

GINO



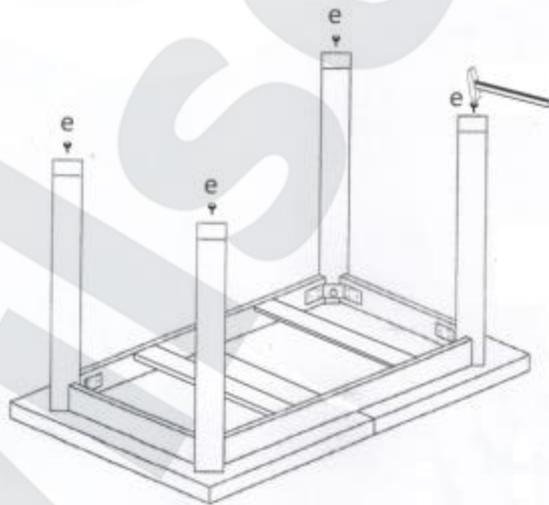
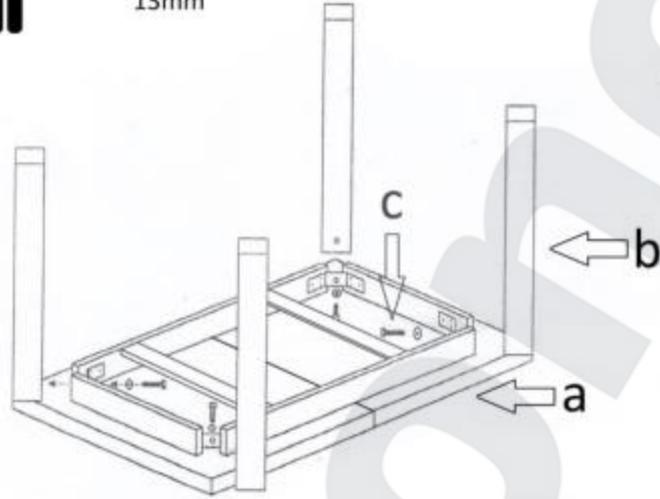
+



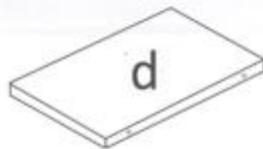
+



+



a		1
b		4
c	 M8x60 + Ø 22mm	4
d		1
e		4



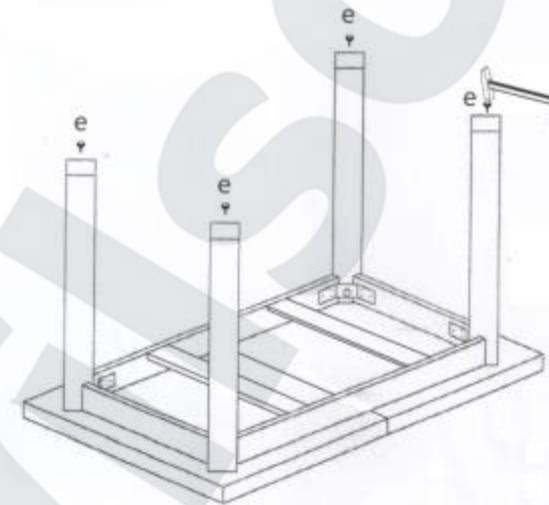
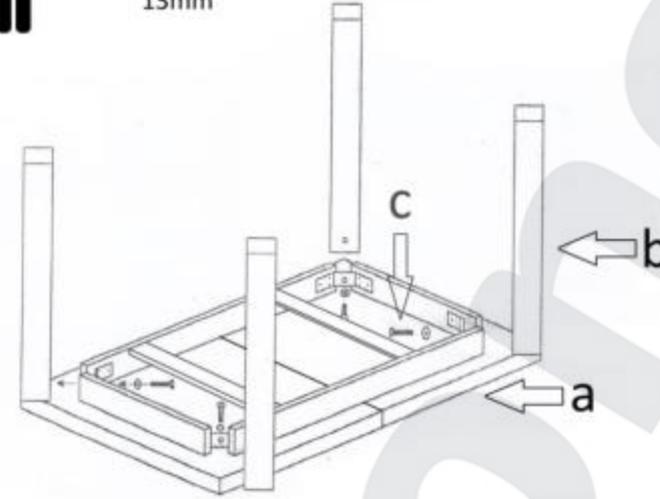
+



+



+



a		1
b		4
c	 M8x60 + Ø 22mm	4
d		1
e		4

