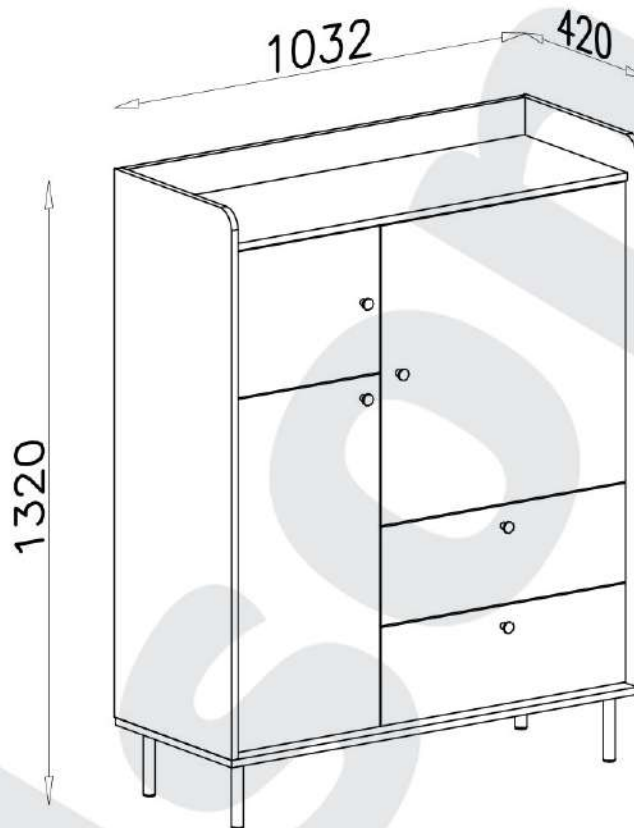
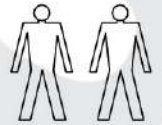
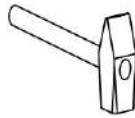
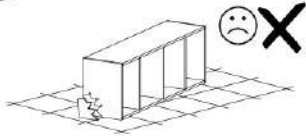
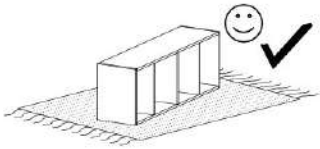

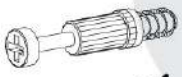






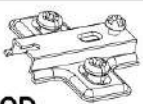
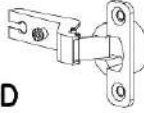


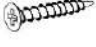

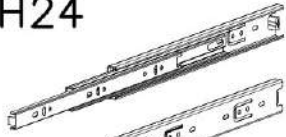




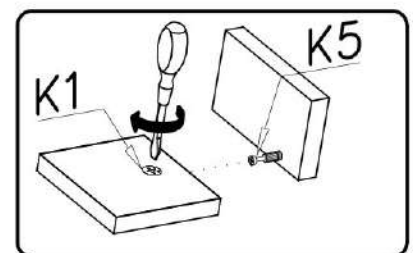
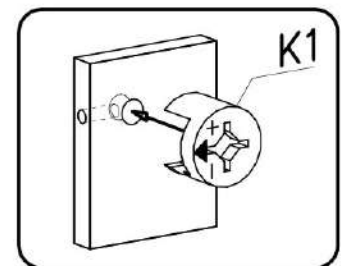
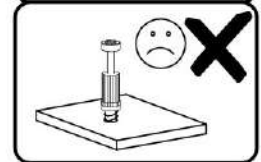
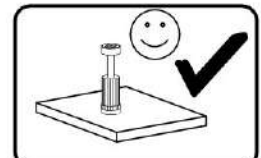
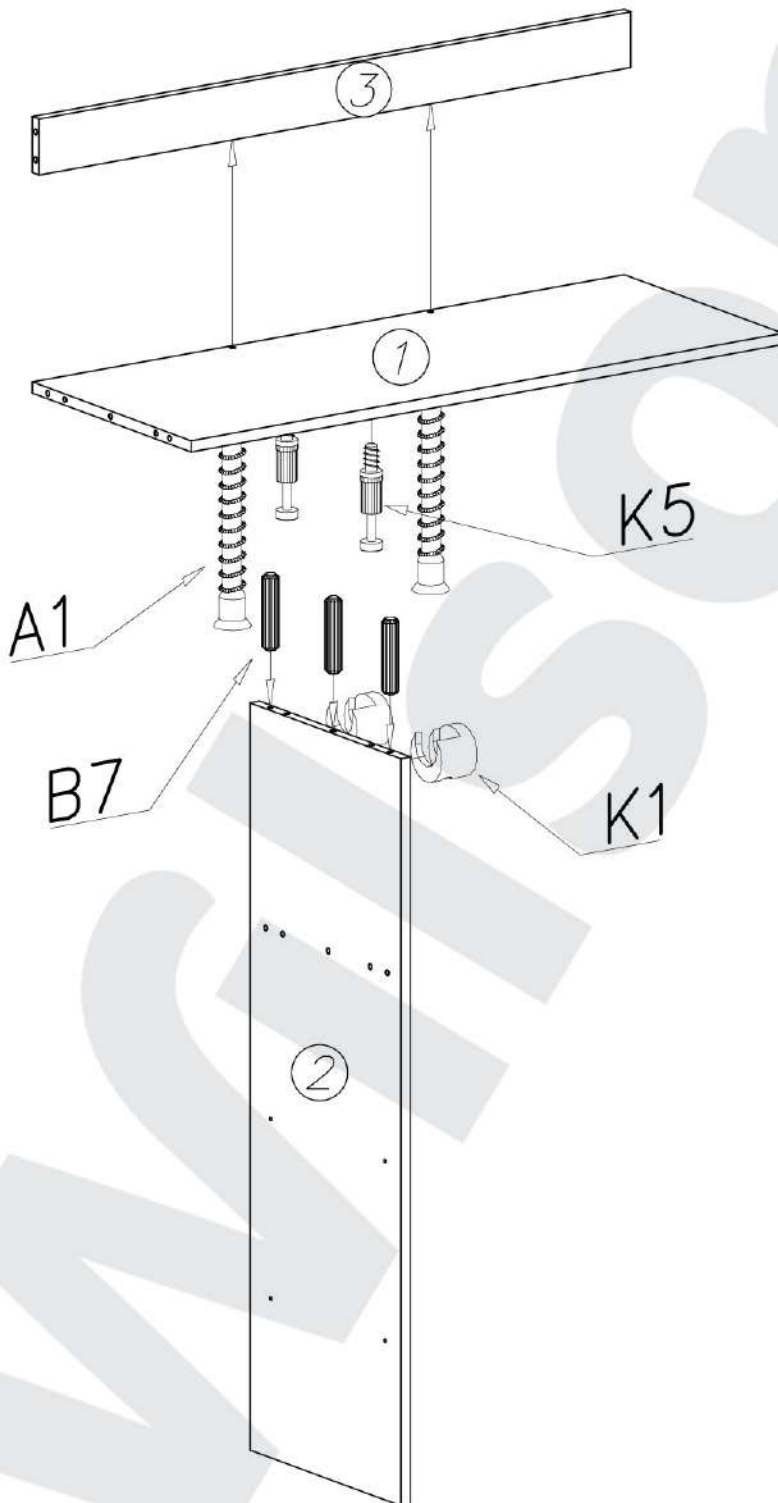
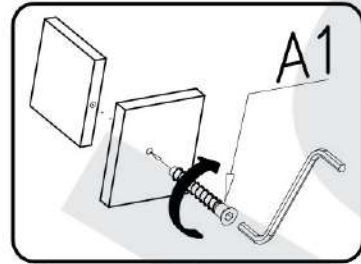
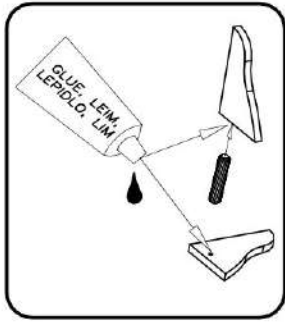
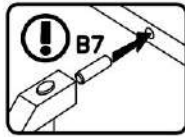


GRANDE GR 1

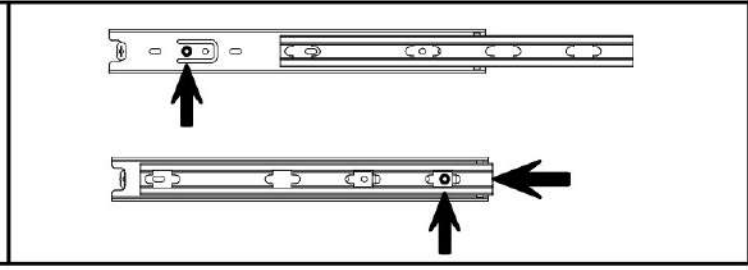
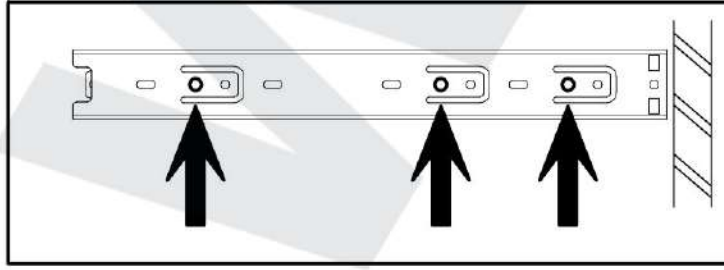
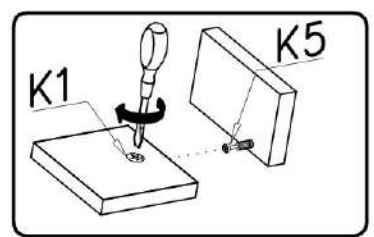
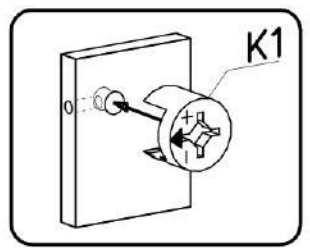
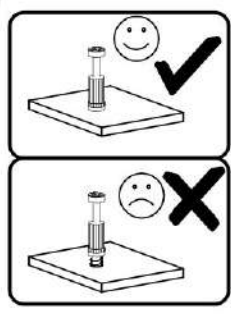
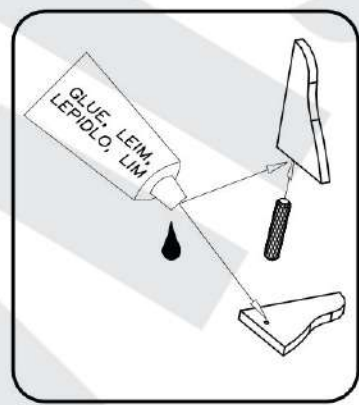
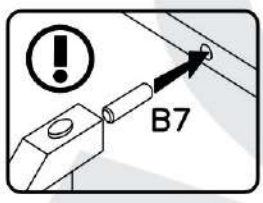
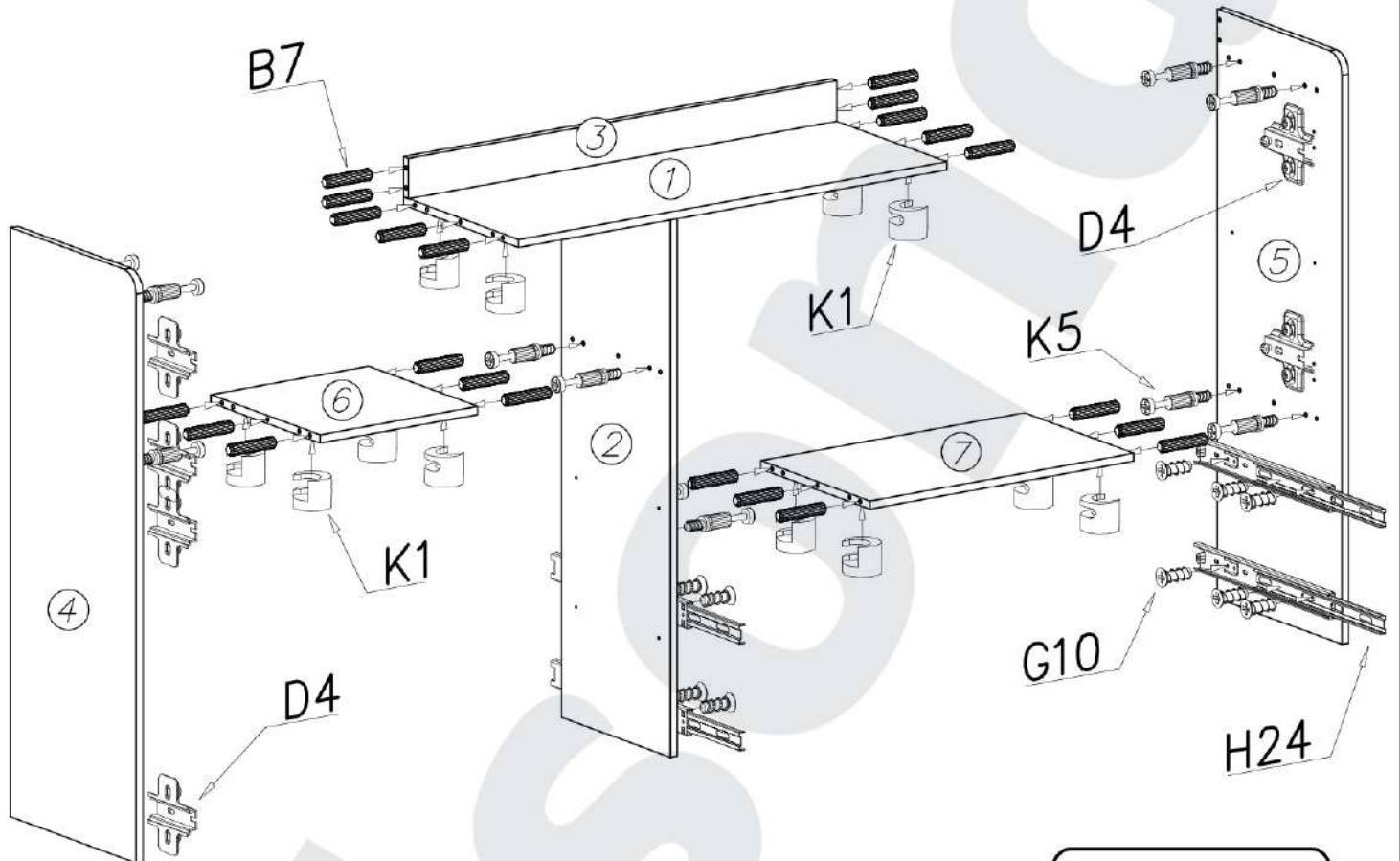
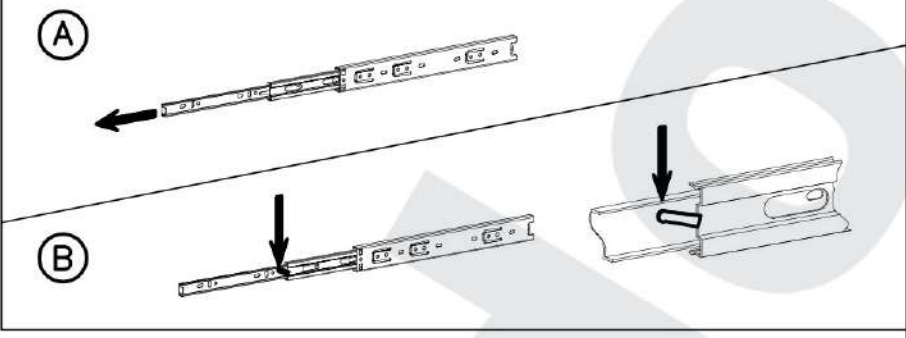
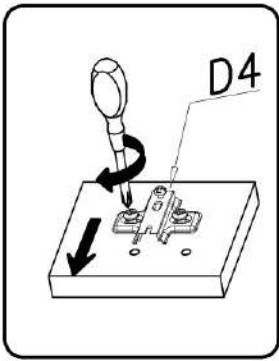


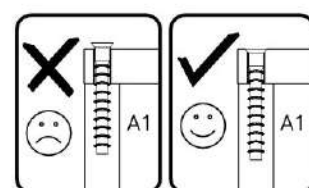
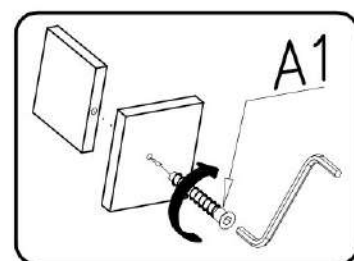
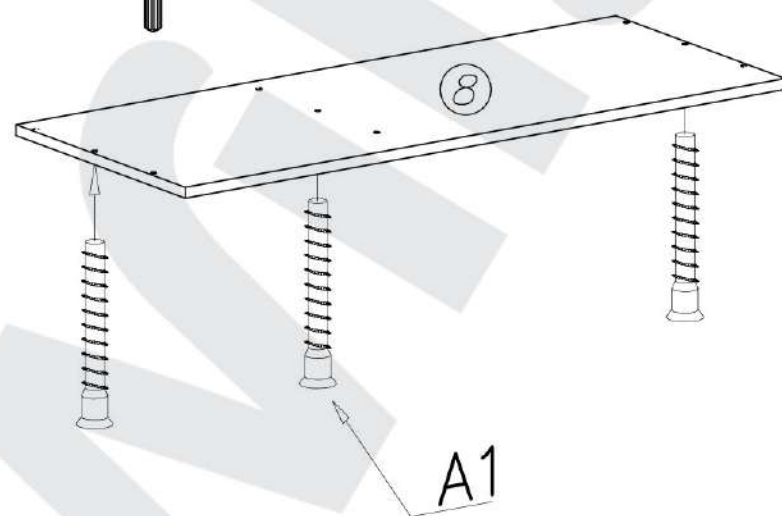
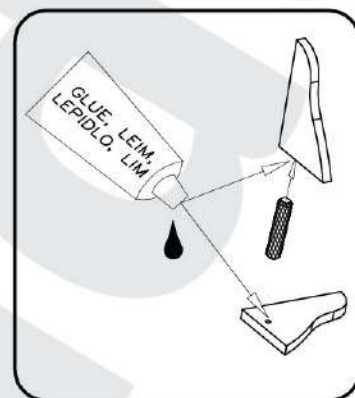
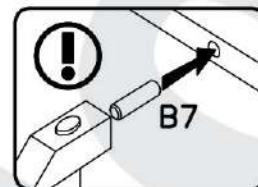
				I7  ø18 x14
K5  x14	K1  ø15x12 x14	S2  x11	S9  x4	P6  x4
N13  M4x22 x5	W1  x3	D4  PZ350D x6	C4  Z350D x6	
E11  x5	G4  4x16 x24	G2  3x20 x50	F1  x13	H24  350mm x2
A1  ø7x50 x5	B7  ø8x30 x47	W2  x1	G1  4x13 x20	

I

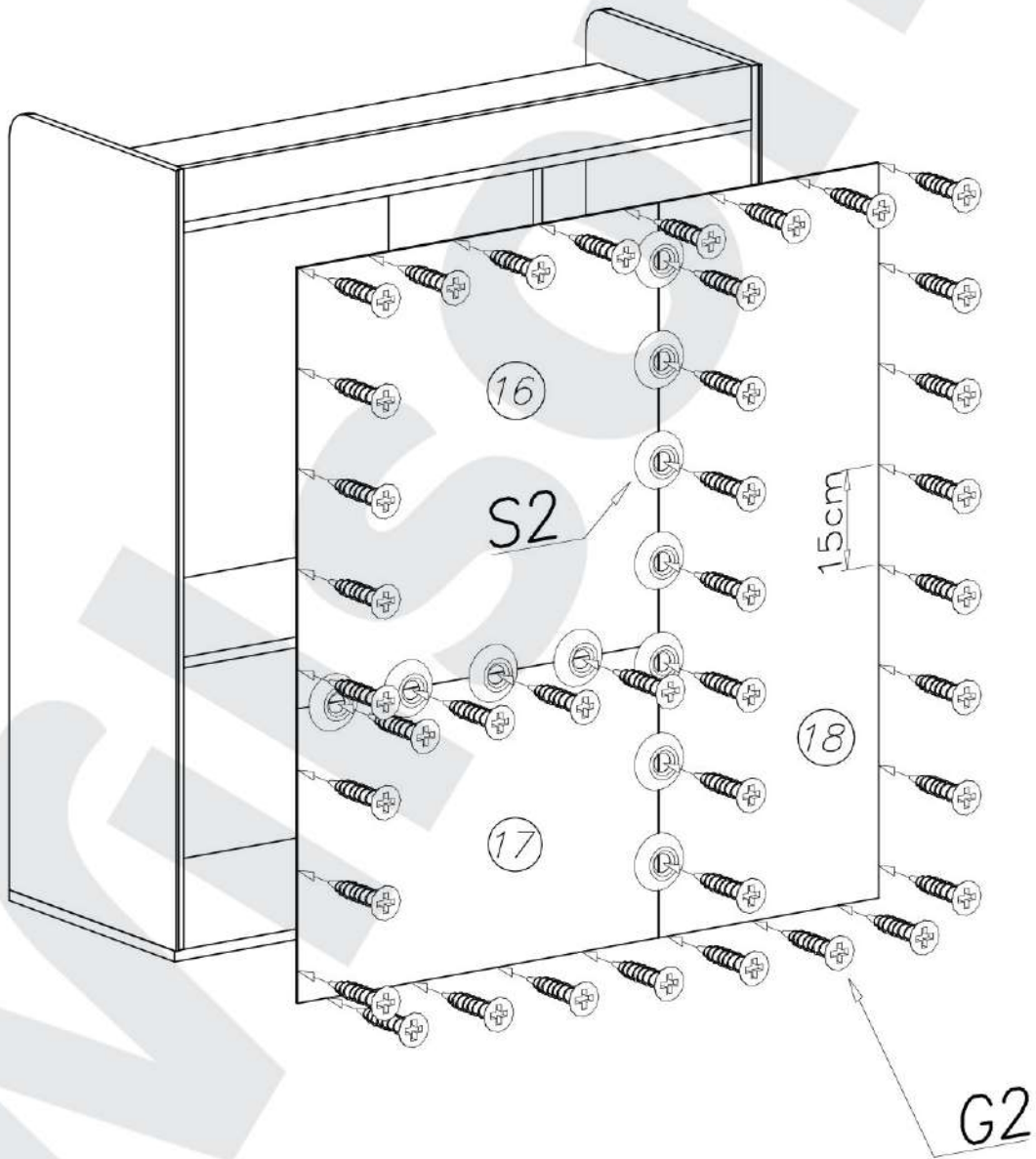
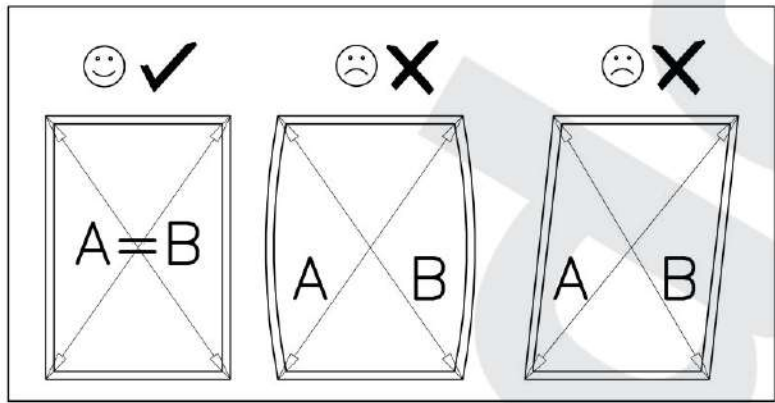


II

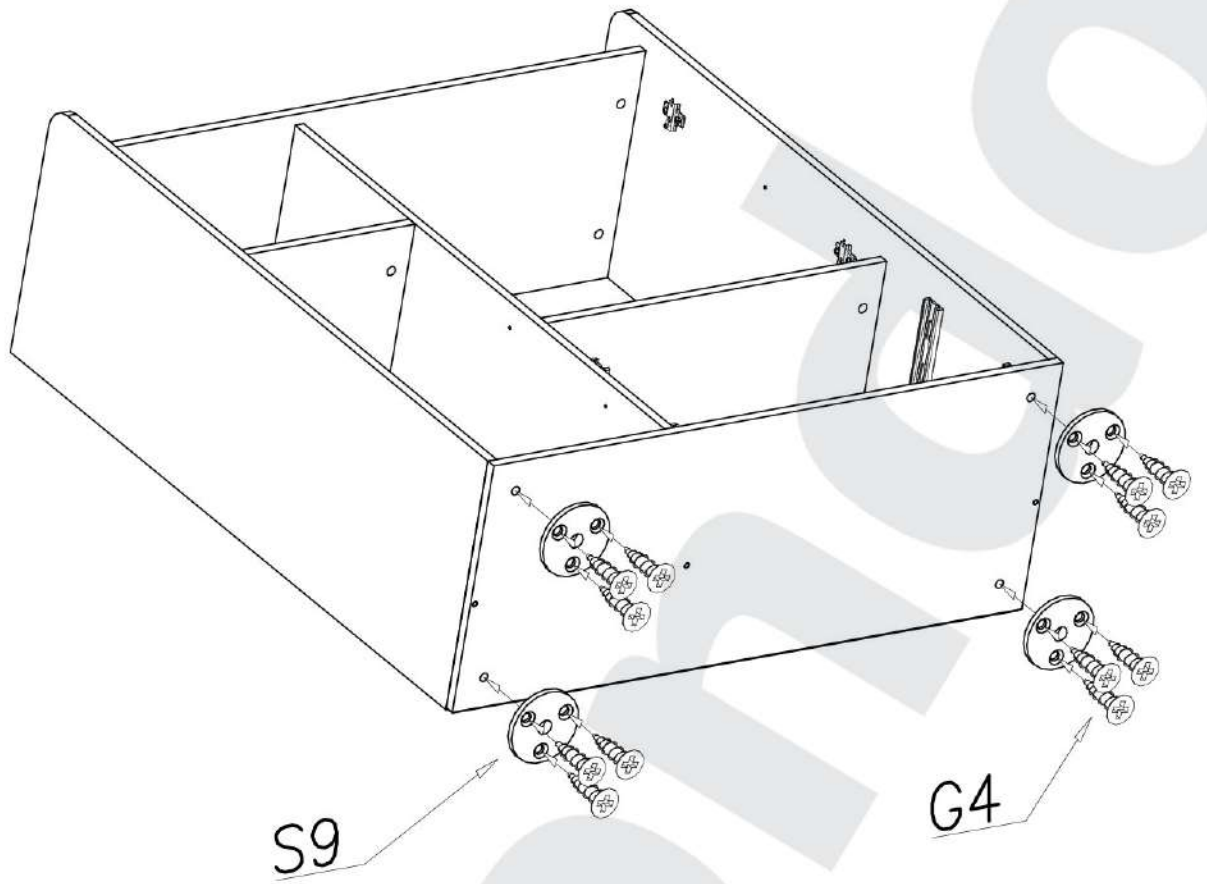




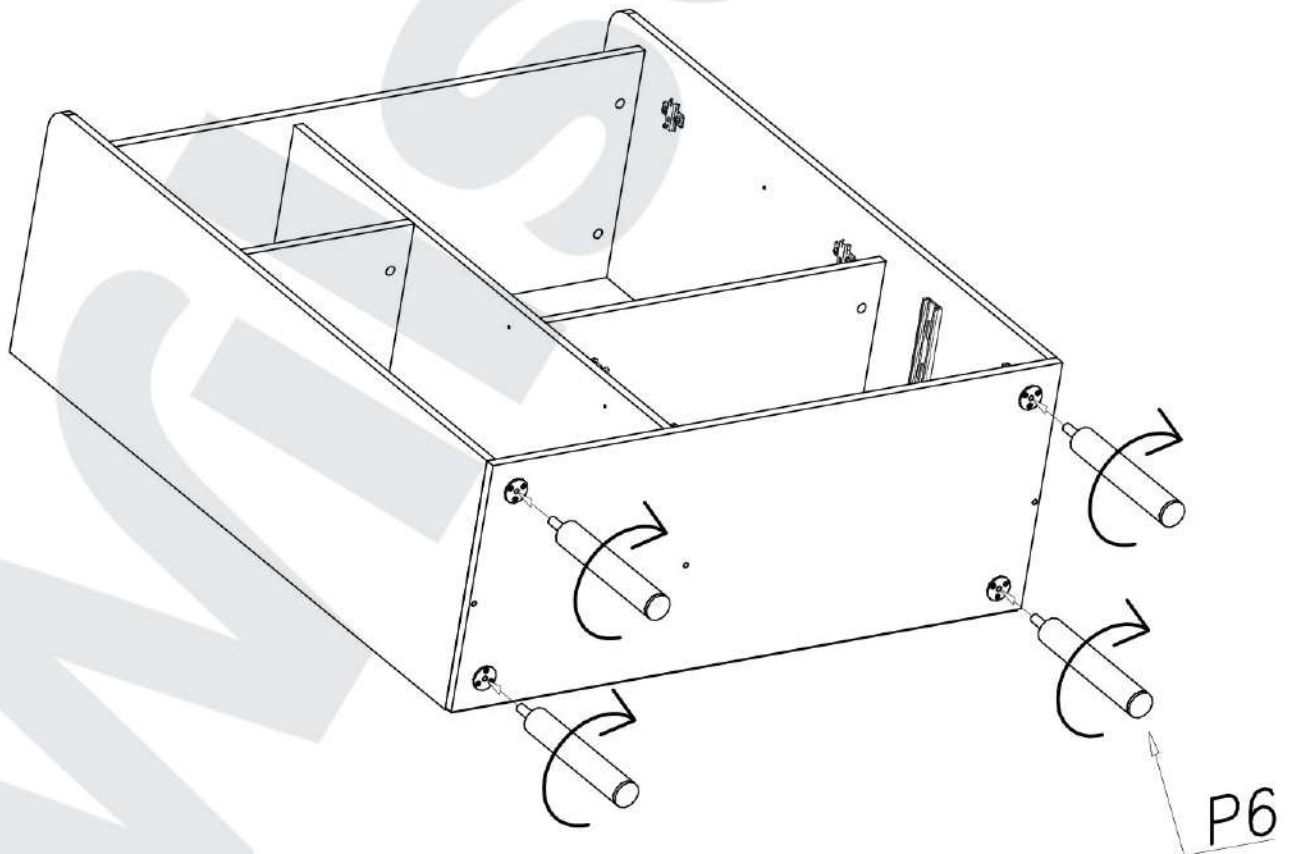
IV



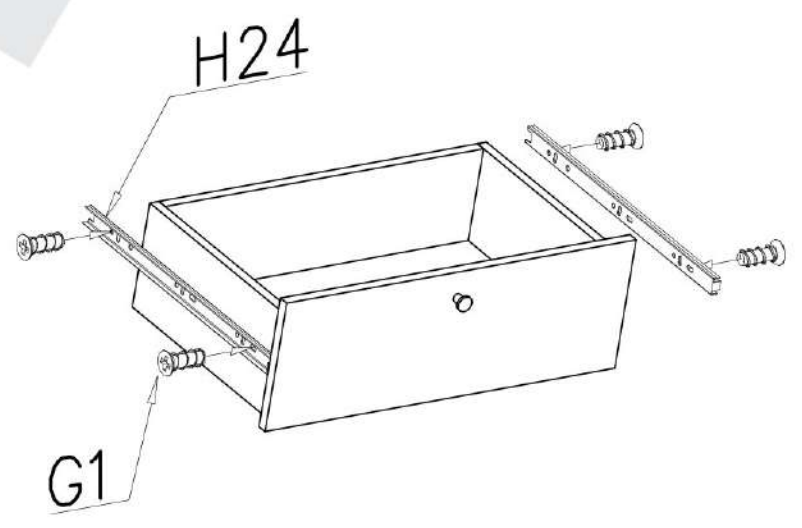
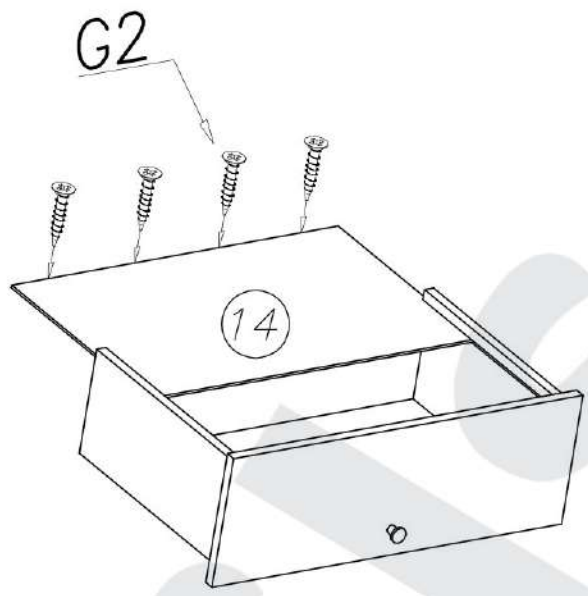
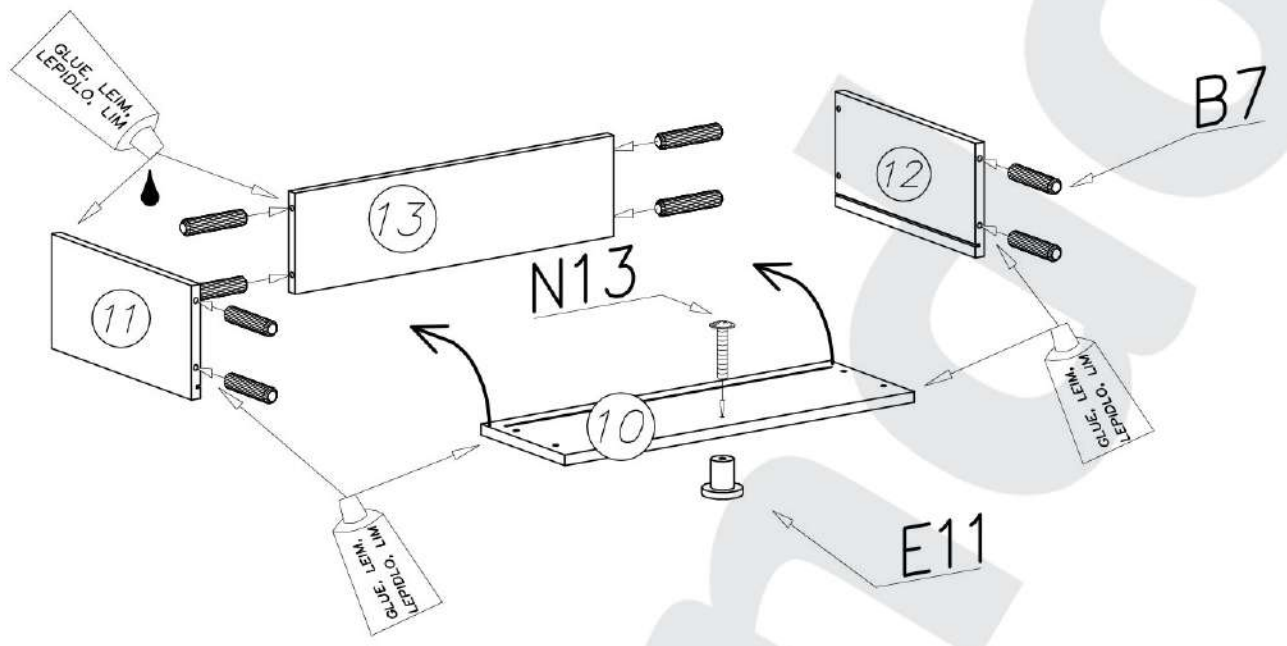
V

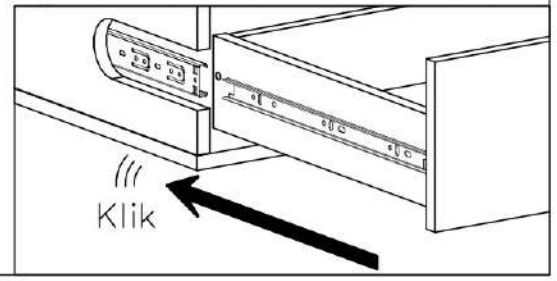
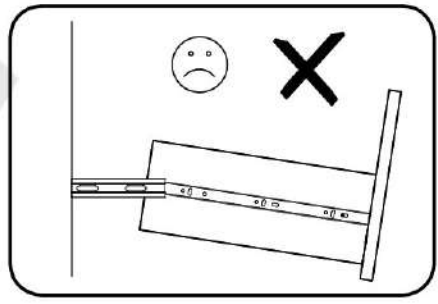
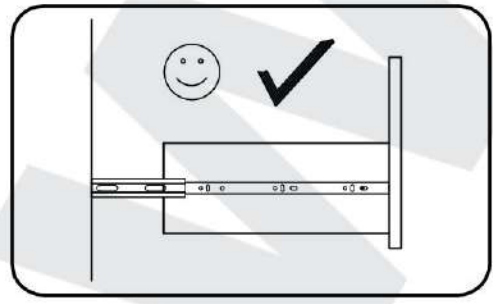
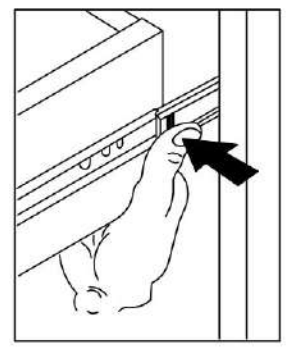
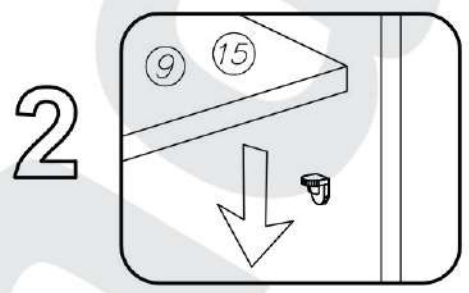
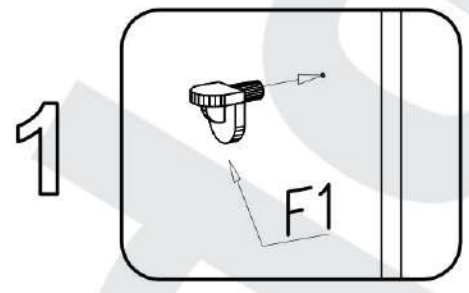
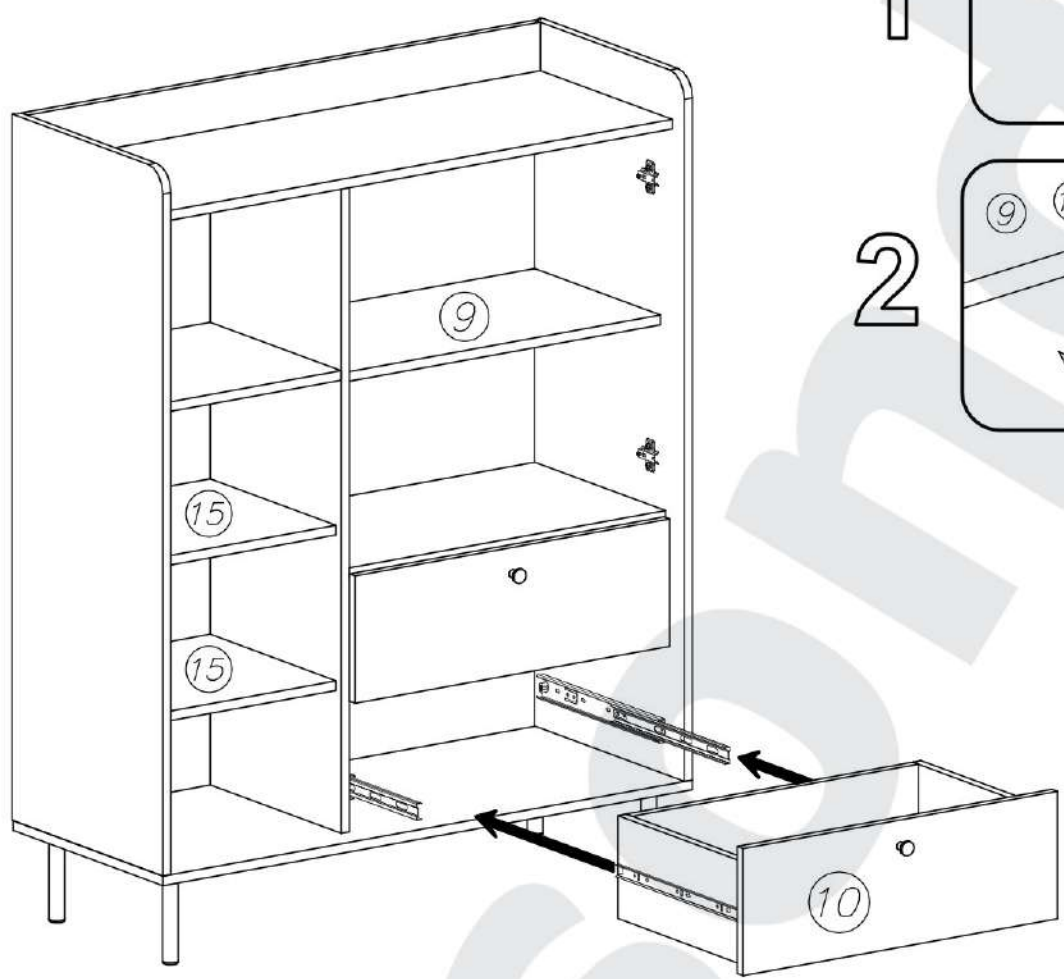


VI



VII





IX

