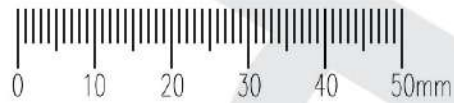
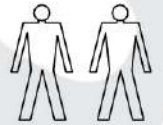
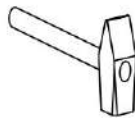
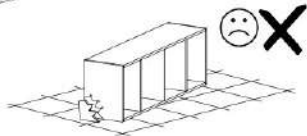
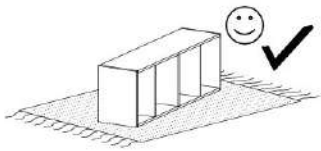
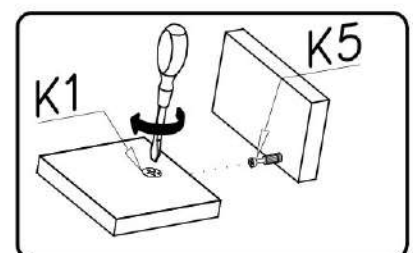
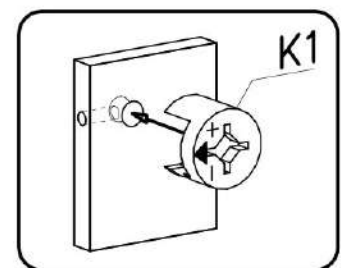
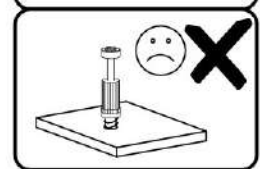
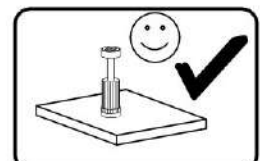
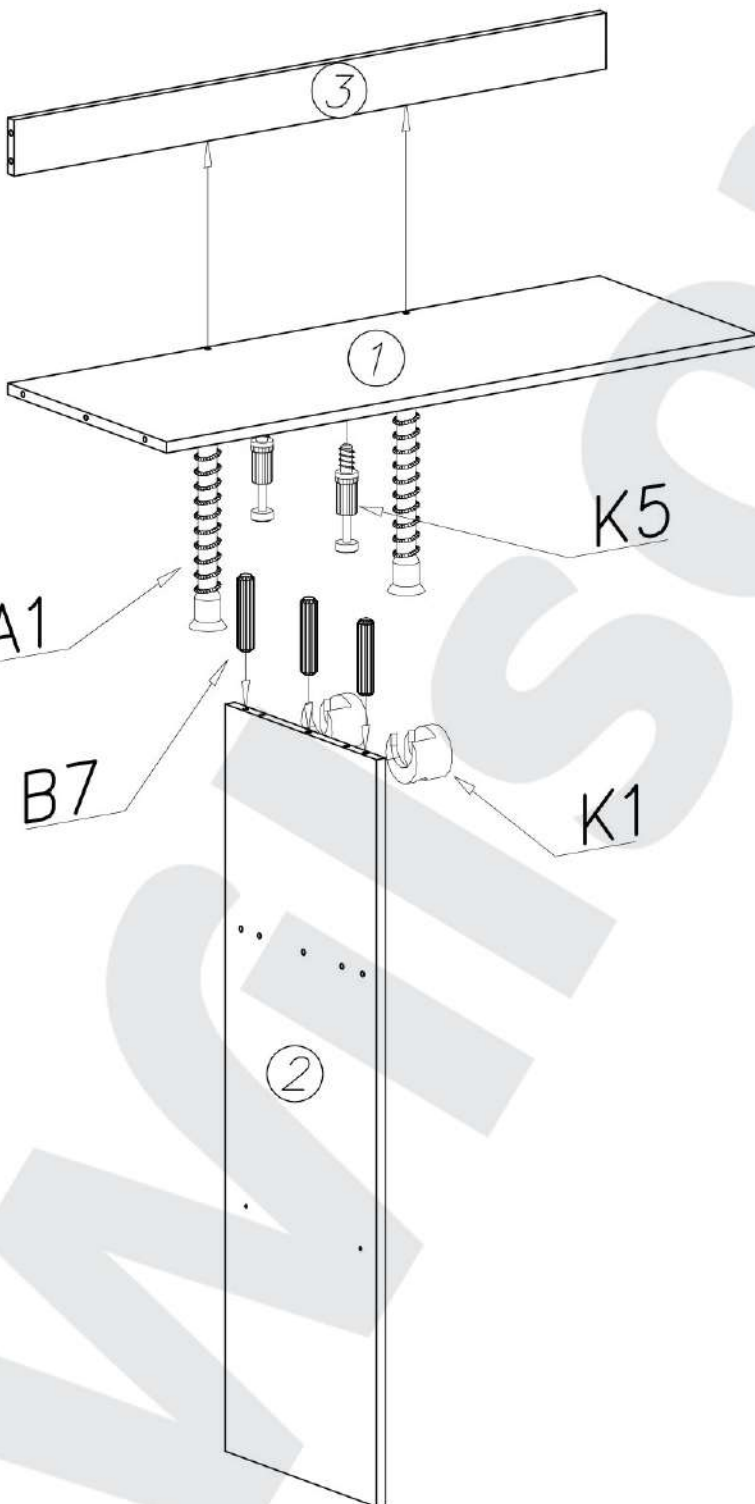
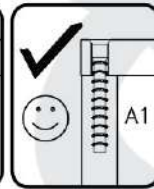
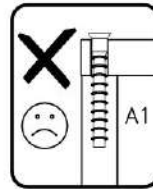
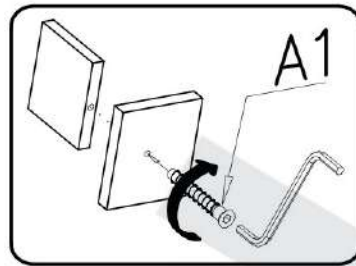
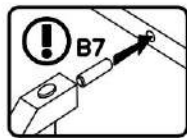


GRANDE GR 2

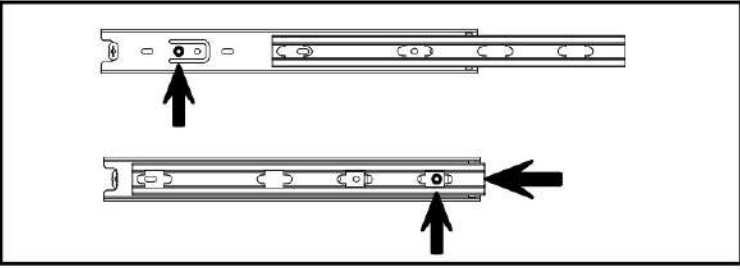
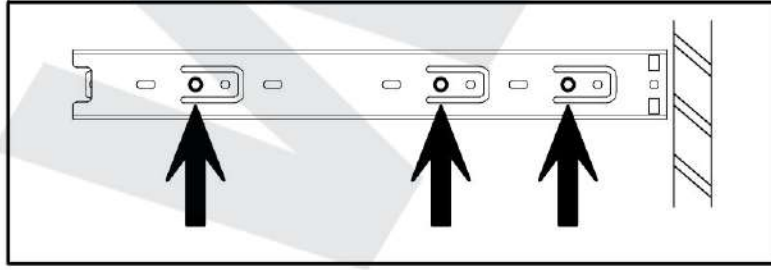
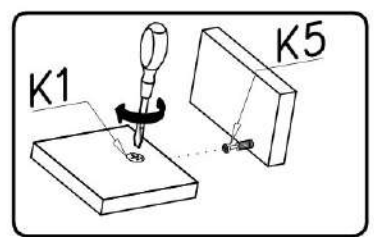
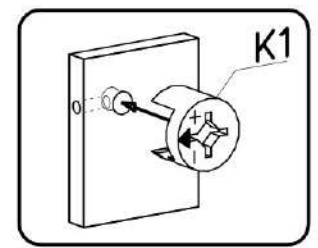
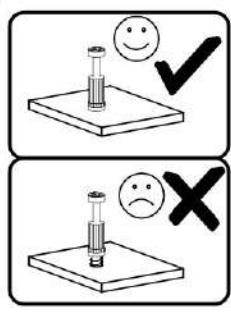
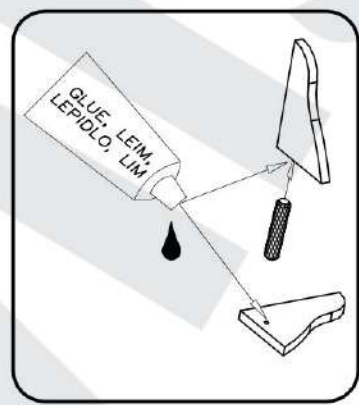
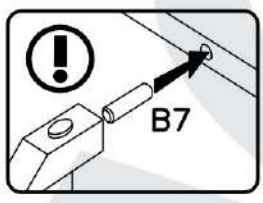
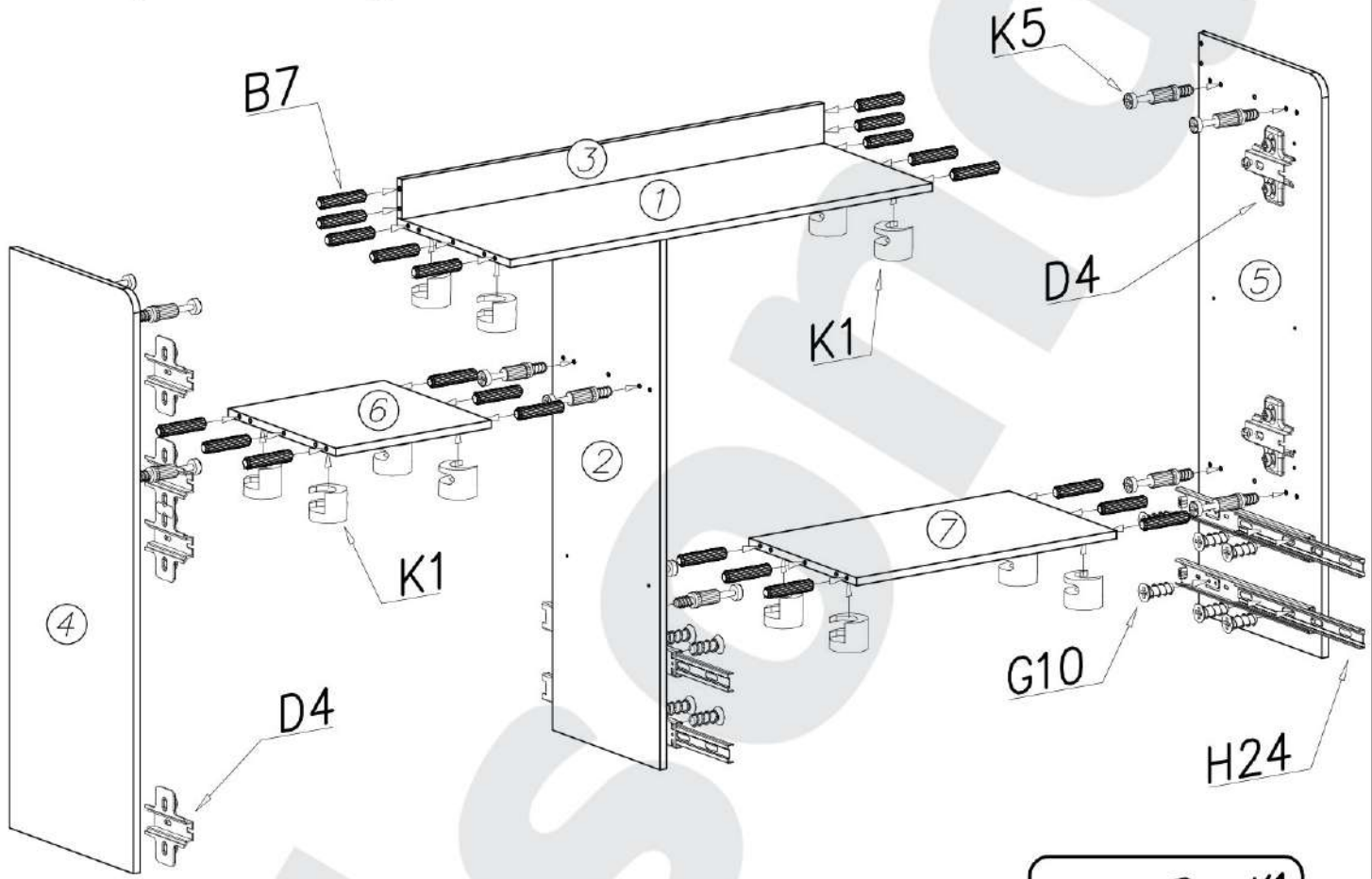
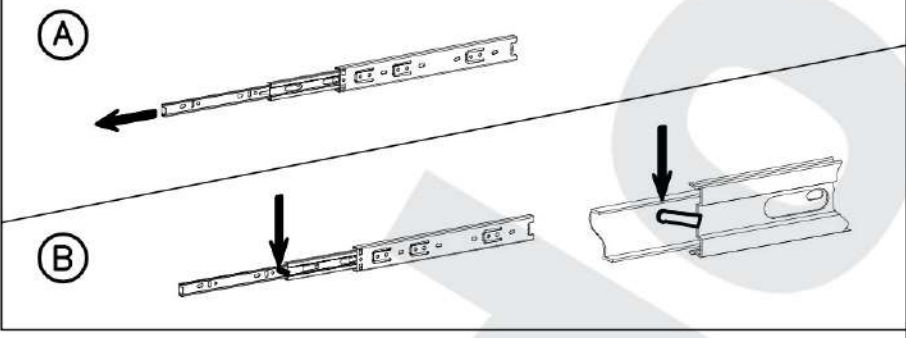
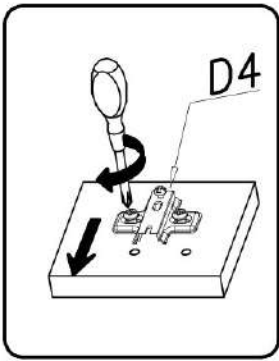


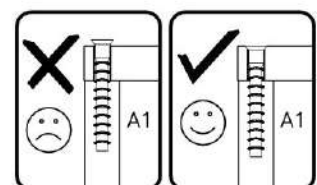
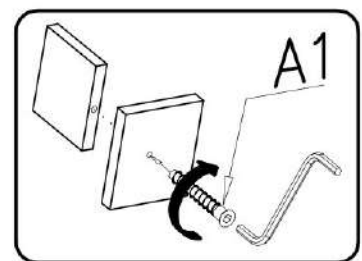
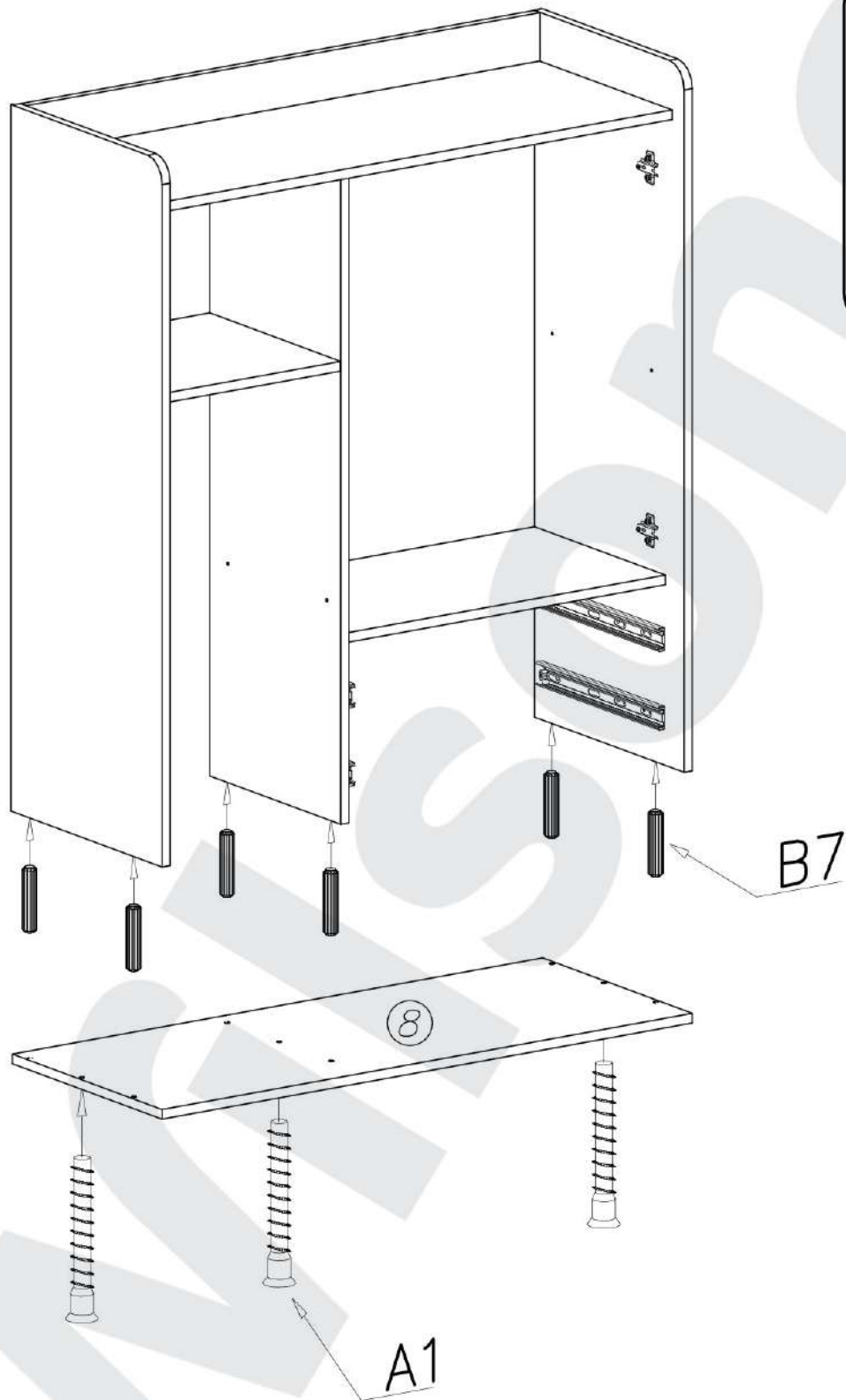
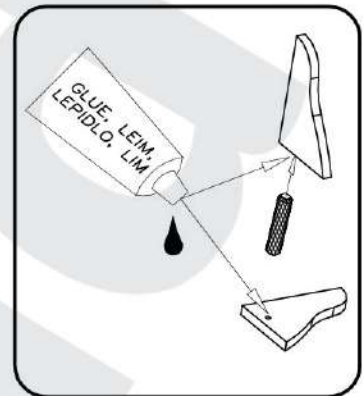
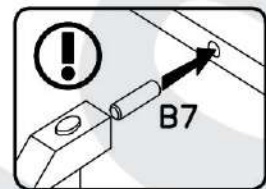
		I7 ø18 x14	K5 x14	K1 ø15x12 x14
I3 x6	G11 4x20 x6	S2 x11	S9 x4	P6 x4
N13 M4x22 x5	W1 GLUE, LEIM, LEPIDLO, LJM x3	D4 PZ350D x6	C4 Z350D x6	
E11 x5	G4 4x16 x24	G2 3x20 x50	F1 x9	H24 x2
A1 ø7x50 x5	B7 ø8x30 x47	W2 x1	G1 4x13 x20	350mm x2

1

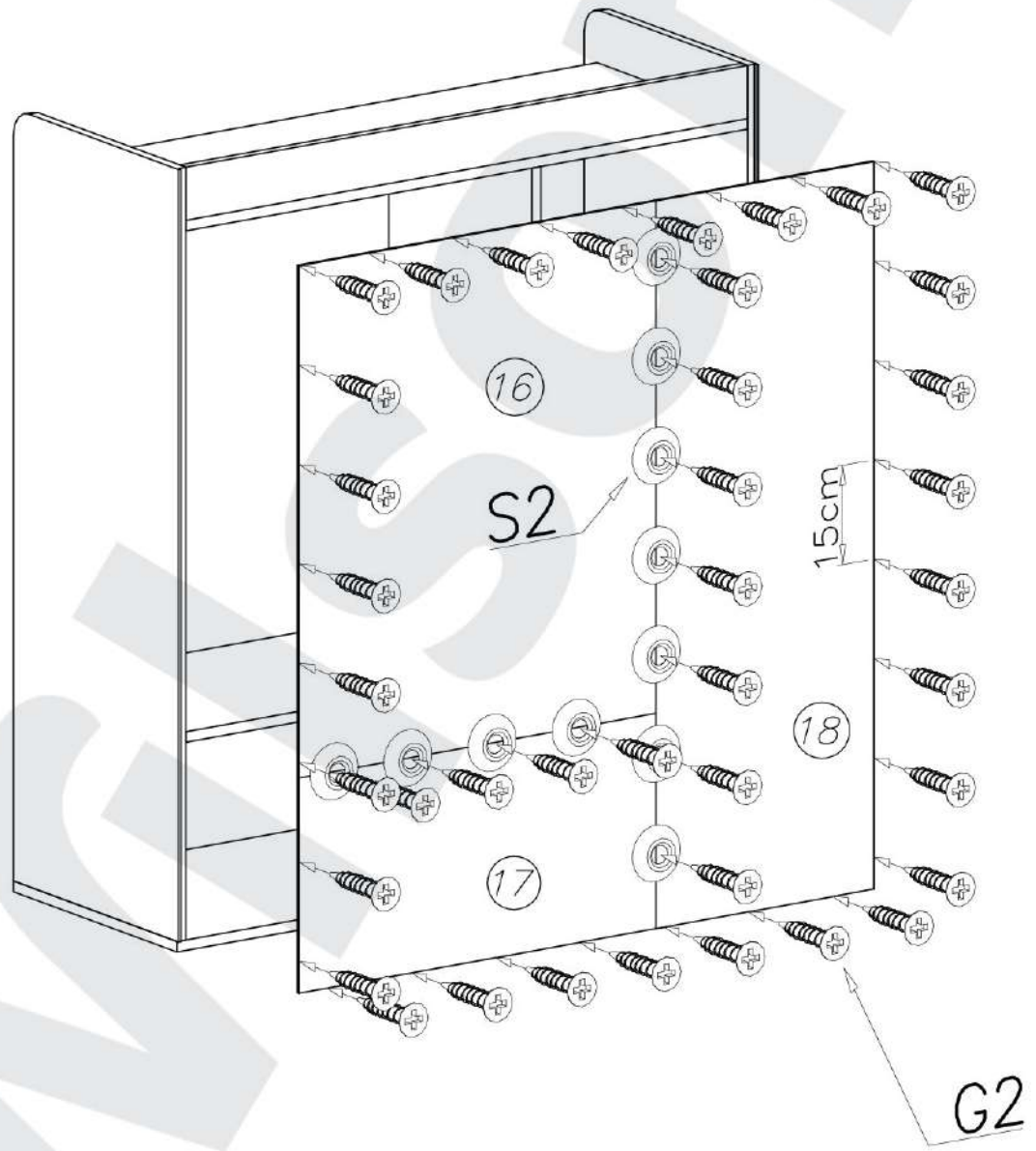
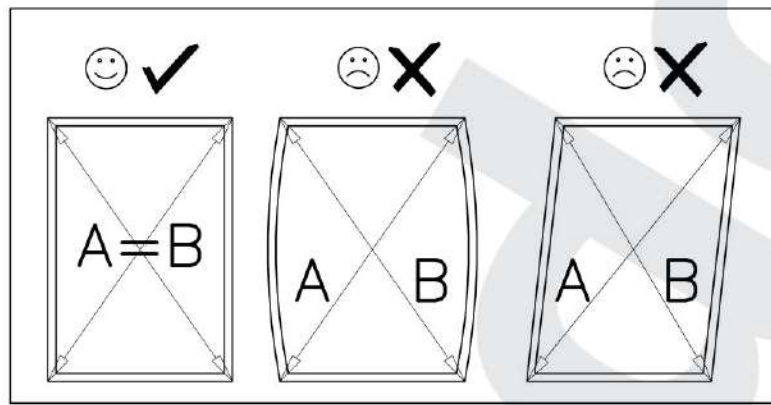


II

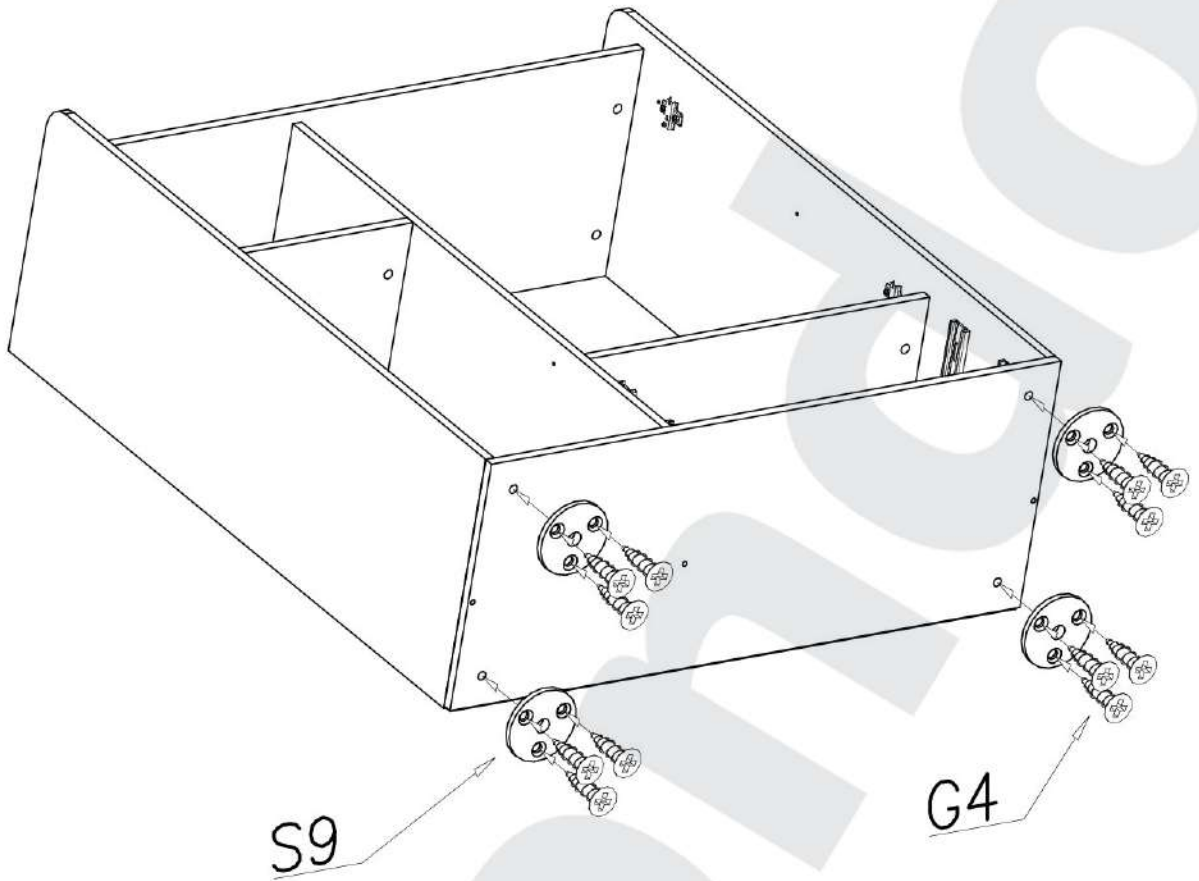




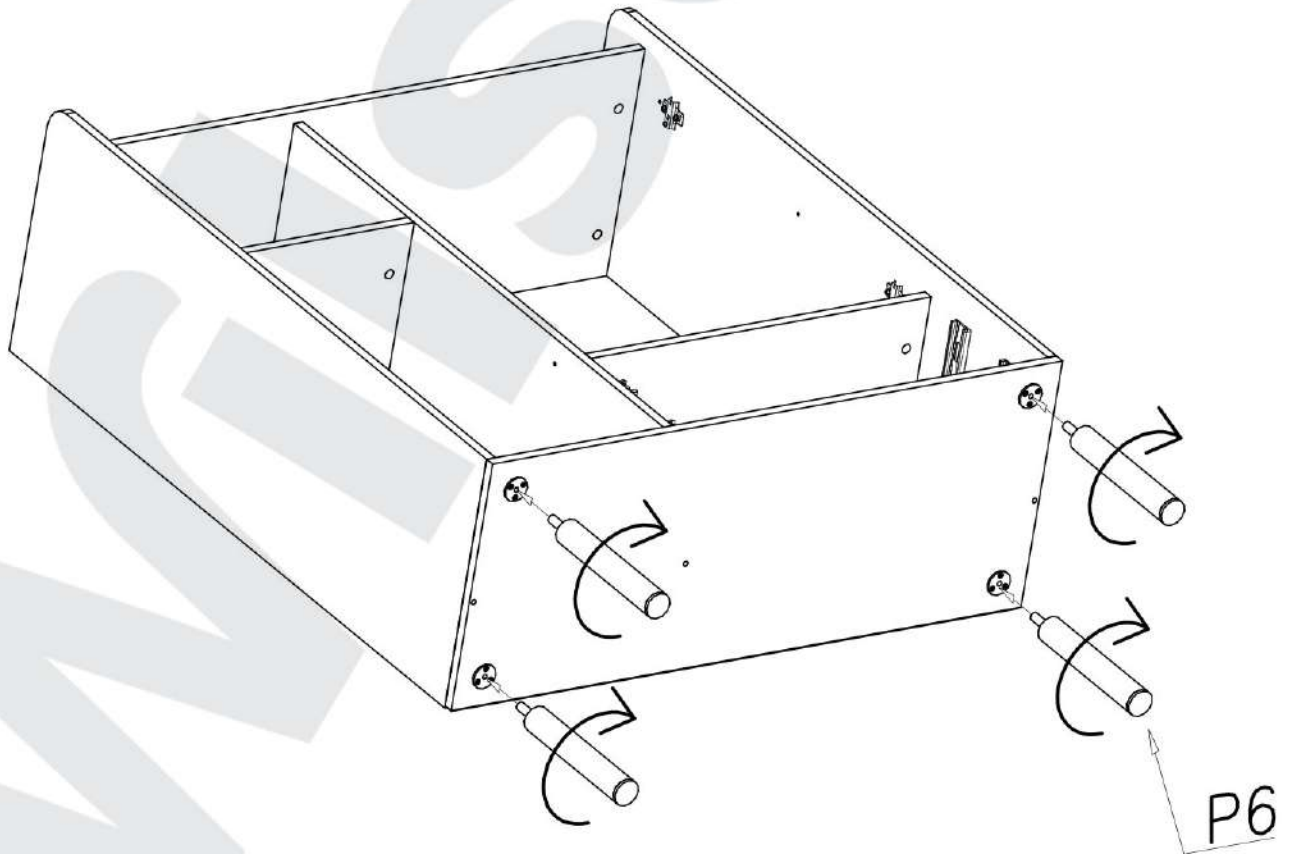
IV



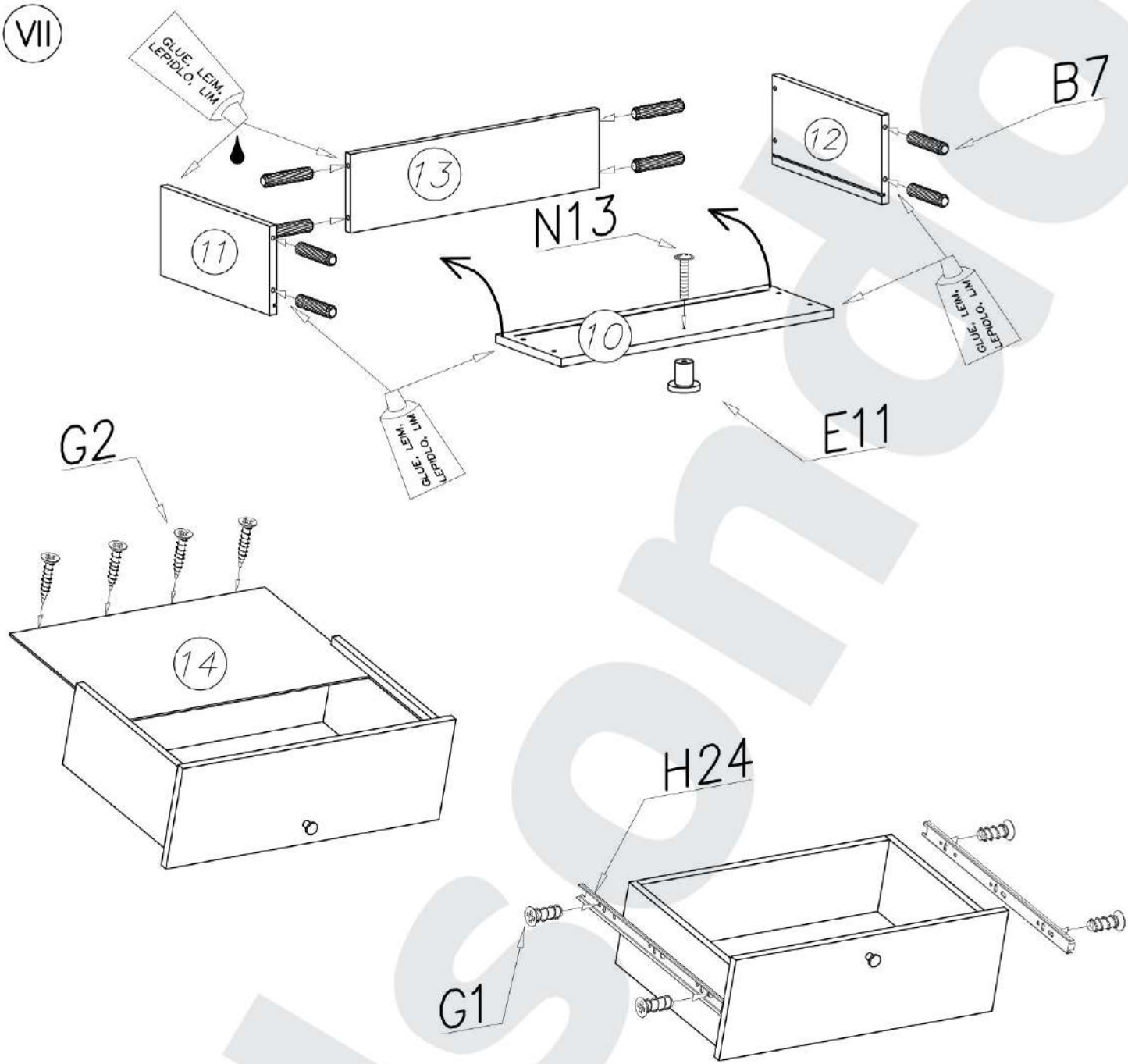
V



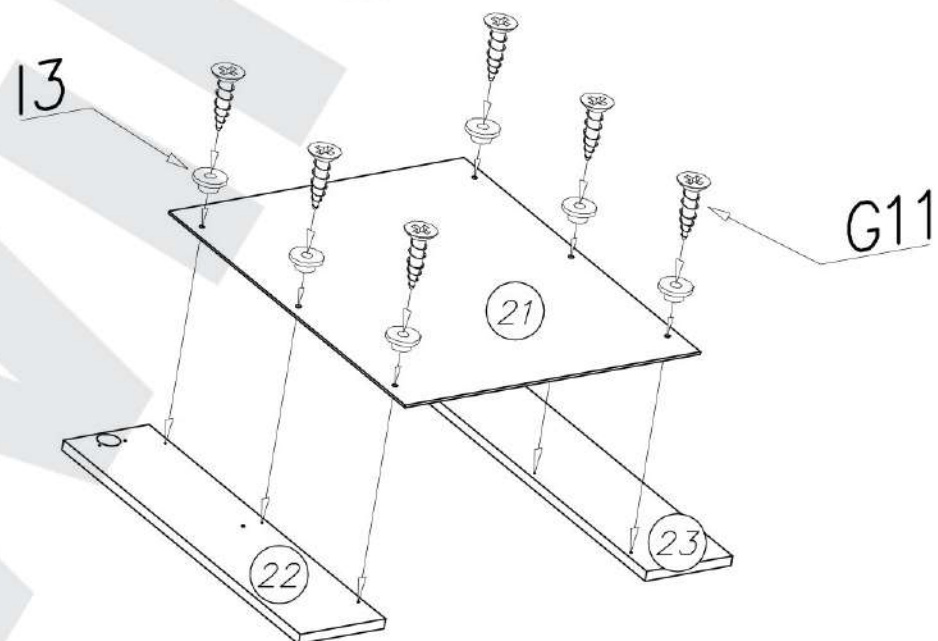
VI



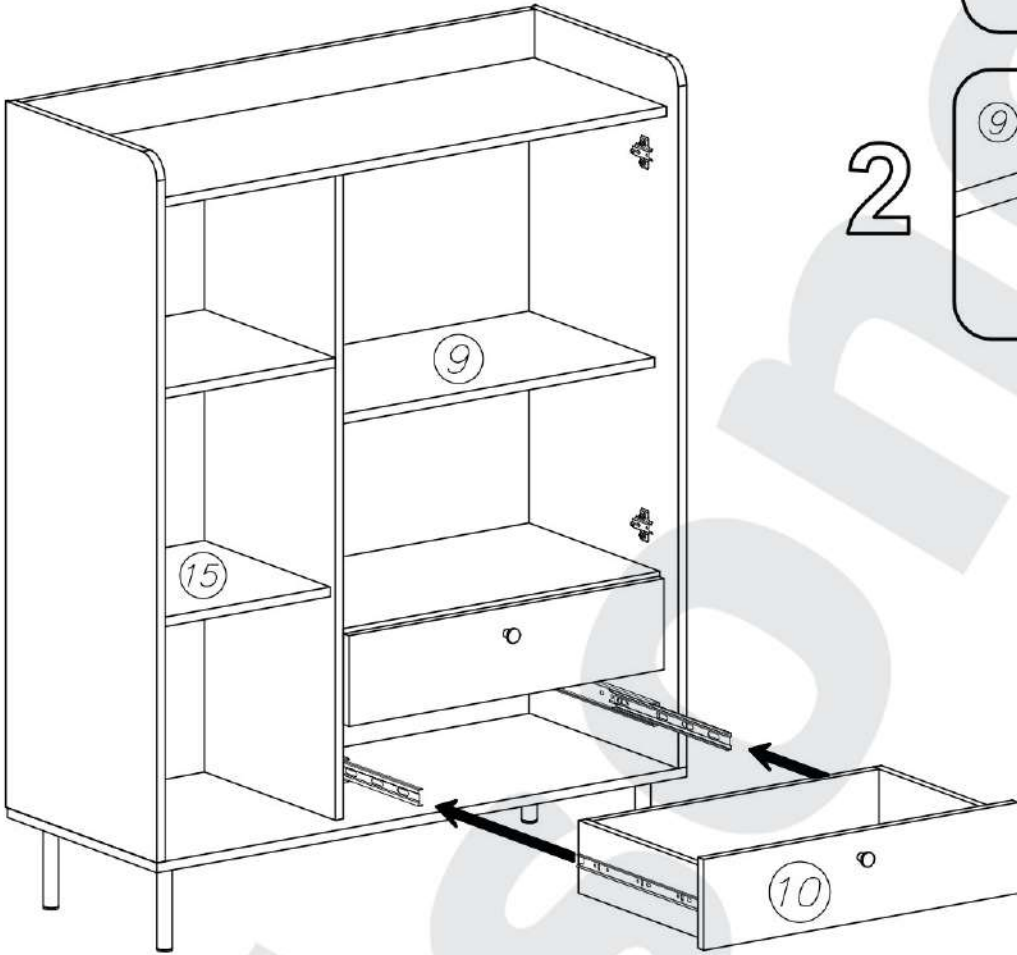
VII



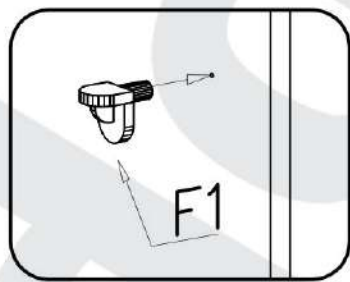
VIII



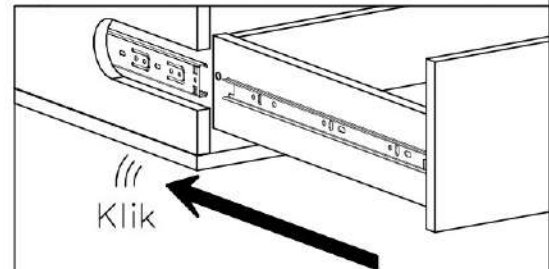
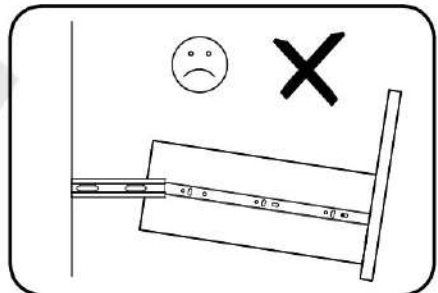
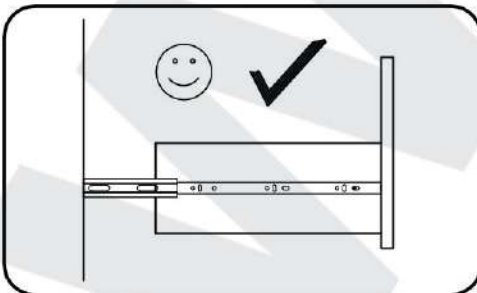
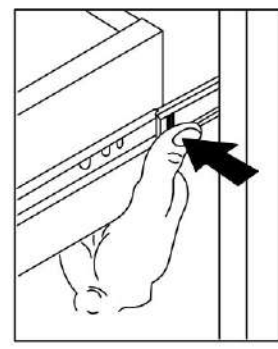
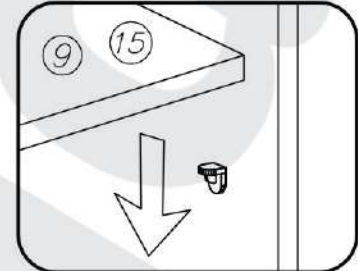
IX



1



2



(X)

