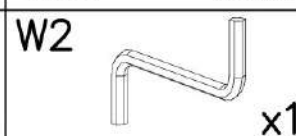
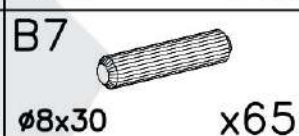
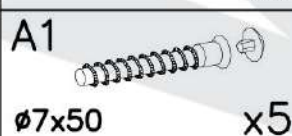
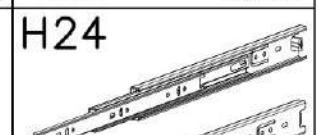
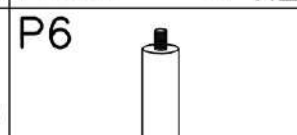
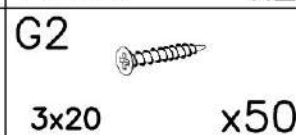
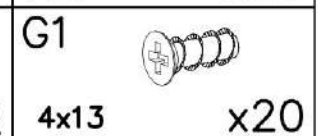
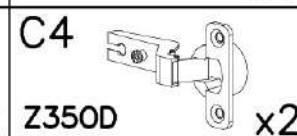
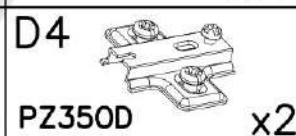
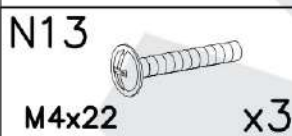
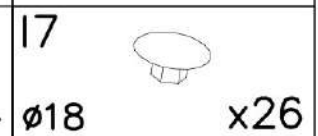
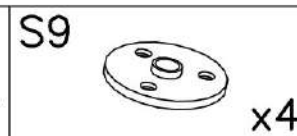
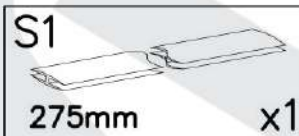
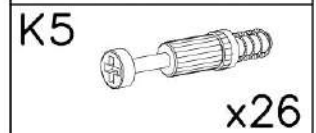
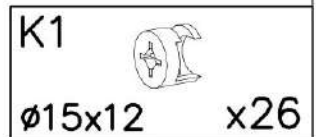
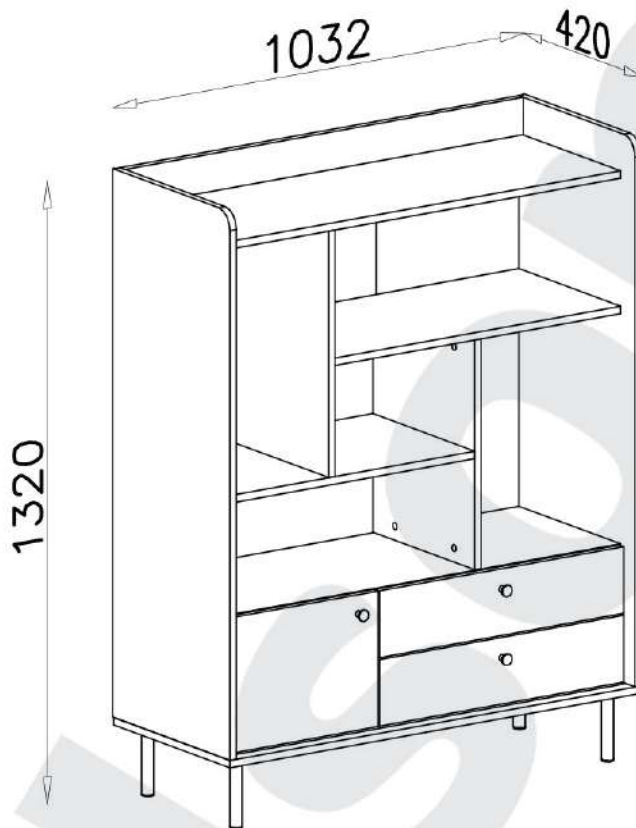
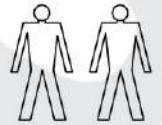
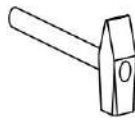
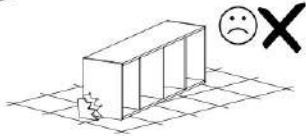
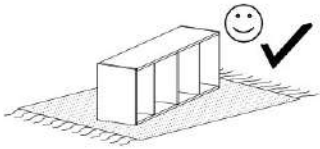
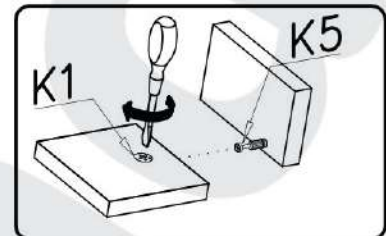
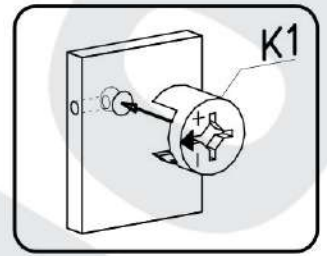
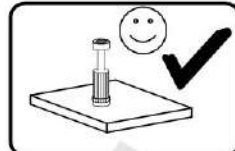
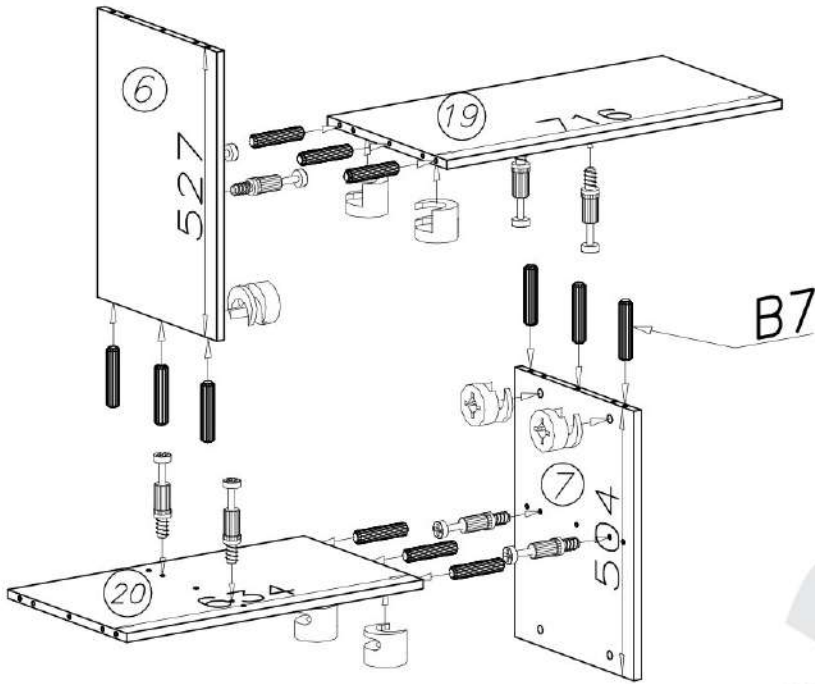


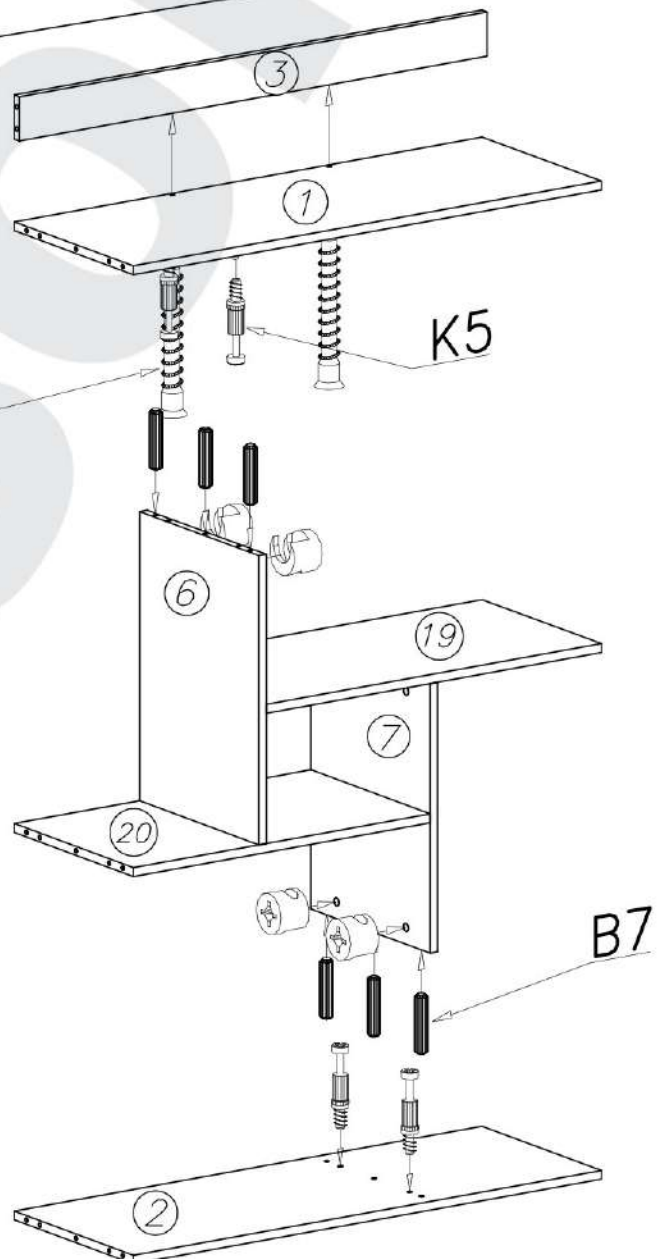
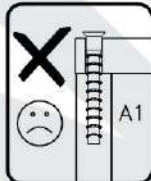
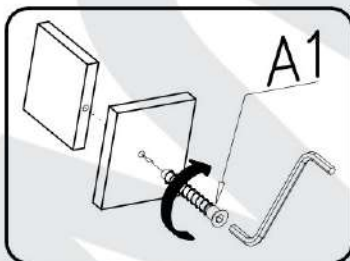
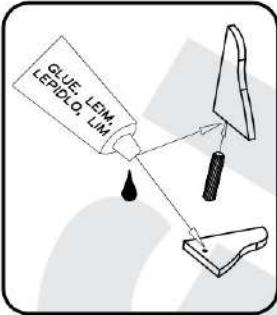
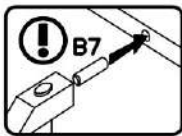
GRANDE GR 3



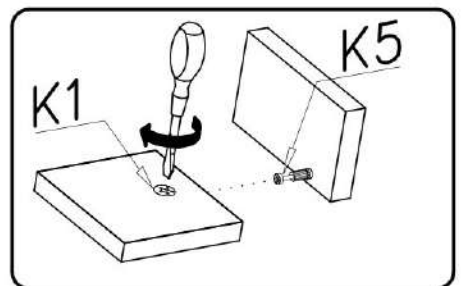
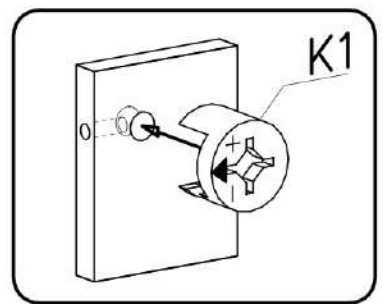
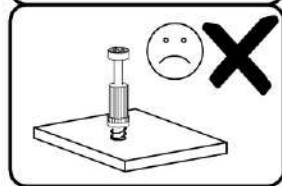
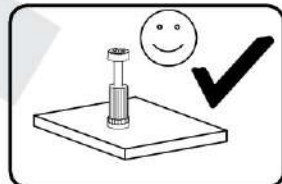
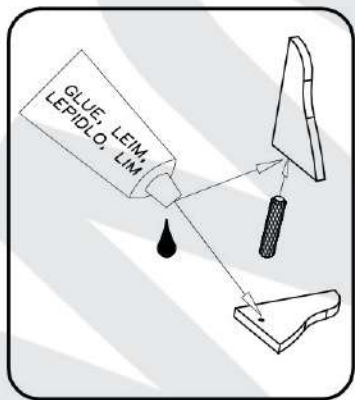
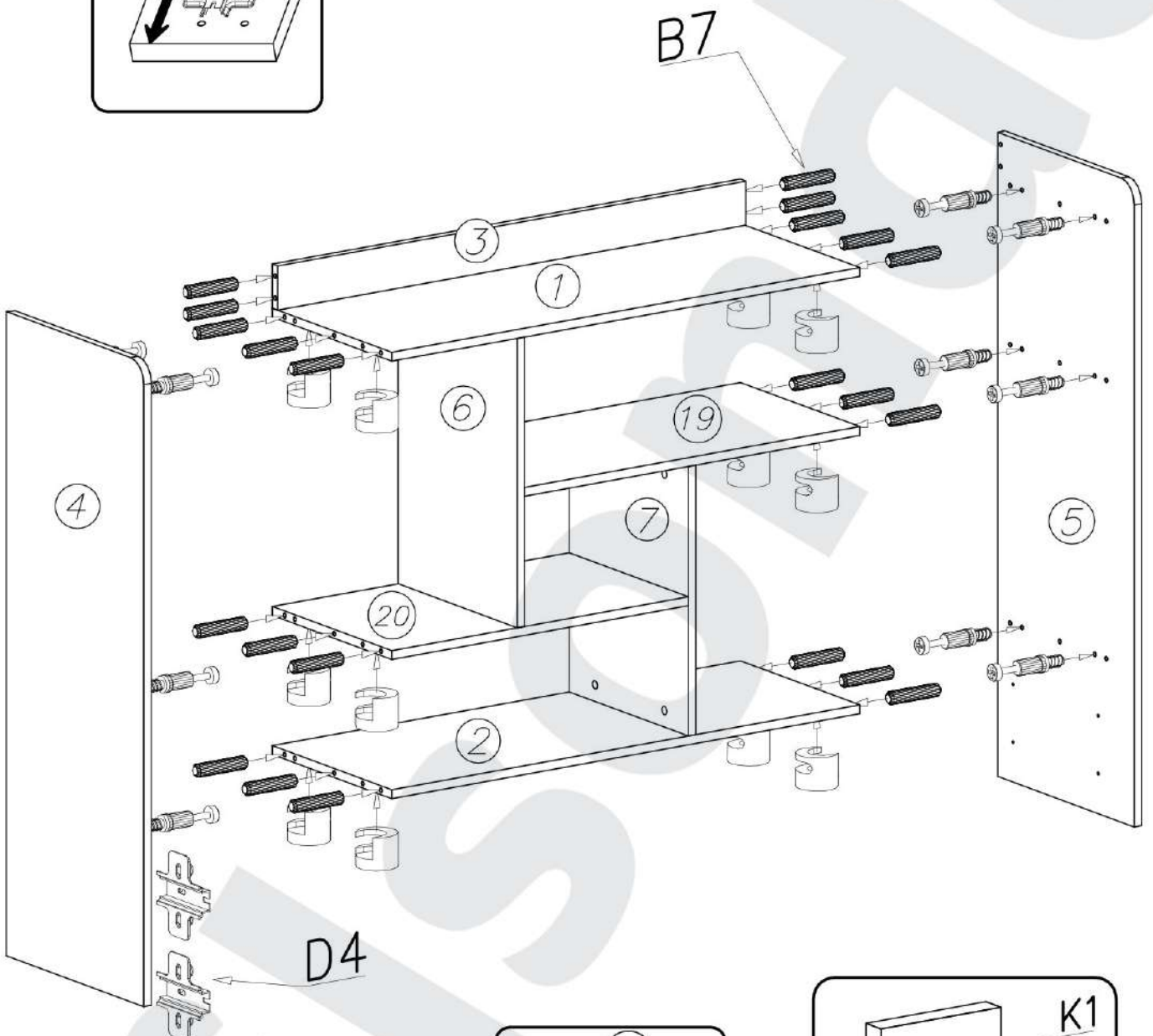
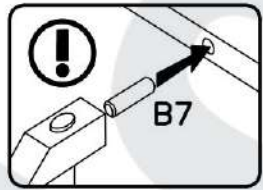
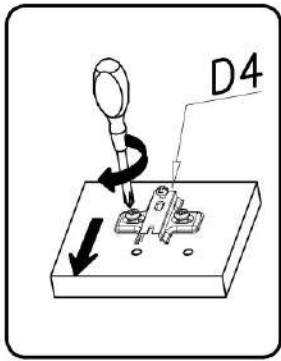
I



II



III

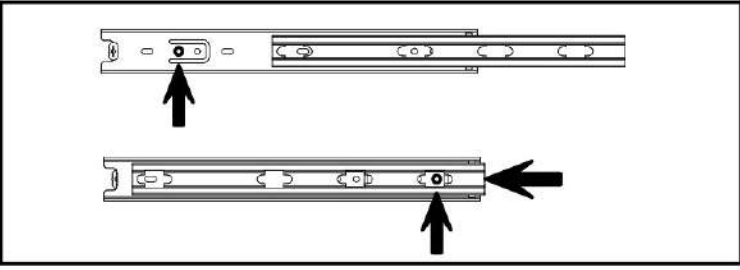
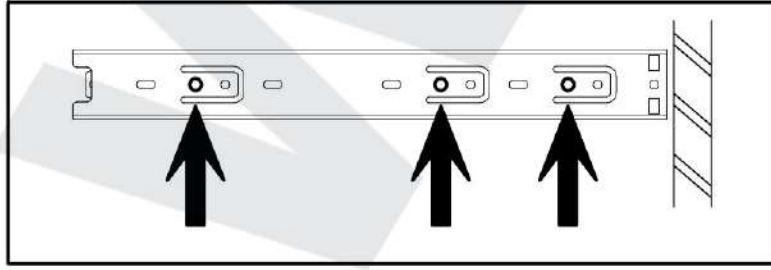
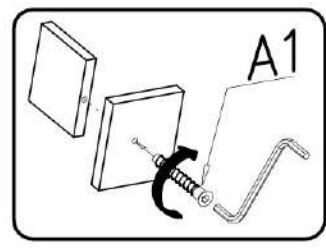
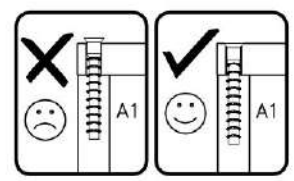
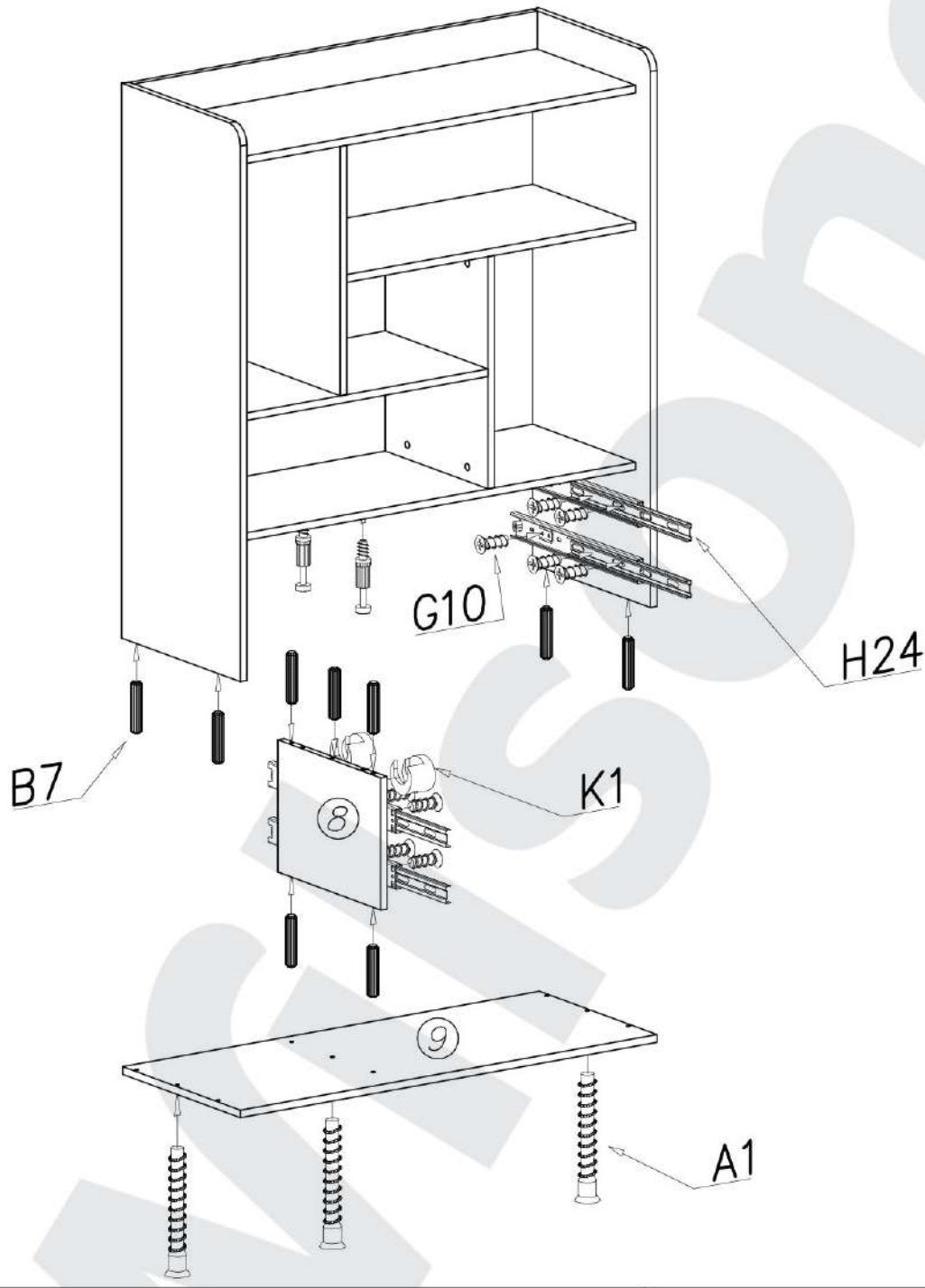
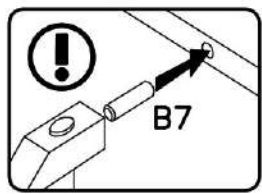
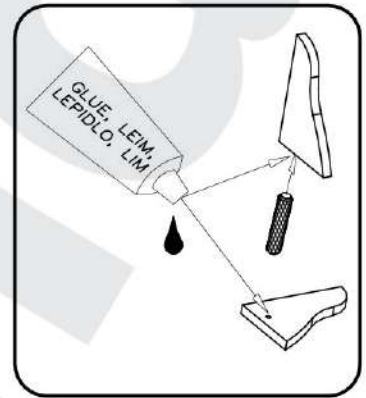
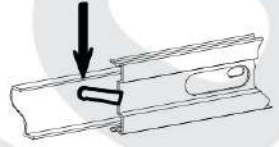


IV

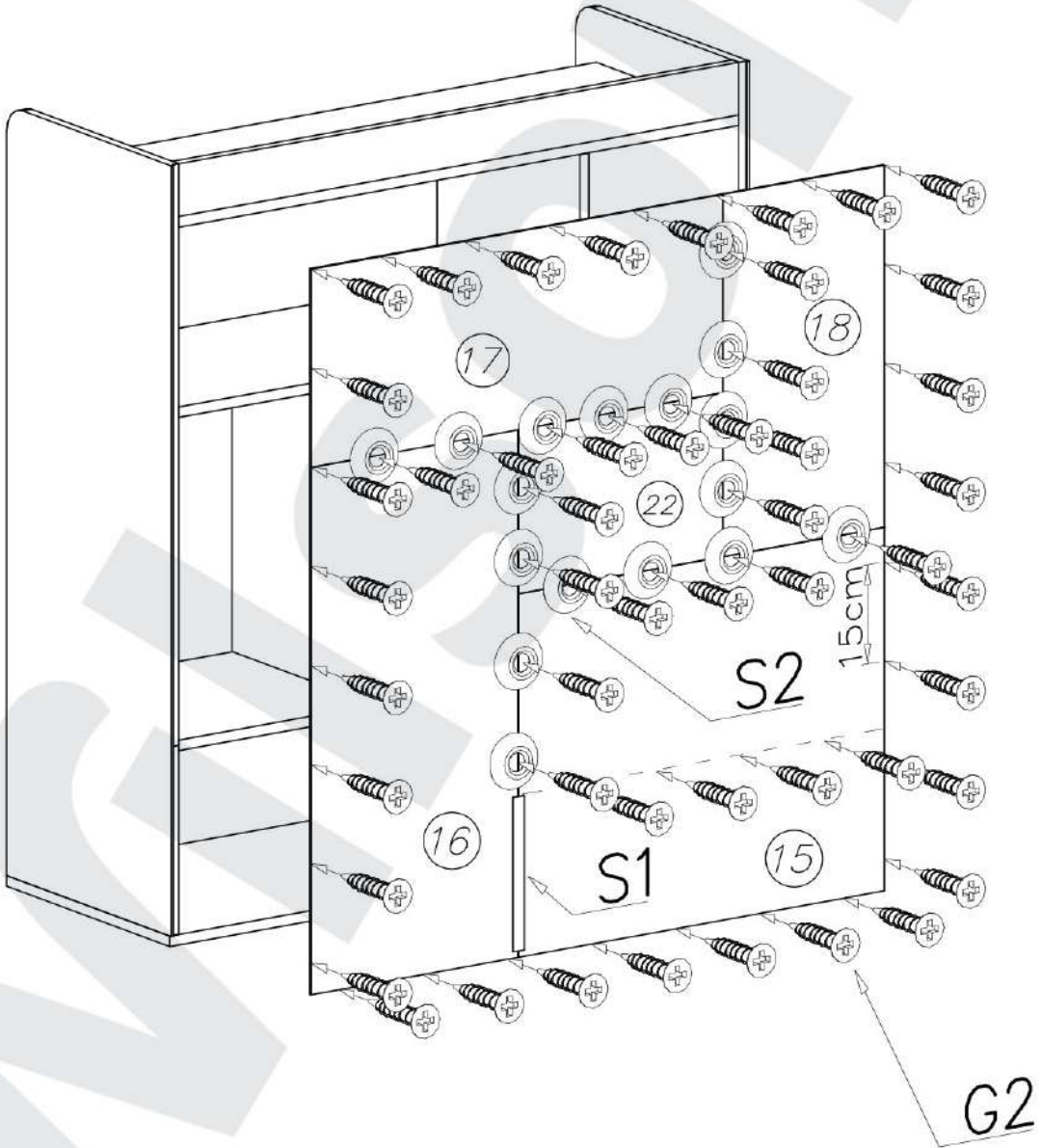
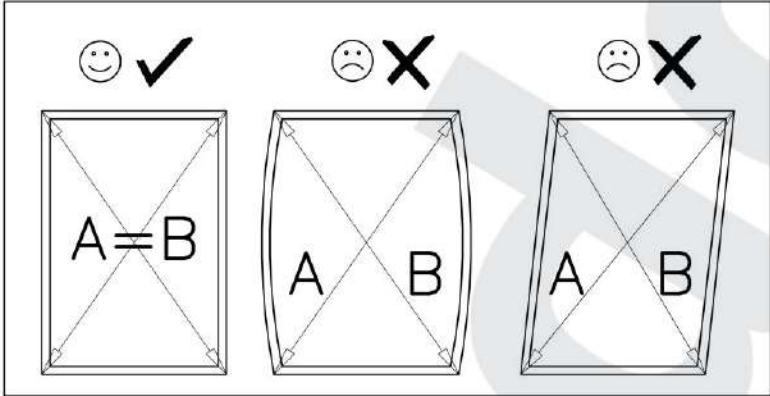
A



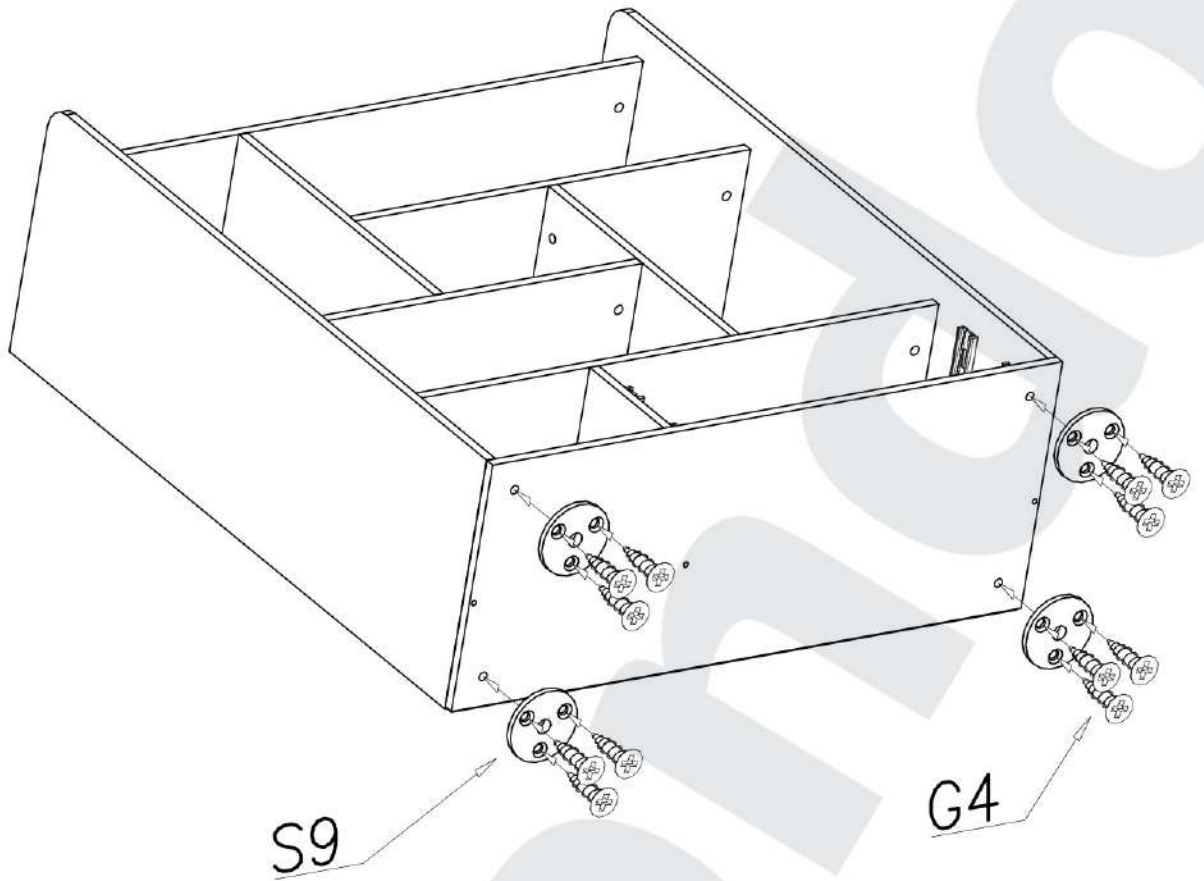
B



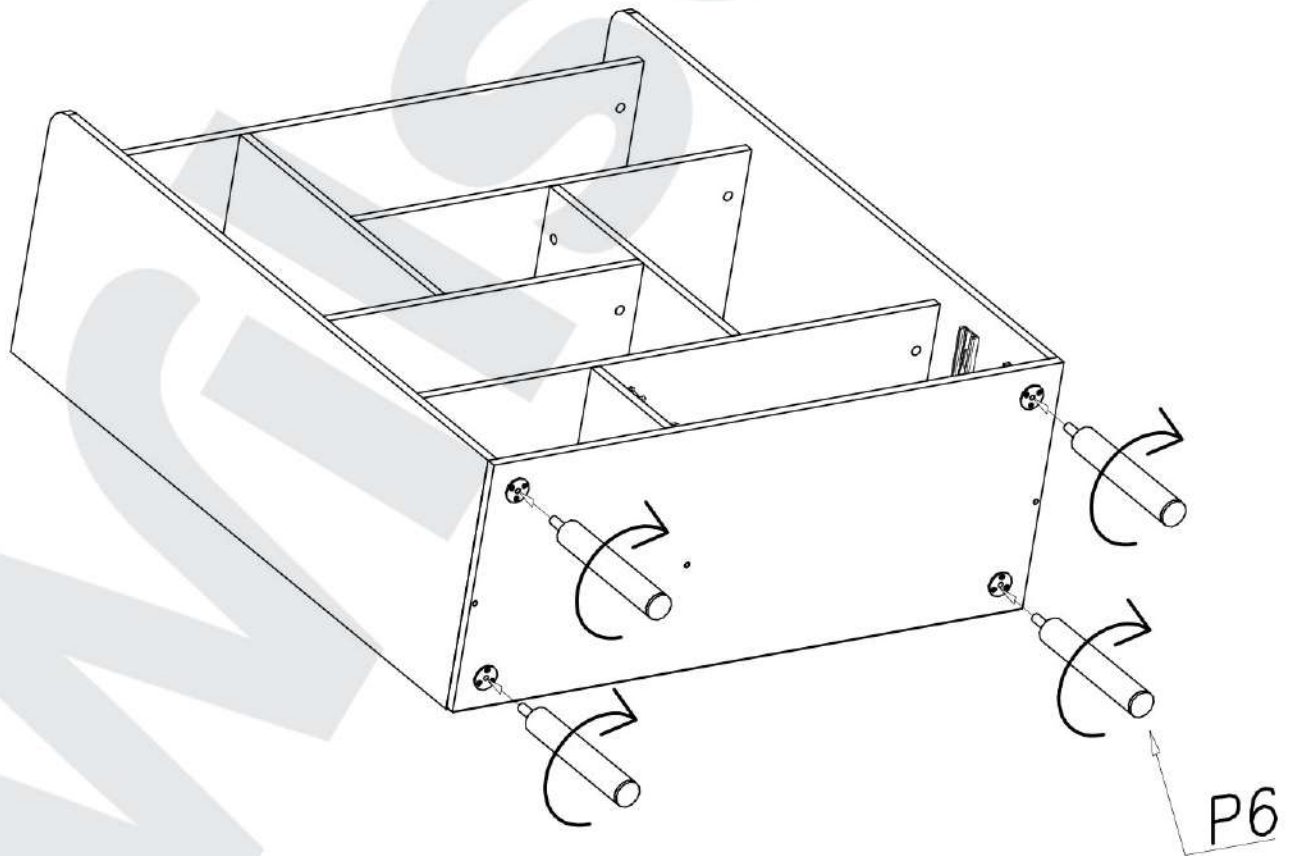
V



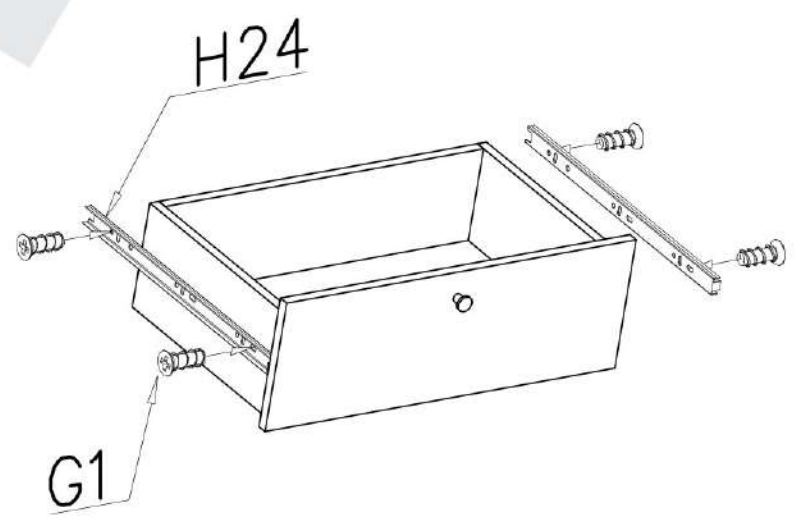
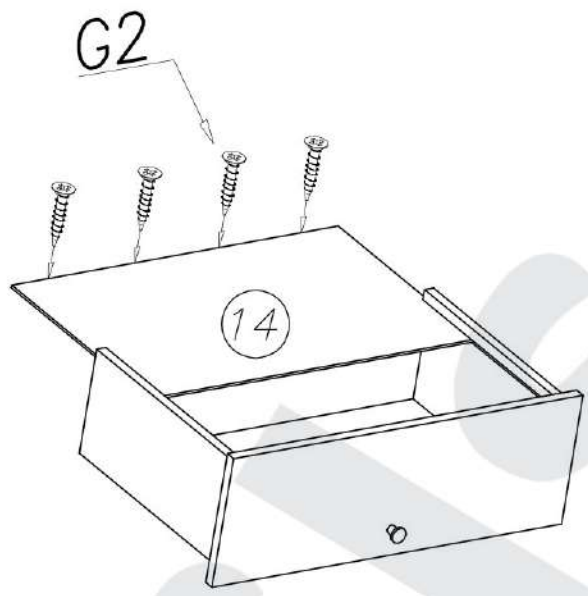
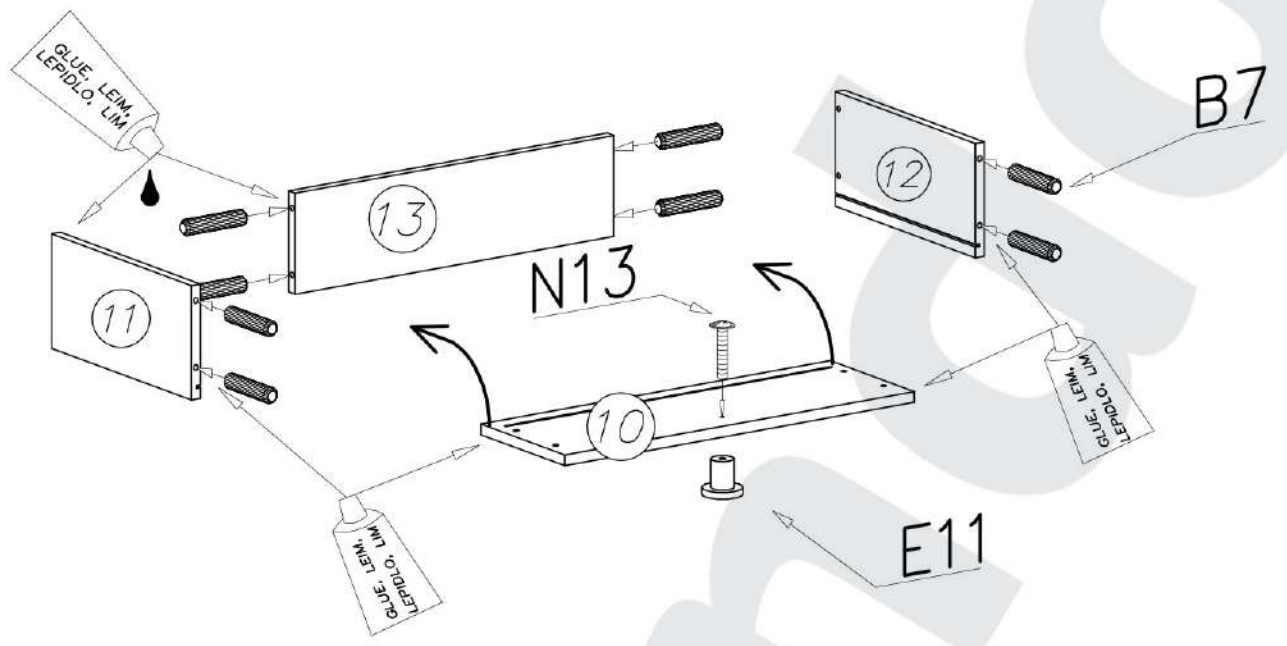
VI



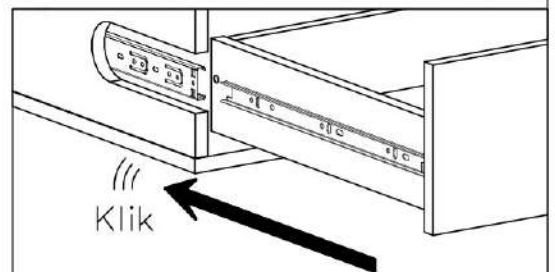
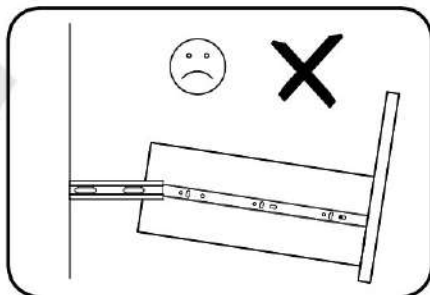
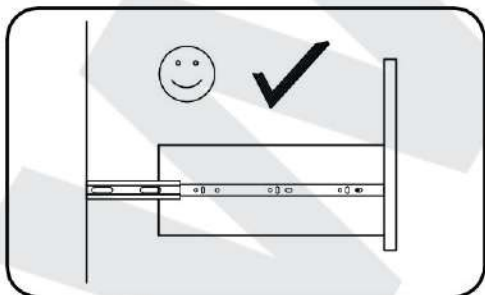
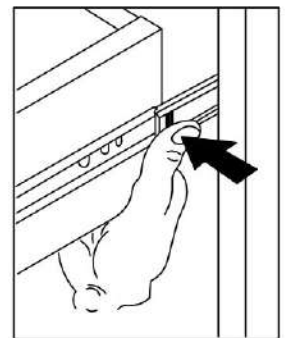
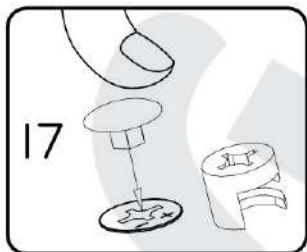
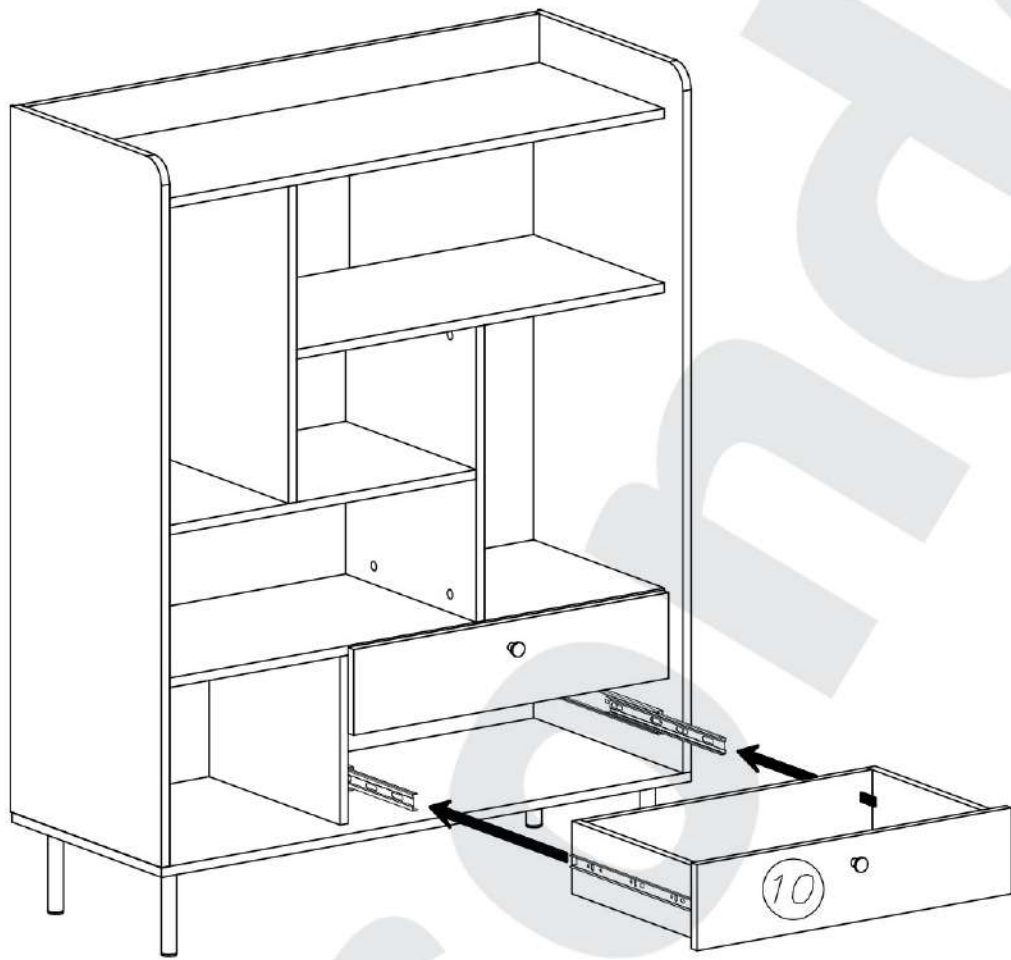
VII



VIII



IX



(X)

