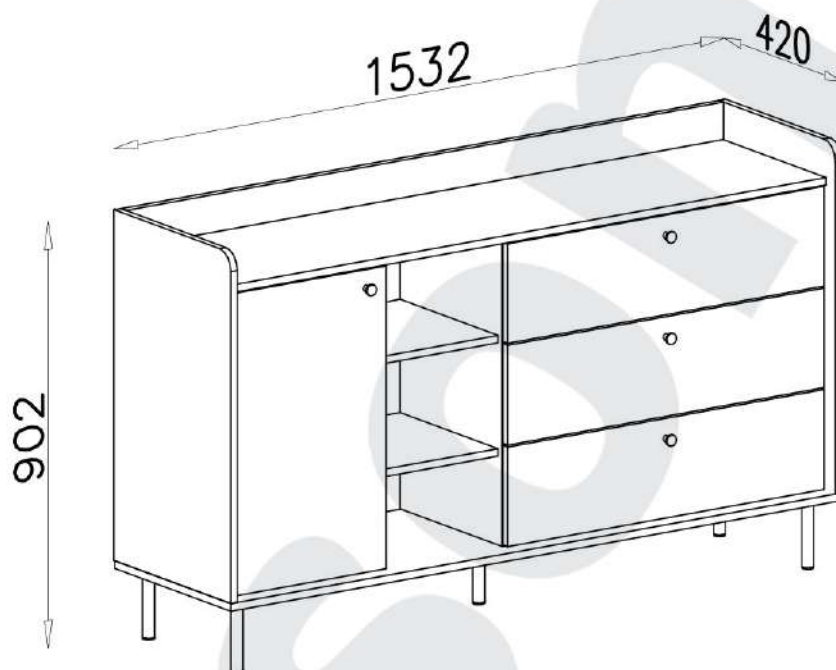
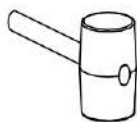
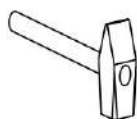
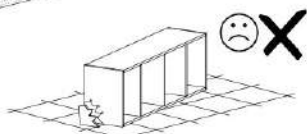
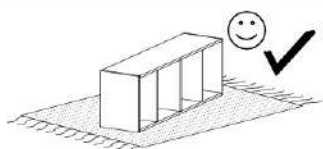


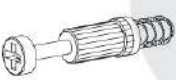






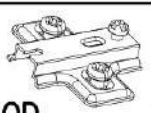
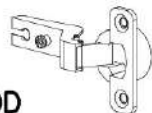




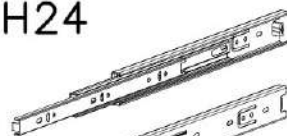




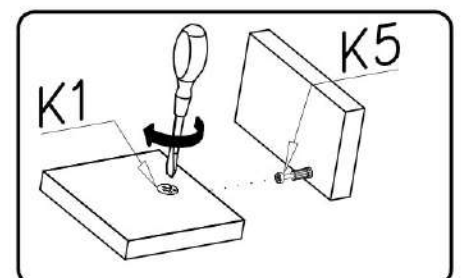
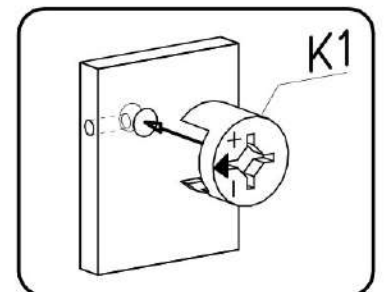
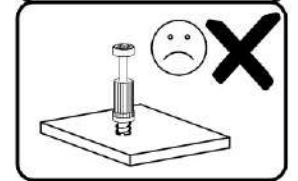
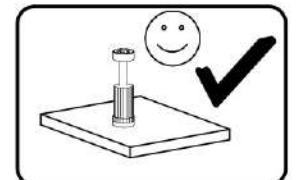
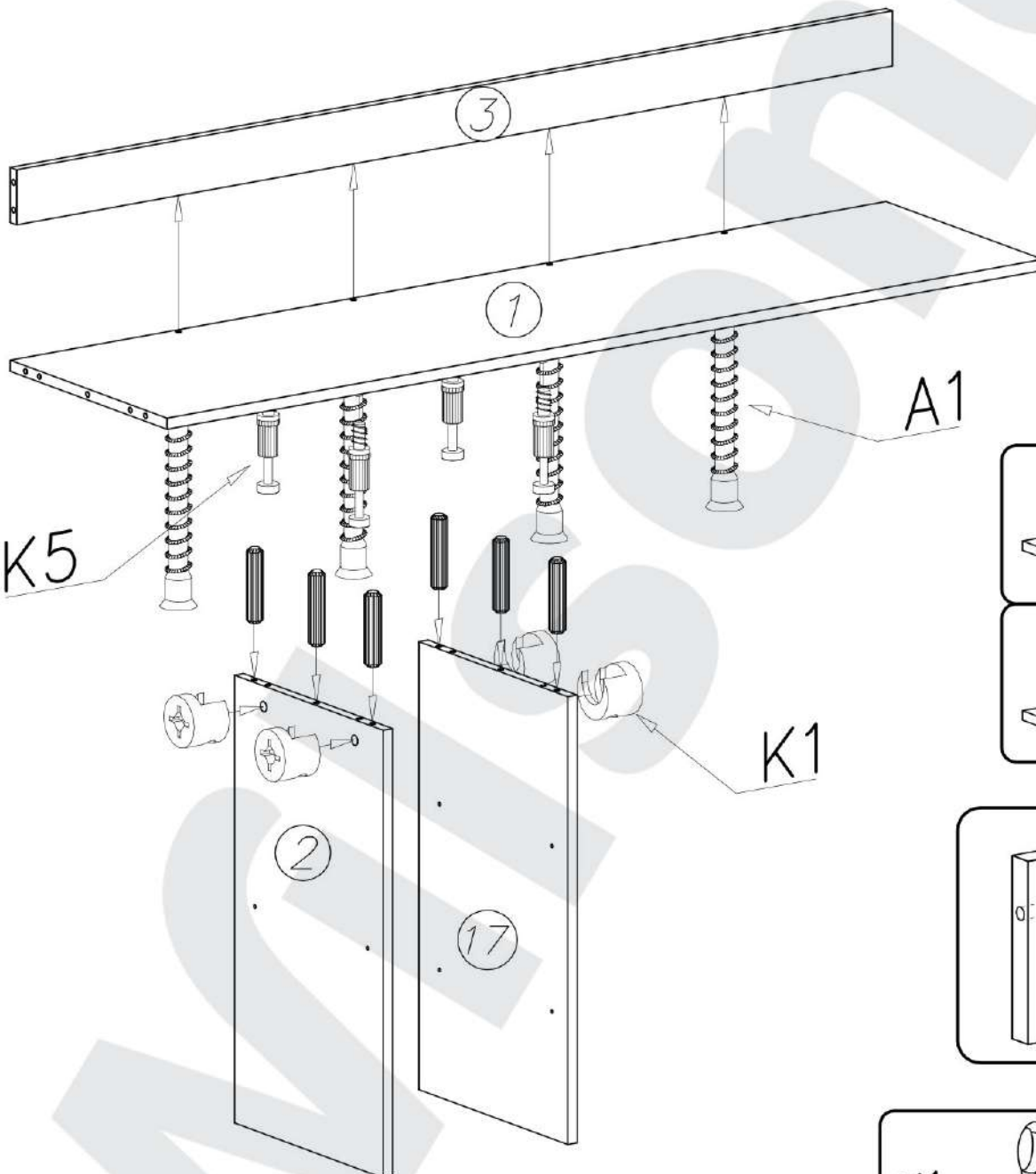
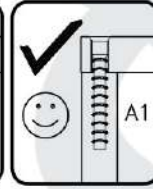
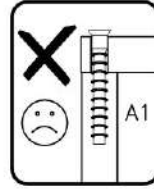
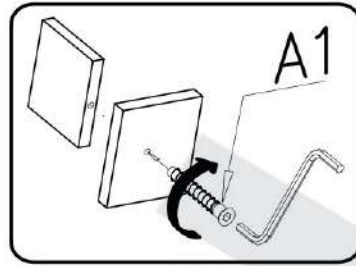
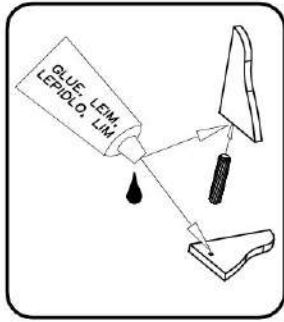
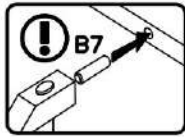


GRANDE GR 5

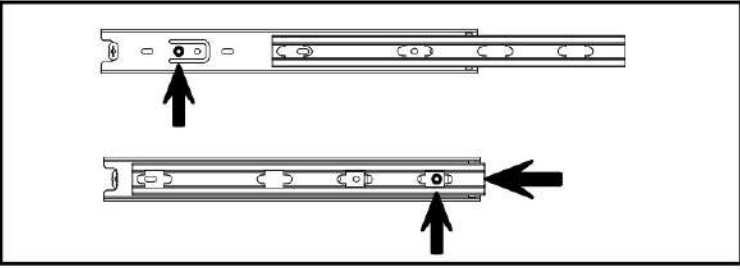
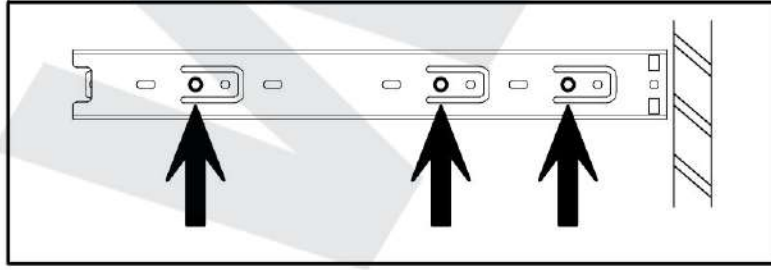
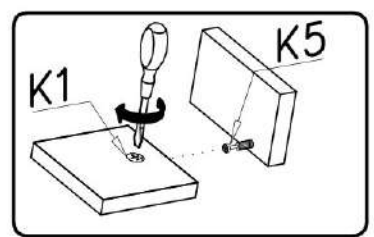
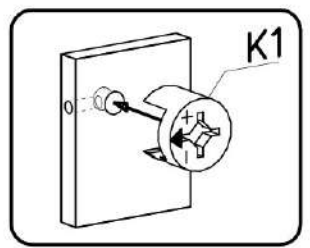
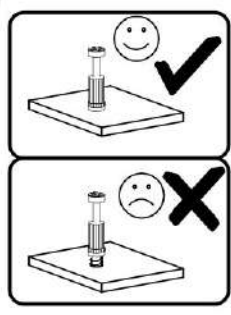
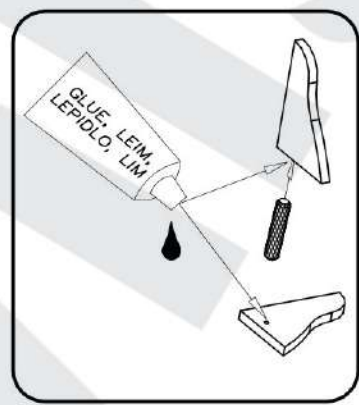
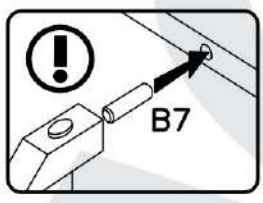
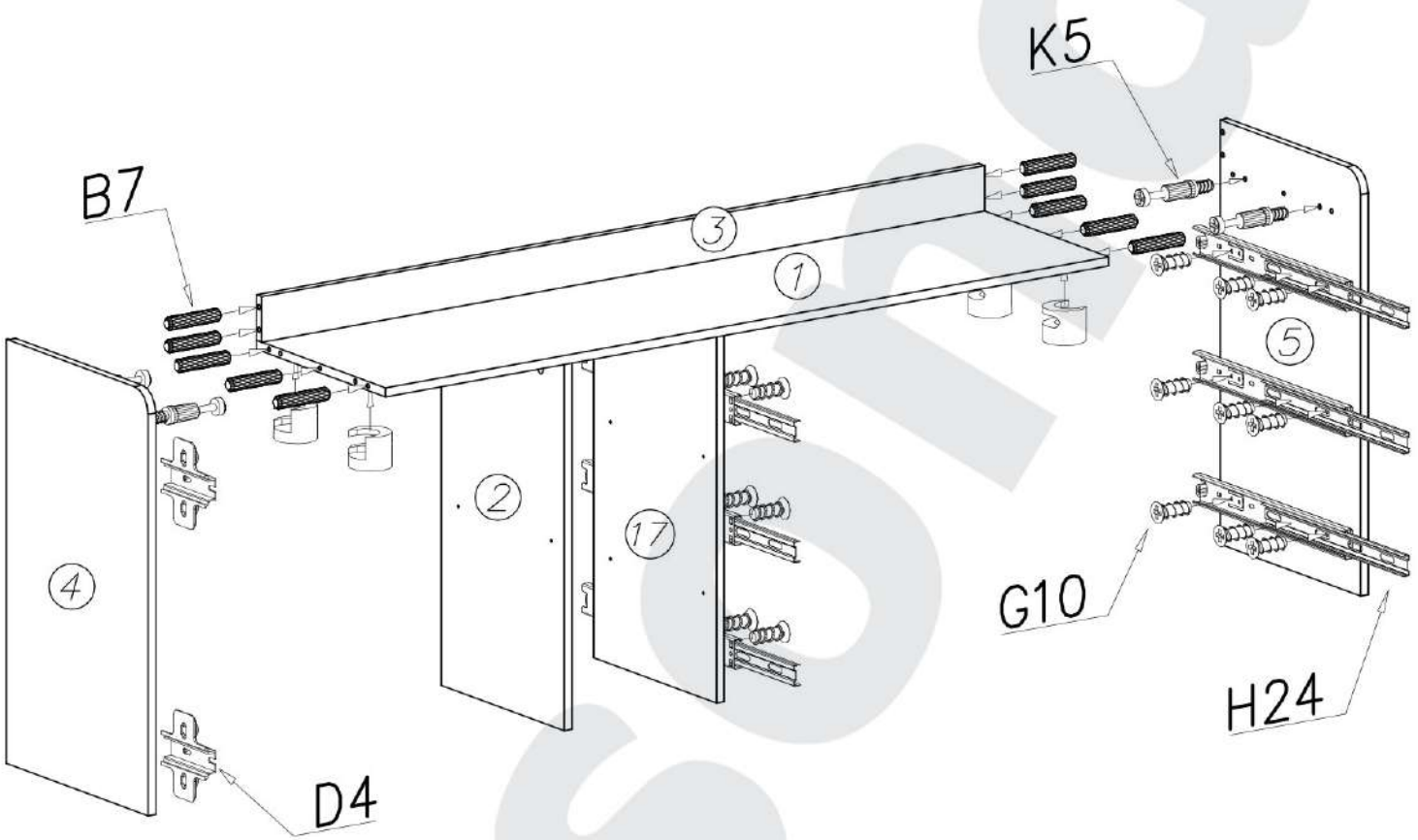
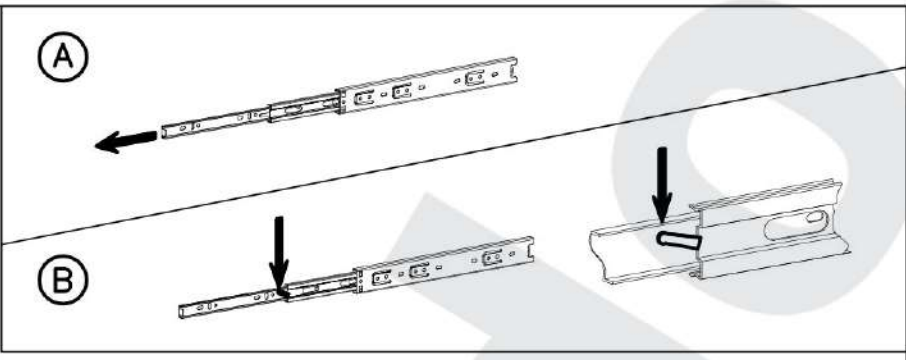
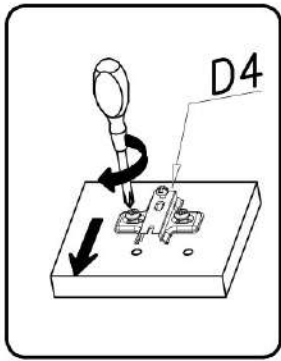


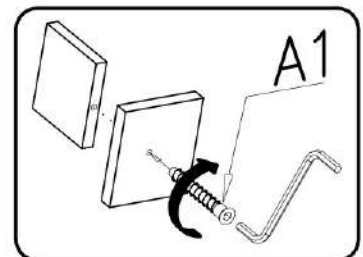
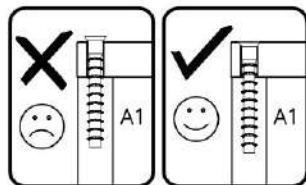
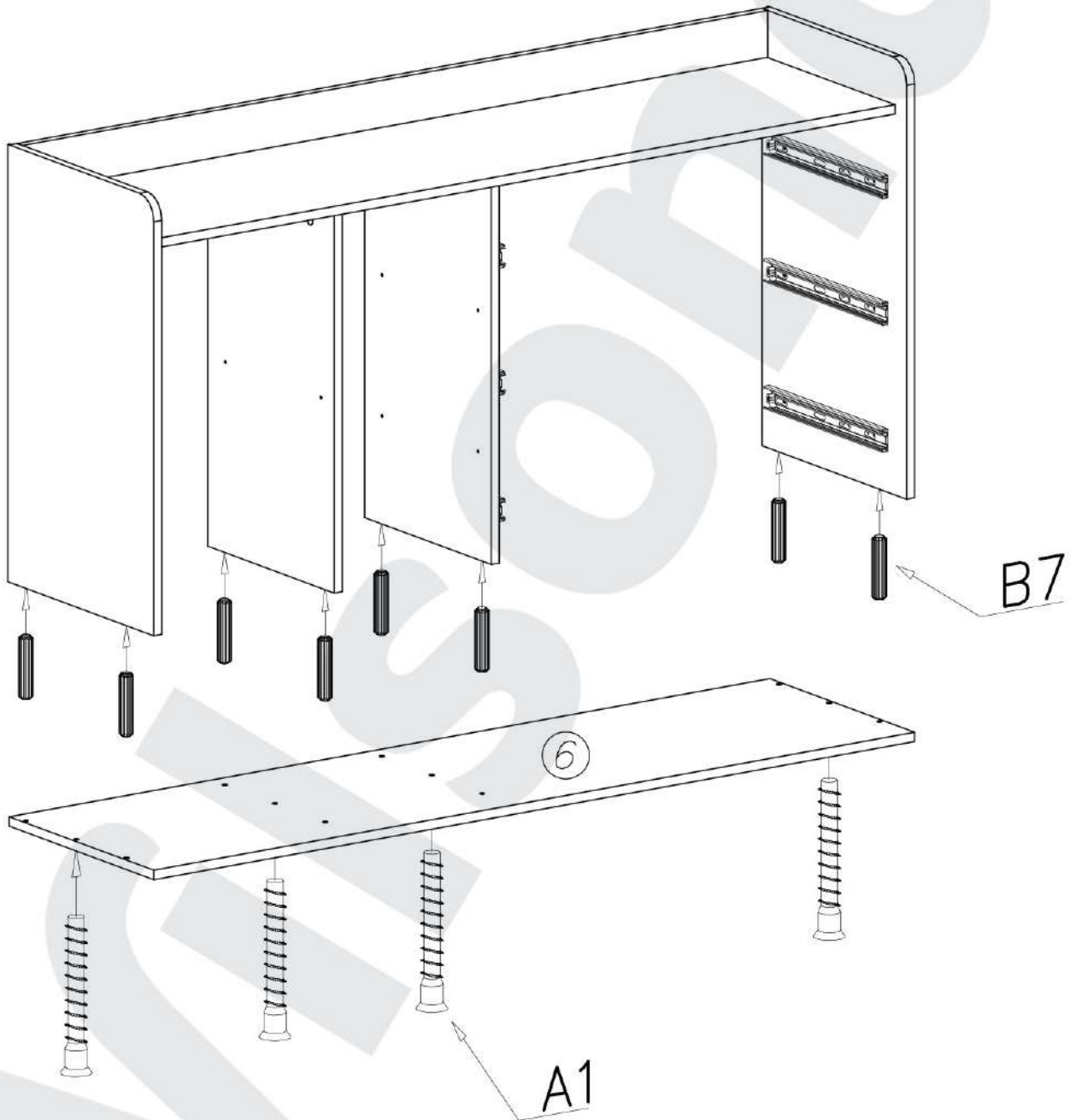
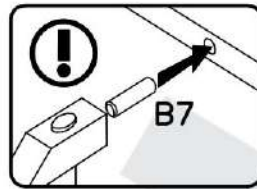
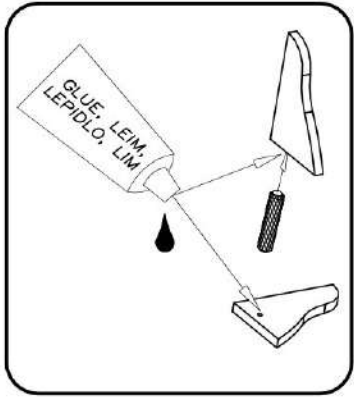
K1  ø15x12 x8	I7  ø18 x8			
K5  ø15x12 x8	S1  648mm x1	S2  x8	S9  x5	P6  x5
N13  M4x22 x4	W1  x3	D4  PZ350D x2	C4  Z350D x2	
E11  x4	G4  4x16 x19	G2  3x20 x60	F1  x12	H24  350mm x3
A1  ø7x50 x8	B7  ø8x30 x48	W2  x1	G1  4x13 x30	

1

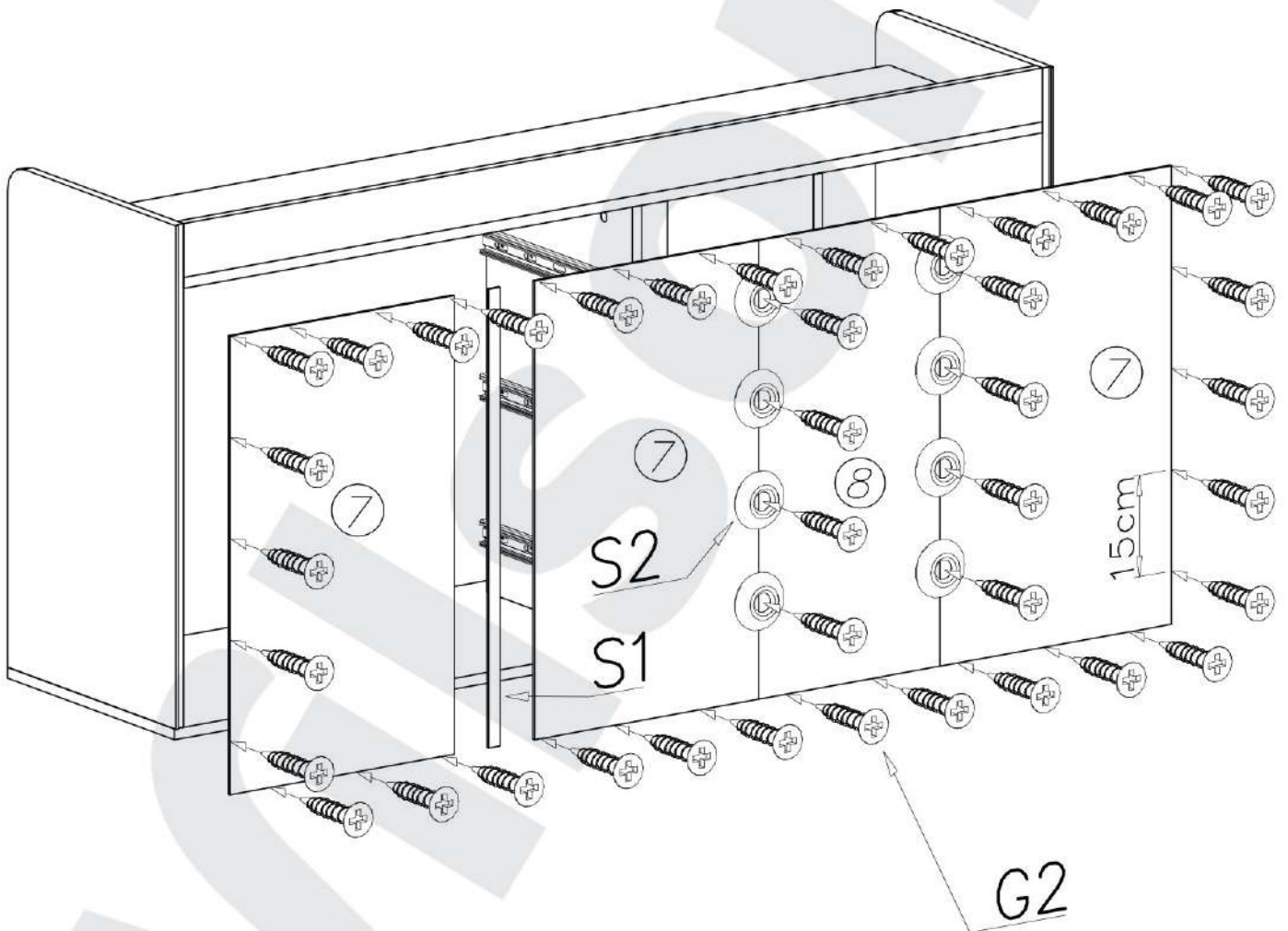
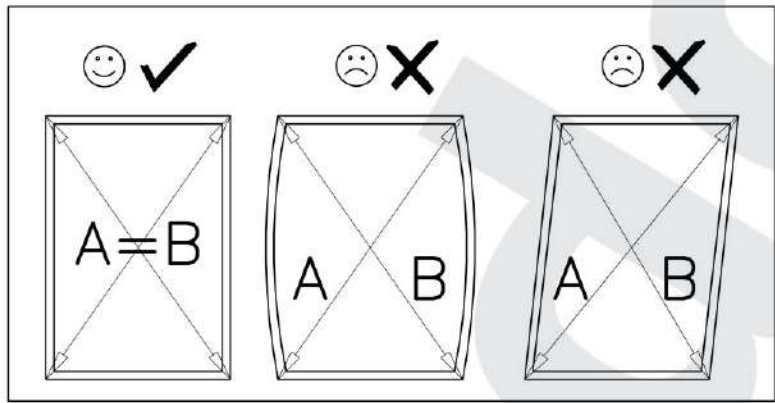


II

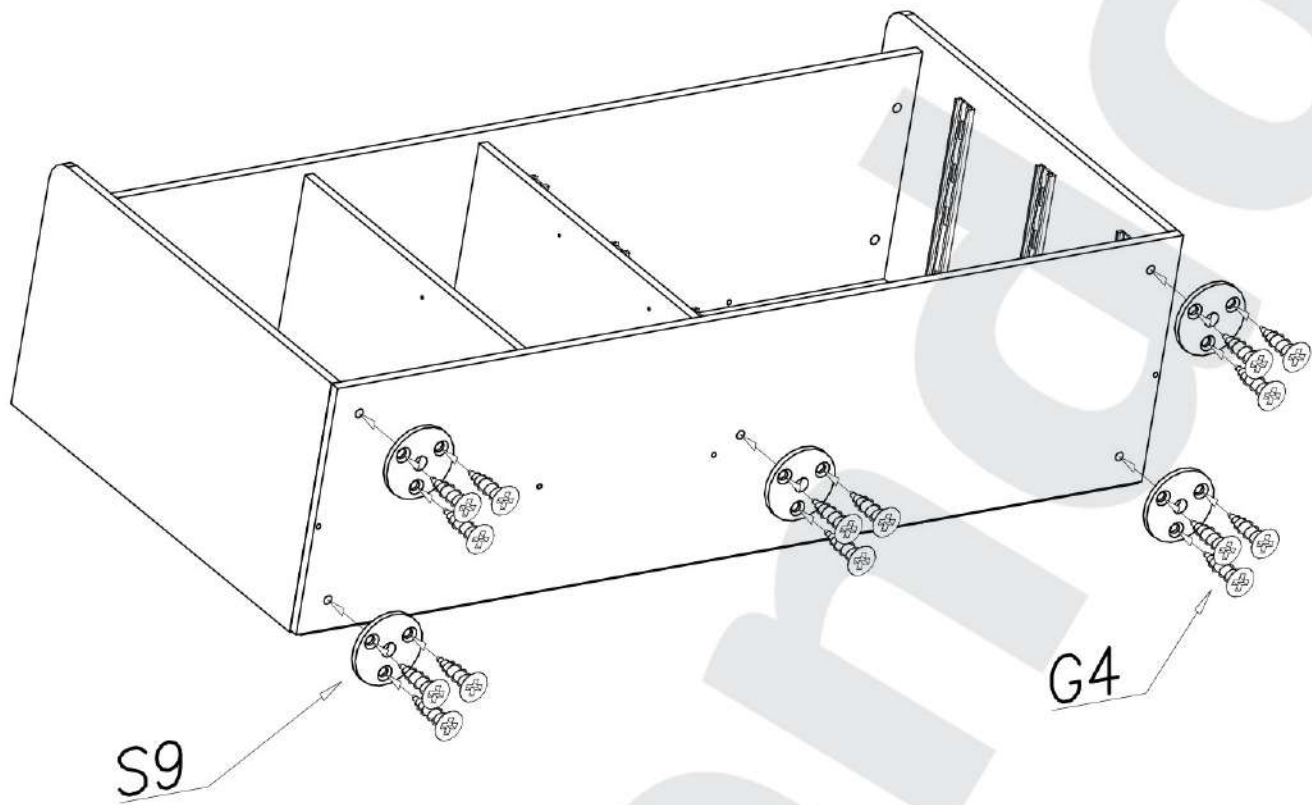




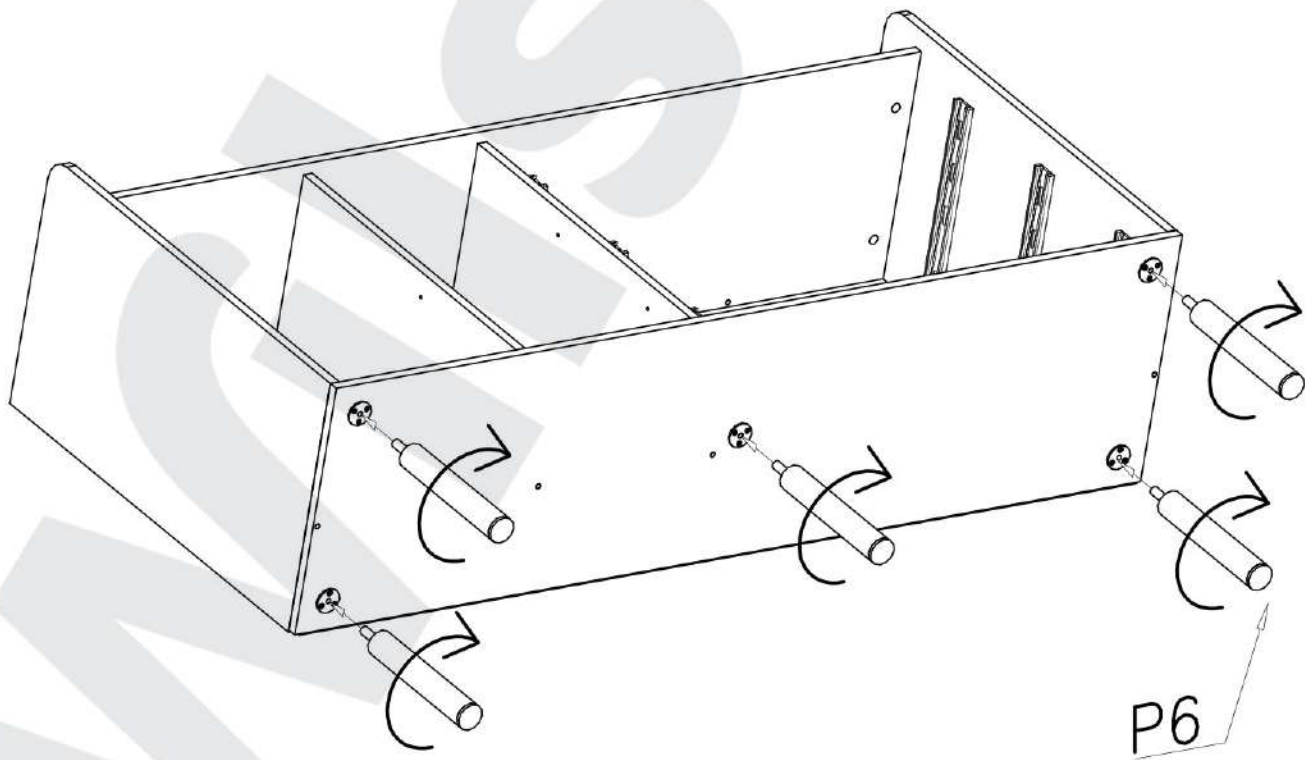
IV



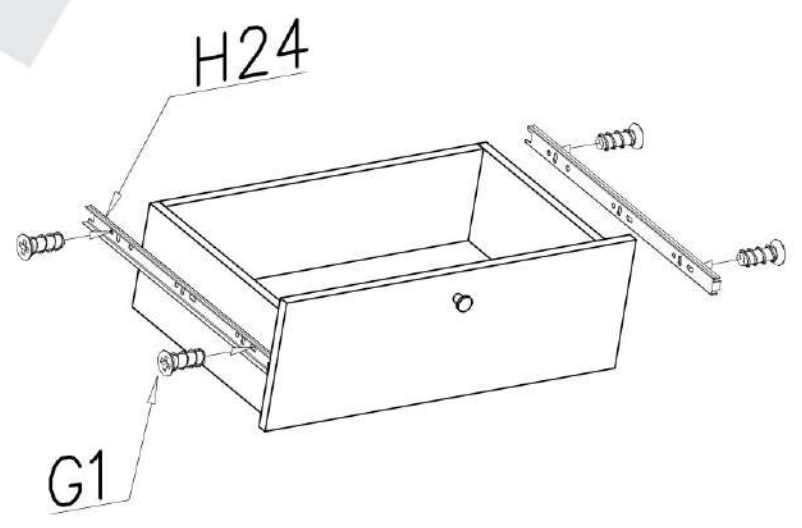
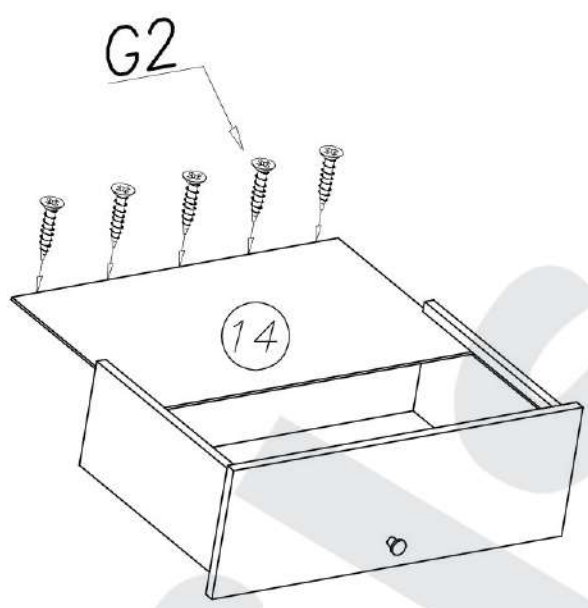
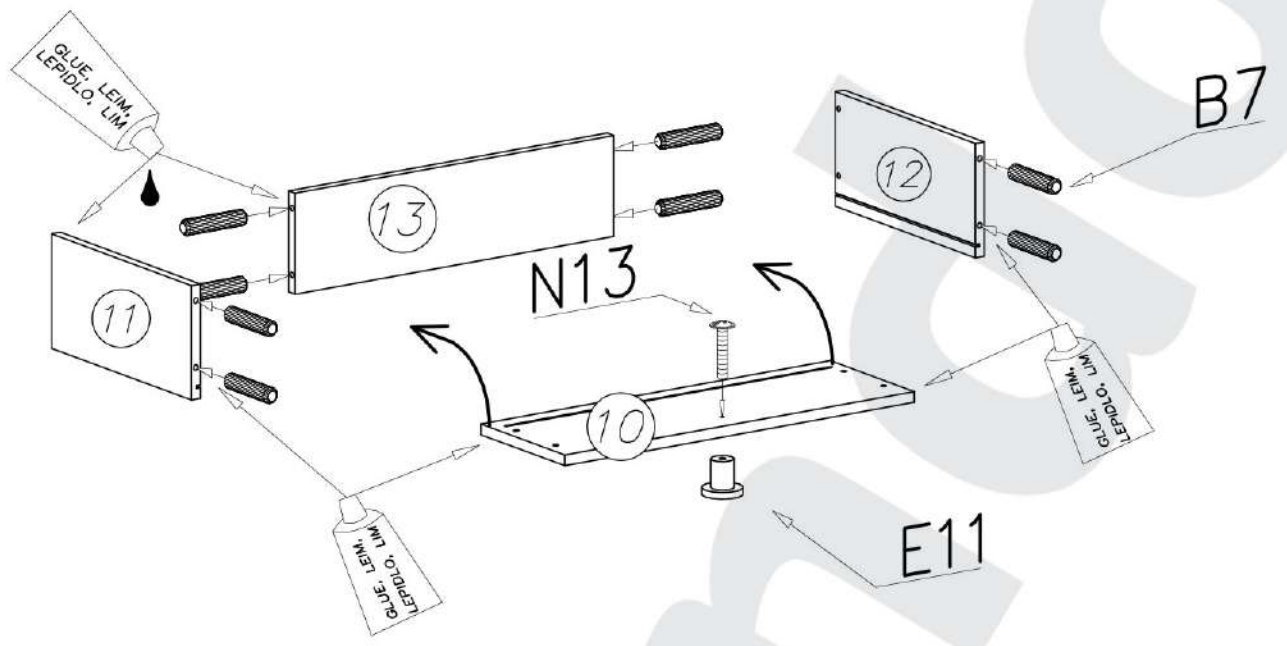
V



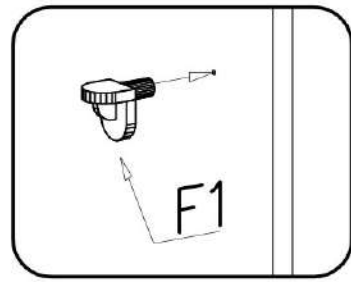
VI



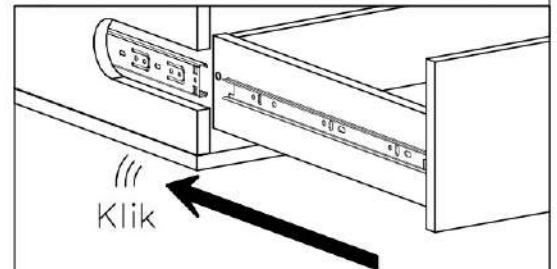
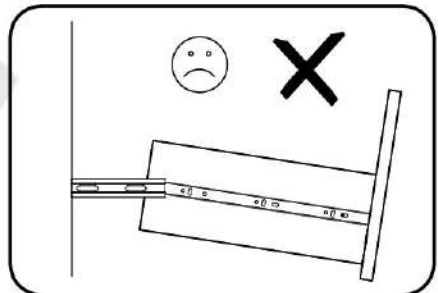
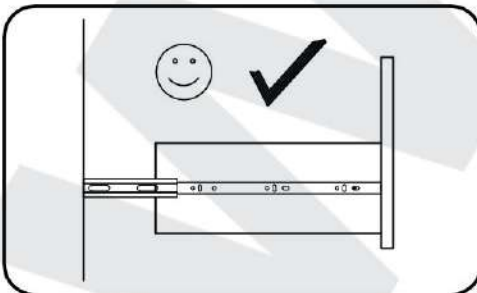
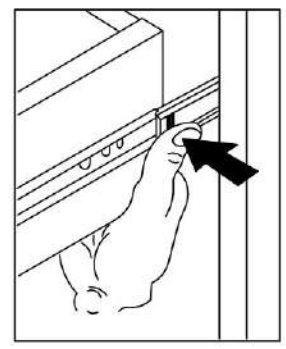
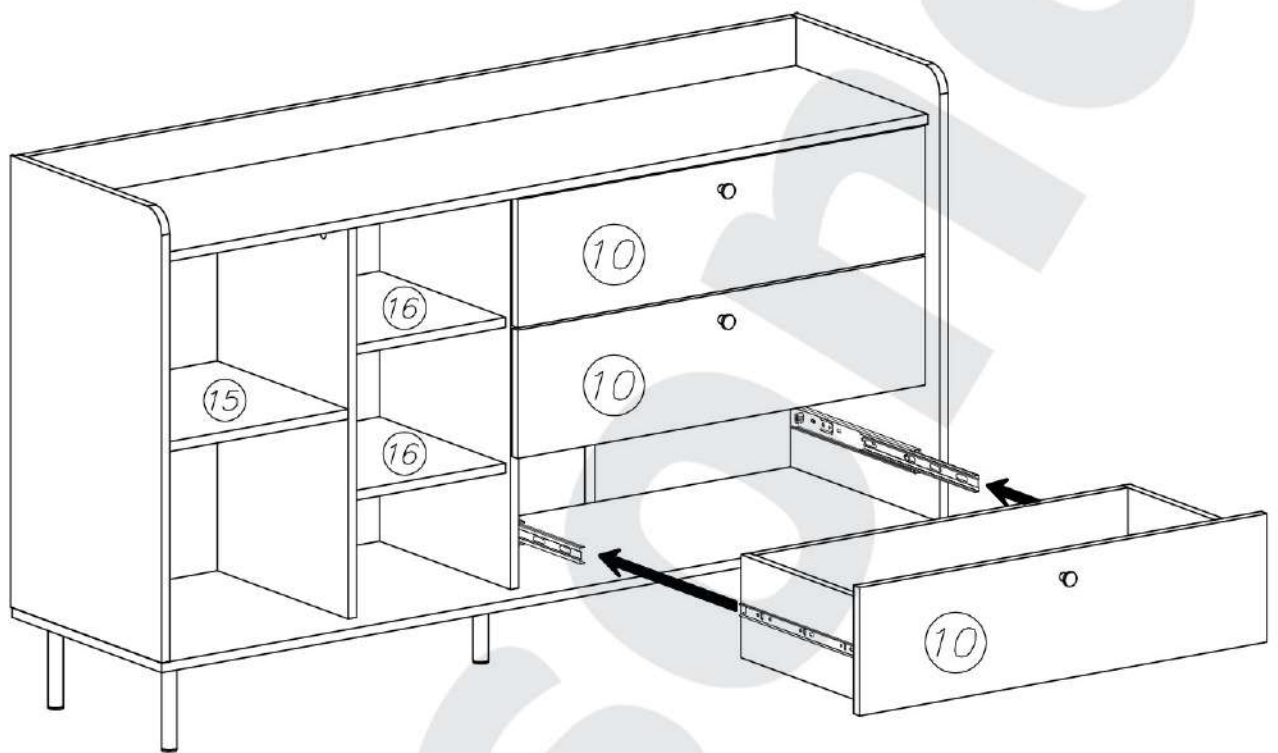
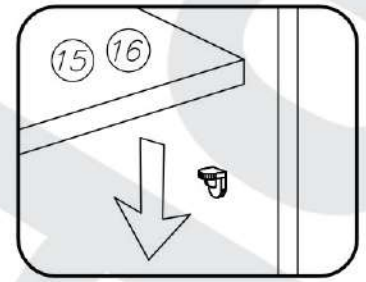
VII



1



2



IX

