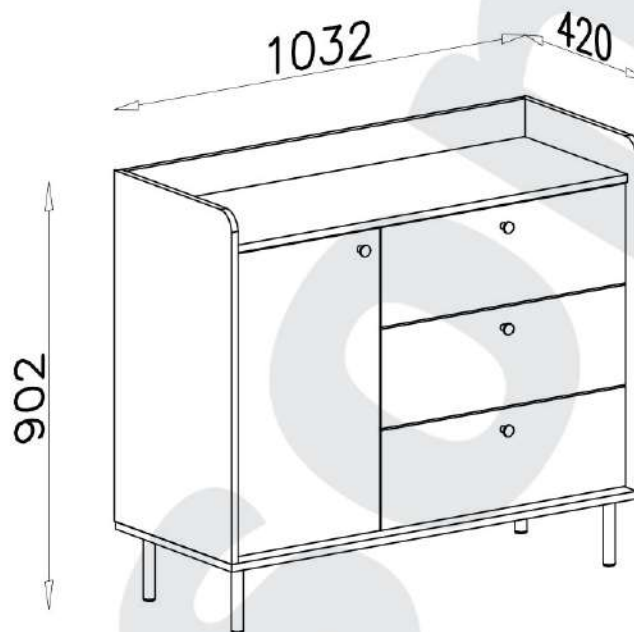
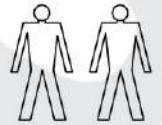
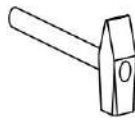
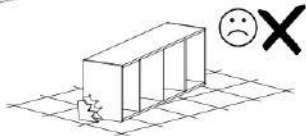
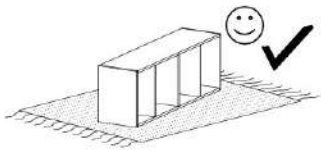







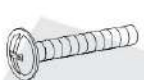

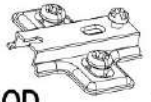
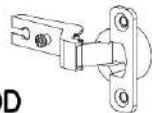




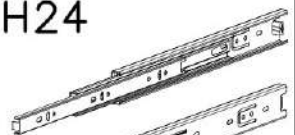




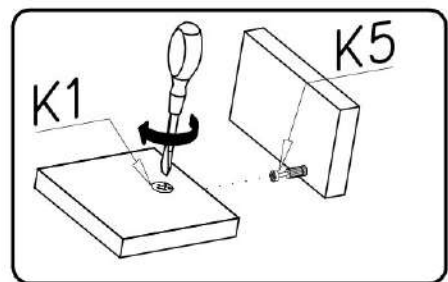
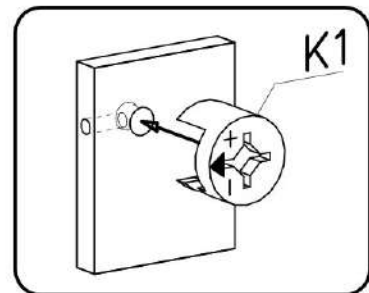
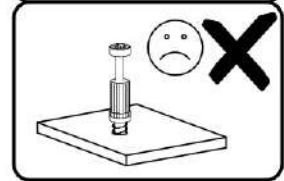
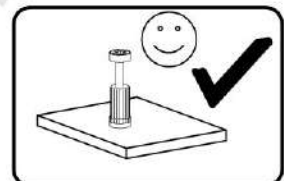
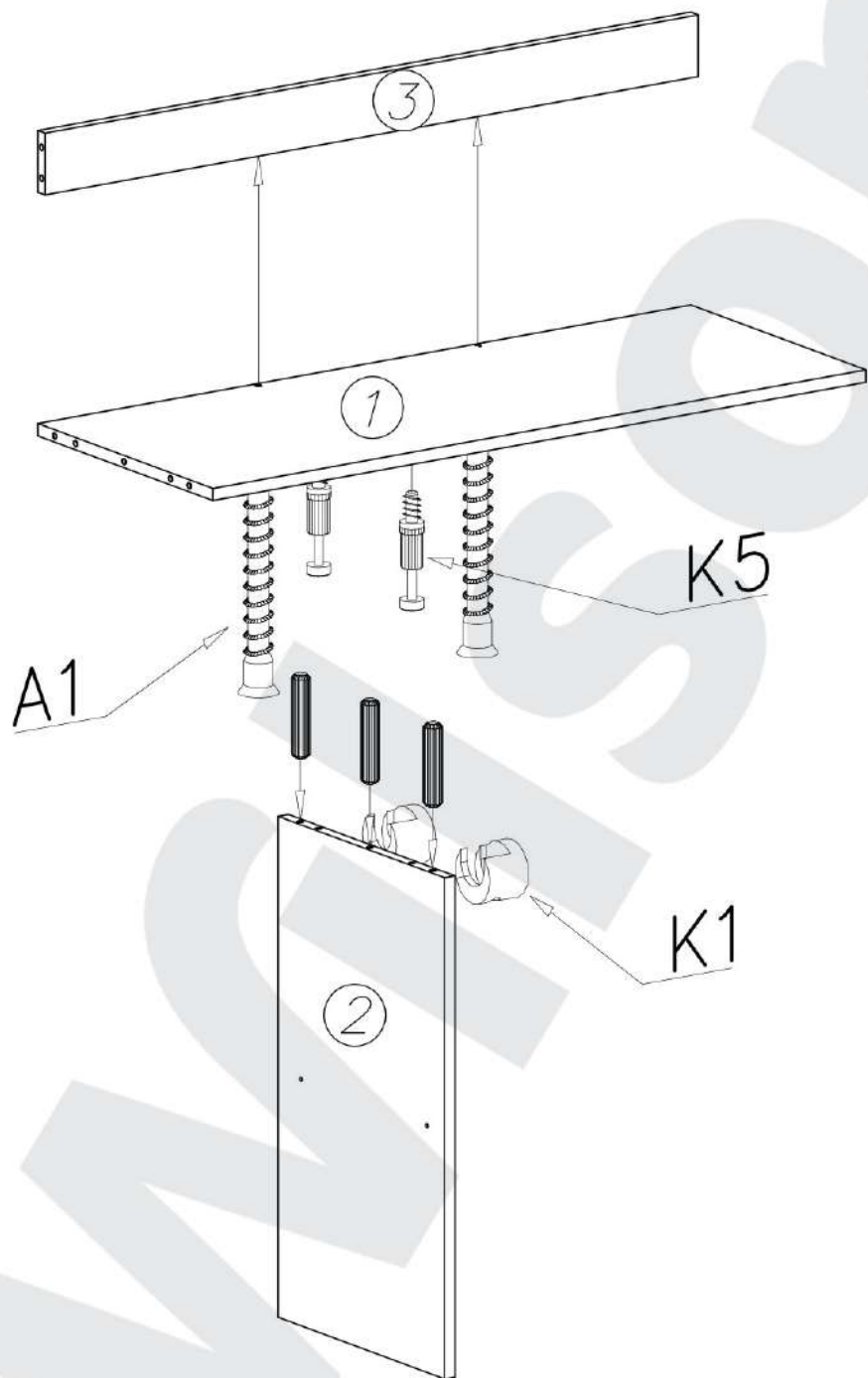
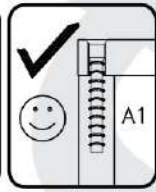
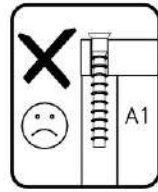
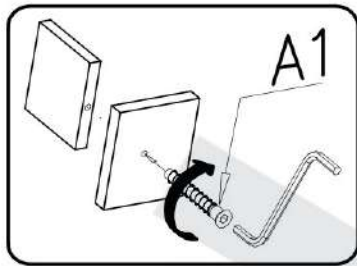
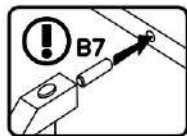


GRANDE GR 6

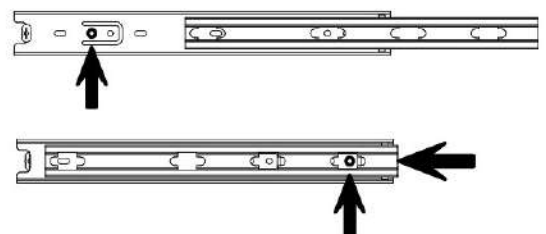
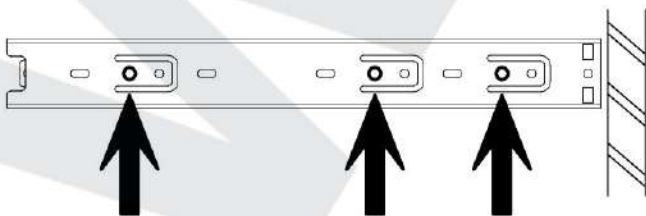
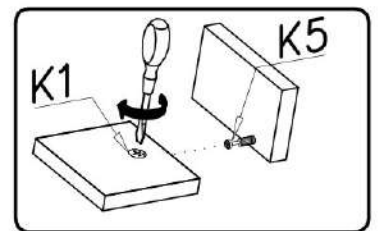
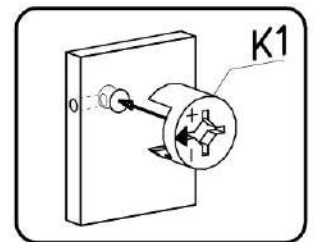
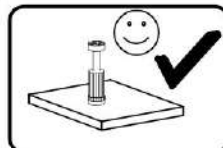
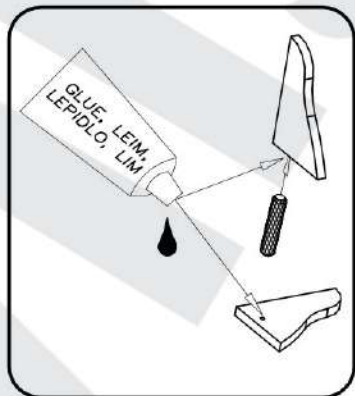
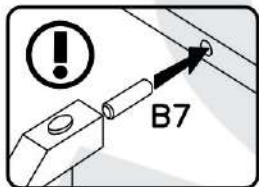
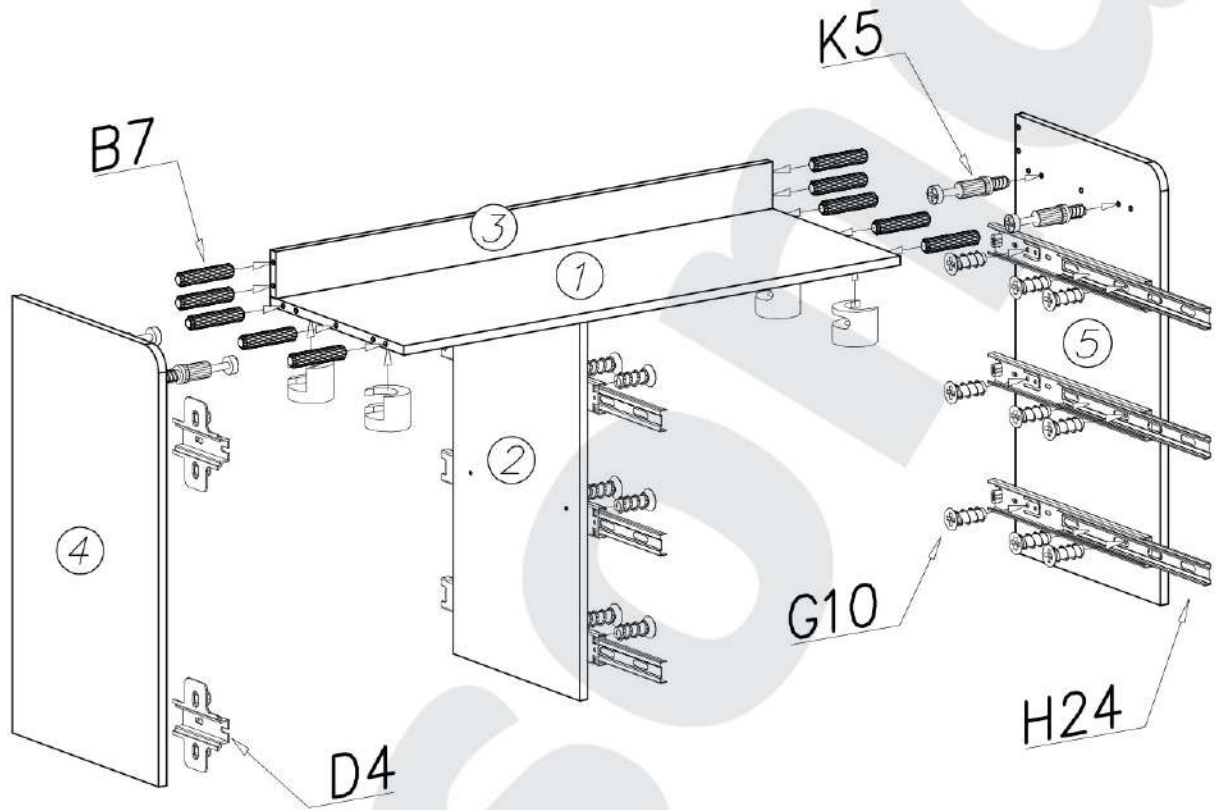
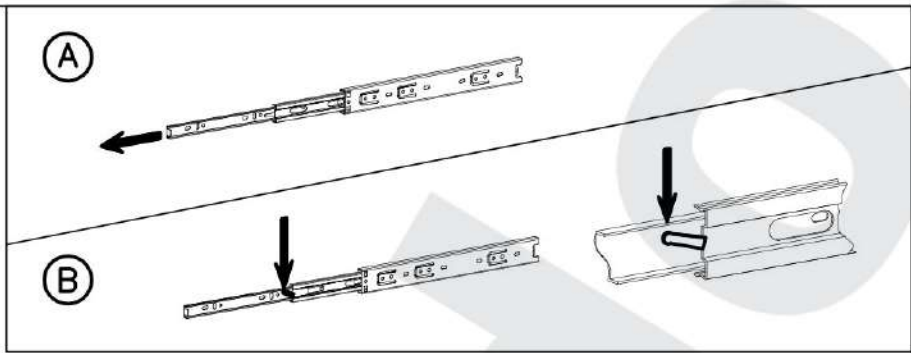
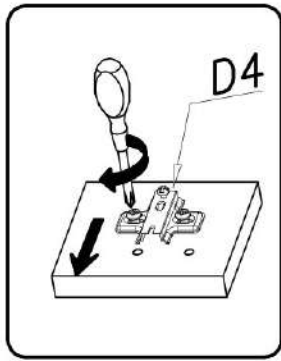


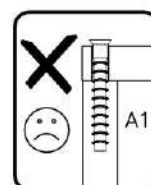
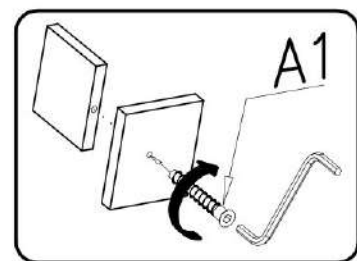
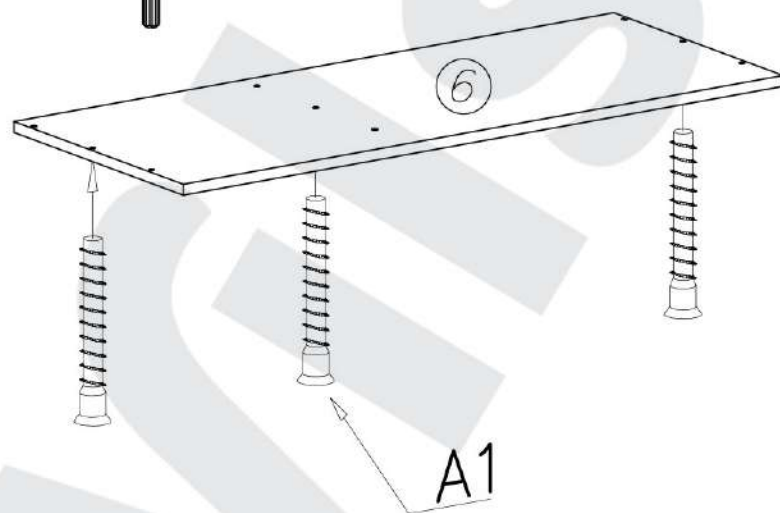
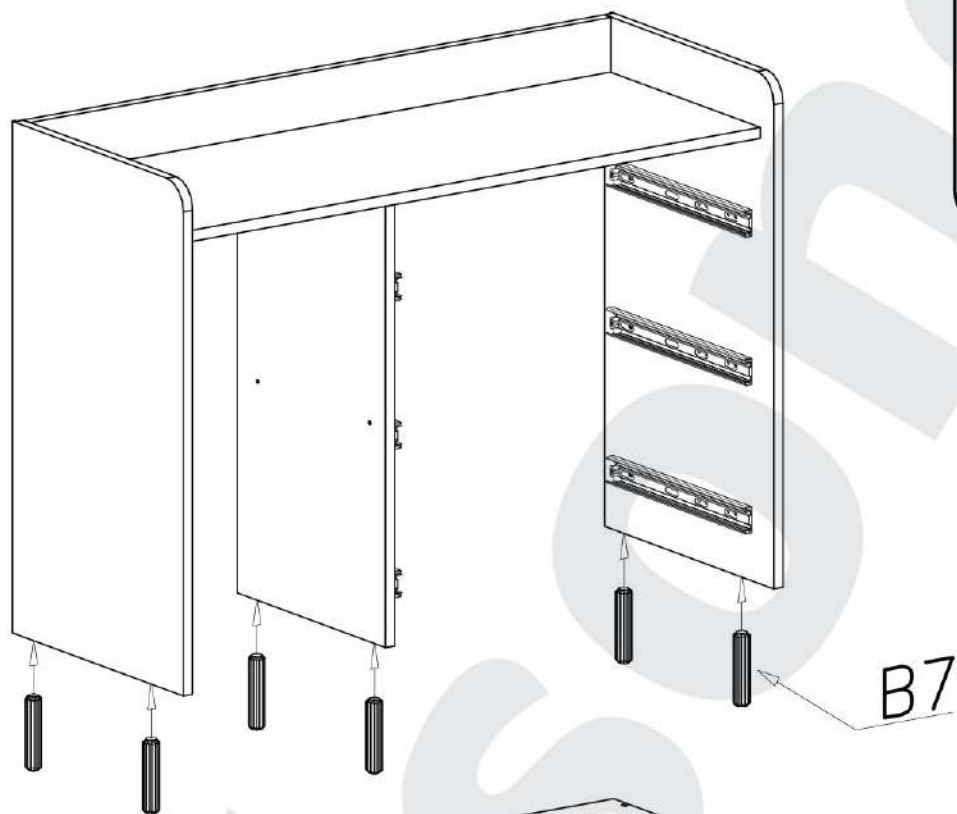
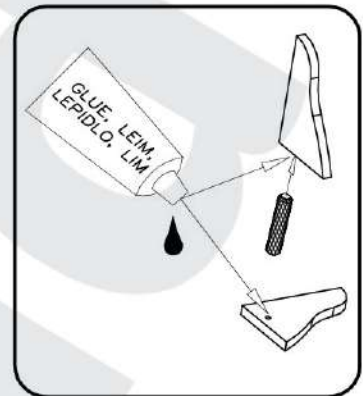
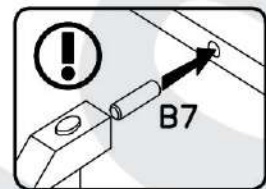
K1  ø15x12 x6	I7  ø18 x6			
K5  x6	S1  648mm x1	S2  x4	S9  x4	P6  x4
N13  M4x22 x4	W1  x2	D4  PZ350D x2	C4  Z350D x2	
E11  x4	G4  4x16 x16	G2  3x20 x45	F1  x4	H24  x3
A1  ø7x50 x5	B7  ø8x30 x43	W2  x1	G1  4x13 x30	

1

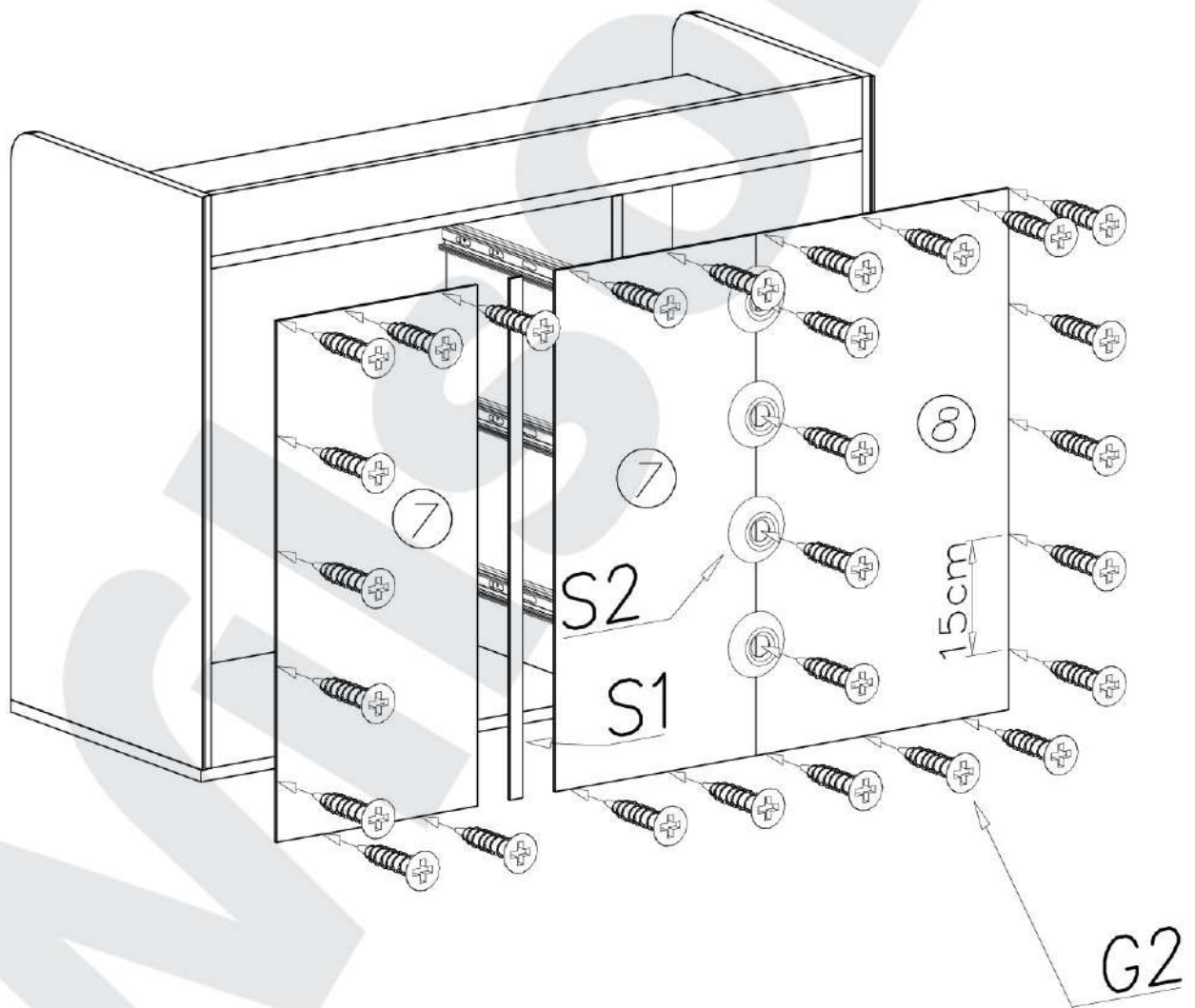
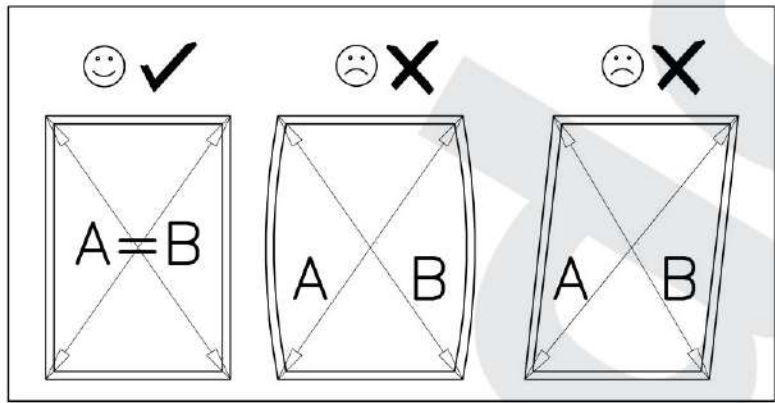


II

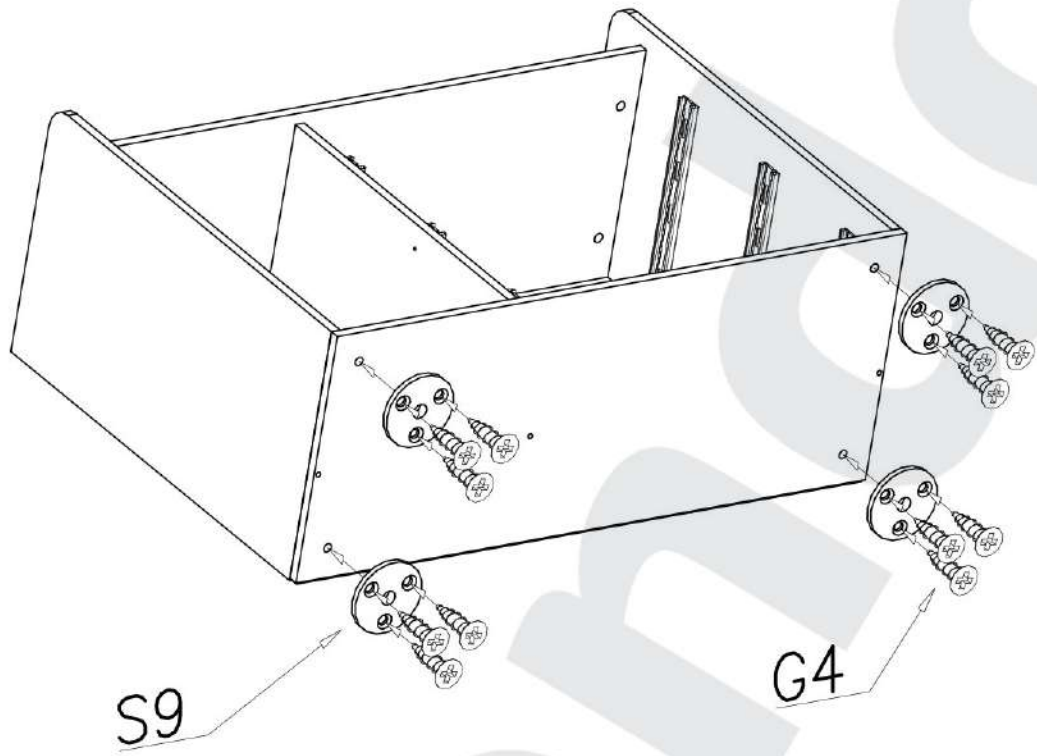




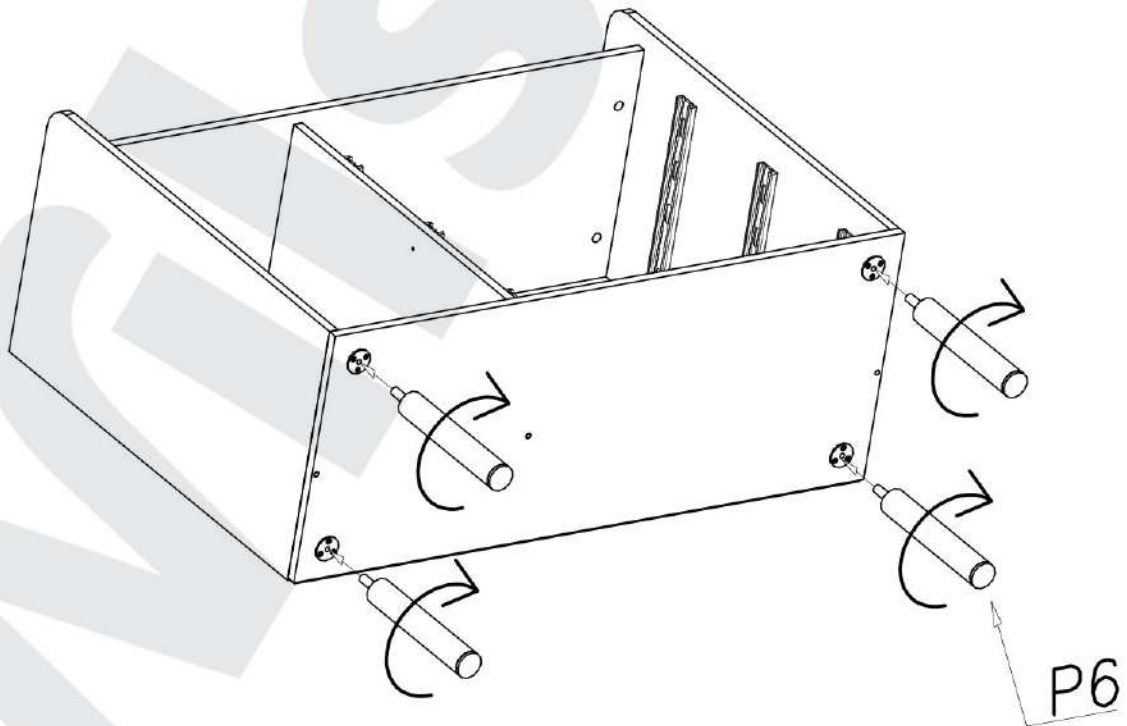
IV



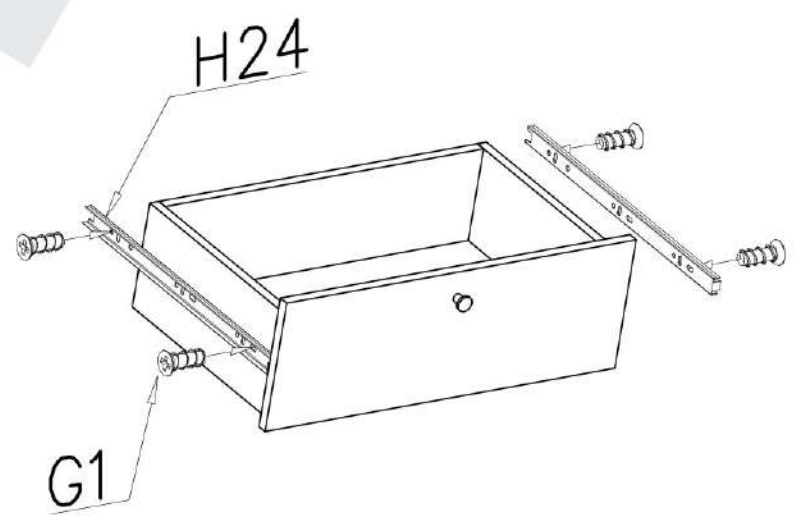
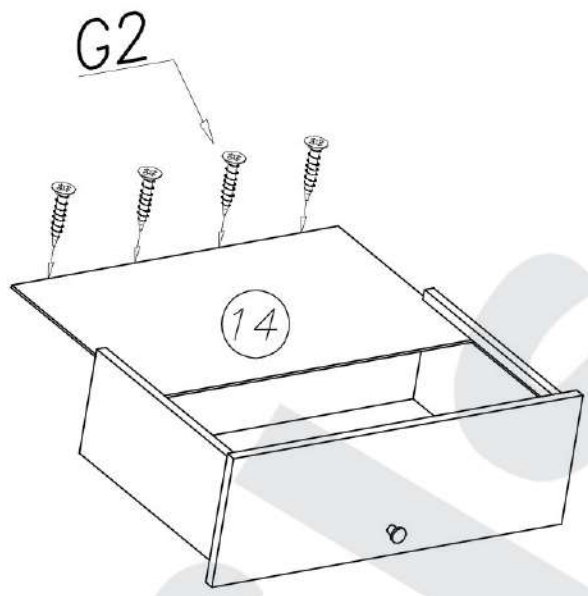
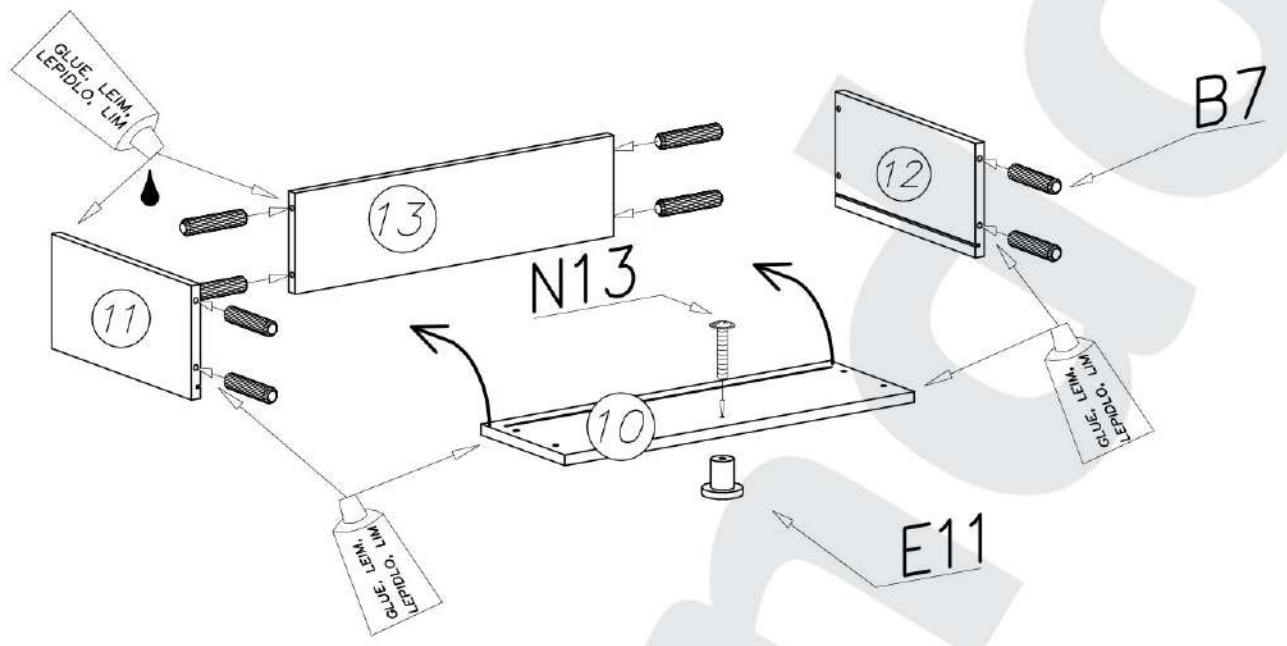
V

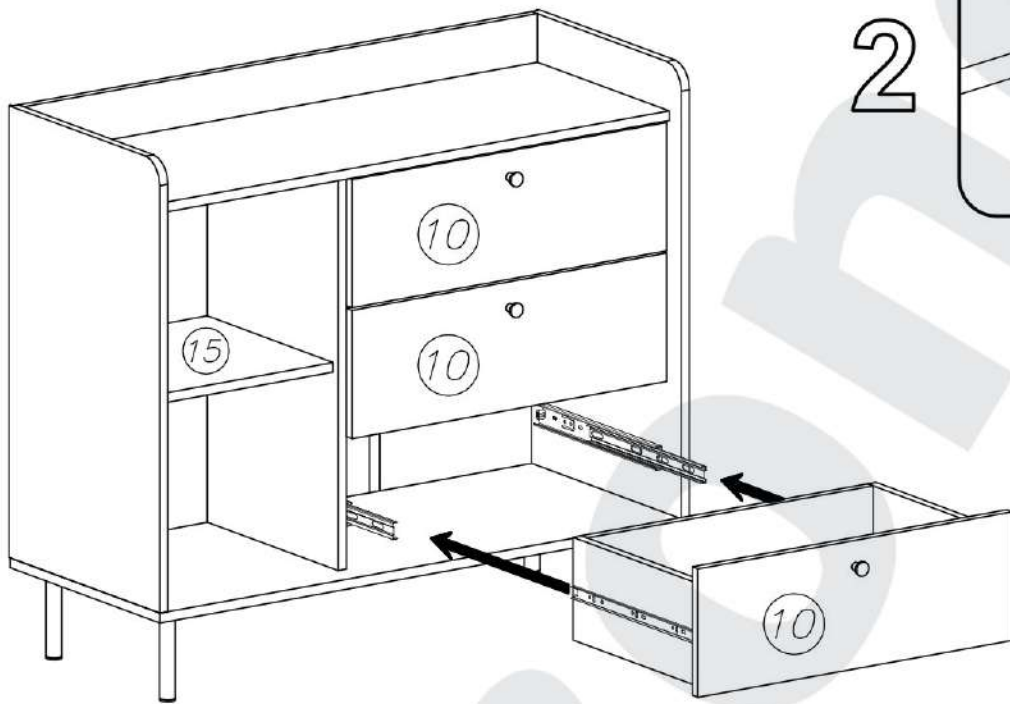


VI

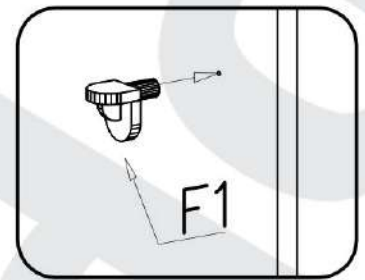


VII

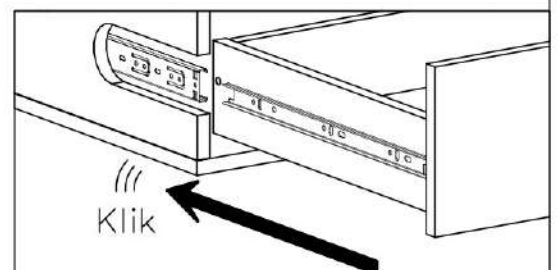
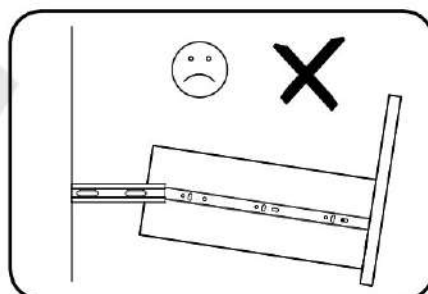
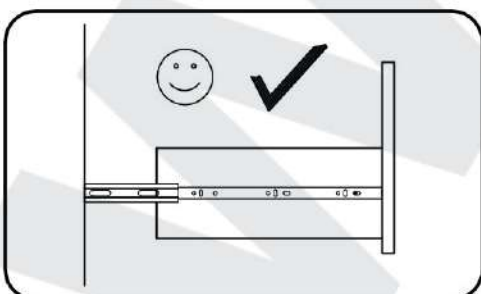
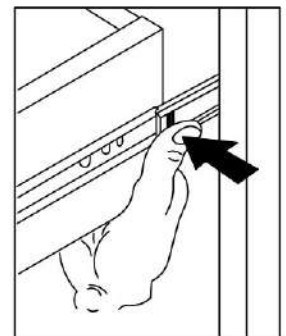
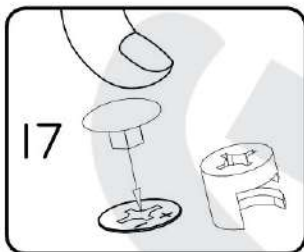
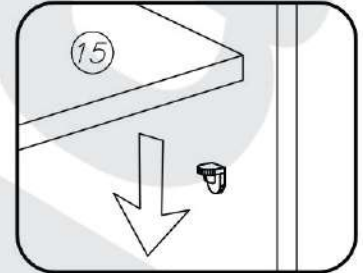




1



2



IX

