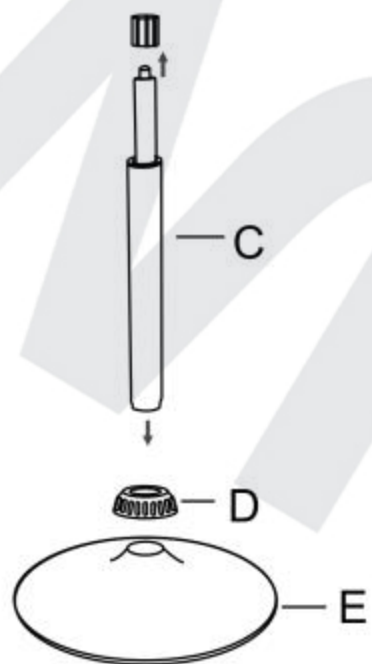
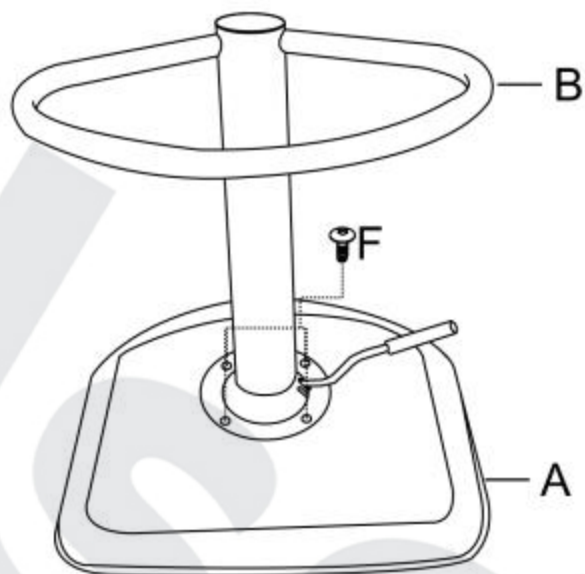


H/95

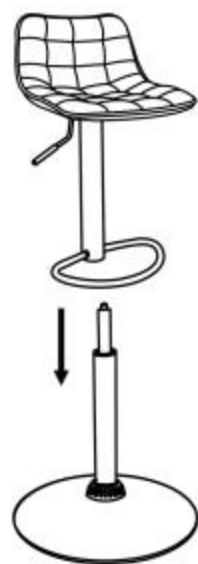
1



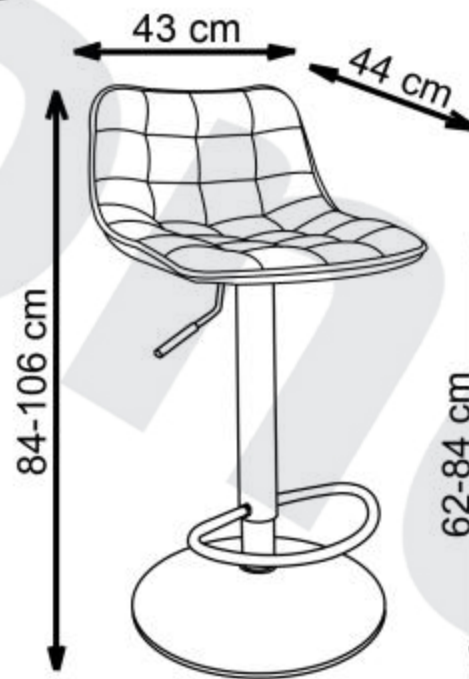
2



3



4



A		1
B		1
C		1
D		1
E		1
F		4

max. 100 kg