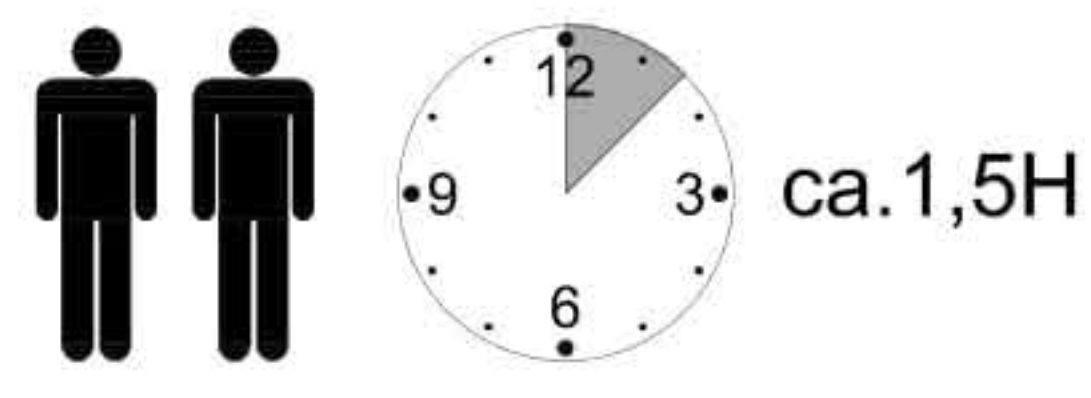
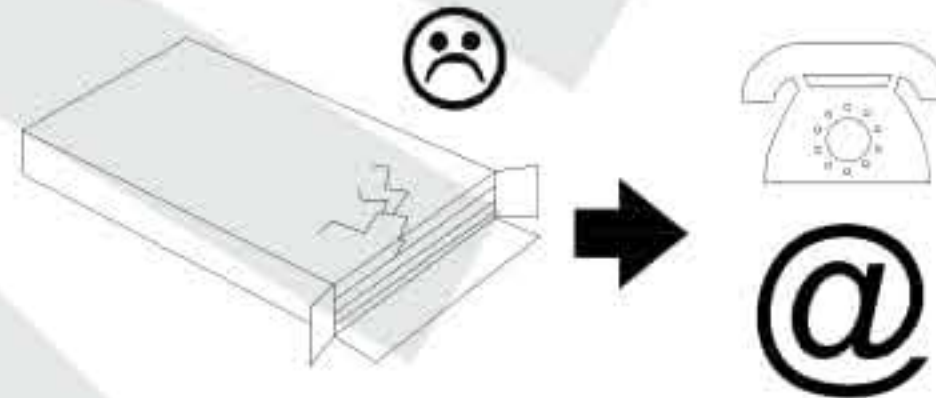
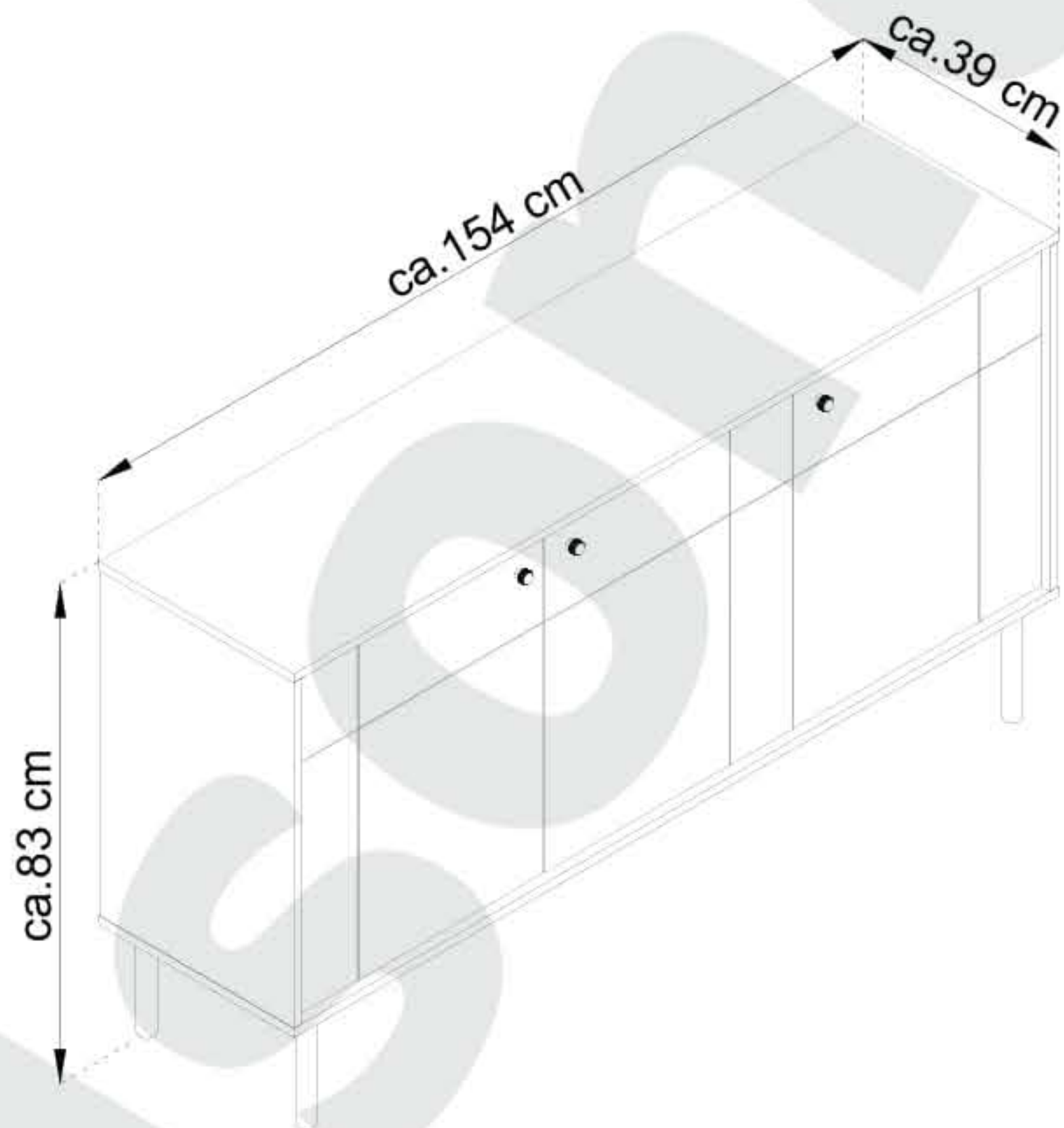
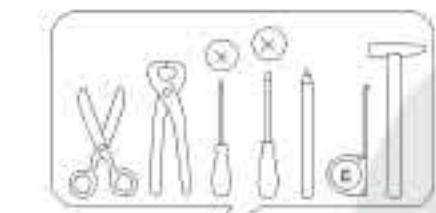
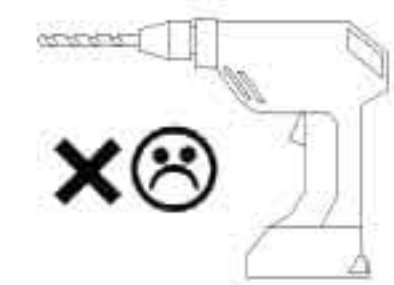
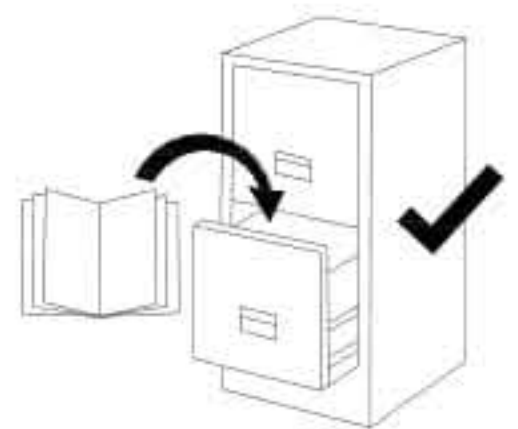
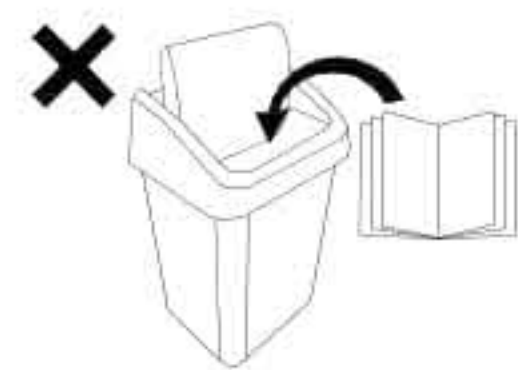
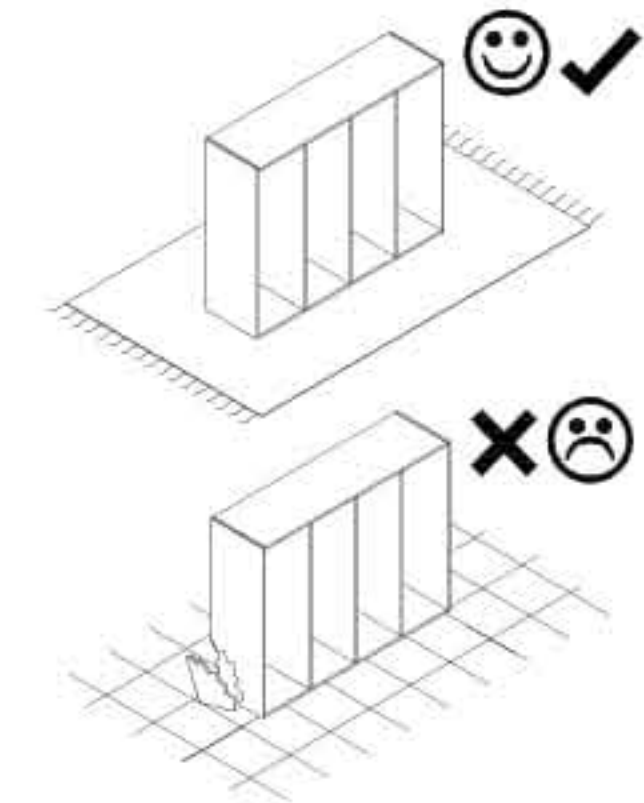
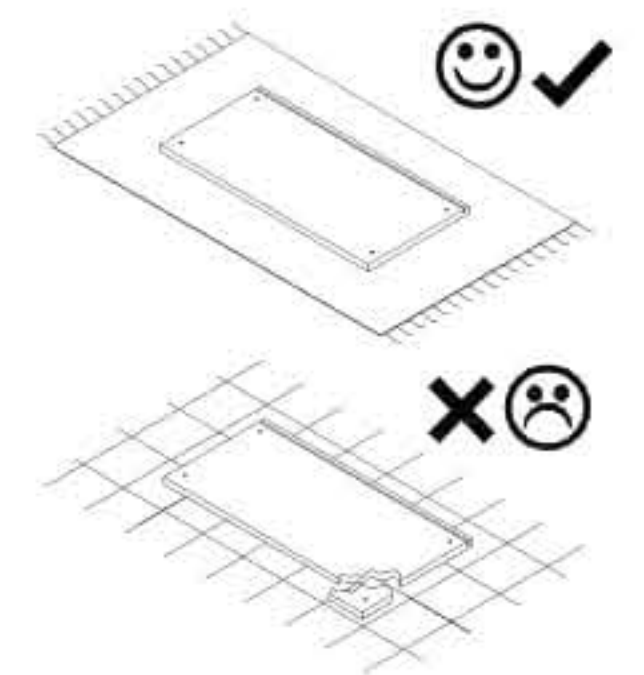


JAPANDI

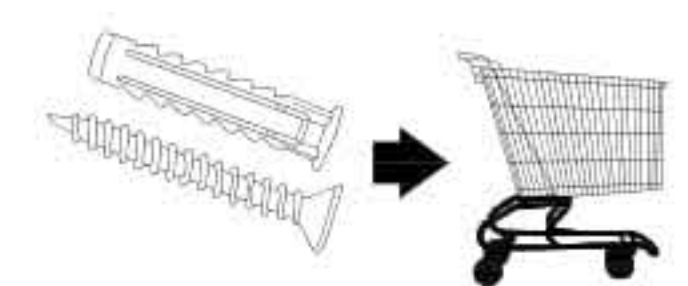
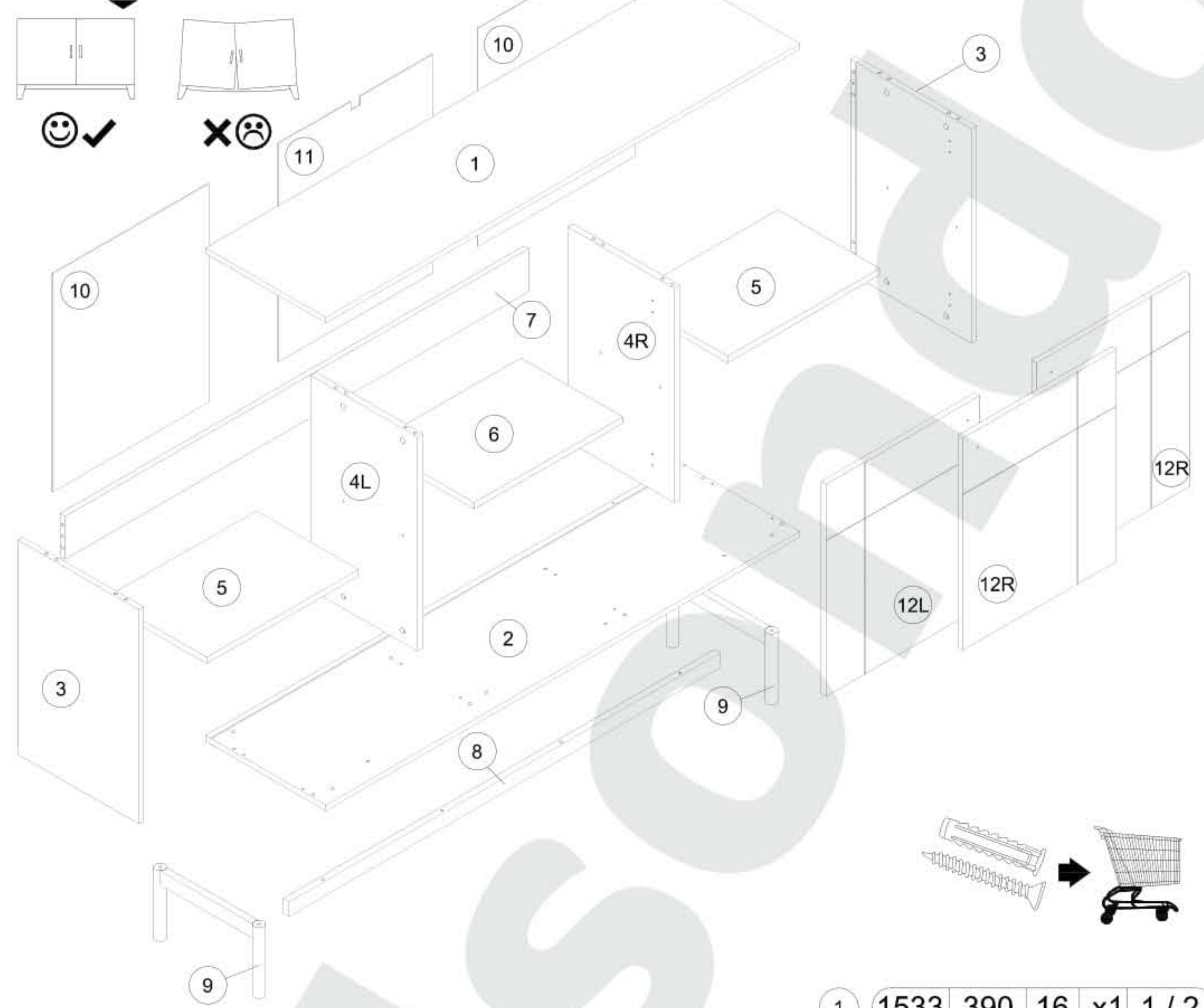
K 154



- (D) Montageanleitung
- (FR) Notice de montage
- (NL) Handleiding voor de montage
- (CZ) Montážní návod
- (HU) Szerelési útmutató
- (TR) Montaj talimatı

- (GB) Assembly Instructions
- (IT) Istruzioni di montaggio
- (PL) Instrukcja montaży
- (SK) Návod na montáž
- (RO) Instrucțiuni de montaj
- (RU) Инструкции по монтажу

max. KG = 25 kg.

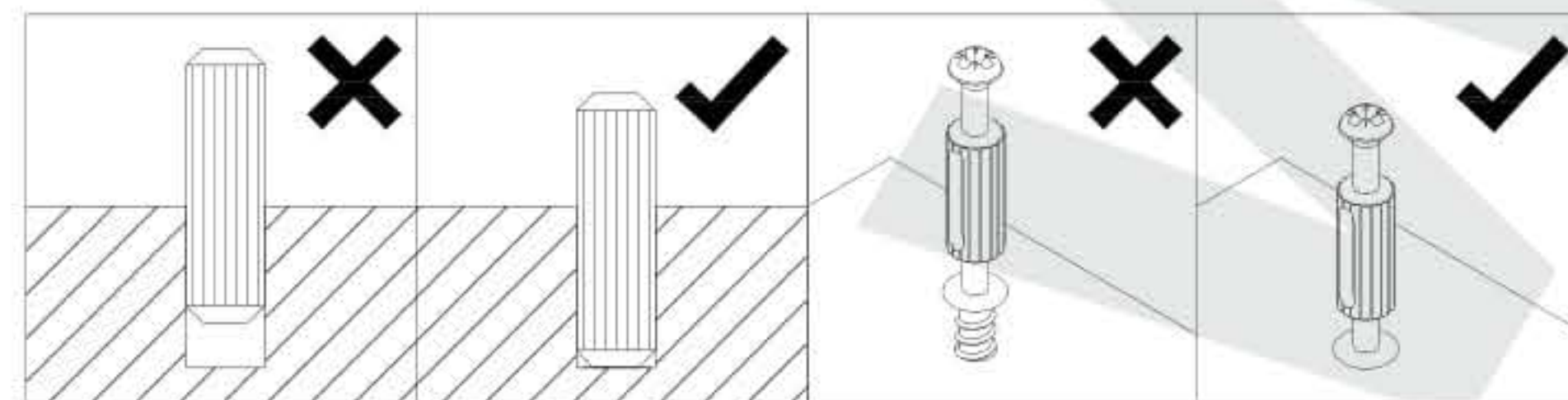
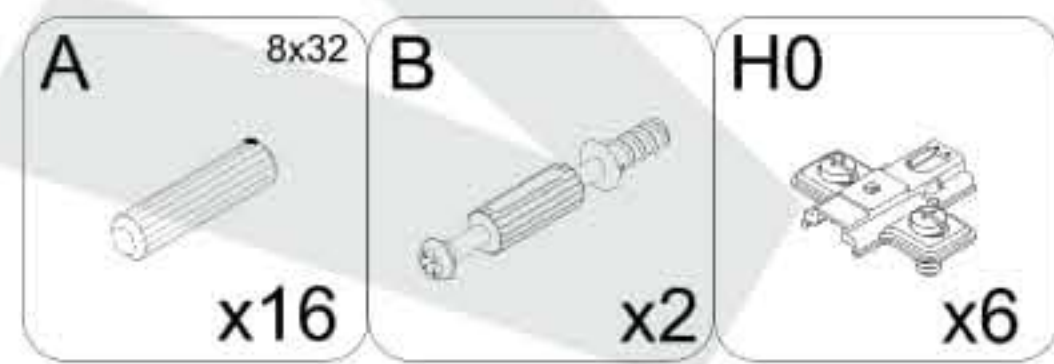
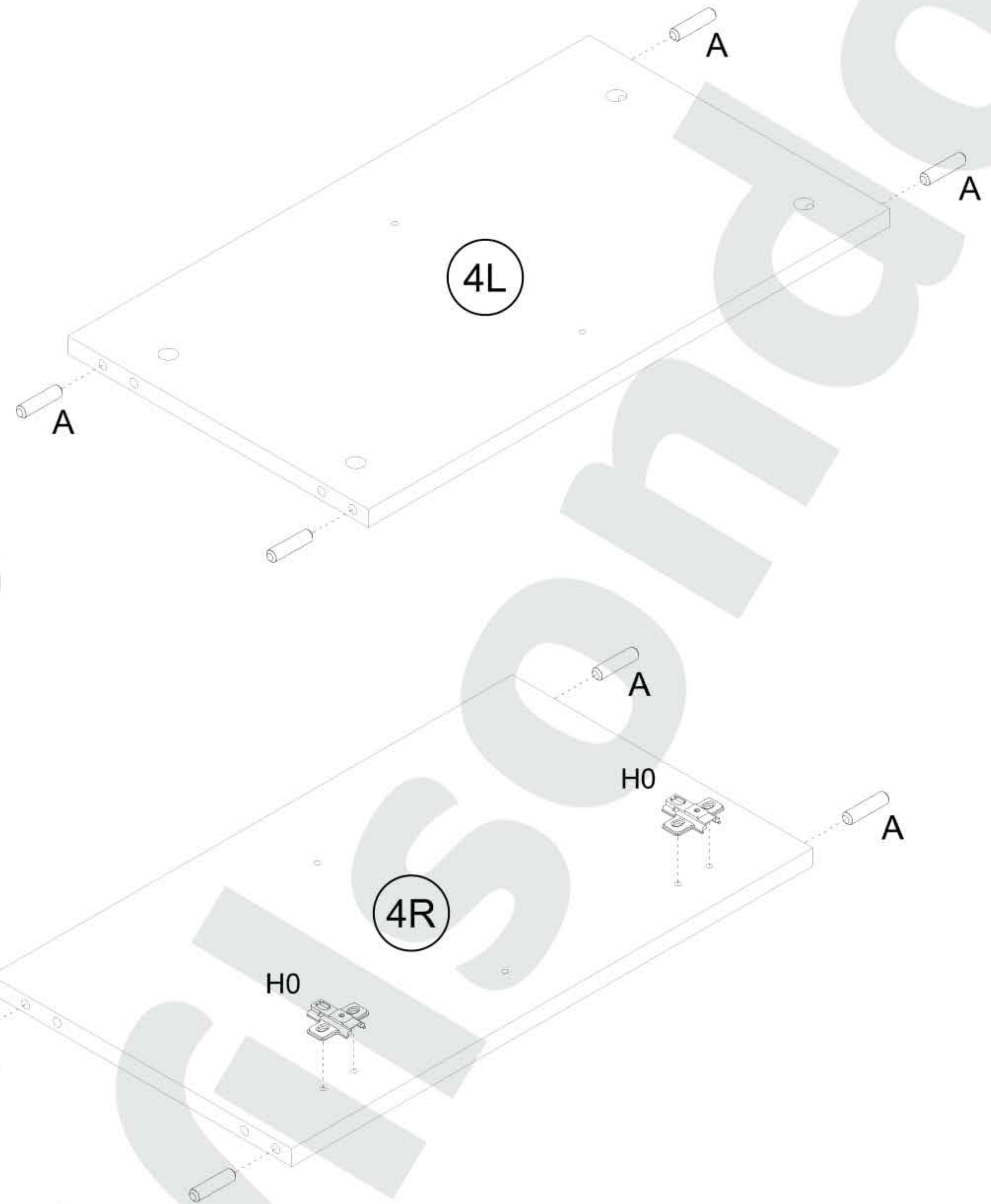
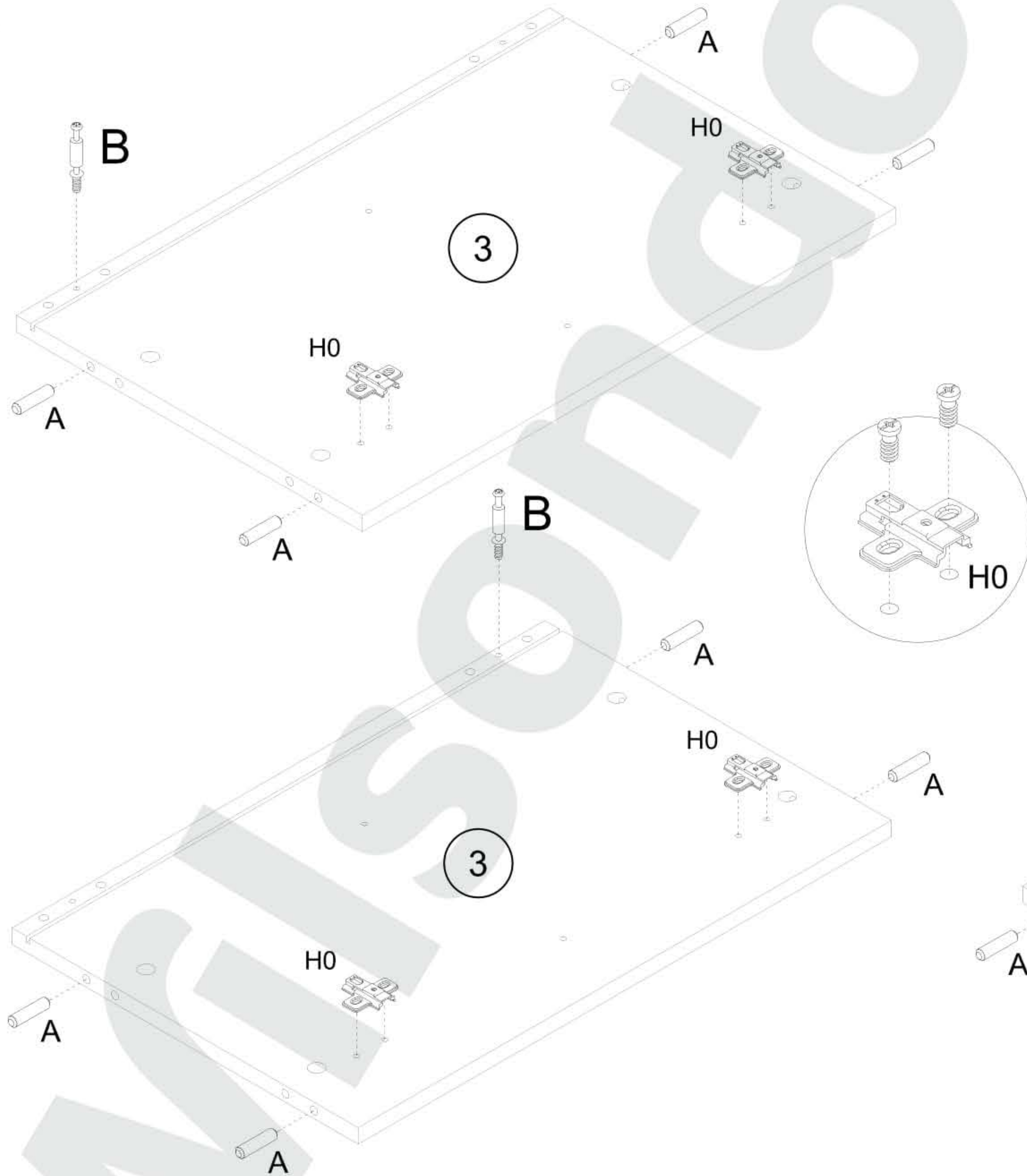


A	8x32	B		C		ZZ		ZC	
	x20		x18		x18		x12		x10
ZK		TA		W	3,5x50	YD	7x50	Z	
	x8		x1		x7		x4		x16
K	6x30	WB		PW1/2		ND	3,5x16	N	3x20
	x4		x1		x2		x13		x10
UJ		K1	4x22	WH		H0		X	
	x3		x3		x4		x6		x10

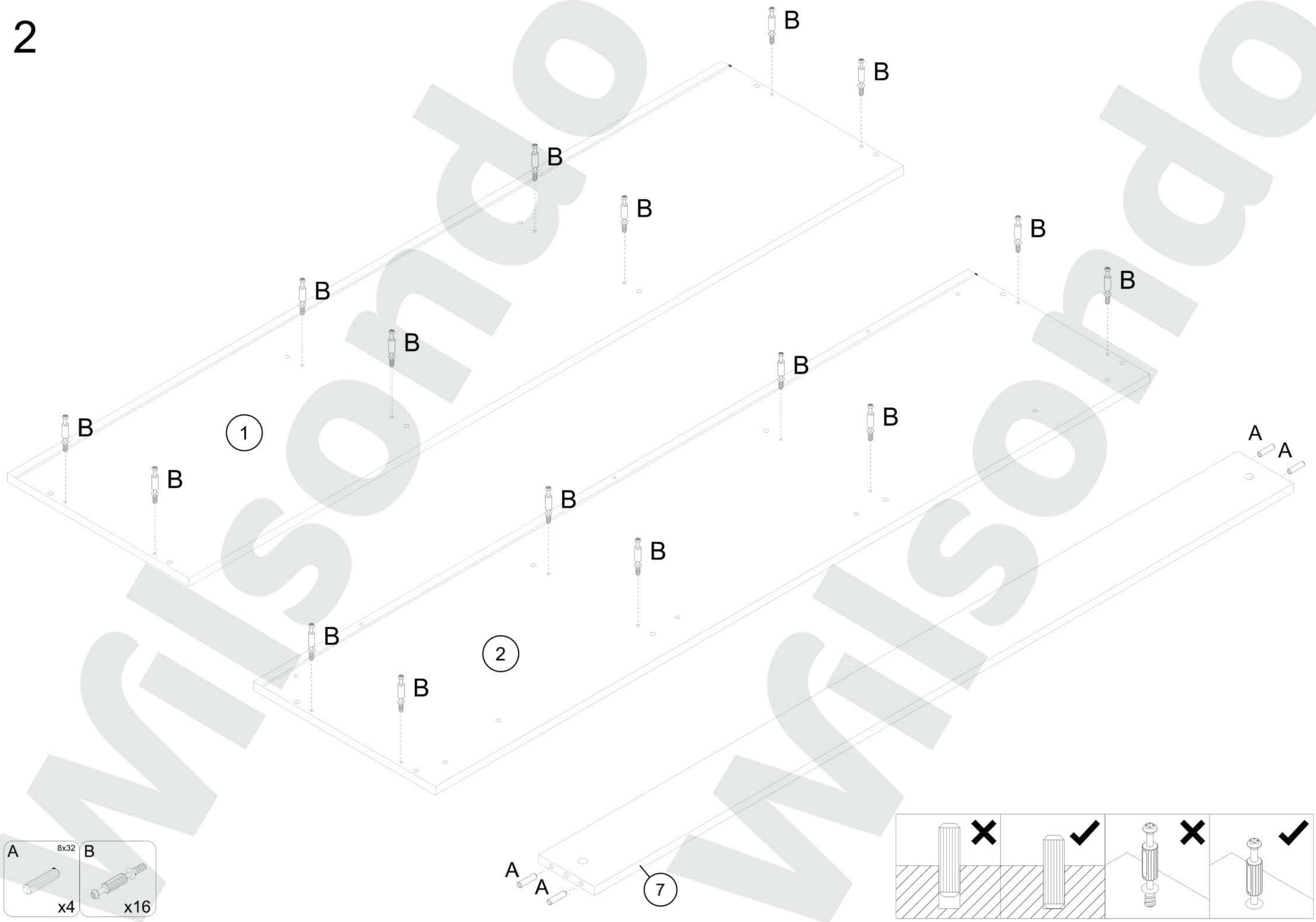
1	1533	390	16	x1	1 / 2
2	1533	390	16	x1	1 / 2
3	600	390	16	x2	1 / 2
4L	600	336	16	x1	1 / 2
4R	600	336	16	x1	1 / 2
5	492	325	16	x2	2 / 2
6	483	325	16	x1	2 / 2
7	1500	120	16	x1	1 / 2
8	1400	40	16	x1	1 / 2
9	350	200	30	x2	1 / 2
10	507	612	2.5	x2	2 / 2
11	497	612	2.5	x1	2 / 2
12L	594	496	16	x1	2 / 2
12R	594	496	16	x2	2 / 2

07.08.2024

1

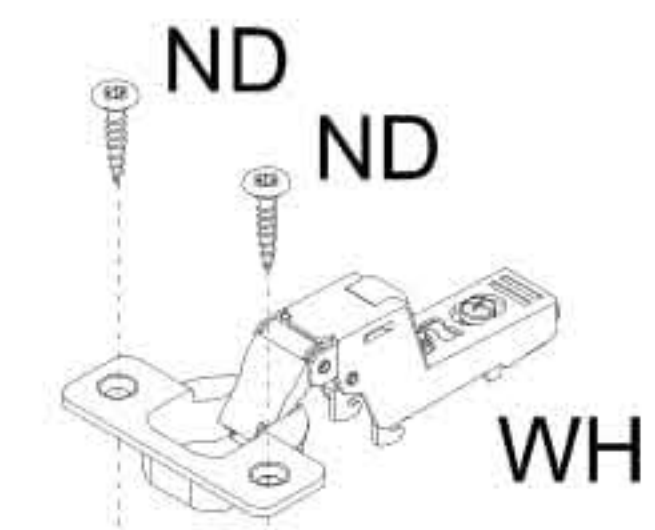
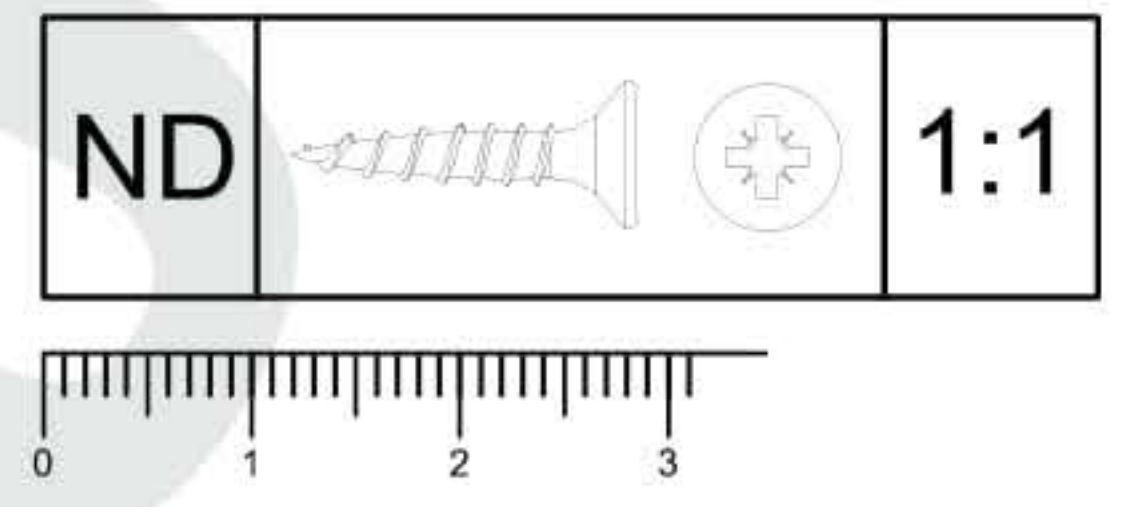
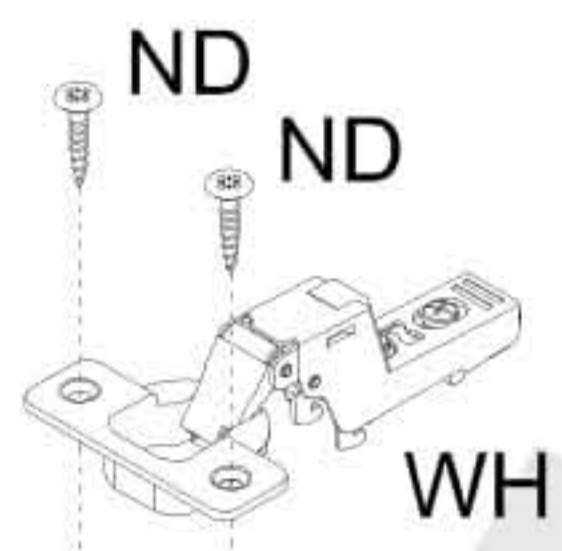
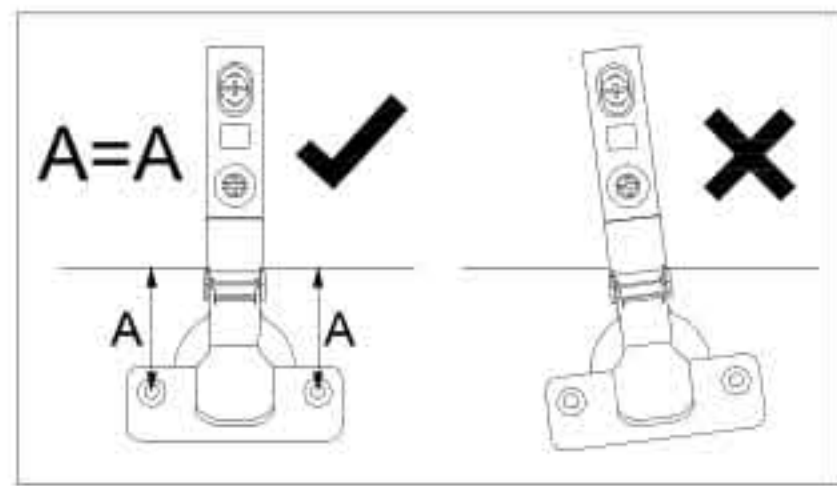


2



A 8x32 **B**
x4 x16

3

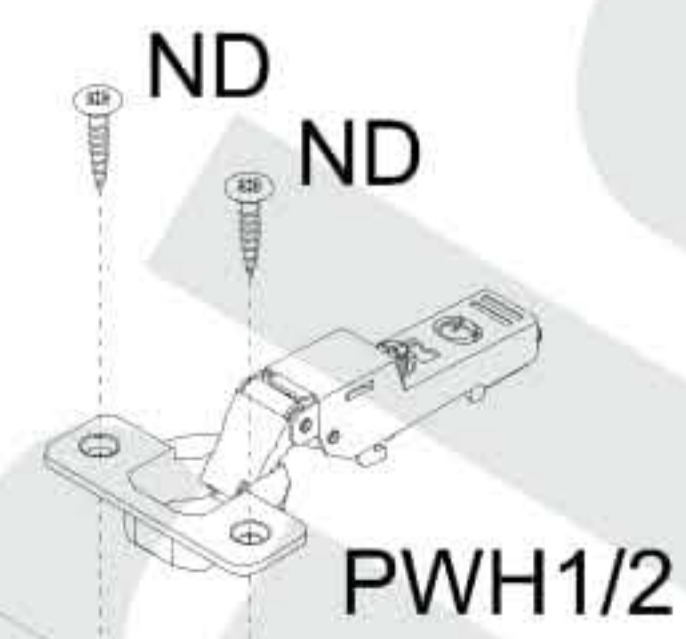
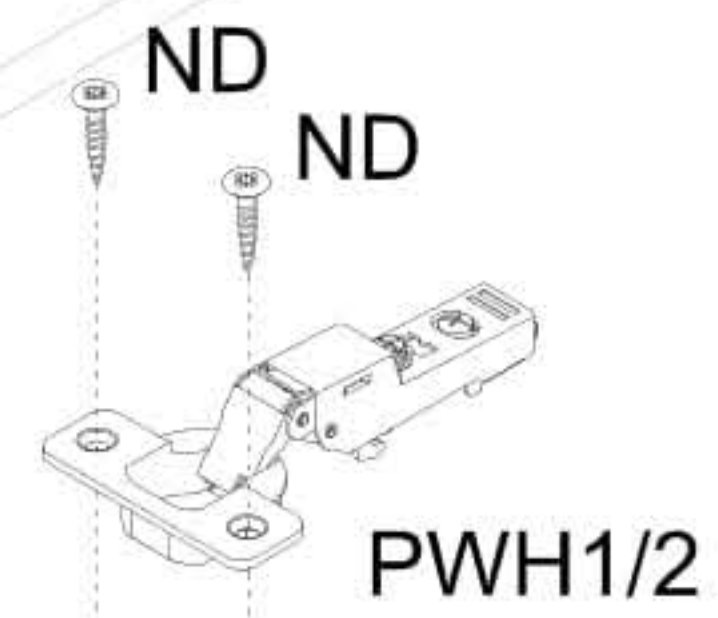


1

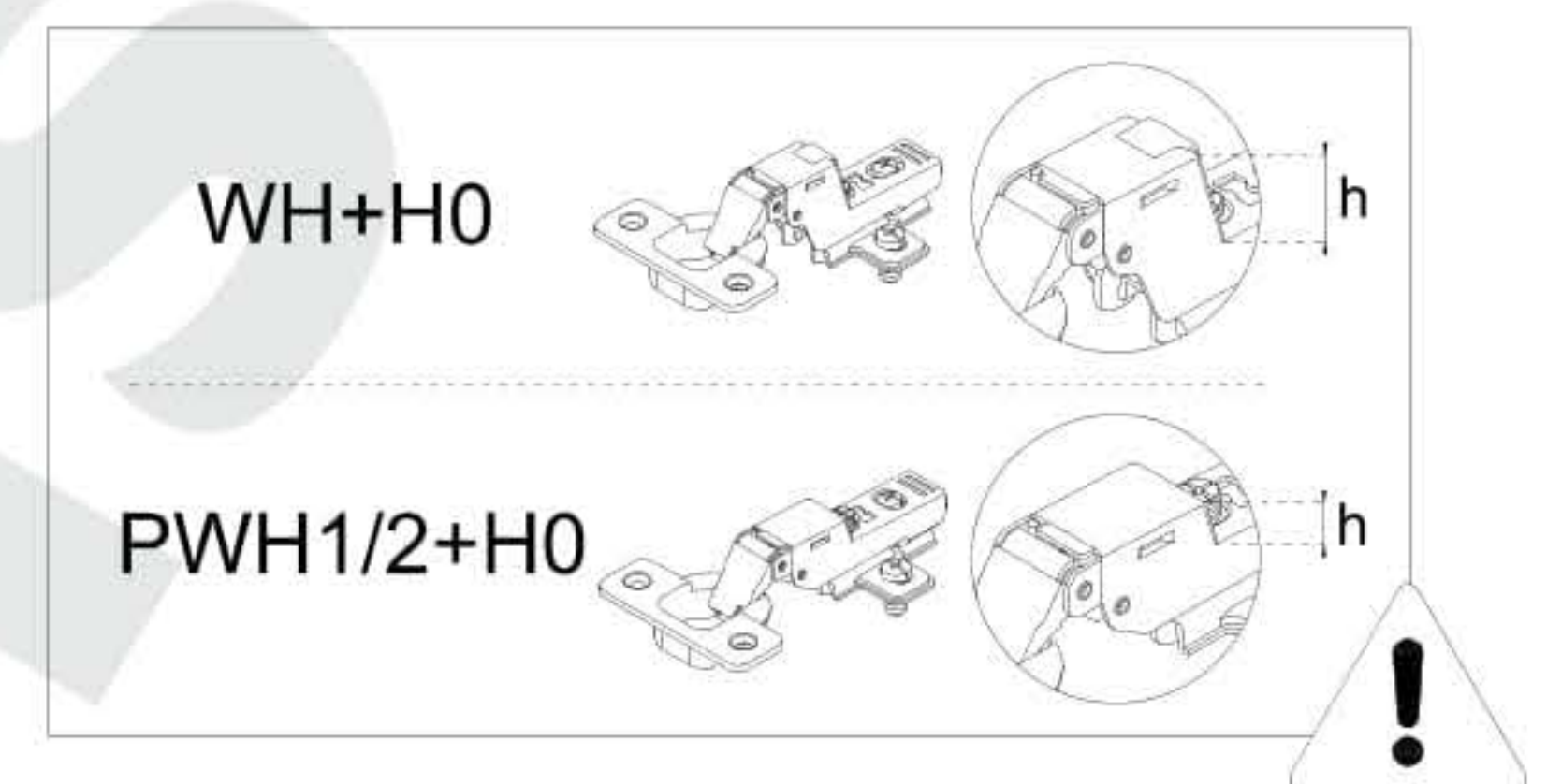
3

12L

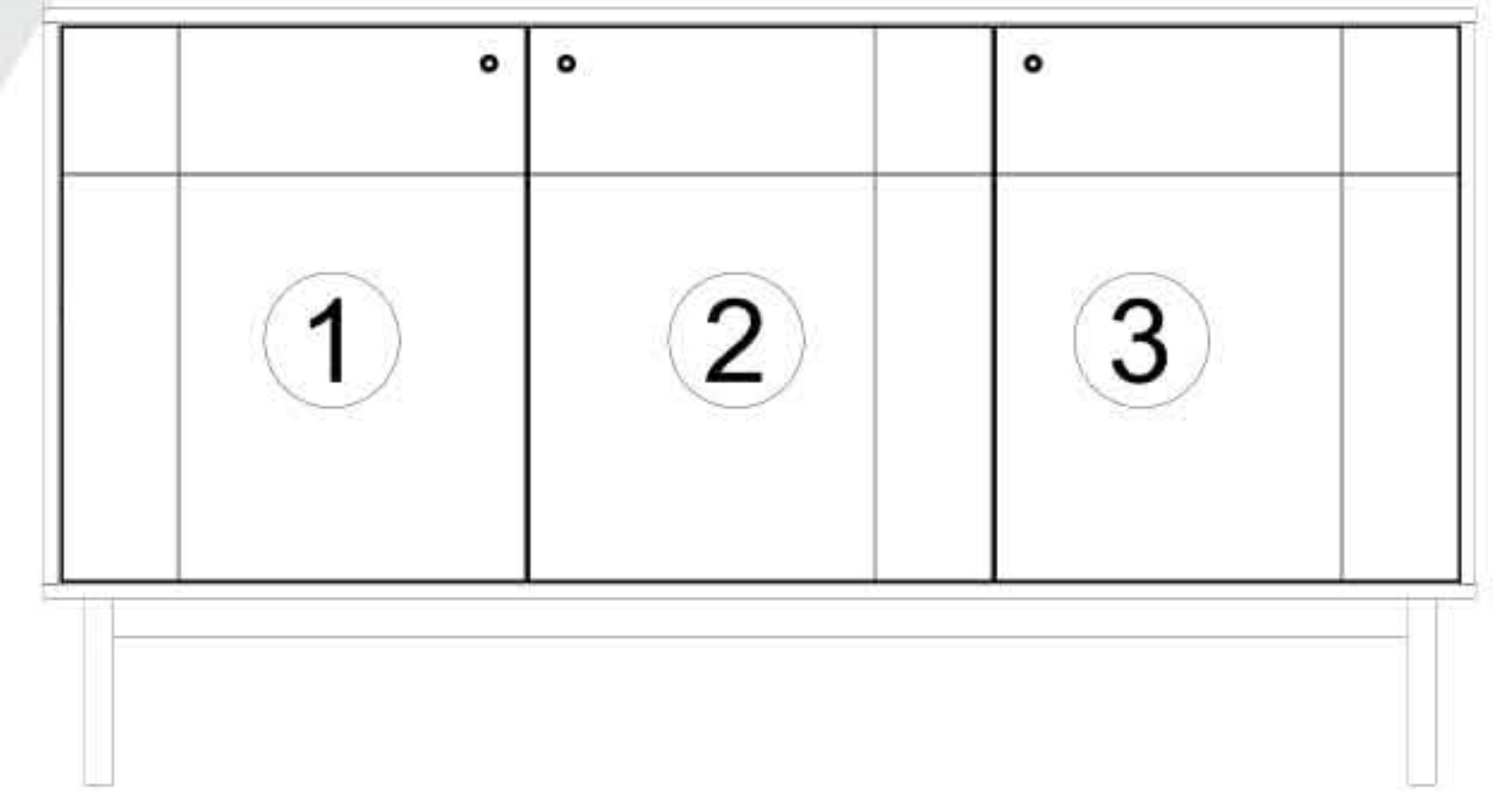
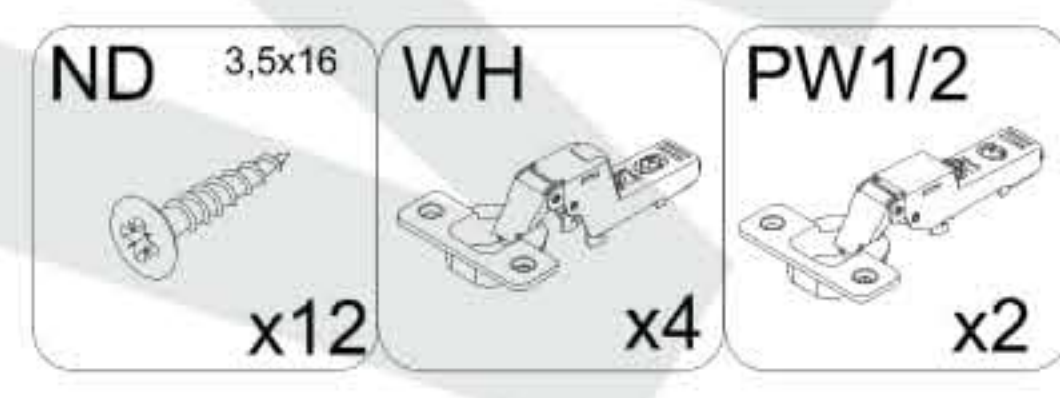
12R



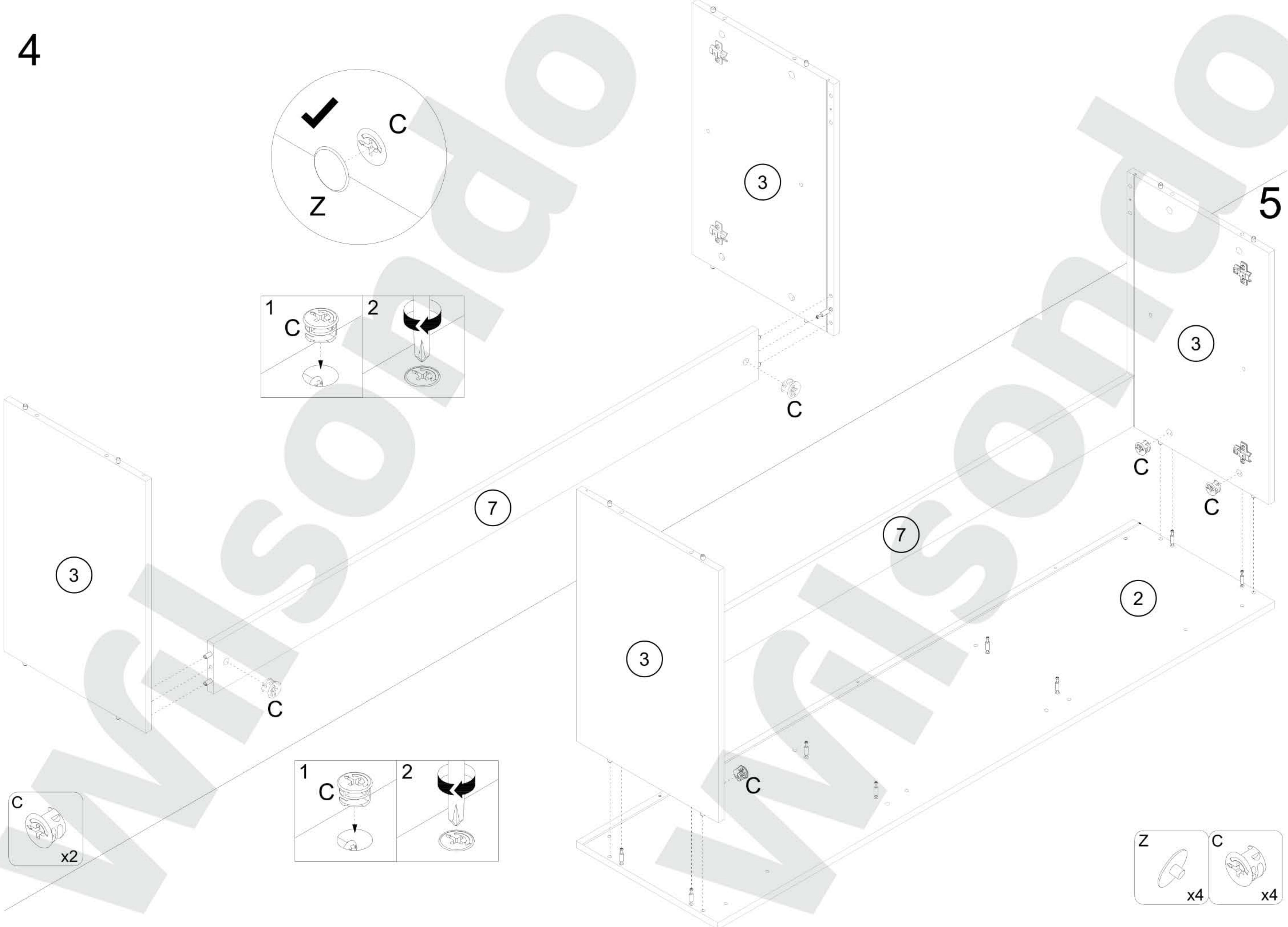
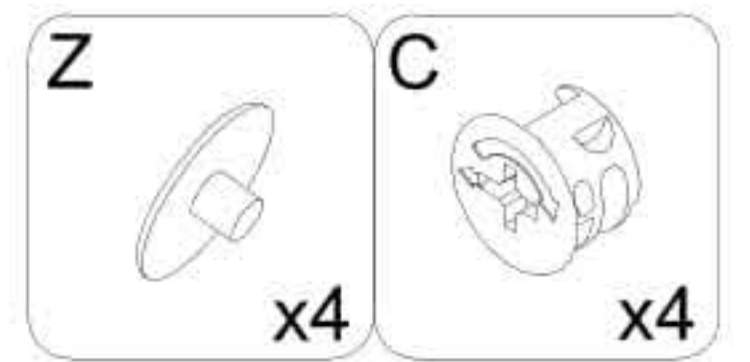
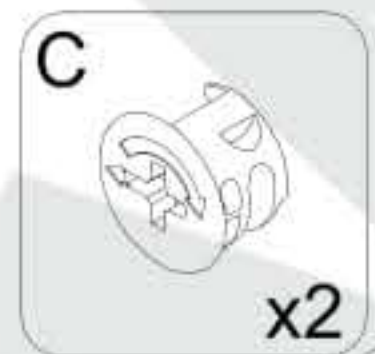
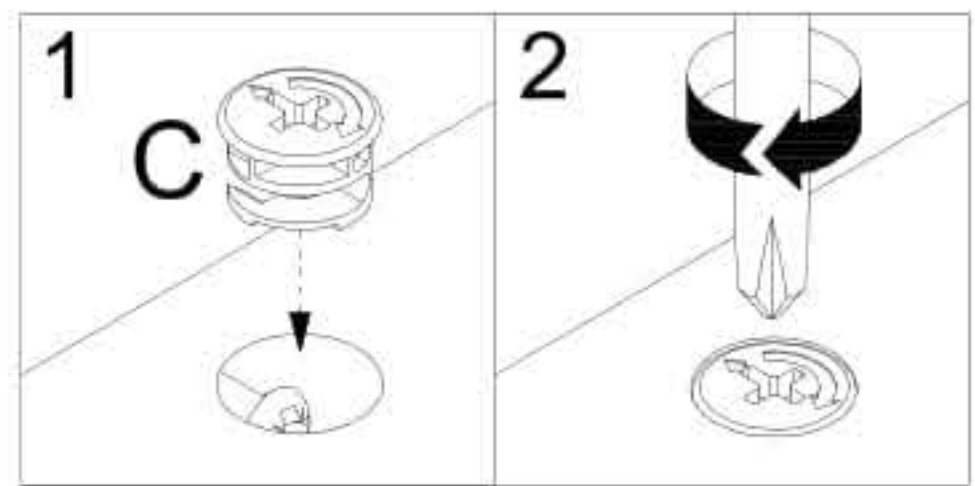
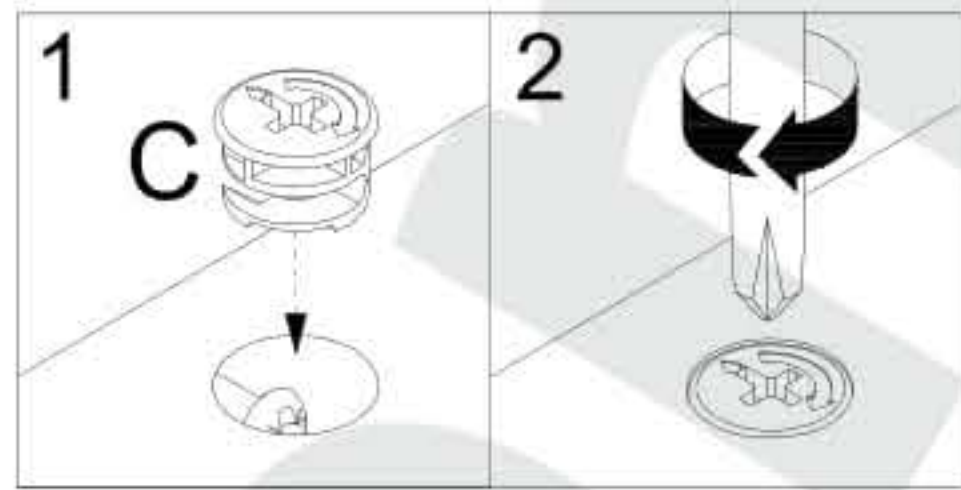
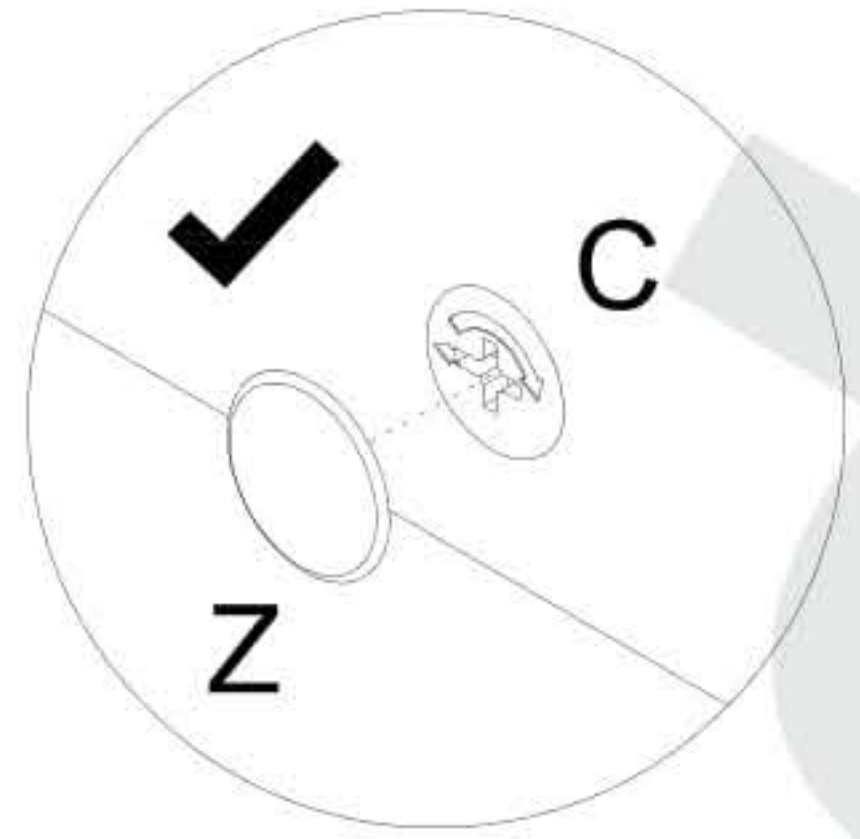
2



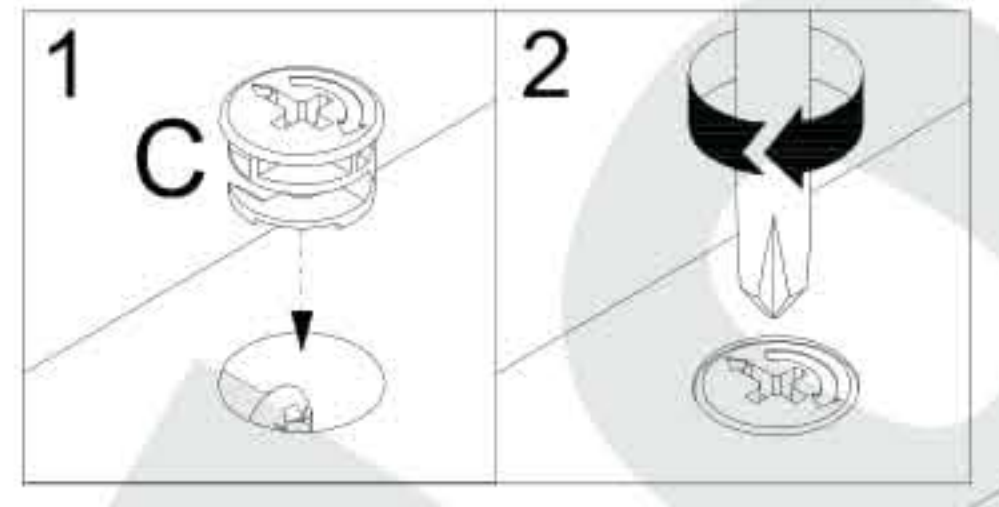
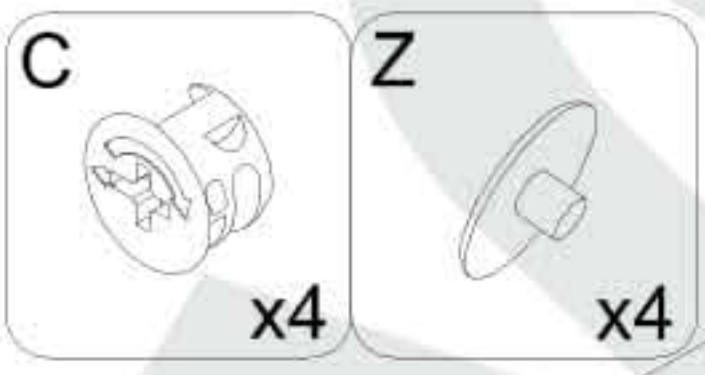
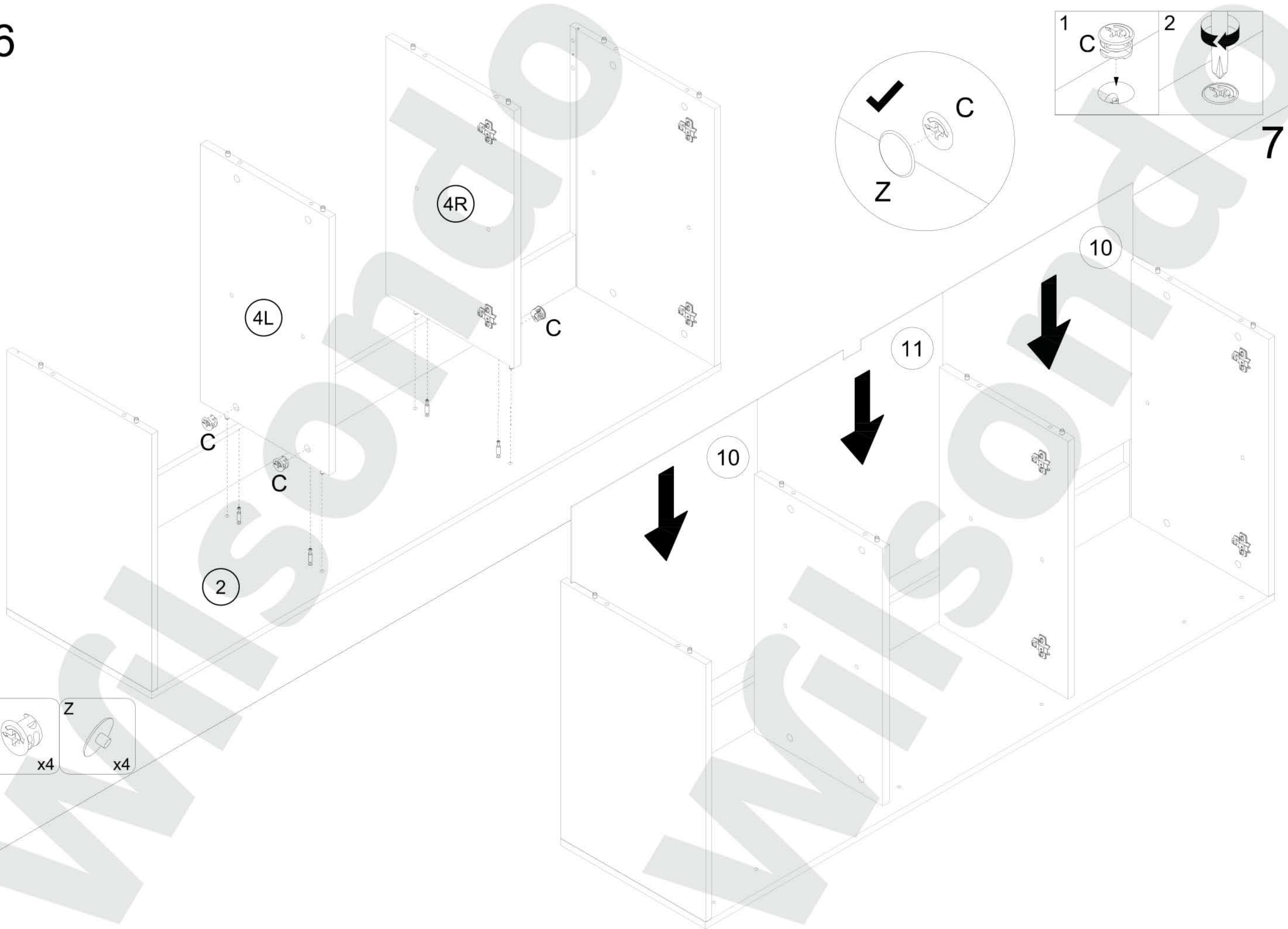
12R



4

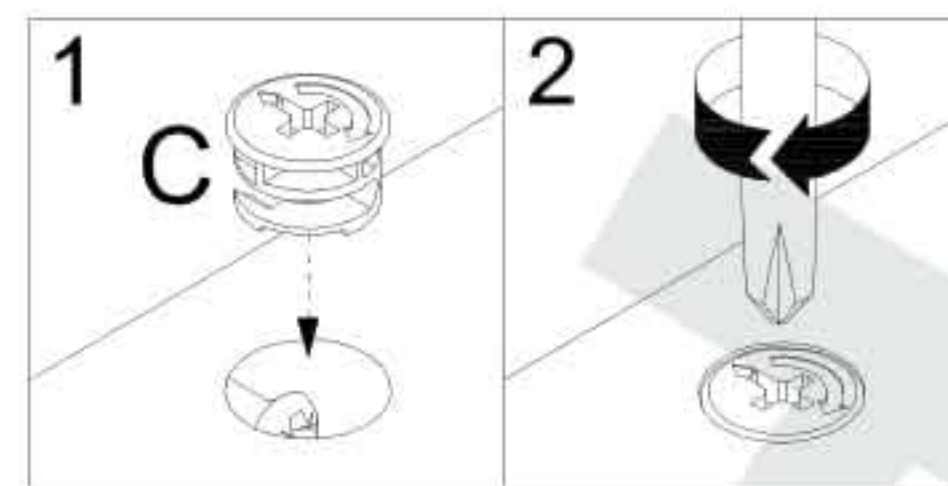
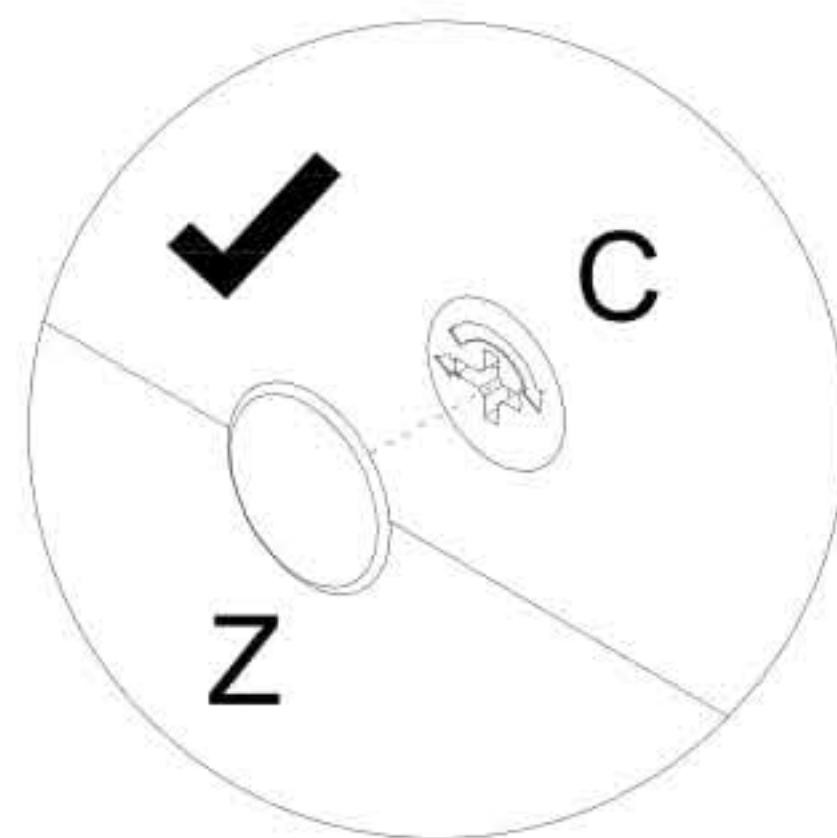
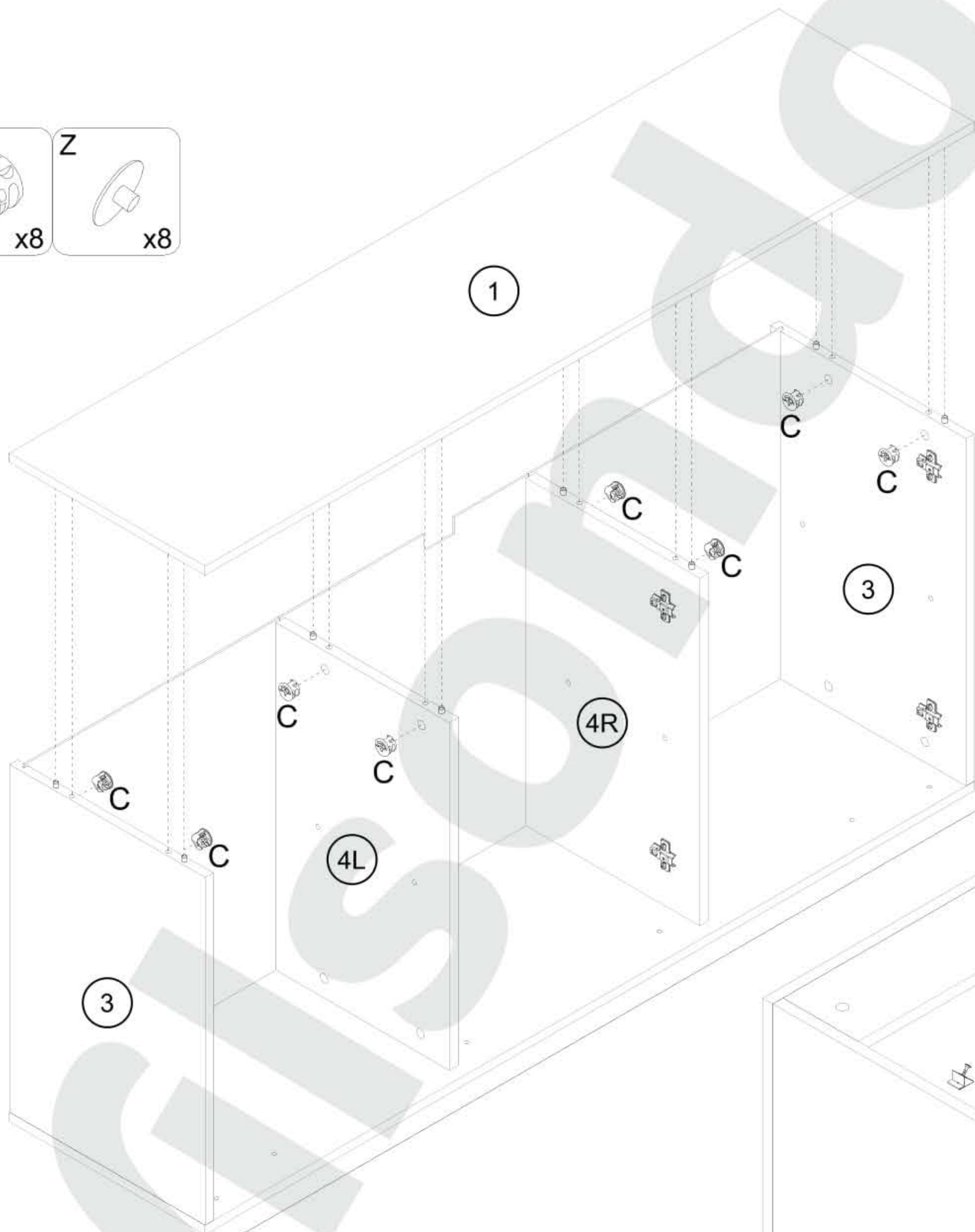
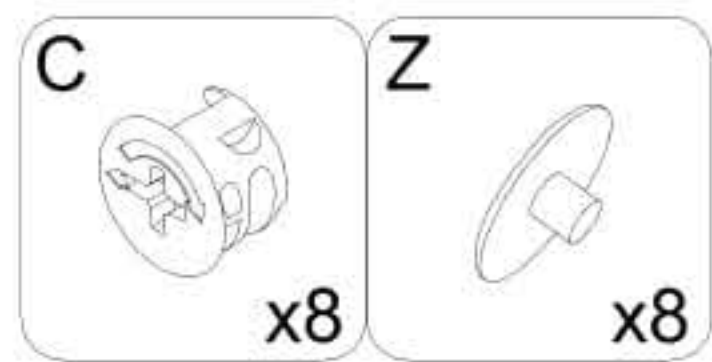


6

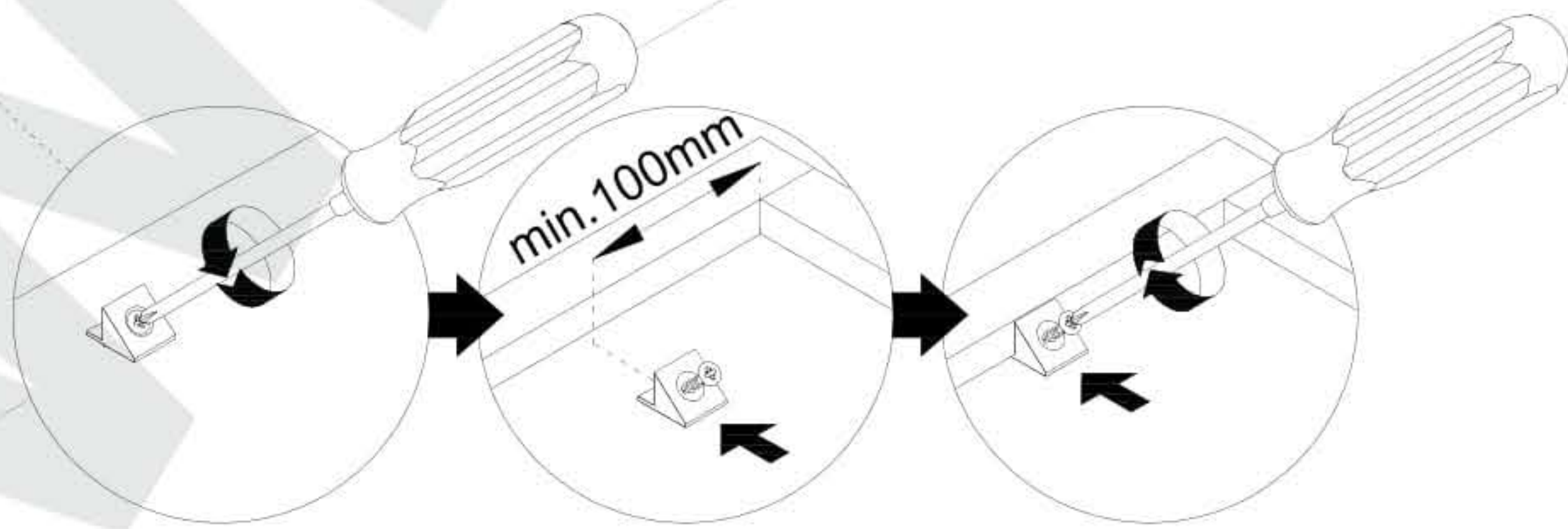
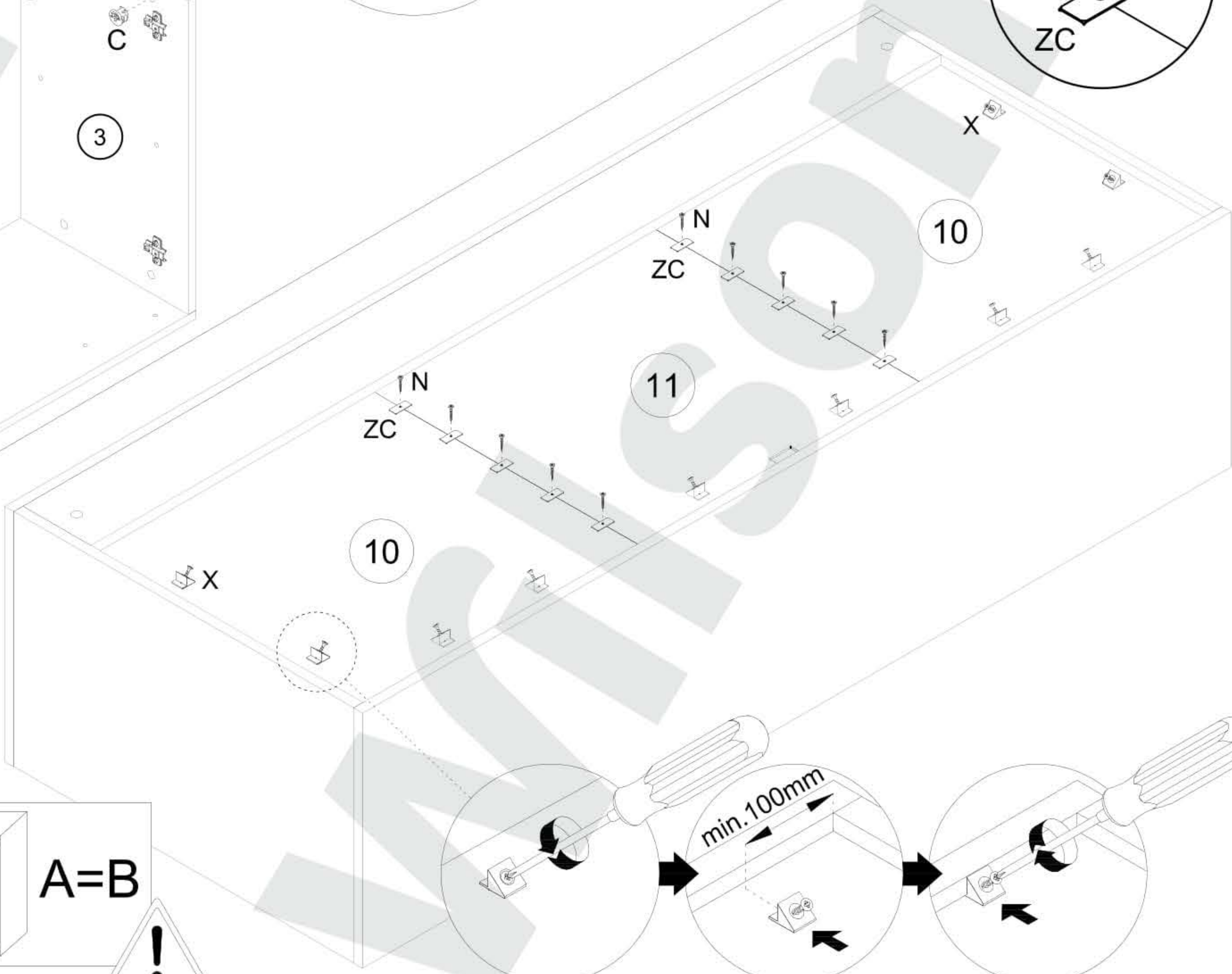
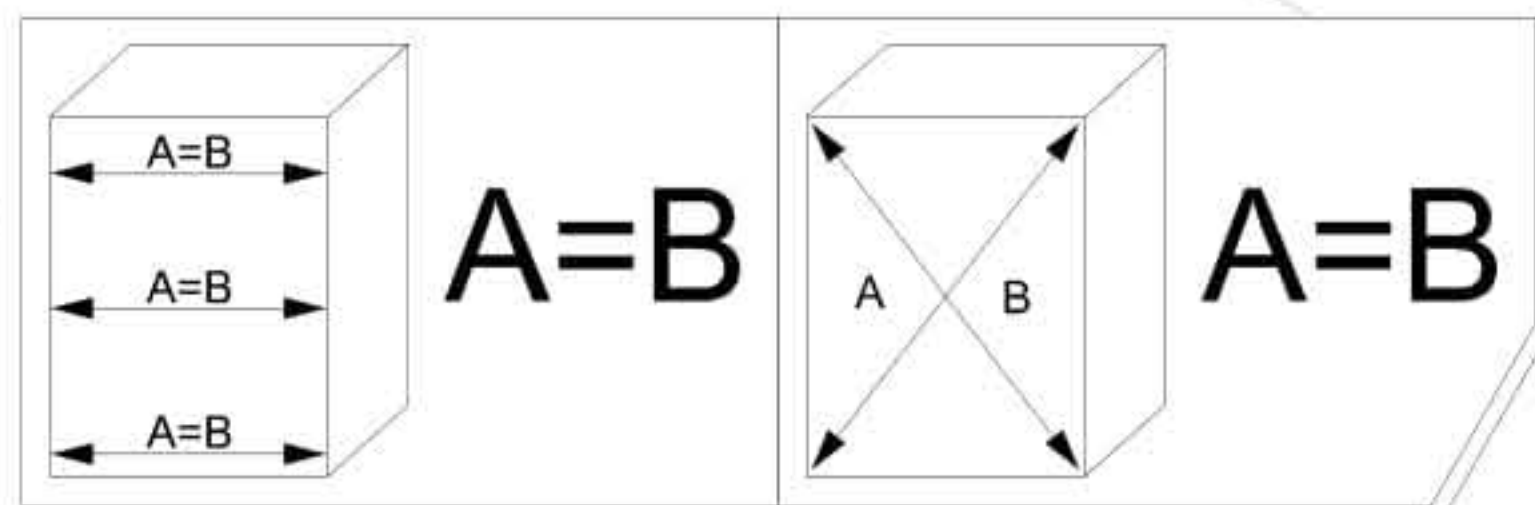
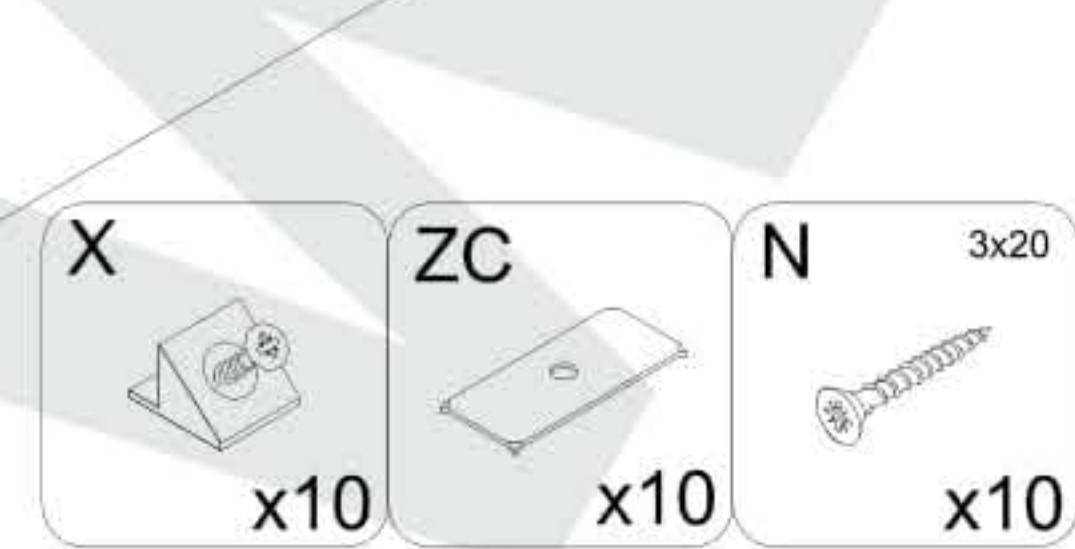
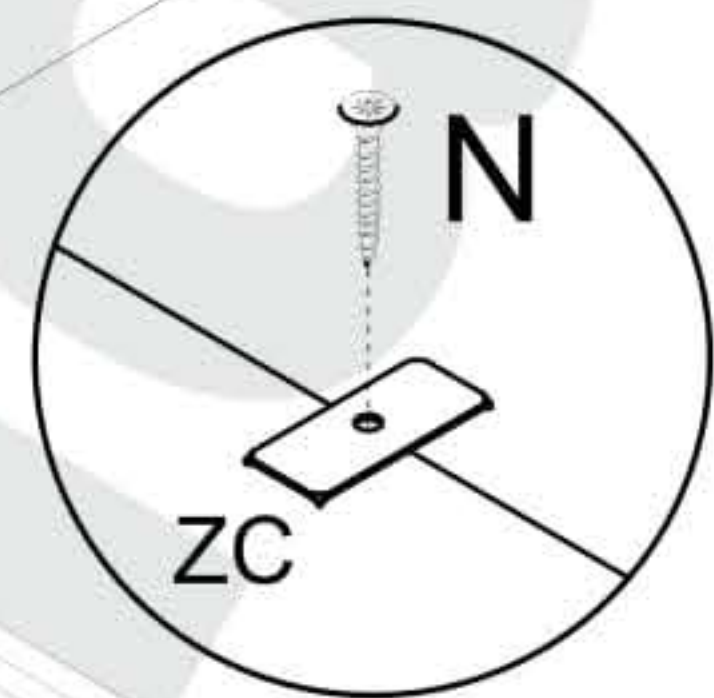


7

8

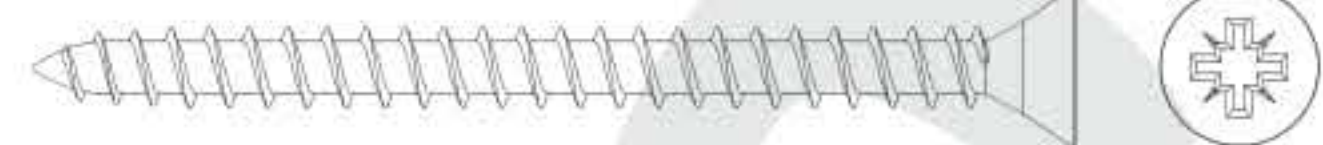


9

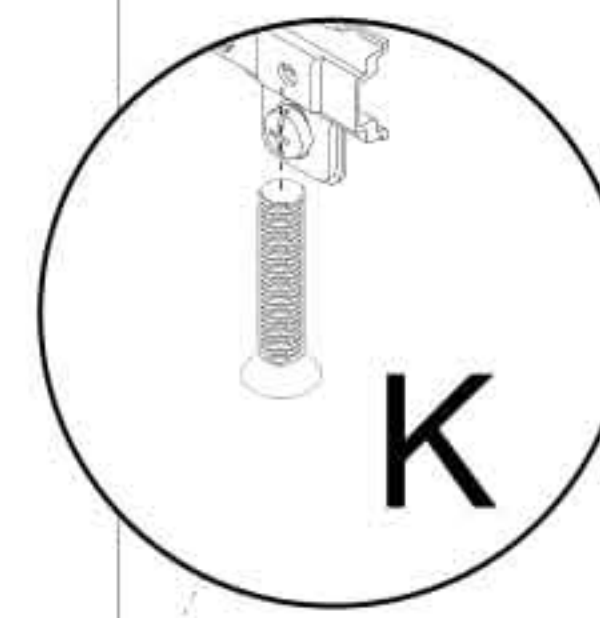
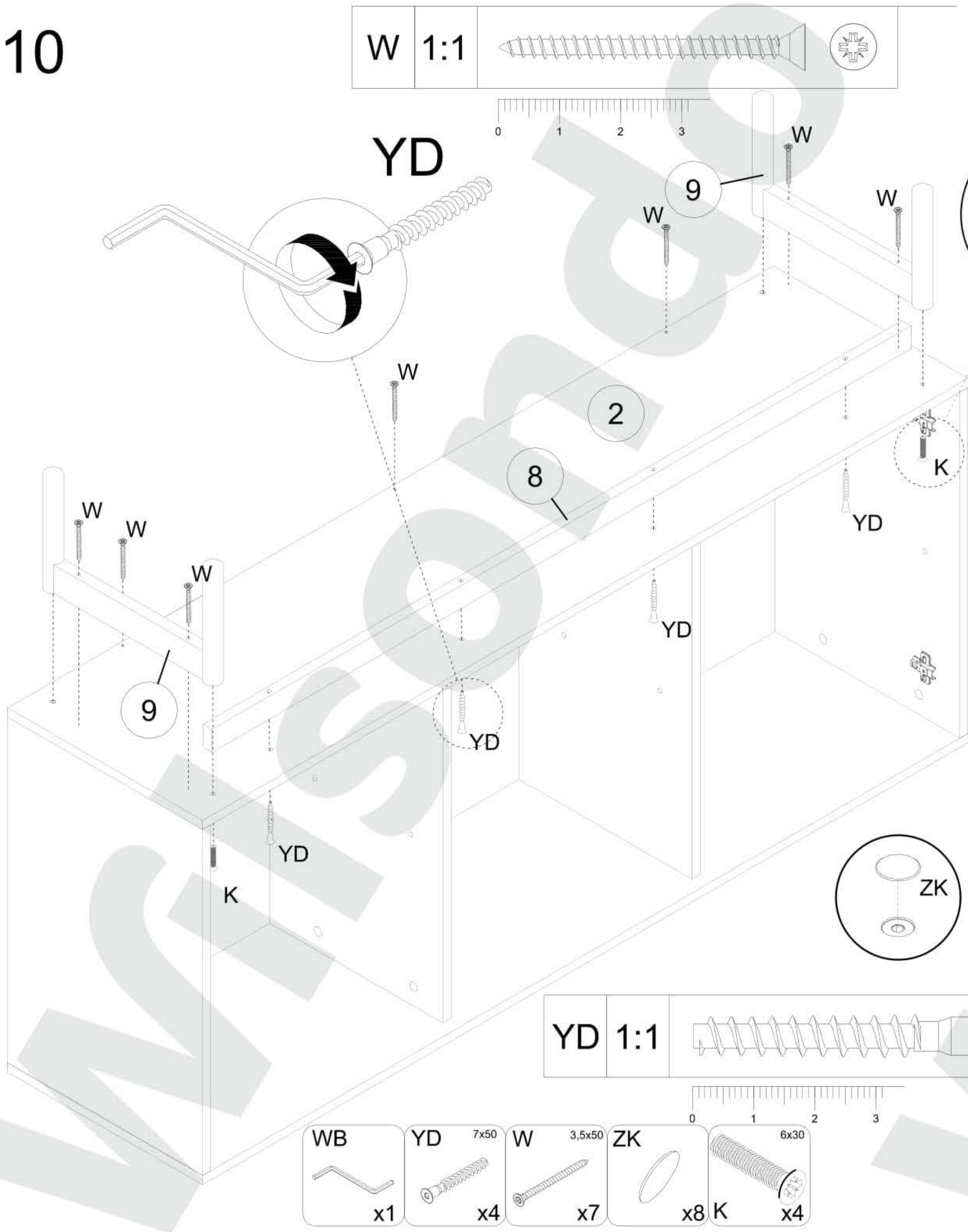


10

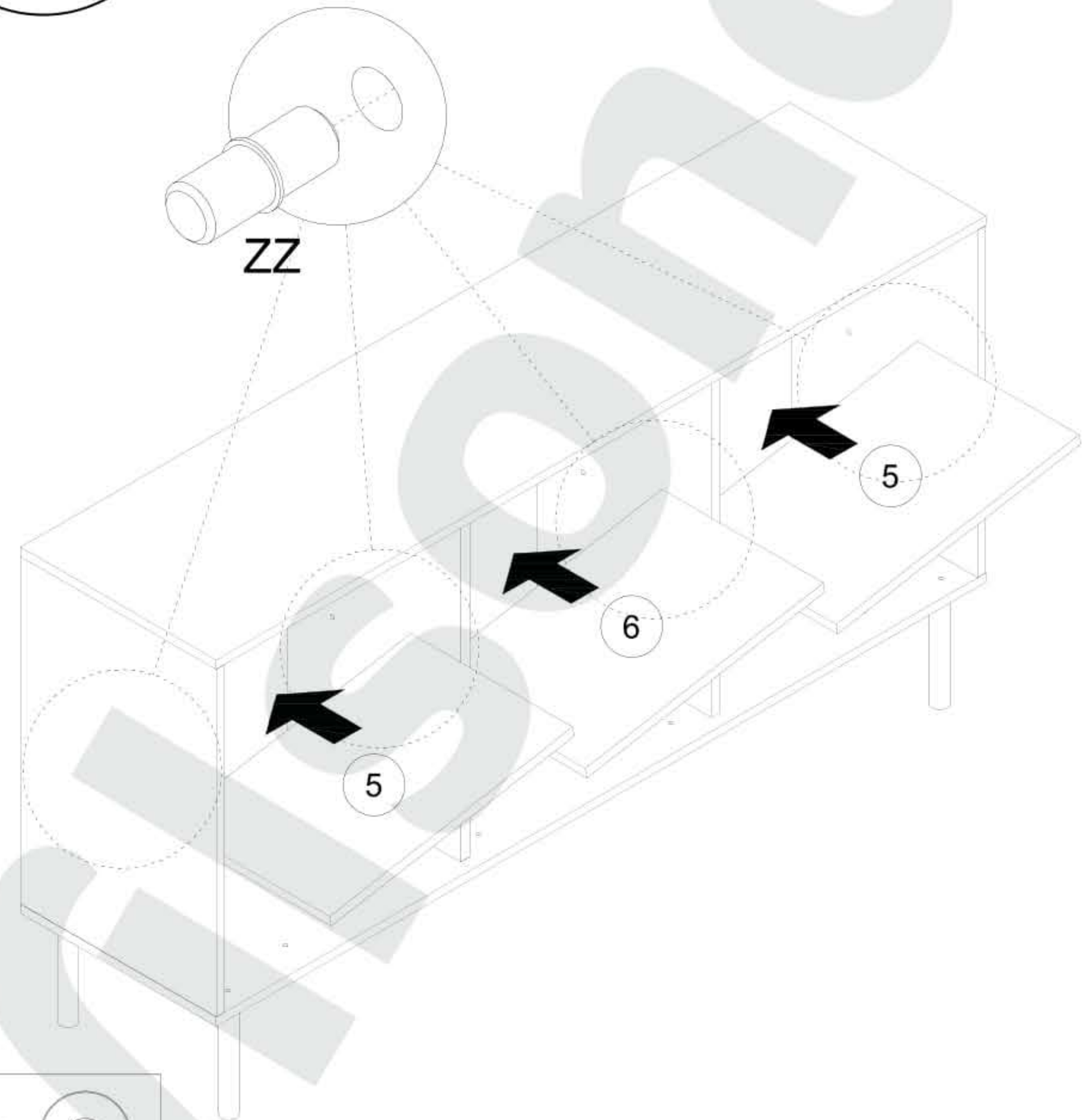
W 1:1



11



ZZ



YD 1:1



- | | | | | |
|---------------------|--------------------------|---------------------------|---------------------|-------------------------|
| WB

x1 | YD 7x50

x4 | W 3,5x50

x7 | ZK

x8 | K 6x30

x4 |
|---------------------|--------------------------|---------------------------|---------------------|-------------------------|

- | |
|----------------------|
| ZZ

x12 |
|----------------------|

12

