

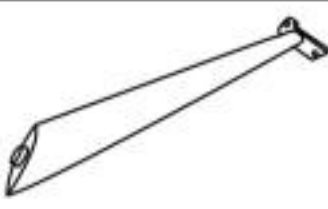




K571

A 1x	B 1x	C 4x	D 4x	E 8x	F 4x	G 1x
			 M6*12mm	 M6*18mm	