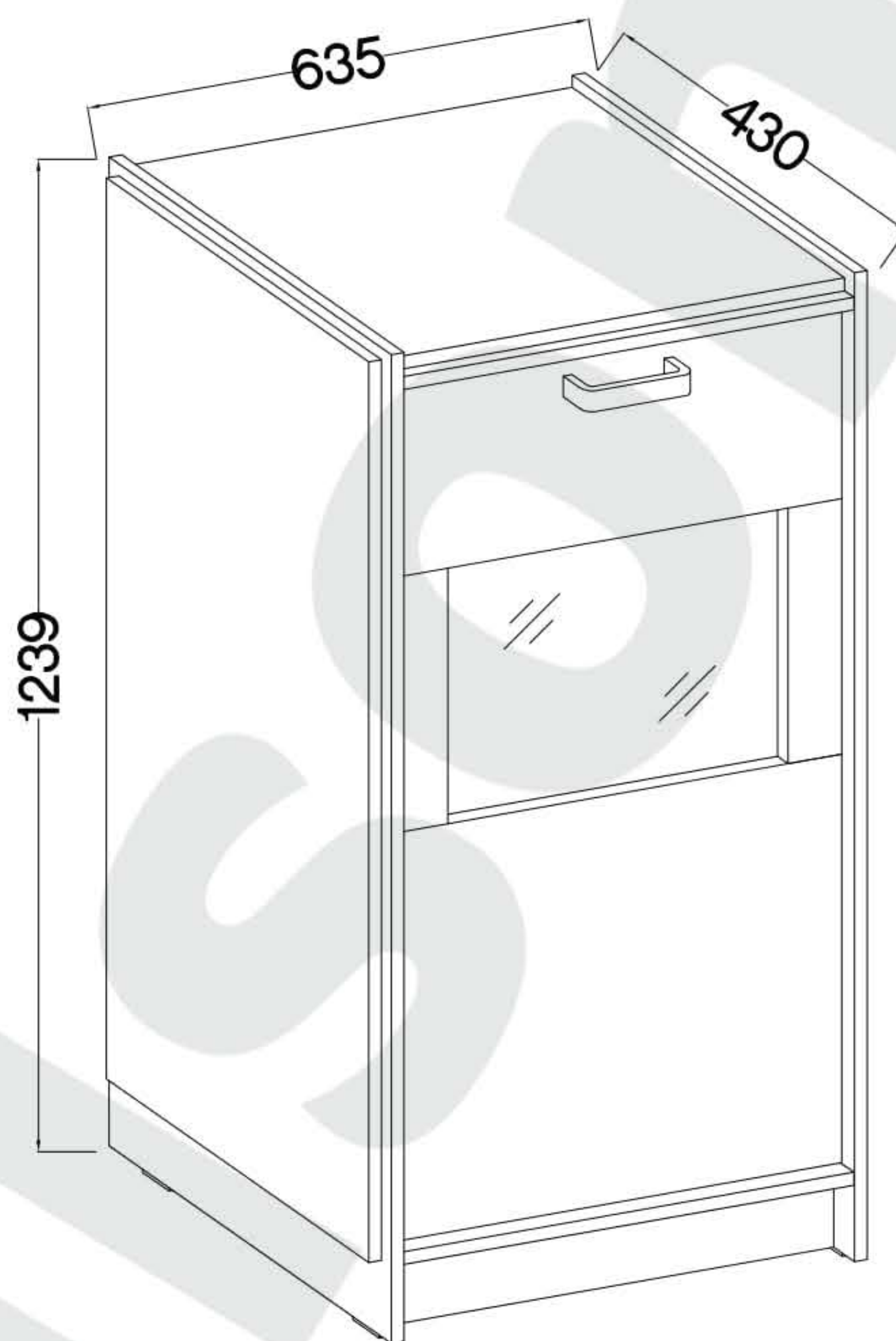


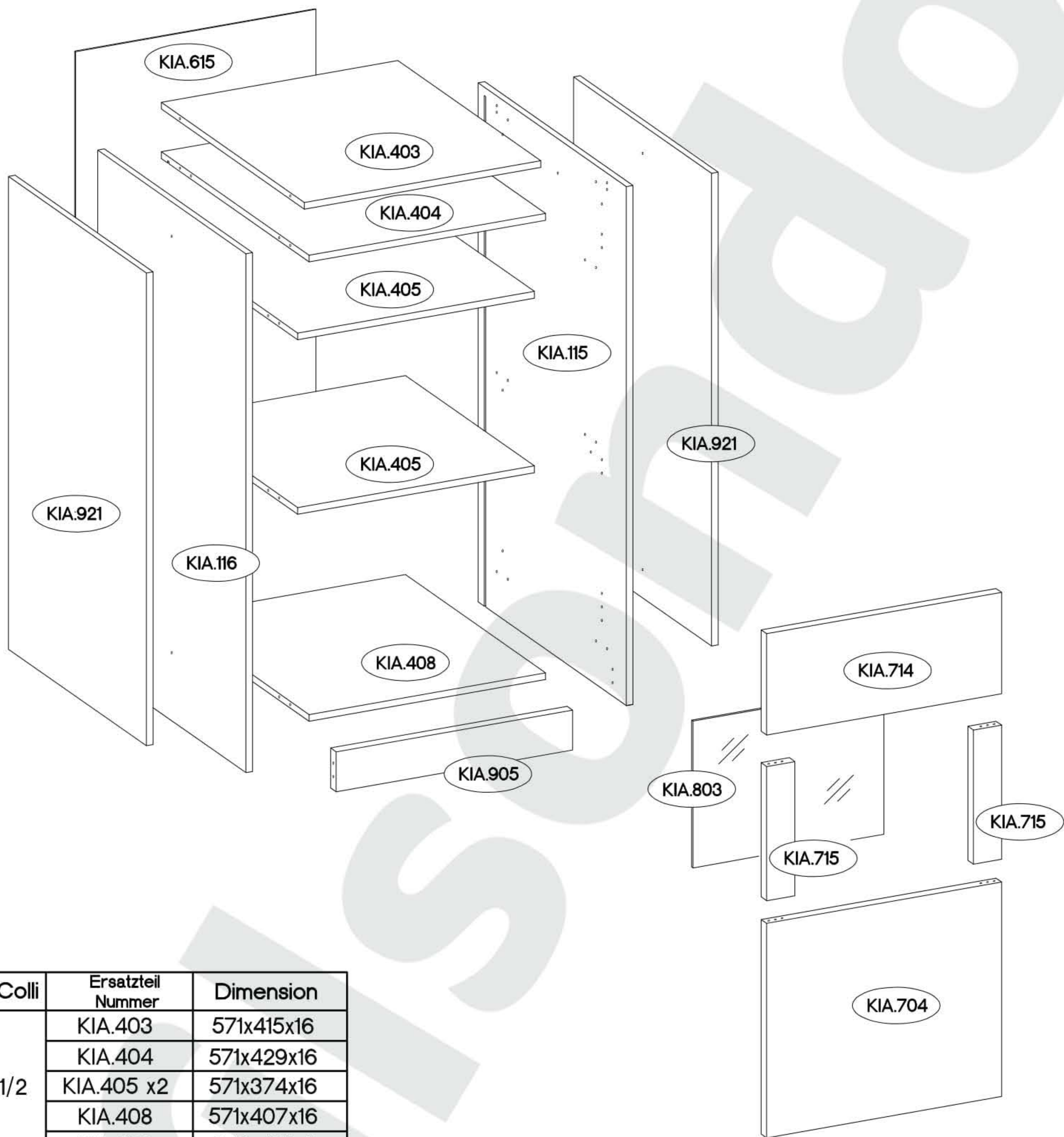
90 min

TYP 031



†8x30mm A 24	†8x60mm A2 8	†8x20mm A4 4	†15/12mm C 24	L=20mm D2 16	L=40mm D12 4	 E cza. 12	 E art. 8	†35mm E5 3	6.5x48x16 F2 4	†35/16mm HG2 3
 J8 6	 L 10	 L9 1	 O1 1	†10x50mm O7 1	†3.5x13mm P5 7	†3.0x20mm P7 12	†3.0x16mm P11 6	†3.5x25mm BLACK P25 15	L=128mm S 1	M4x22mm U 2

ISM-KIA-011




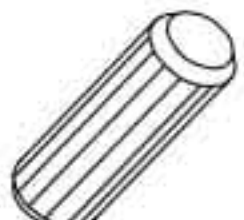

Colli	Ersatzteil Nummer	Dimension
1/2	KIA.403	571x415x16
	KIA.404	571x429x16
	KIA.405 x2	571x374x16
	KIA.408	571x407x16
	KIA.803	349x461x4

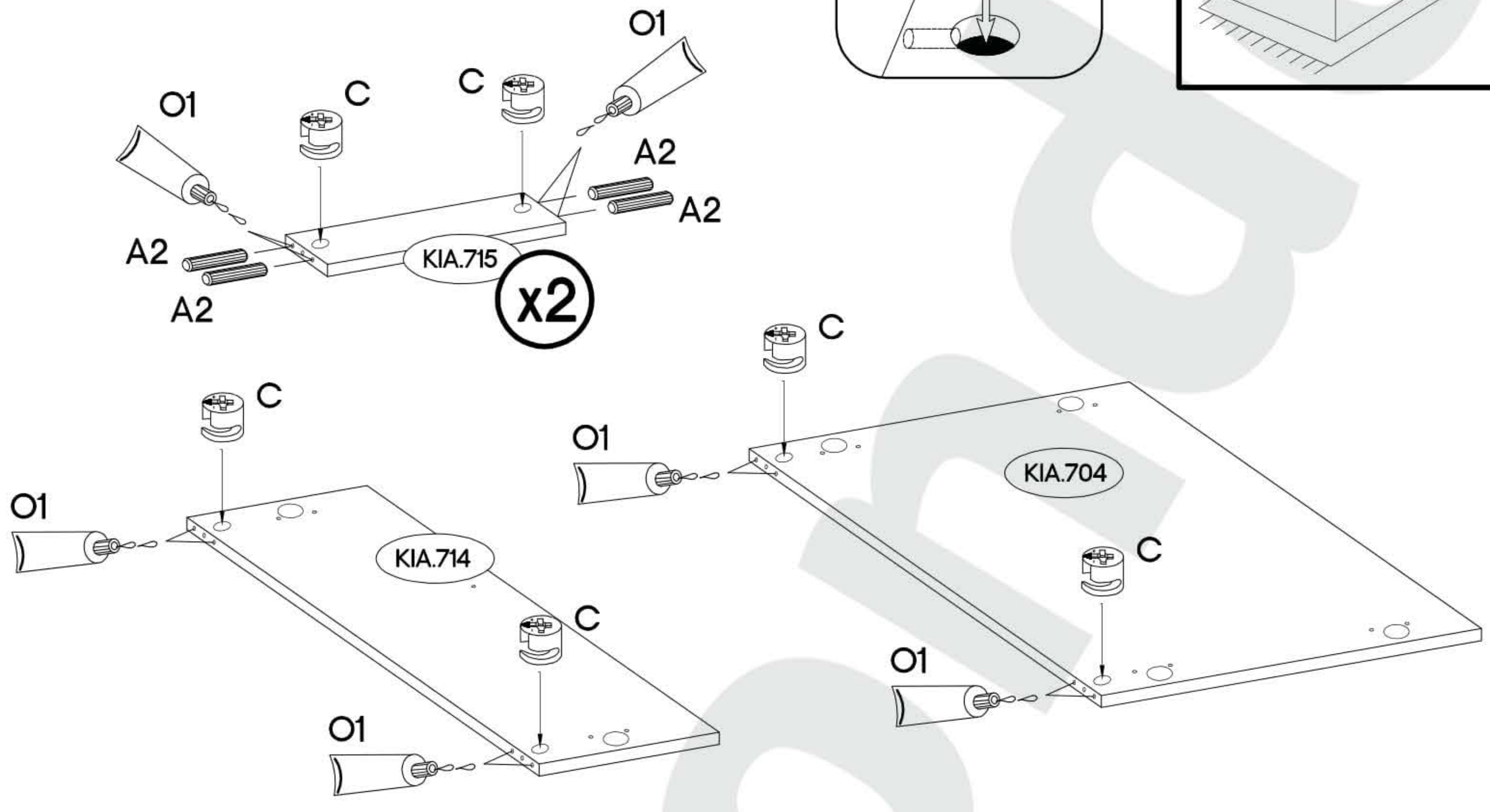
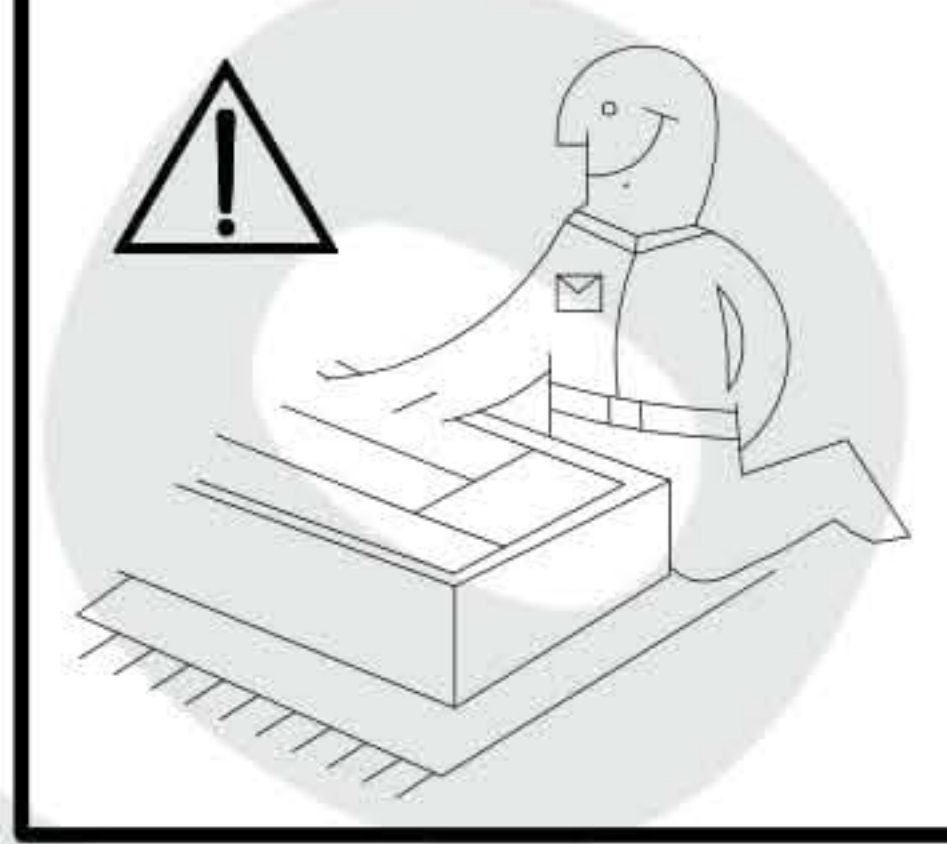
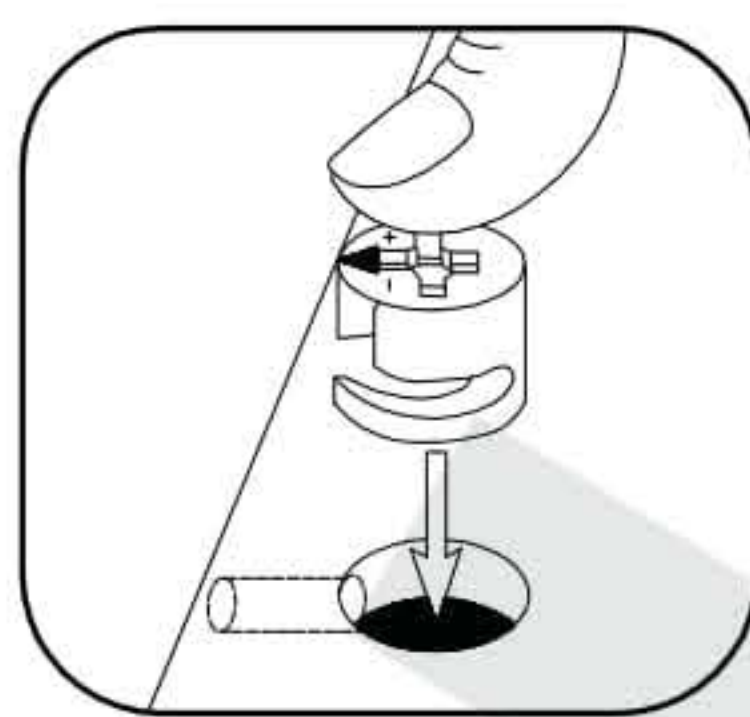
Colli	Ersatzteil Nummer	Dimension
2/2	KIA.115	1234x430x16
	KIA.116	1234x430x16
	KIA.615	1095x580x2,5
	KIA.714	567x241x16
	KIA.704	567x510x16
	KIA.715 x2	319x68x16
	KIA.905	571x95x16
	KIA.921 x2	1124x400x16



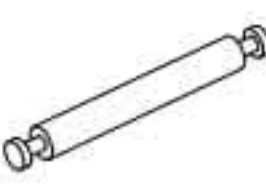
KIA.405

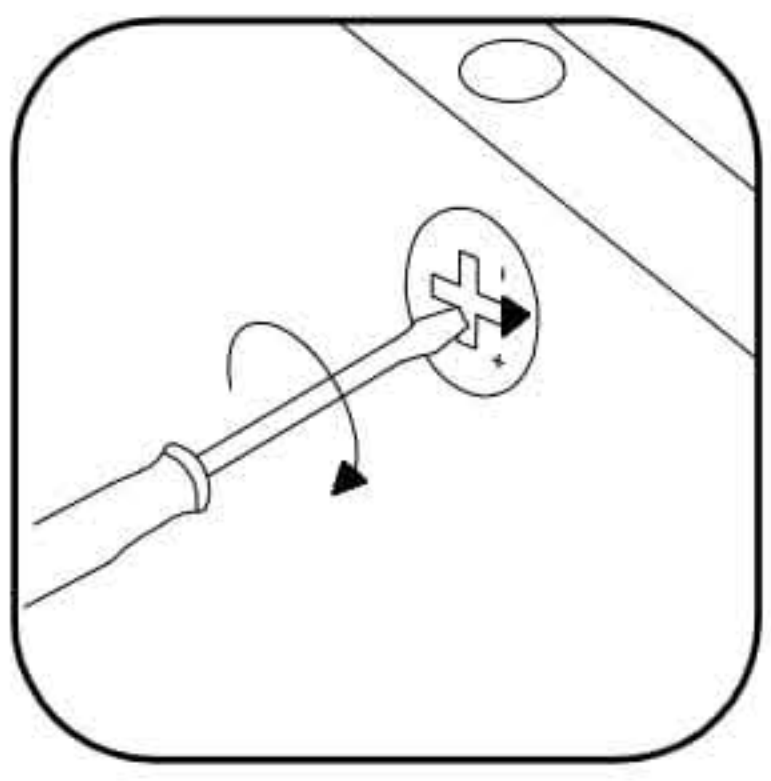
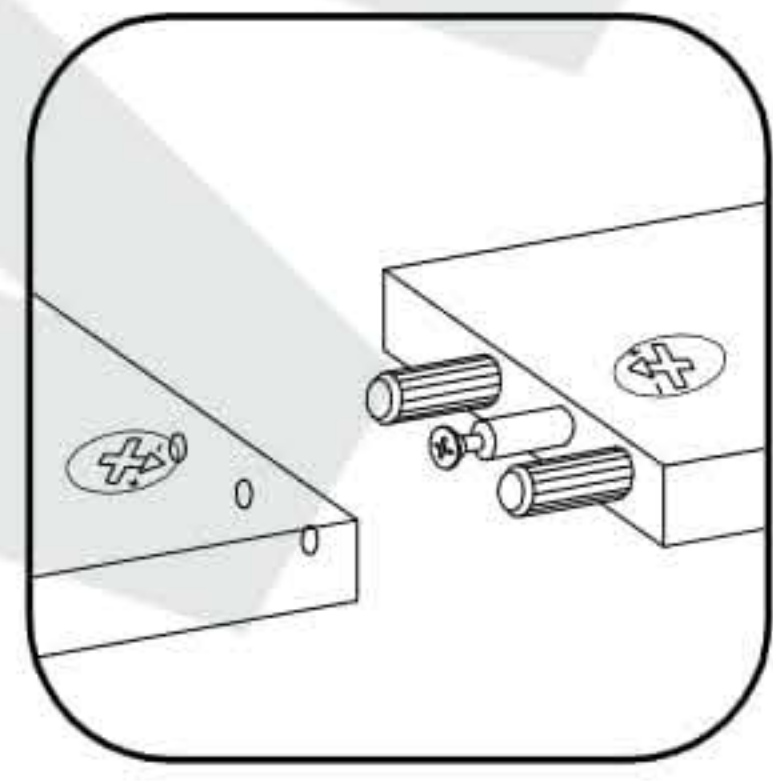
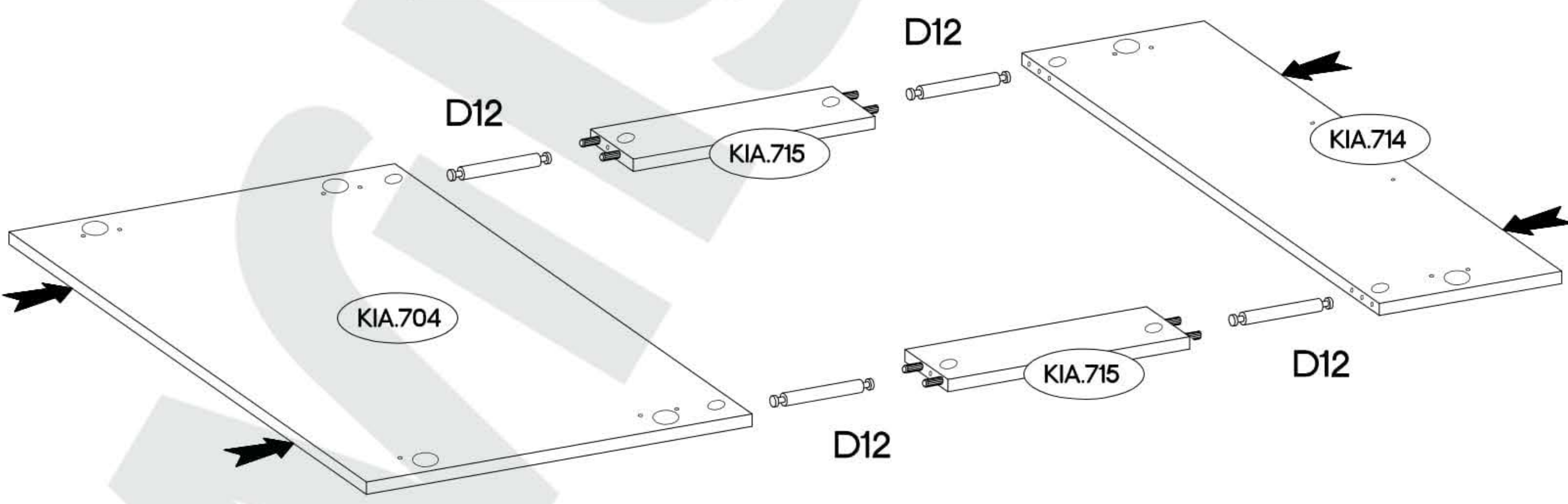
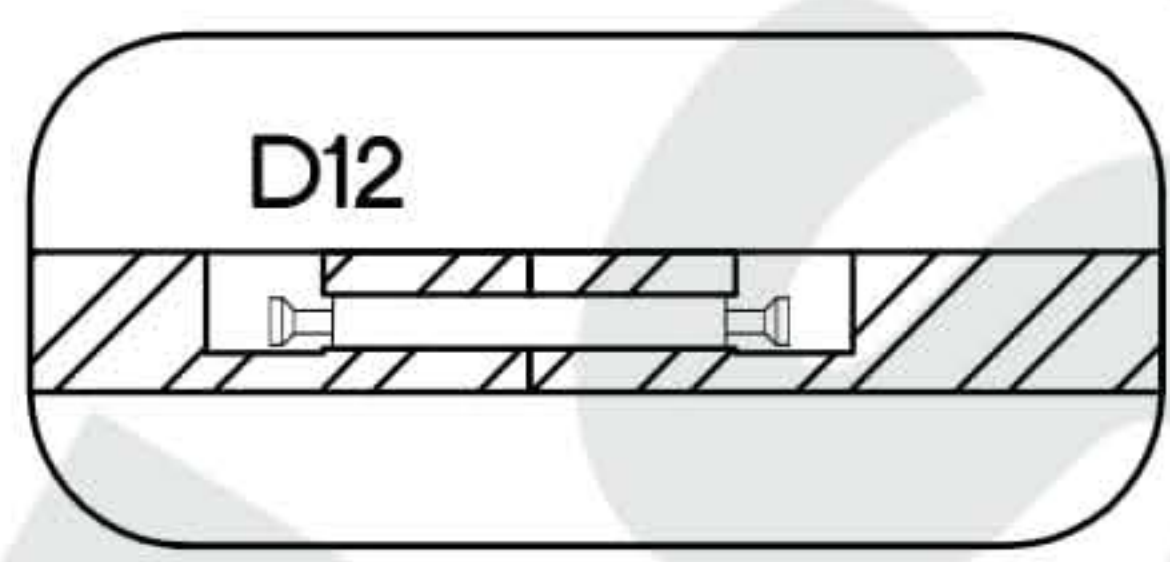
1

†15/12mm 	†8x60mm 	
C	A2	O1
8	8	1

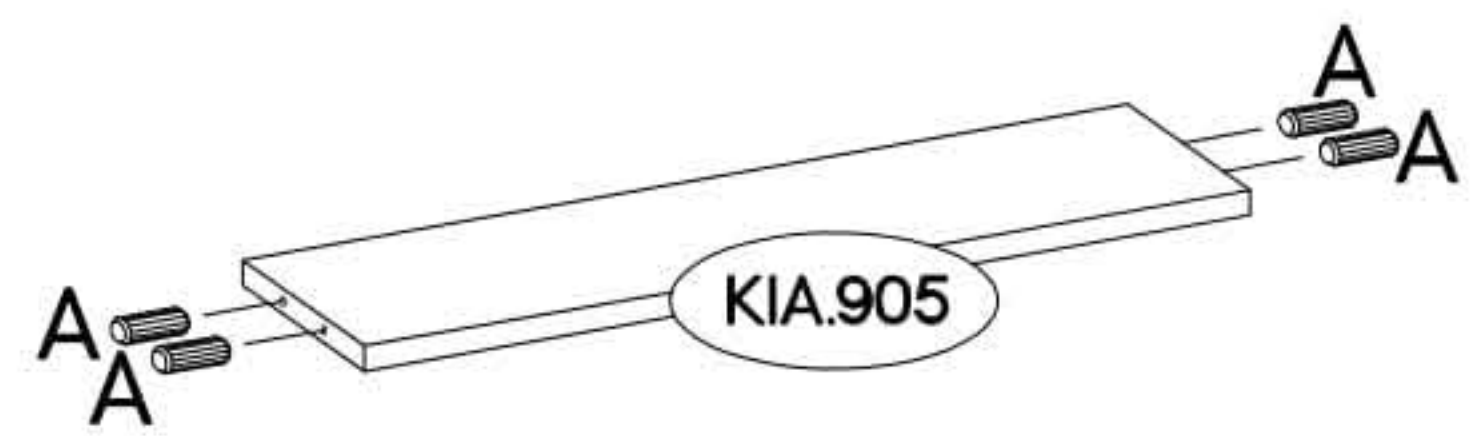
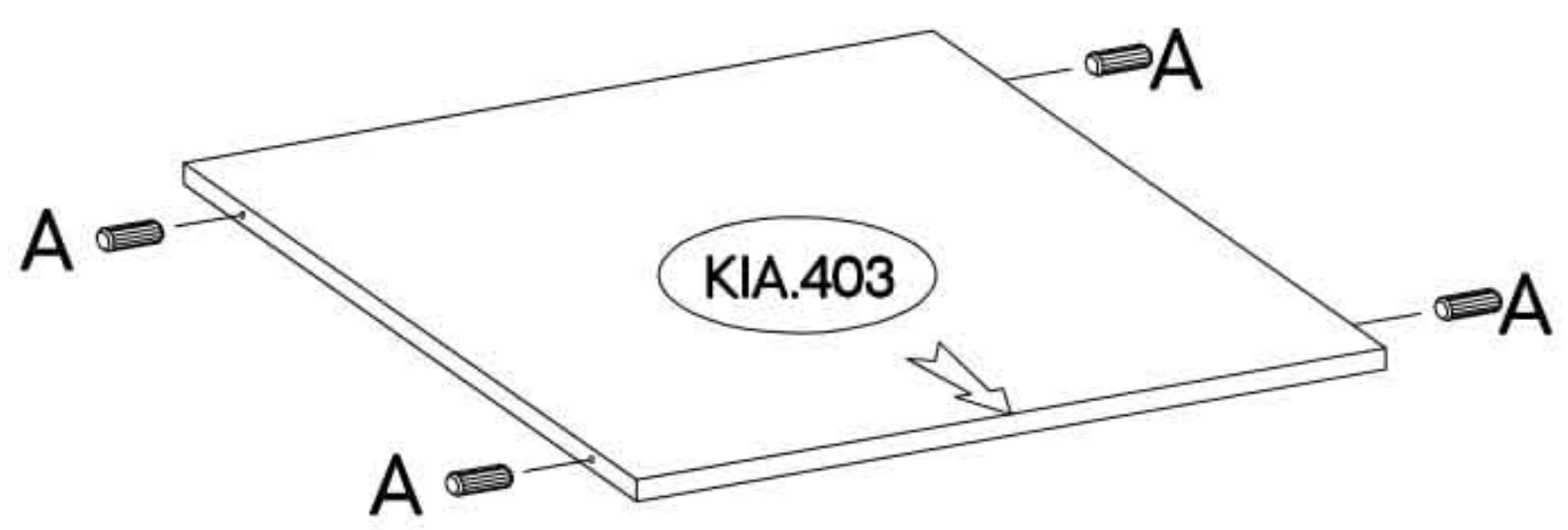
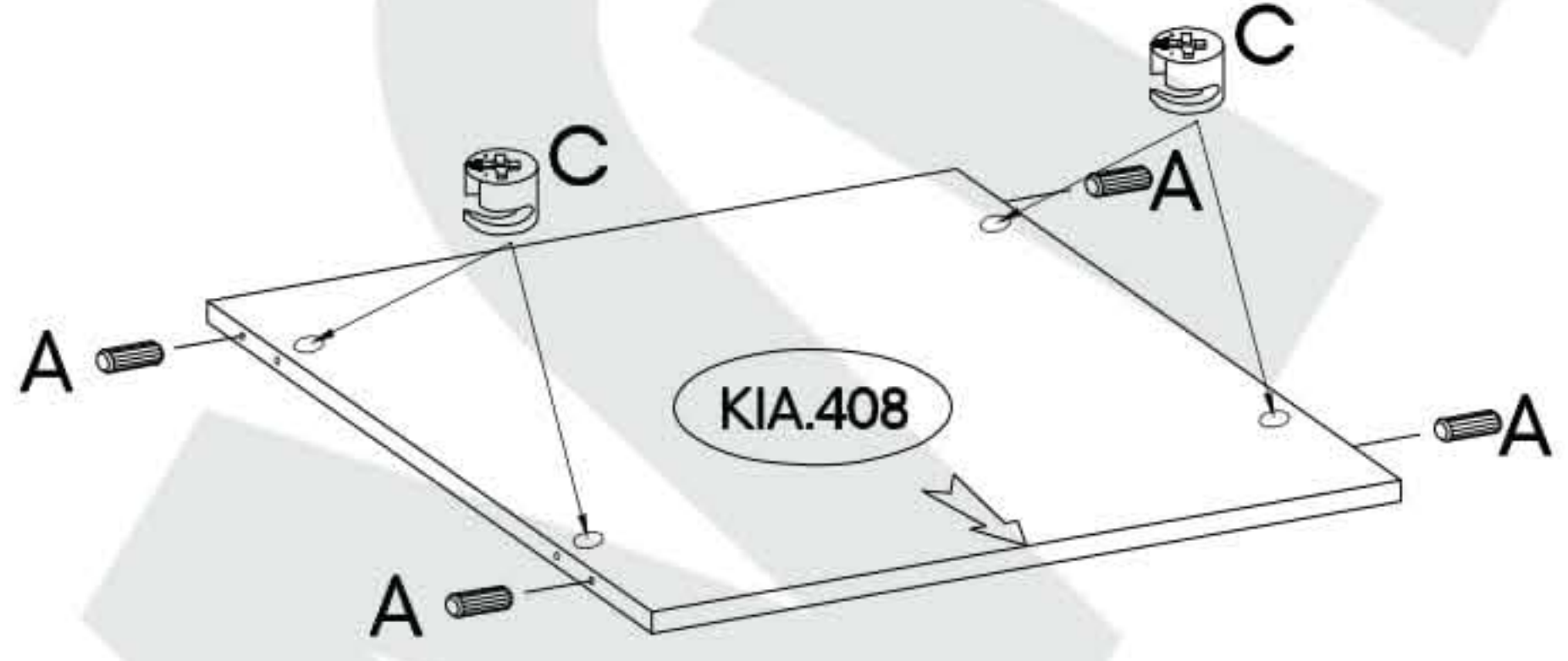
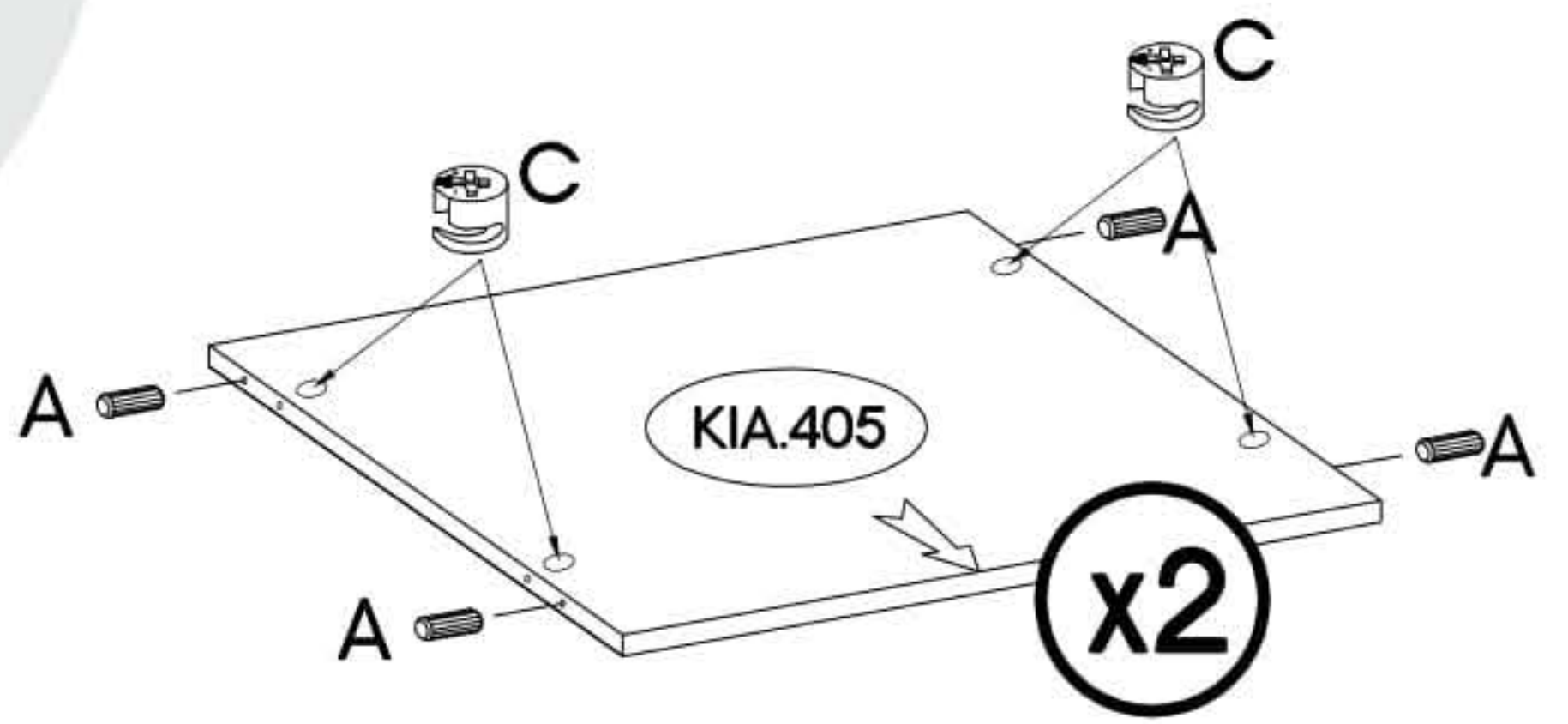
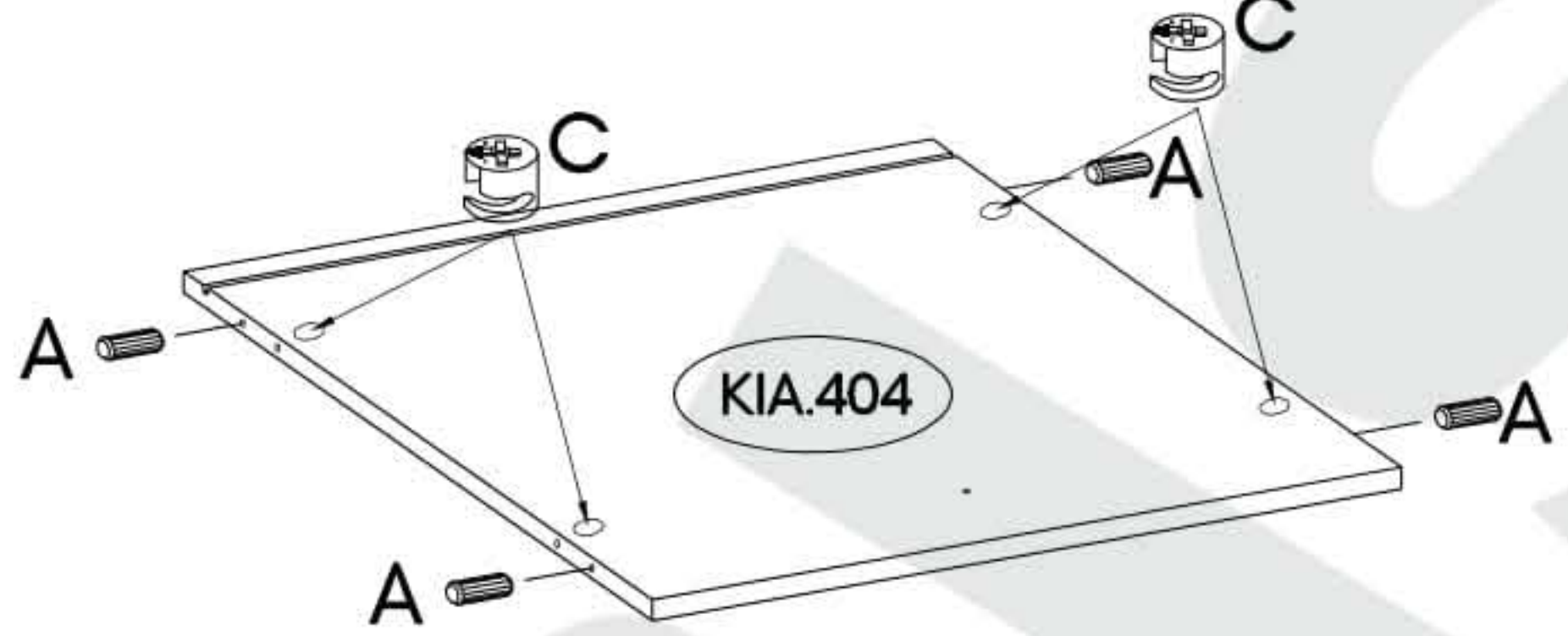
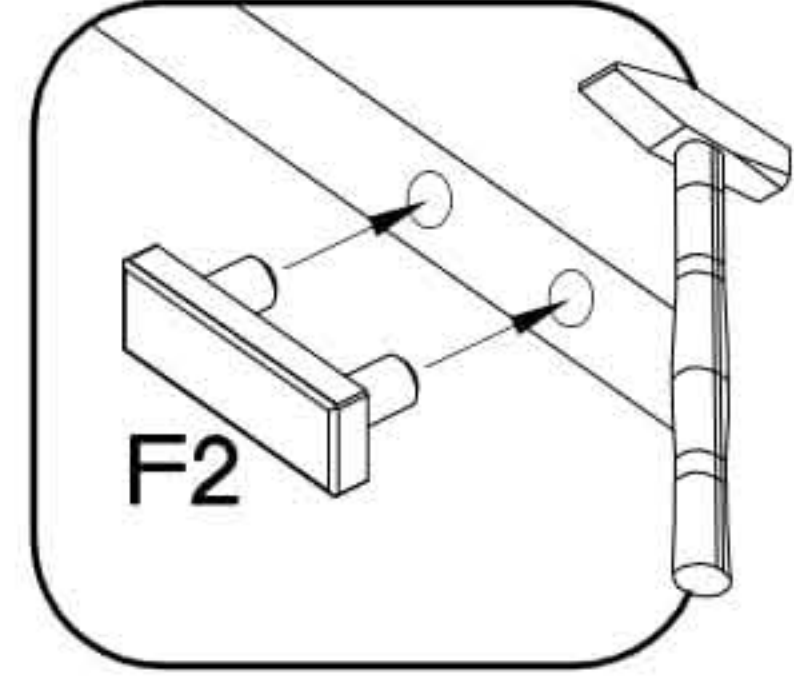
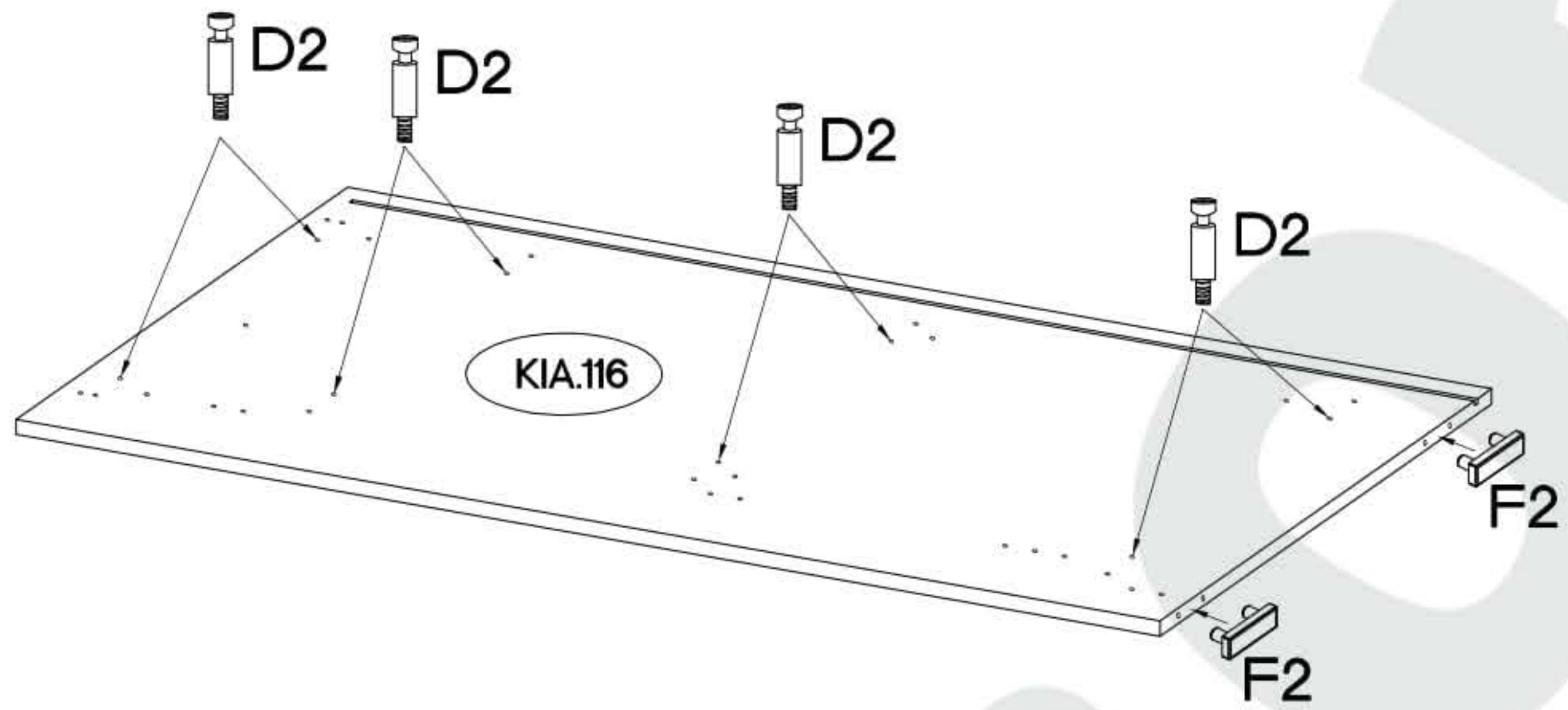
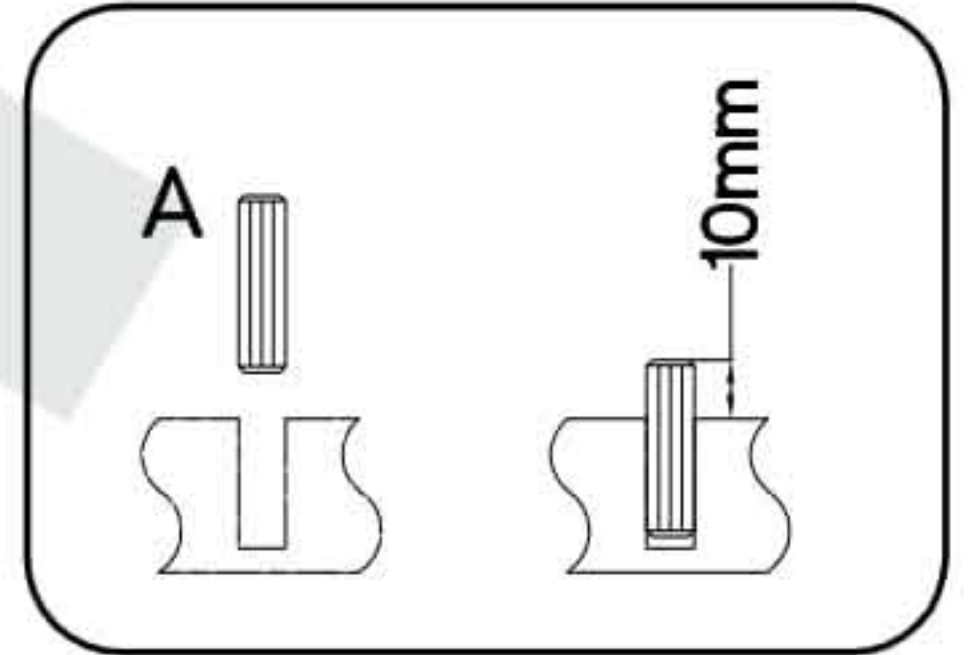
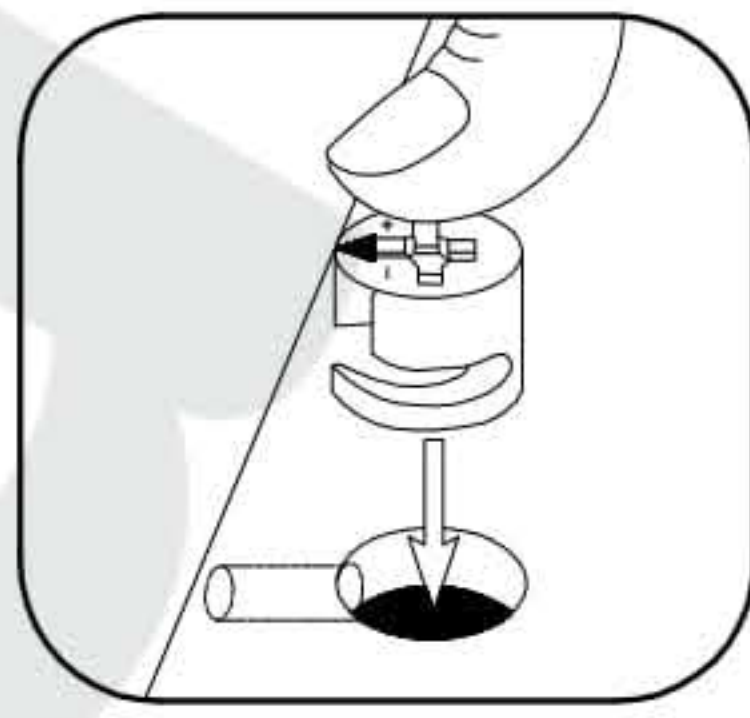
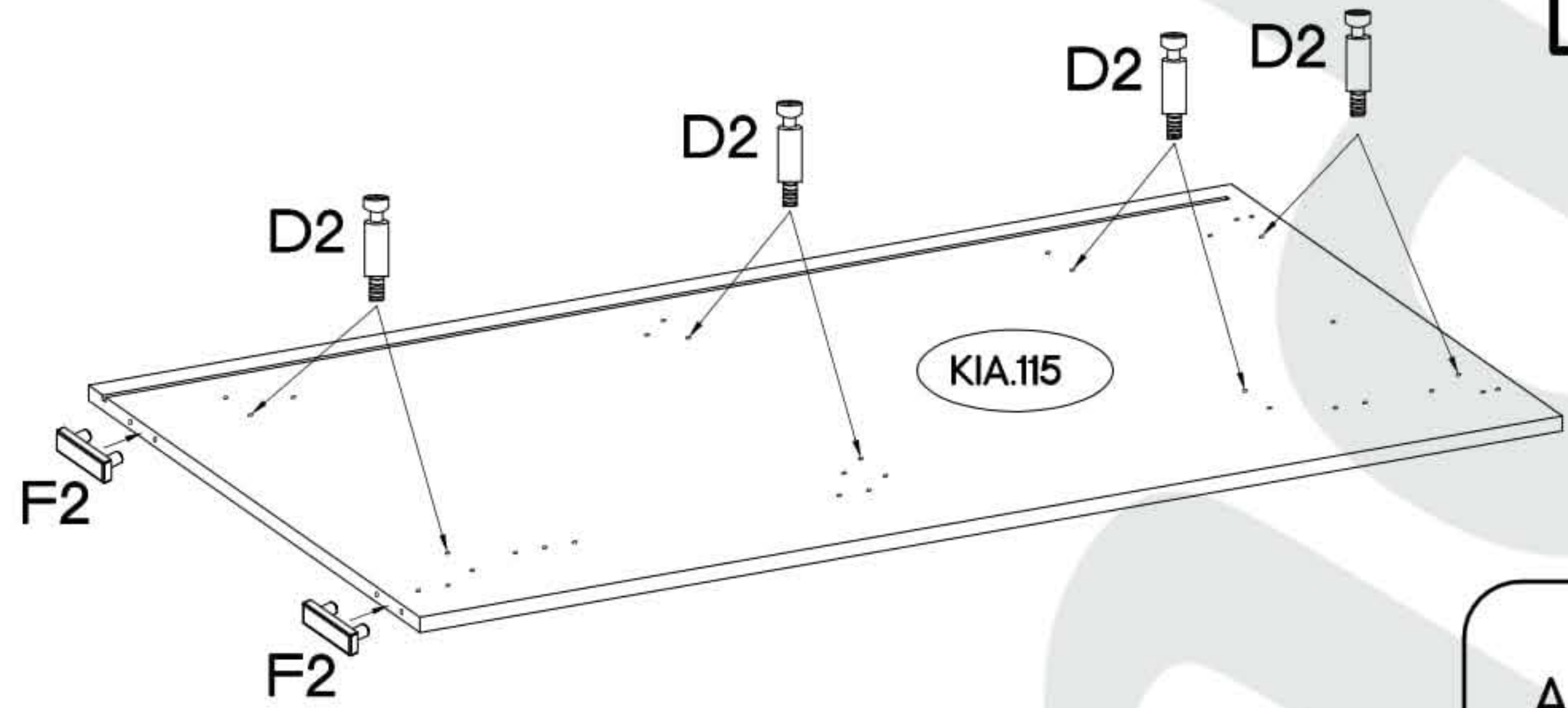
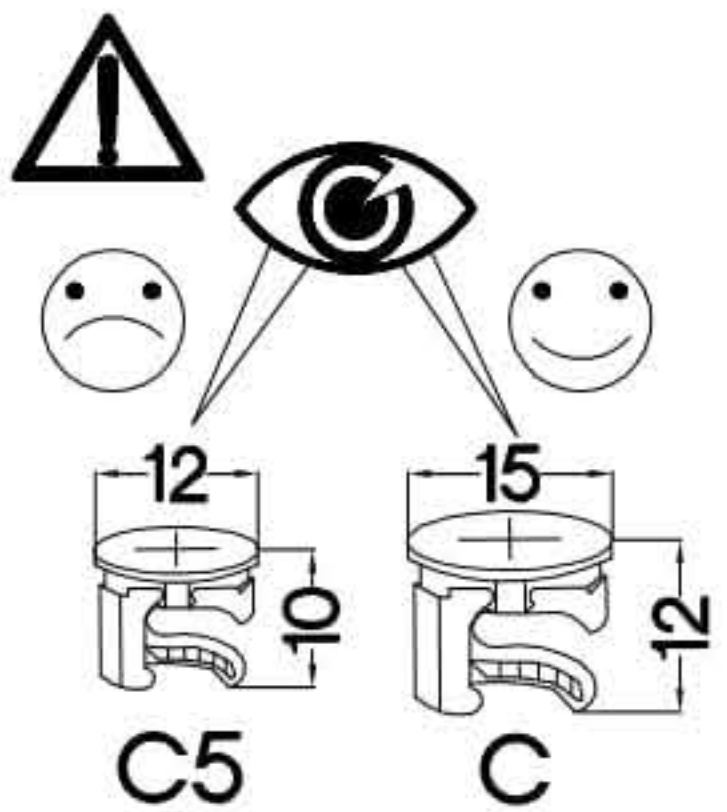
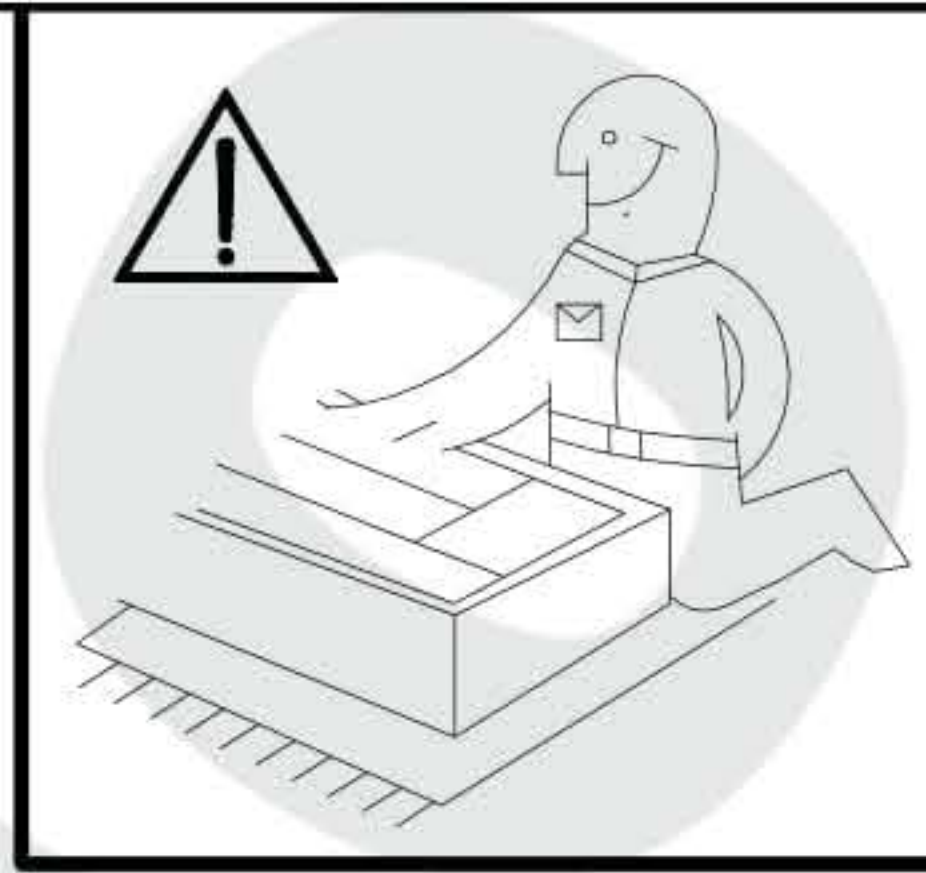


2

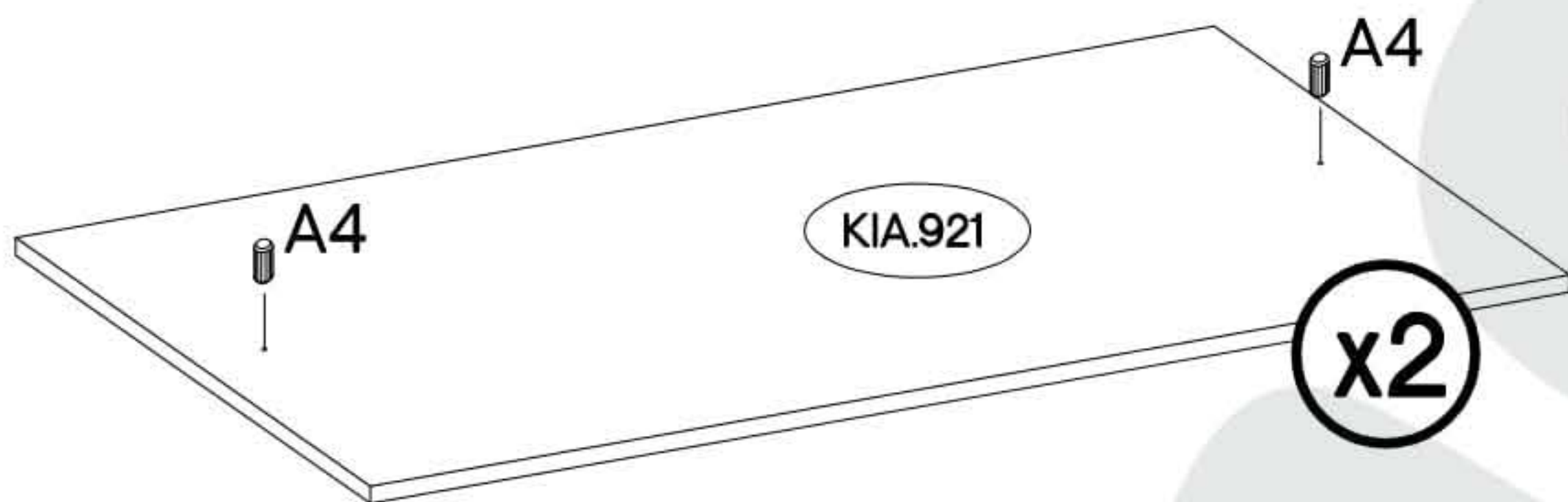
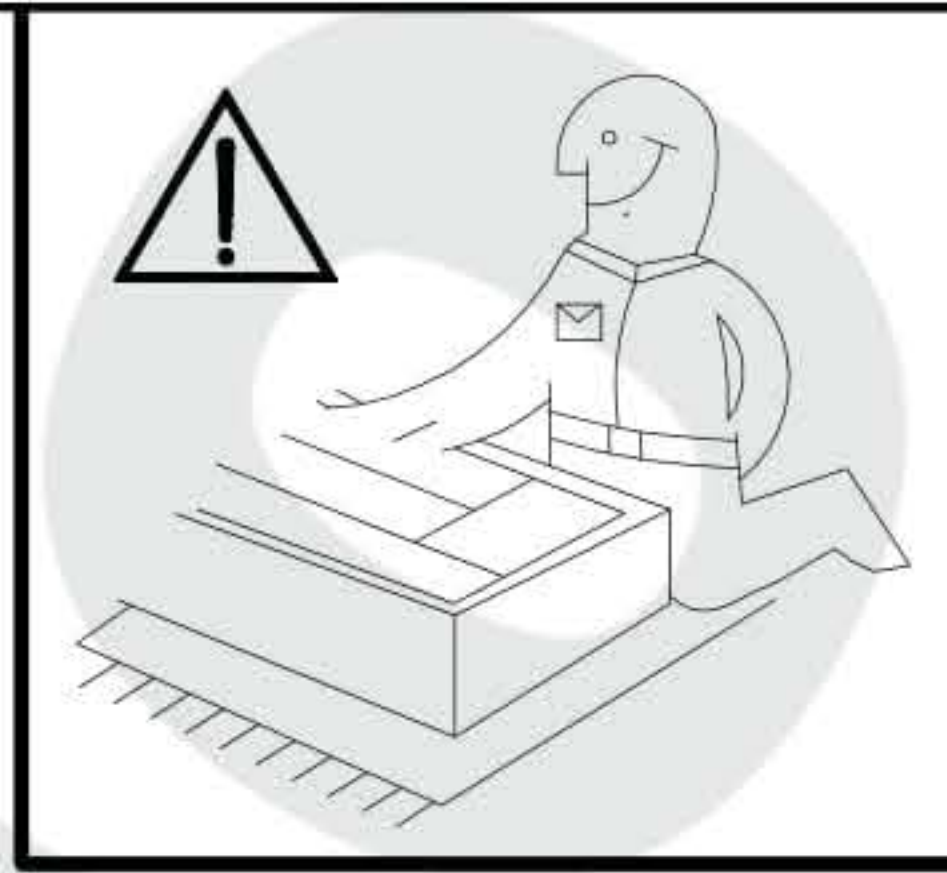
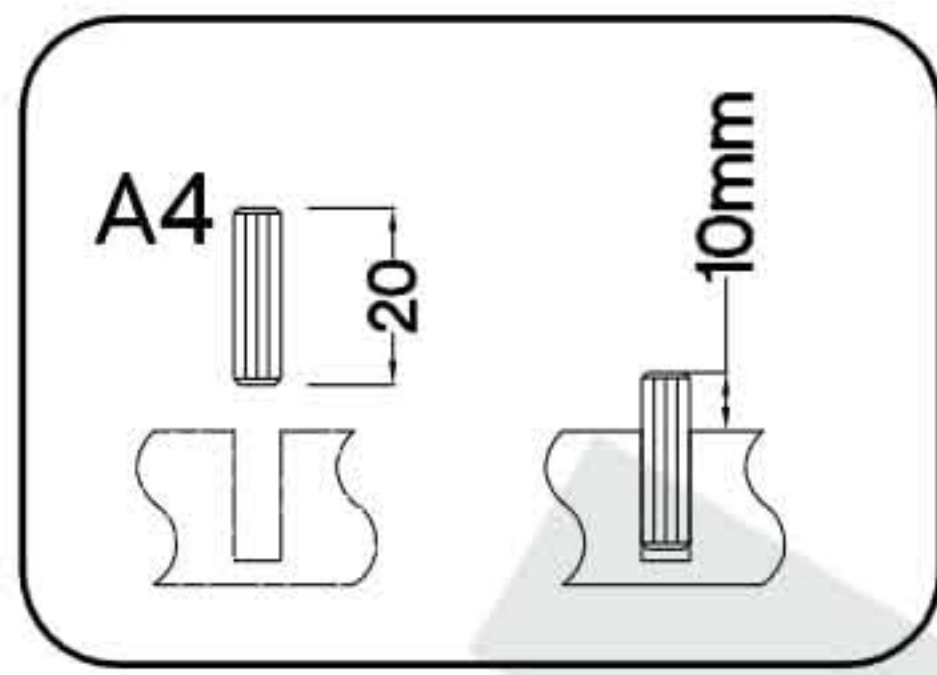
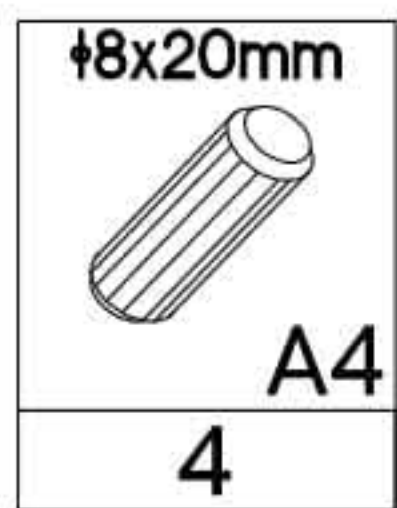
L=40mm 
D12
4



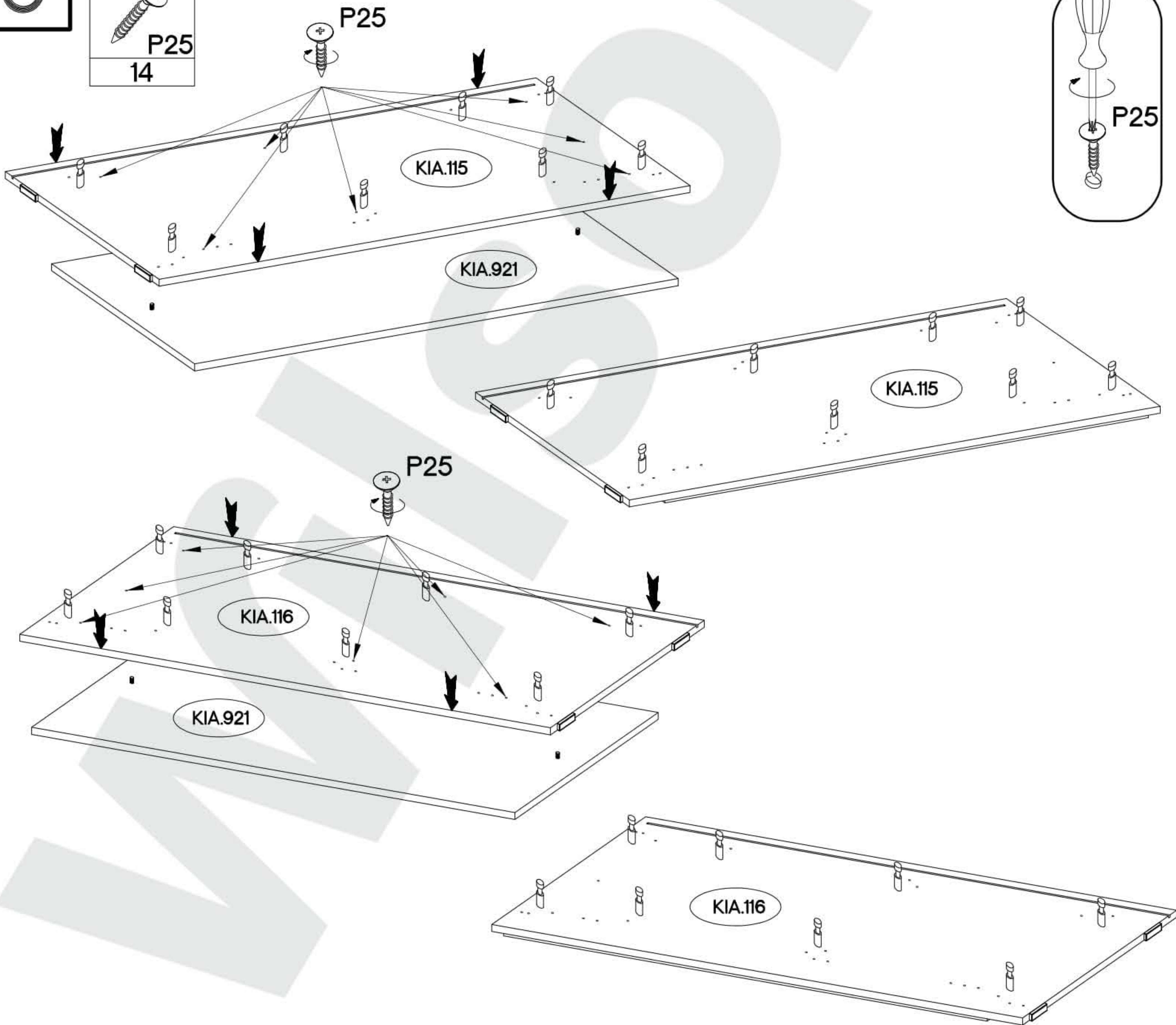
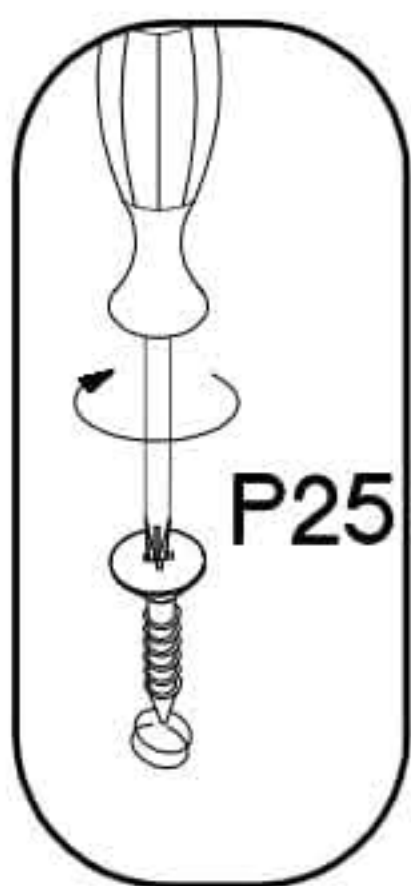
<p>∅8x30mm</p> <p>A</p> <p>24</p>	<p>L=20mm</p> <p>D2</p> <p>16</p>	<p>∅15/12mm</p> <p>C</p> <p>16</p>	<p>6.5x48x16</p> <p>F2</p> <p>4</p>
-----------------------------------	-----------------------------------	------------------------------------	-------------------------------------



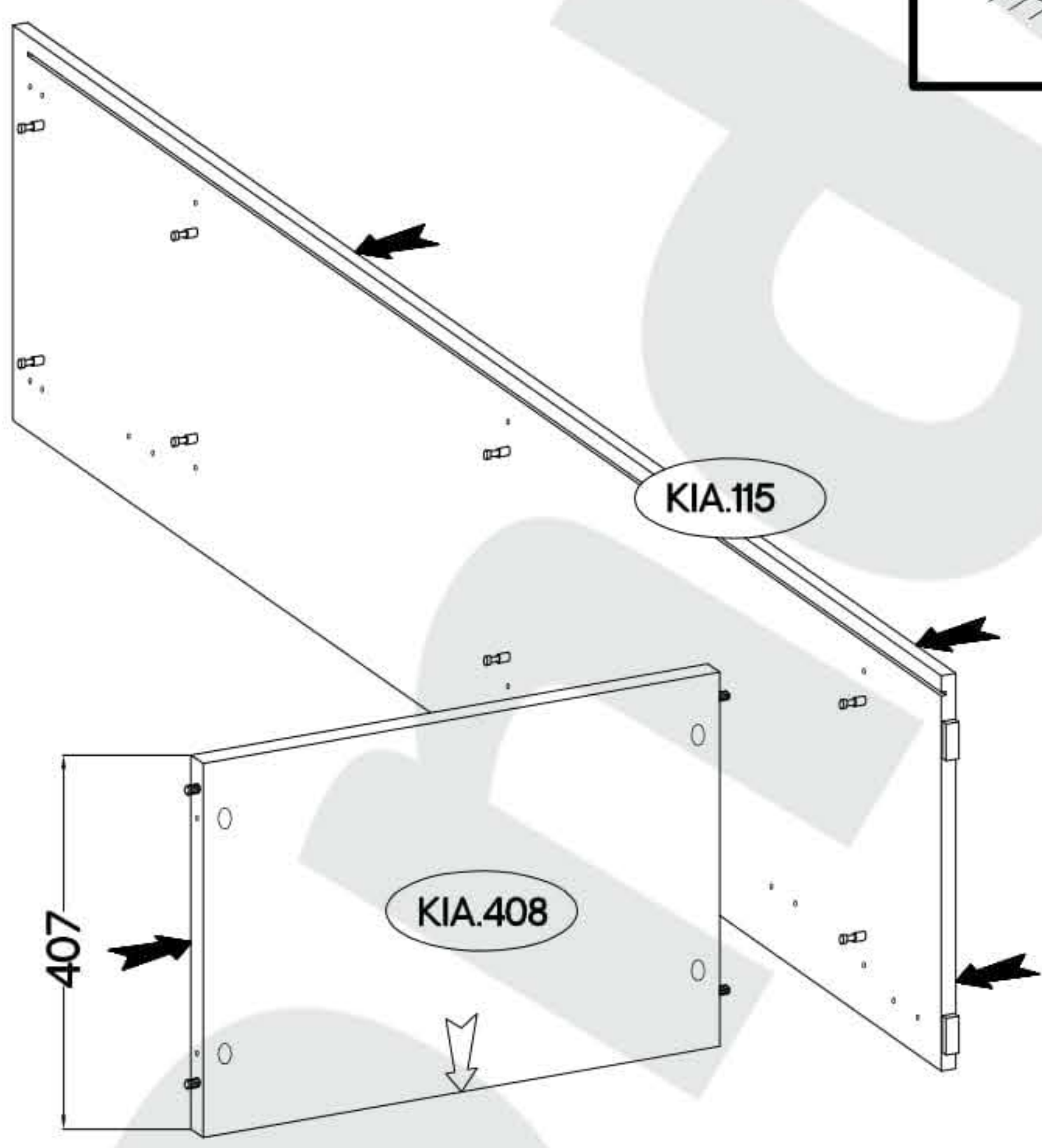
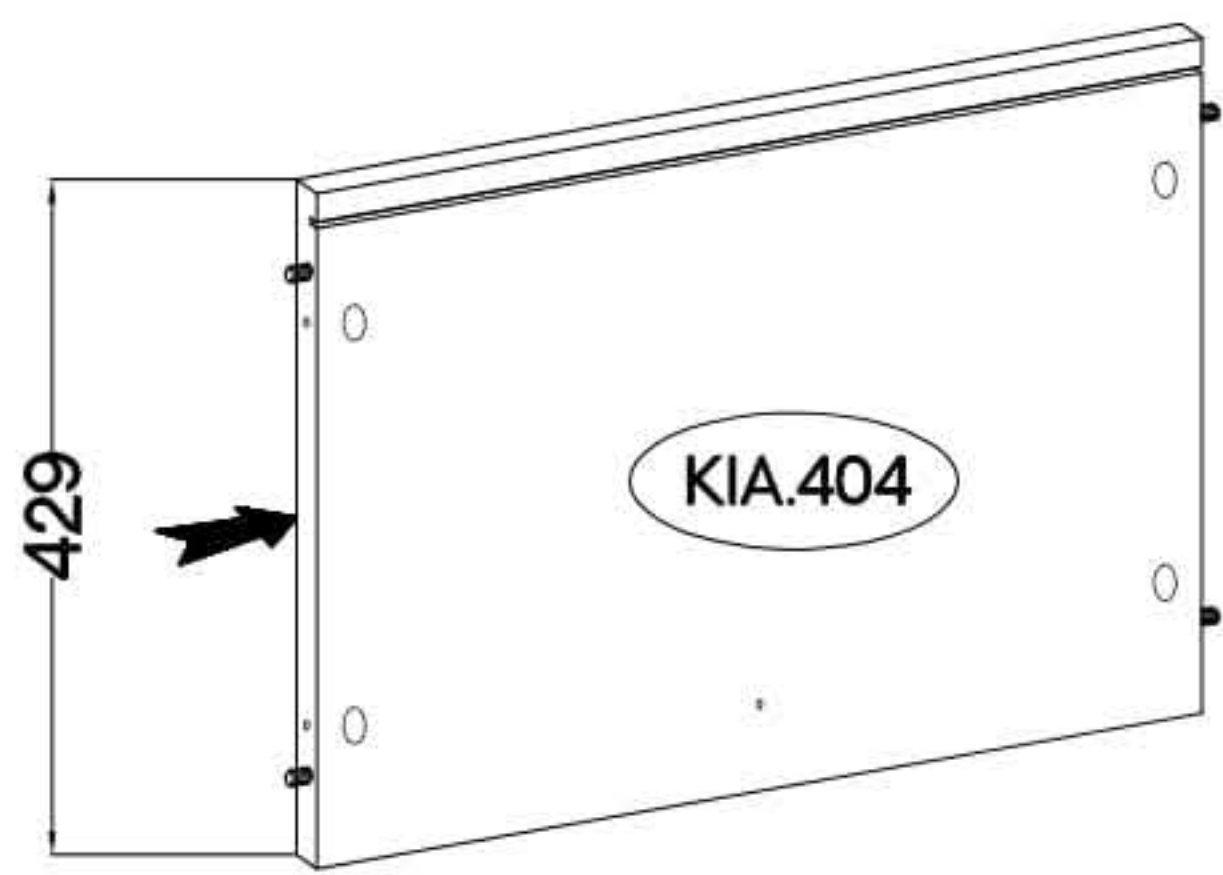
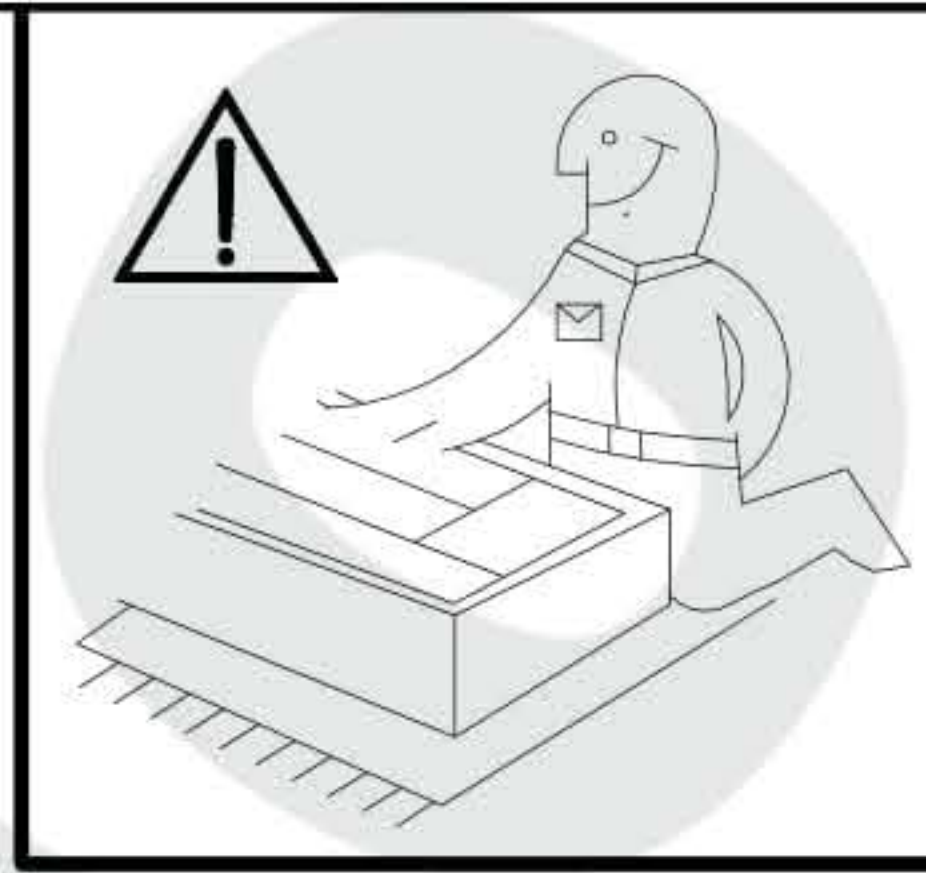
4



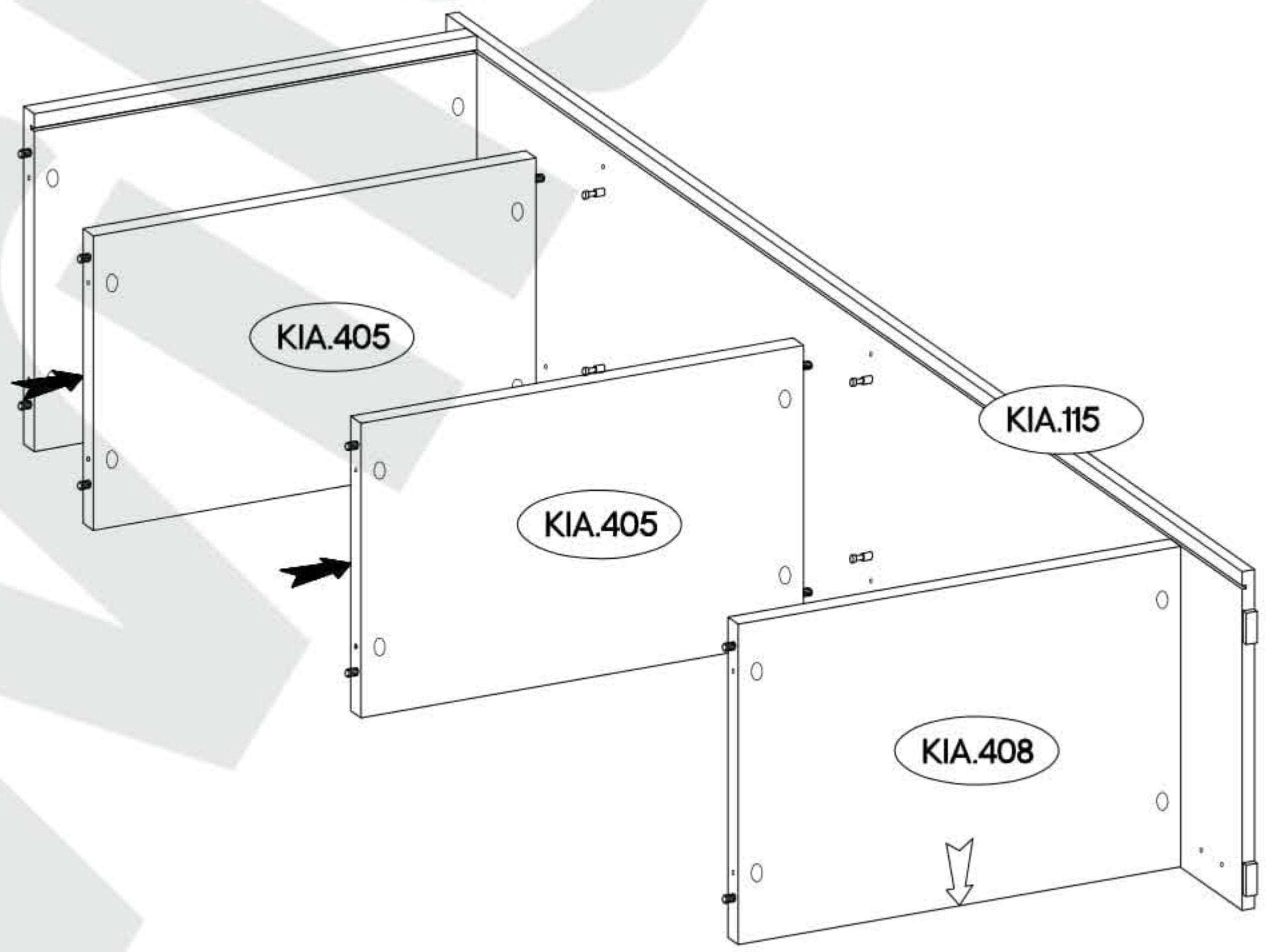
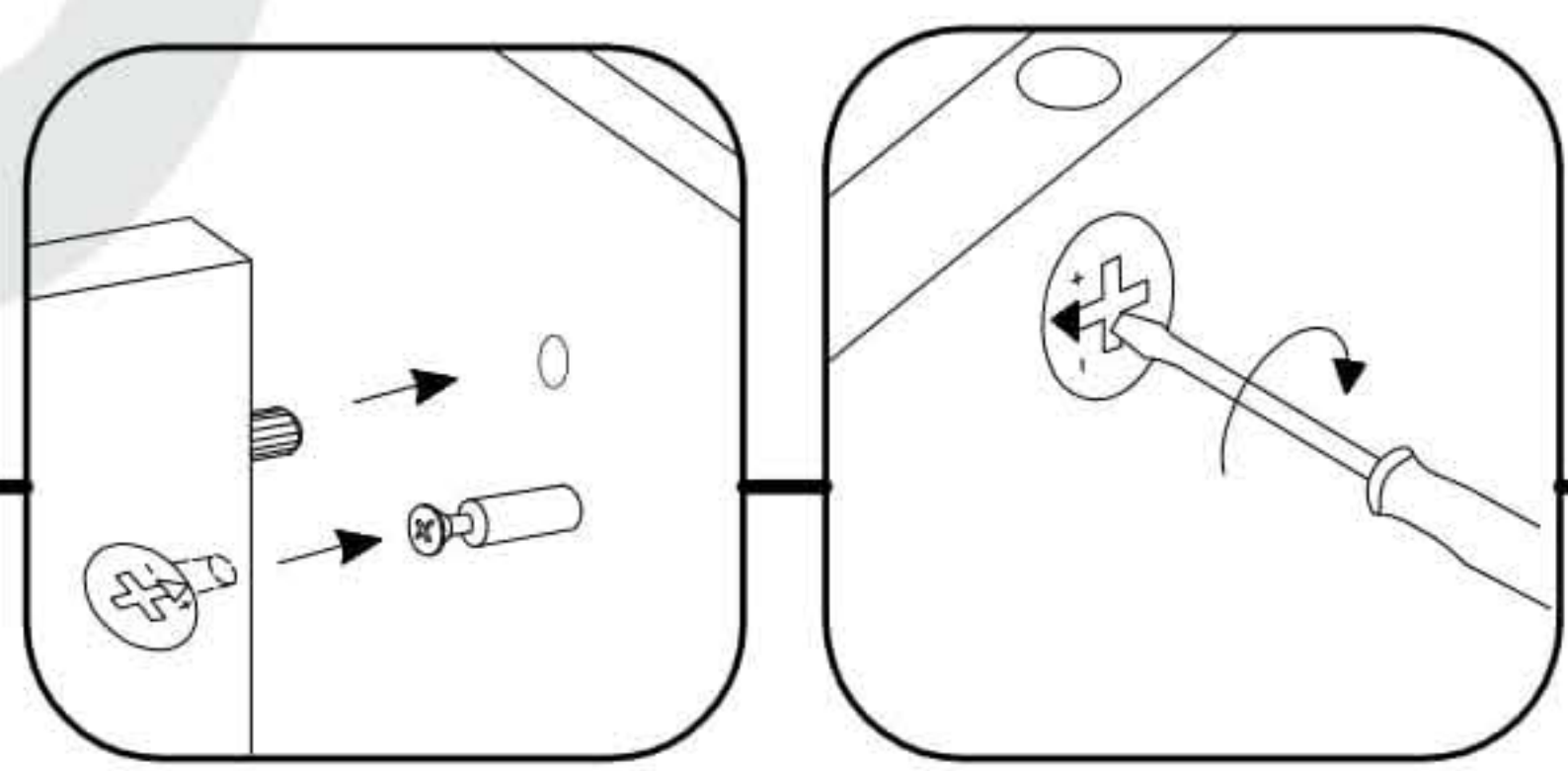
5

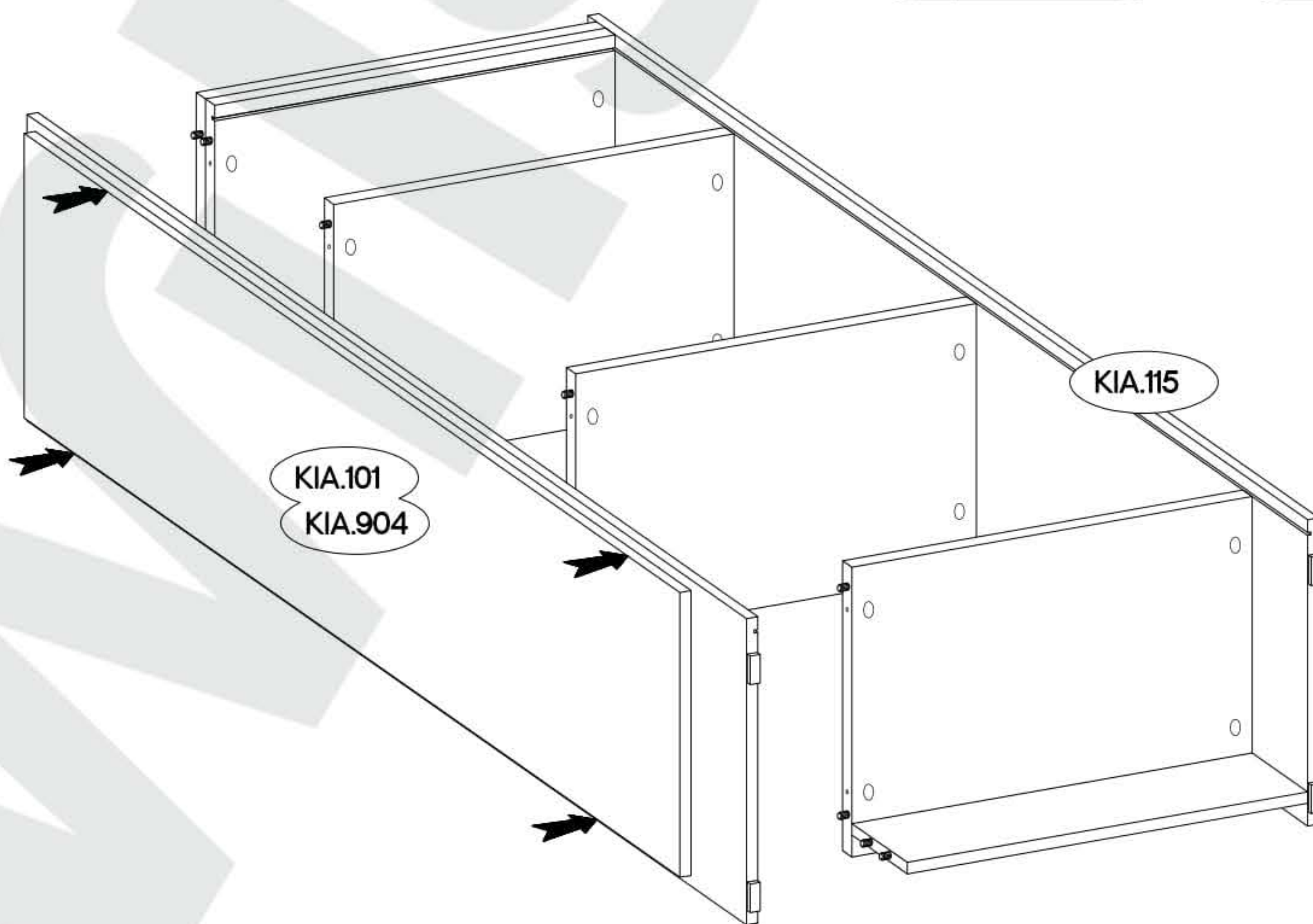
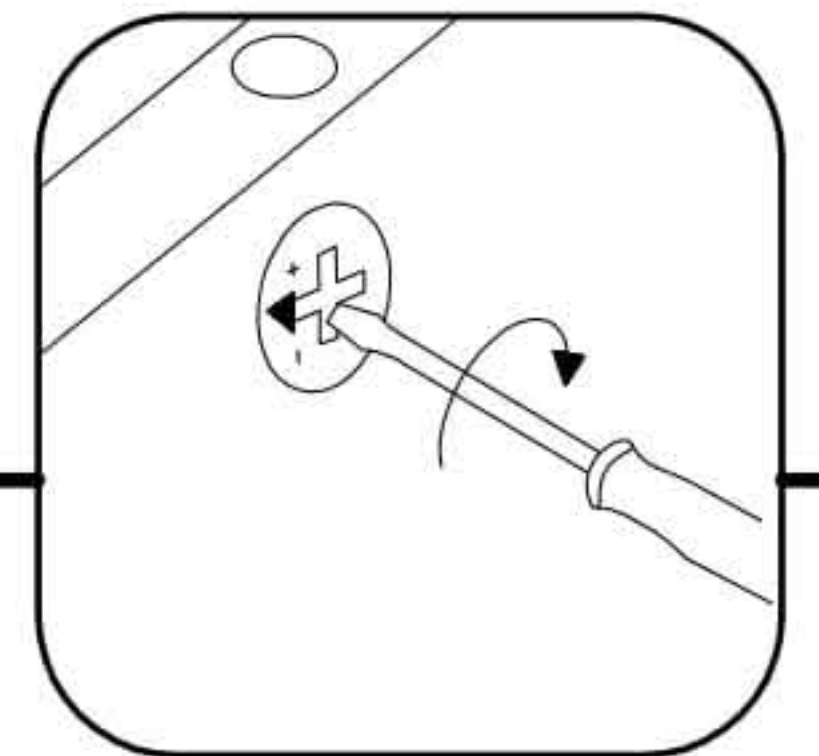
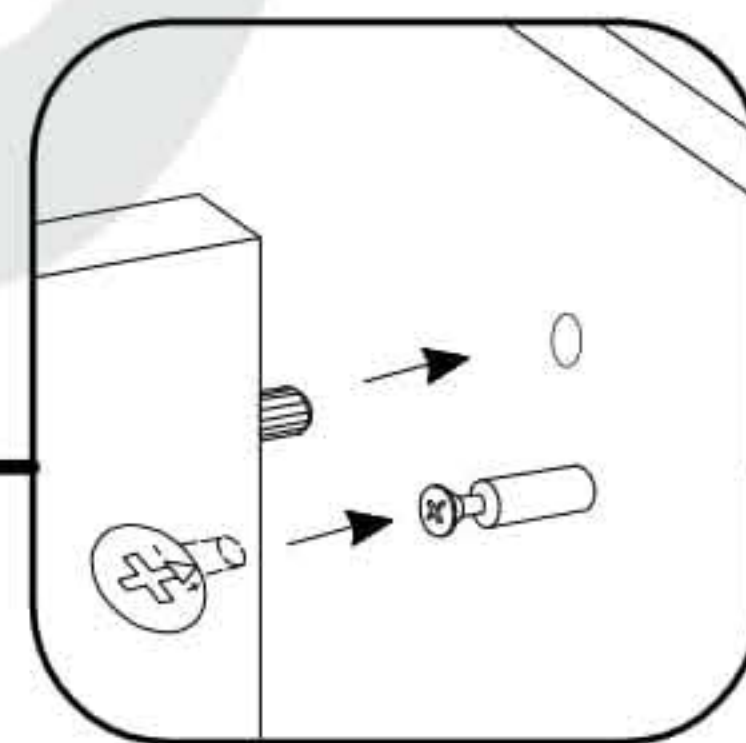
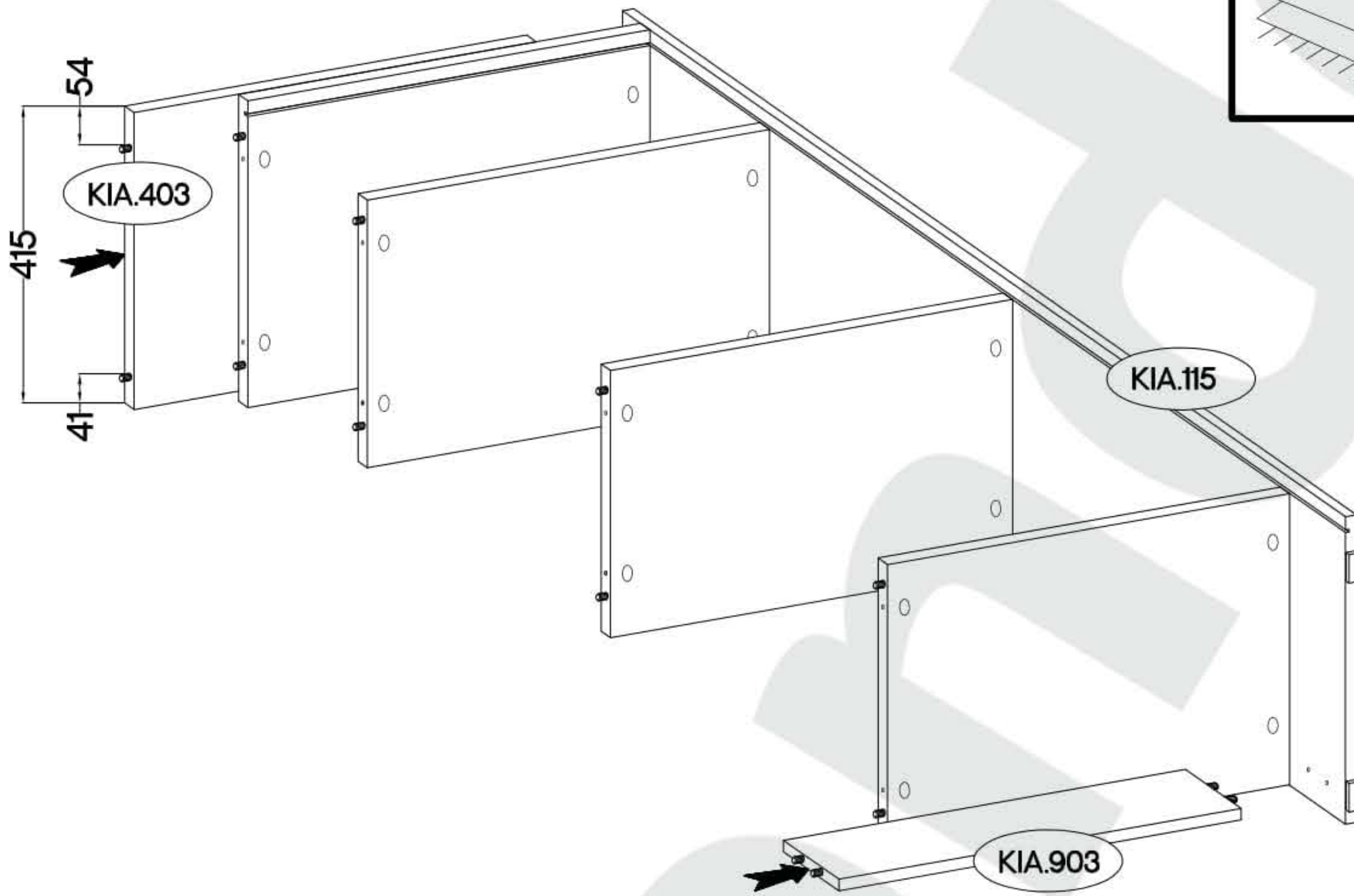
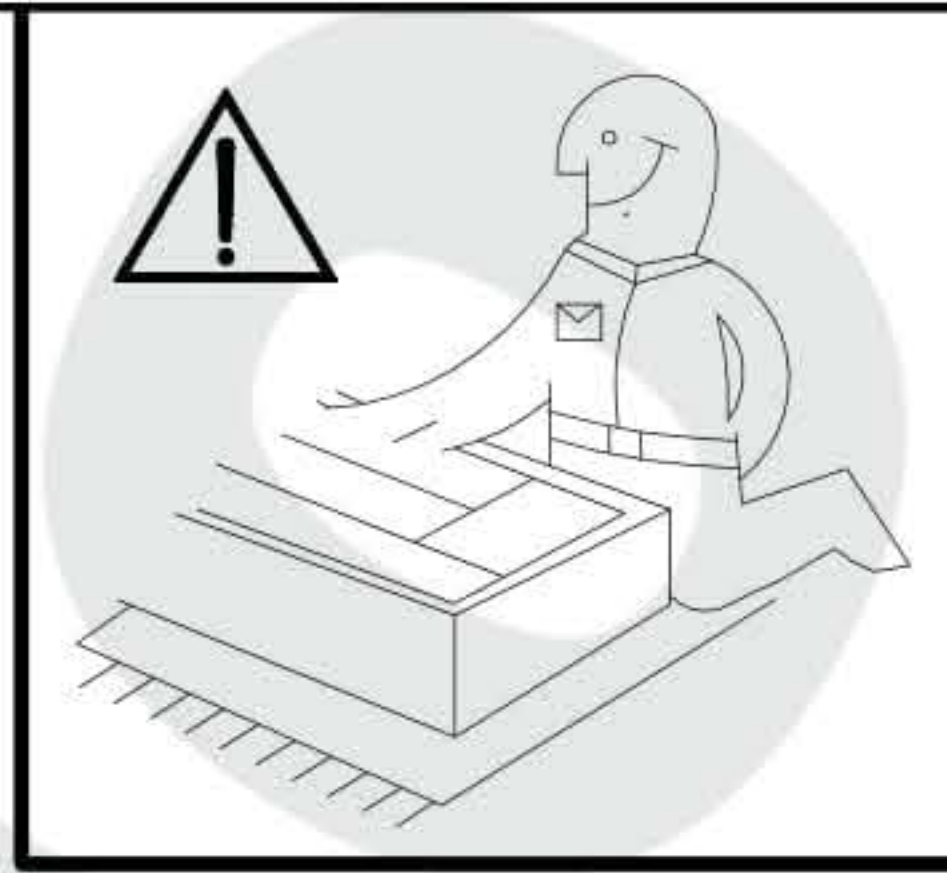



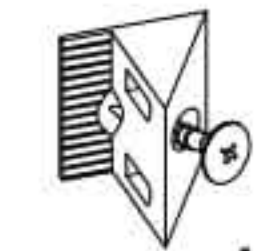
6

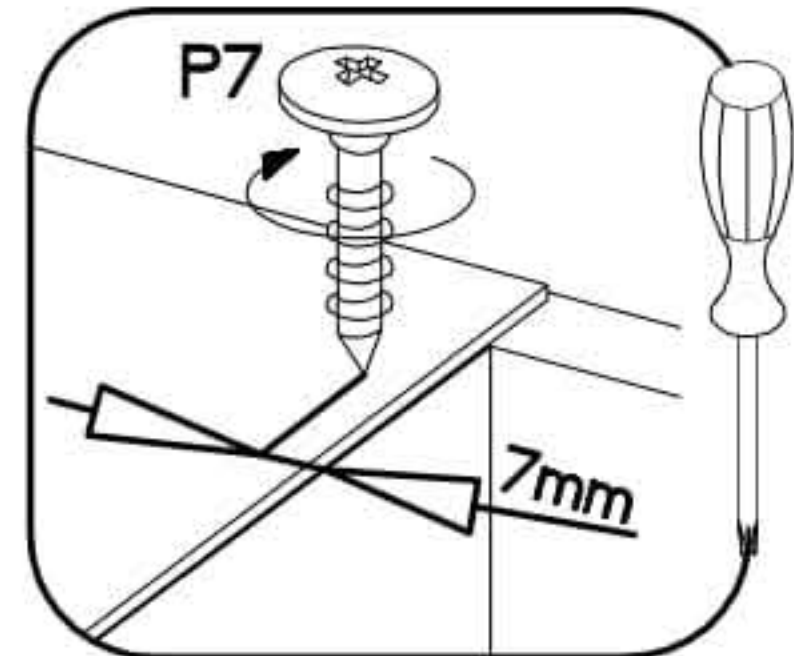
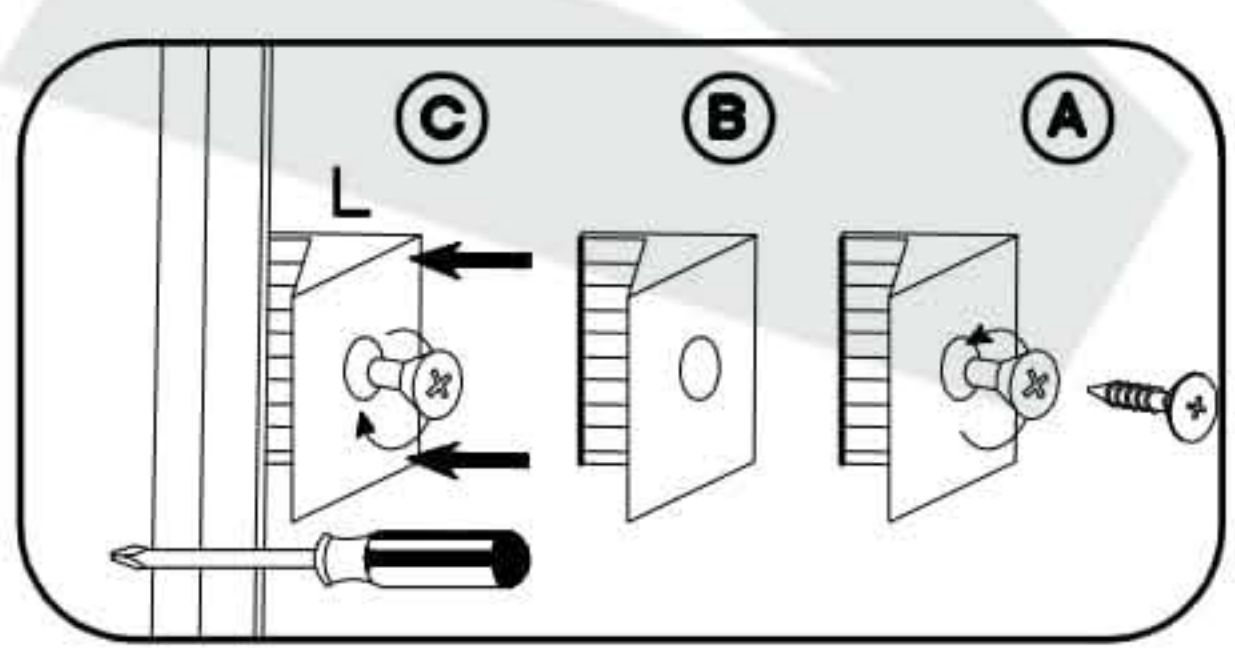
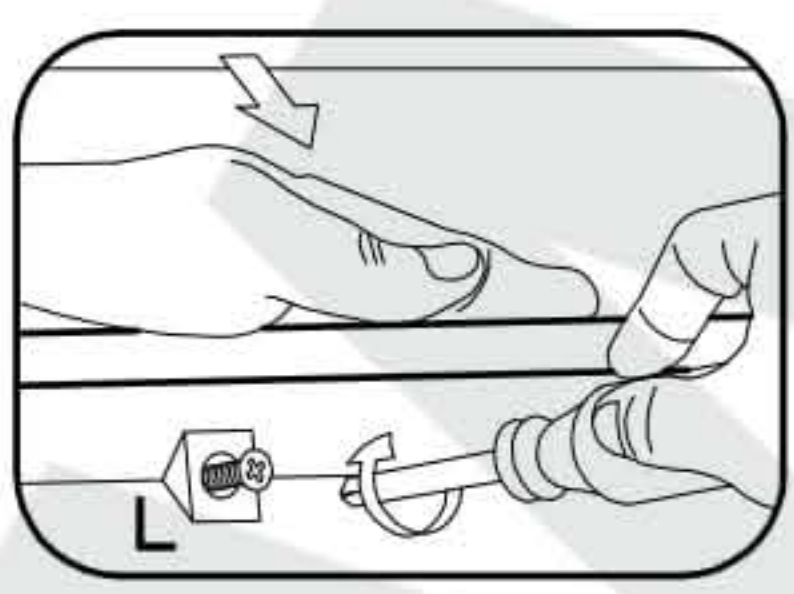
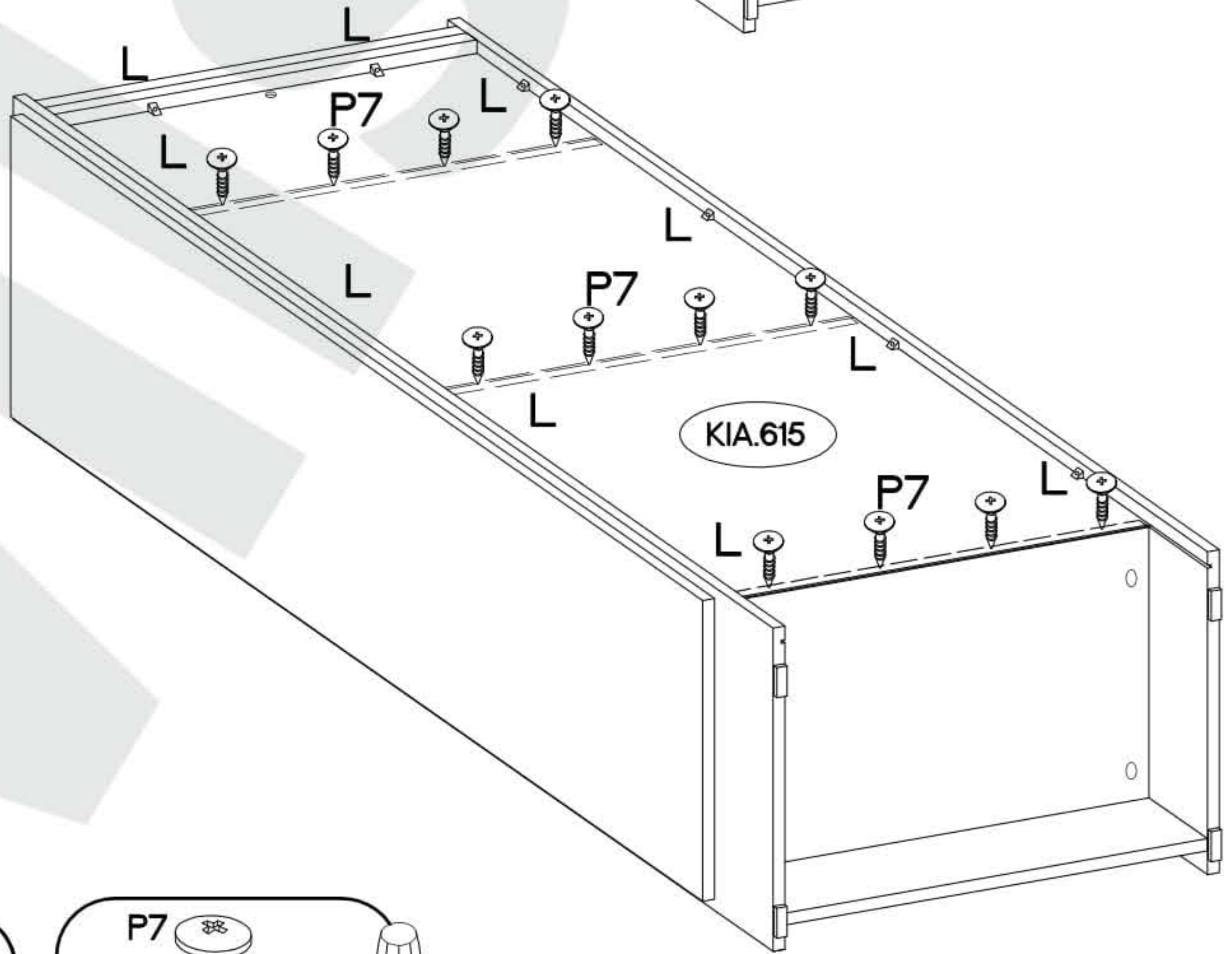
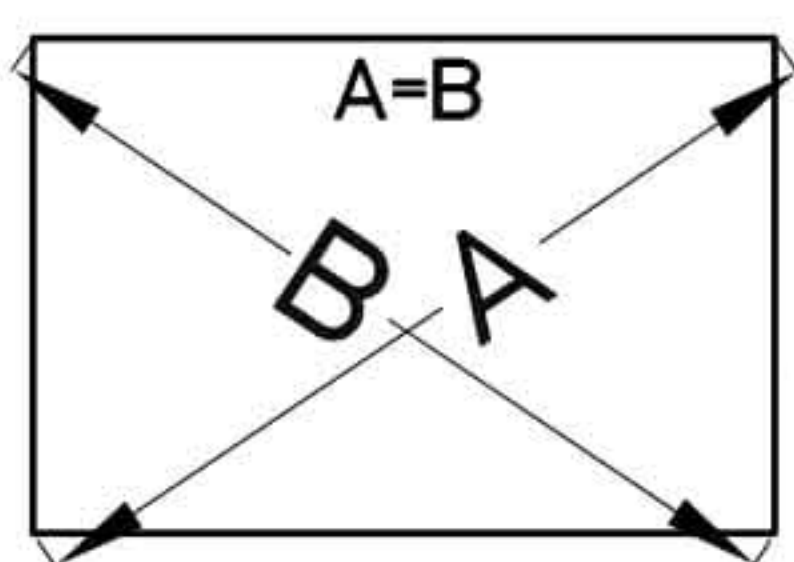
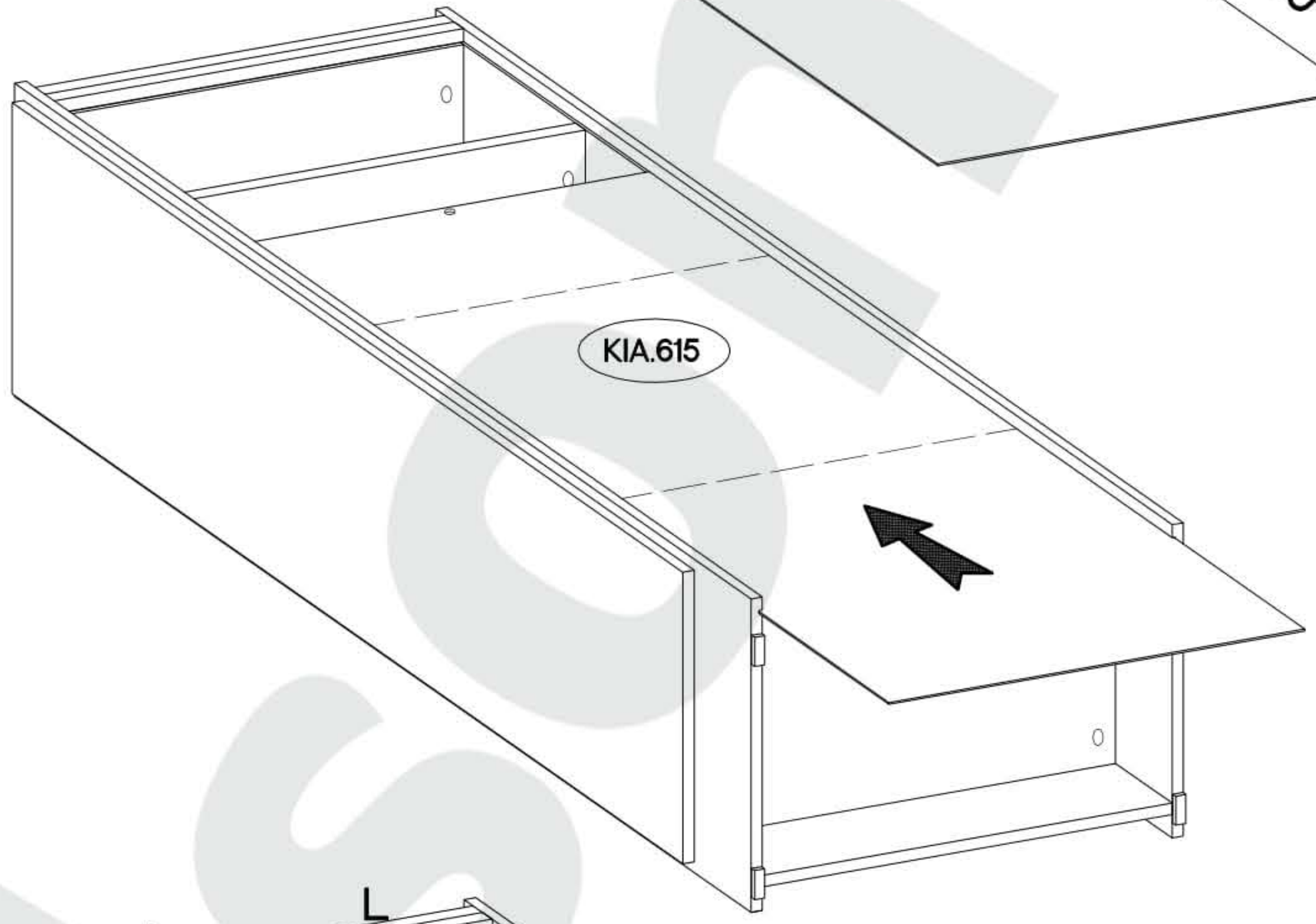
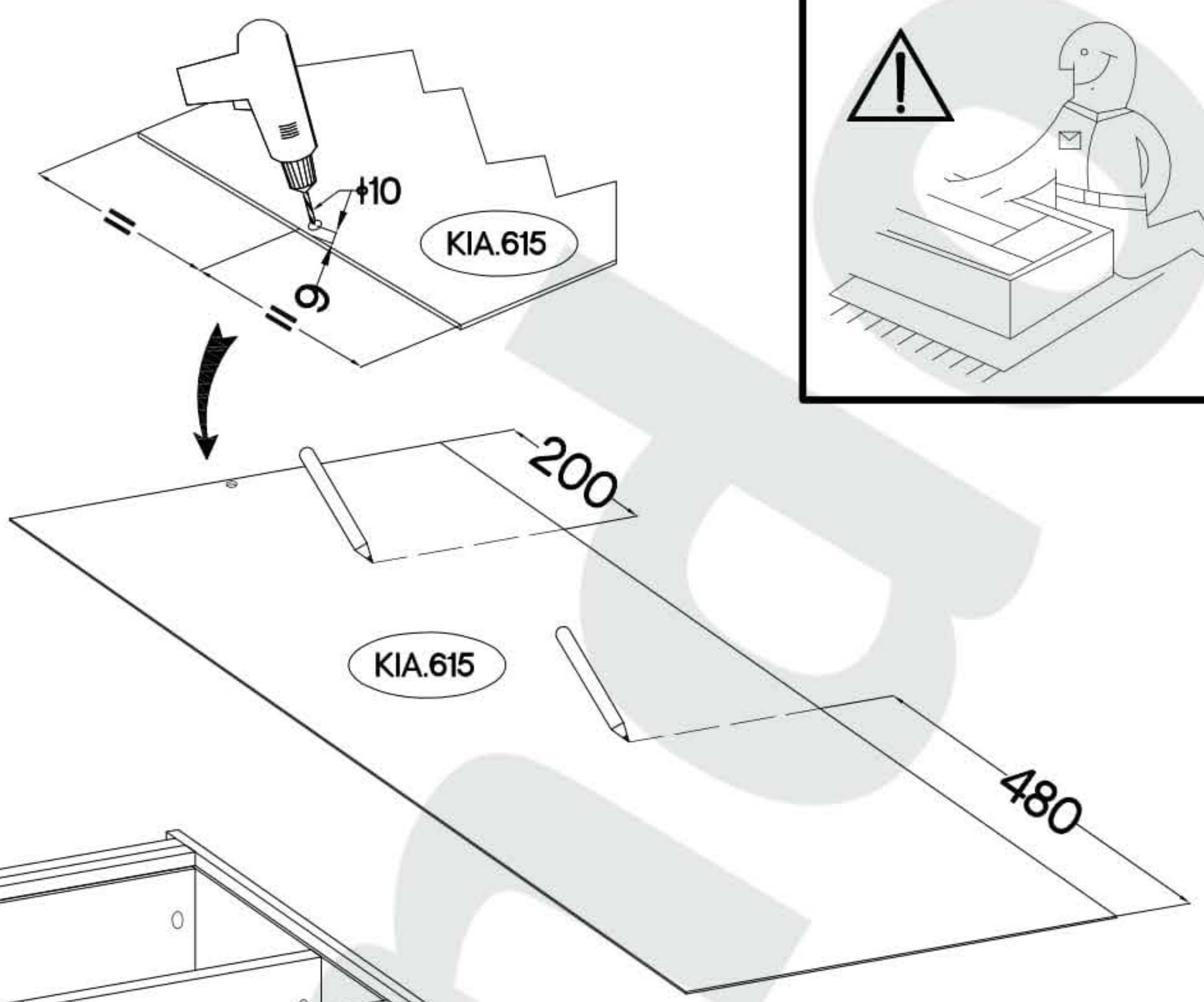
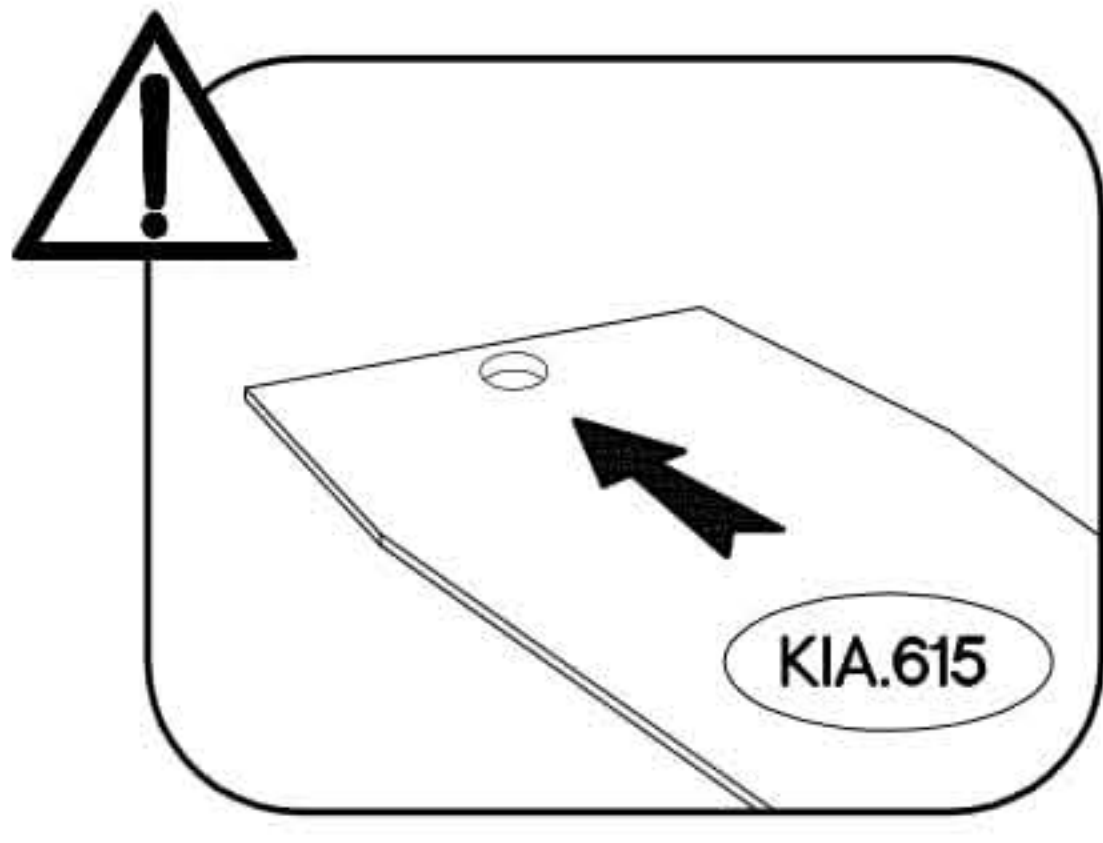
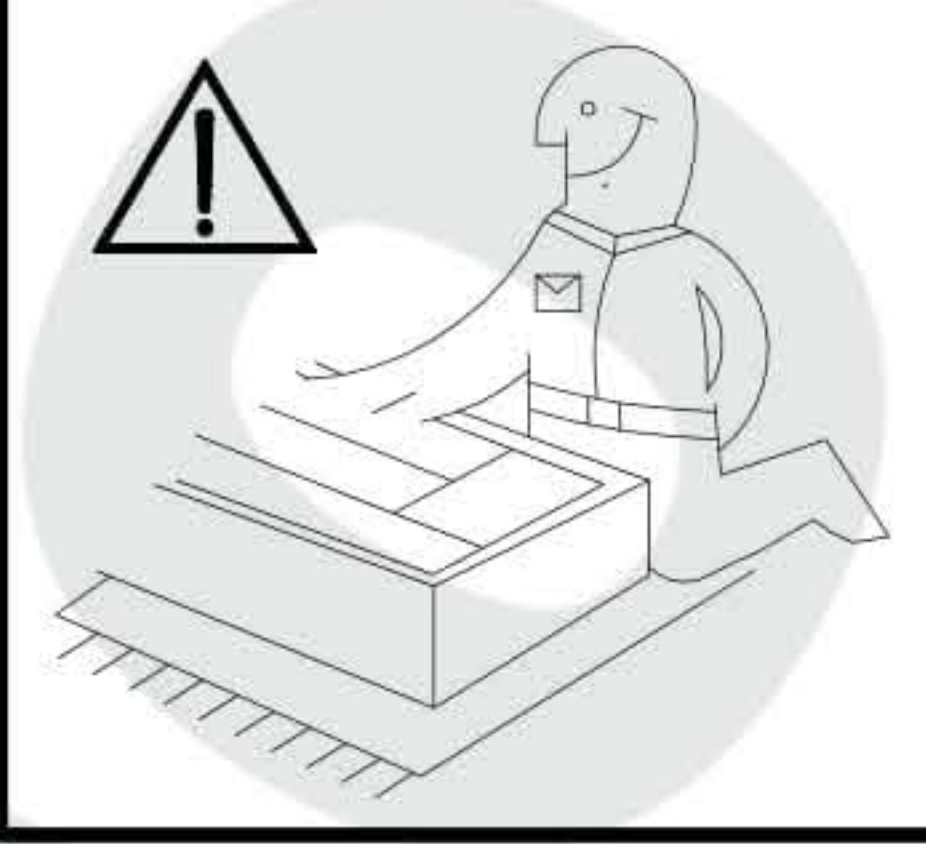





7

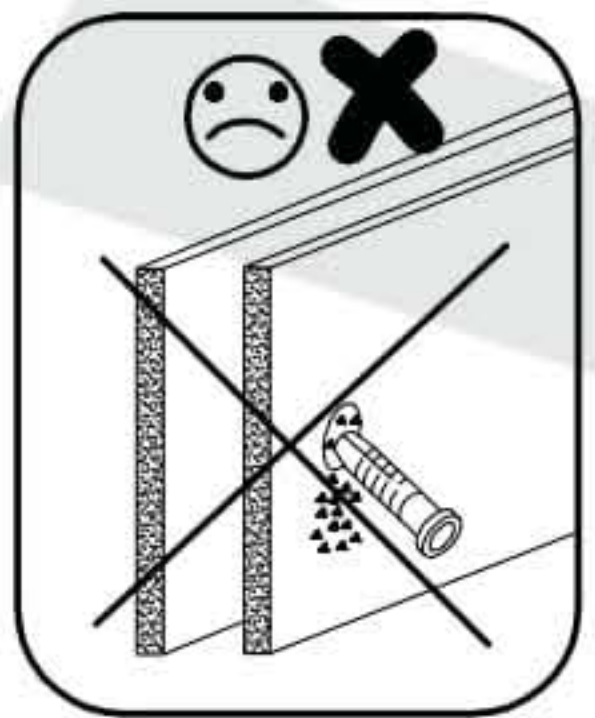
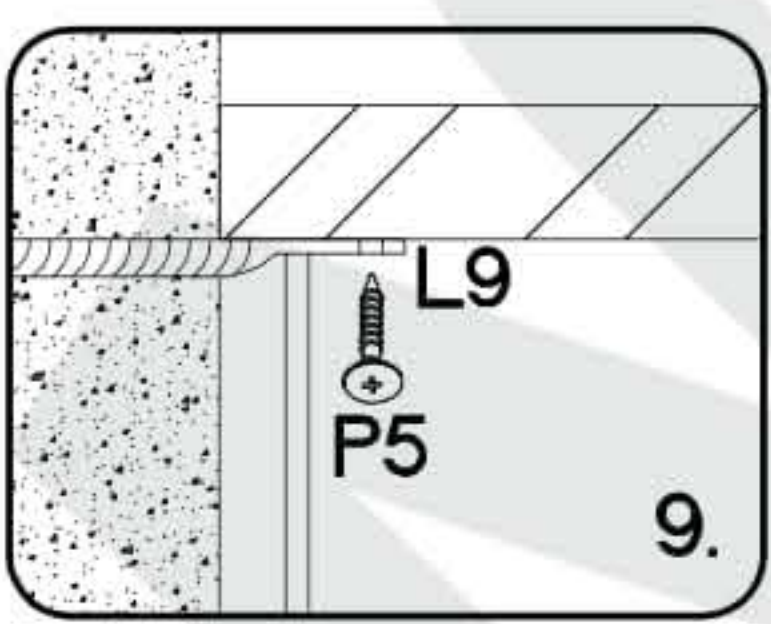
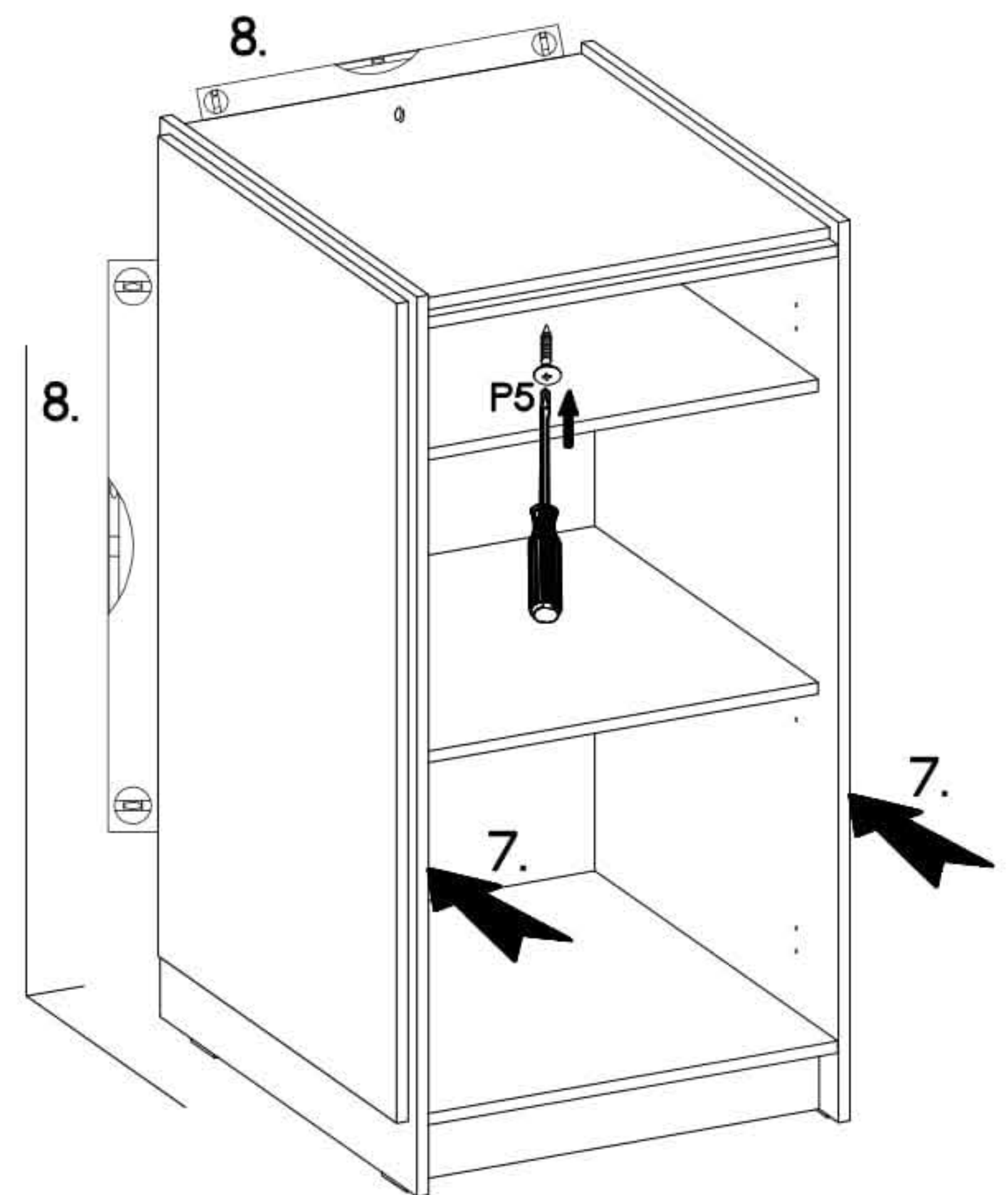
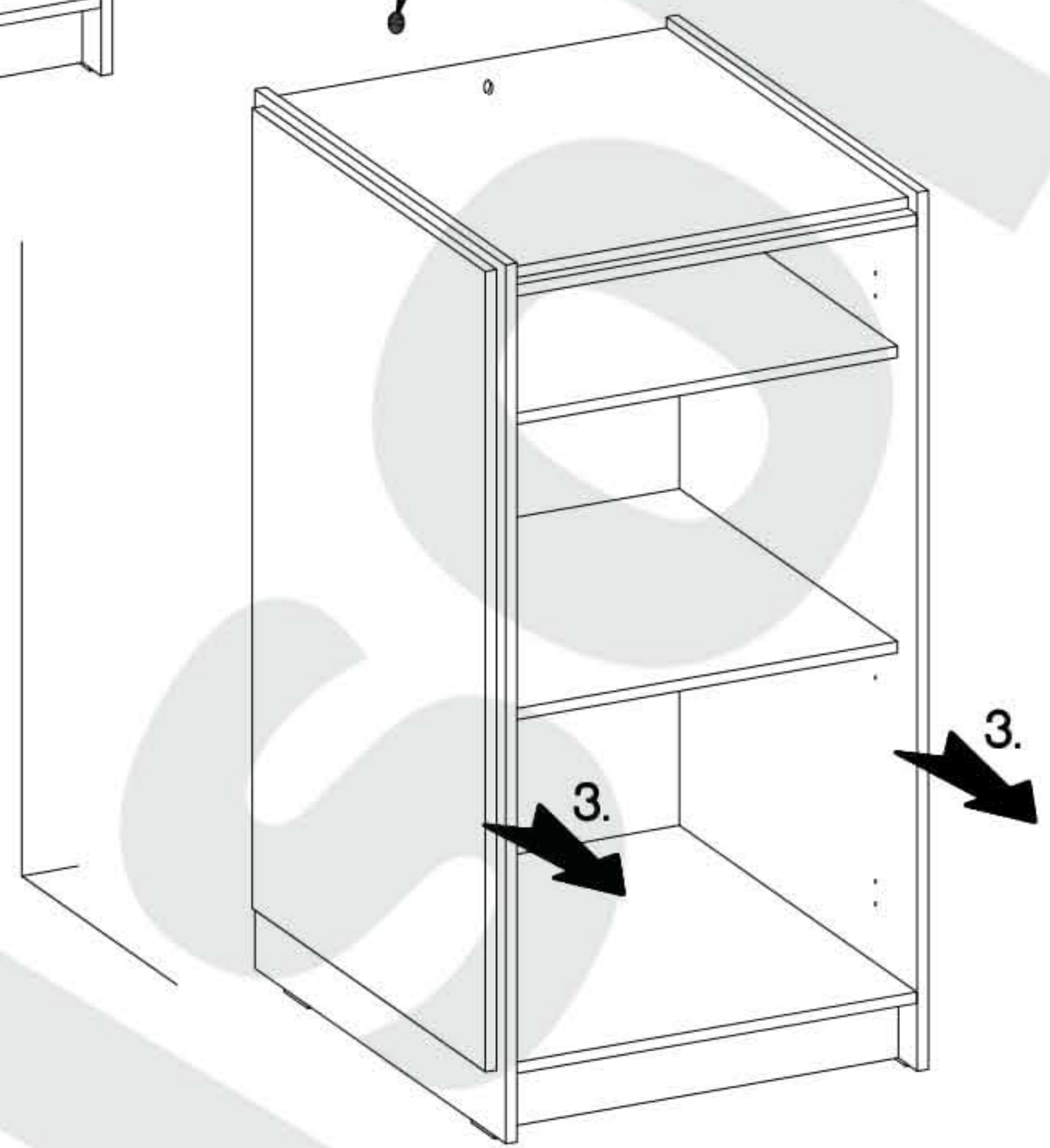
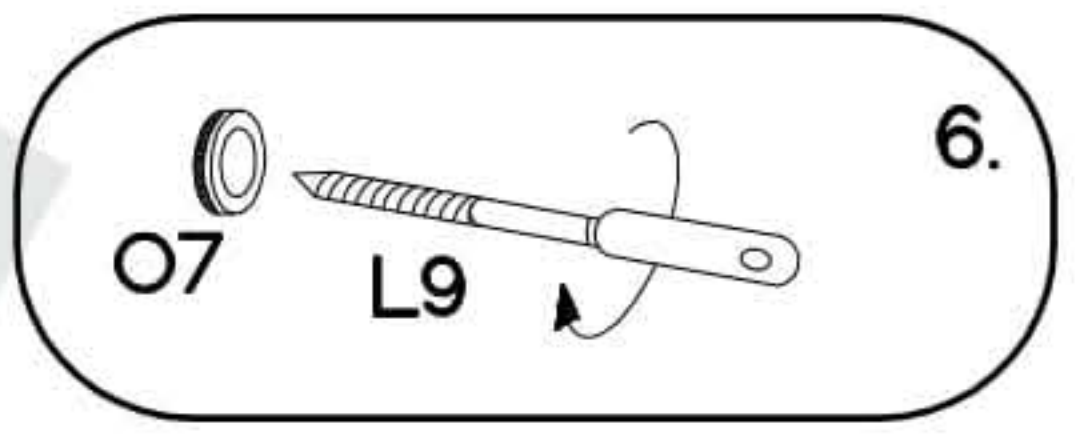
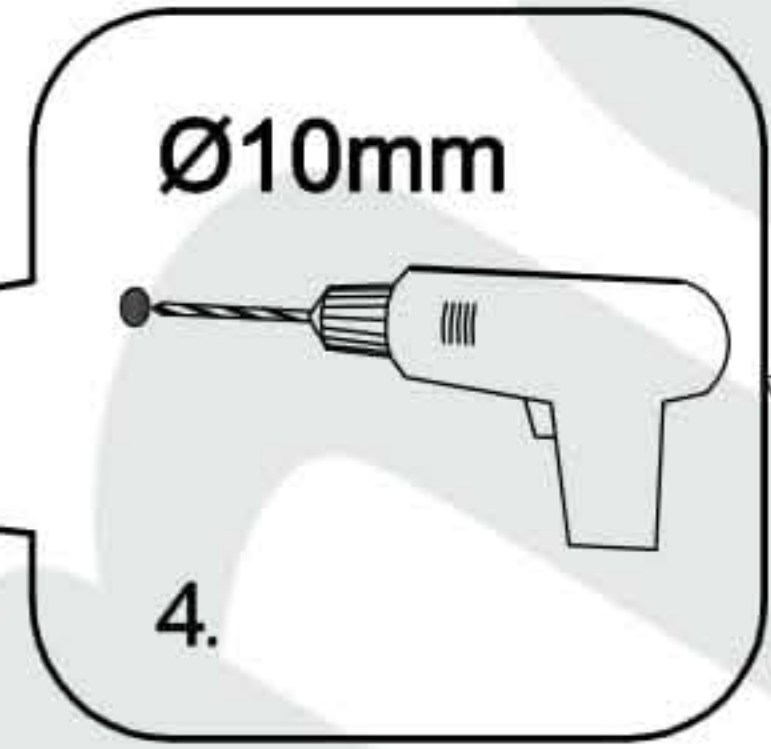
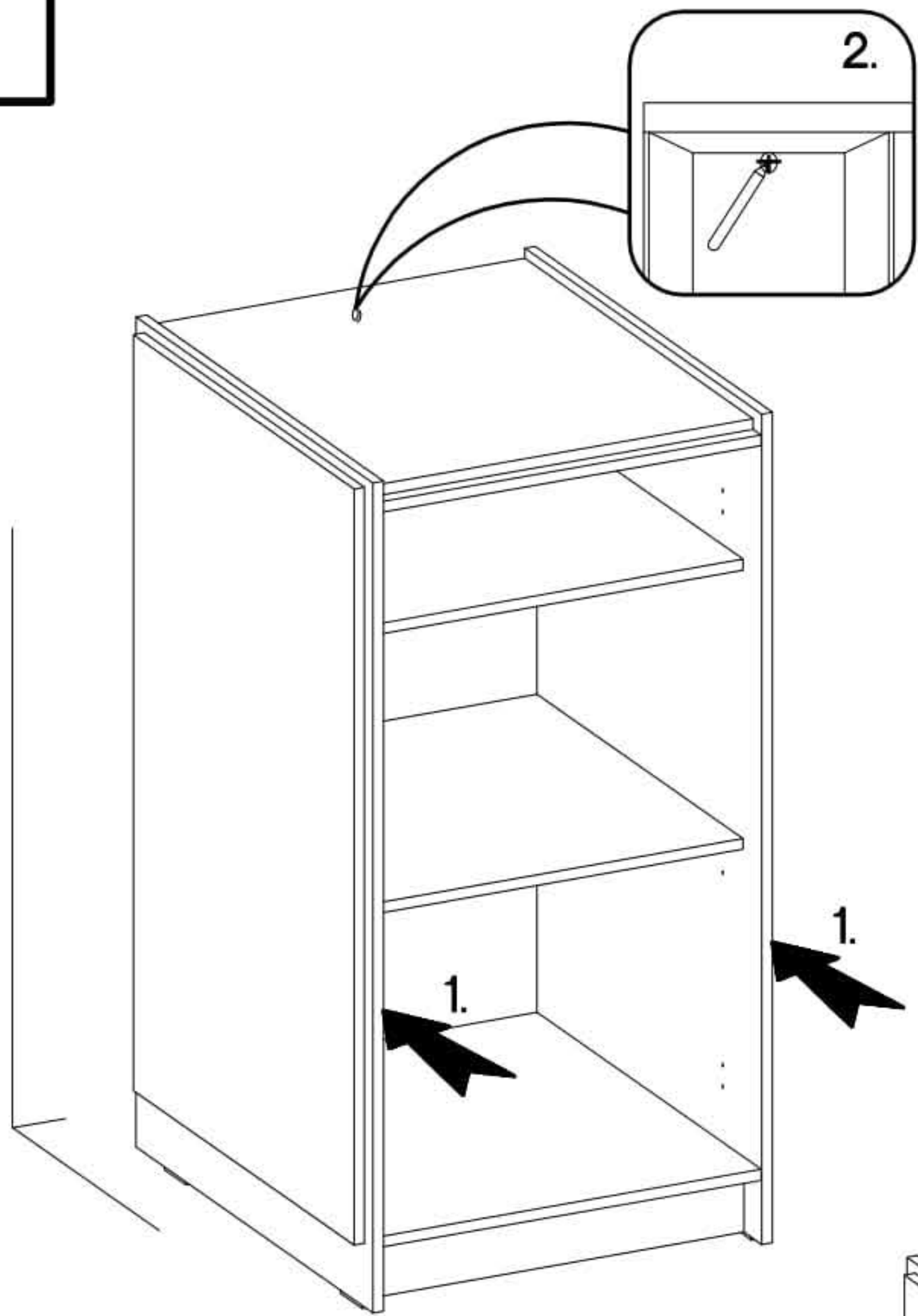



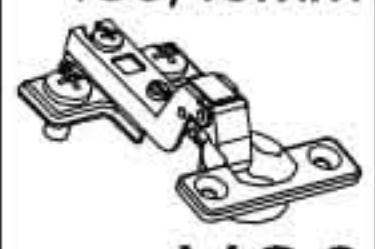

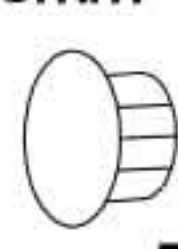



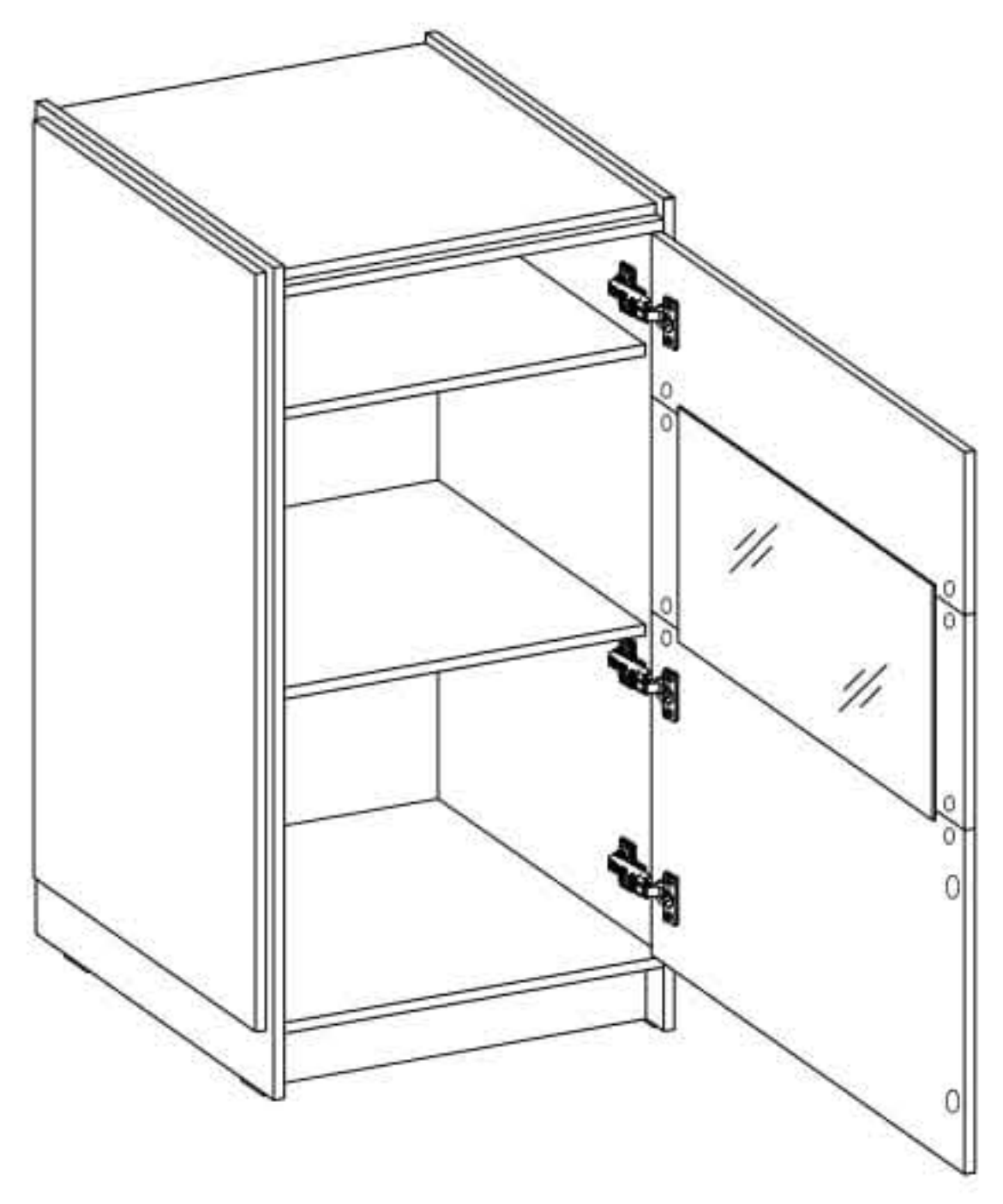
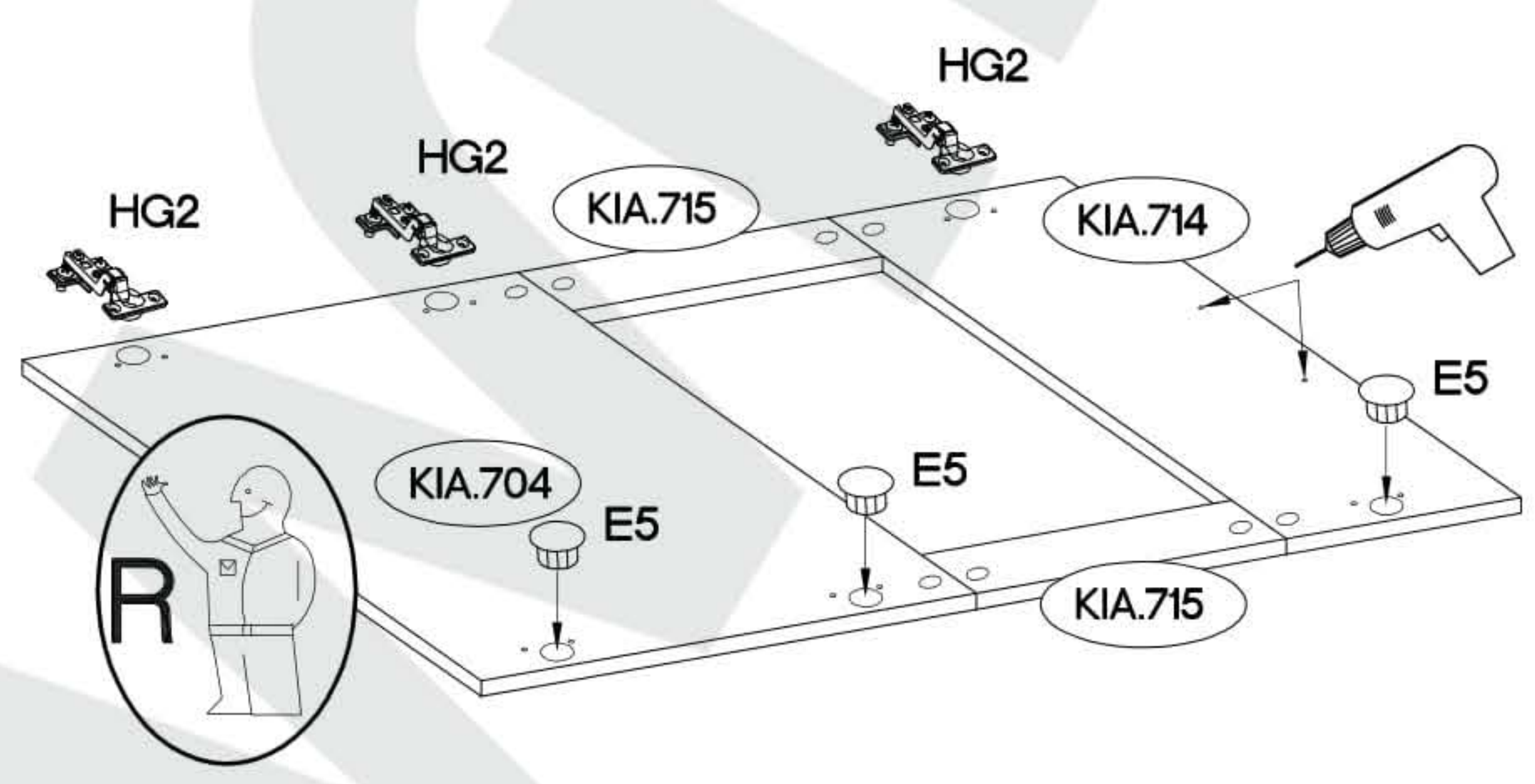
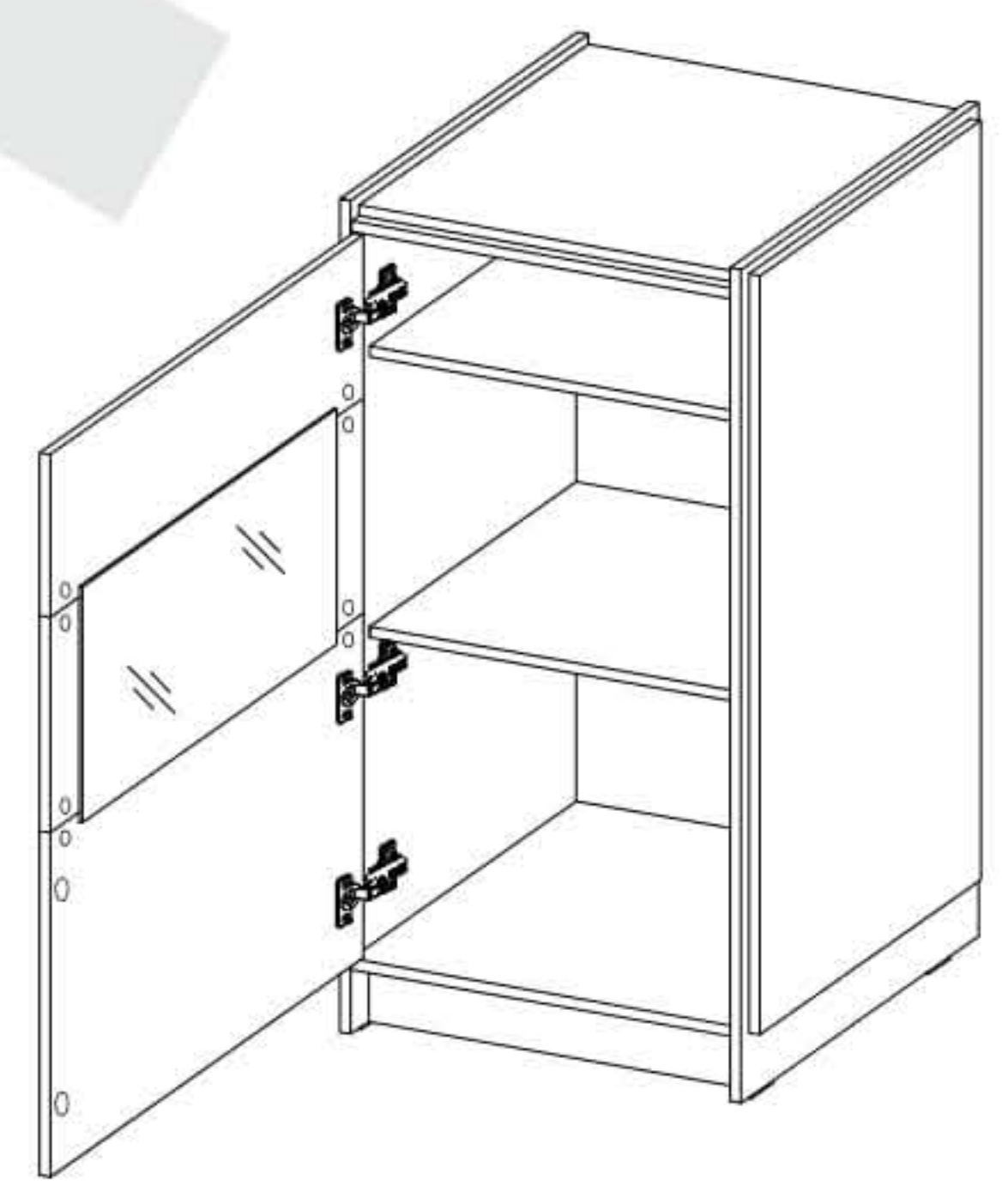
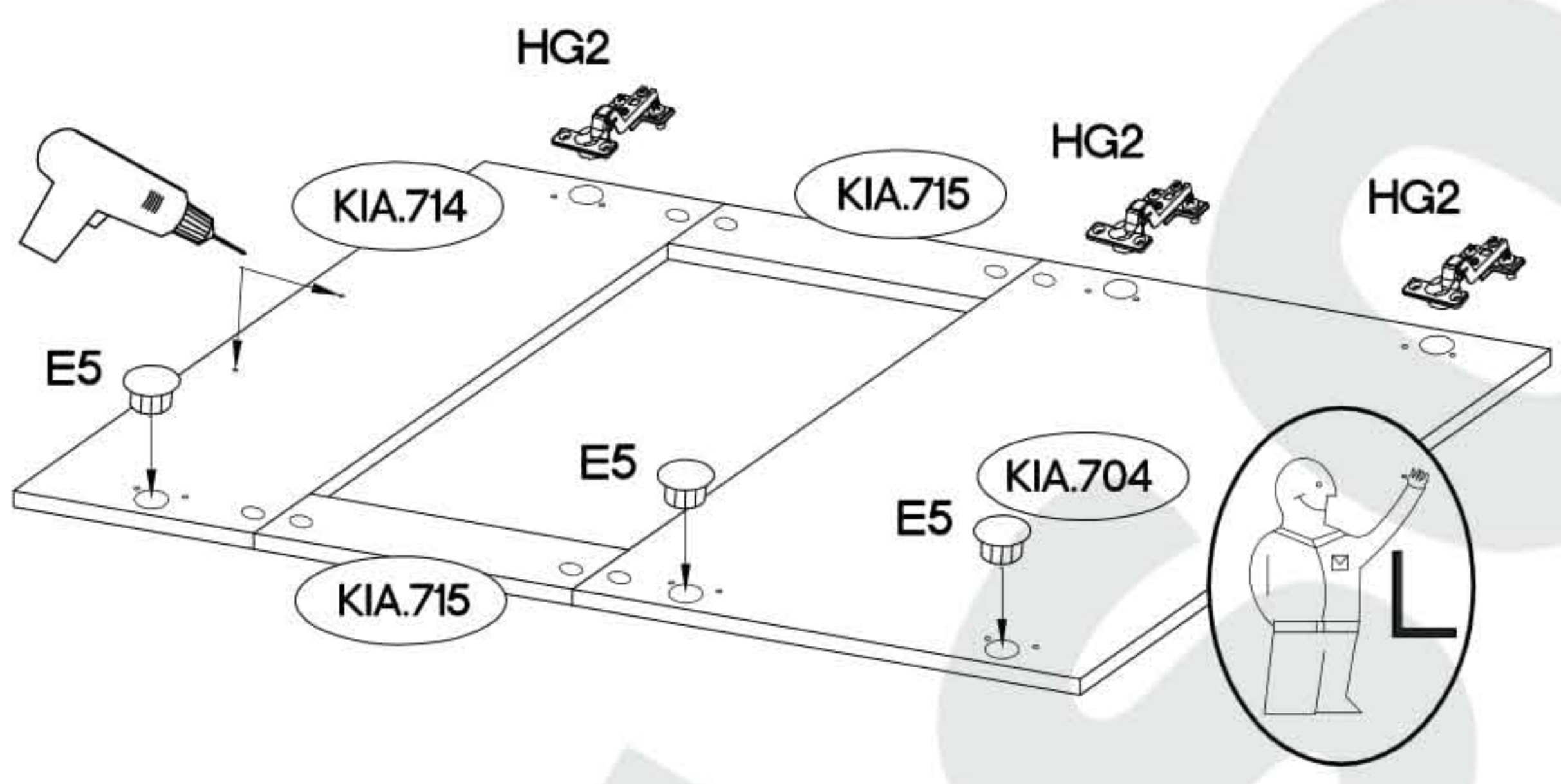
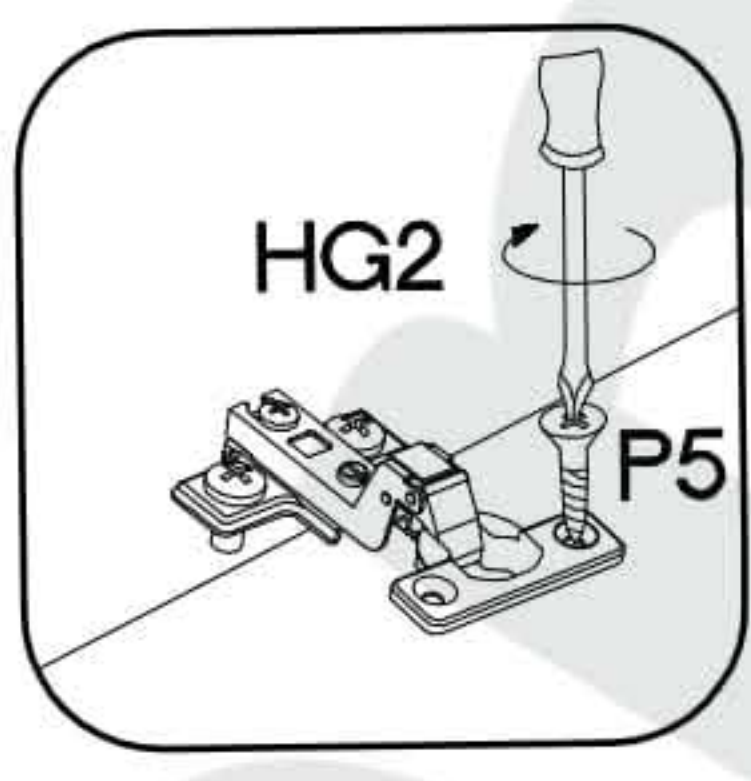
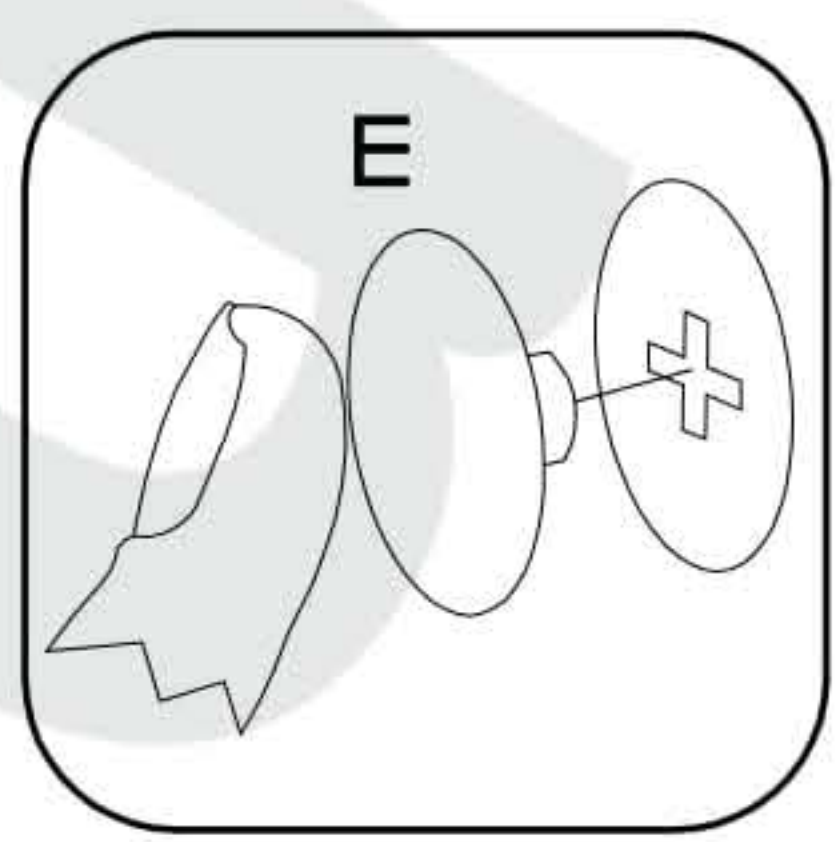
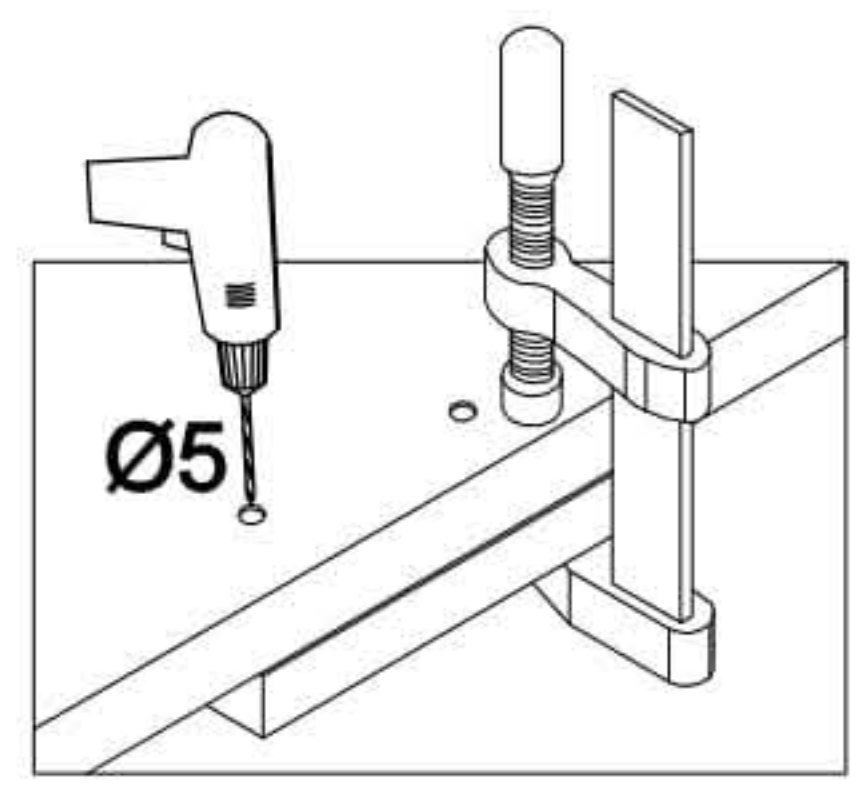
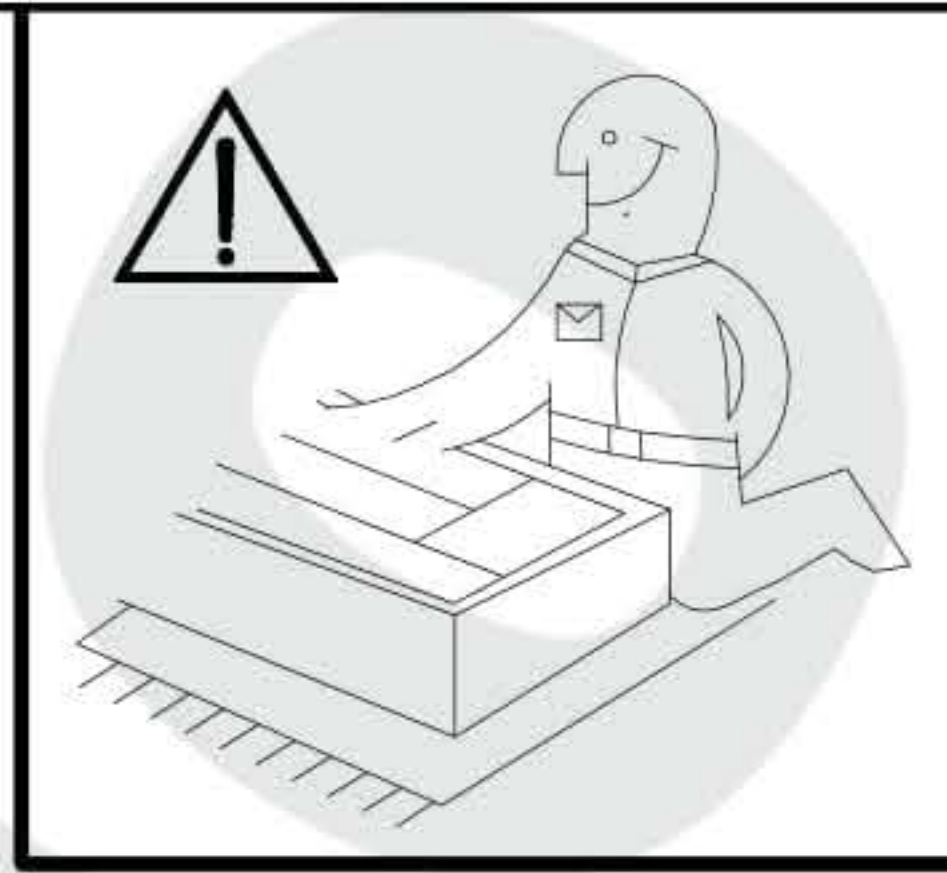
Ø3.0x20mm		
	P7	L
12		10

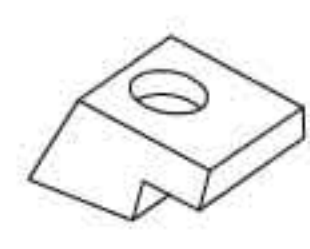



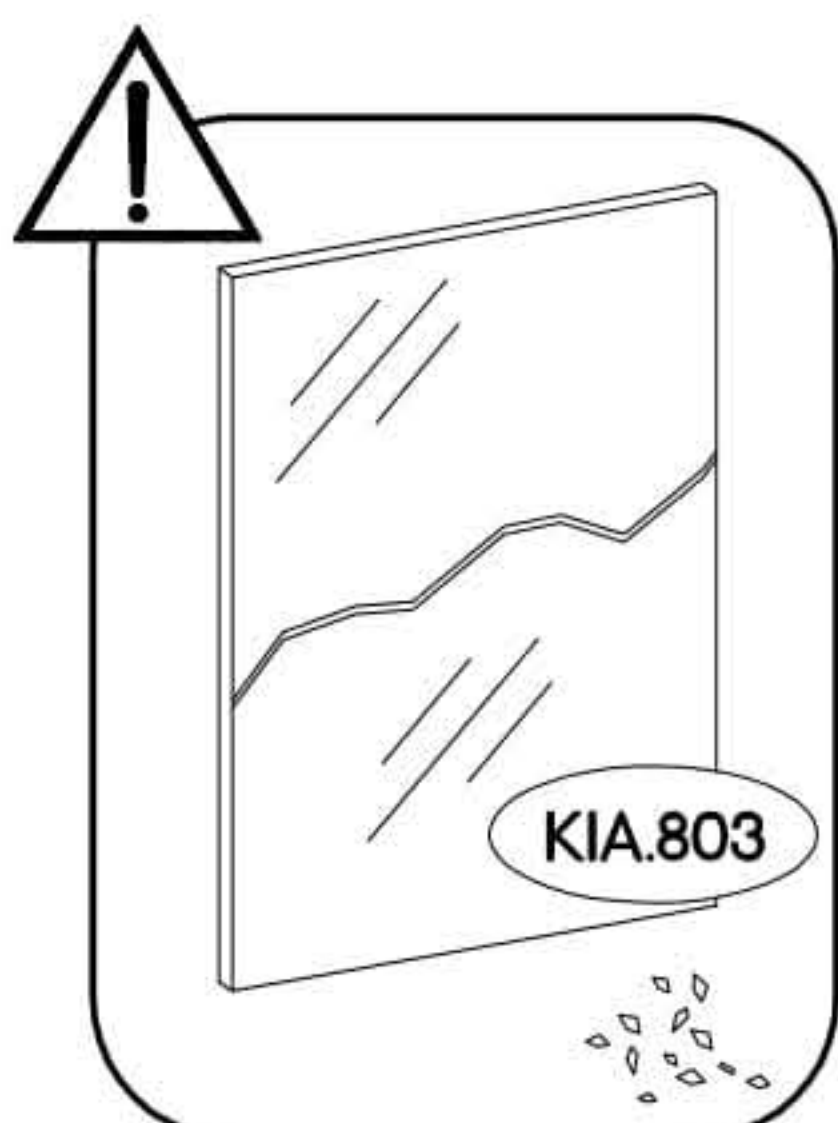
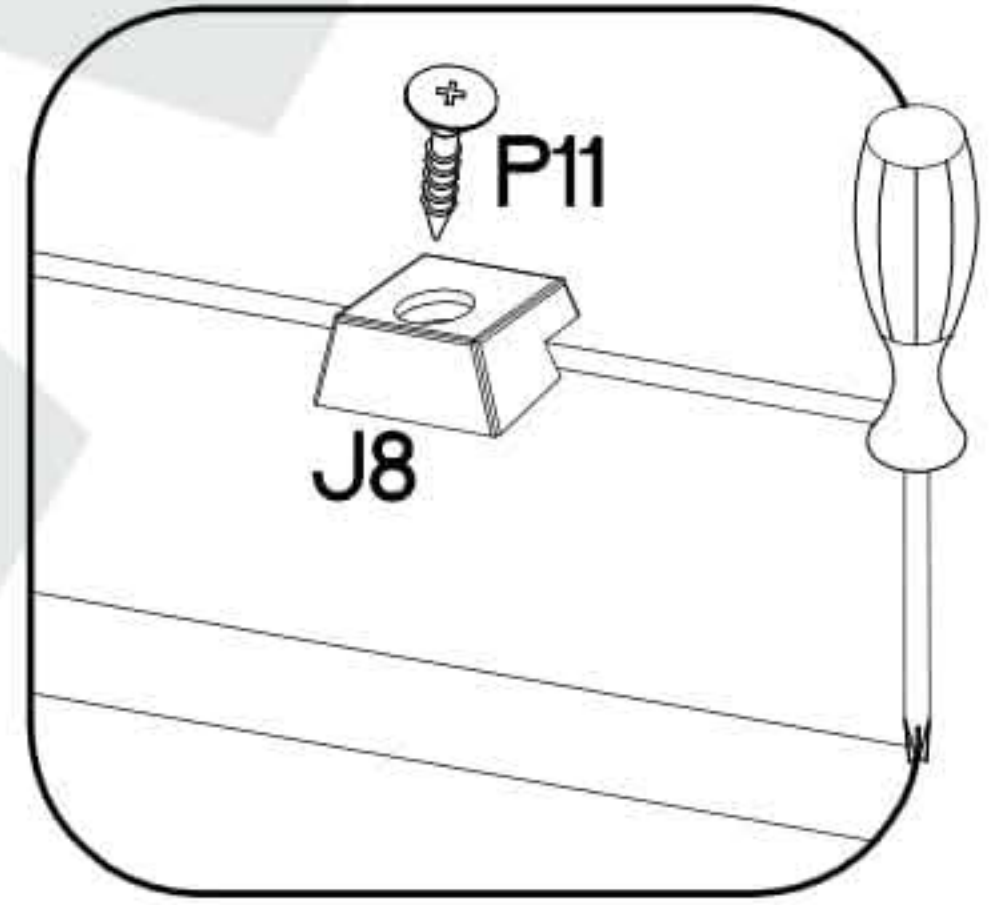
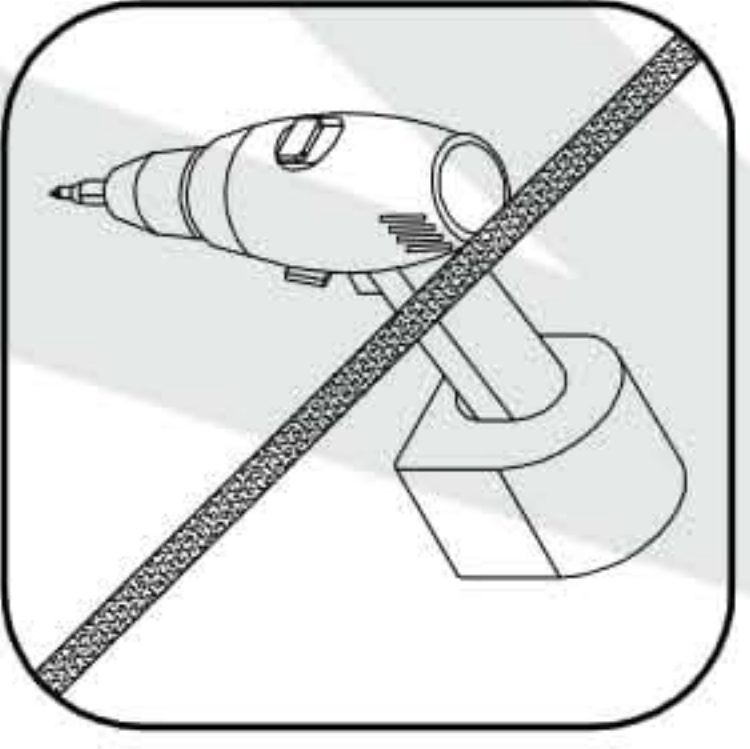
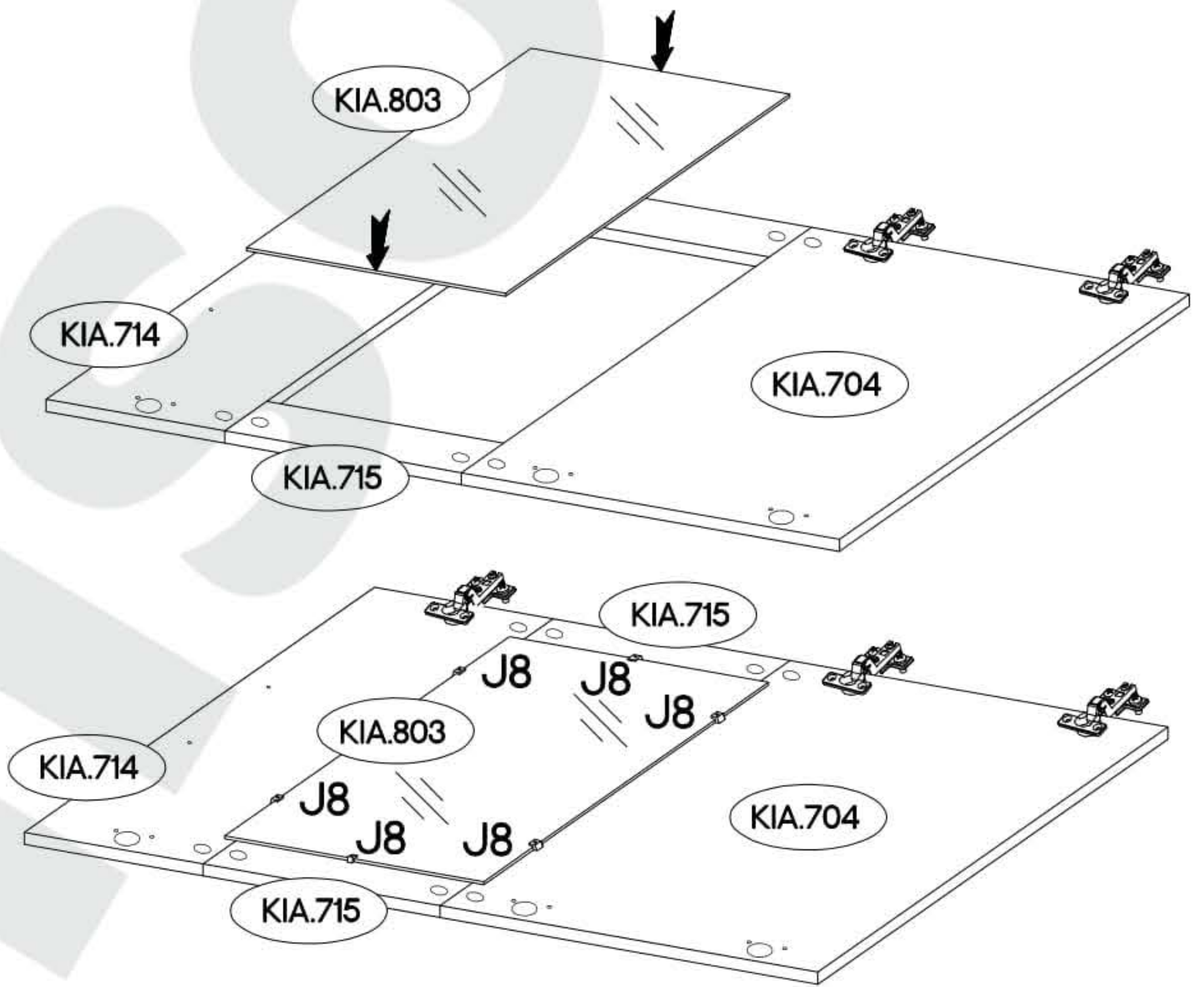
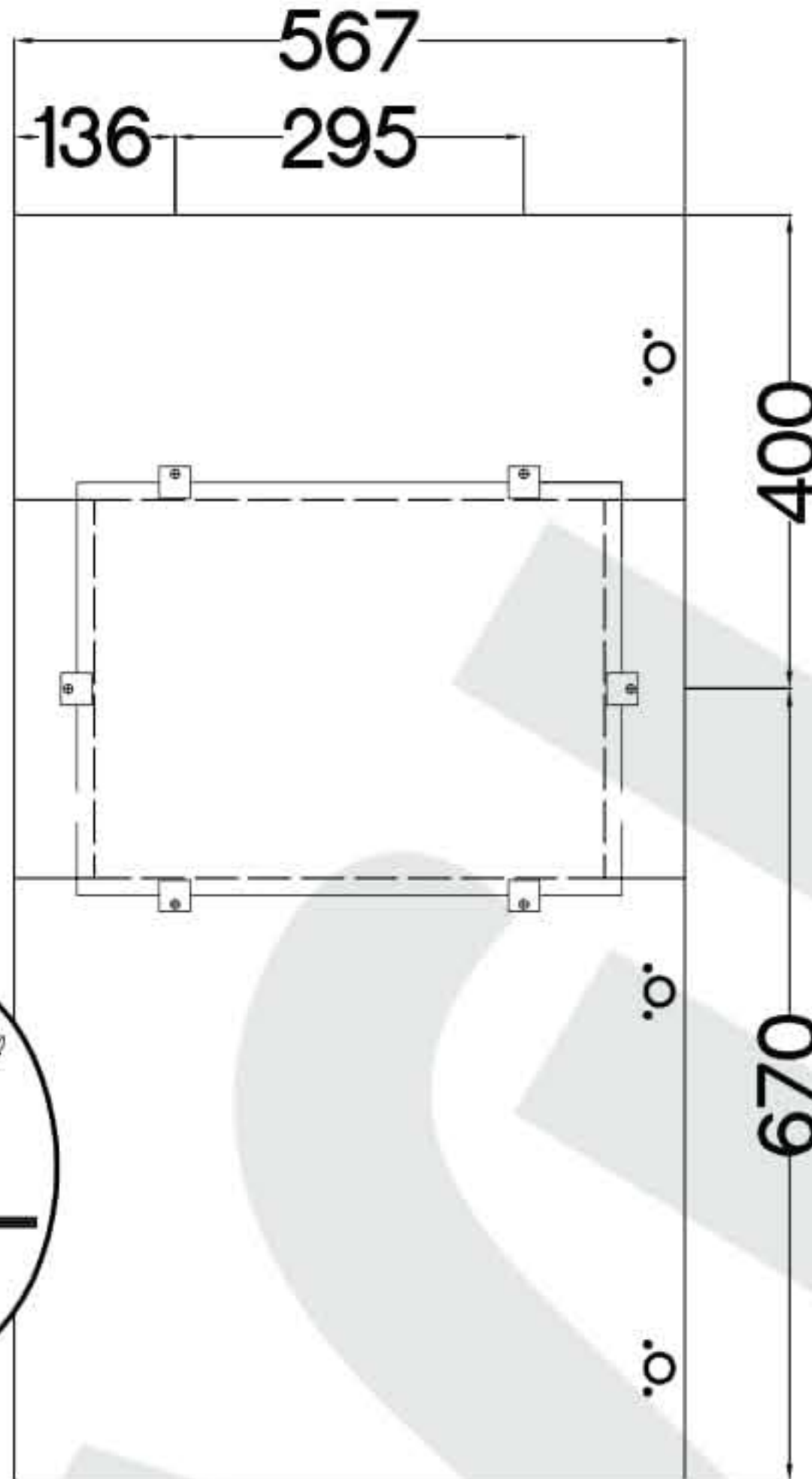
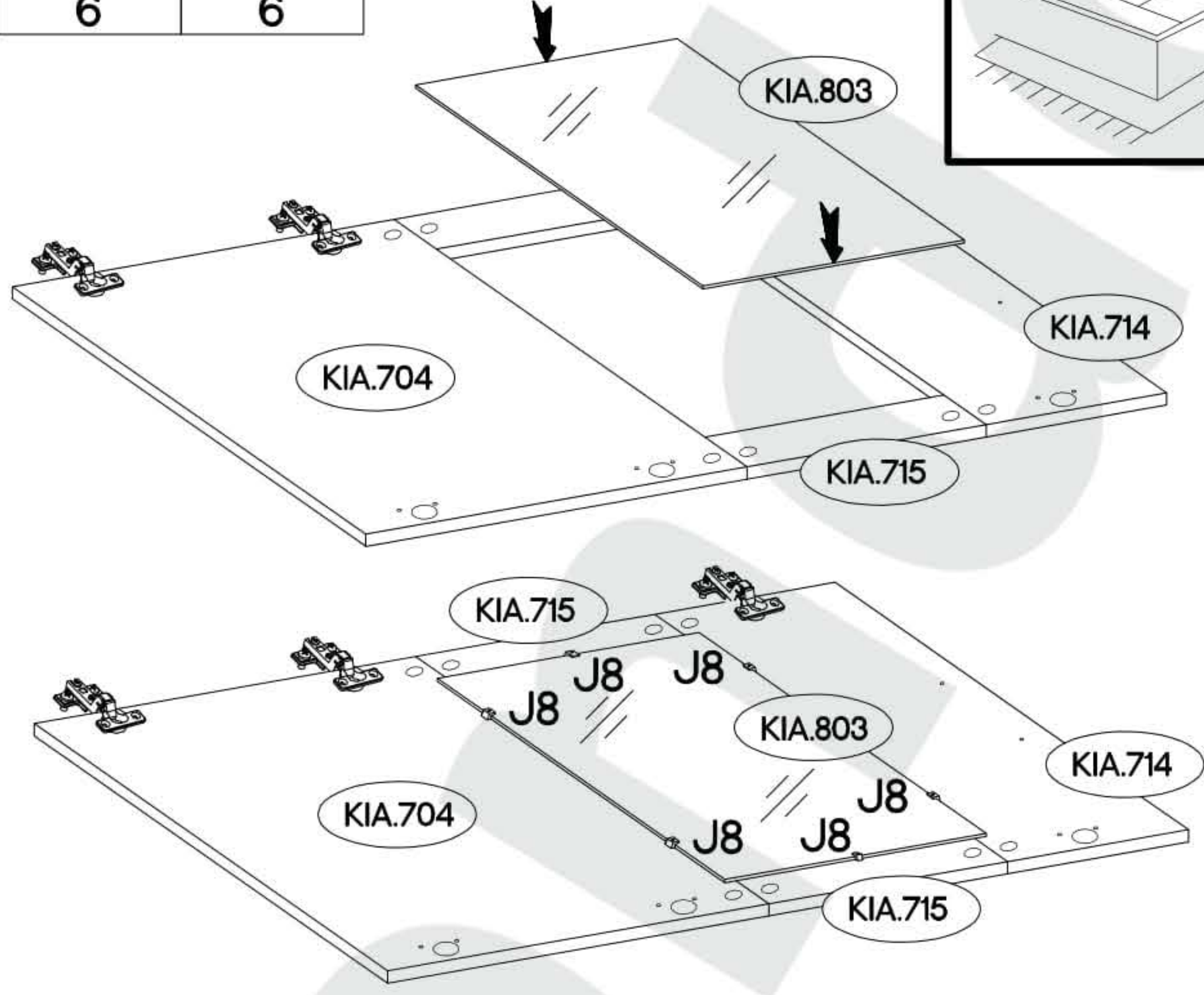
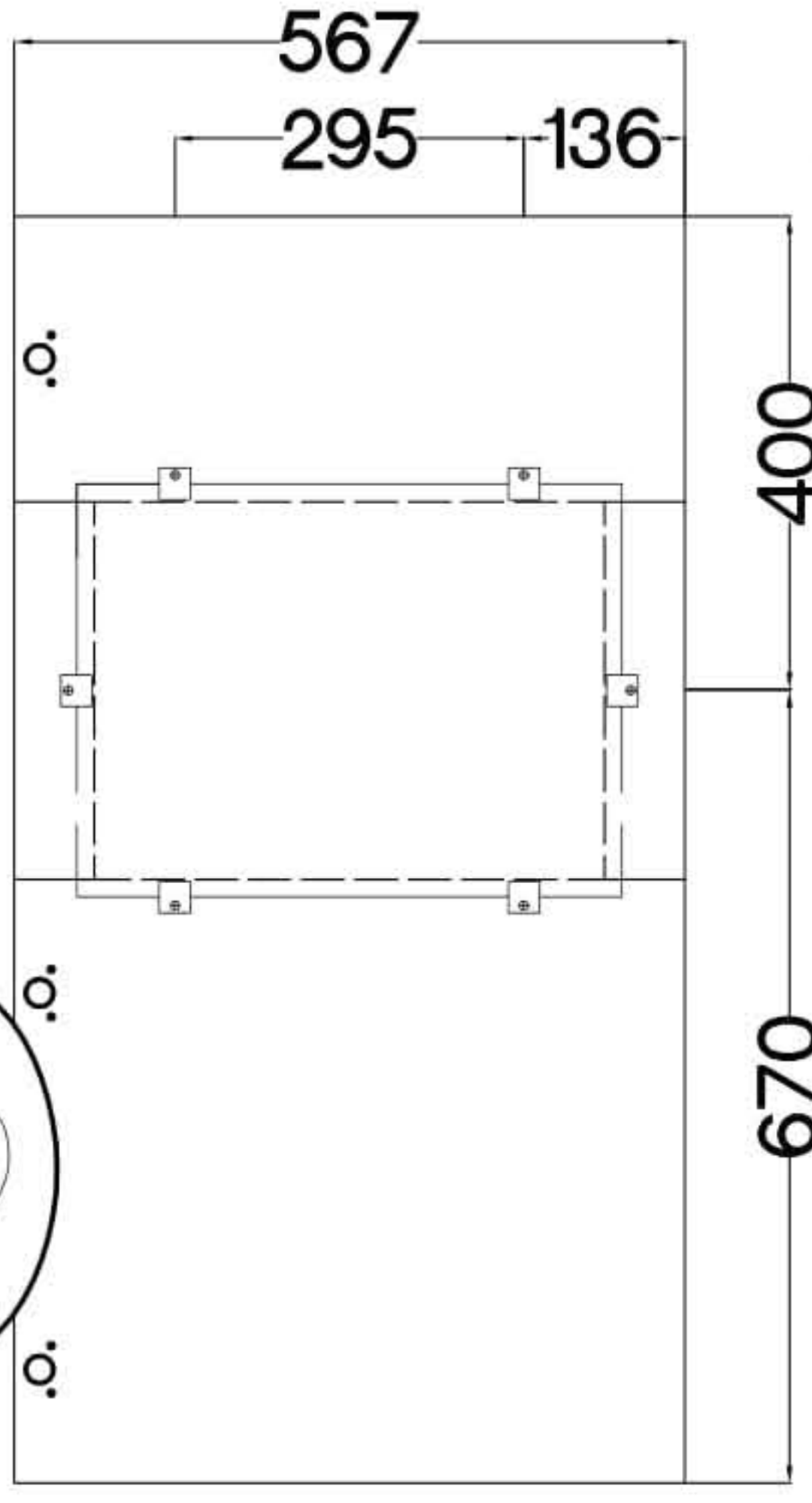
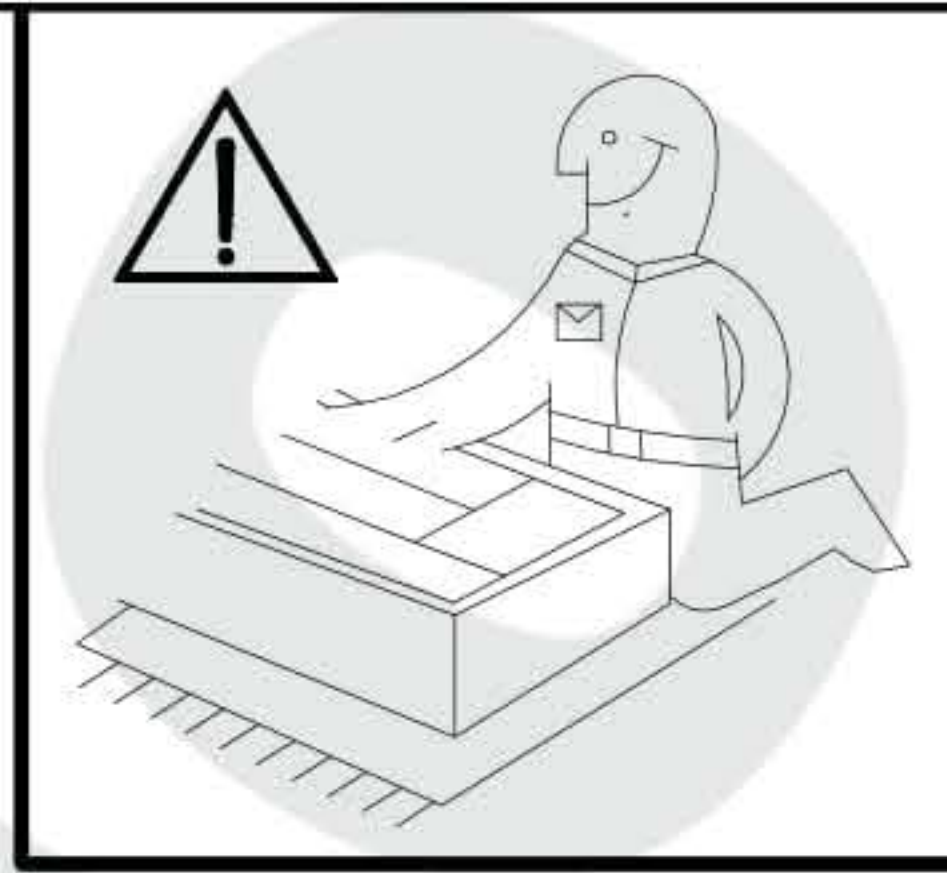
$\varnothing 10 \times 50 \text{mm}$  O7 1	 L9 1	$\varnothing 3.5 \times 13 \text{mm}$  P5 1
---	---	--

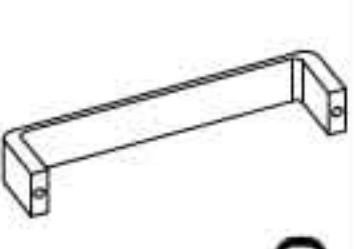




				
E	HG2	P5	E5	art. E
12	3	6	3	8



	±3.0x16mm 
J8 6	P11 6



L=128mm	M4x22mm	φ3.5x25mm BLACK
		
S	U	P25
1	2	1

