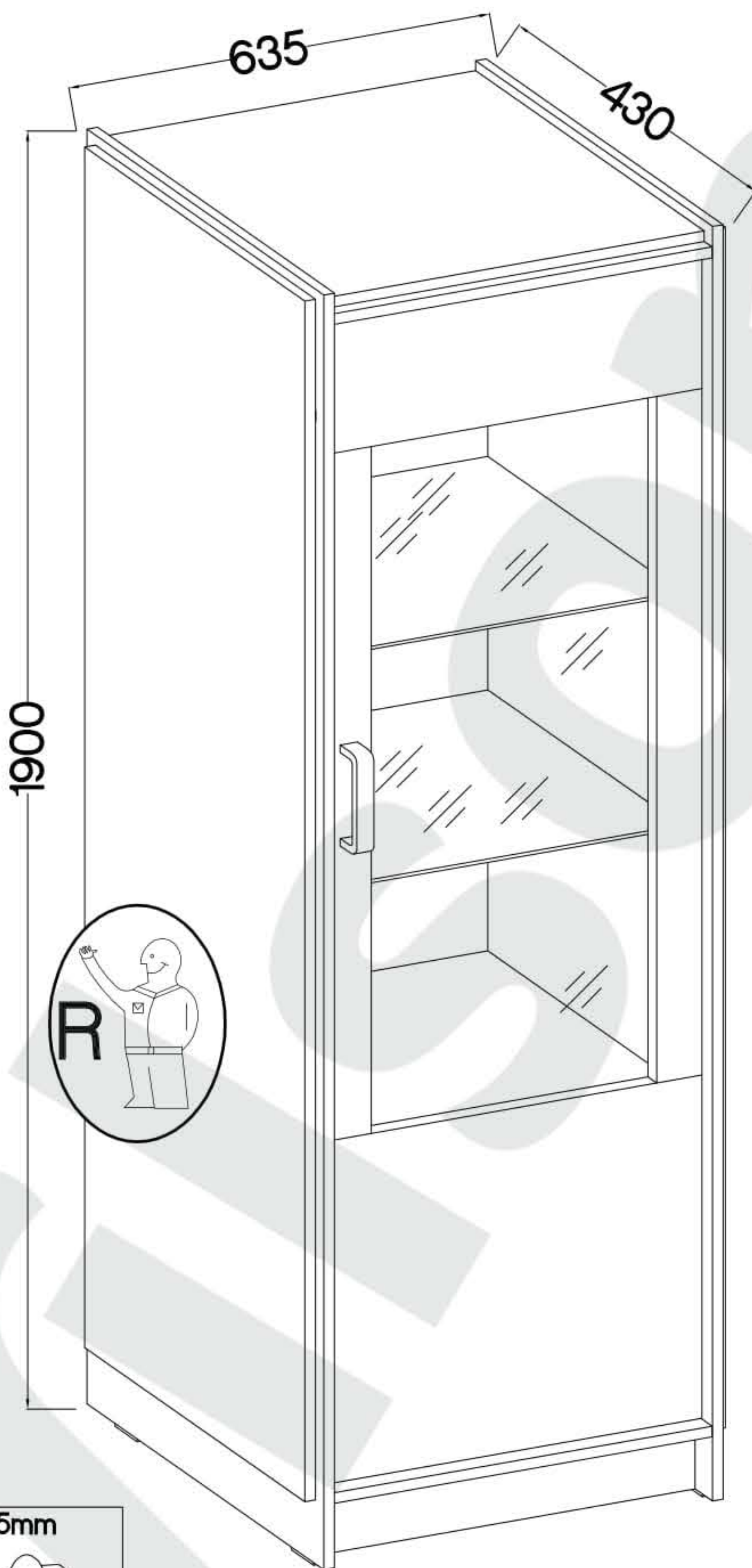


120 min

TYP 131



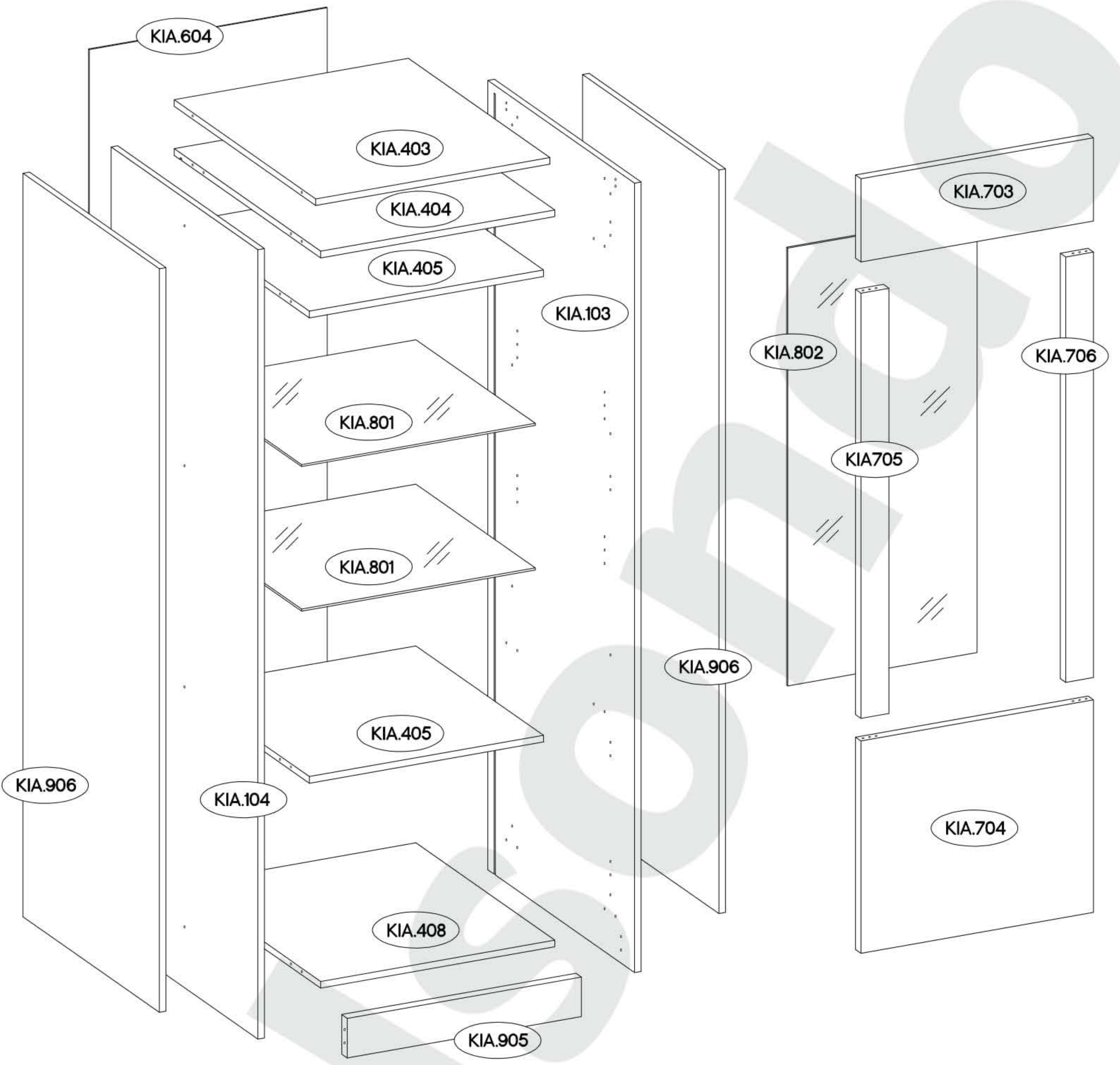
cza. E	art. E	‡35mm E5
12	8	3
L	75x30x15mm L19	O1
14	1	1

‡10x50mm O7	‡3.5x13mm P5	‡3.0x20mm P7	‡3.0x16mm P11
1	10	12	12

‡8x30mm A	‡8x60mm A2	‡8x20mm A4	
24	8	8	
‡15/12mm C	L=20mm D2	L=40mm D12	
24	16	4	
6.5x48x16 F2	‡35/16mm HG2	J8	‡5/16mm J12
4	4	12	8
‡5.0x60mm P12	‡3.5x25mm BLACK P25	L=128mm S	M4x22mm U
1	17	1	2

ISM-KIA-002

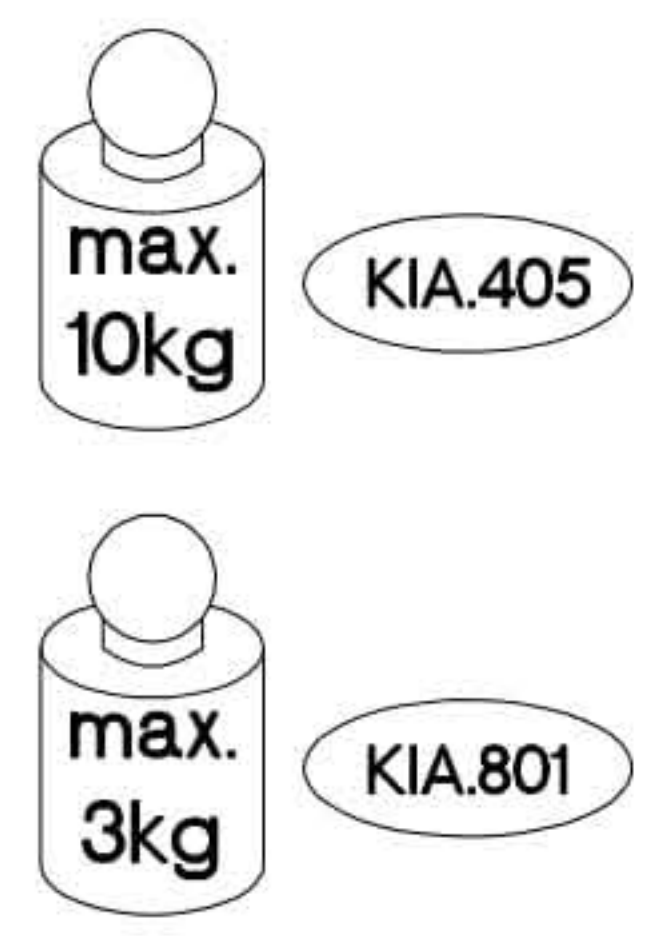




Colli	Ersatzteil Nummer	Dimension
1/3	KIA.403	571x415x16
	KIA.404	571x429x16
	KIA.405 x2	571x374x16
	KIA.408	571x407x16
	KIA.801 x2	570x350x5


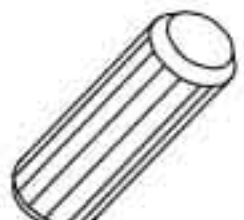

Colli	Ersatzteil Nummer	Dimension
2/3	KIA.604	1756x580x2,5
	KIA.703	567x200x16
	KIA.704	567x510x16
	KIA.705	1021x68x16
	KIA.706	1021x68x16
	KIA.802	1051x461x4
	KIA.905	571x95x16
	KIA.906 x2	1785x400x16

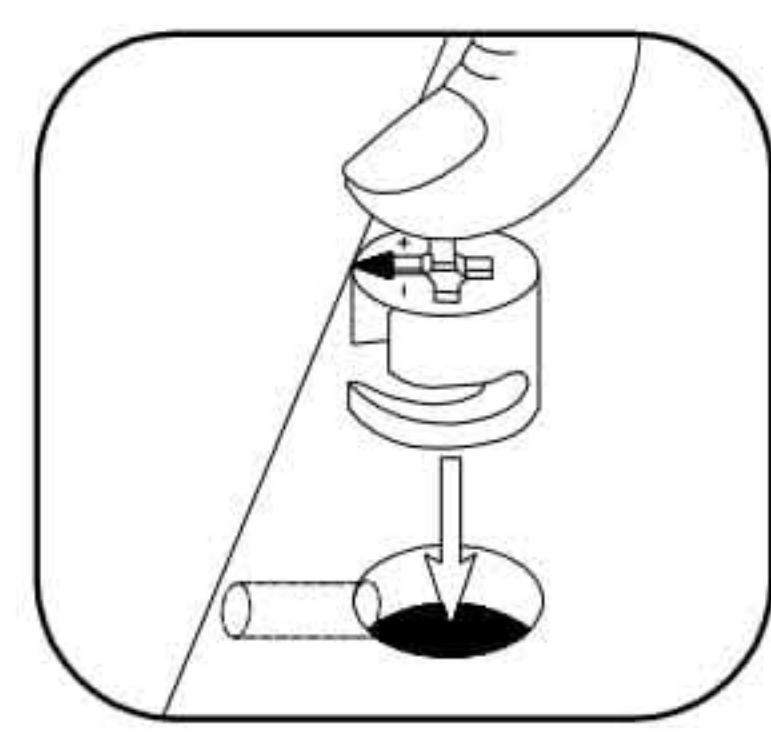
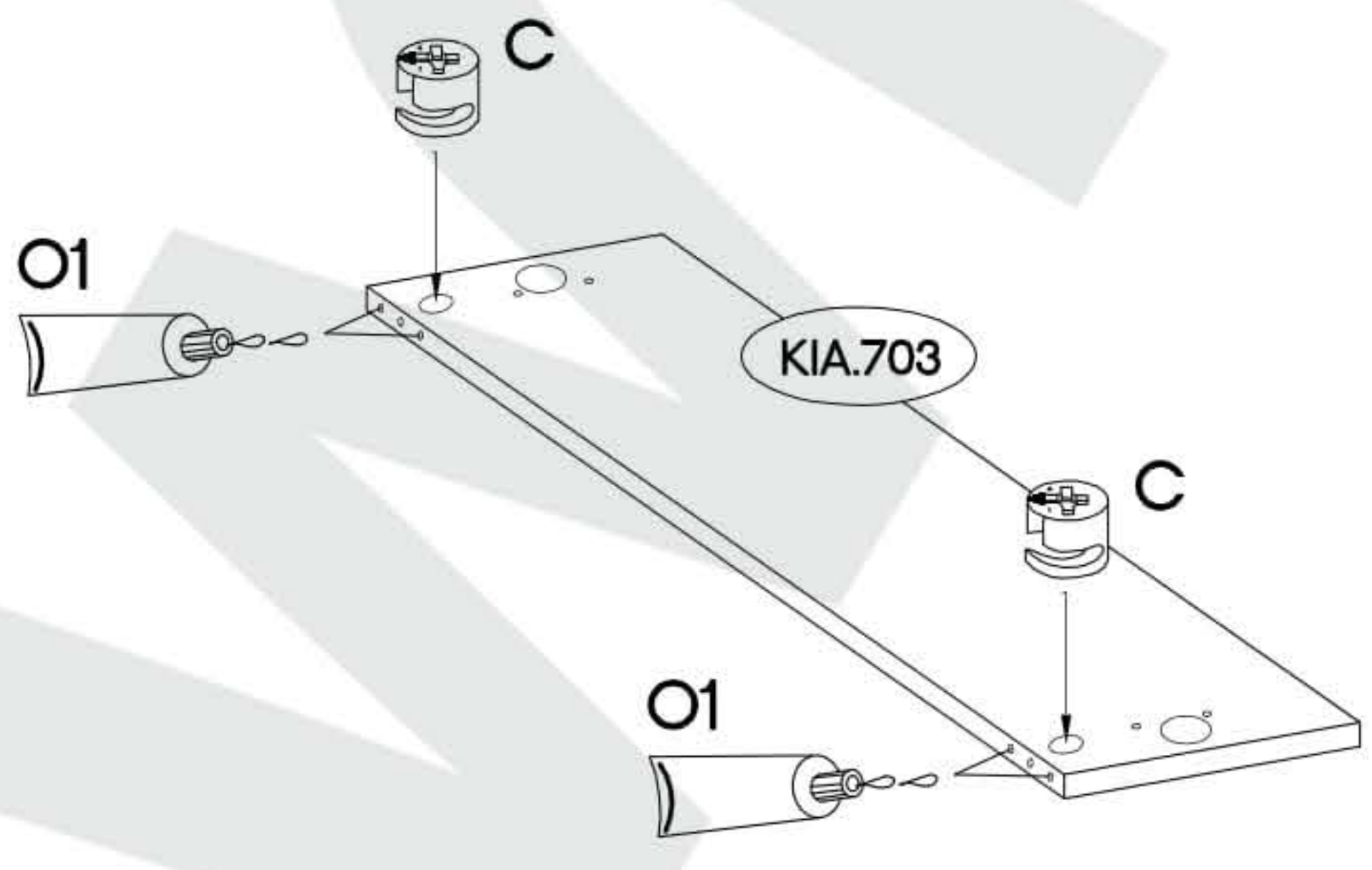
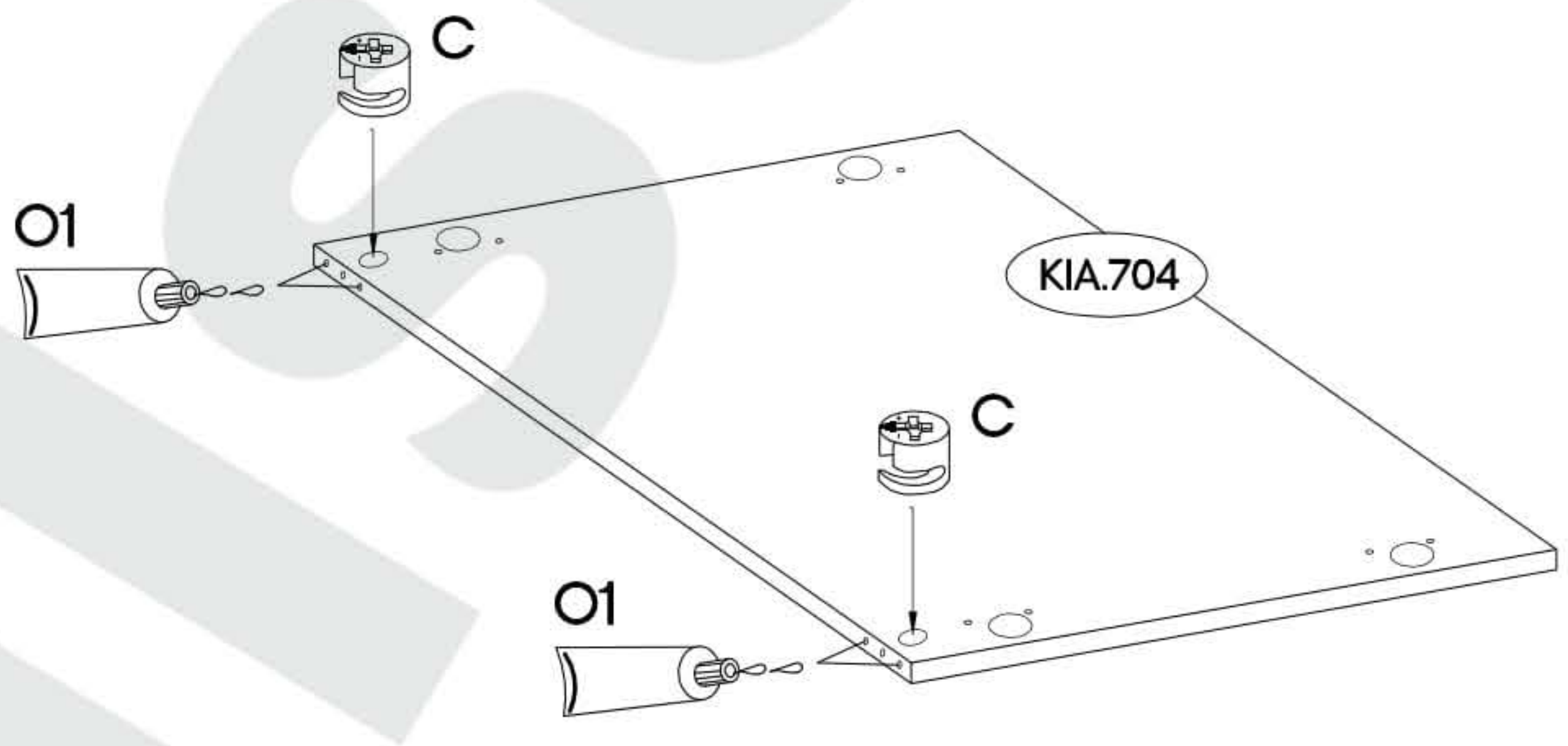
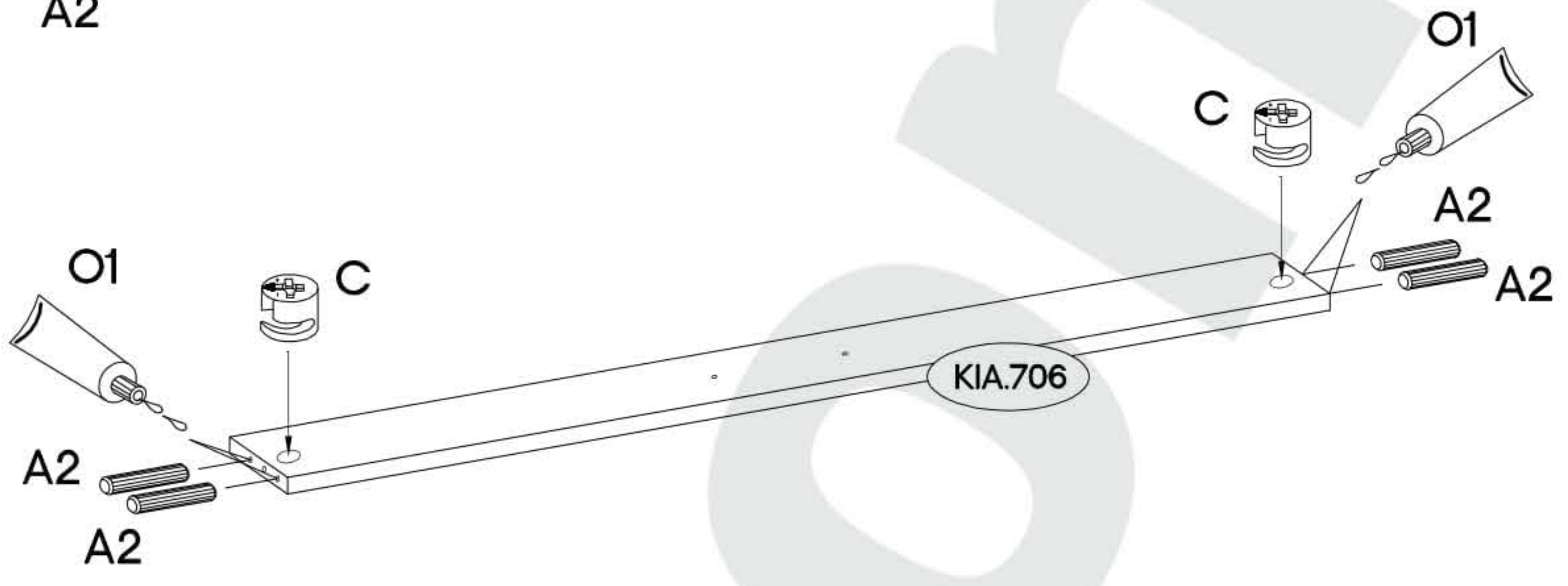
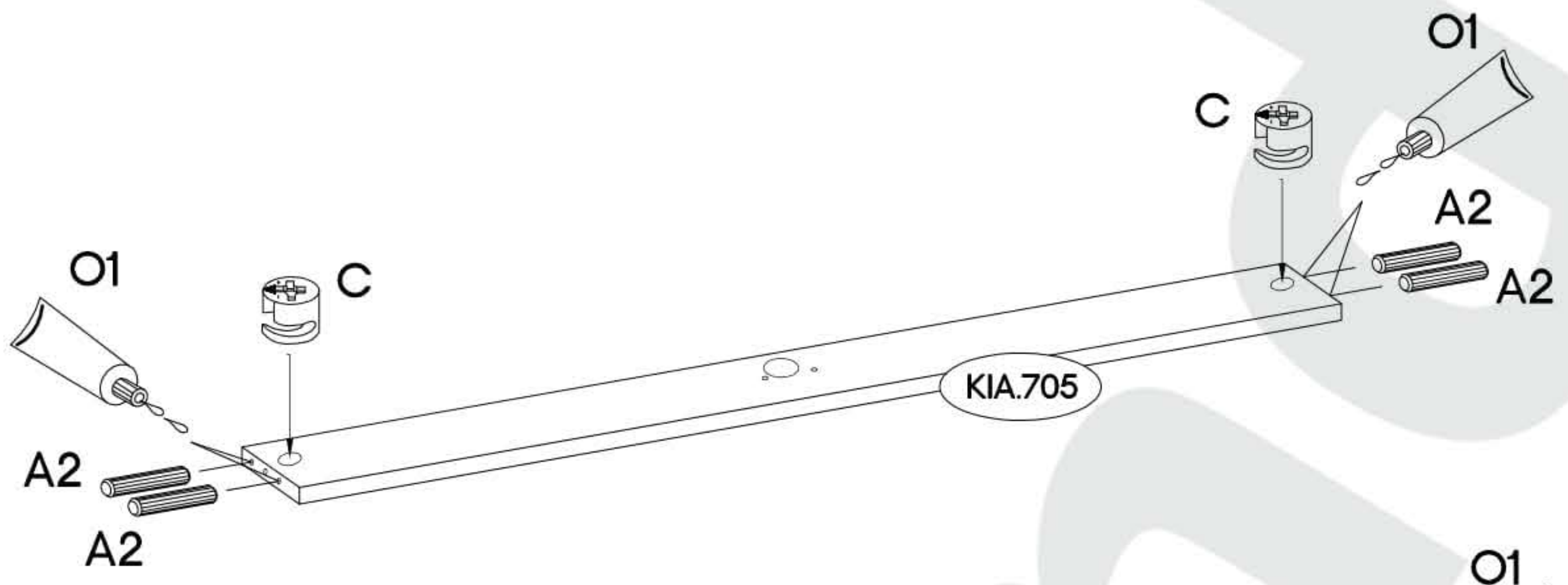
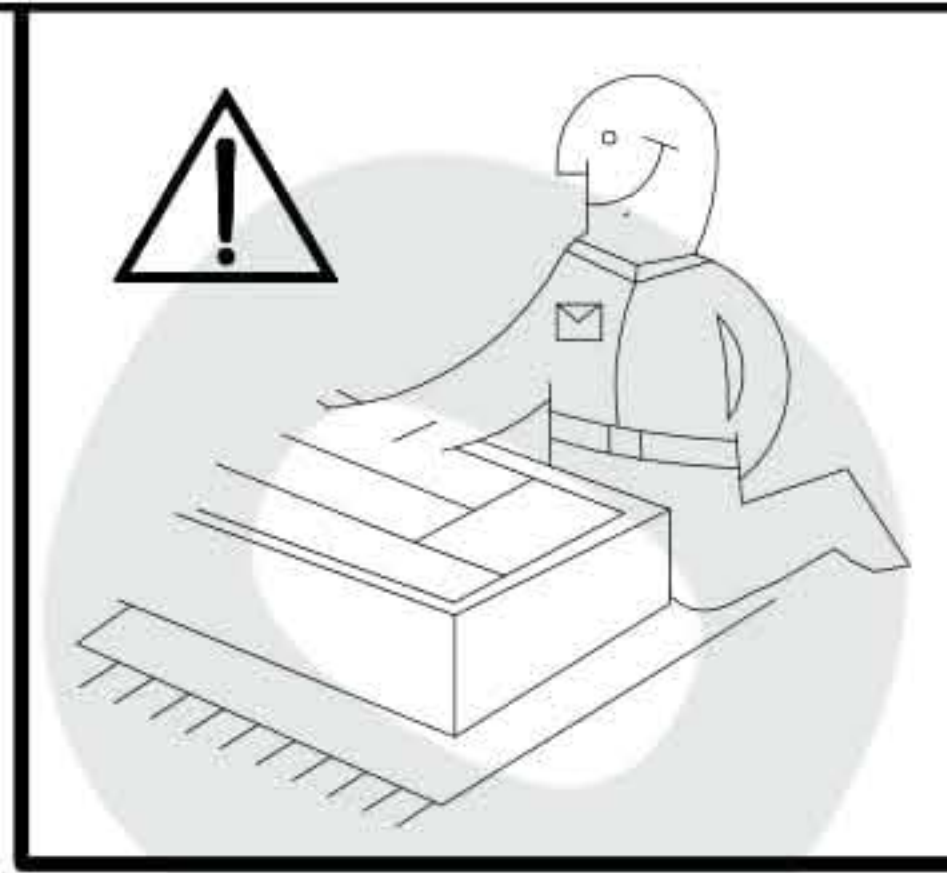
Colli	Ersatzteil Nummer	Dimension
3/3	KIA.103	1895x430x16
	KIA.104	1895x430x16





1

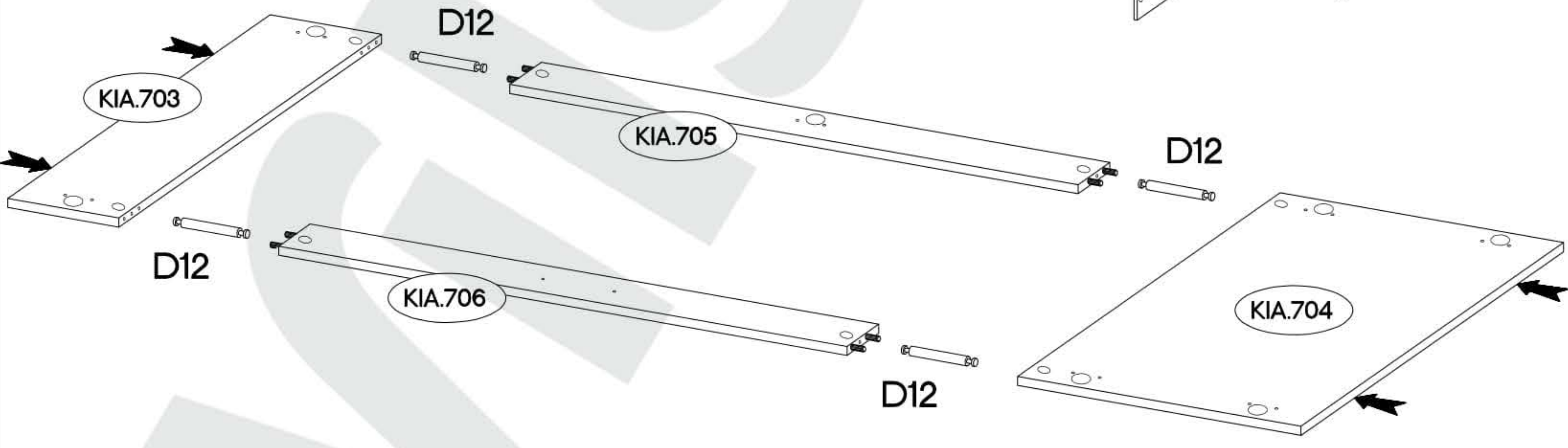
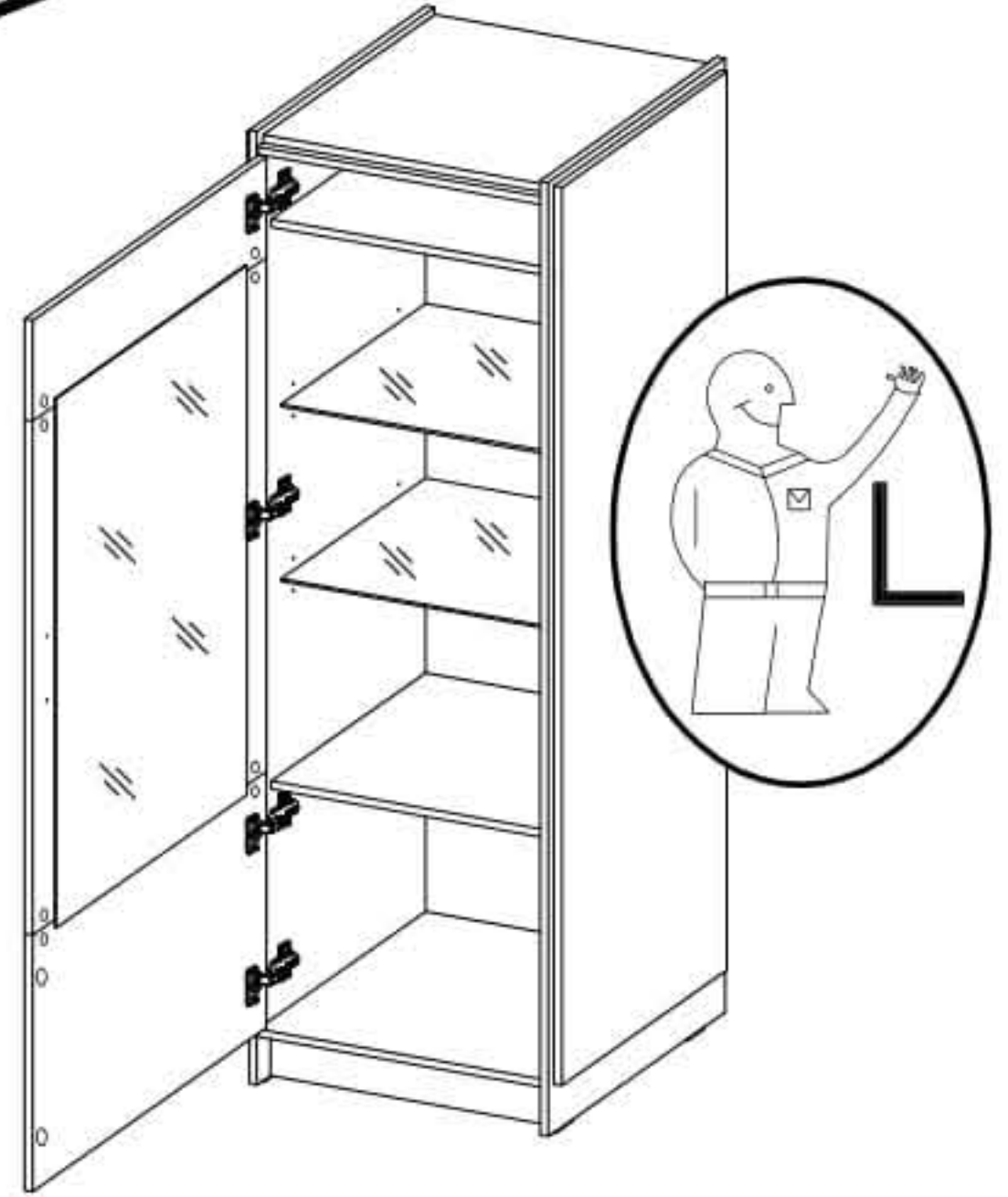
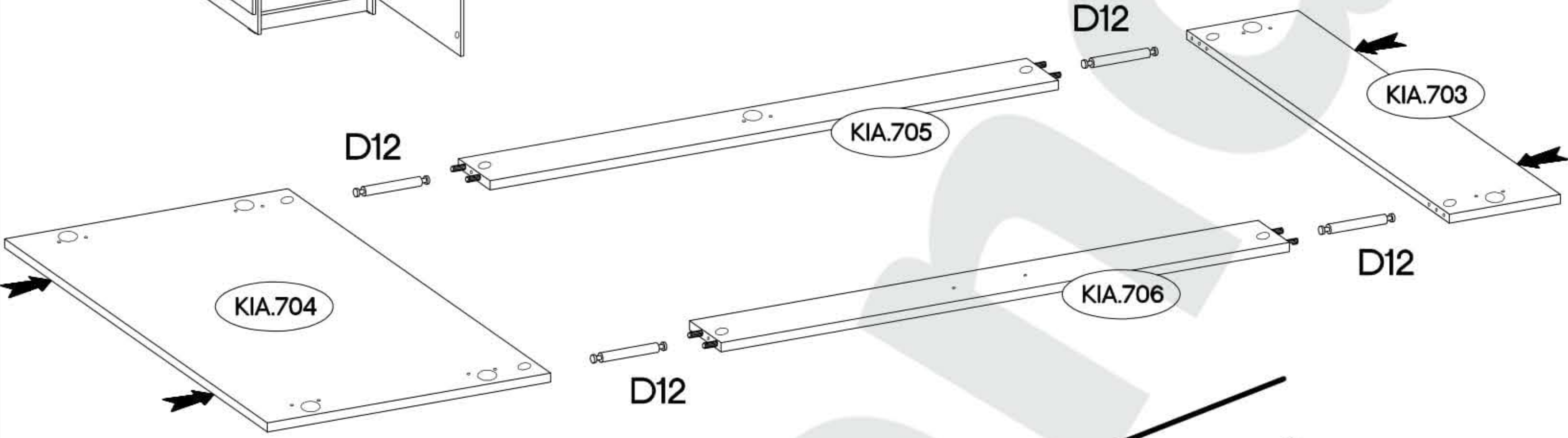
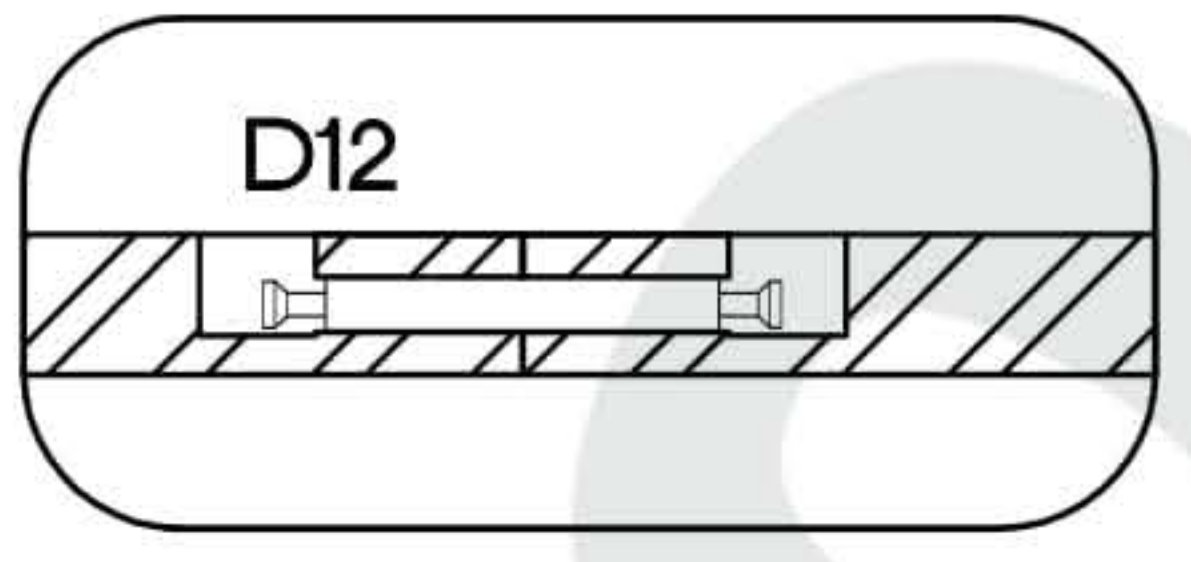
±15/12mm  C	±8x60mm  A2	 O1
8	8	1



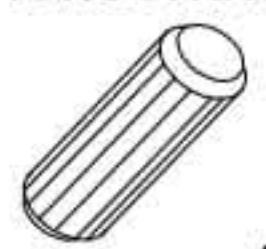

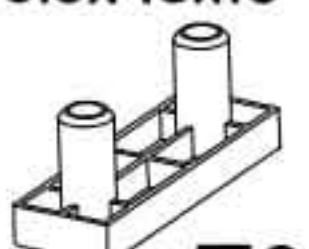



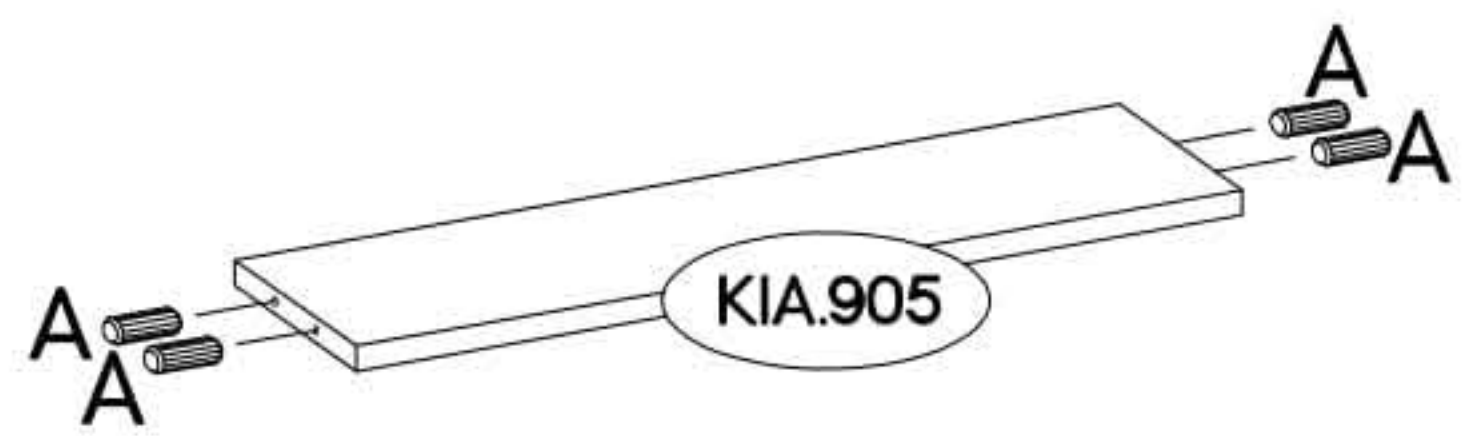
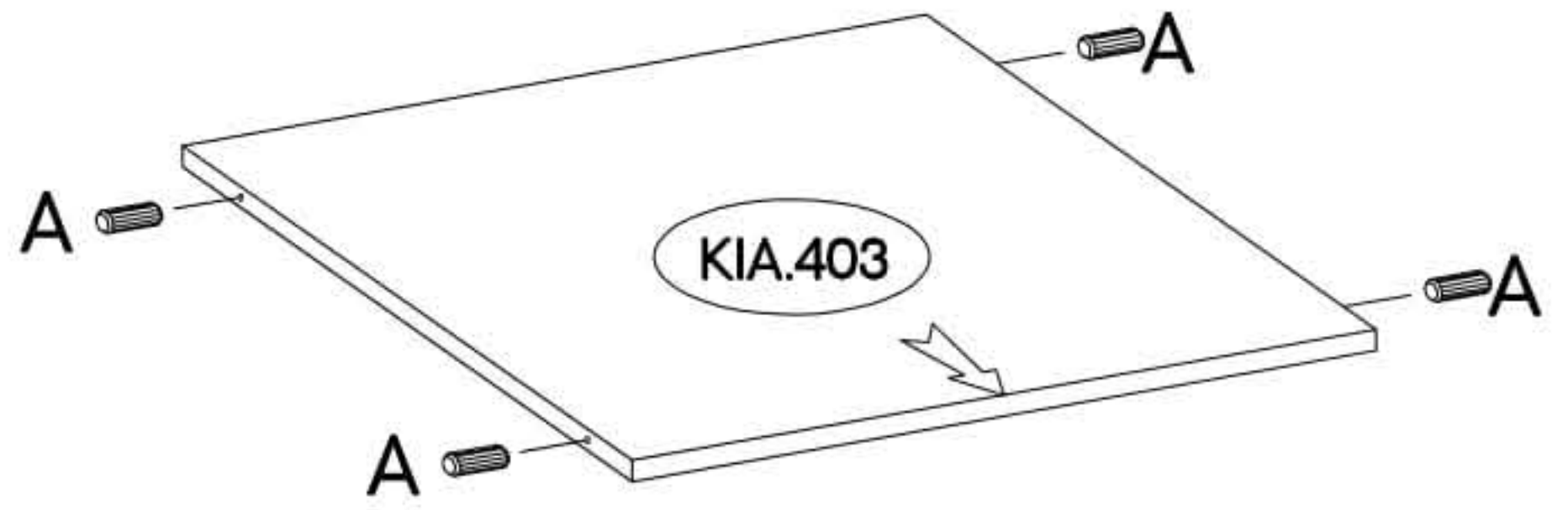
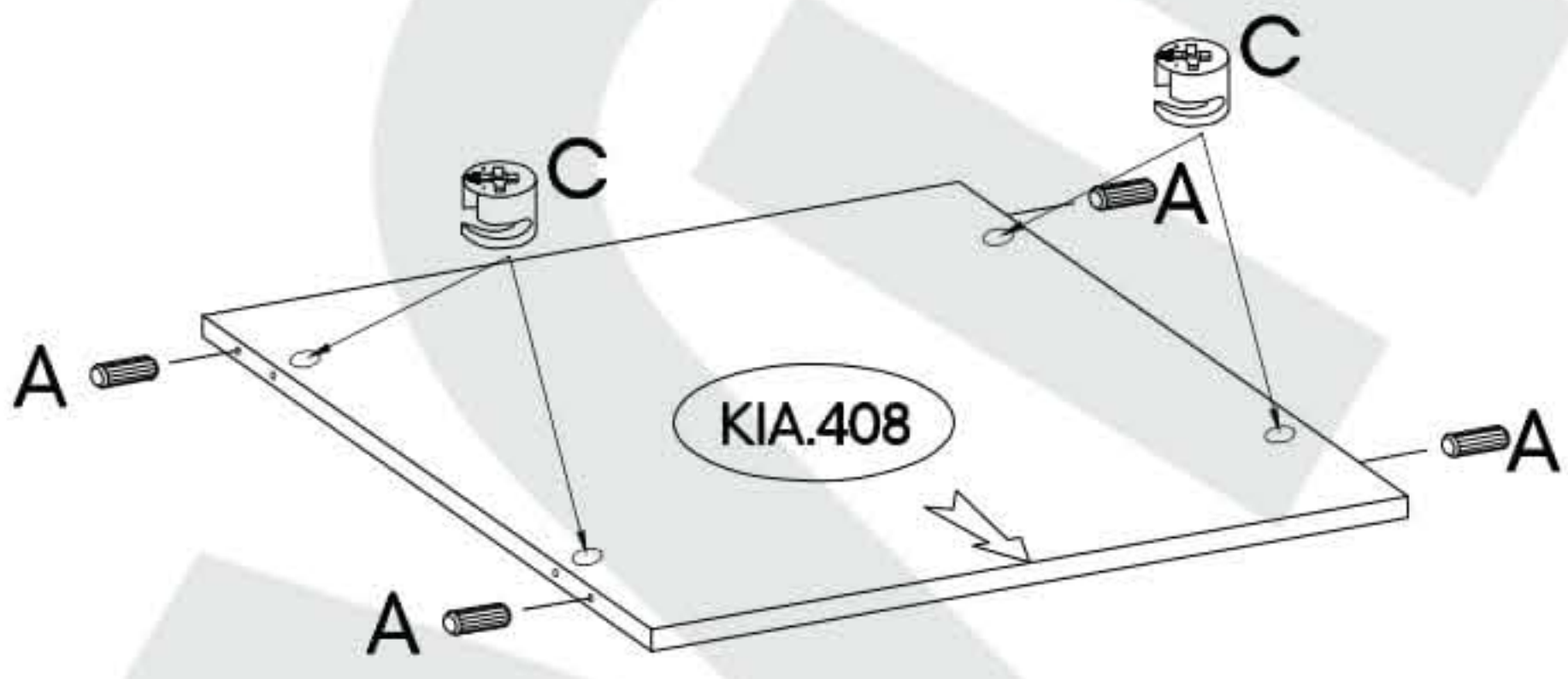
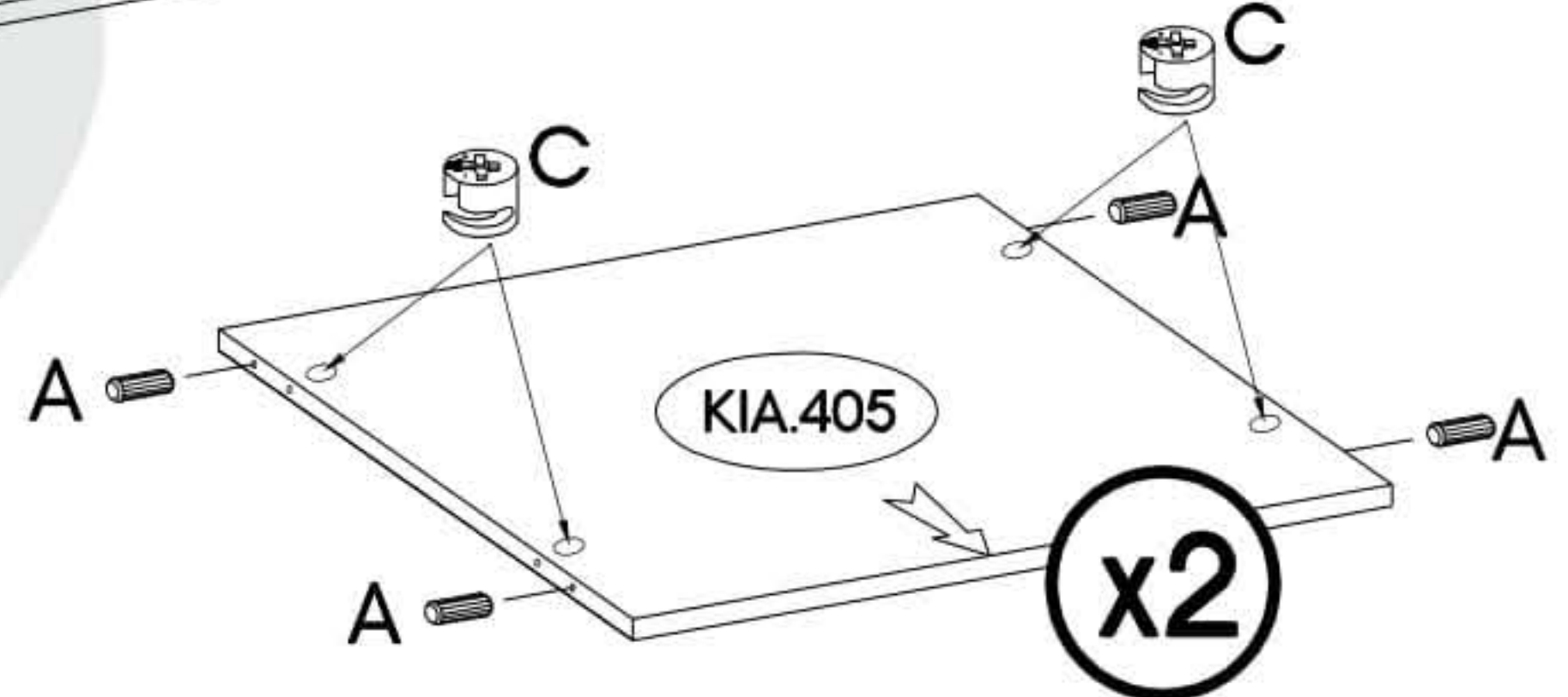
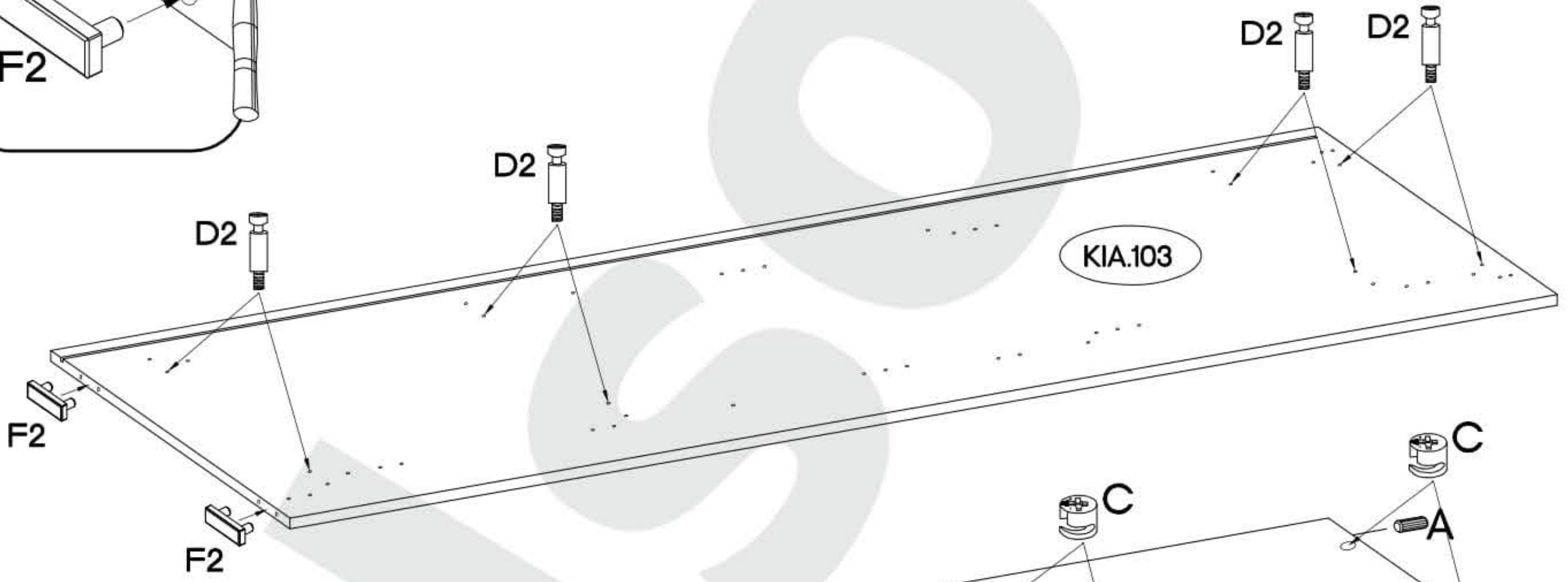
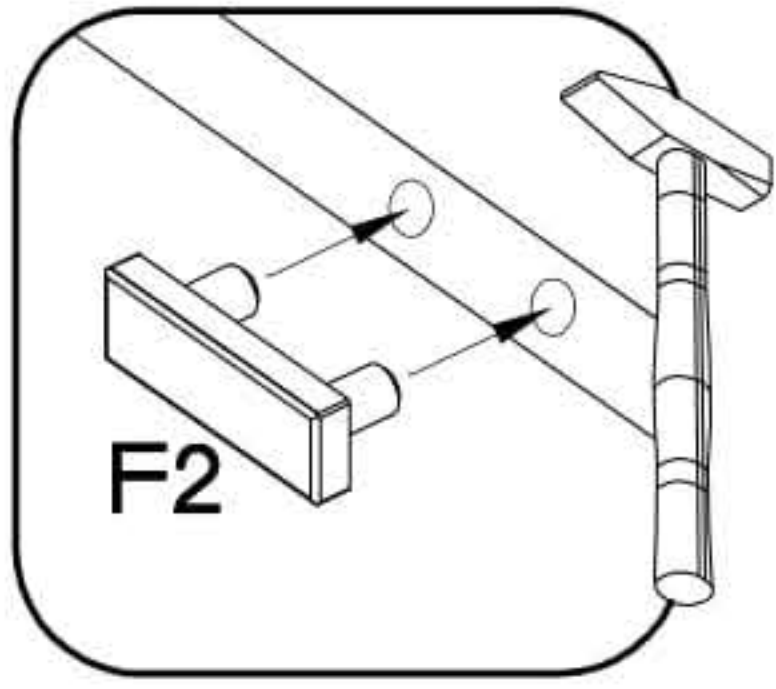
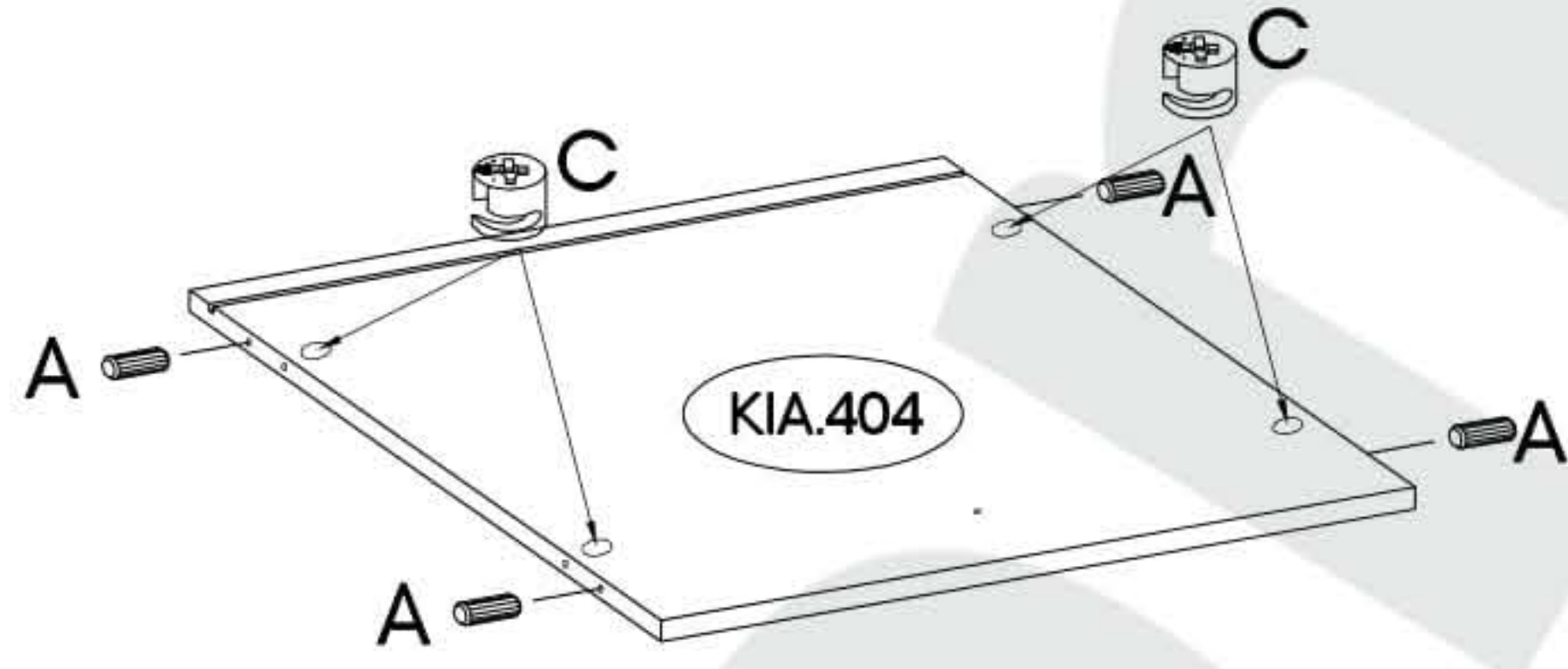
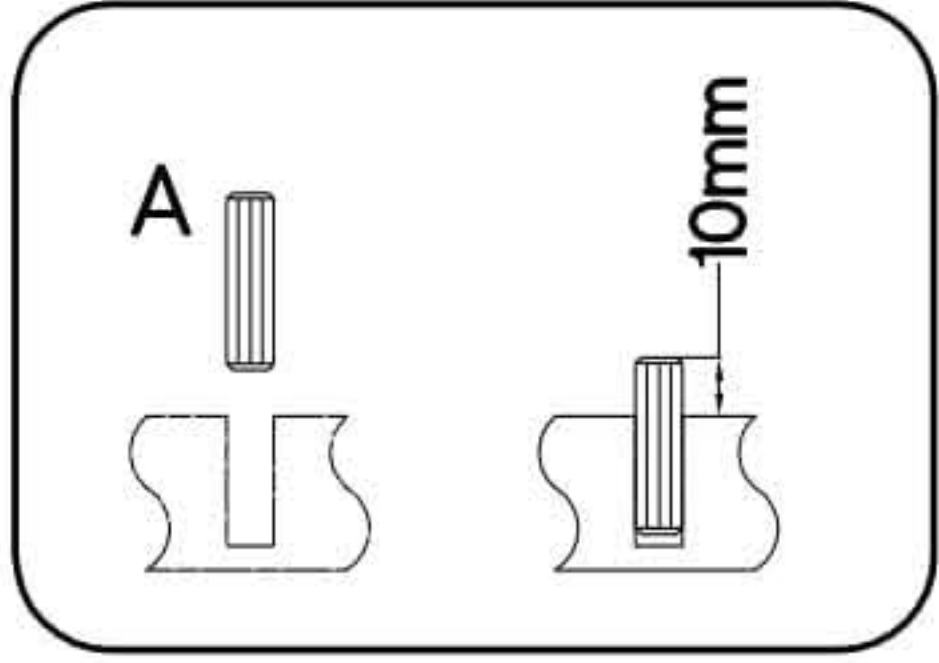
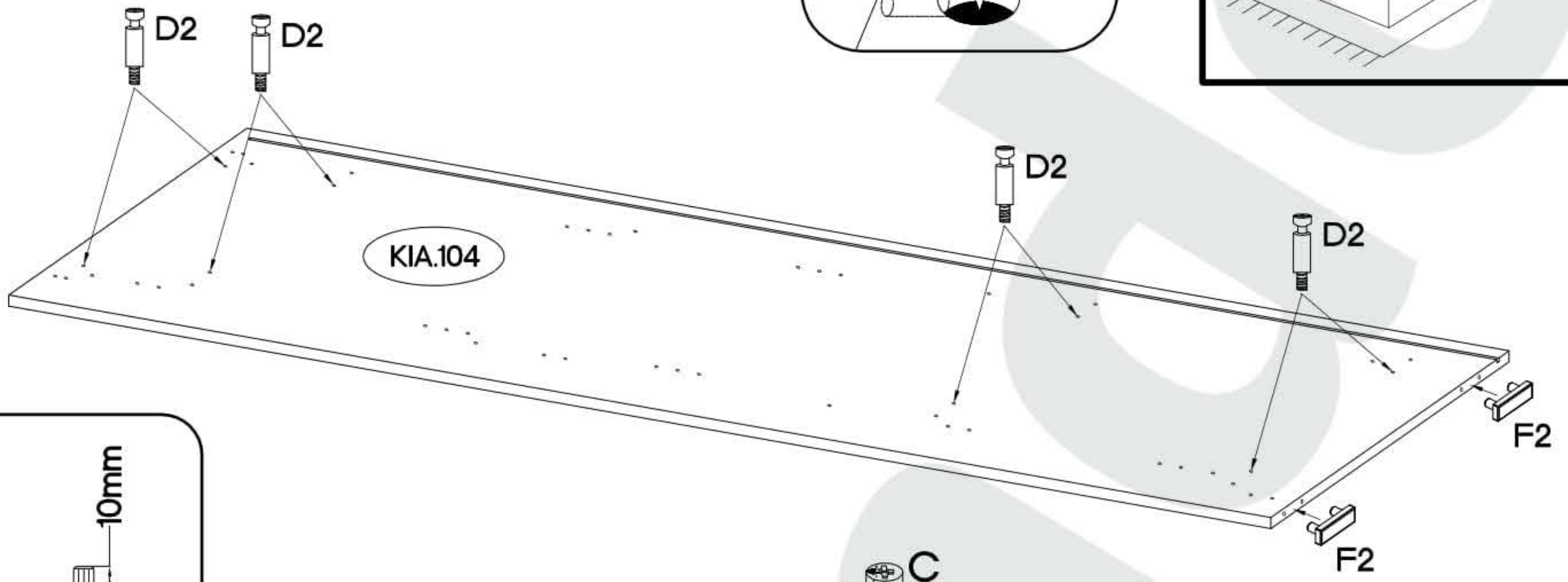
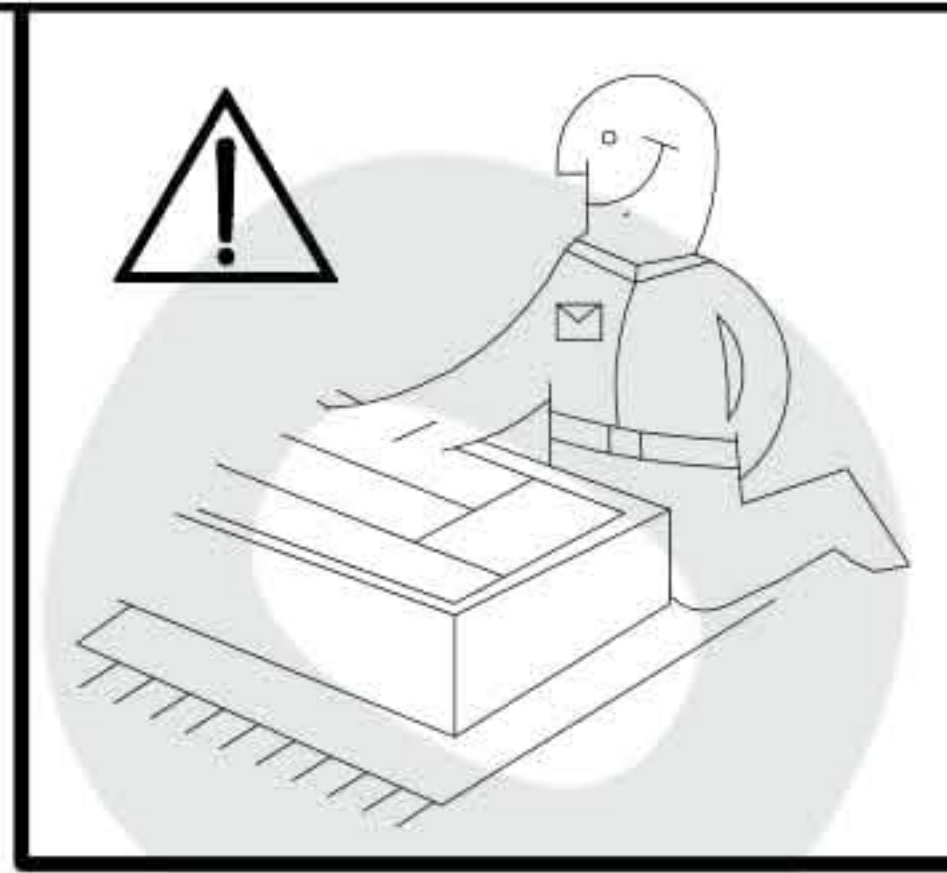
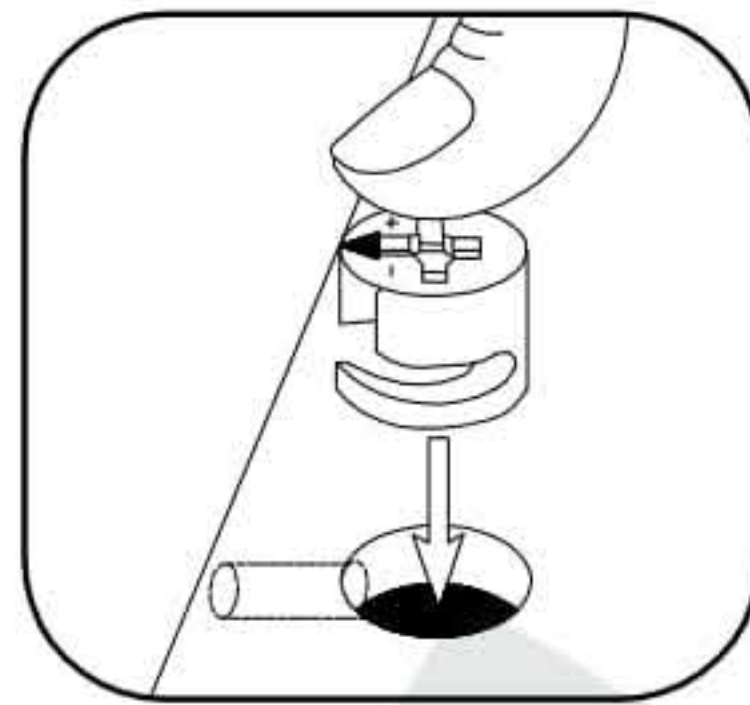
2

L=40mm  
D12  
4



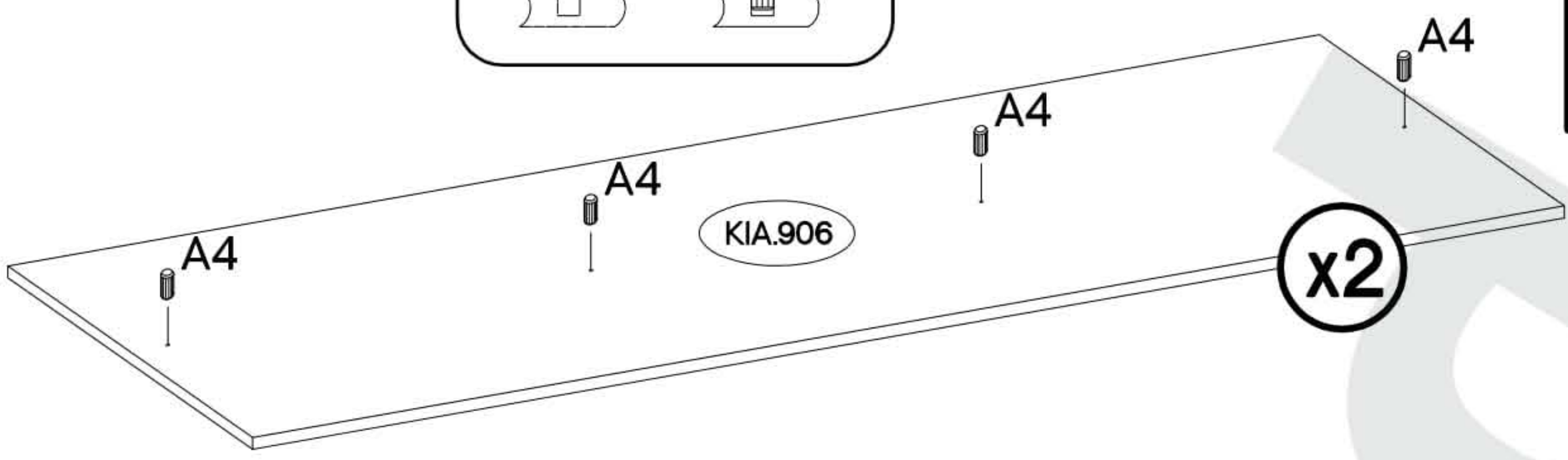
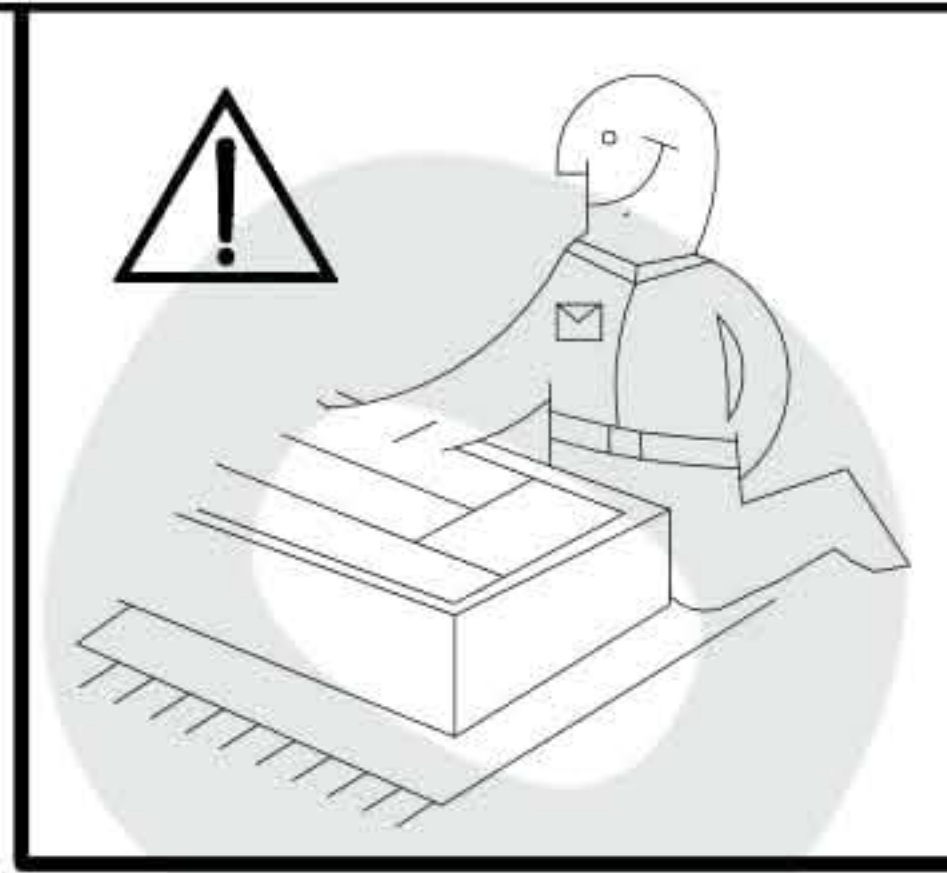
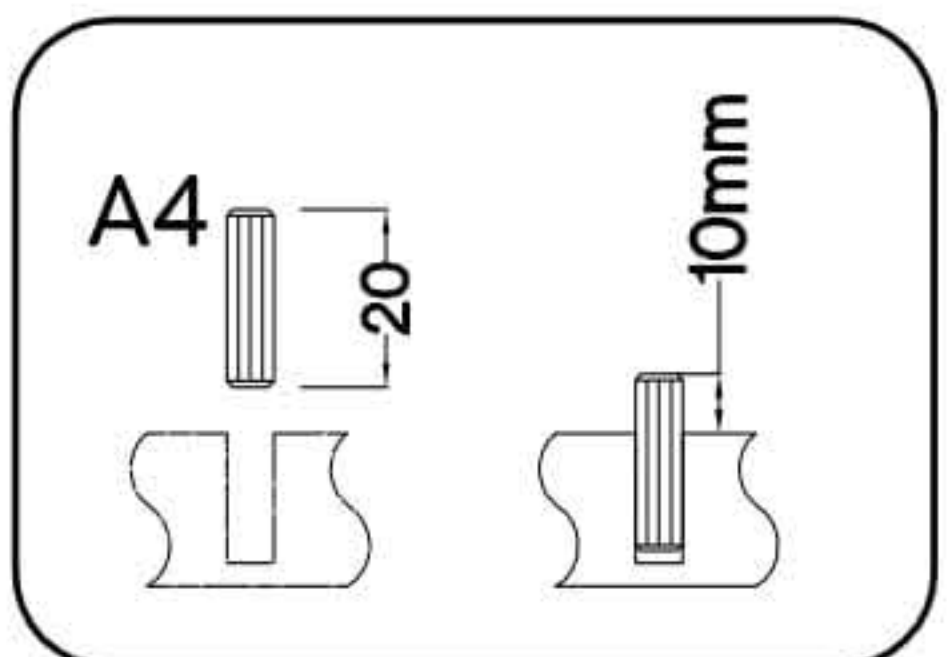
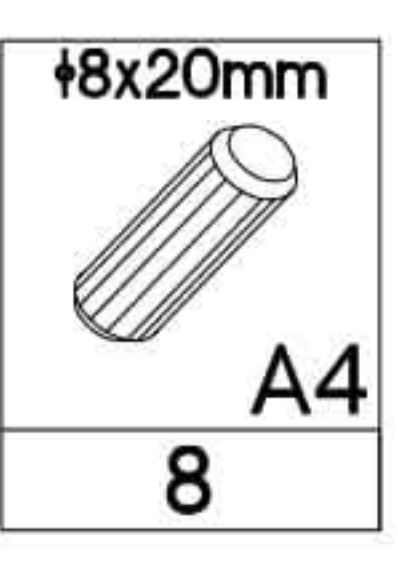


<p>†8x30mm</p>  <p>A</p> <p>24</p>	<p>L=20mm</p>  <p>D2</p> <p>16</p>	<p>6.5x48x16</p>  <p>F2</p> <p>4</p>	<p>†15/12mm</p>  <p>C</p> <p>16</p>
--	--	--	---

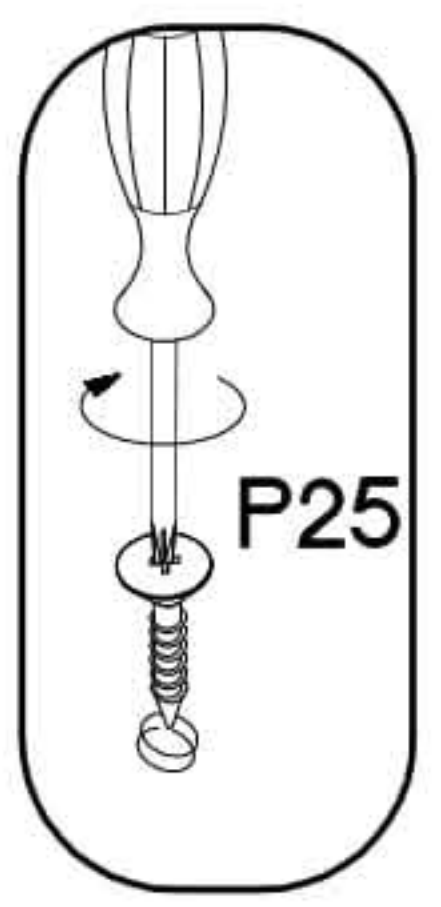
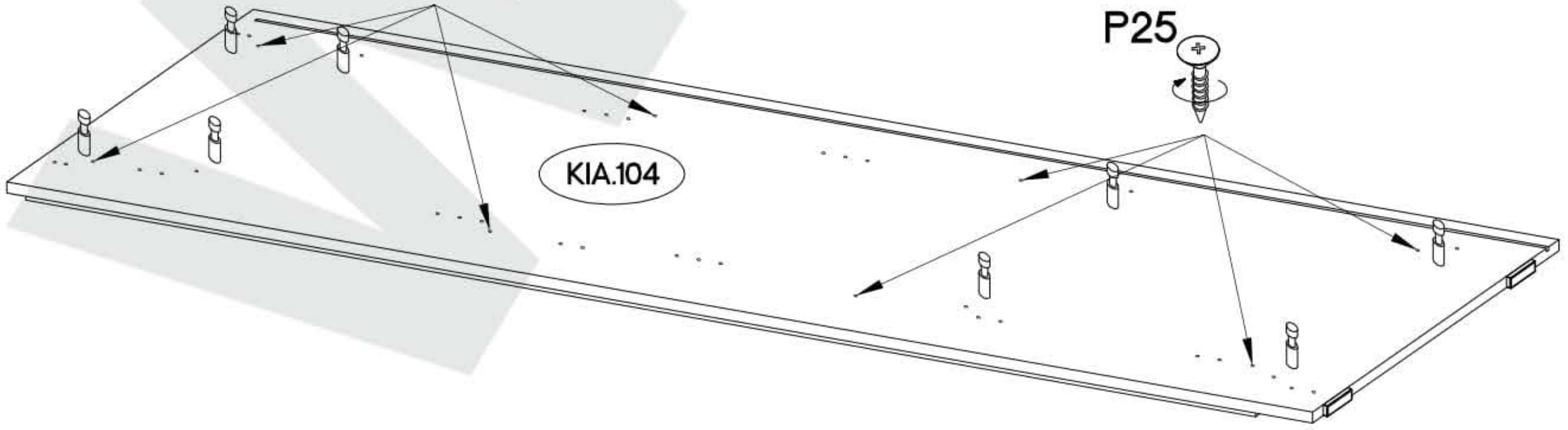
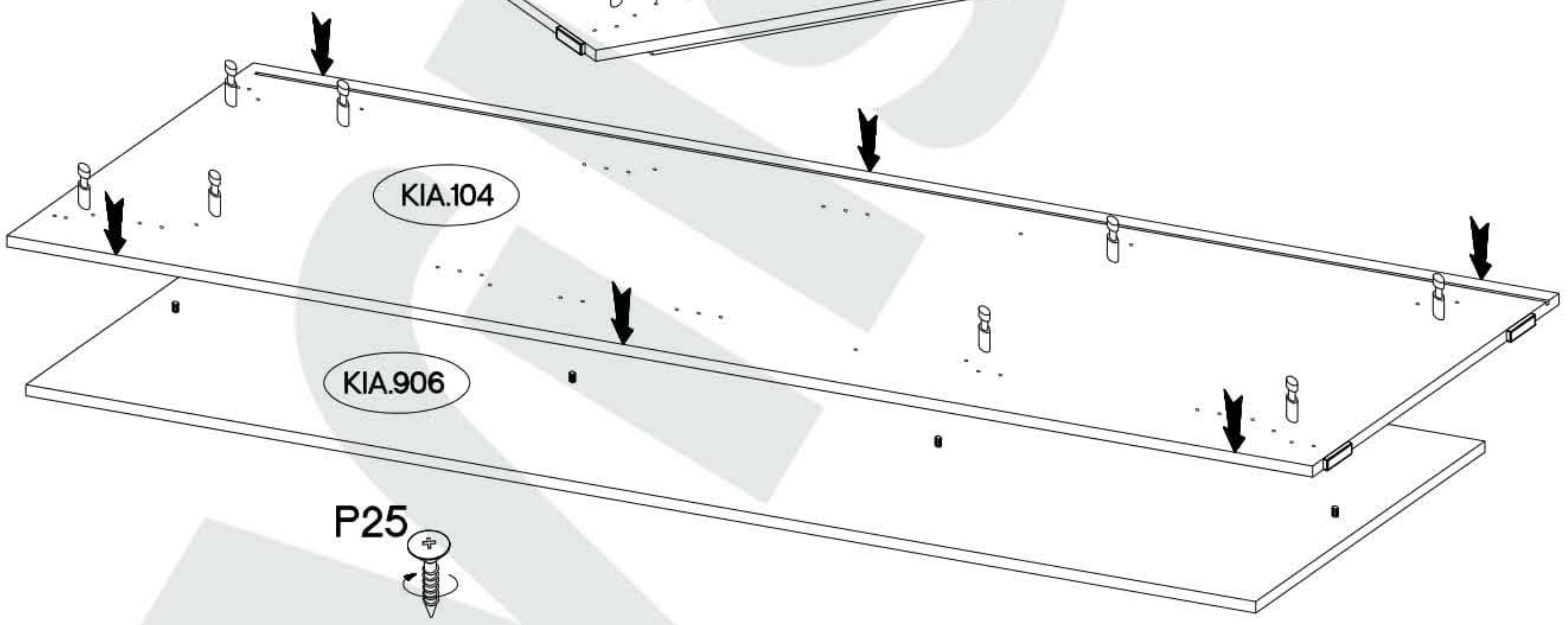
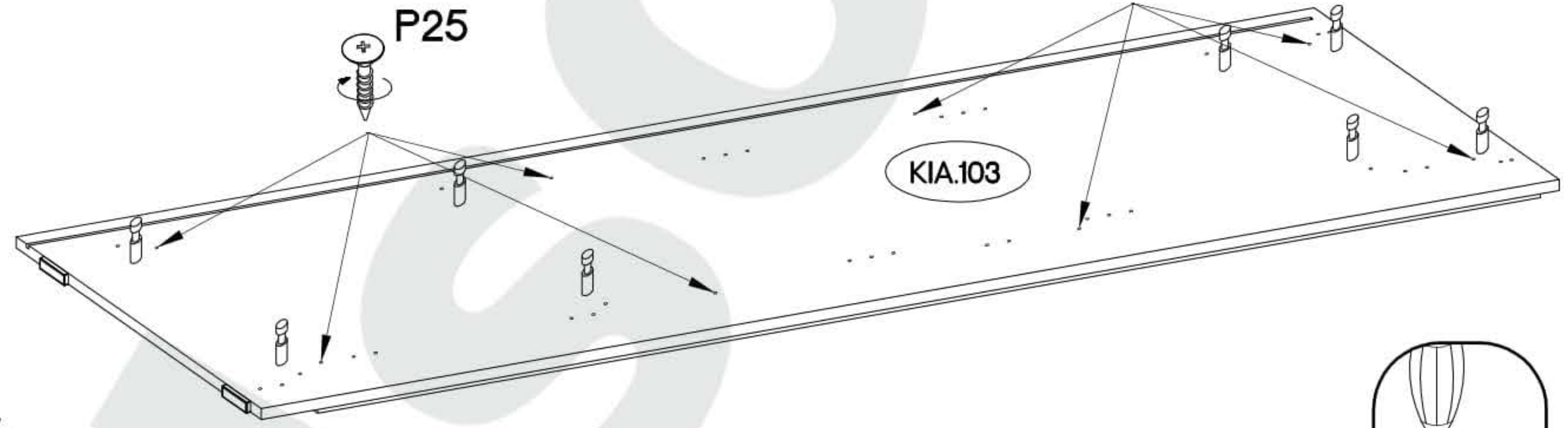
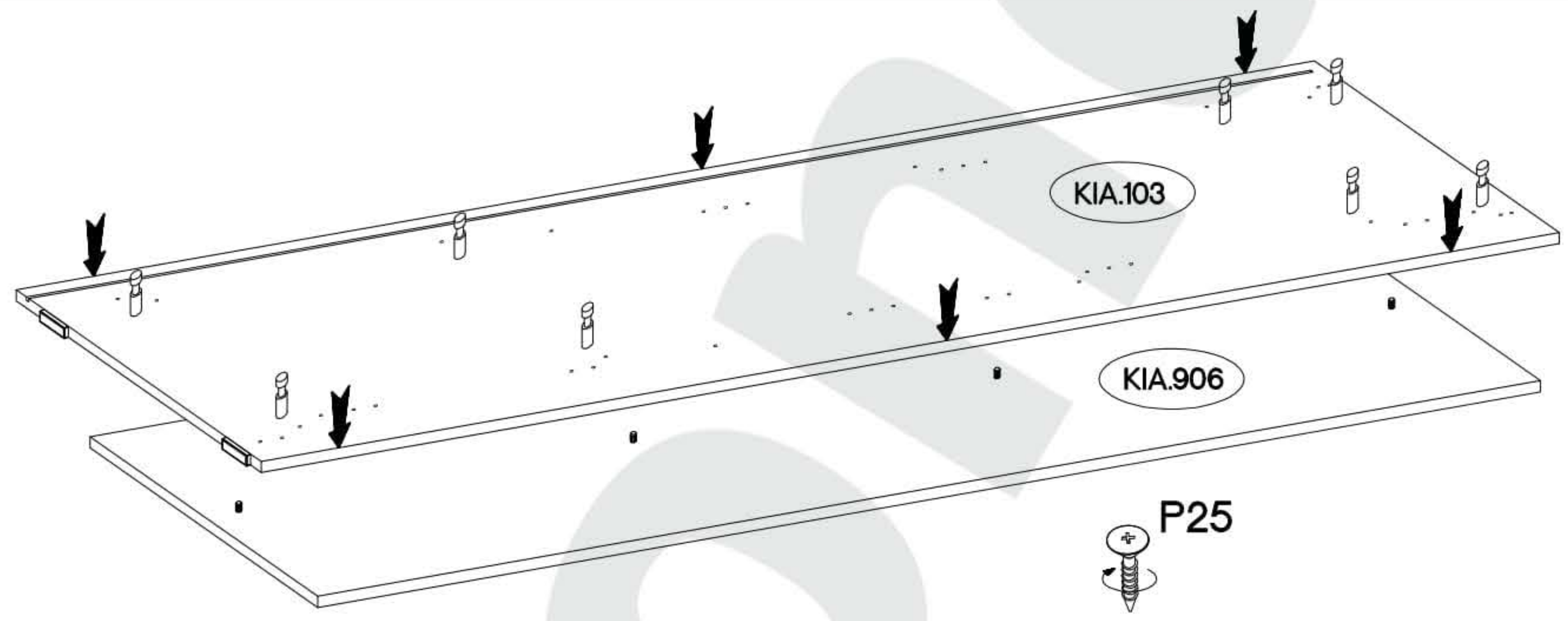
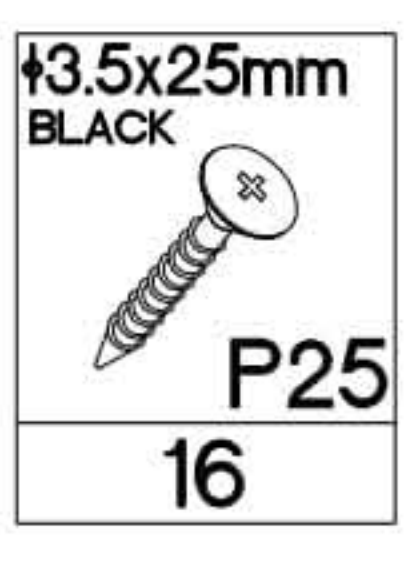




4

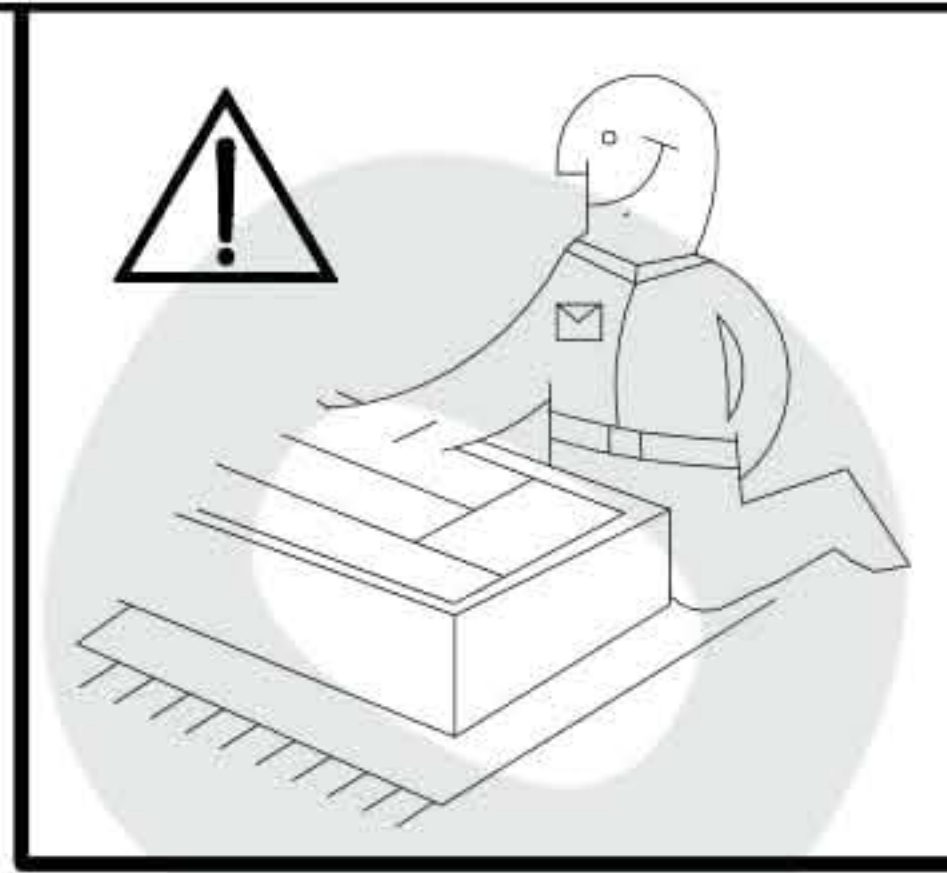
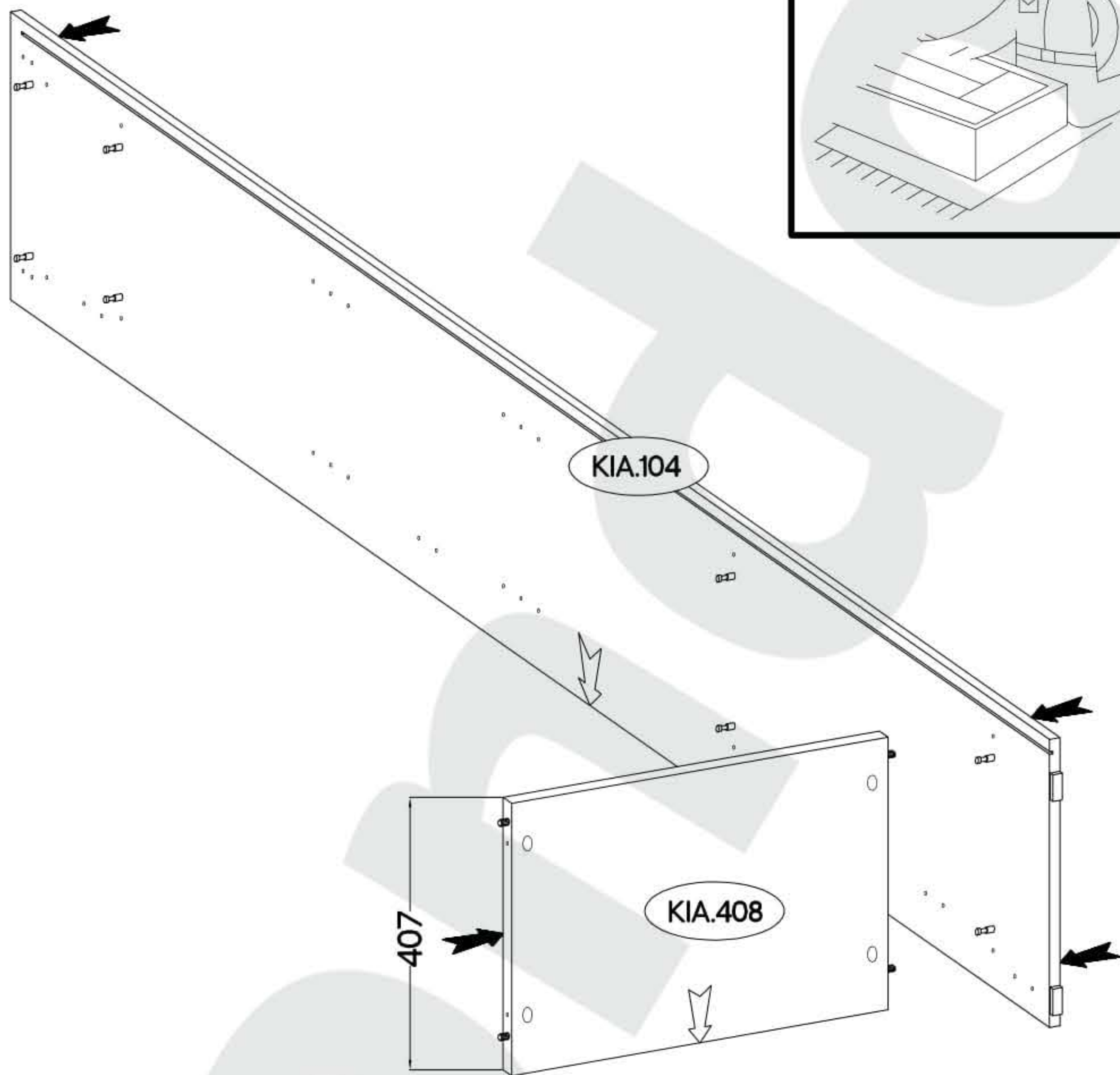
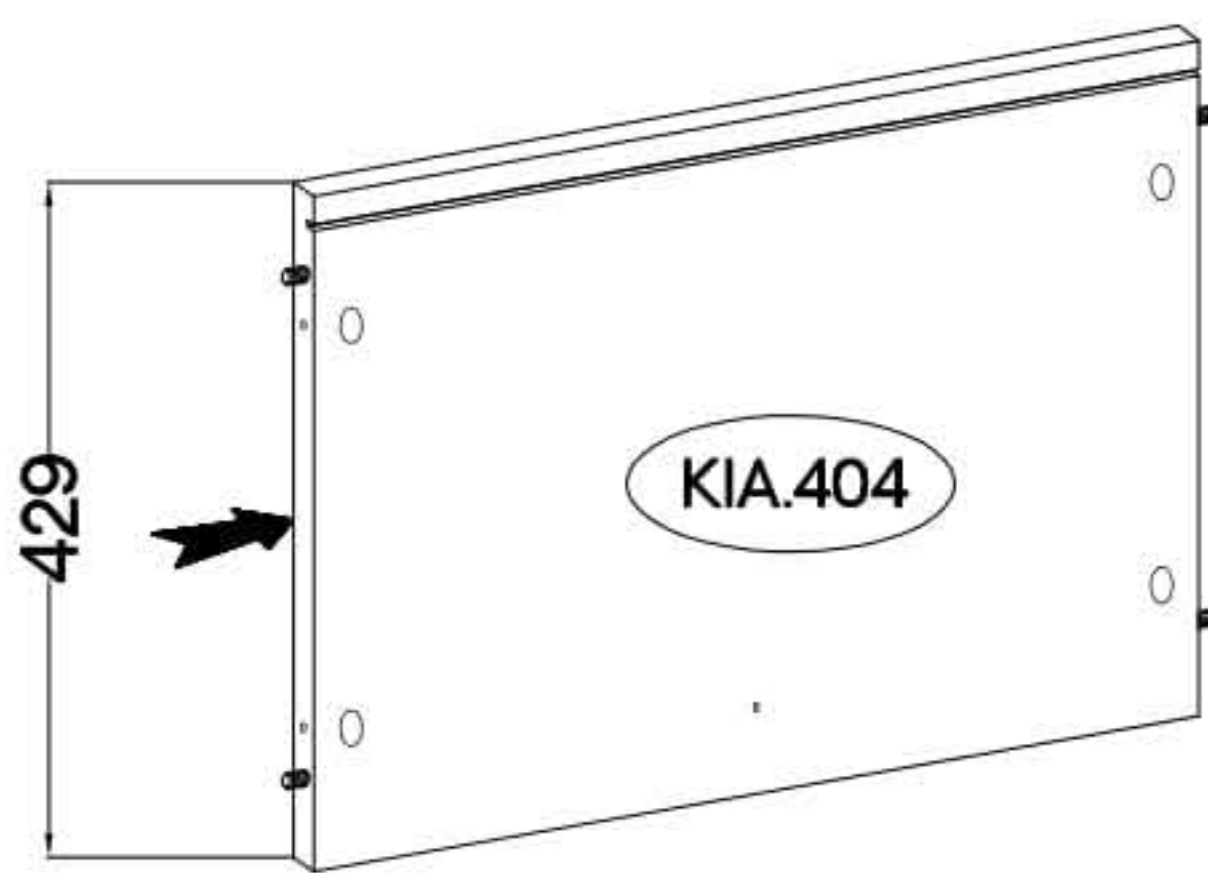


5

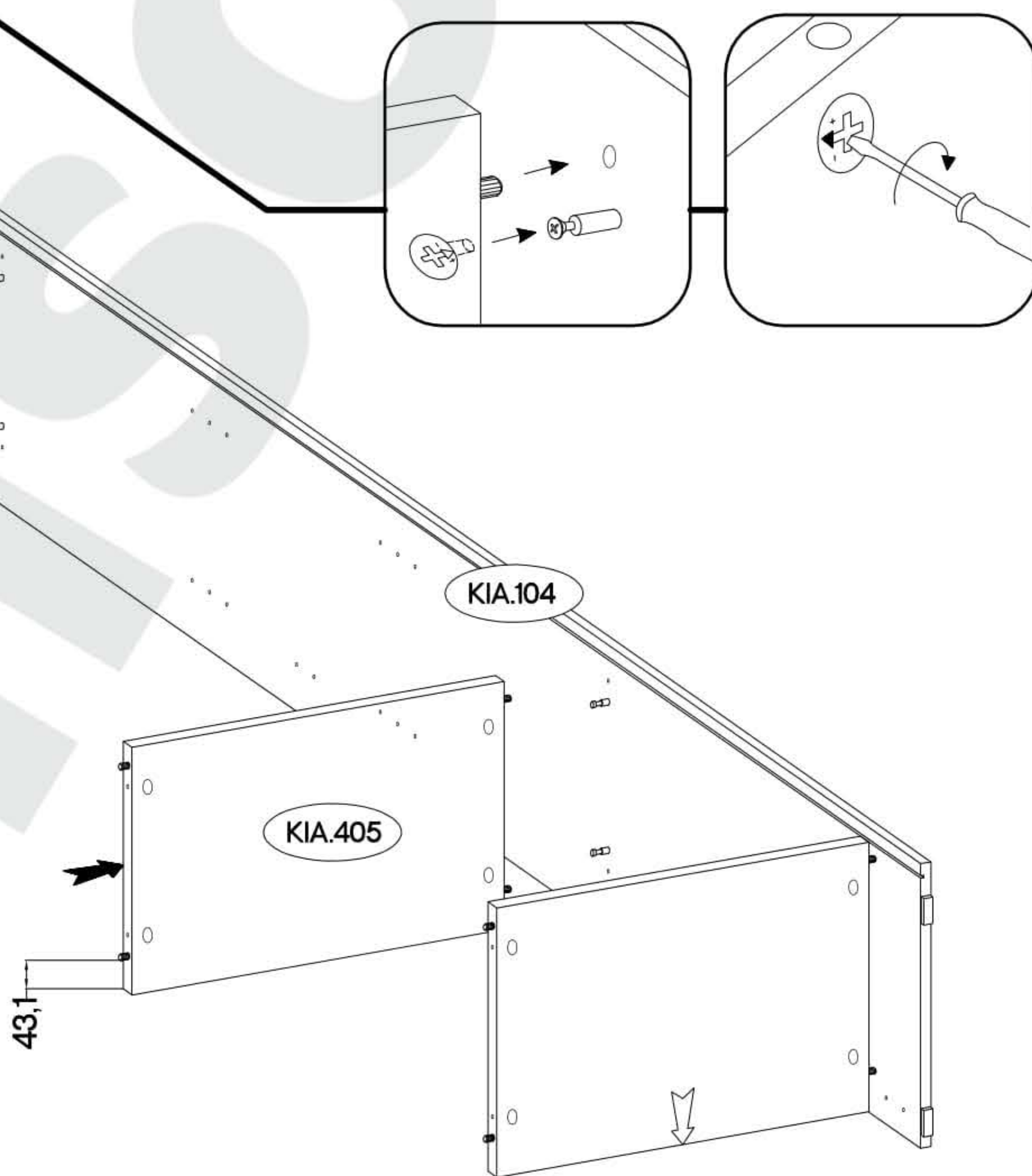
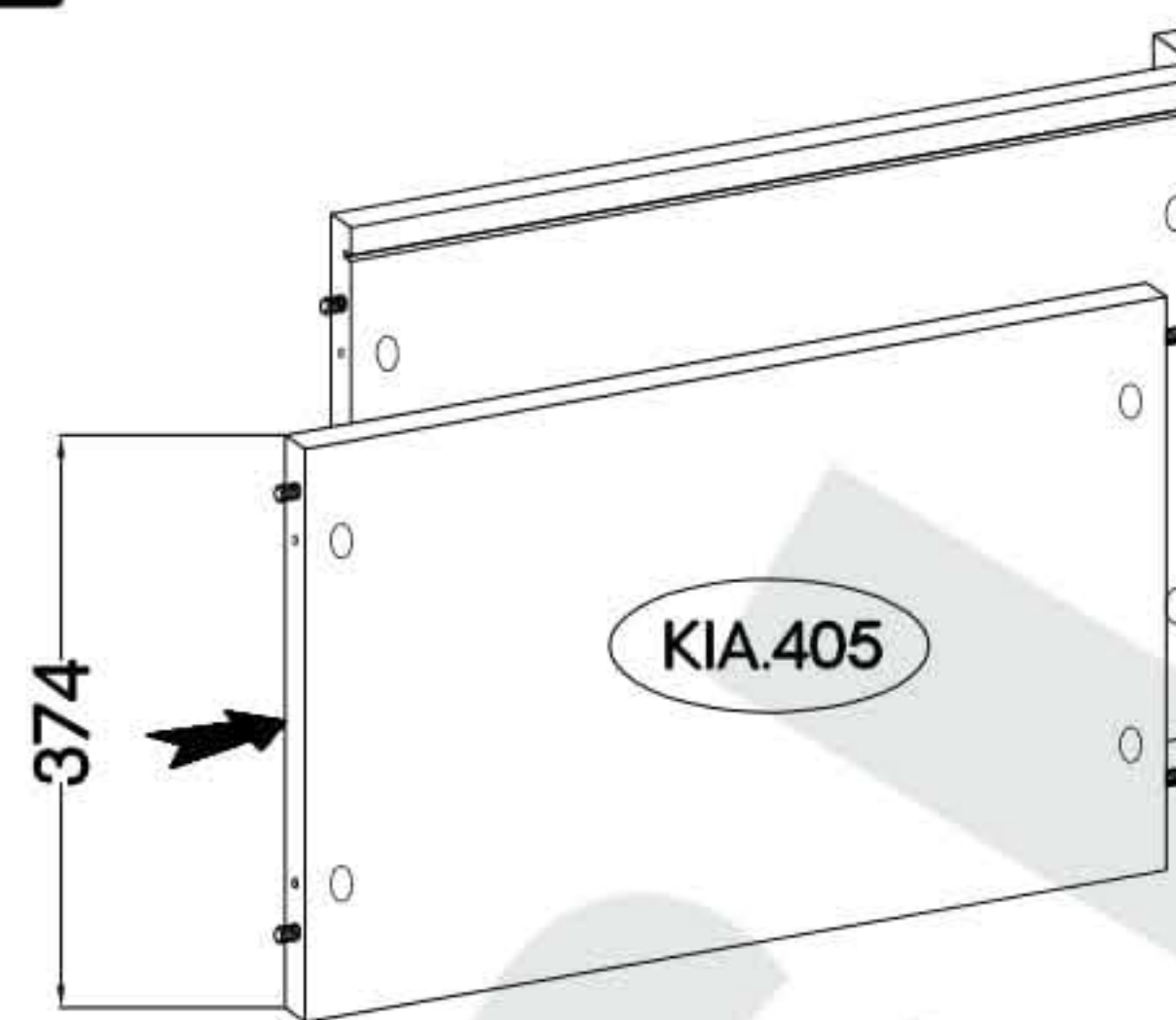




6

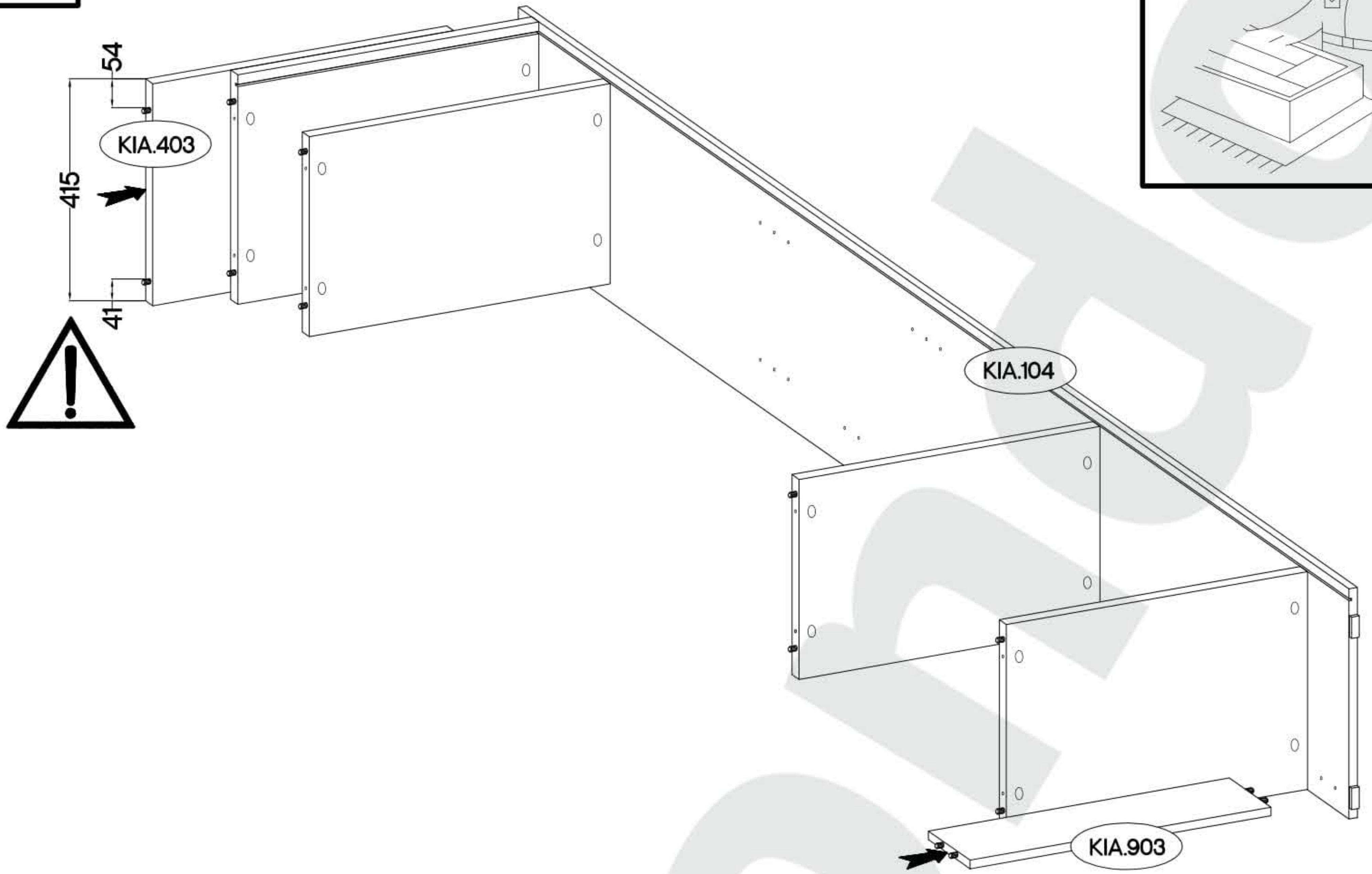


7

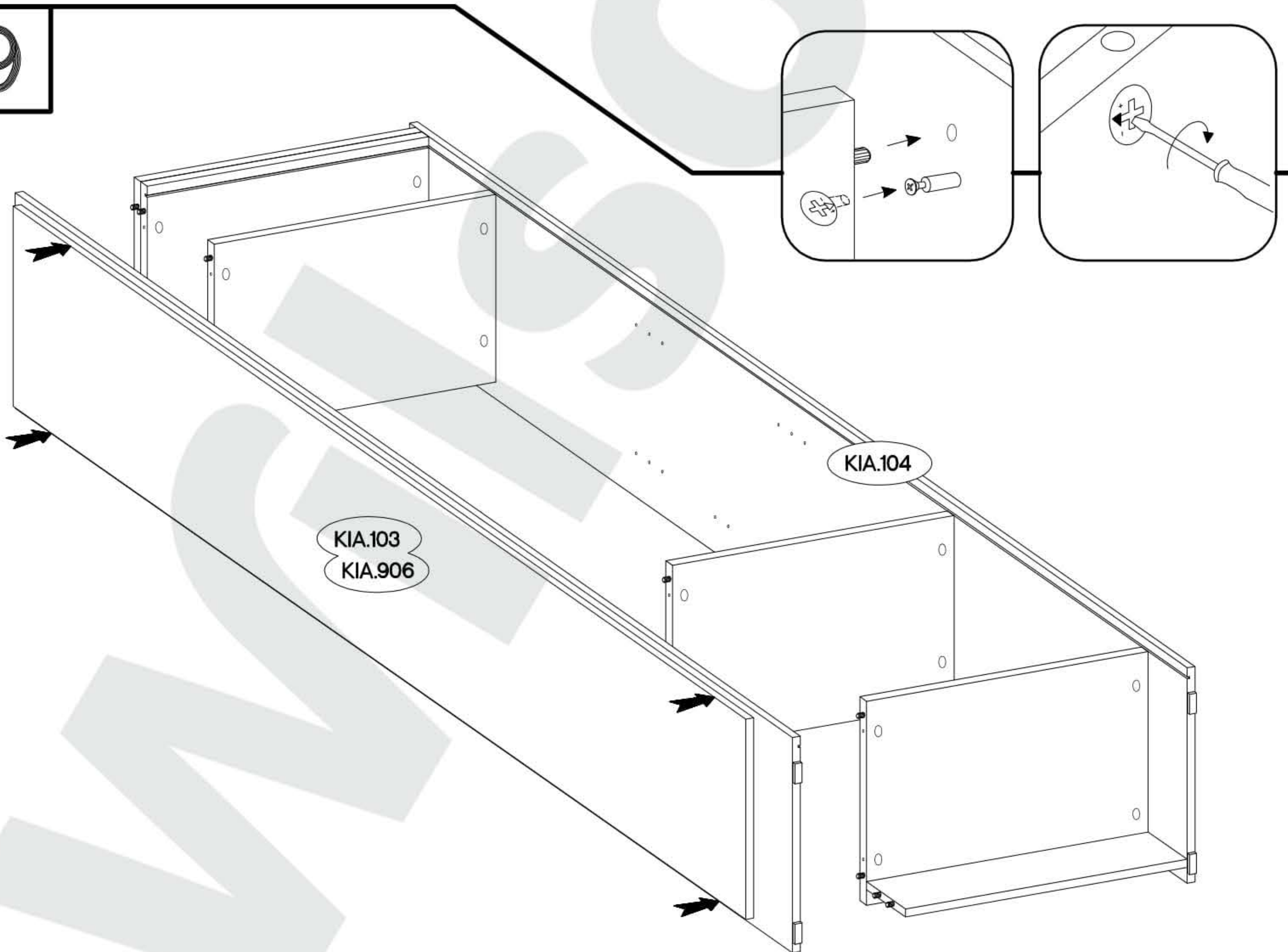





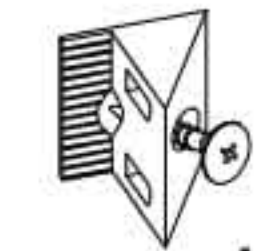
8

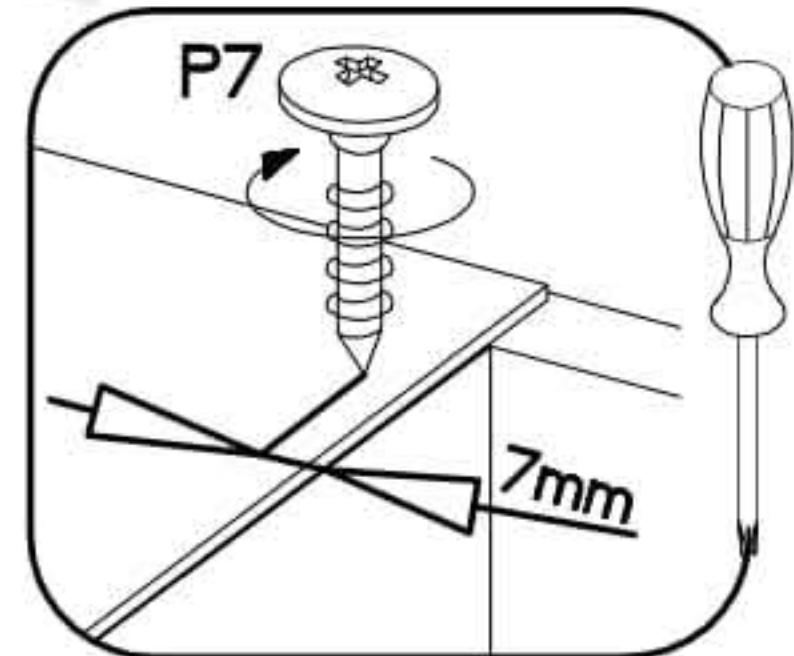
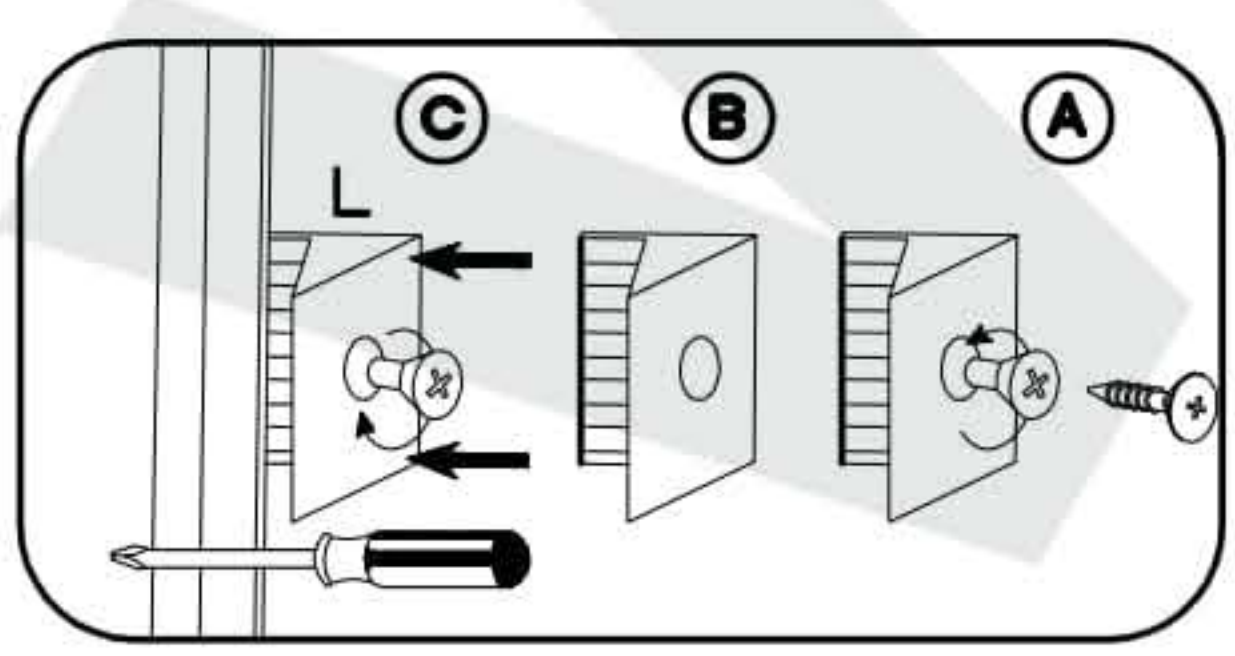
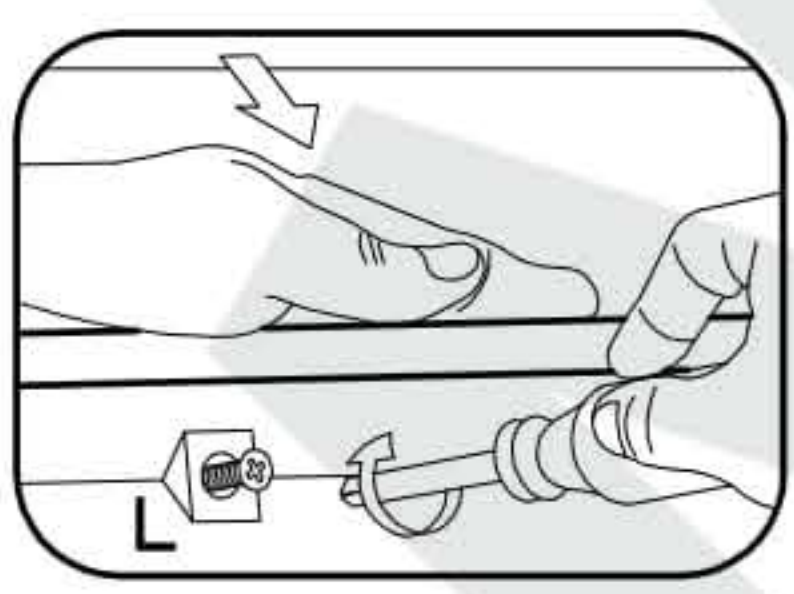
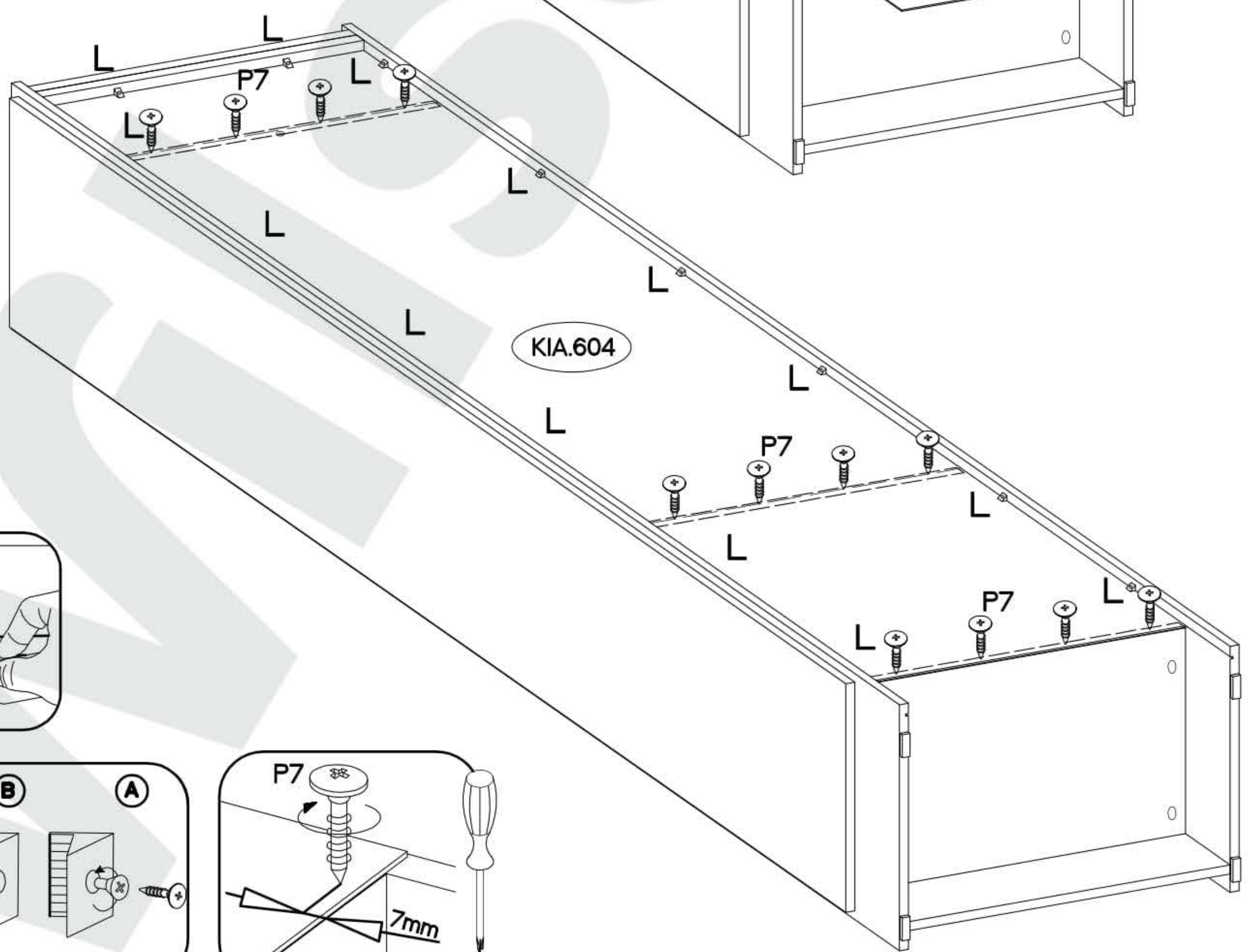
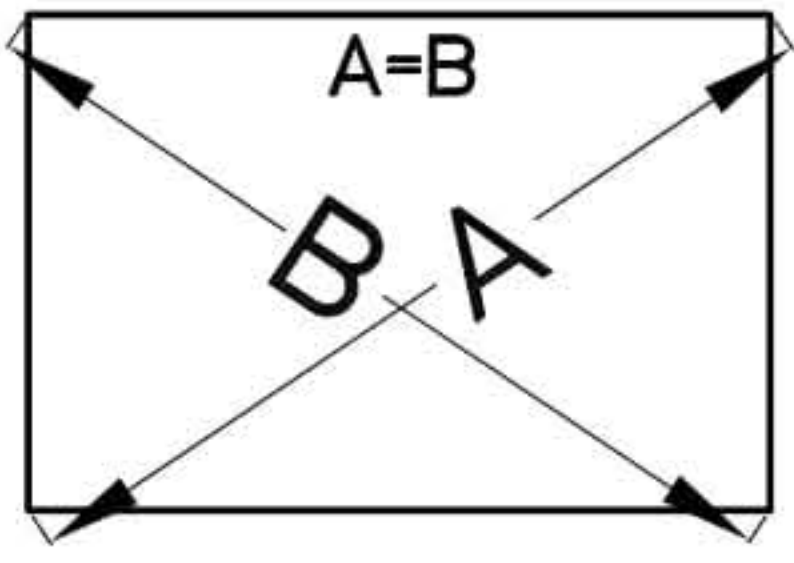
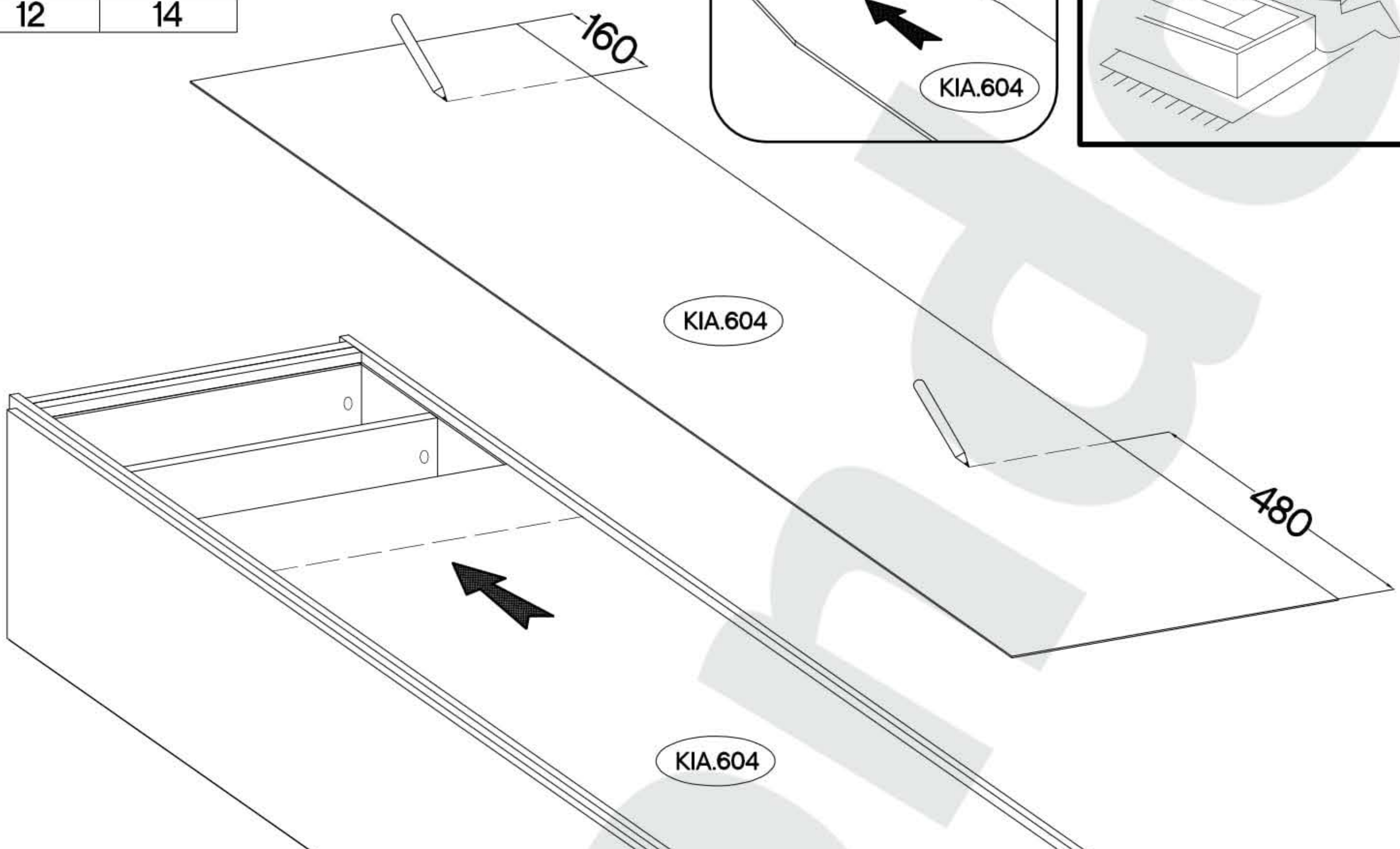
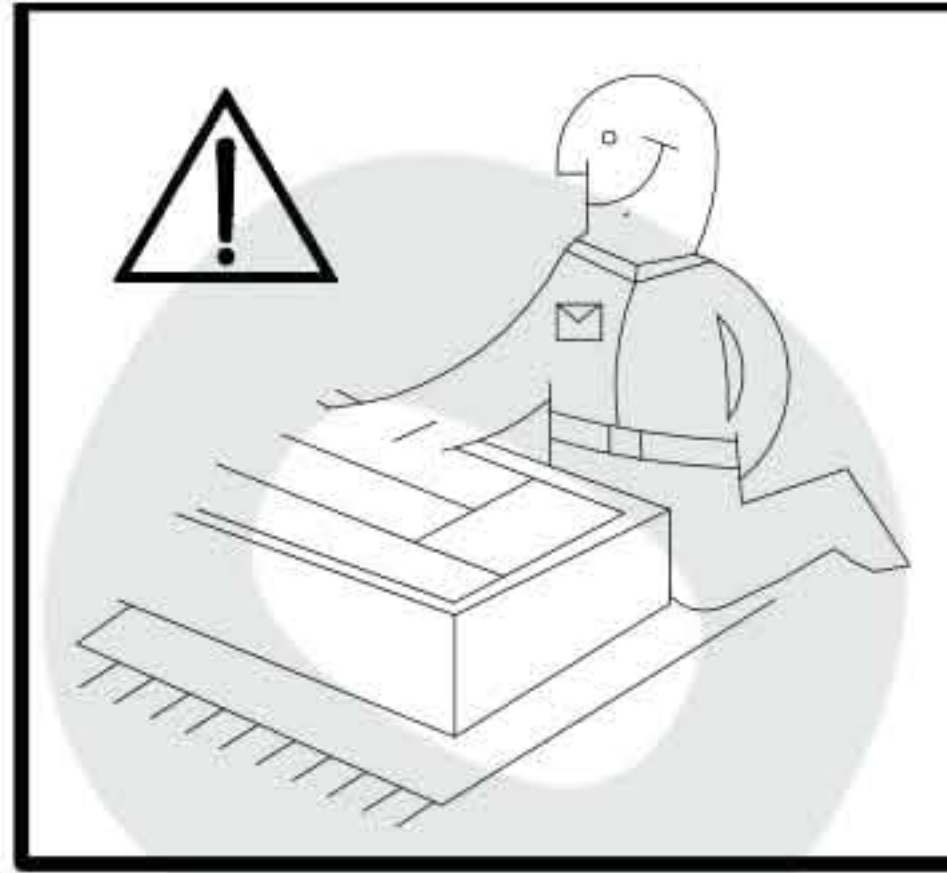
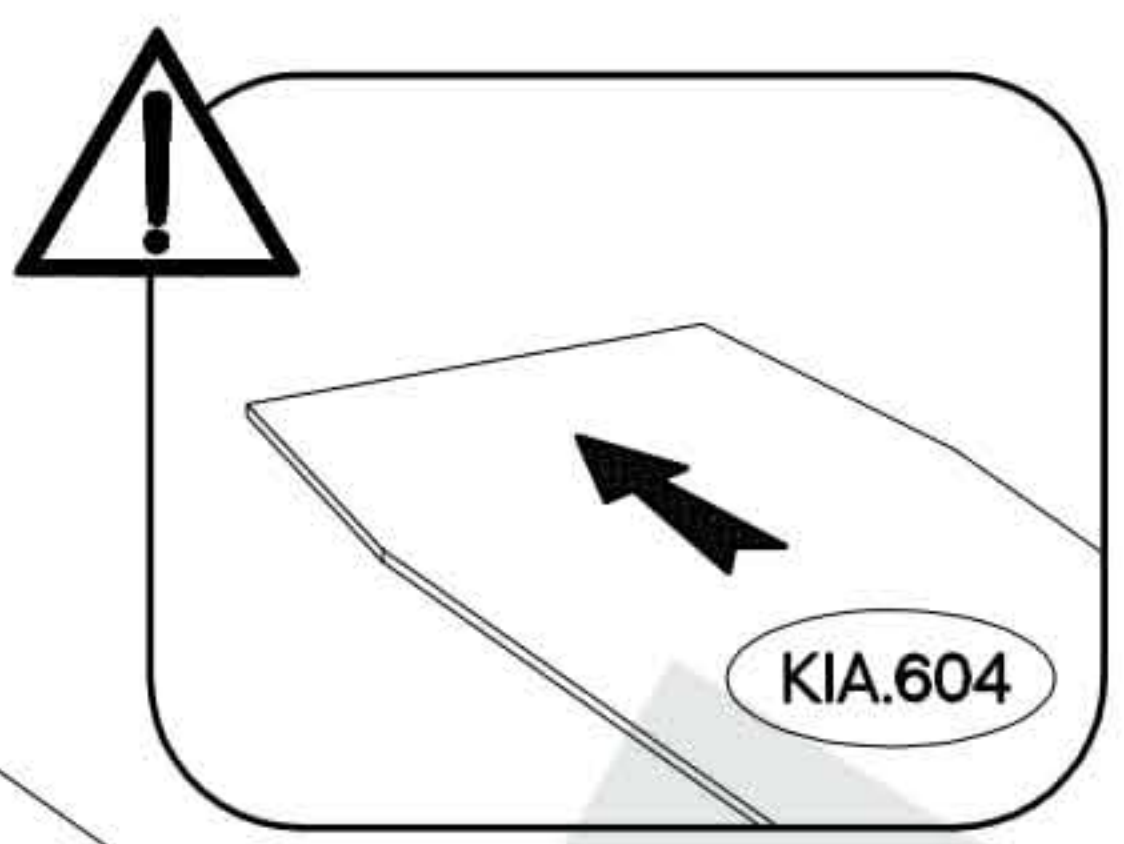


9







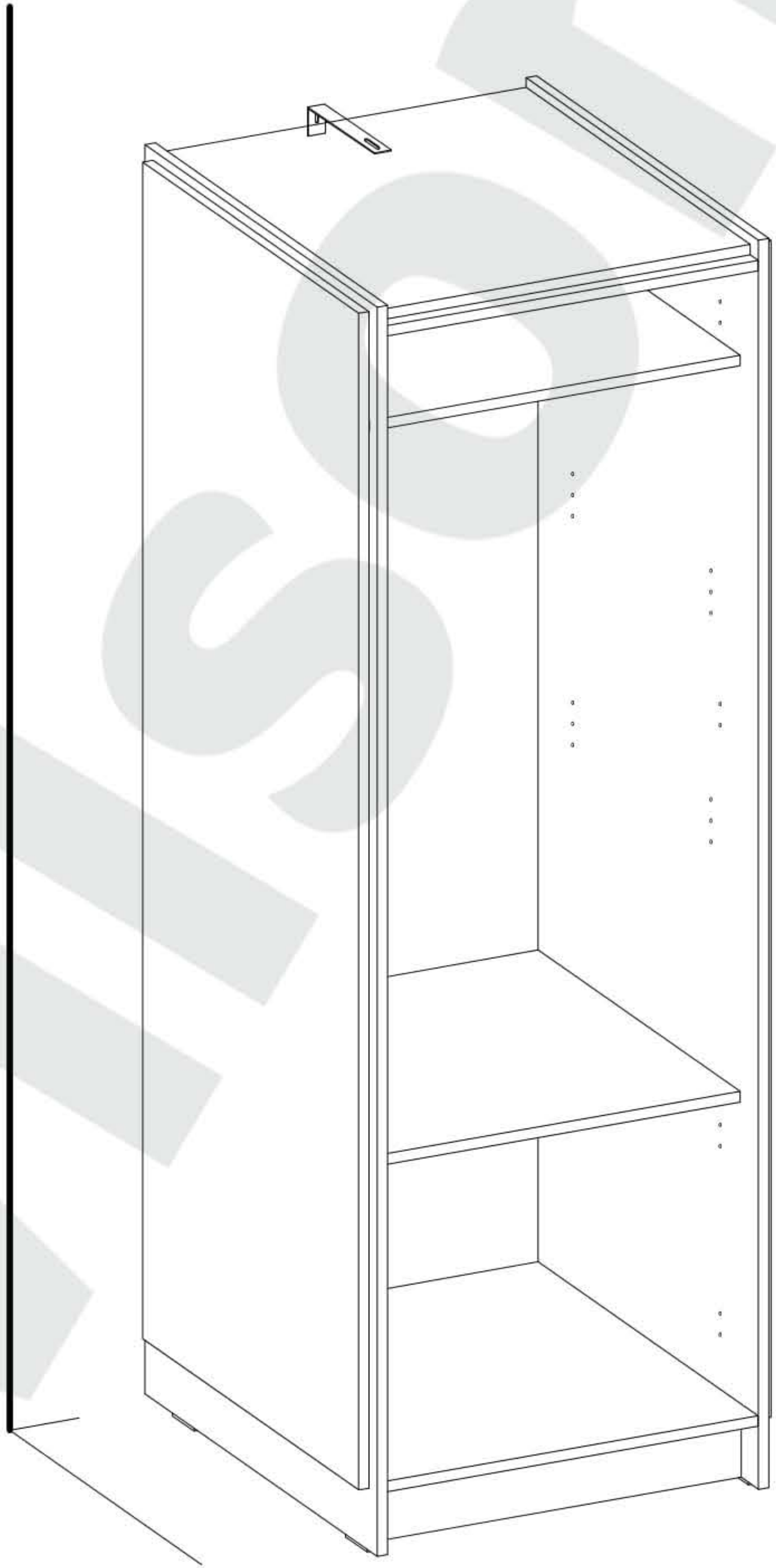
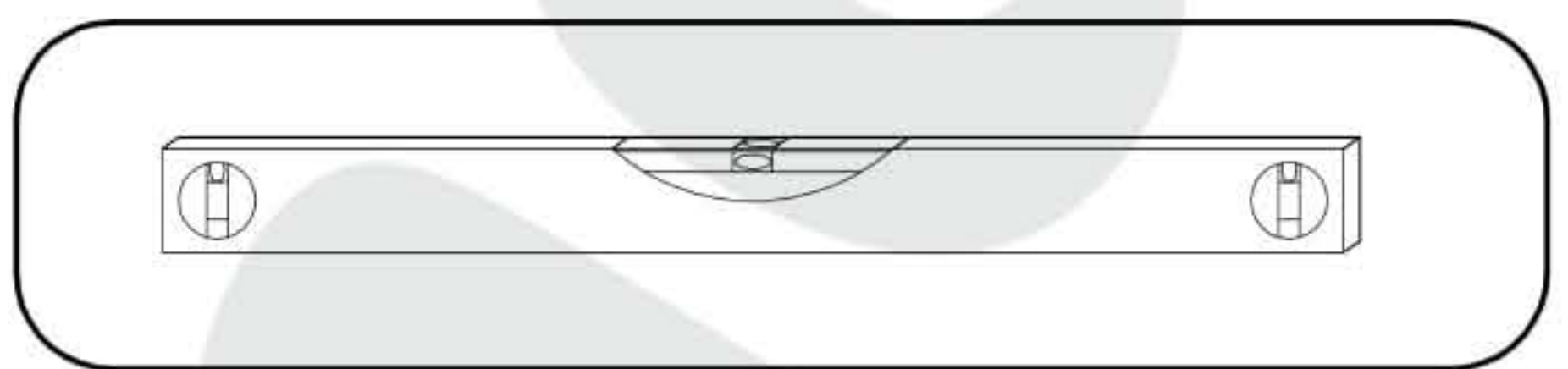
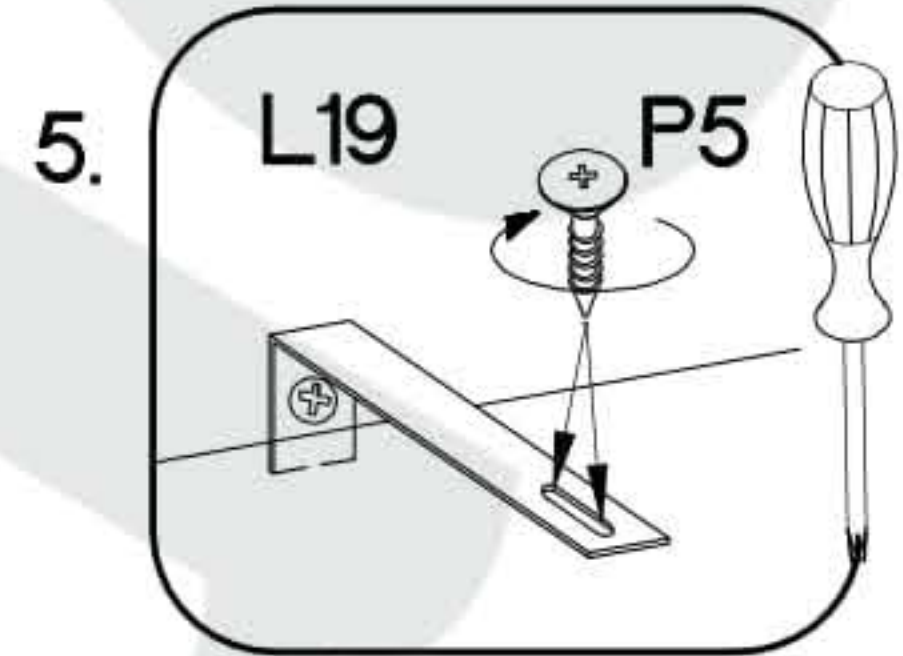
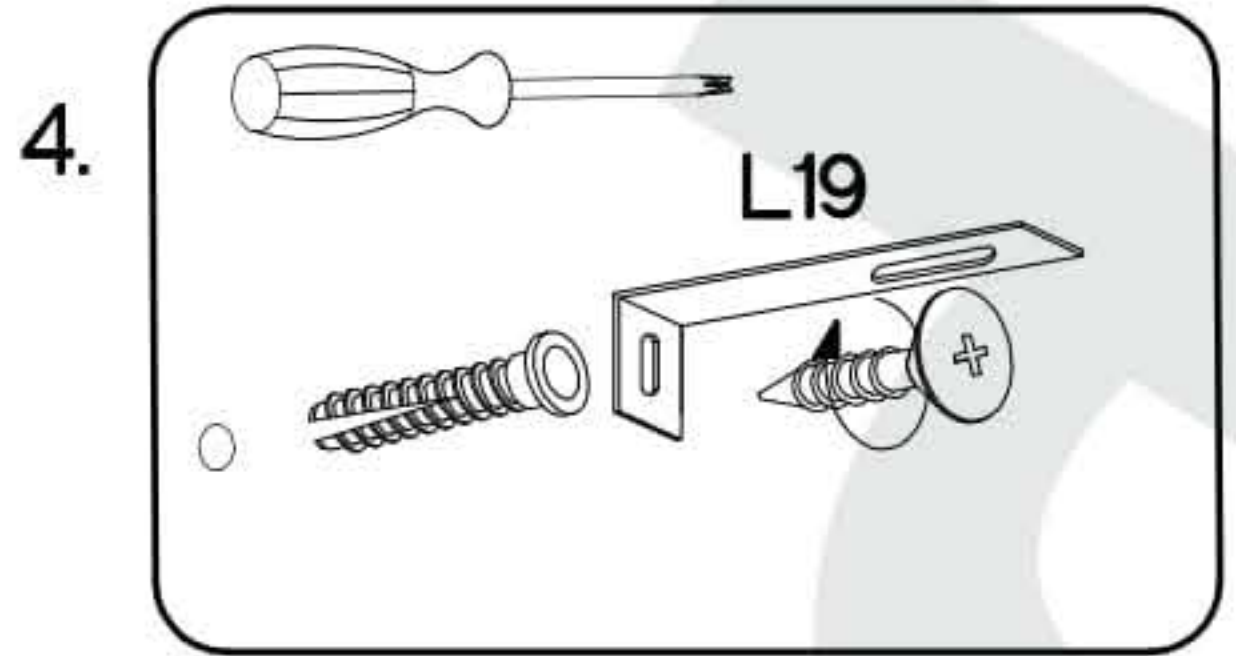
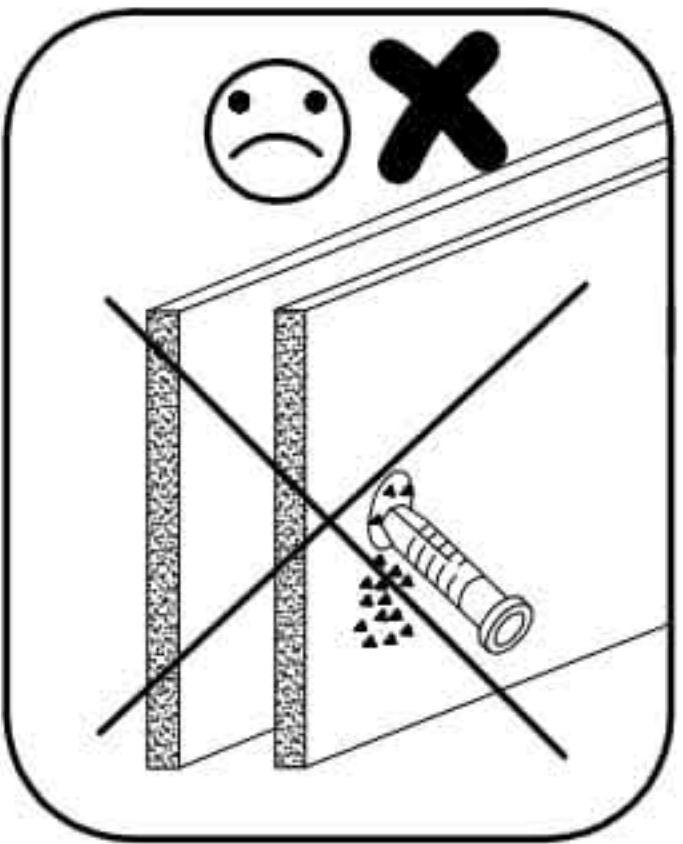
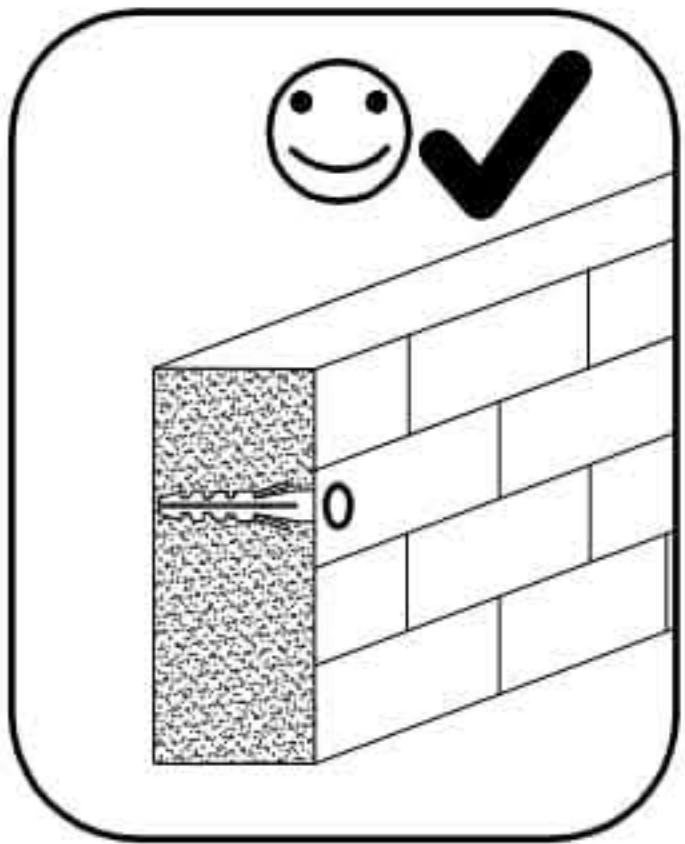
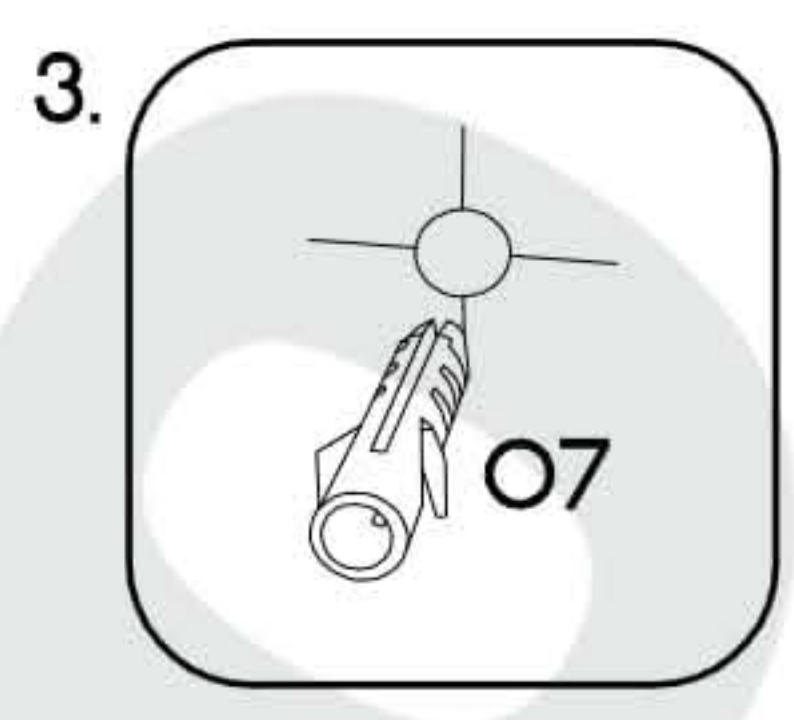
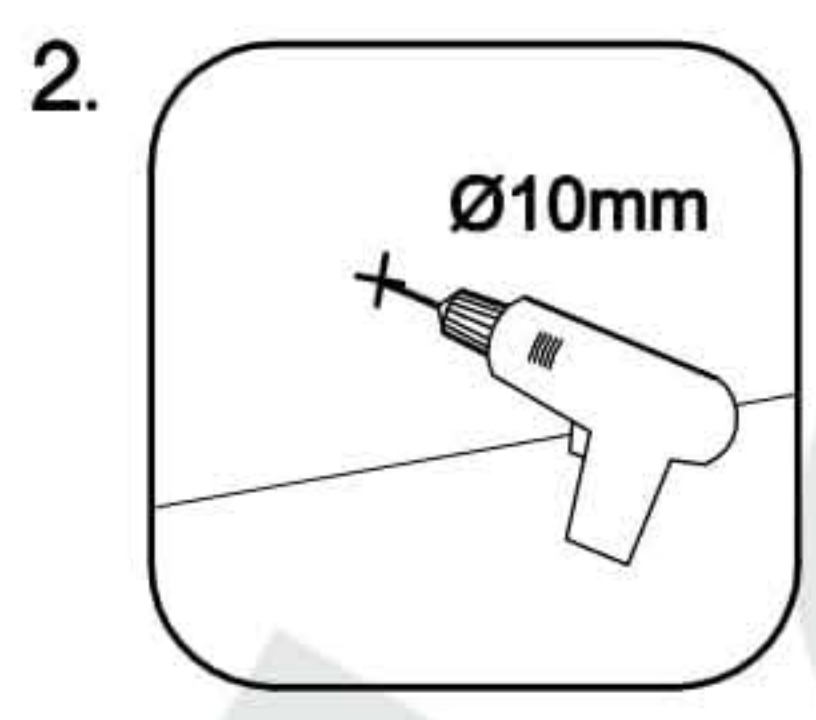
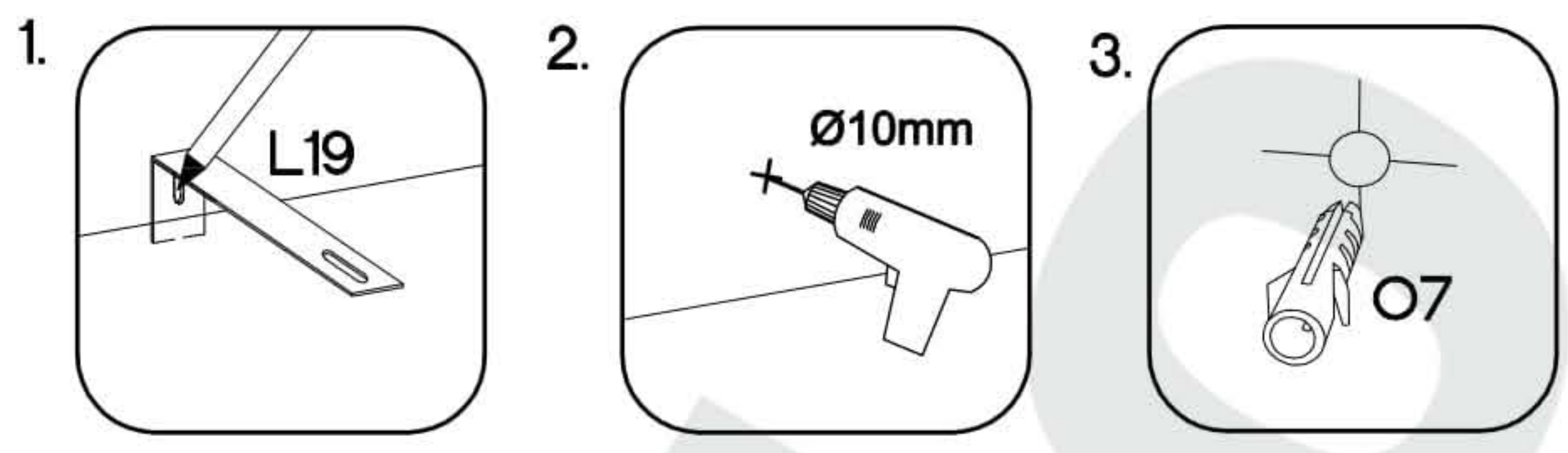


3.0x20mm		
	P7	L
12		14

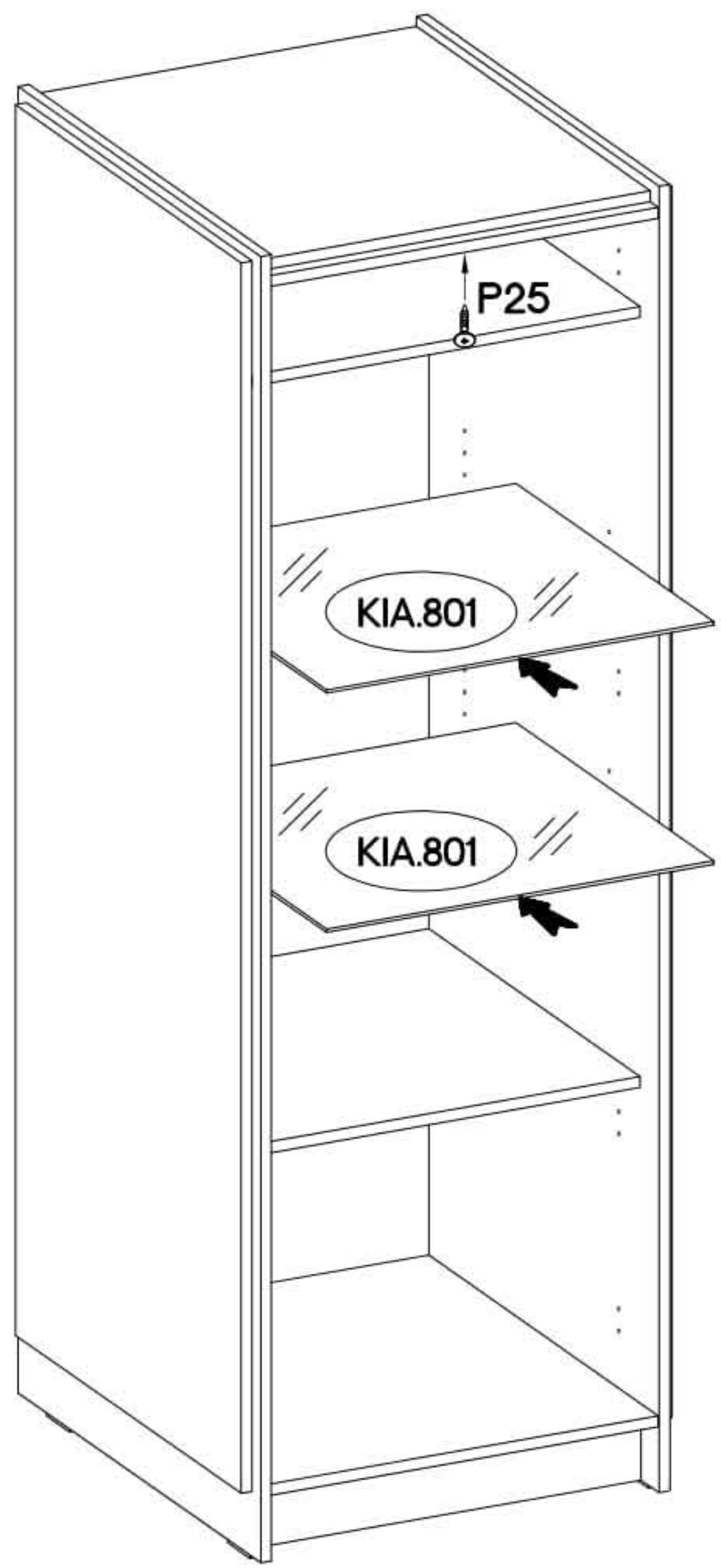




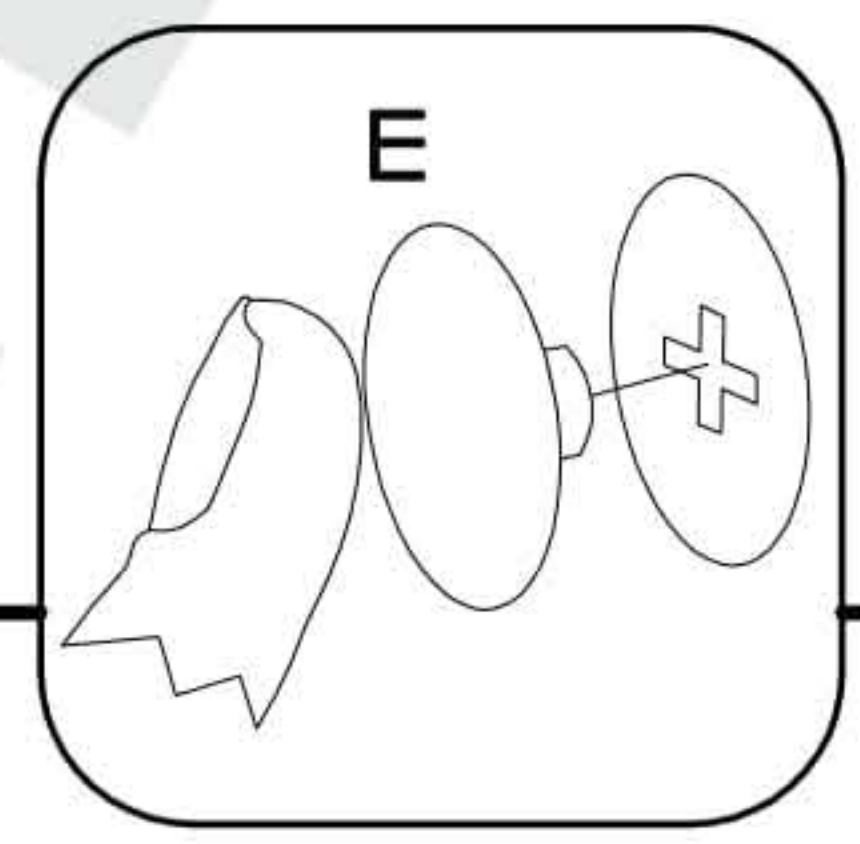
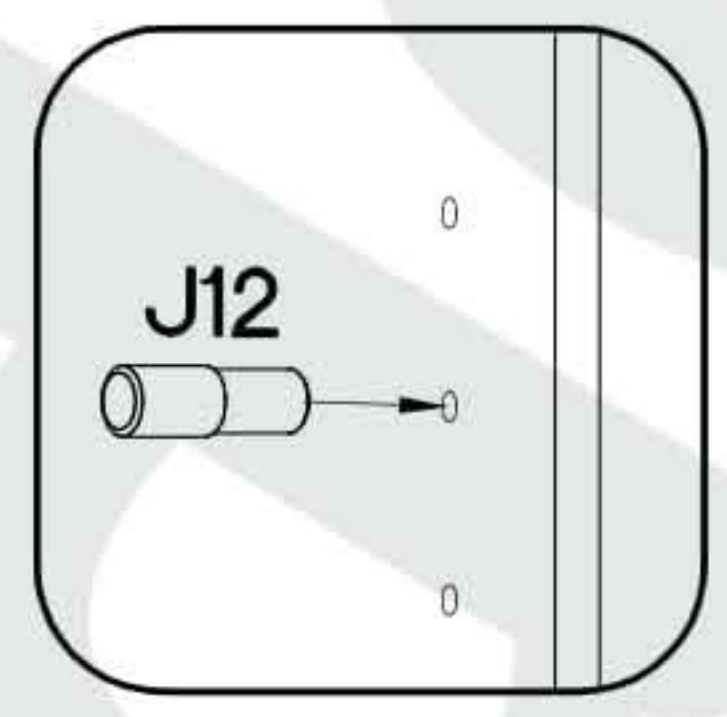
75x30x15mm	3.5x13mm	5.0x60mm	10x50mm
			
L19	P5	P12	O7
1	2	1	1



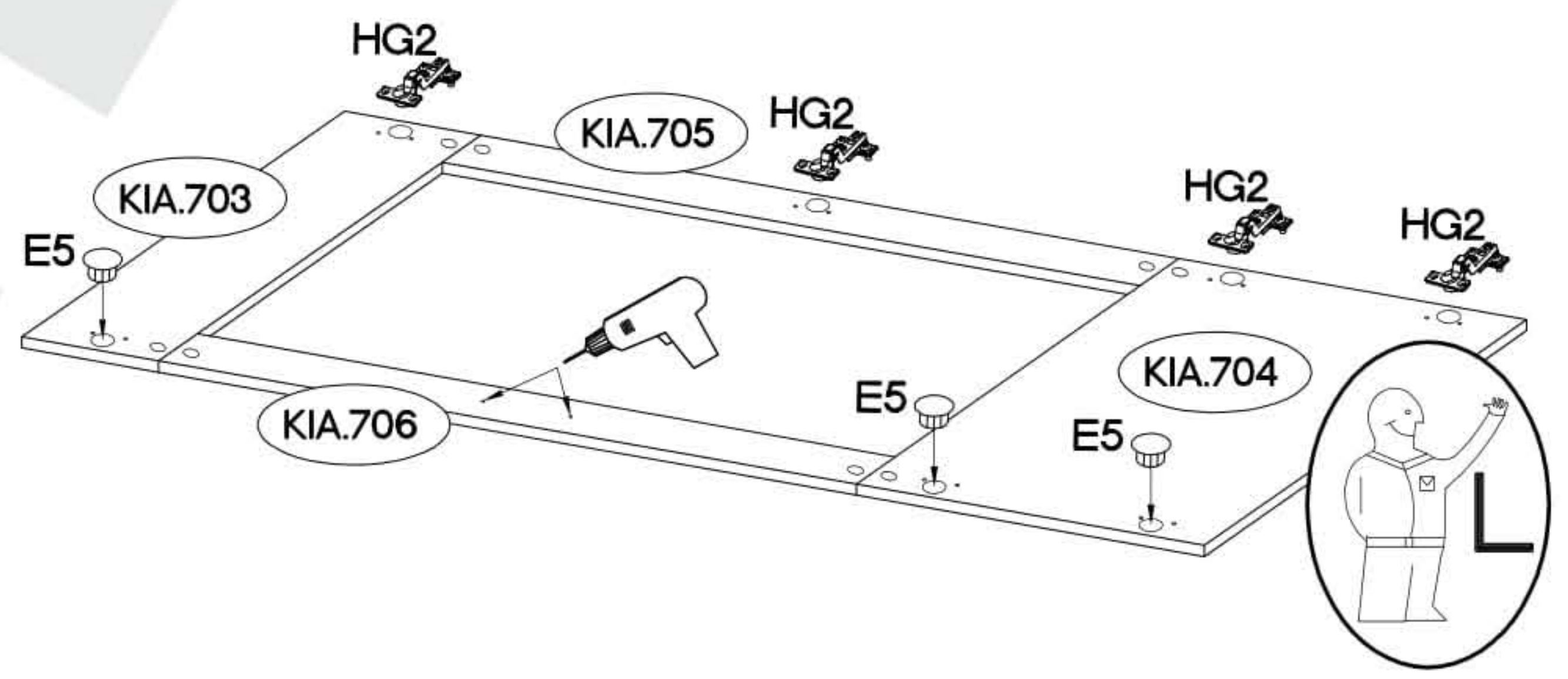
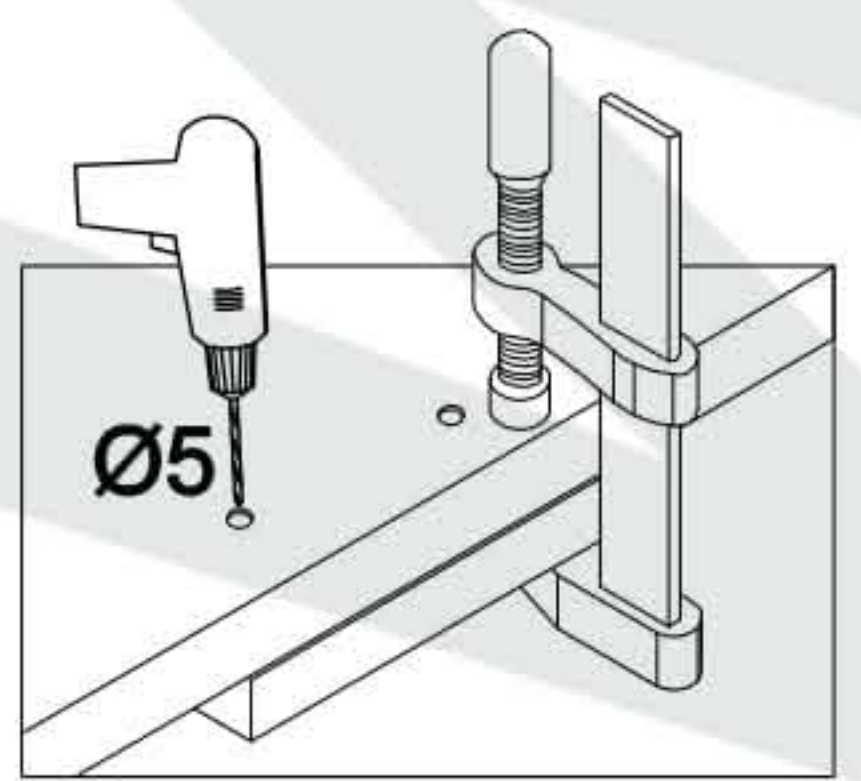
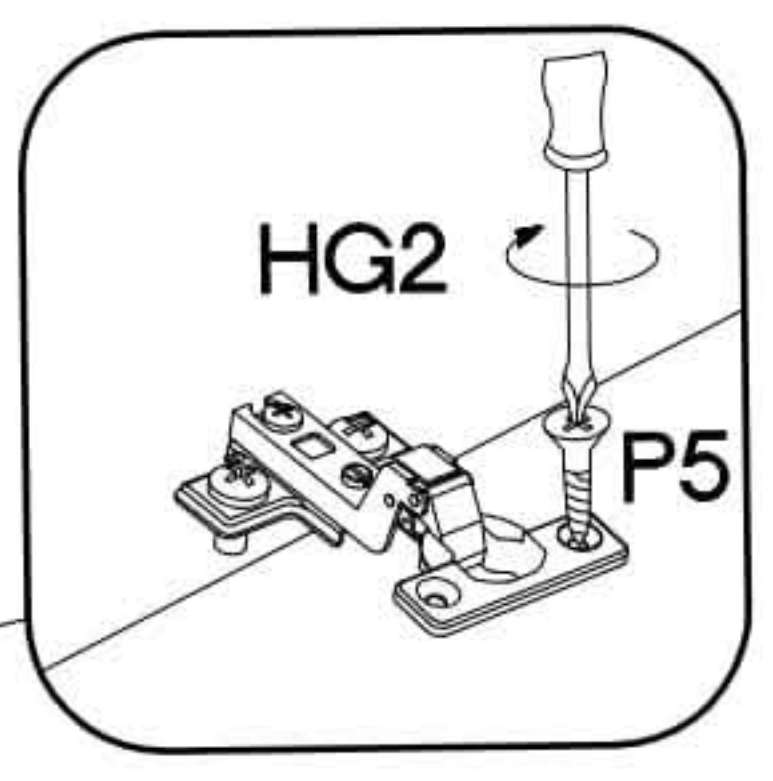
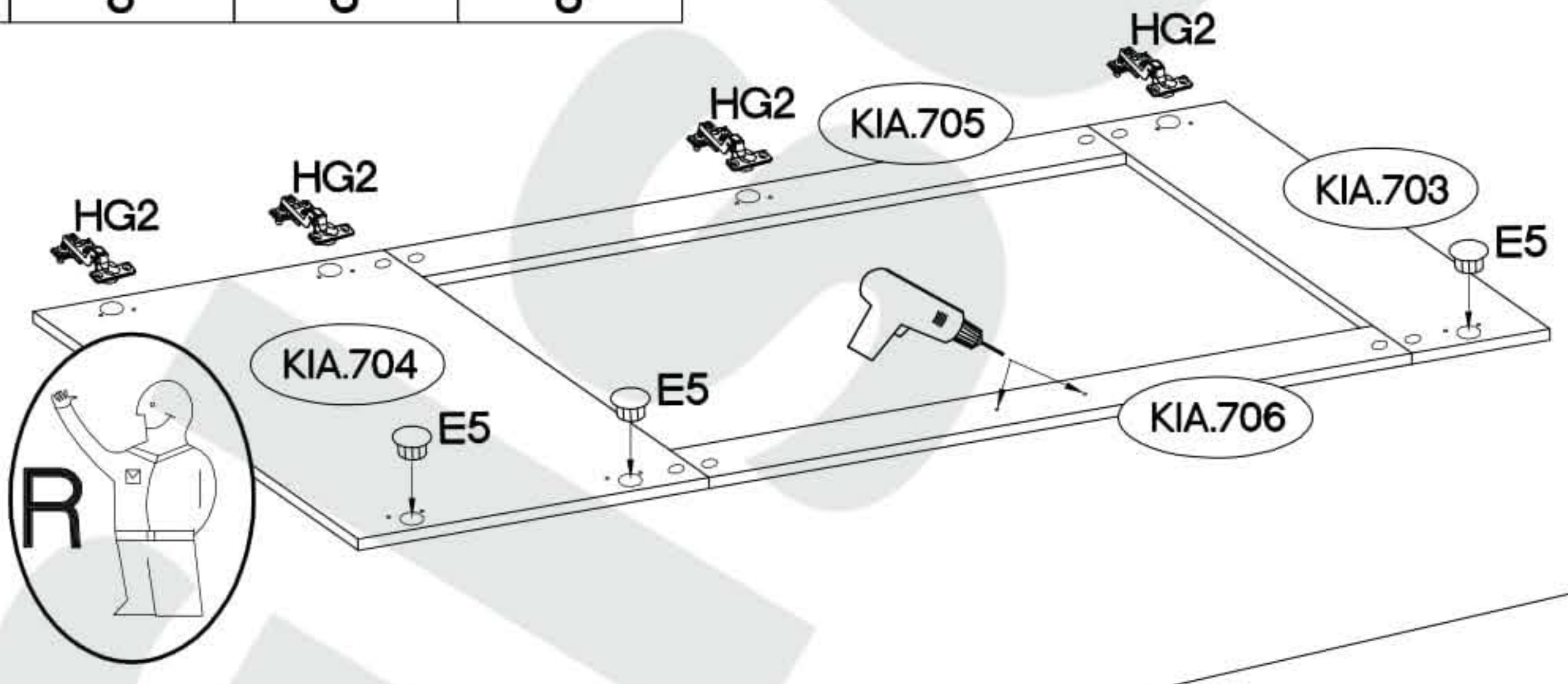




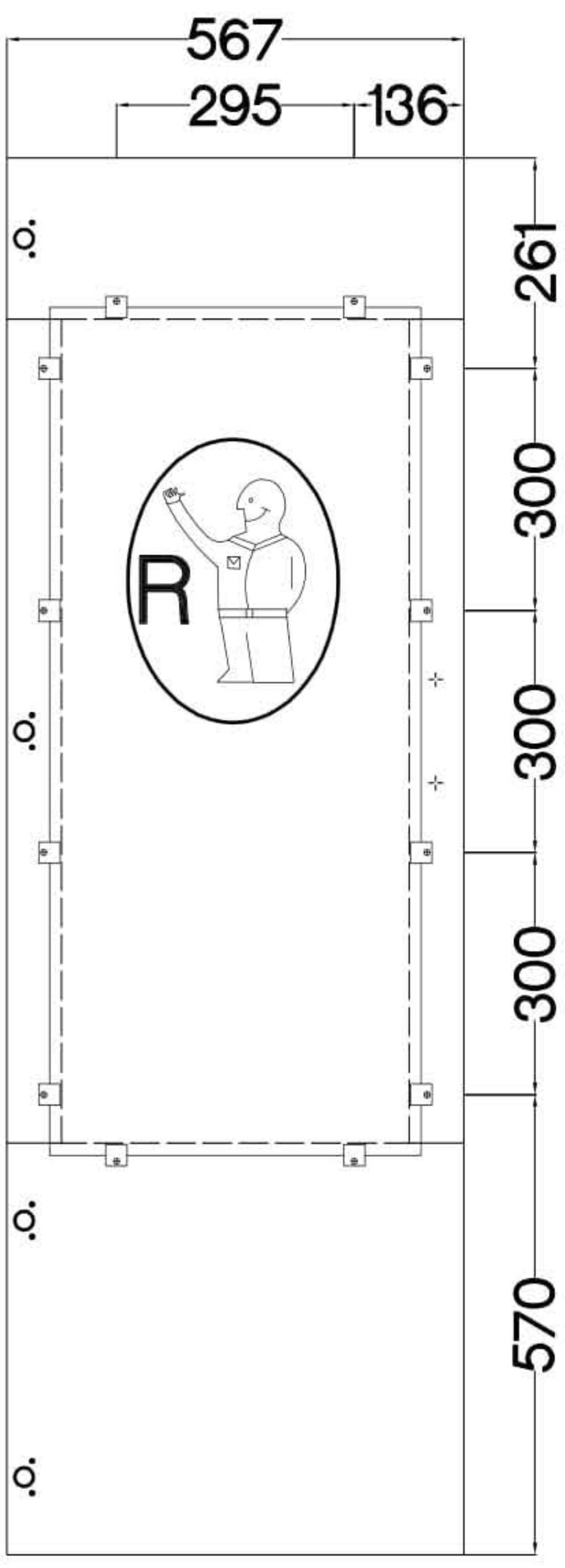
$\pm 5/16$ mm  <b>J12</b> 8	cza.  <b>E</b> 12	$\pm 3.5 \times 25$ mm BLACK  <b>P25</b> 1
--------------------------------------	----------------------------	--





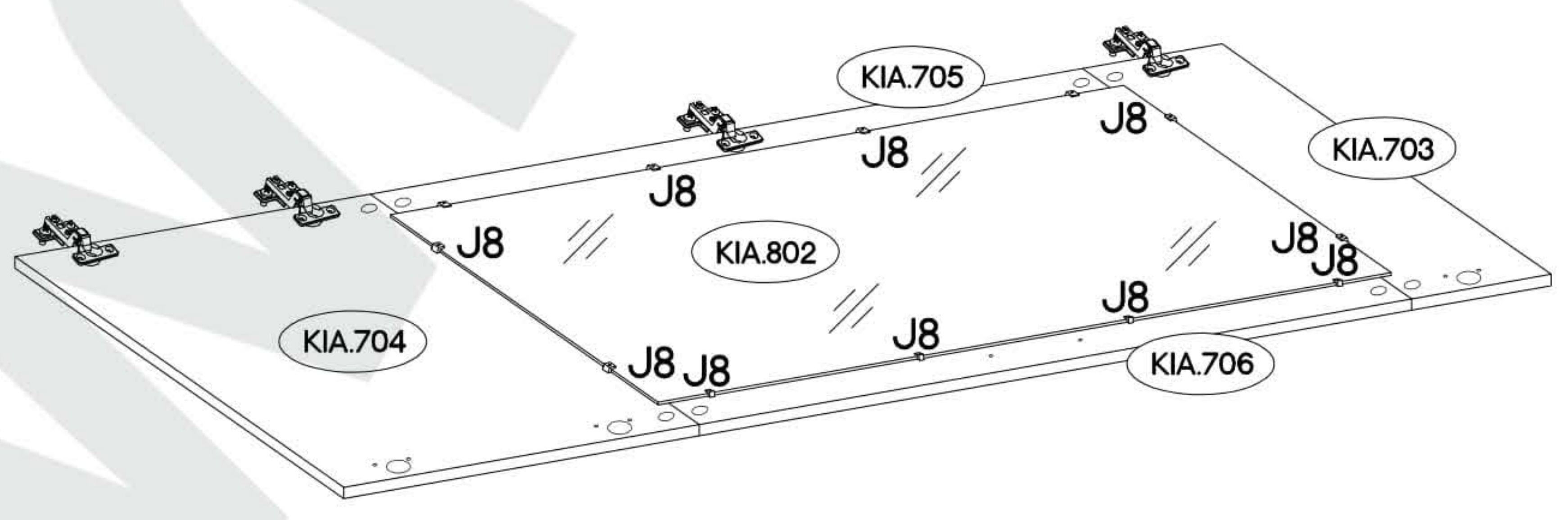
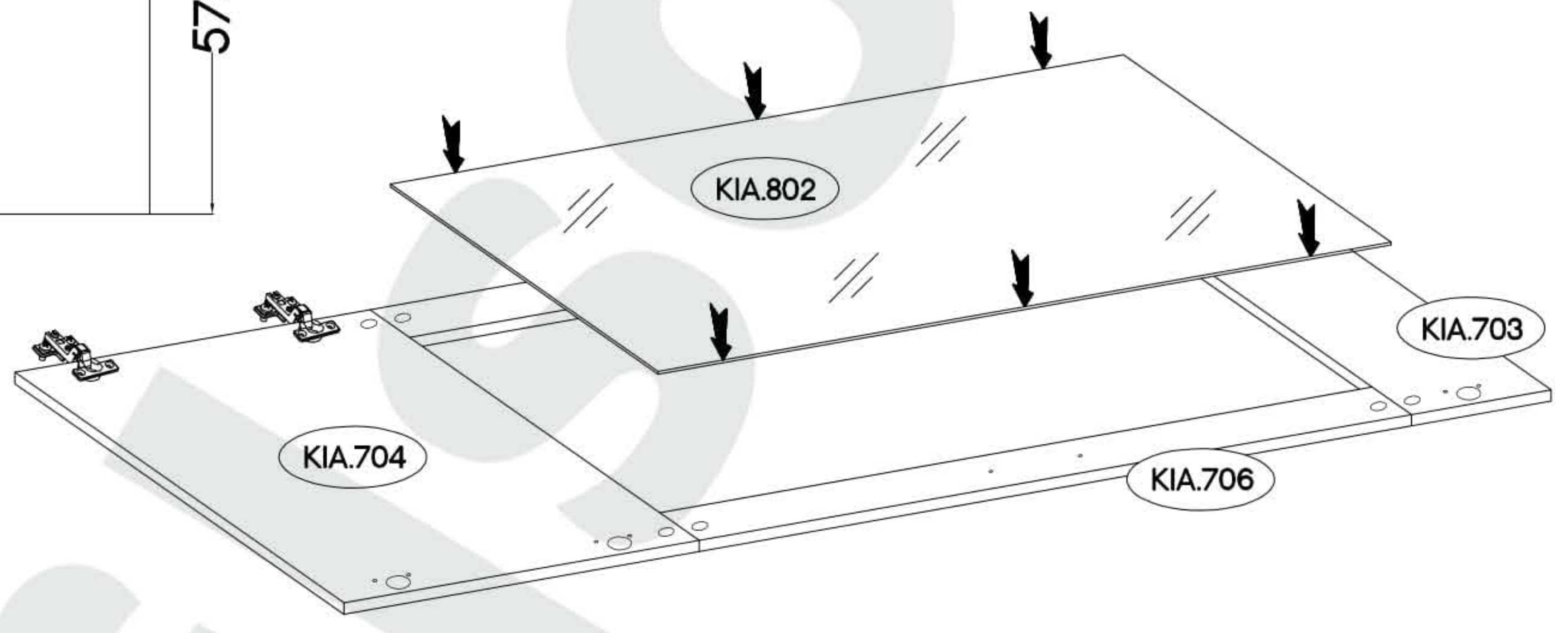
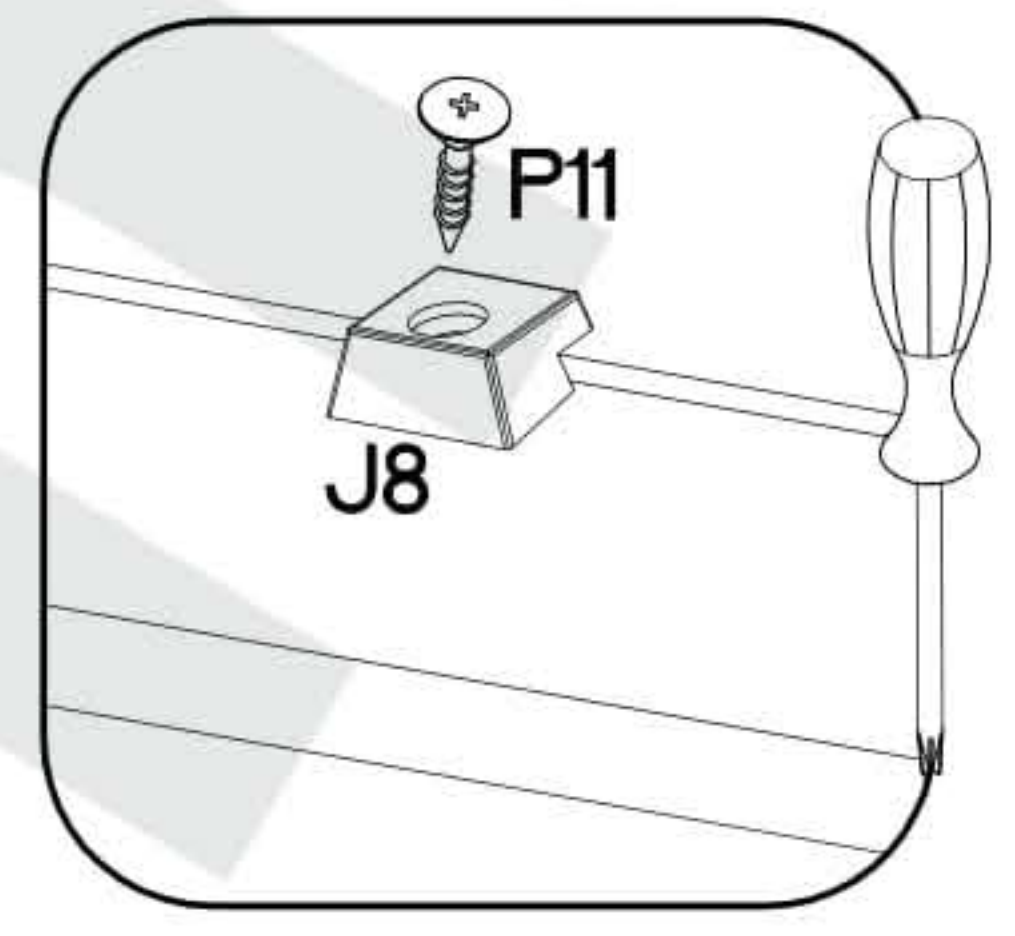
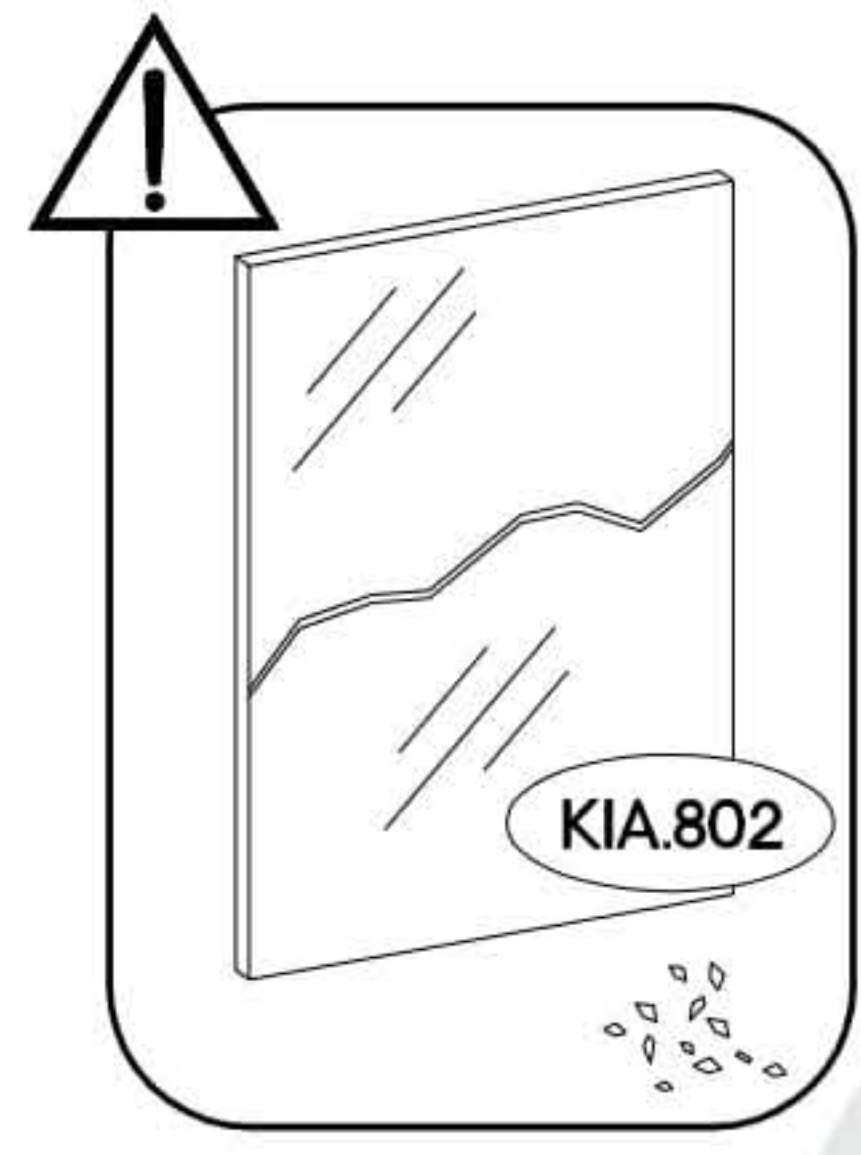
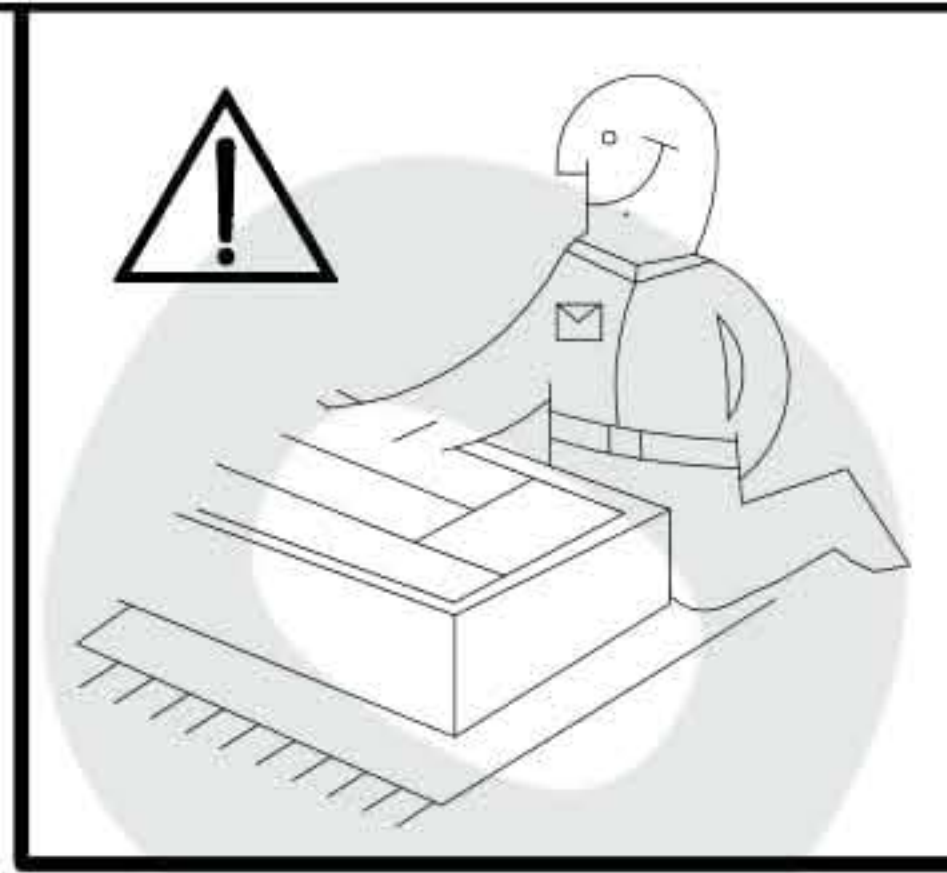
$\pm 35/16$ mm  <b>HG2</b> 4	$\pm 3.5 \times 13$ mm  <b>P5</b> 8	$\pm 35$ mm  <b>E5</b> 3	art.  <b>E</b> 8
---------------------------------------	--	-----------------------------------	---------------------------



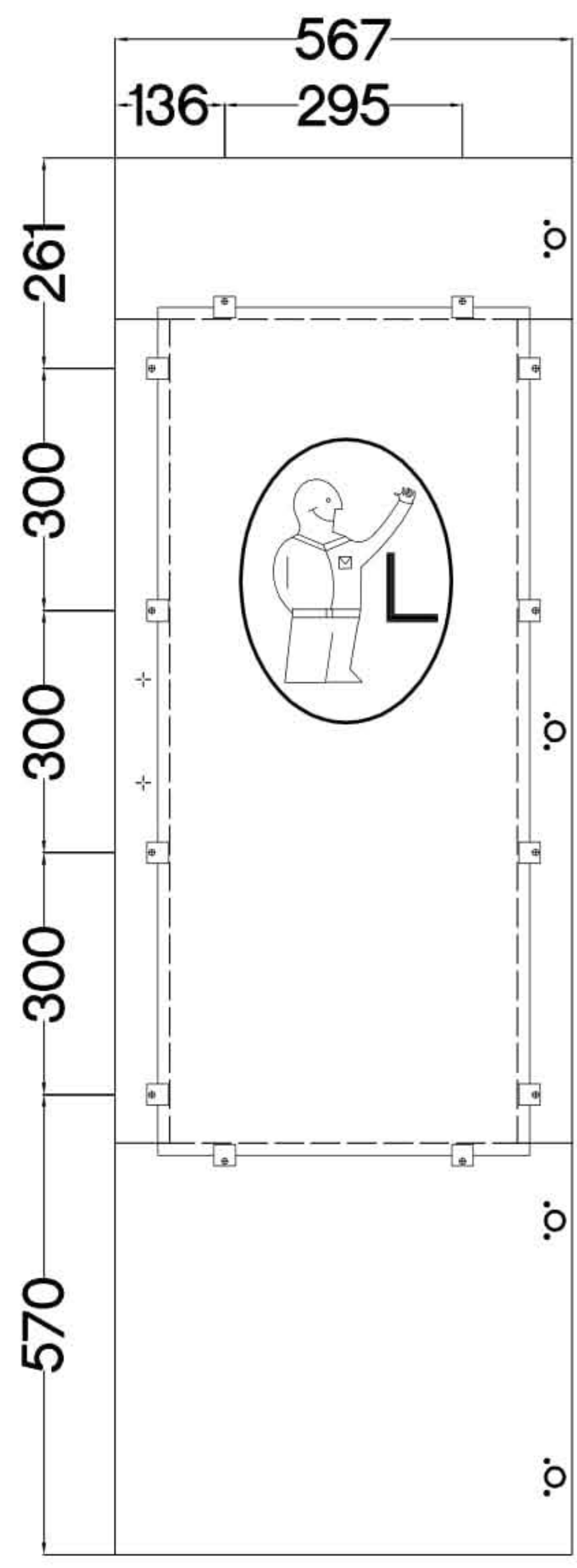




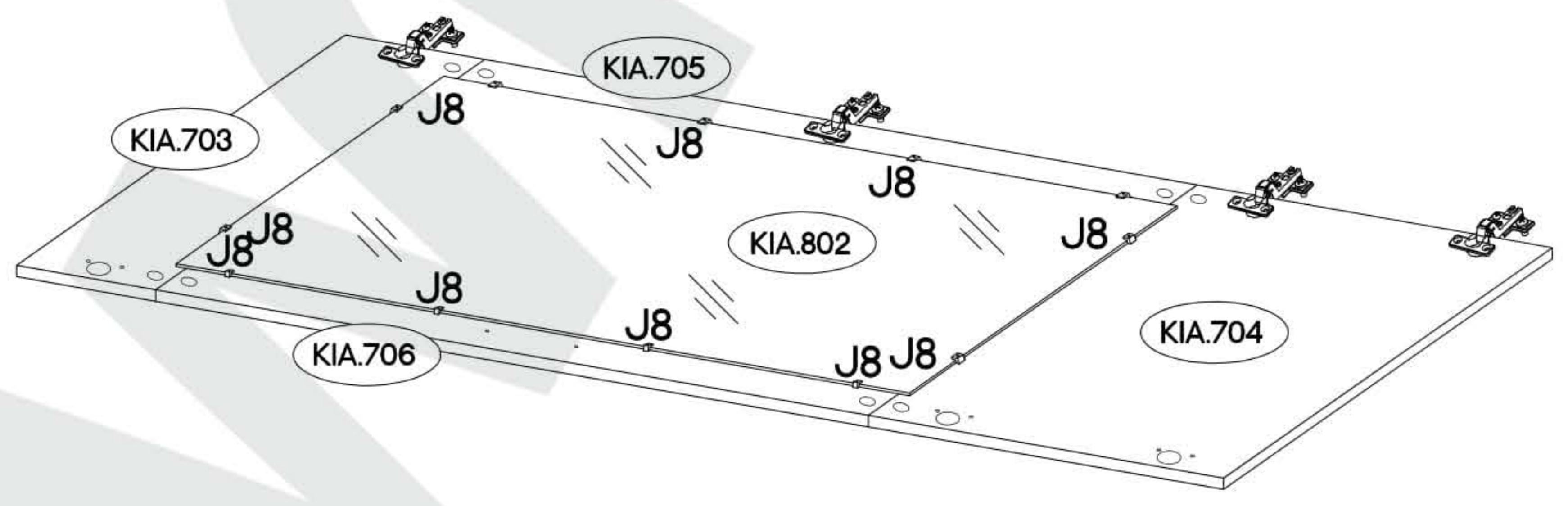
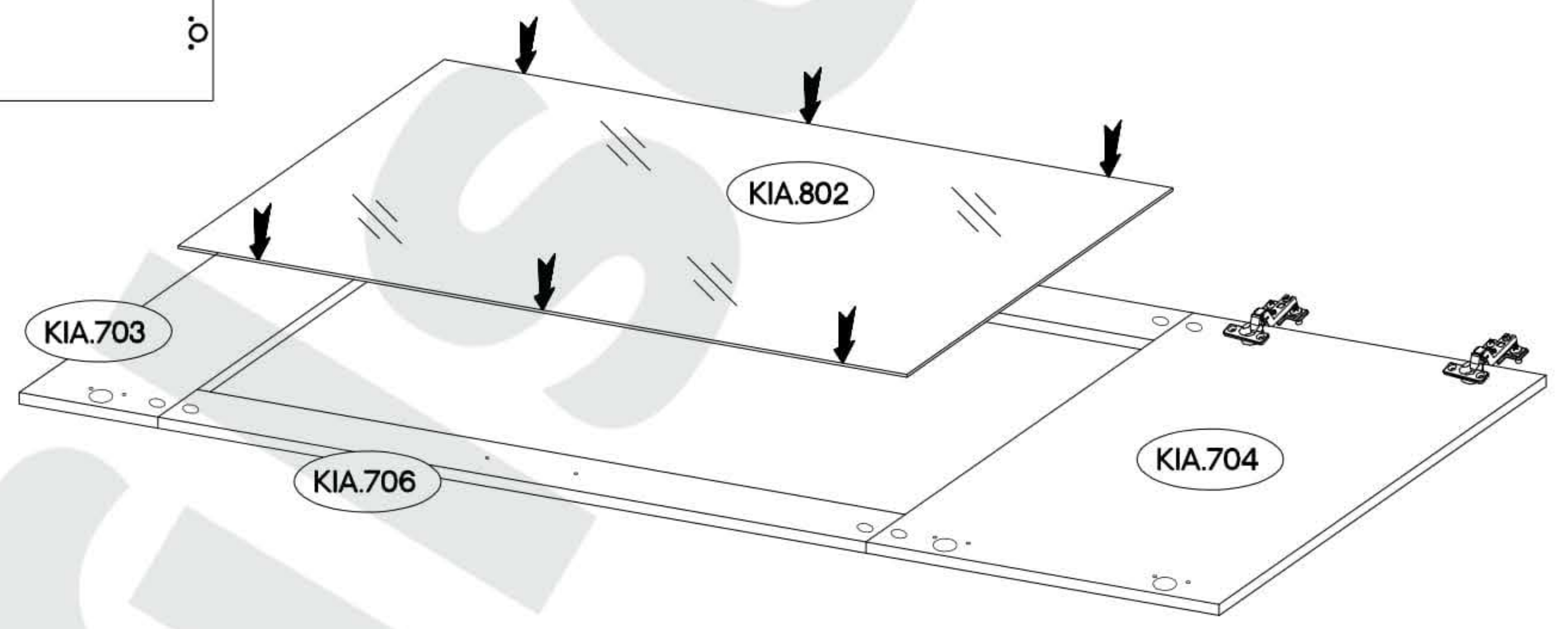
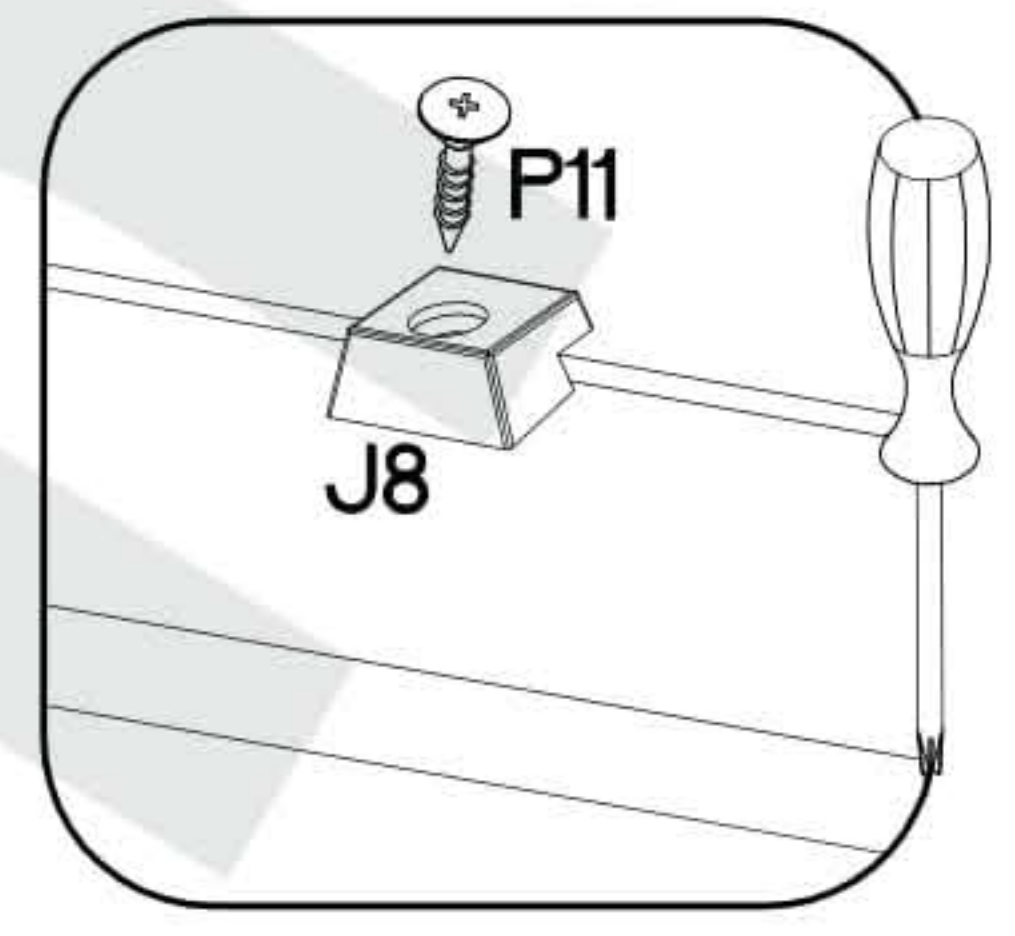
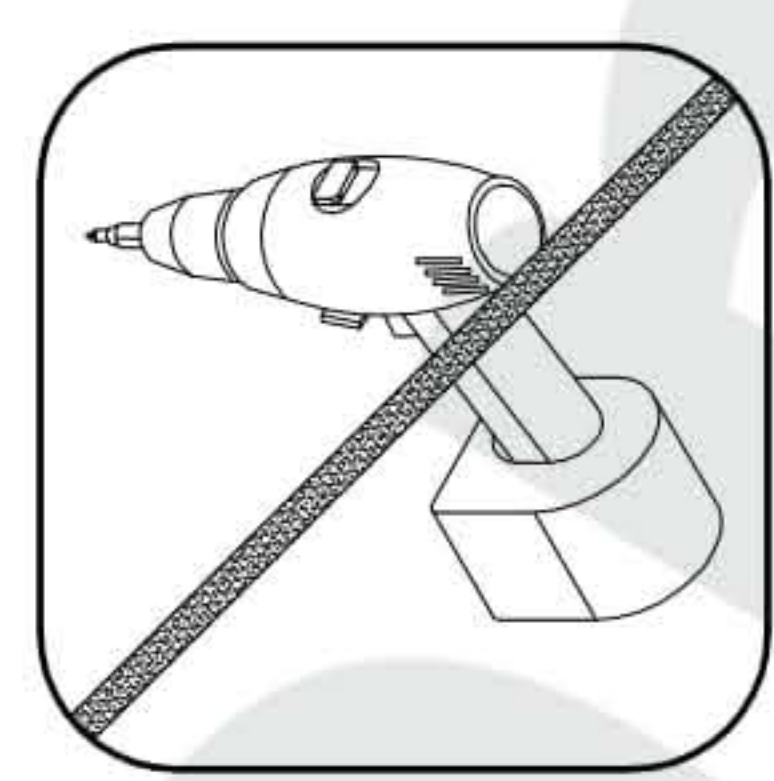
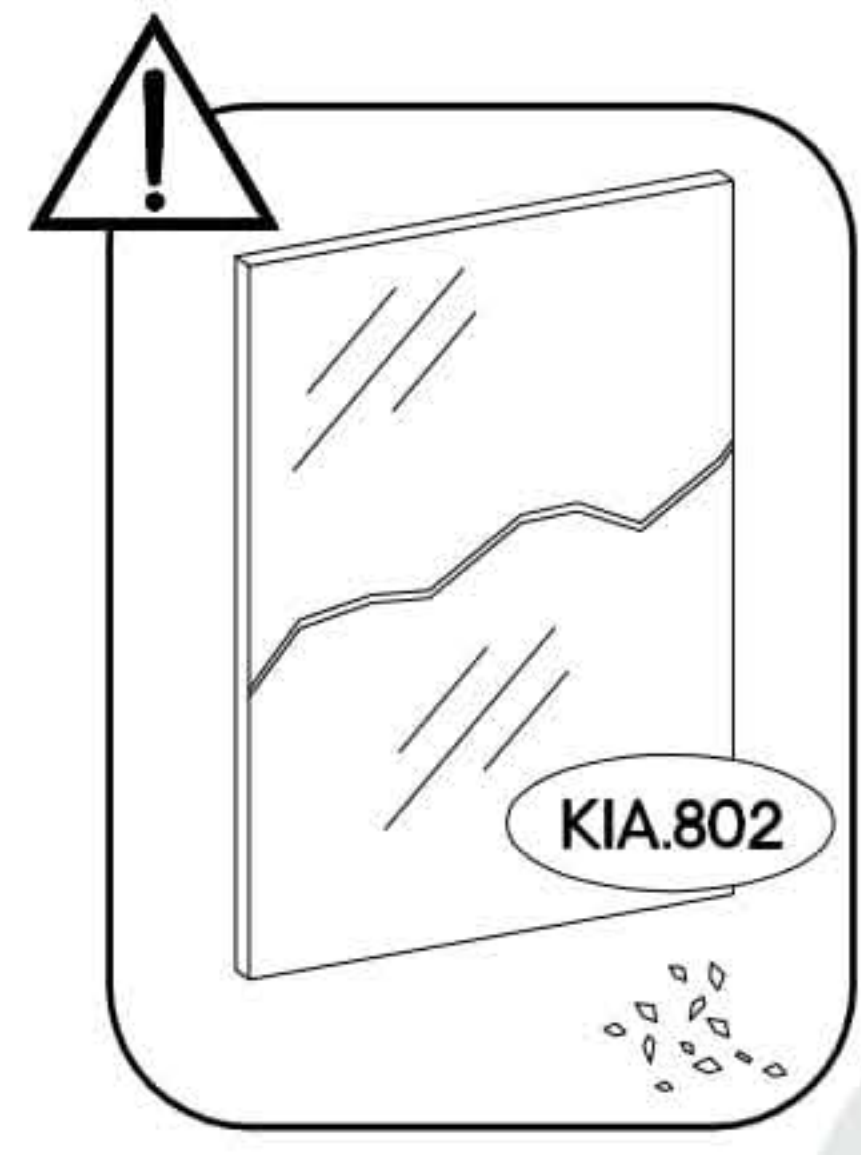
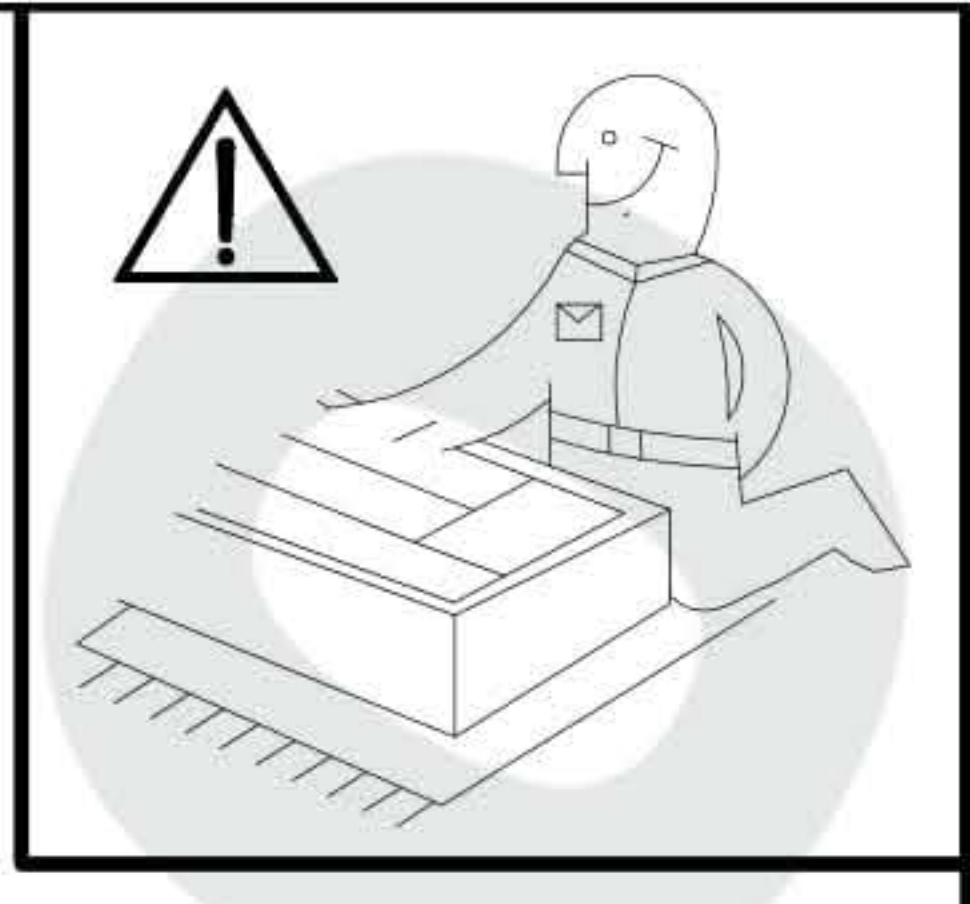
	$\pm 3.0 \times 16 \text{mm}$ 
J8 12	P11 12



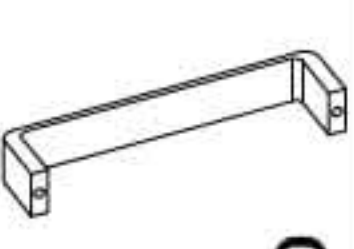





	$\uparrow 3.0 \times 16 \text{mm}$ 
J8	P11
12	12





L=128mm	M4x22mm
	
S	U
1	2

