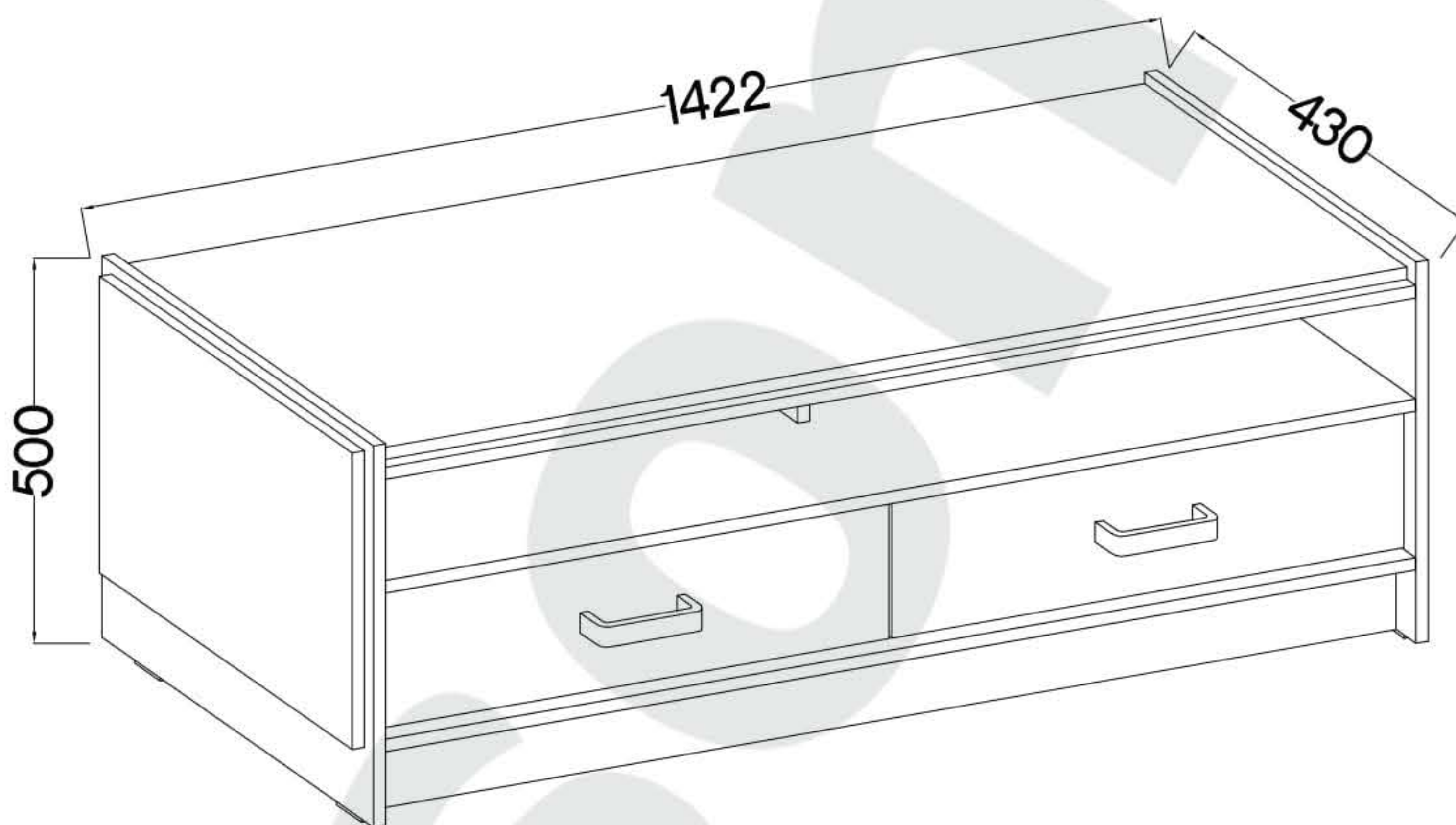


120 min

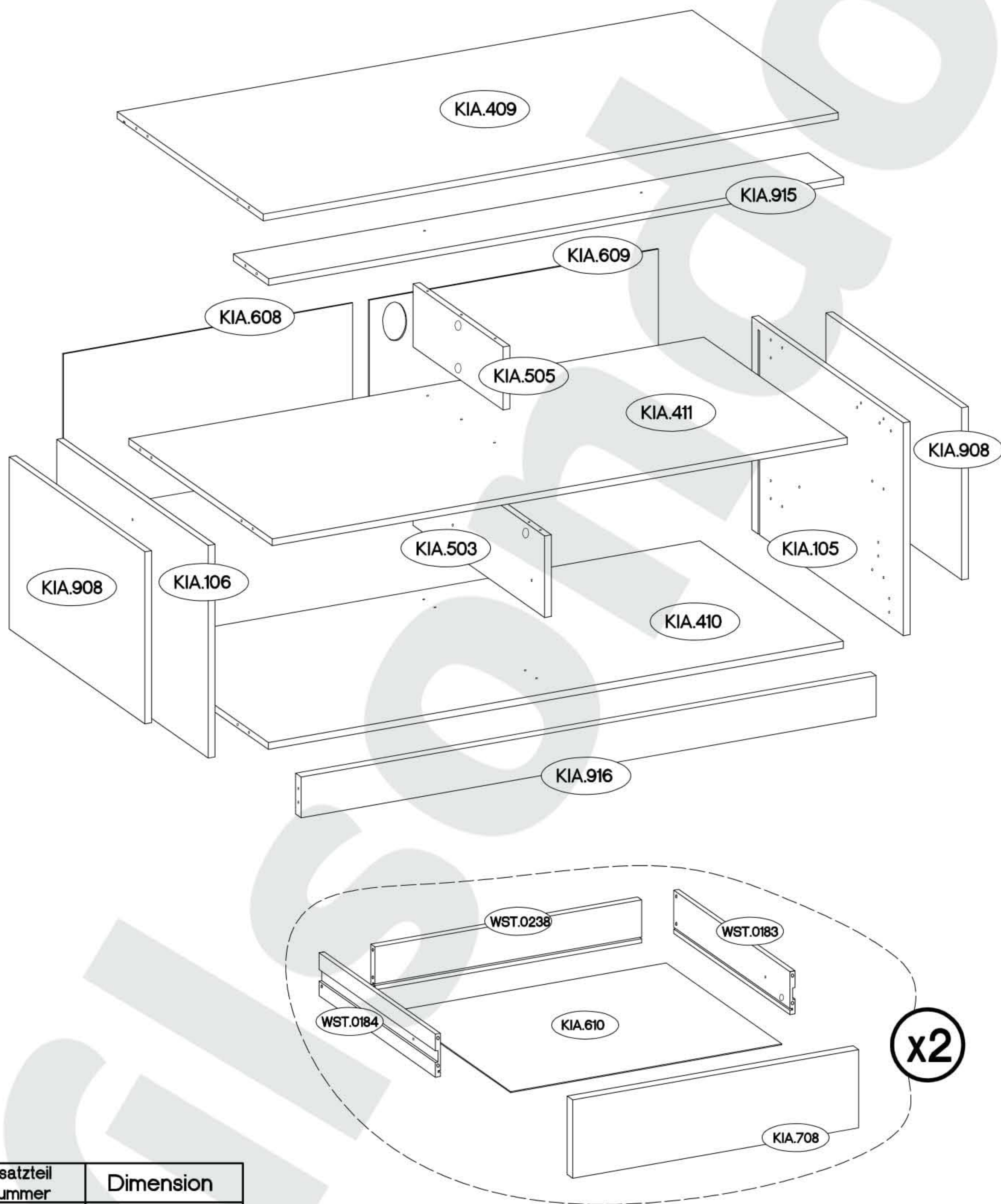
TYP 320



†8x30mm  A	†8x60mm  A2	†8x20mm  A4	6,4 x 50mm  B	†6x42mm  B2
32	1	4	2	4

†15/12mm  C	†12/10mm  C5	L=20mm  D2	cza.  E	art.  E	6.5x48x16  F2	†15x5mm  F4	27/310mm  I4	†20/8mm  J14	 L	 L2
18	4	22	10	4	4	1	2	4	17	2
†6,3x13mm  M2	†6,3x20mm  M3	 O	 O1	†4.0x16mm  P1	†3.0x20mm  P7	†3.5x25mm BLACK  P25	L=128mm  S	 T3	M4x22mm  U	M4x9mm  U1
4	4	1	1	2	22	10	2	1	4	4

ISM-KIA-006






Colli	Ersatzteil Nummer	Dimension
1/2	KIA.105	495x430x16
	KIA.106	495x430x16
	KIA.503	190x374x16
	KIA.505	147x256x16
	KIA.608	372x683x2,5
	KIA.609	372x683x2,5
	KIA.610 x2	640x327x2,5
	KIA.908 X2	385x400x16
	WST.0183 x2	330x100x12
	WST.0184 x2	330x100x12
	WST.0238 x2	630x100x12

Colli	Ersatzteil Nummer	Dimension
2/2	KIA.409	1358x415x16
	KIA.410	1358x407x16
	KIA.411	1358x407x16
	KIA.708 x2	675x182x16
	KIA.915	1358x100x16
	KIA.916	1358x95x16

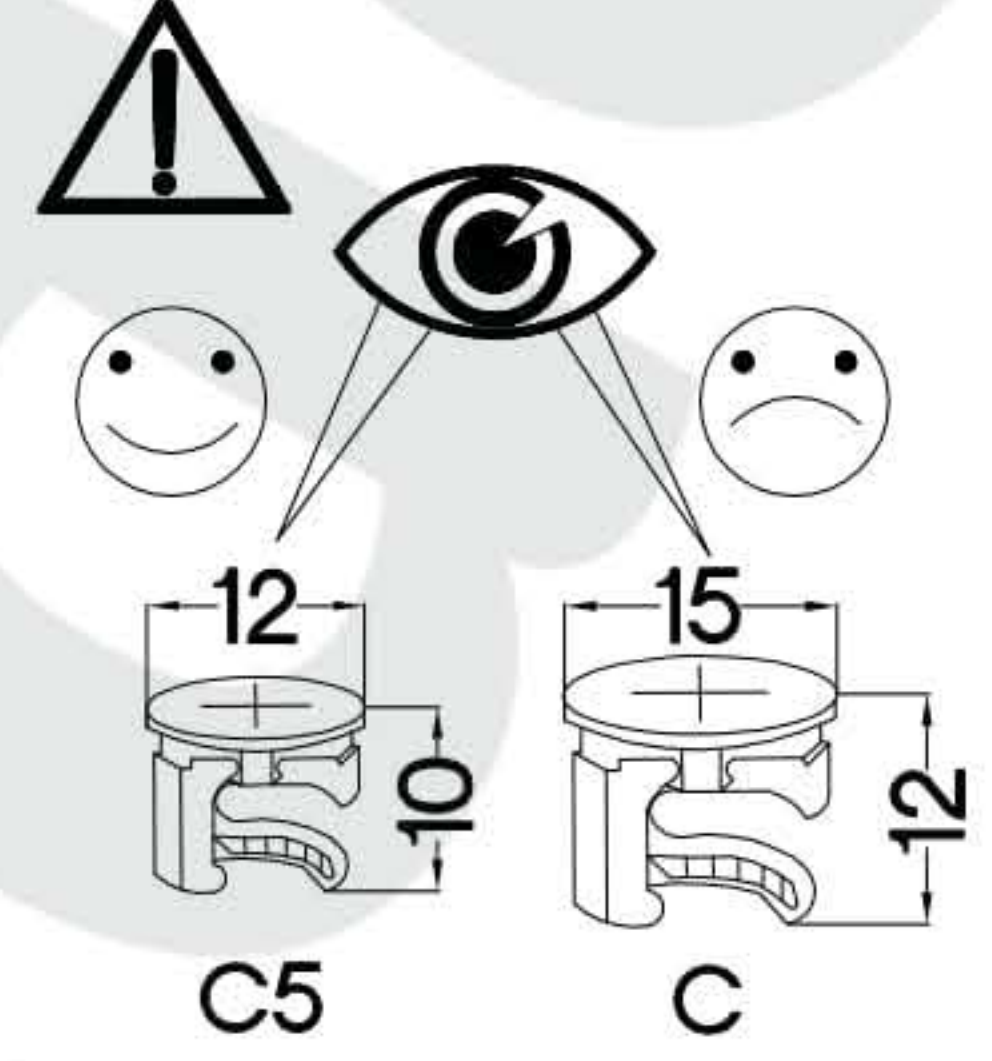
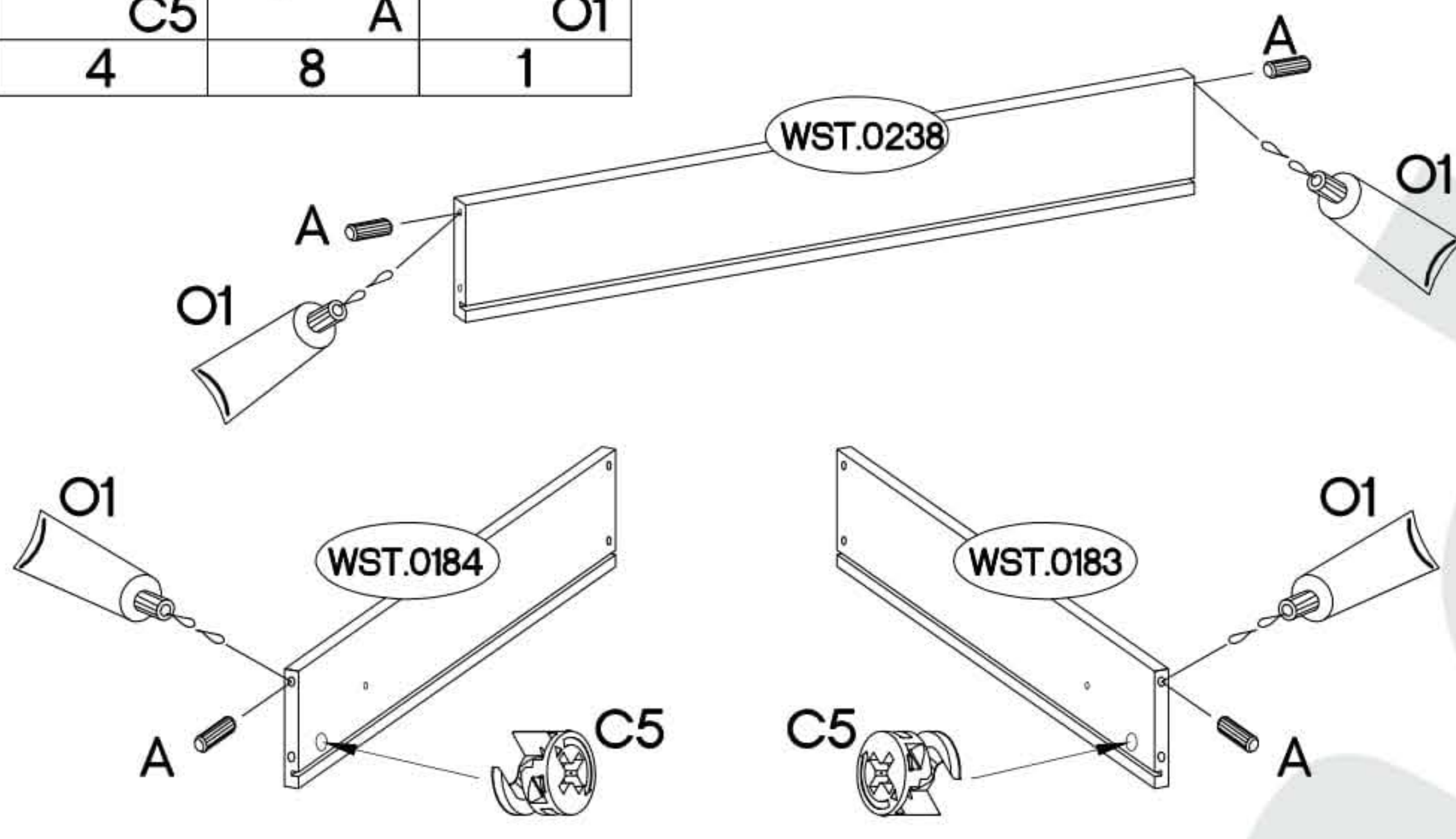
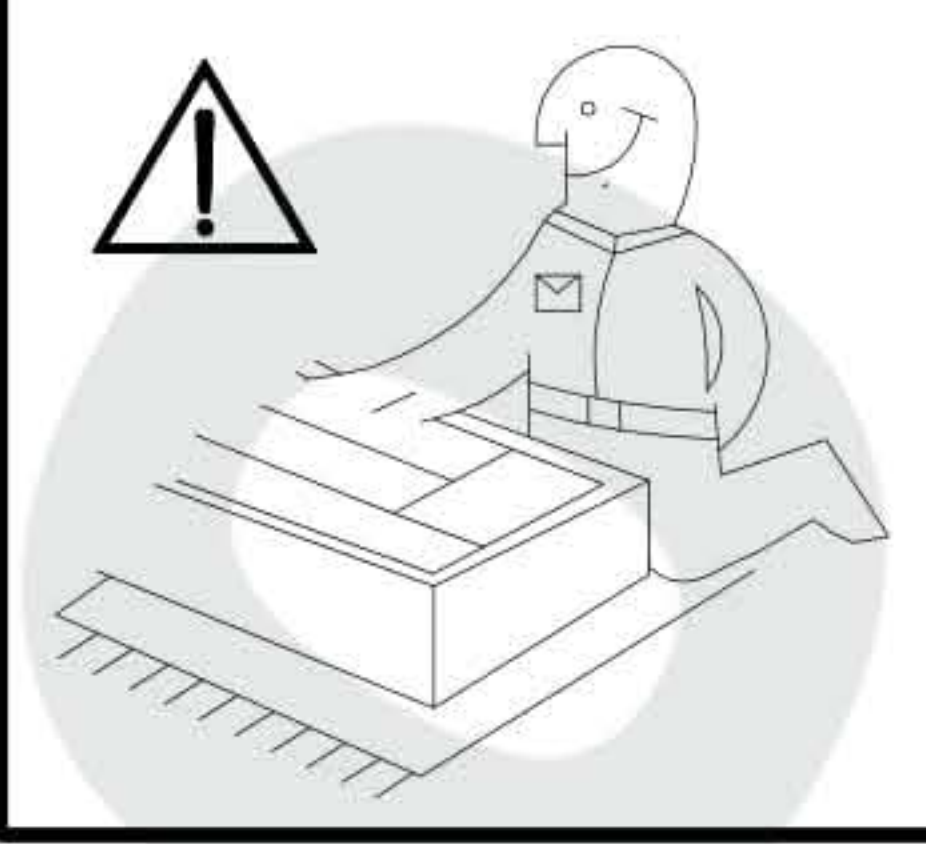


KIA.610

1



±12/10mm  C5 4	±8x30mm  A 8	 O1 1
---	---	---

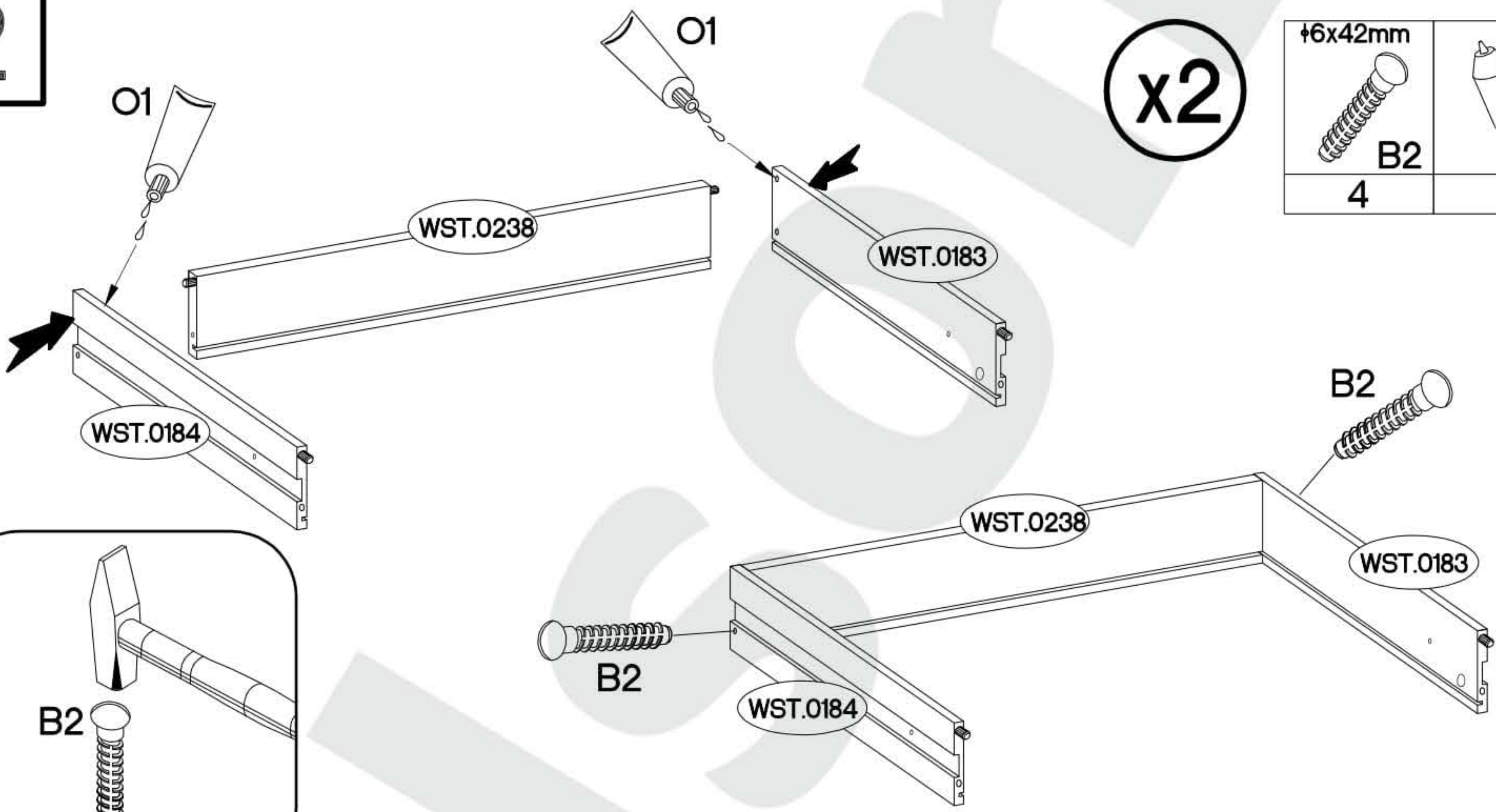
x2



2

x2

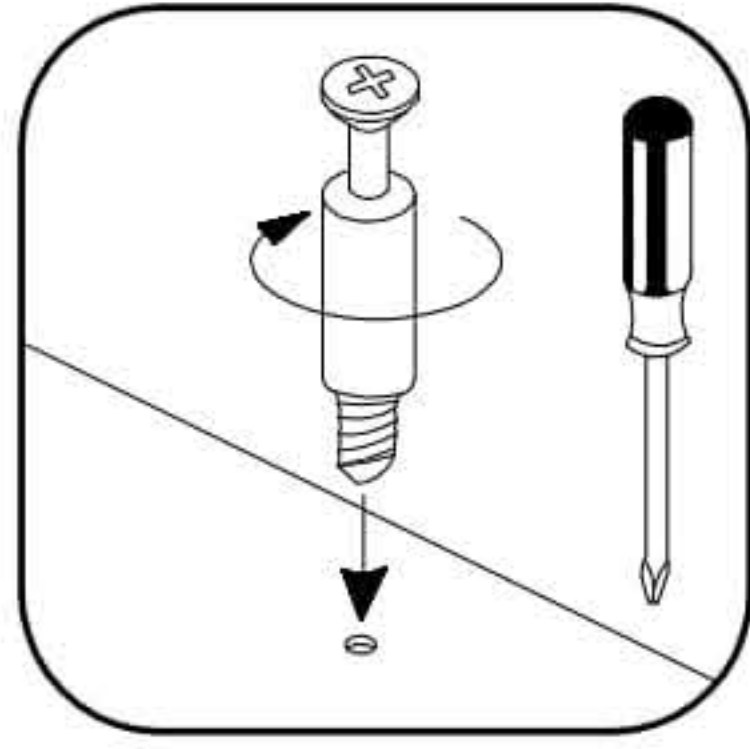
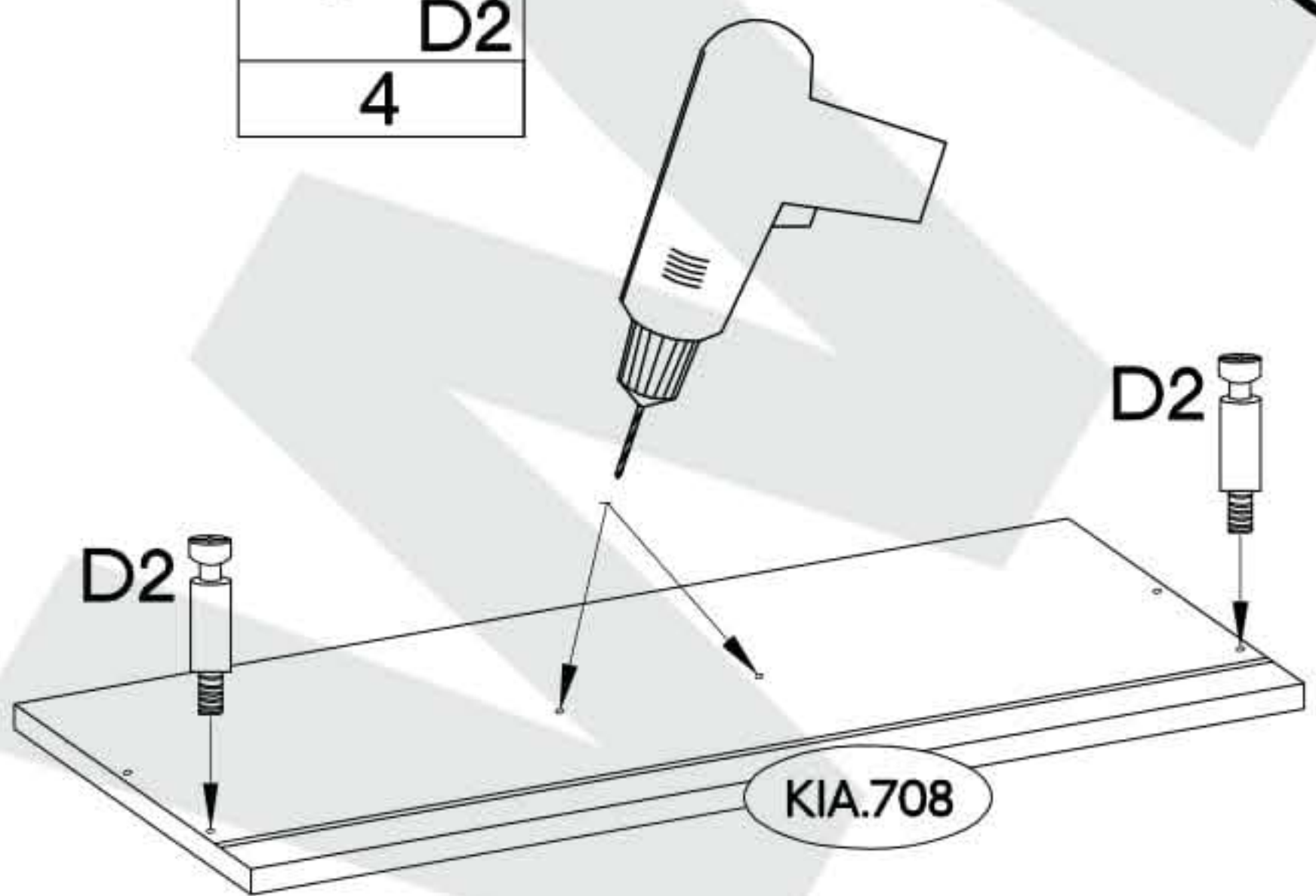
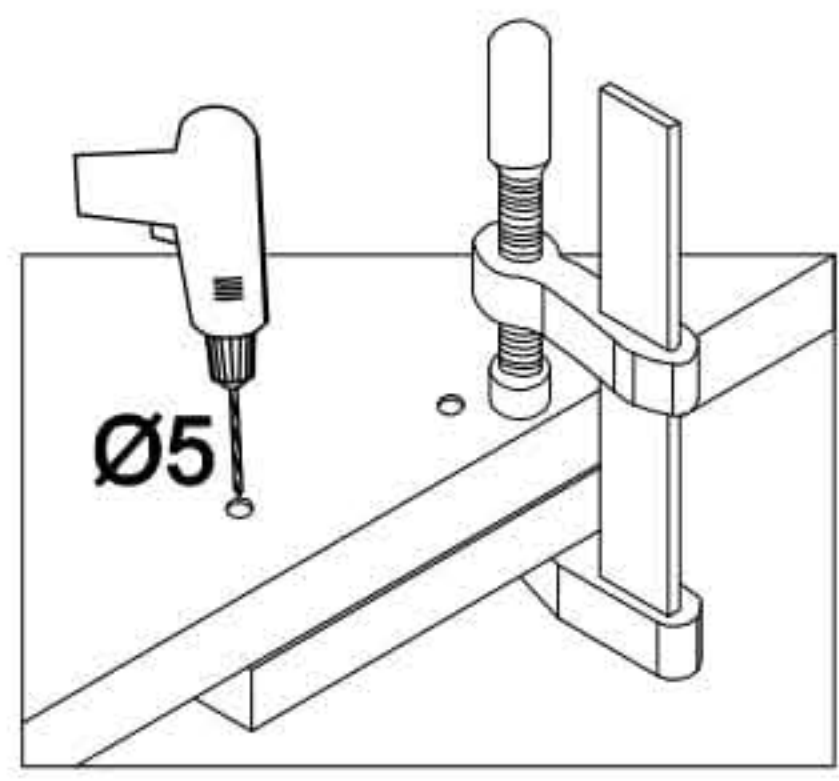
±6x42mm  B2 4	 O1 1
---	--



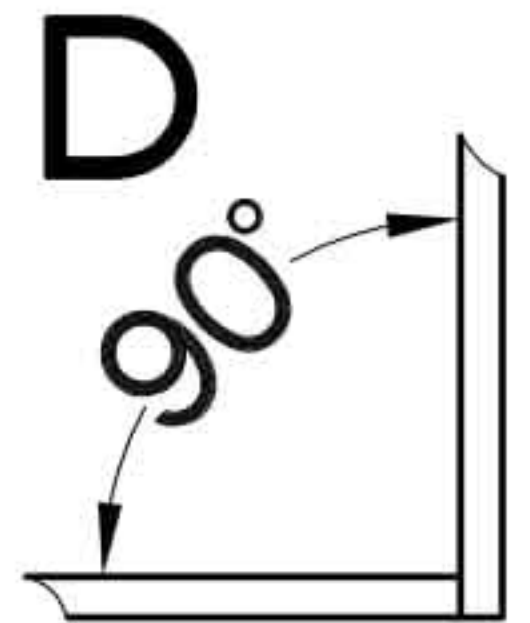
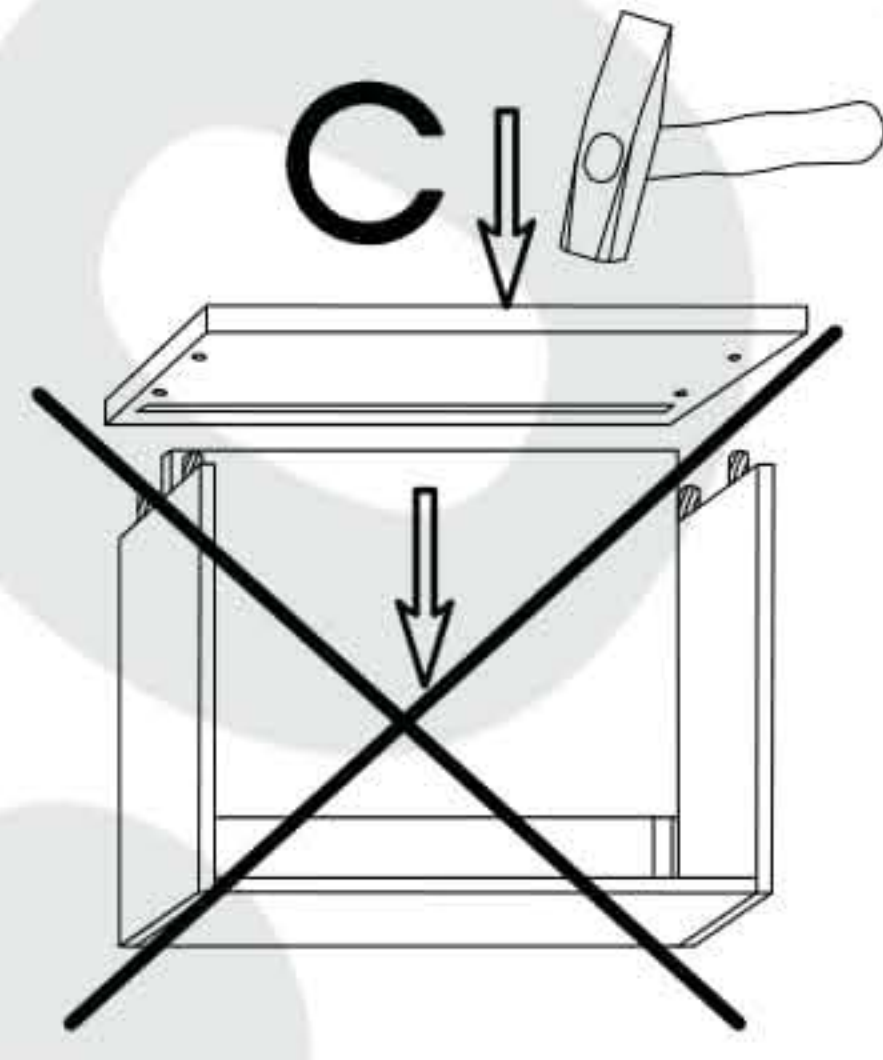
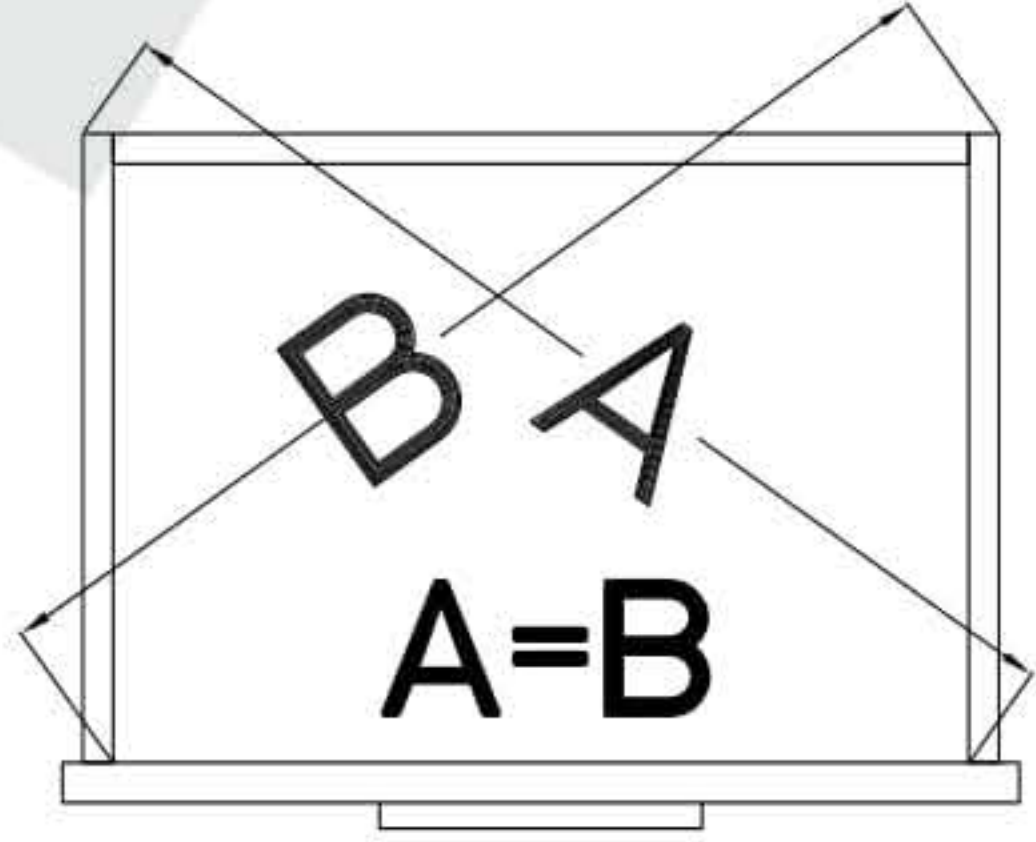
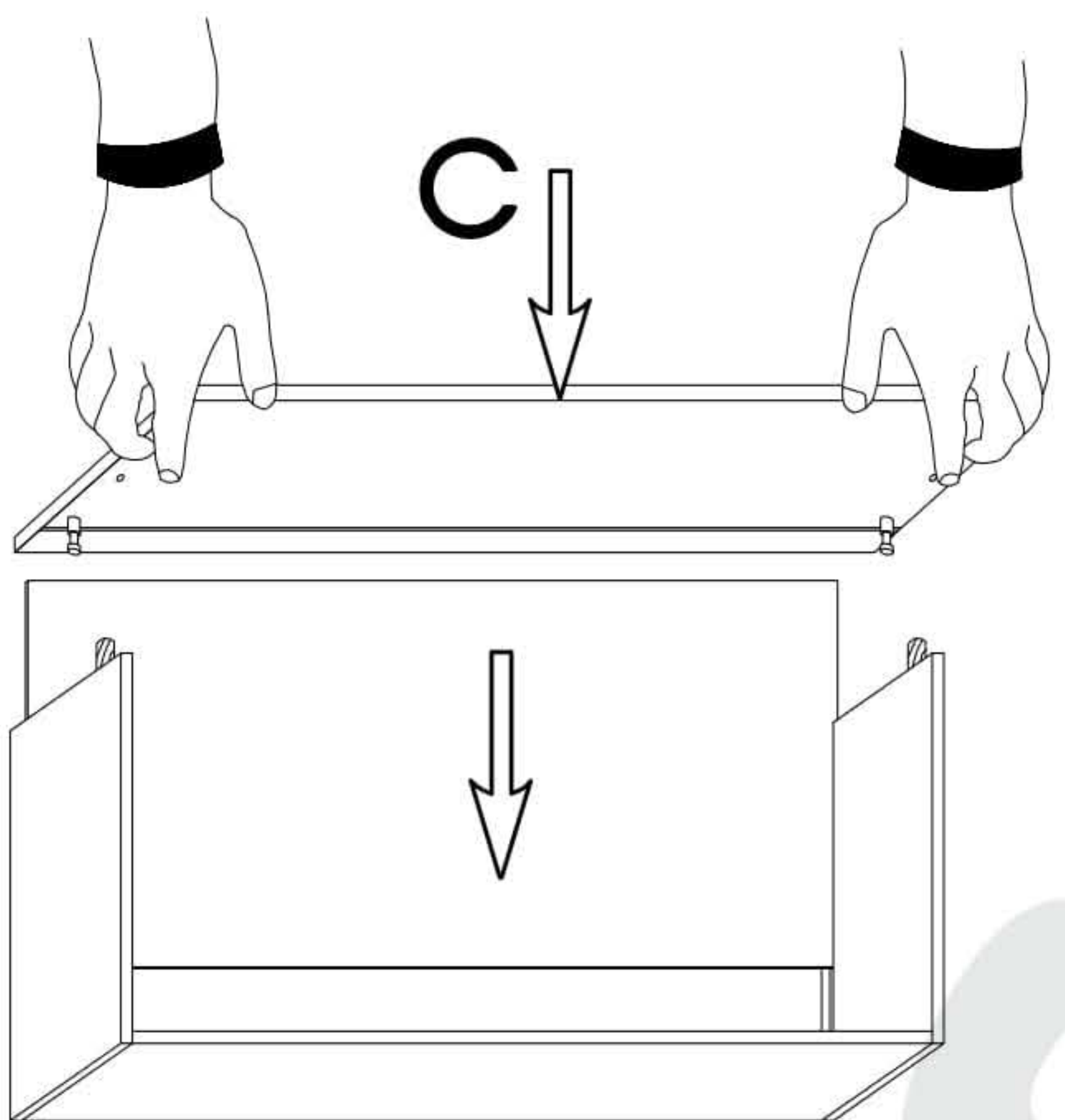
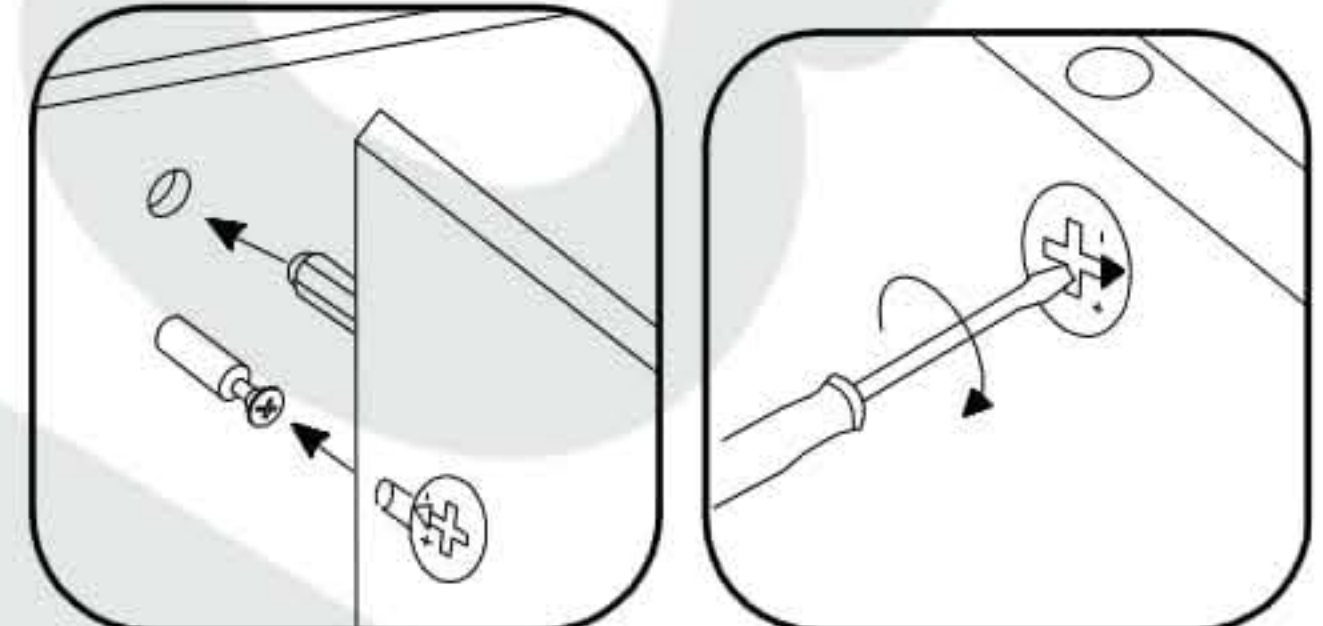
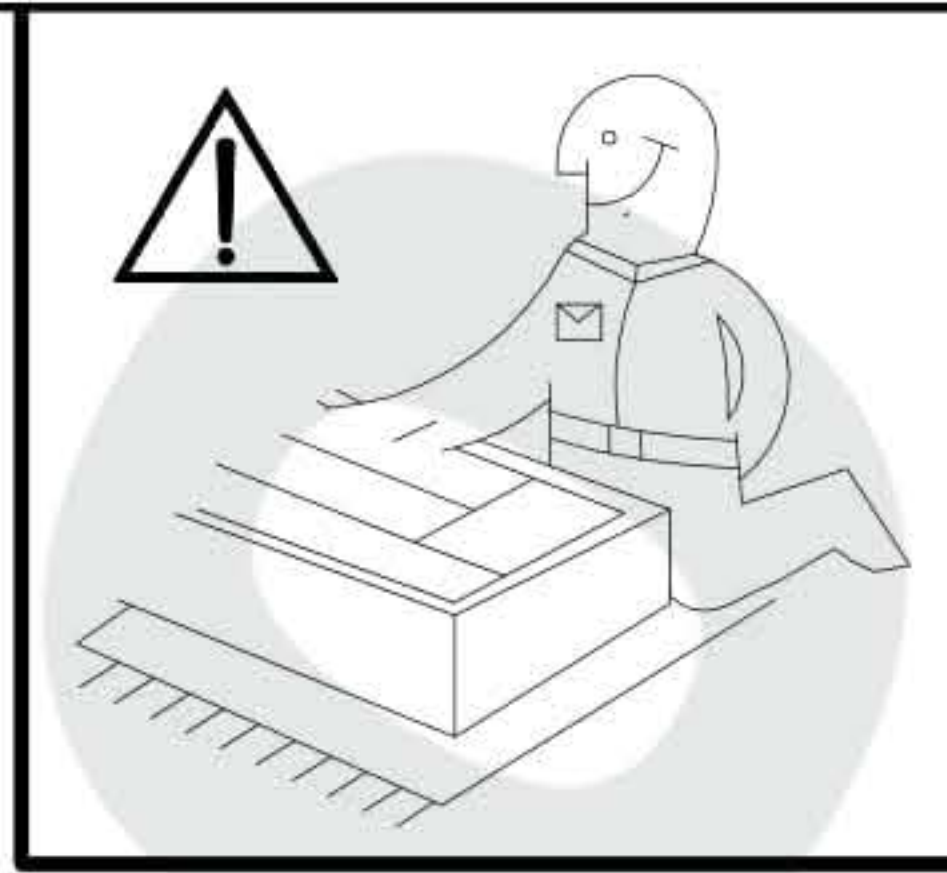
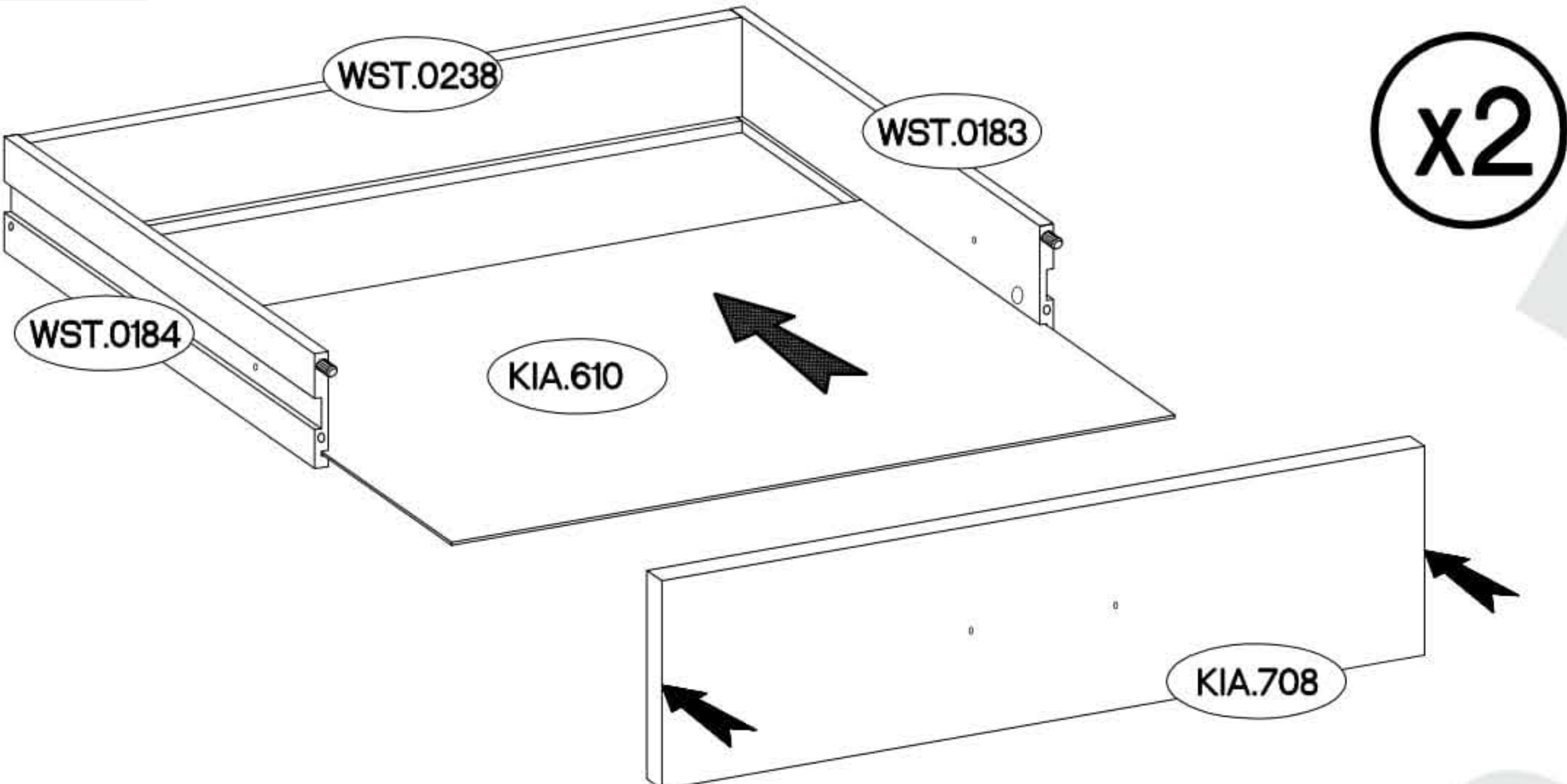
3

x2

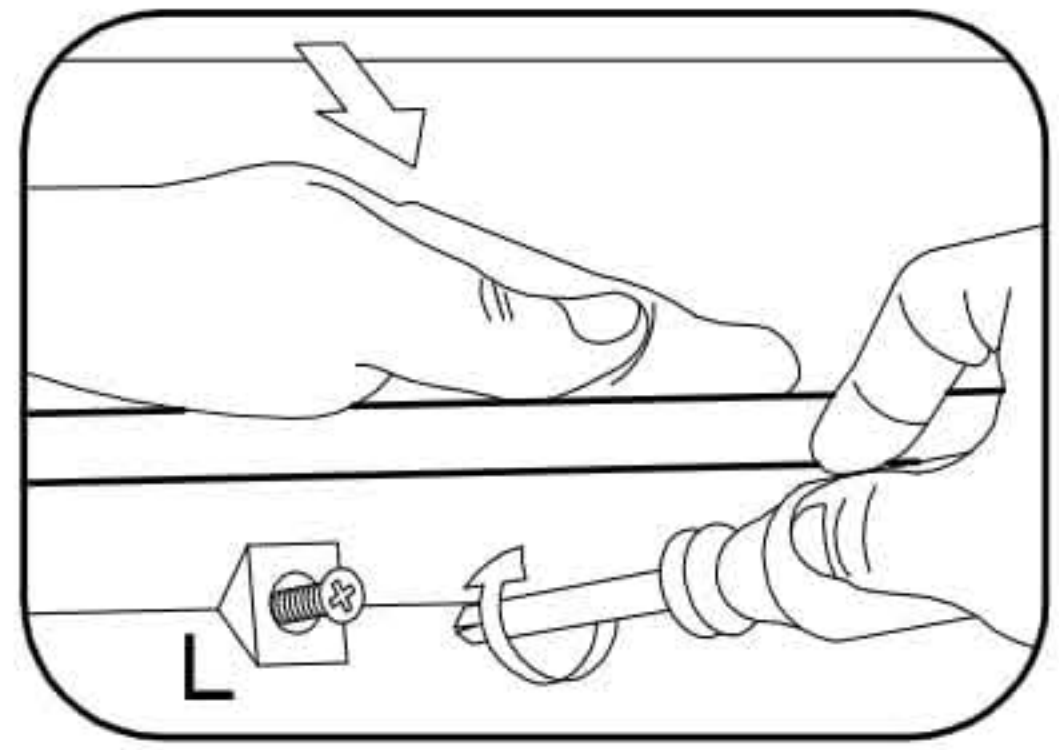
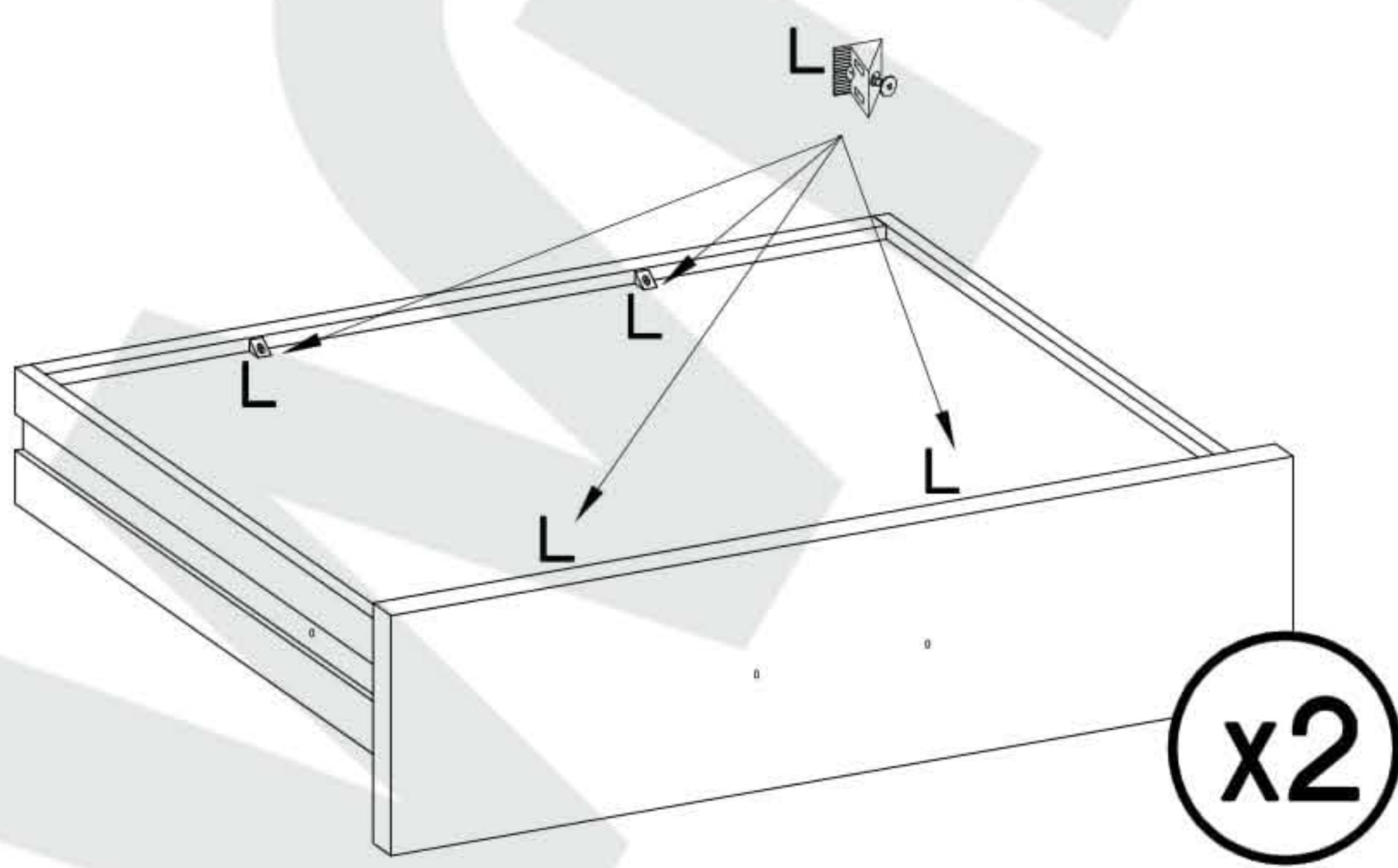
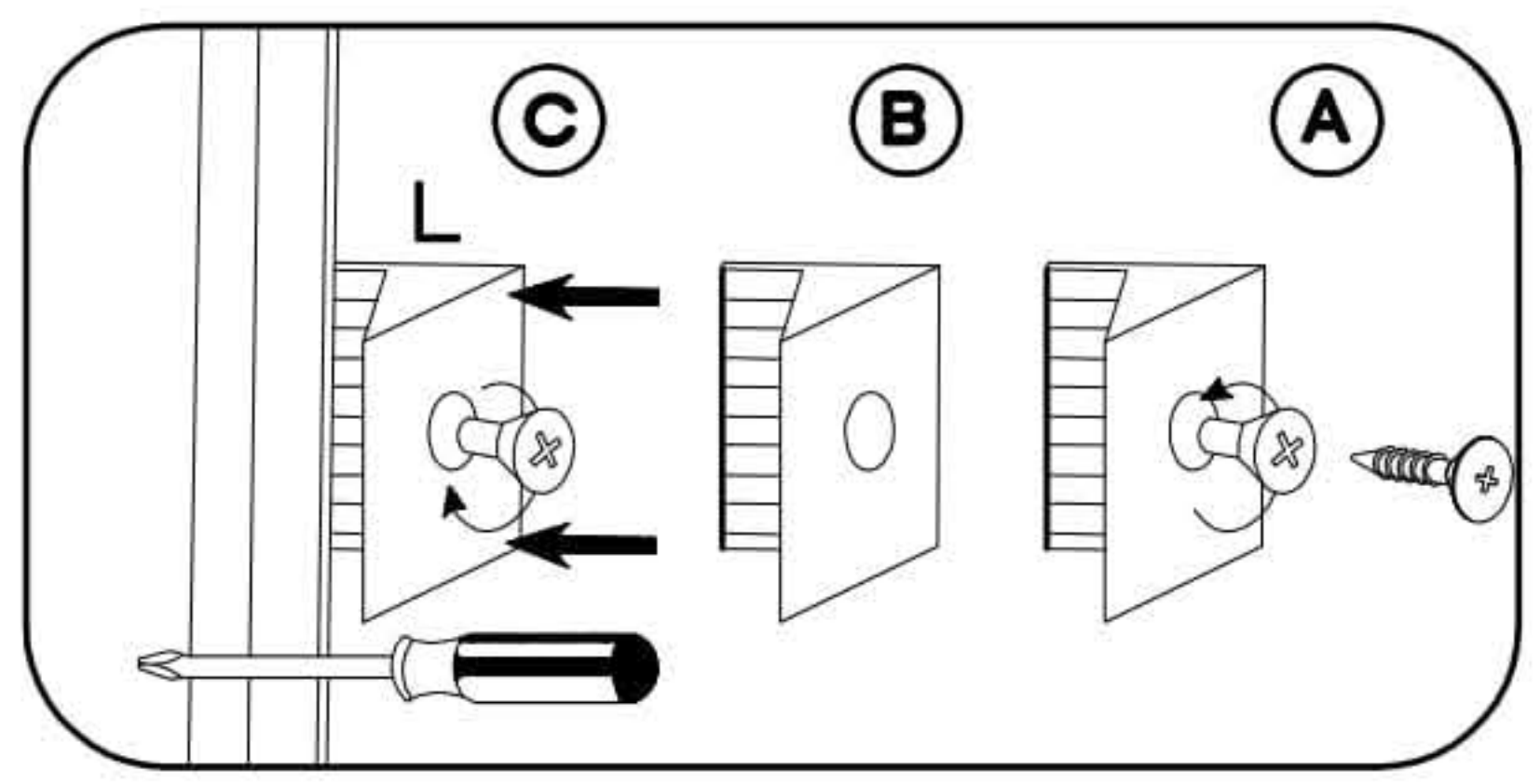
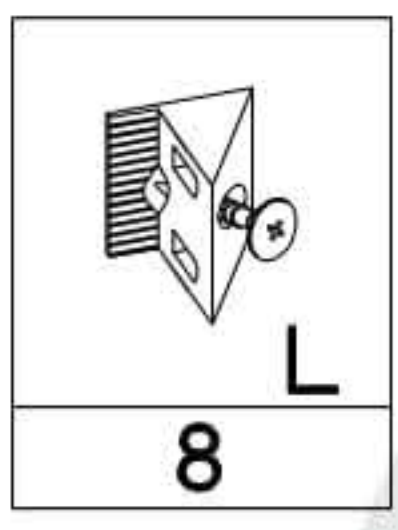
L=20mm  D2 4
--

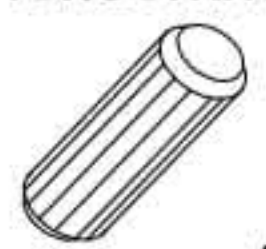
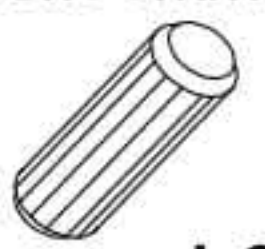





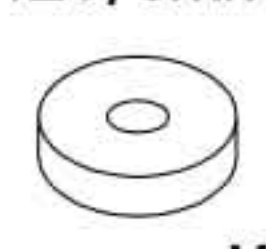
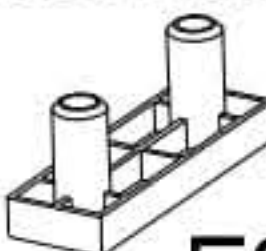


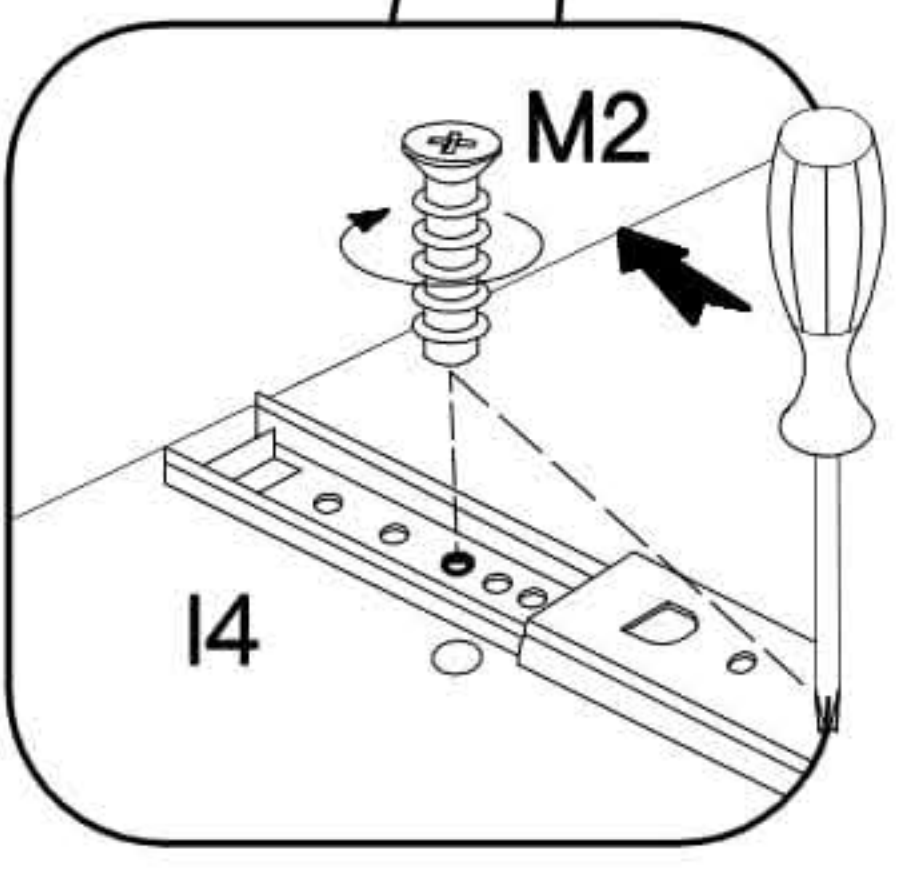
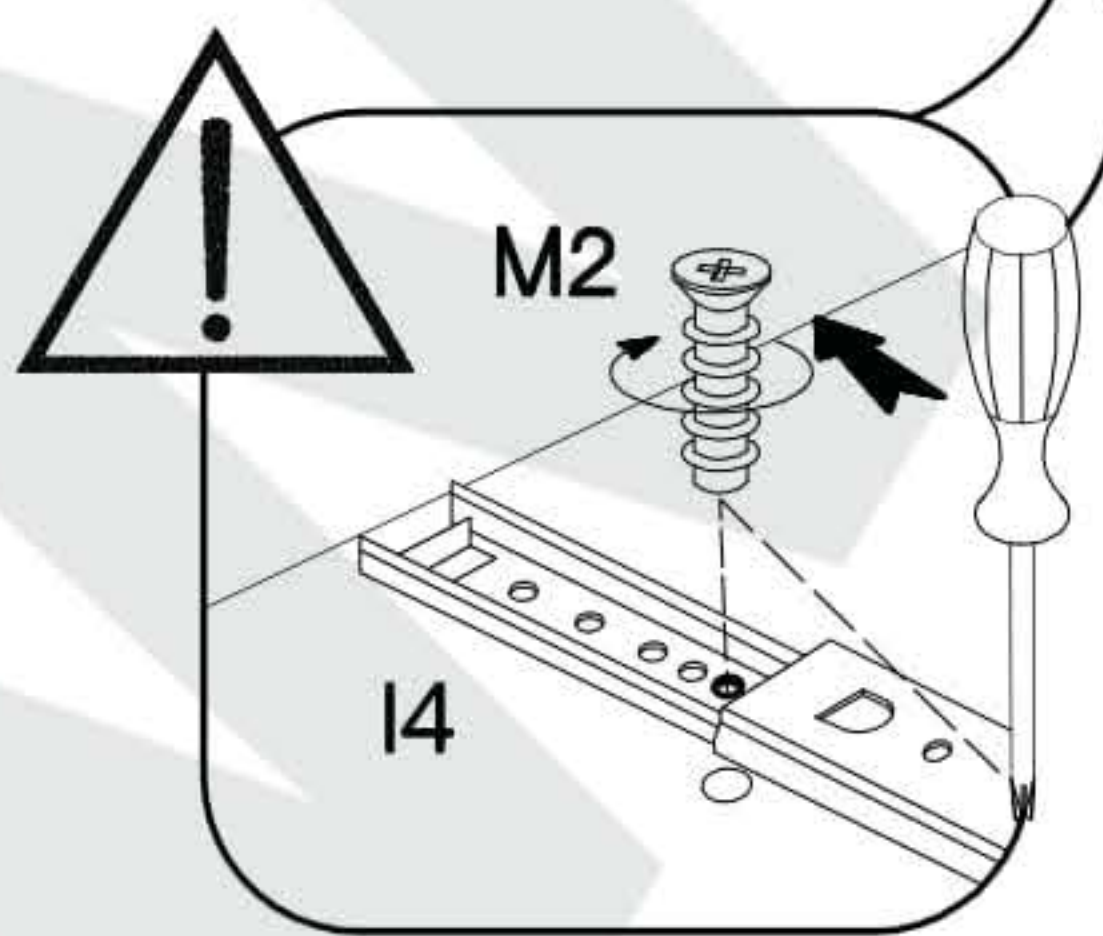
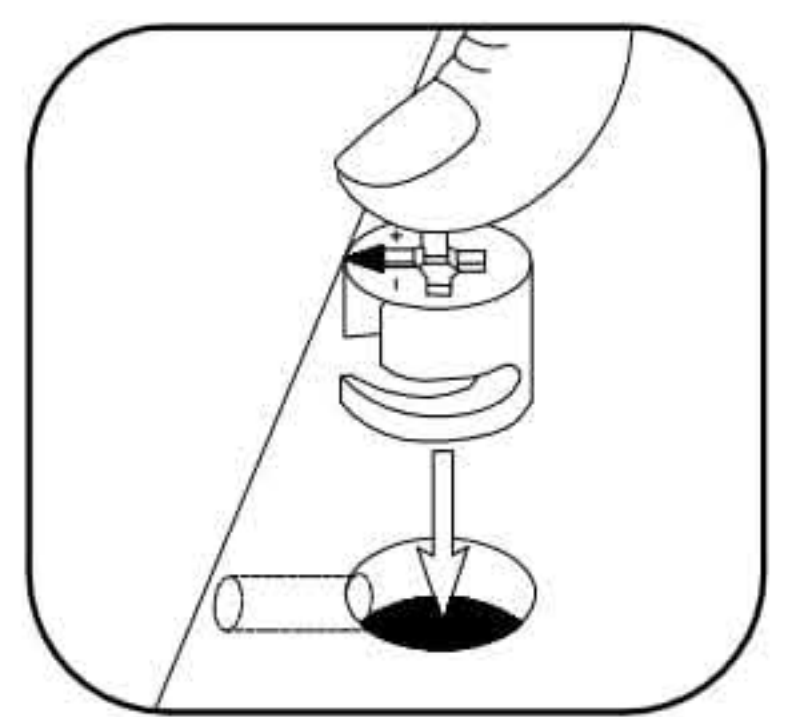
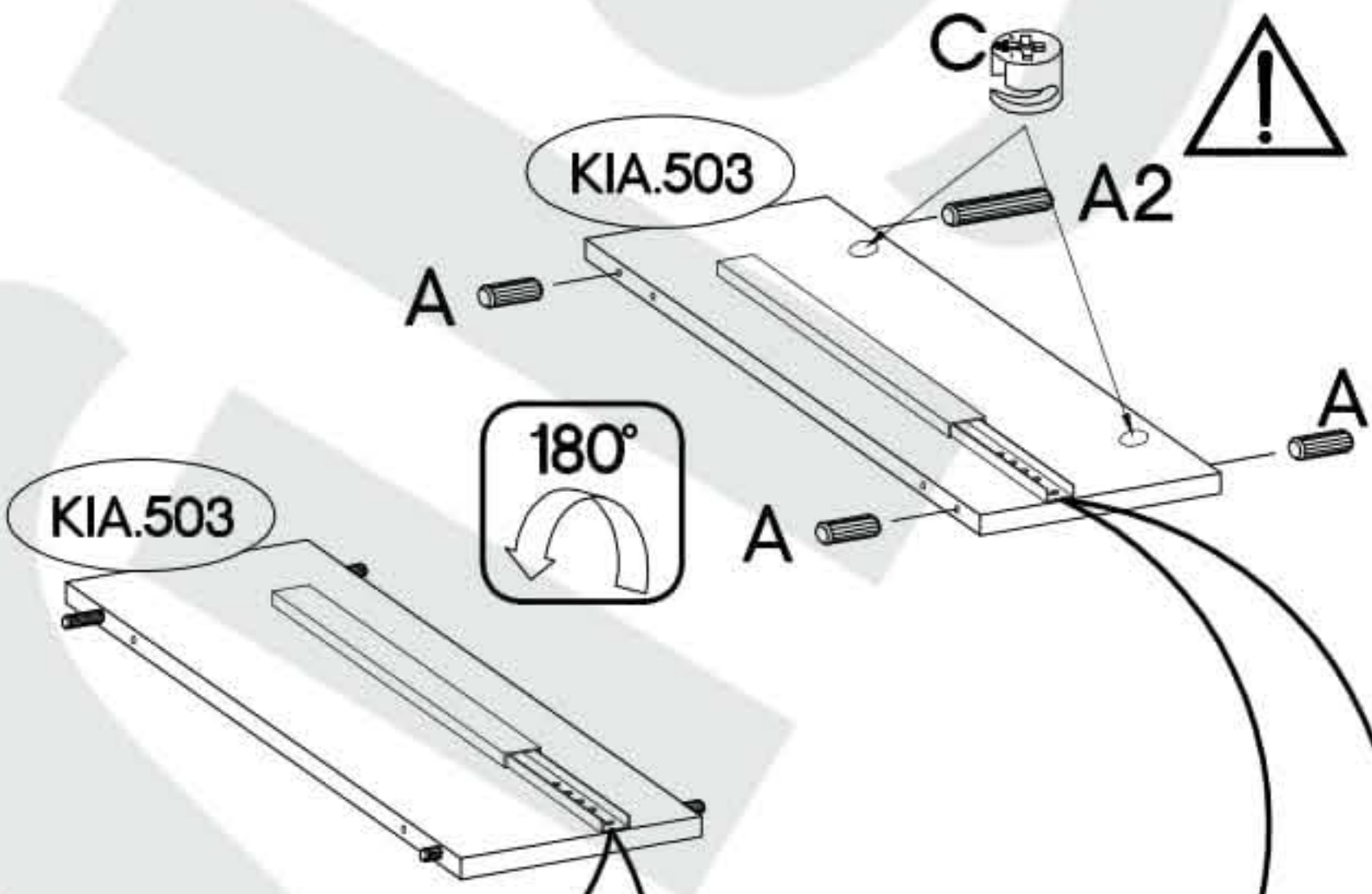
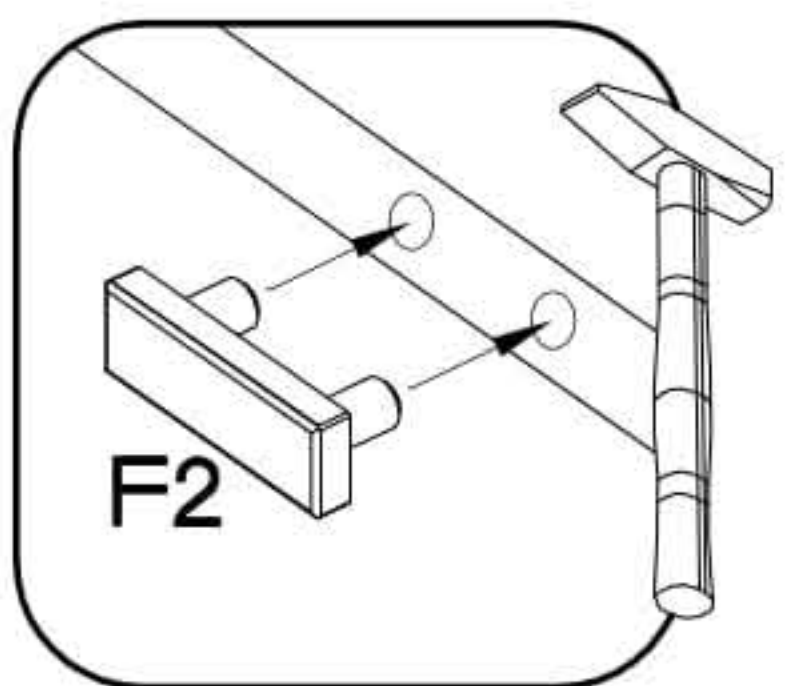
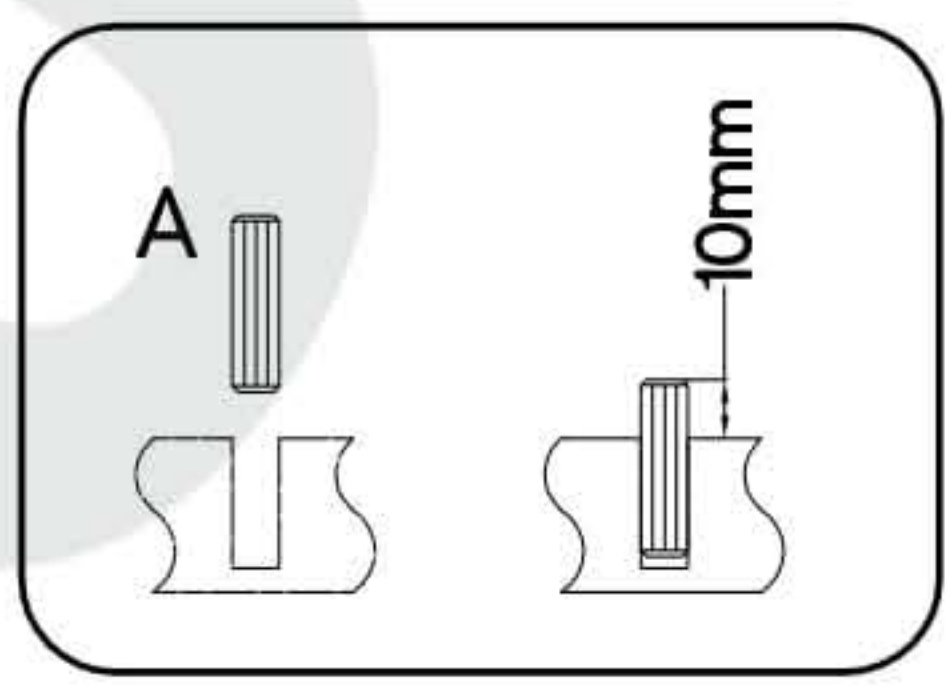
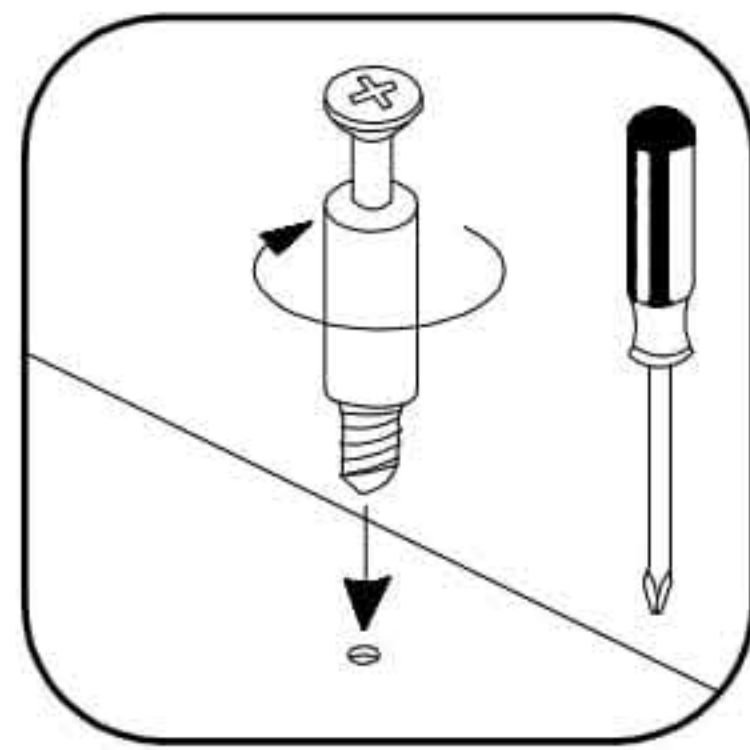
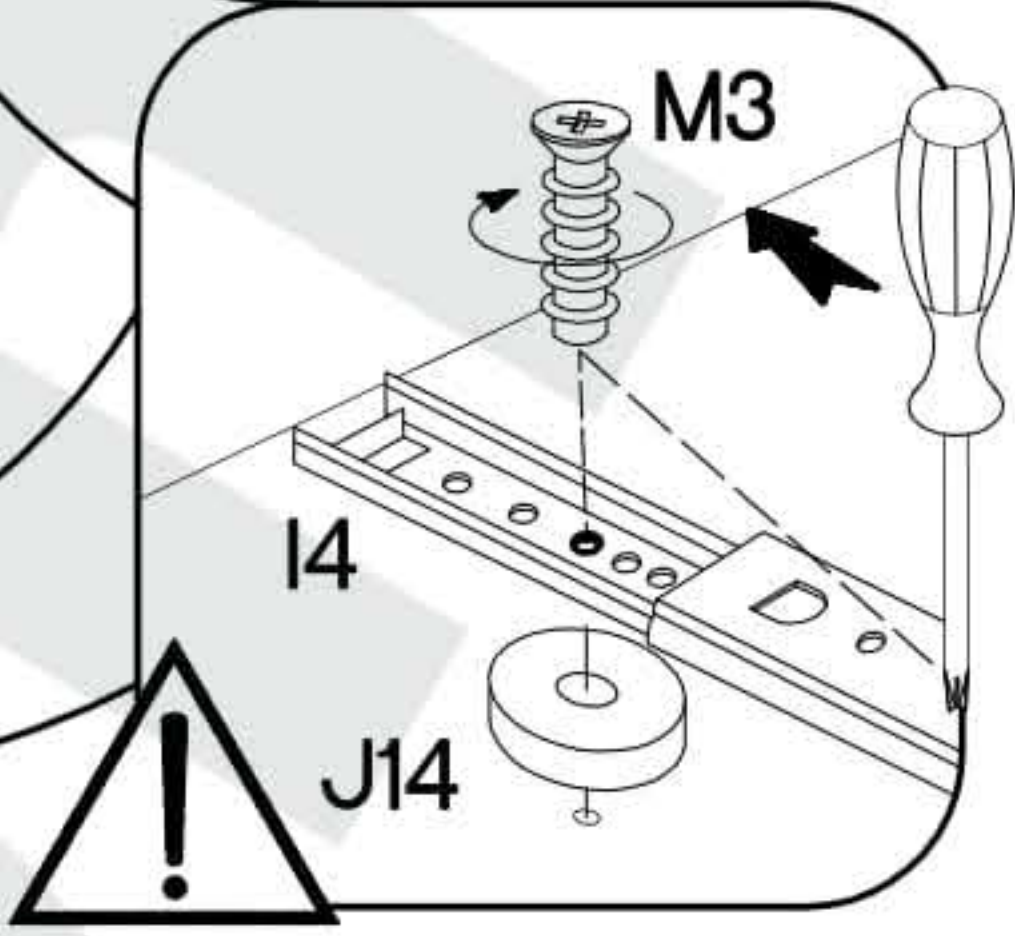
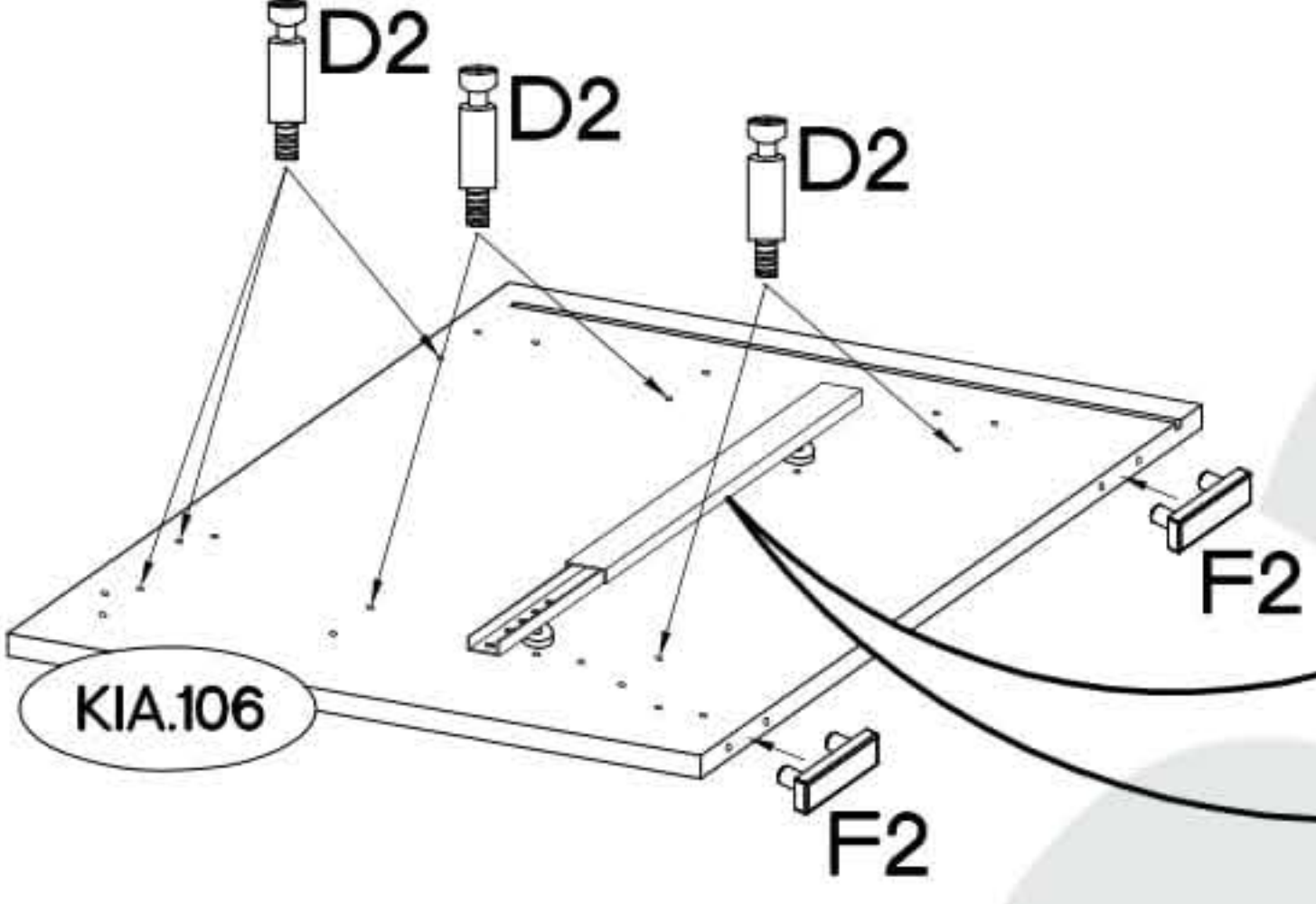
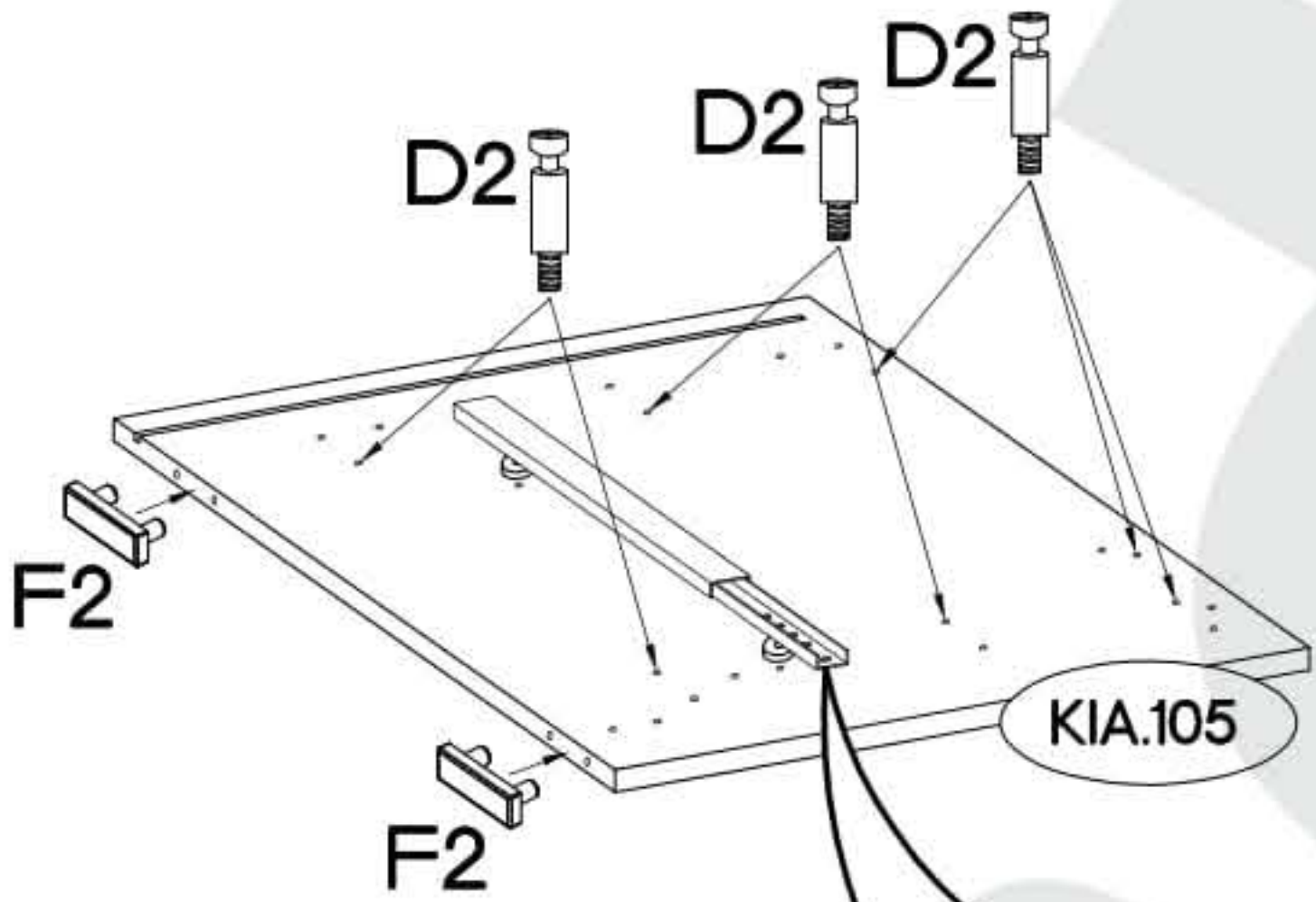
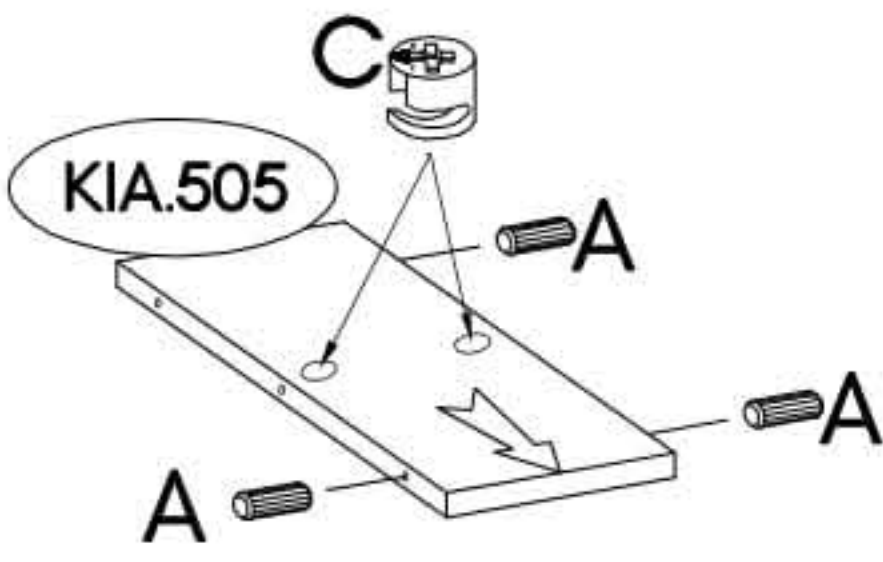
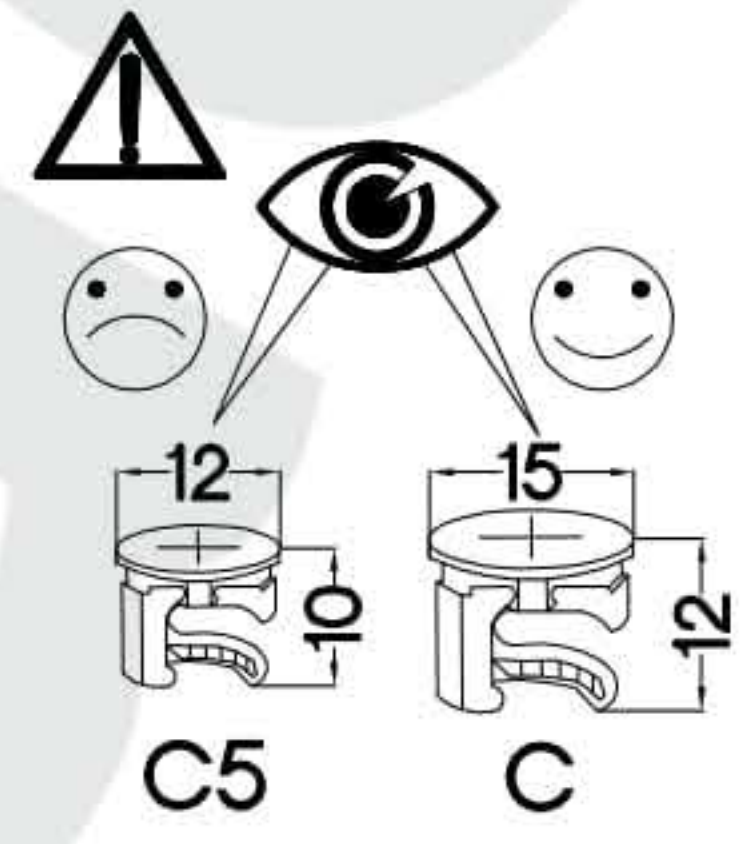
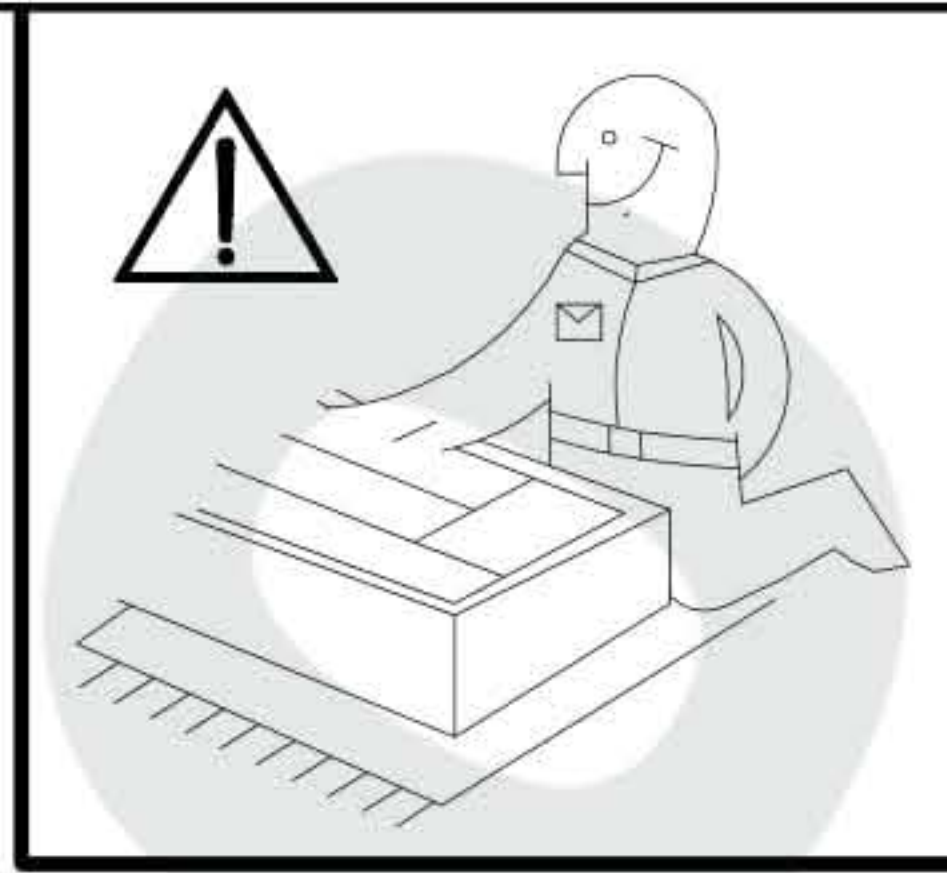
4




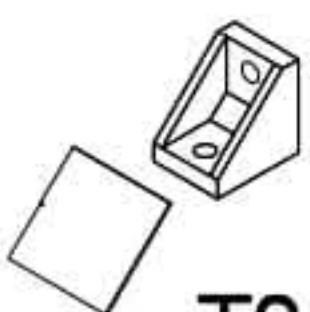




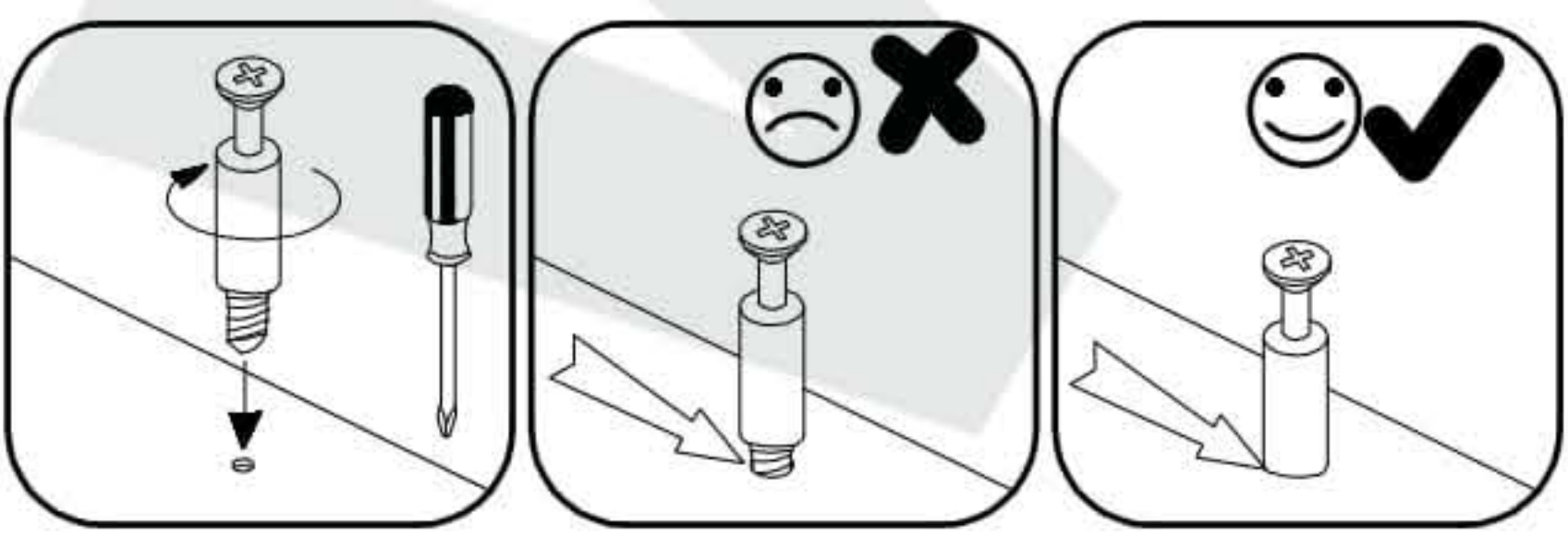
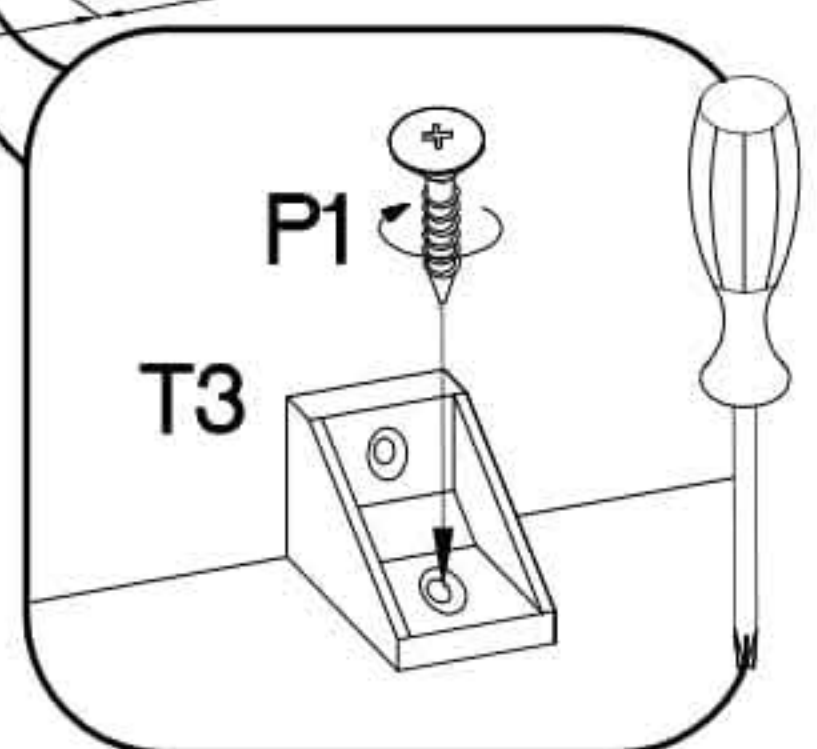
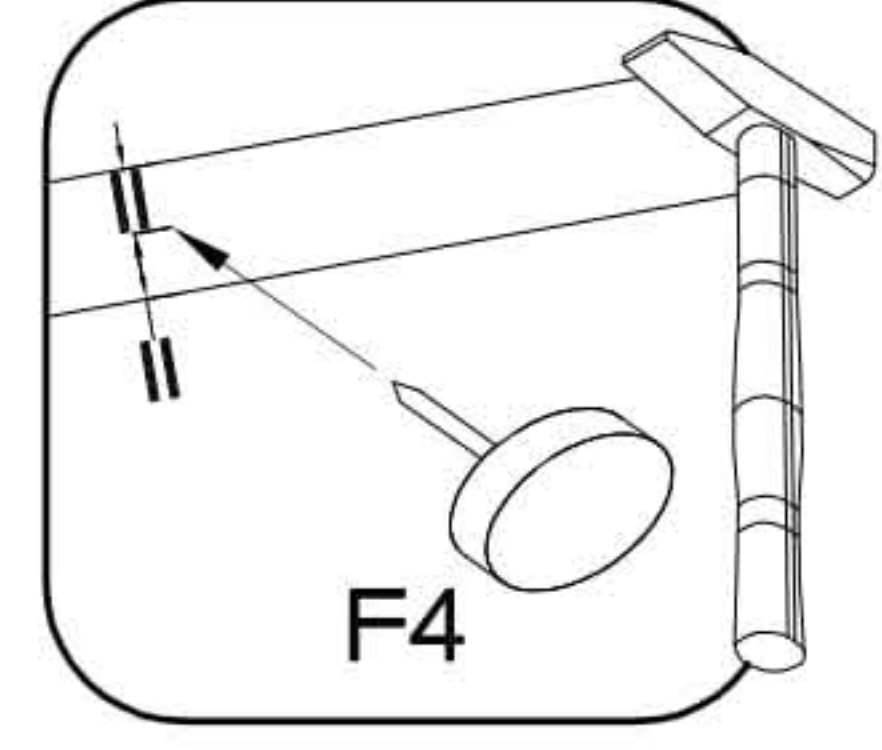
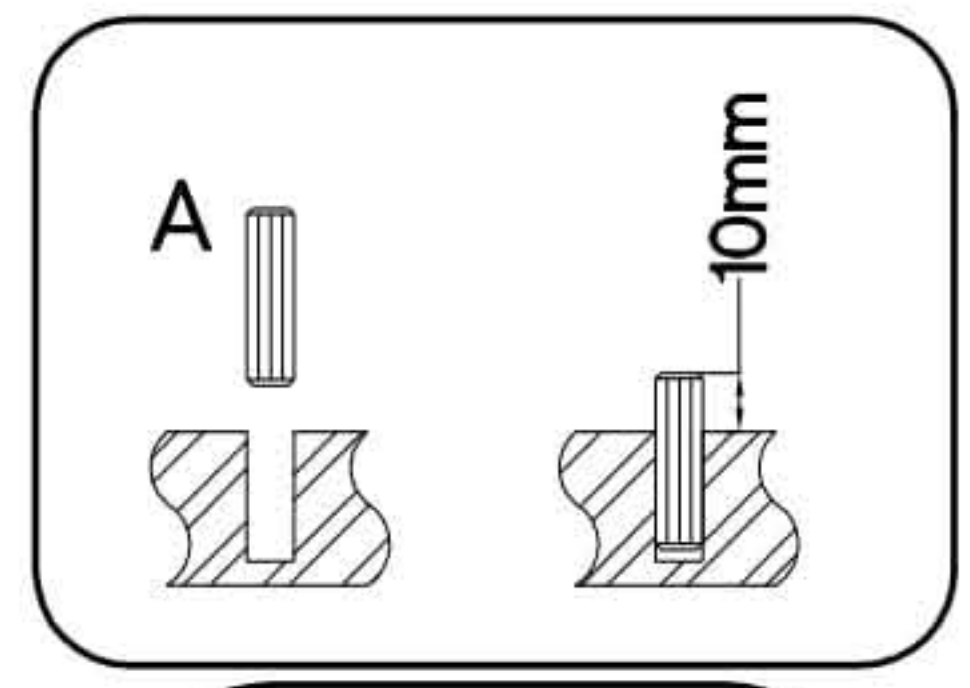
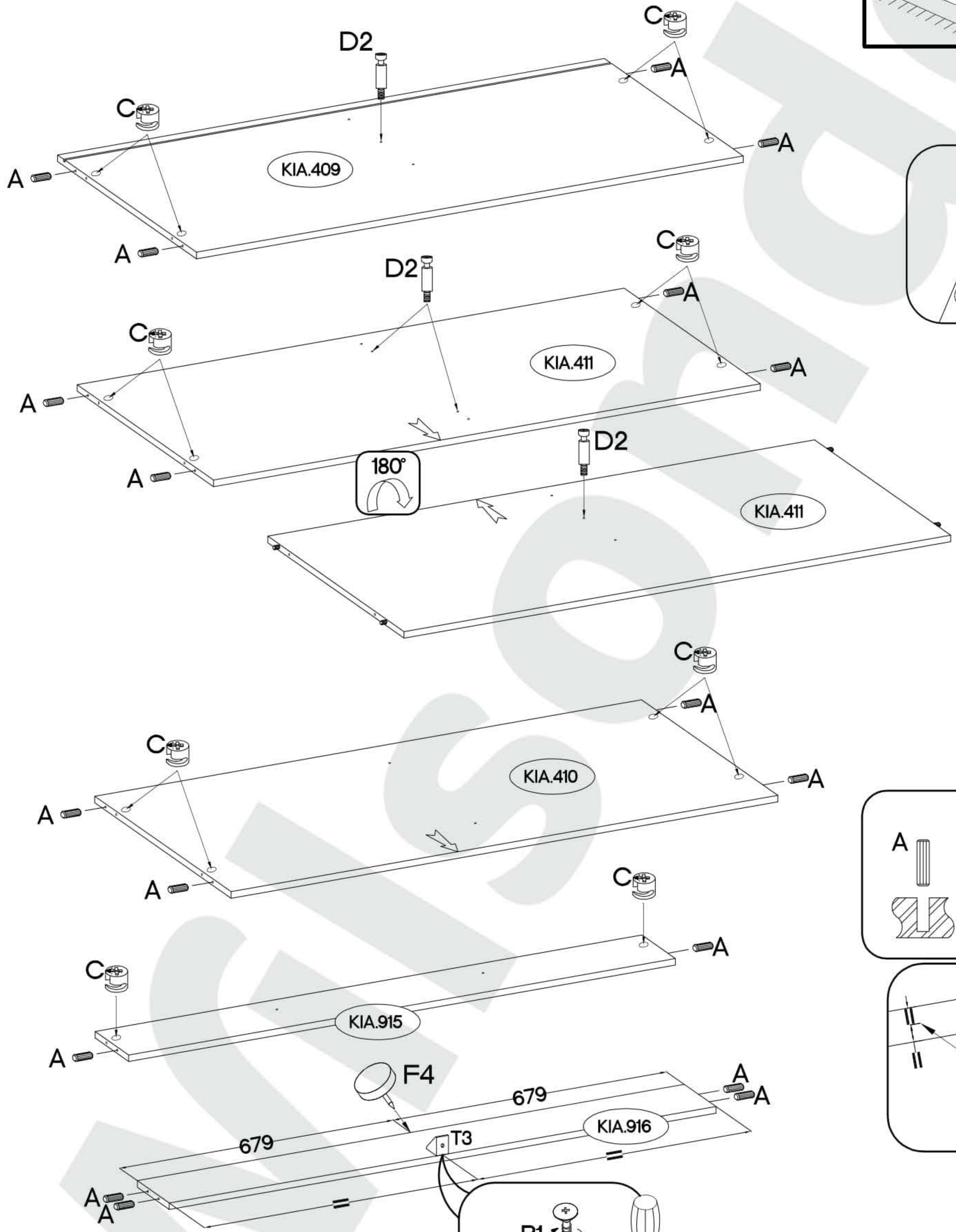
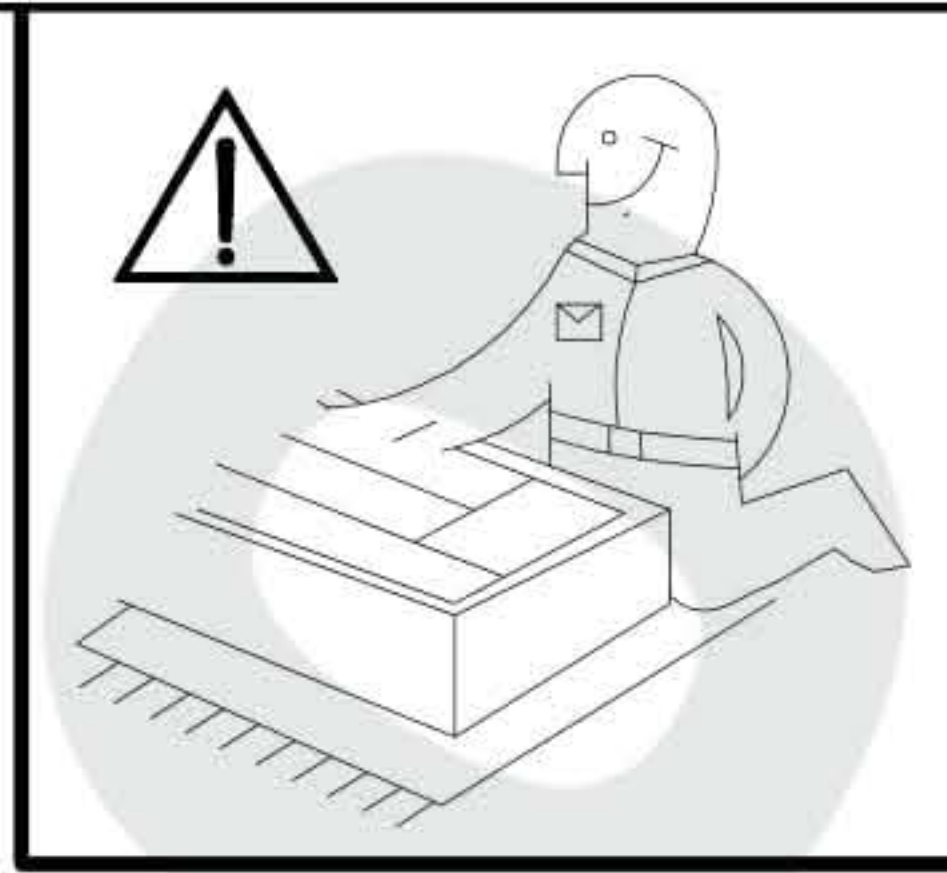
5



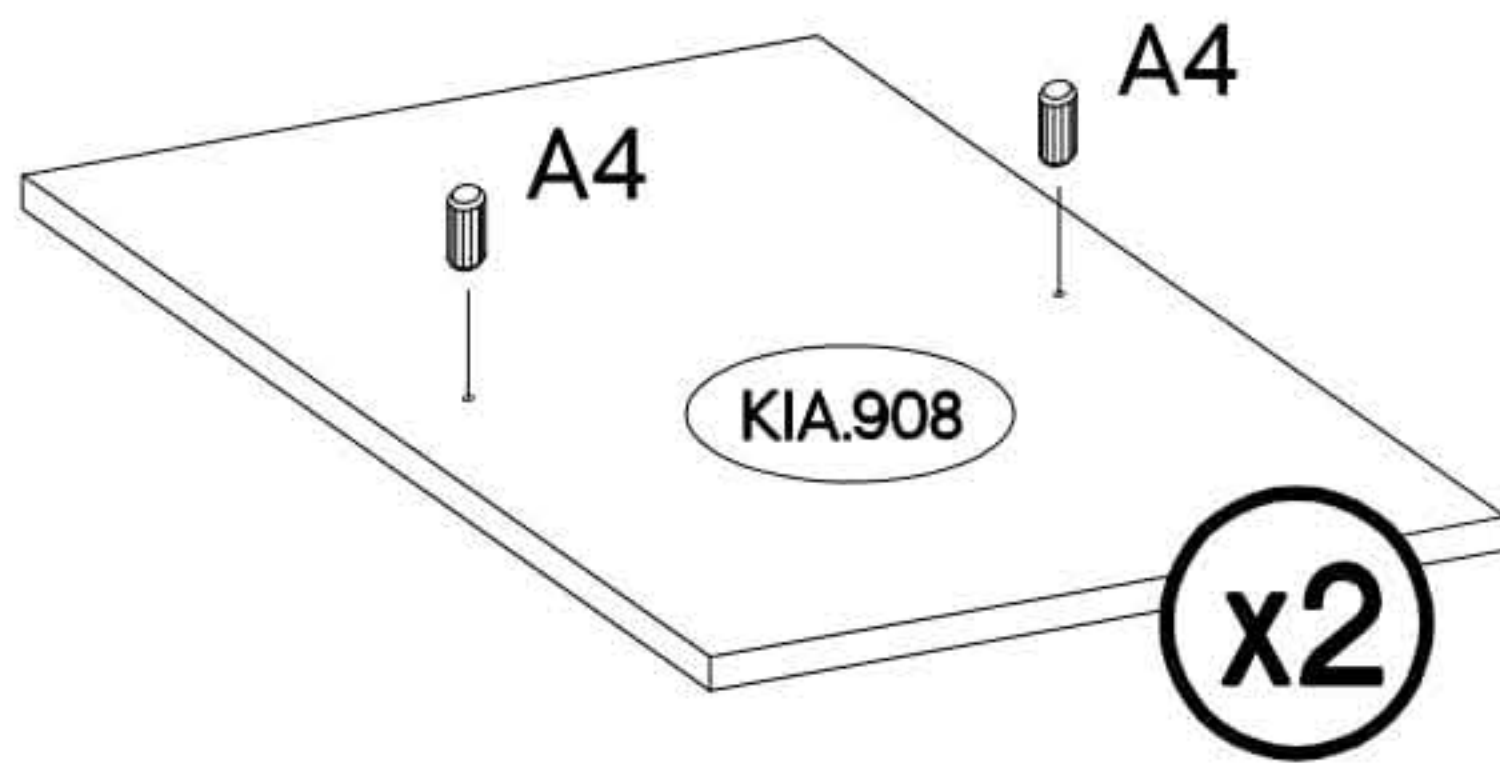
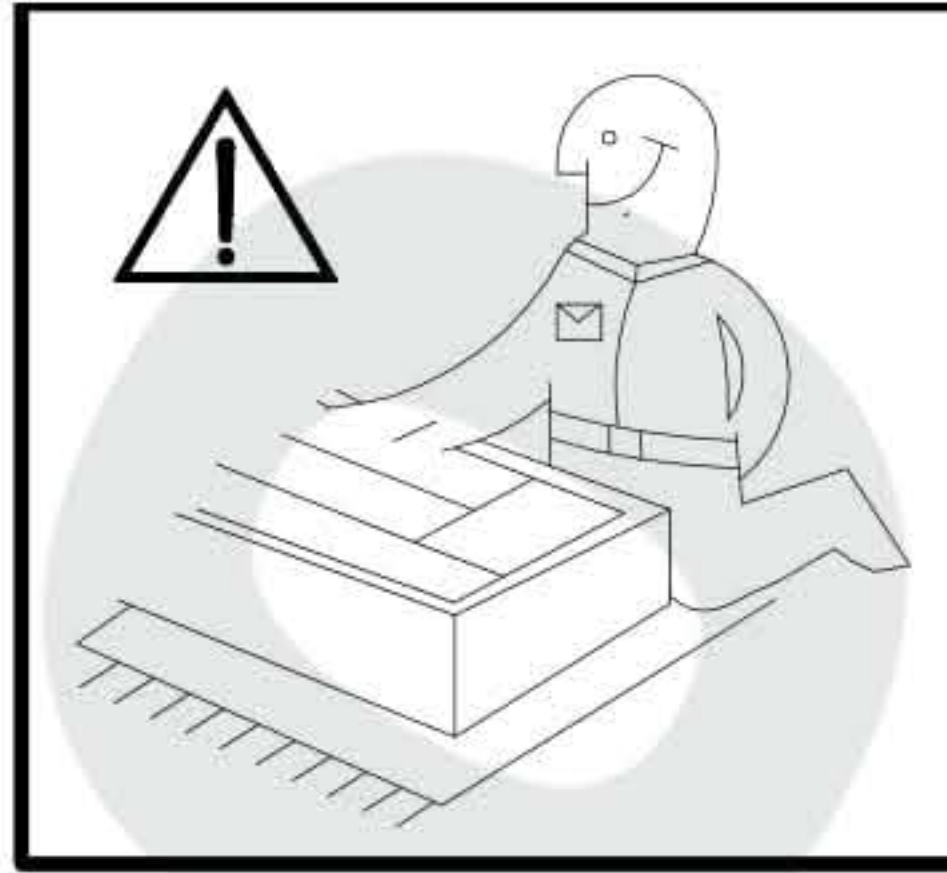
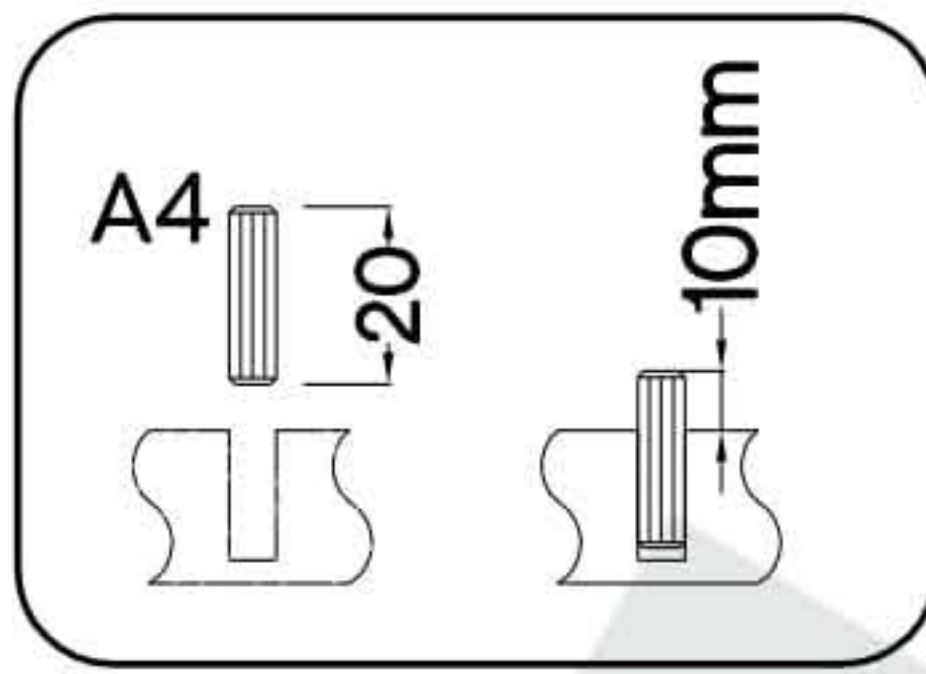
†8x30mm  A 6	†8x60mm  A2 1	L=20mm  D2 14	†15/12mm  C 4	27/310mm  I4 2	†6,3x13mm  M2 4	†6.3x20mm  M3 4	†20/8mm  J14 4
6.5x48x16  F2 4							



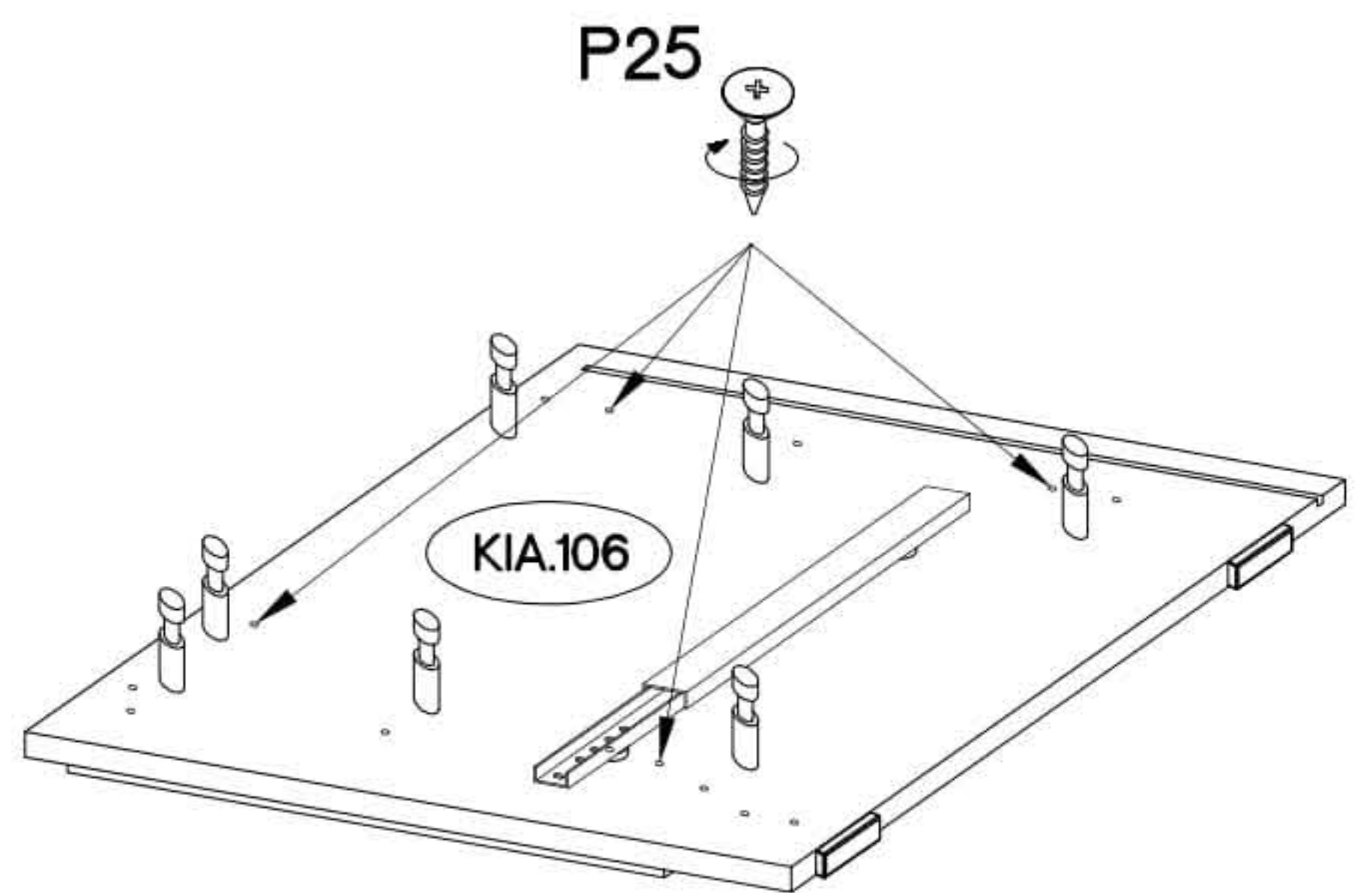
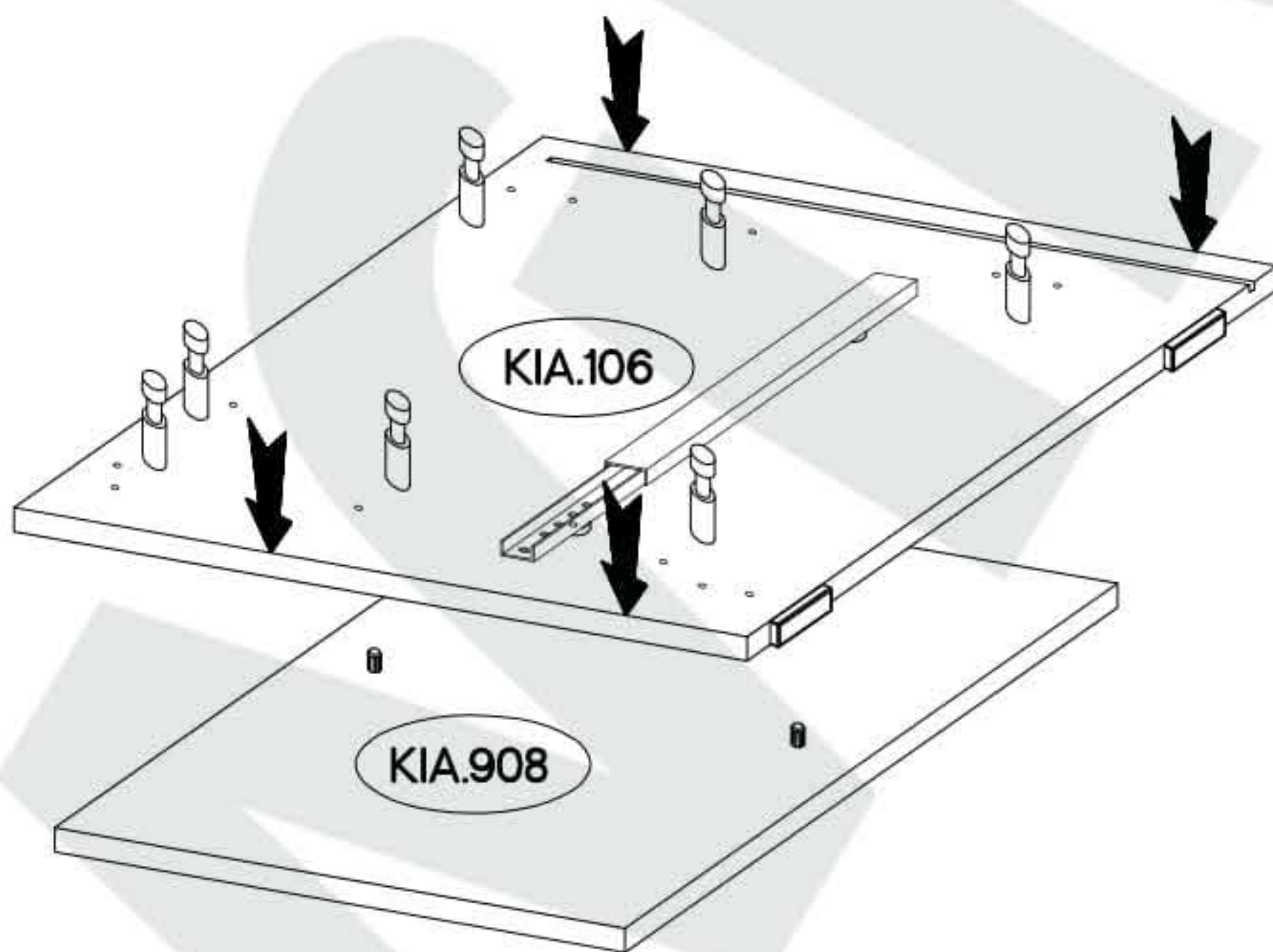
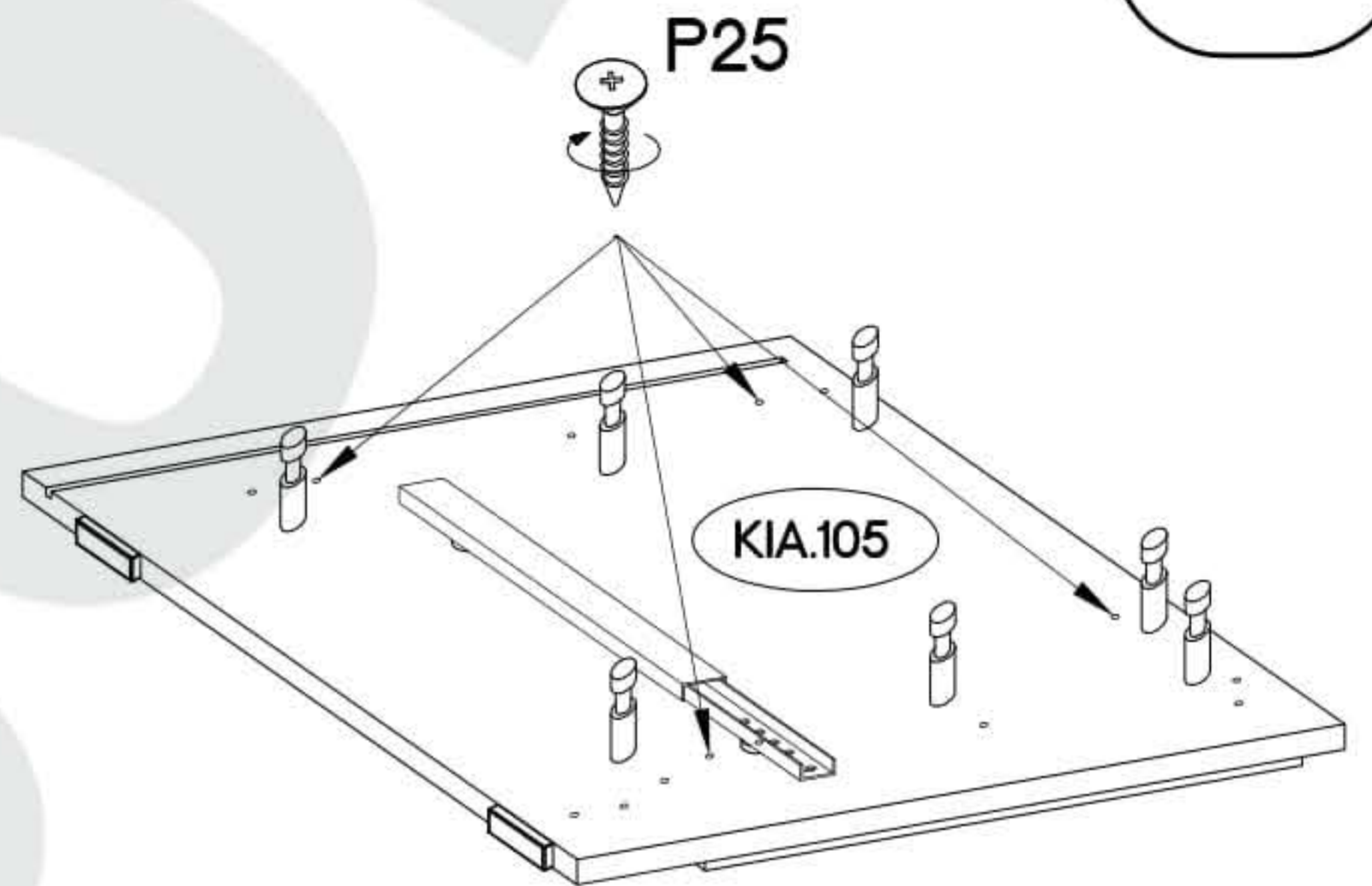
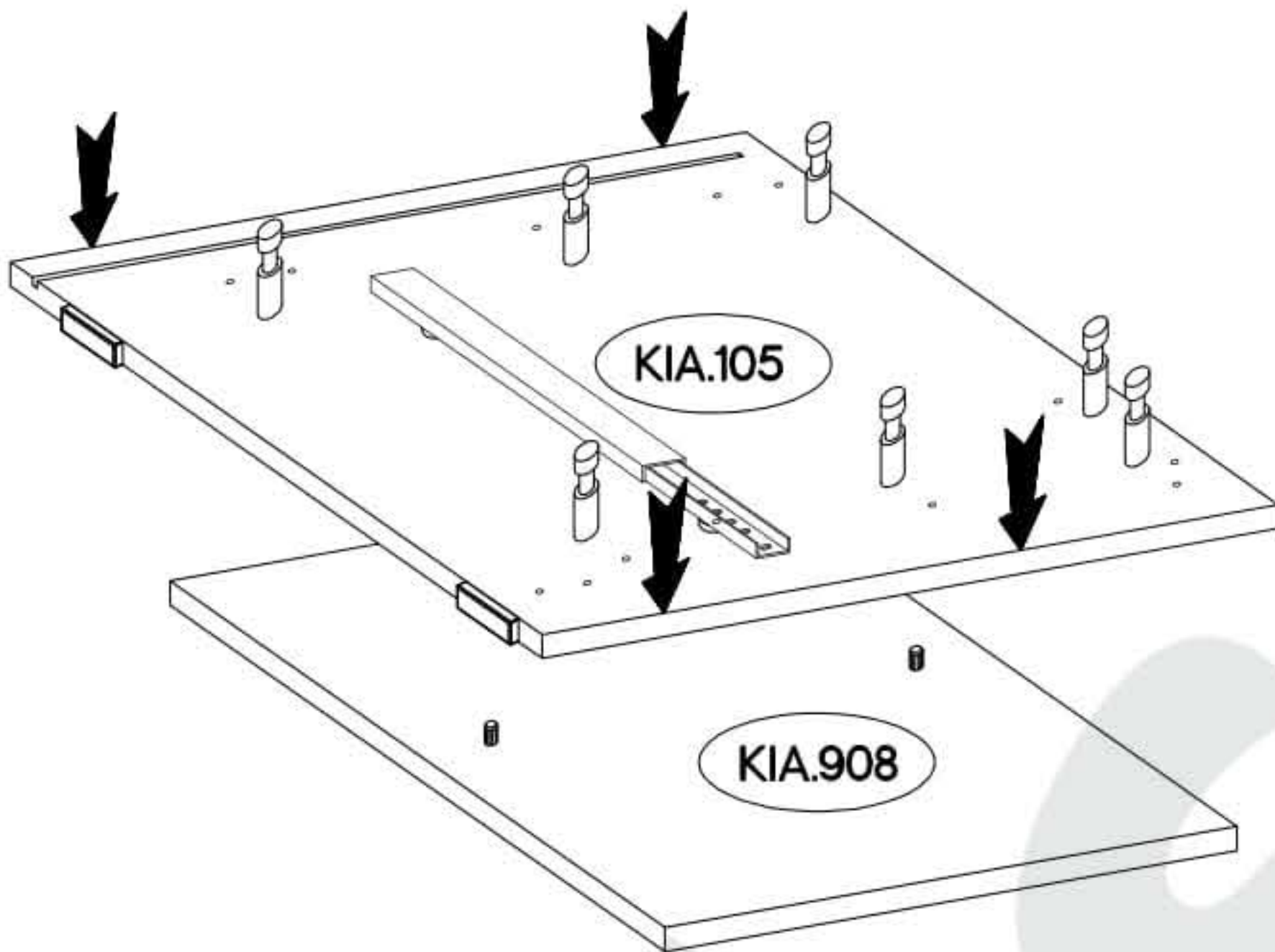
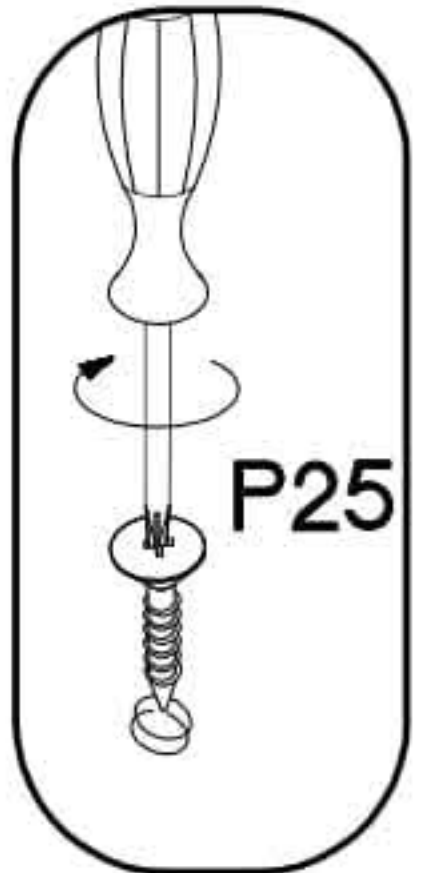
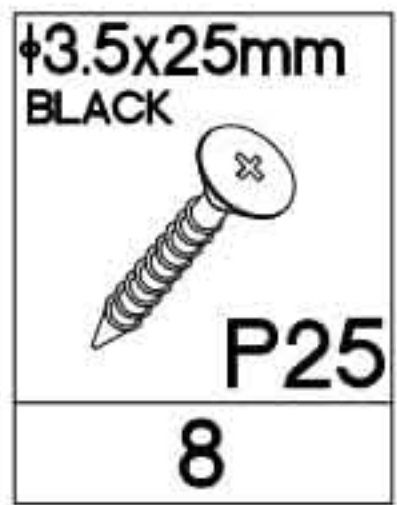
†8x30mm  A	L=20mm  D2	†15/12mm  C	 T3	†4.0x16mm  P1	†15x5mm  F4
18	4	14	1	1	1

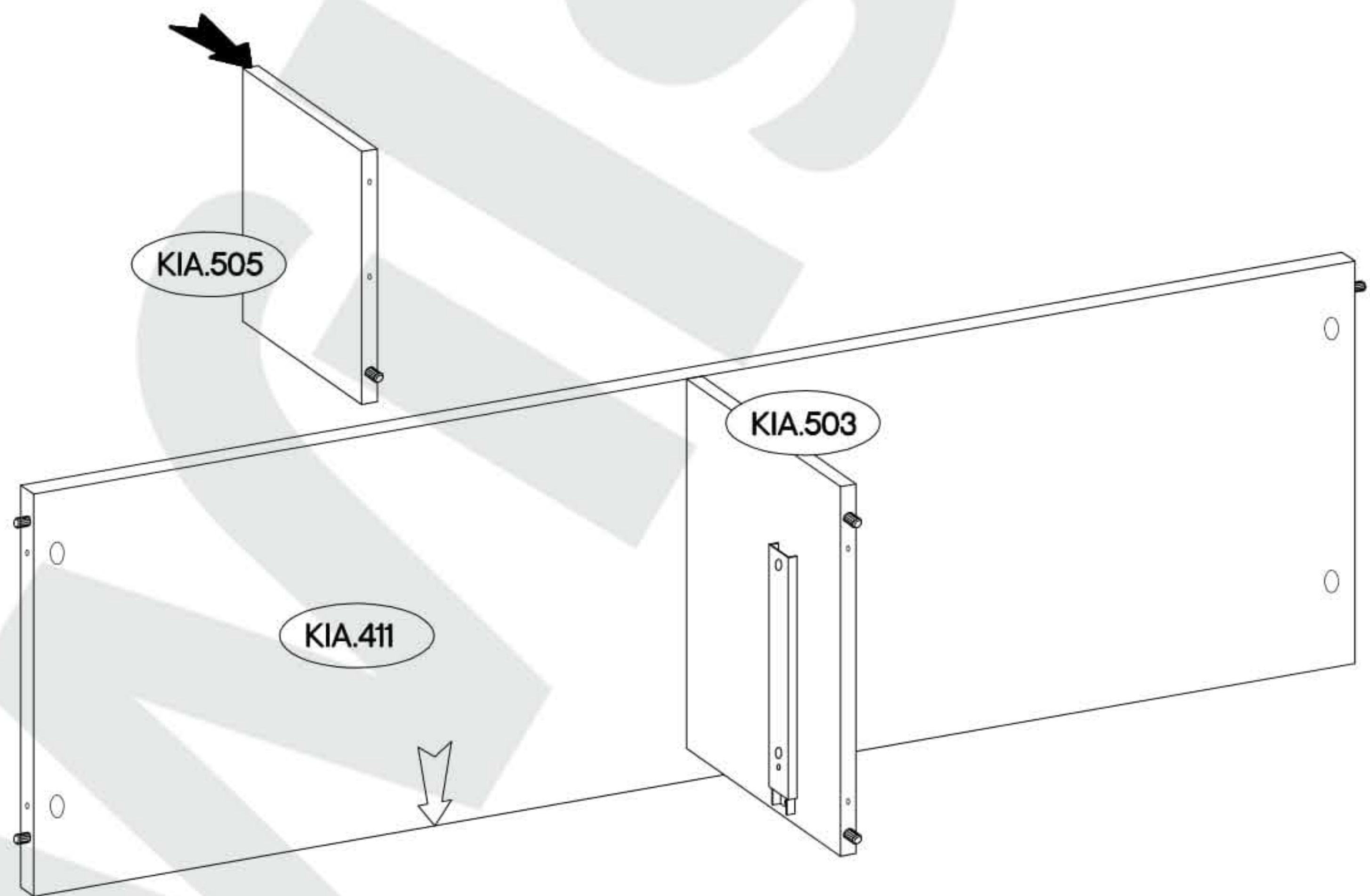
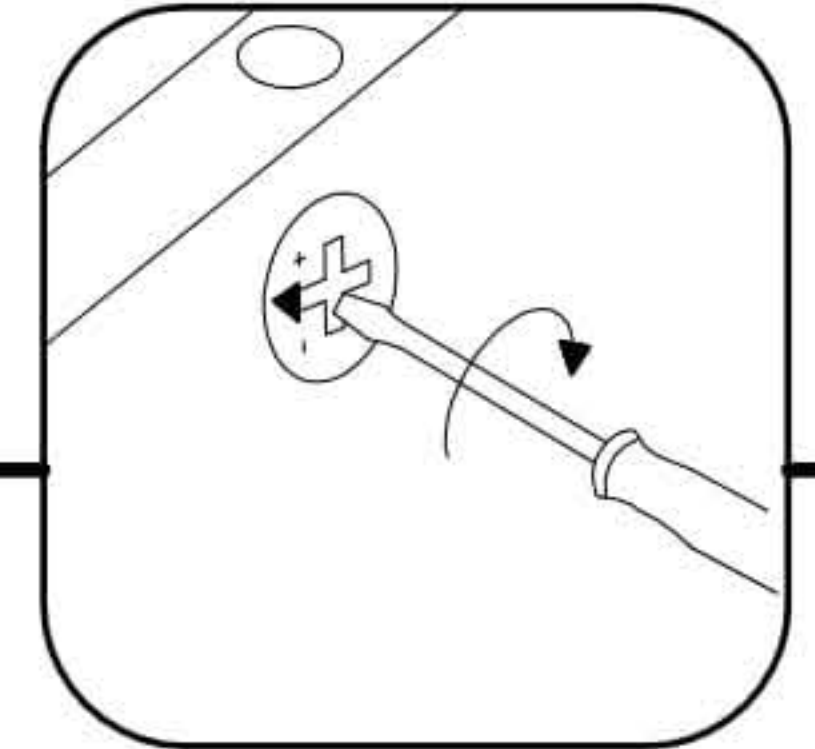
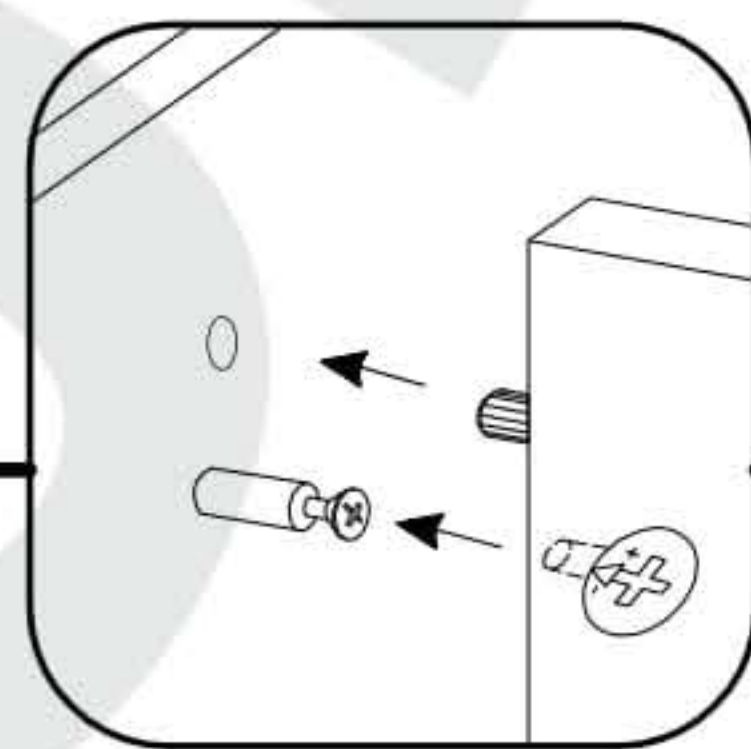
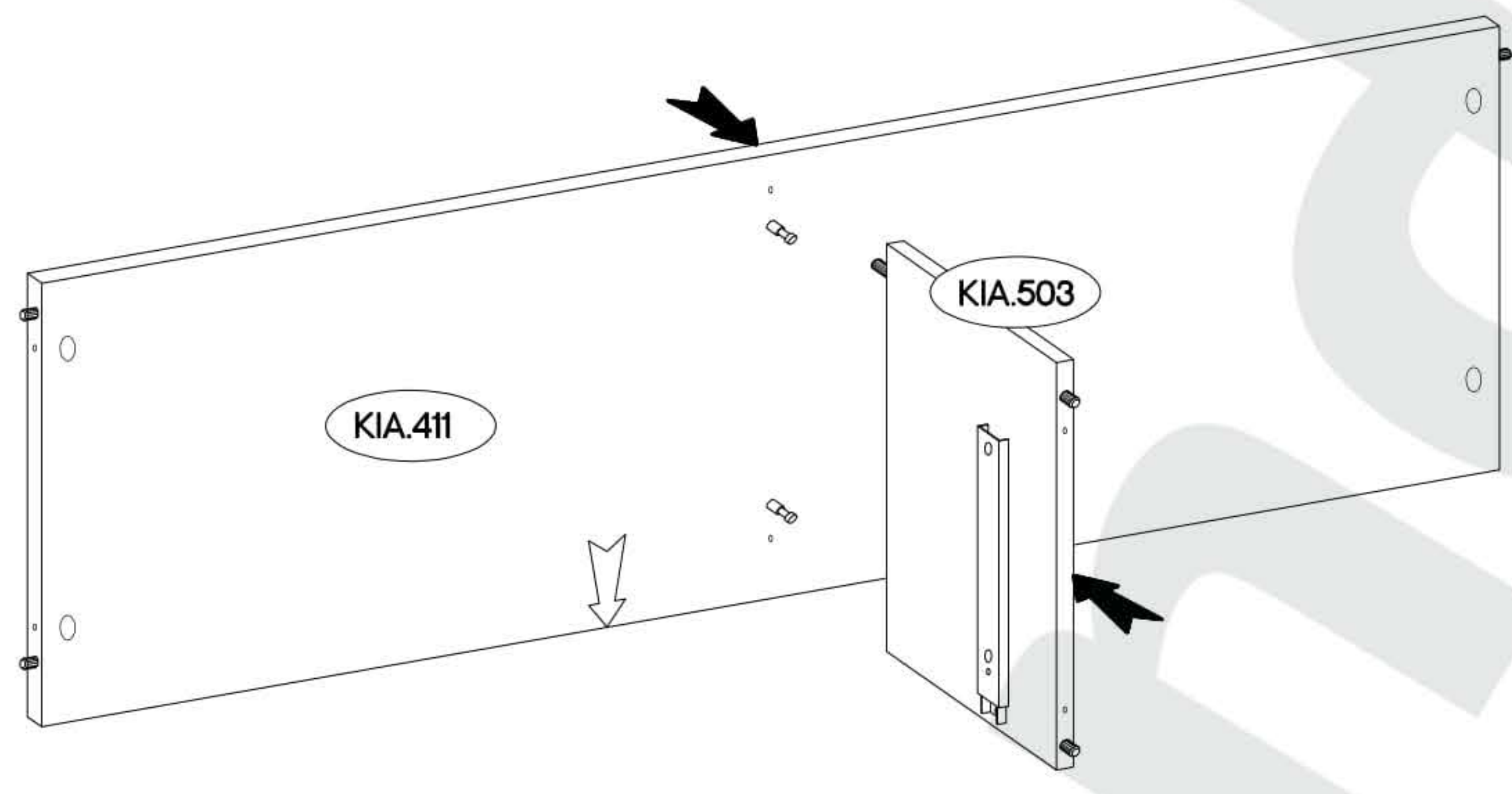
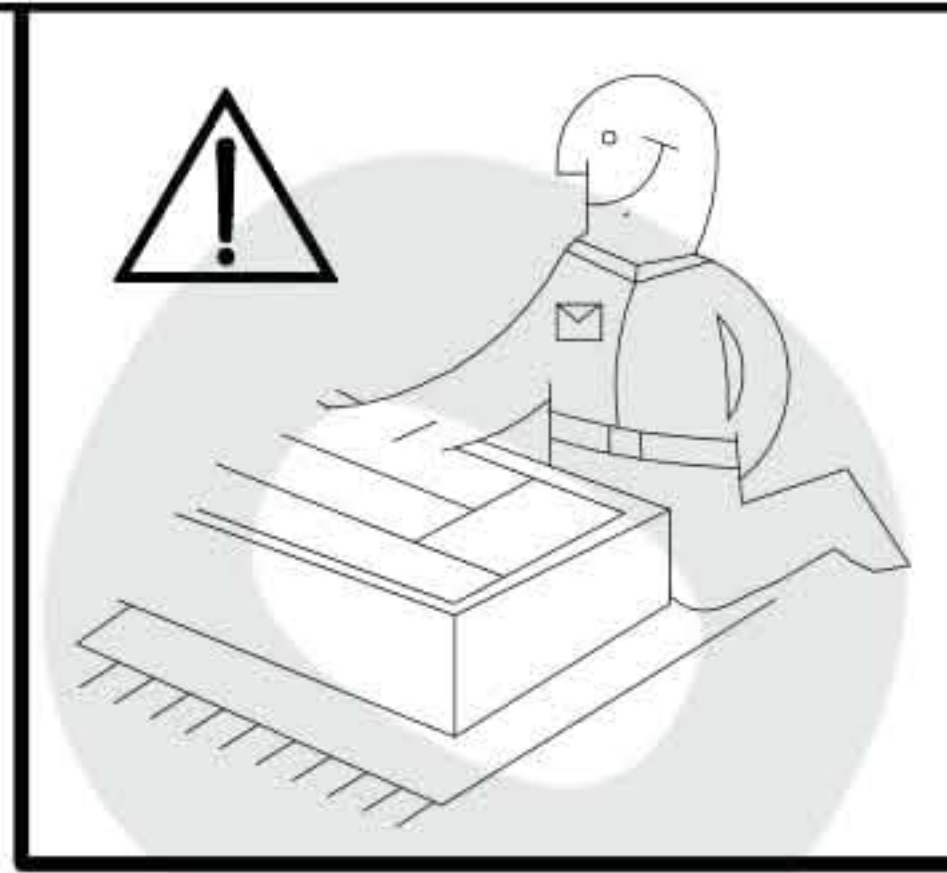


8

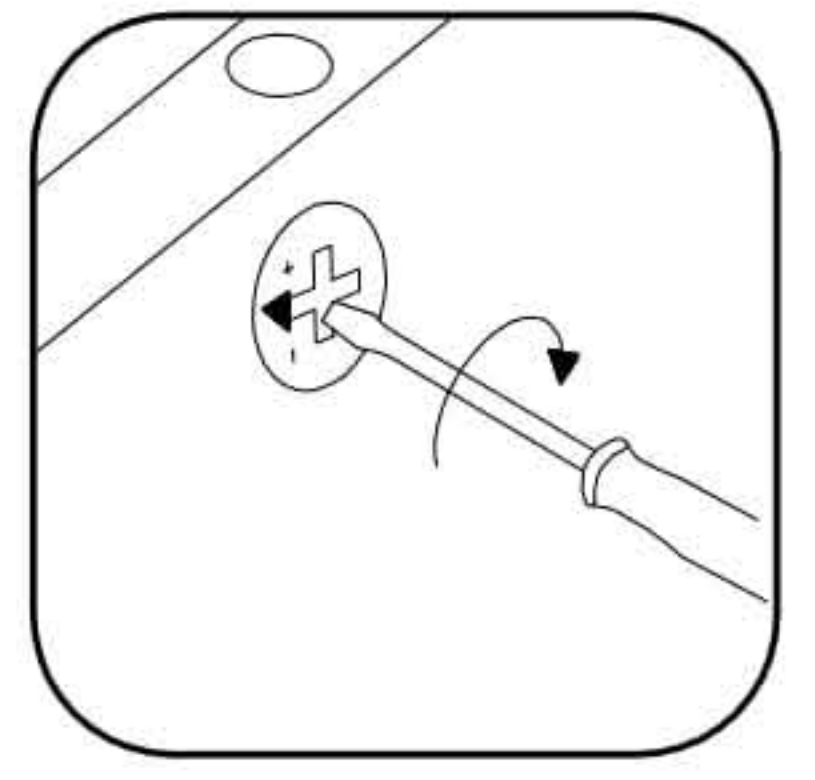
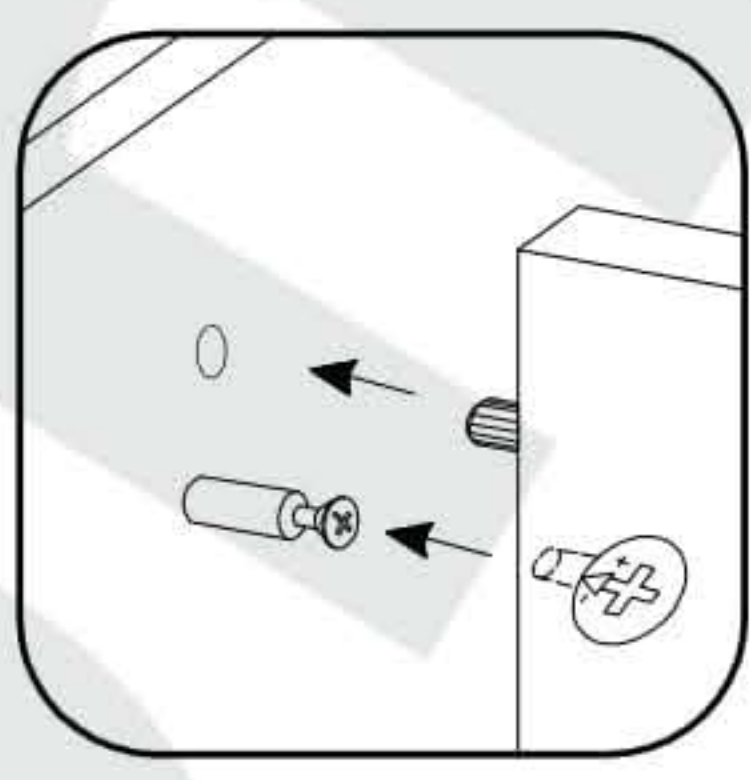
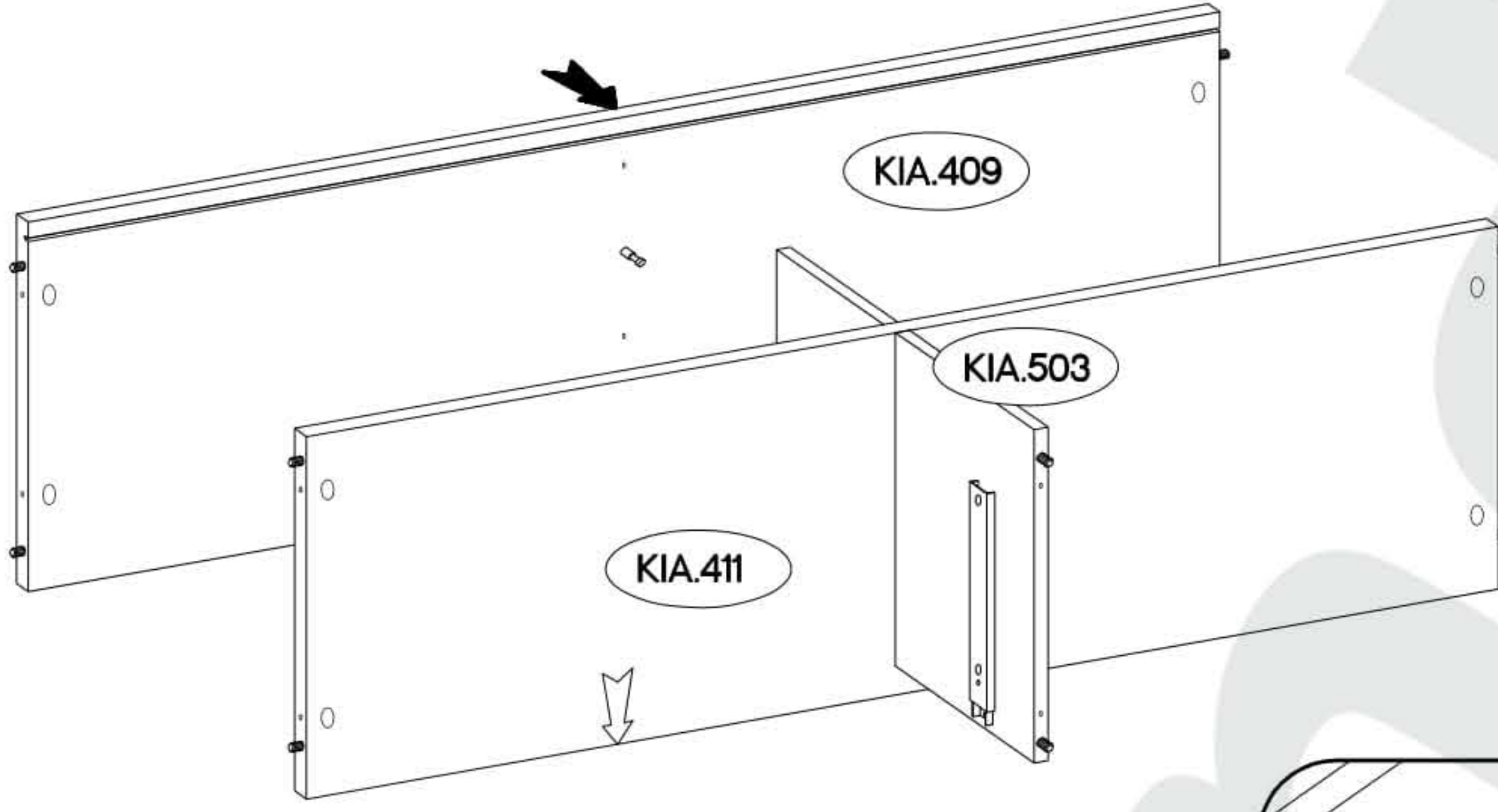
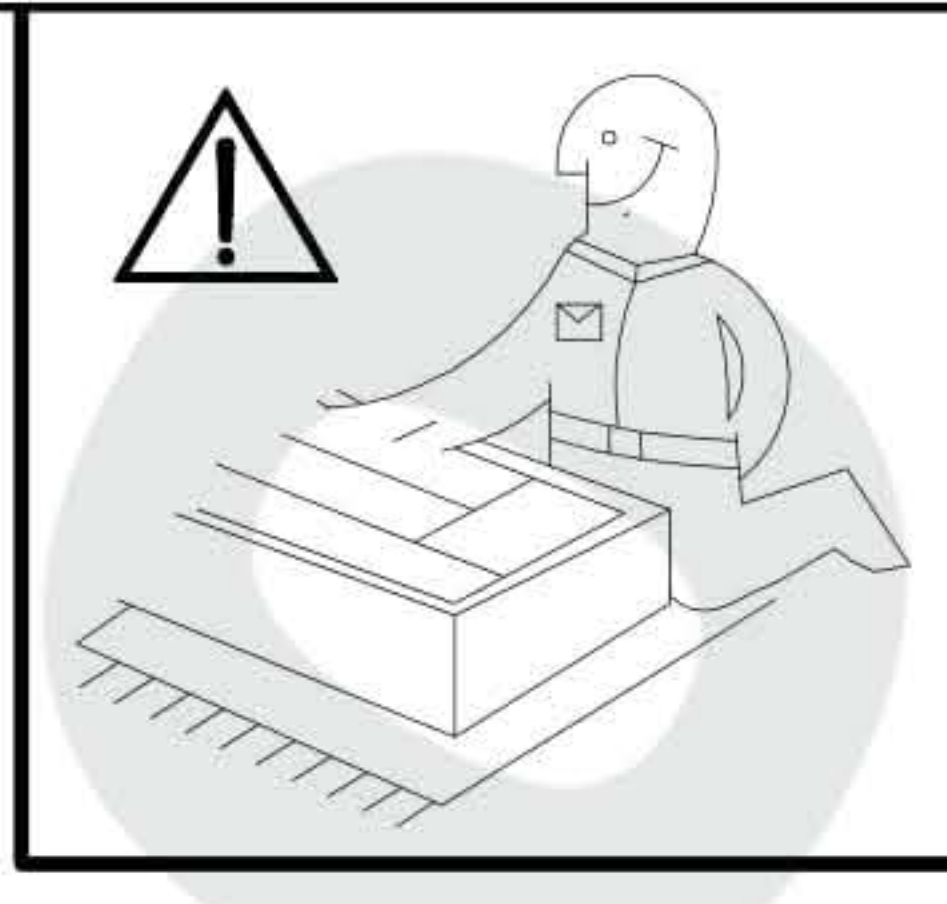



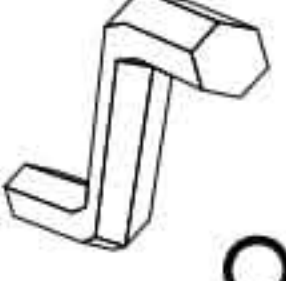
9

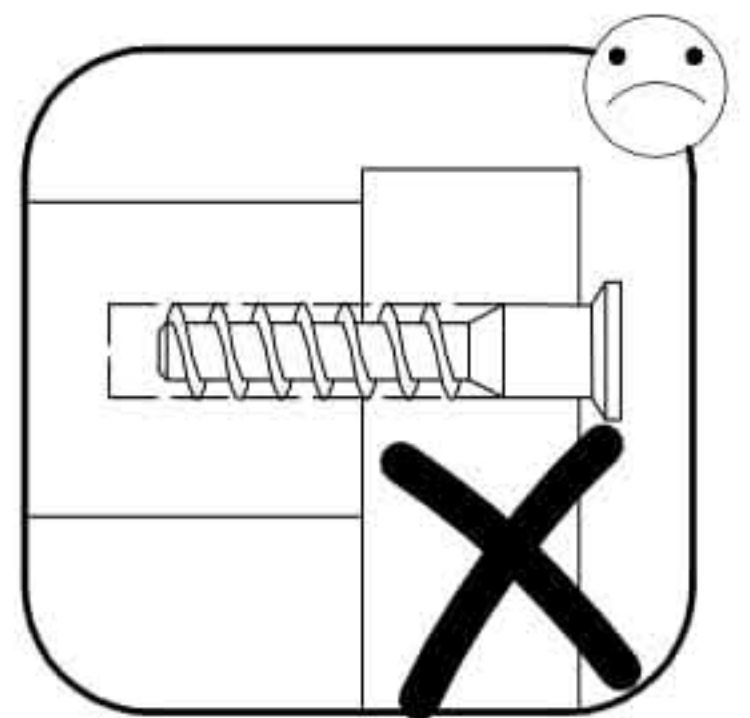
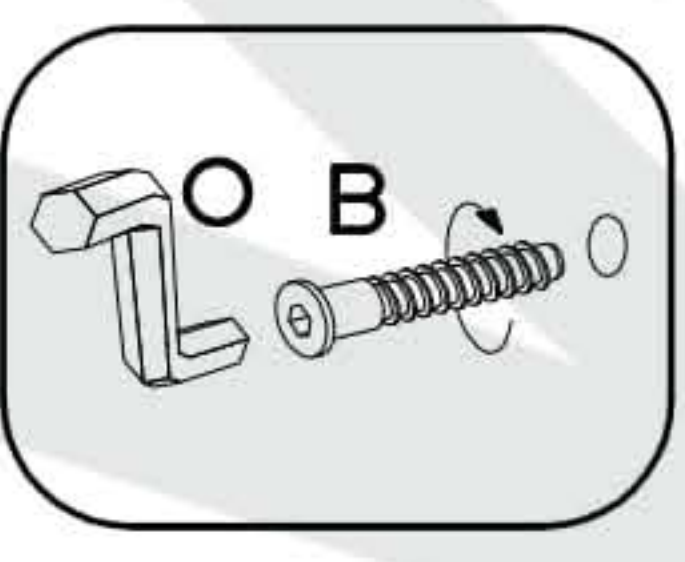
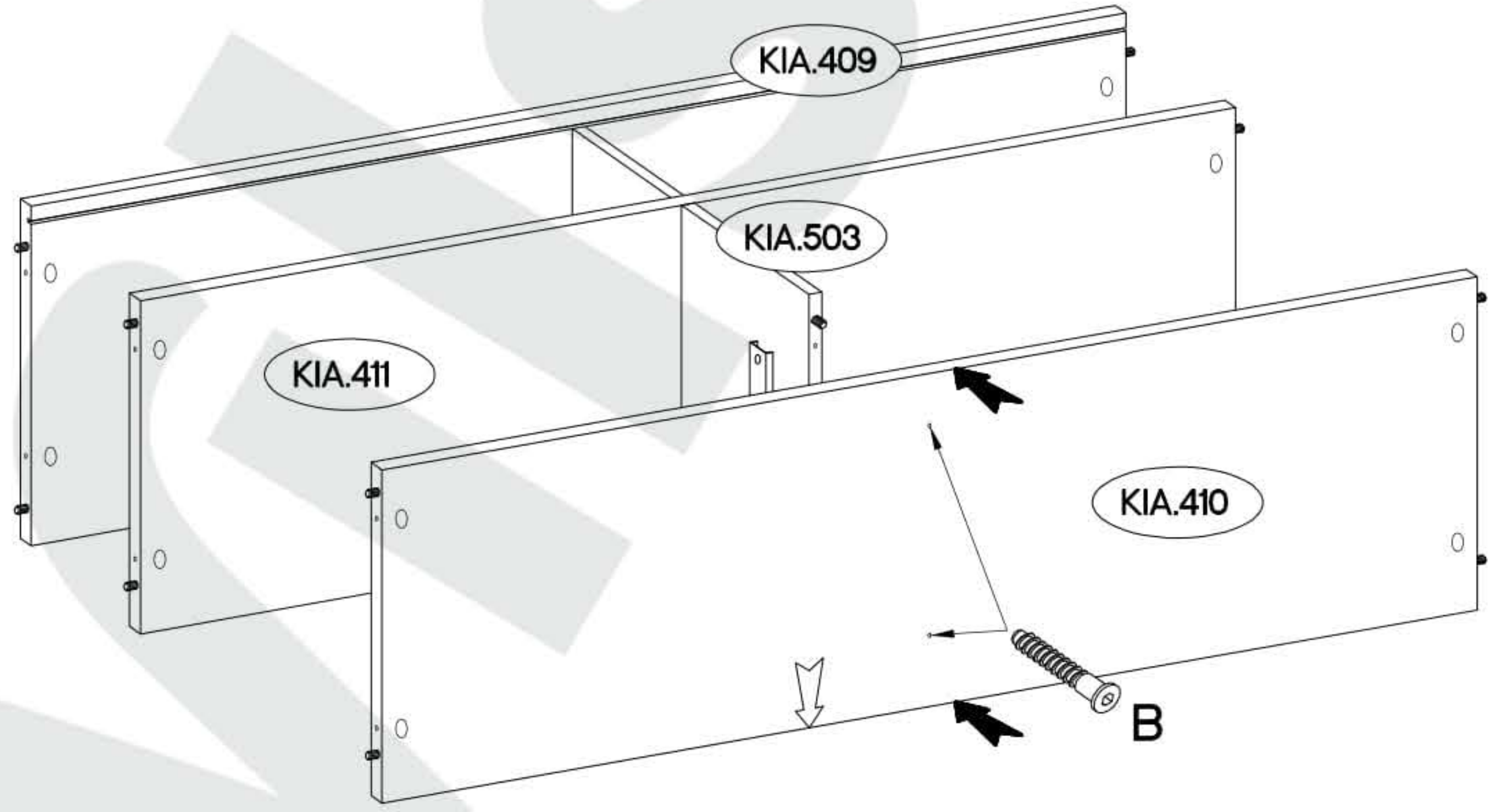


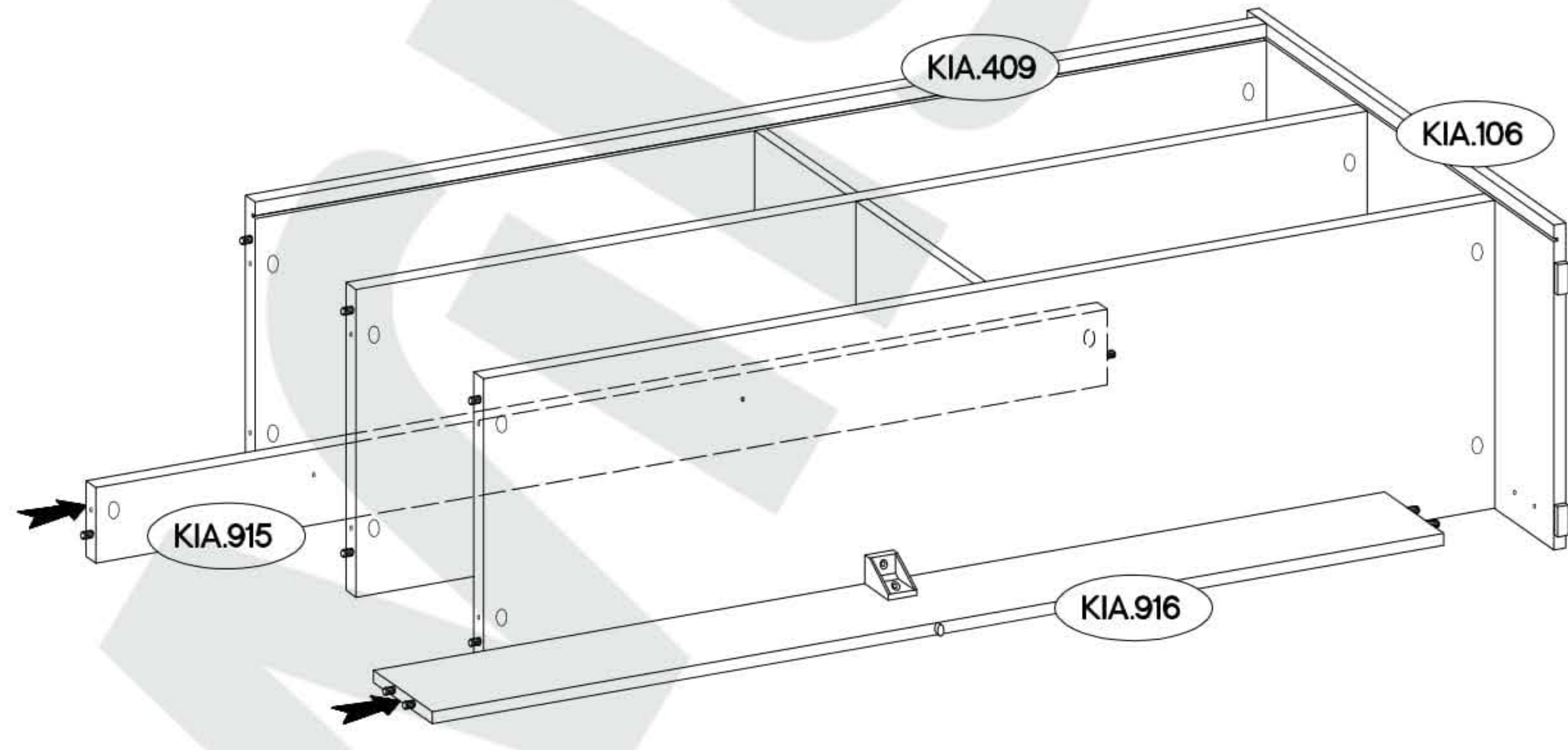
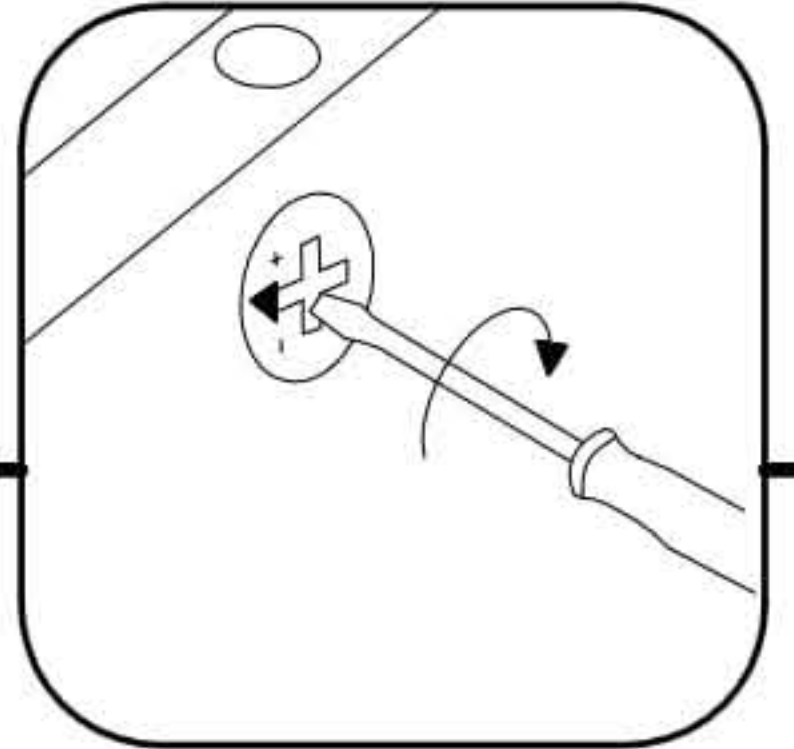
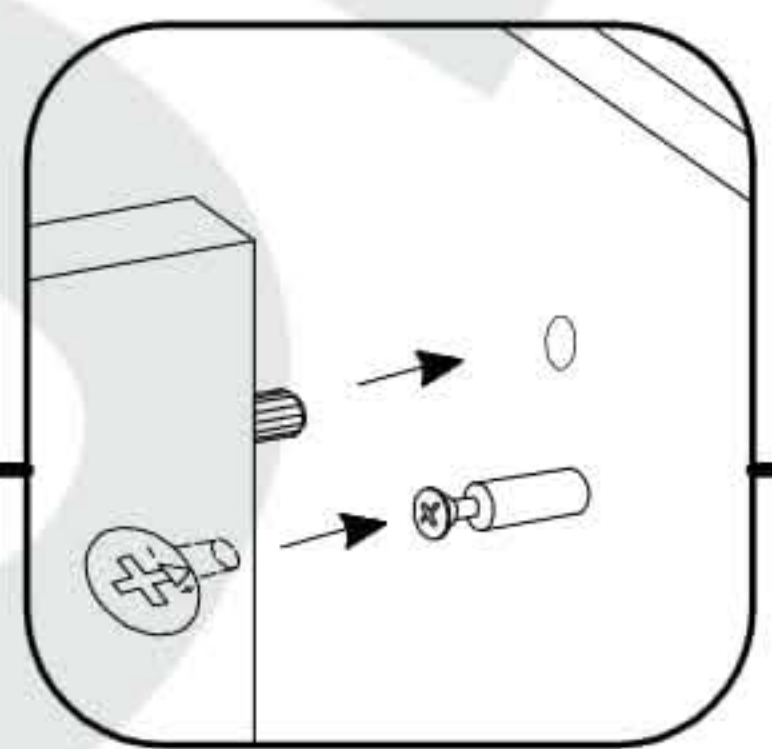
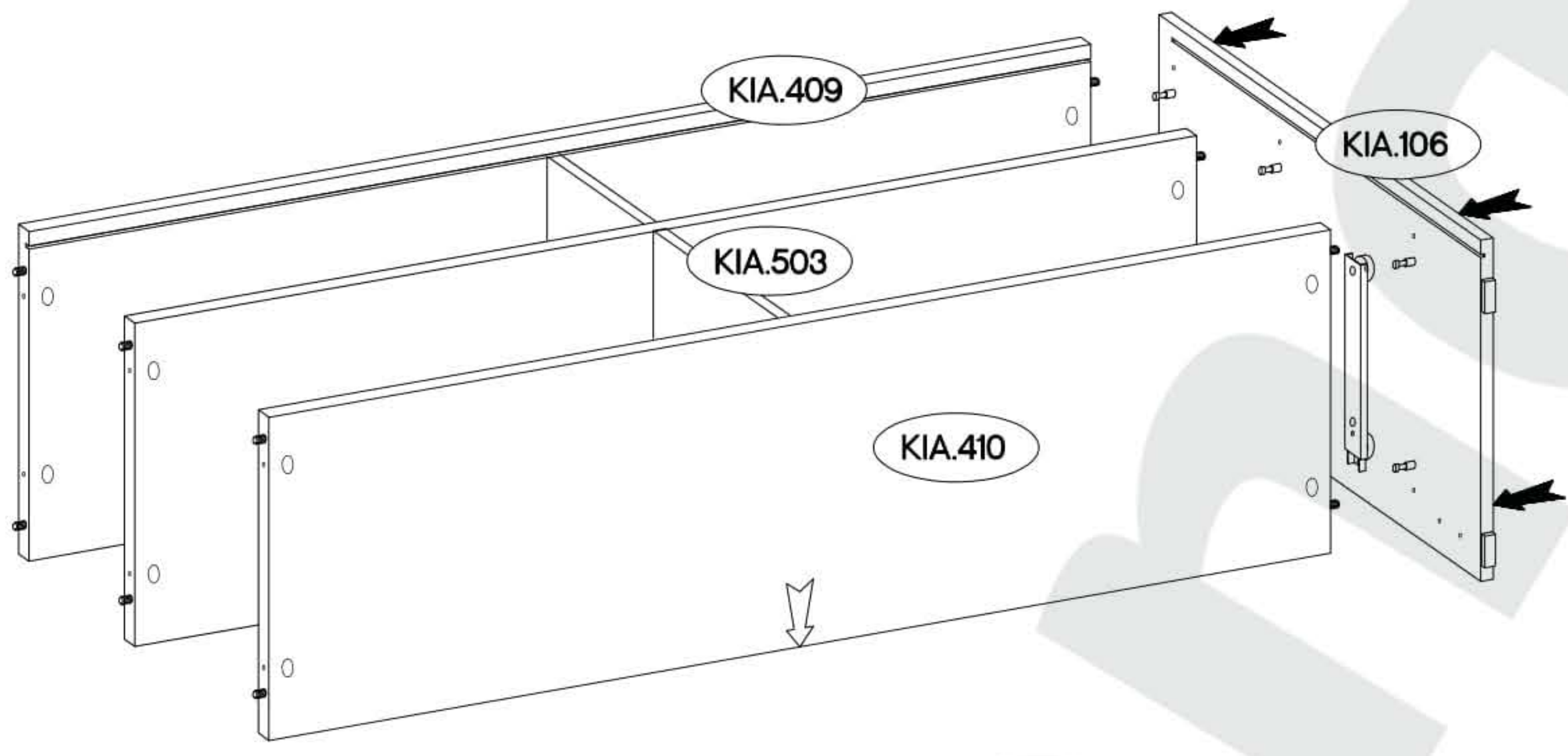
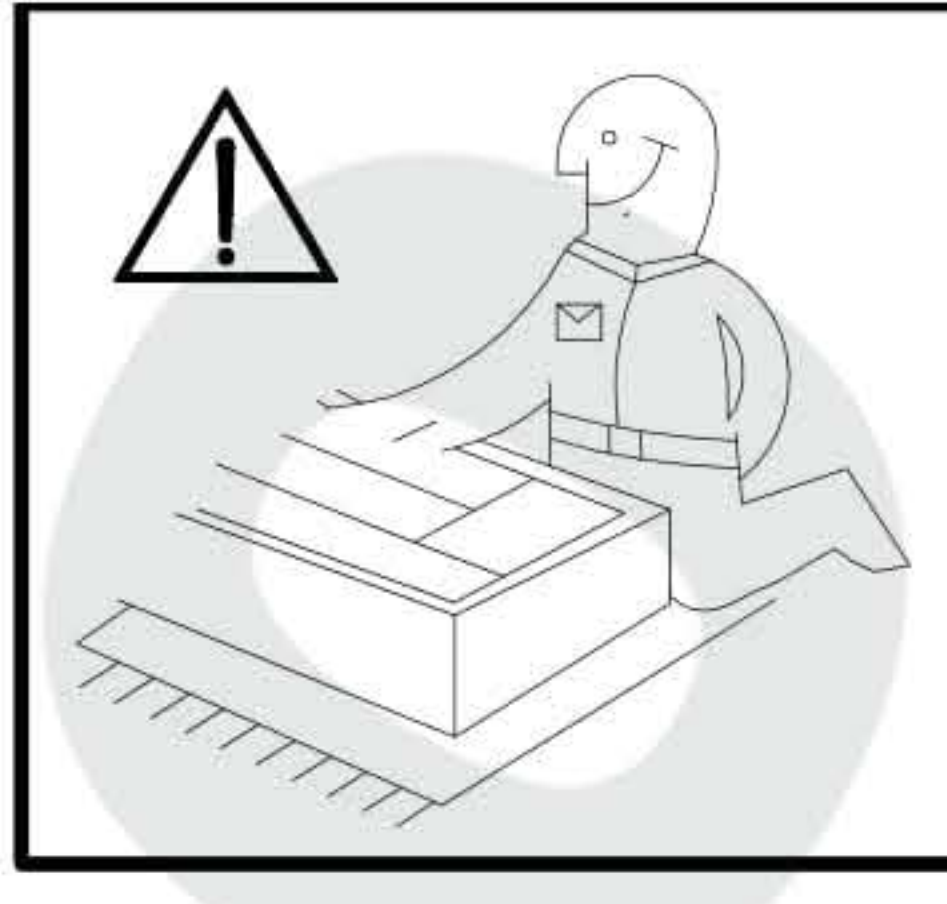




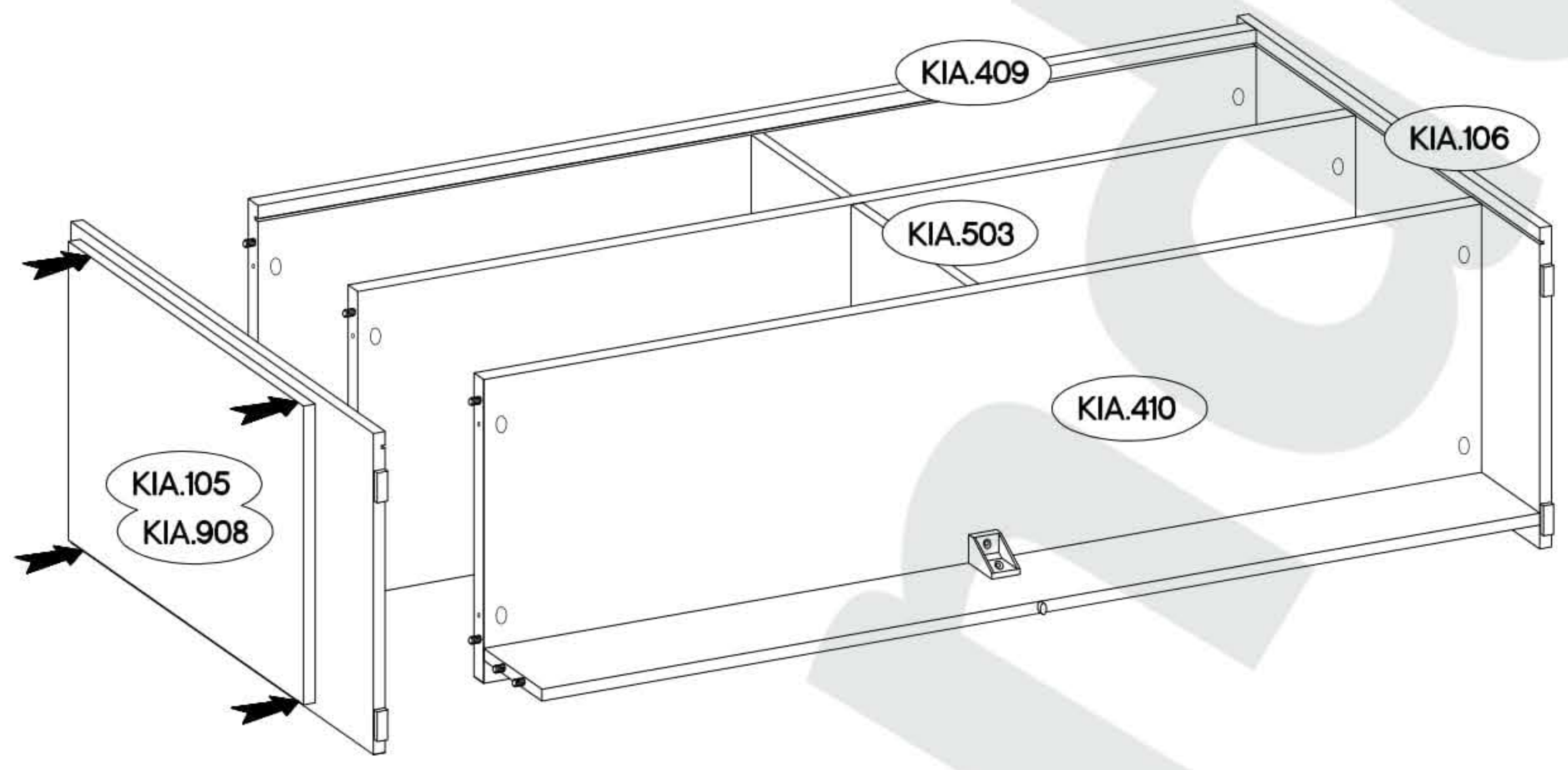
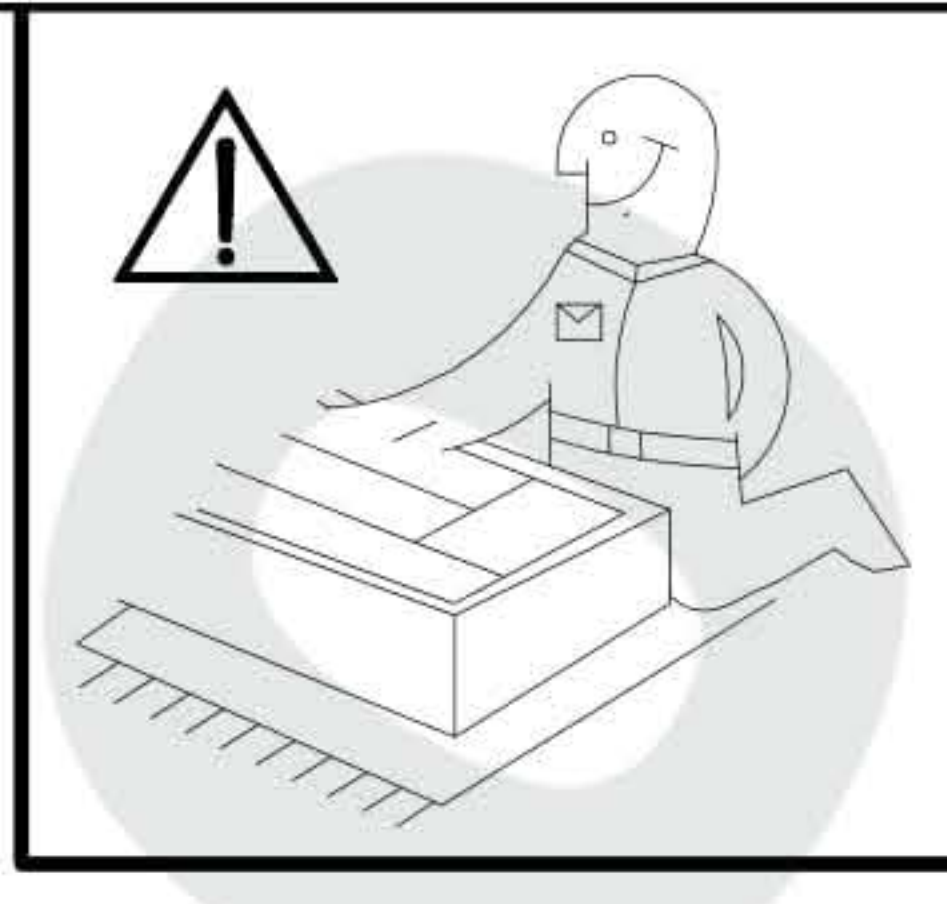
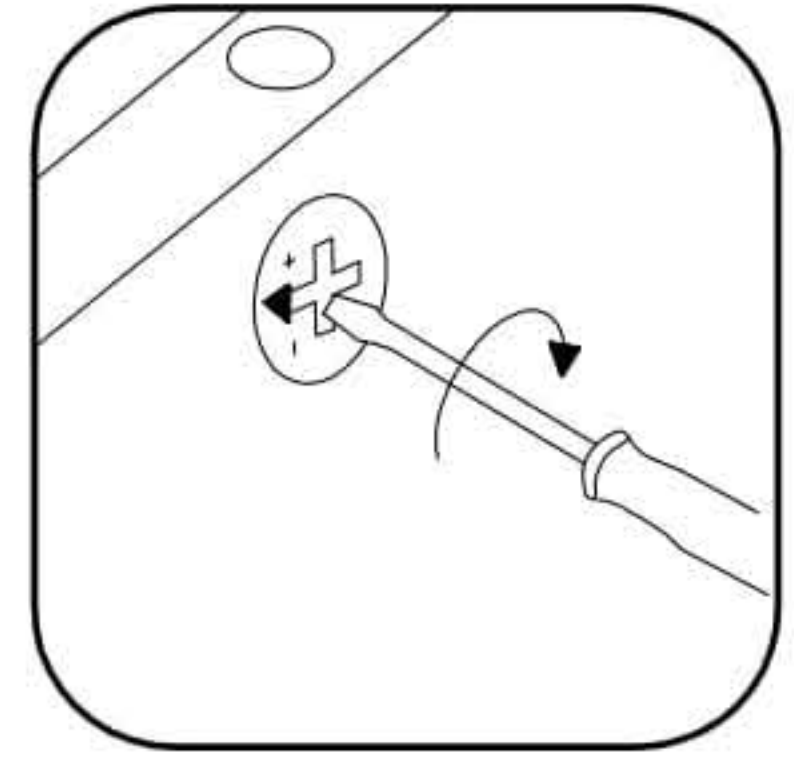
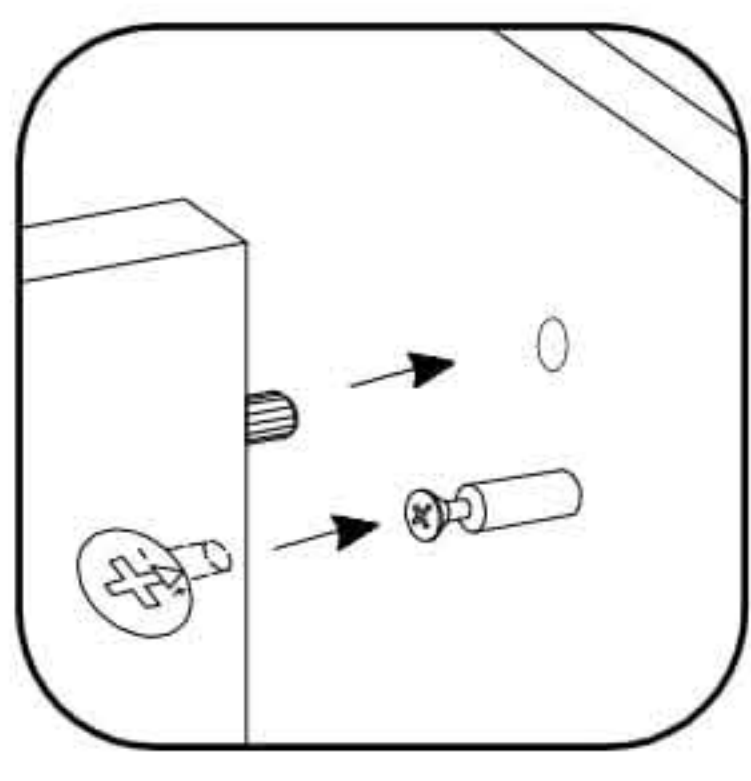


6,4 x 50mm	
	
B	O
2	1




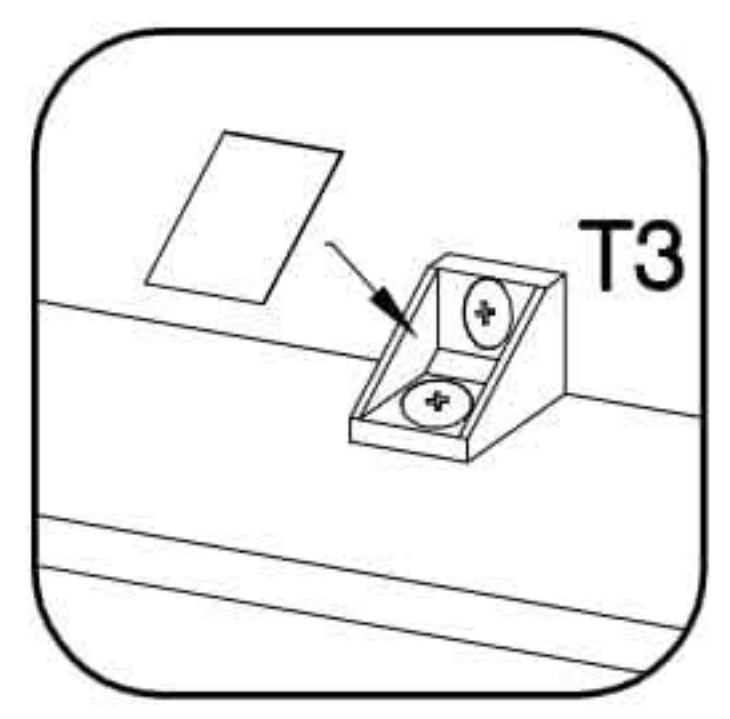
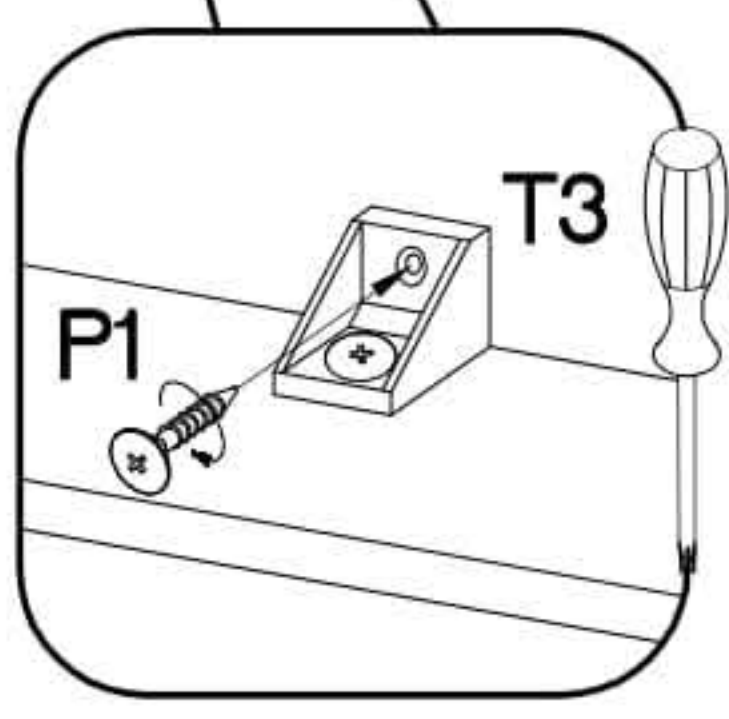
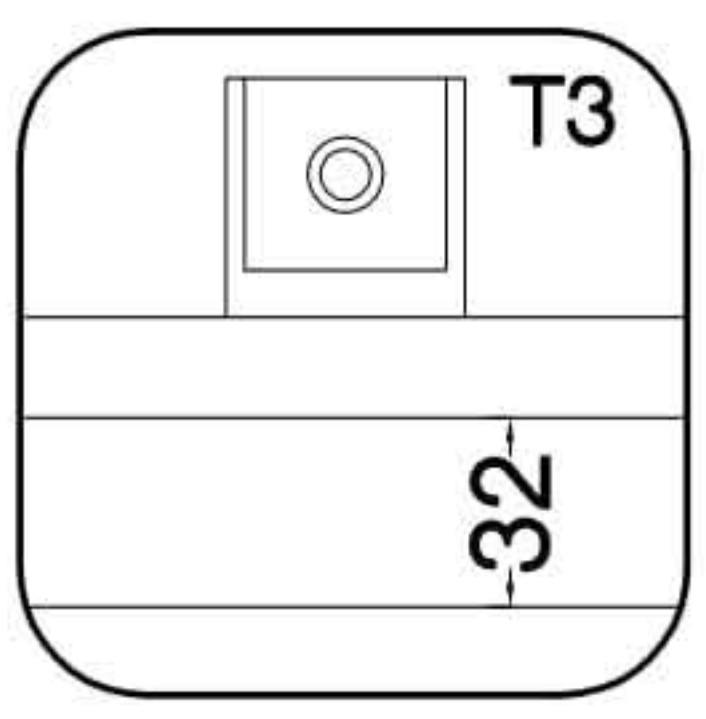
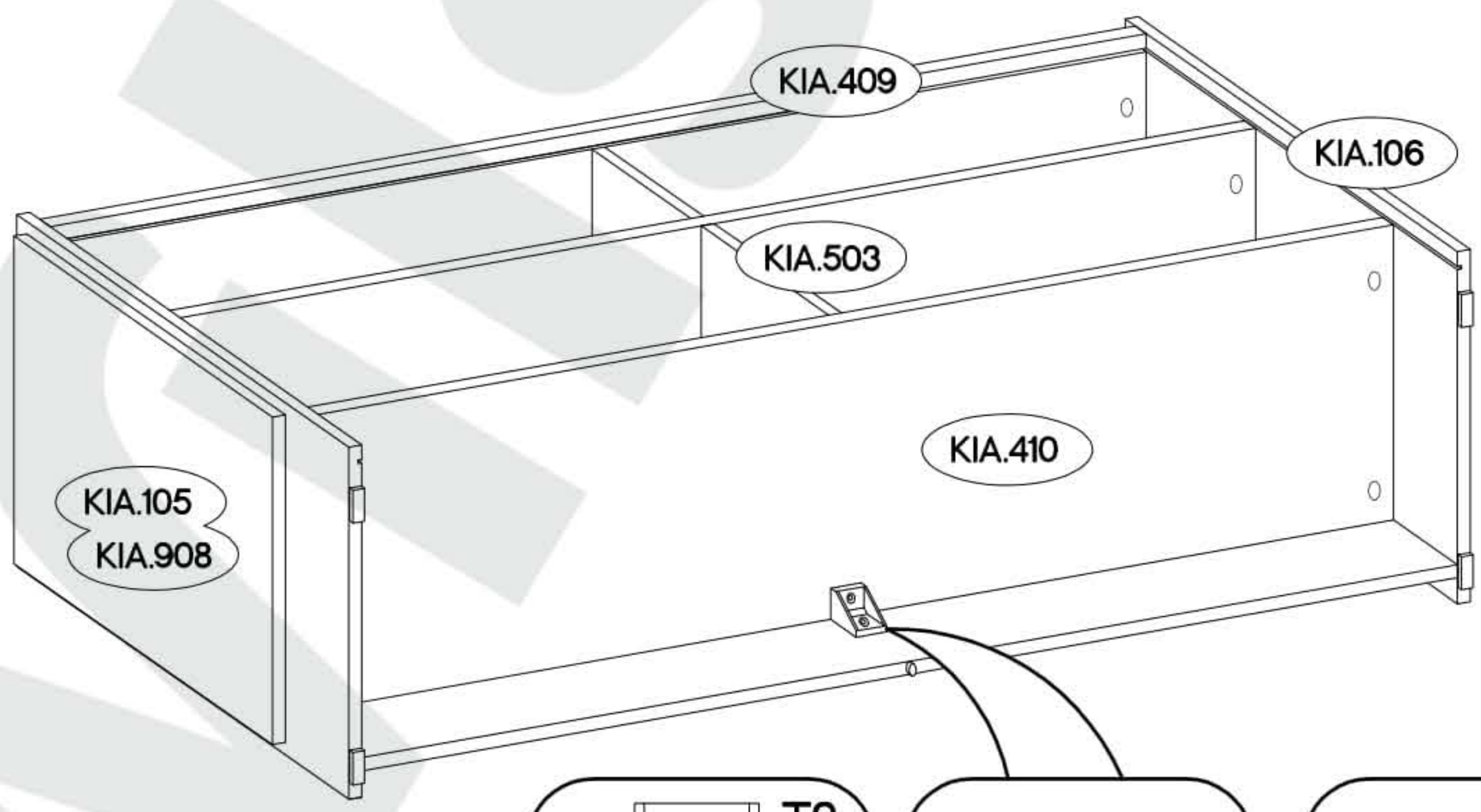



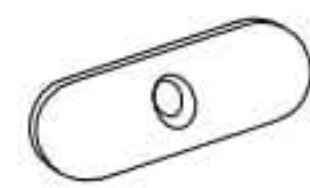
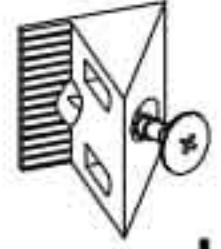
16

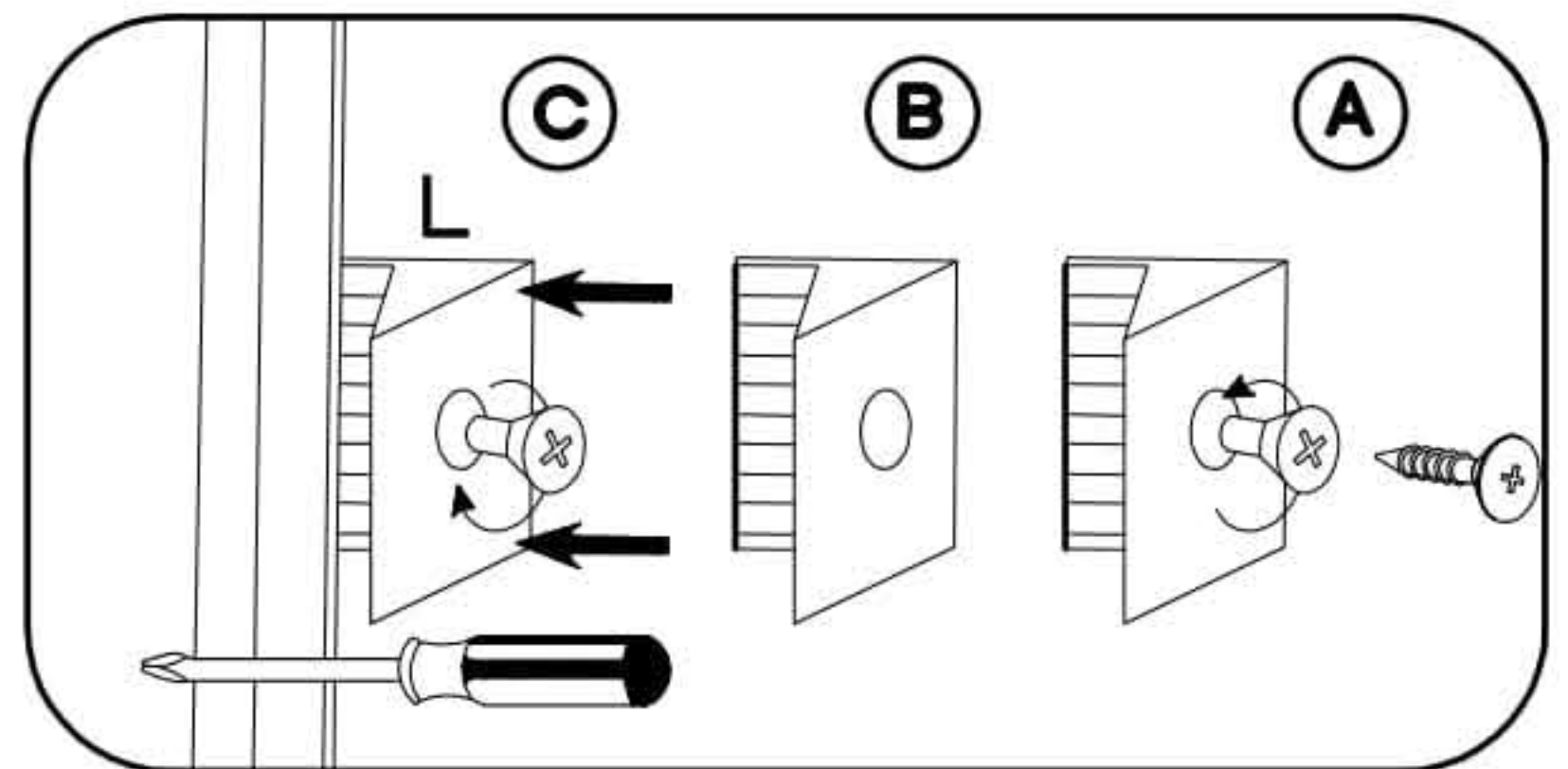
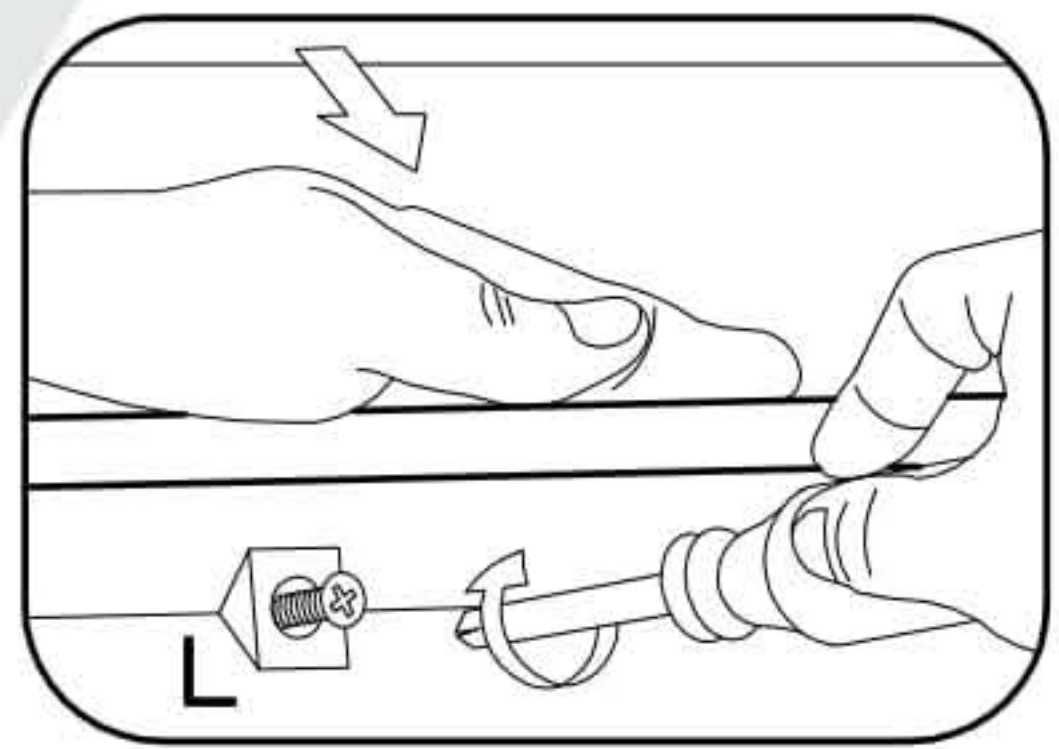
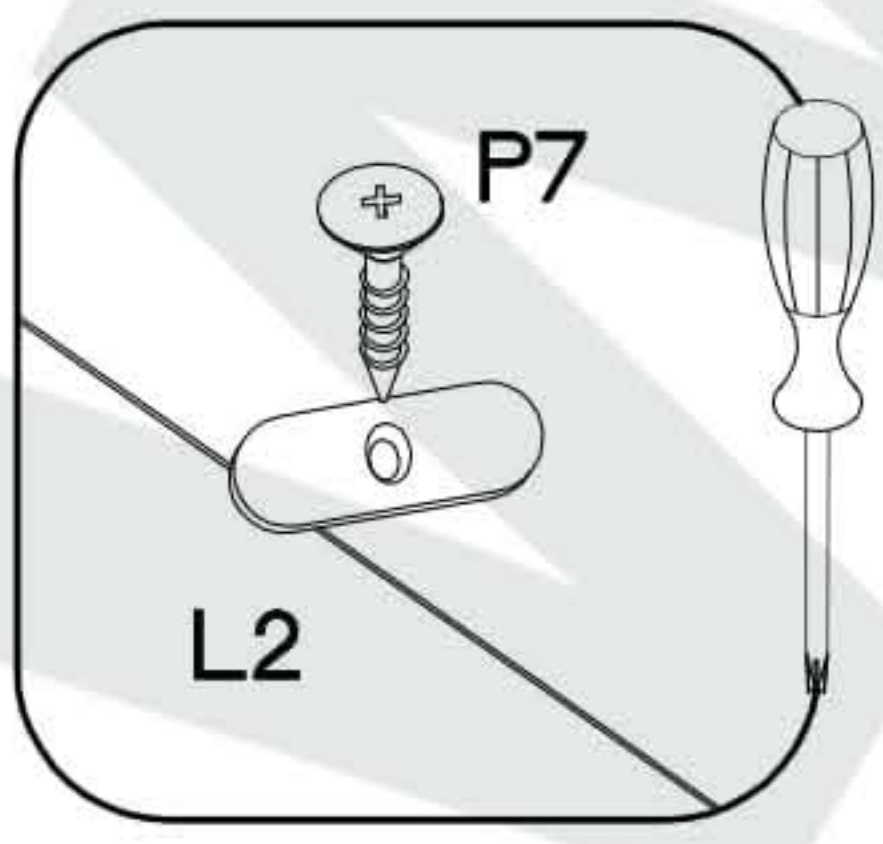
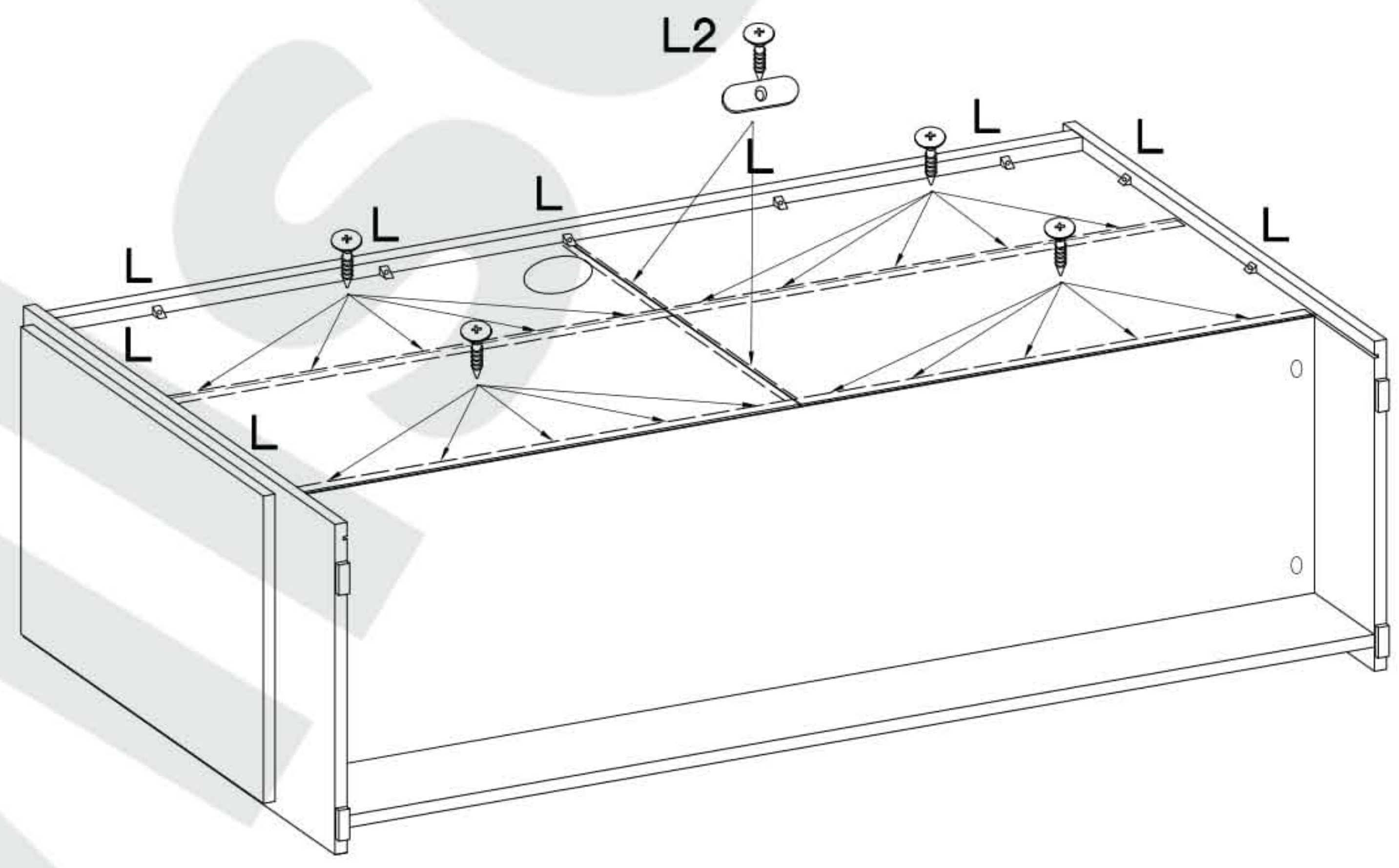
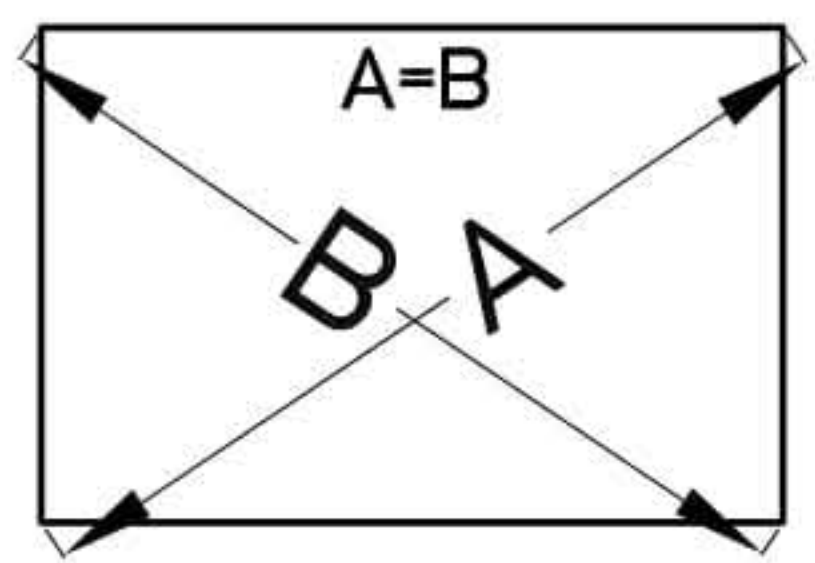
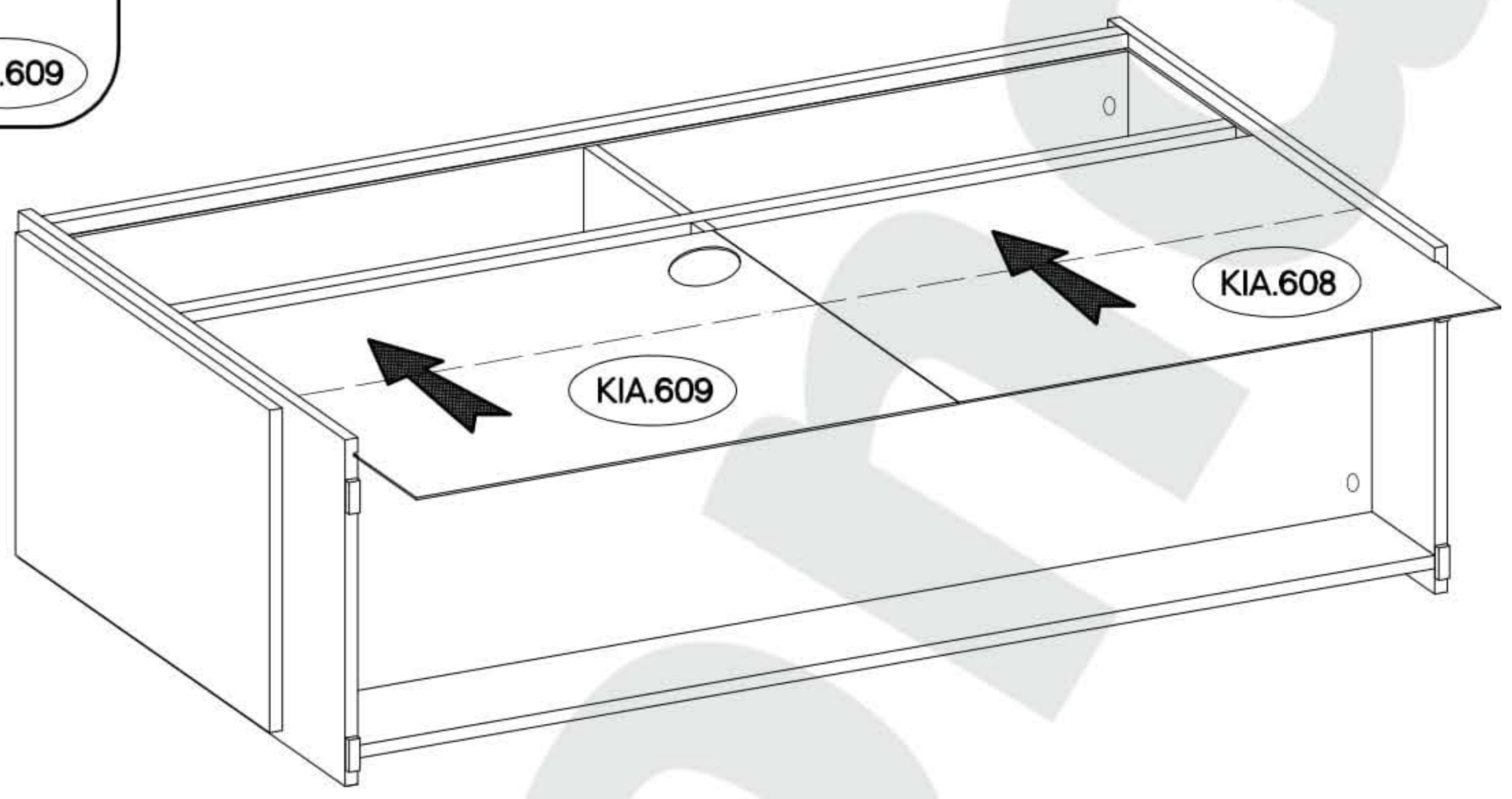
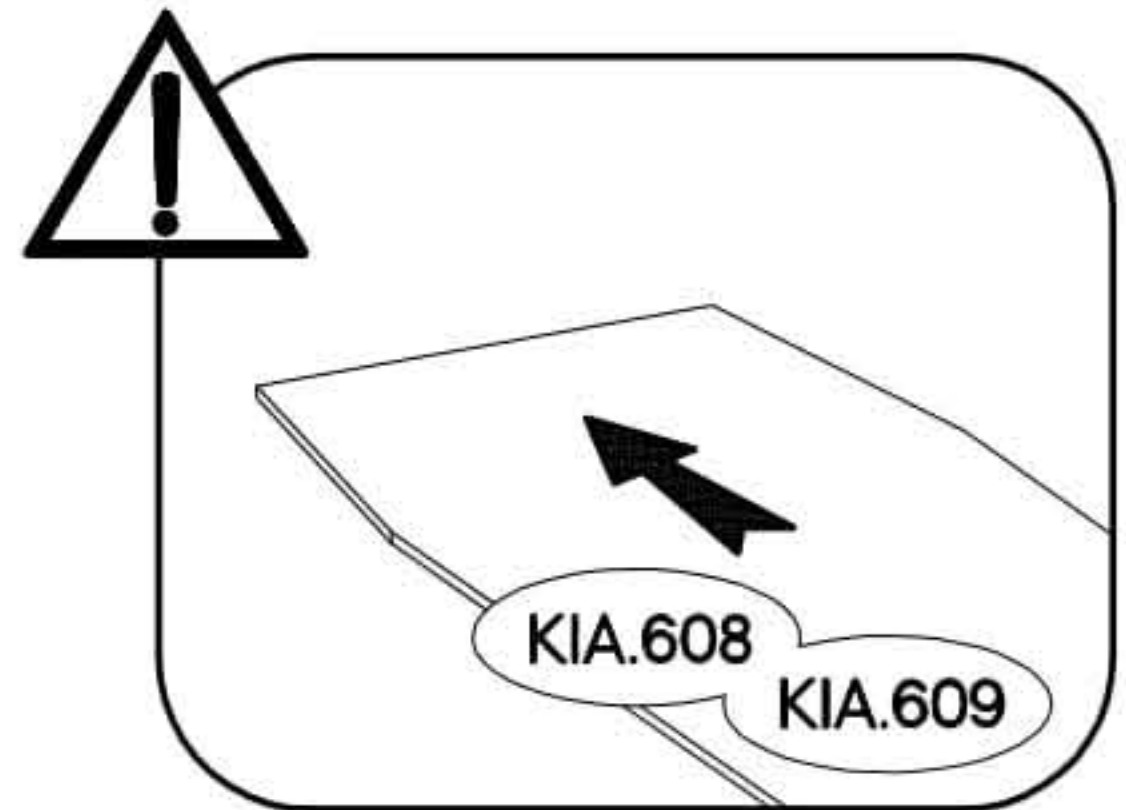
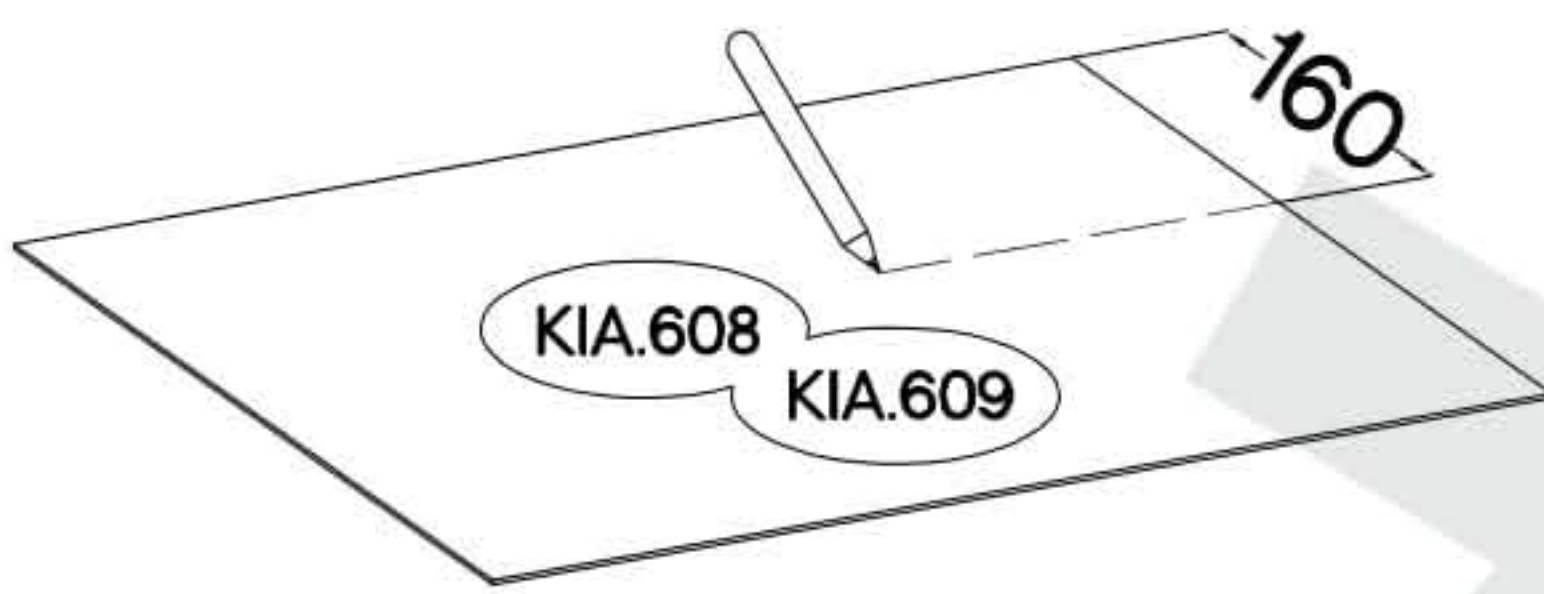
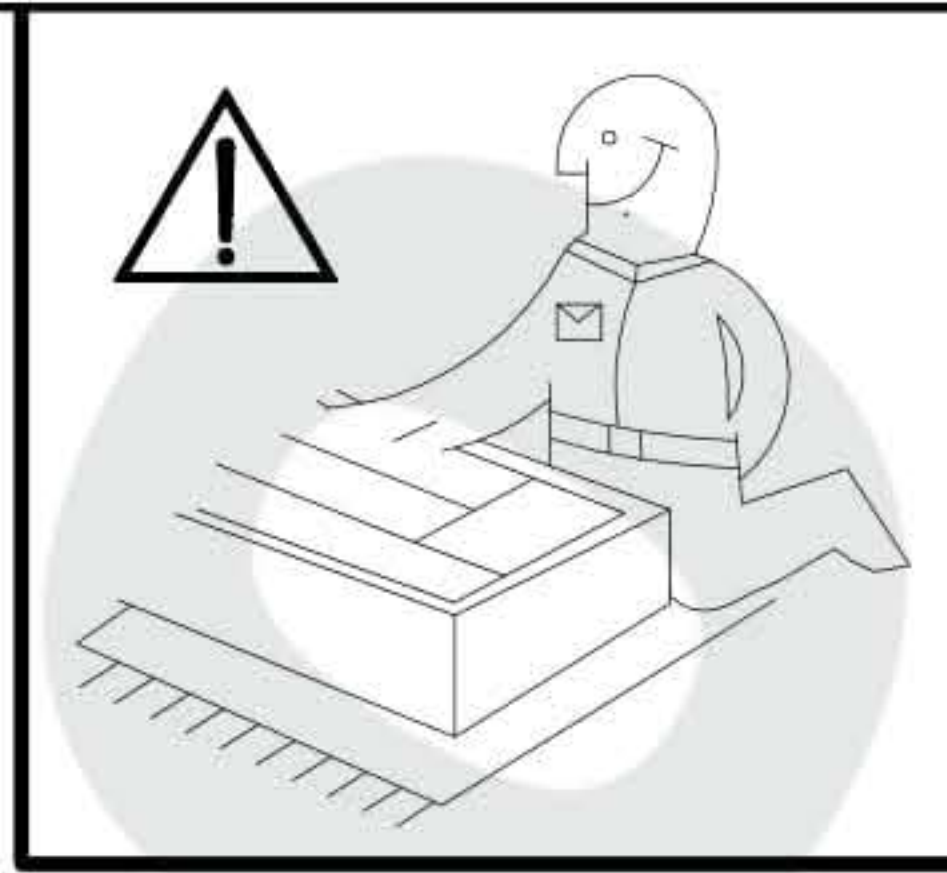


17

4.0x16mm  
  
 P1  
 1



±3.0x20mm  P7 22	 L2 2	 L 9
---	---	--



<p>3.5x25mm BLACK P25</p>	<p>cza. E</p>	<p>art. E</p>	<p>L=128mm S</p>	<p>M4x22mm U</p>	<p>M4x9mm U1</p>
2	10	4	2	4	4

