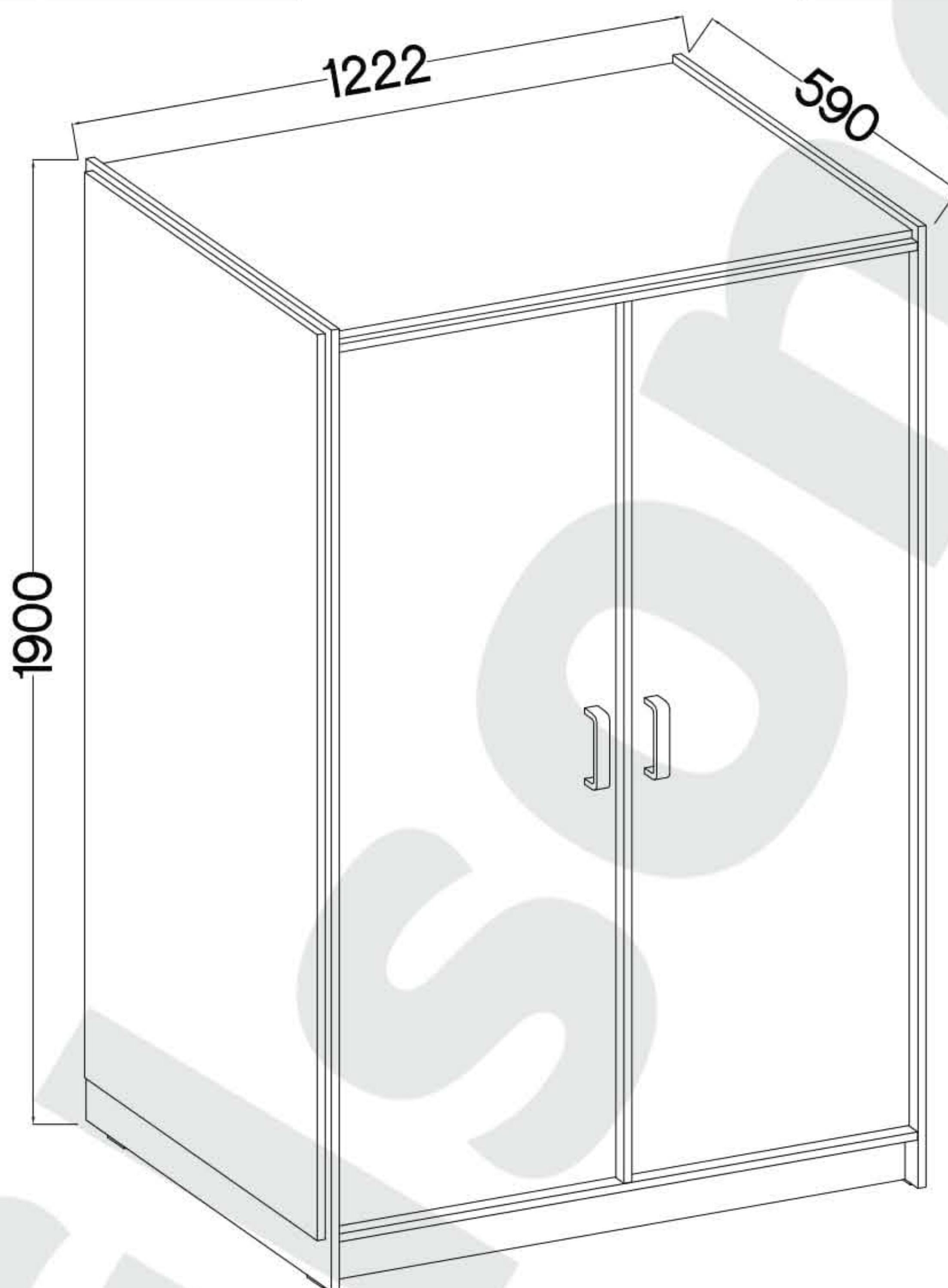


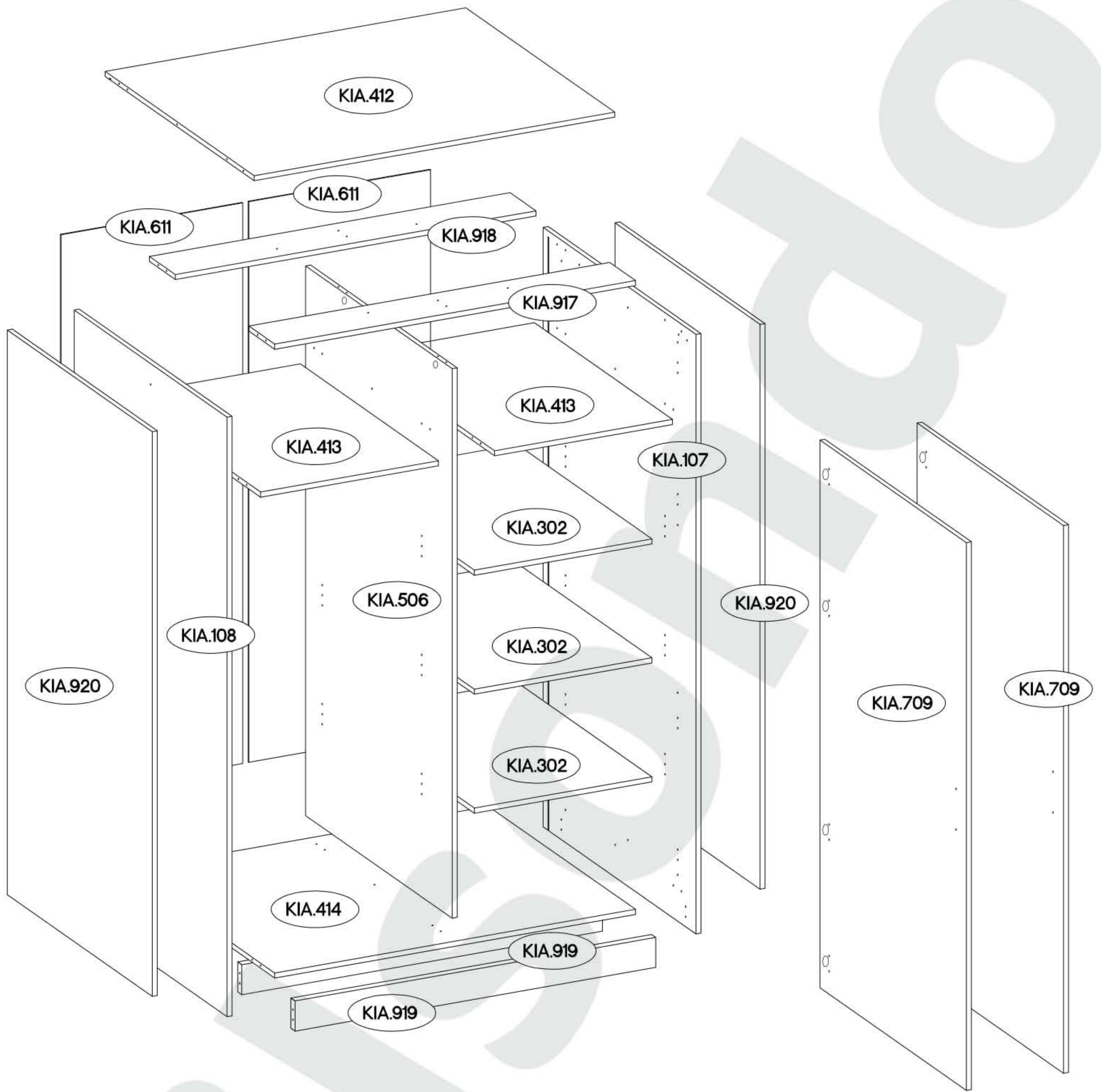
120 min

TYP 610



†8x30mm A 28	†8x60mm A2 2	†8x20mm A4 8	6,4 x 50mm B 3	†15/12mm C 30	L=20mm D2 24	L=56mm D4 3					
cza. E 16	art. E 8	6.5x48x16 F2 4	†15x5mm F4 2	†35/16mm HG2 8	L=563mm J2 2	†5/16mm J3 12	 J17 4	 L 16	 L2 12	 L19 1	75x30x15mm
 O 1	†10x50mm O7 1	†4.0x16mm P1 4	†3.5x13mm P5 18	†3.0x20mm P7 28	†5.0x60mm P12 1	†3.5x25mm BLACK P25 24	†3.0x10mm P30 4	L=128mm S 2	 T3 2	M4x22mm U 4	

ISM-KIA-007

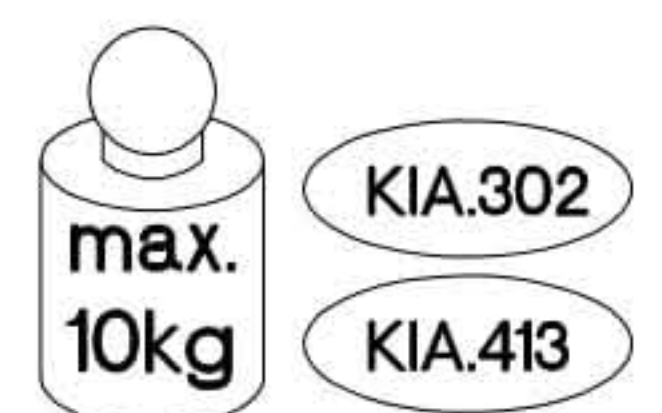


Colli	Ersatzteil Nummer	Dimension
1/4	KIA.302 x3	570x520x16
	KIA.412	1158x575x16
	KIA.414	1158x567x16
	KIA.413	571x534x16

Colli	Ersatzteil Nummer	Dimension
2/4	KIA.413	571x534x16
	KIA.917	1158x100x16
	KIA.918	1158x100x16
	KIA.919 x2	1158x95x16
	KIA.920 x2	1785x560x16

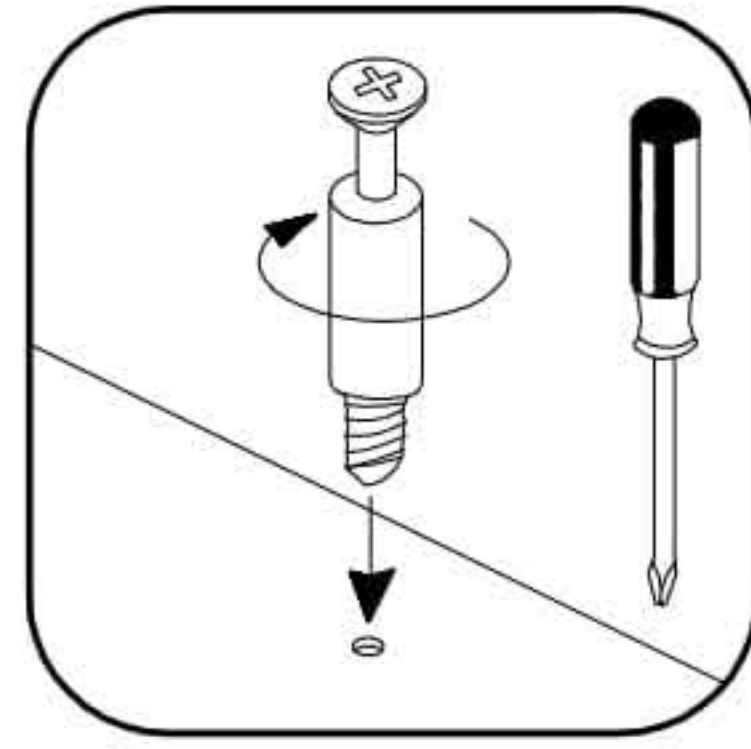
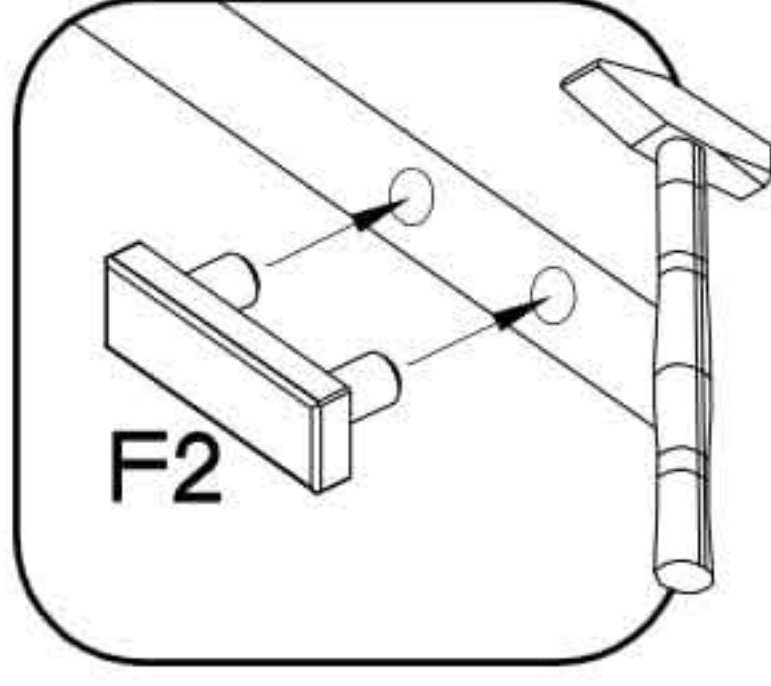
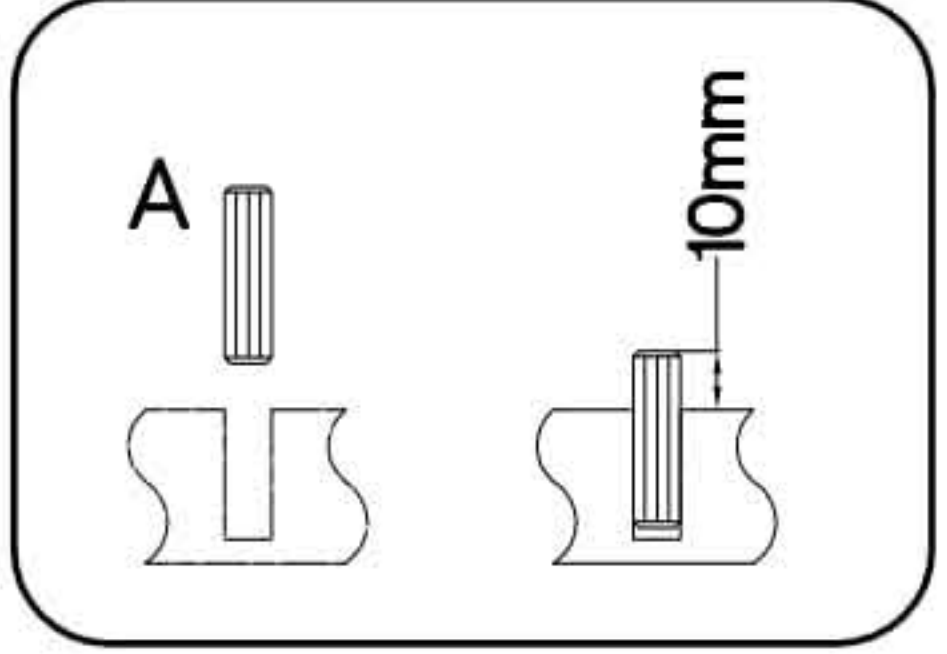
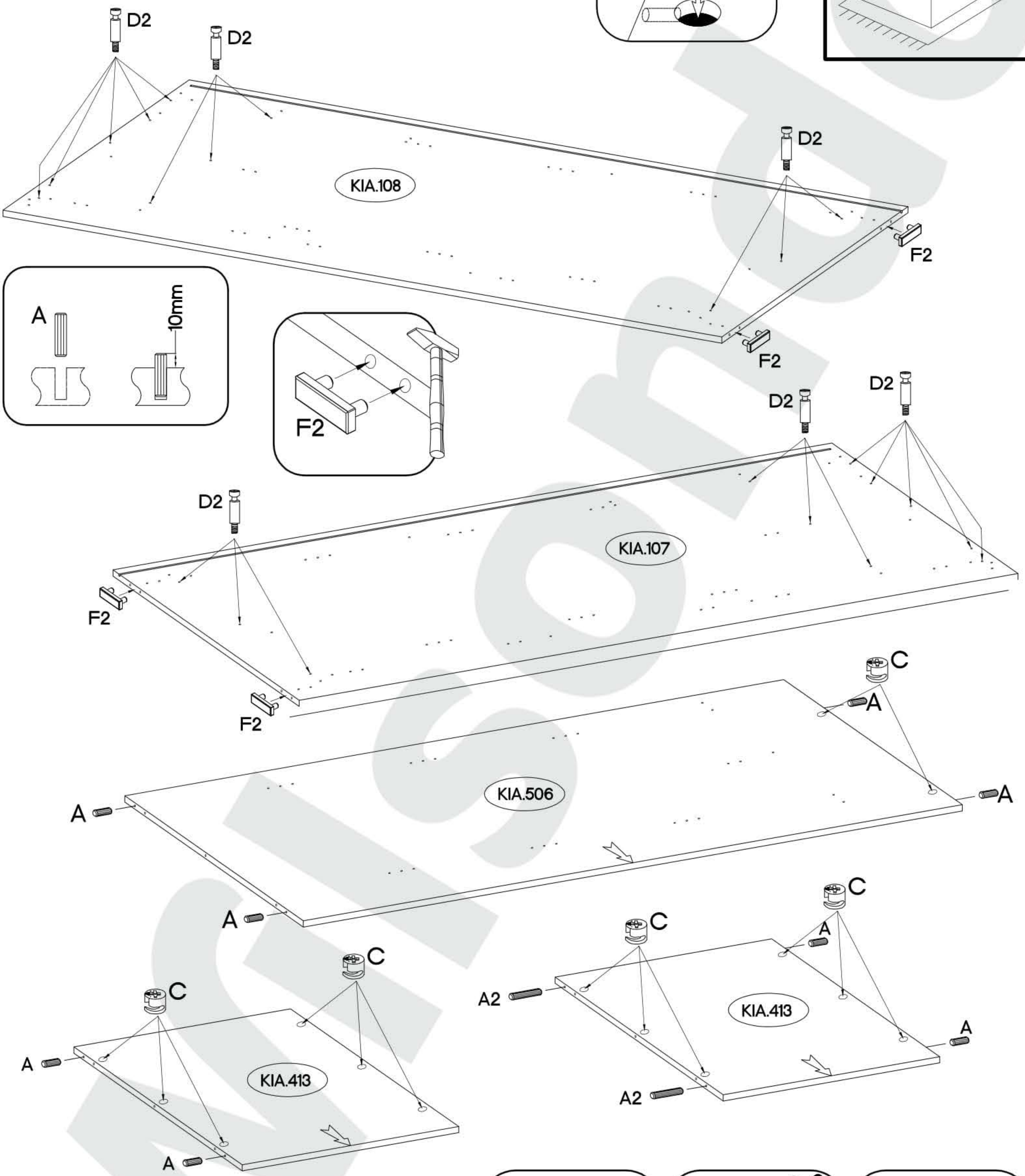
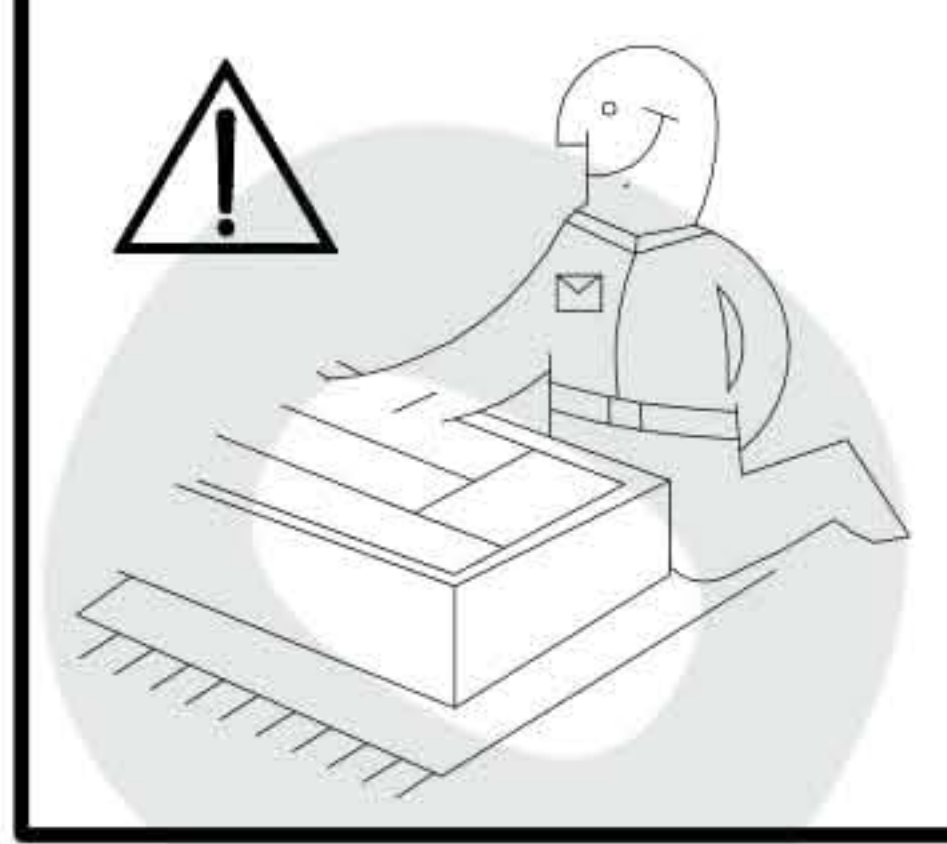
Colli	Ersatzteil Nummer	Dimension
3/4	KIA.107	1895x590x16
	KIA.108	1895x590x16
	KIA.611 x2	1772x583x2,5

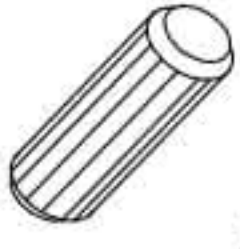


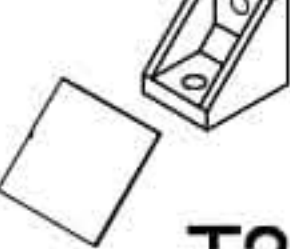


Colli	Ersatzteil Nummer	Dimension
4/4	KIA.506	1737x566x16
	KIA.709 x2	1731x567x16

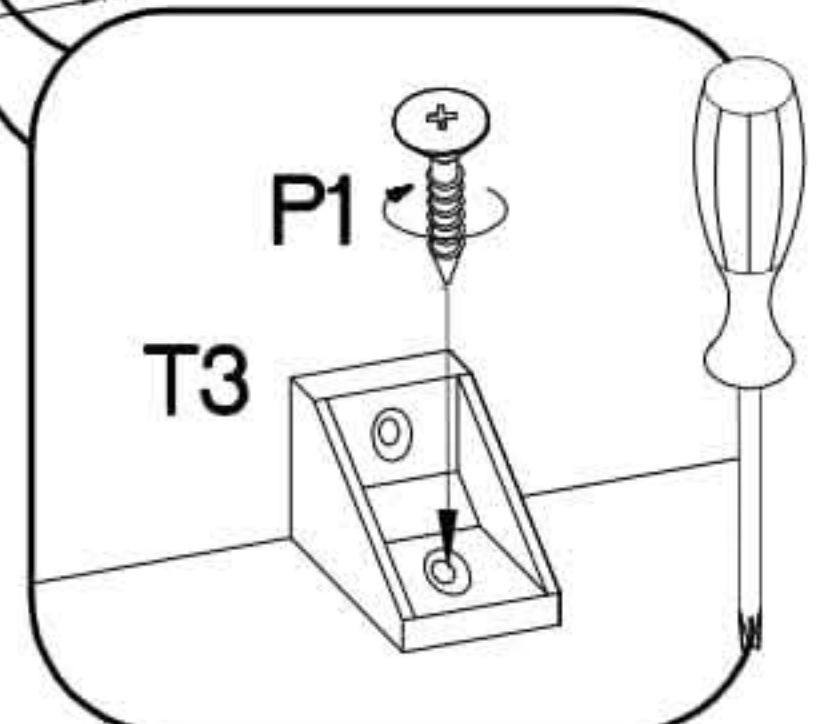
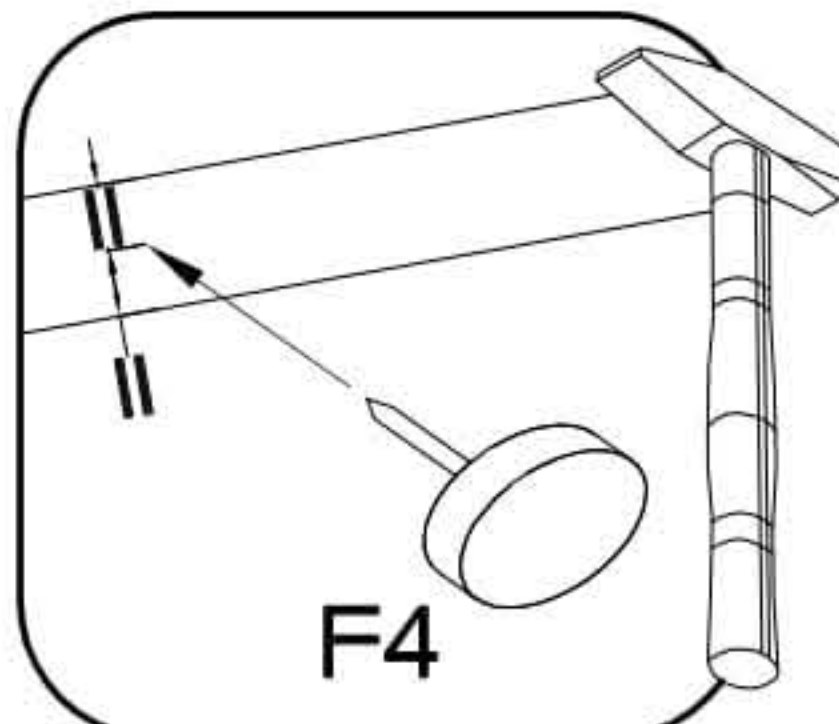
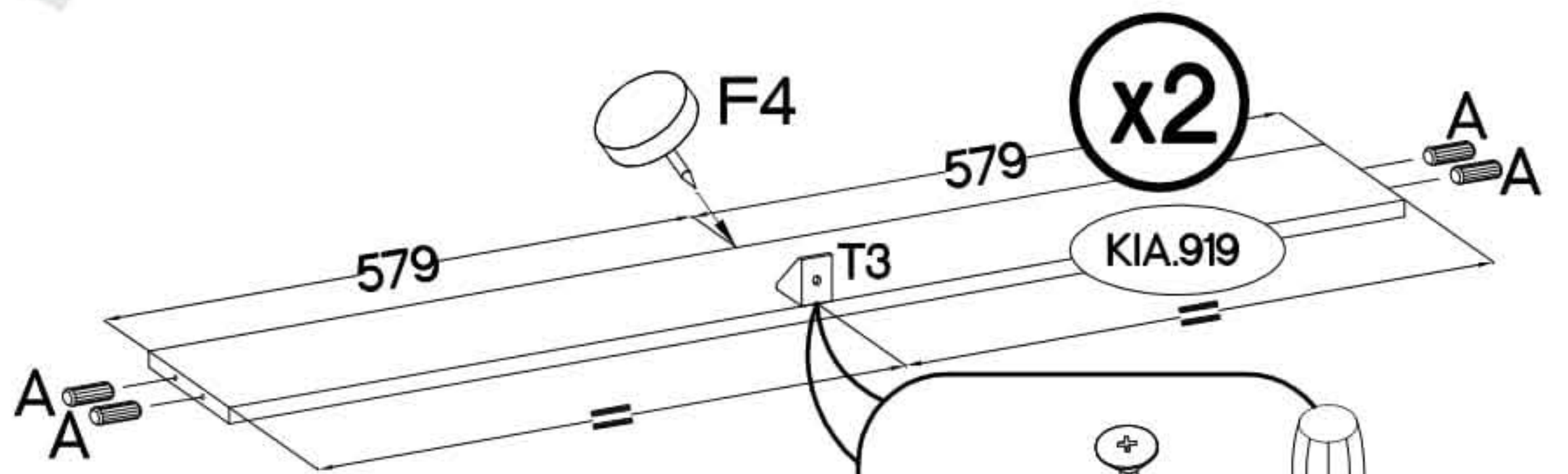
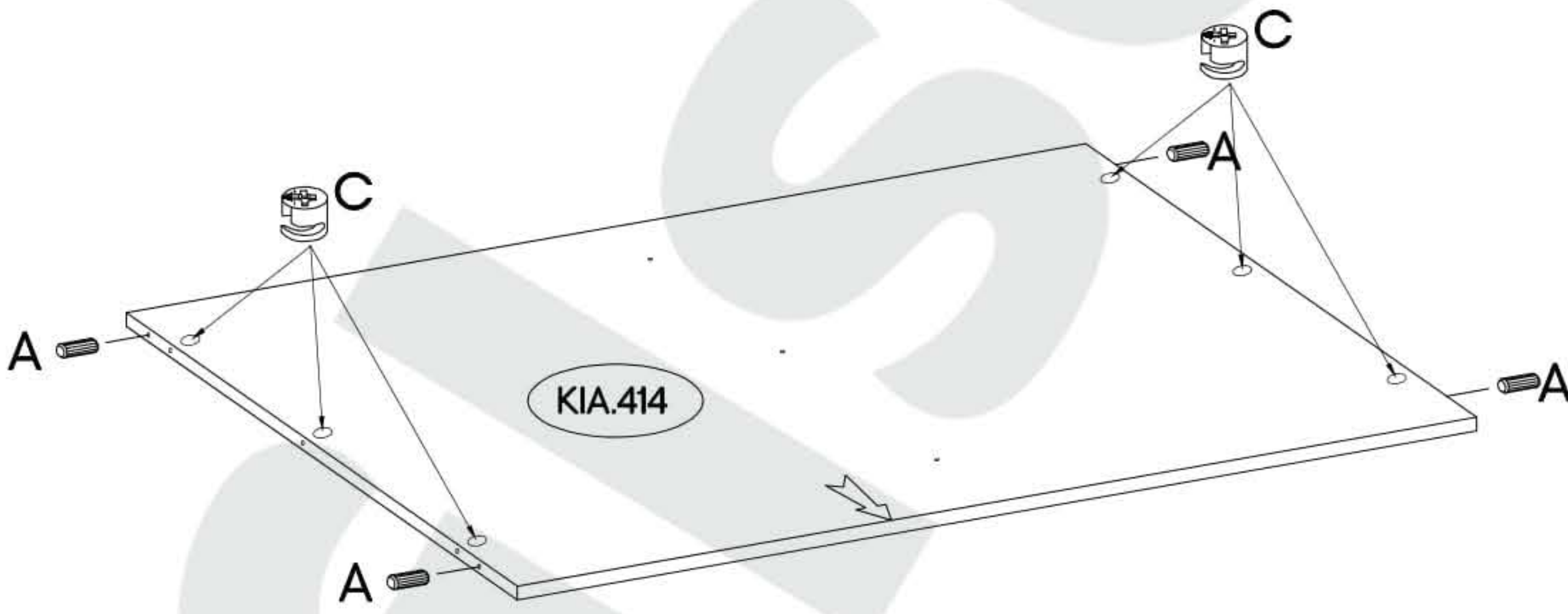
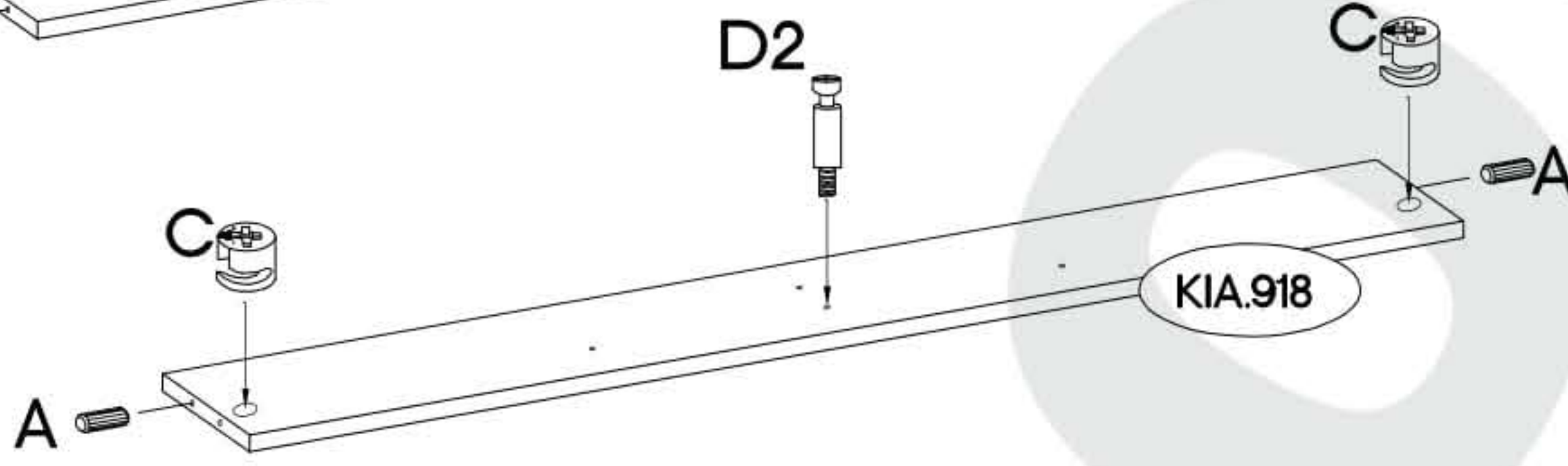
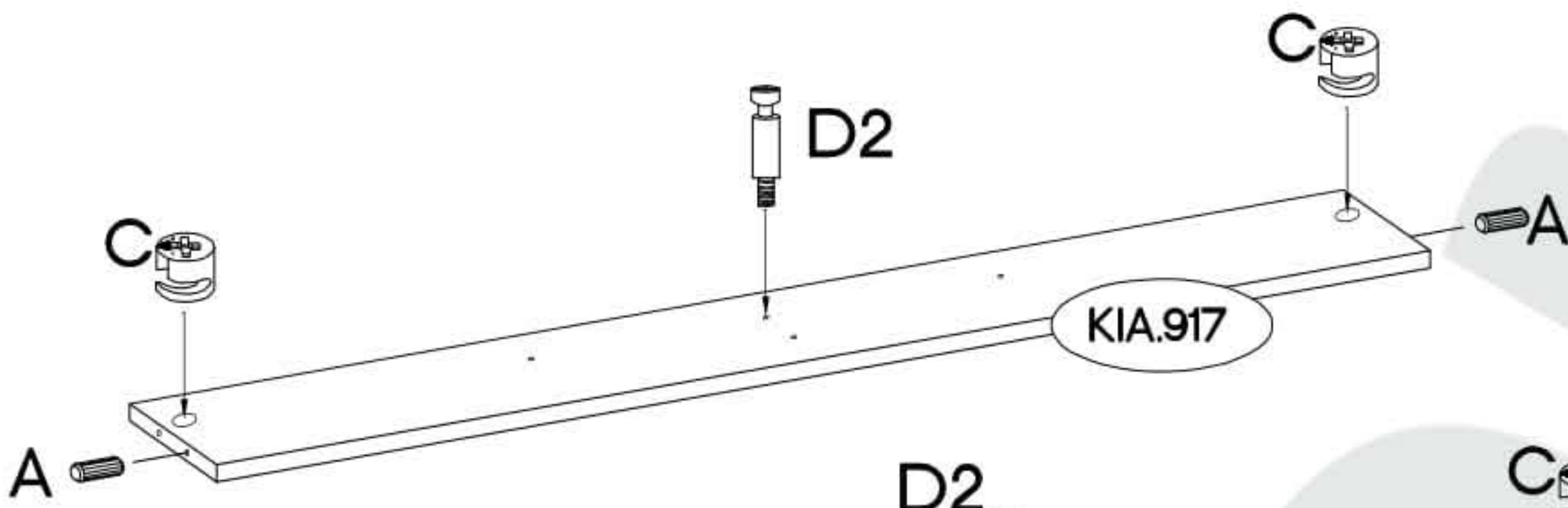
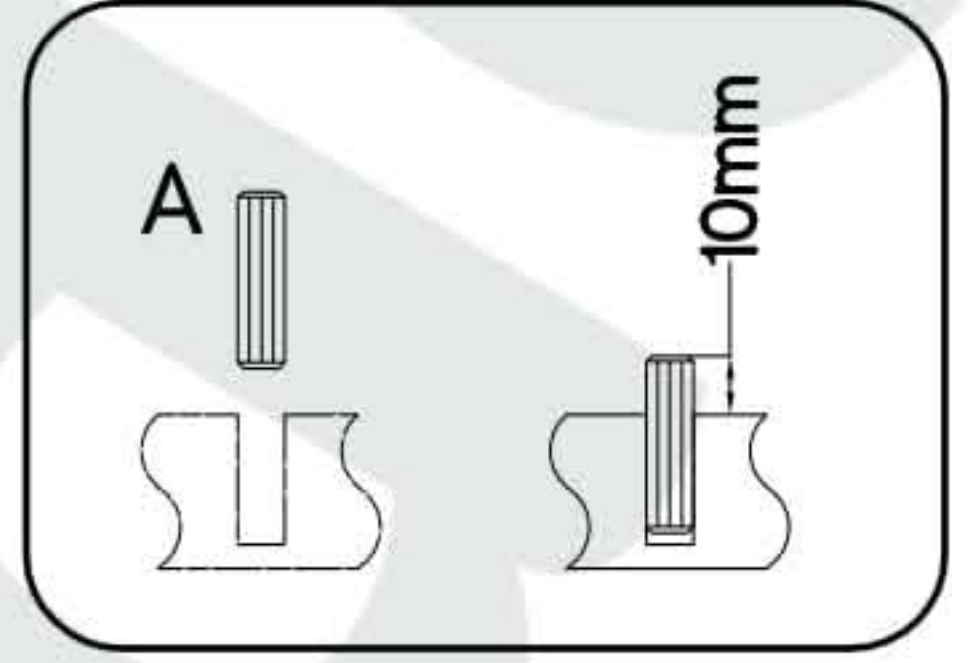
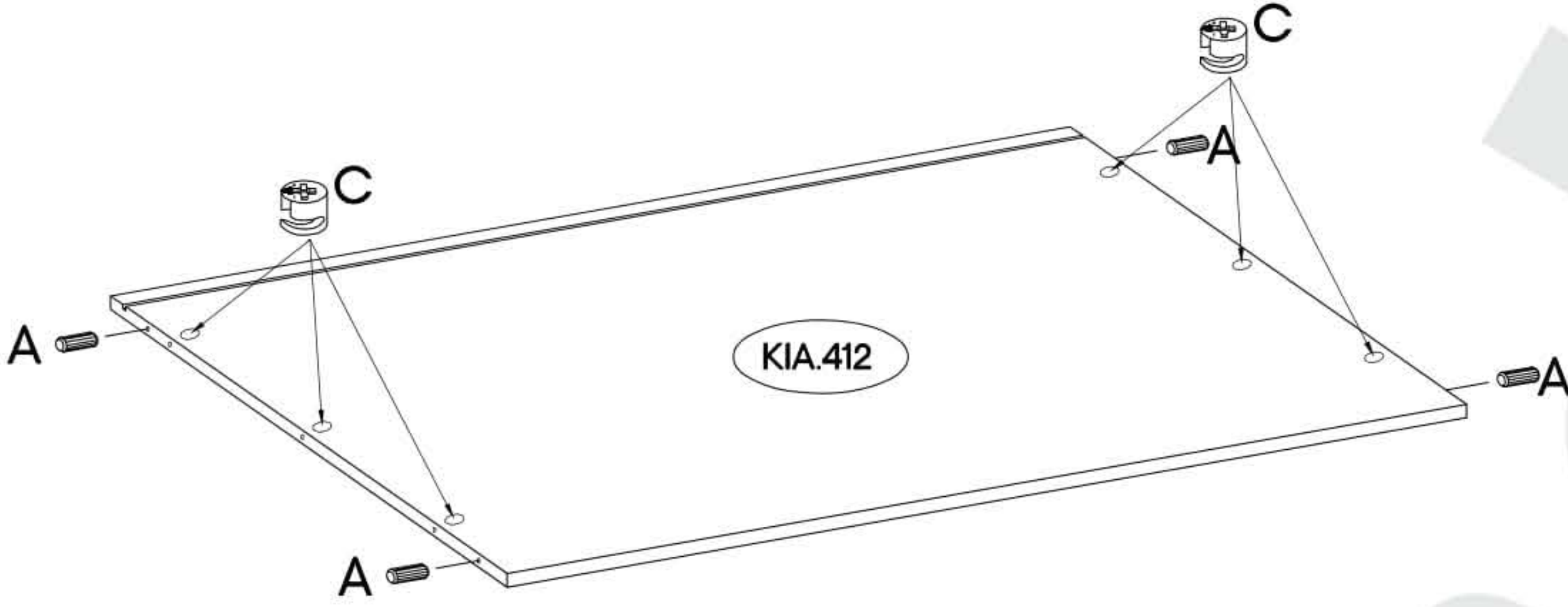
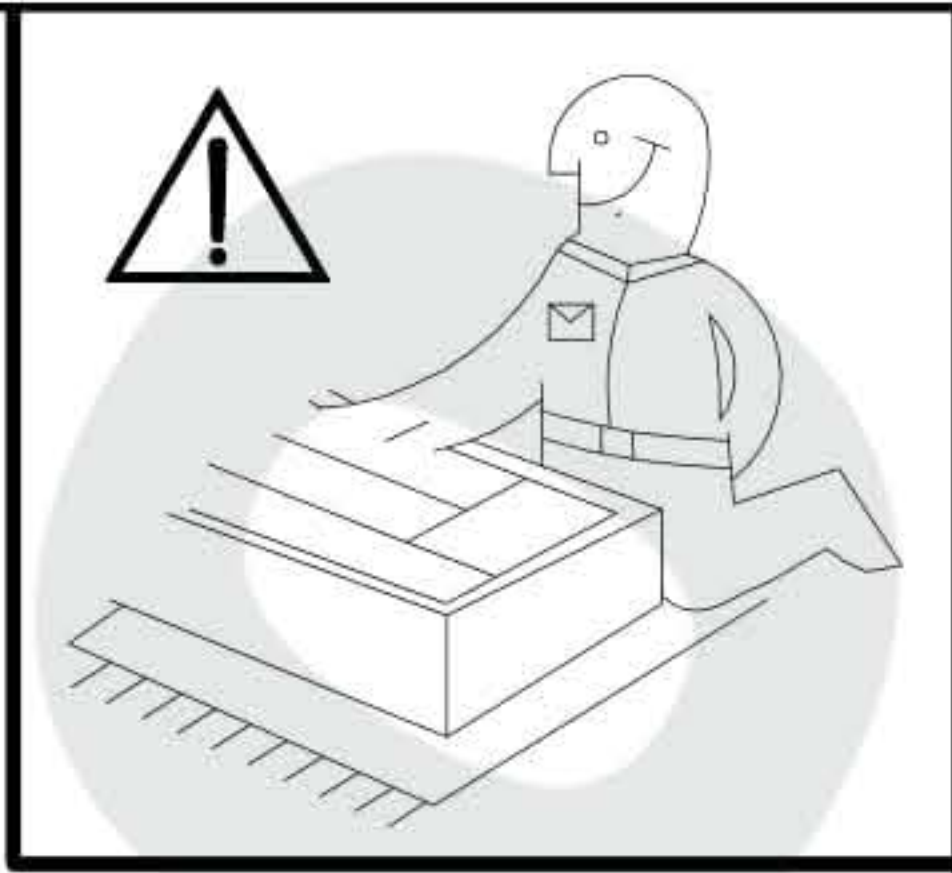


1

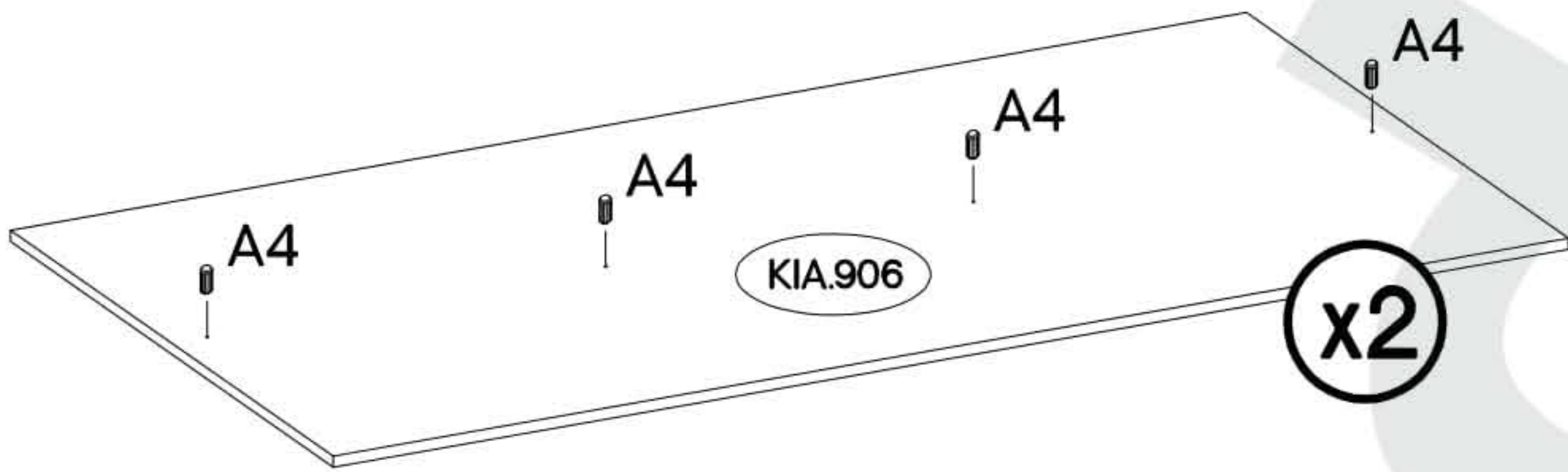
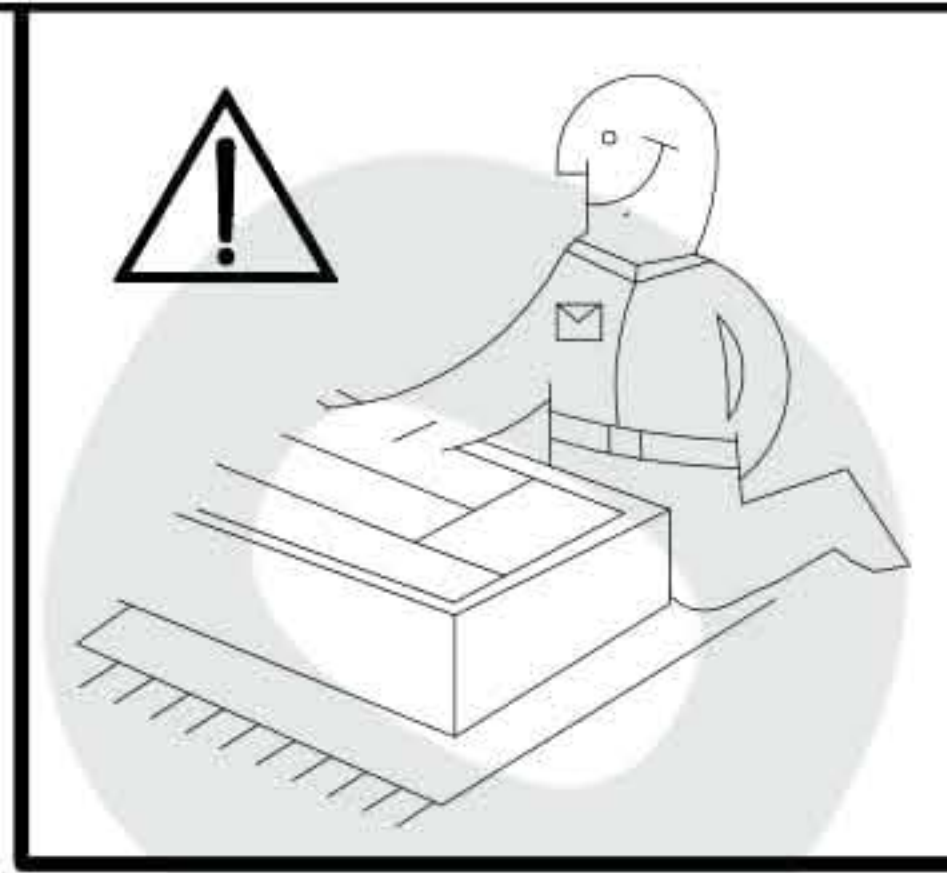
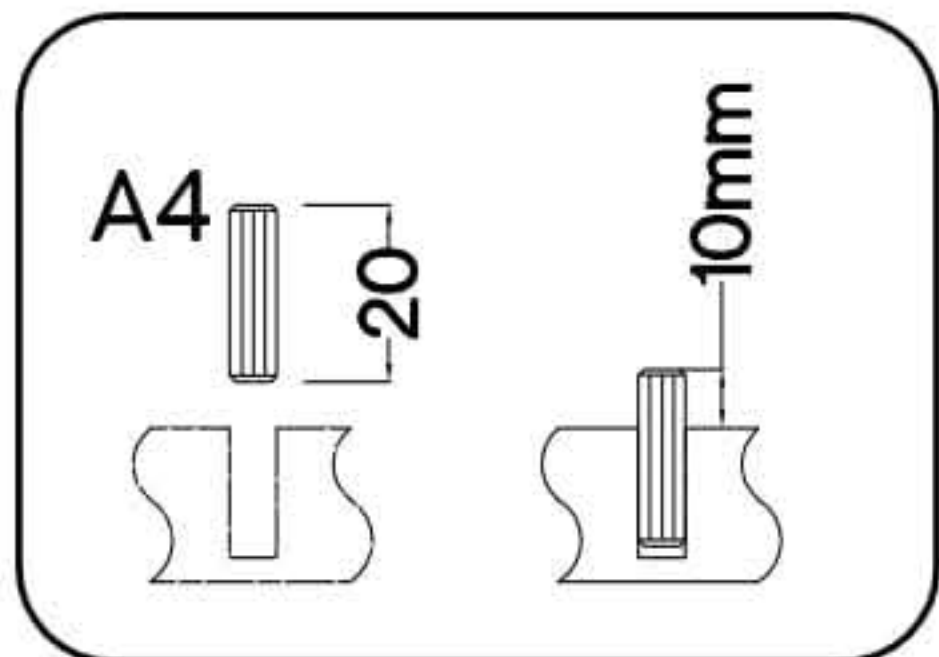
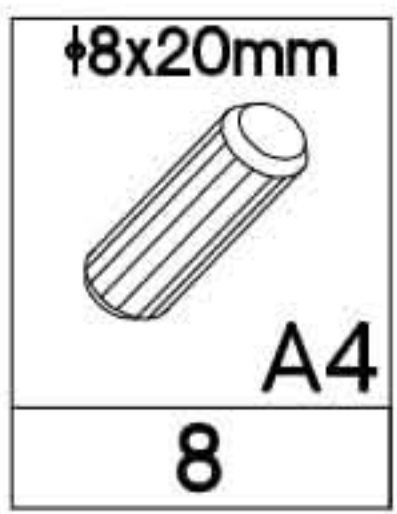
†8x30mm A 8	†8x60mm A2 2	L=20mm D2 22	6.5x48x16 F2 4	†15/12mm C 14
--------------------------	---------------------------	---------------------------	-----------------------------	----------------------------



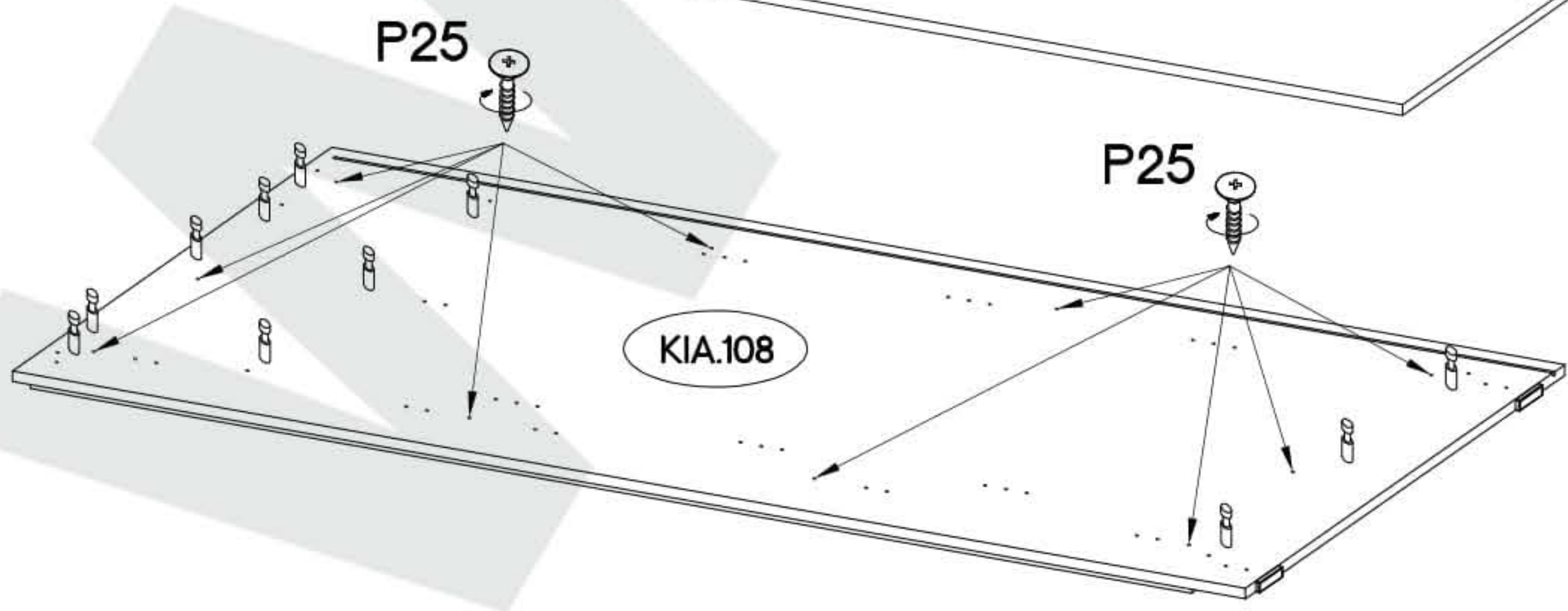
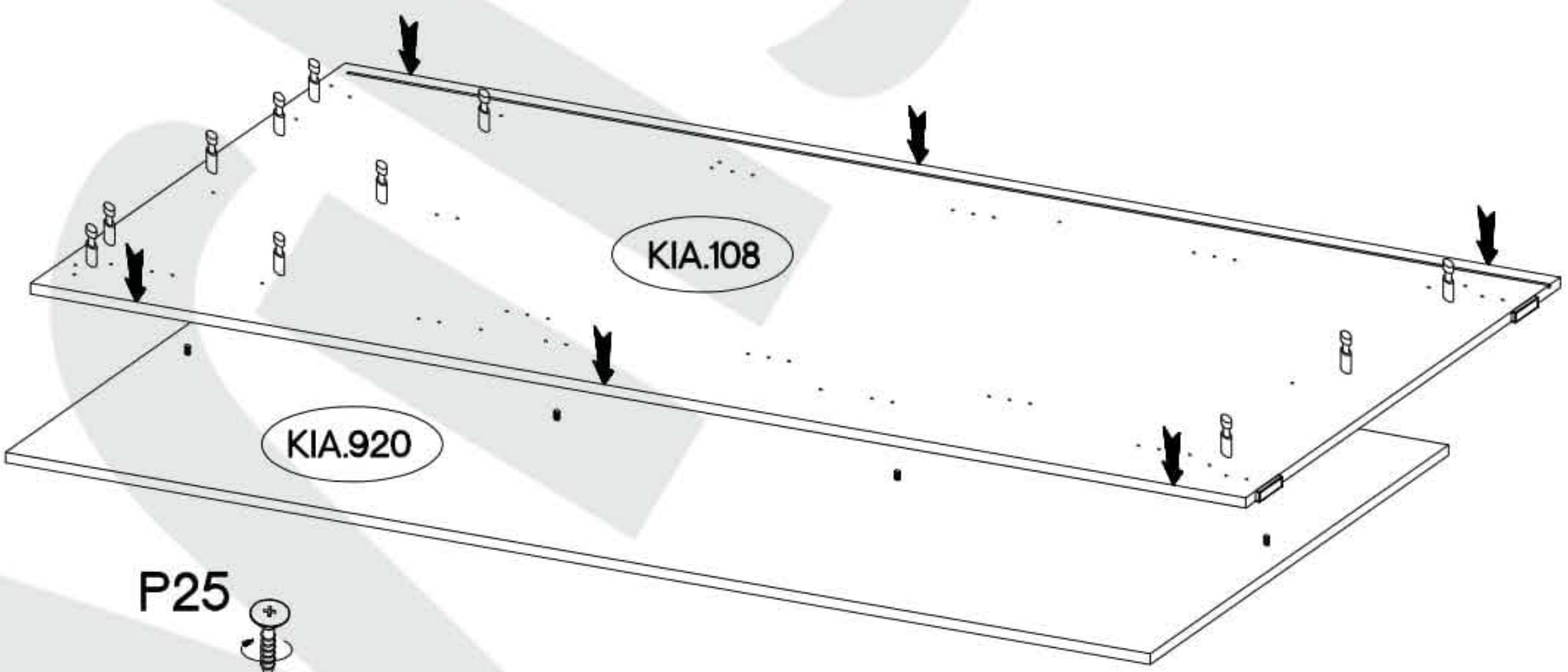
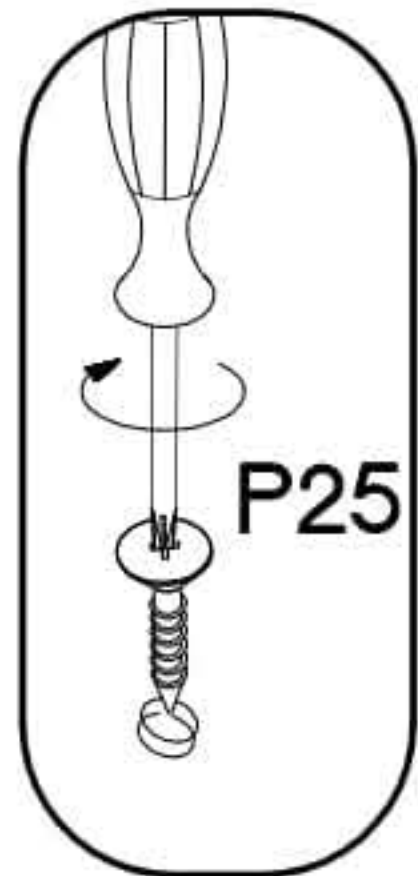
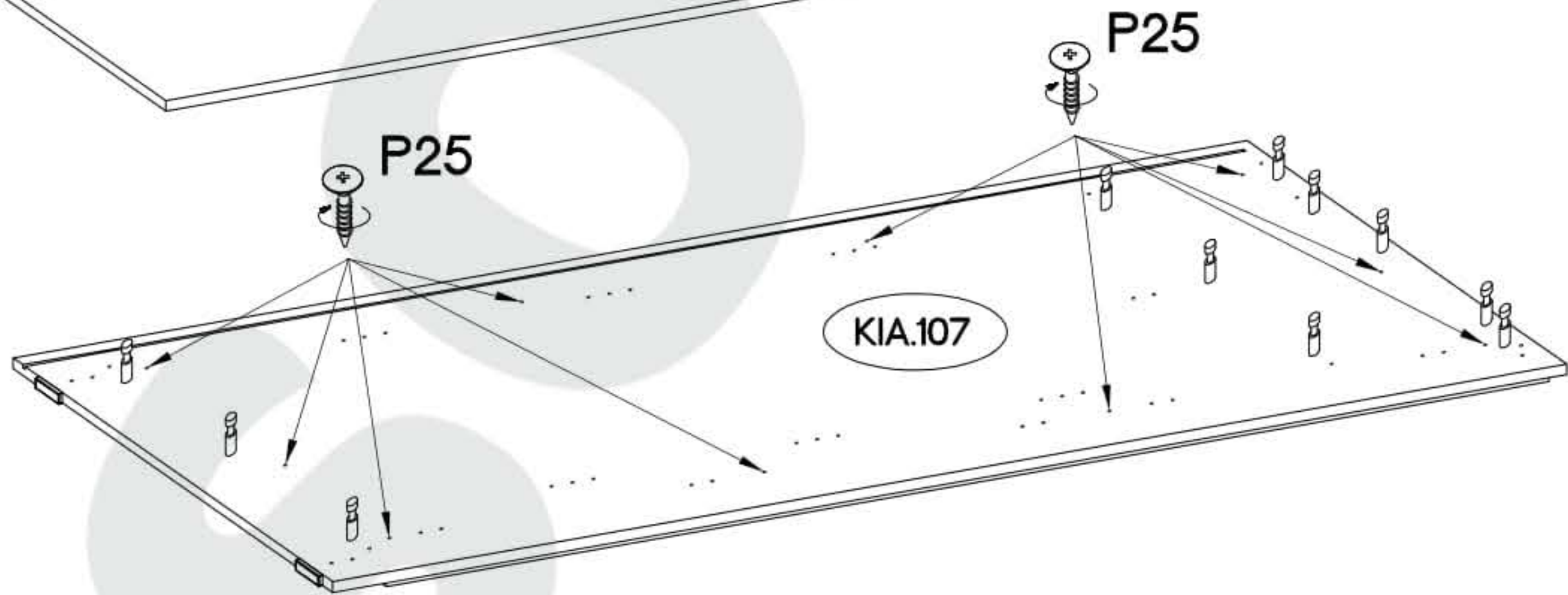
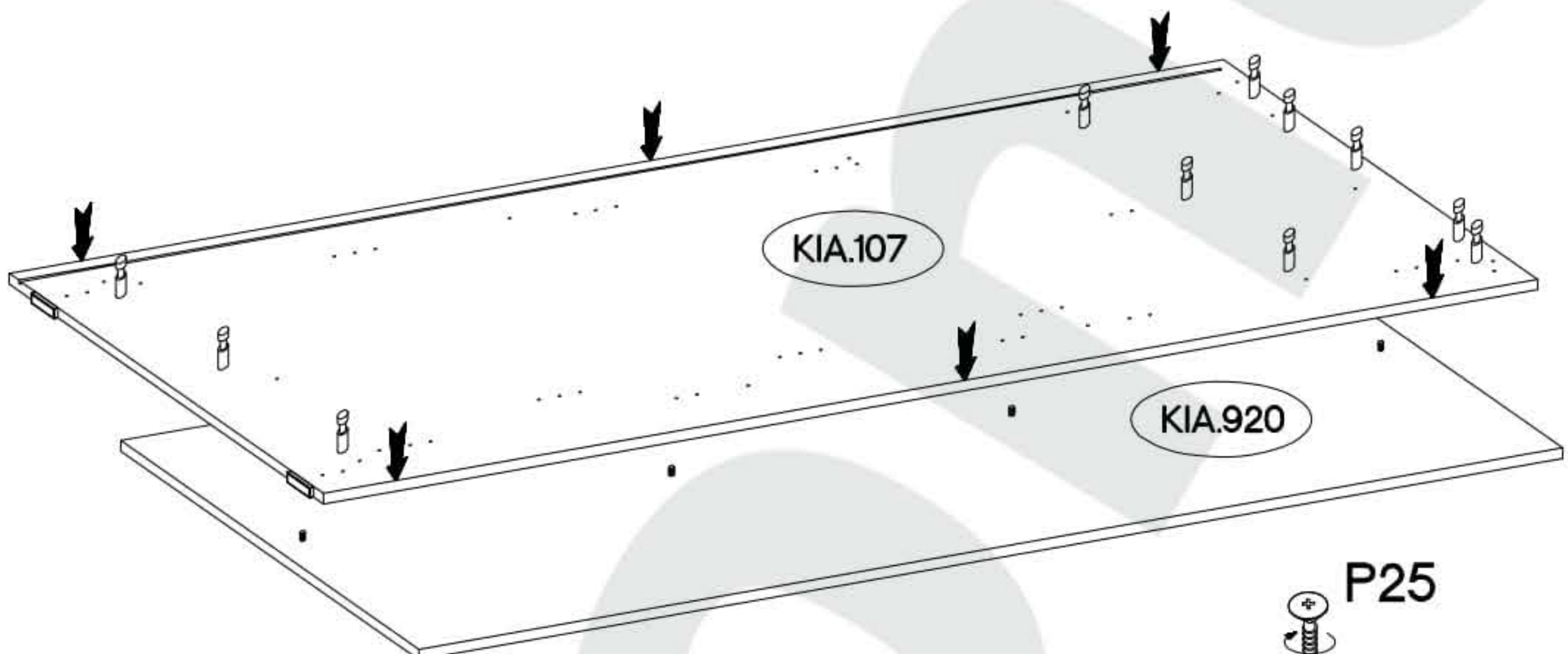
†8x30mm 	L=20mm 	†15/12mm 		†4.0x16mm 	†15x5mm 
A	D2	C	T3	P1	F4
20	2	16	2	2	2



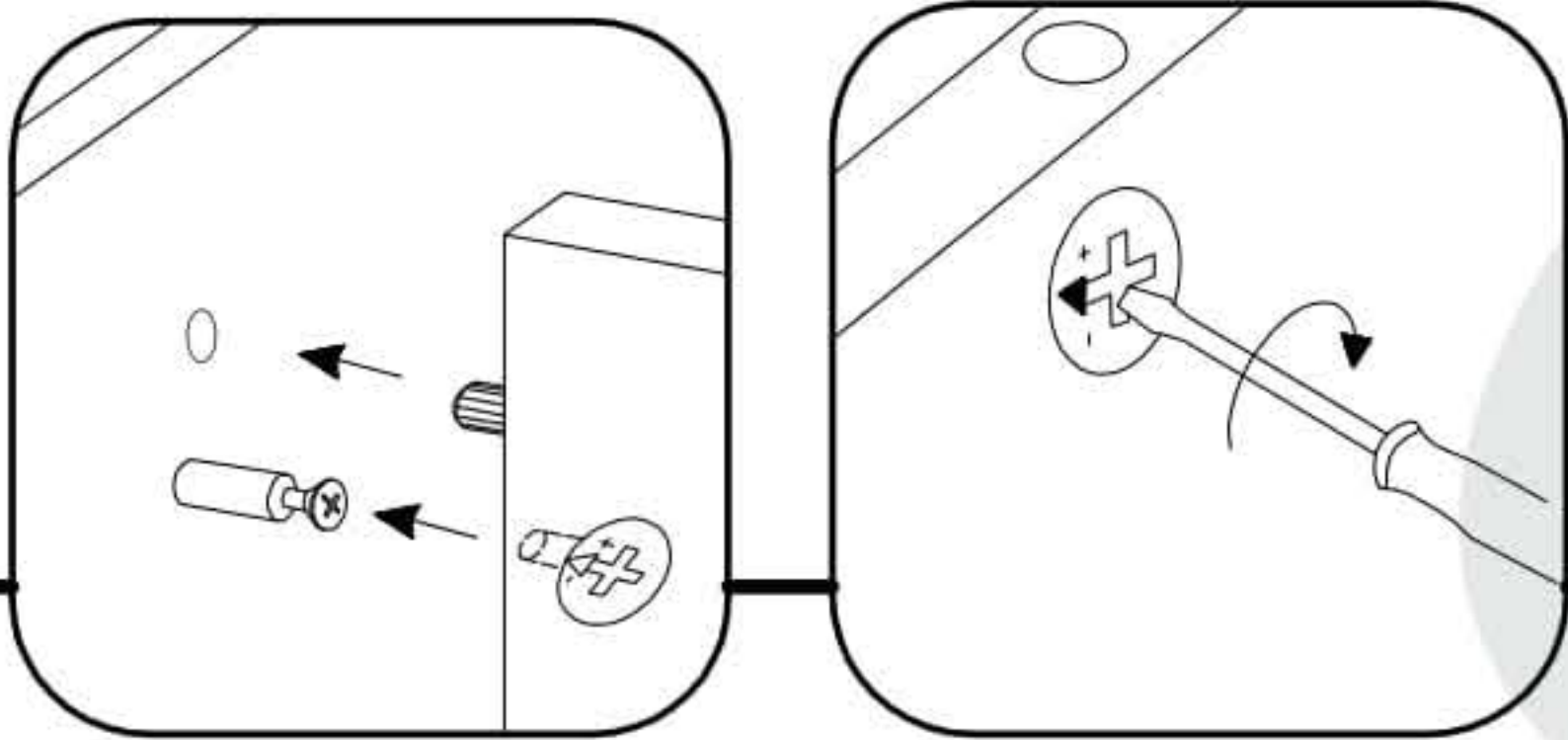
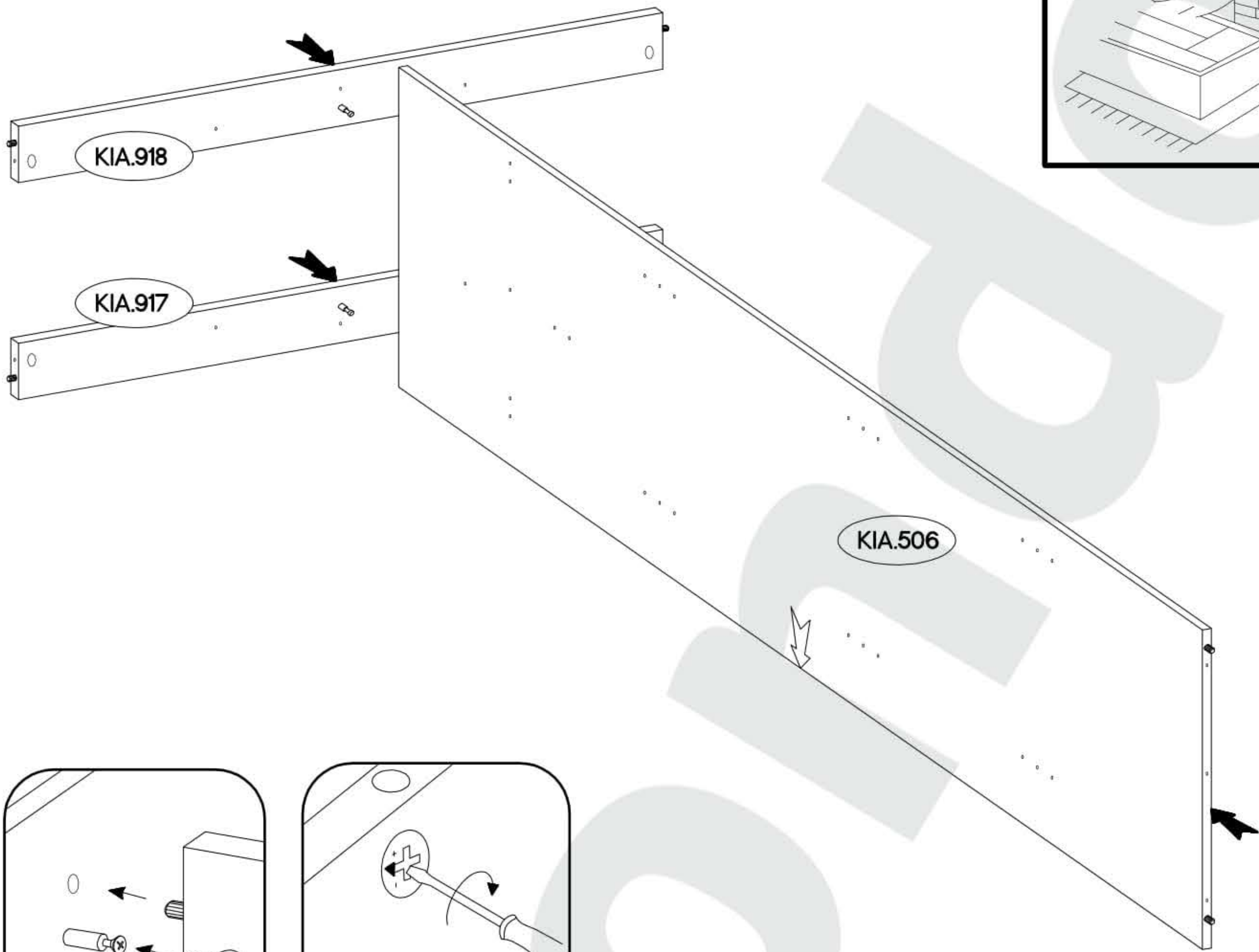
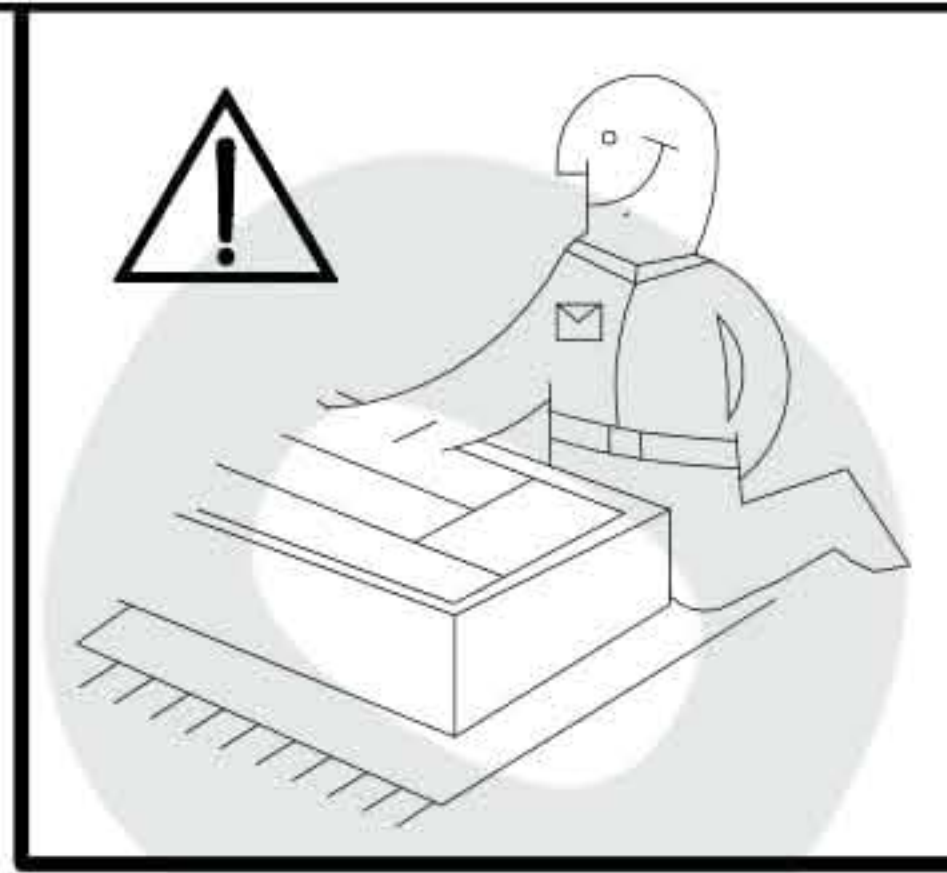
3



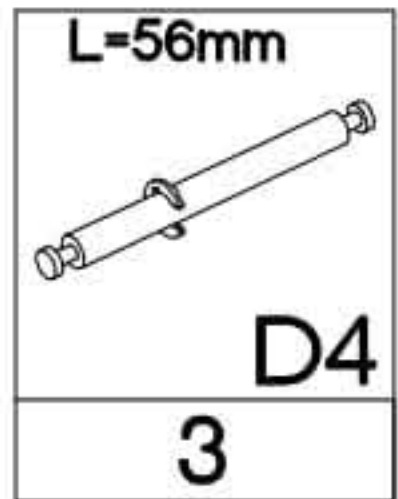
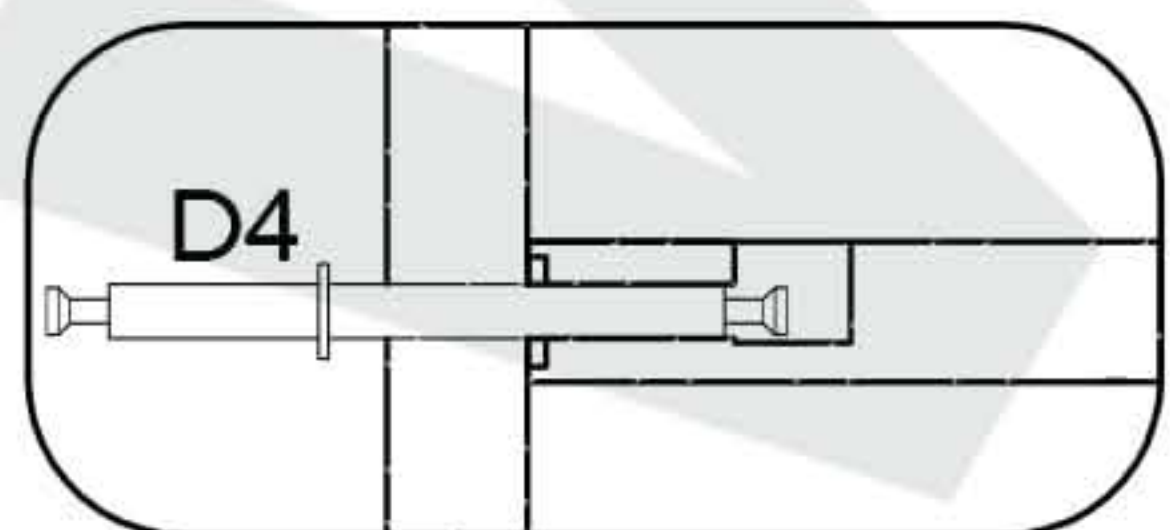
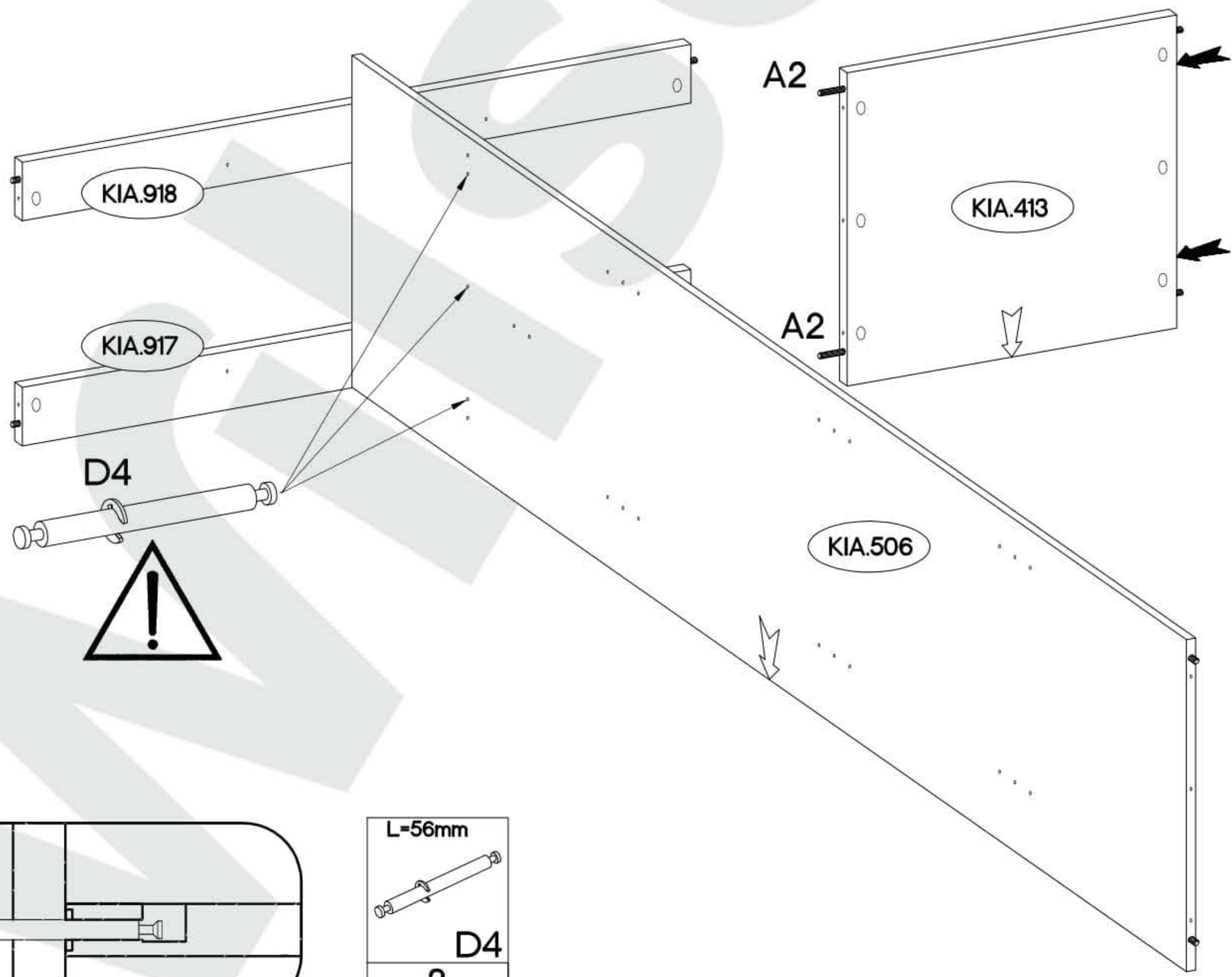
4



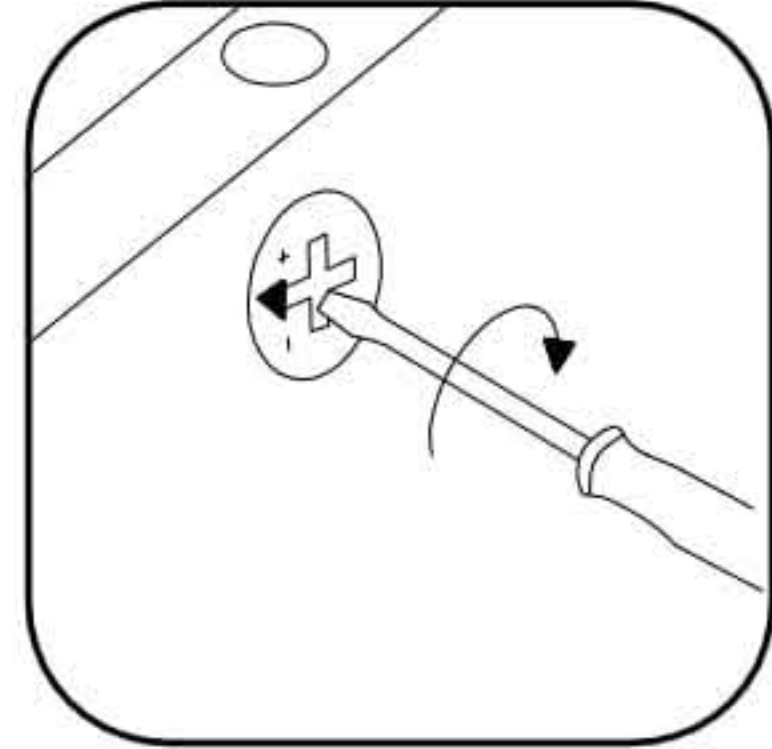
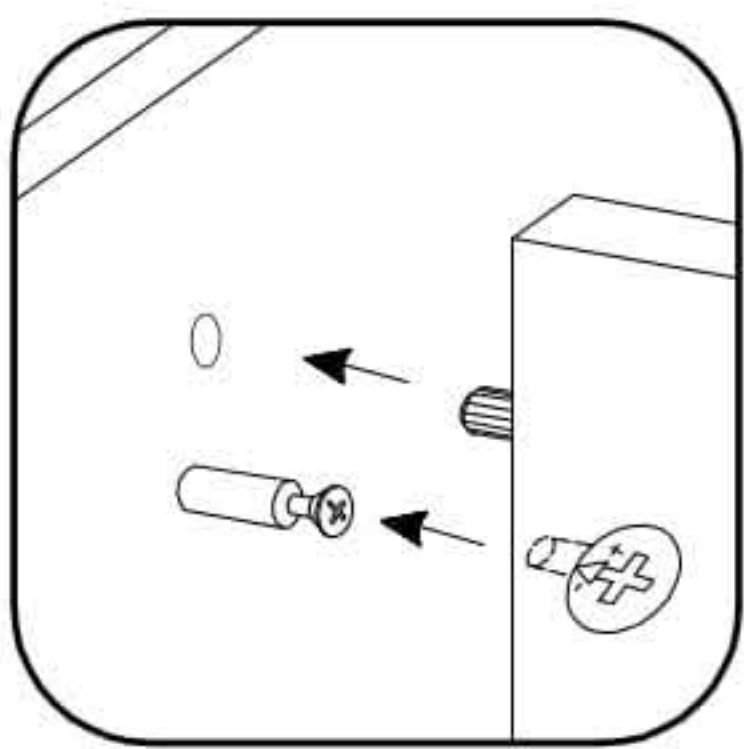
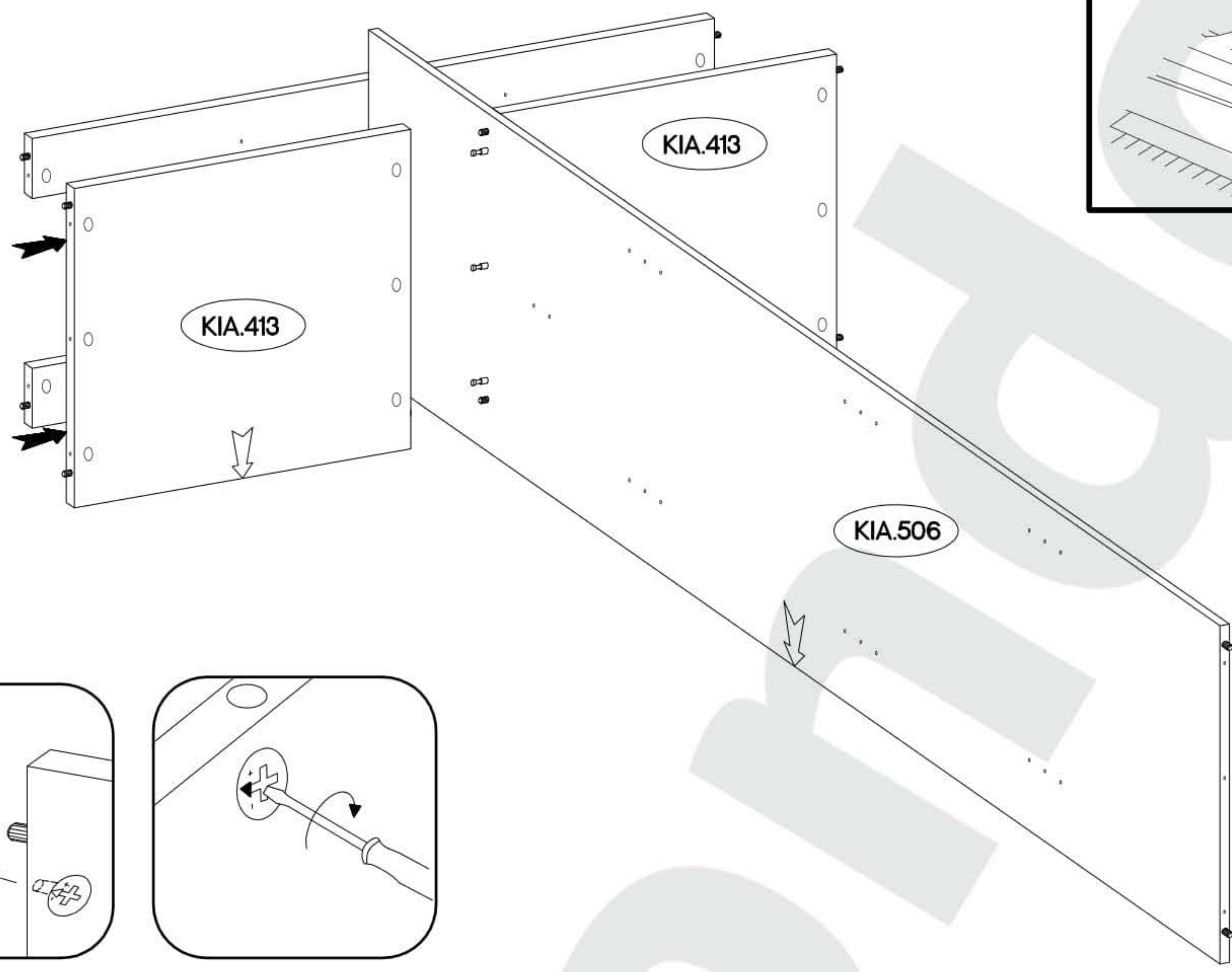
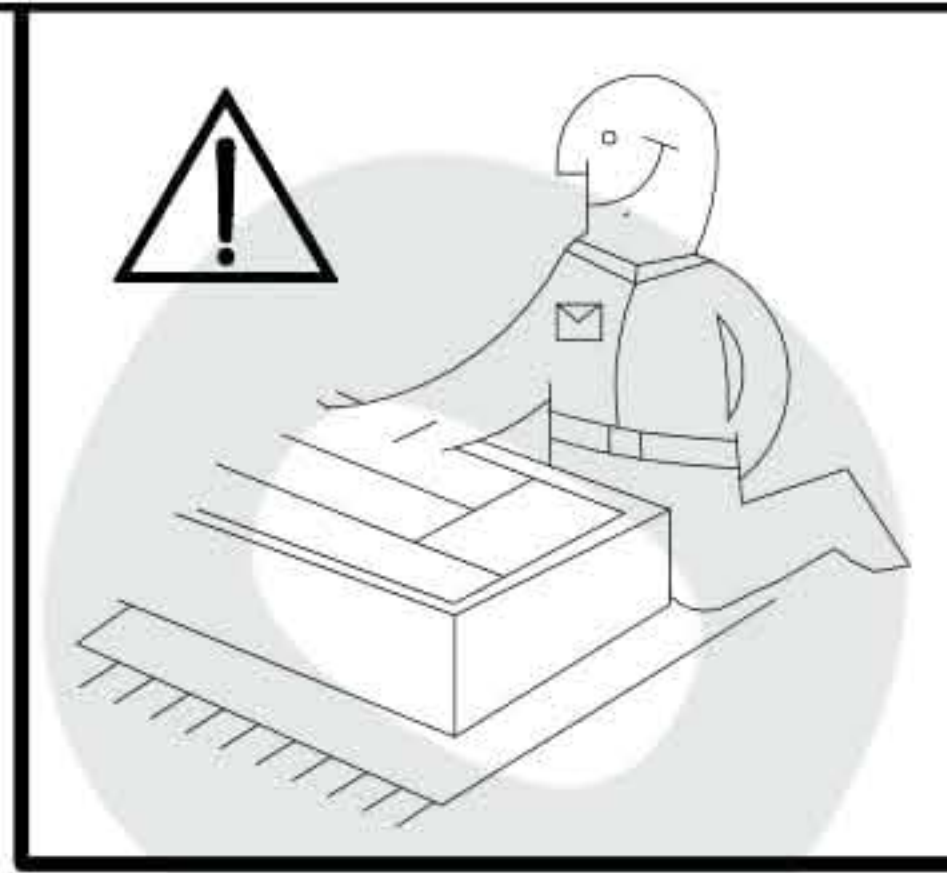
5



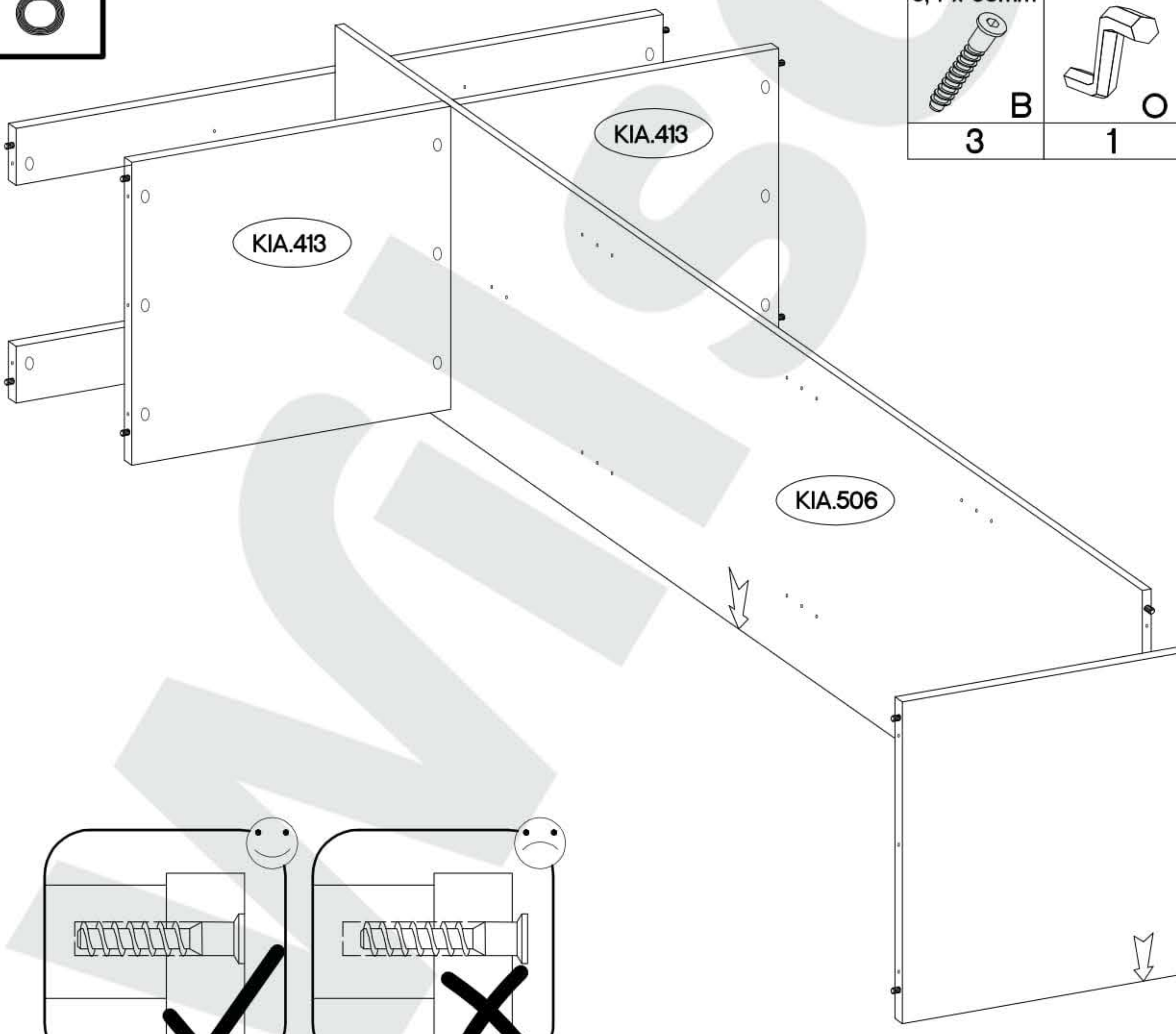
6



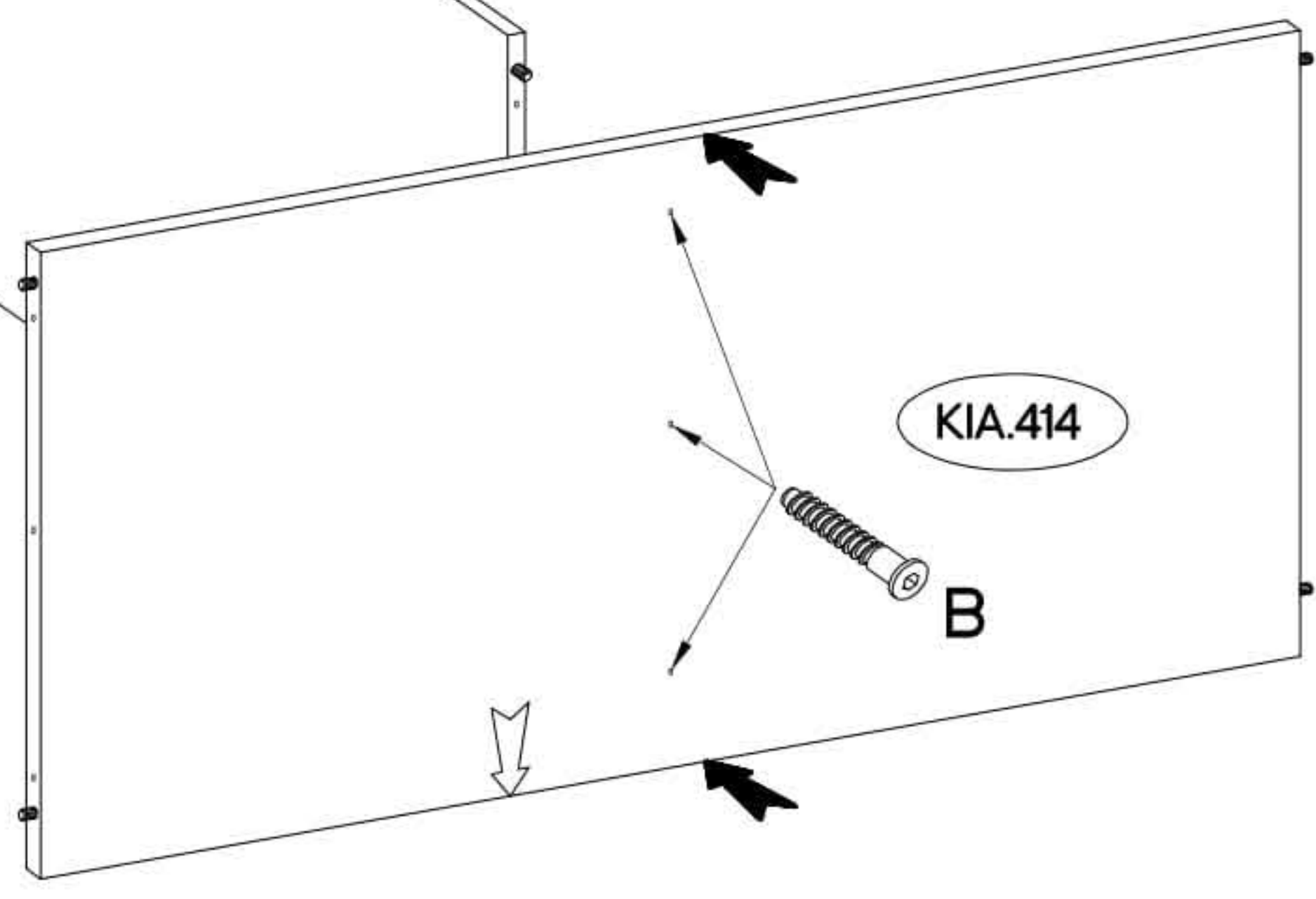
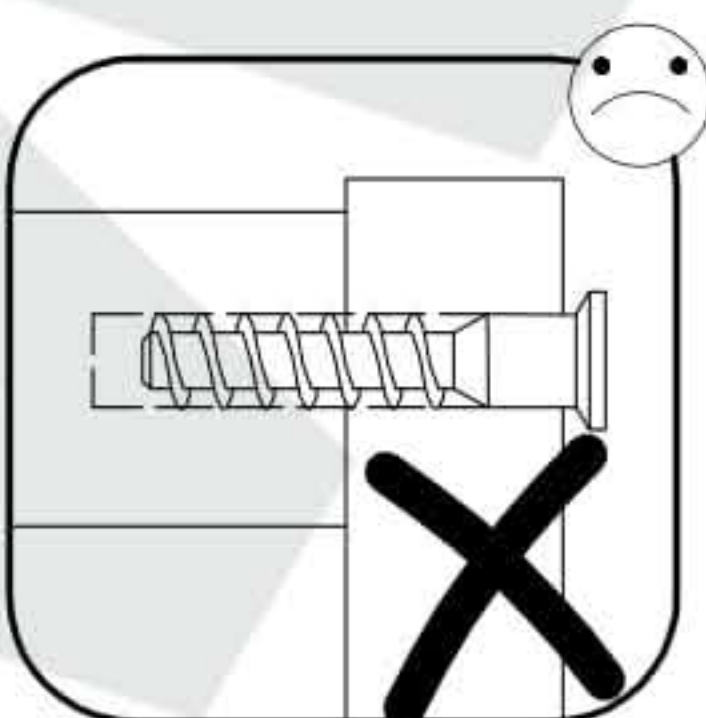
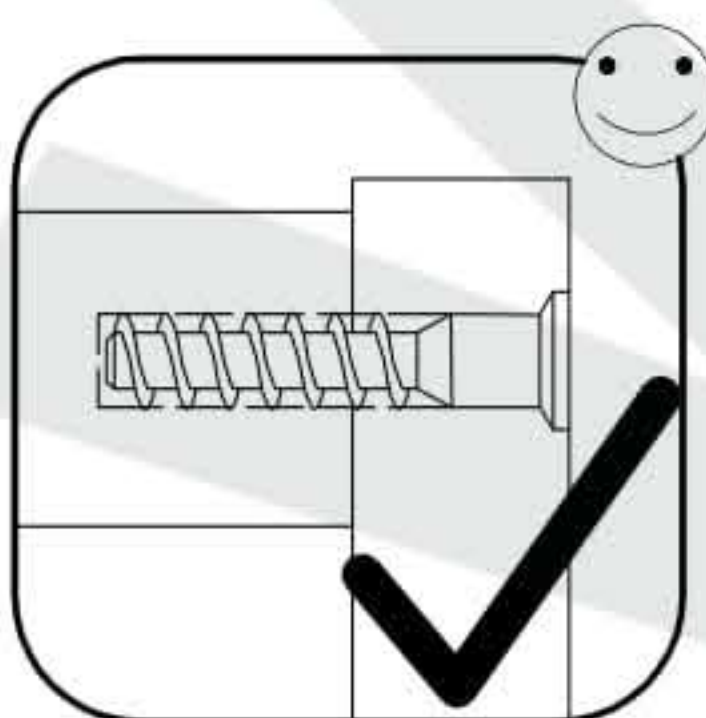
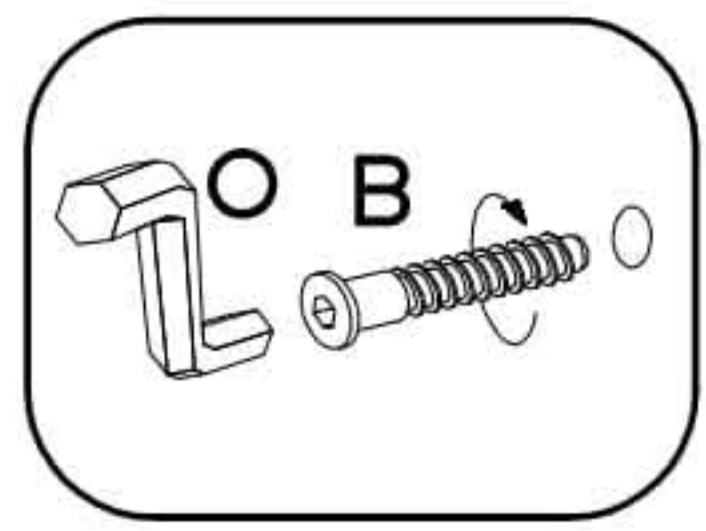
7

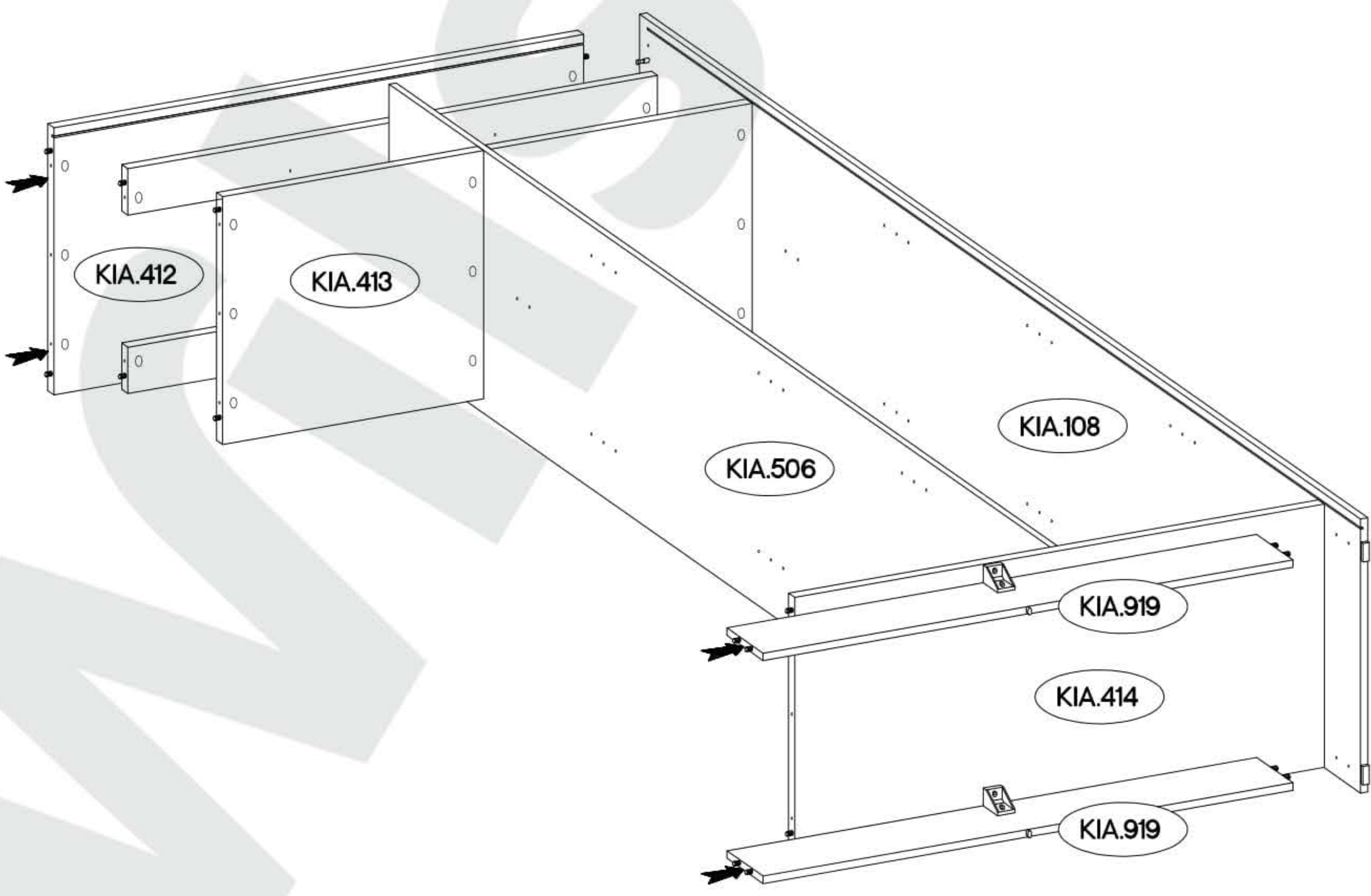
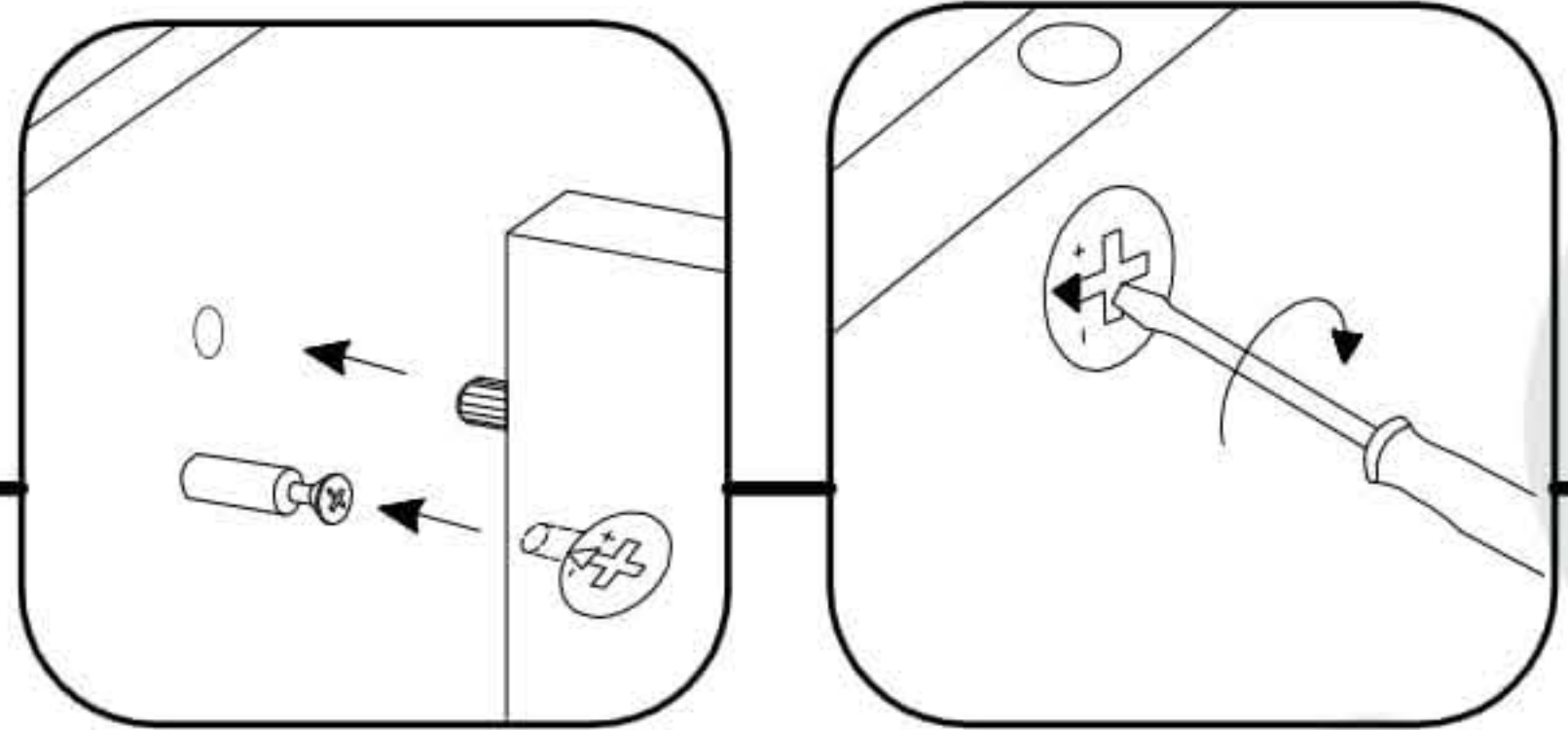
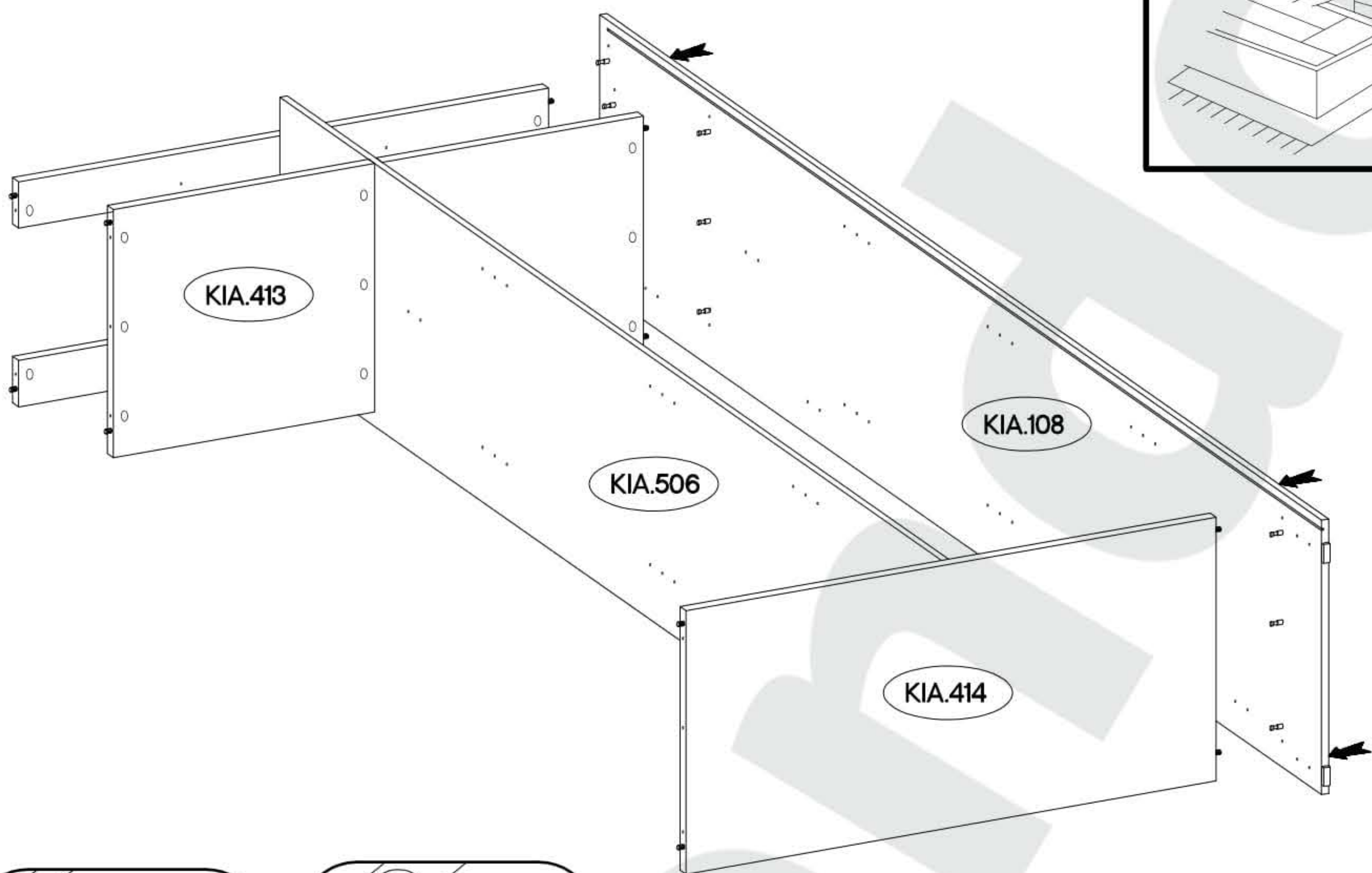
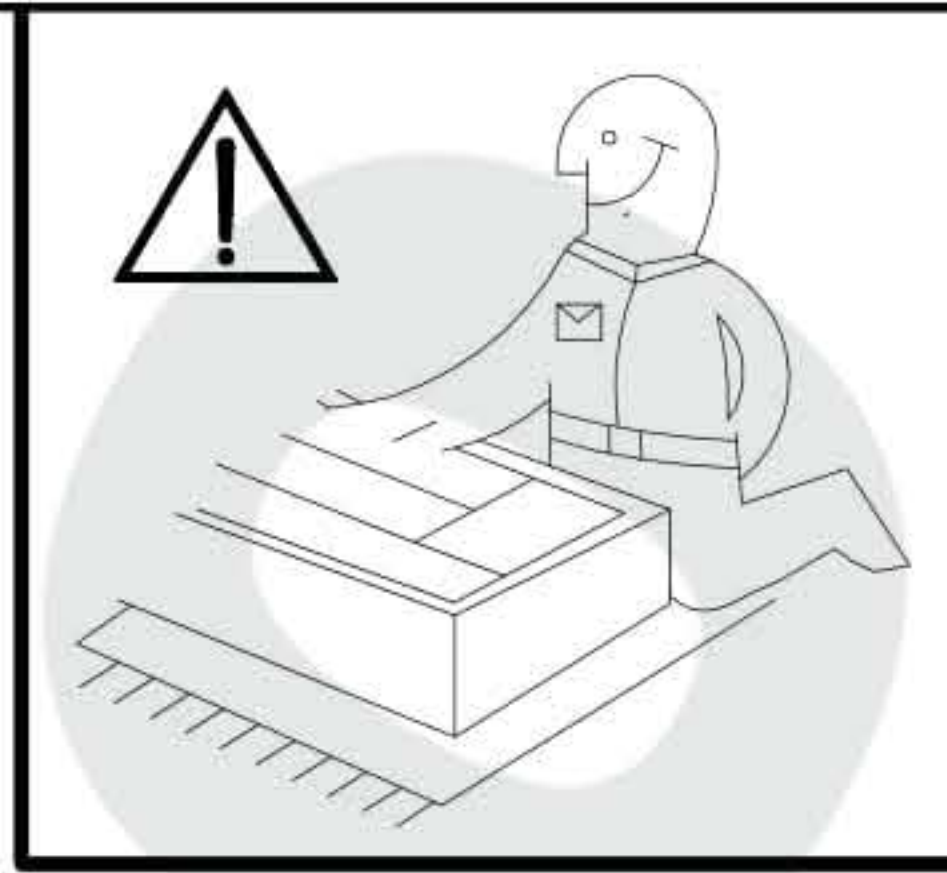


8

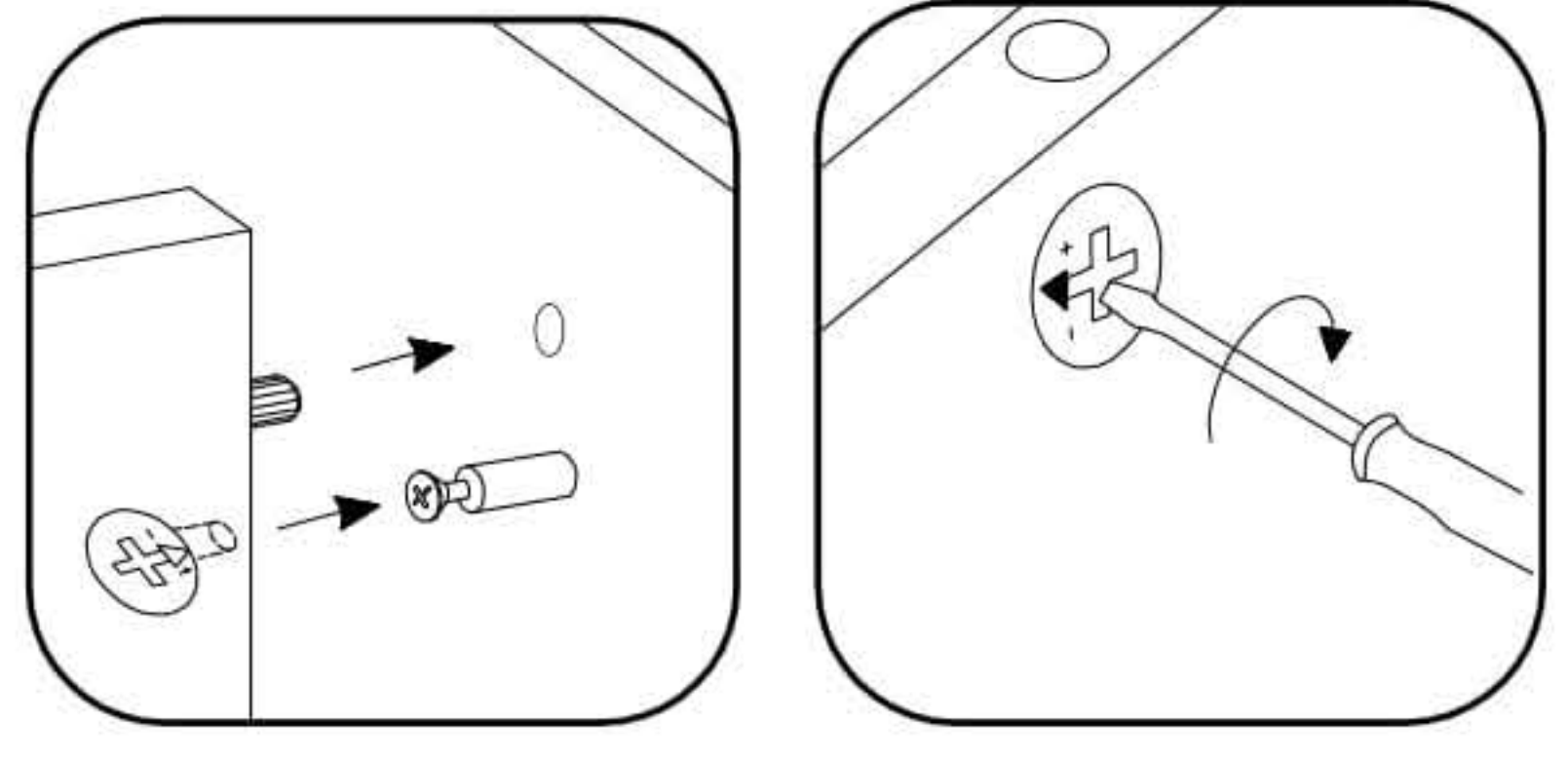
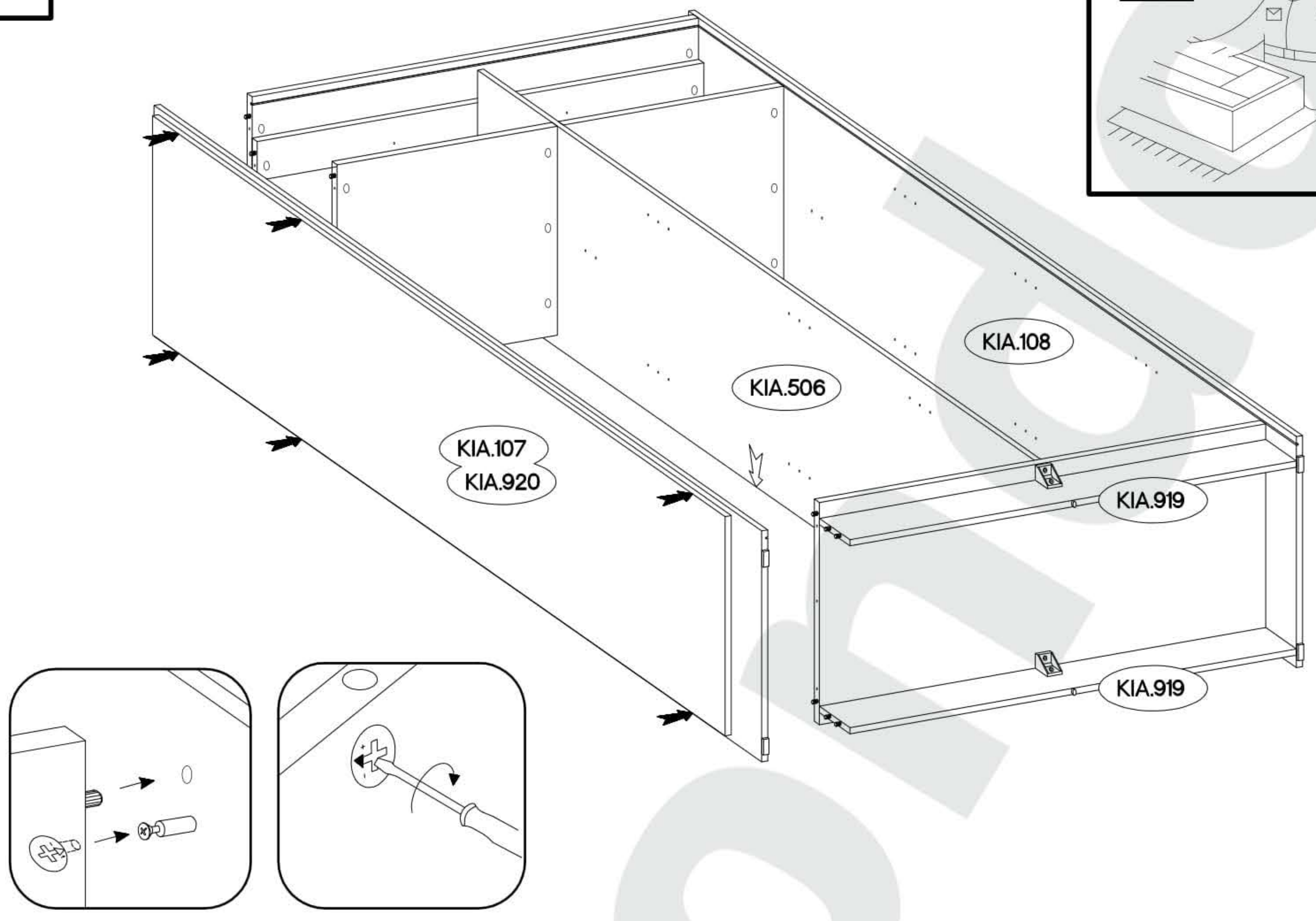
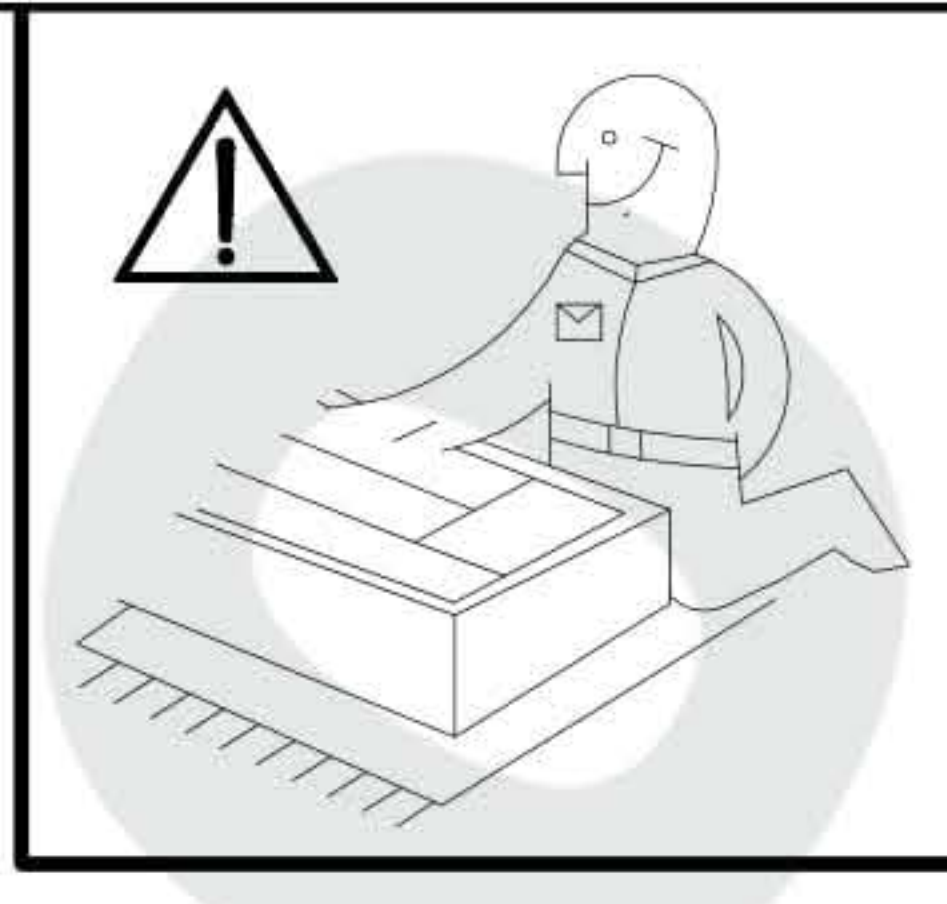


6,4 x 50mm	
B	O
3	1





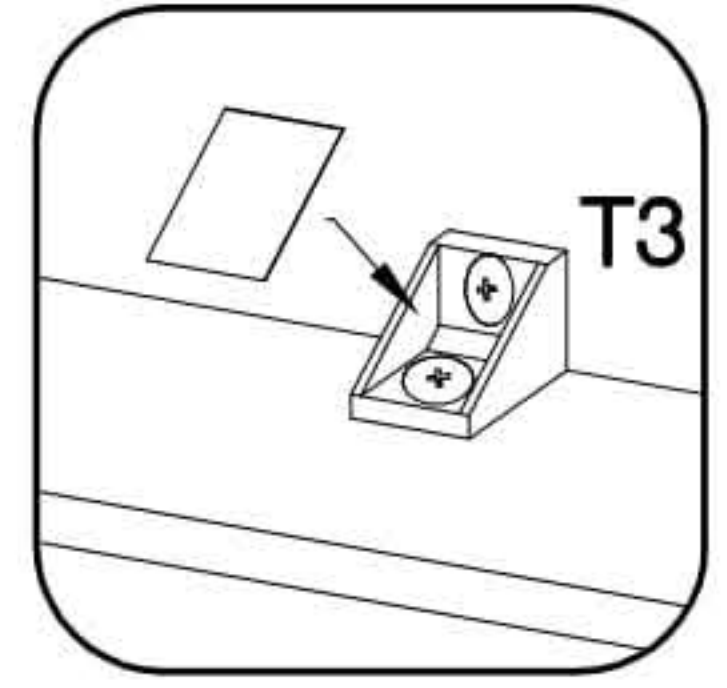
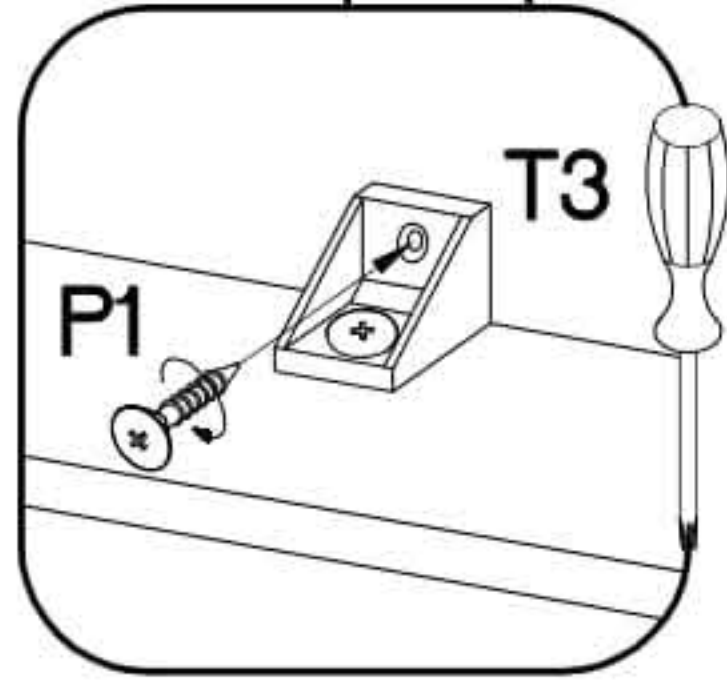
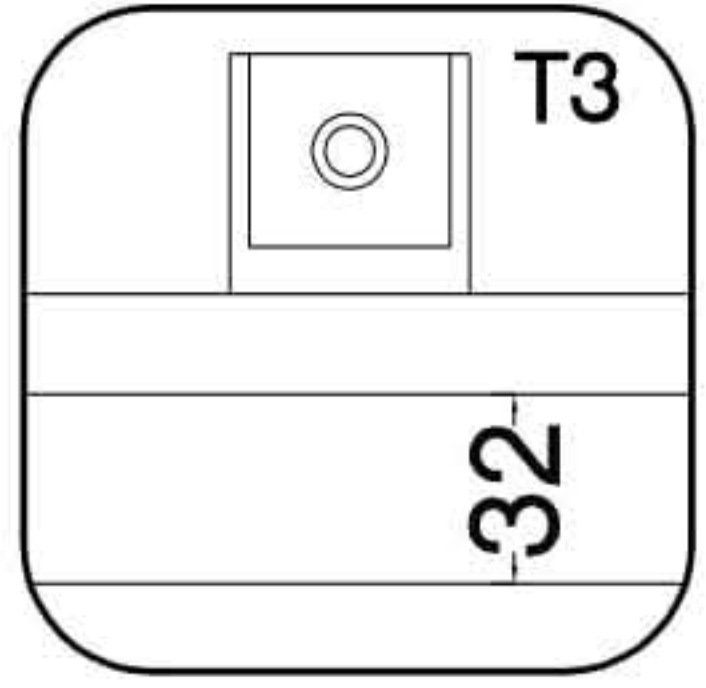
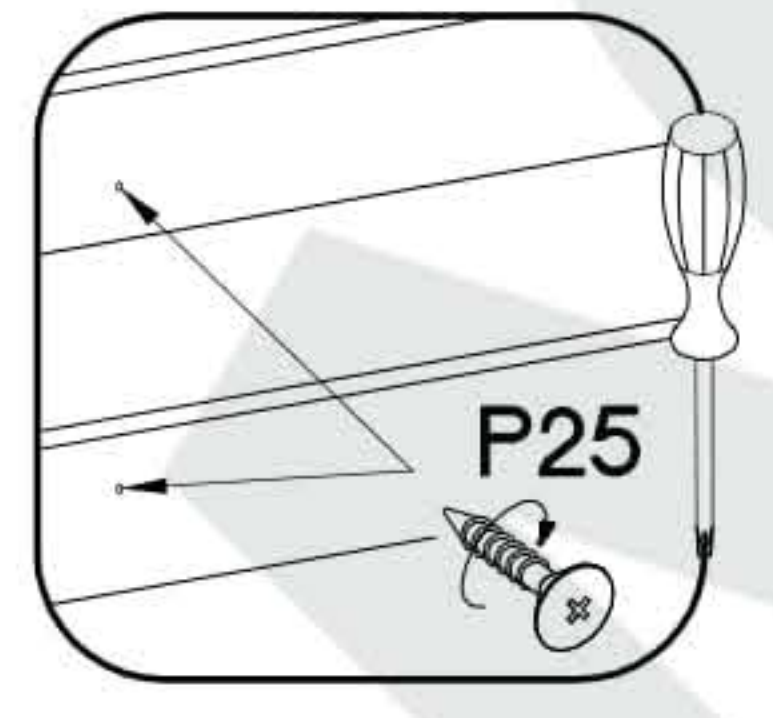
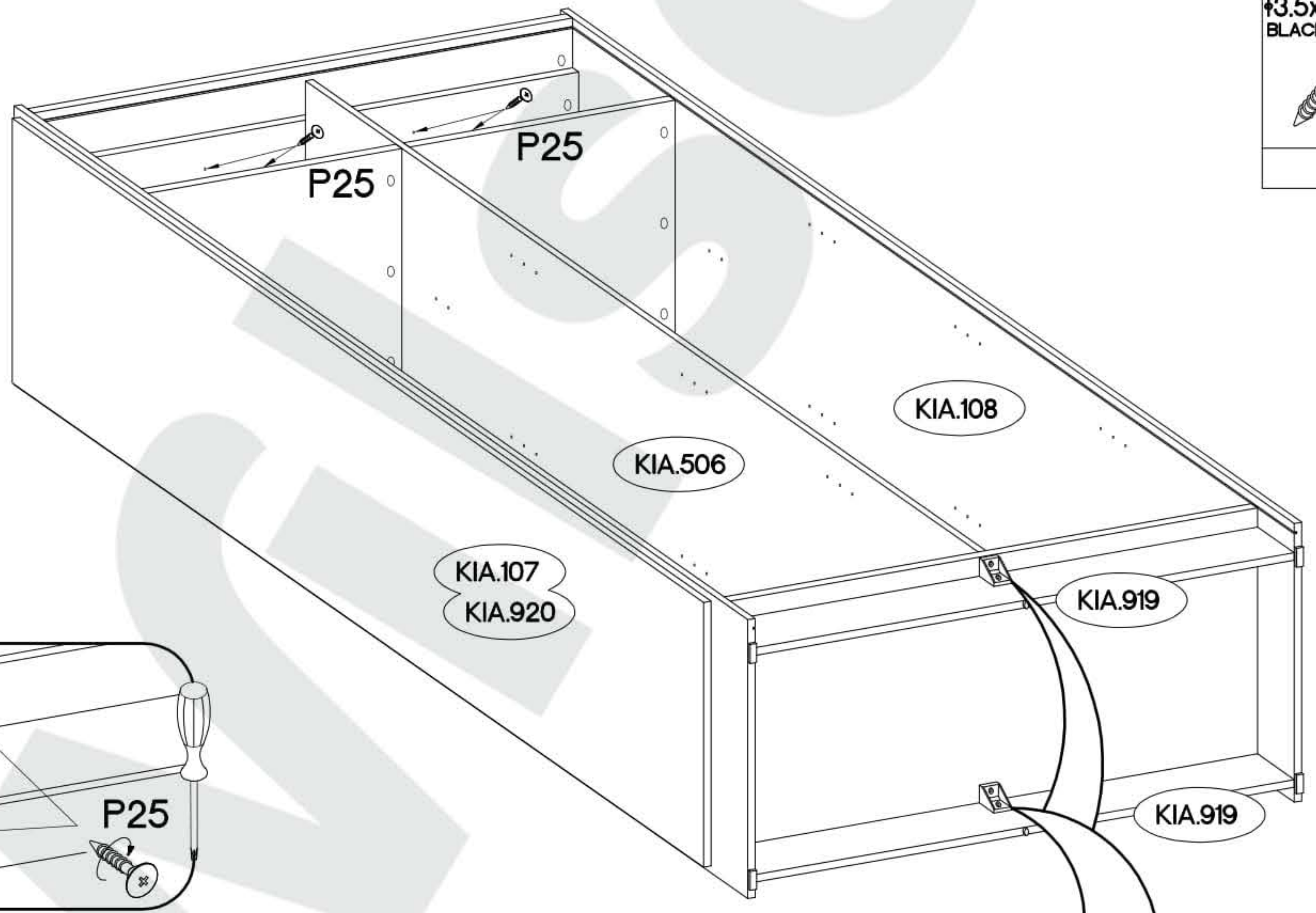



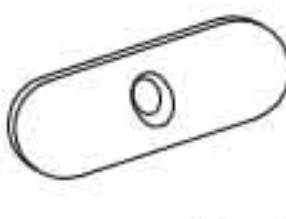
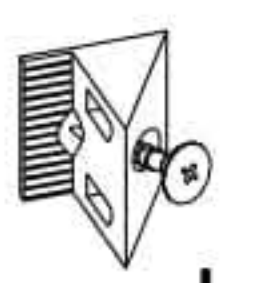
11

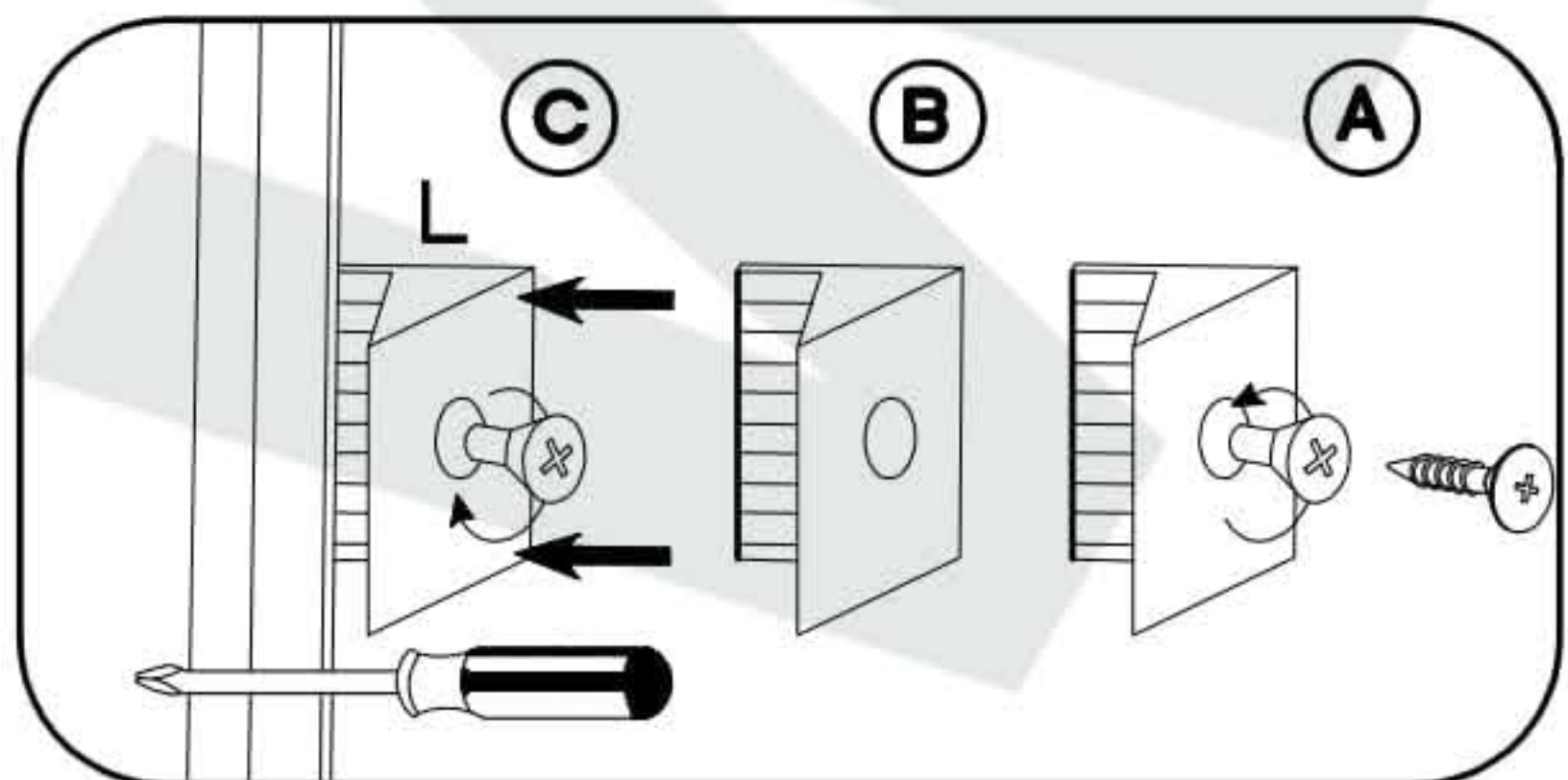
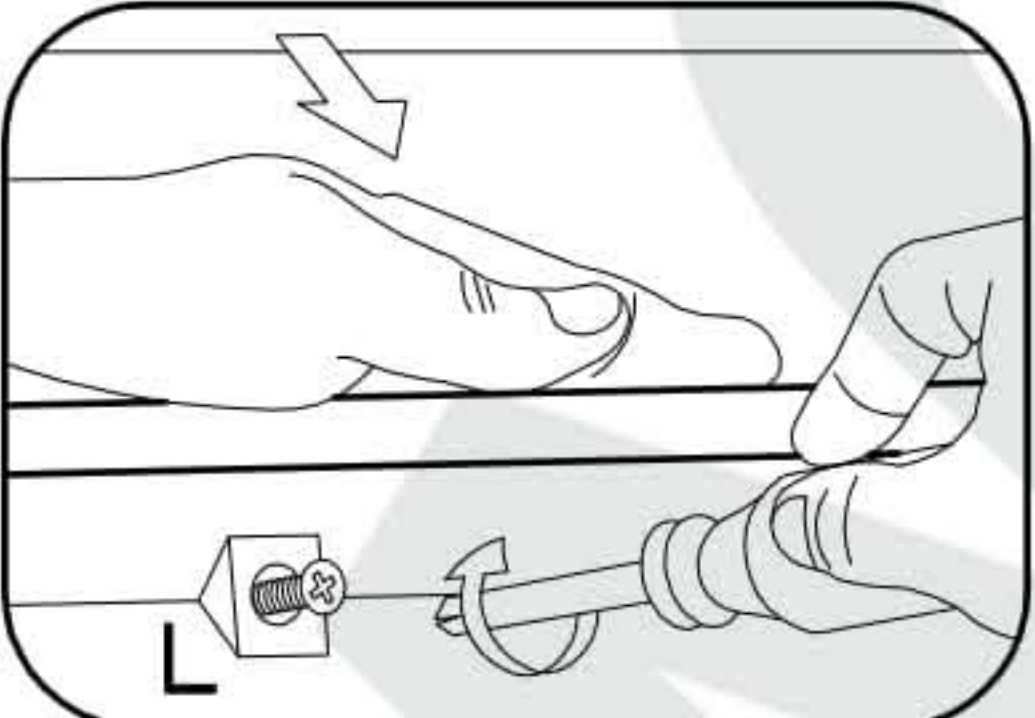
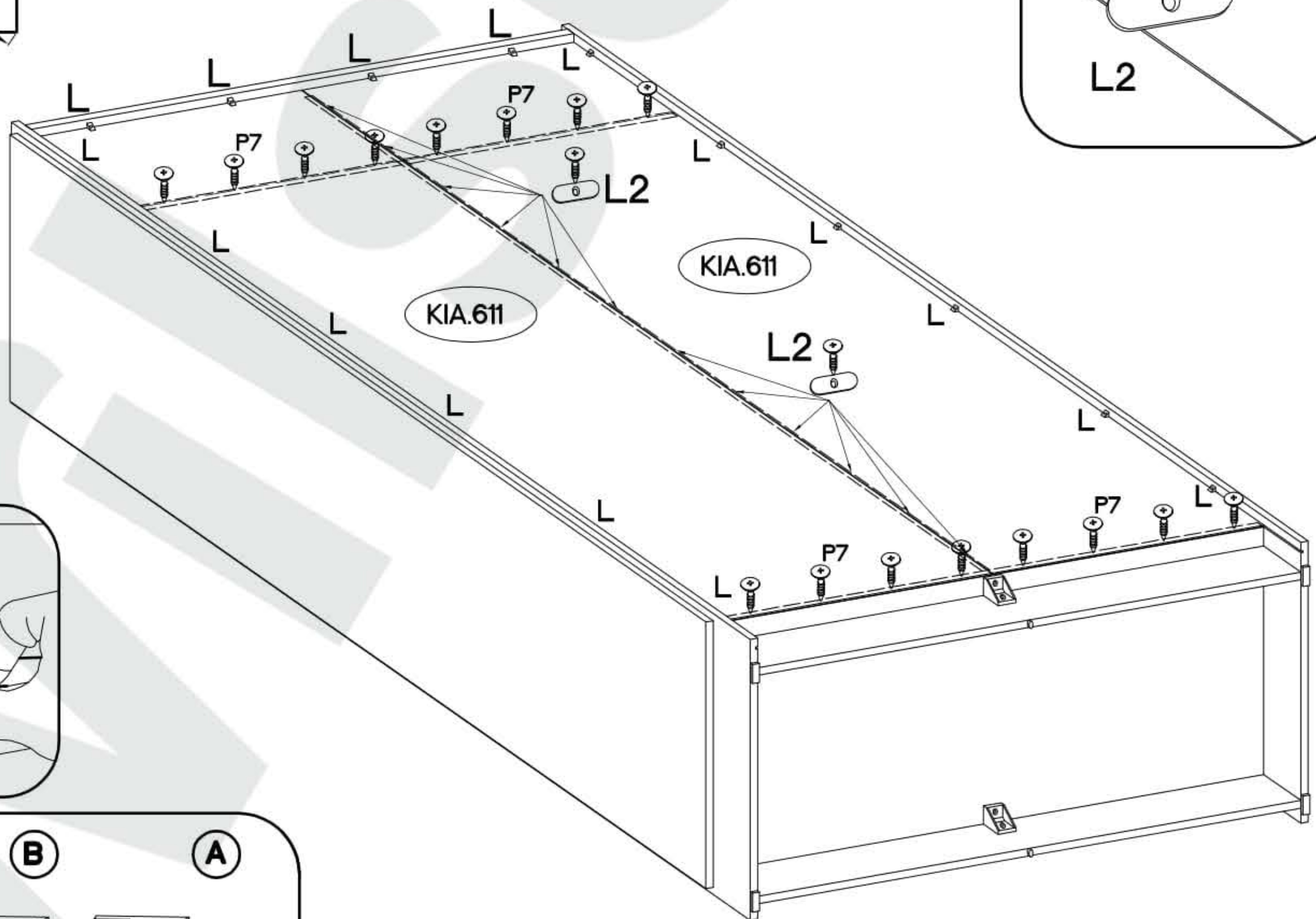
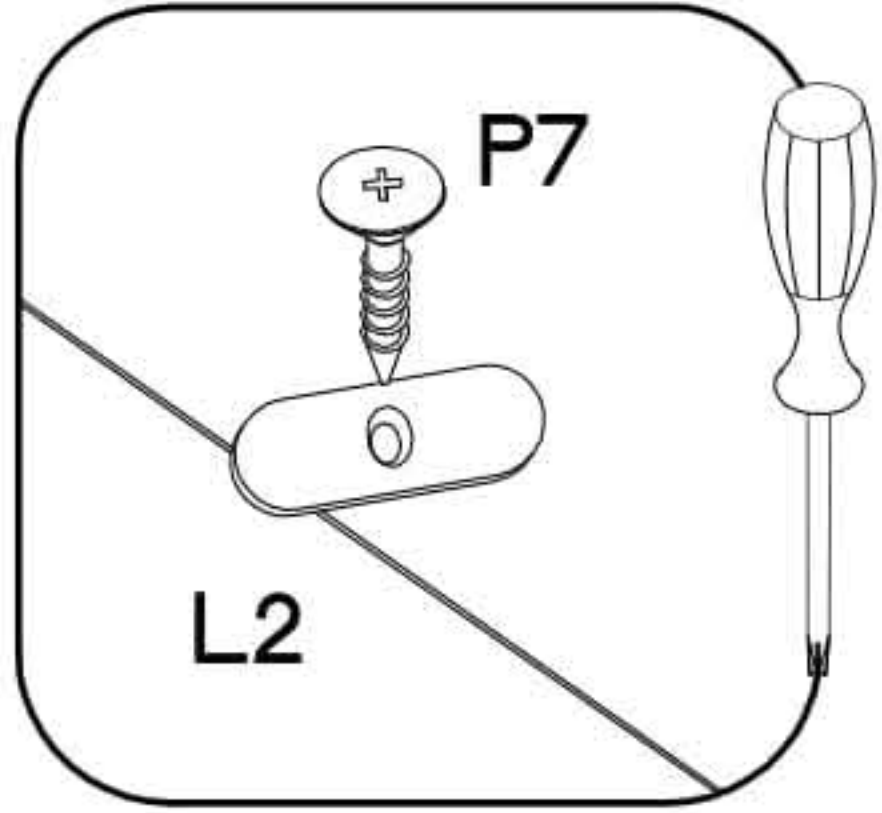
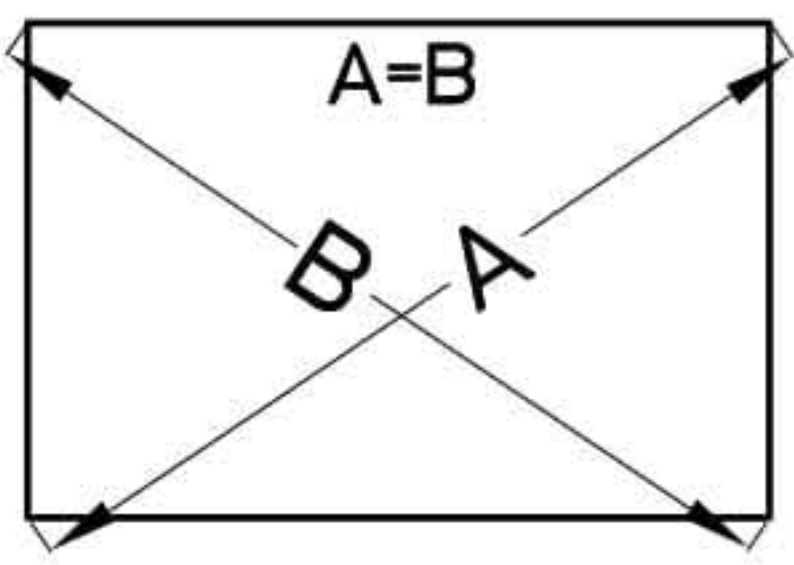
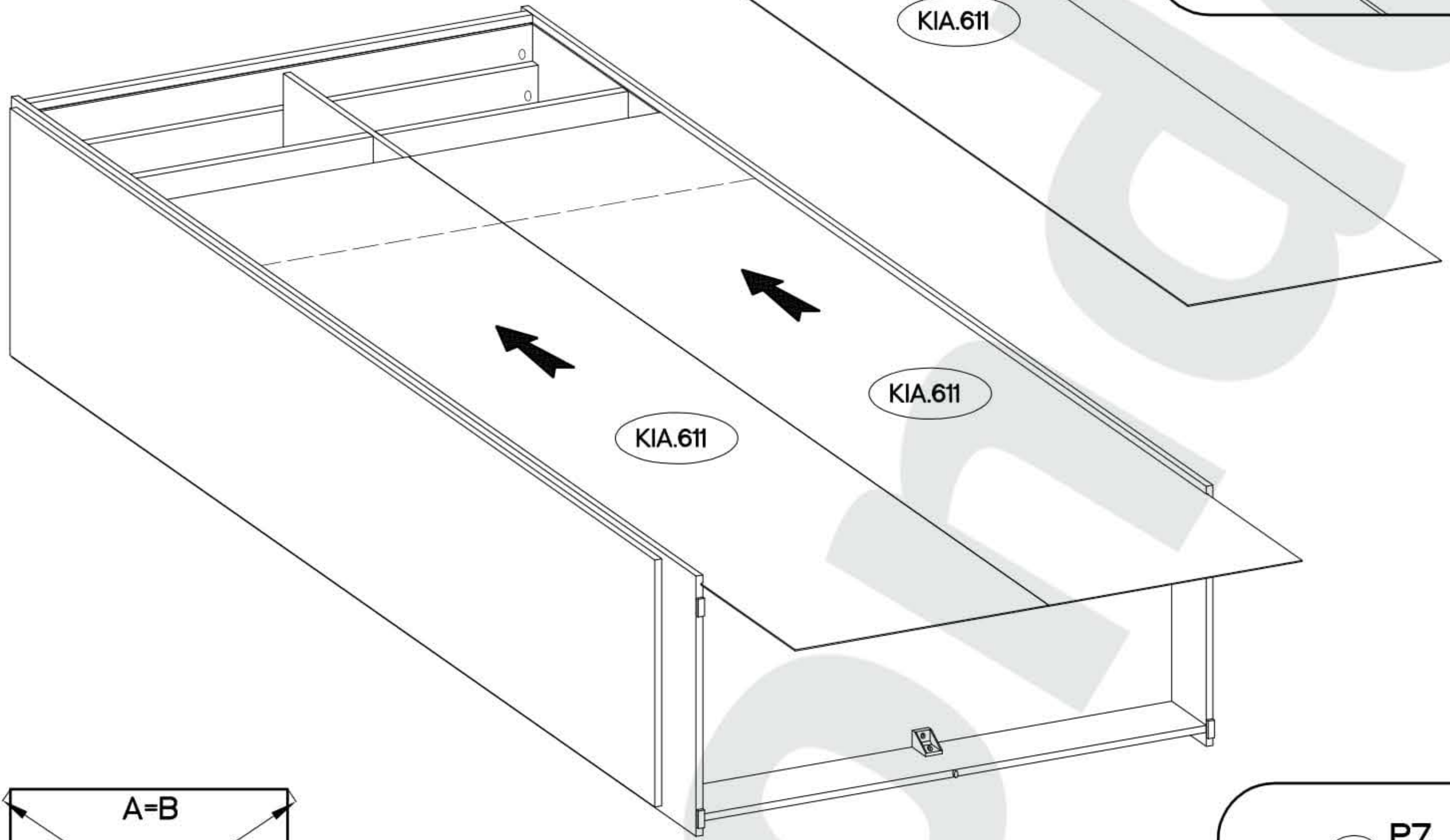
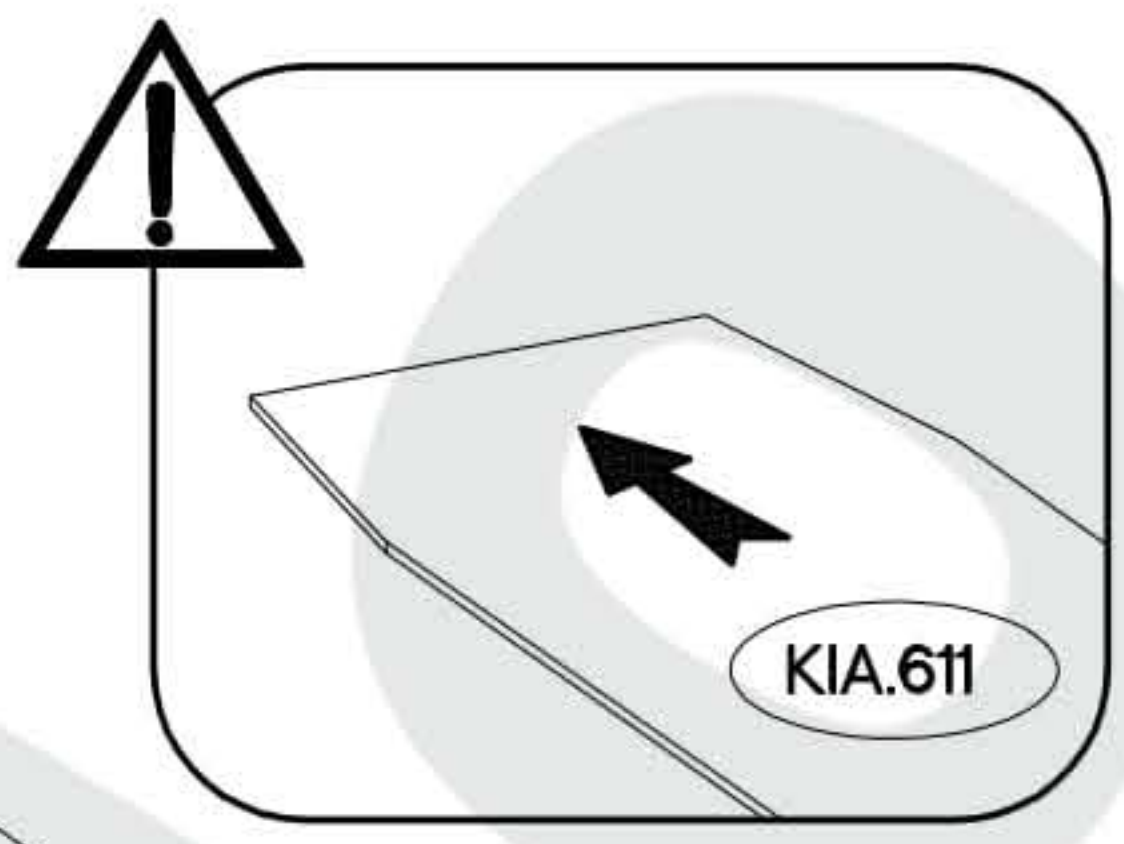






12

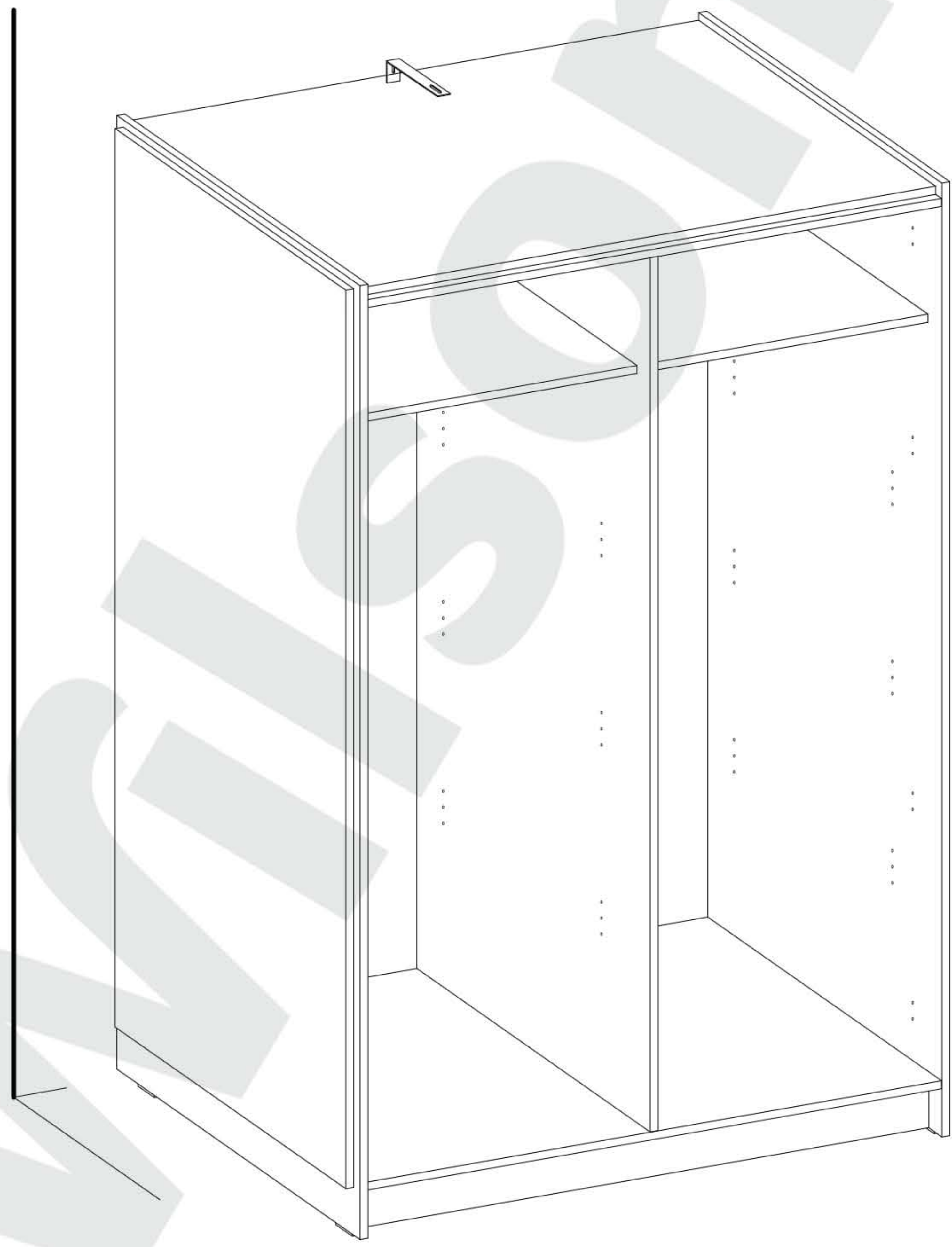
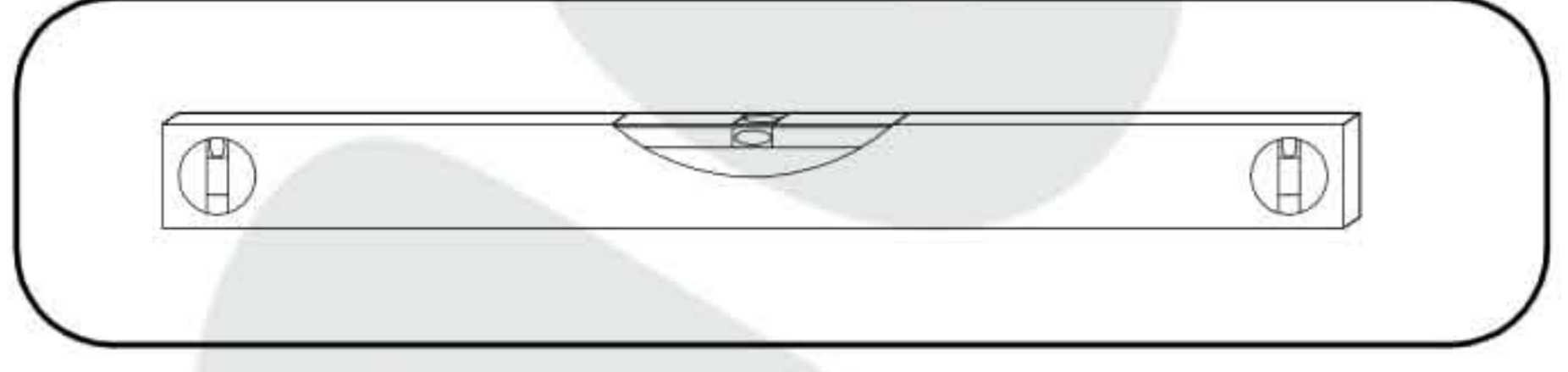
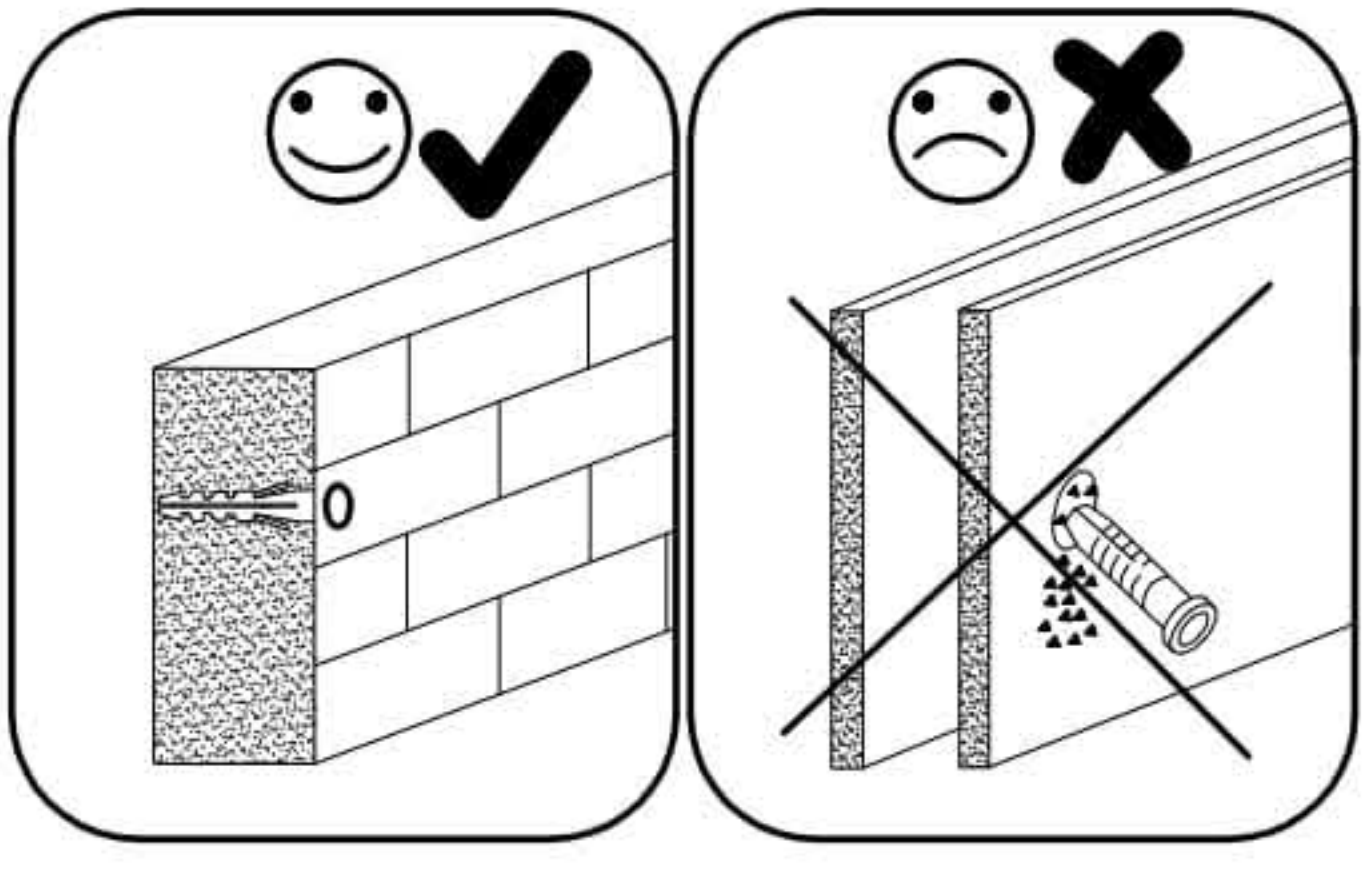
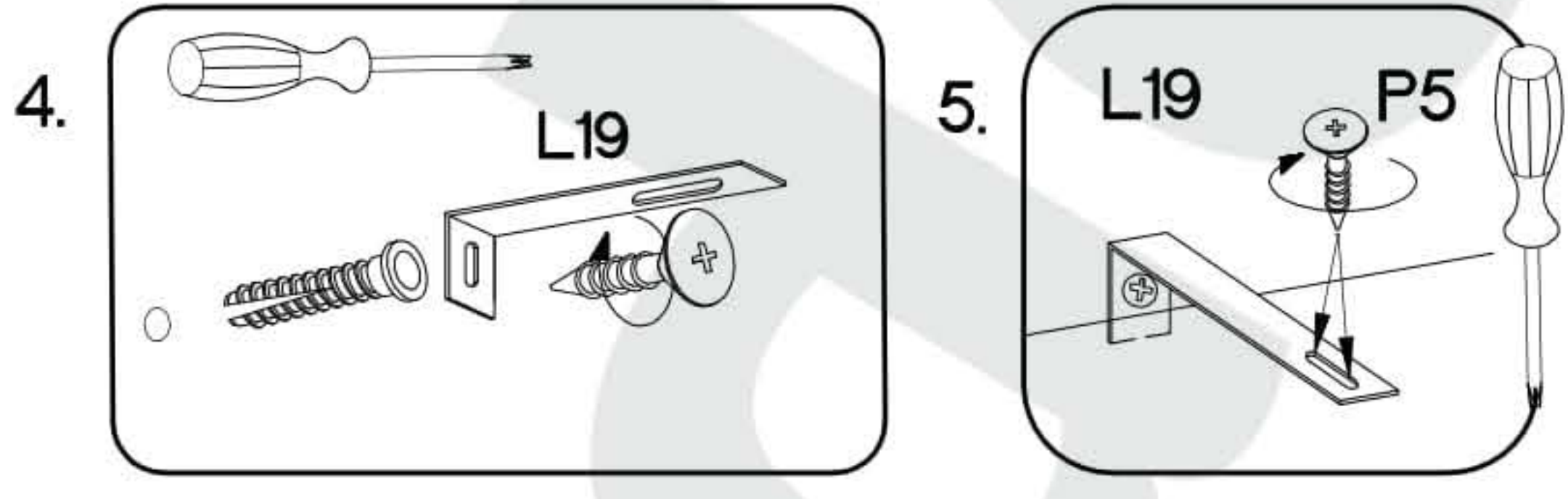
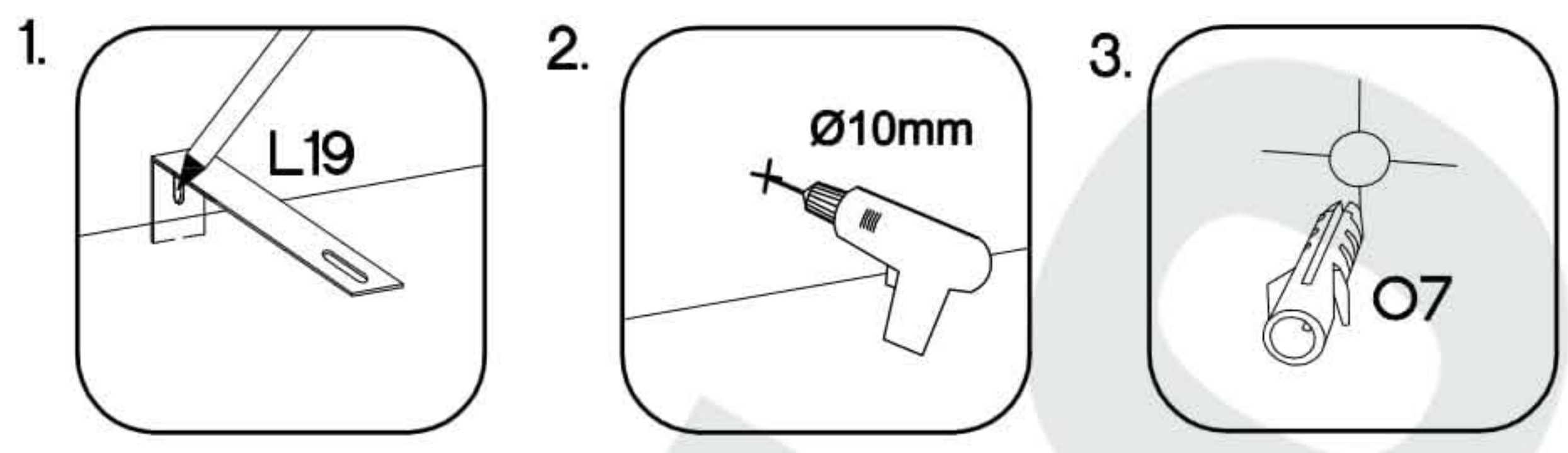
†3.5x25mm BLACK  P25 4	†4.0x16mm  P1 2
--	--









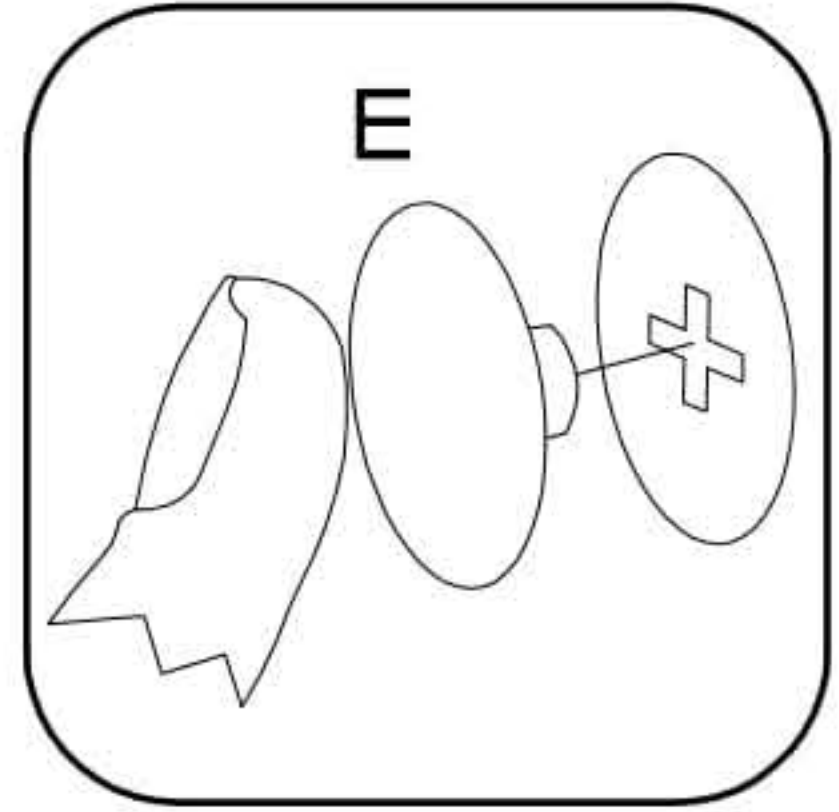
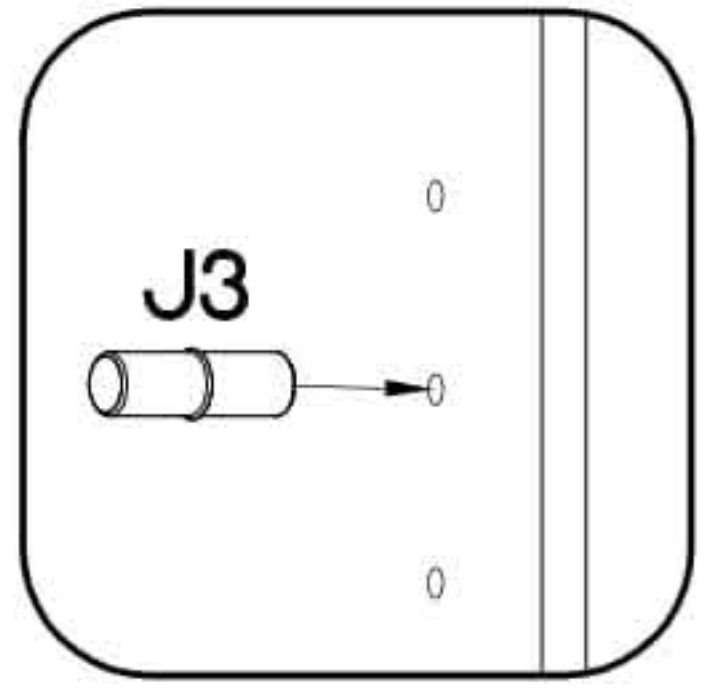
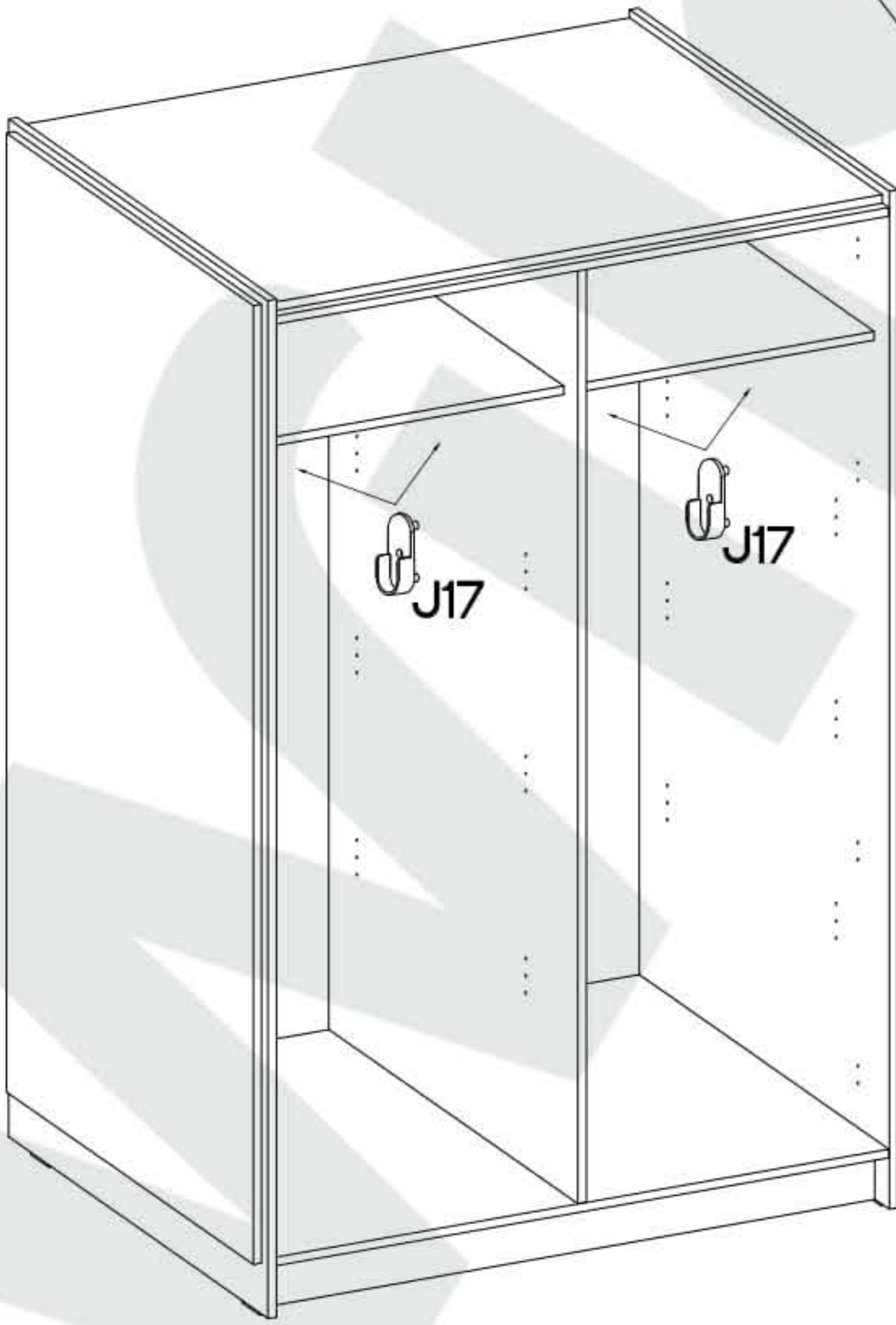
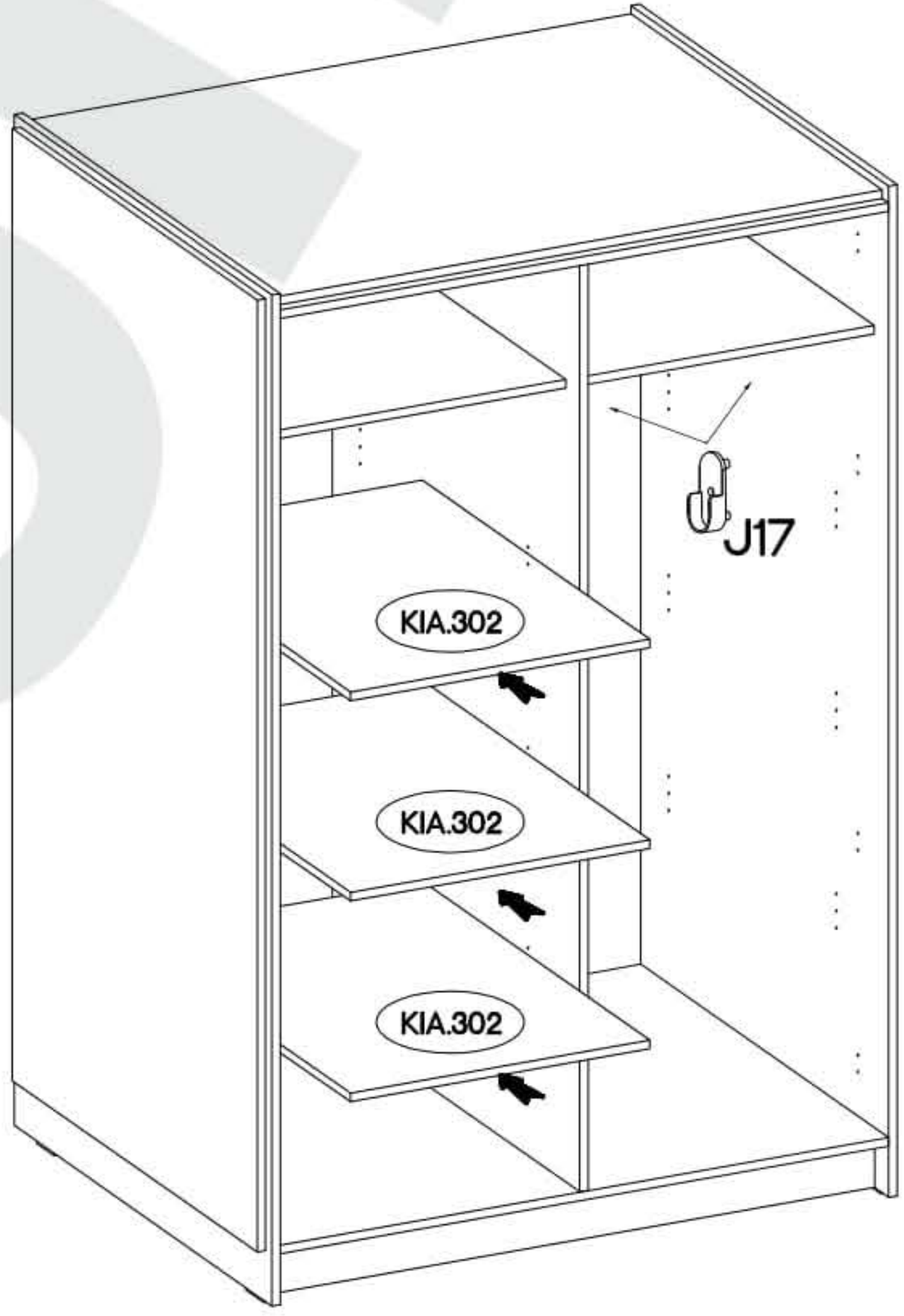
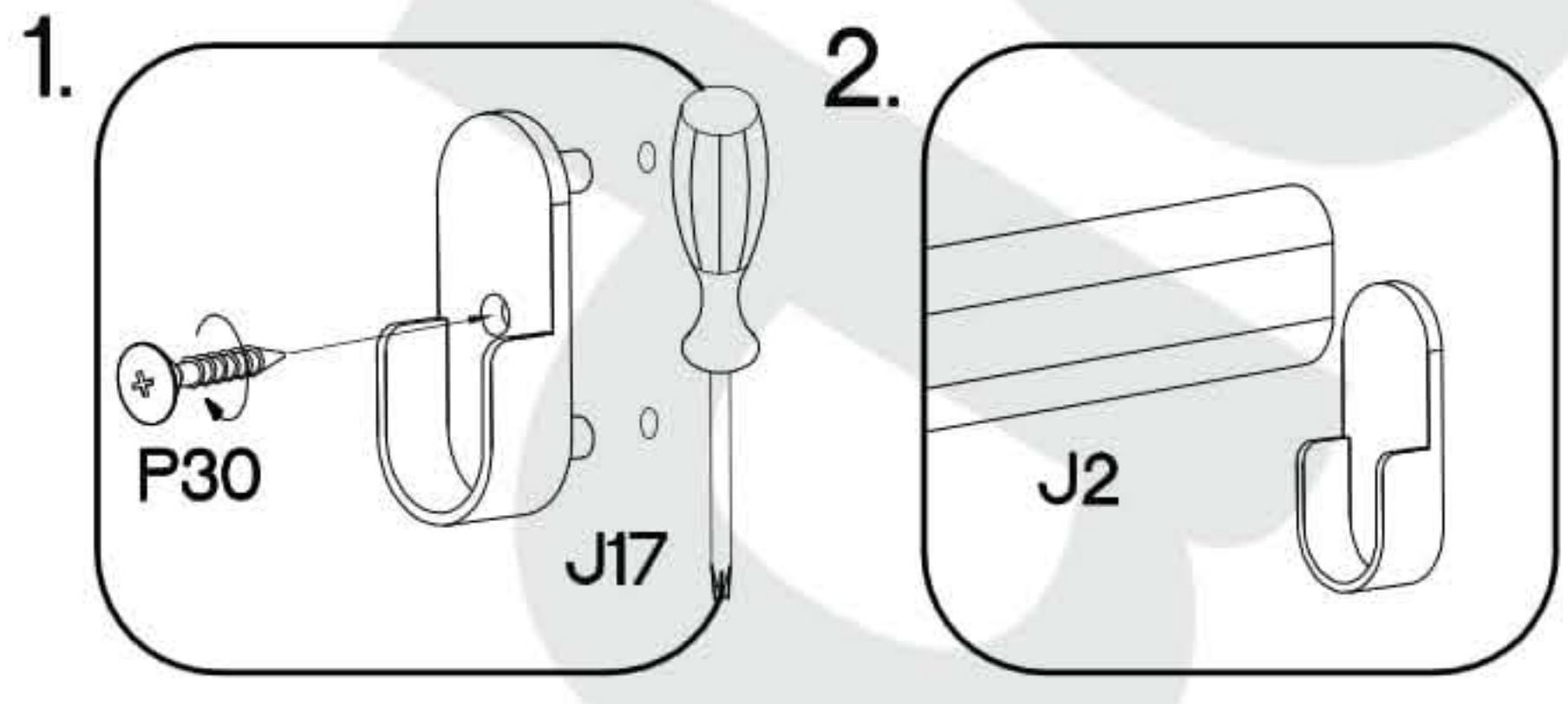
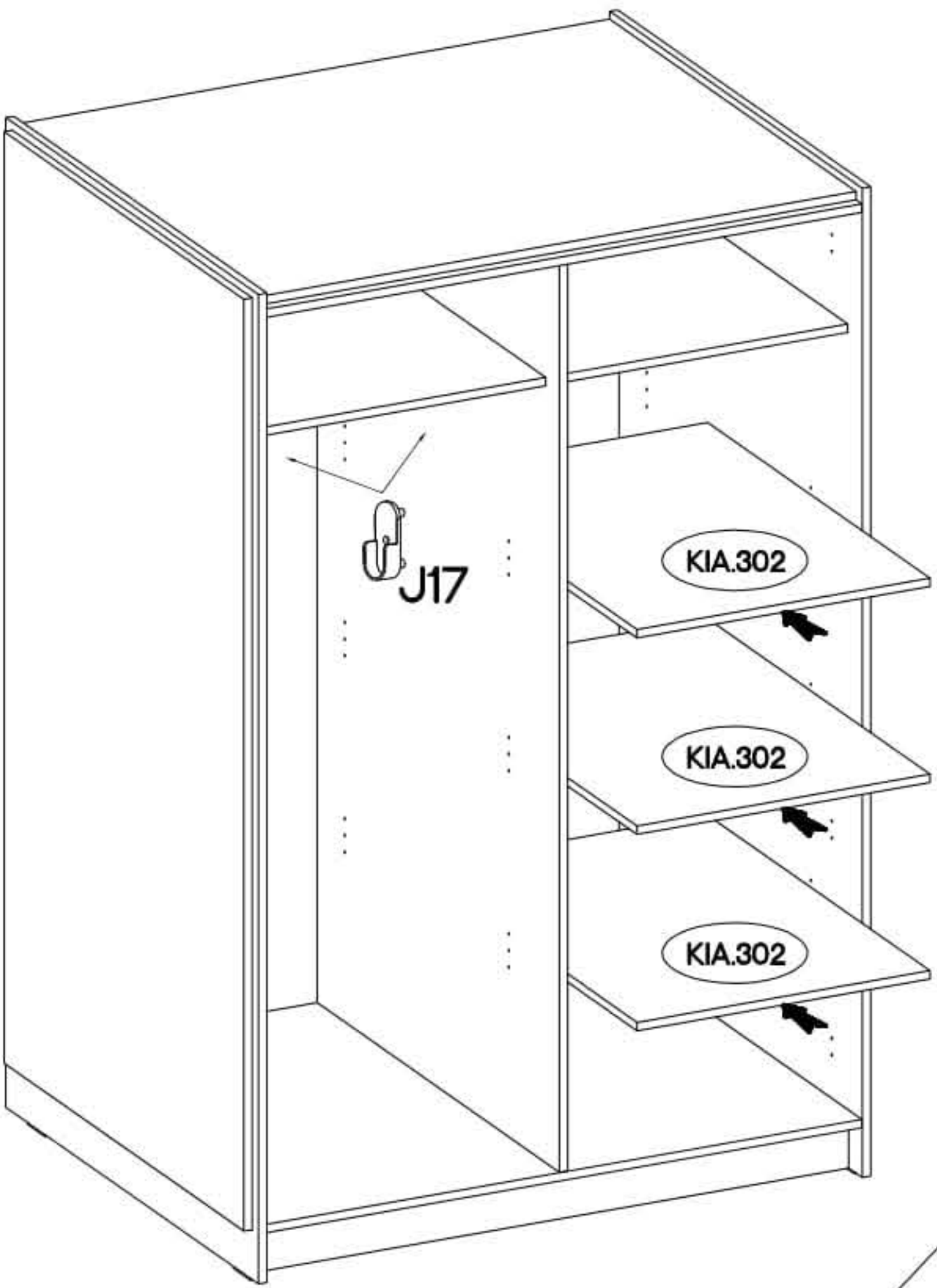
$\pm 3.0 \times 20 \text{mm}$  P7 28	 L2 12	 L 16
---	--	---





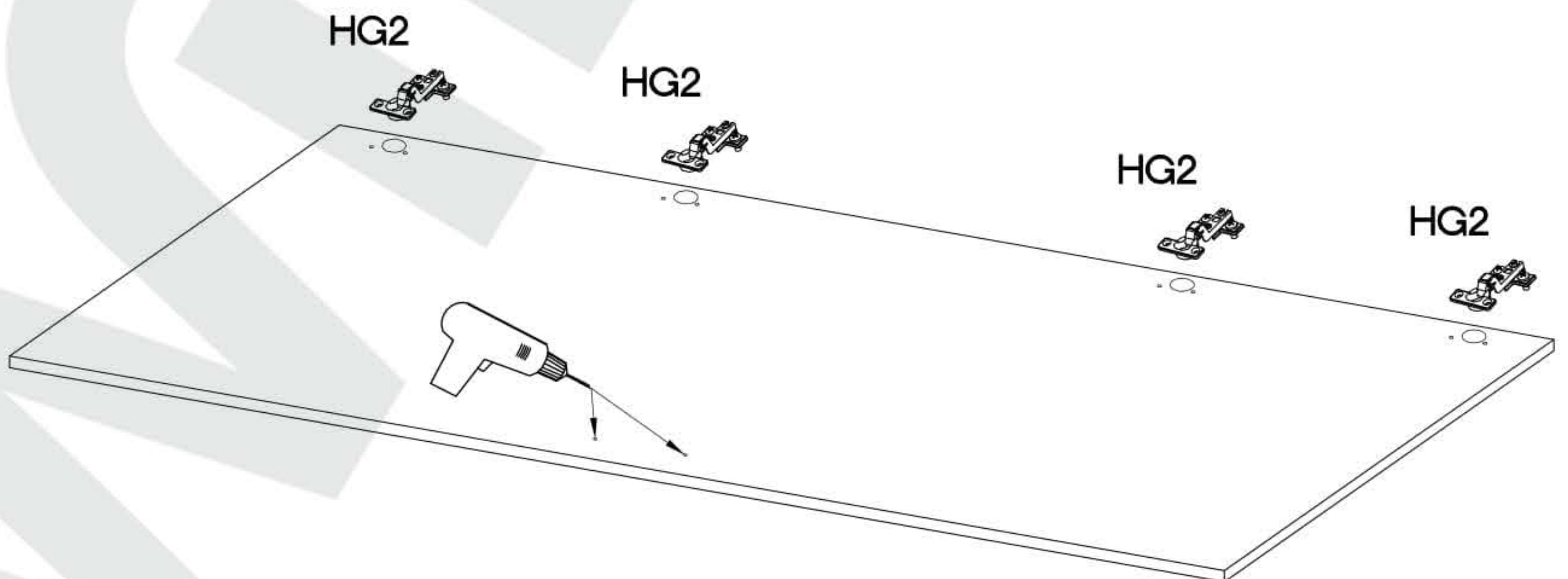
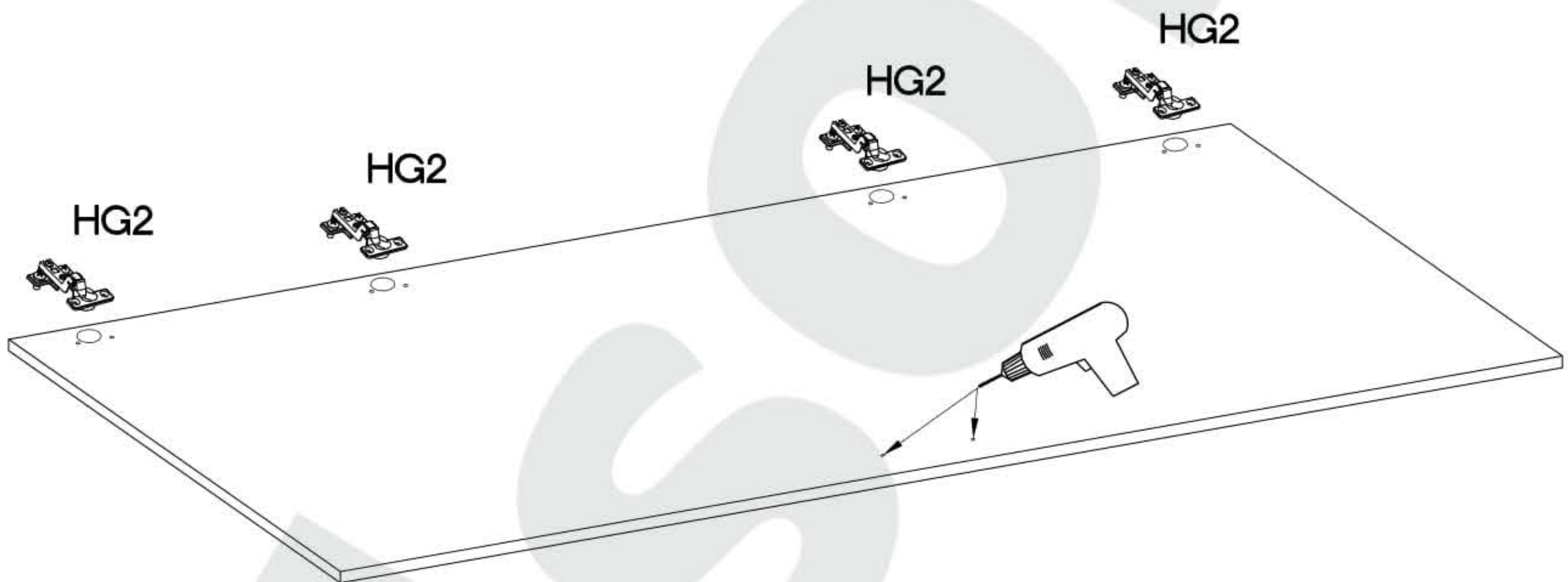
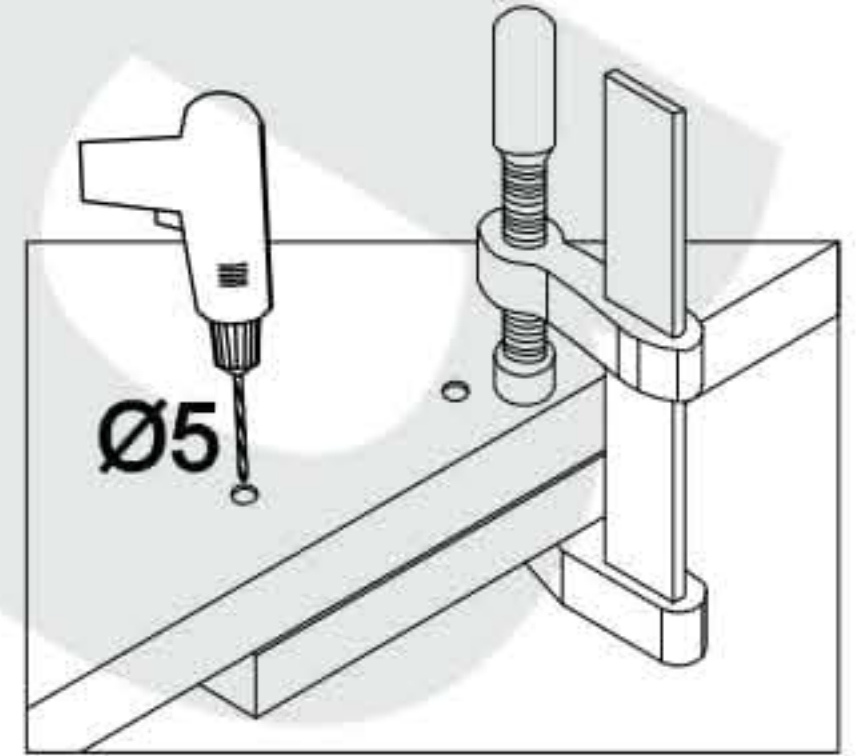
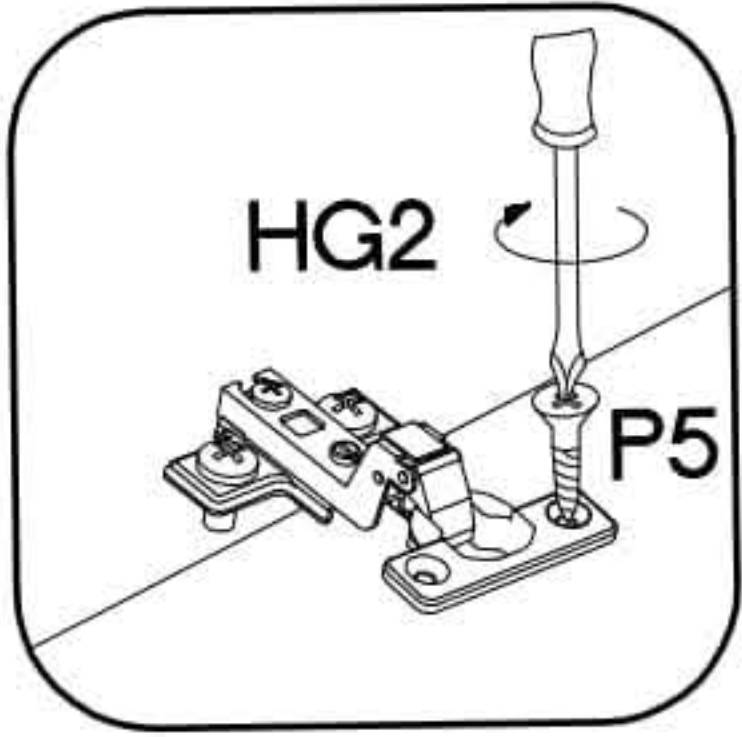
75x30x15mm	±3.5x13mm	±5.0x60mm	±10x50mm
			
L19	P5	P12	O7
1	2	1	1

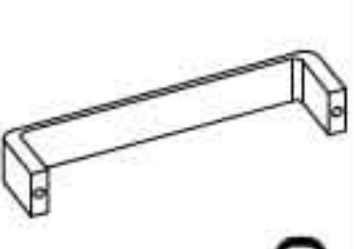



 <p>‡5/16mm J3</p>	 <p>L=563mm J2</p>	 <p>J17</p>	 <p>‡3.0x10mm P30</p>	 <p>cza. E</p>	 <p>art. E</p>
12	2	4	4	16	8



 HG2 8	 P5 16
--	--



L=128mm	M4x22mm
	
S	U
2	4

