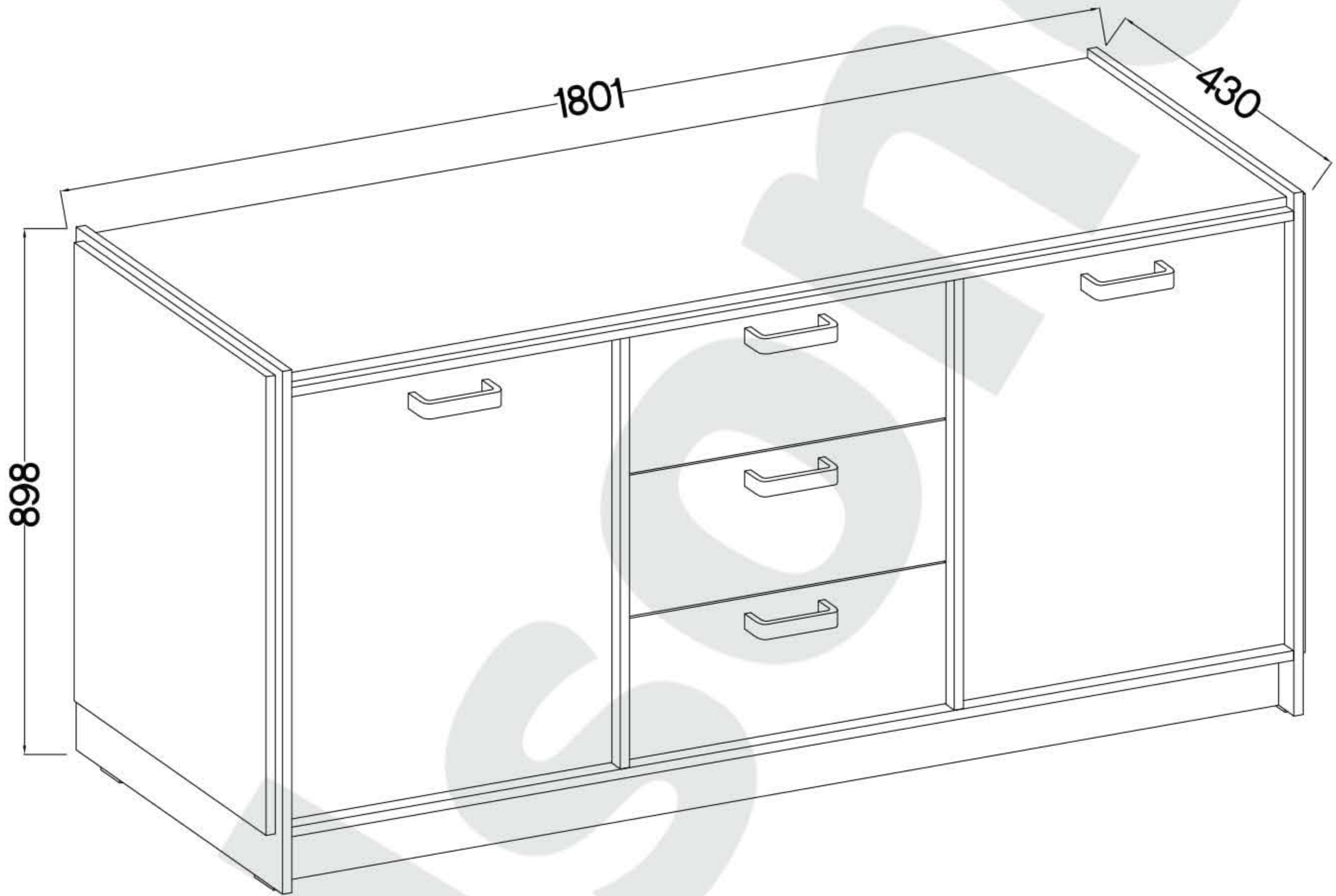


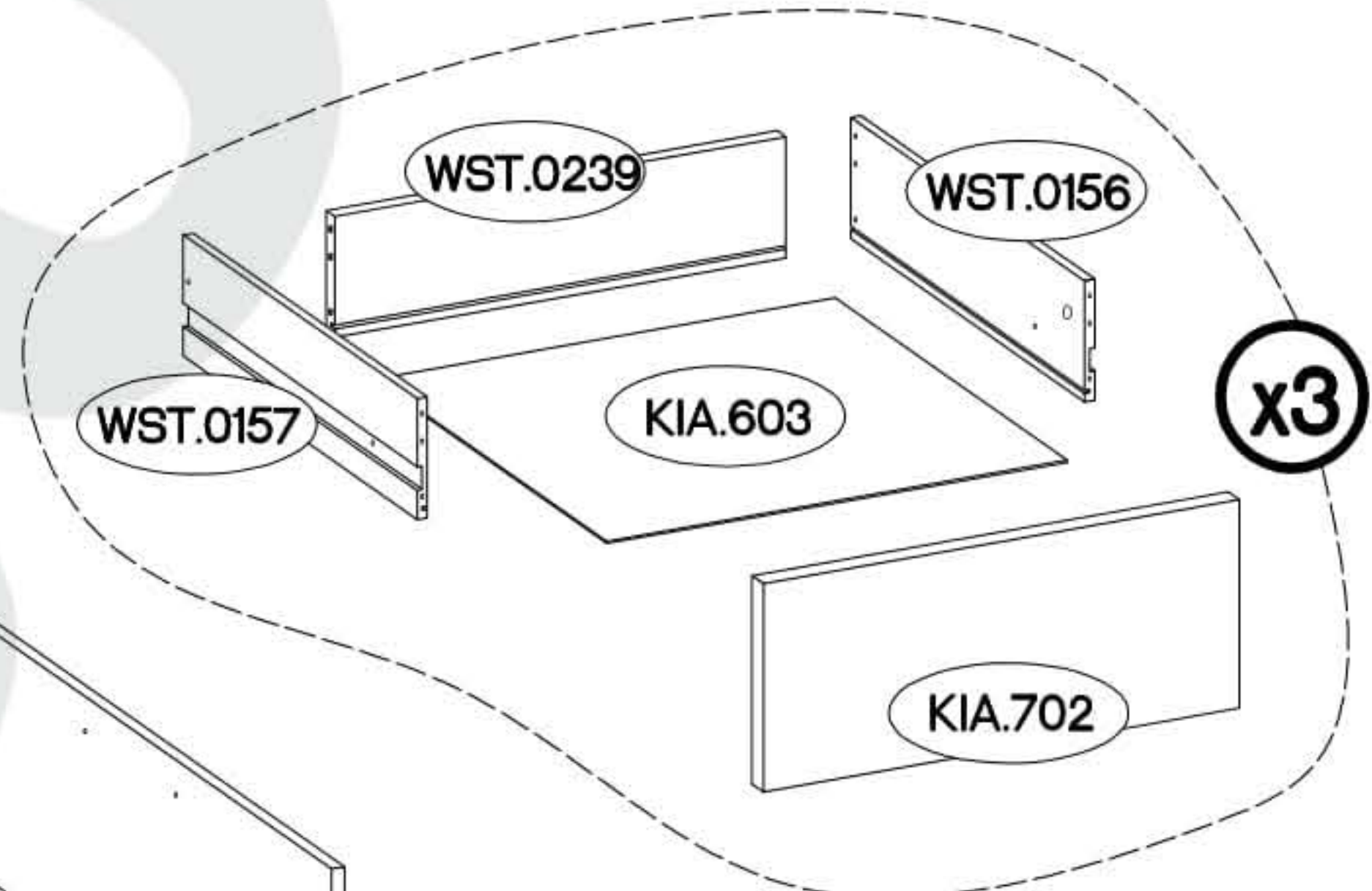
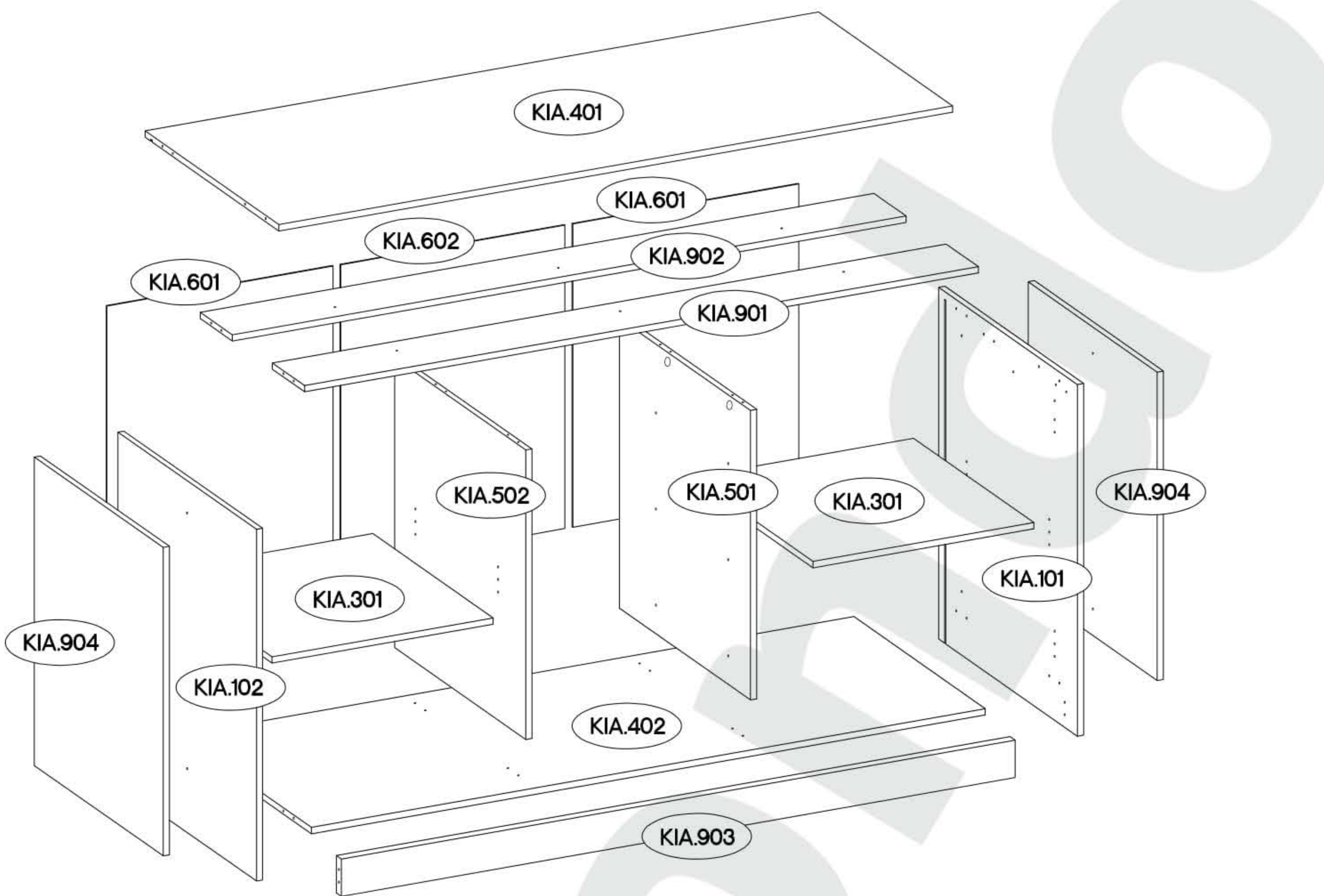
120 min

TYP 810

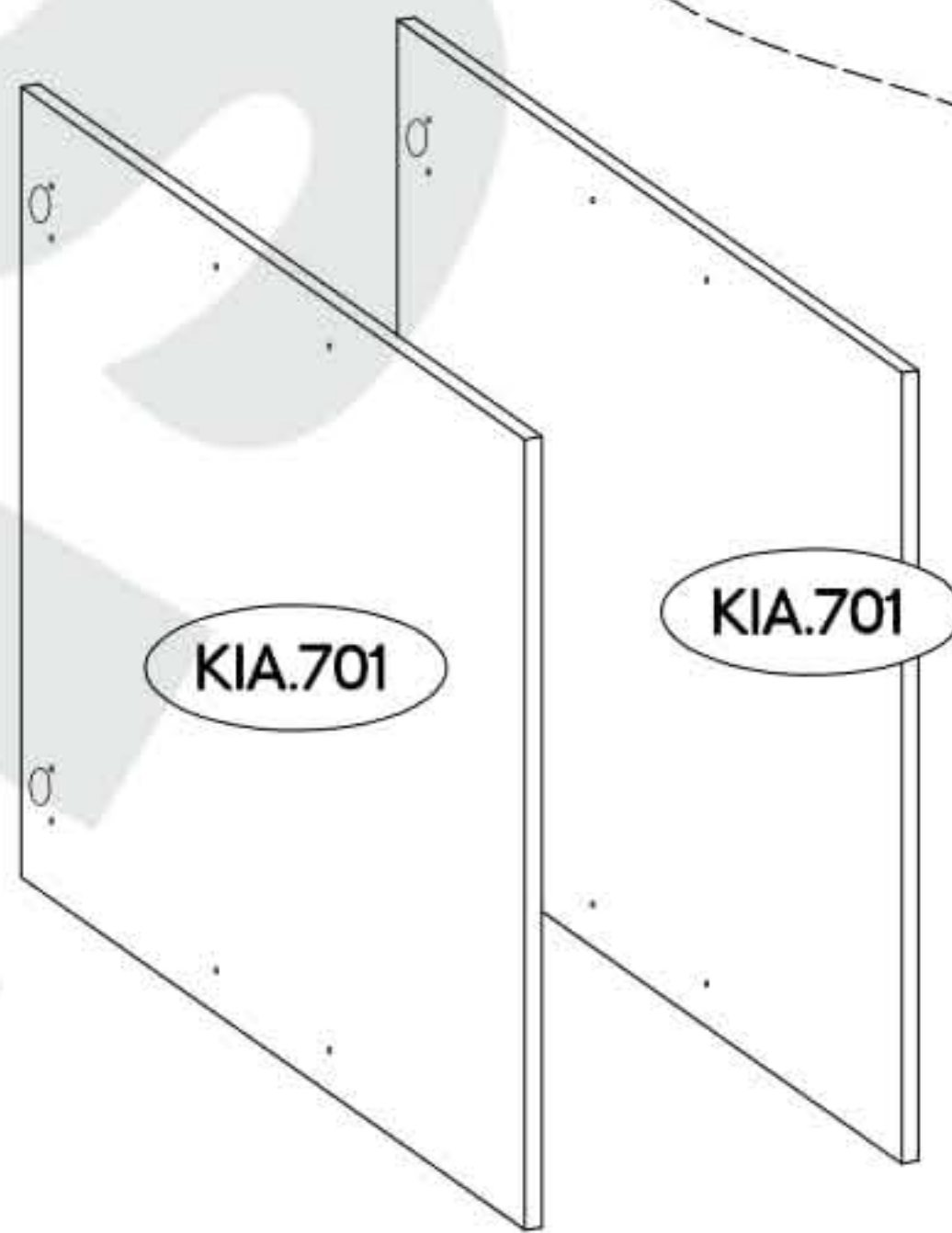


†8x30mm A 48	†8x20mm A4 4	6,4 x 50mm B 4	†6x42mm B2 6	†15/12mm C 16	†12/10mm C5 6	L=20mm D2 22					
cza. E 6	art. E 6	6.5x48x16 F2 4	†15x5mm F4 2	†35/16mm HG2 4	27/310mm I4 3	†5/16mm J3 8	L 24	L2 10	L9 2	M2 12	
O 1	†10x50mm O7 2	0,05 O11 1	†4.0x16mm P1 2	†3.5x13mm P5 10	†3.0x20mm P7 22	†3.5x25mm BLACK P25 16	L=128mm S 5	T3 T3 1	M4x22mm U 10	M4x9mm U1 6	

ISM-KIA-001

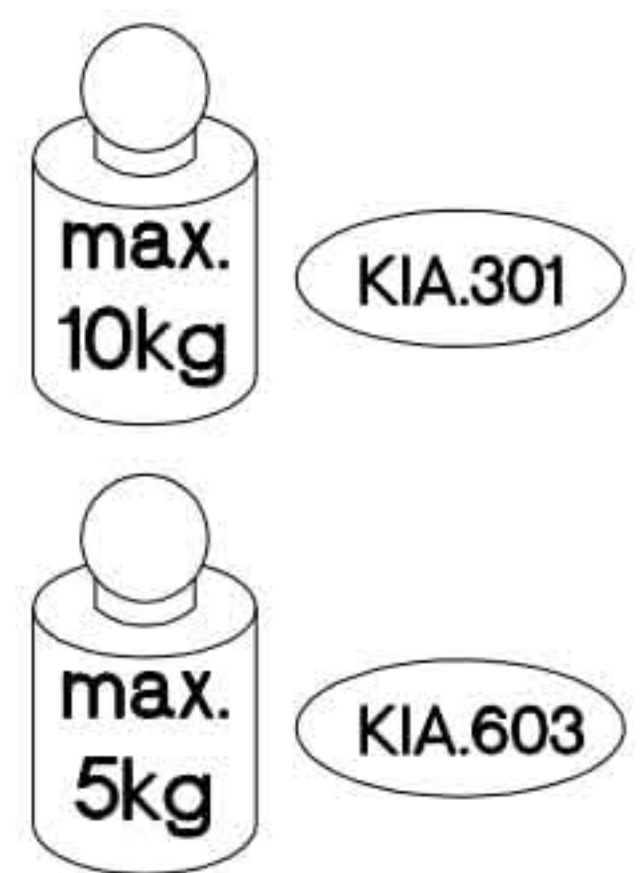


Colli	Ersatzteil Nummer	Dimension
1/3	KIA.101	893x430x16
	KIA.102	893x430x16
	KIA.301 x2	570x373x16
	KIA.501	735x406x16
	KIA.502	735x406x16
	KIA.603 x3	540x327x2,5
	KIA.904 x2	783x400x16
	WST.0156 x3	330x140x12


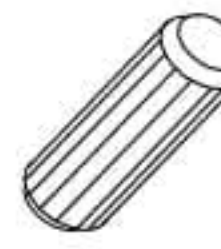



Colli	Ersatzteil Nummer	Dimension
2/3	KIA.601 x2	770x583x2,5
	KIA.602	770x578x2,5
	KIA.701 x2	567x729x16
	KIA.702 x3	559x241x16
	WST.0157 x3	330x140x12
	WST.0239 x3	530x140x12

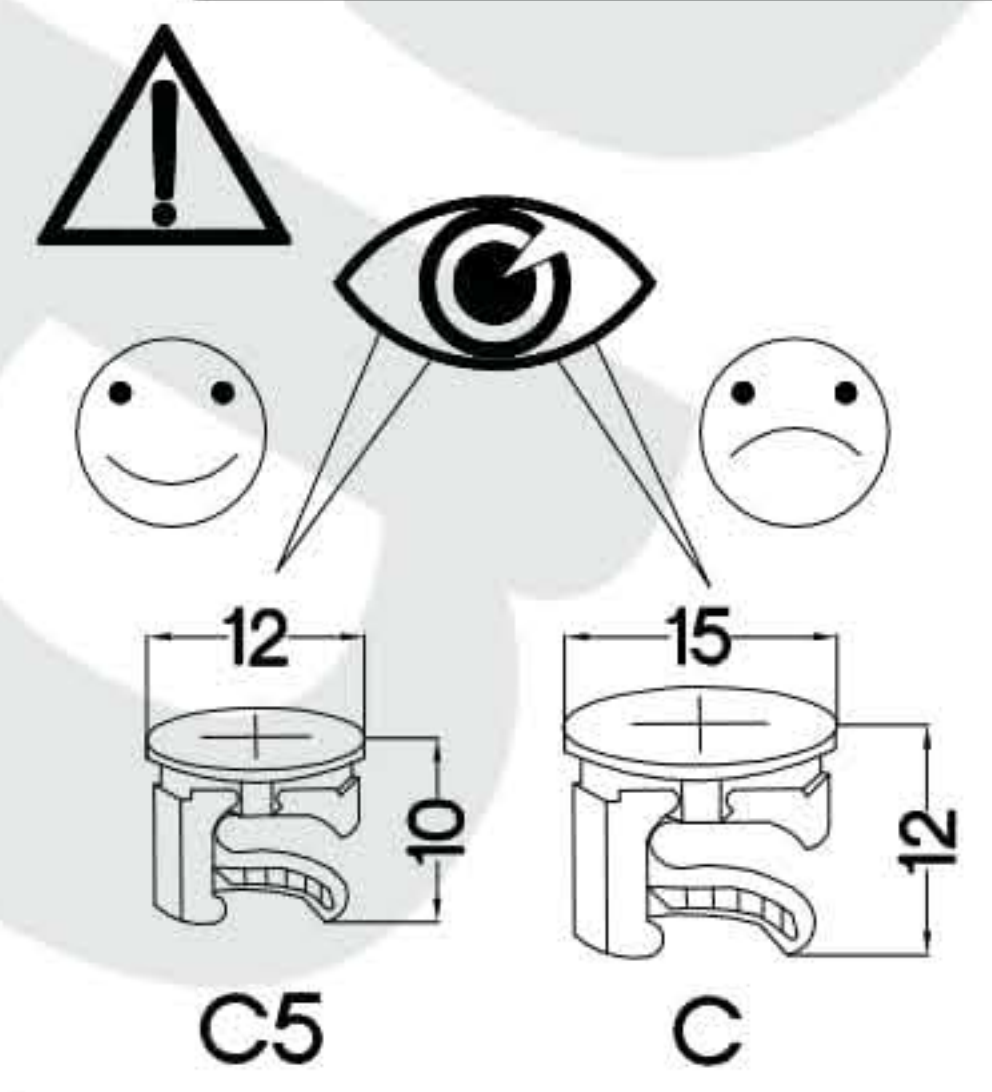
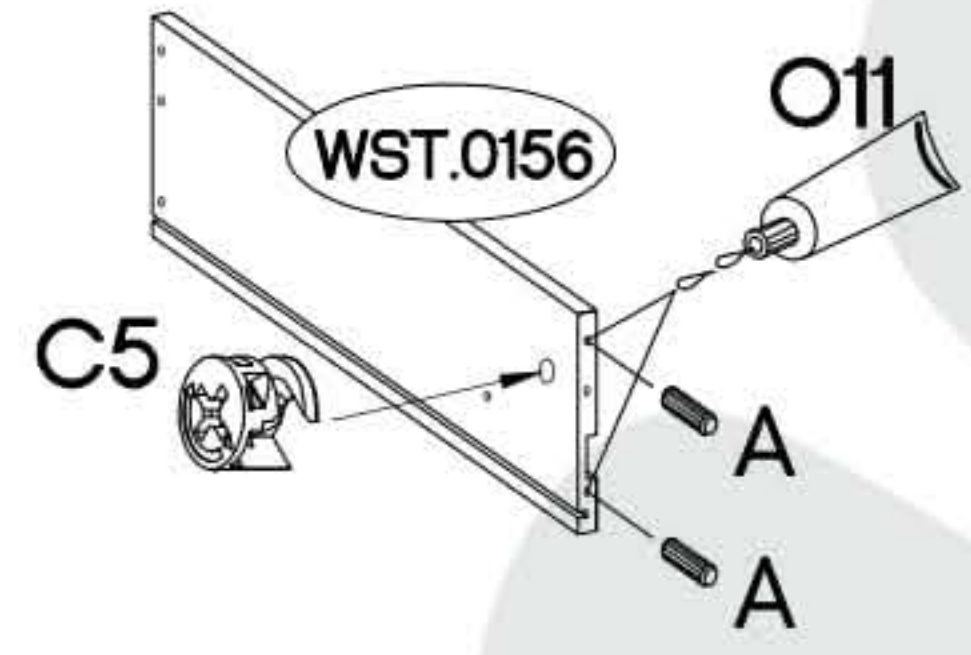
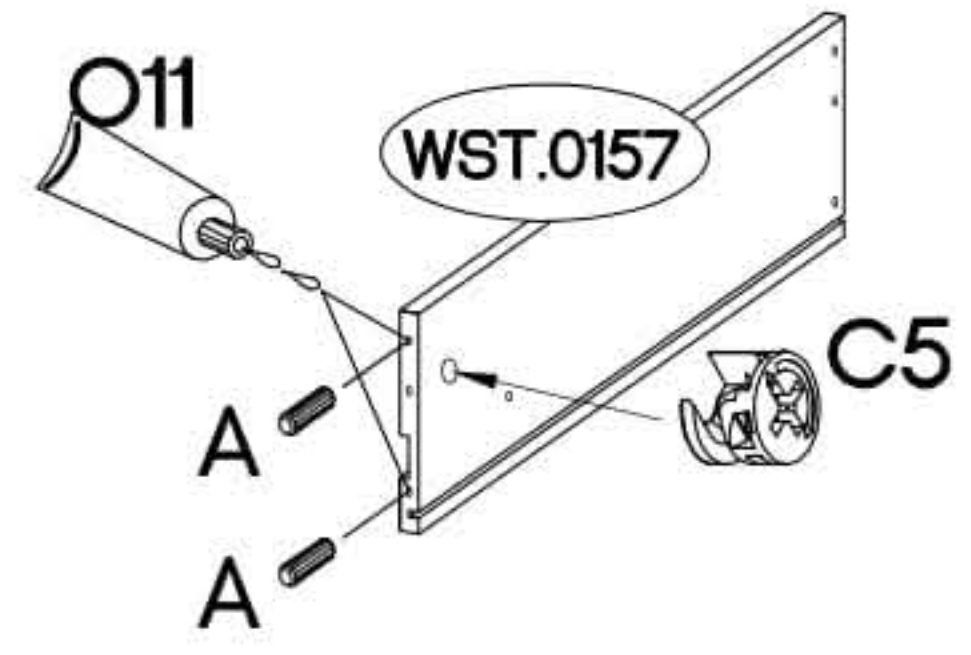
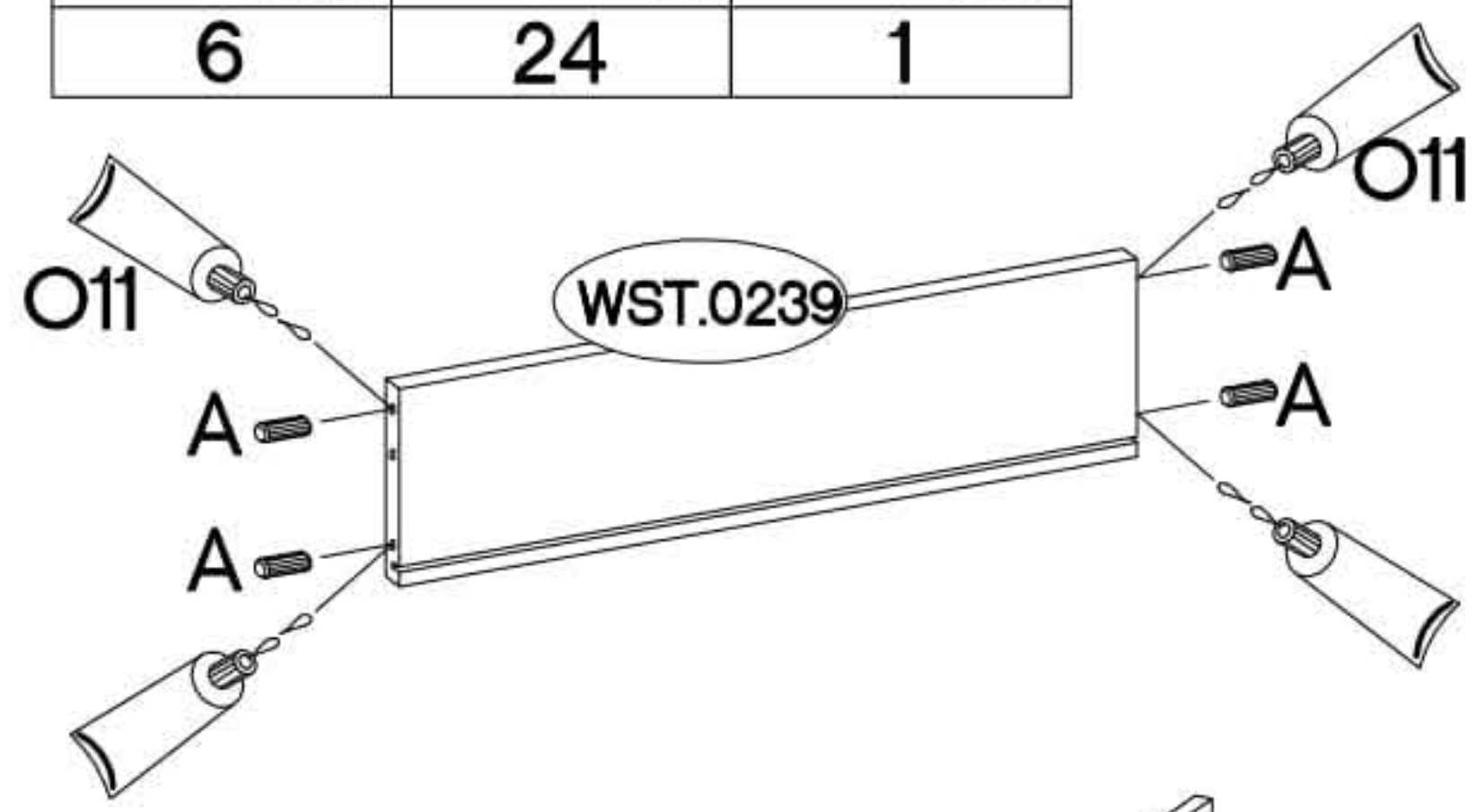
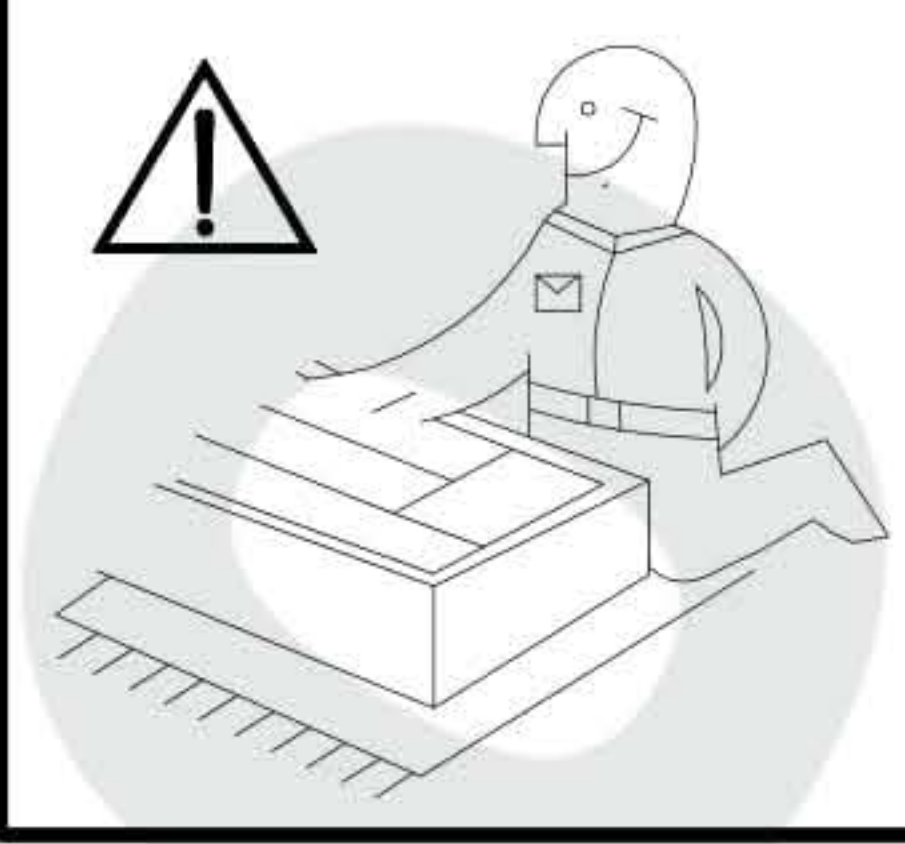
Colli	Ersatzteil Nummer	Dimension
3/3	KIA.401	1737x415x16
	KIA.402	1737x407x16
	KIA.901	1737x100x16
	KIA.902	1737x100x16
	KIA.903	1737x95x16



1



†12/10mm  C5 6	†8x30mm  A 24	0,05  Lein O11 1
---	--	---

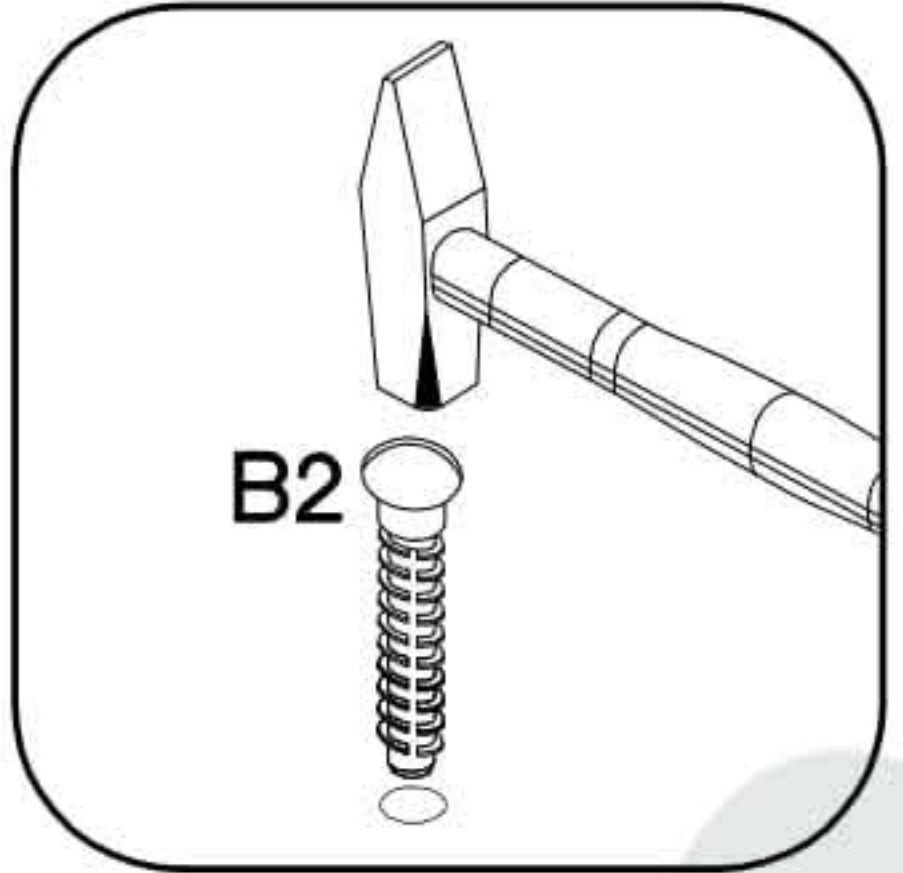
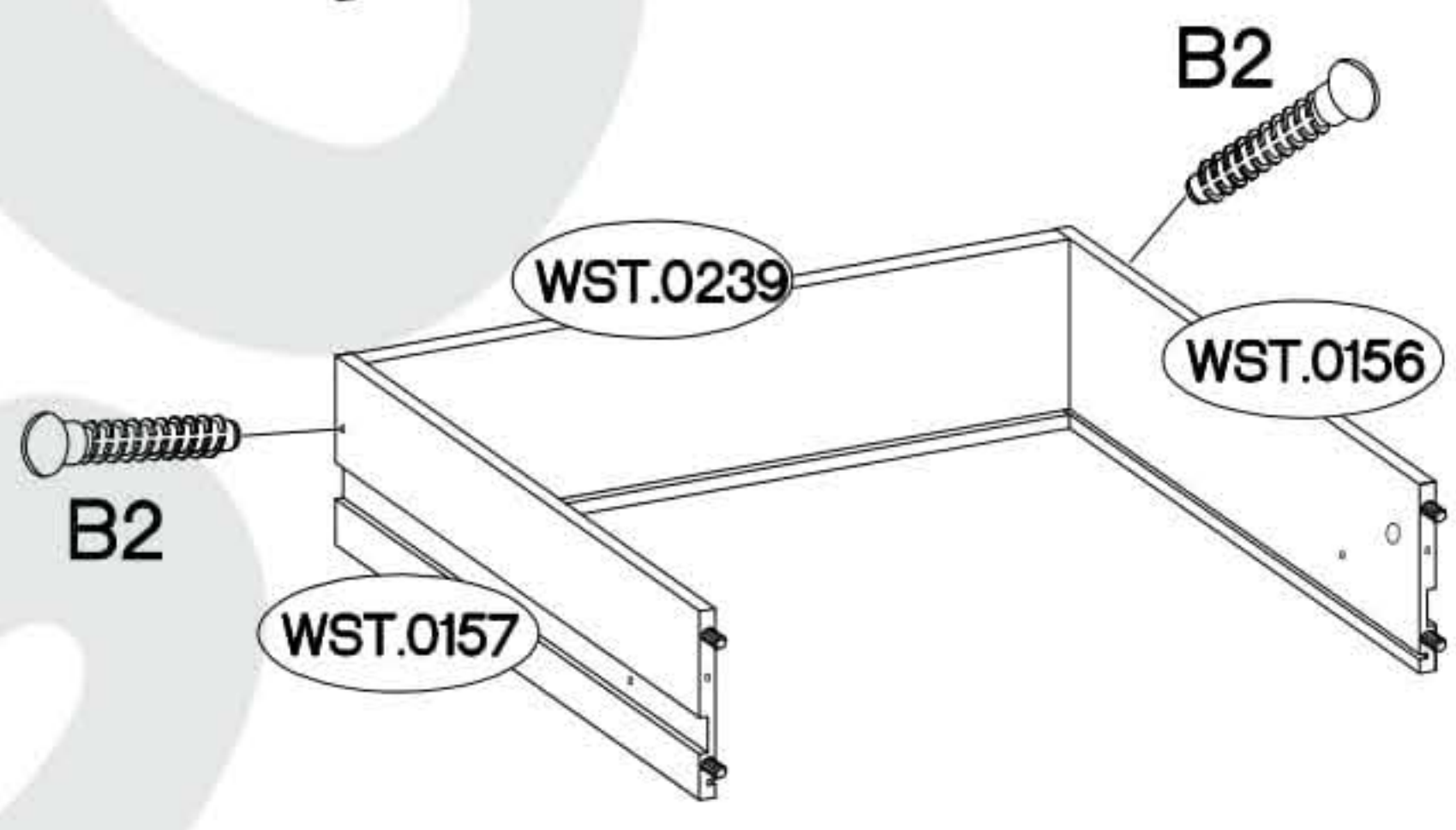
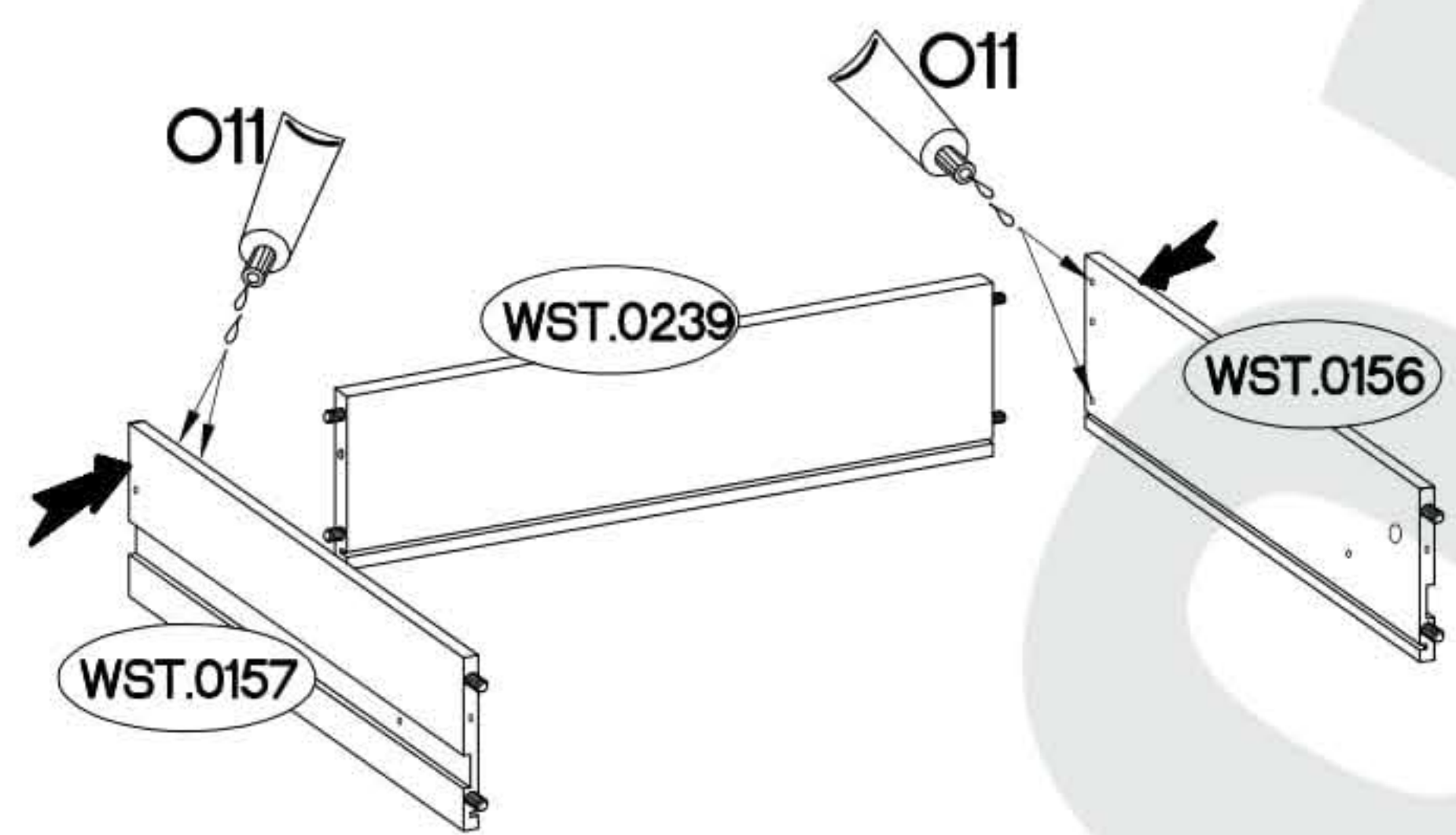
x3




2

x3

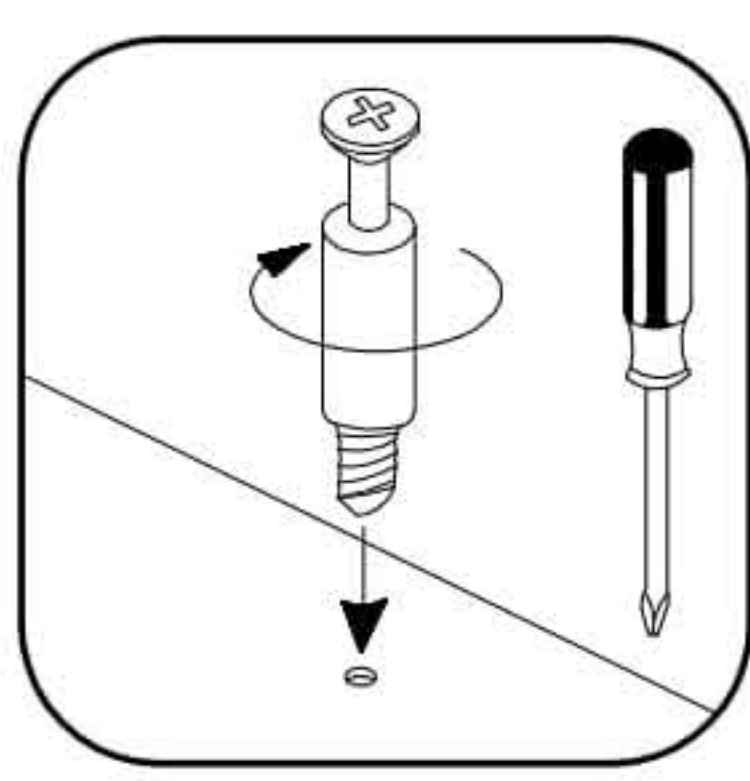
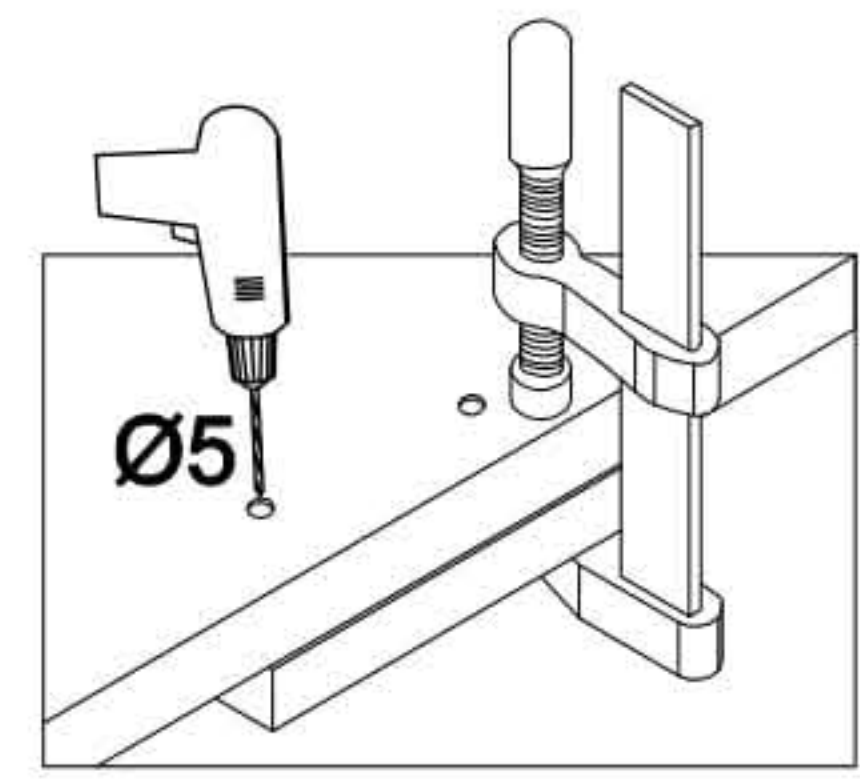
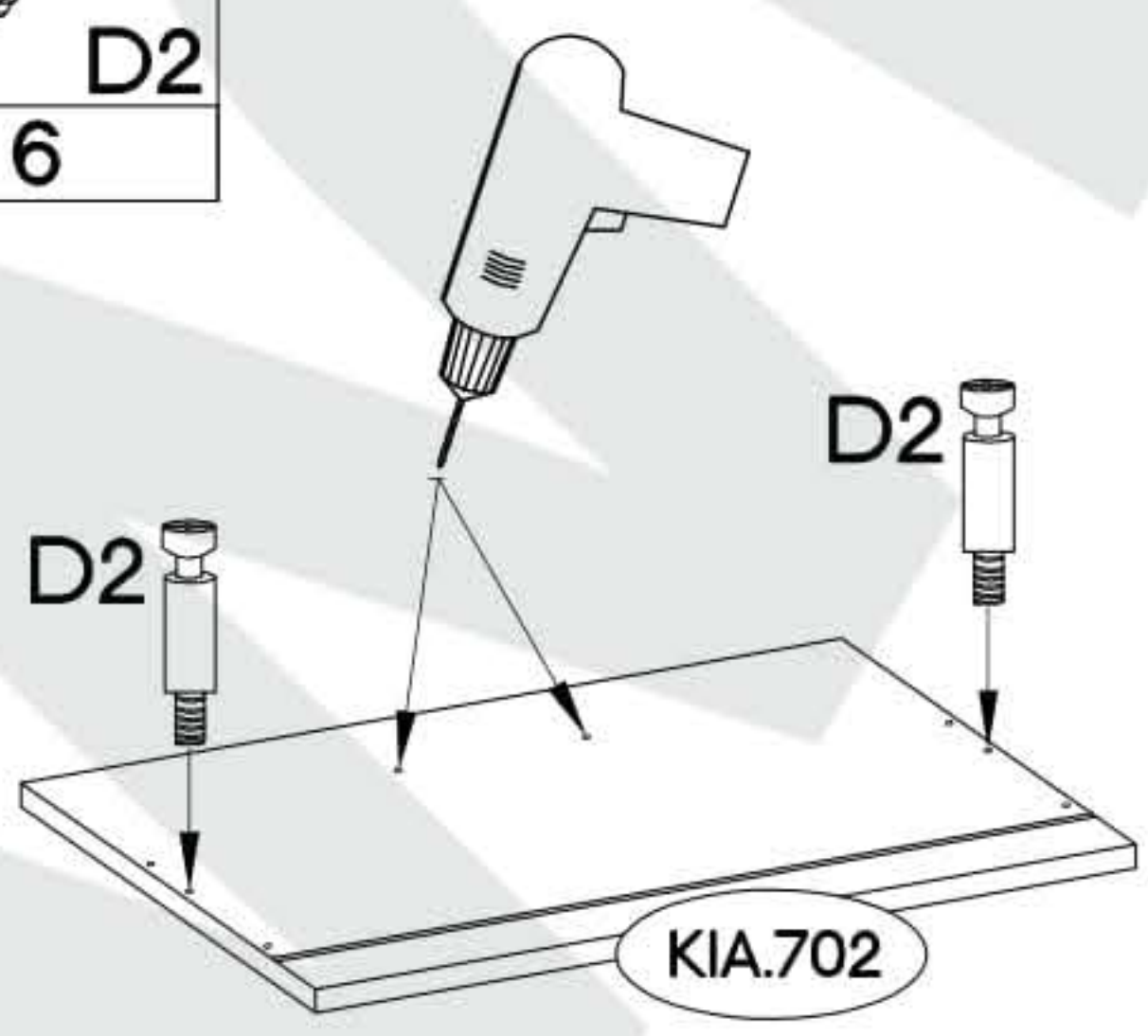
†6x42mm  B2 6	0,05  Lein O11 1
---	---



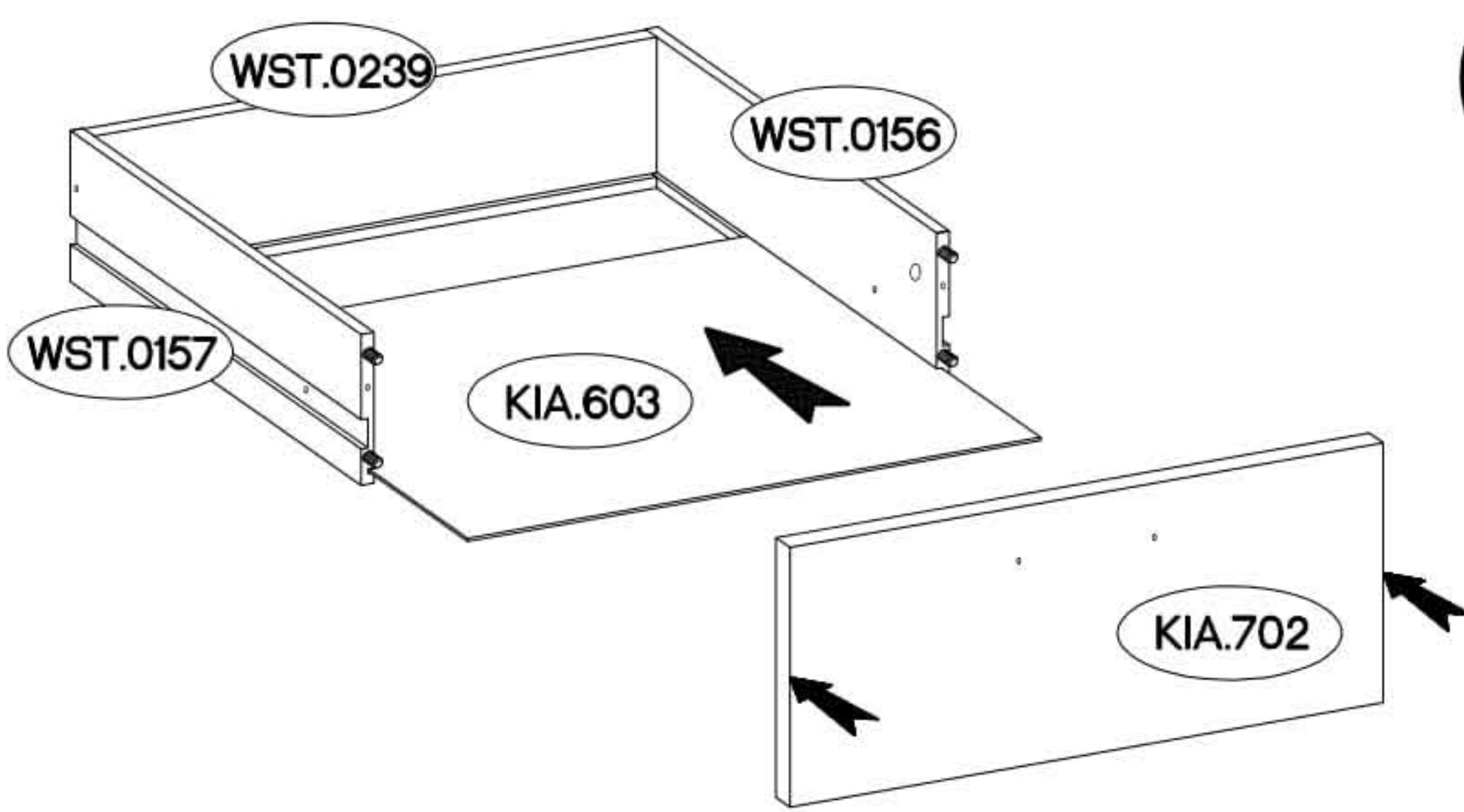
3

L=20mm  D2 6
--

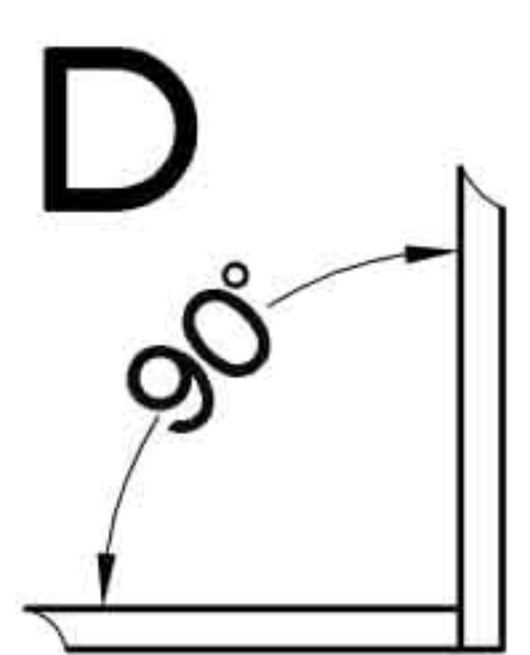
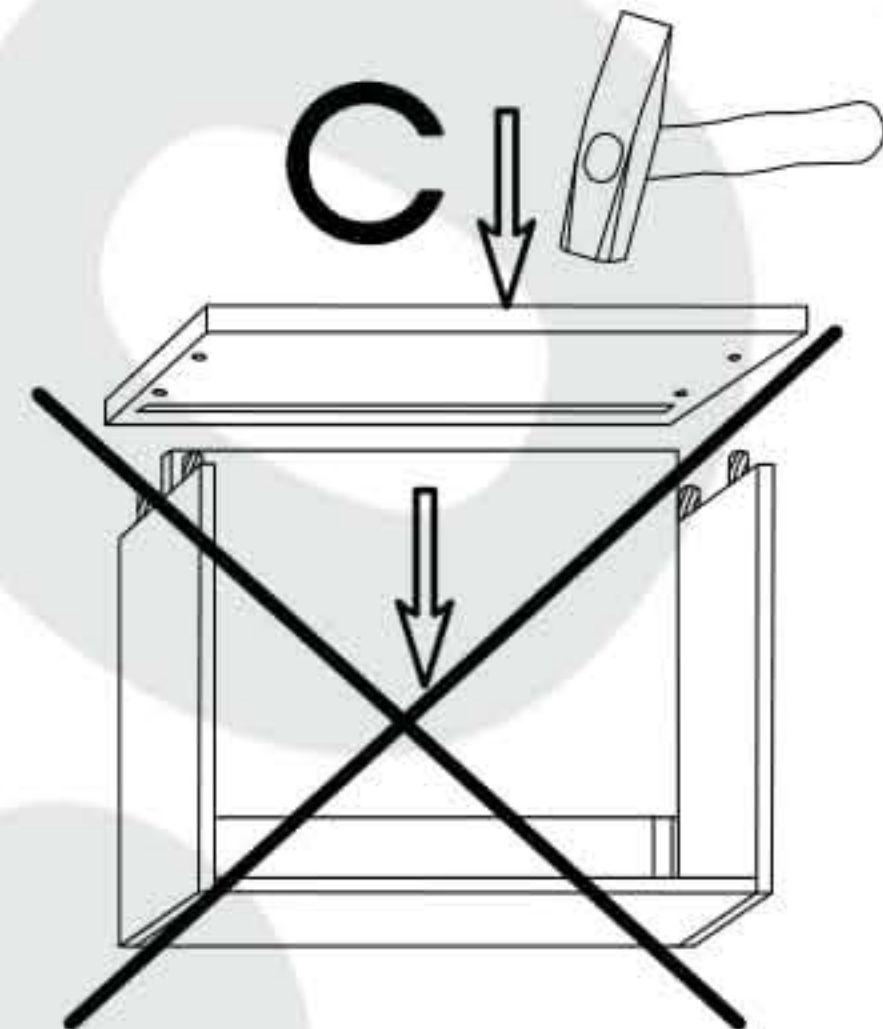
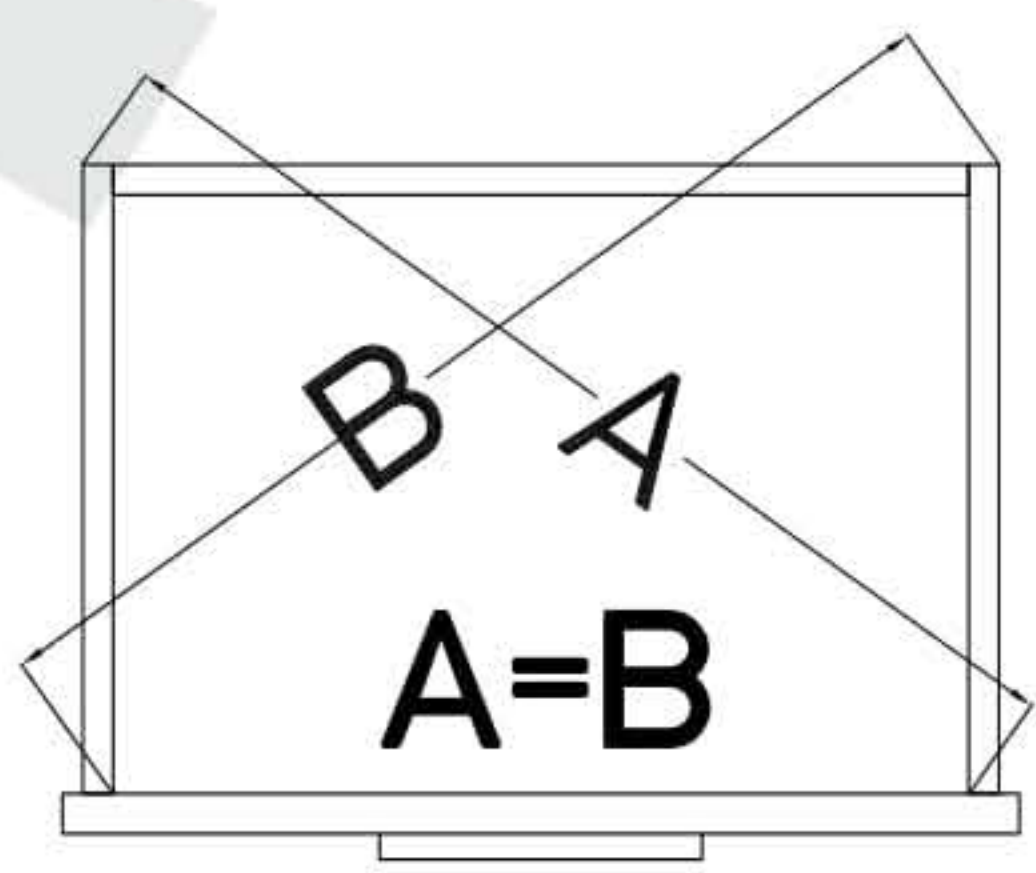
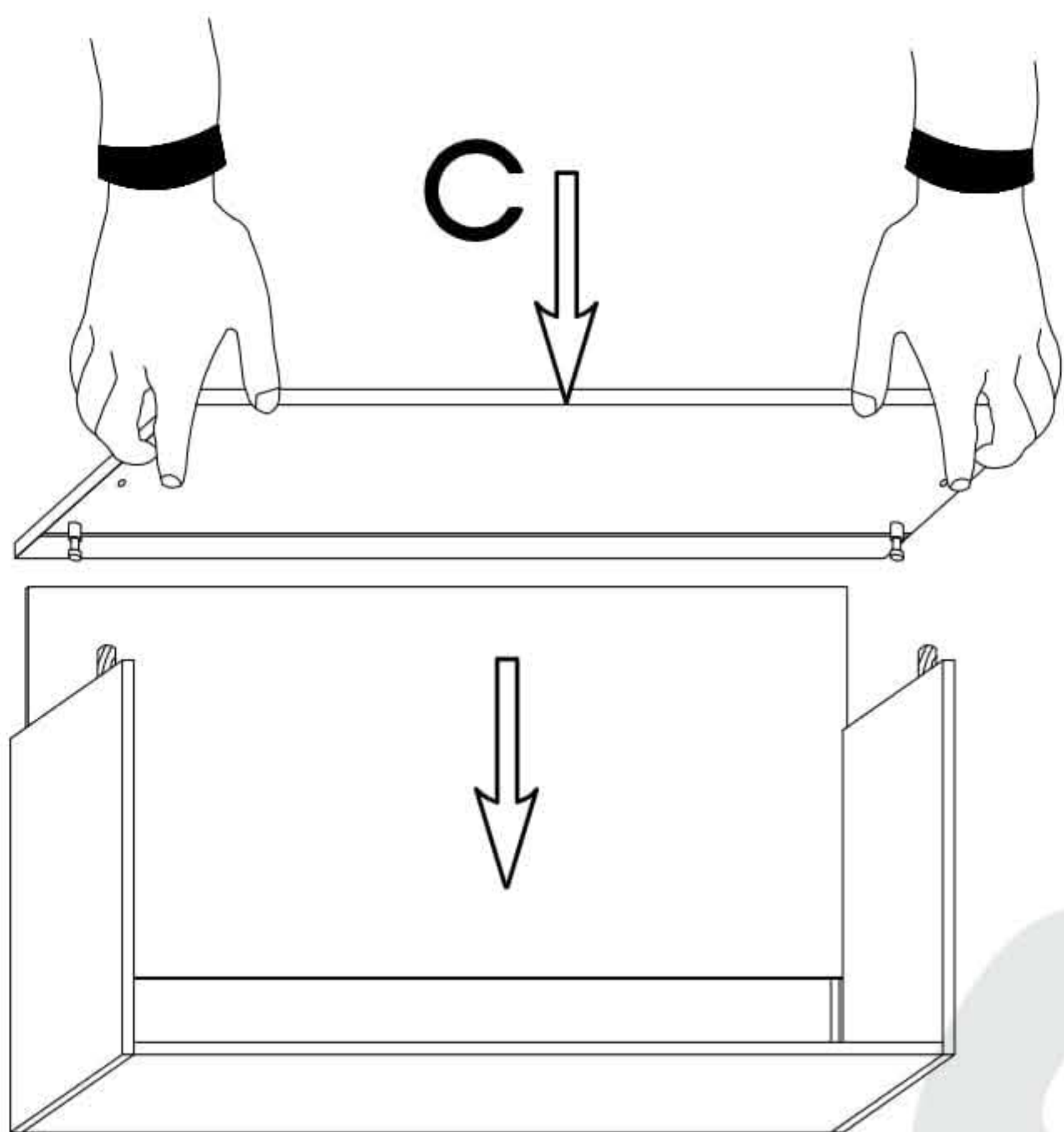
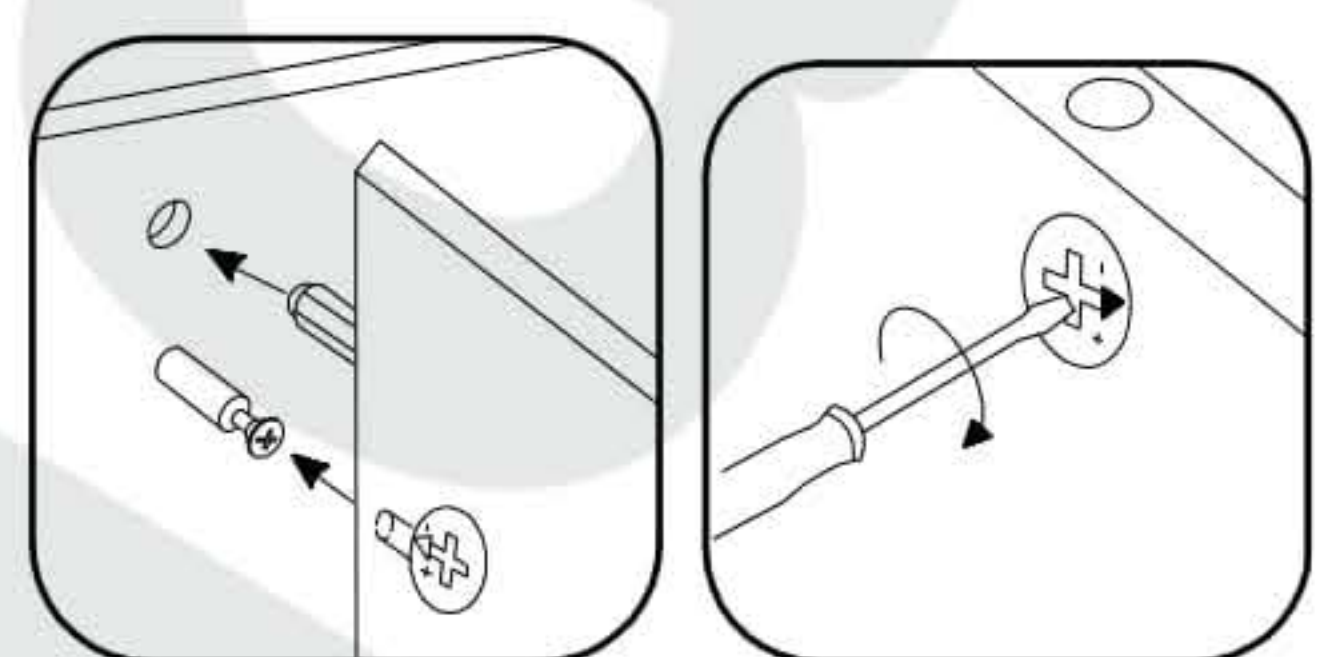
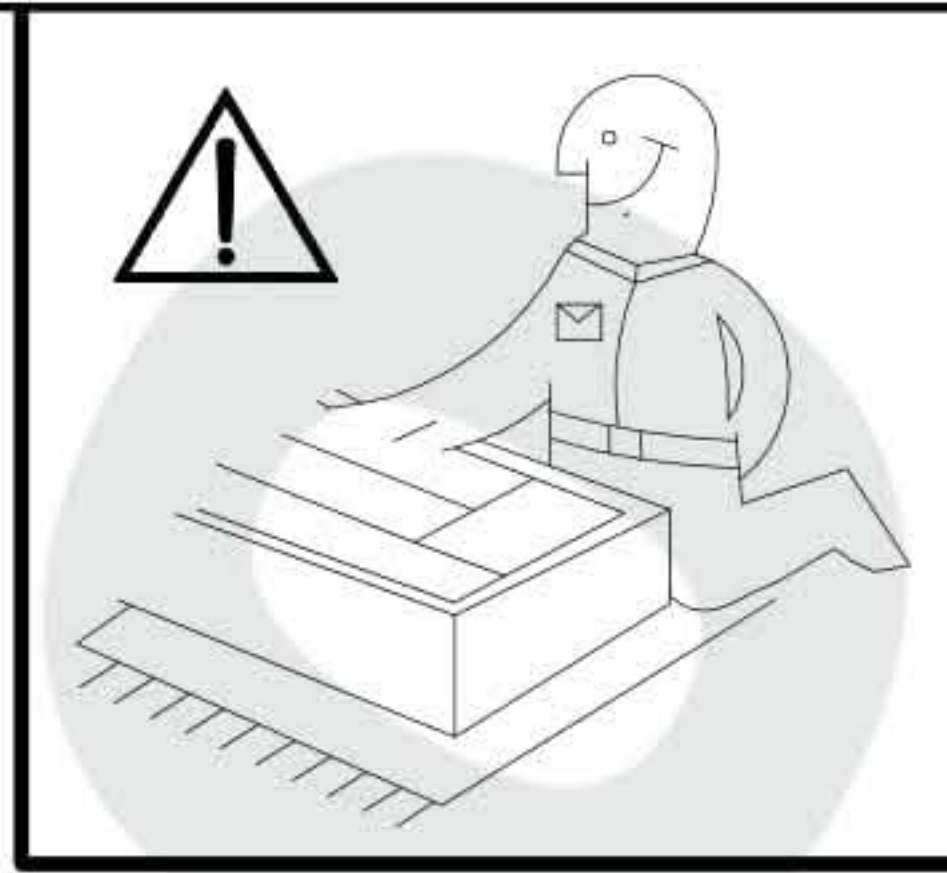
x3



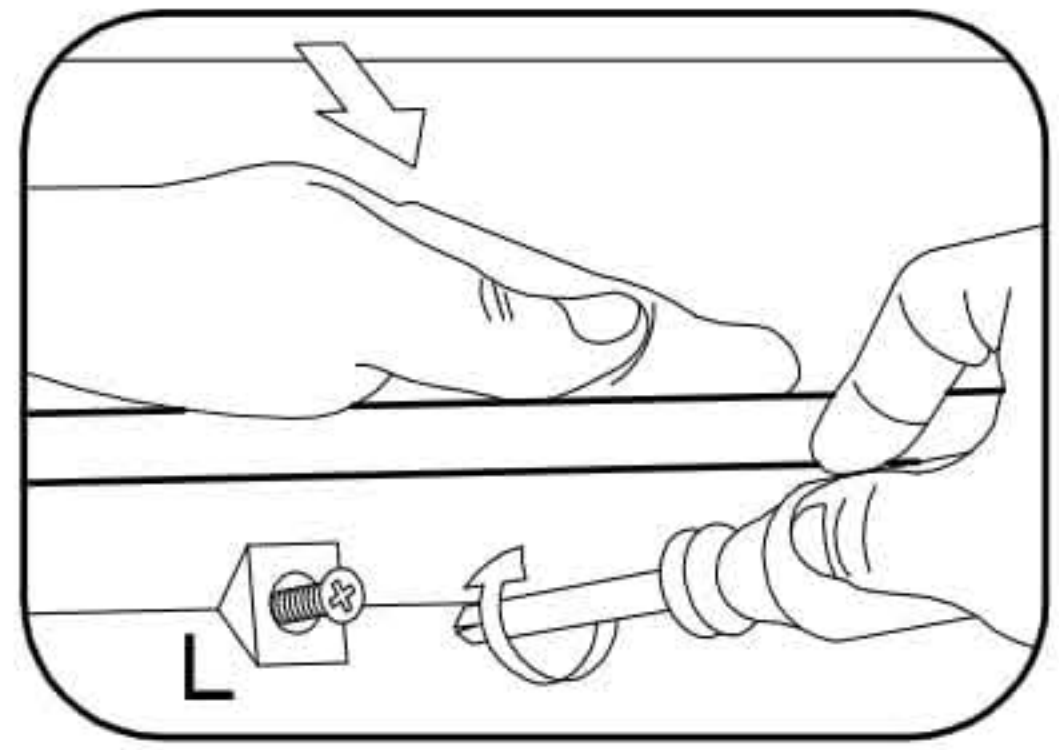
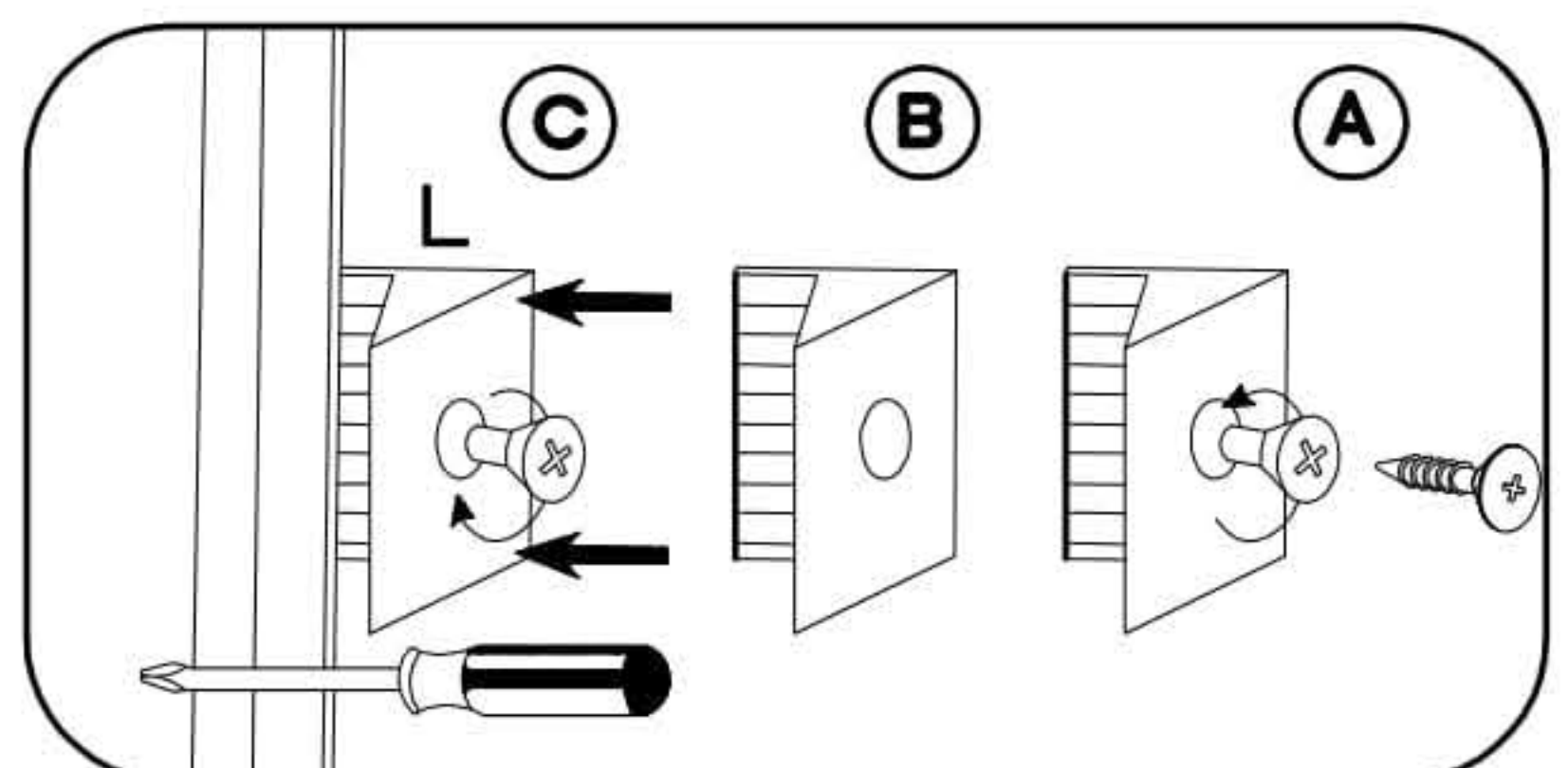
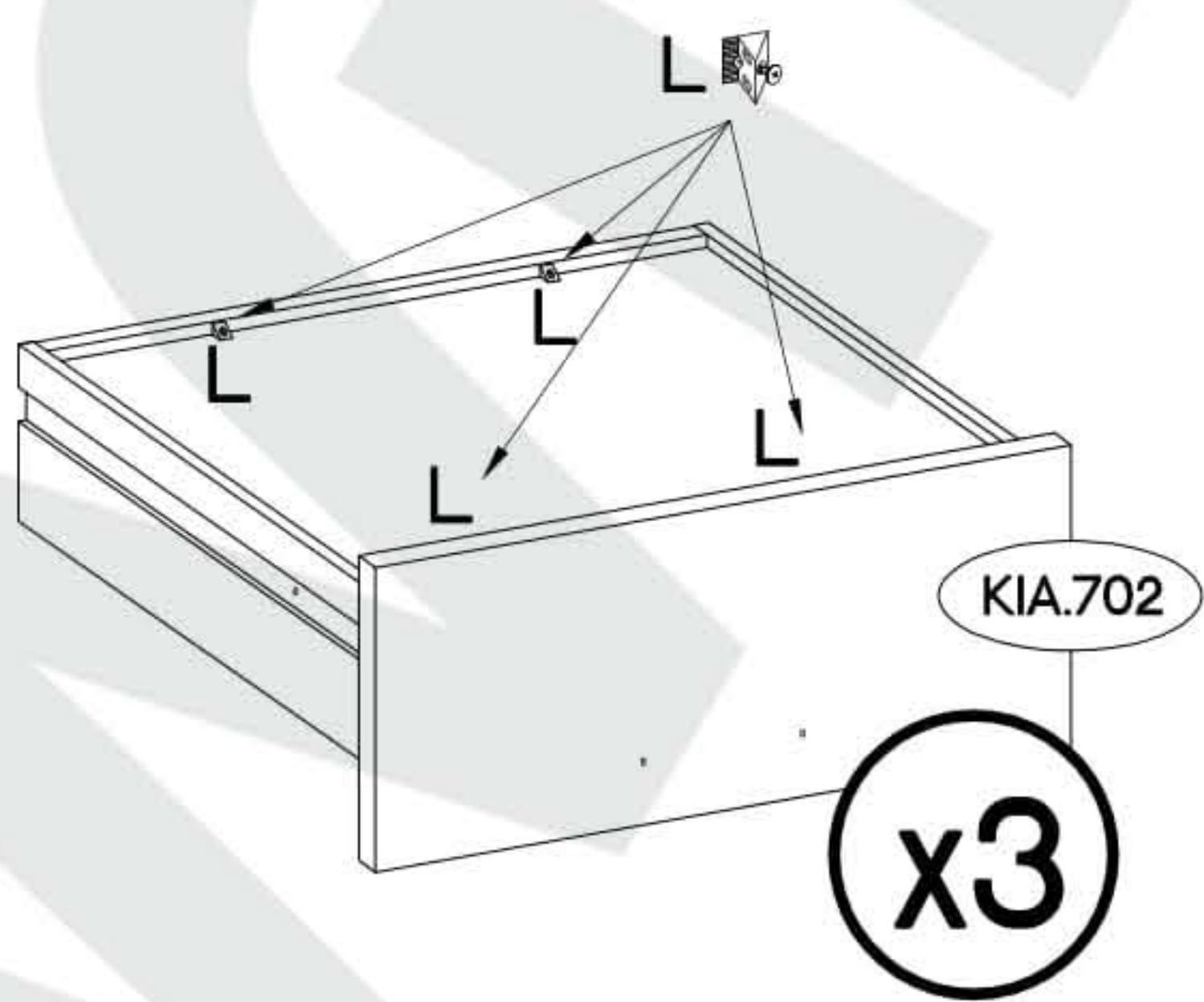
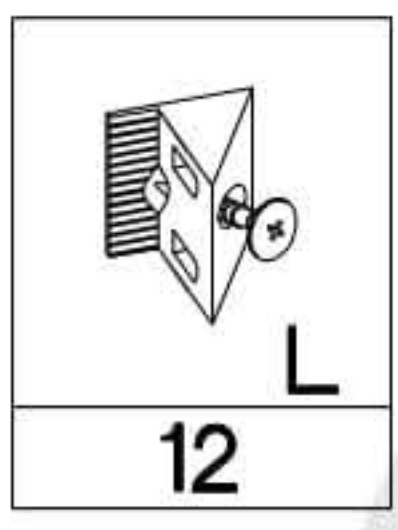
4

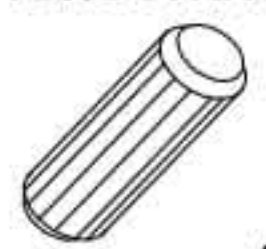


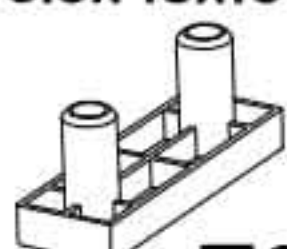
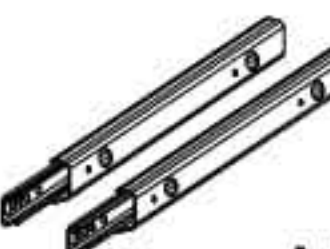



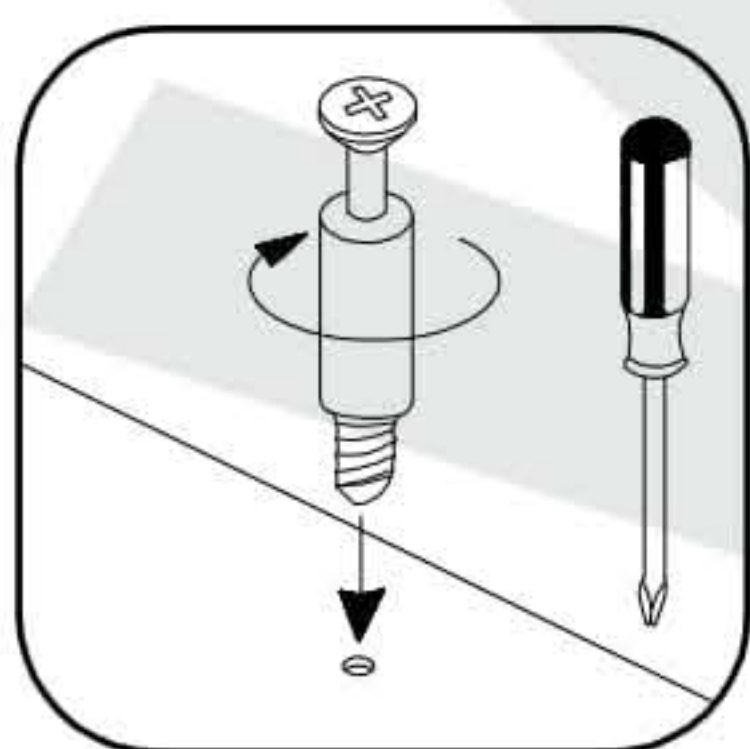
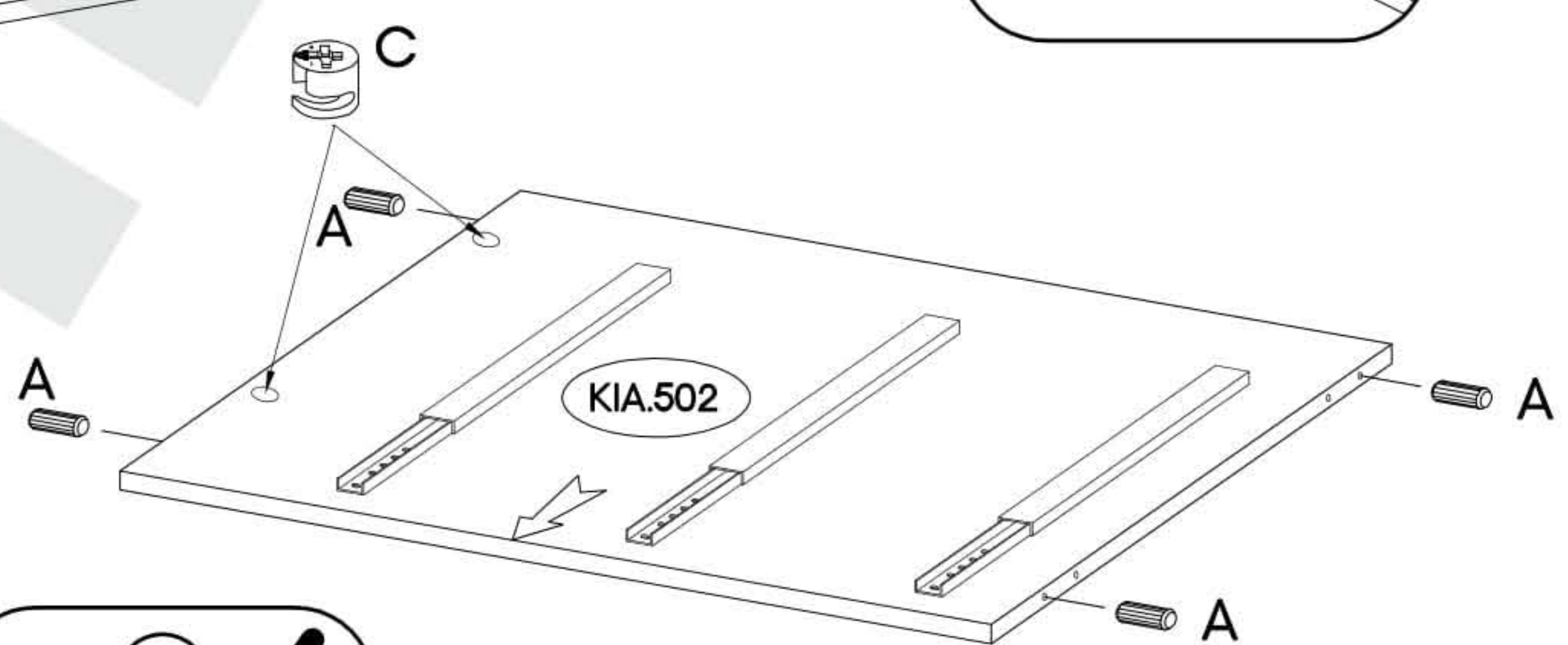
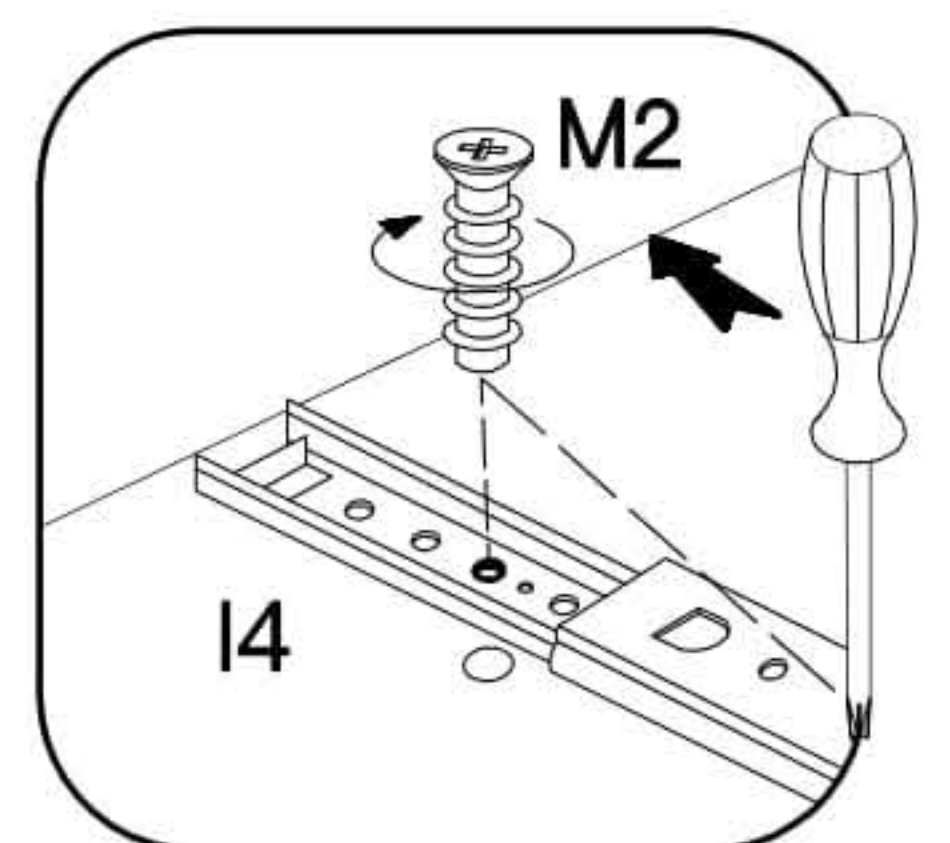
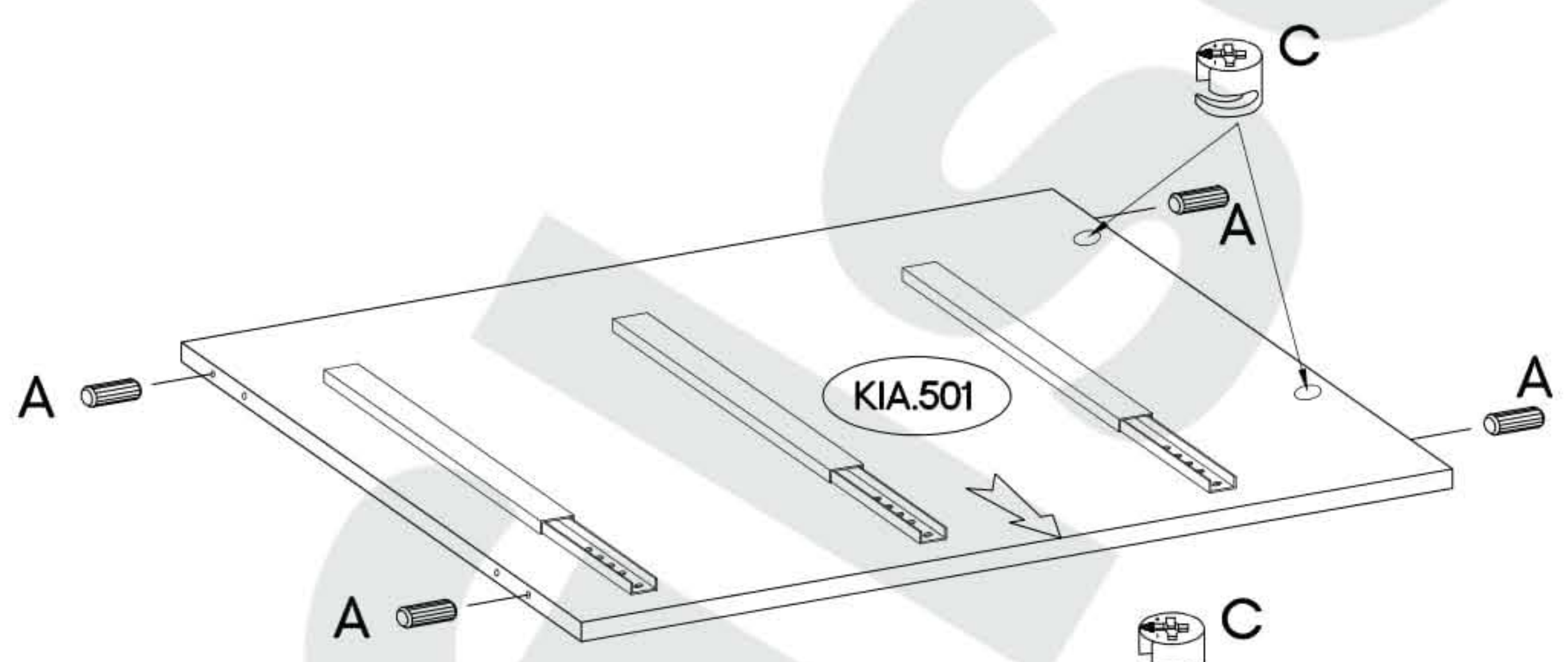
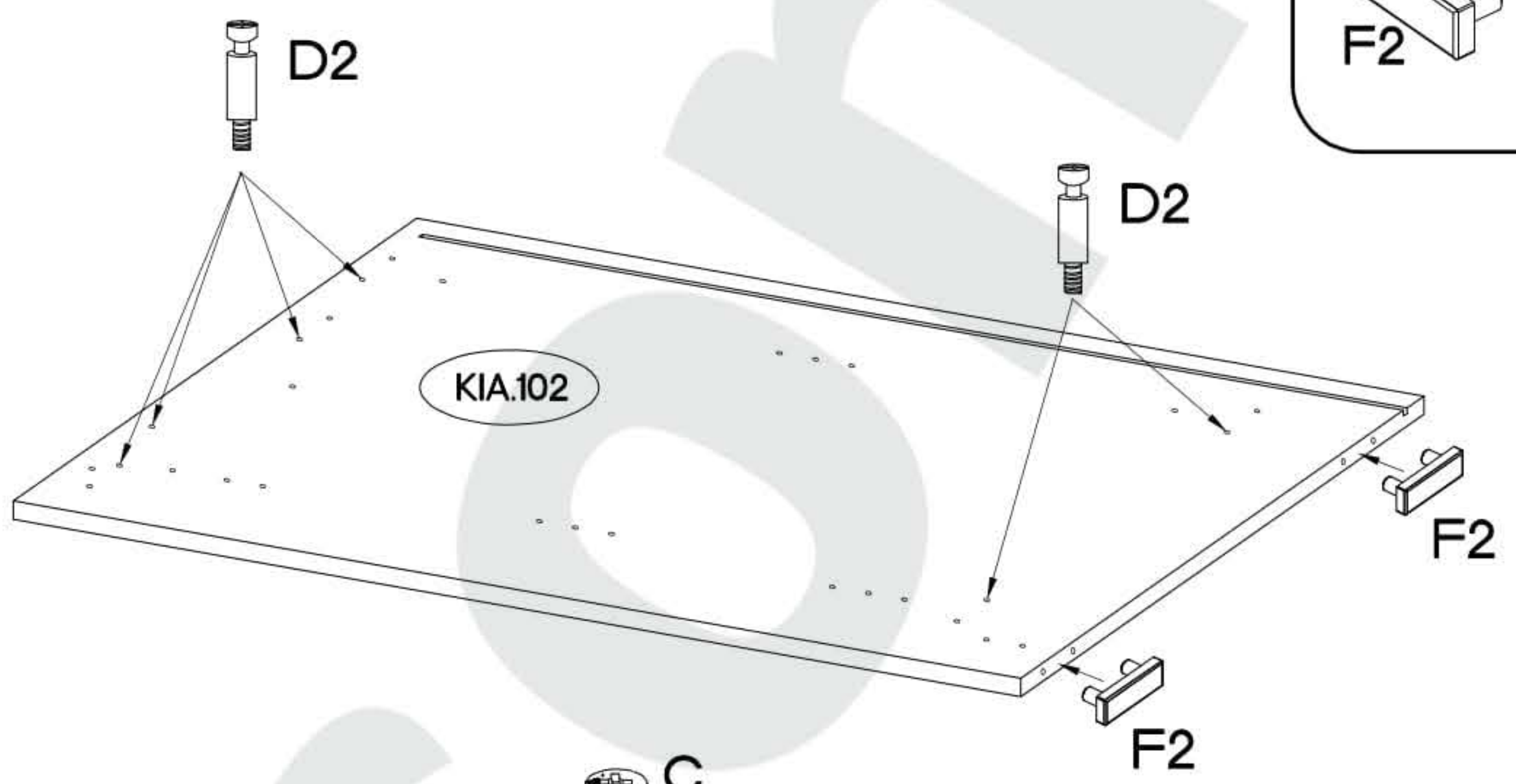
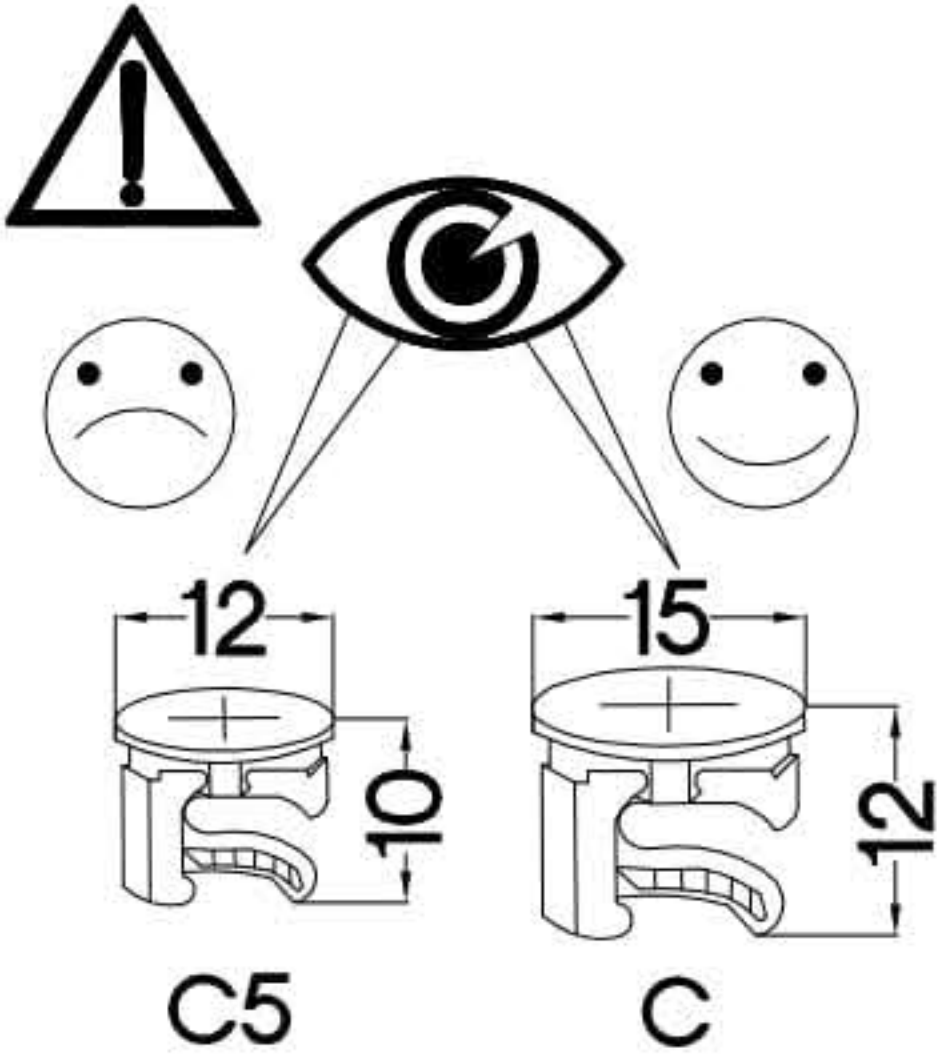
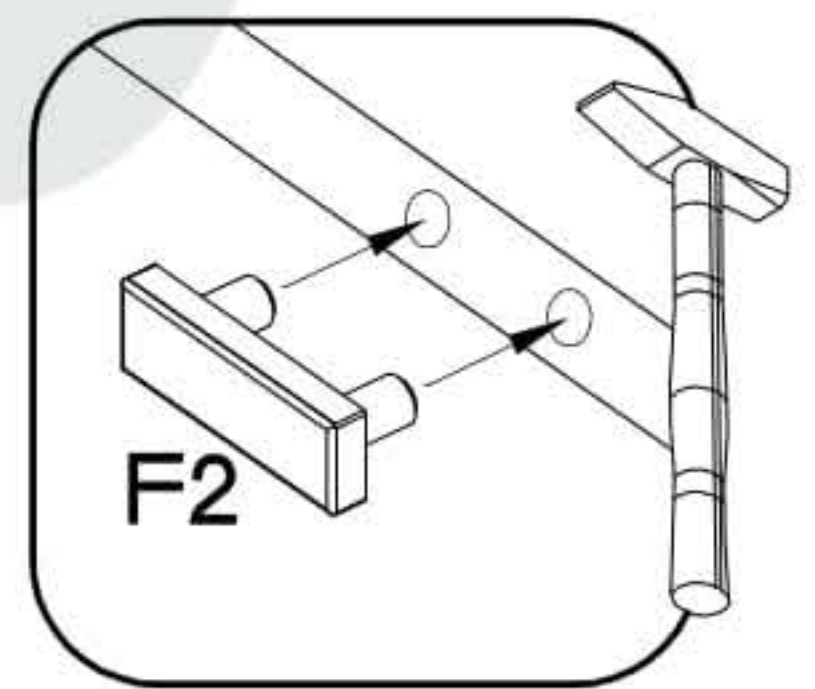
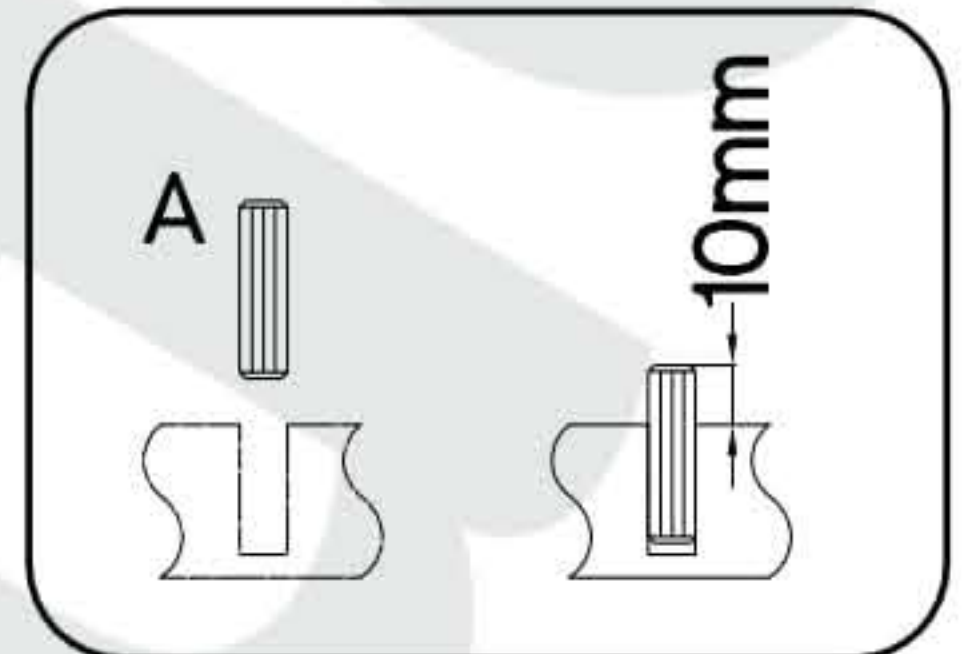
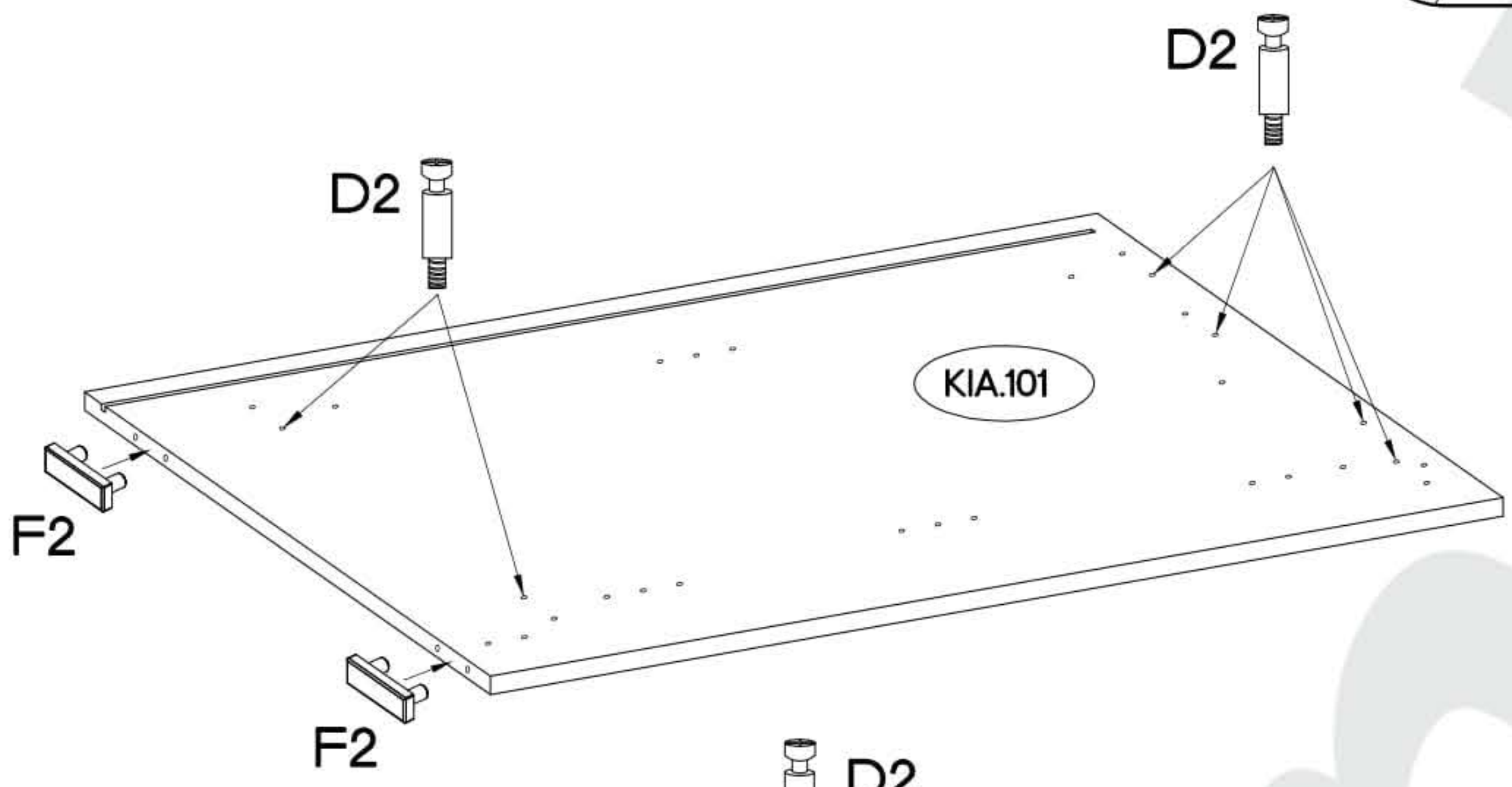
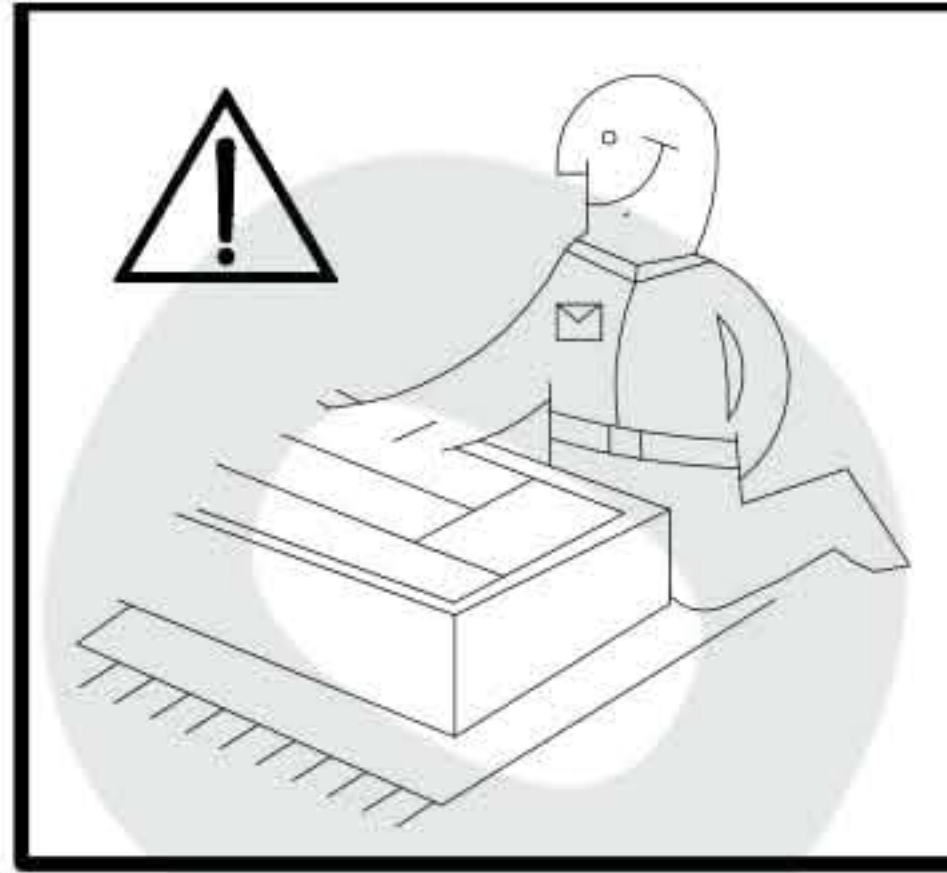
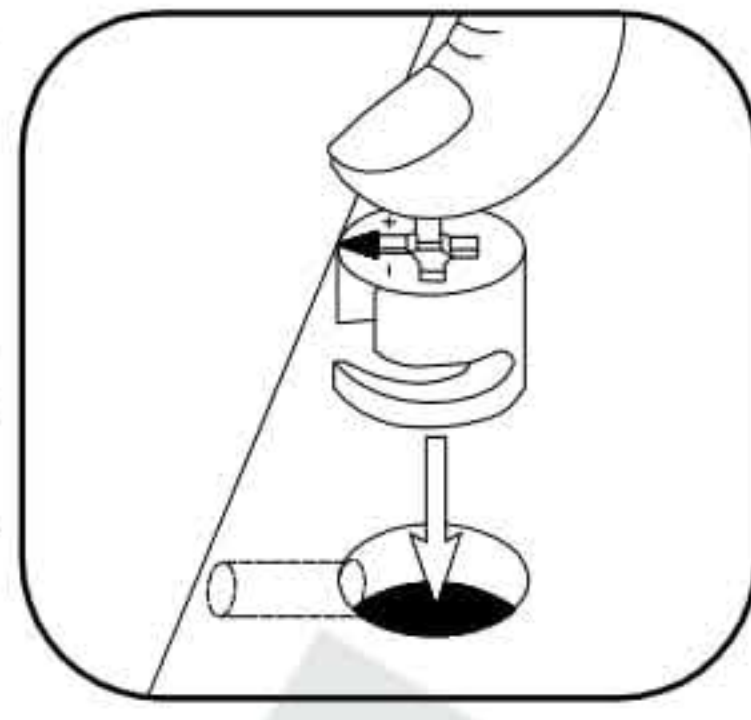
x3

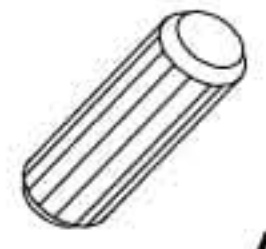


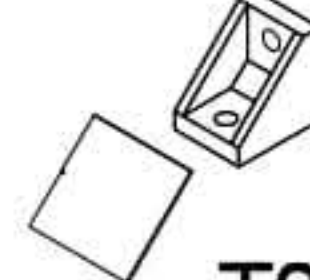




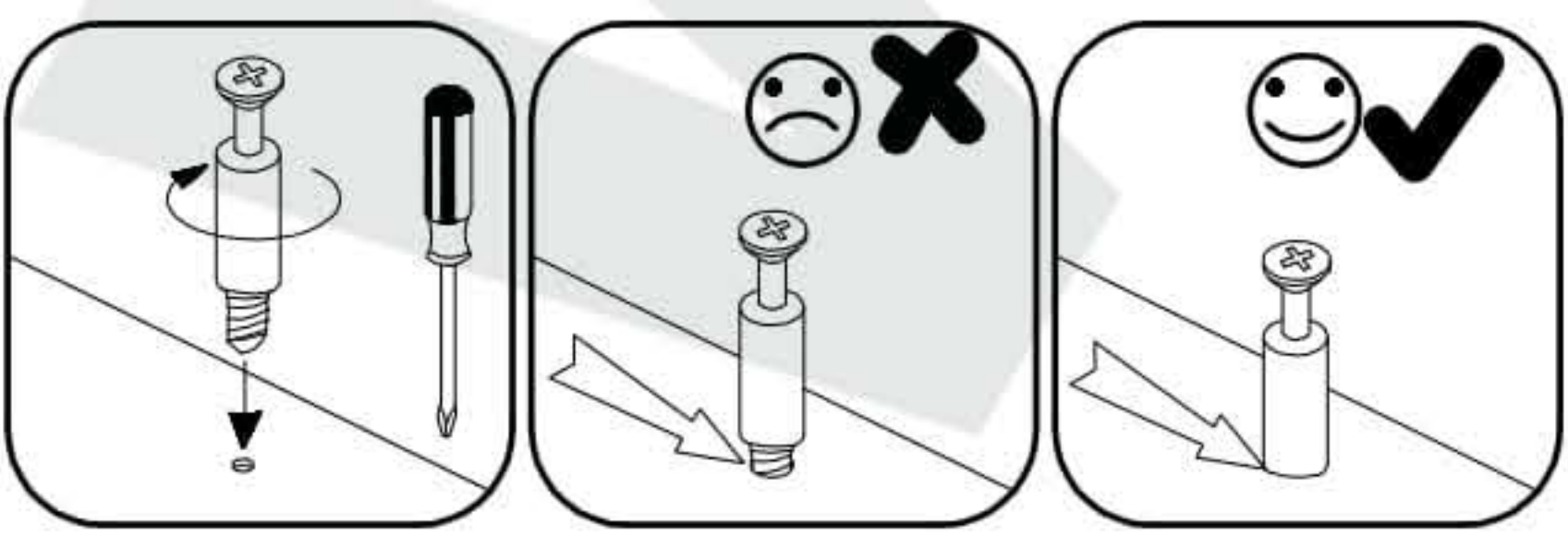
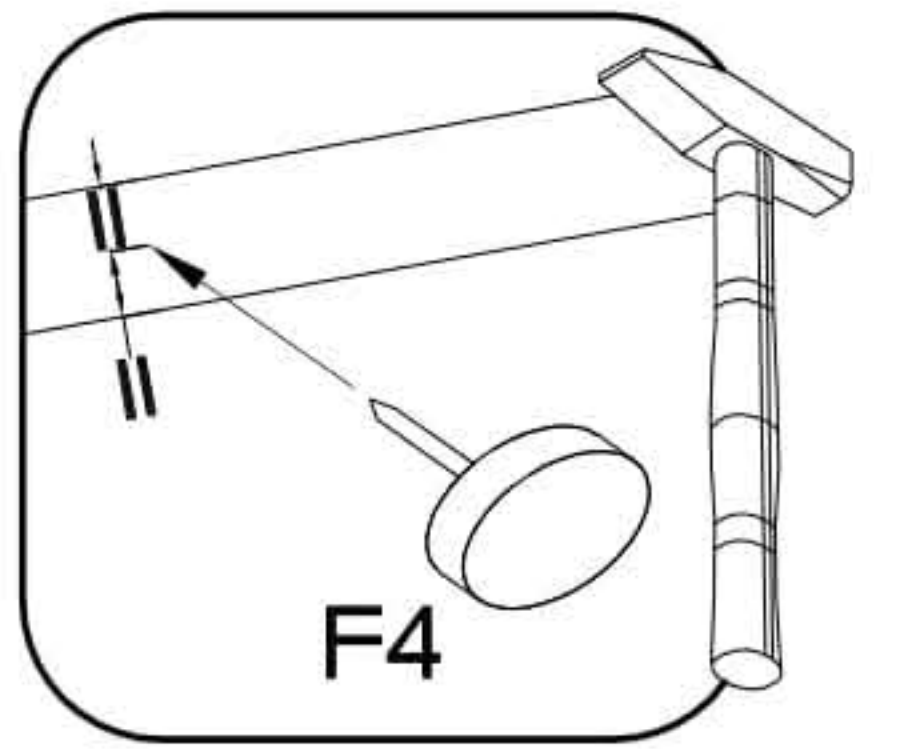
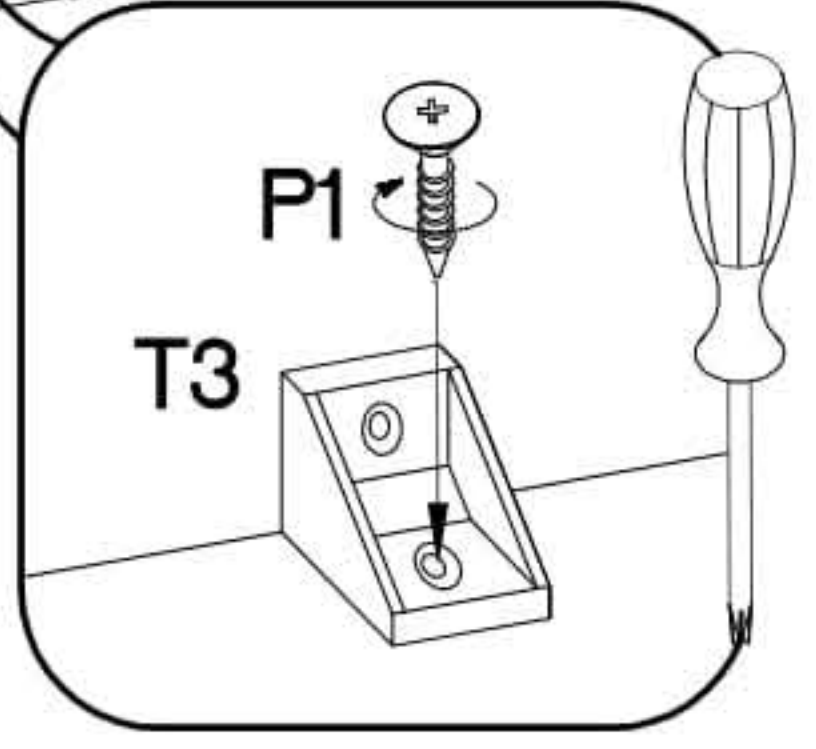
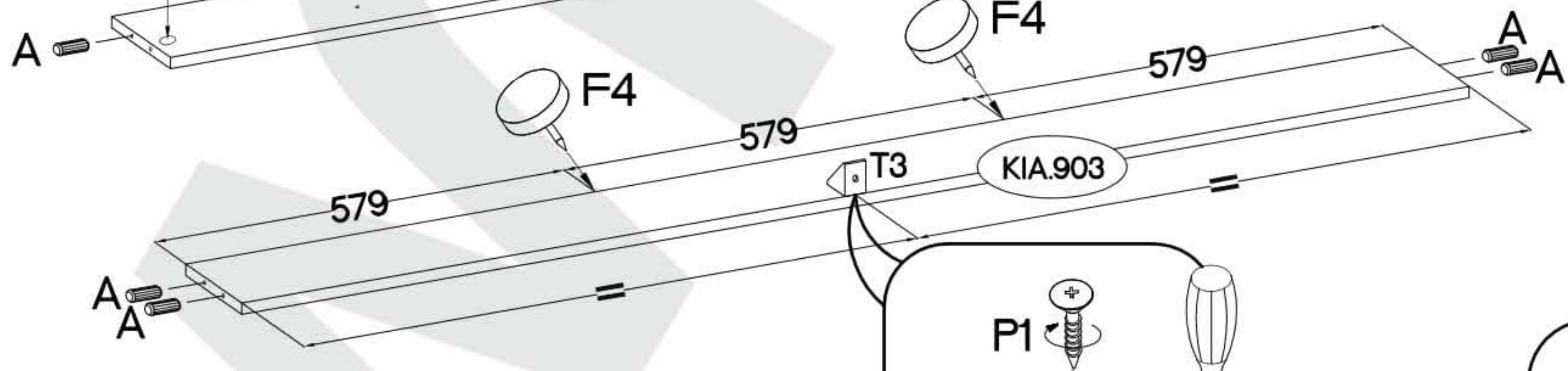
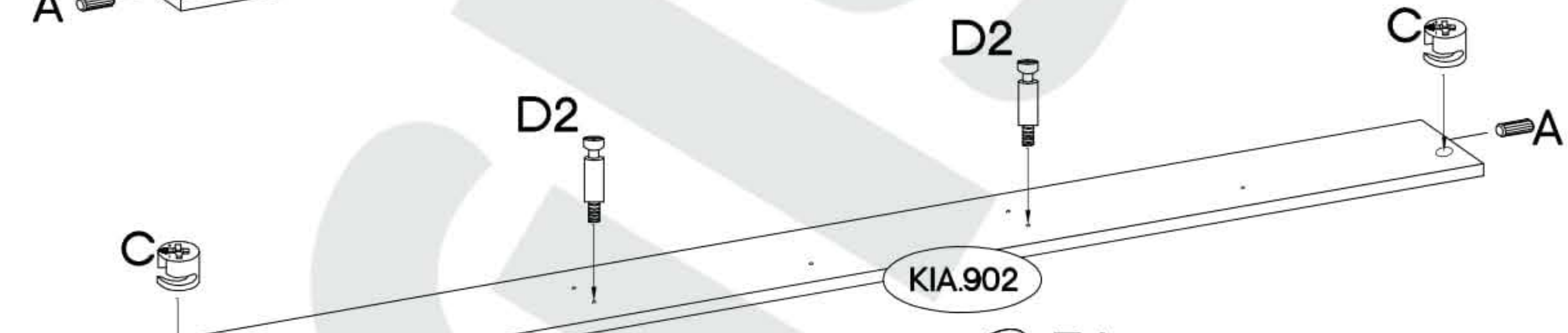
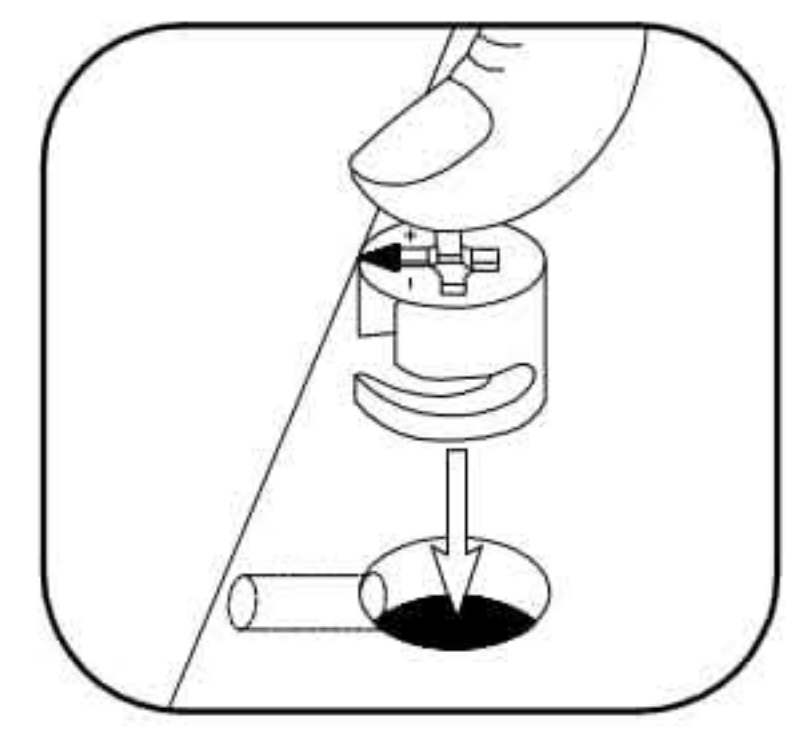
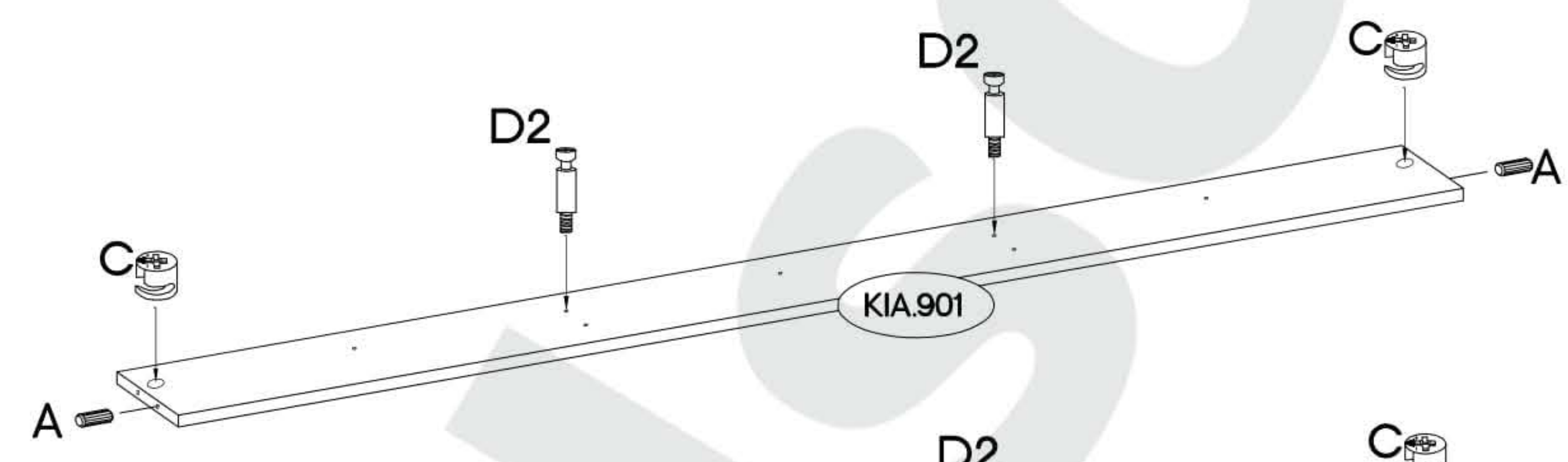
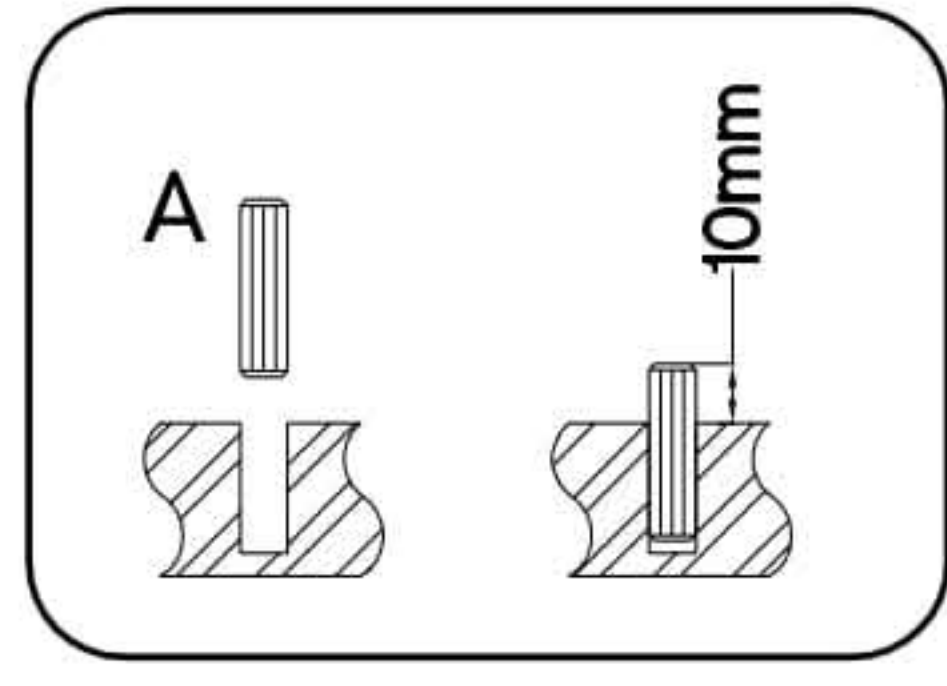
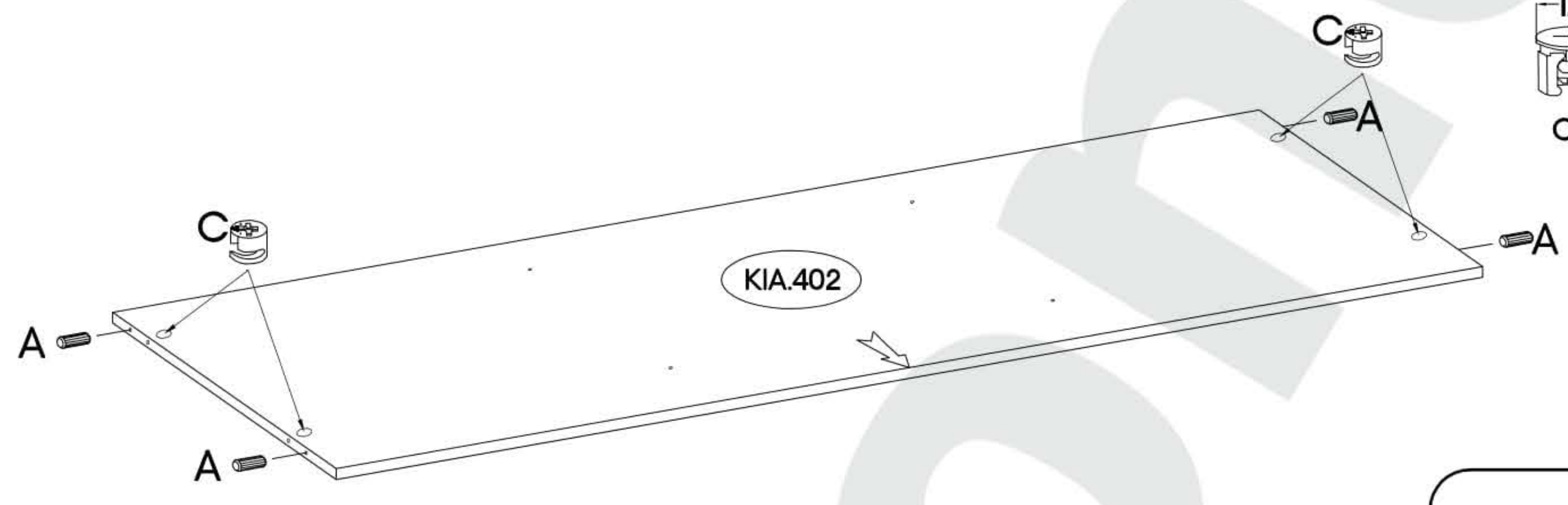
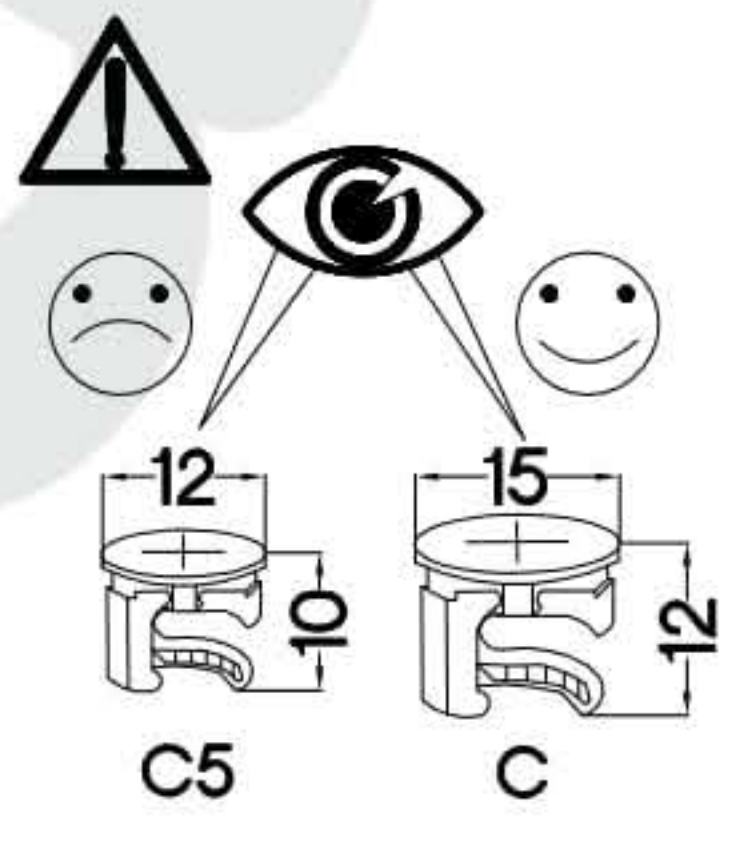
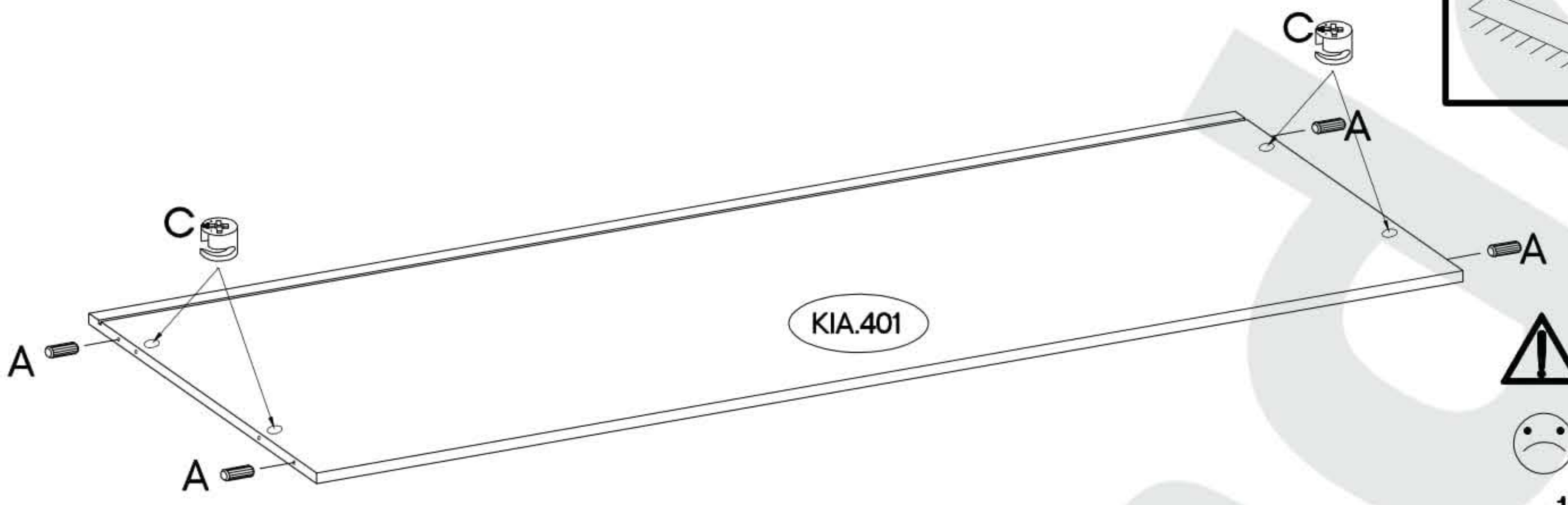
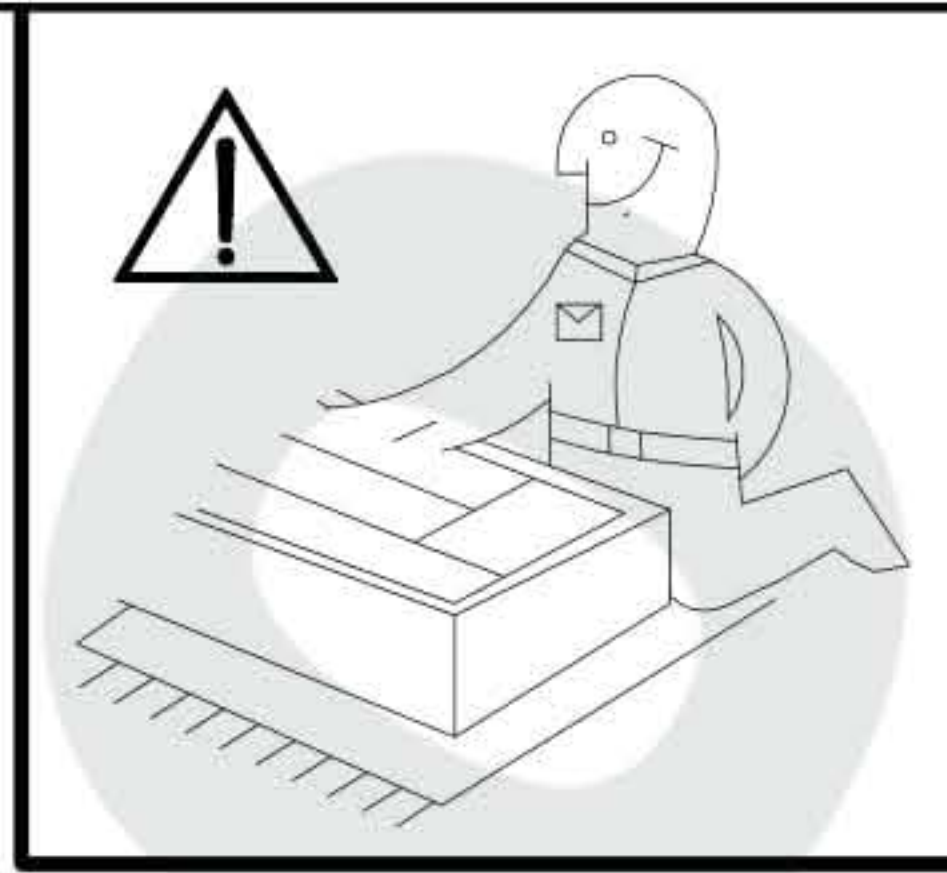
5



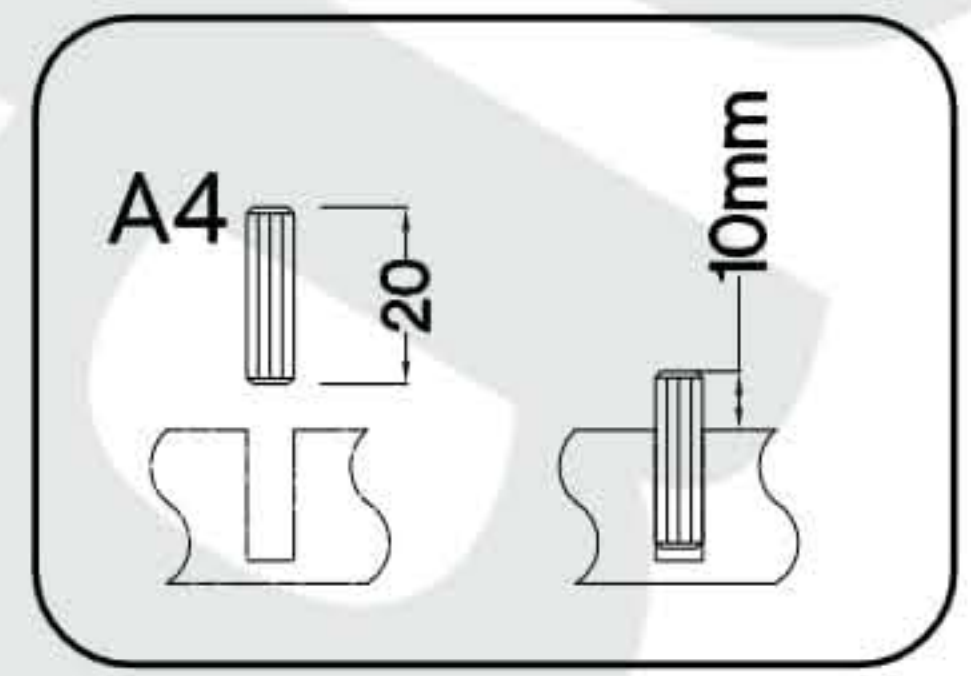
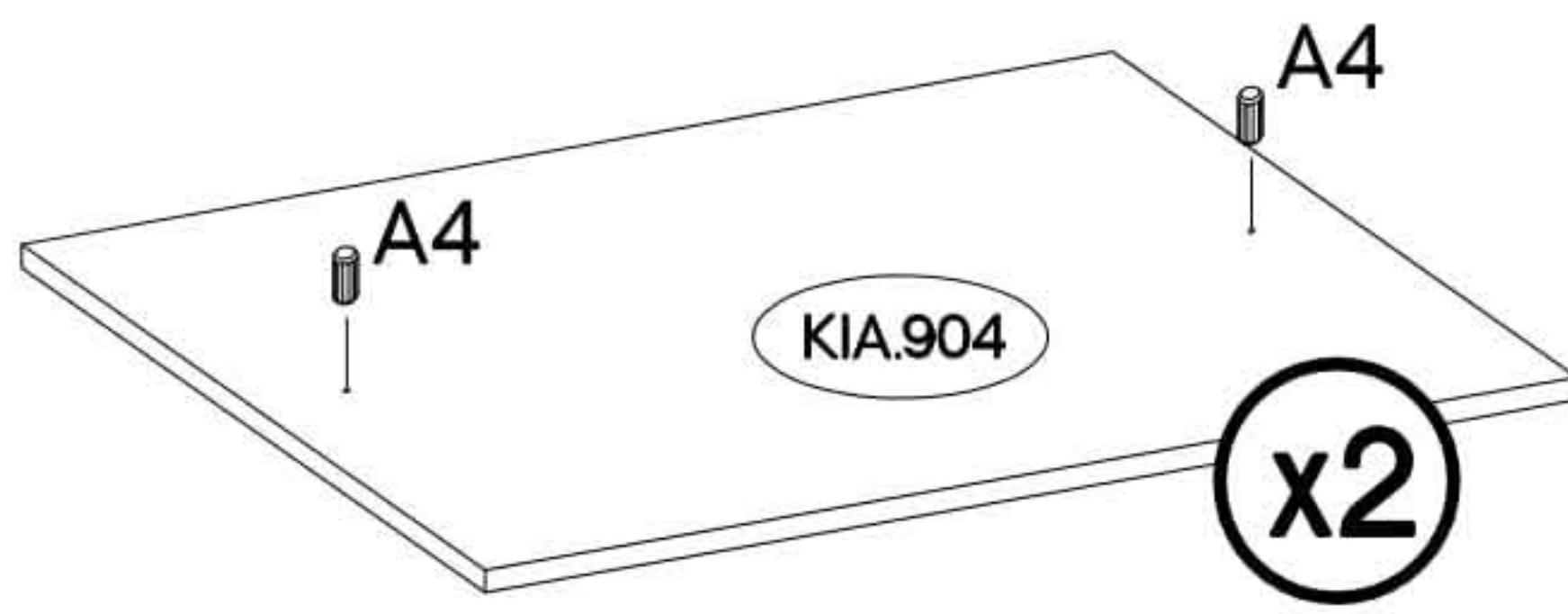
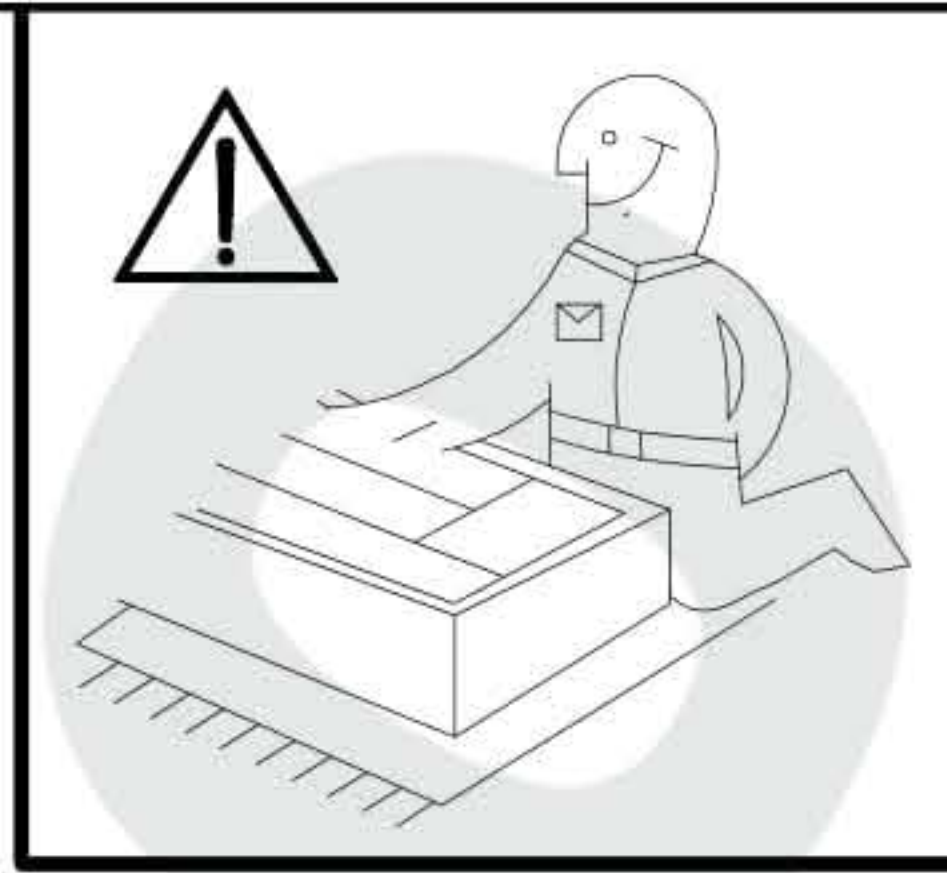
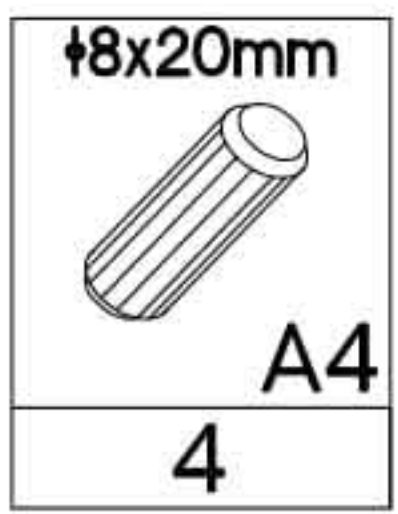
<p>†8x30mm</p>  <p>A</p> <p>8</p>	<p>L=20mm</p>  <p>D2</p> <p>12</p>	<p>†15/12mm</p>  <p>C</p> <p>4</p>	<p>6.5x48x16</p>  <p>F2</p> <p>4</p>	<p>27/310mm</p>  <p>I4</p> <p>3</p>	<p>†6,3x13mm</p>  <p>M2</p> <p>12</p>
--	---	---	---	---	--



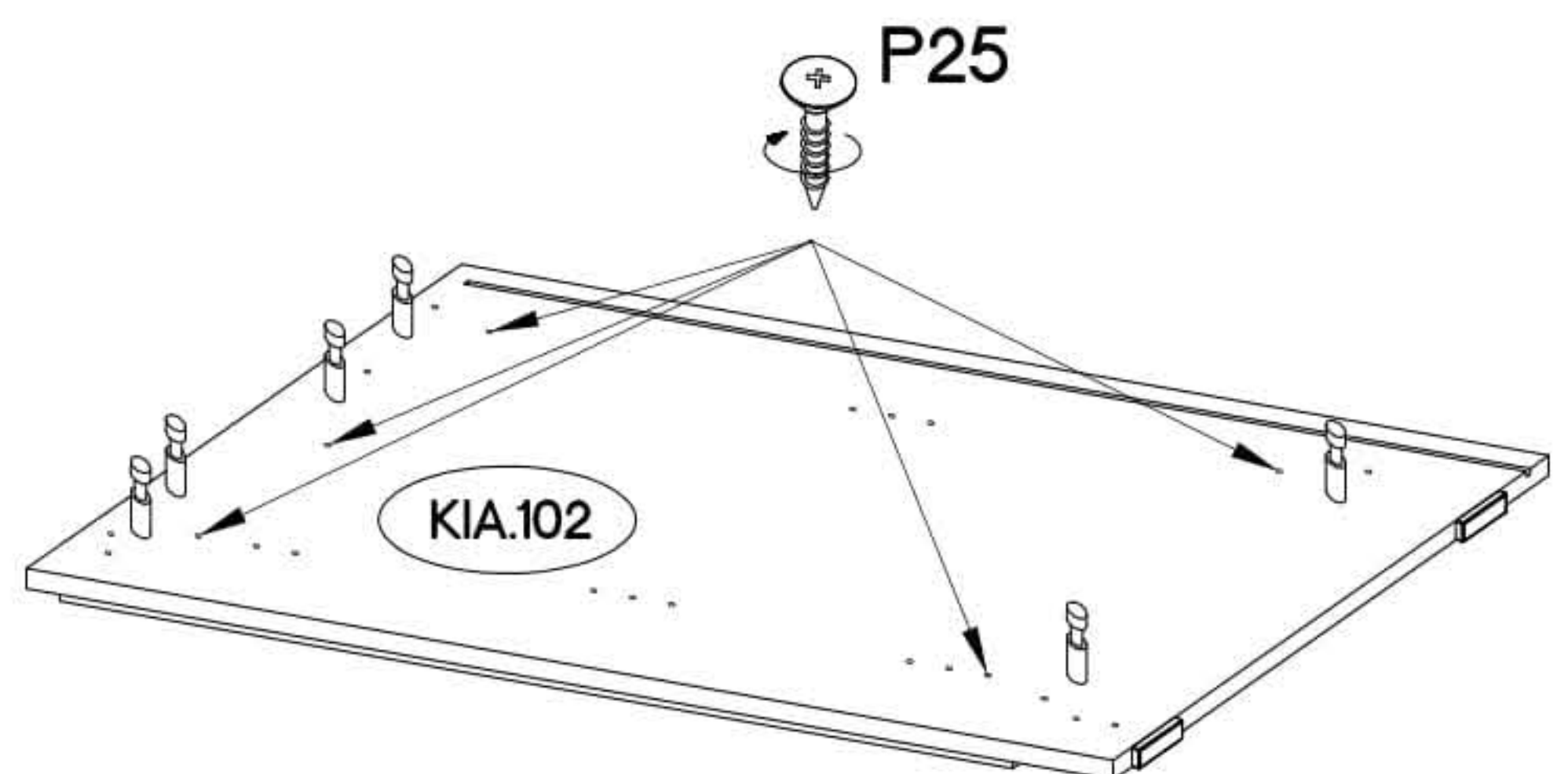
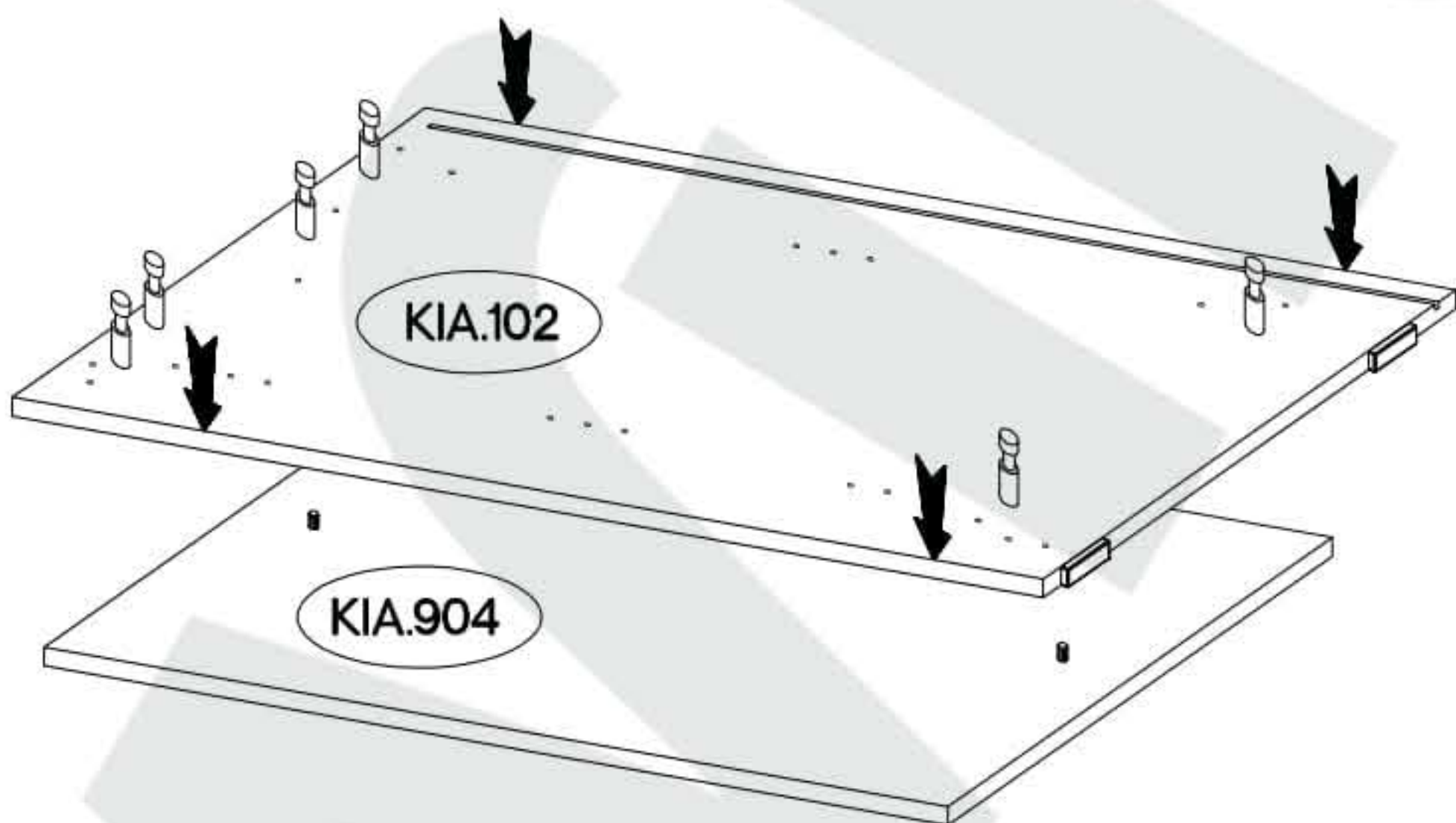
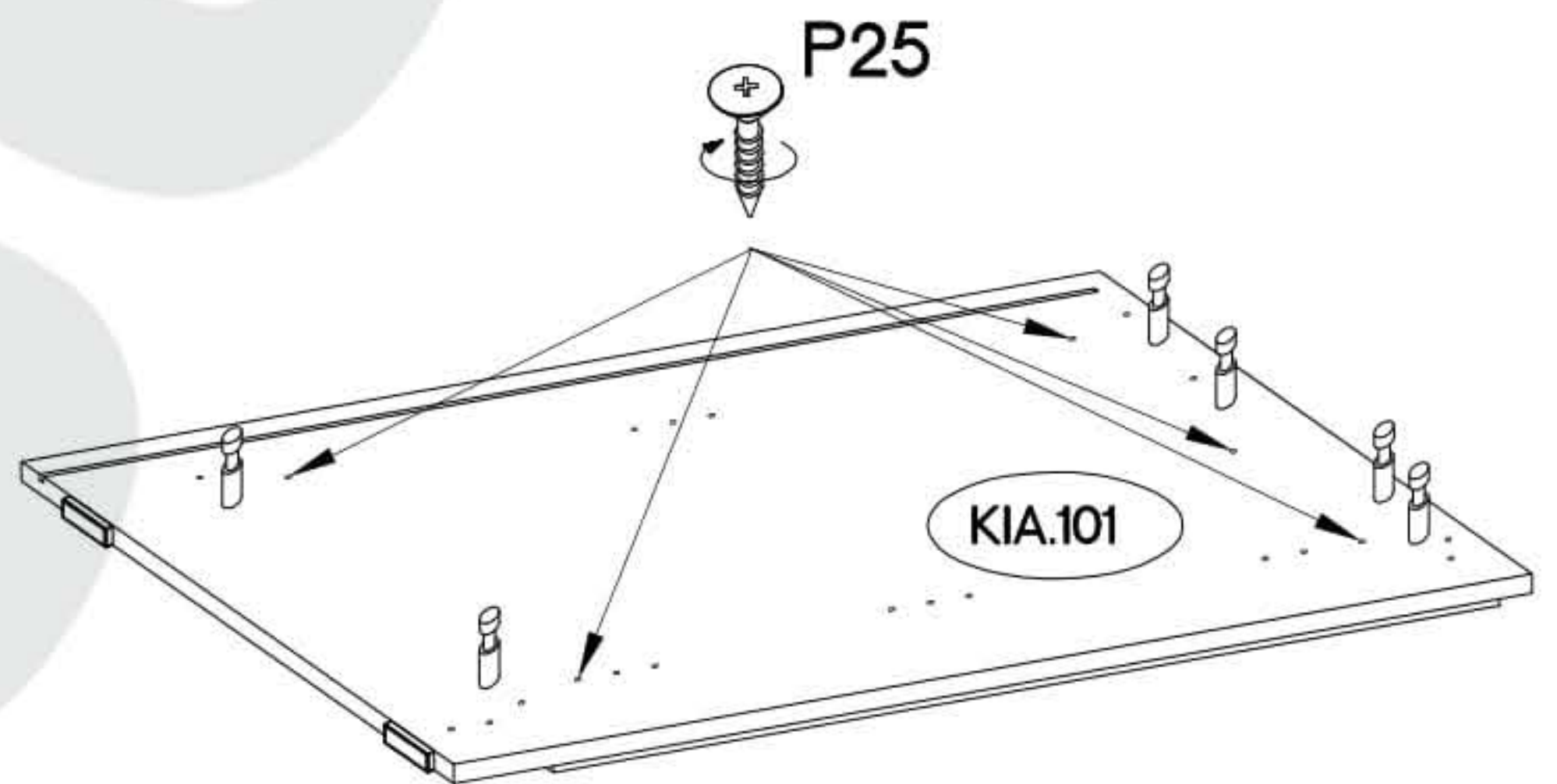
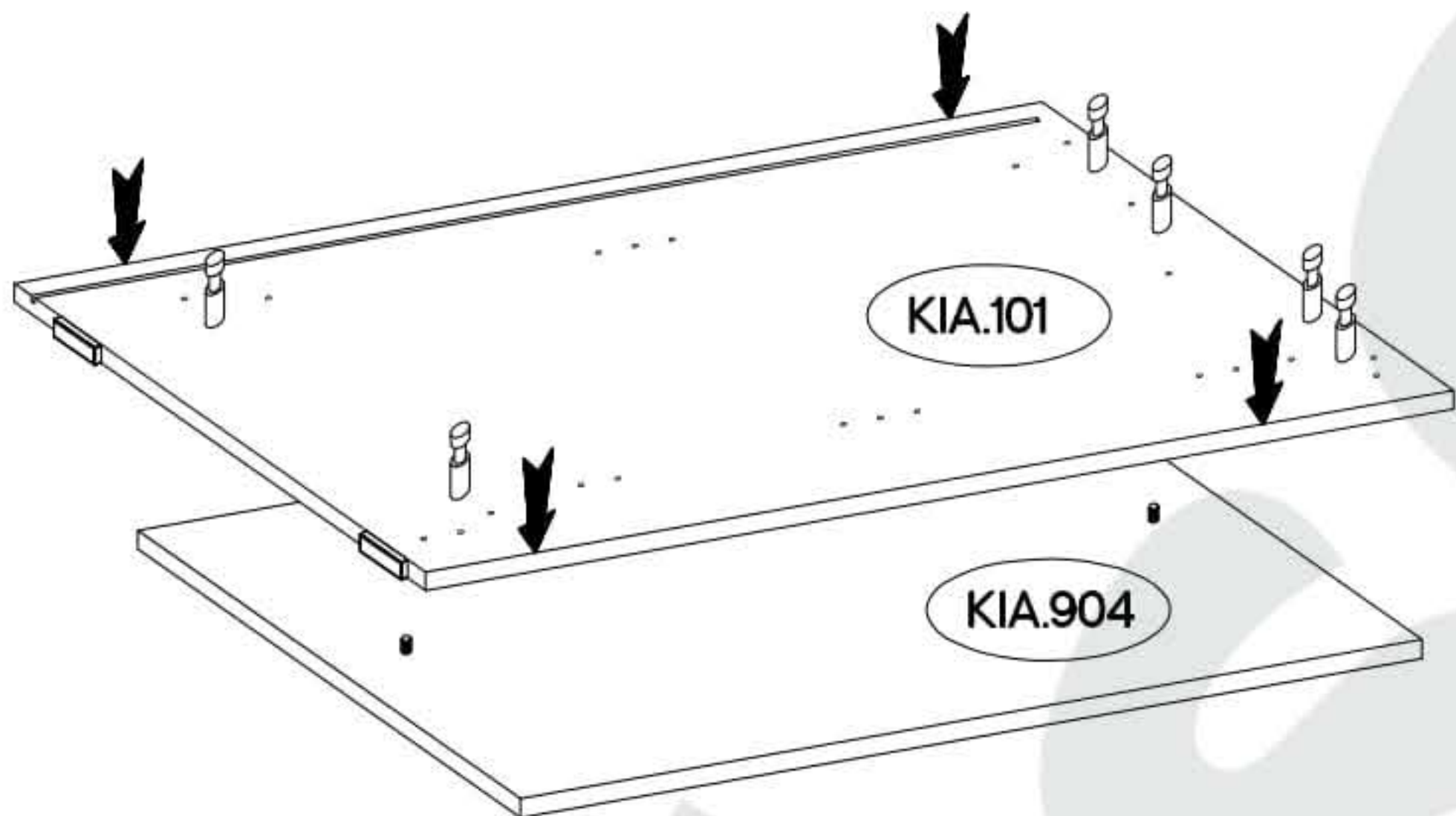
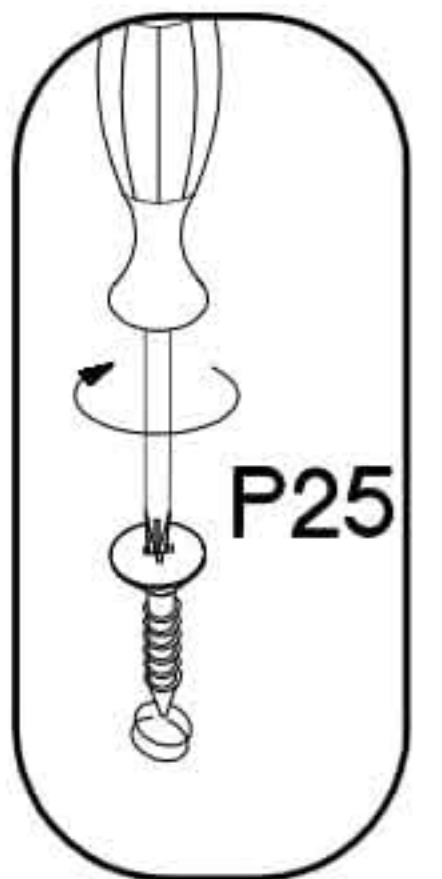
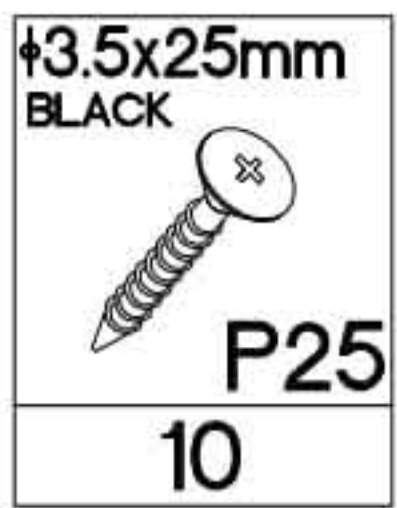
†8x30mm  A	L=20mm  D2	†15/12mm  C	 T3	†4.0x16mm  P1	†15x5mm  F4
16	4	12	1	1	2

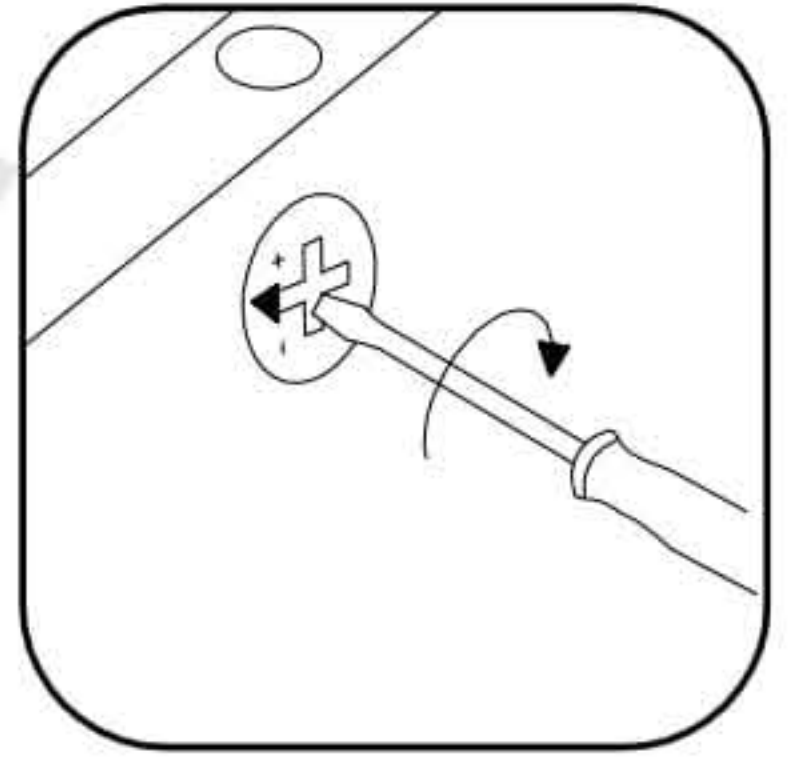
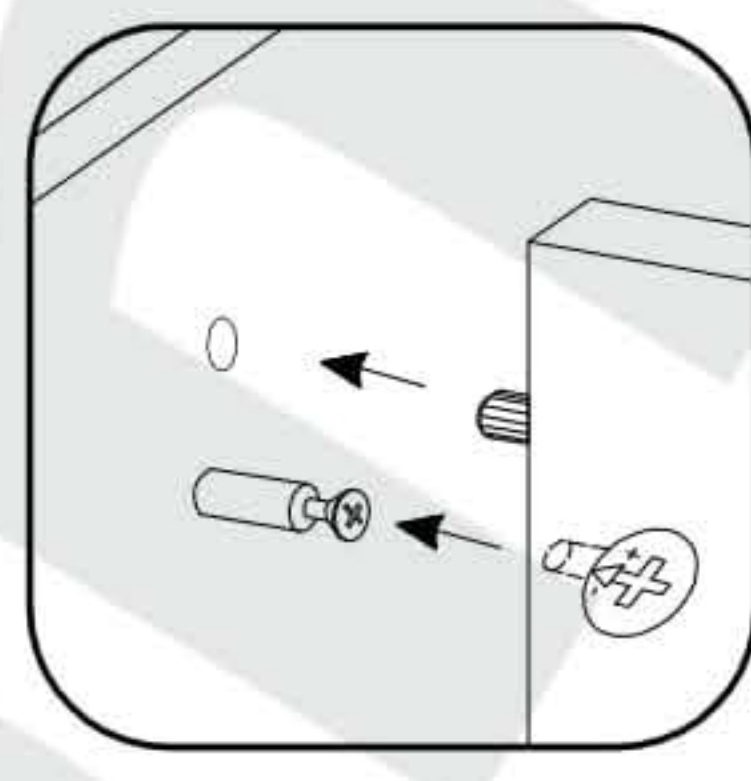
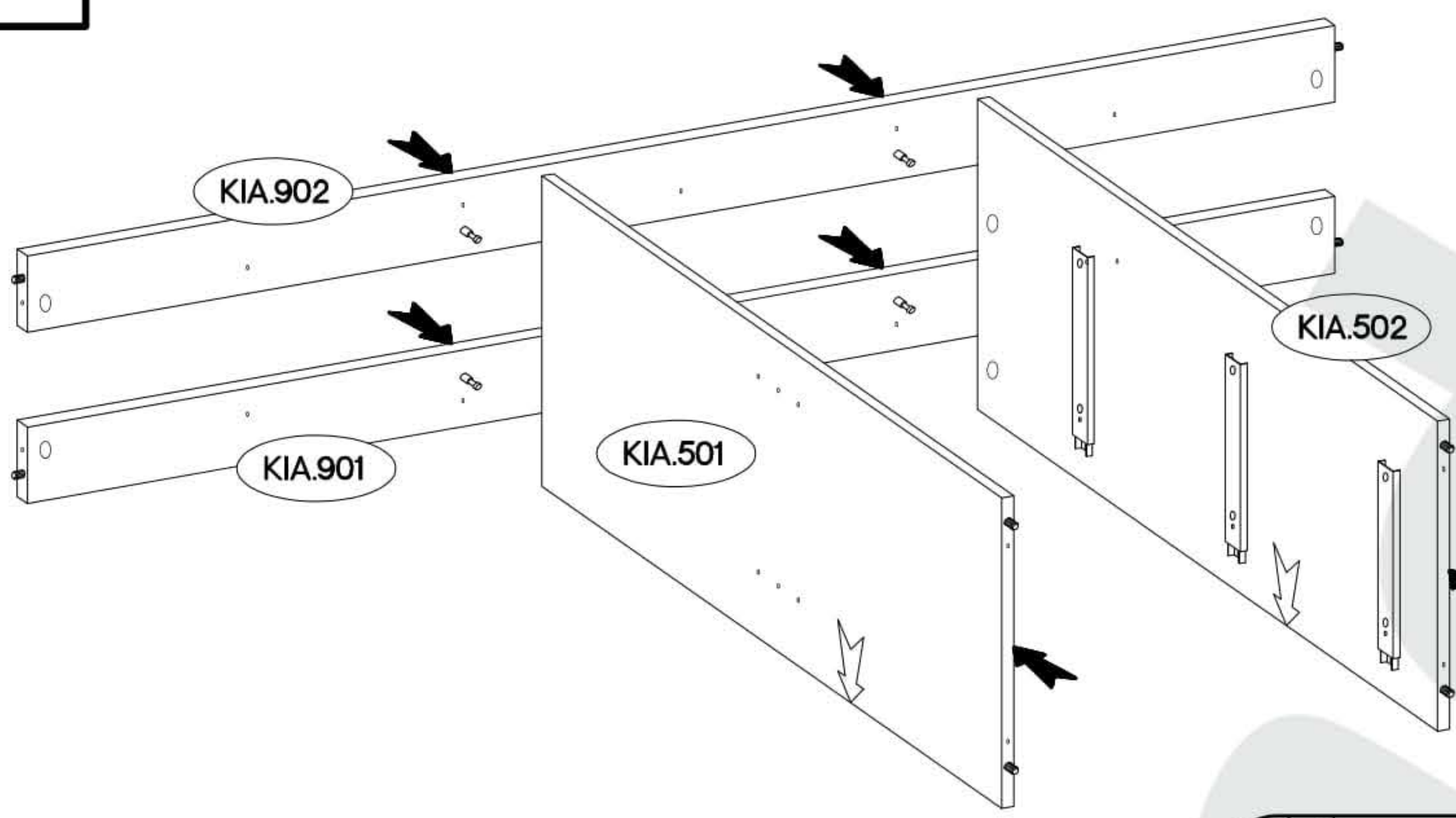
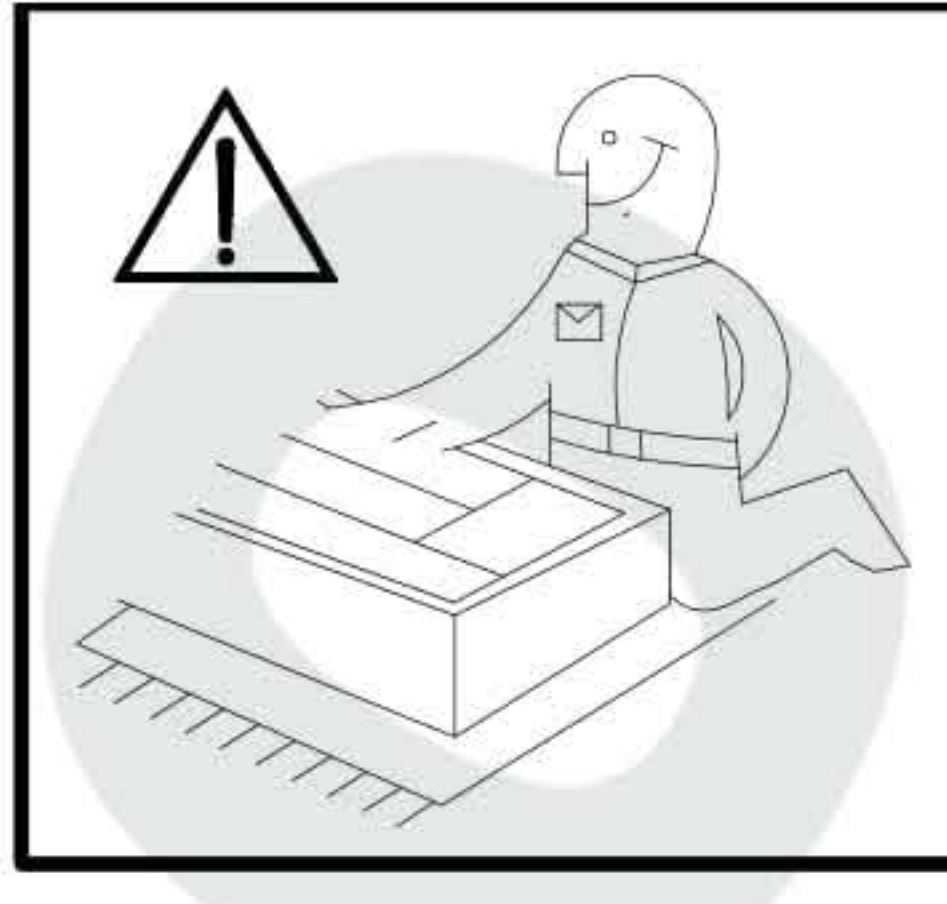




8

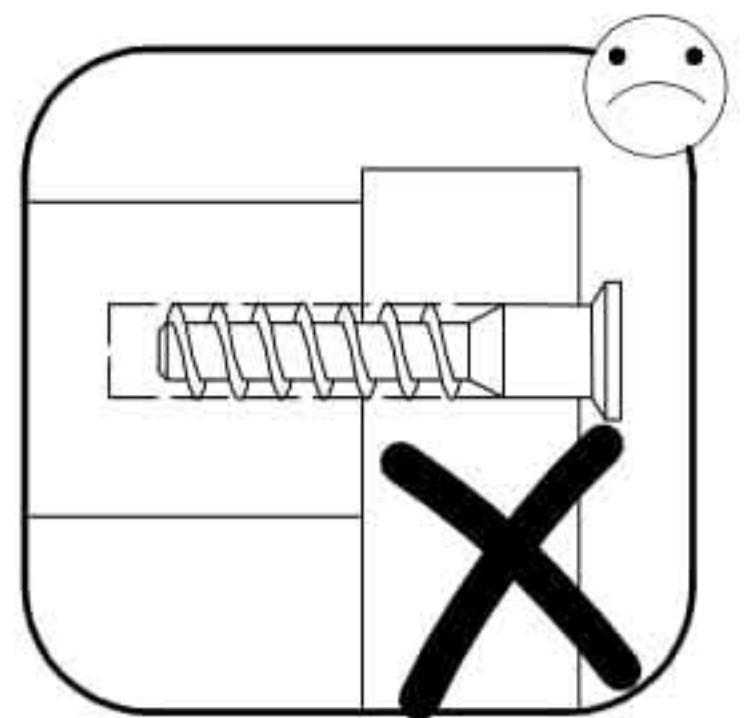
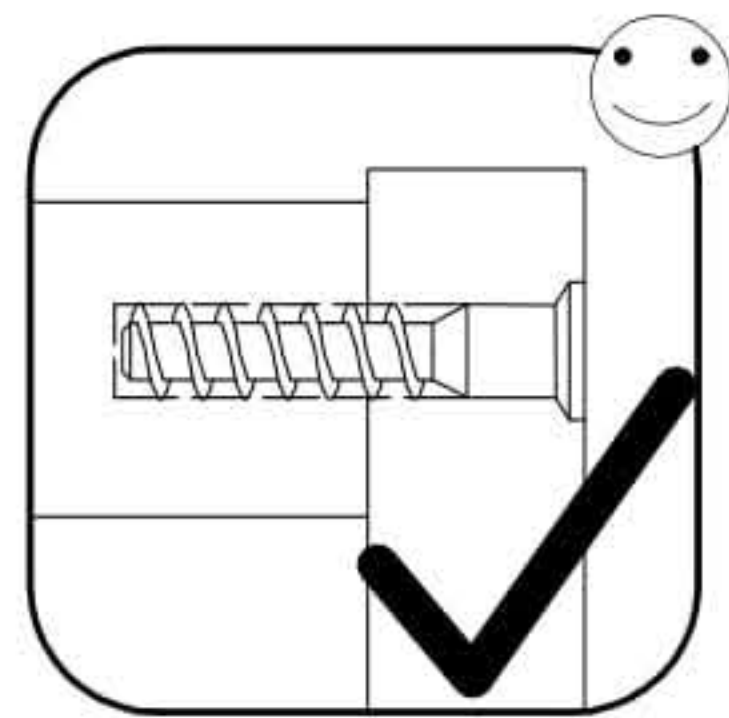
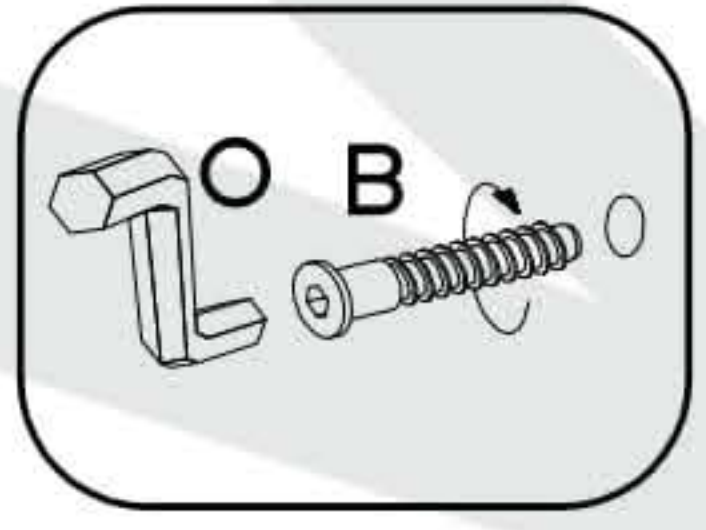
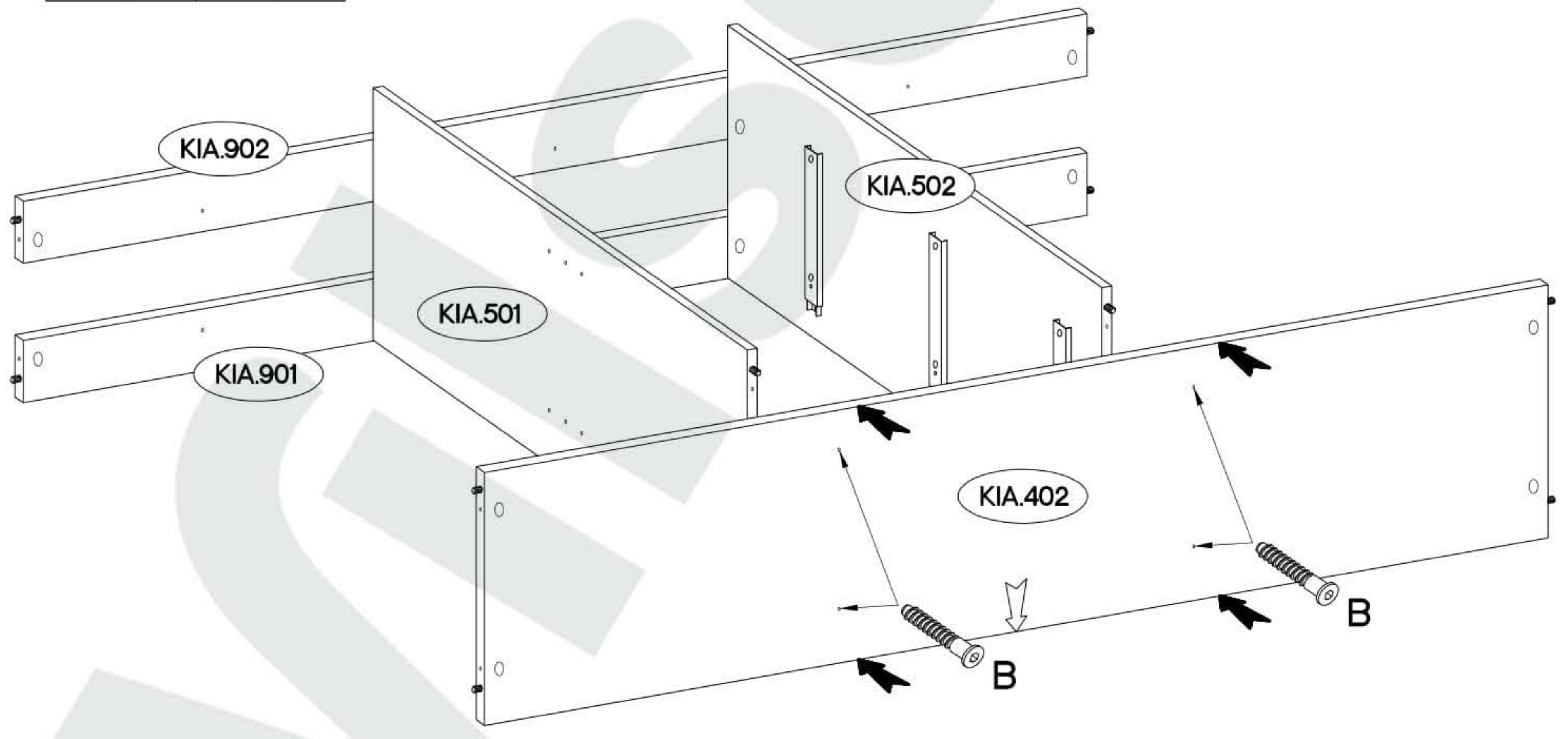


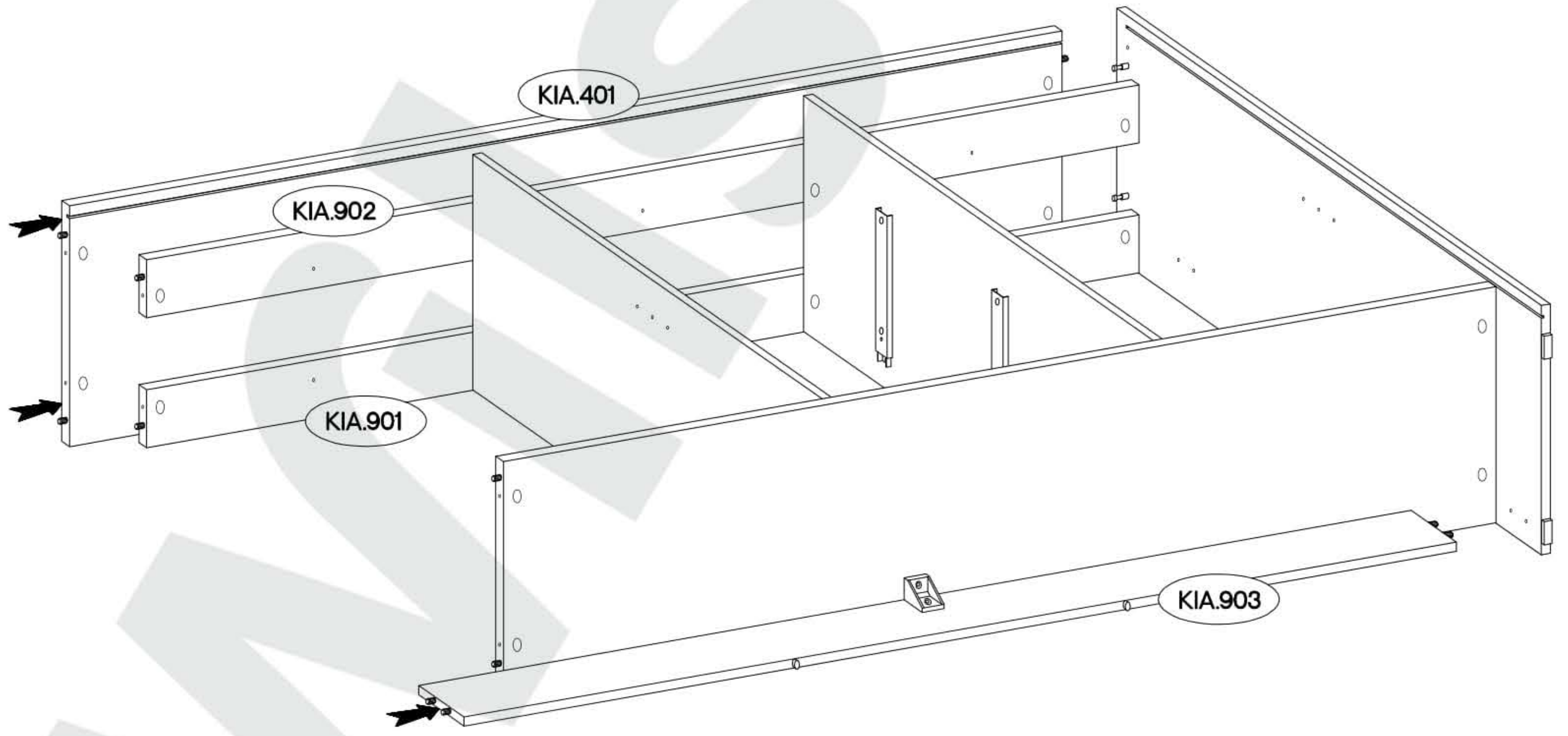
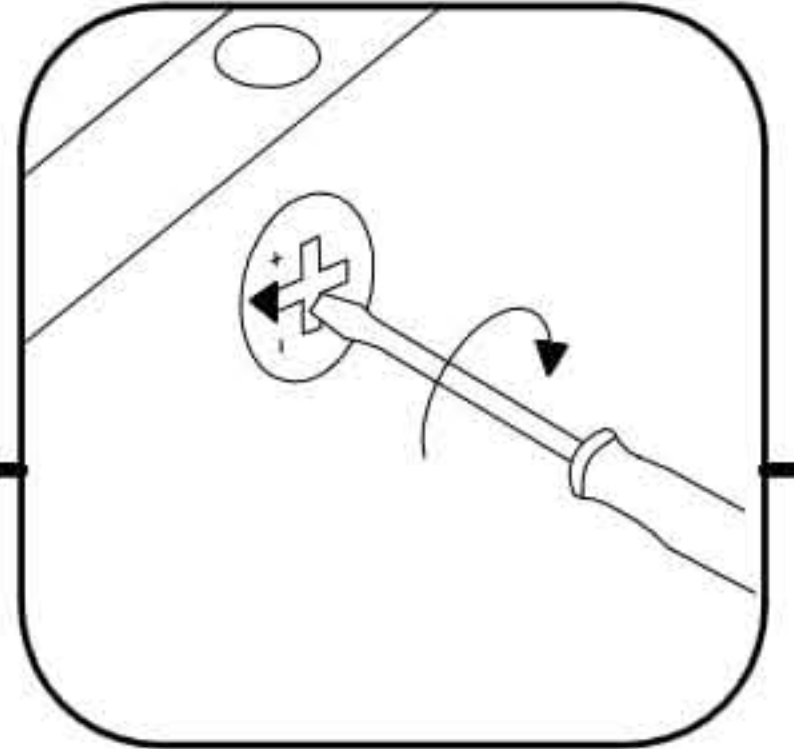
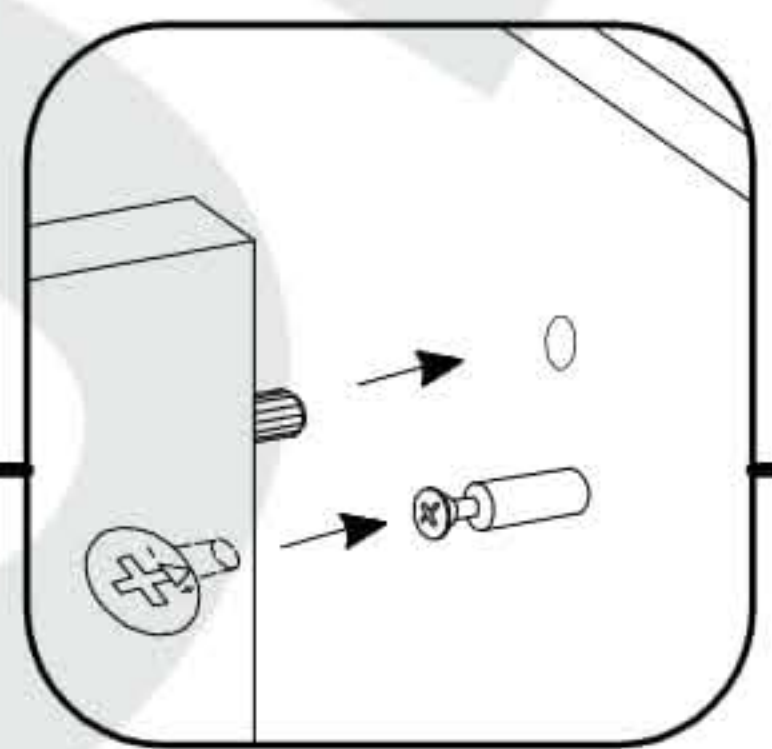
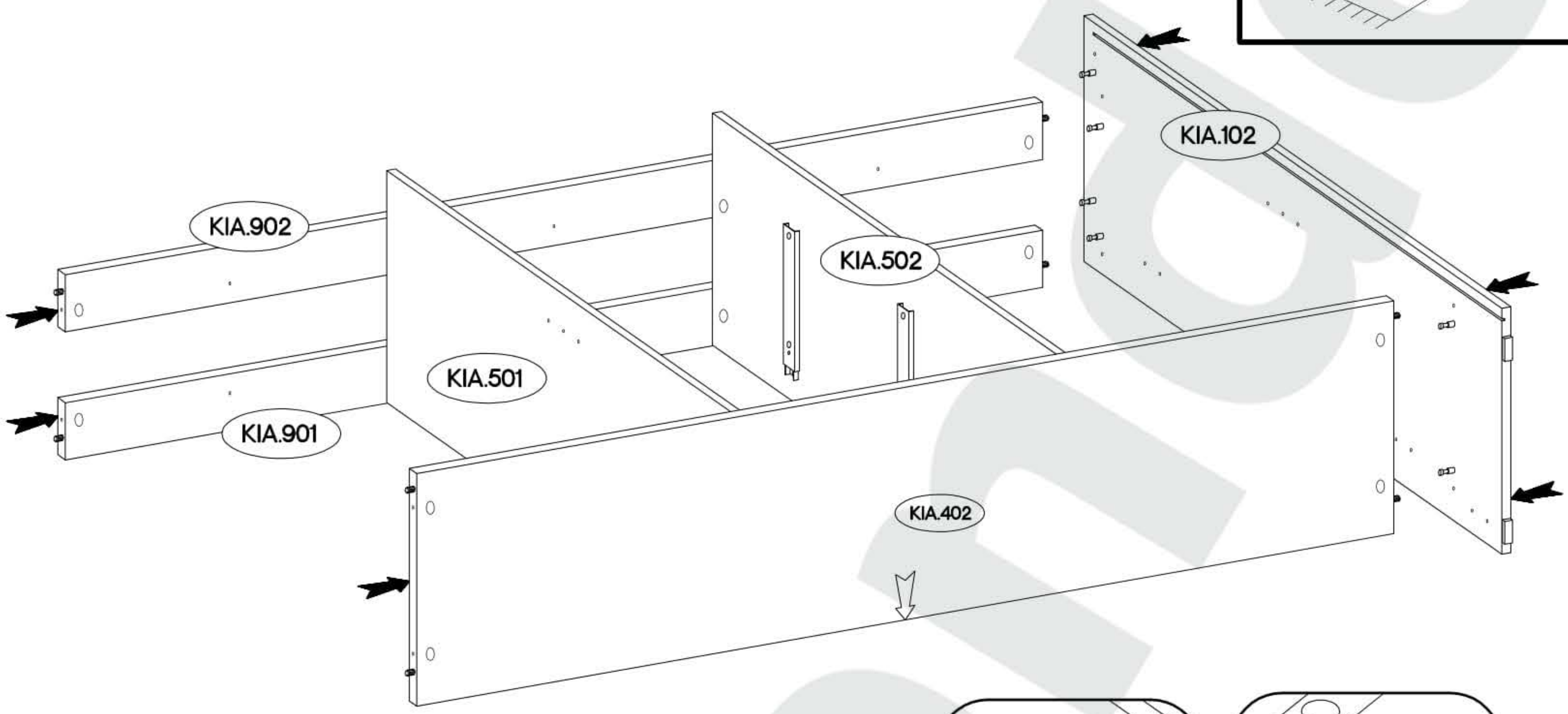
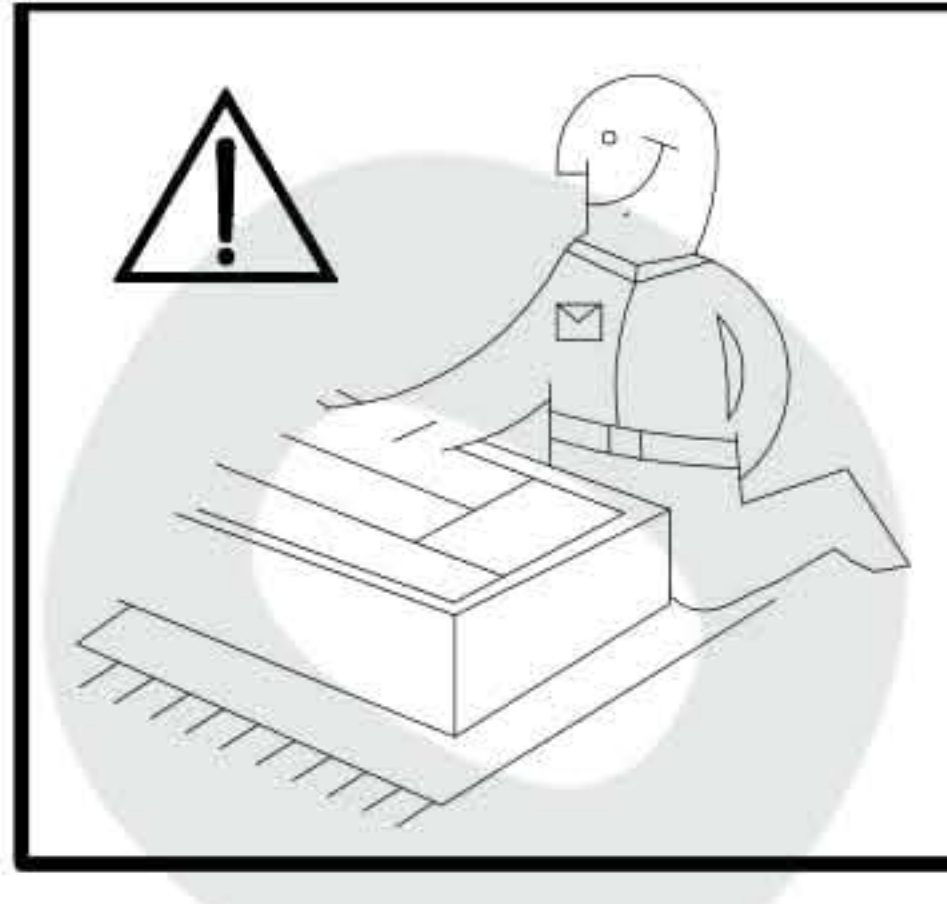
9



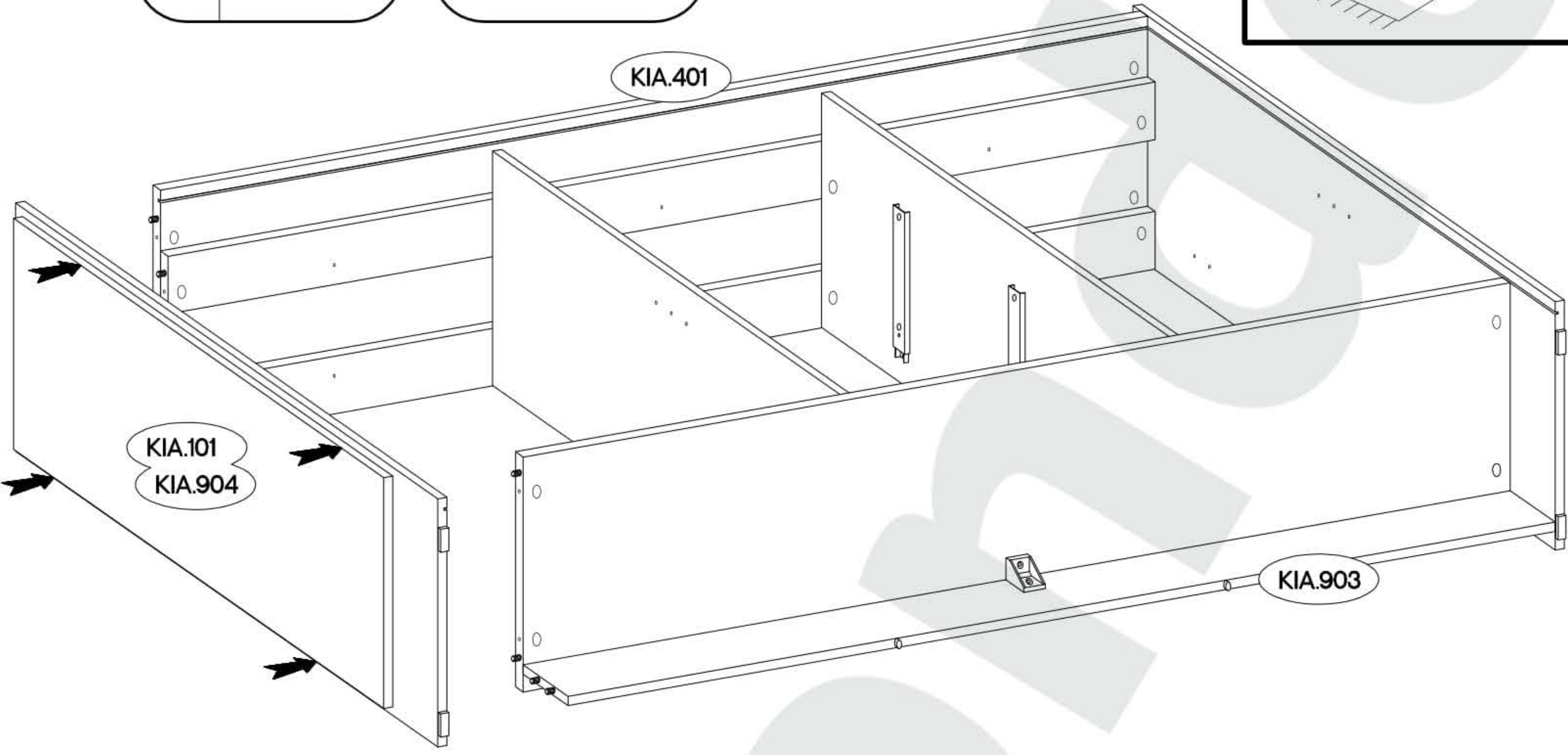
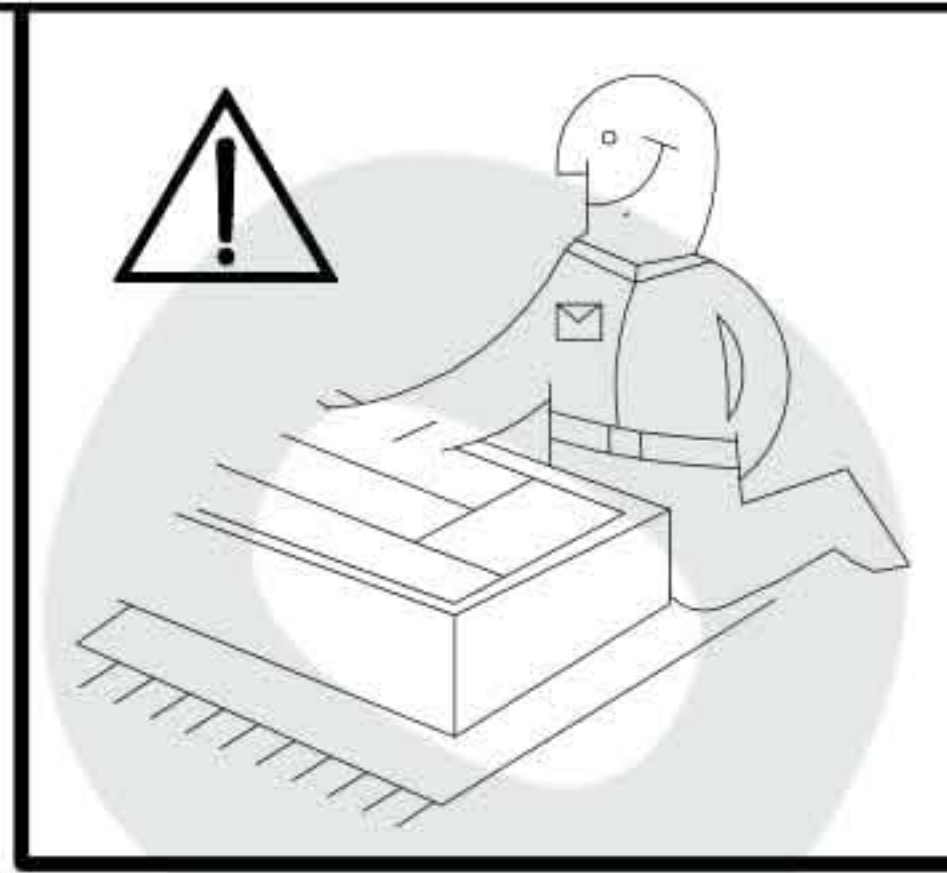
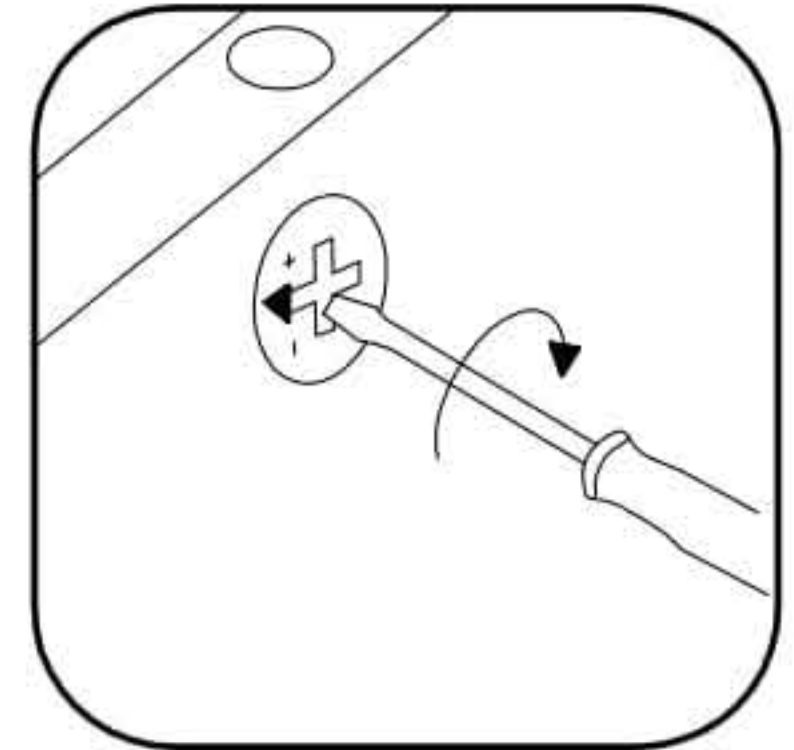
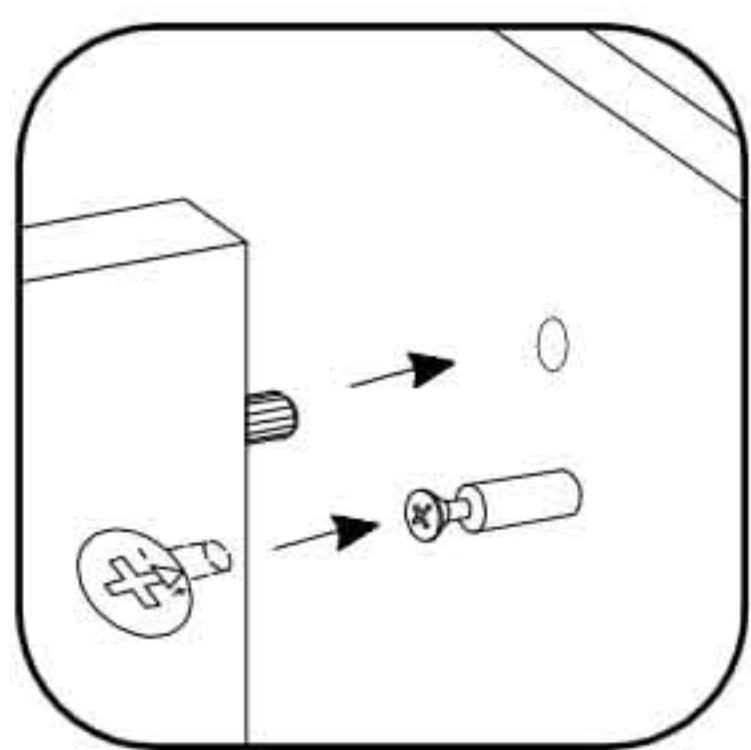


6,4 x 50mm	
	
B	O
4	1





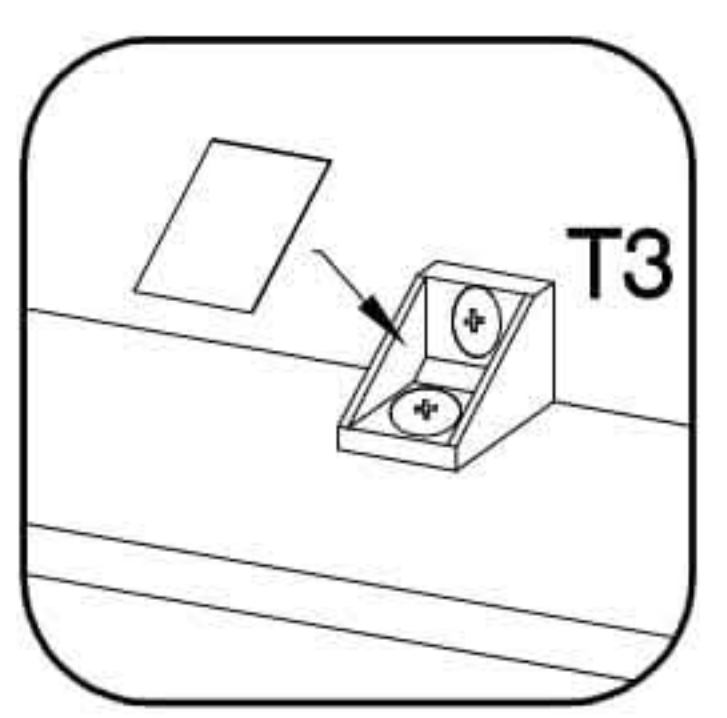
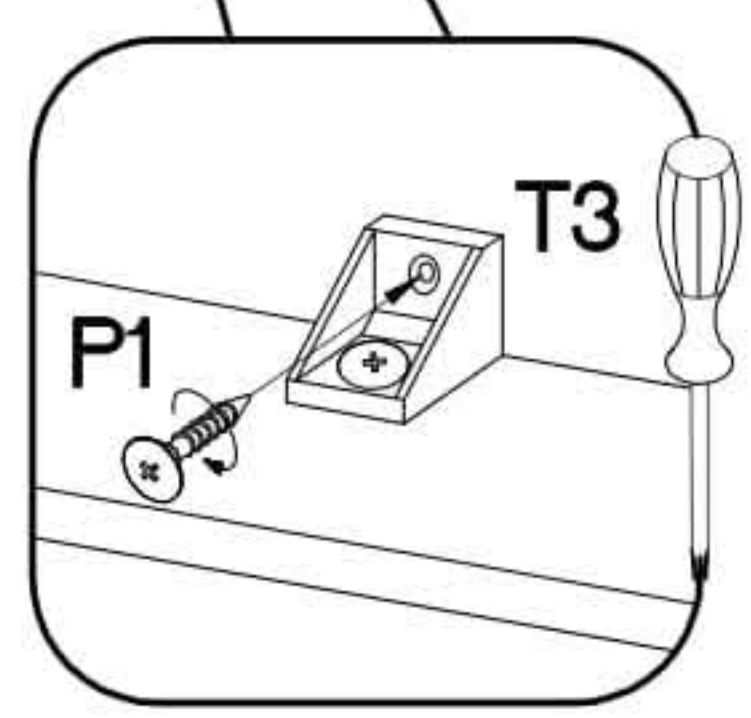
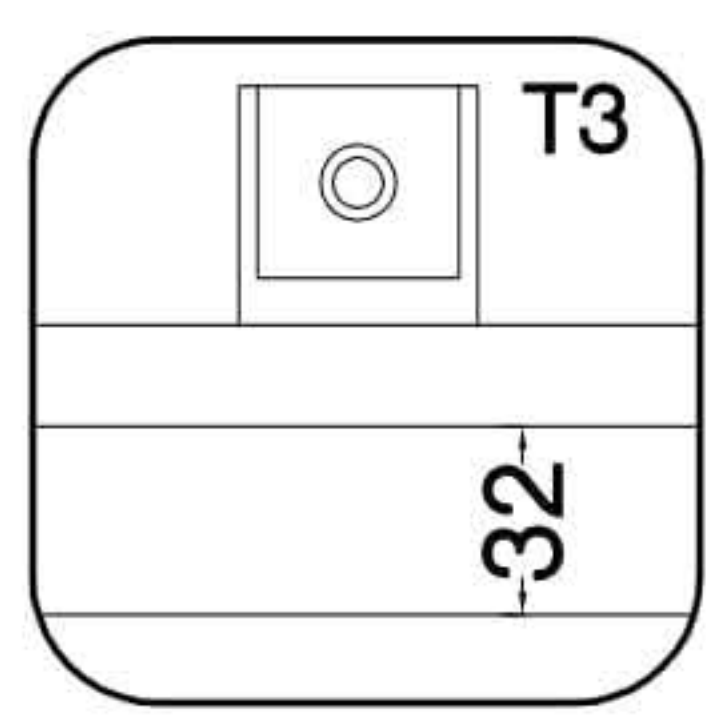
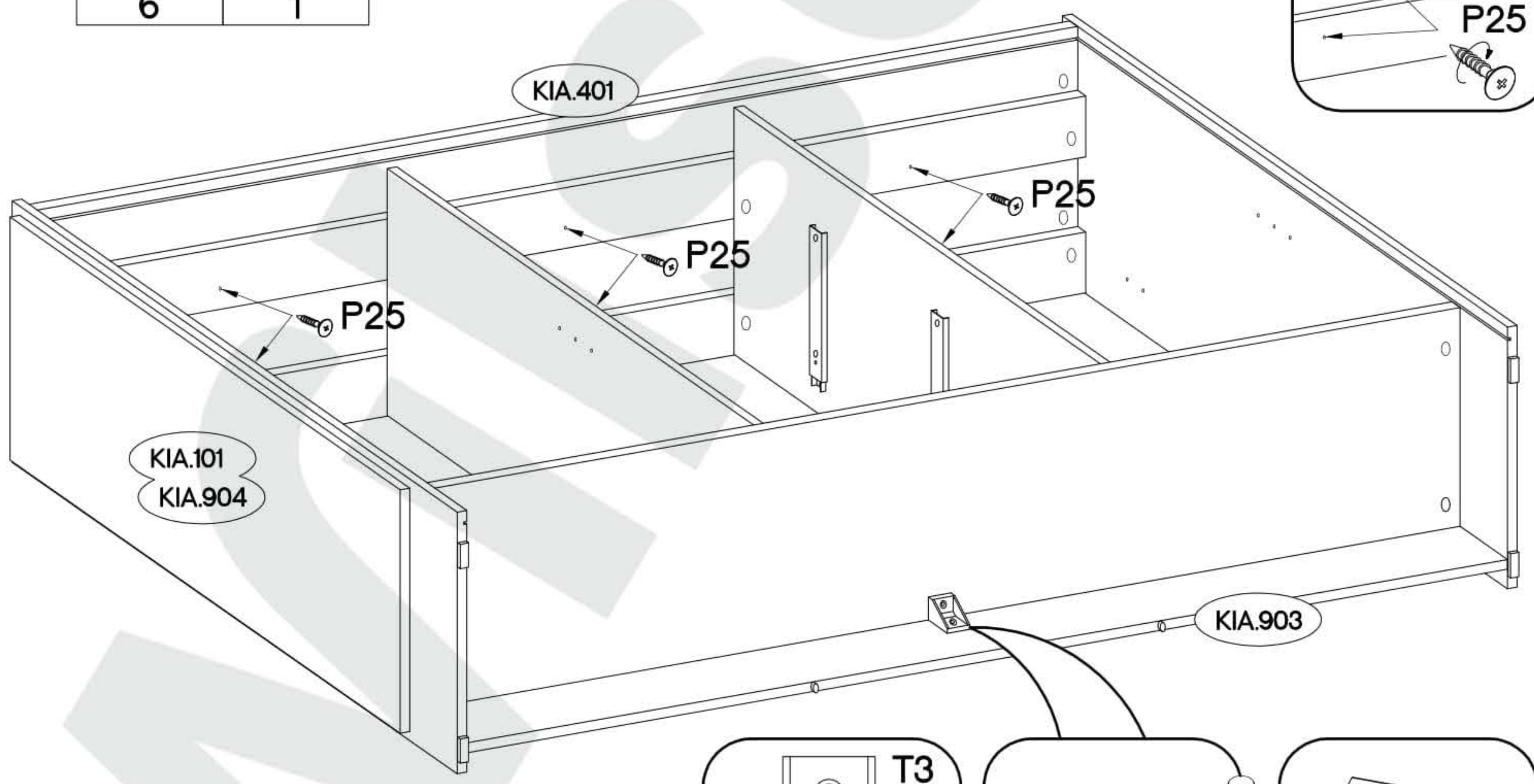
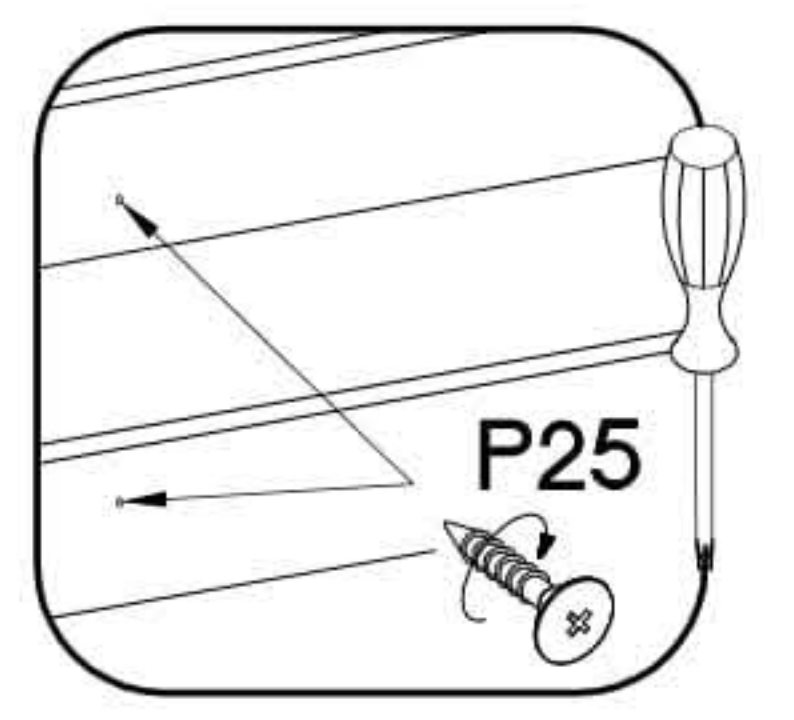




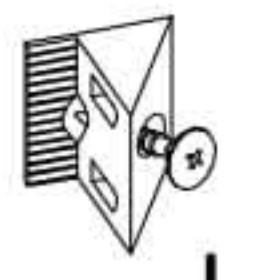
14

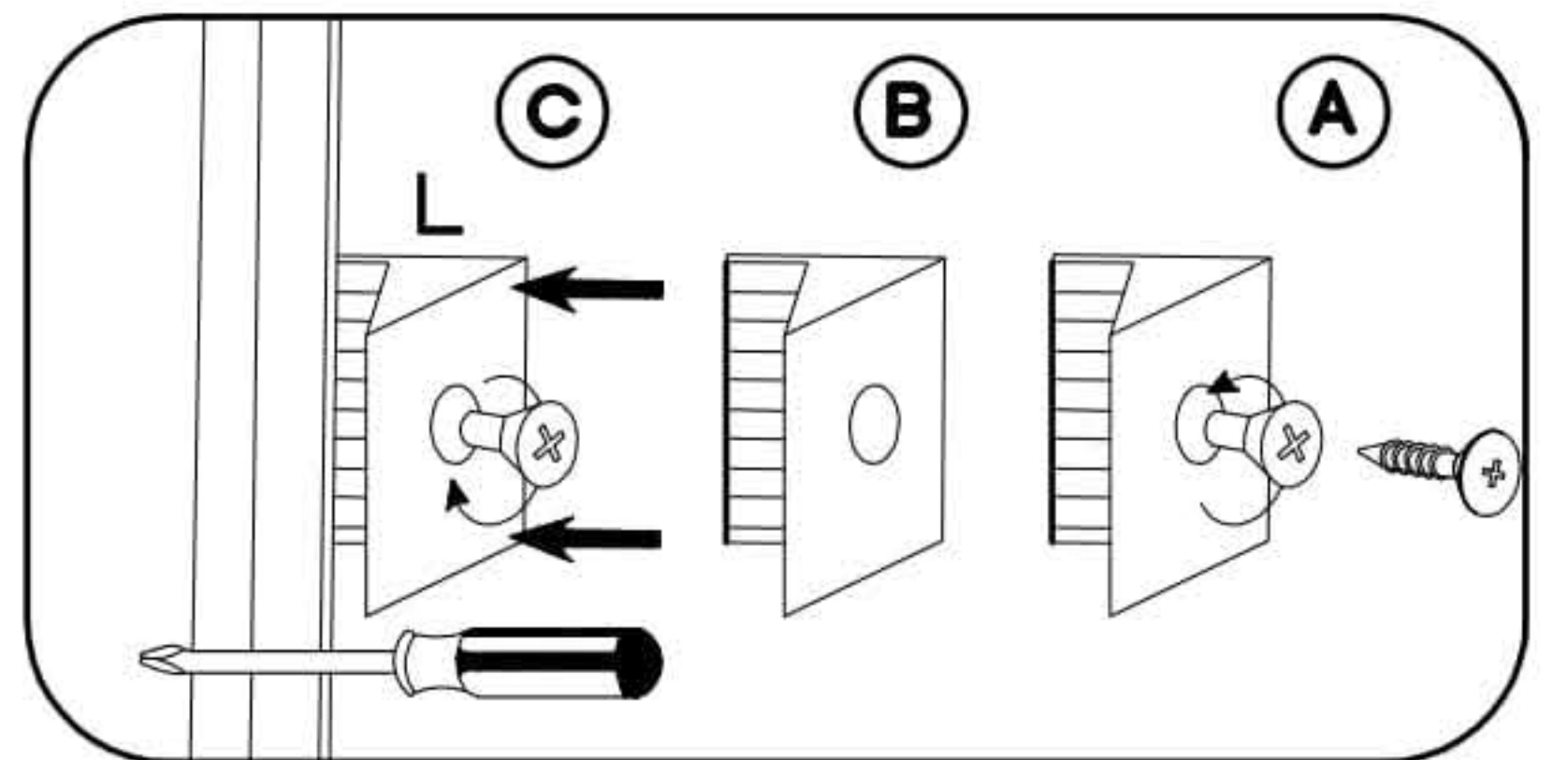
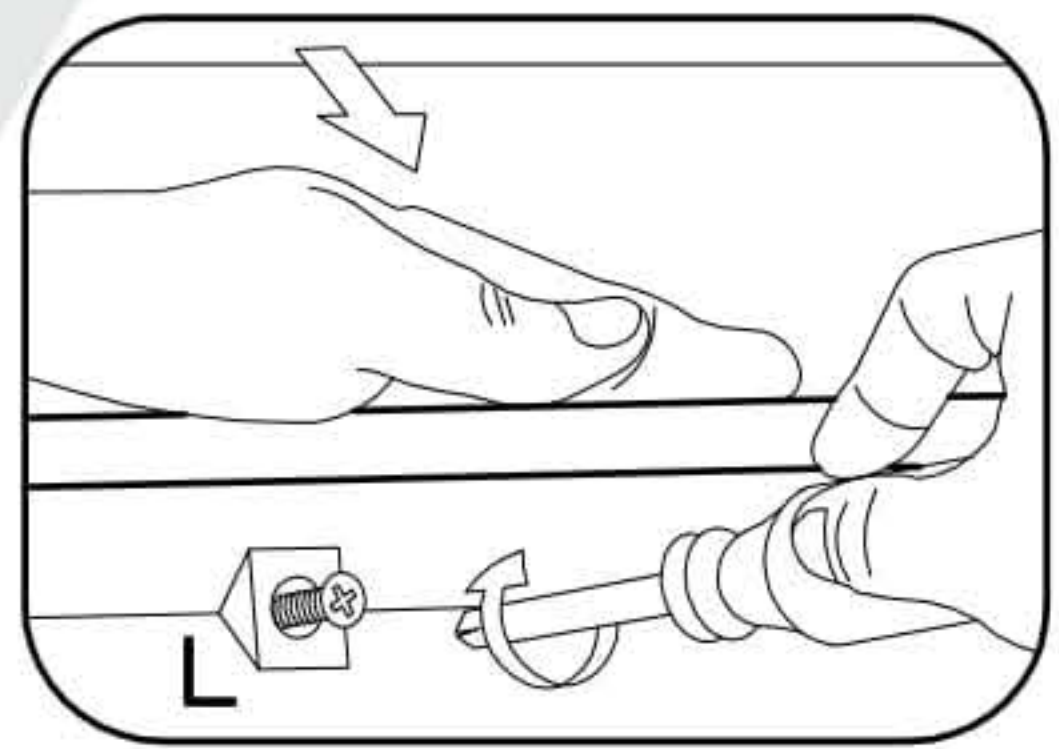
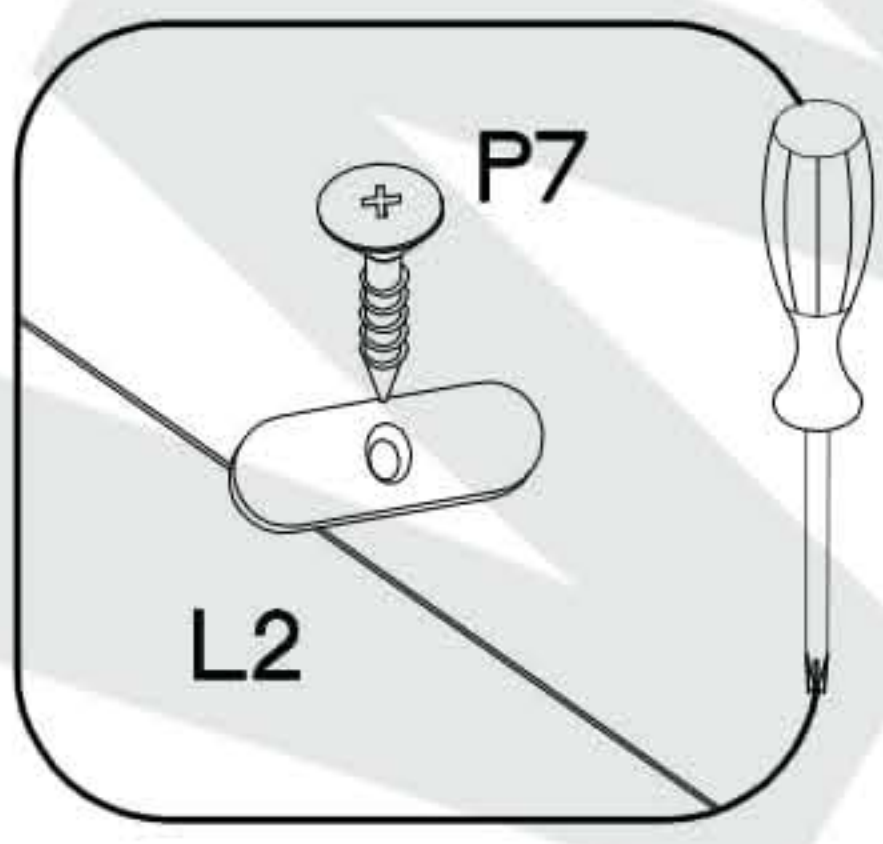
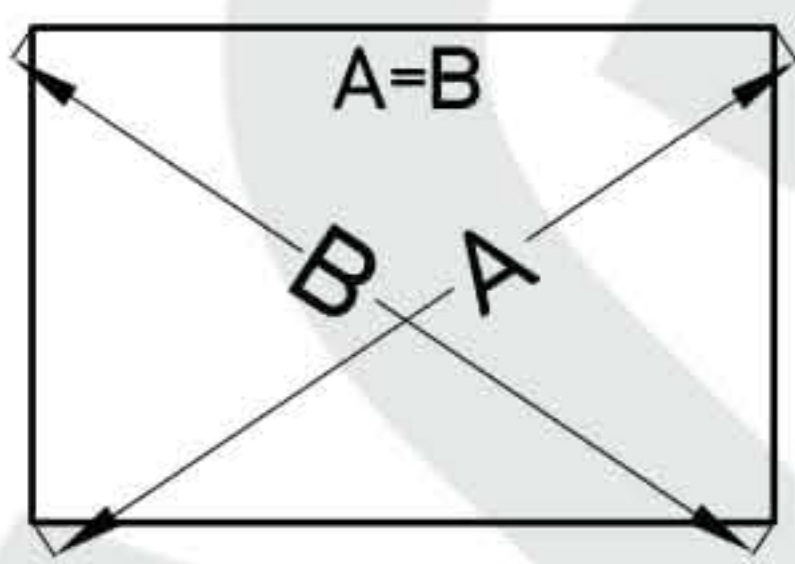
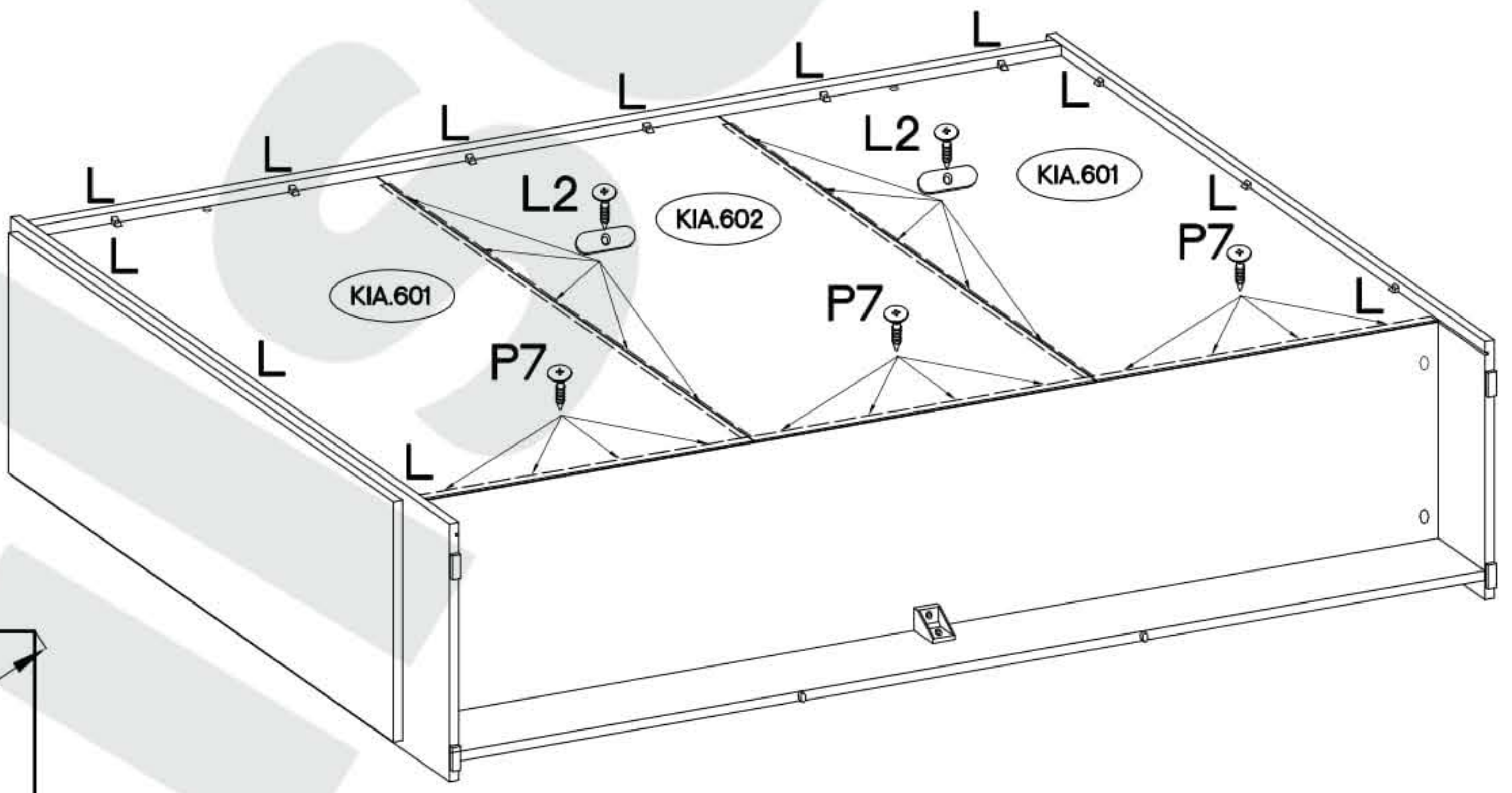
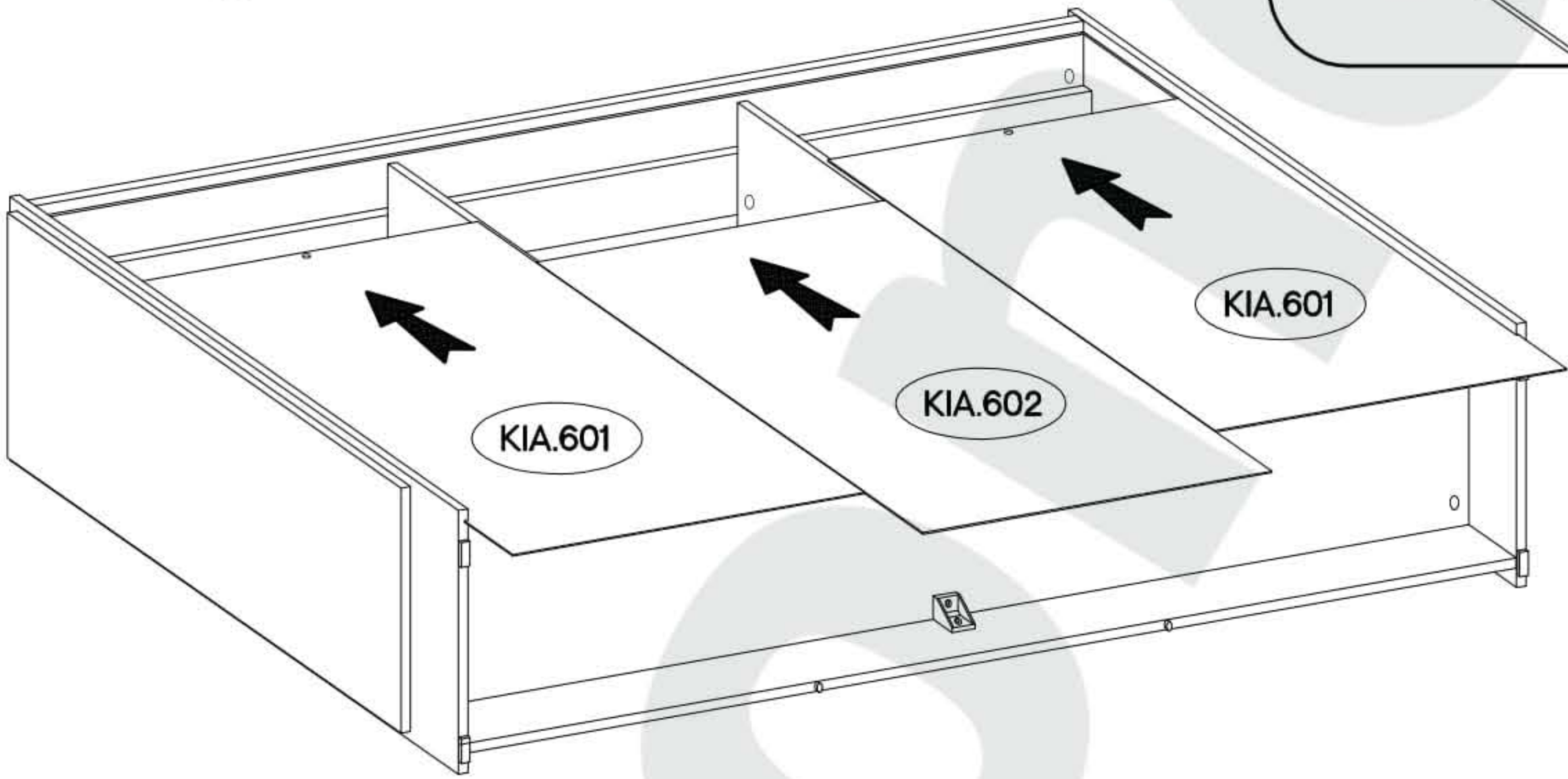
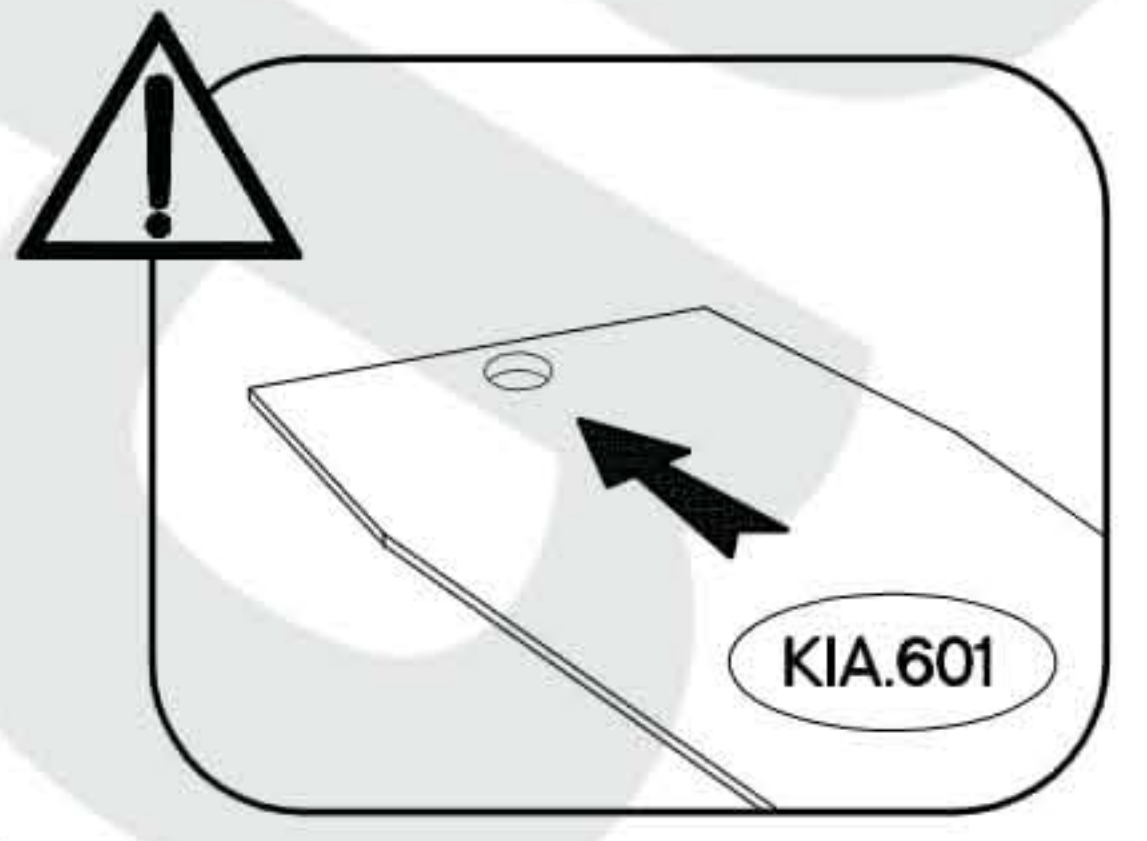
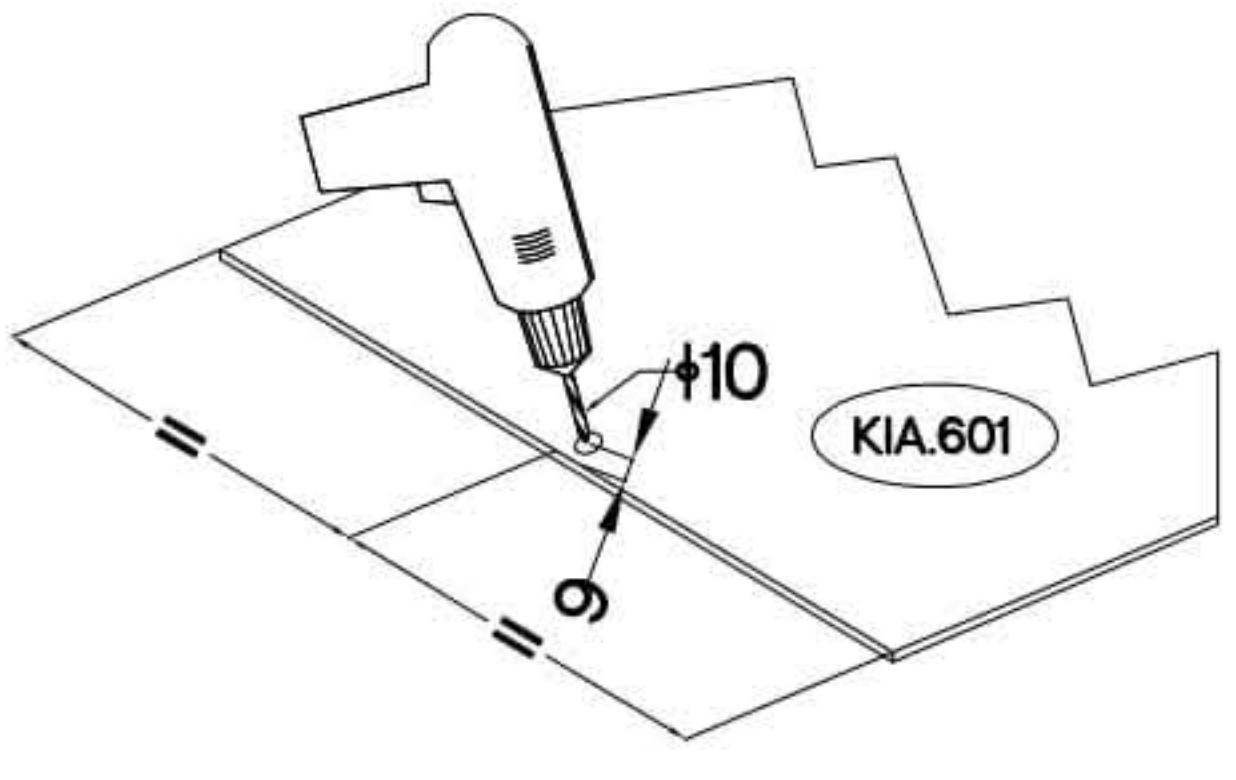
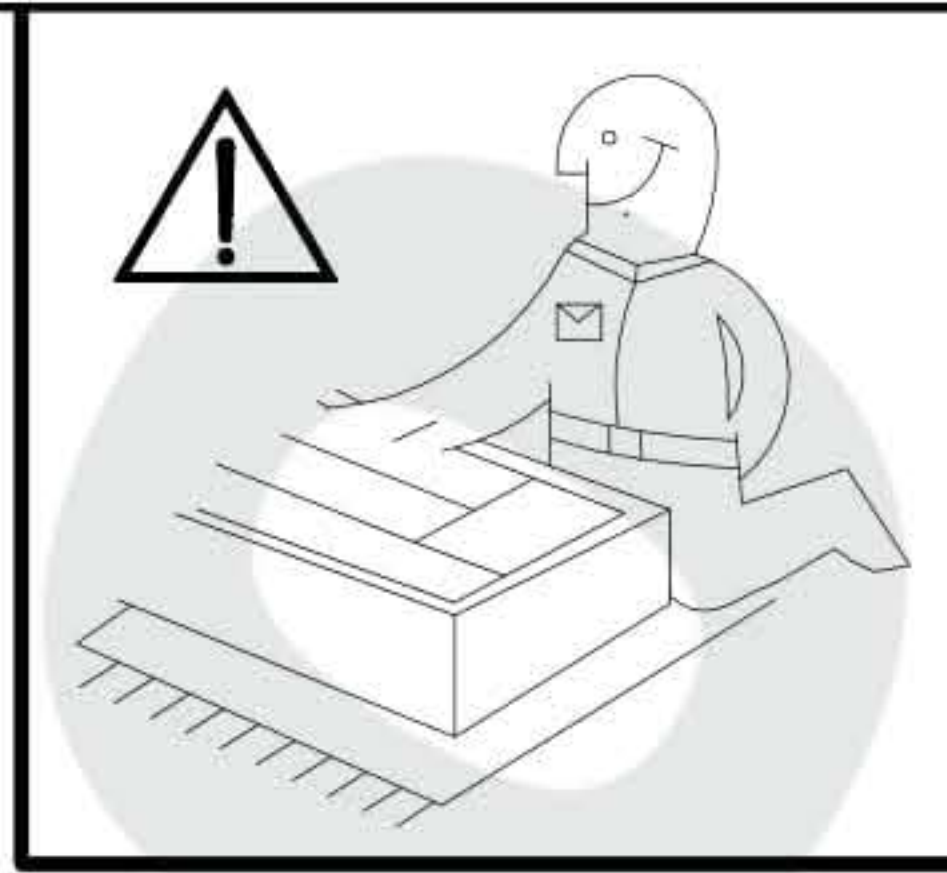


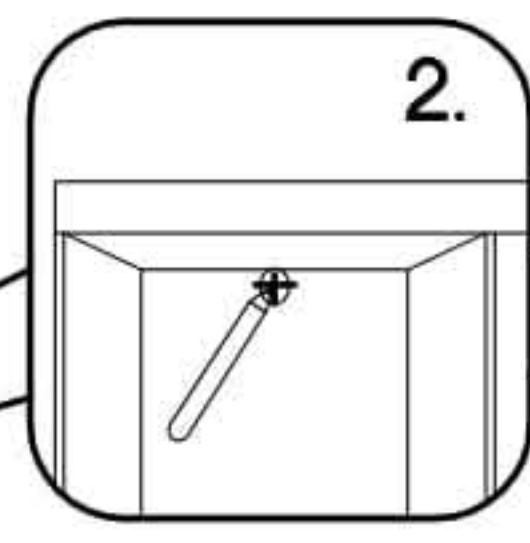
15

Ø3.5x25mm BLACK  P25 6	Ø4.0x16mm  P1 1
--	--

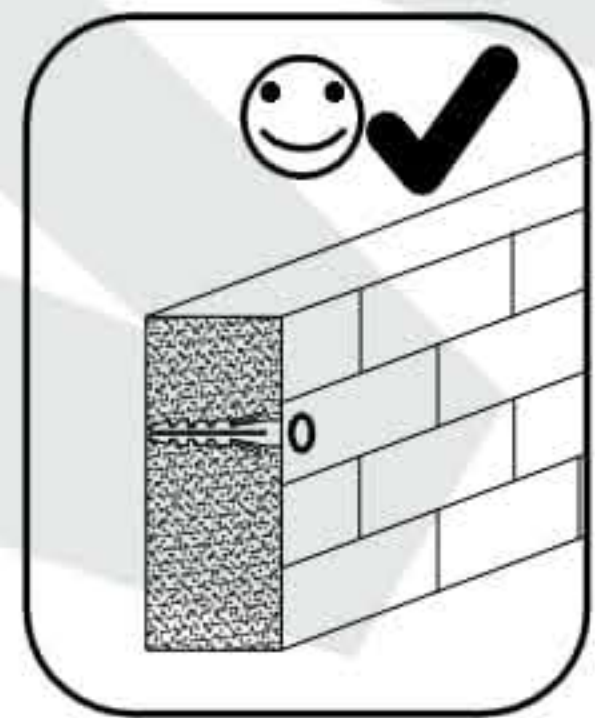
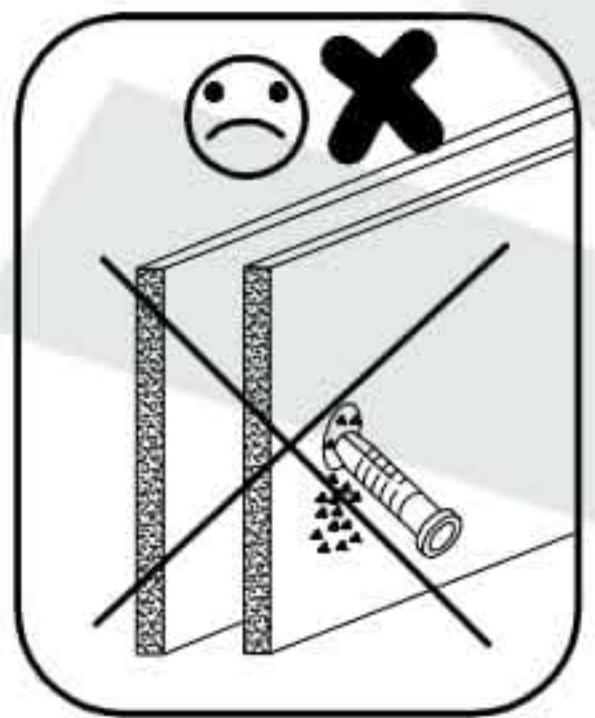
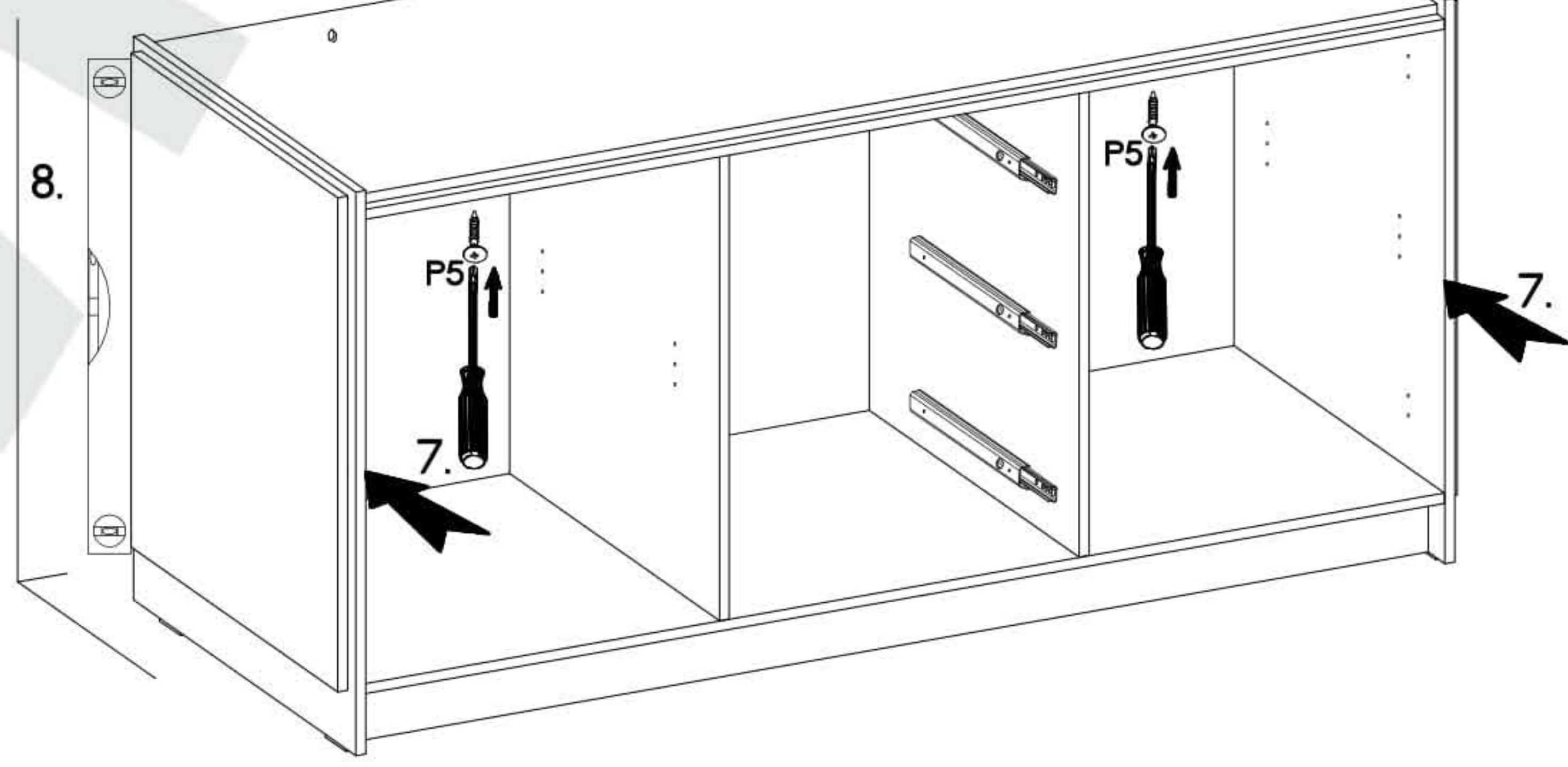
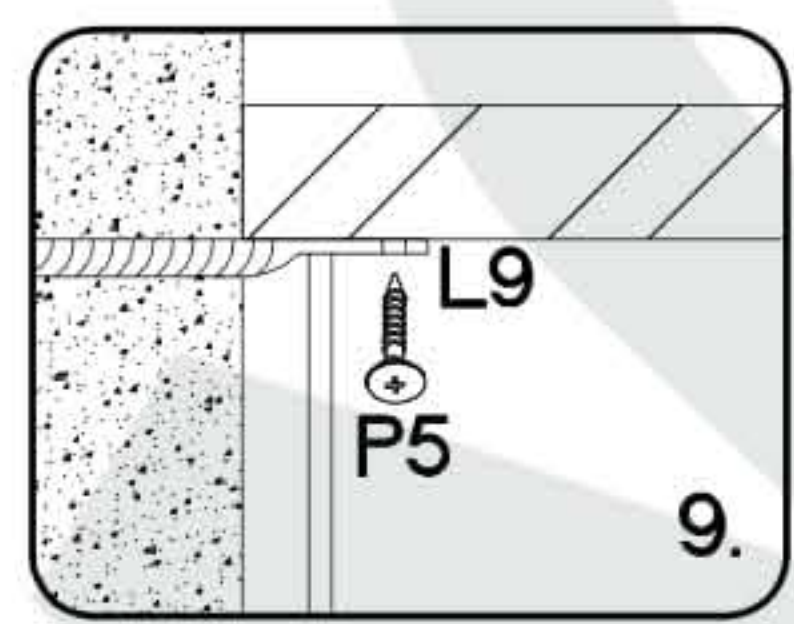
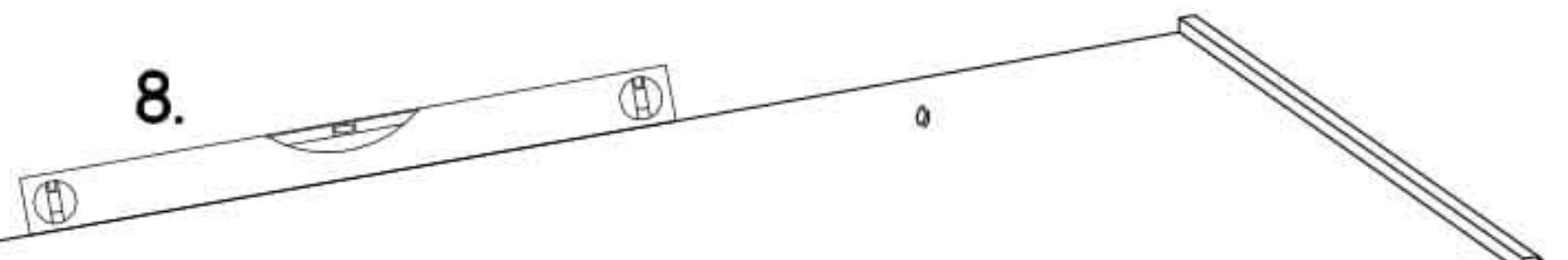
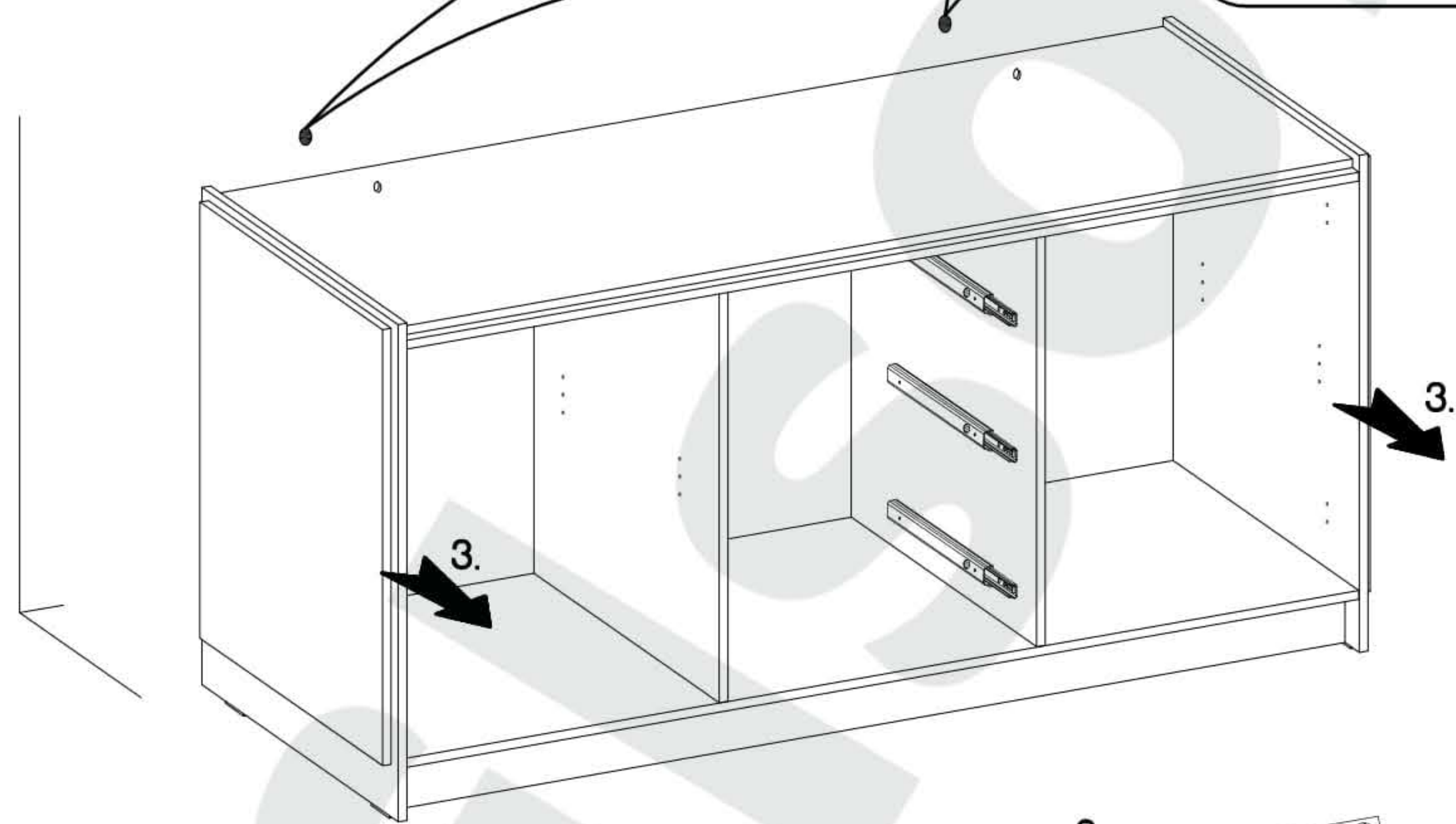
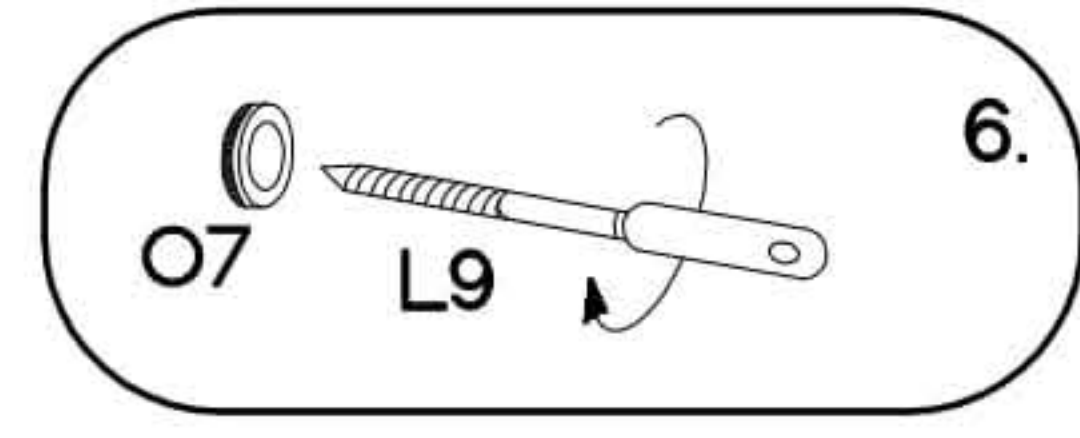
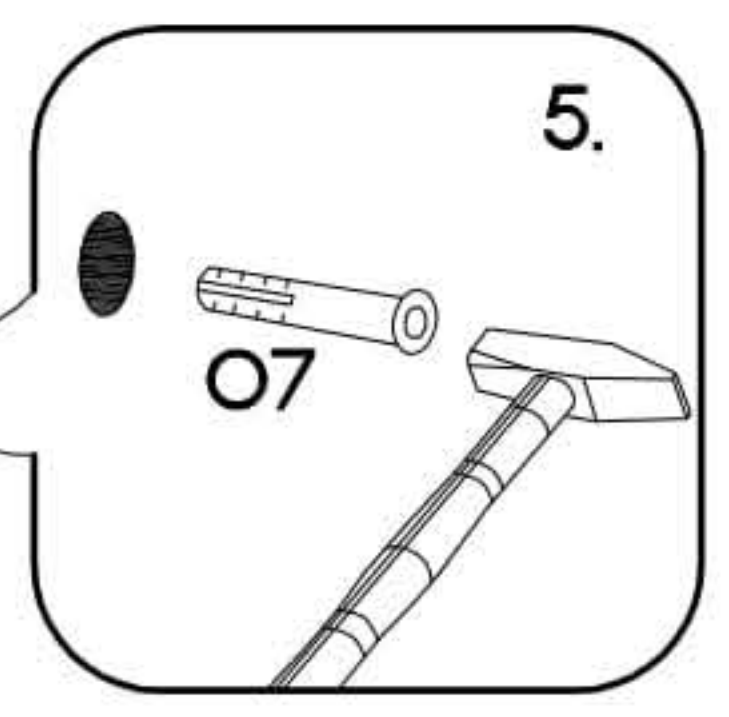
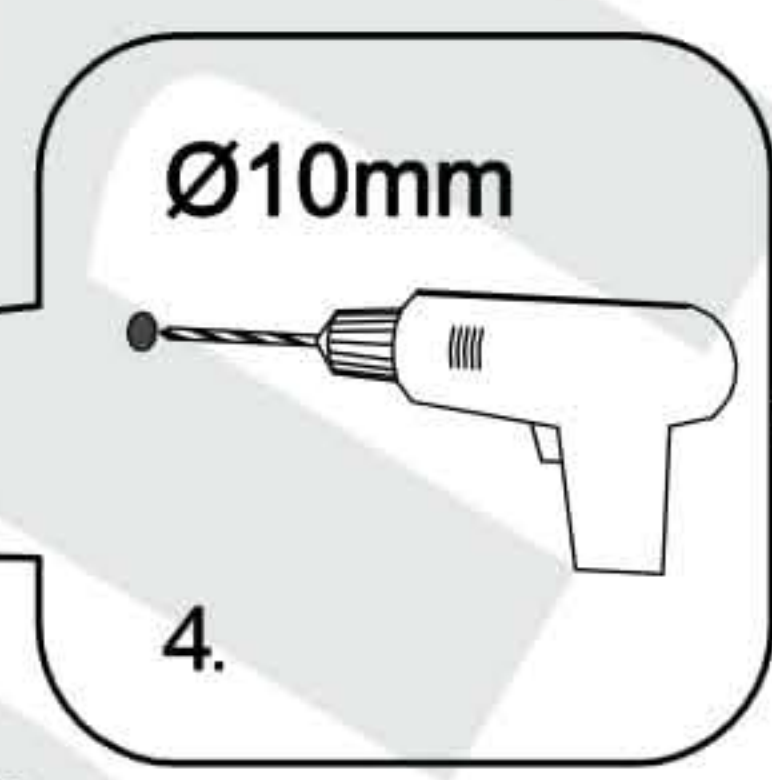
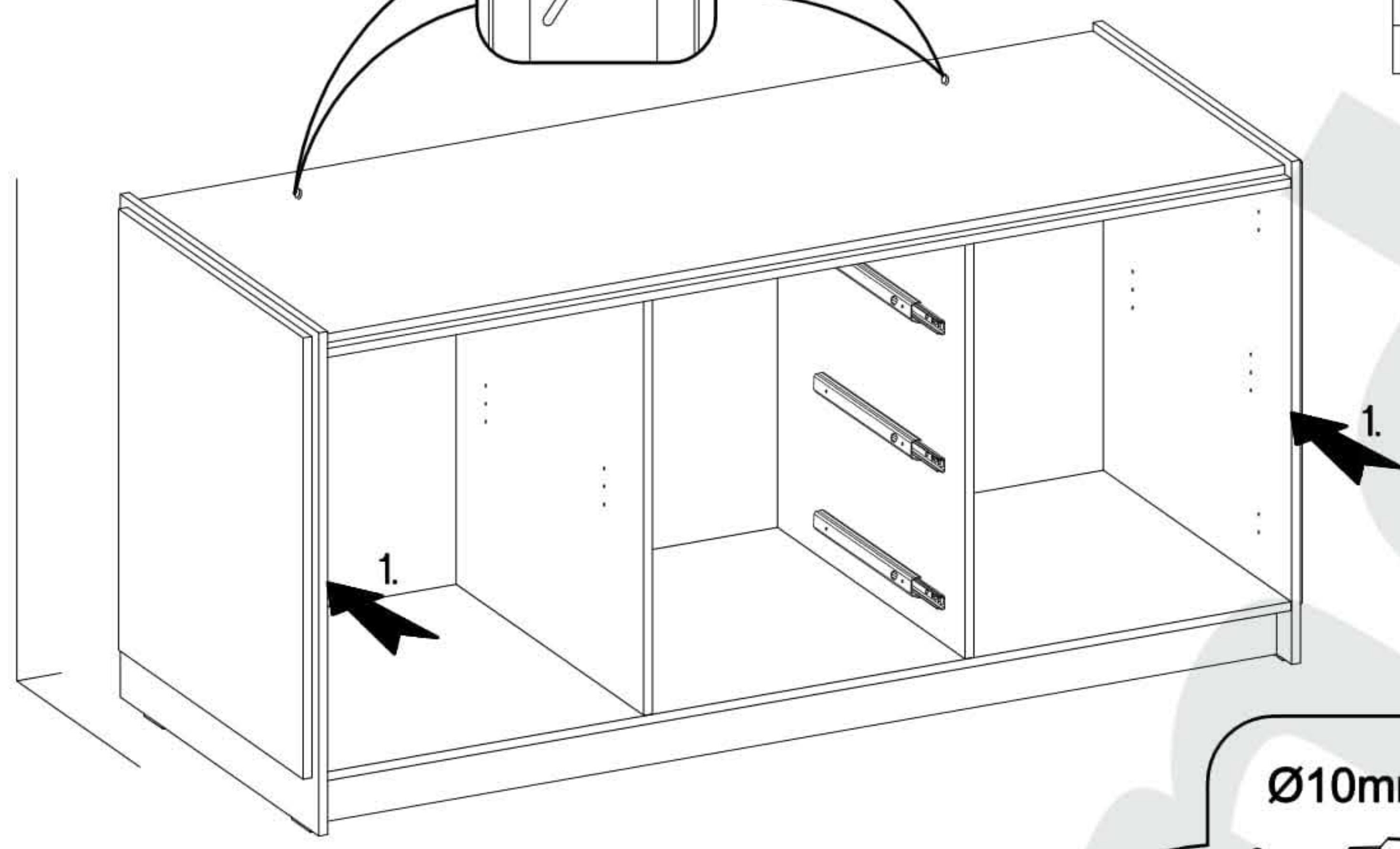


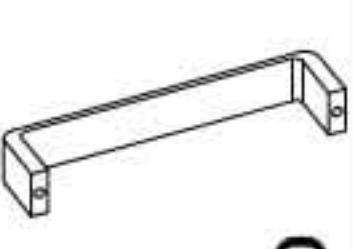


±3.0x20mm  P7 22	 L2 10	 L 12
---	--	---

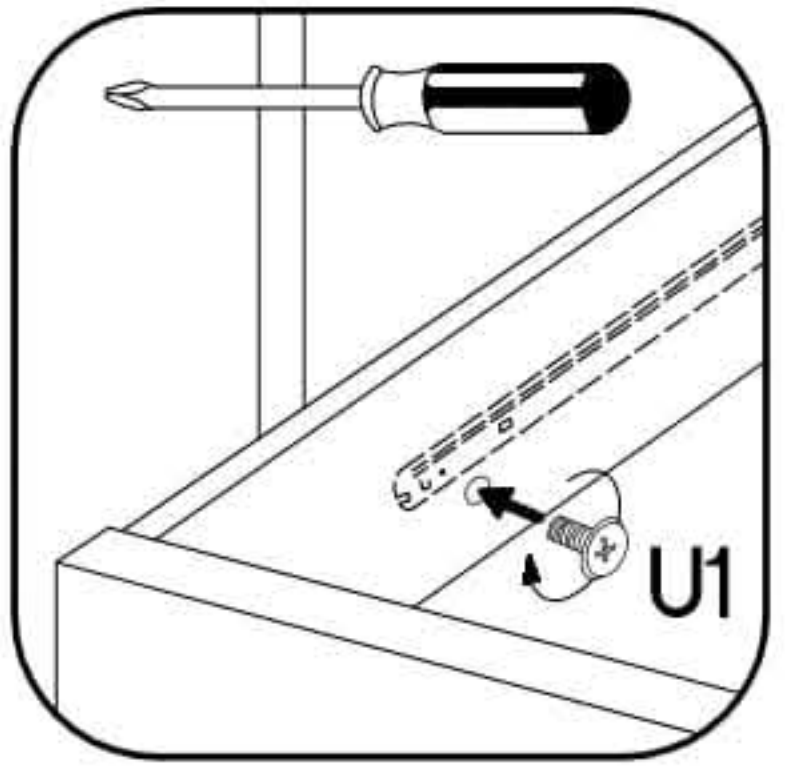
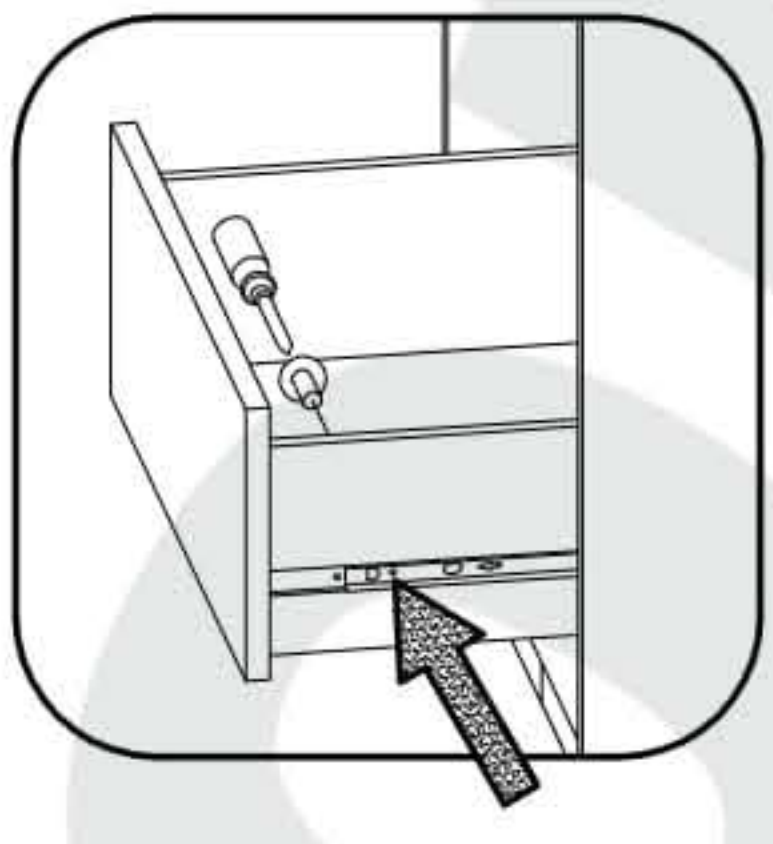
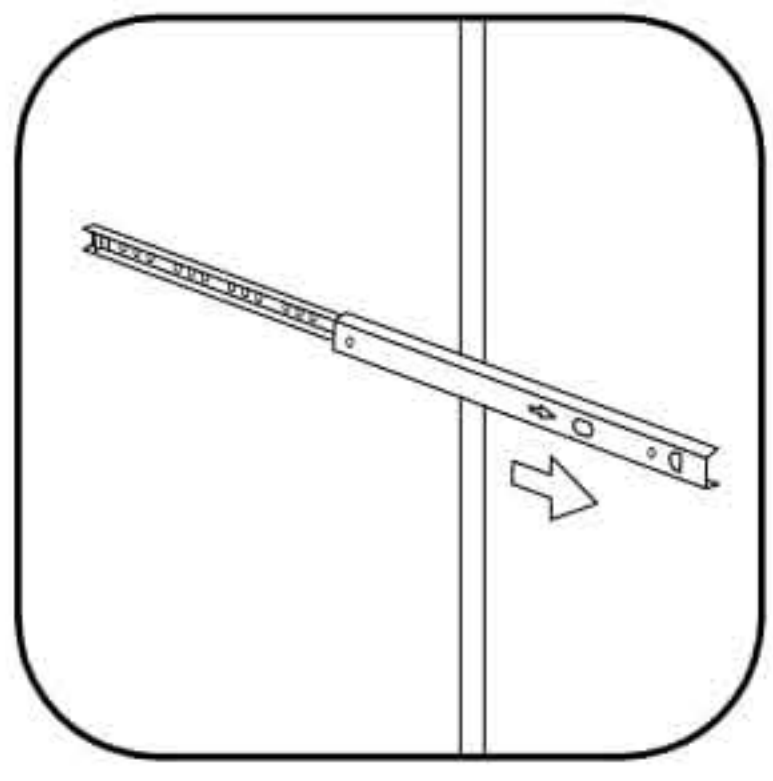
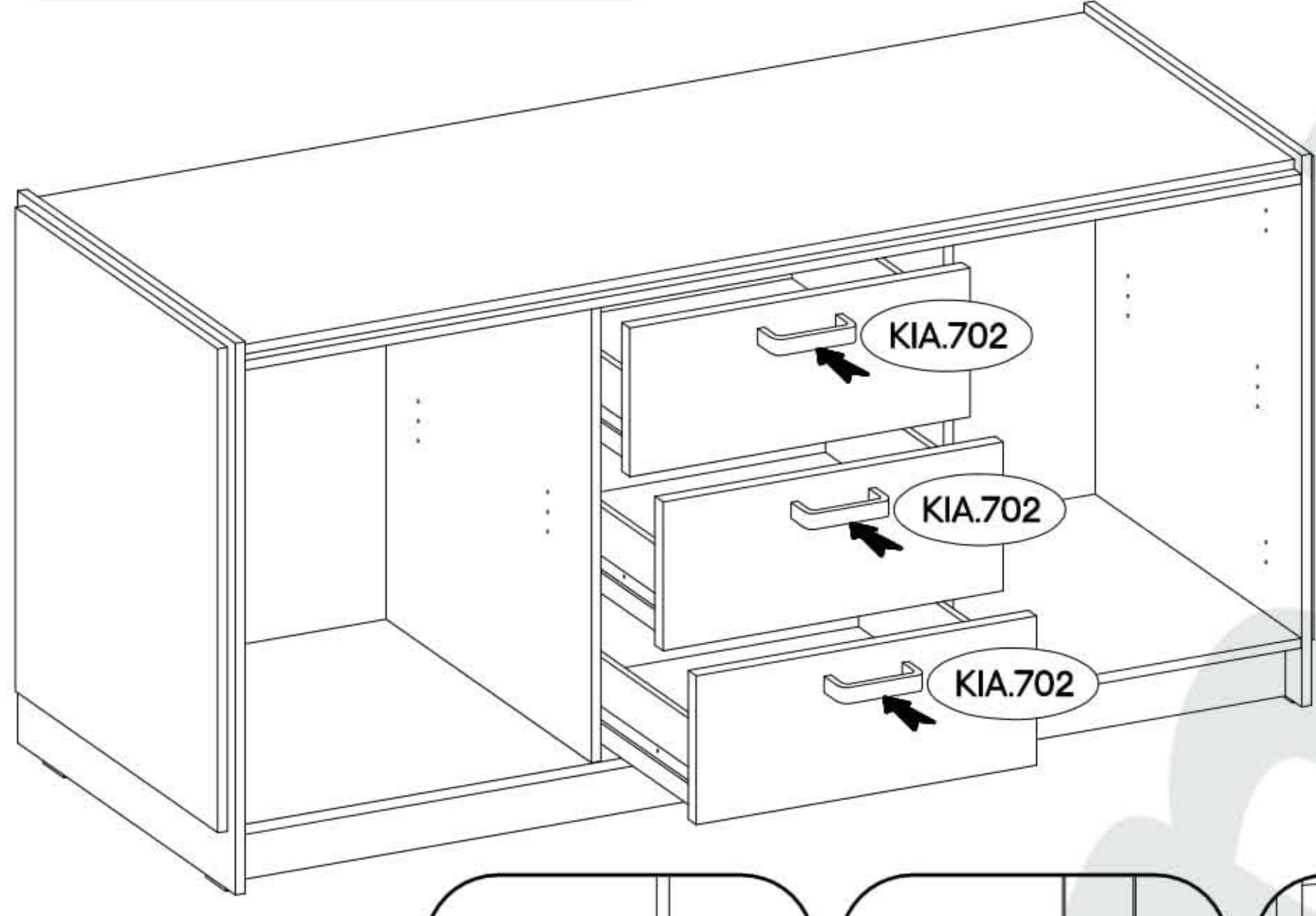
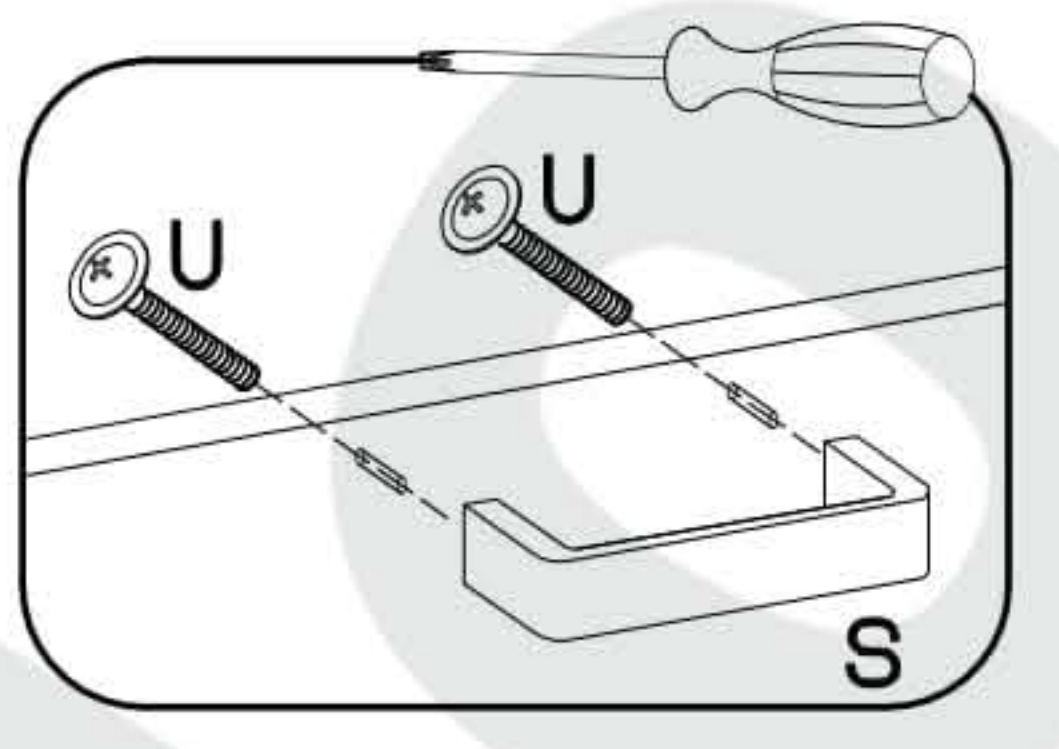






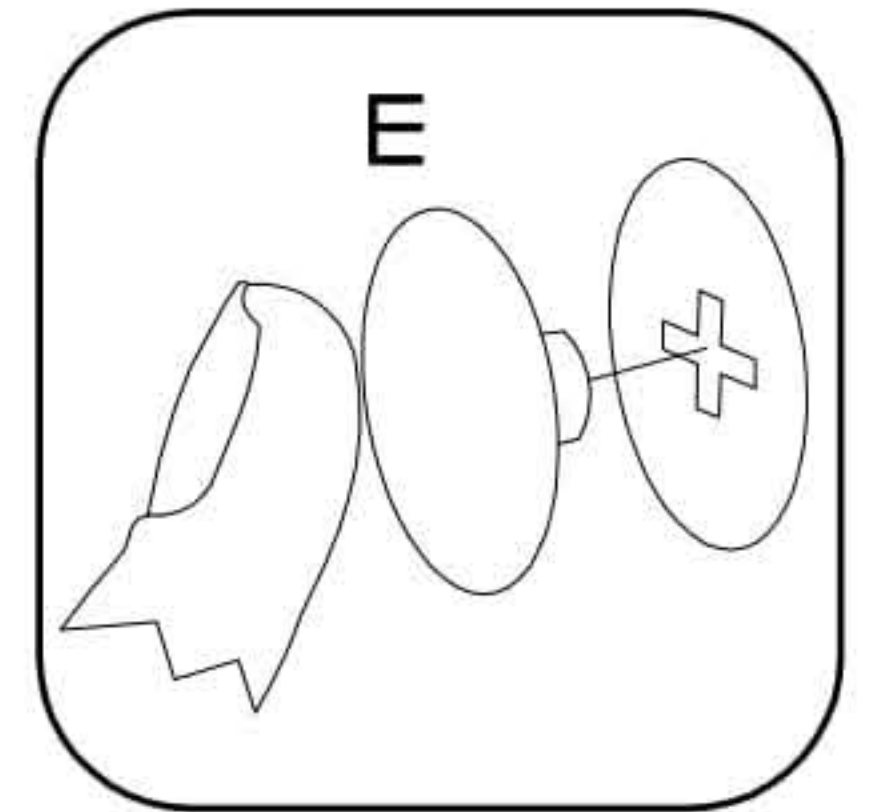
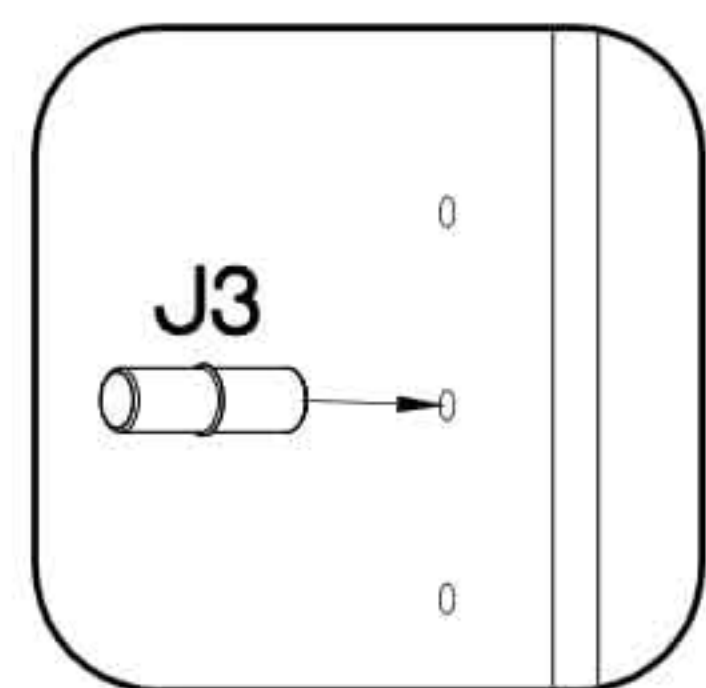
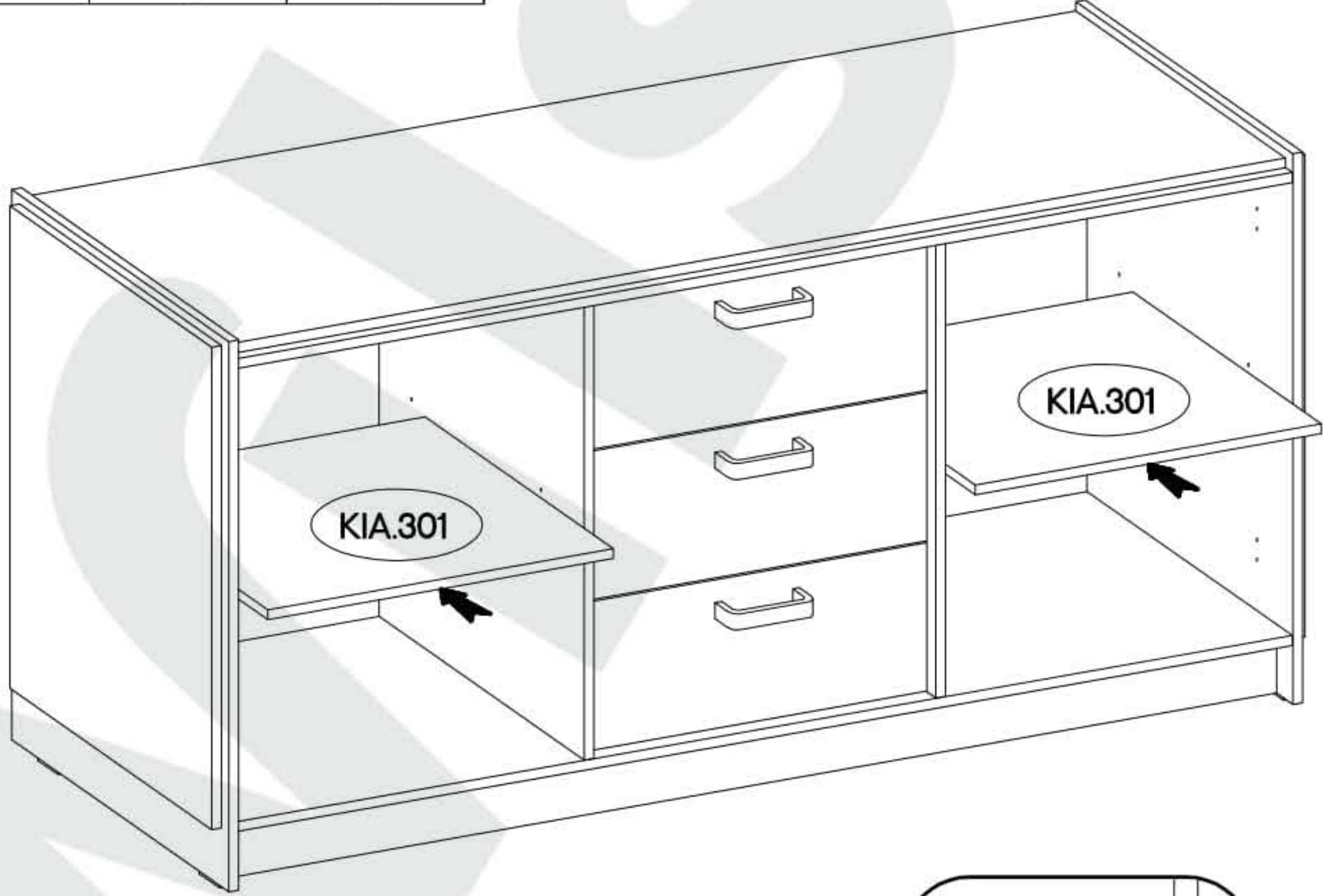
†10x50mm O7 2	 L9 2	†3.5x13mm P5 2
-------------------------	-------------	--------------------------





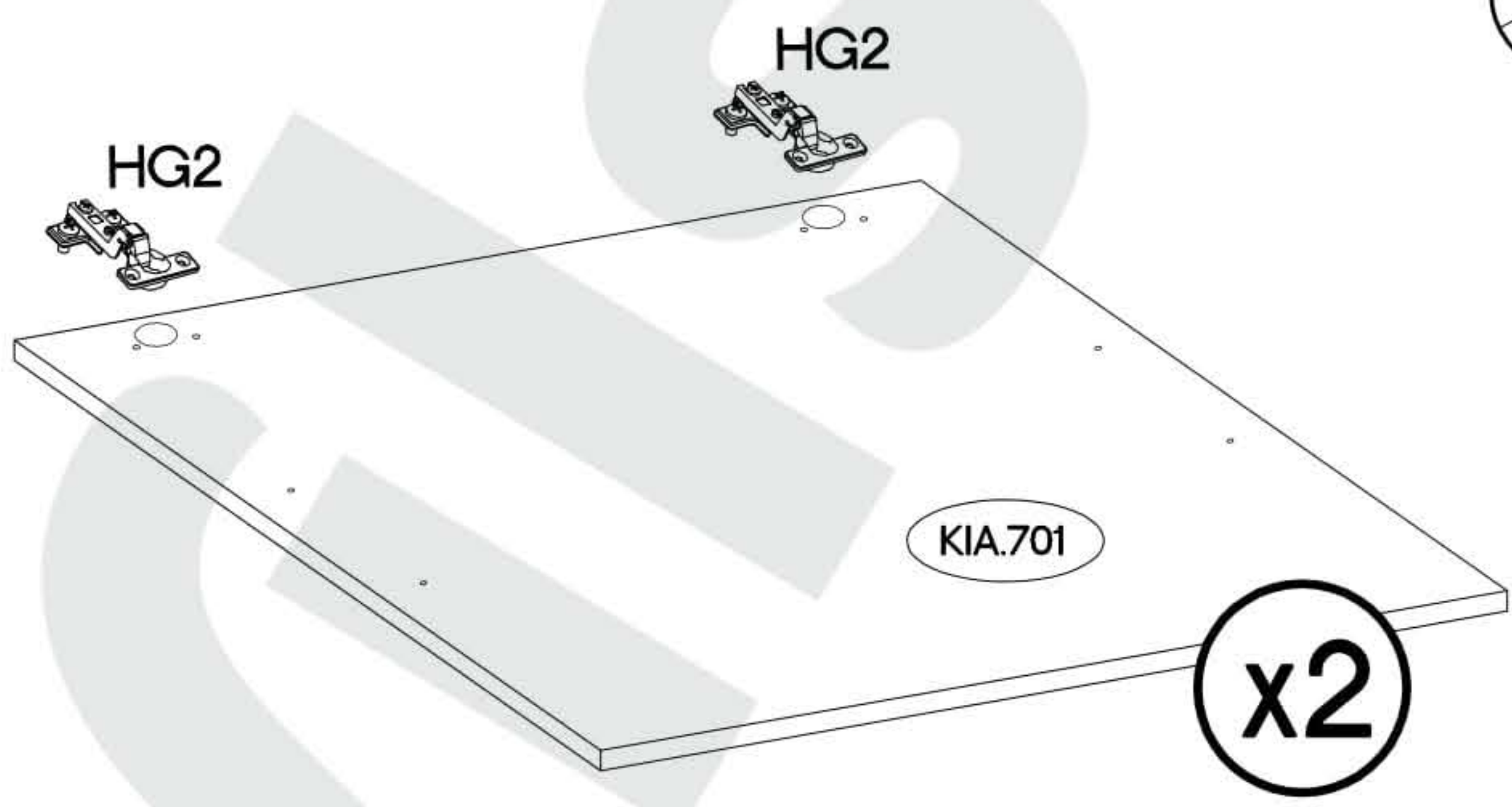
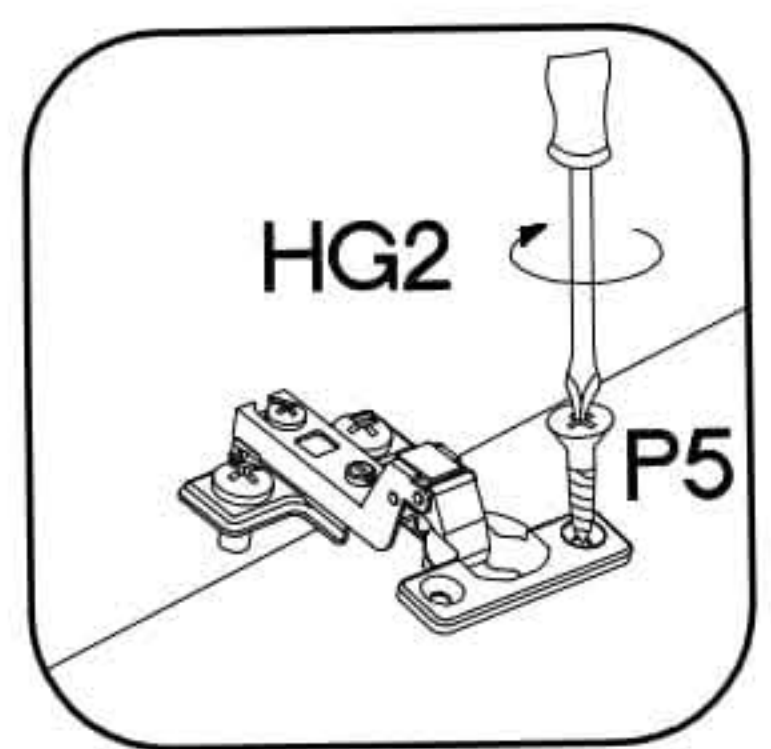
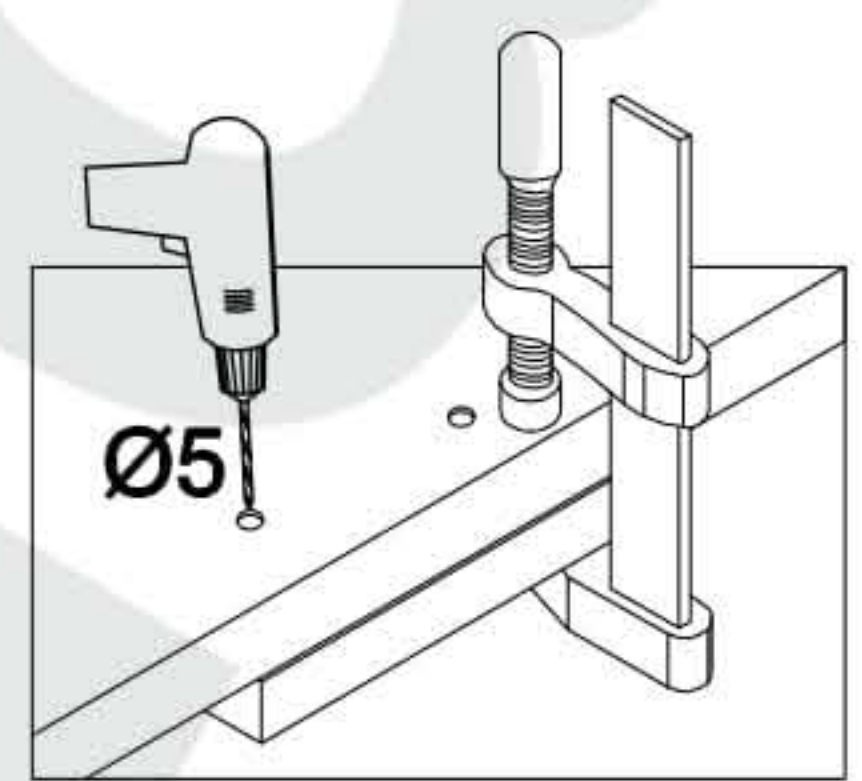
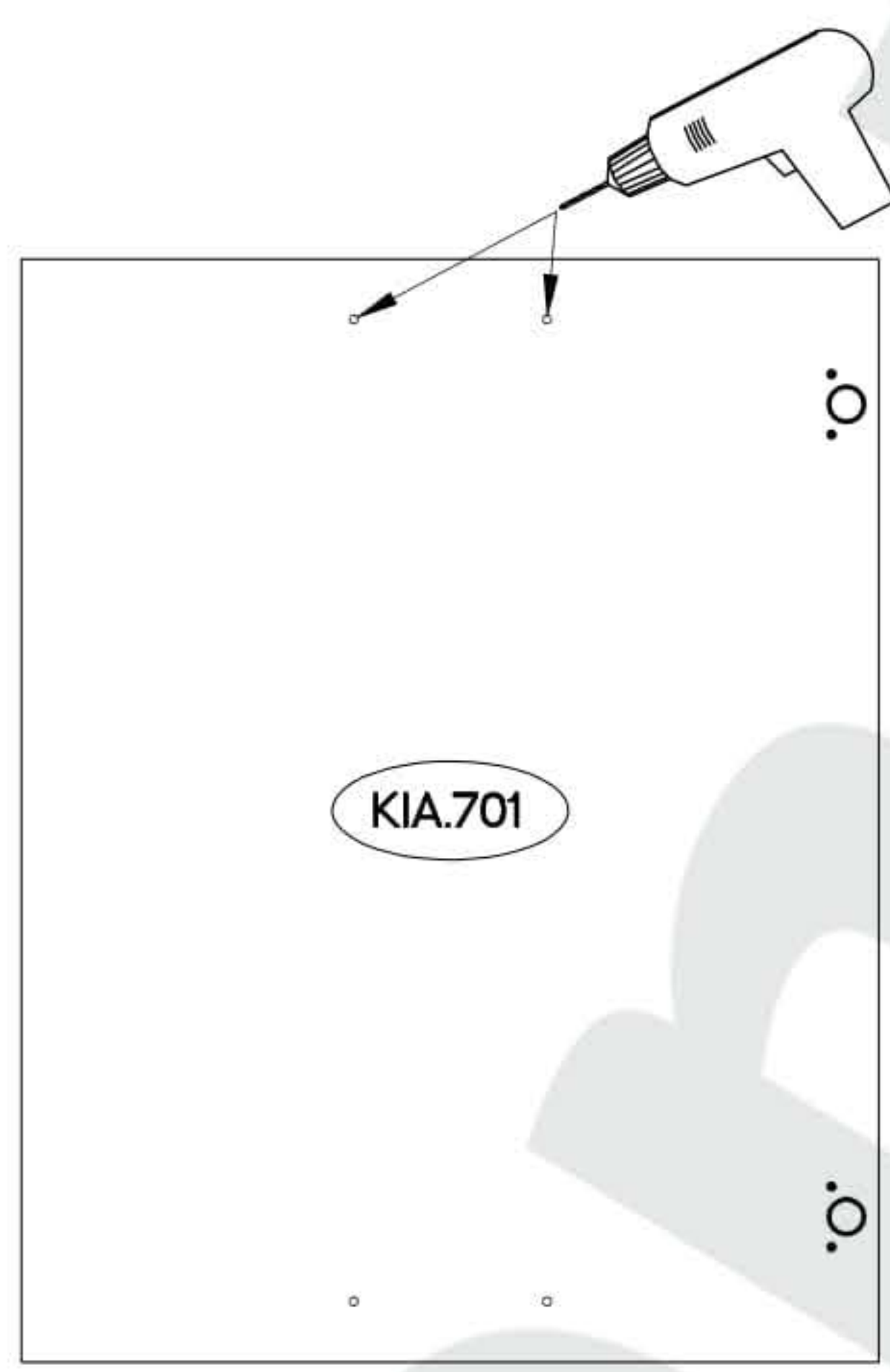
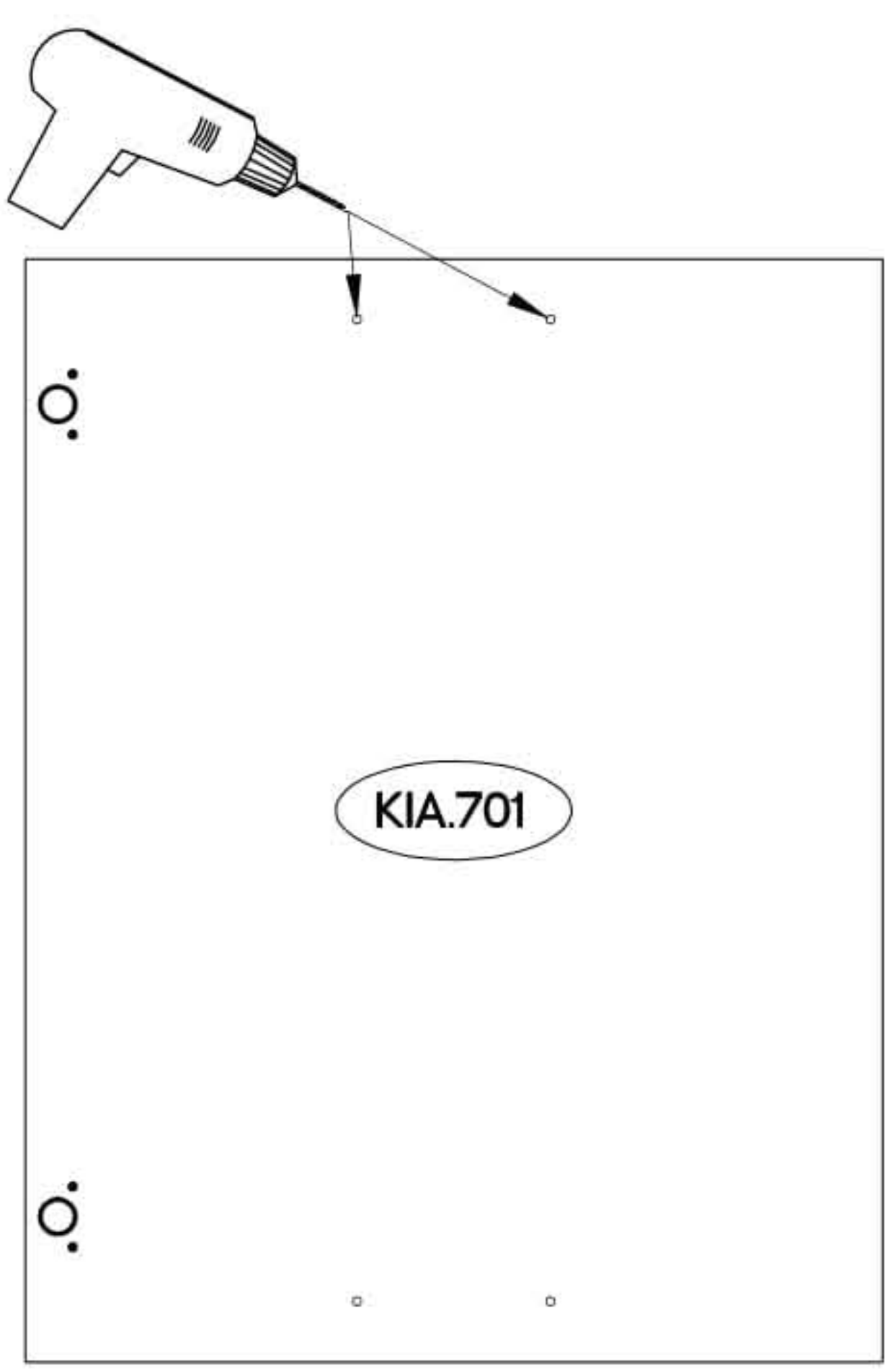
L=128mm	M4x22mm	M4x9mm
		
S	U	U1
3	6	6

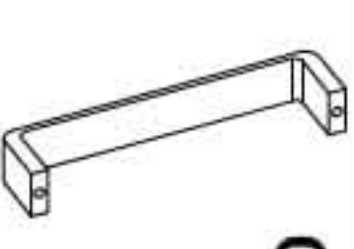



±5/16mm		
J3	cza. E	art. E
8	6	6



 HG2 4	 P5 8
--	---



L=128mm	M4x22mm
	
S	U
2	4

