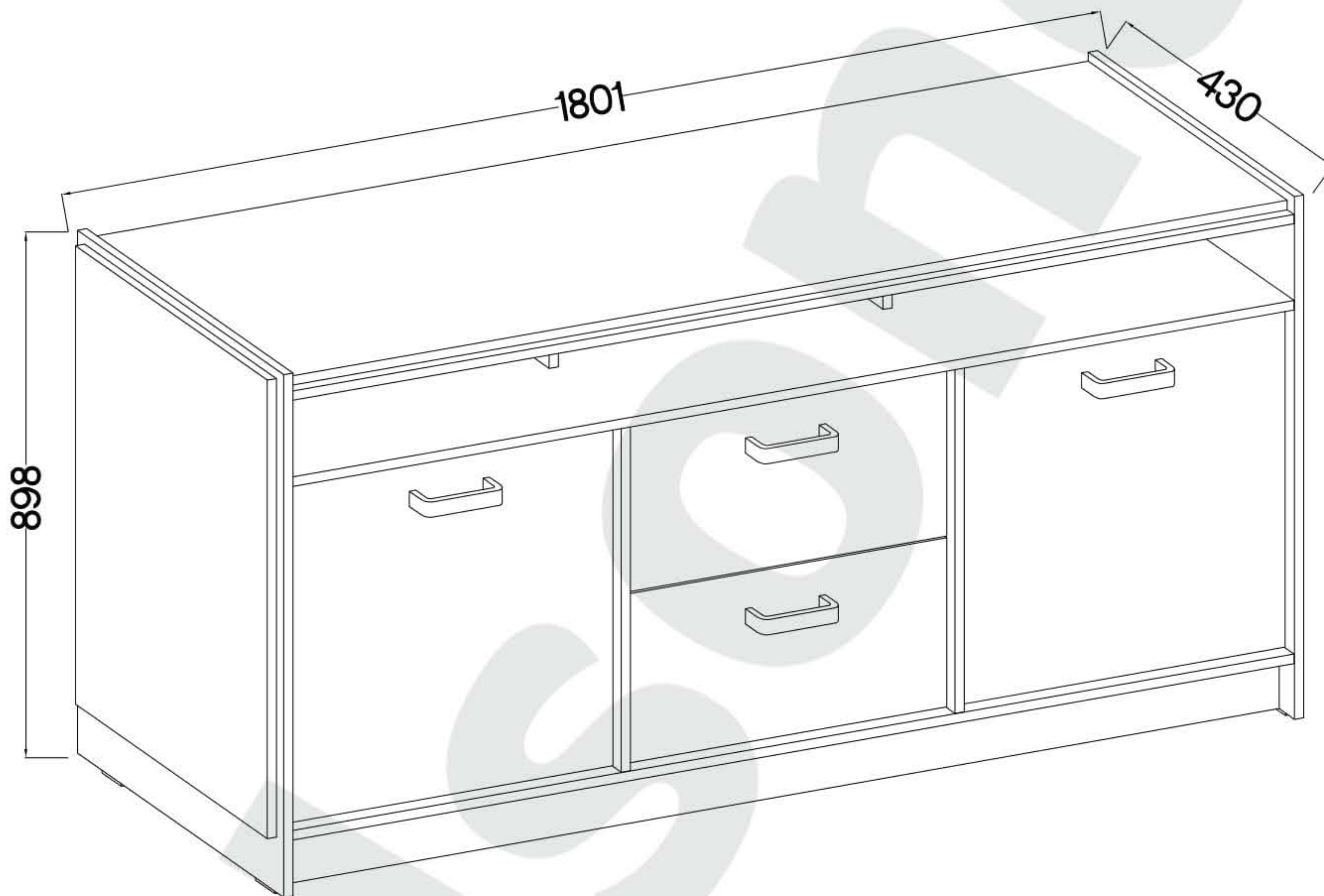


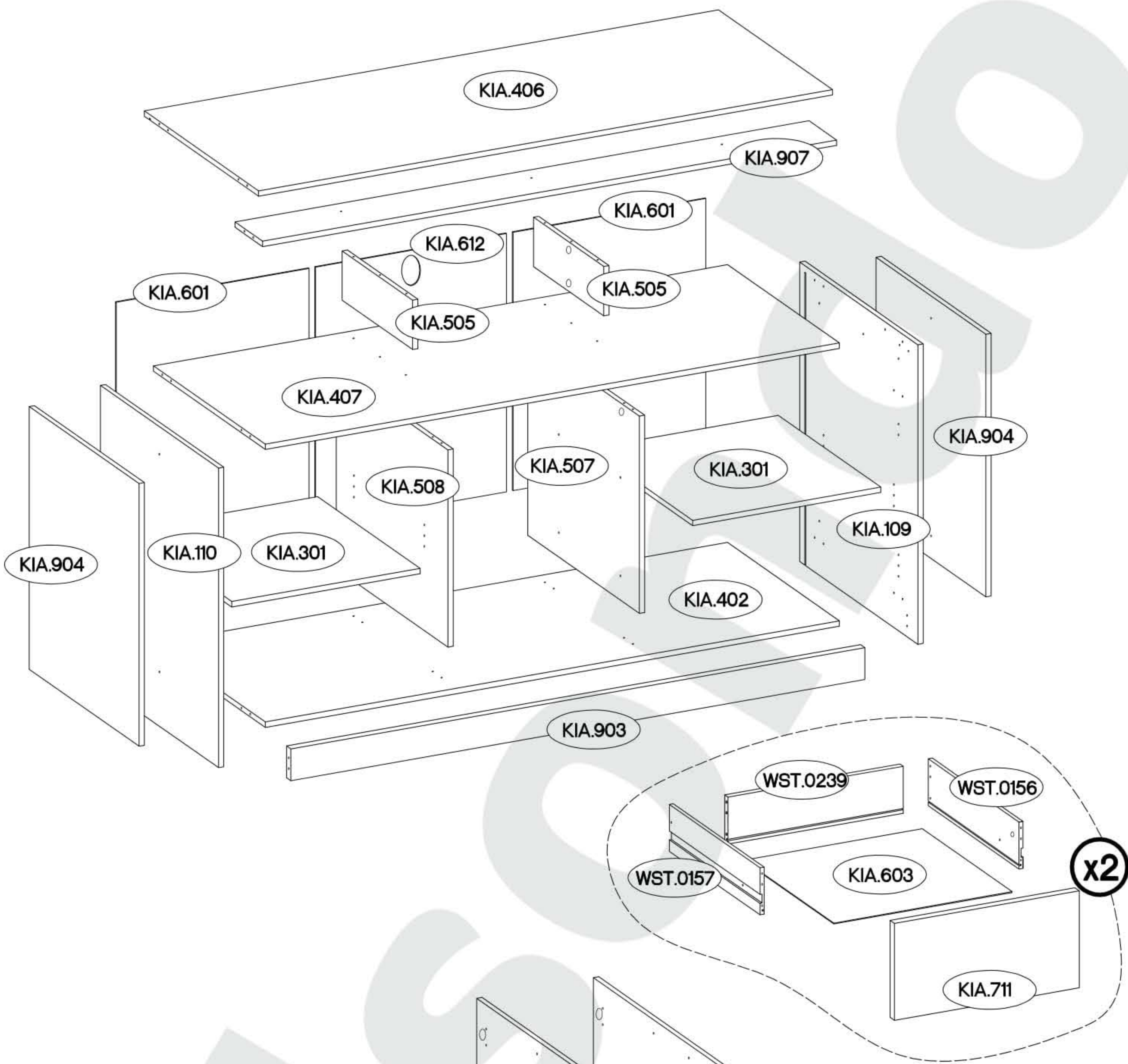
120 min

TYP 820



†8x30mm A 46	†8x60mm A2 2	†8x20mm A4 4	6,4 x 50mm B 4	†6x42mm B2 4	†15/12mm C 22	†12/10mm C5 4	 cza. E 14	 art. E 4		
L=20mm D2 26	†60 E17 1	6.5x48x16 F2 4	†15x5mm F4 2	†35/16mm HG2 4	27/310mm I4 2	†5/16mm J3 8	 L 20	 L2 10	 L9 2	†6,3x13mm M2 8
 O 1	†10x50mm O7 2	Lein O11 1	†4.0x16mm P1 2	†3.5x13mm P5 10	†3.0x20mm P7 34	†3.5x25mm BLACK P25 13	L=128mm S 4	 T3 1	M4x22mm U 8	M4x9mm U1 4

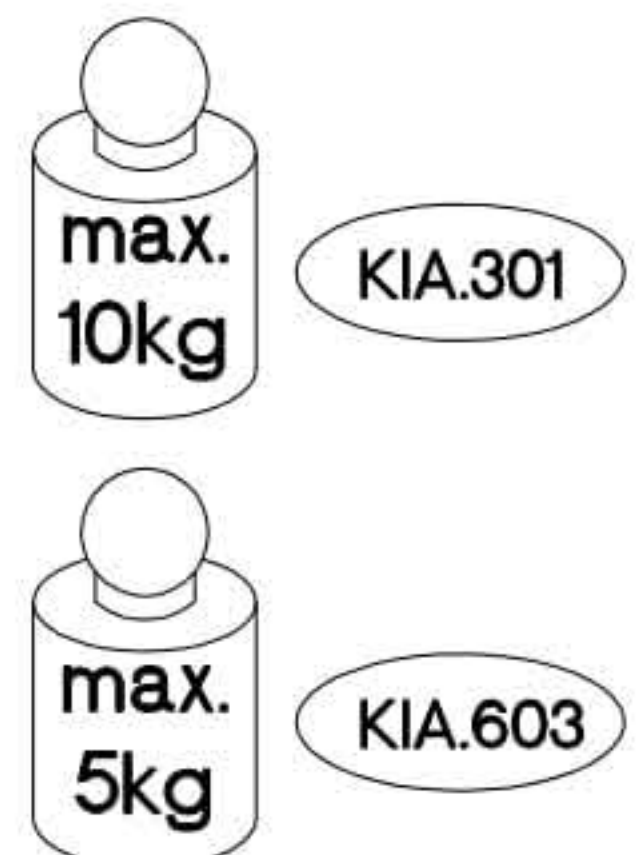
ISM-KIA-008






Colli	Ersatzteil Nummer	Dimension
1/3	KIA.301 x2	570x373x16
	KIA.601 x2	770x583x2,5
	KIA.603 x2	540x327x2,5
	KIA.612	770x578x2,5
	KIA.710 x2	567x582x16
	KIA.711 x2	559x289x16

Colli	Ersatzteil Nummer	Dimension
2/3	KIA.109	893x430x16
	KIA.110	893x430x16
	KIA.505 x2	147x256x16
	KIA.507	588x406x16
	KIA.508	588x406x16
	KIA904 x2	783x400x16
	WST.0156 x2	330x140x12
	WST.0157 x2	330x140x12
WST.0239 x2	530x140x12	

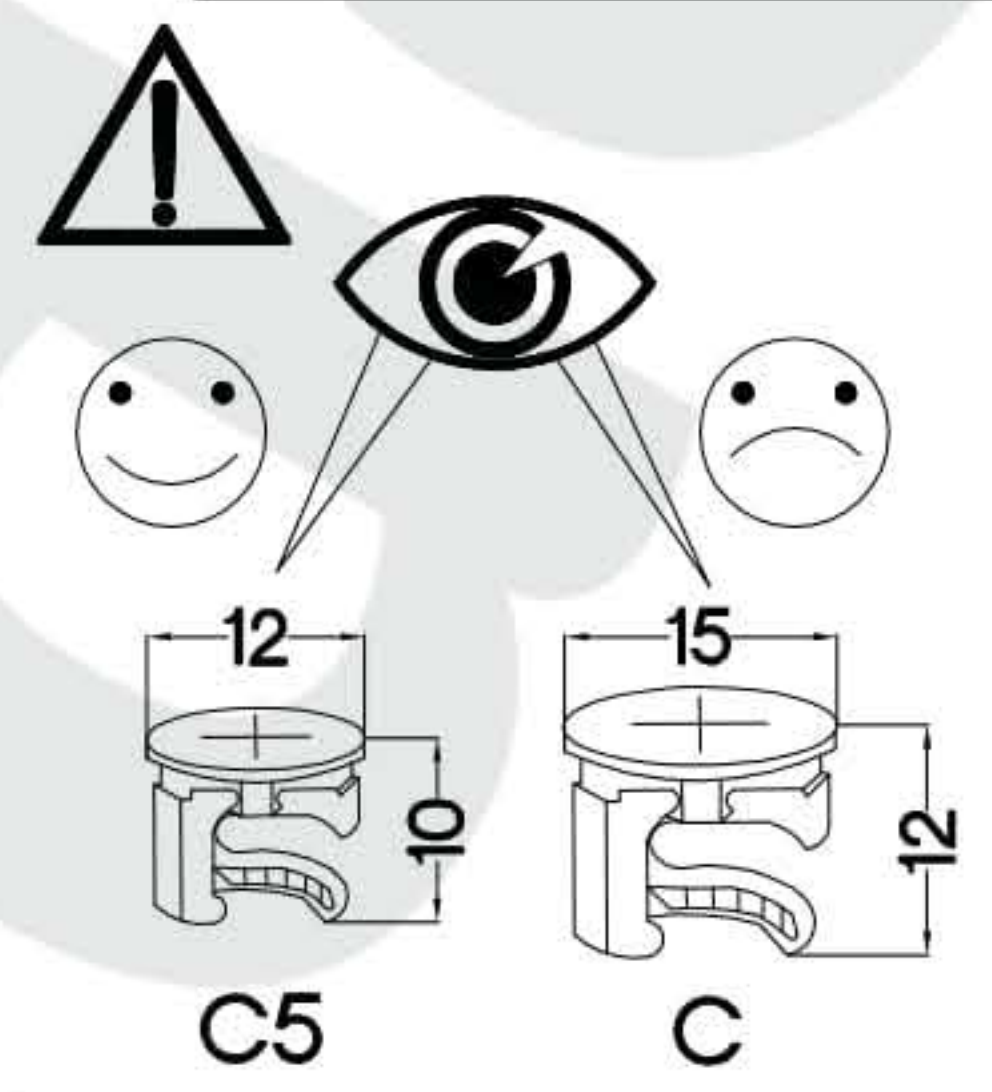
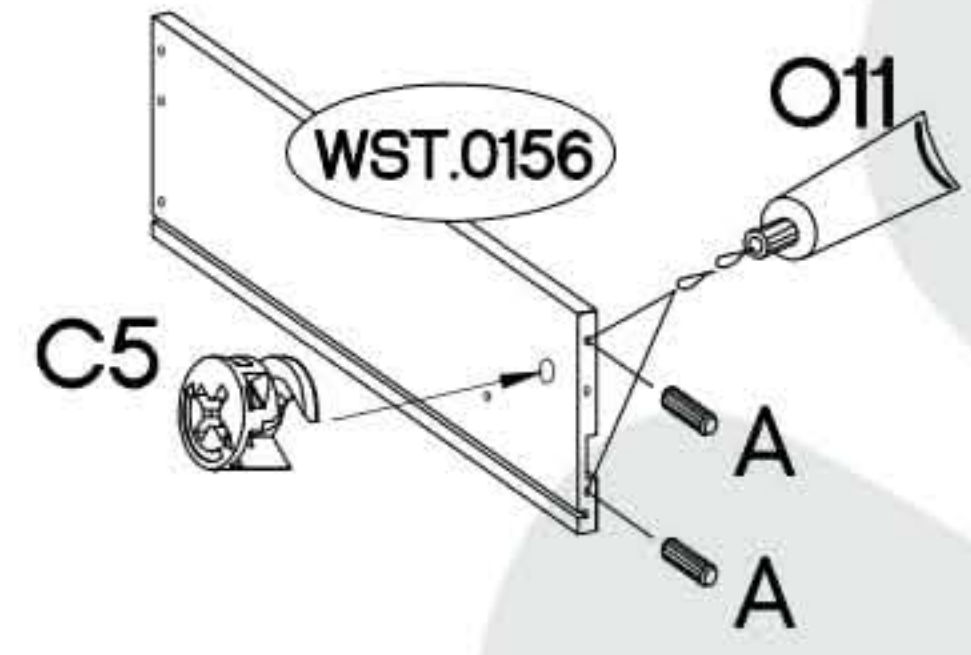
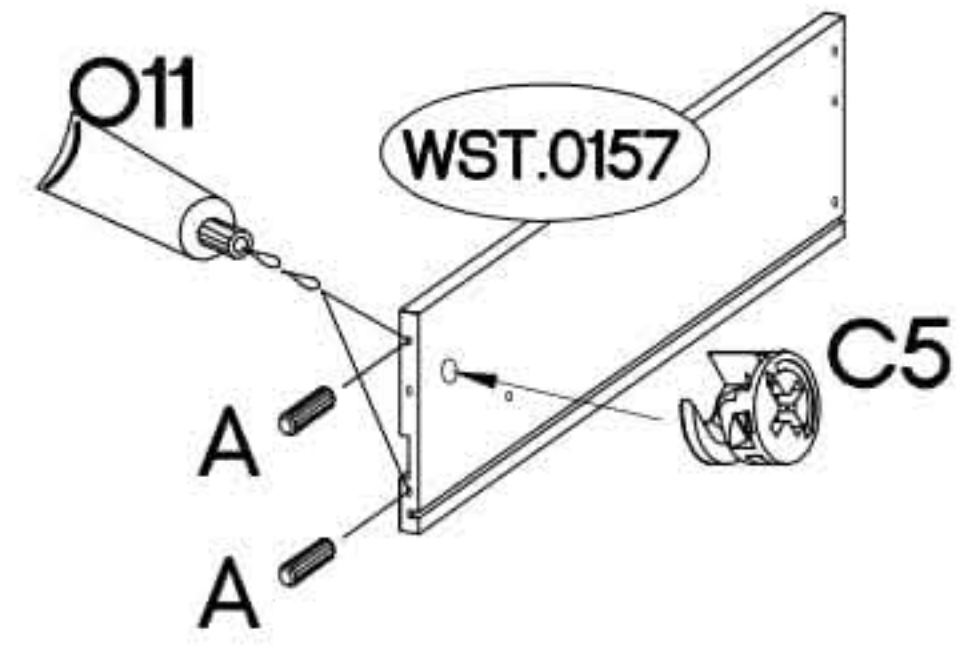
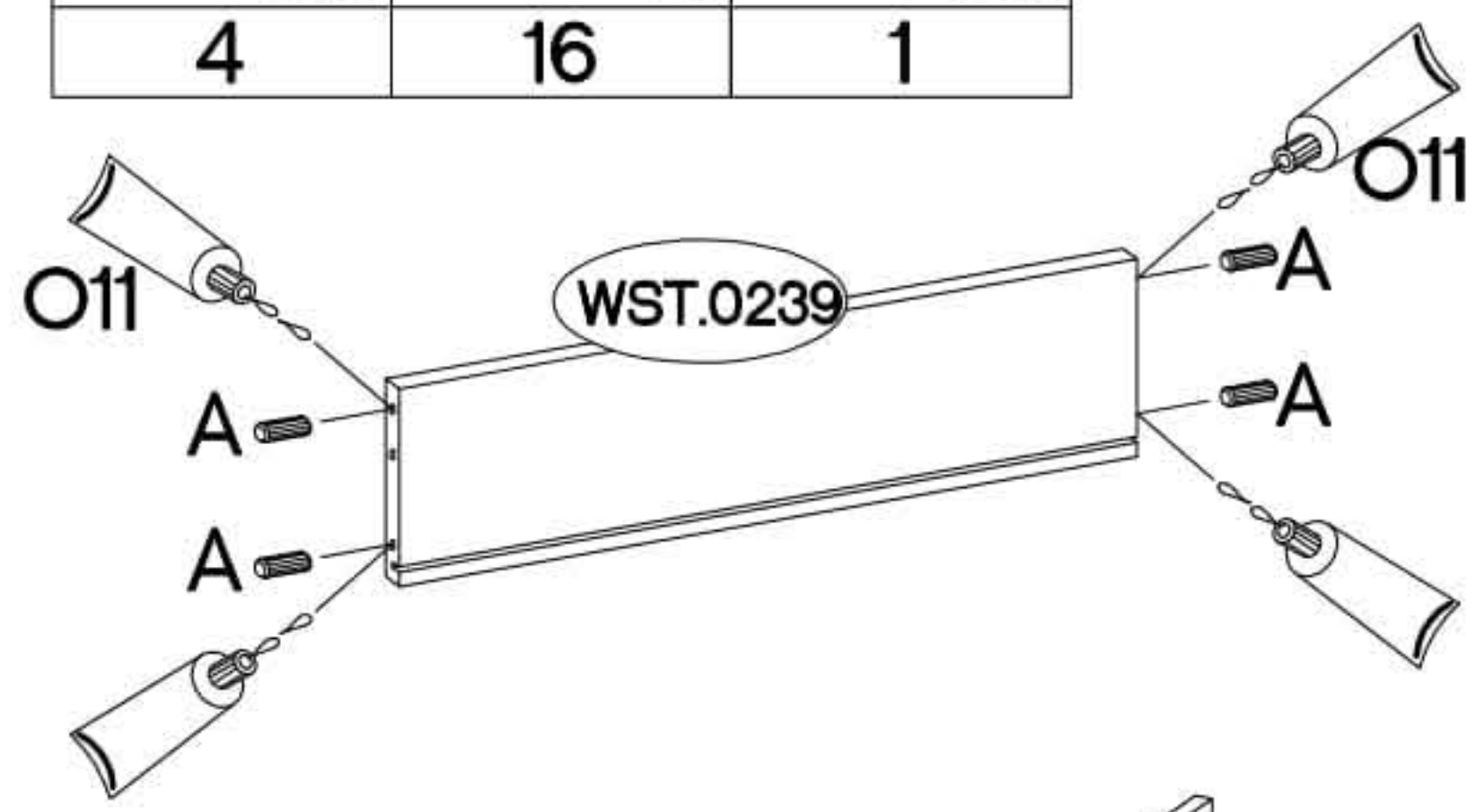
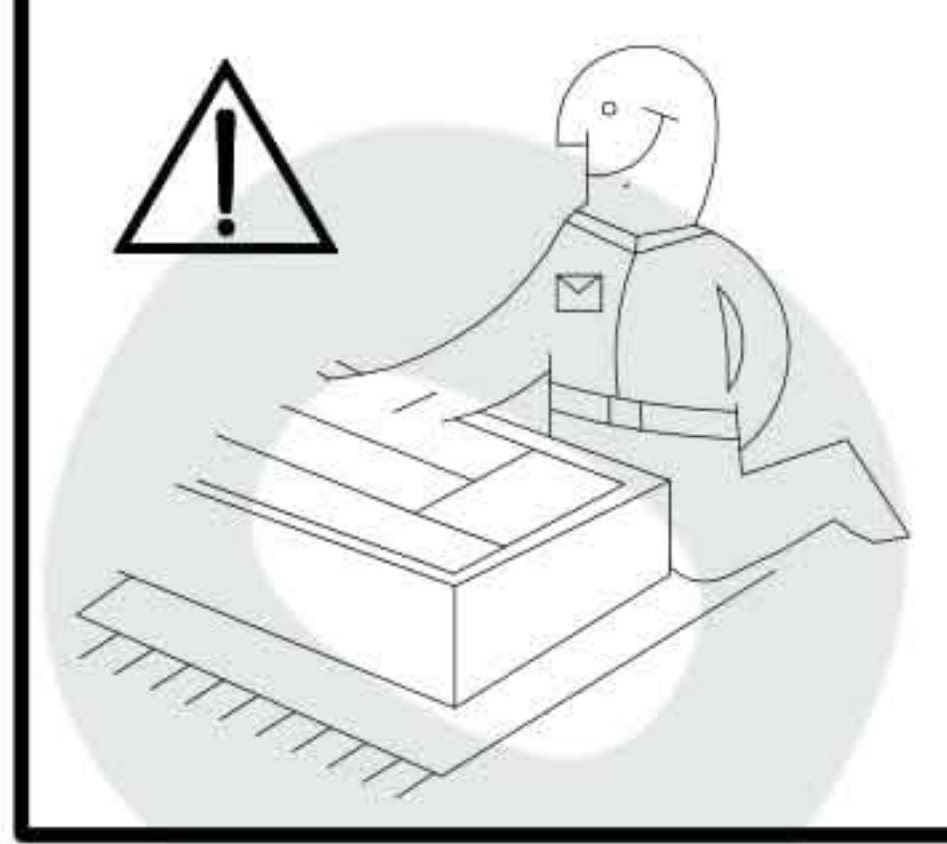
Colli	Ersatzteil Nummer	Dimension
3/3	KIA.402	1737x407x16
	KIA.406	1737x415x16
	KIA.407	1737x407x16
	KIA.903	1737x95x16
	KIA.907	1737x100x16



1



†12/10mm  C5 4	†8x30mm  A 16	0,05  O11 1
---	--	---

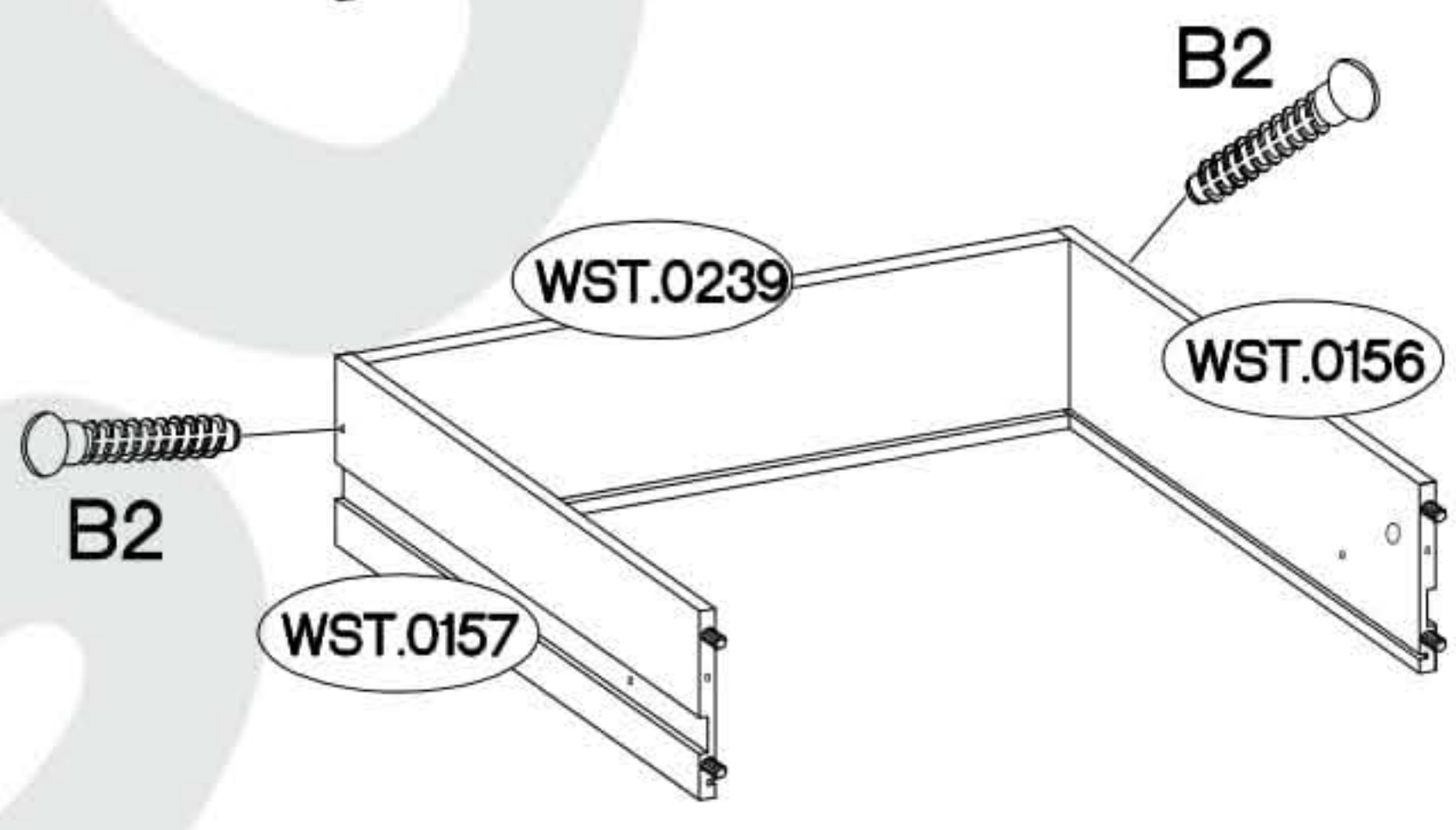
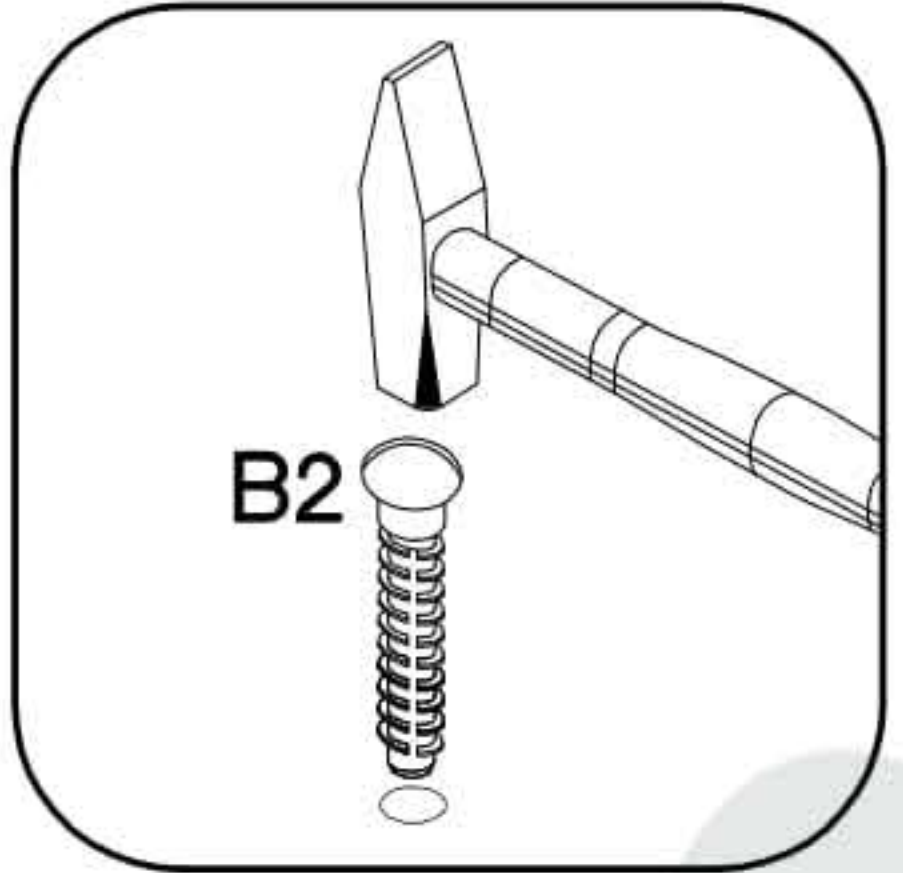
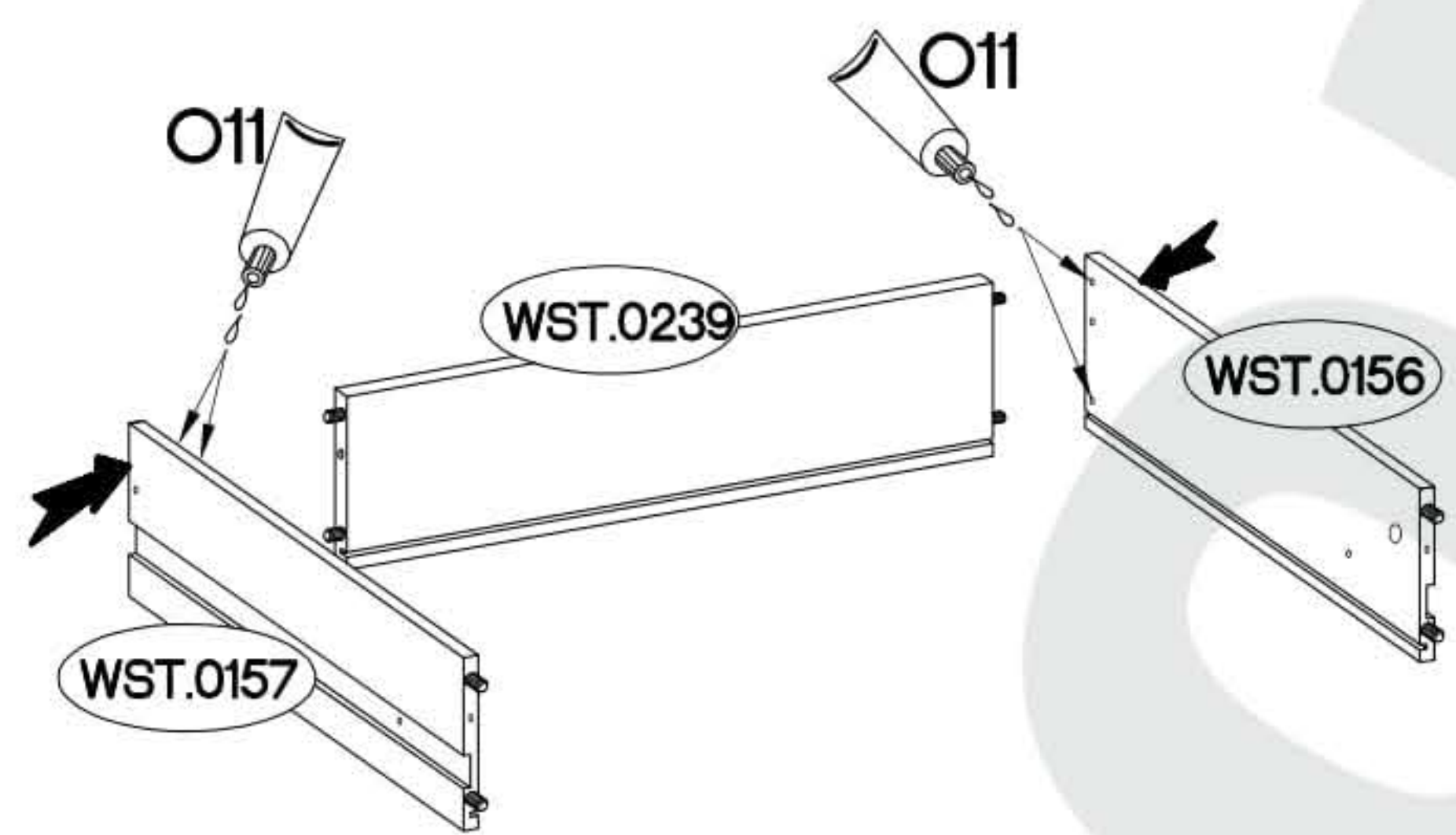
x2



2


x2

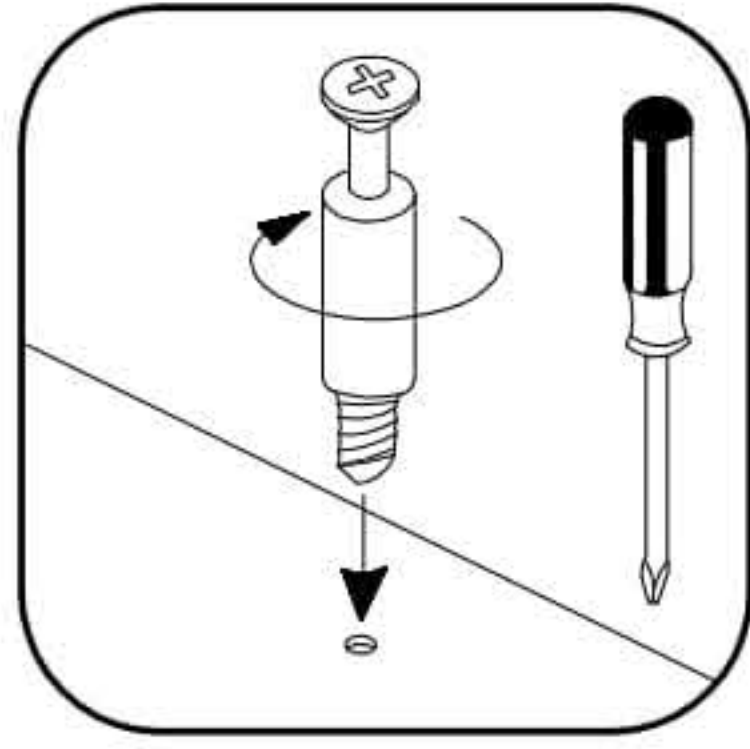
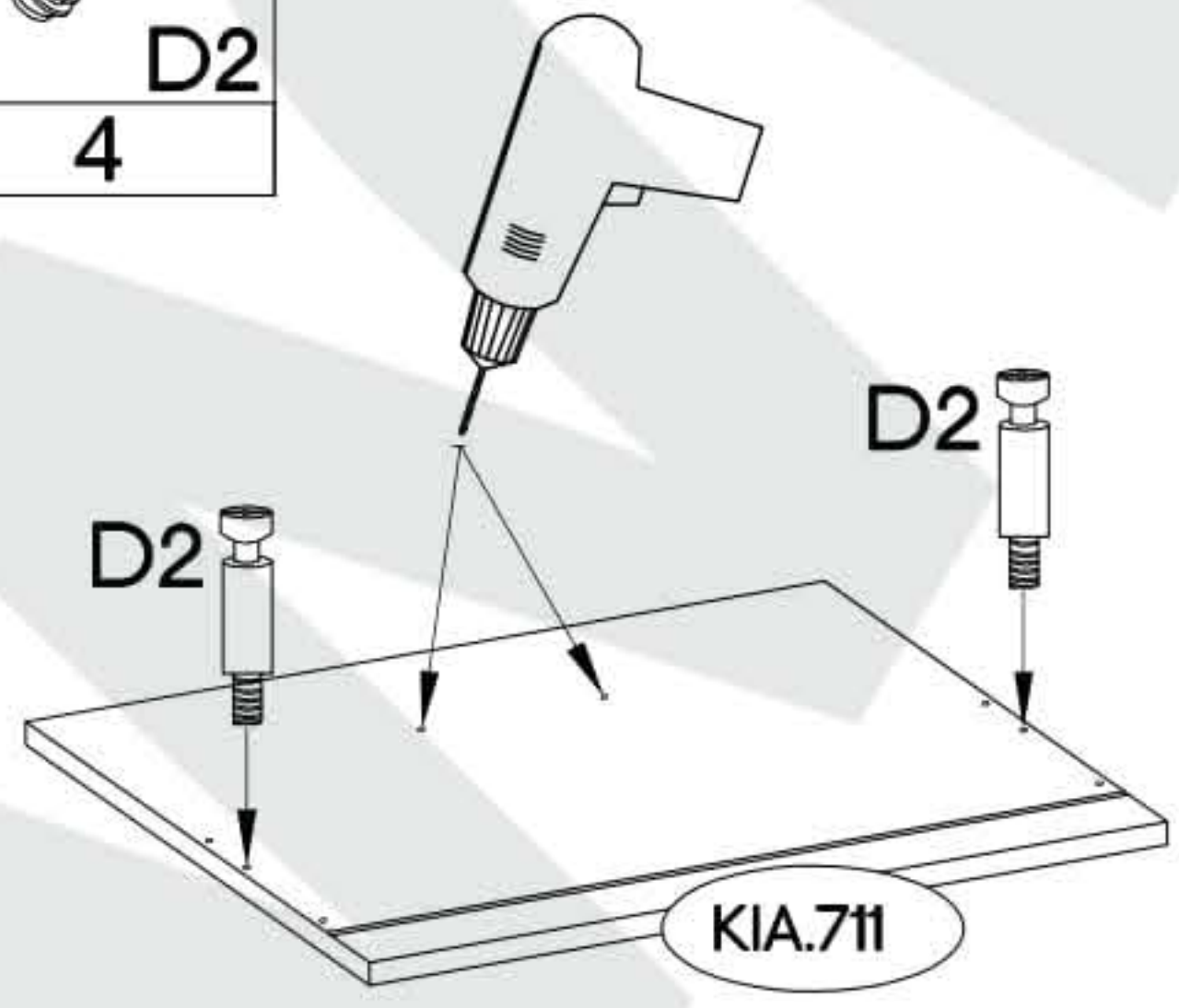
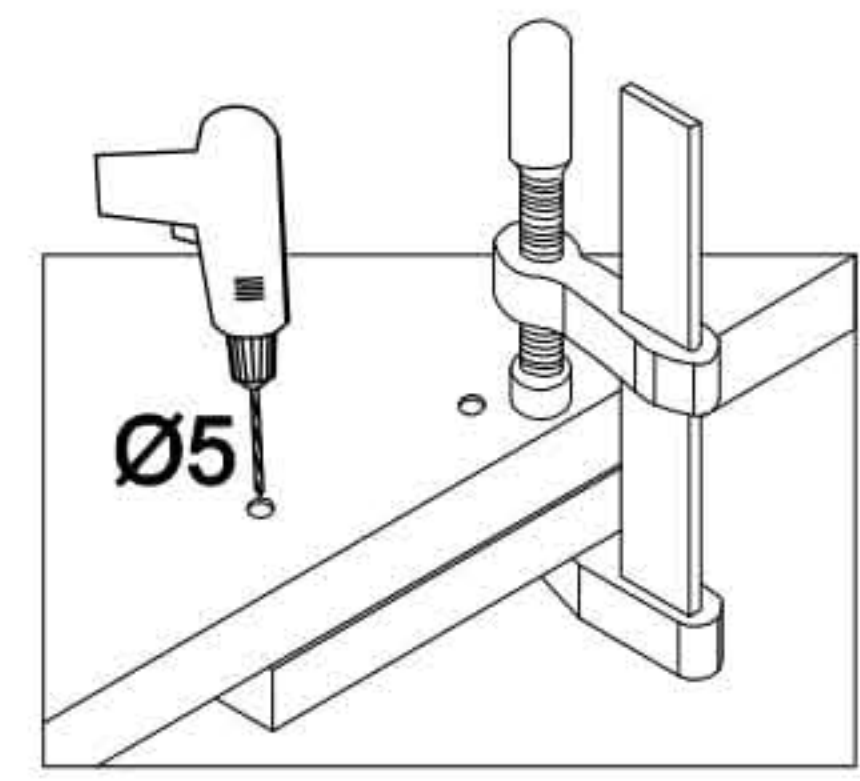
†6x42mm  B2 4	0,05  O11 1
---	---



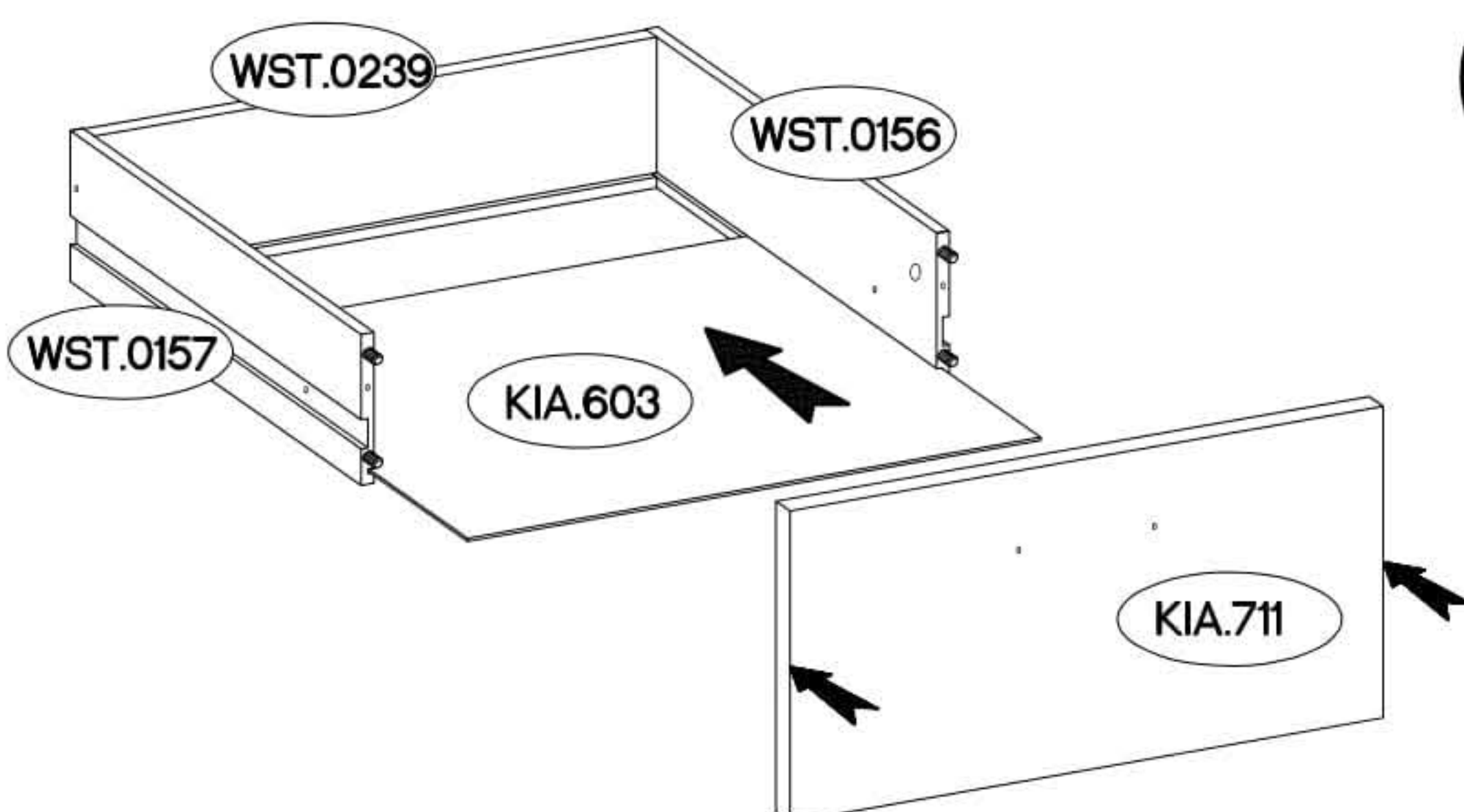
3

x2

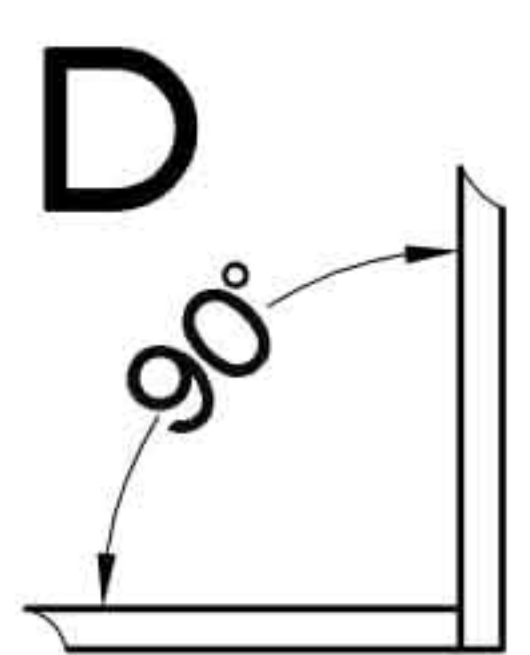
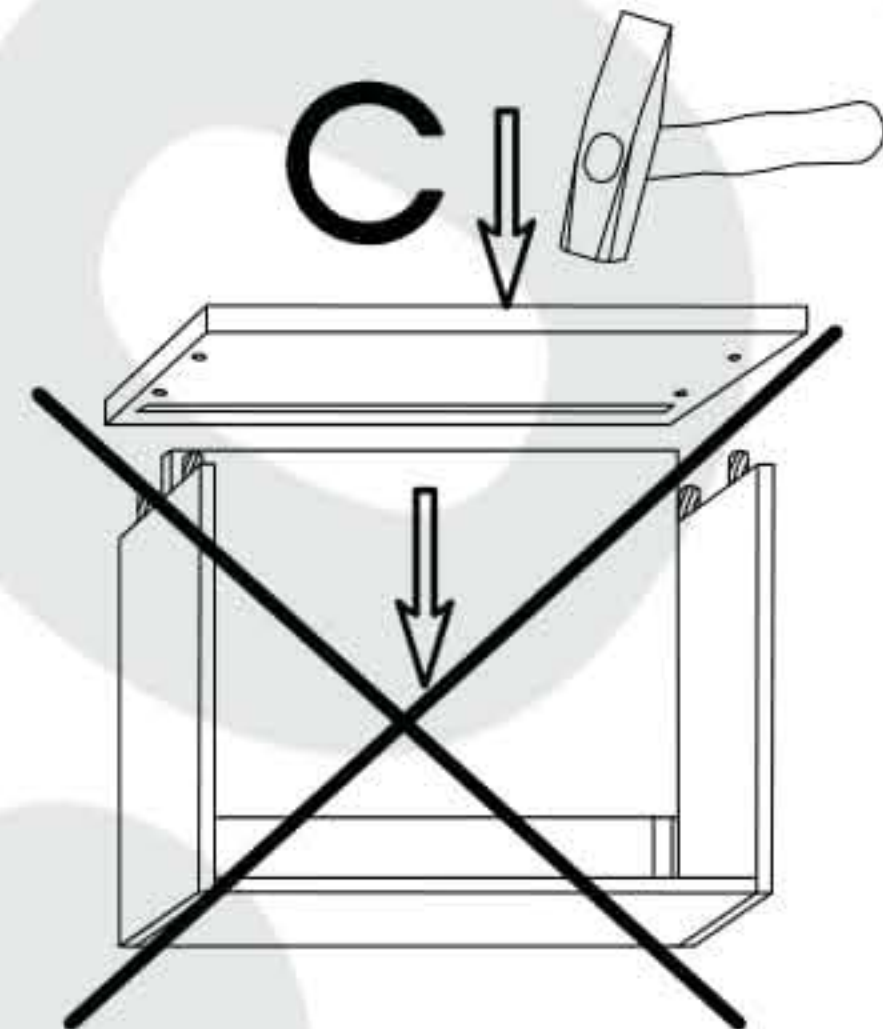
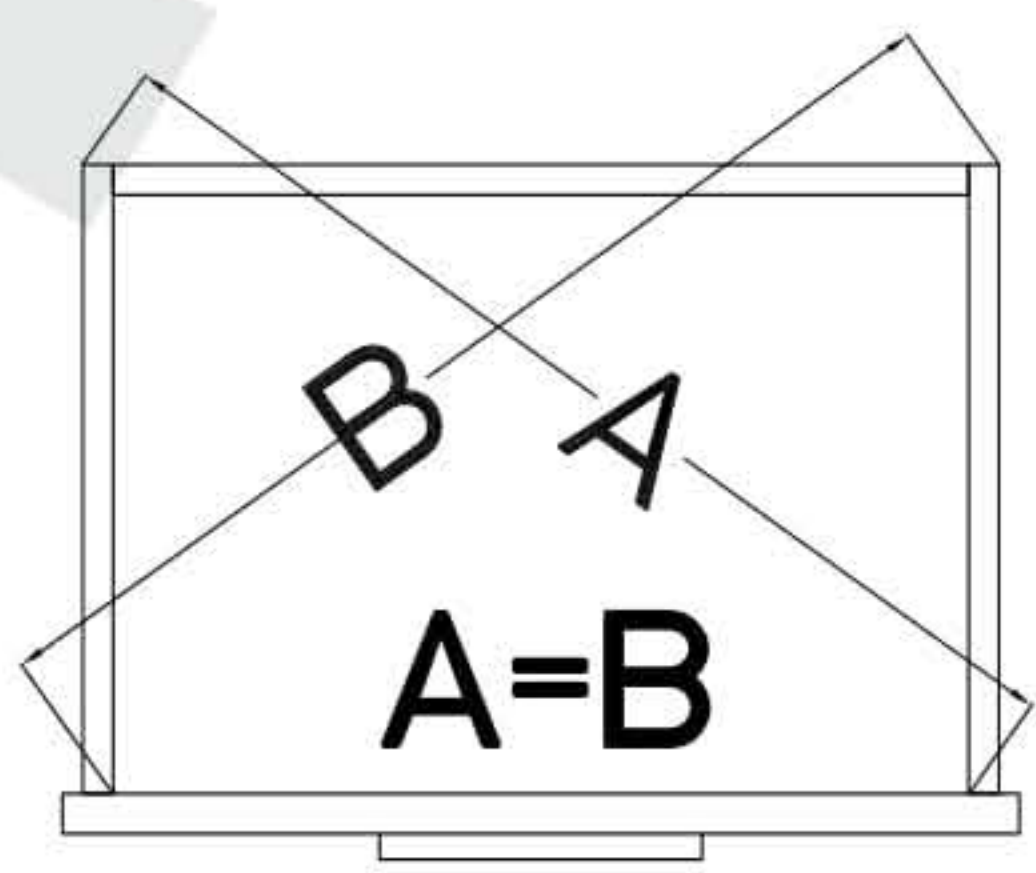
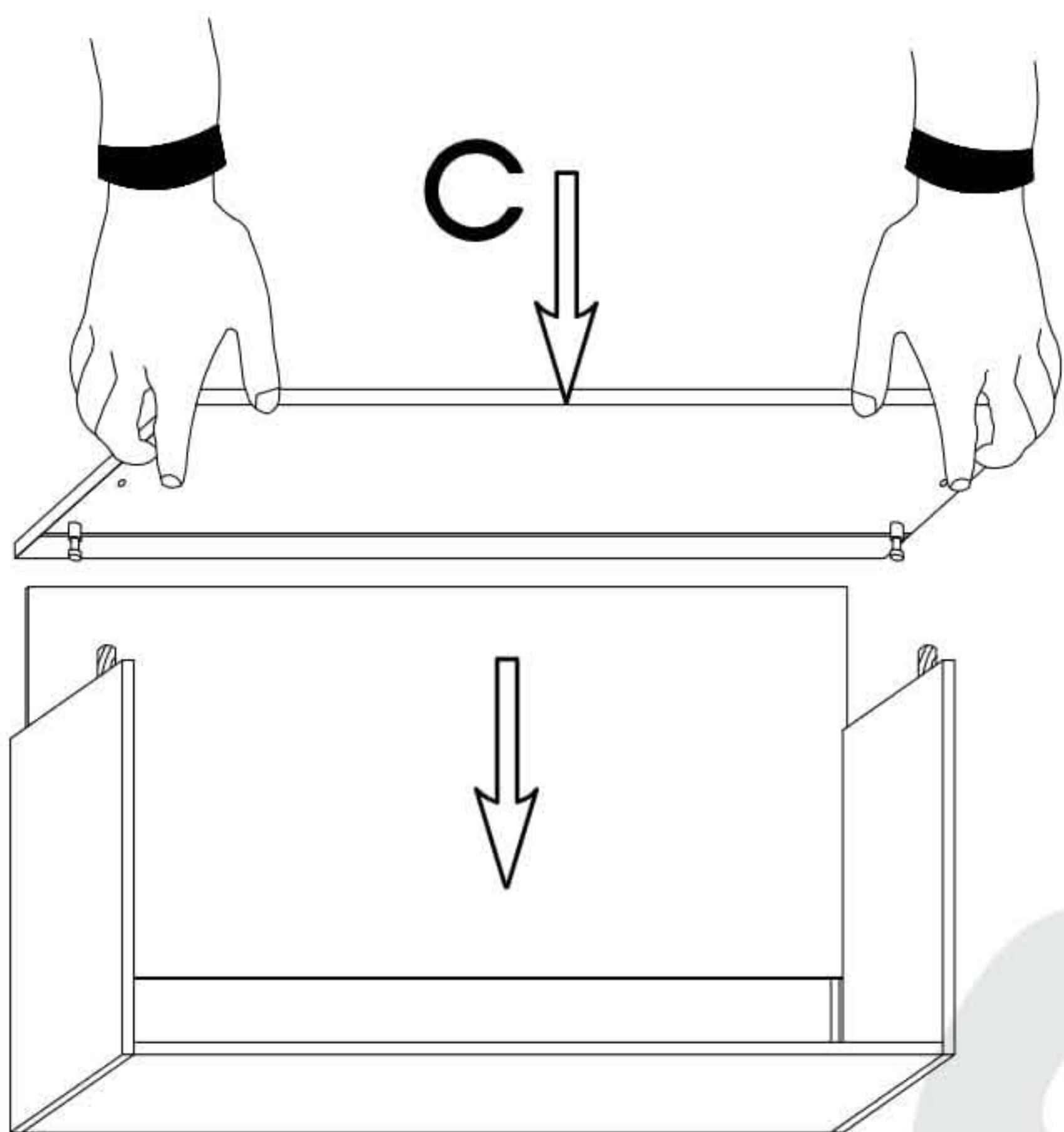
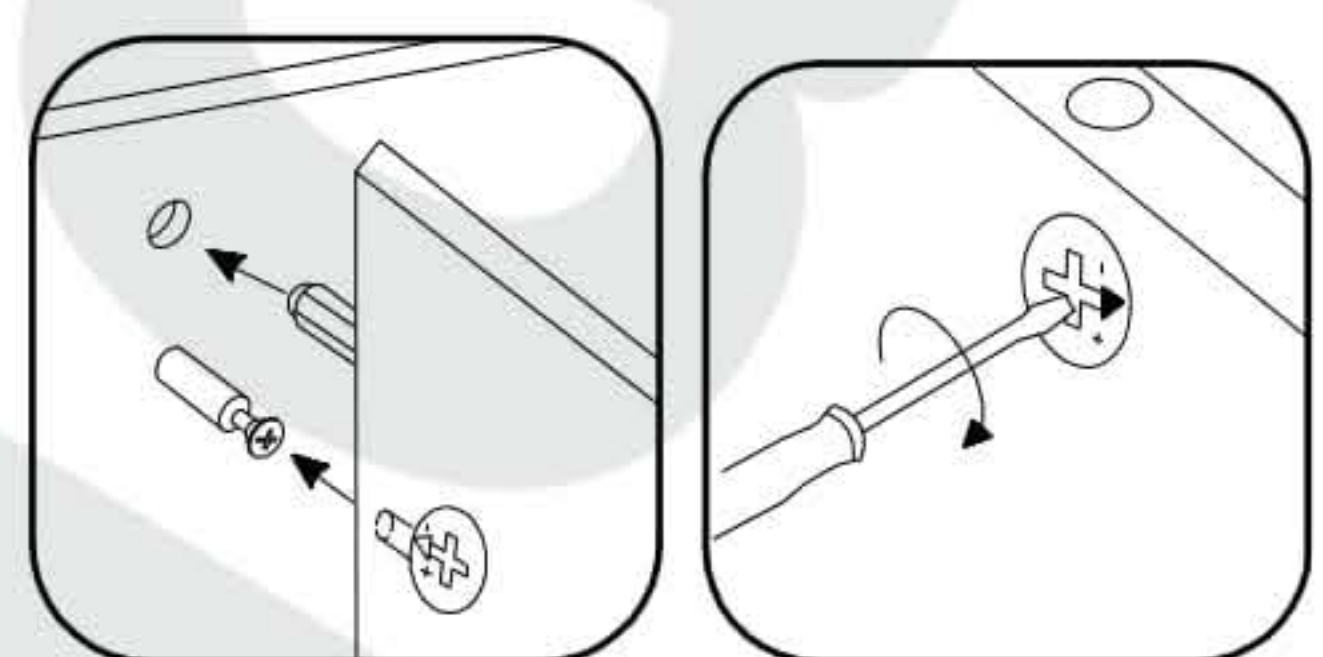
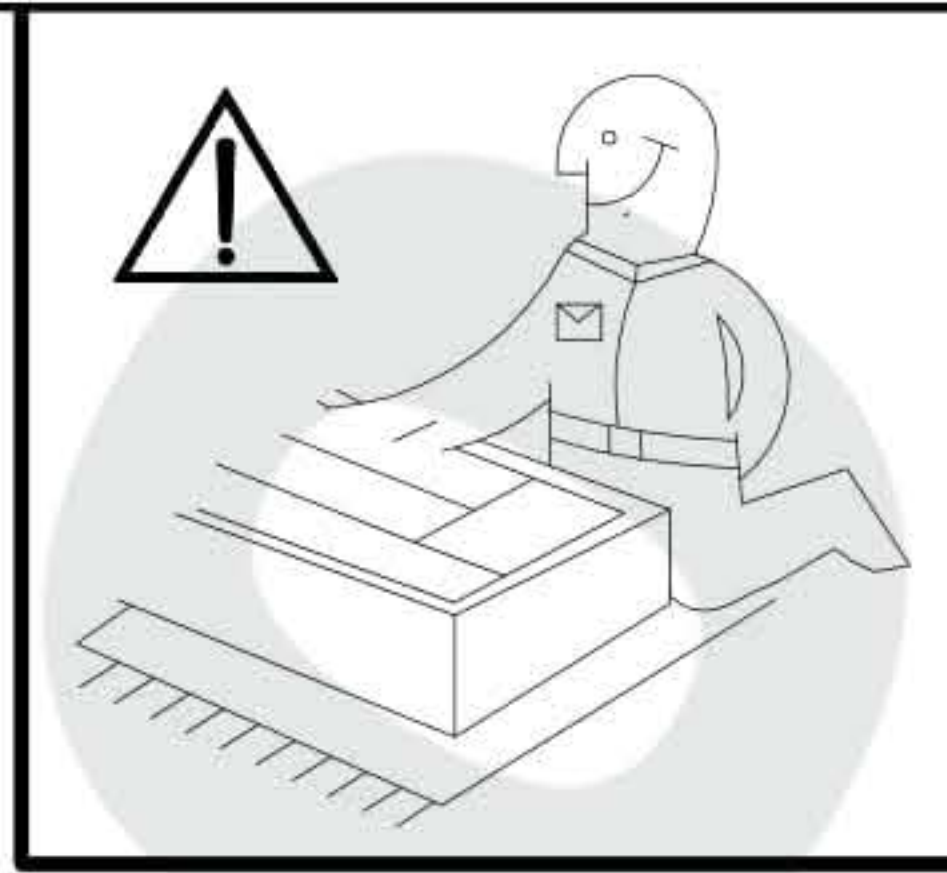
L=20mm  D2 4
--



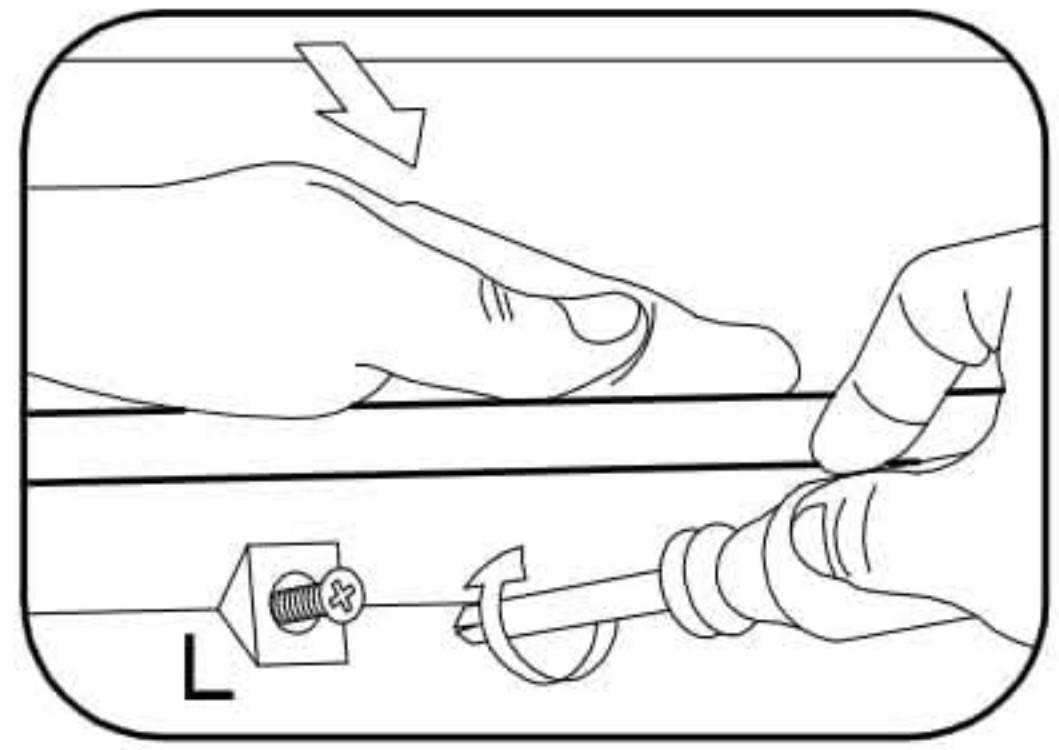
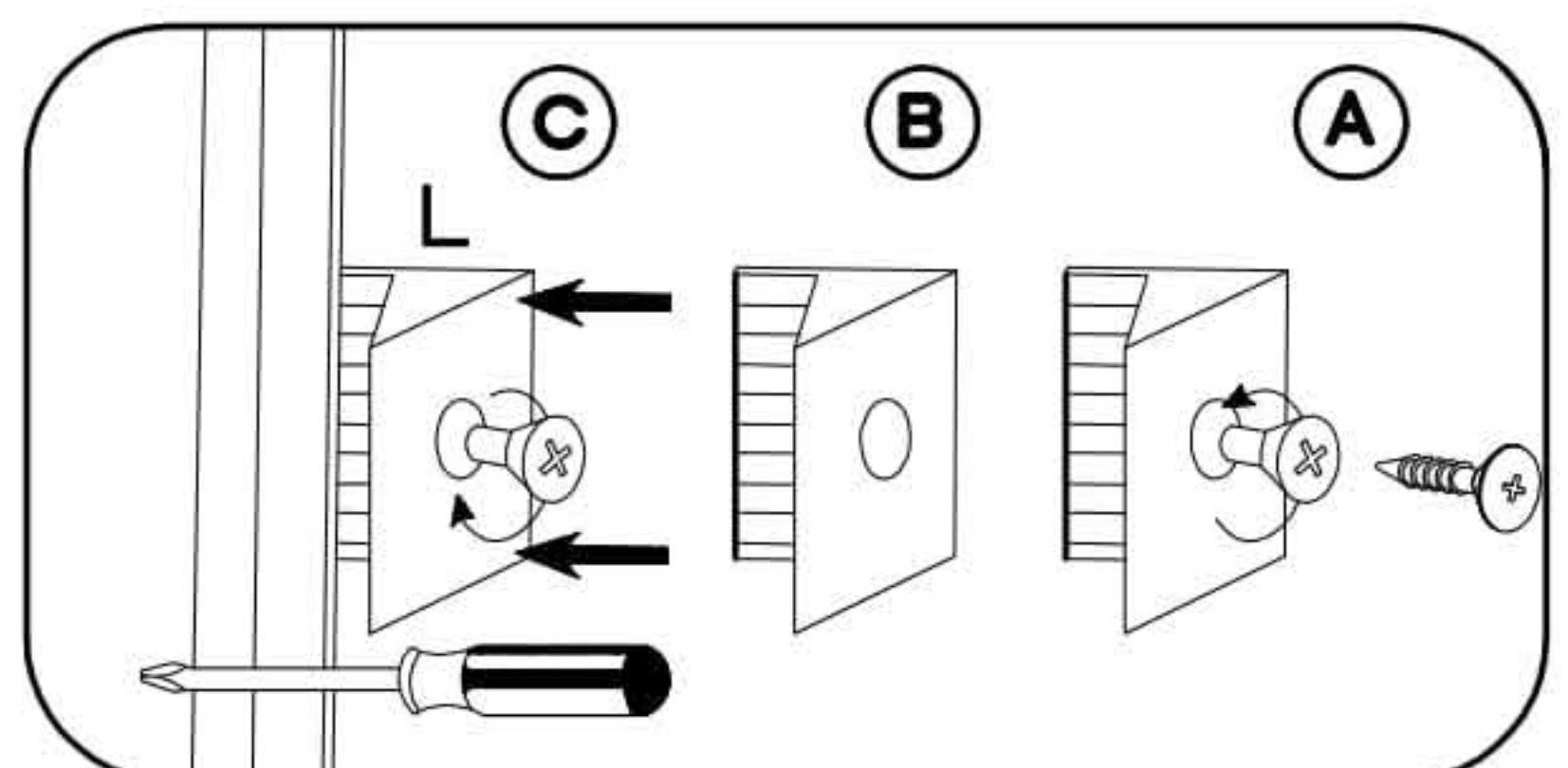
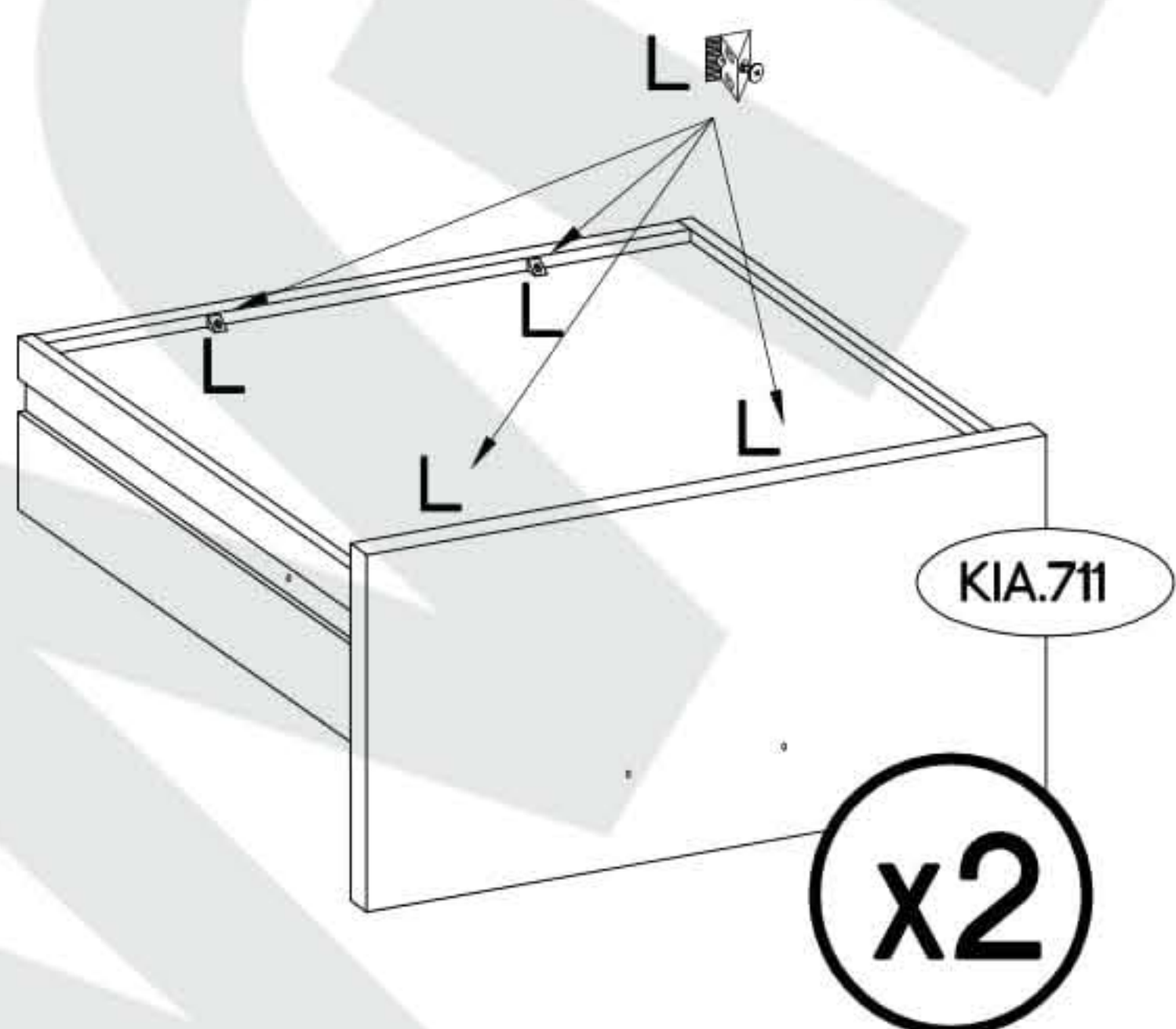
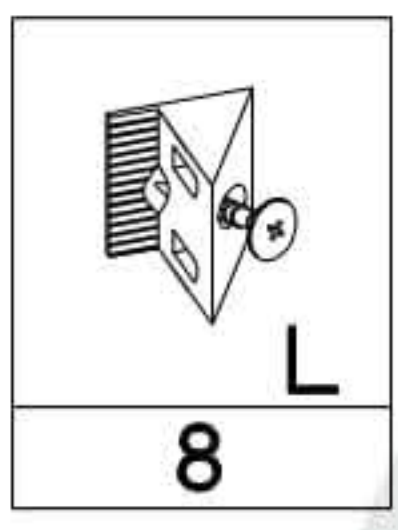
4



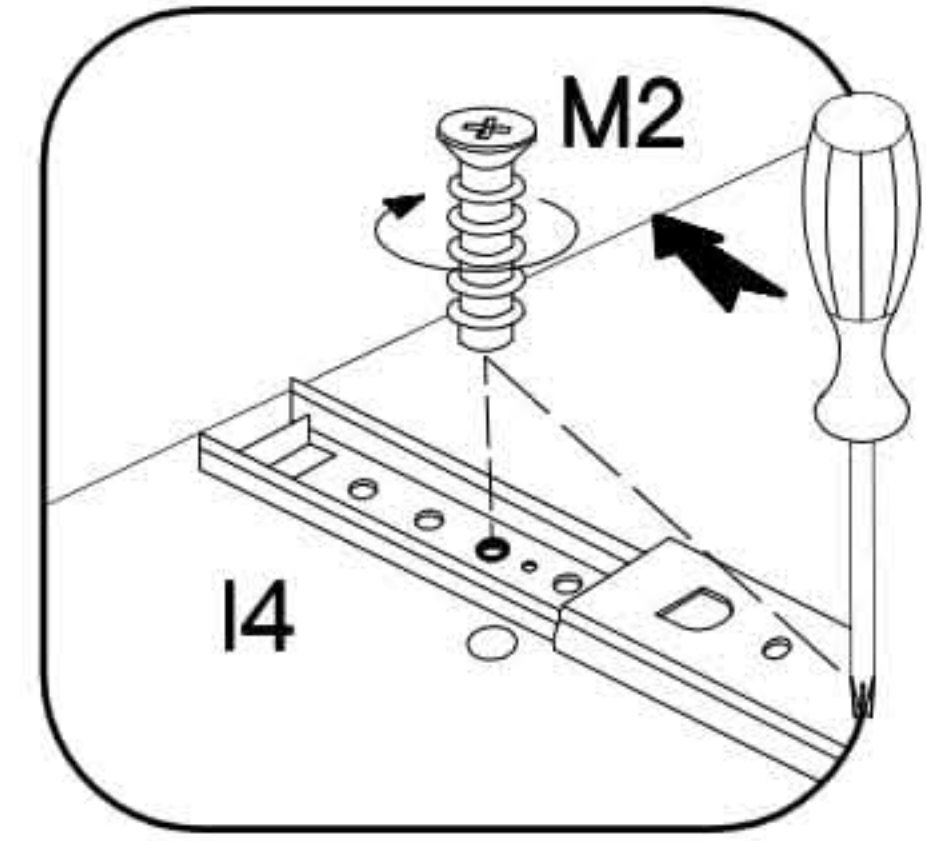
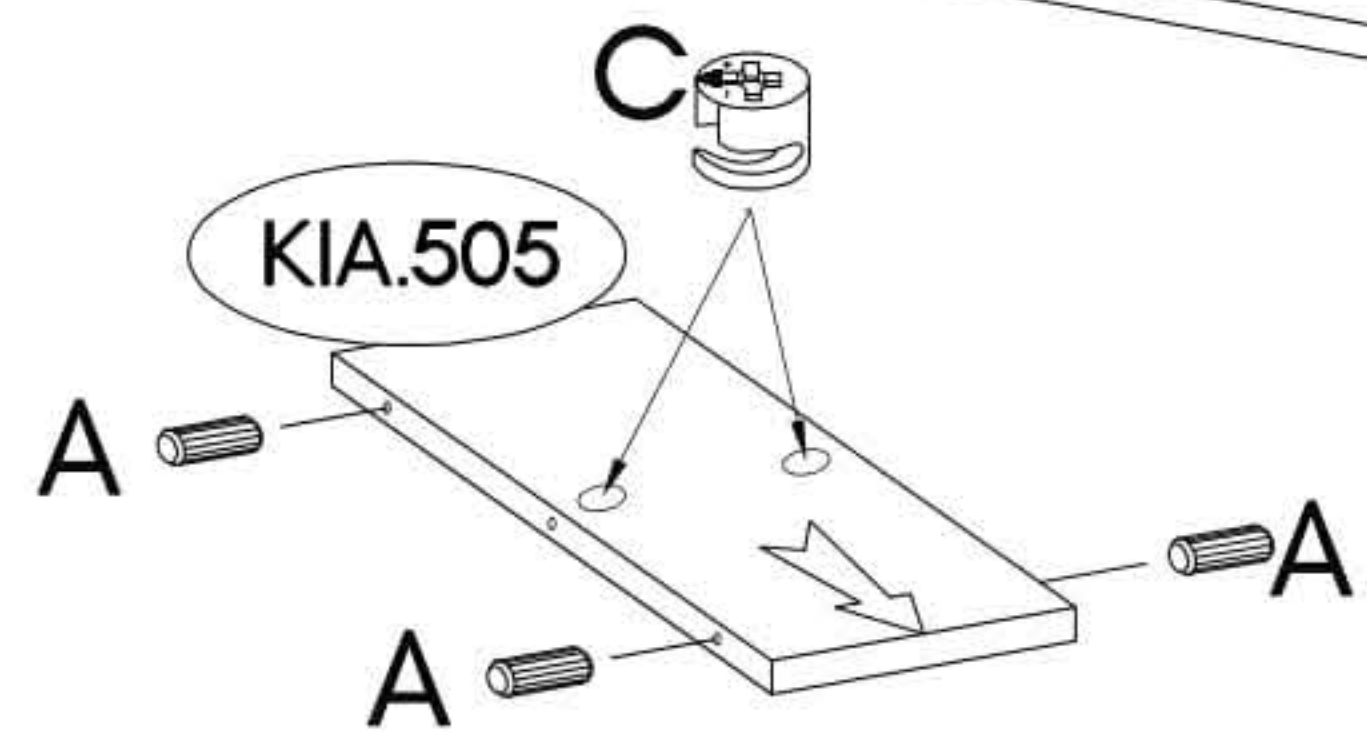
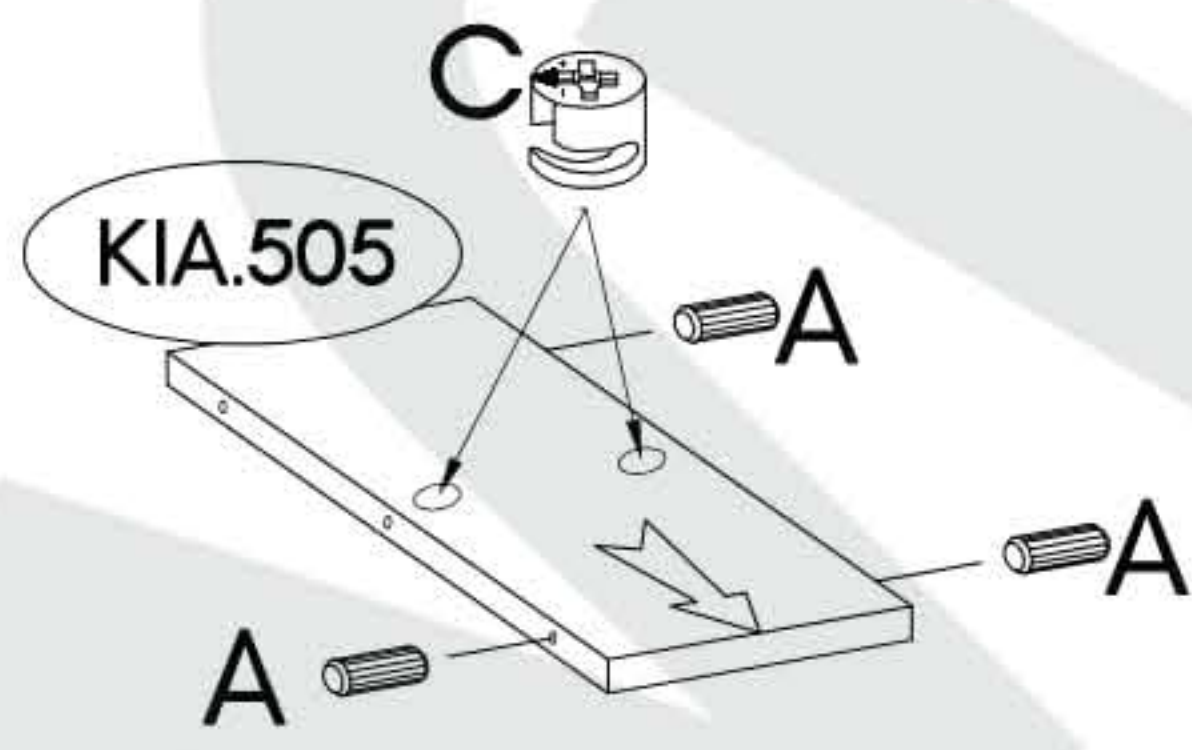
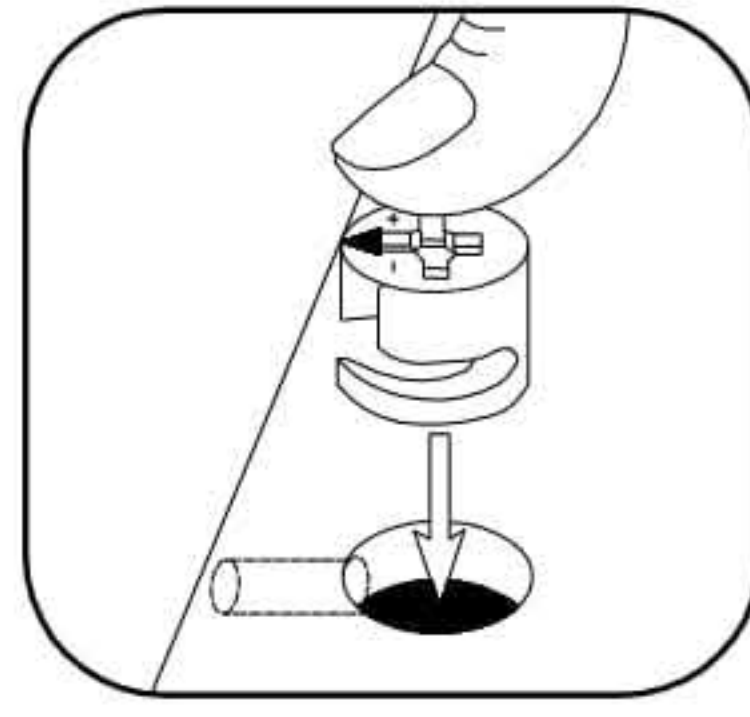
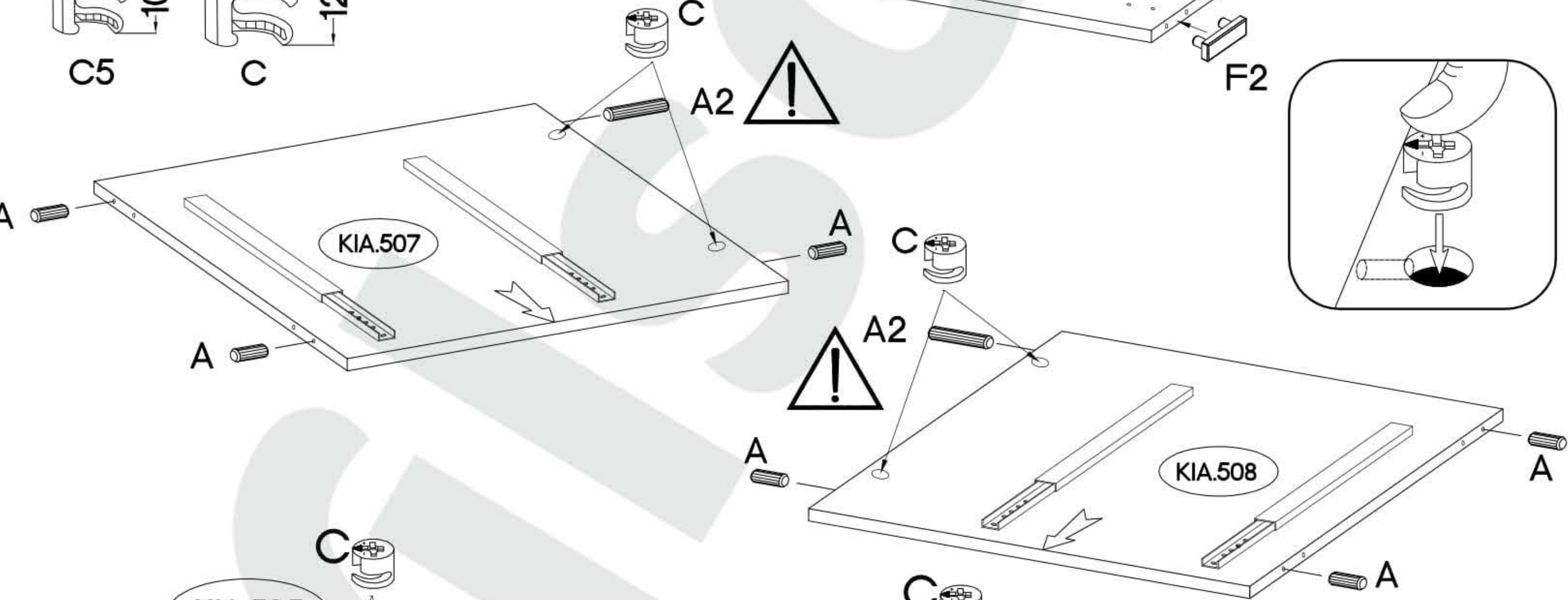
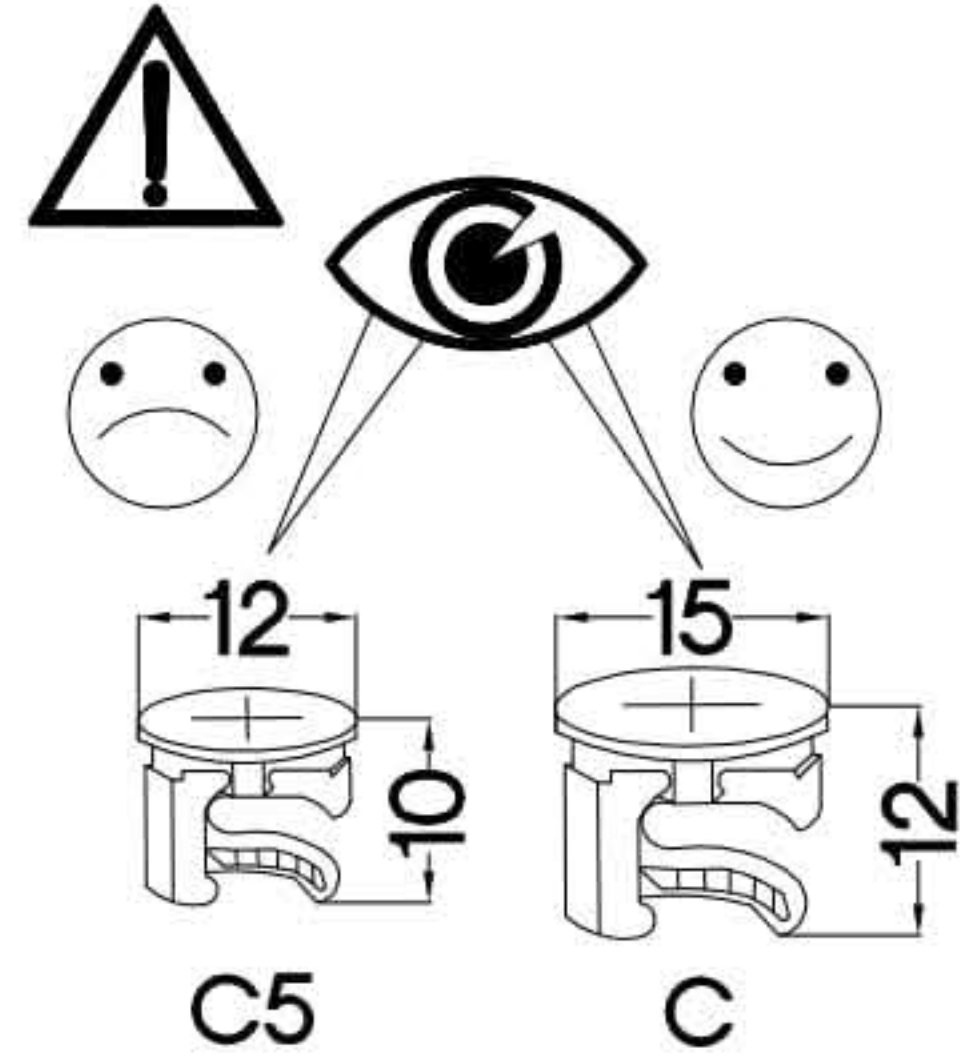
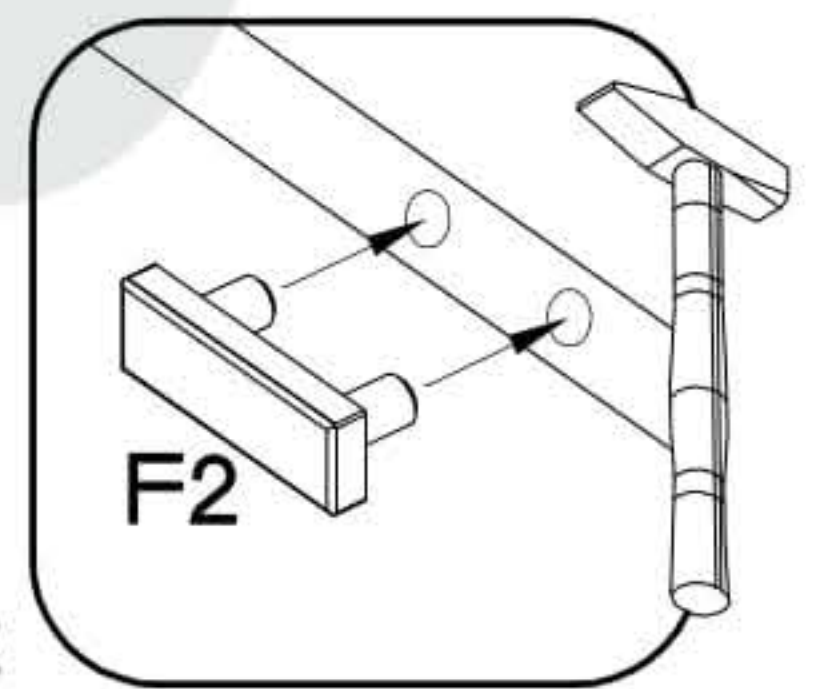
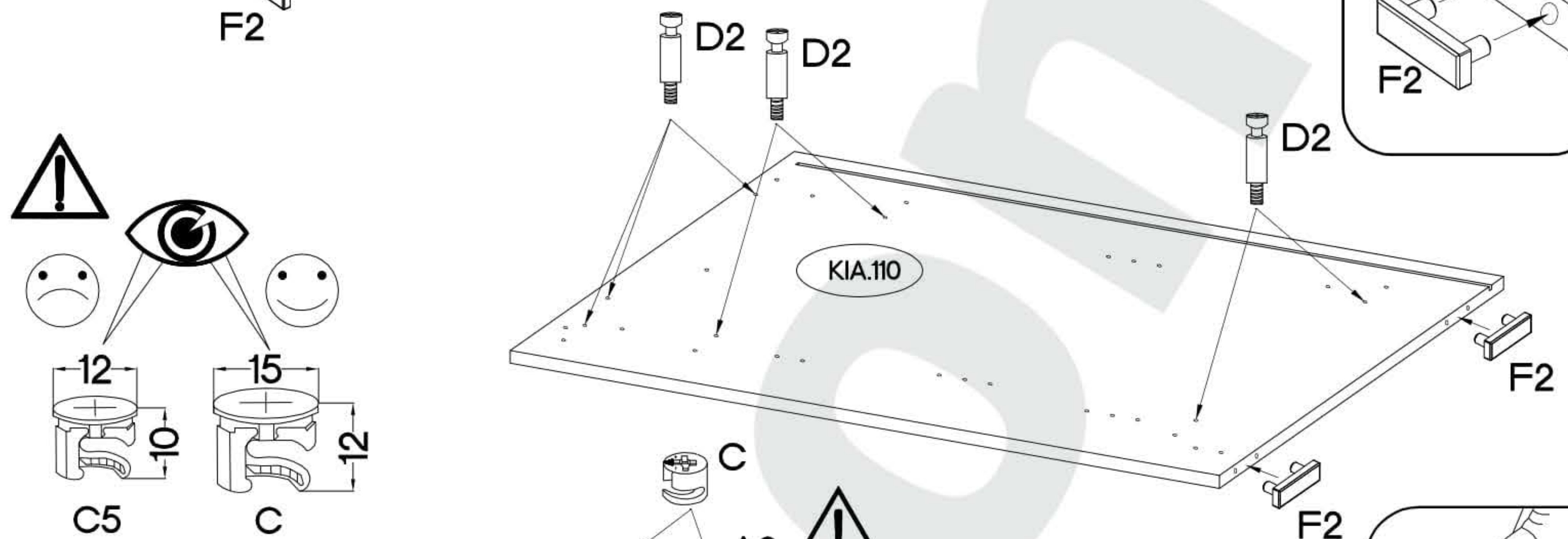
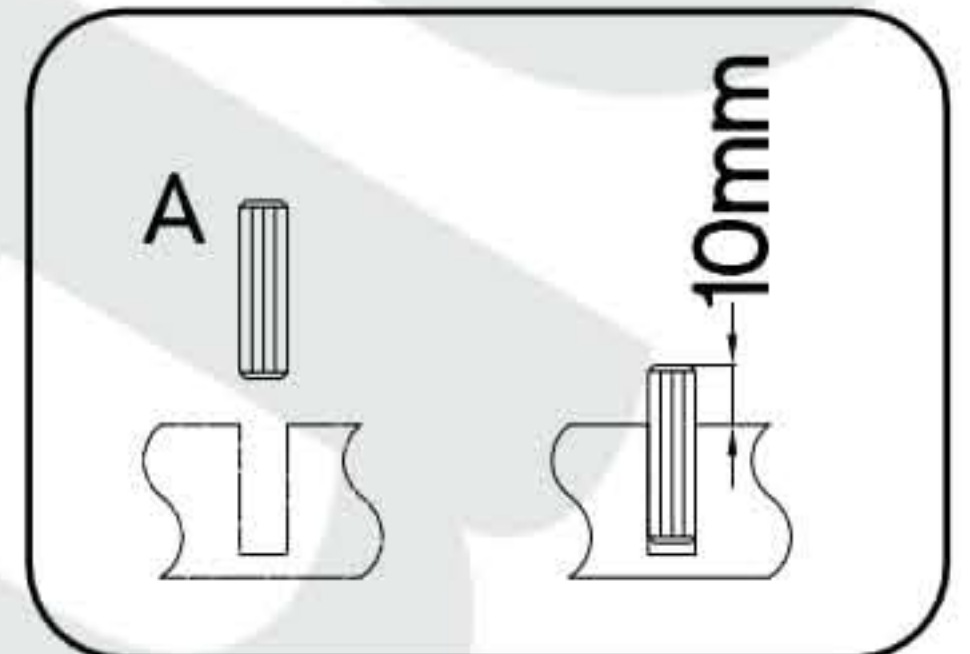
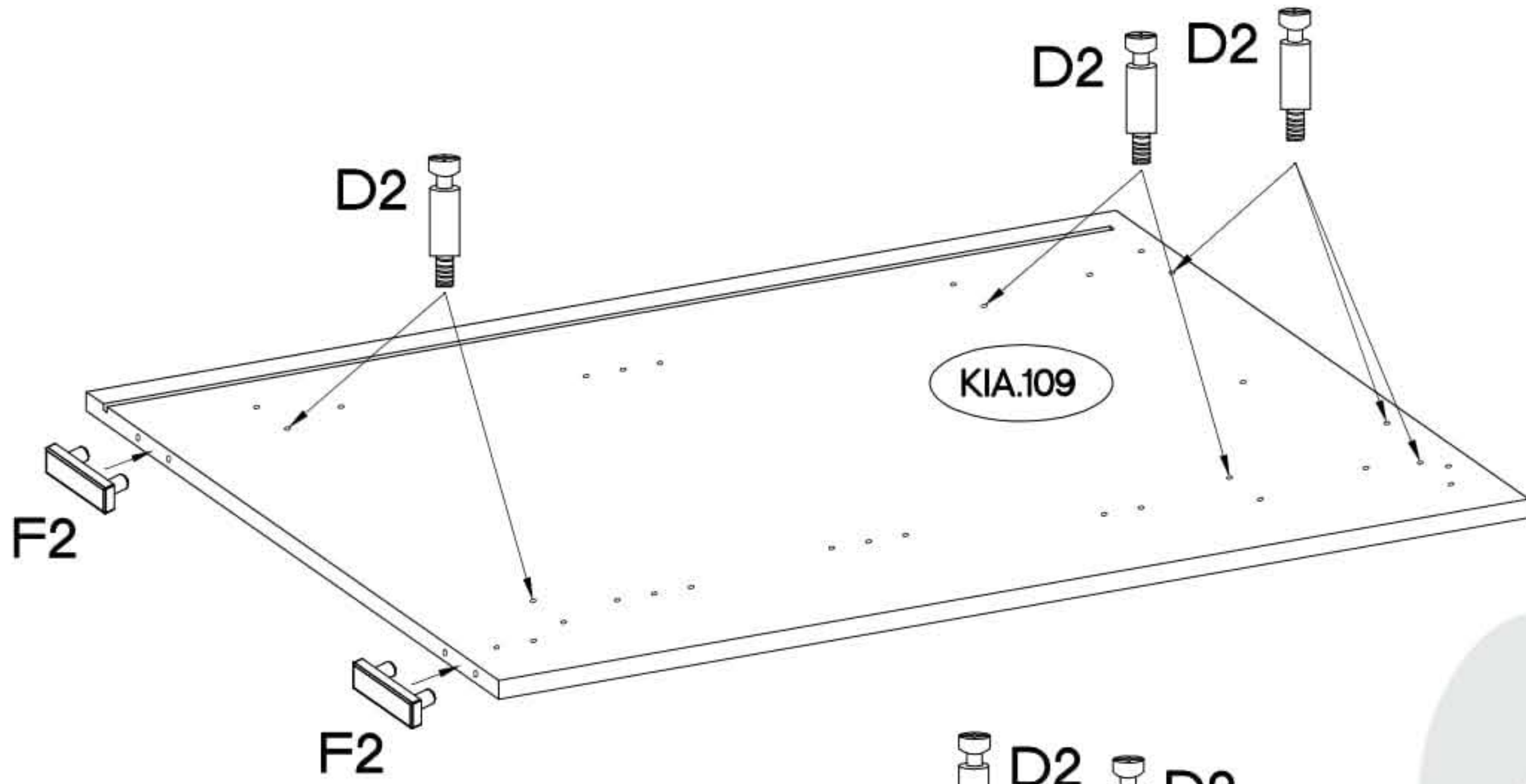
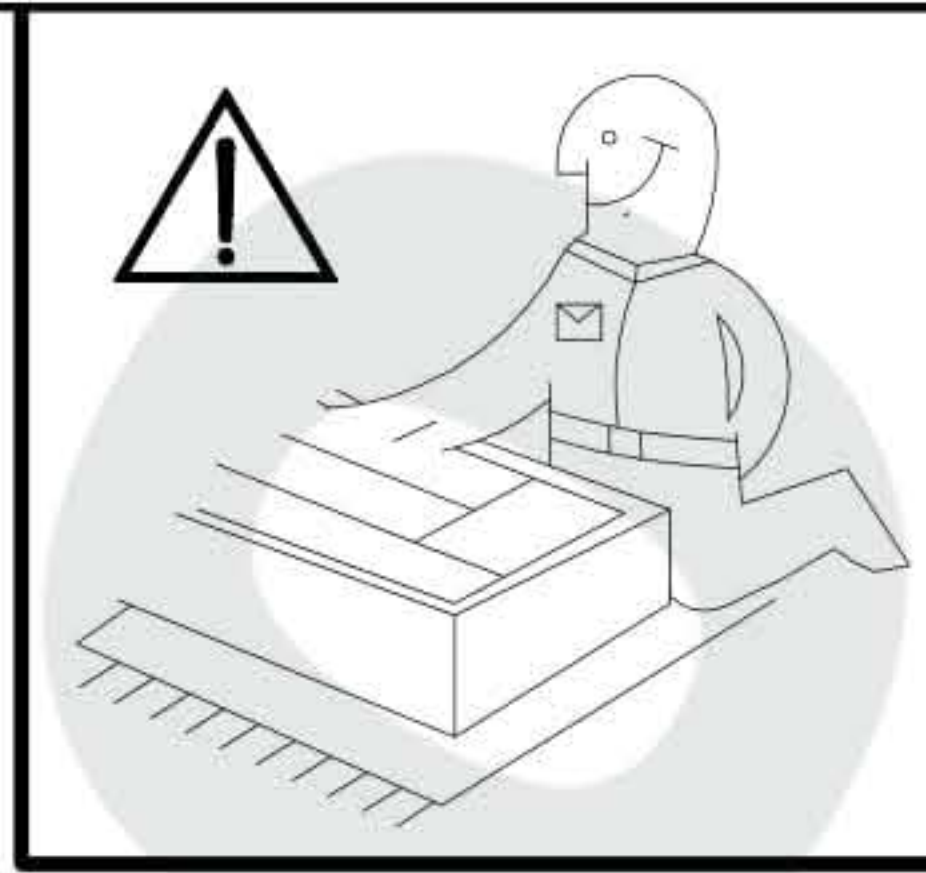
x2

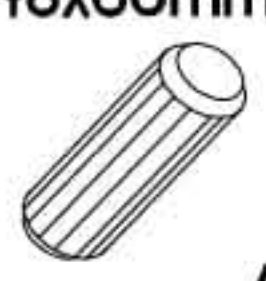


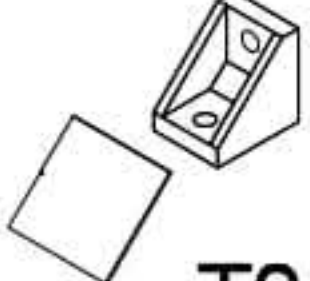




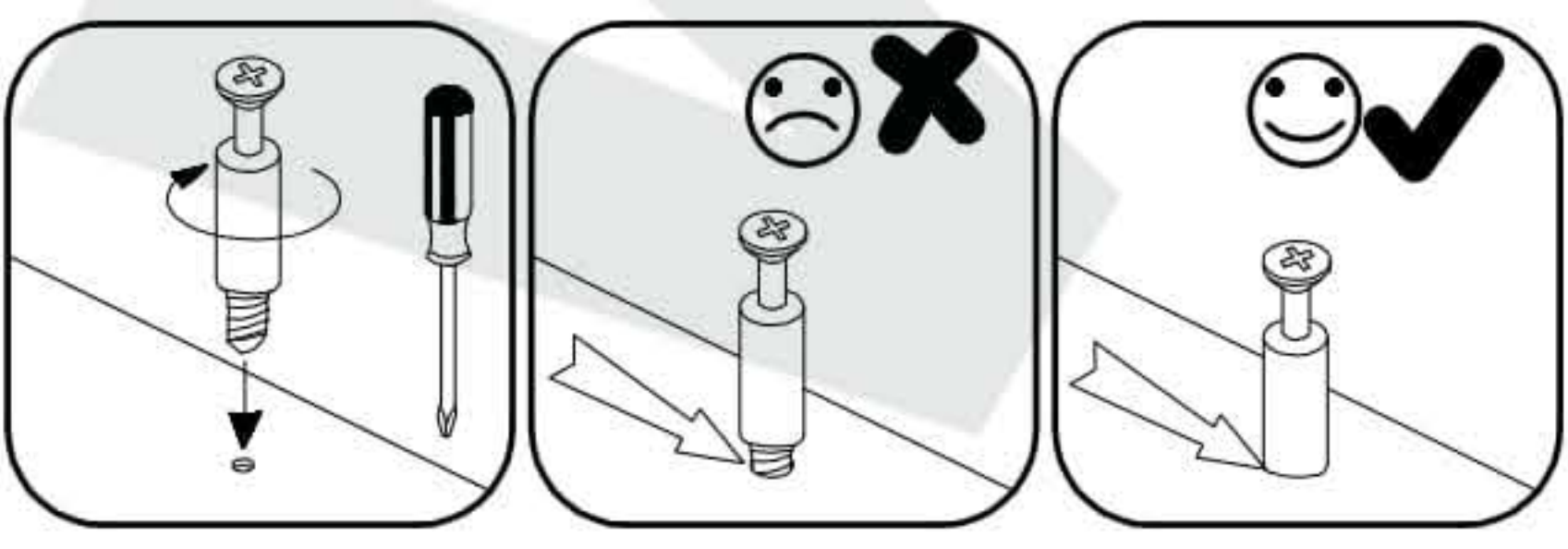
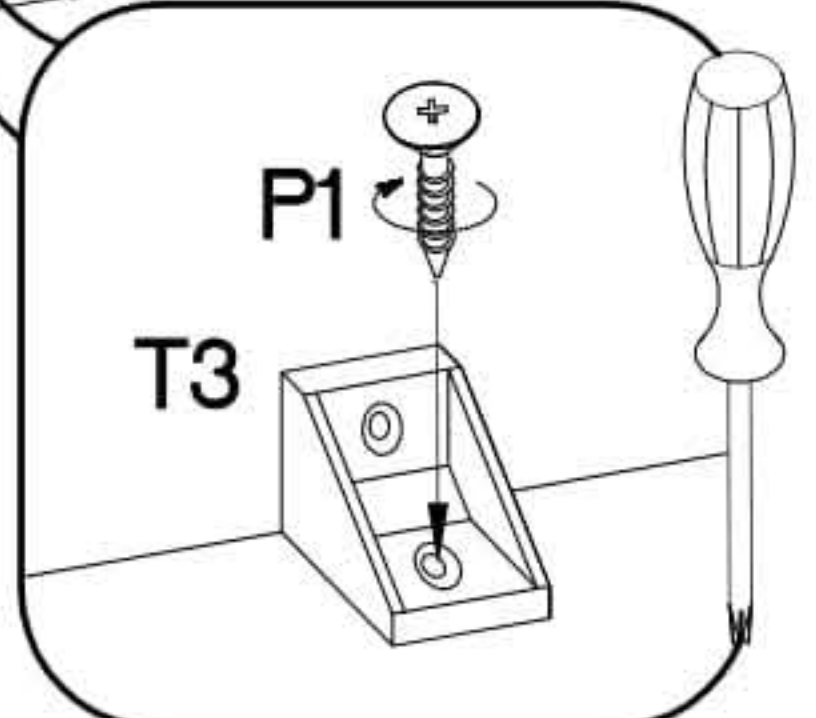
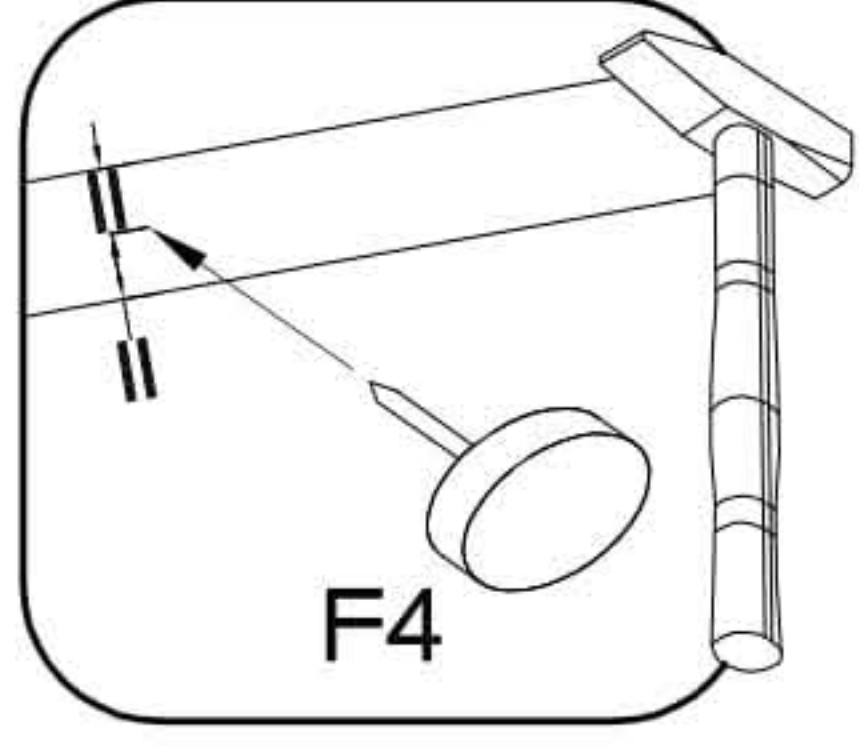
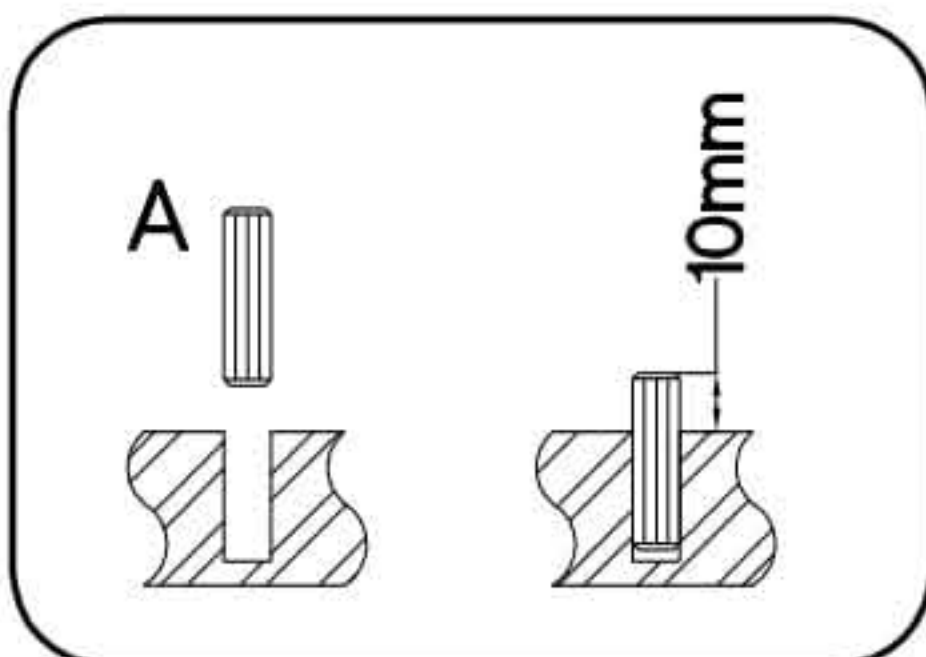
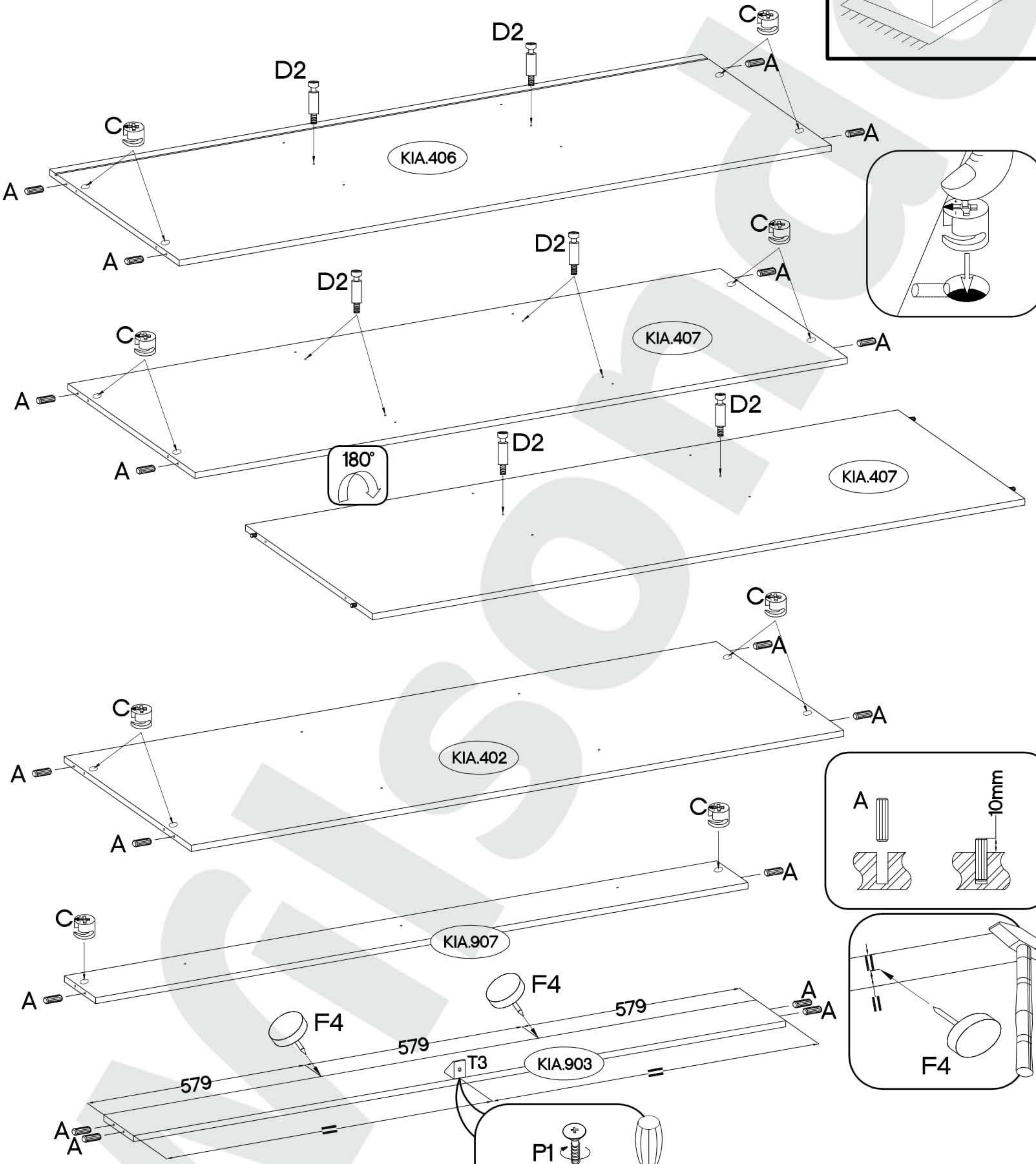
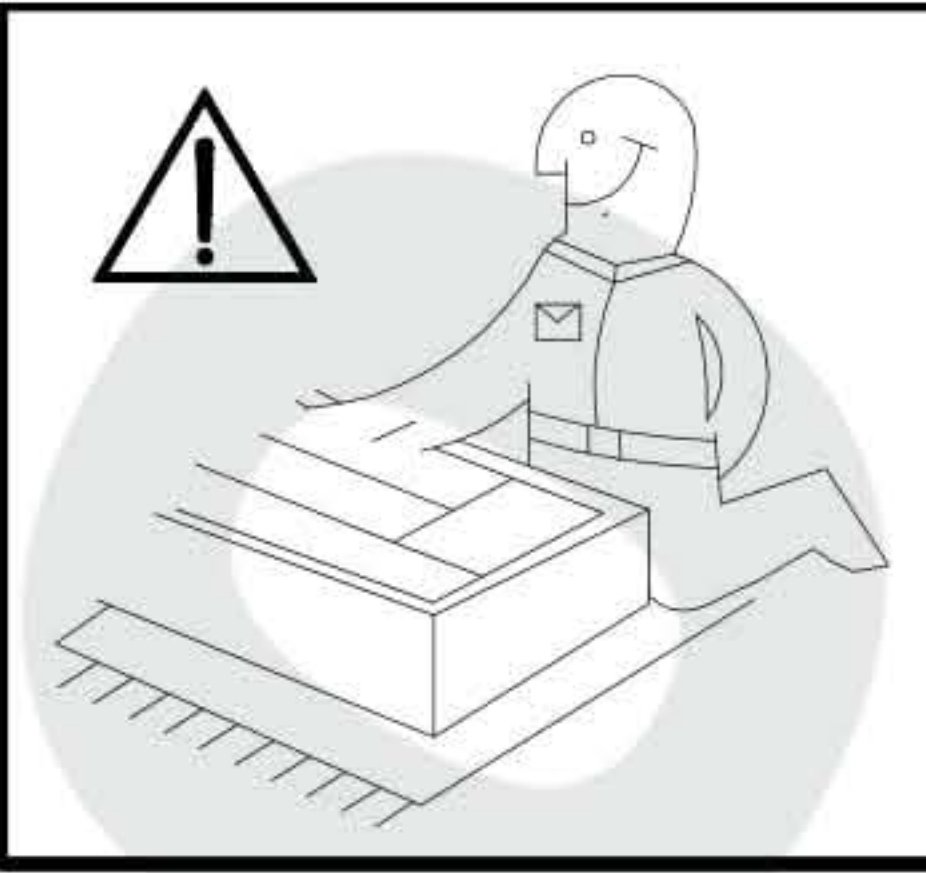
5



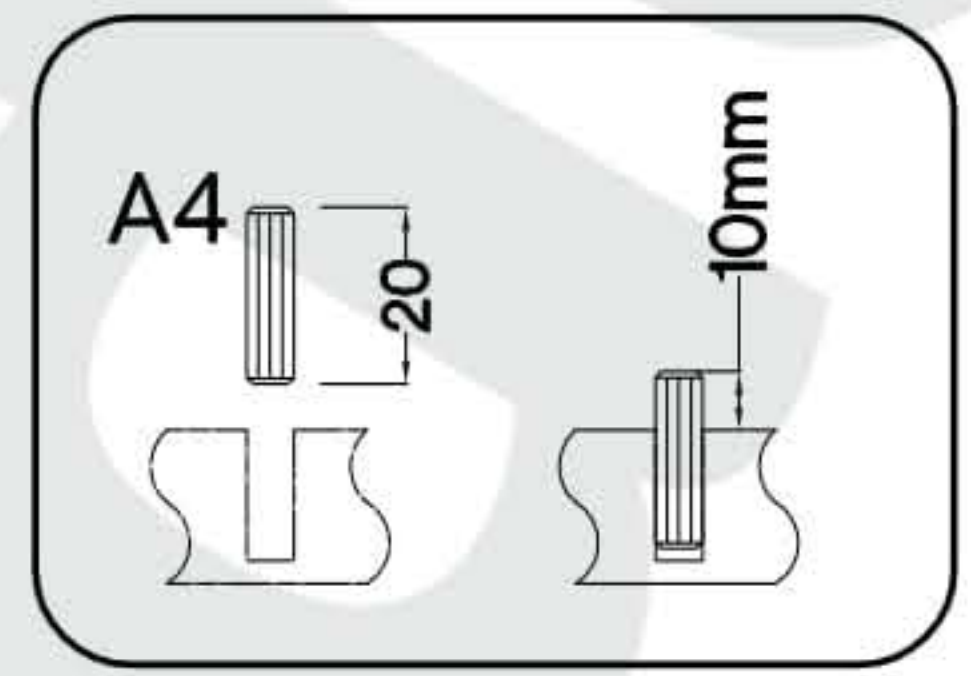
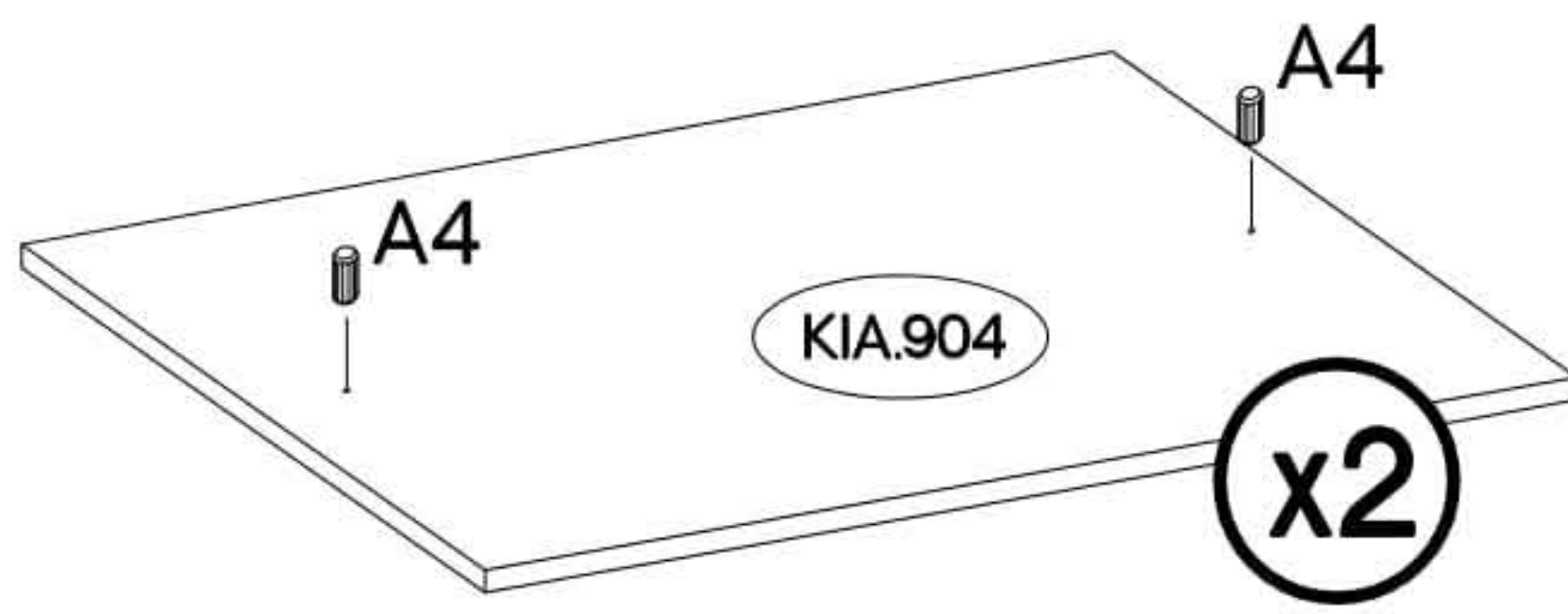
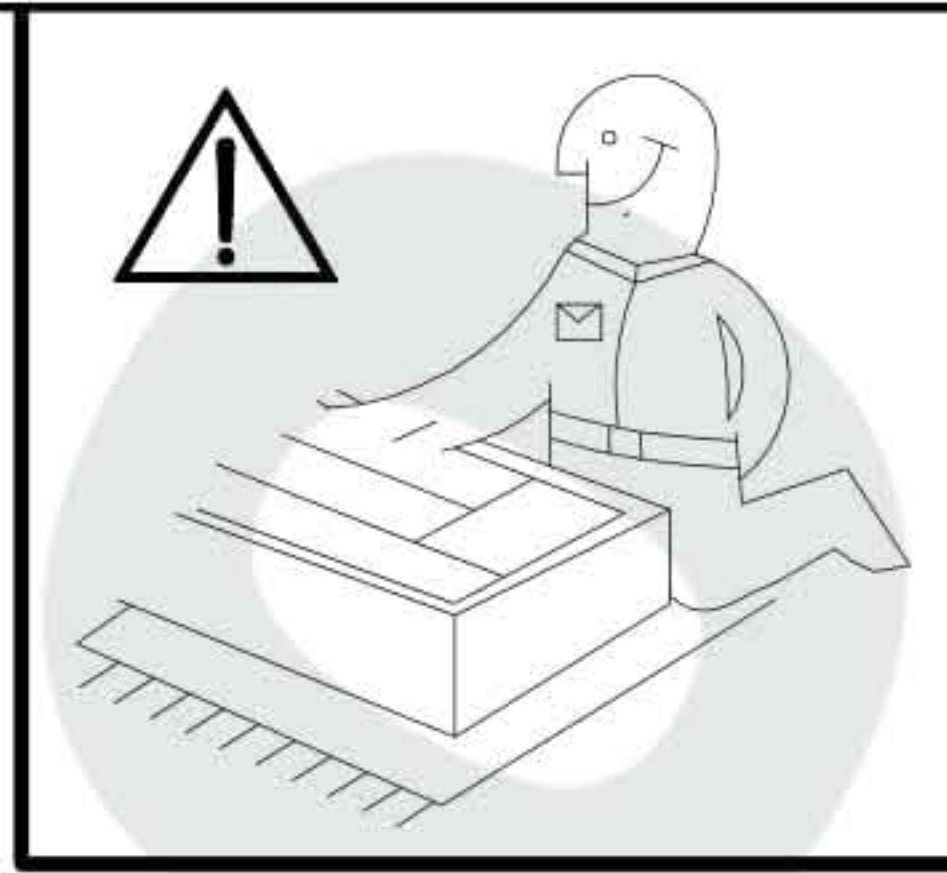
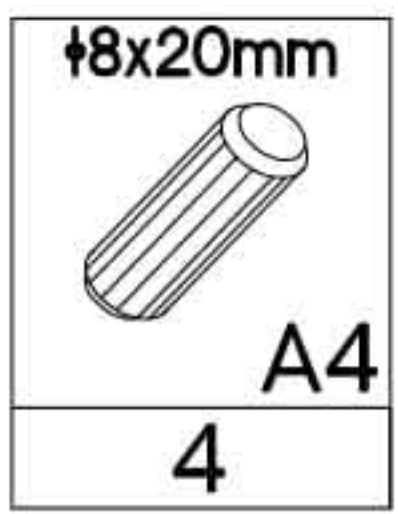
†8x30mm A 12	†8x60mm A2 2	L=20mm D2 14	†15/12mm C 8	6.5x48x16 F2 4	27/310mm I4 2	†6,3x13mm M2 8
---------------------------	---------------------------	---------------------------	---------------------------	-----------------------------	----------------------------	-----------------------------



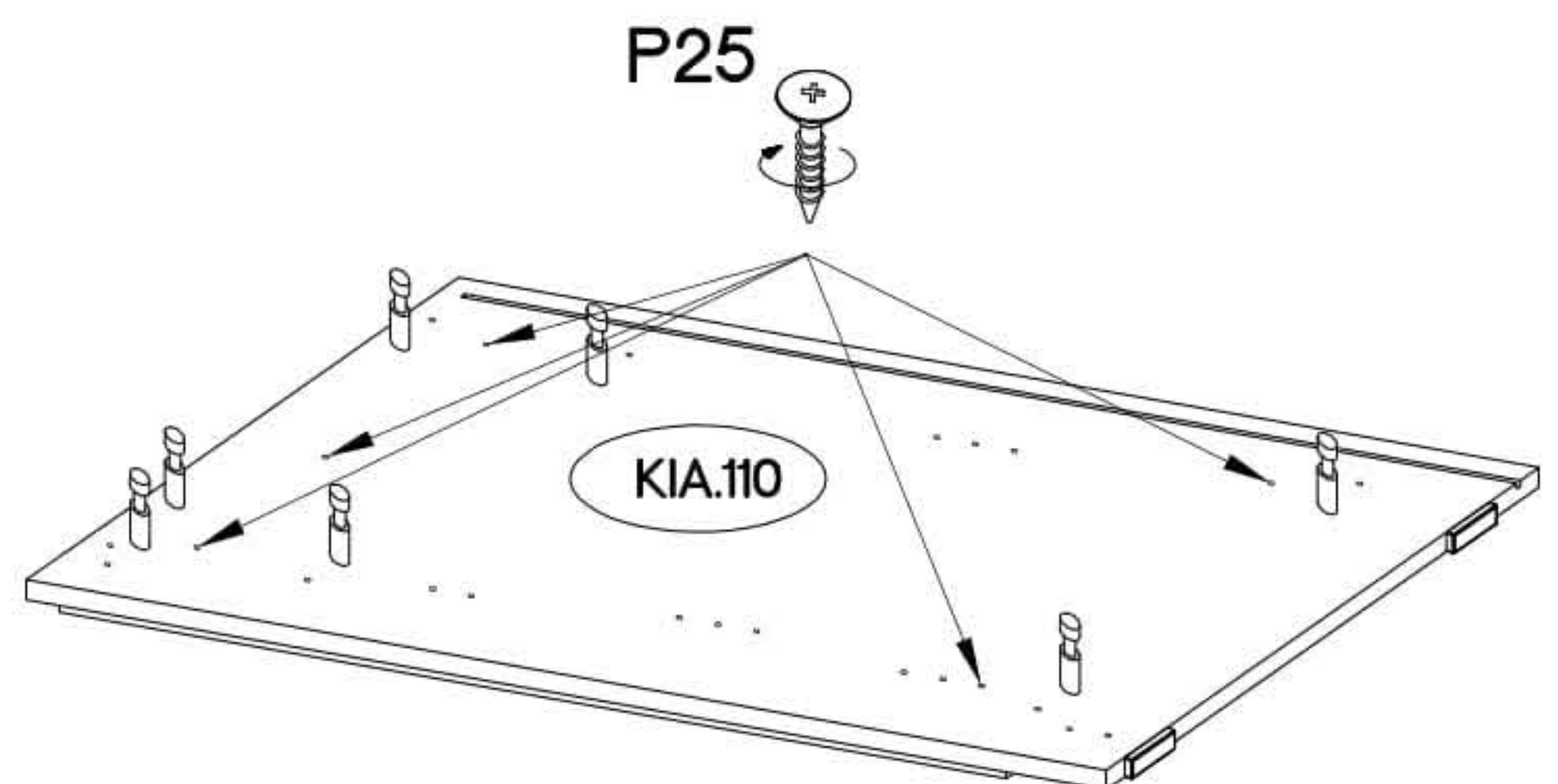
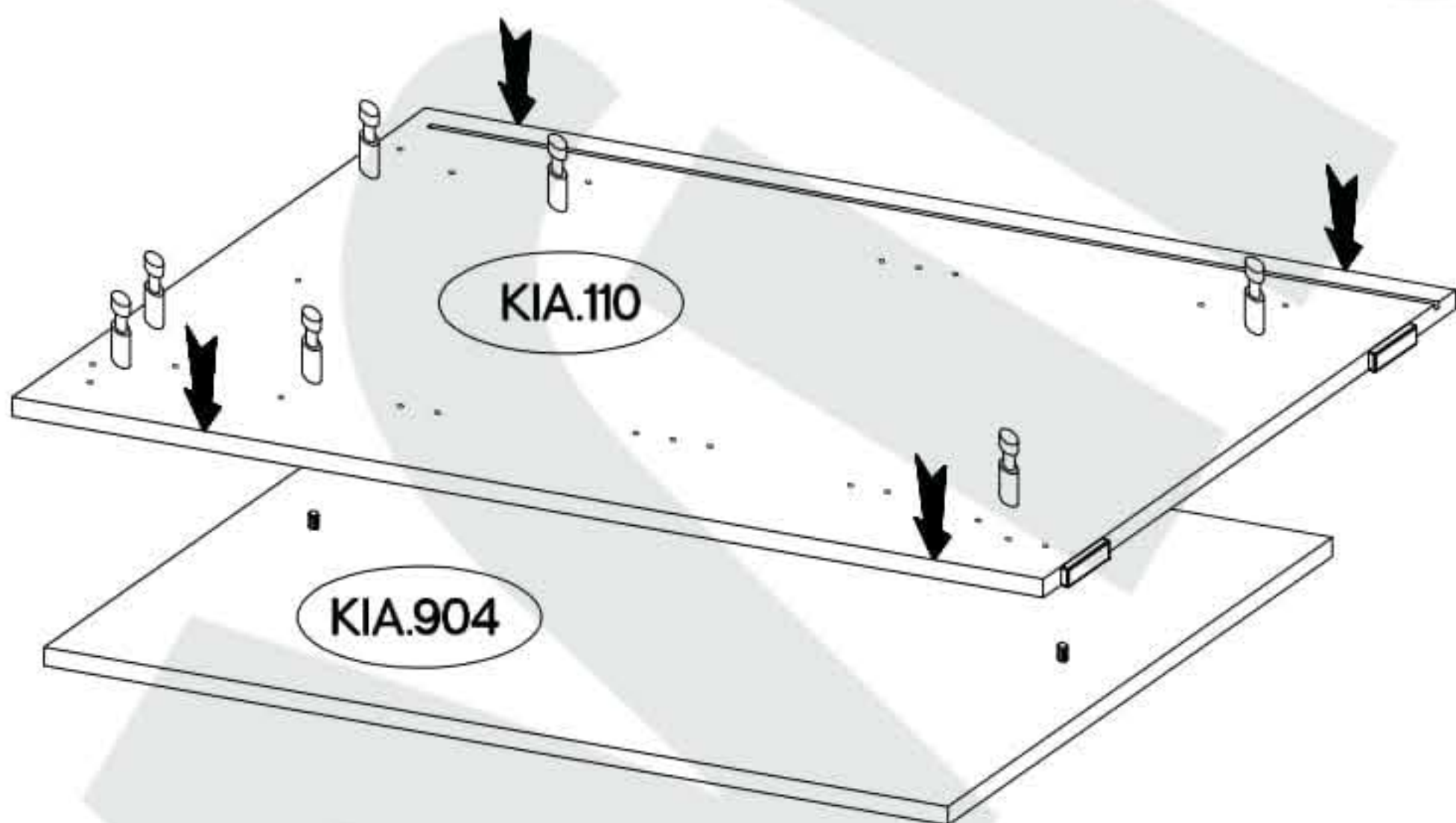
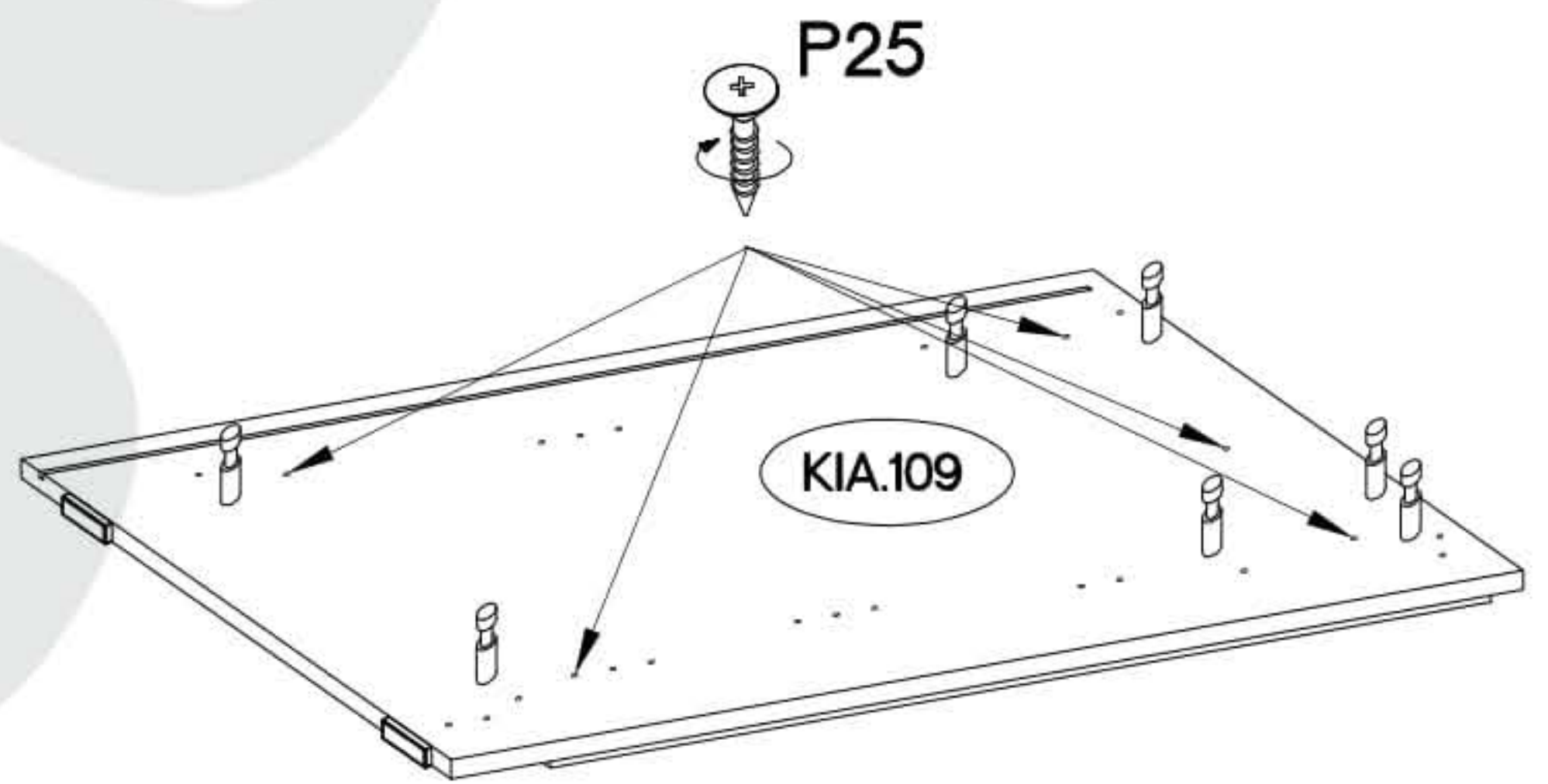
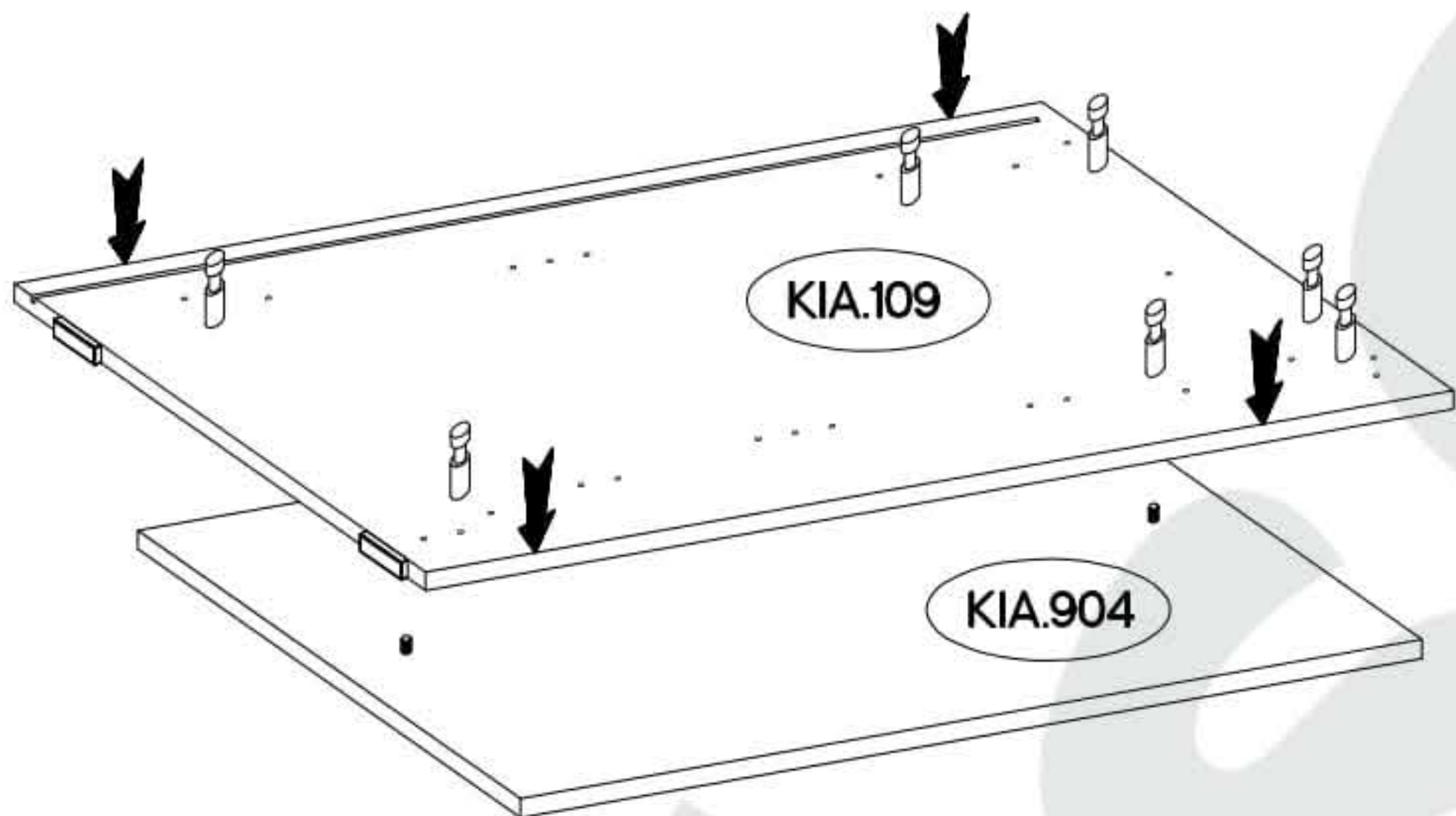
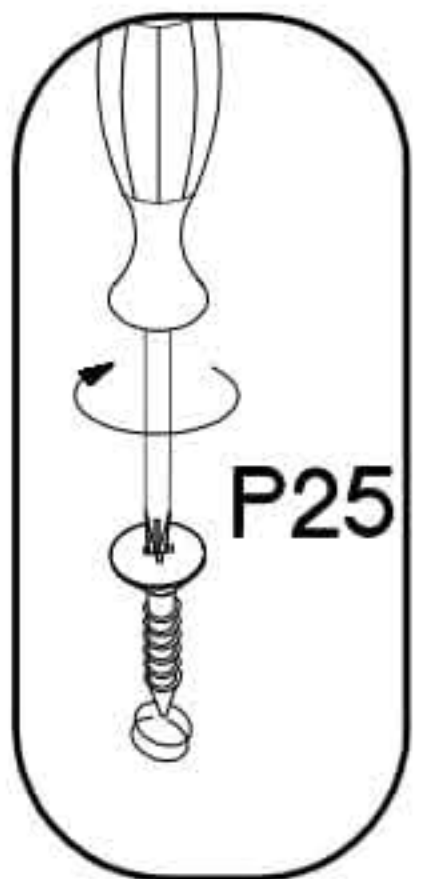
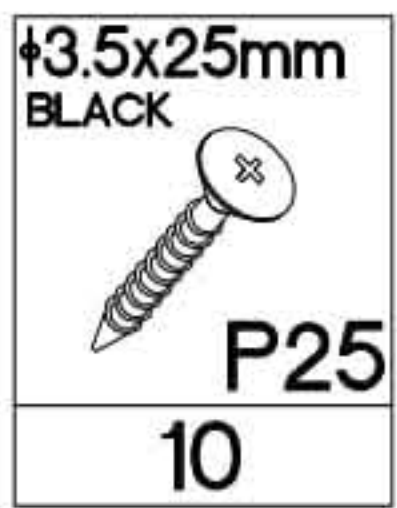
 †8x30mm A	 L=20mm D2	 †15/12mm C	 T3	 †4.0x16mm P1	 †15x5mm F4
18	8	14	1	1	2



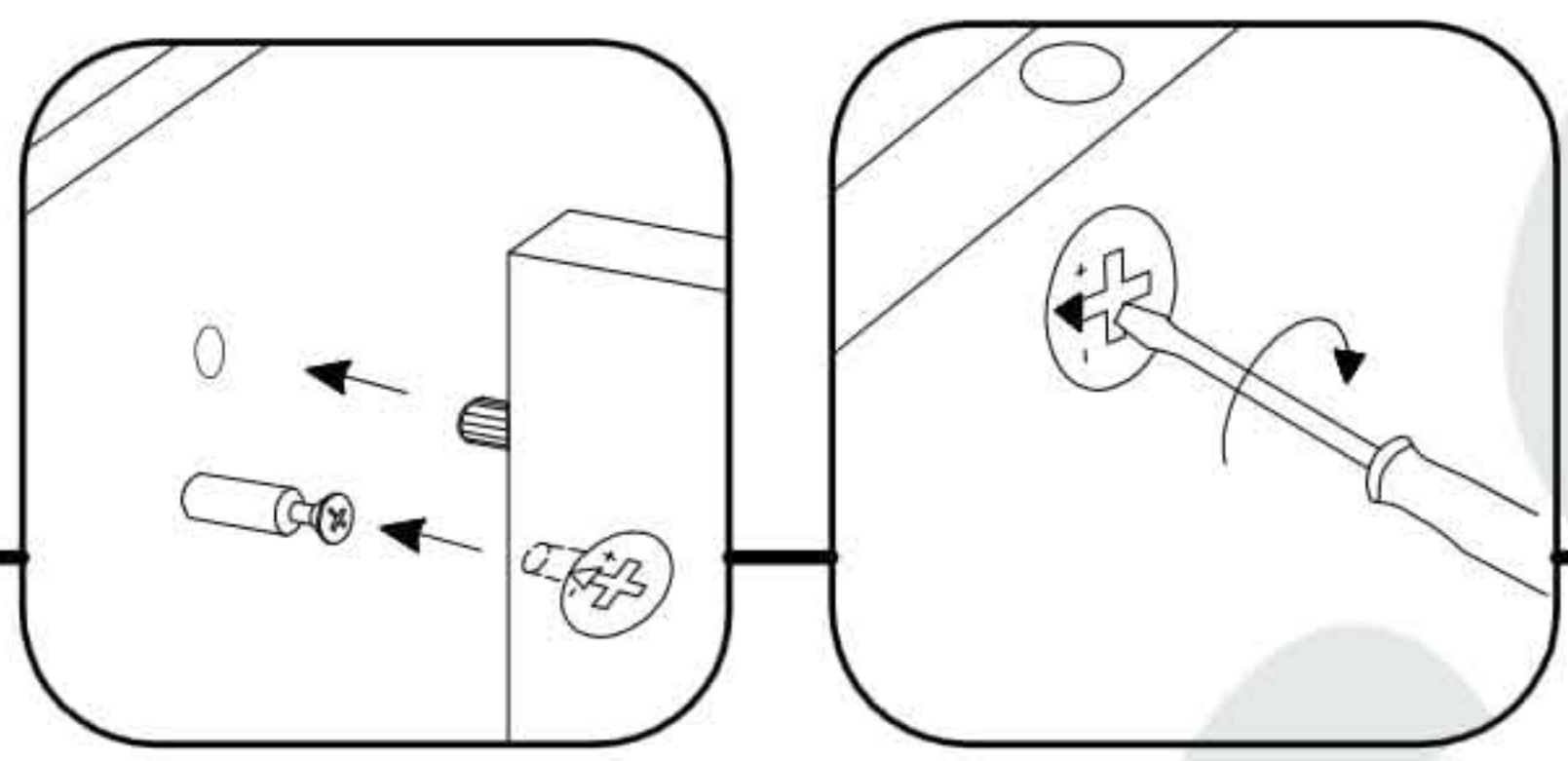
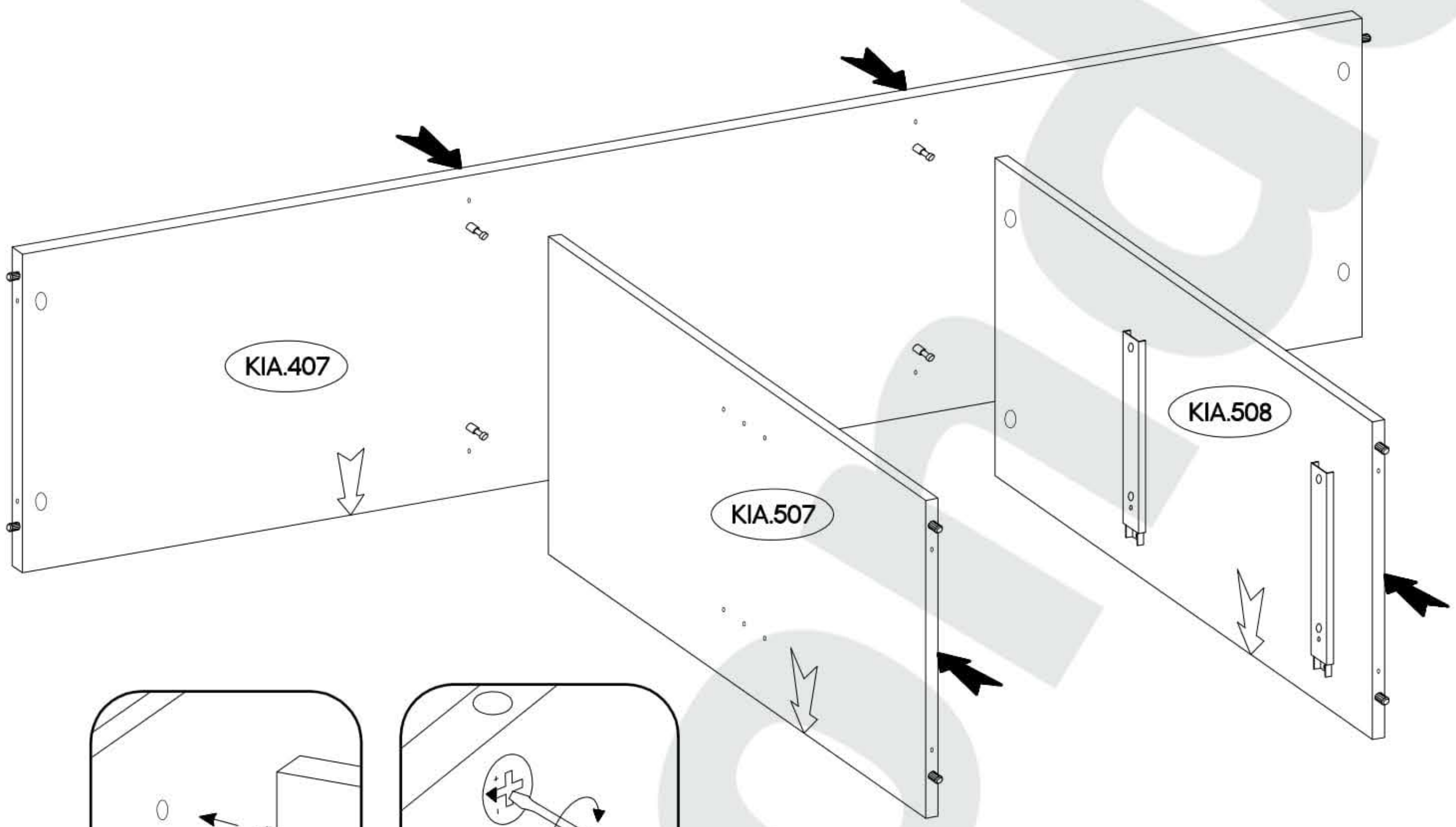
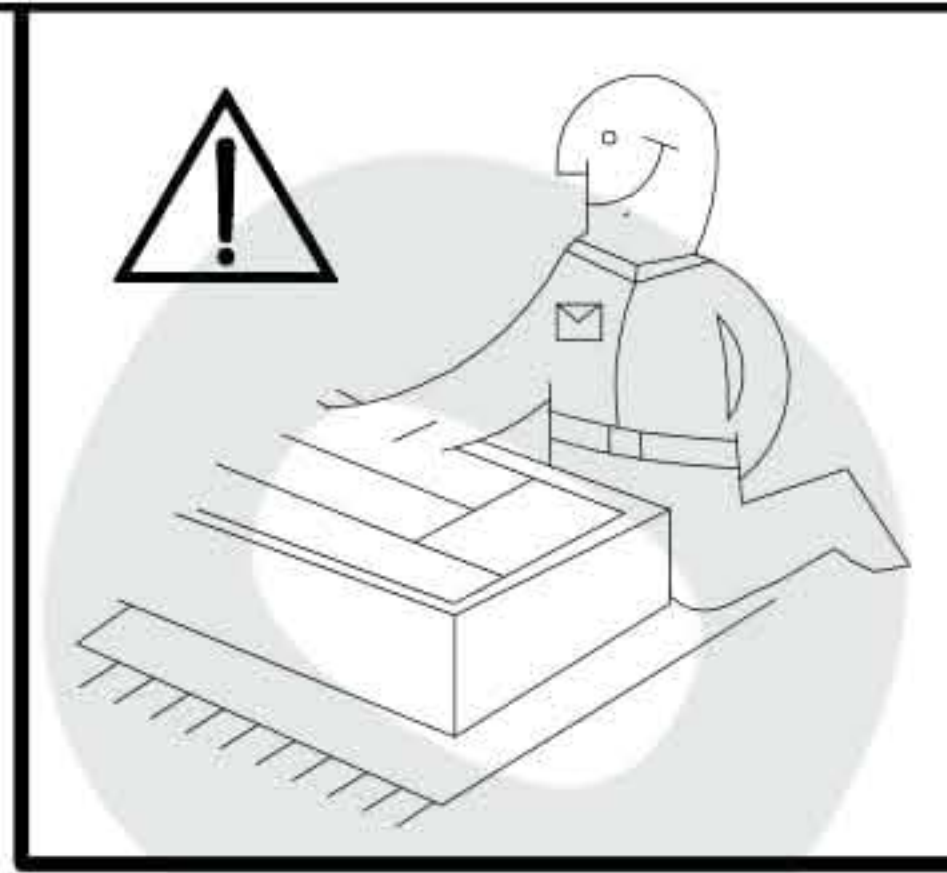
8



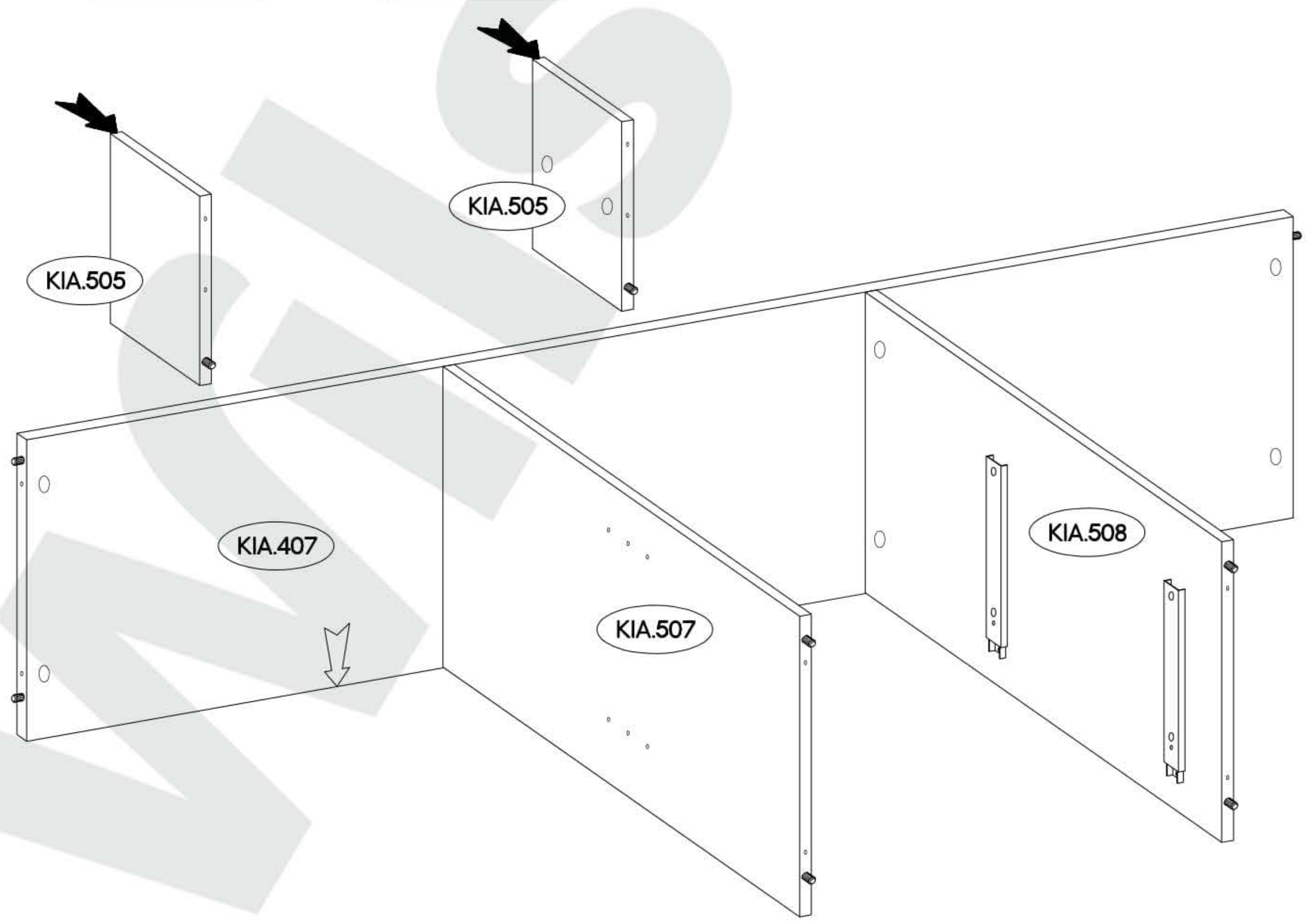
9



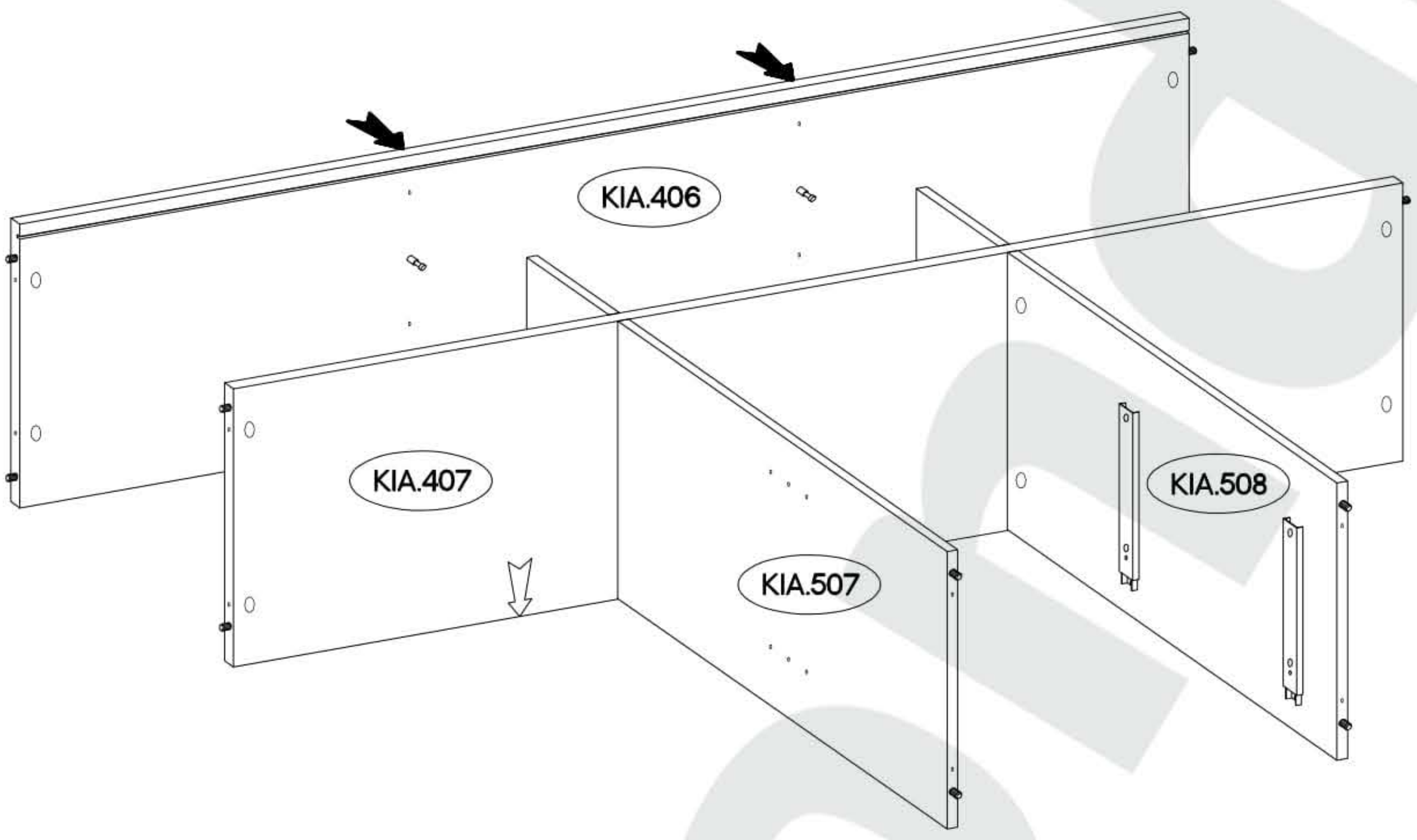
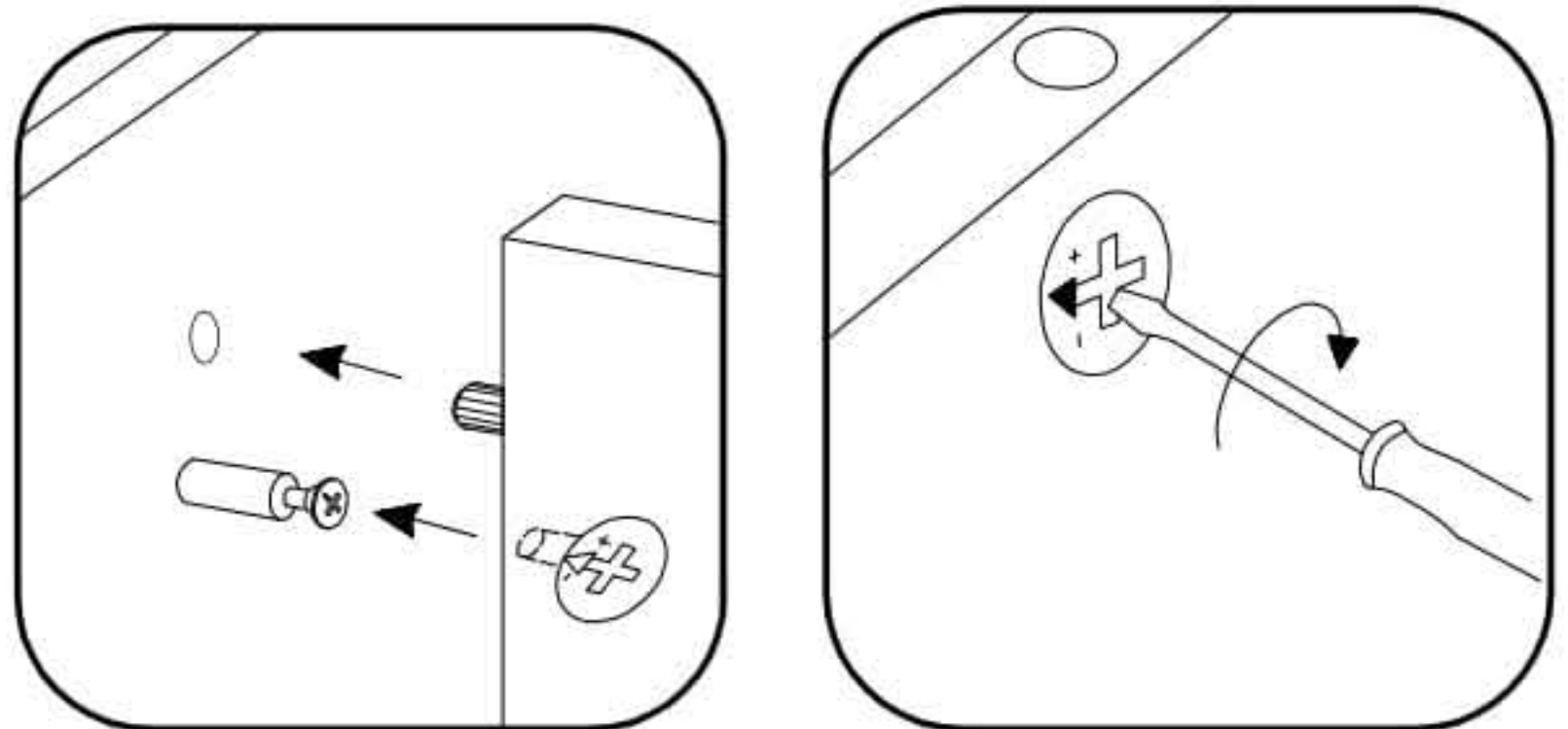
10





11

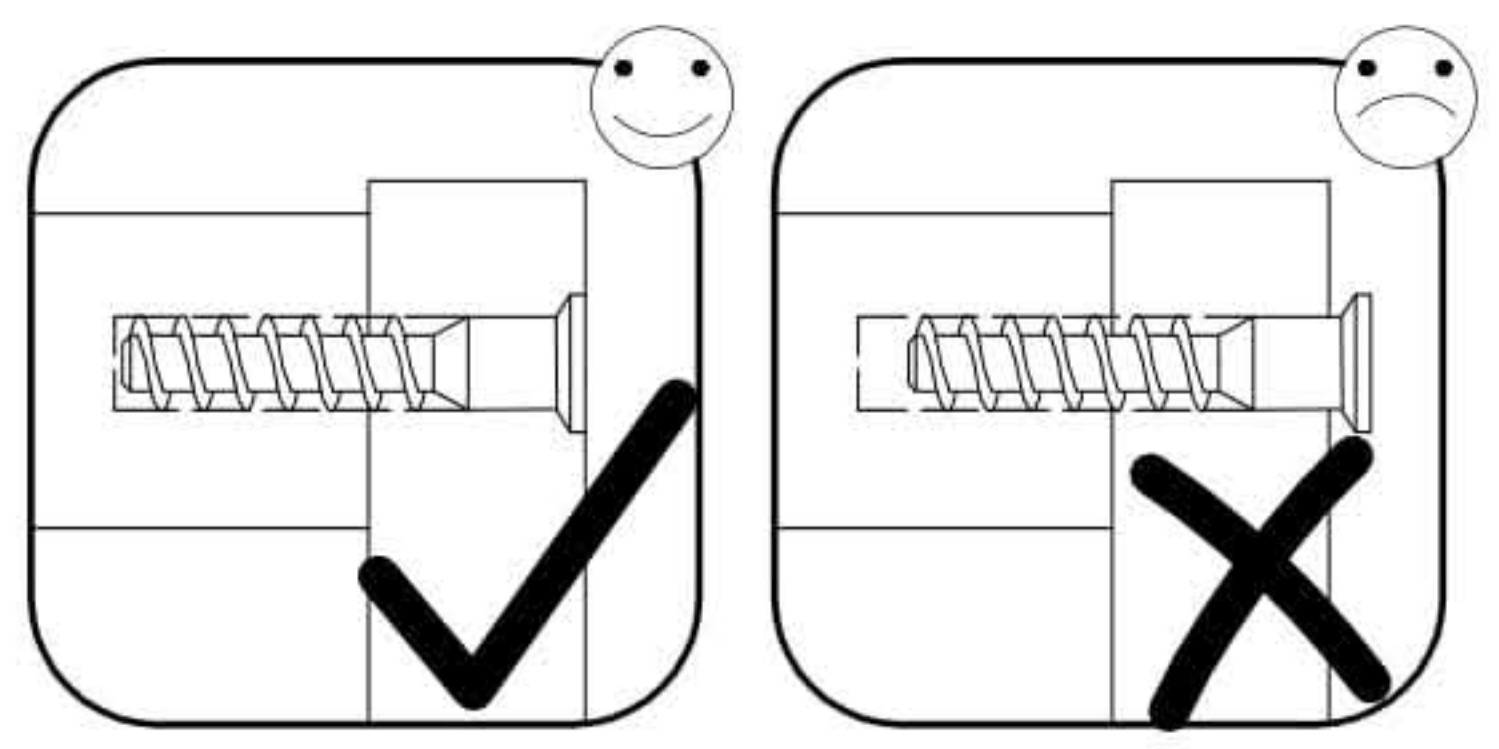
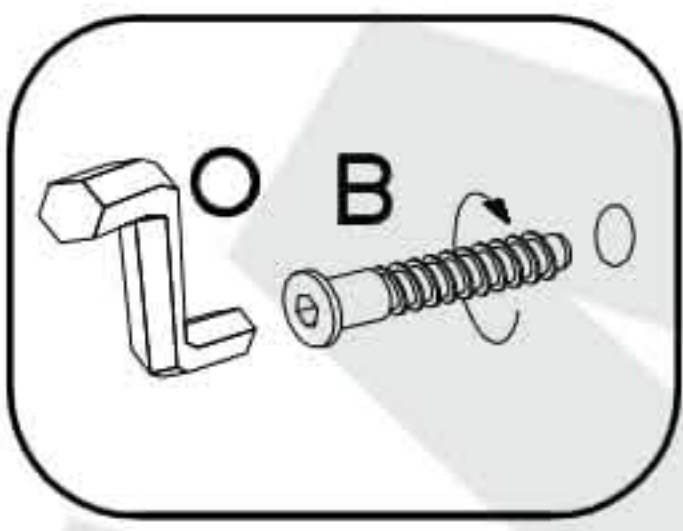
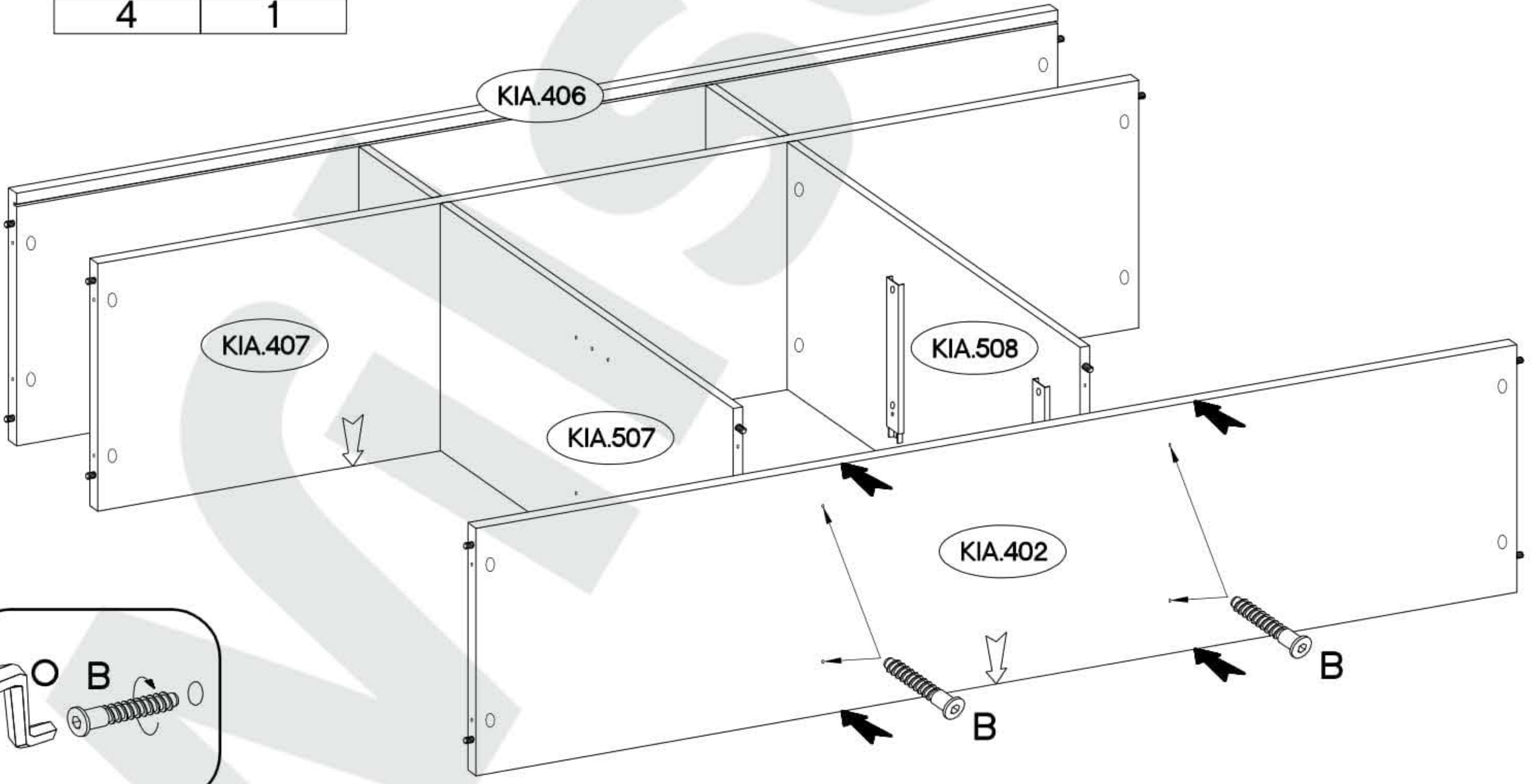


12

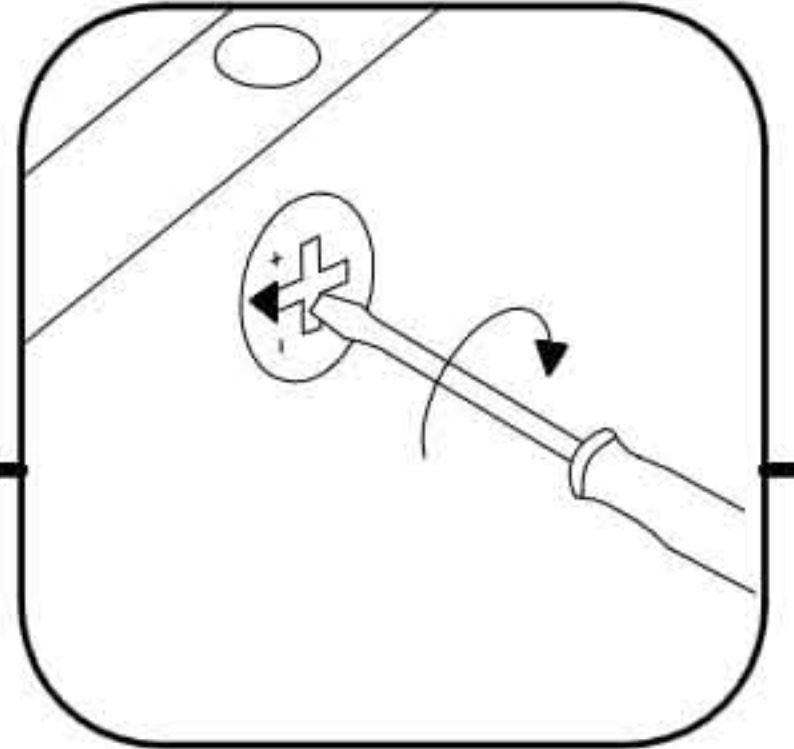
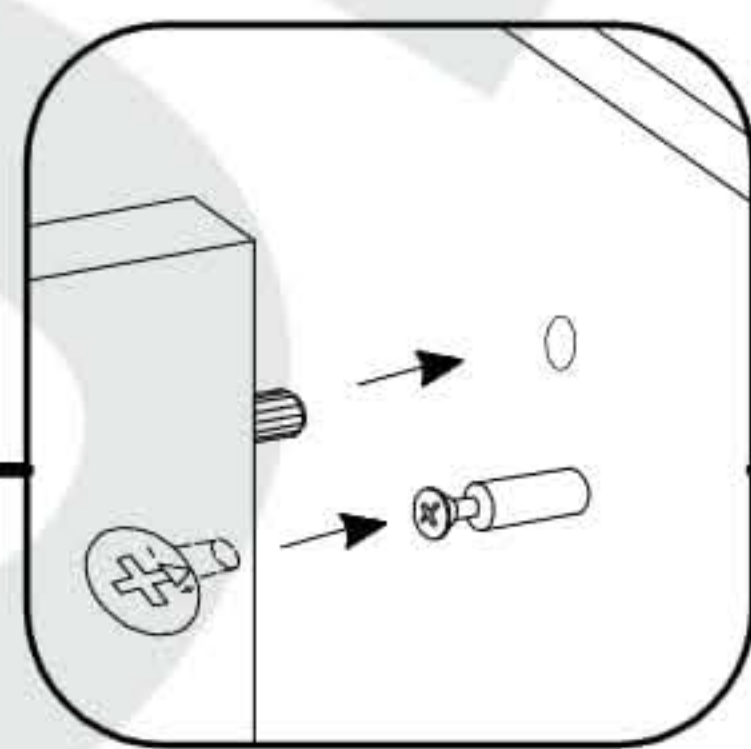
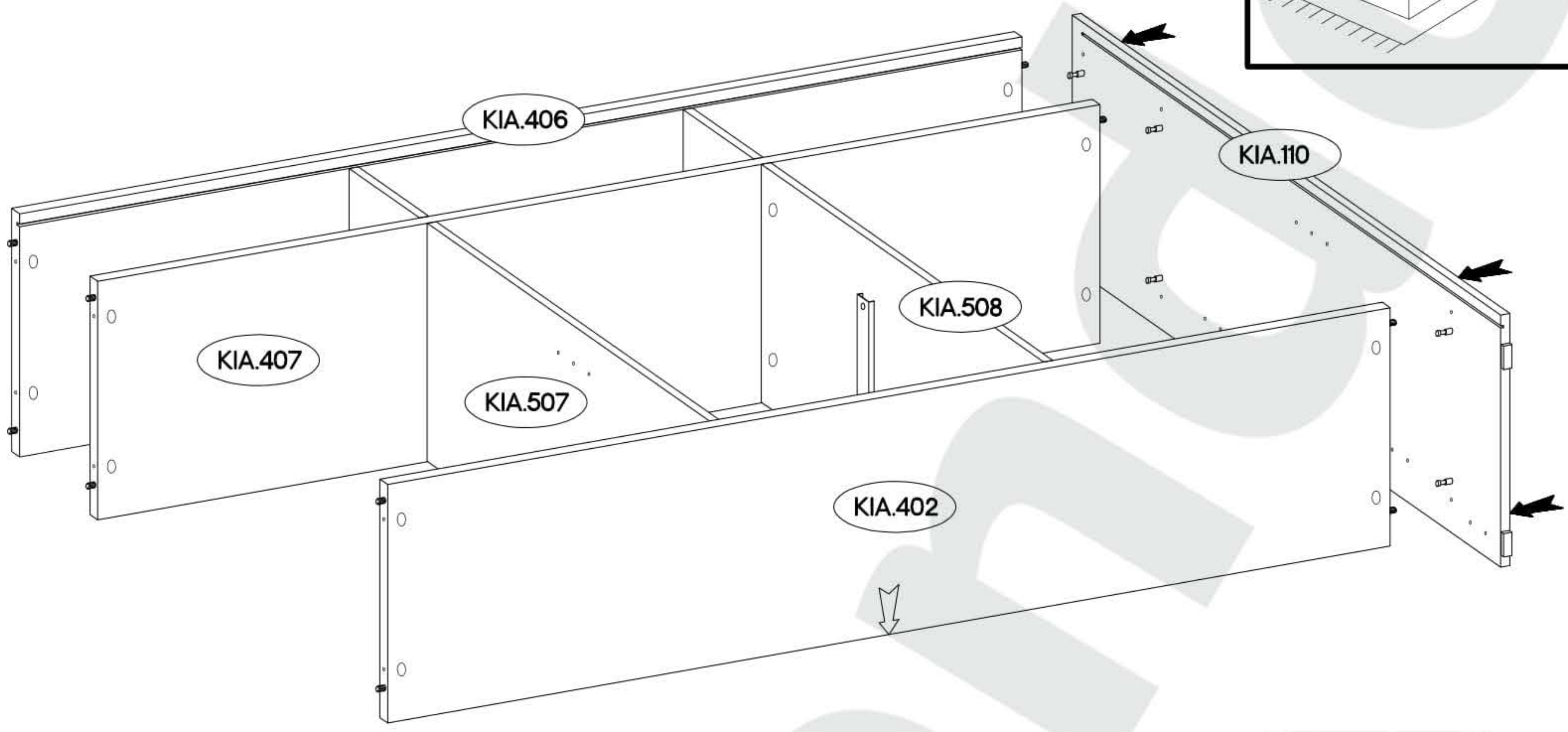
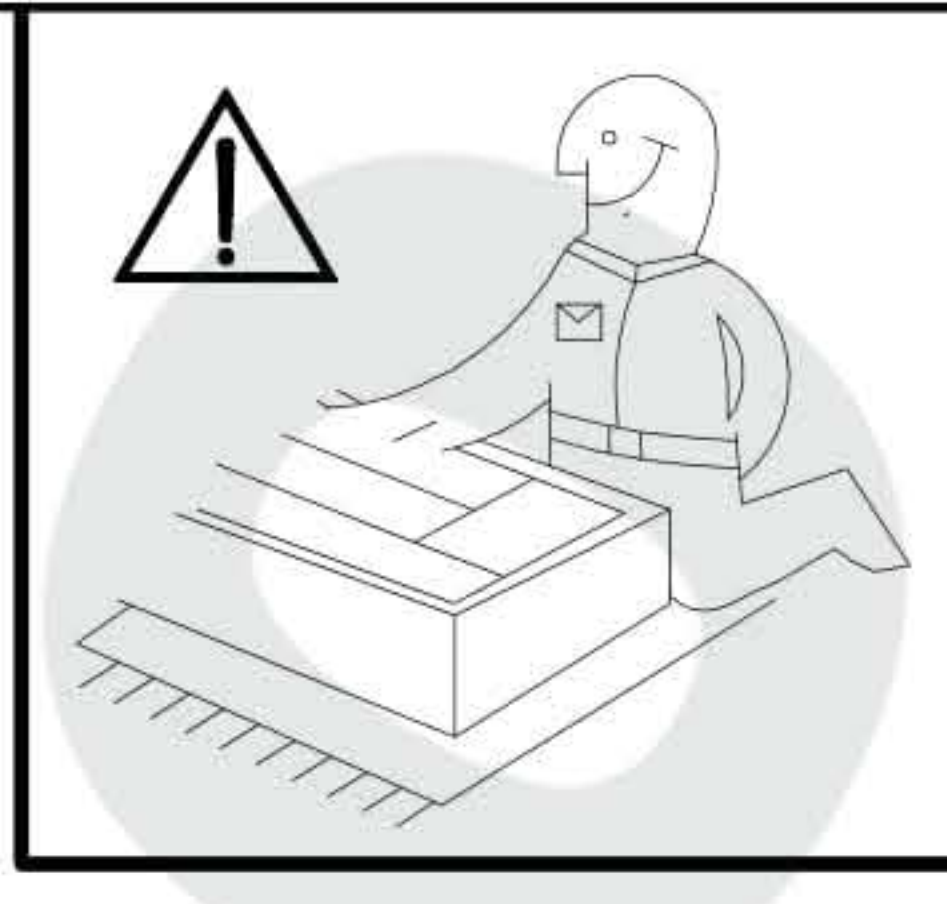


13

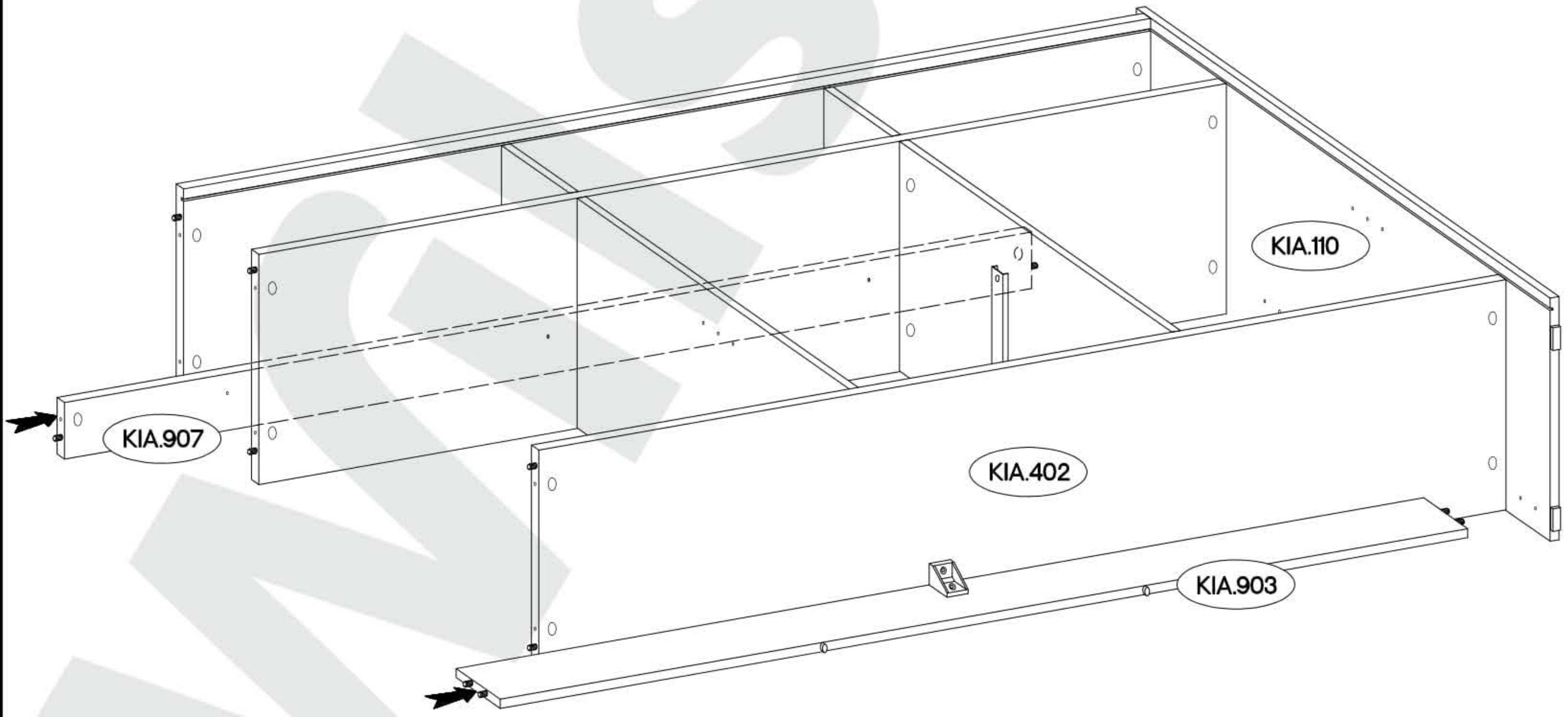
6,4 x 50mm	
	
B	O
4	1



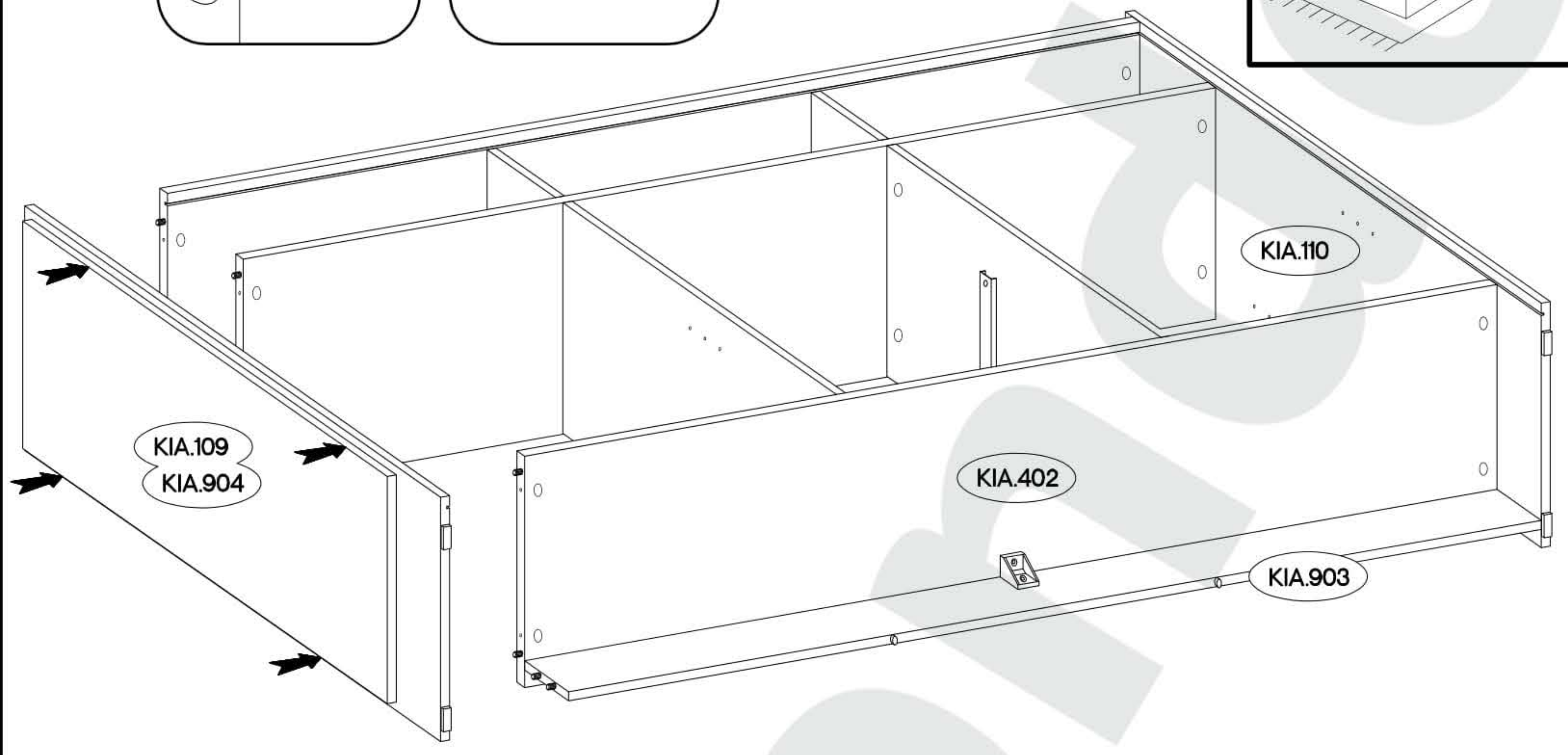
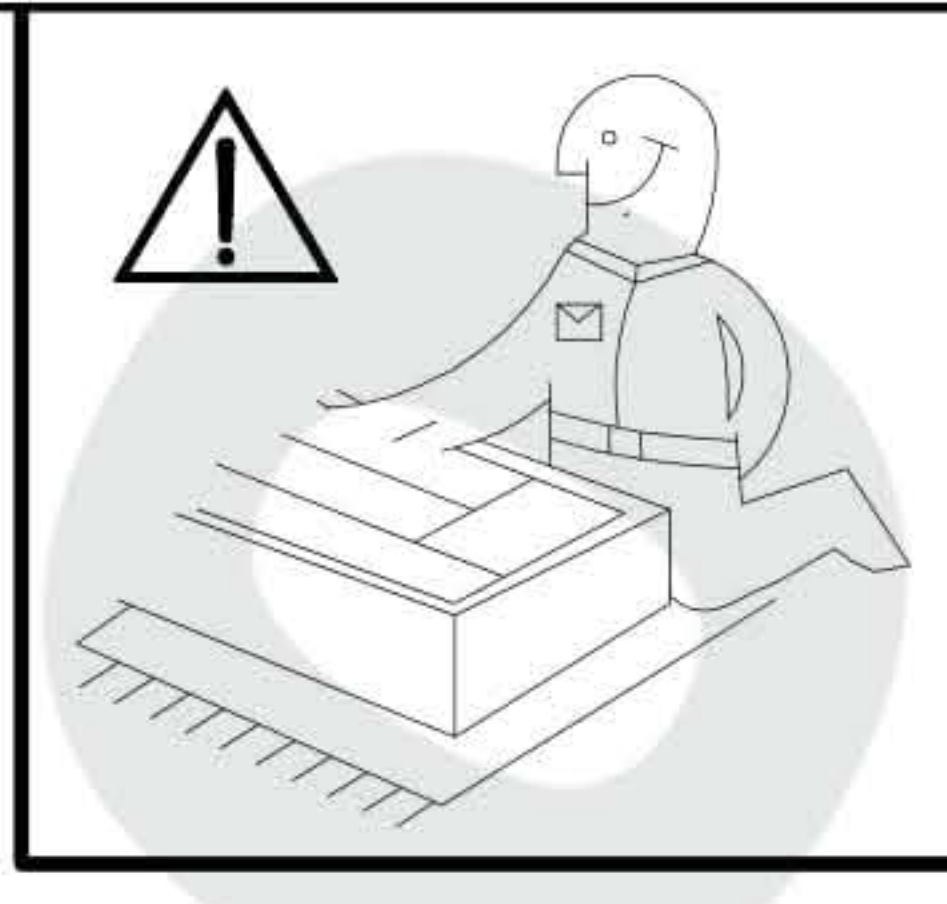
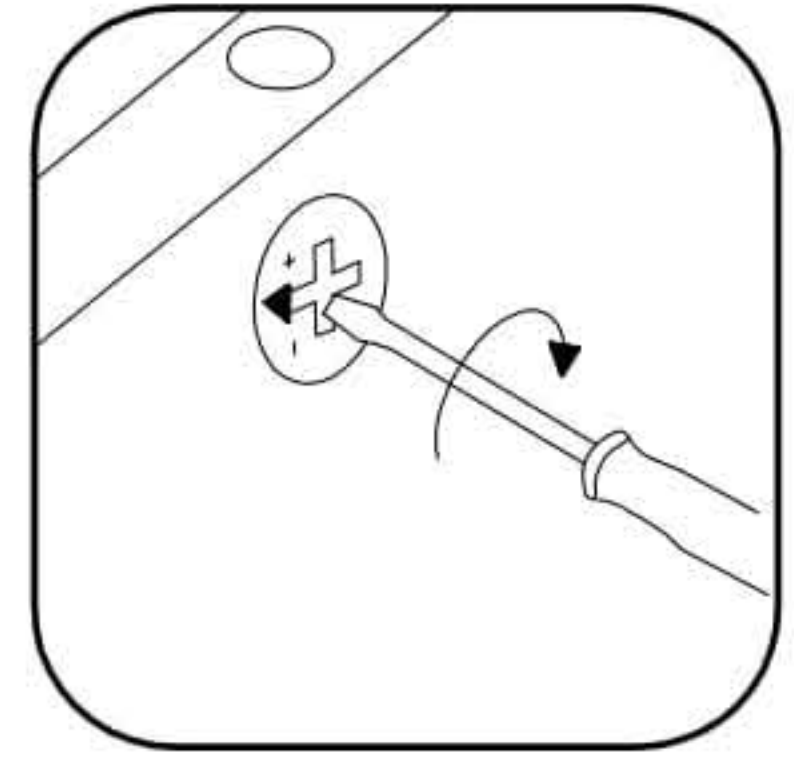
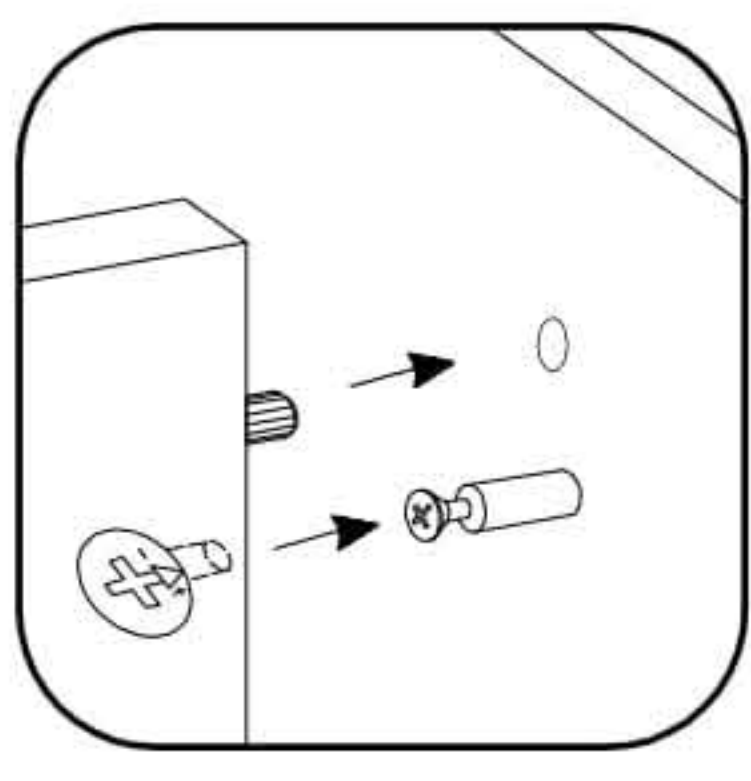
14



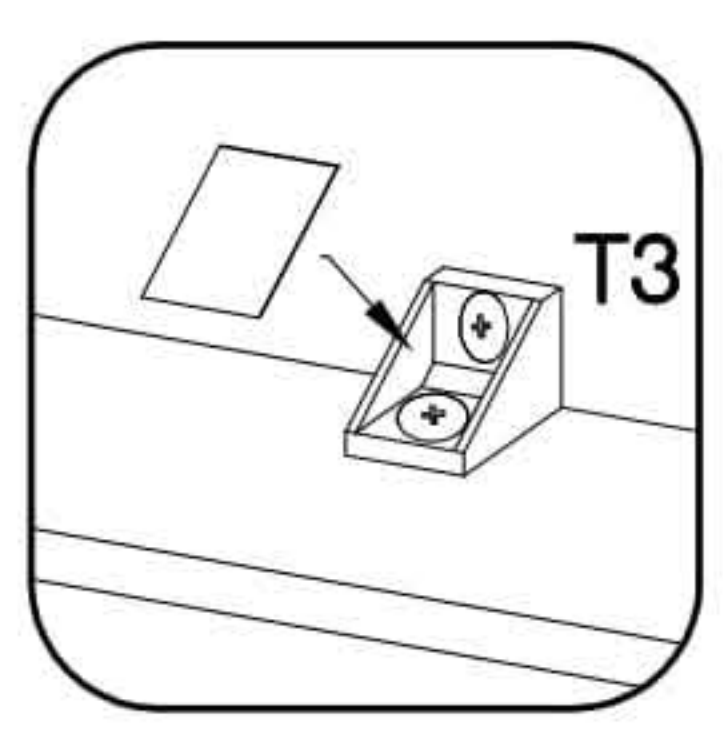
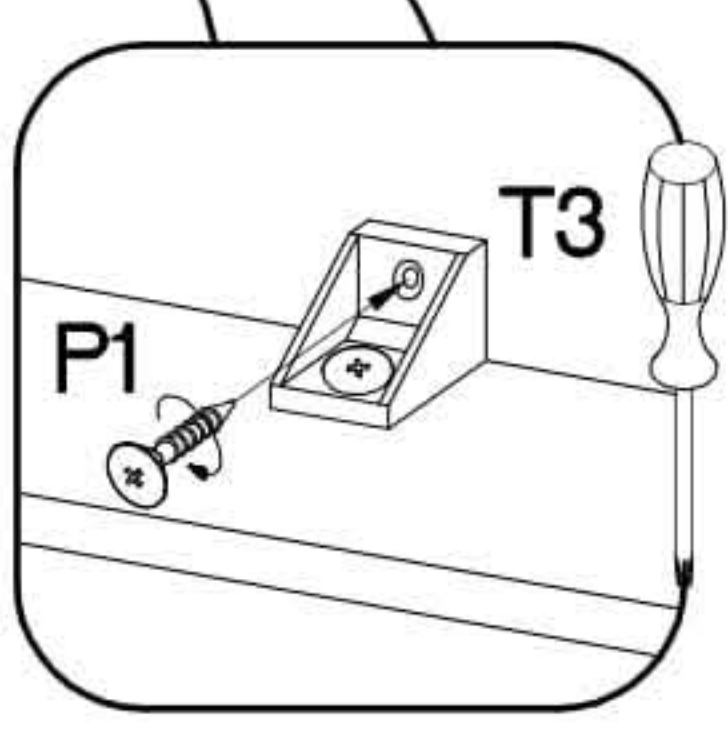
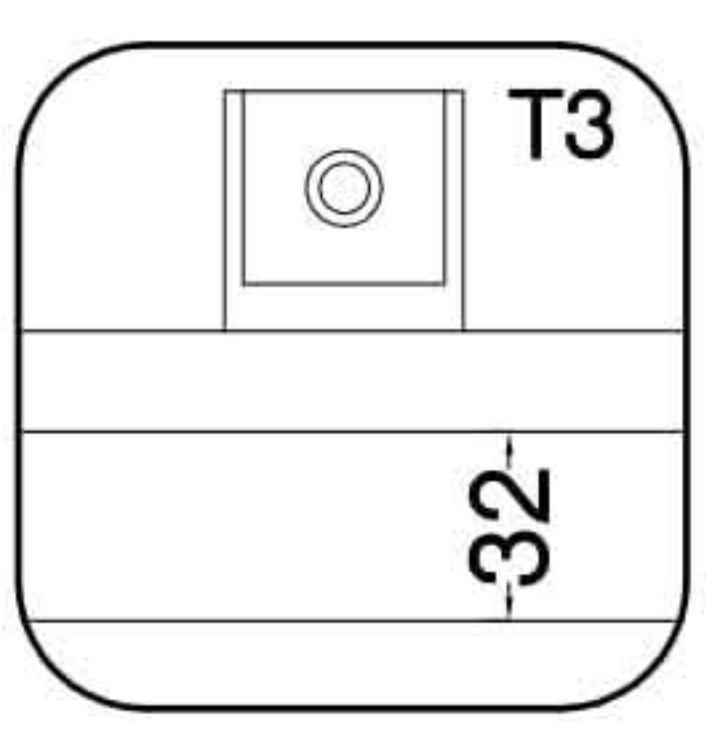
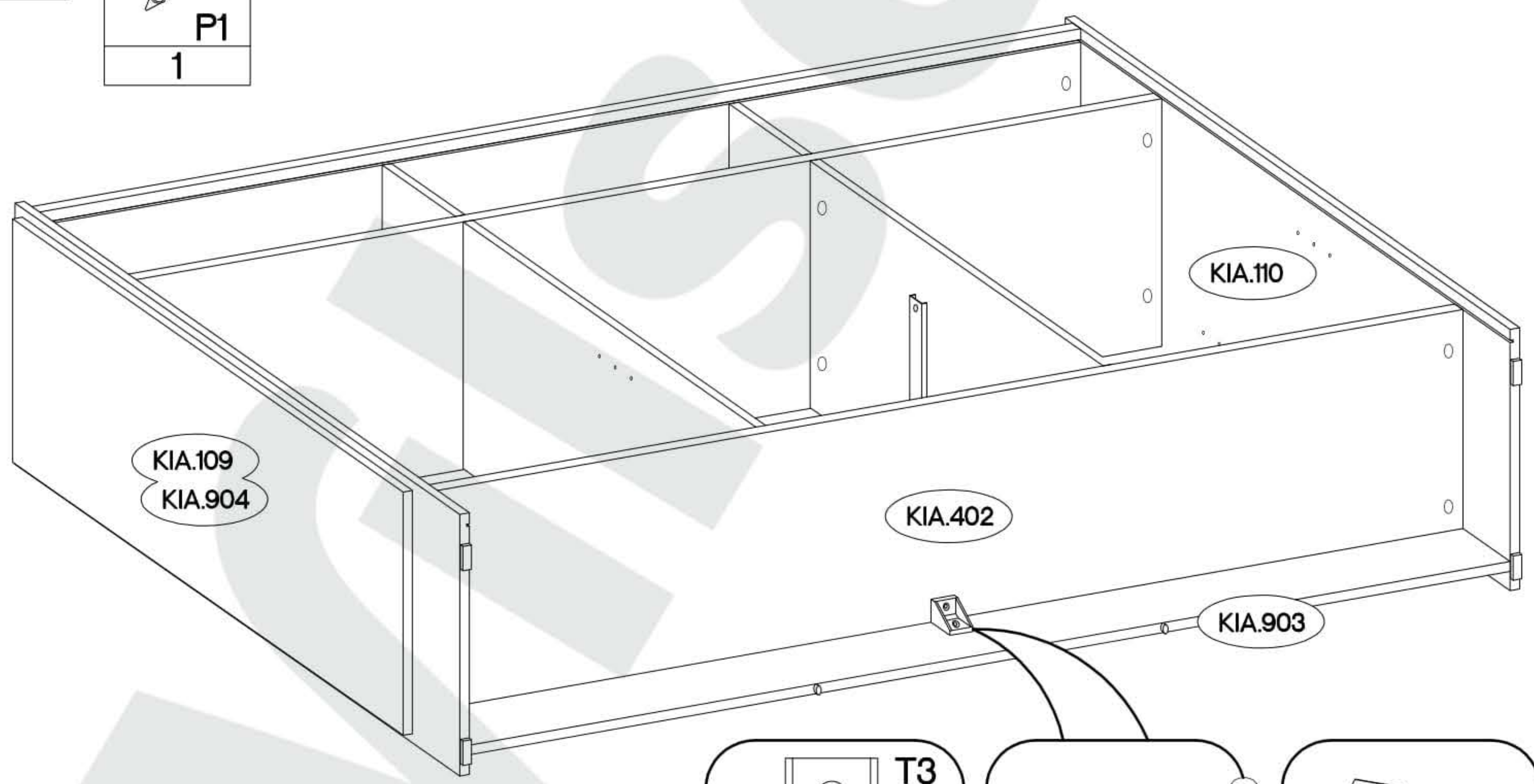
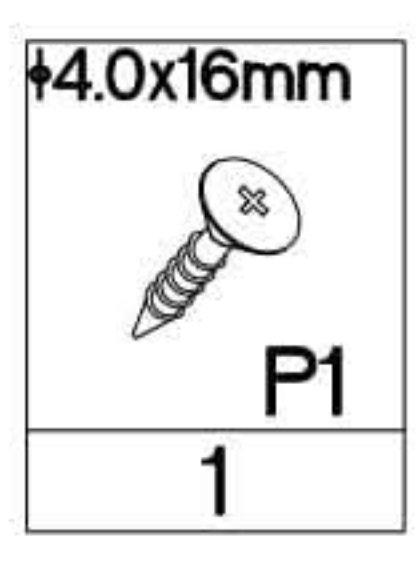
15


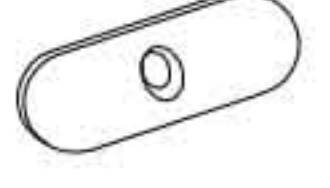
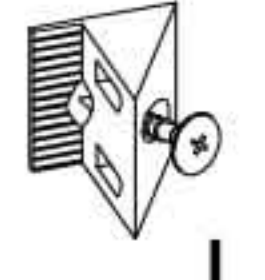


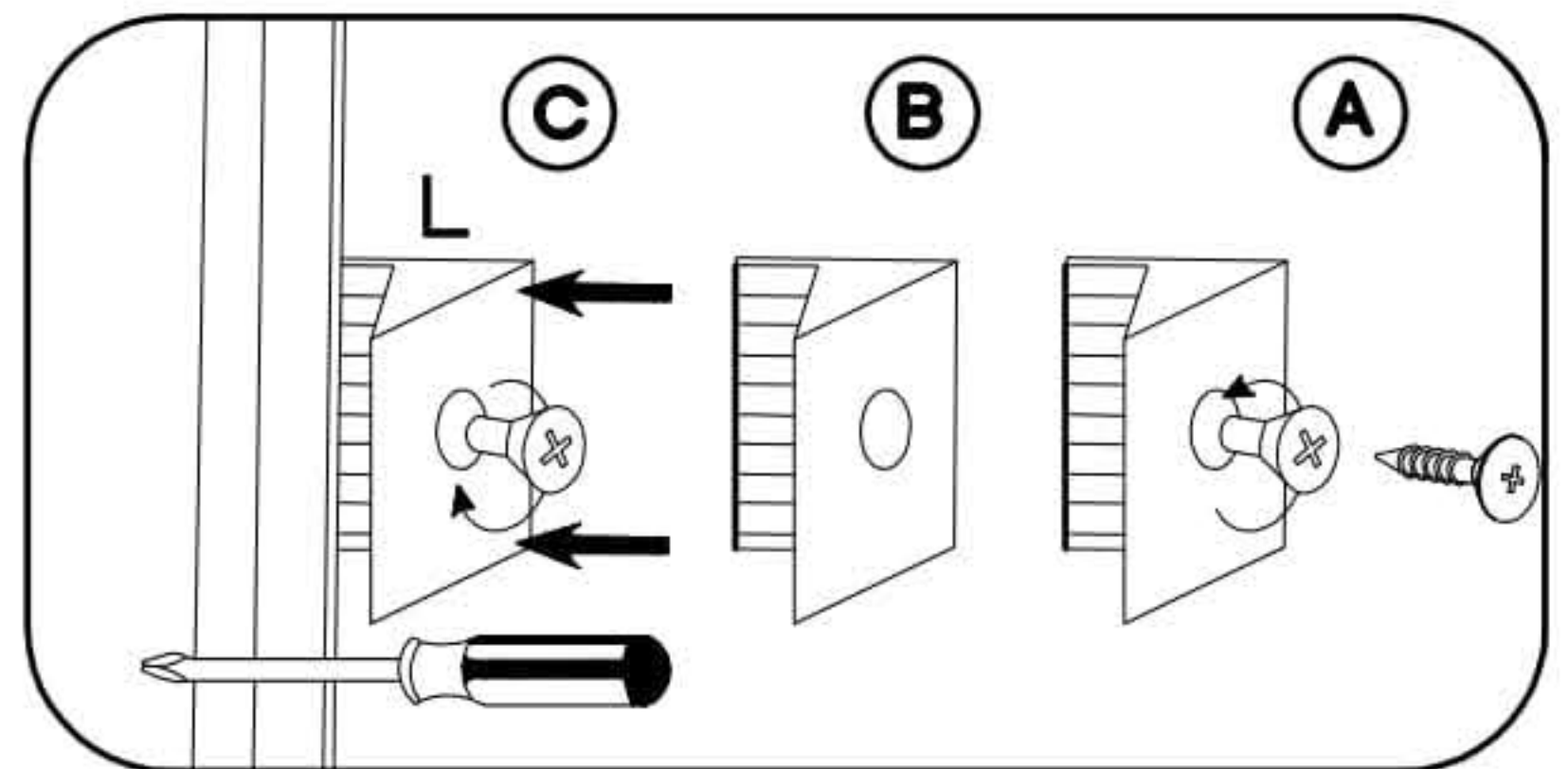
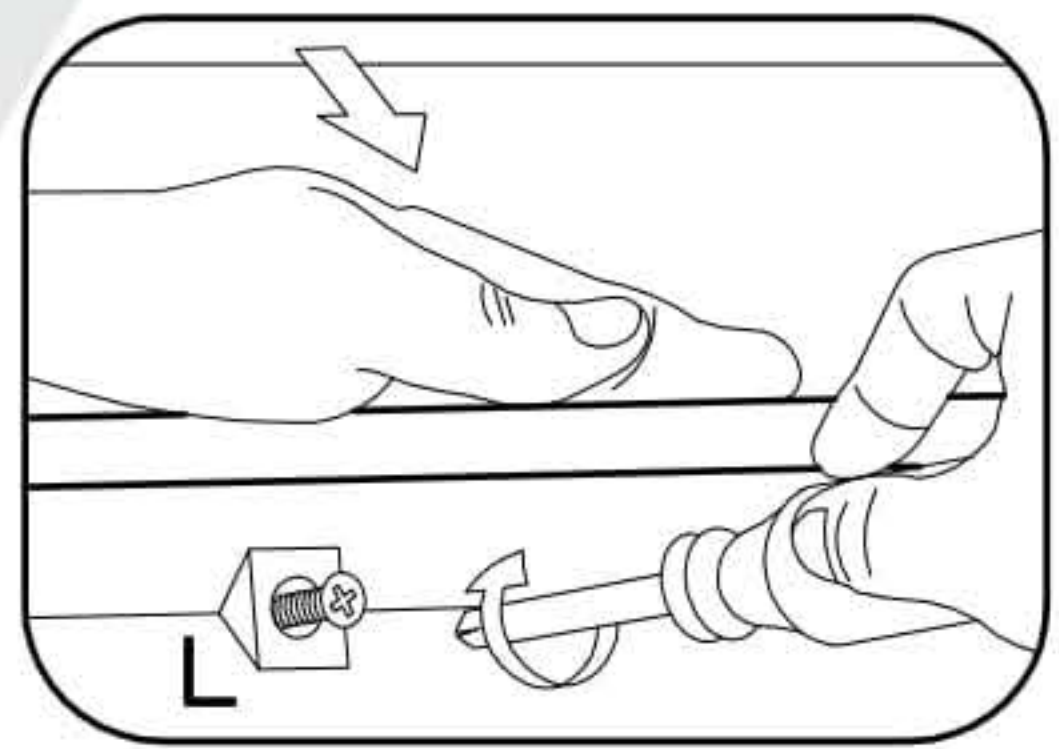
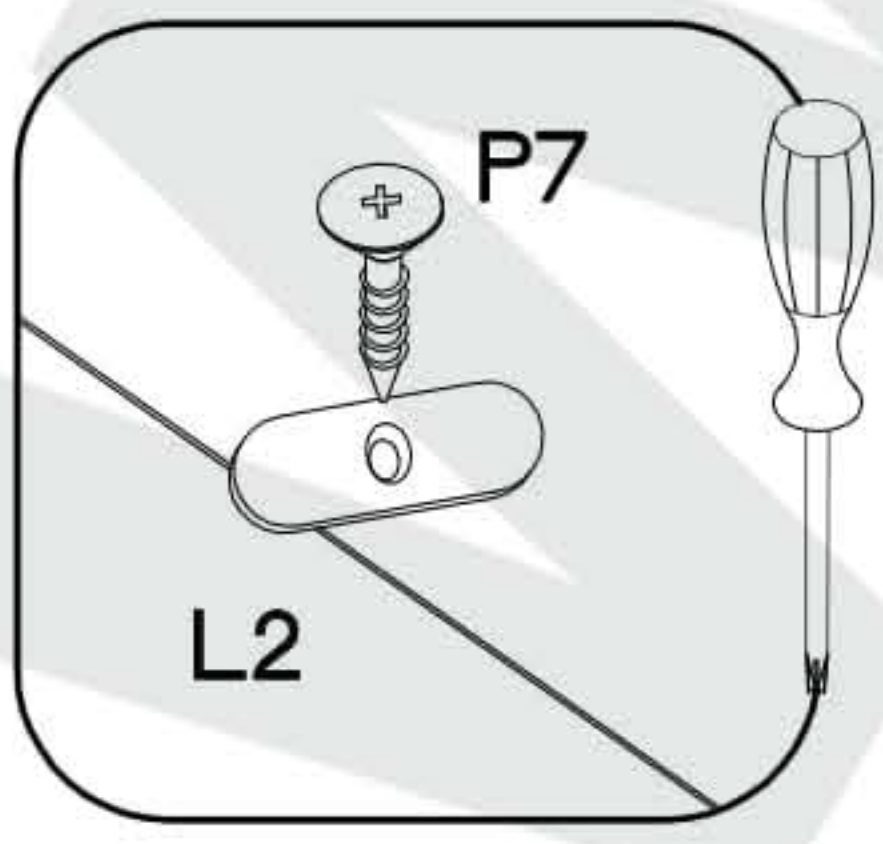
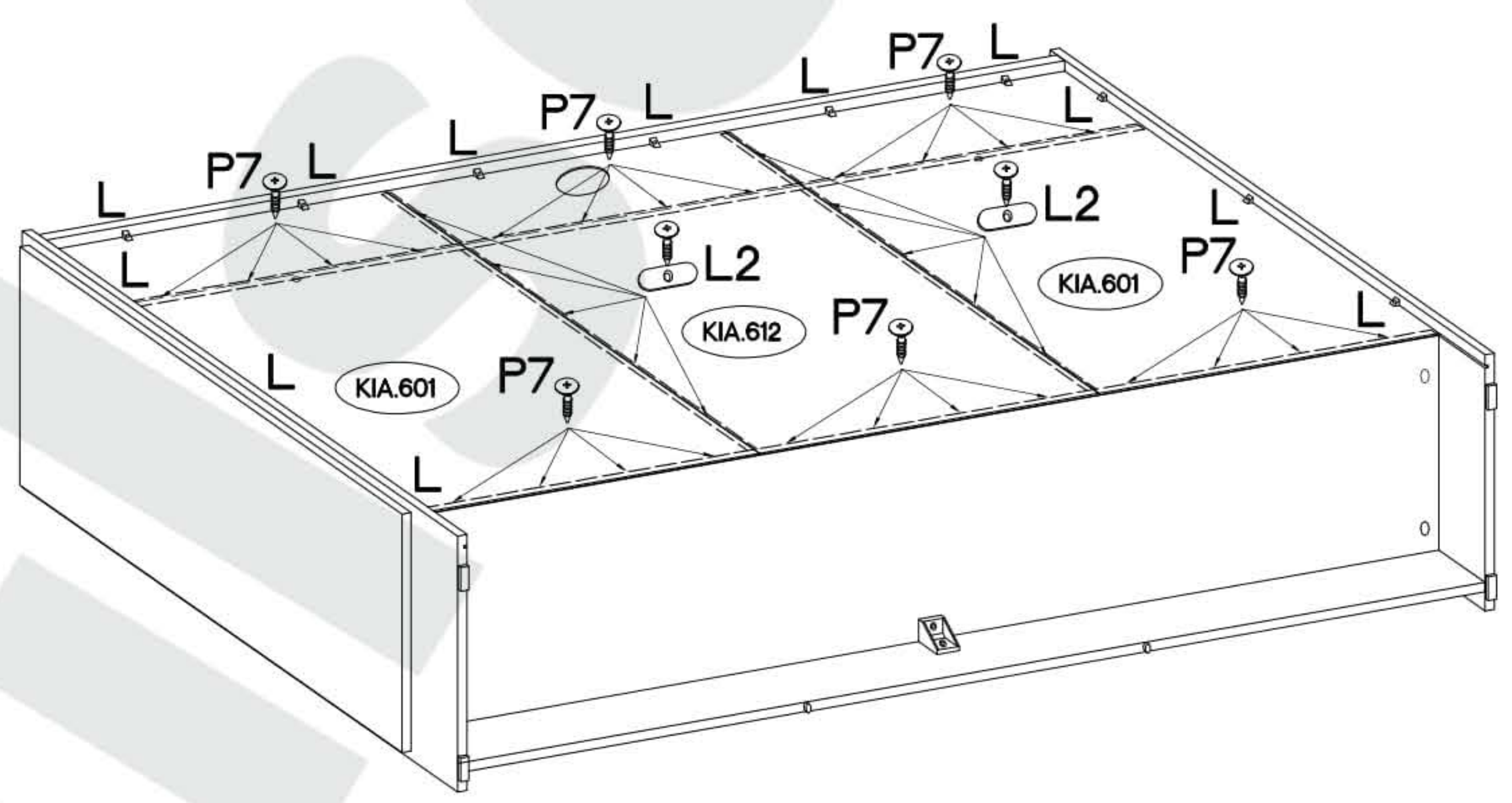
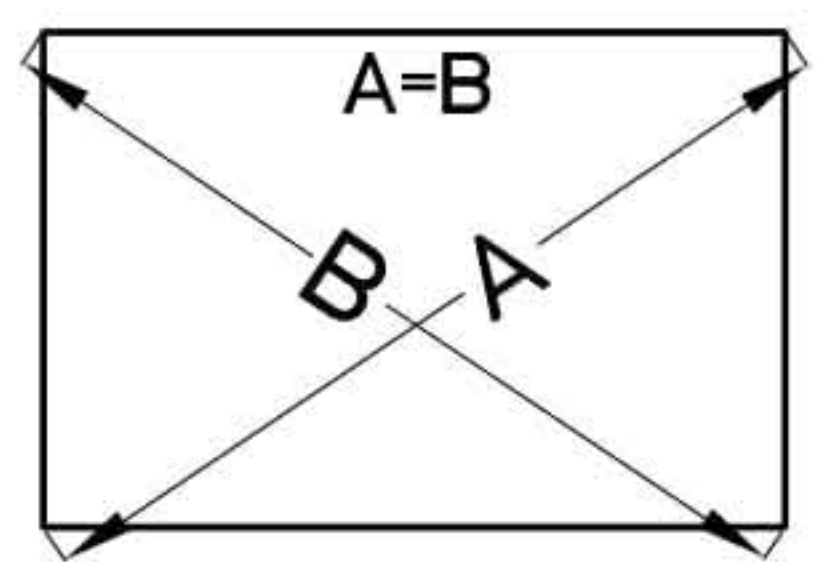
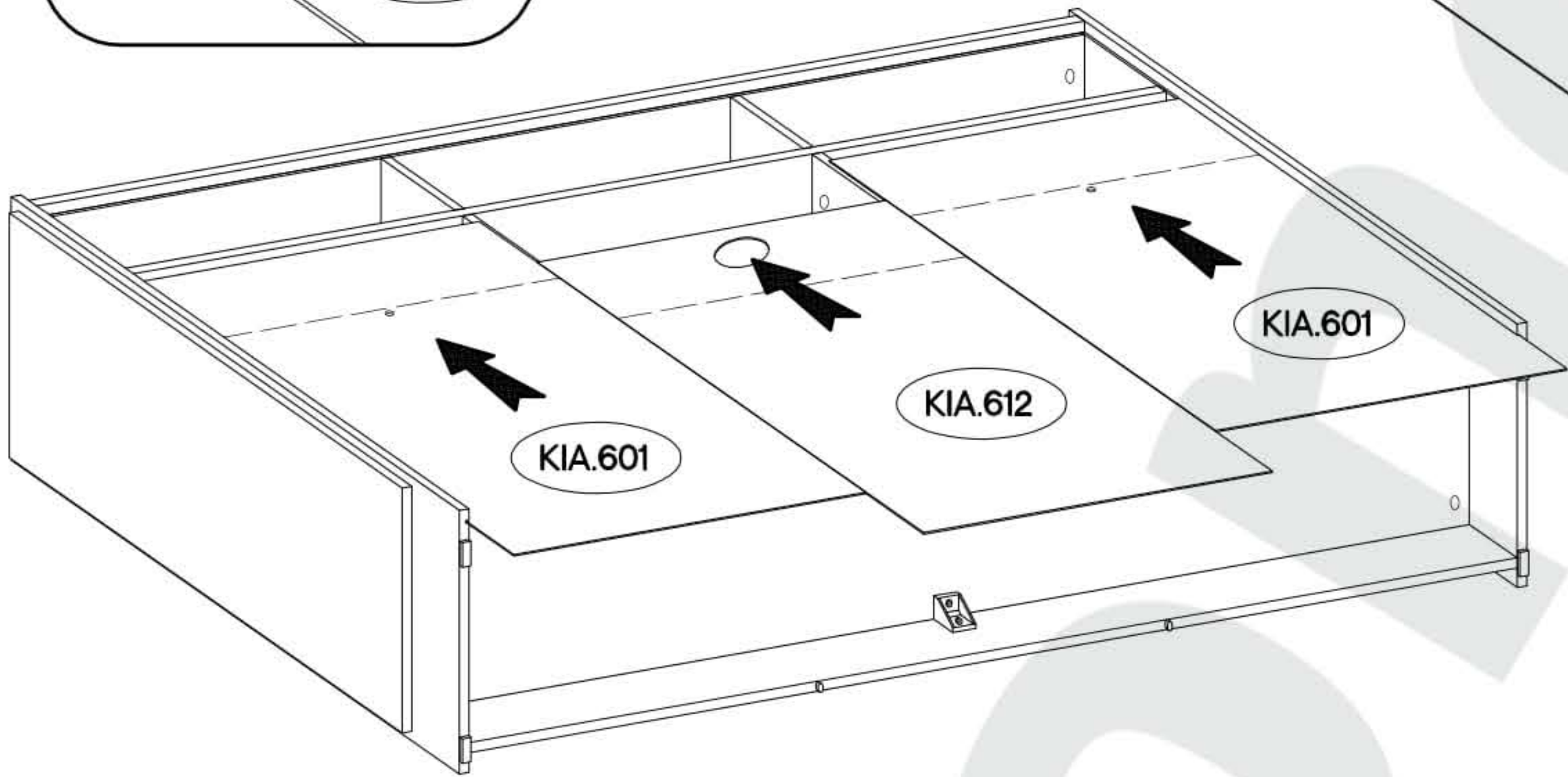
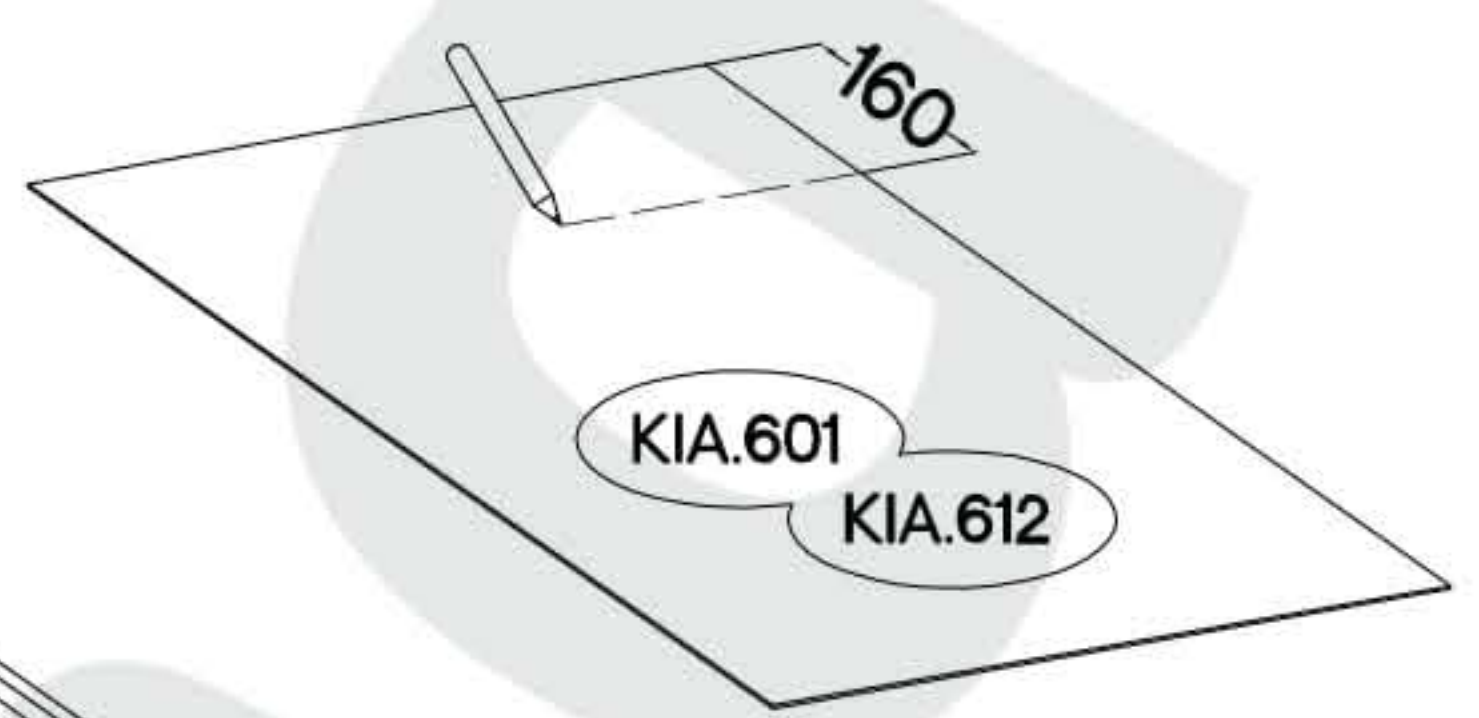
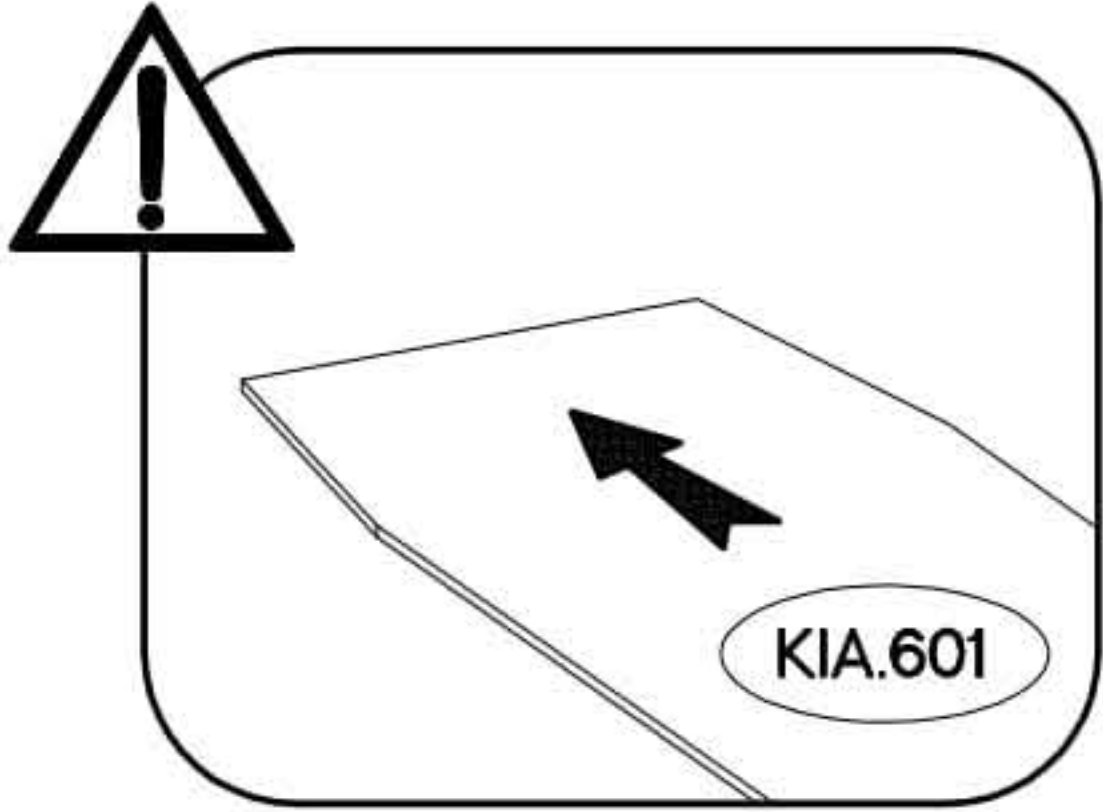
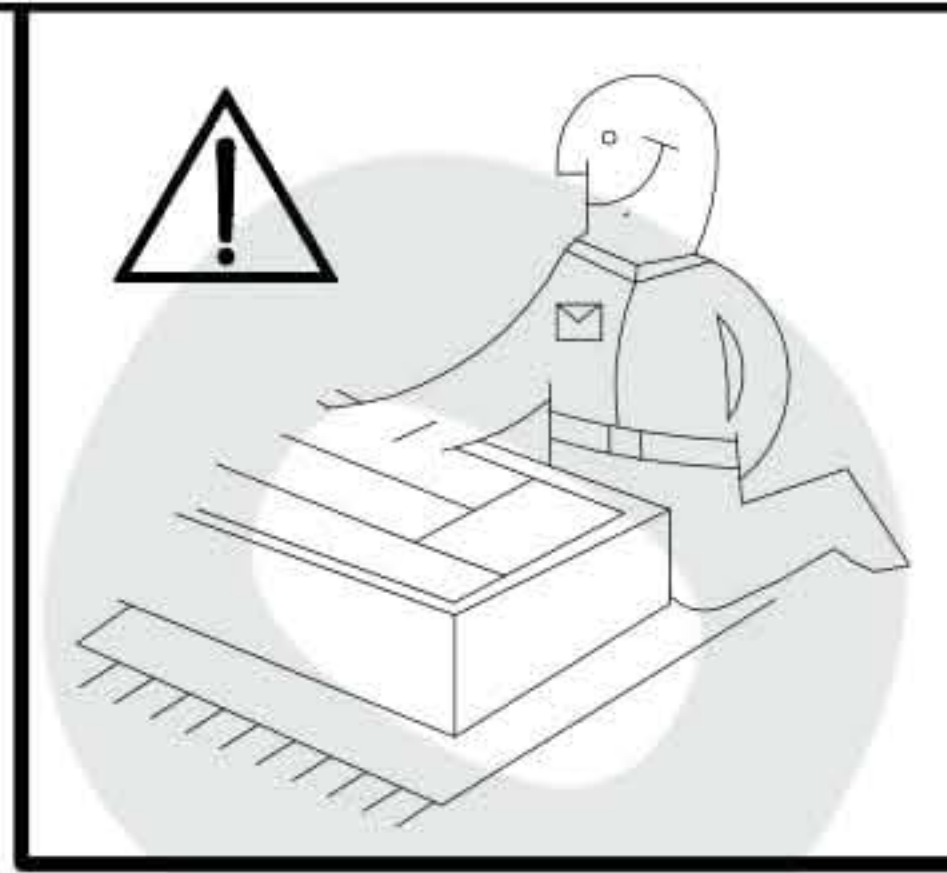
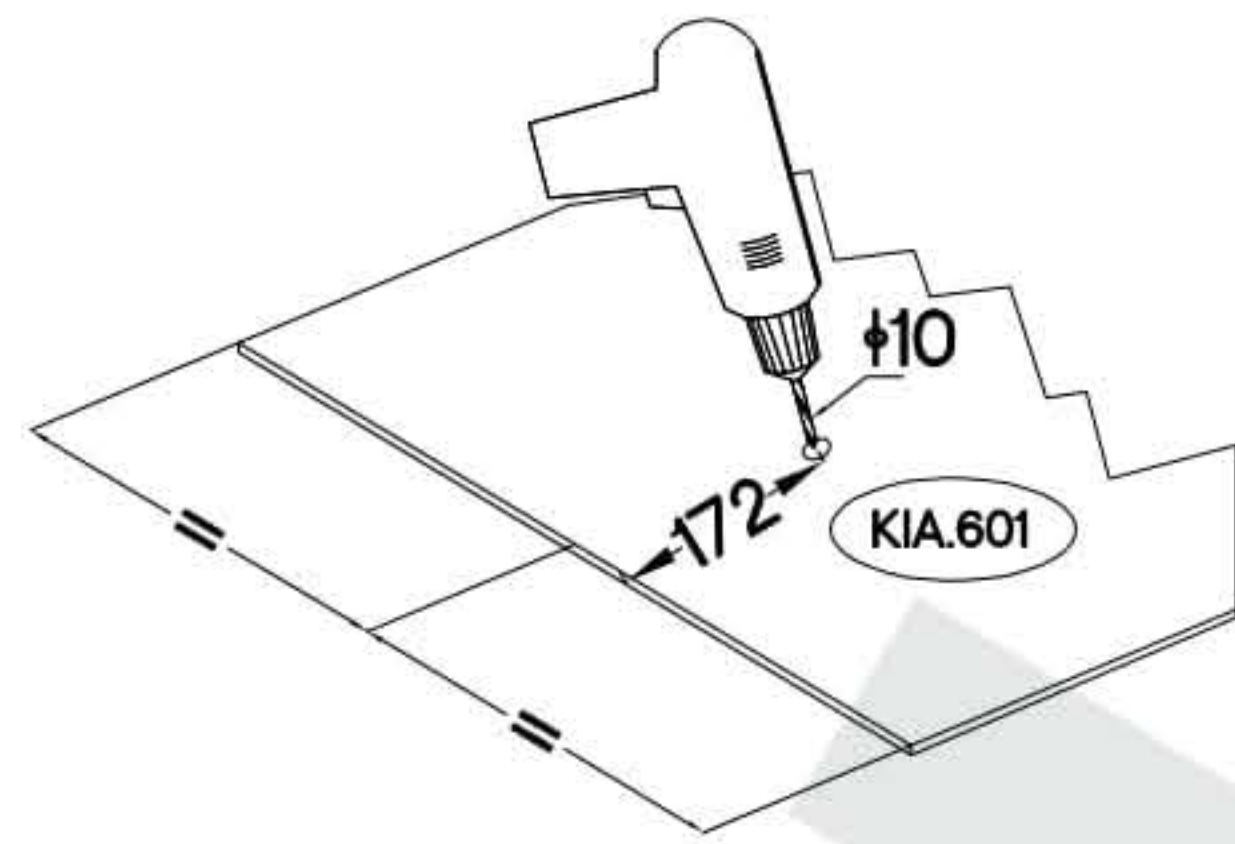
16






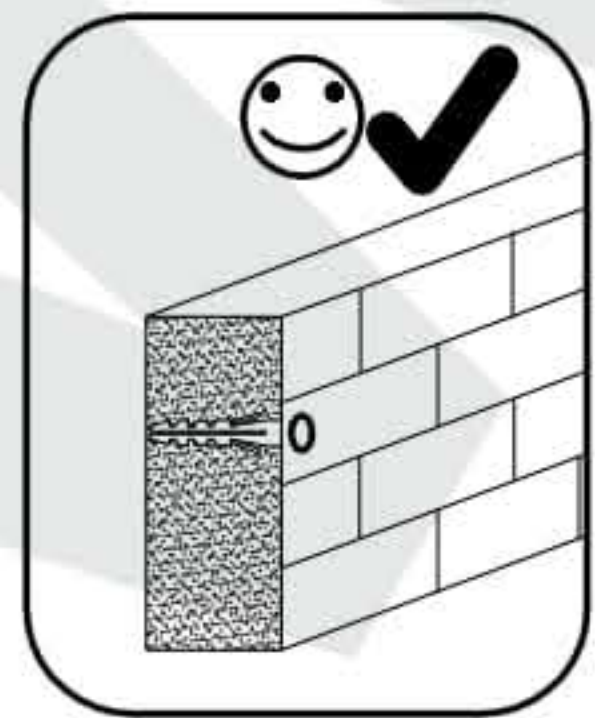
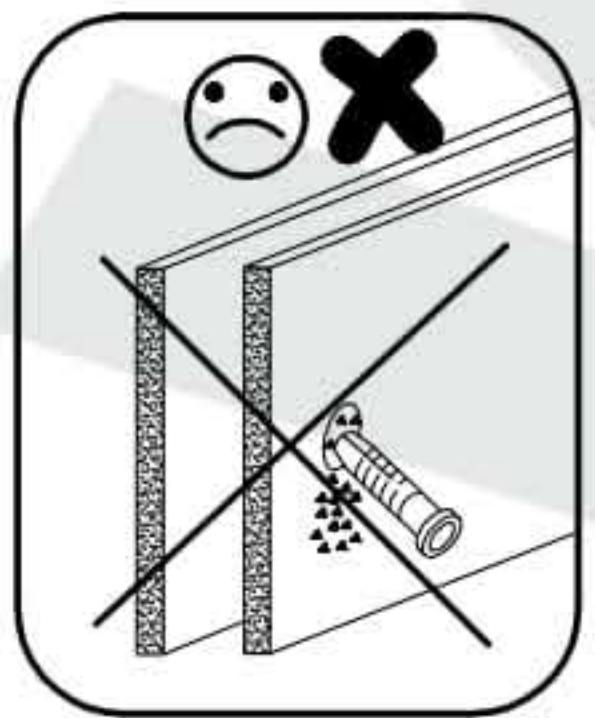
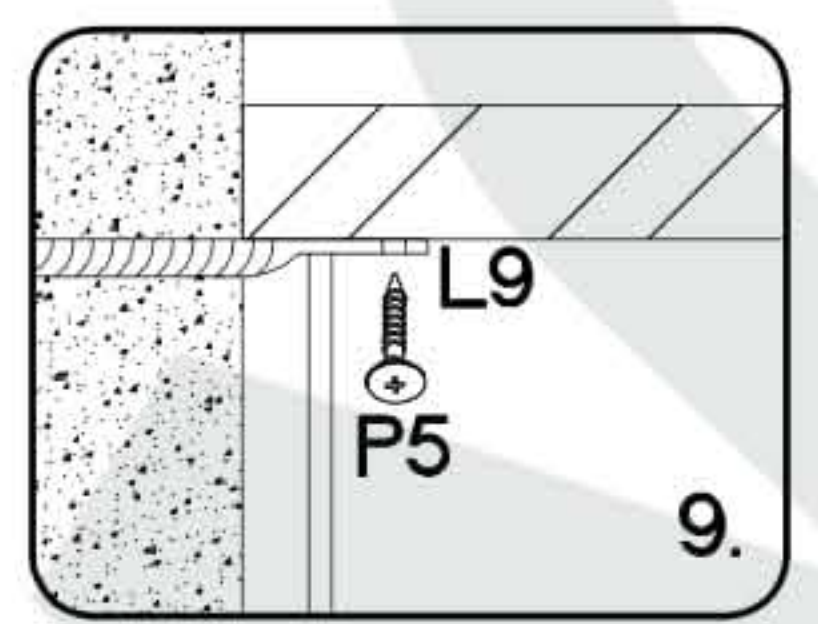
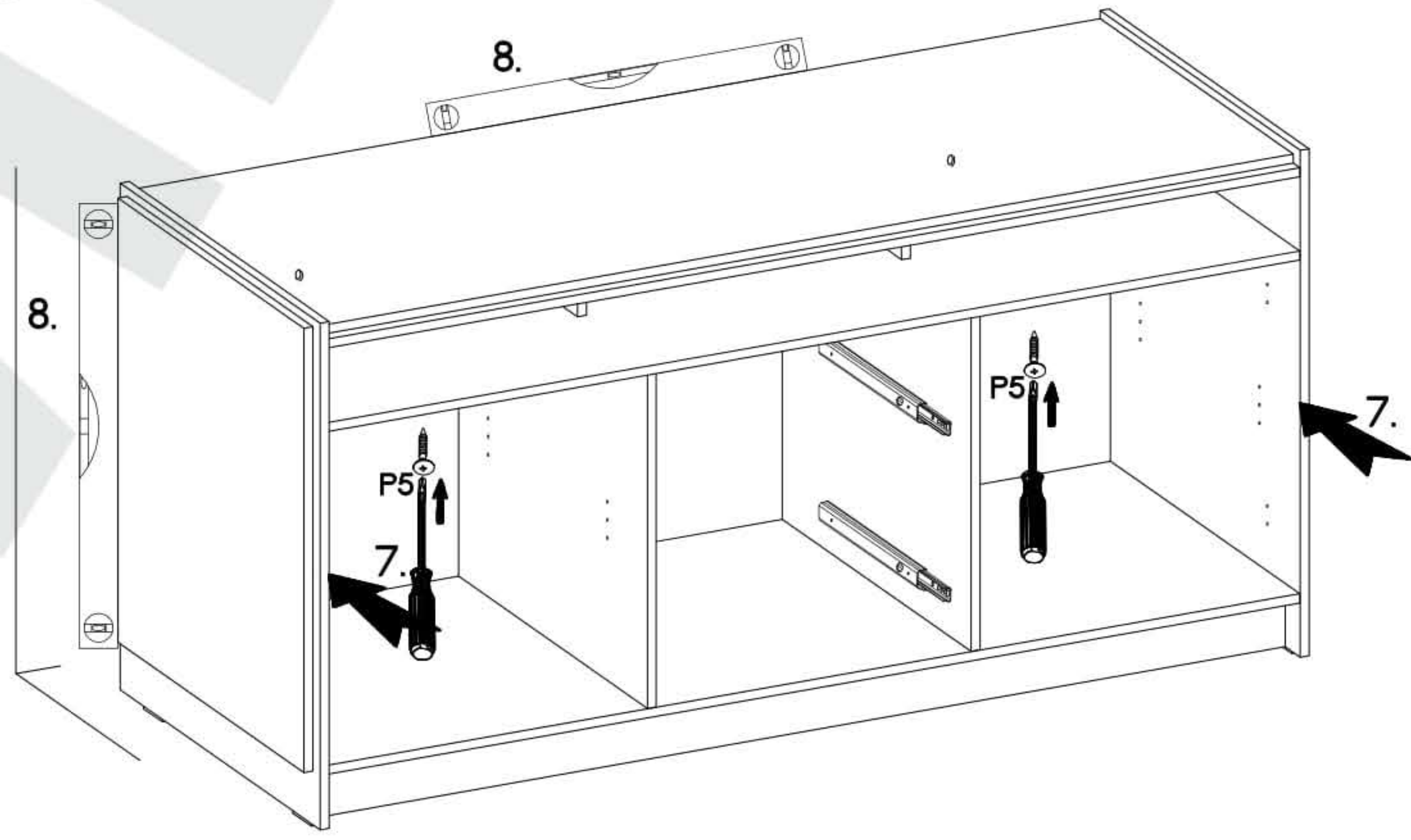
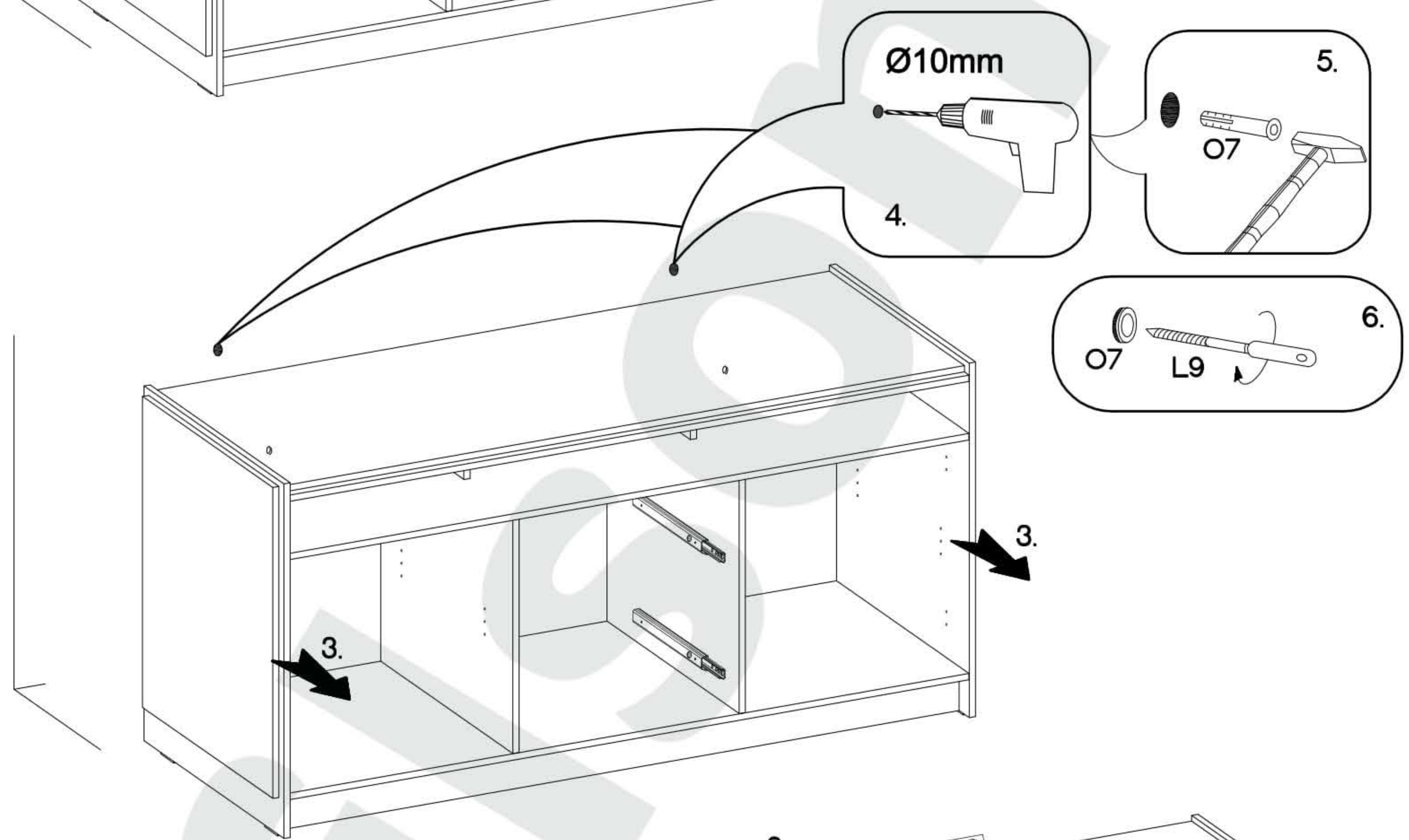
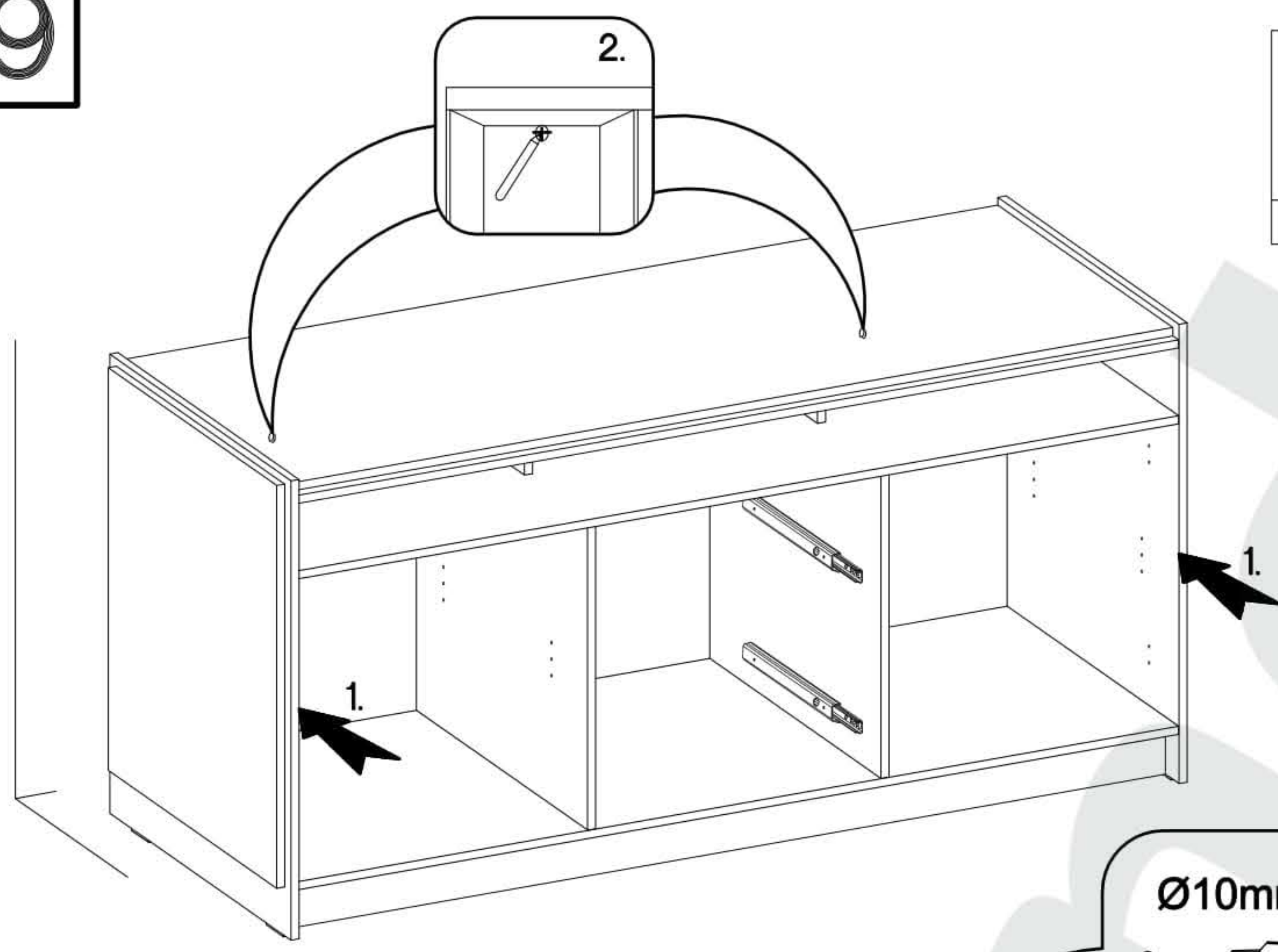
17

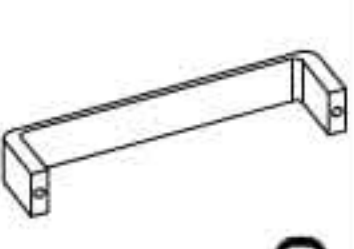




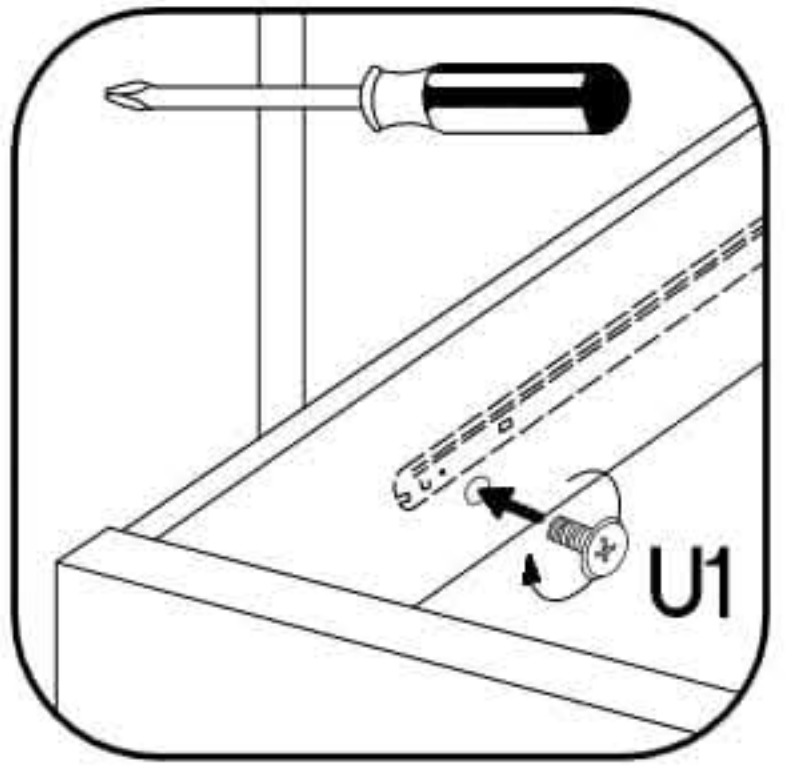
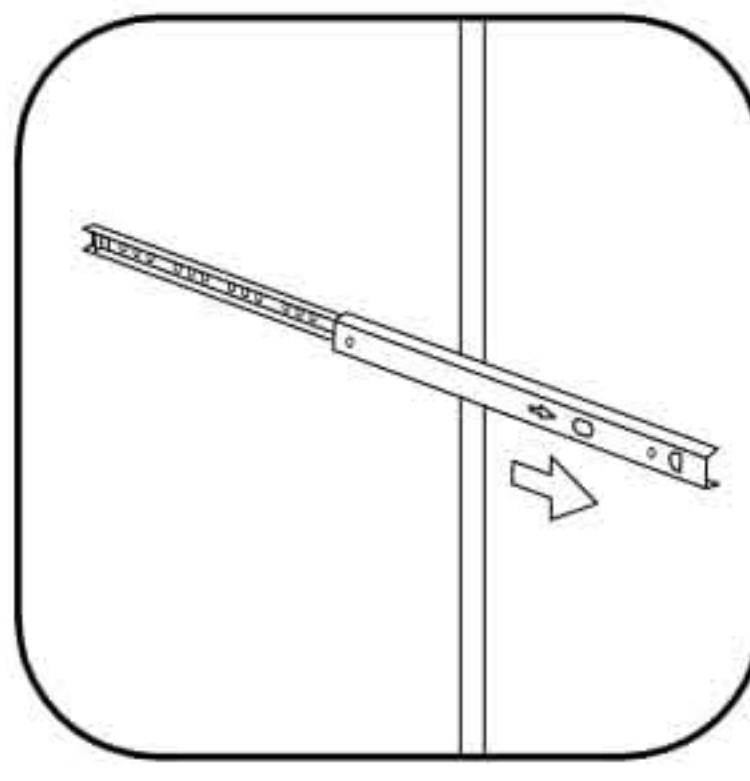
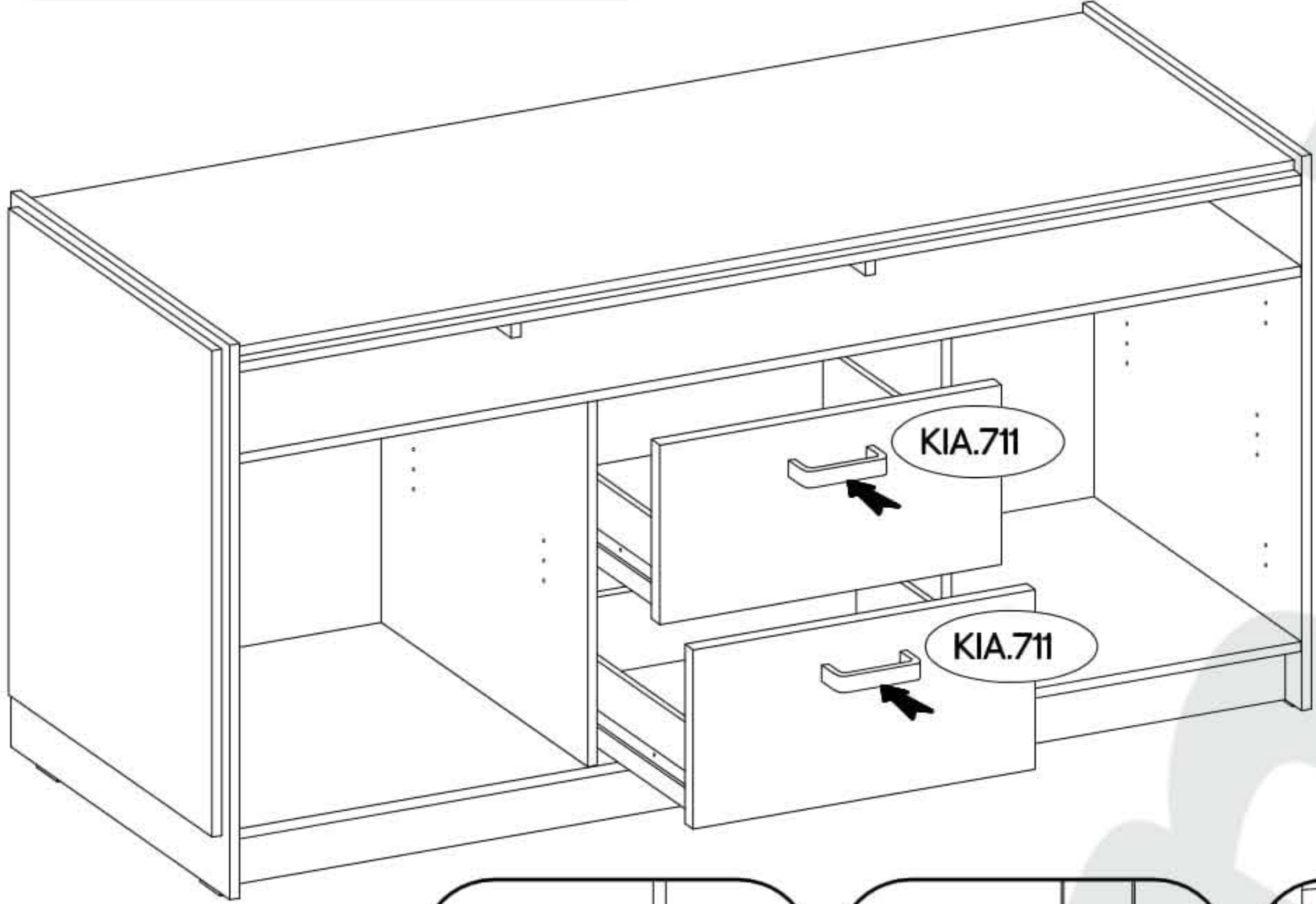
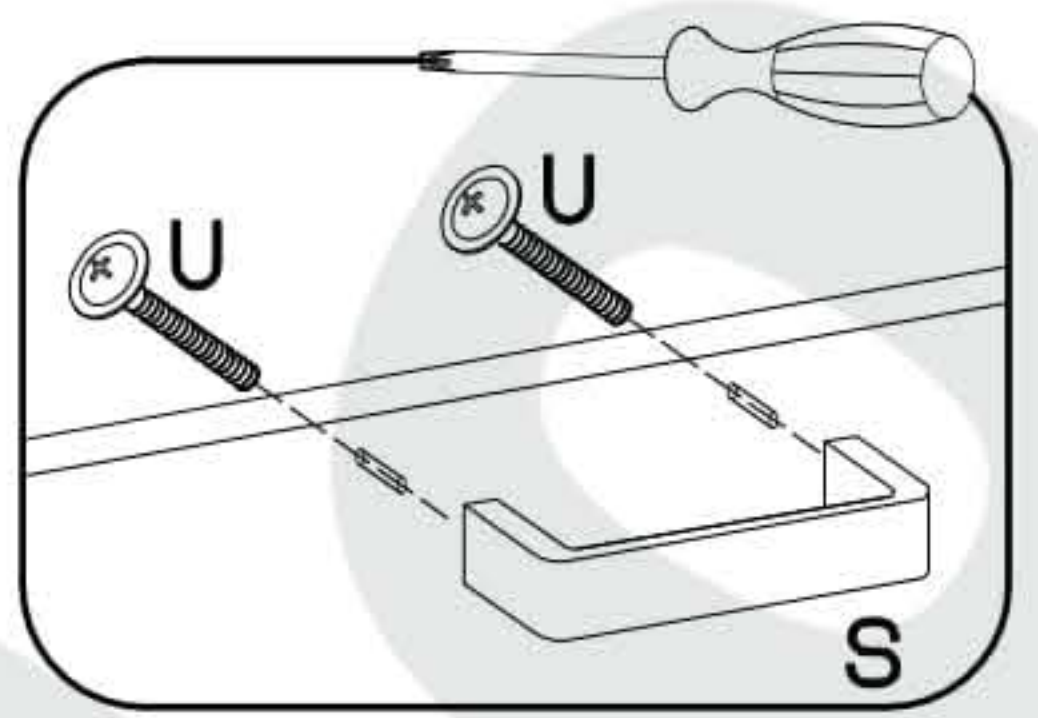
†3.0x20mm  P7 34	 L2 10	 L 12
---	--	--





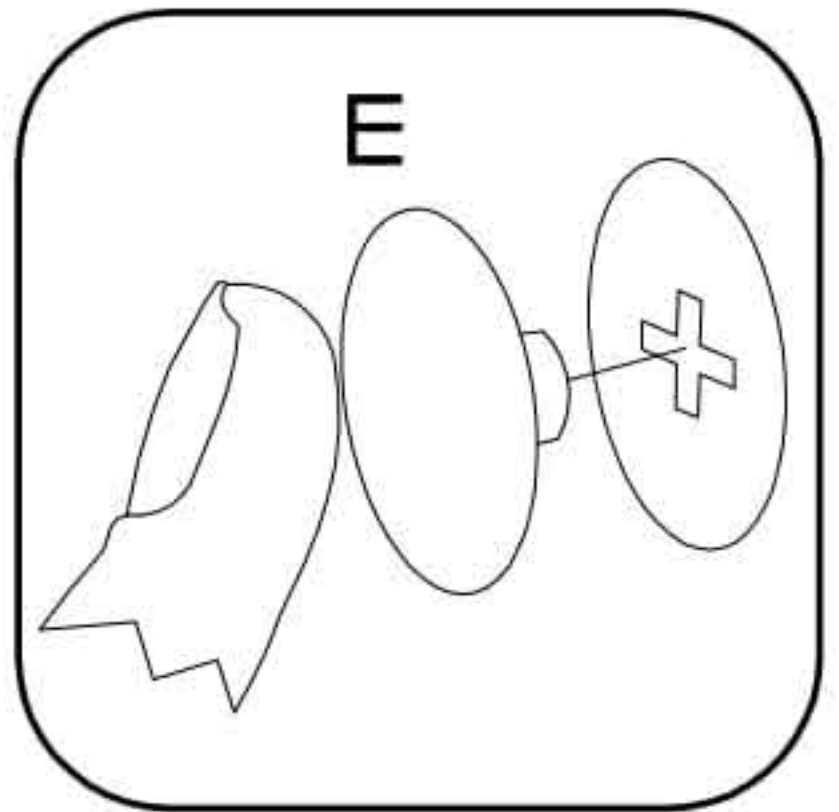
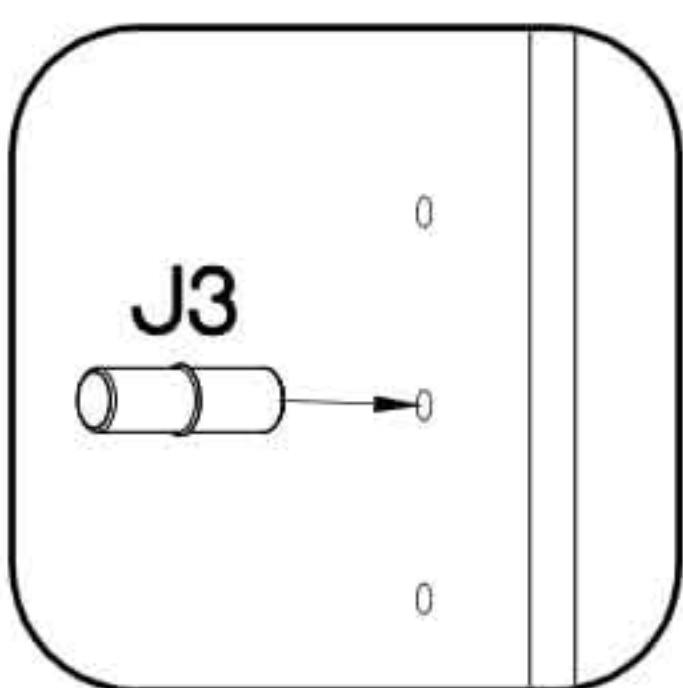
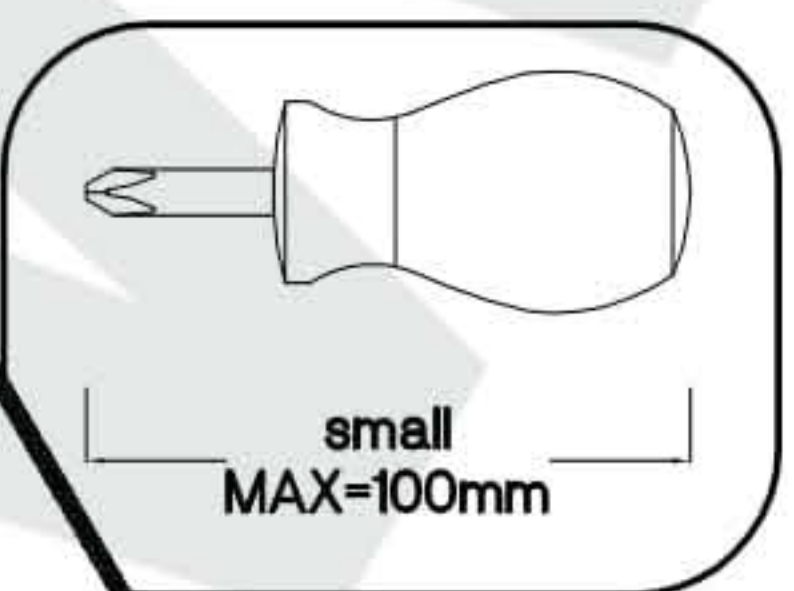
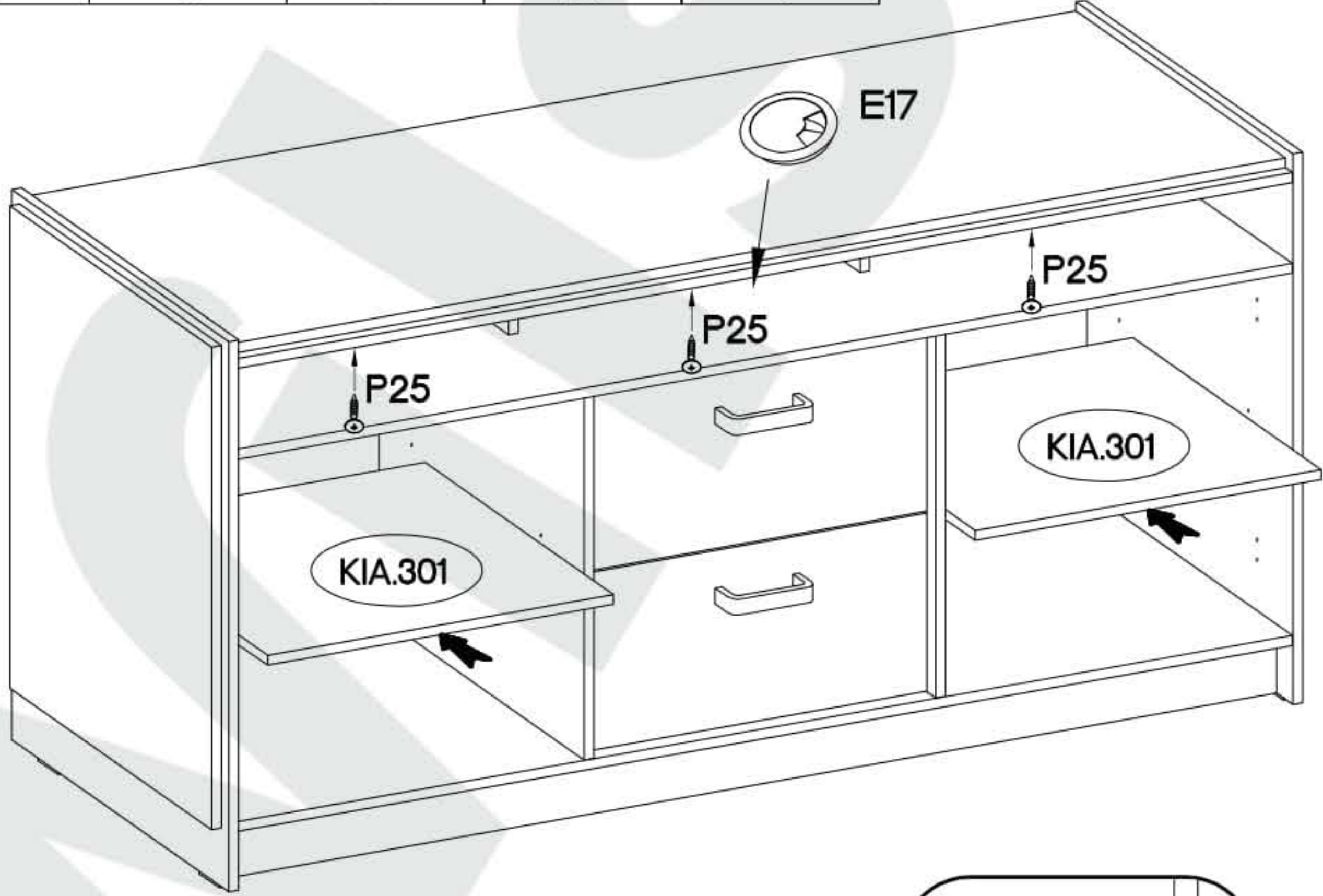
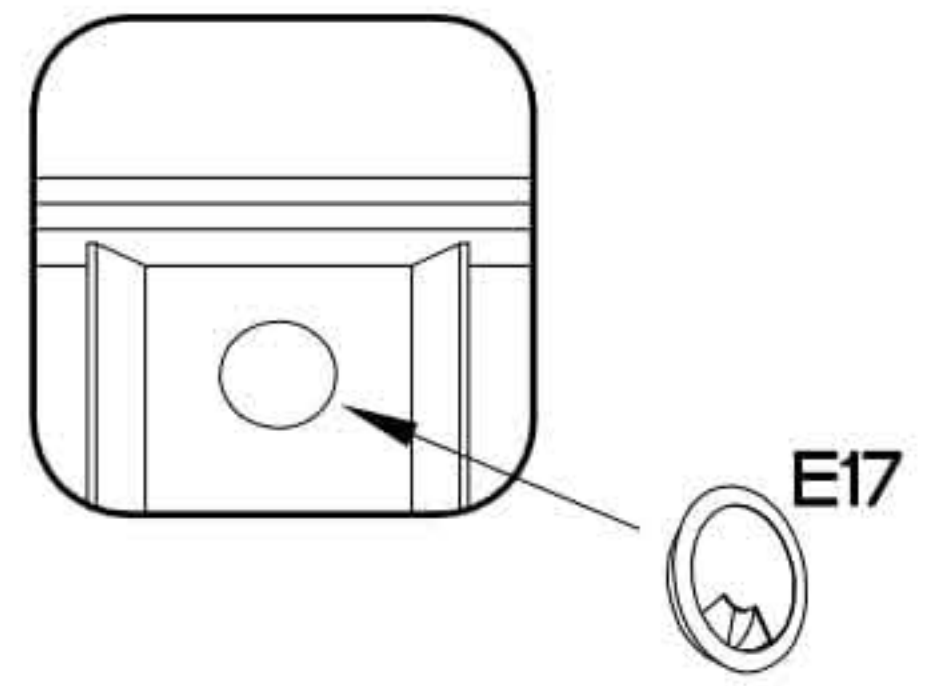
$\varnothing 10 \times 50 \text{mm}$  O7 2	 L9 2	$\varnothing 3.5 \times 13 \text{mm}$  P5 2
---	--	--





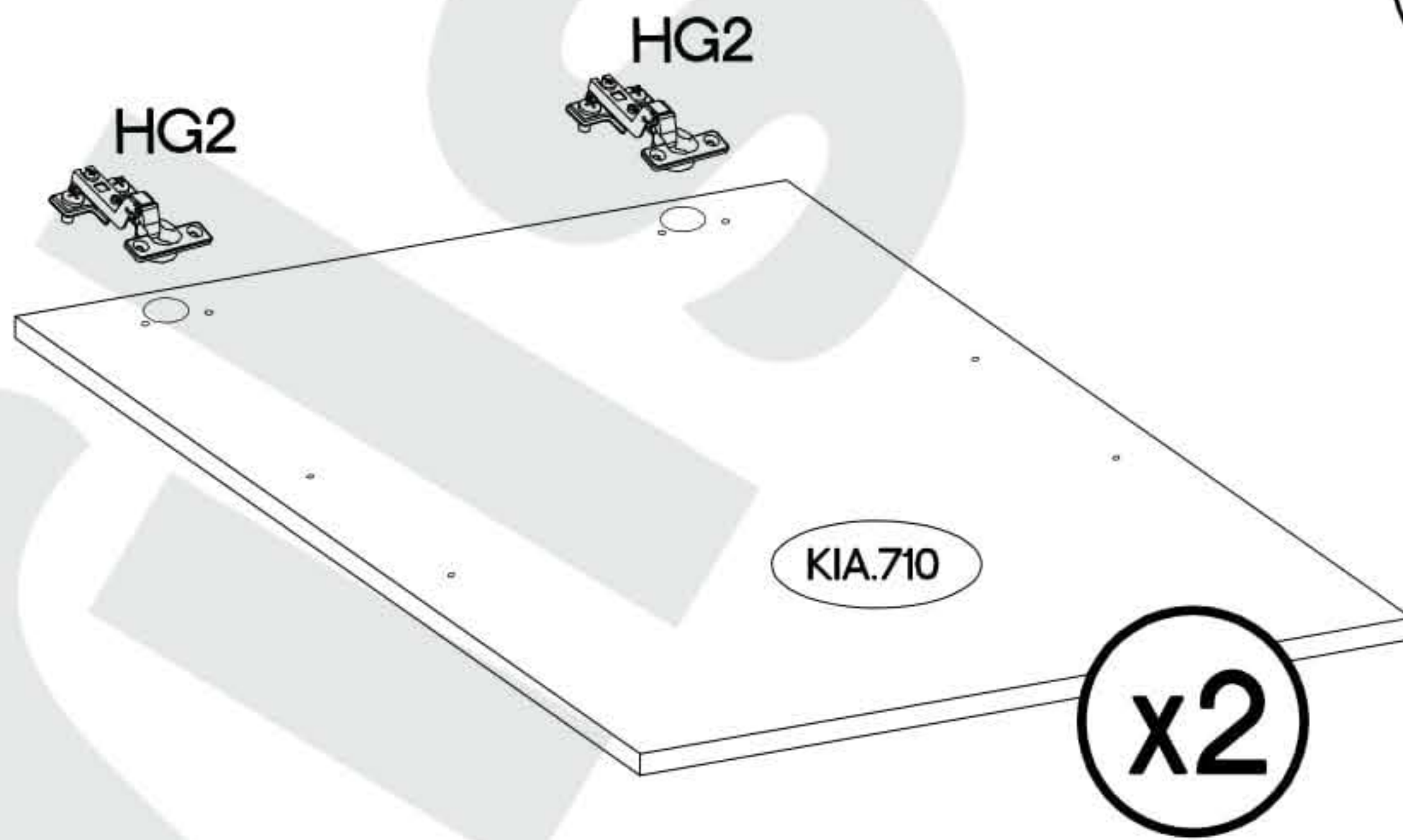
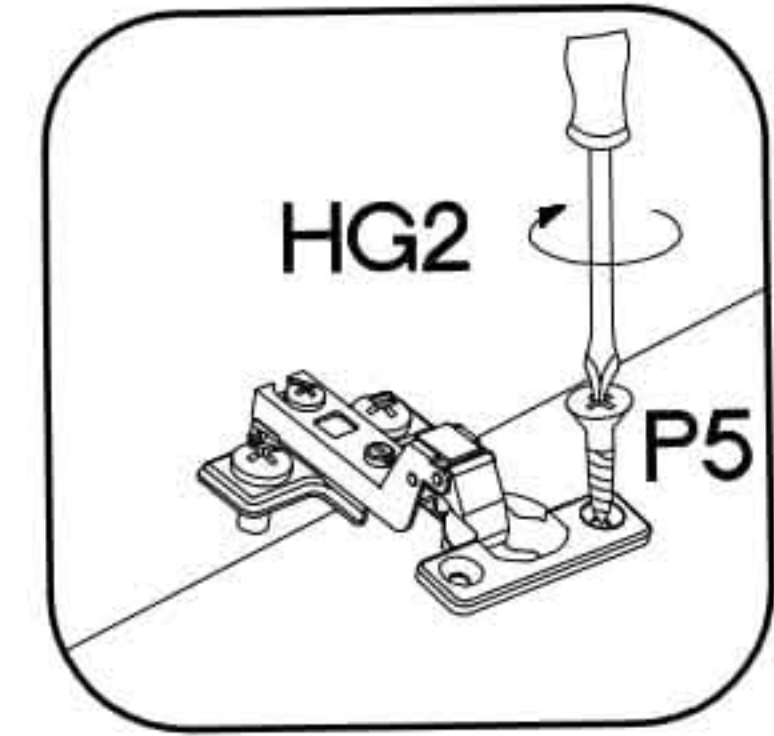
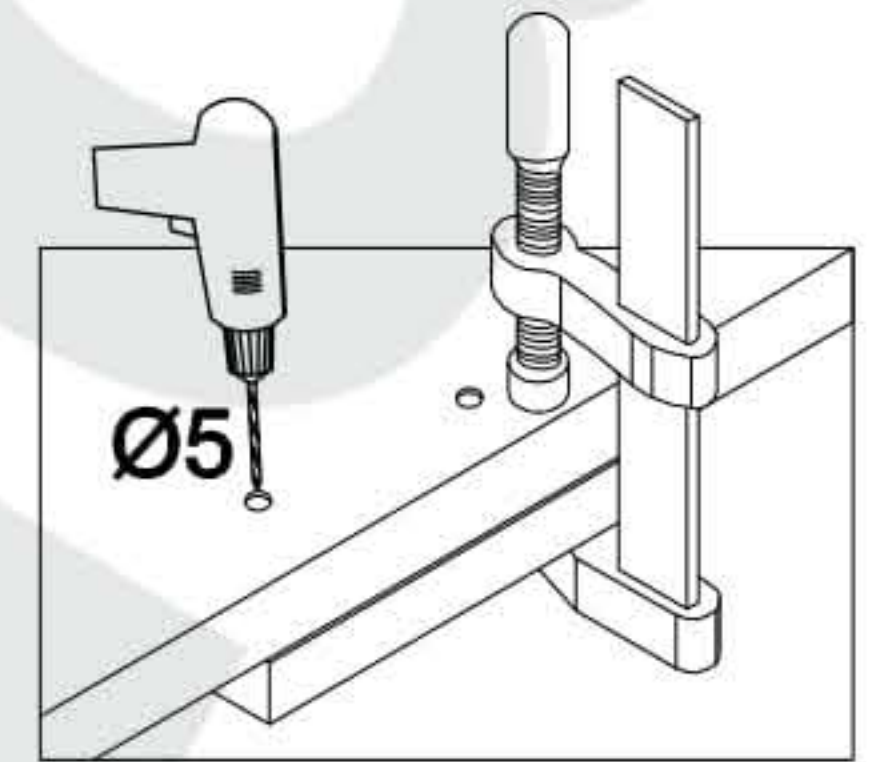
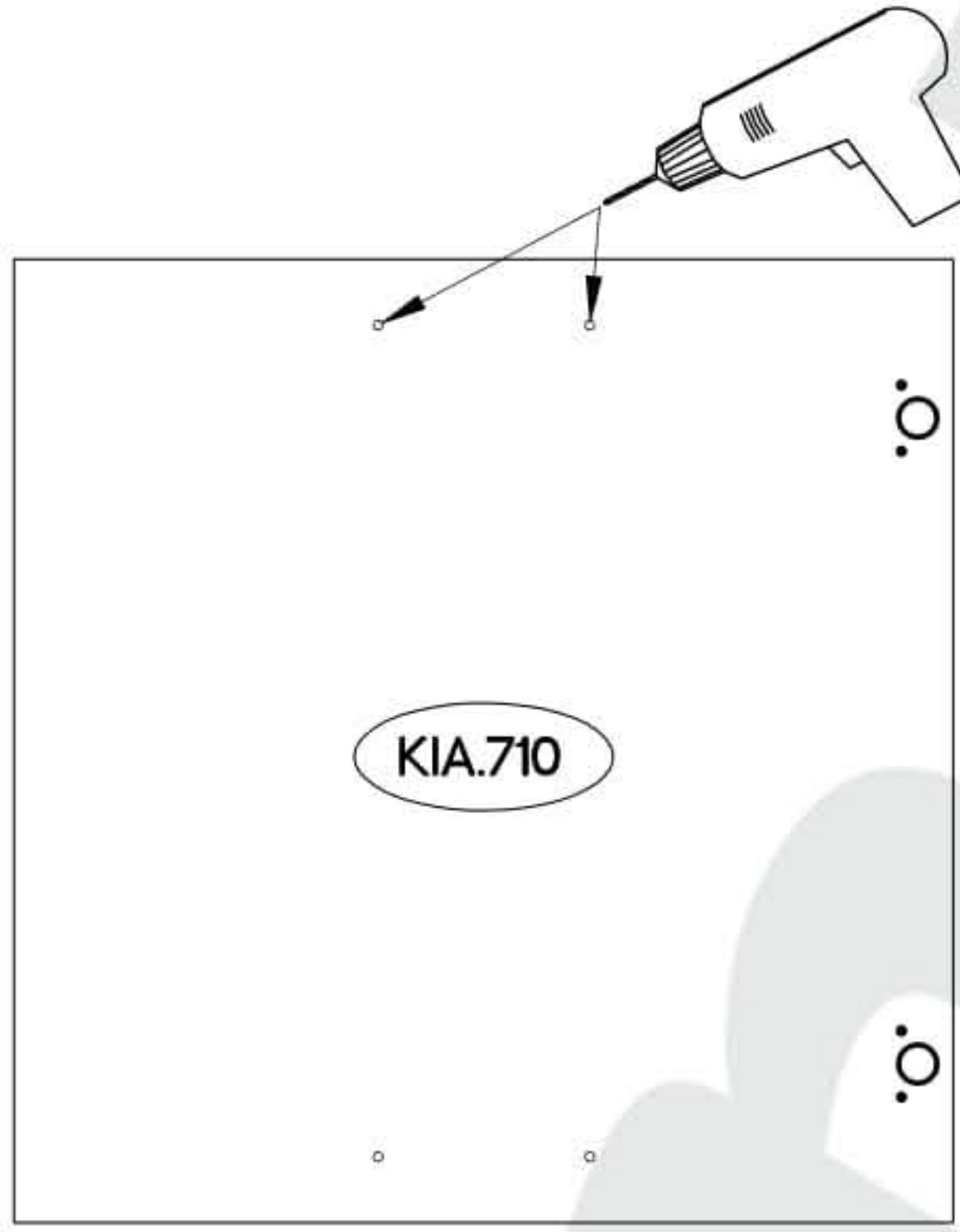
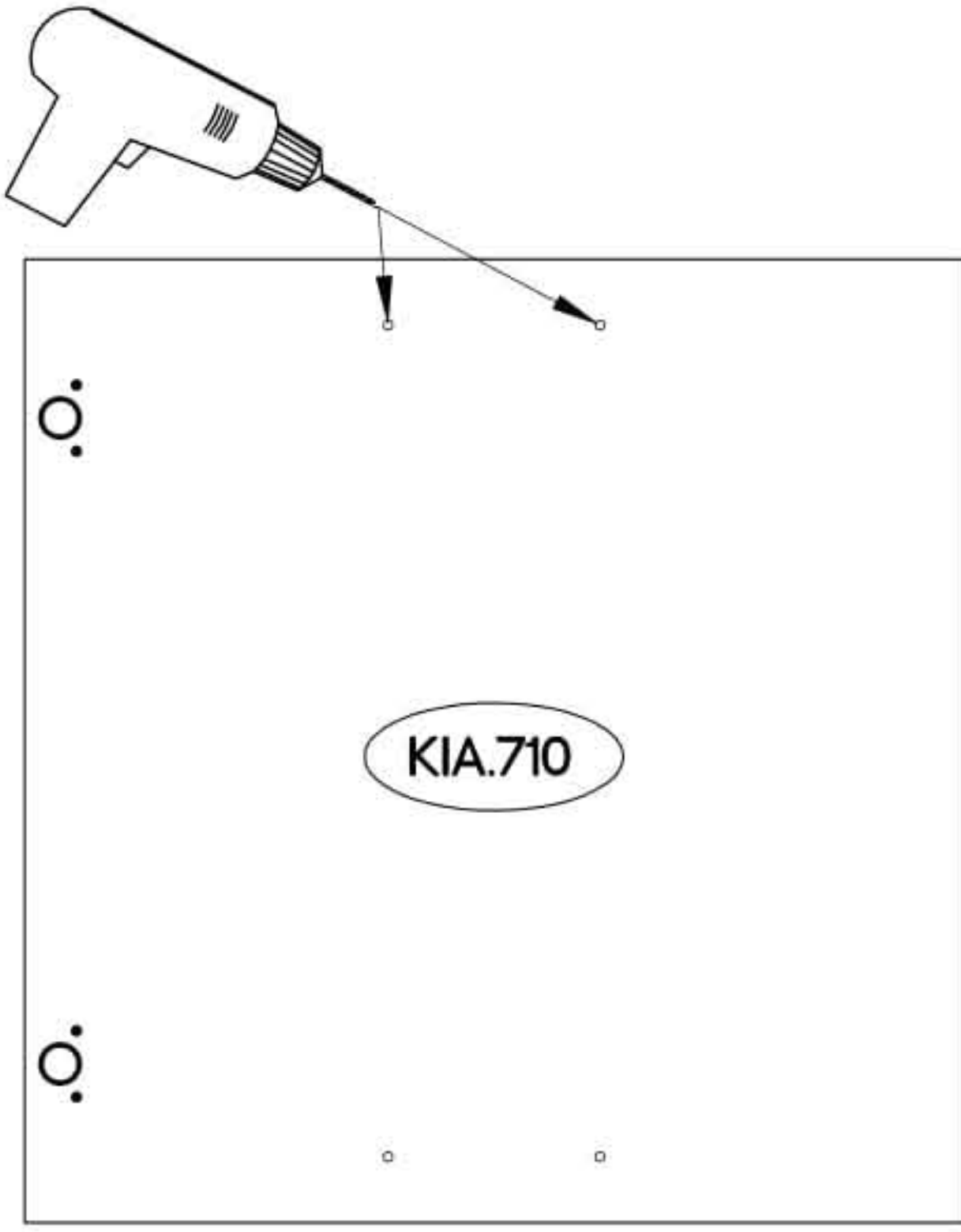
L=128mm	M4x22mm	M4x9mm
		
S	U	U1
2	4	4

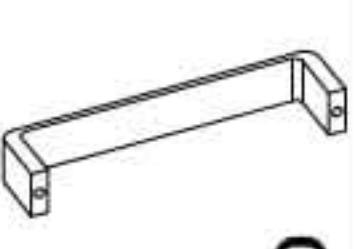



±5/16mm	±60	±3.5x25mm BLACK		
J3	E17	P25 cza.	E	art. E
8	1	3	14	4



 HG2 4	 P5 8
--	---



L=128mm	M4x22mm
	
S	U
2	4

