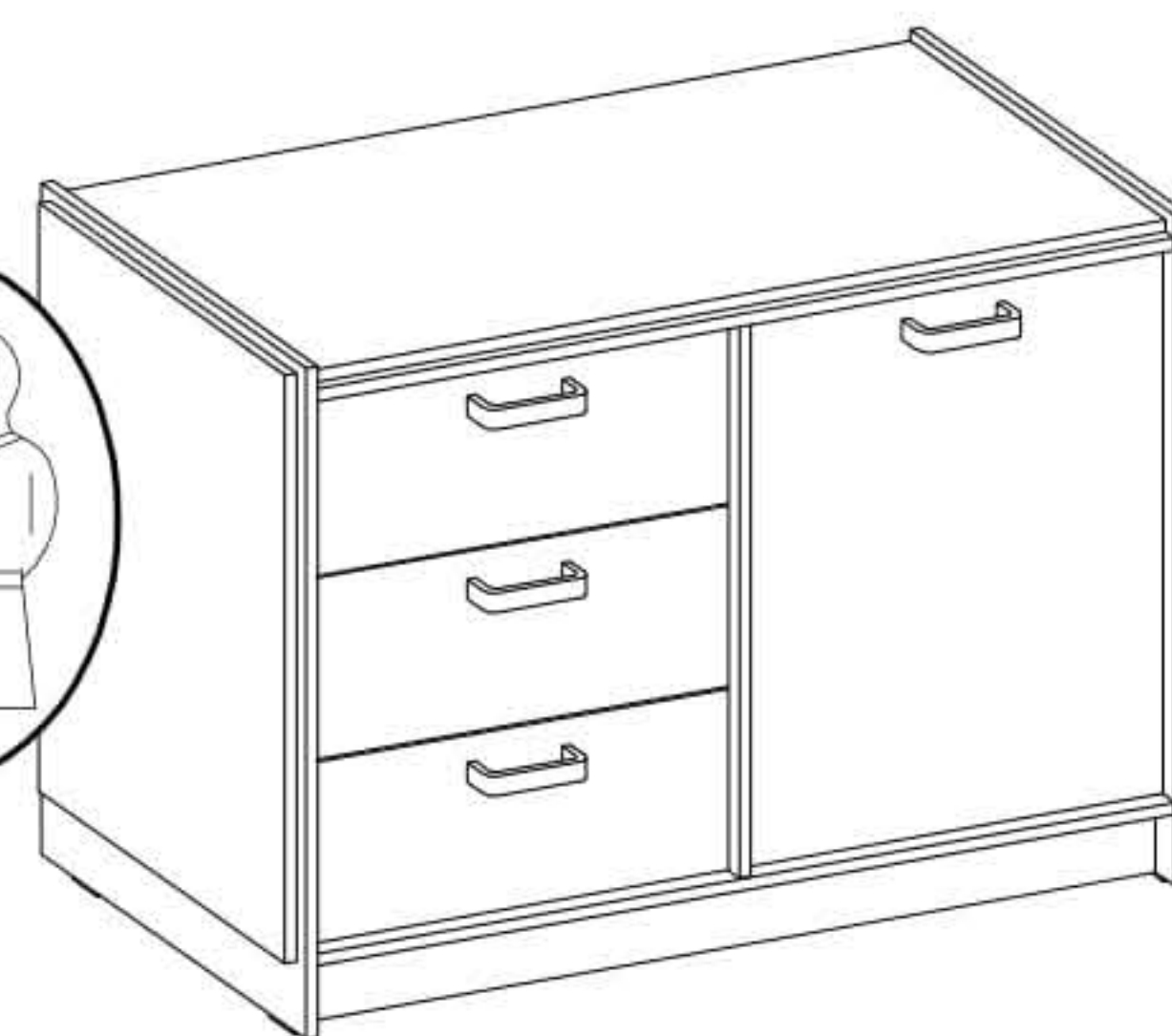
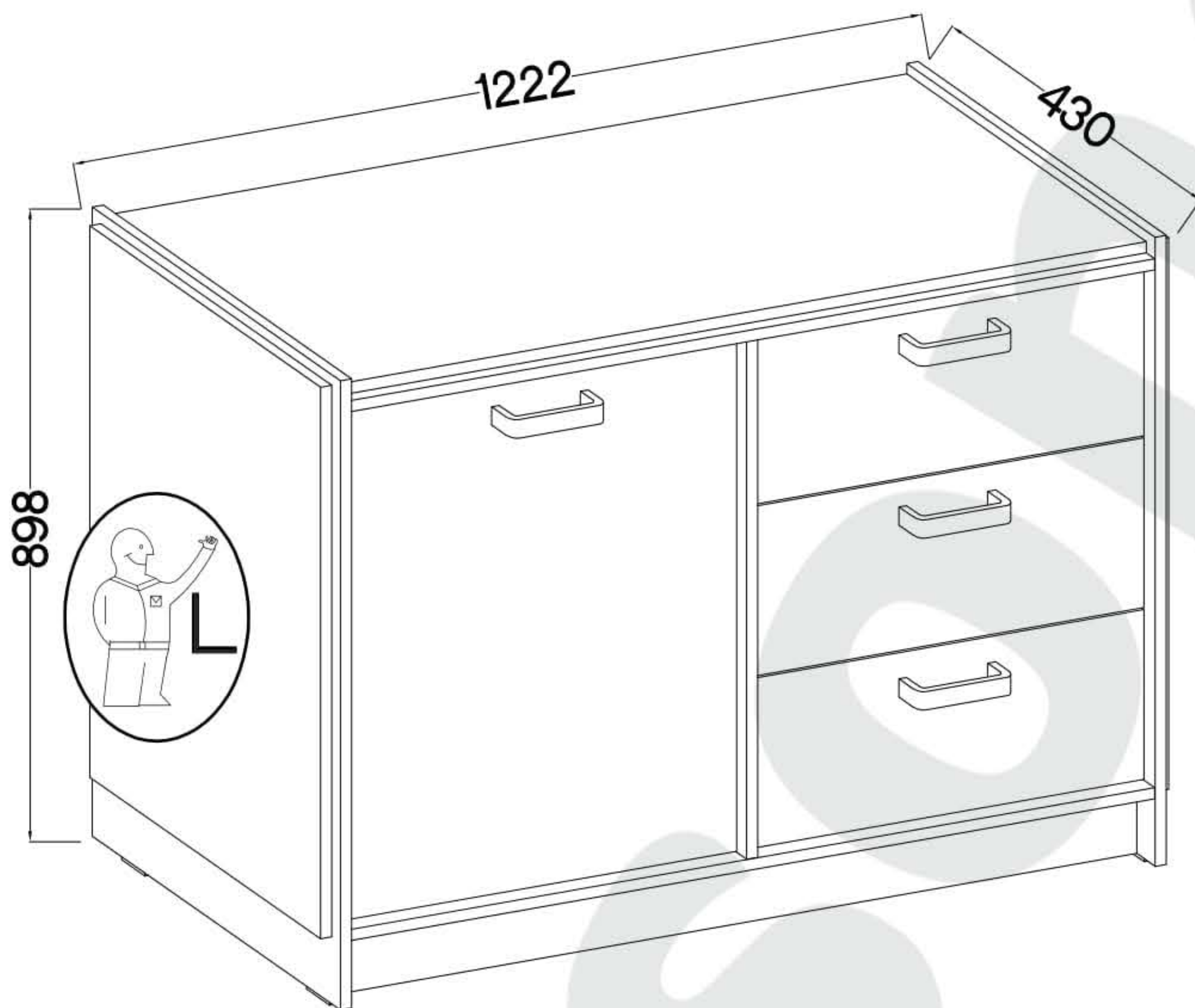


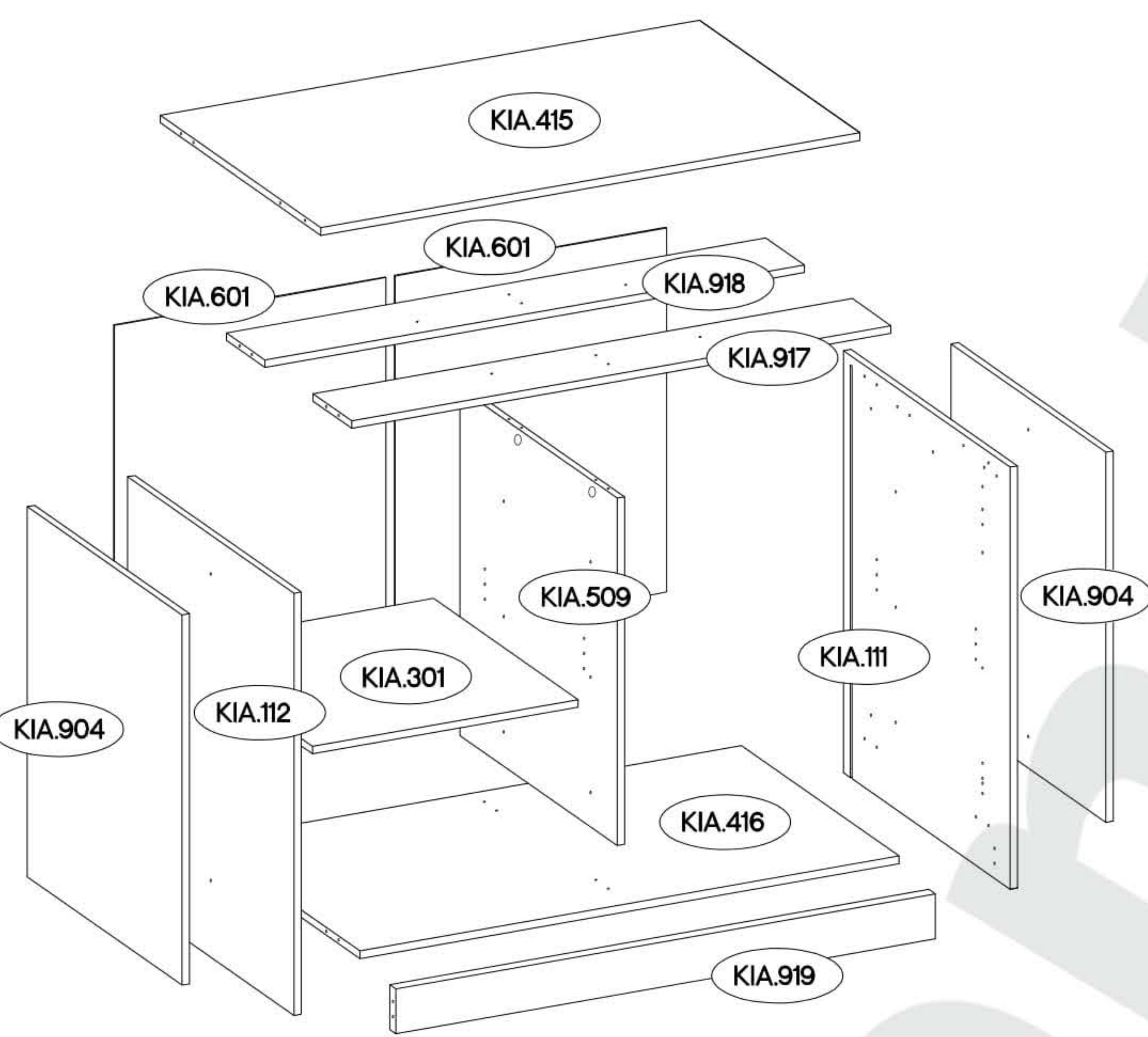
120 min

TYP 830



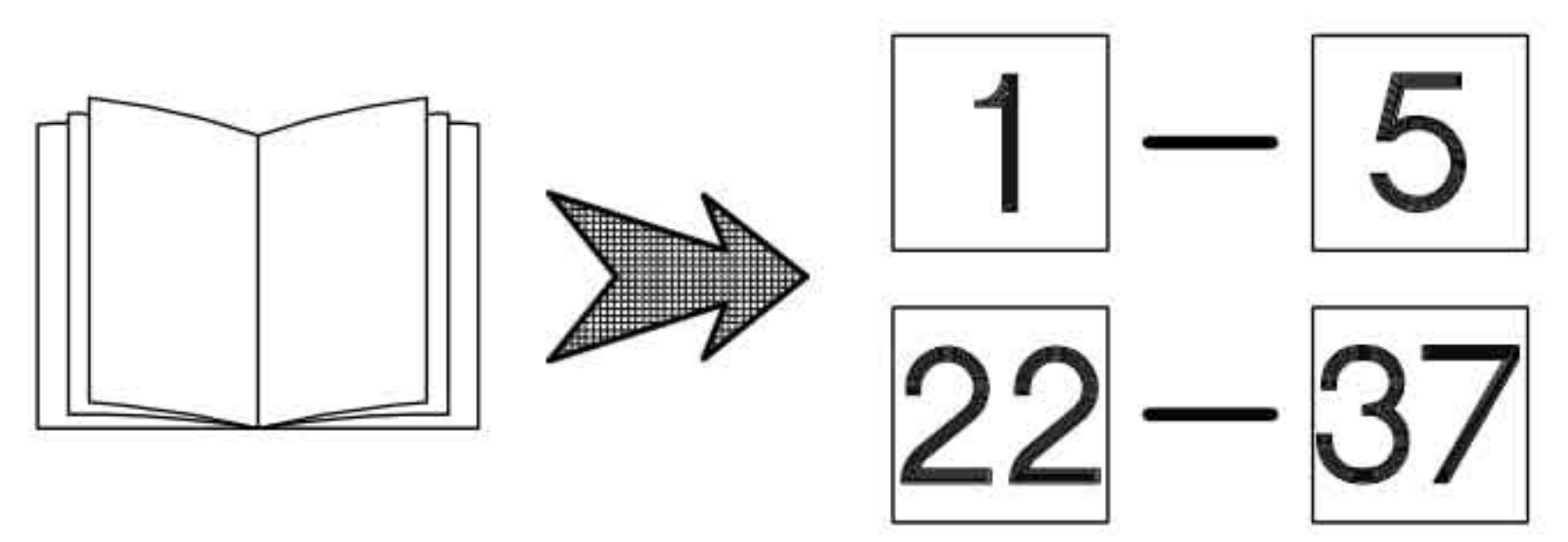
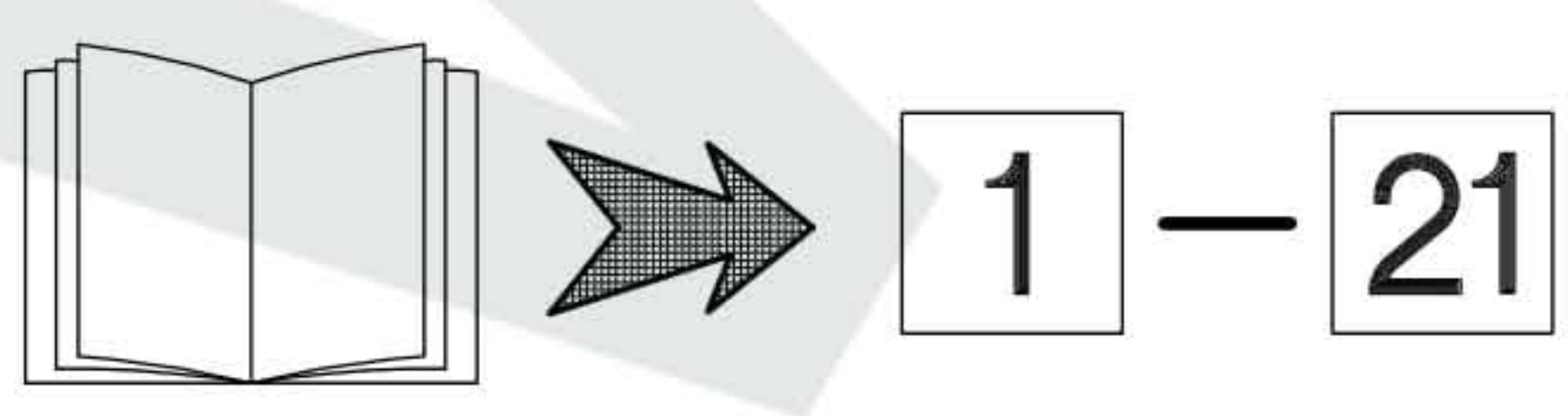
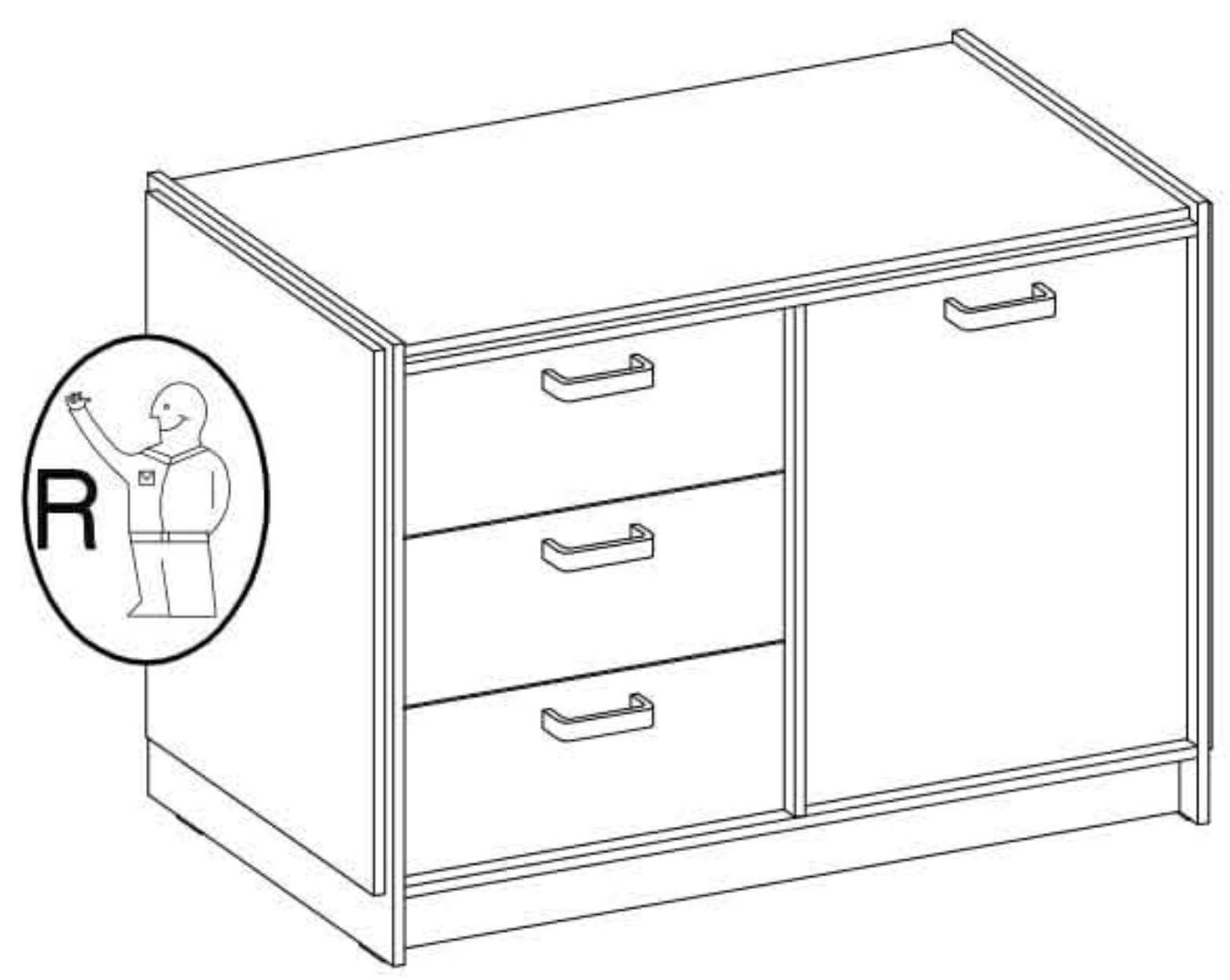
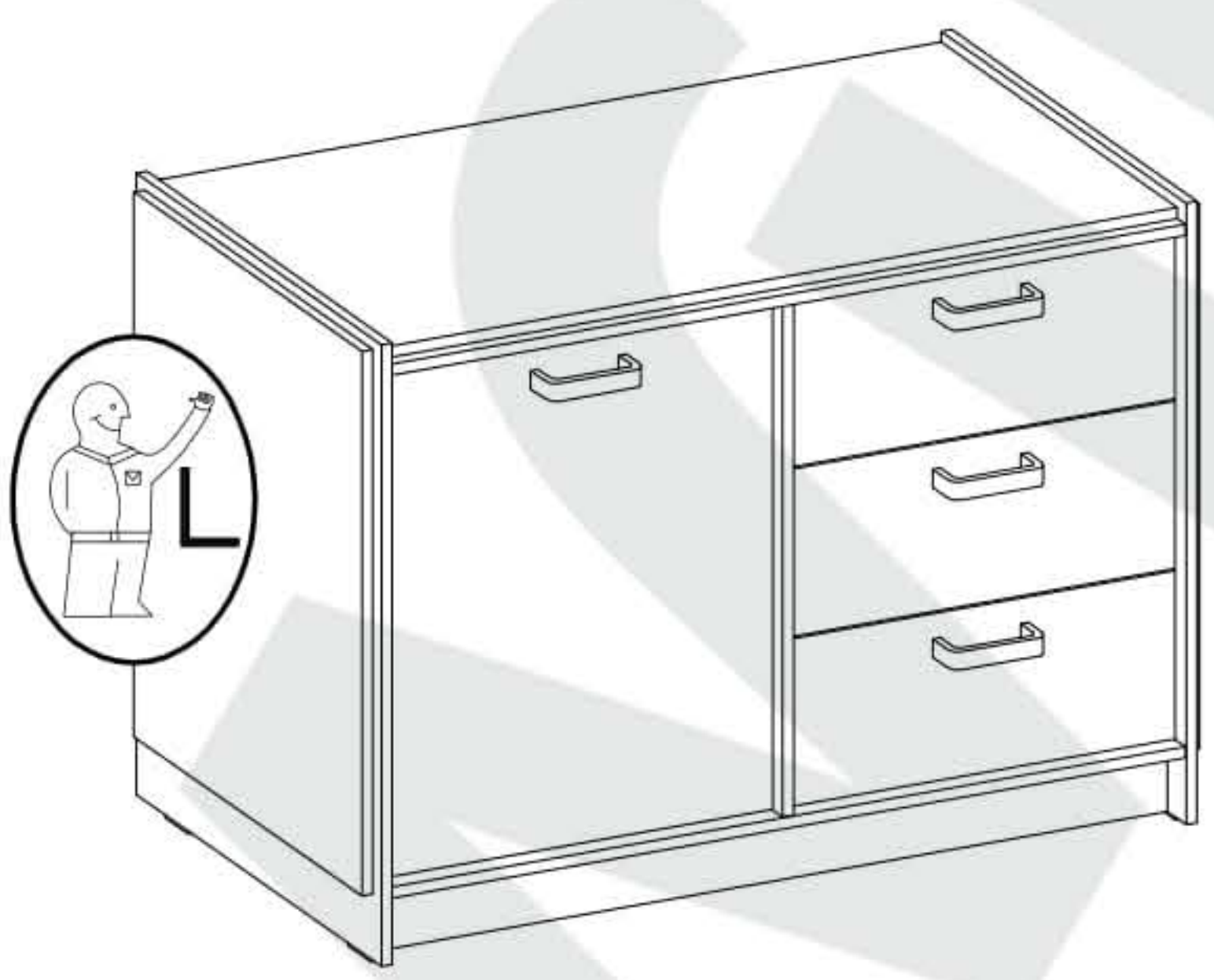
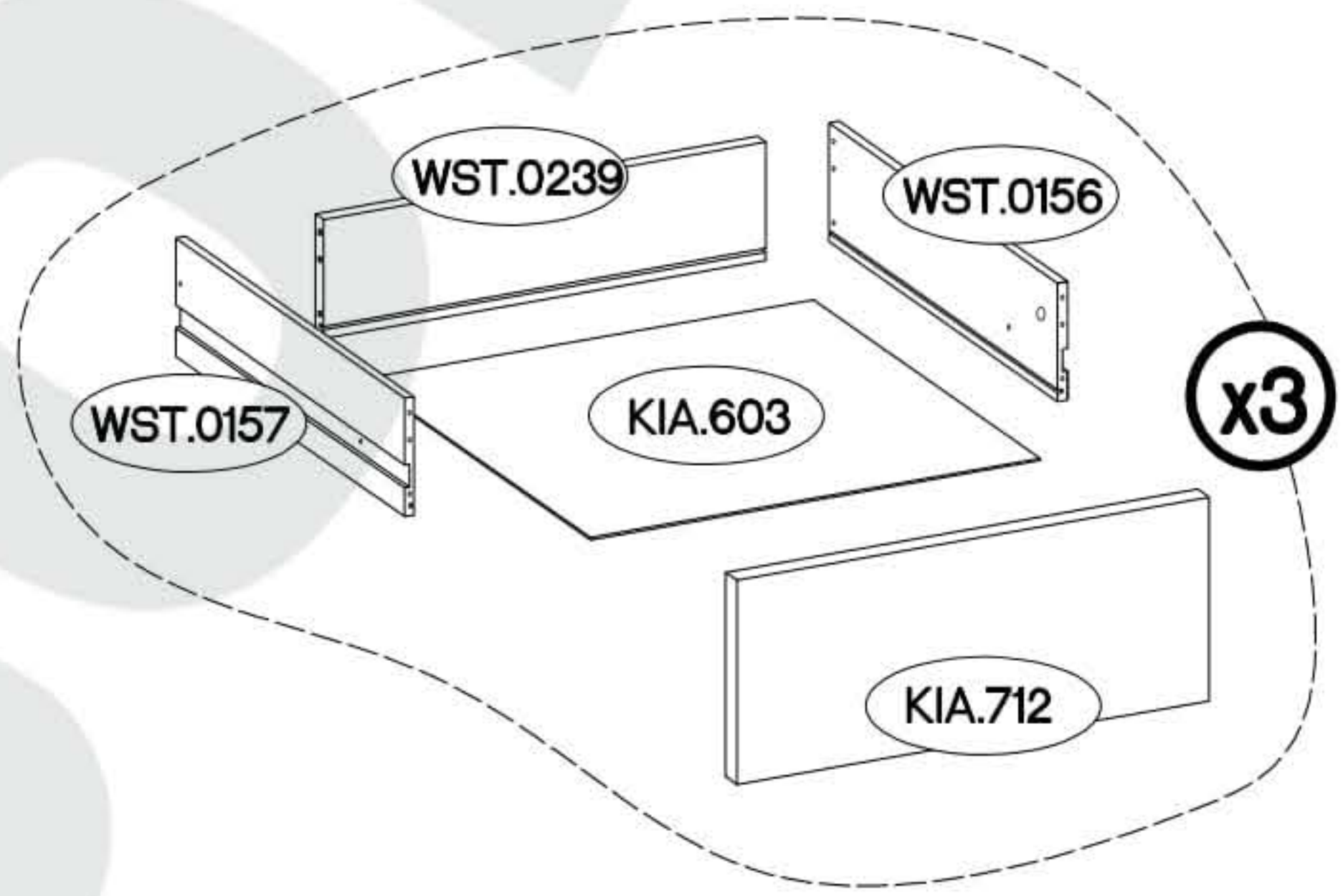
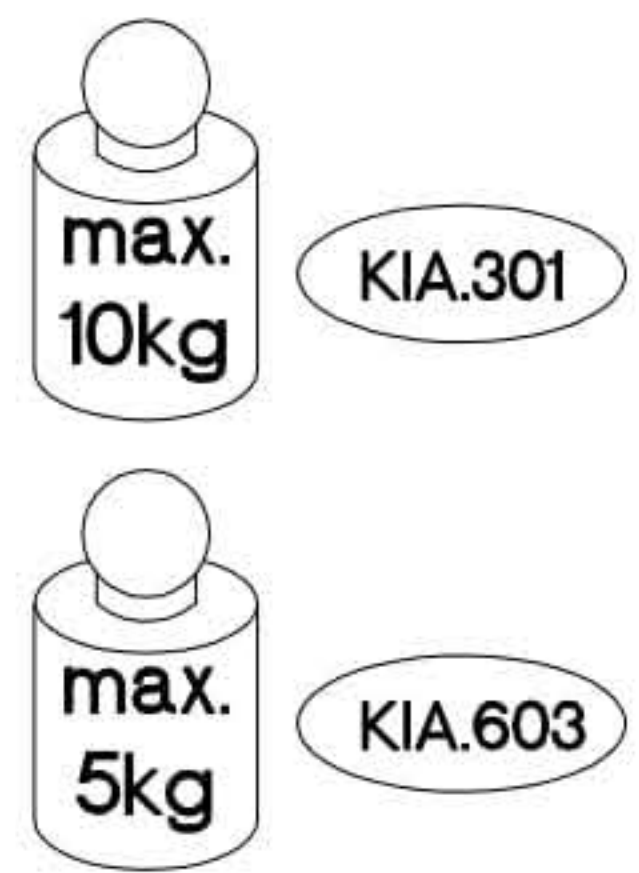
 +8x30mm A	 +8x20mm A4	 6,4 x 50mm B								
44	4	2								
 +6x42mm B2	 +15/12mm C	 +12/10mm C5	 L=20mm D2	 cza. E	 art. E					
6	14	6	20	4	6					
 6.5x48x16 F2	 +15x5mm F4	 +35/16mm HG2	 27/30mm I4	 +5/16mm J3	 +20/8mm J14	 L	 L2	 L9	 +6,3x13mm M2	 +6.3x20mm M3
4	1	2	3	4	6	22	5	1	6	6
 O	 +10x50mm O7	 0,05 O11	 +4.0x16mm P1	 +3.5x13mm P5	 +3.0x20mm P7	 +3.5x25mm BLACK P25	 L=128mm S	 T3	 M4x22mm U	 M4x9mm U1
1	1	1	2	5	13	14	4	1	8	6

ISM-KIA-009






Colli	Ersatzteil Nummer	Dimension
1/2	KIA.111	893x430x16
	KIA.112	893x430x16
	KIA.415	1158x415x16
	KIA.416	1158x407x16
	KIA.603 x3	540x327x2,5
	KIA.917	1158x100x16
	KIA.918	1158x100x16
	KIA.919	1158x95x16
	KIA.904 x2	783x400x16

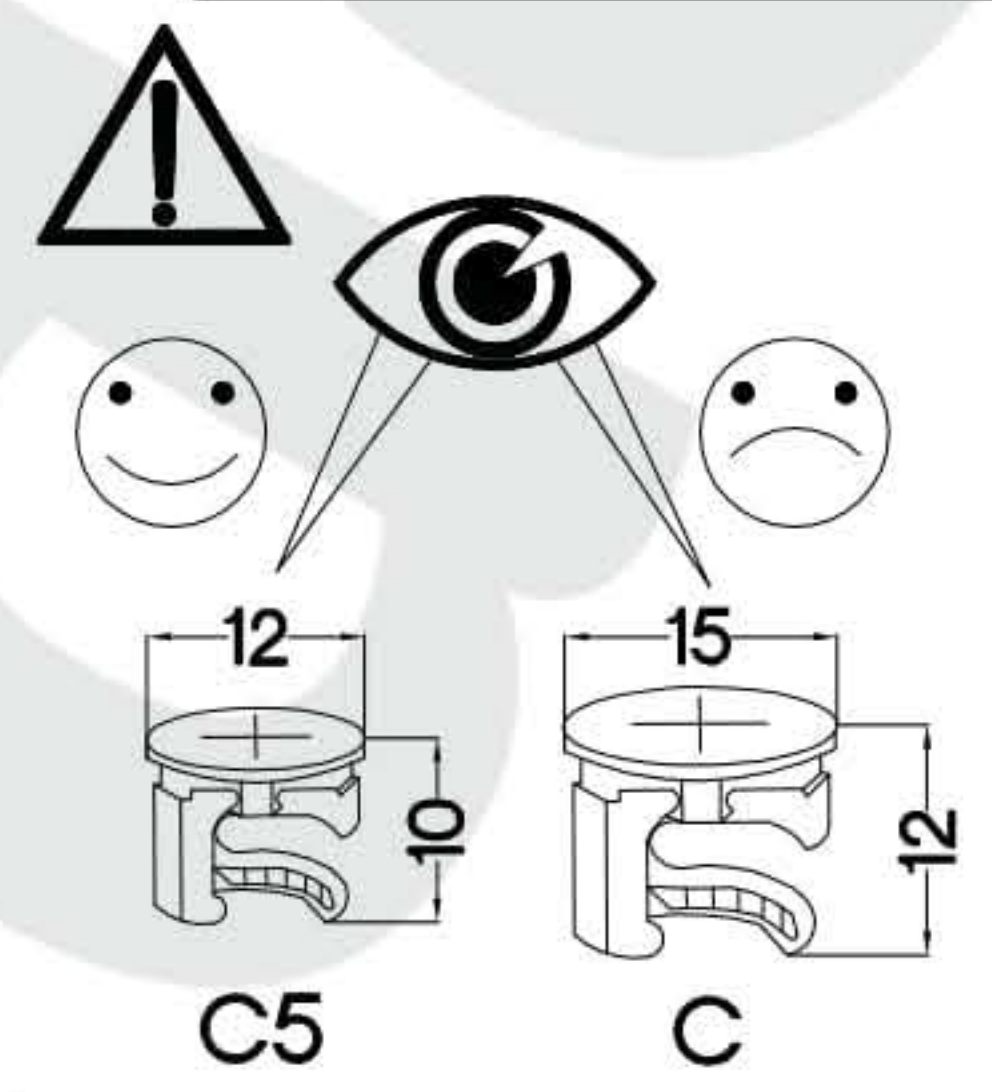
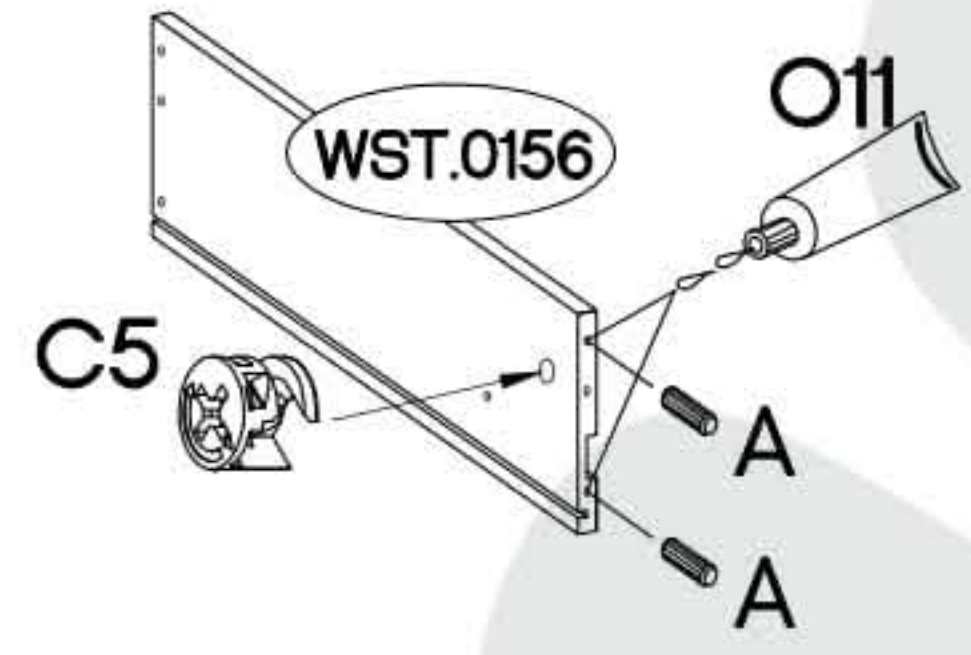
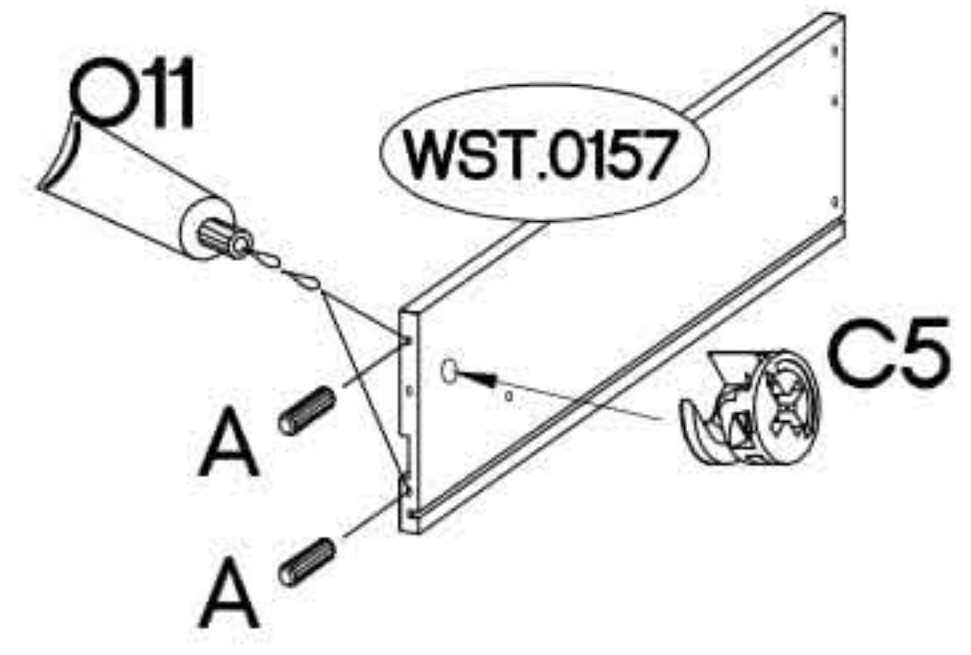
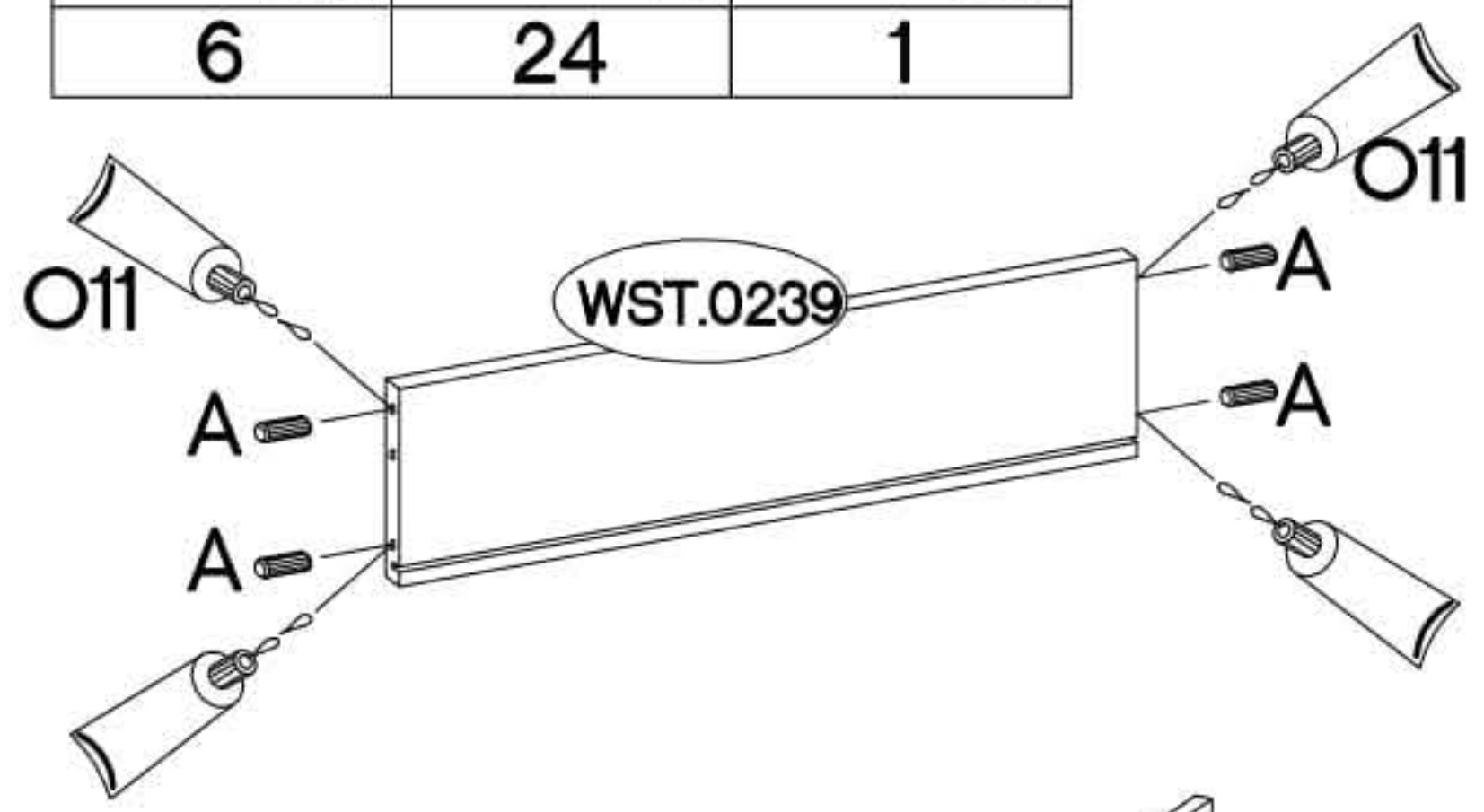
Colli	Ersatzteil Nummer	Dimension
2/2	KIA.301	570x373x16
	KIA.509	735x406x16
	KIA.601 x2	770x583x2,5
	KIA.701	567x729x16
	KIA.712 x3	567x241x16
	WST.0156 x3	330x140x12
	WST.0157 x3	330x140x12
	WST.0239 x3	530x140x12



1



±12/10mm  C5 6	±8x30mm  A 24	0,05  O11 1
---	--	--

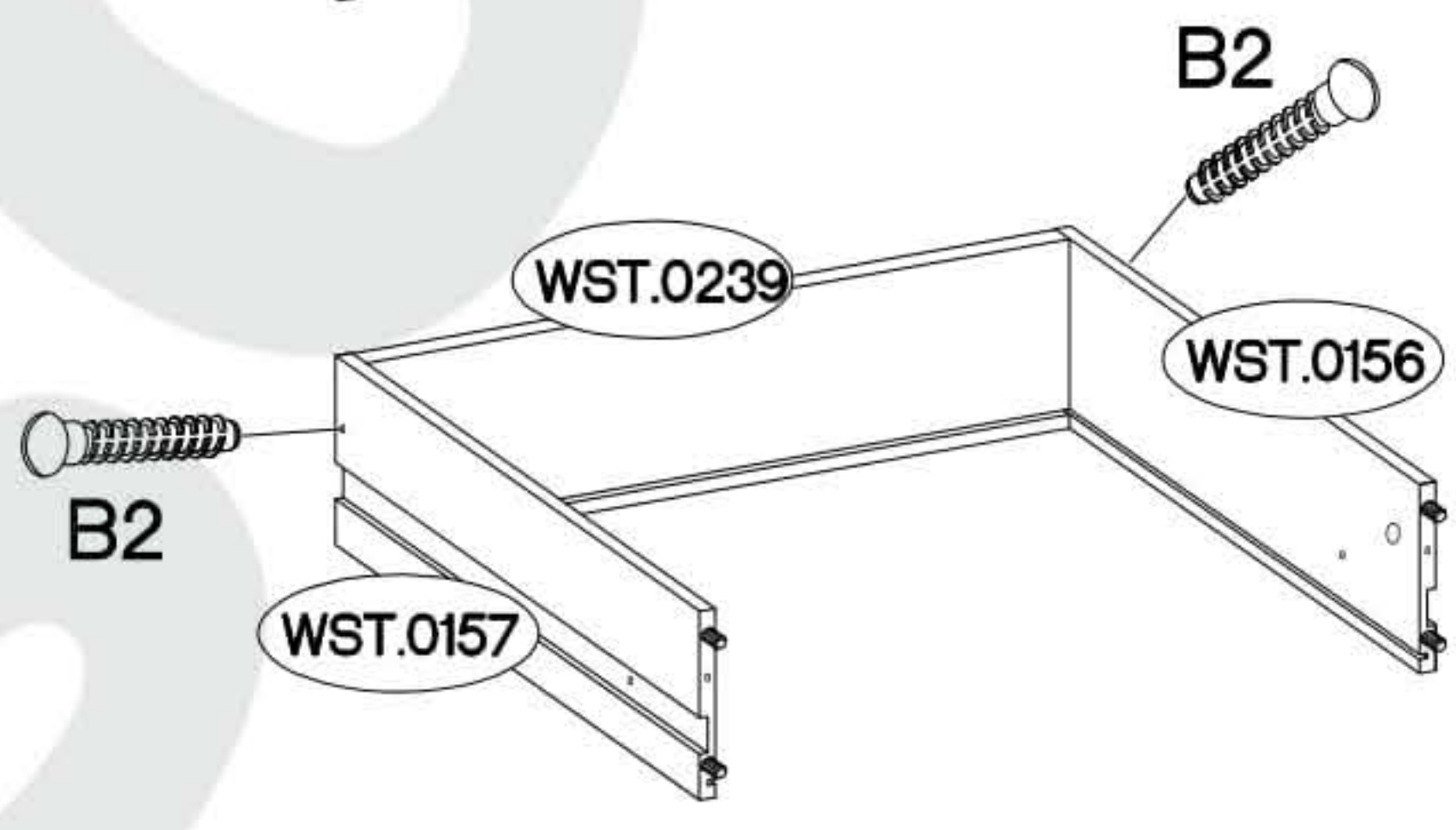
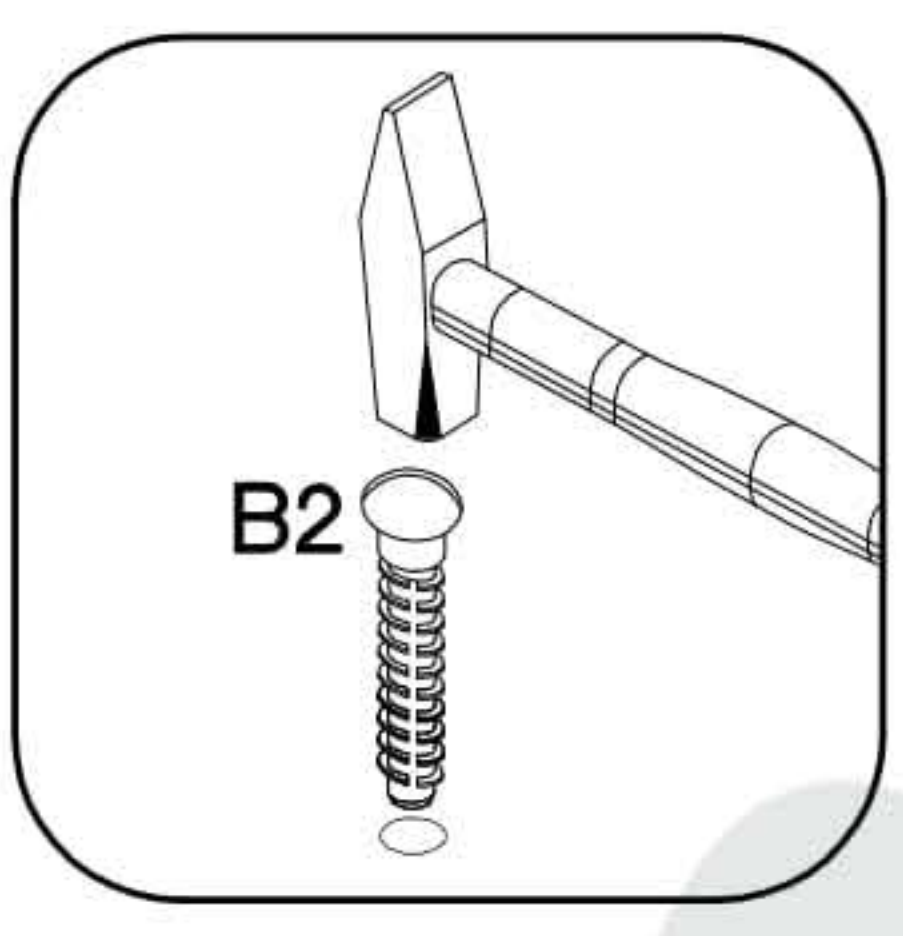
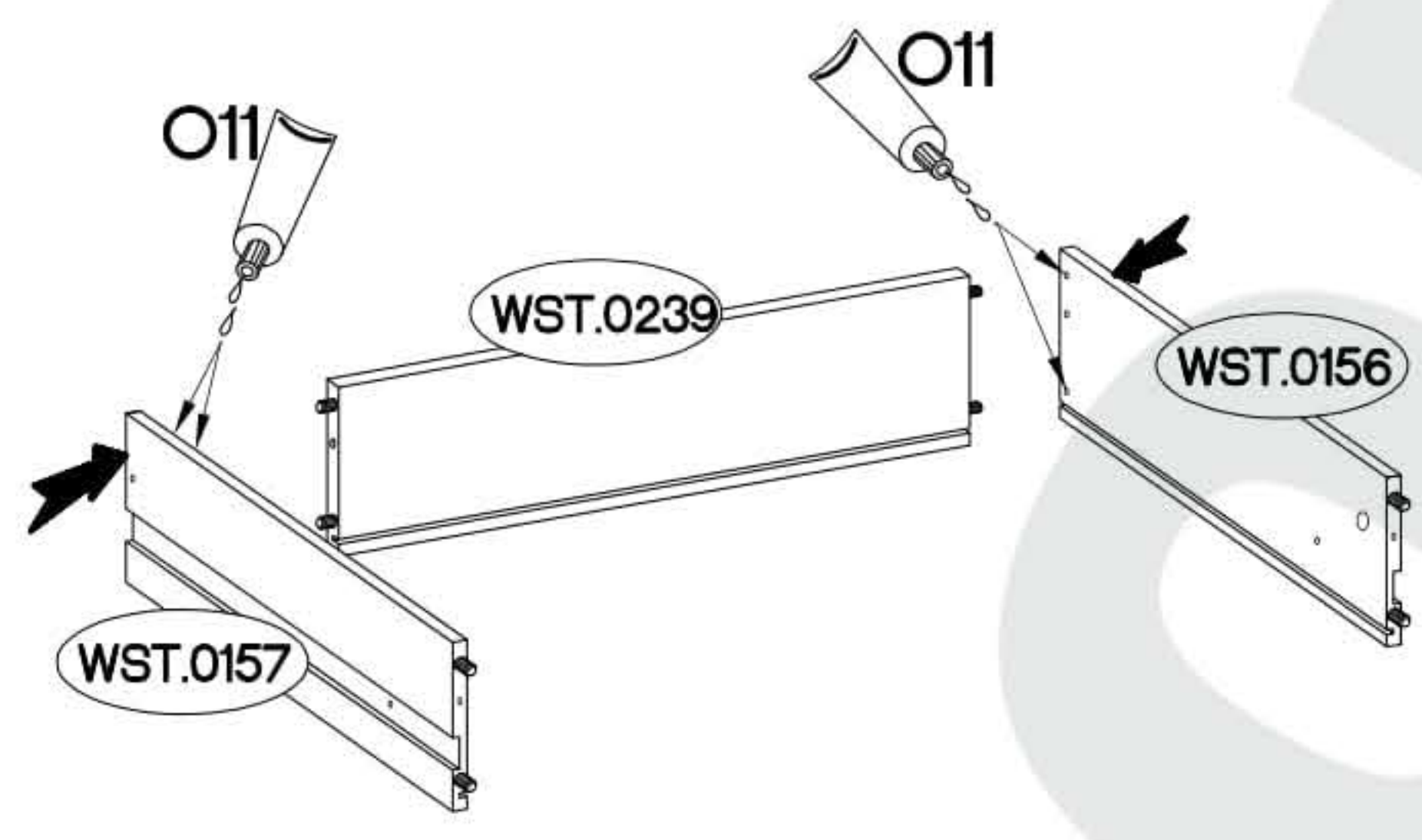
x3




2

x3

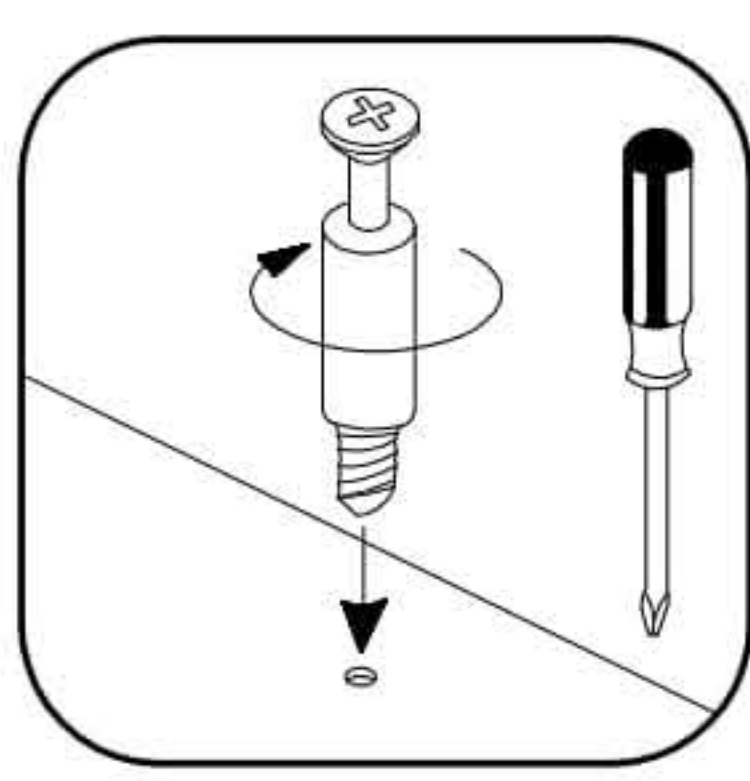
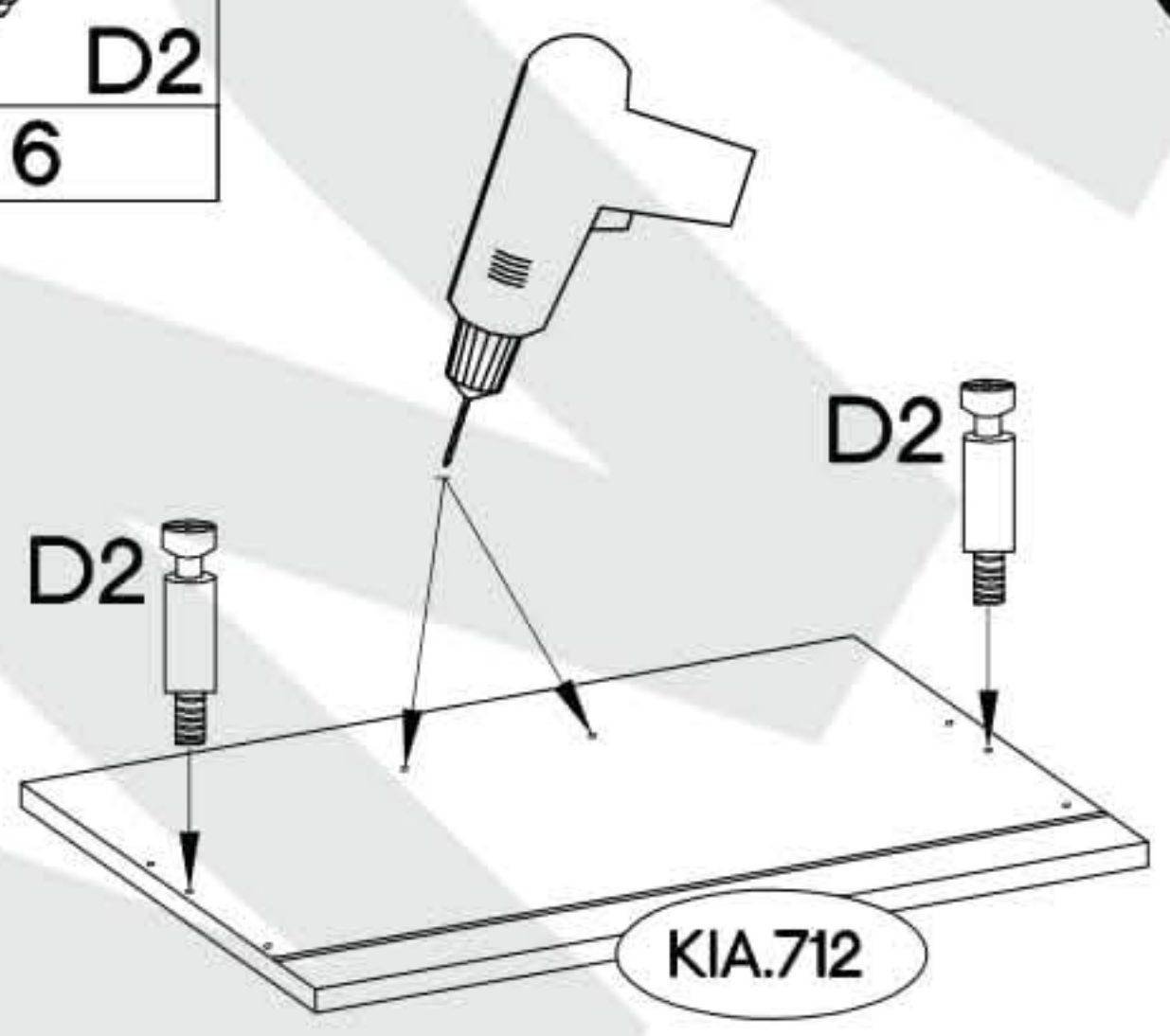
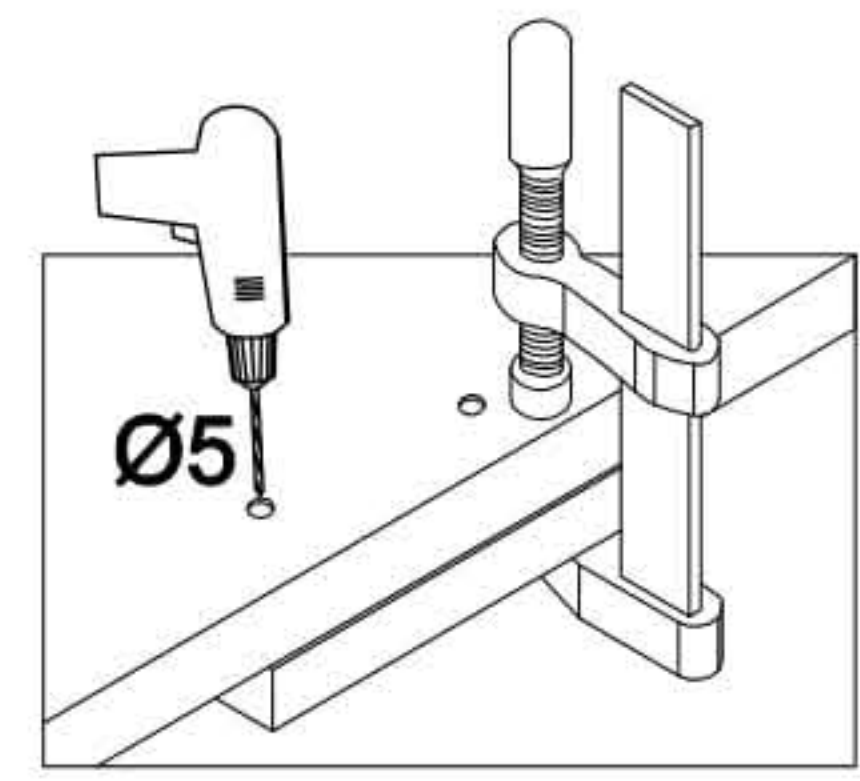
±6x42mm  B2 6	0,05  O11 1
---	---



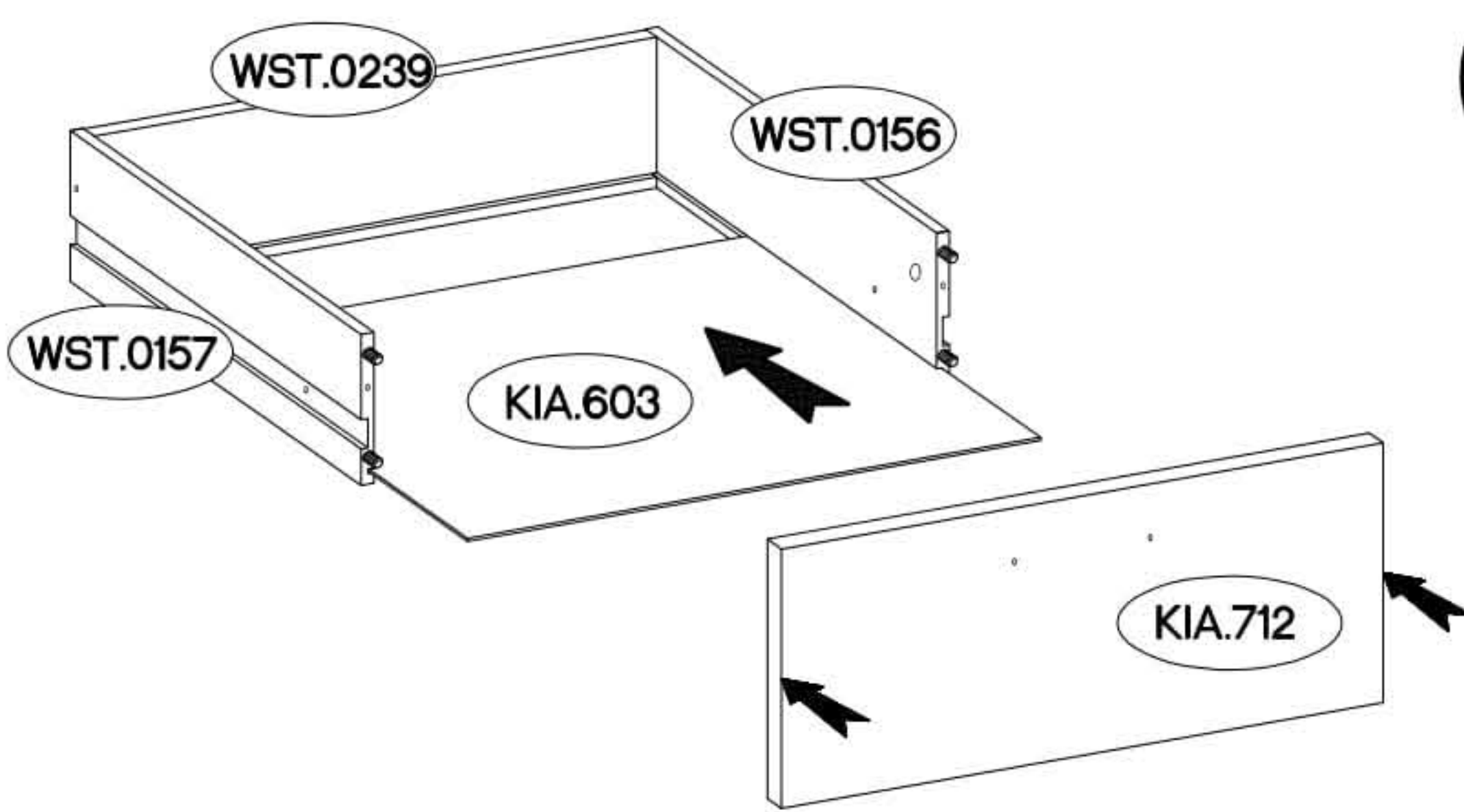
3

L=20mm  D2 6
--

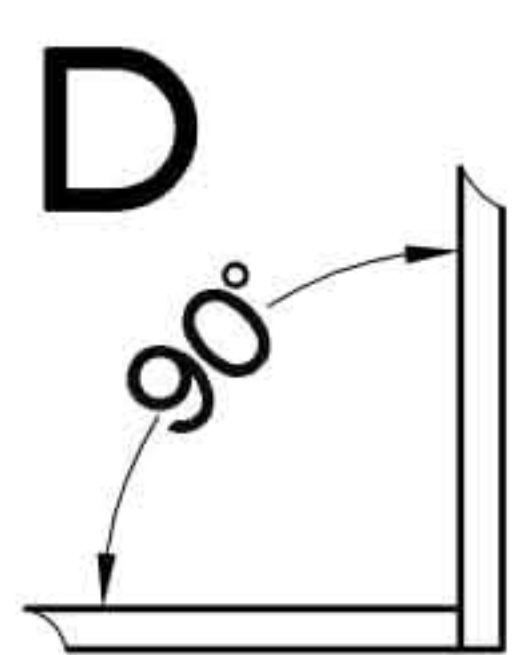
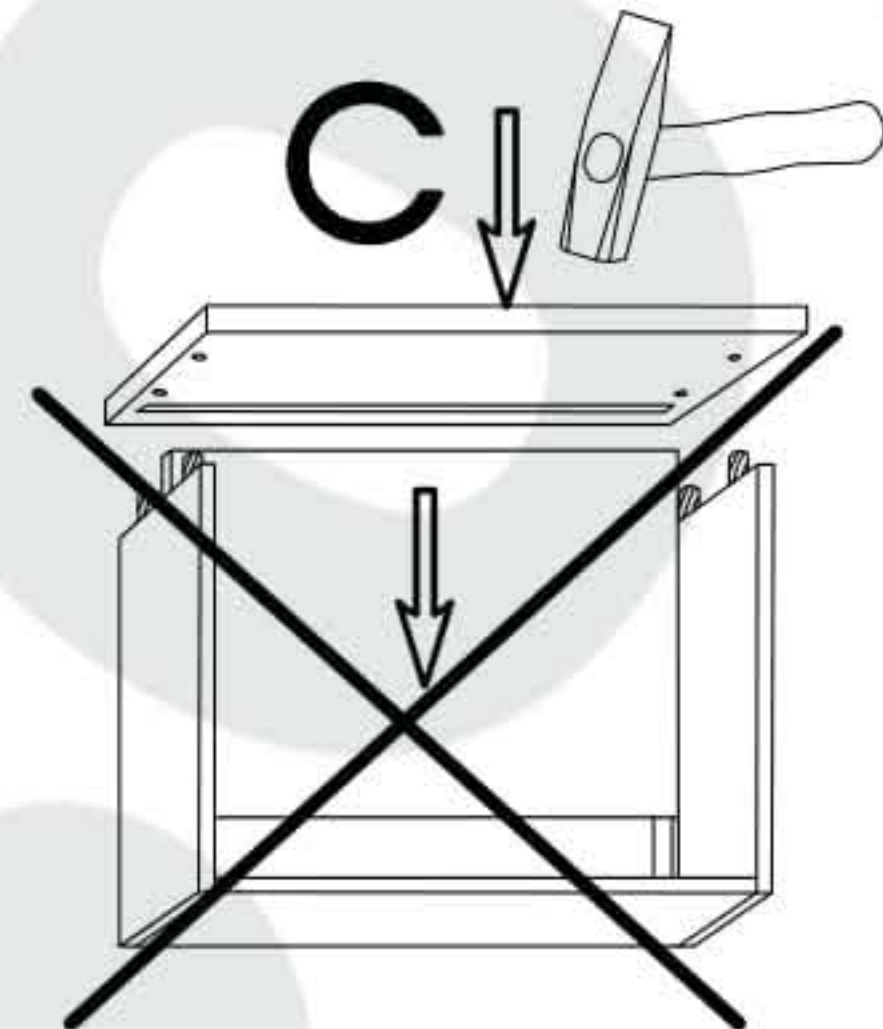
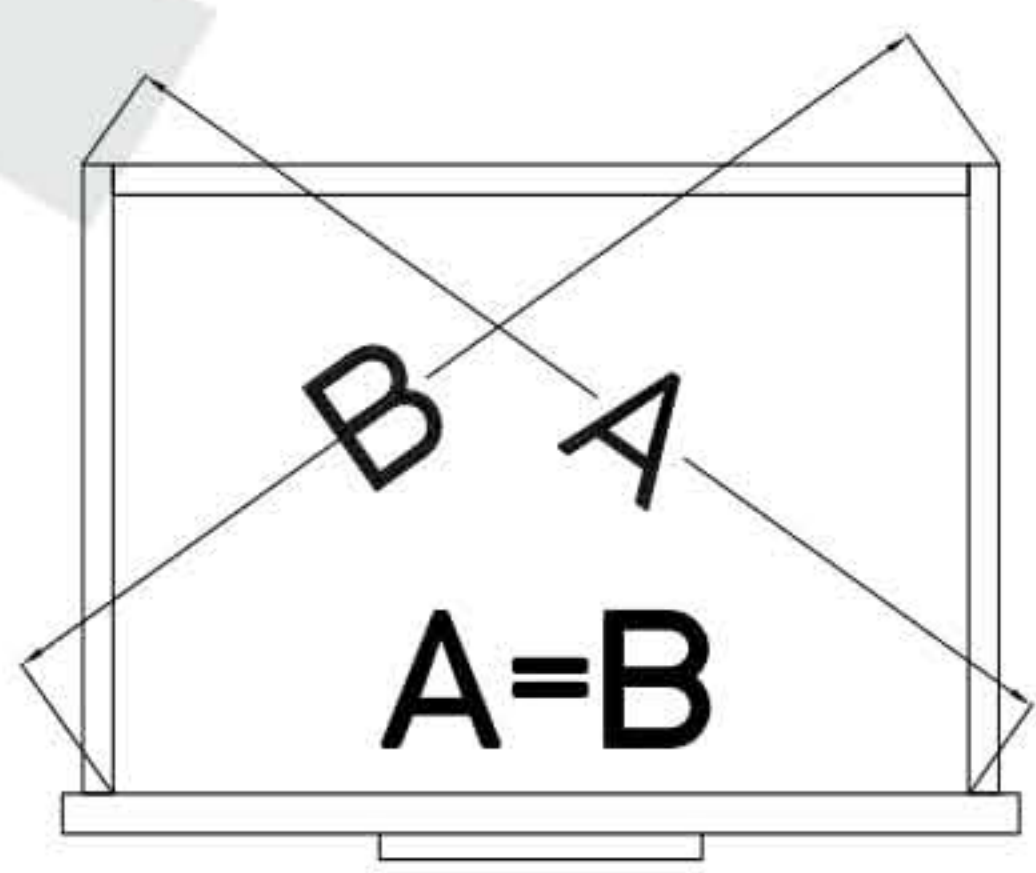
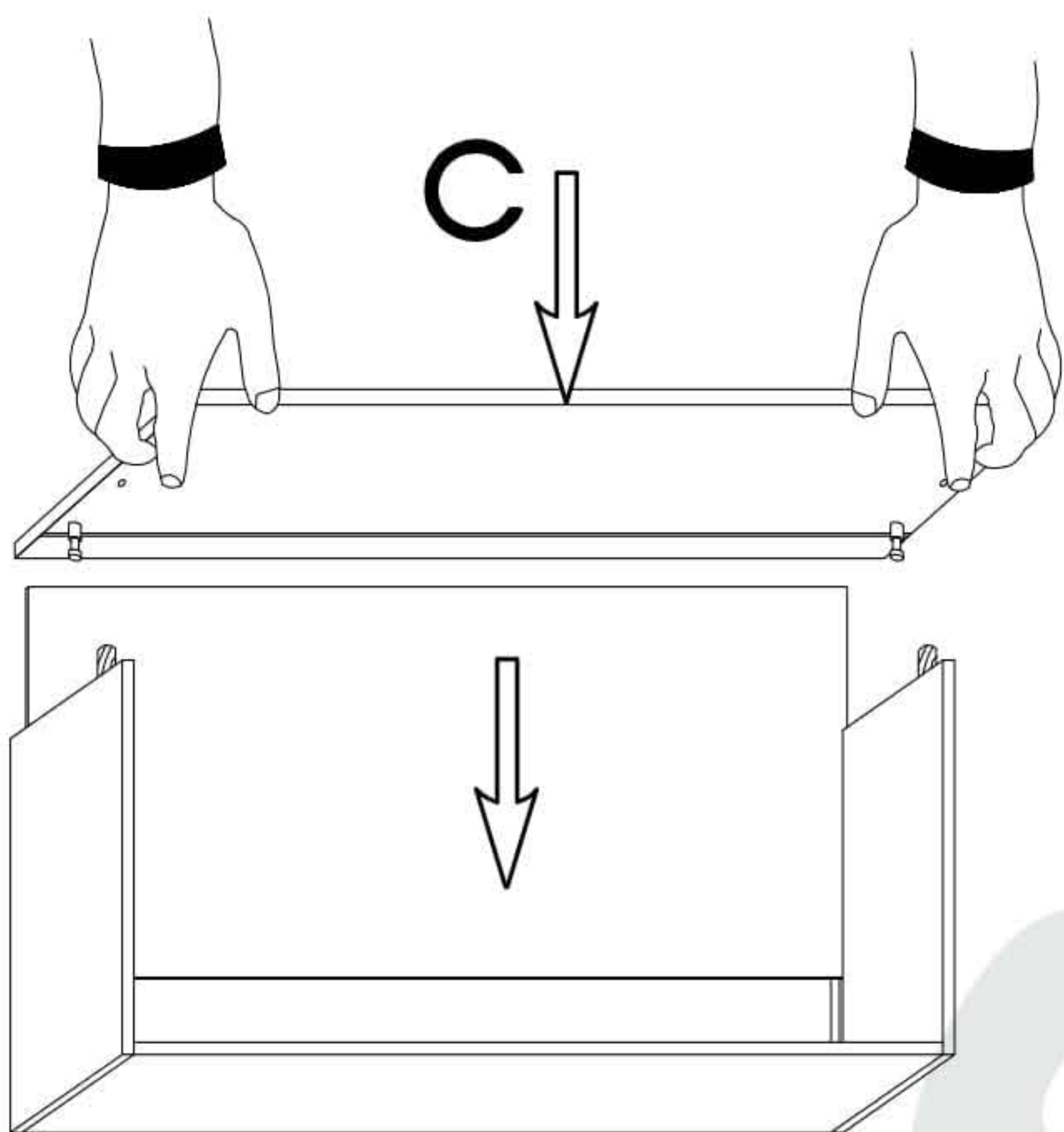
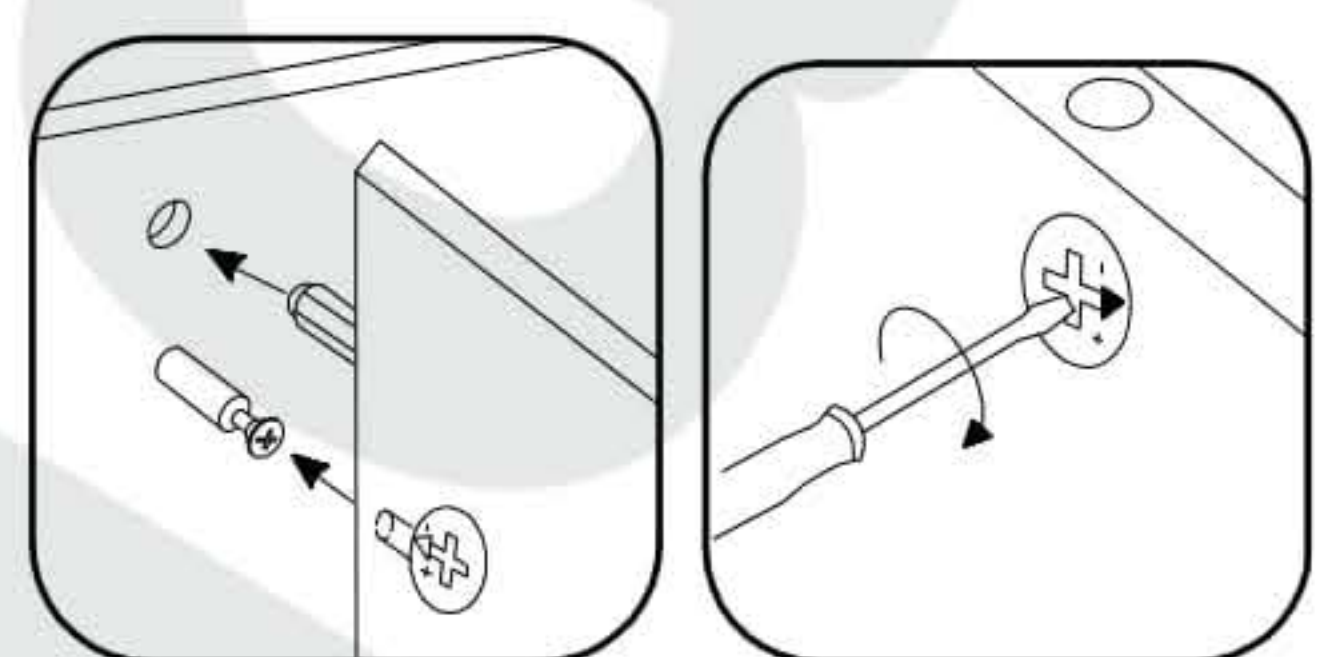
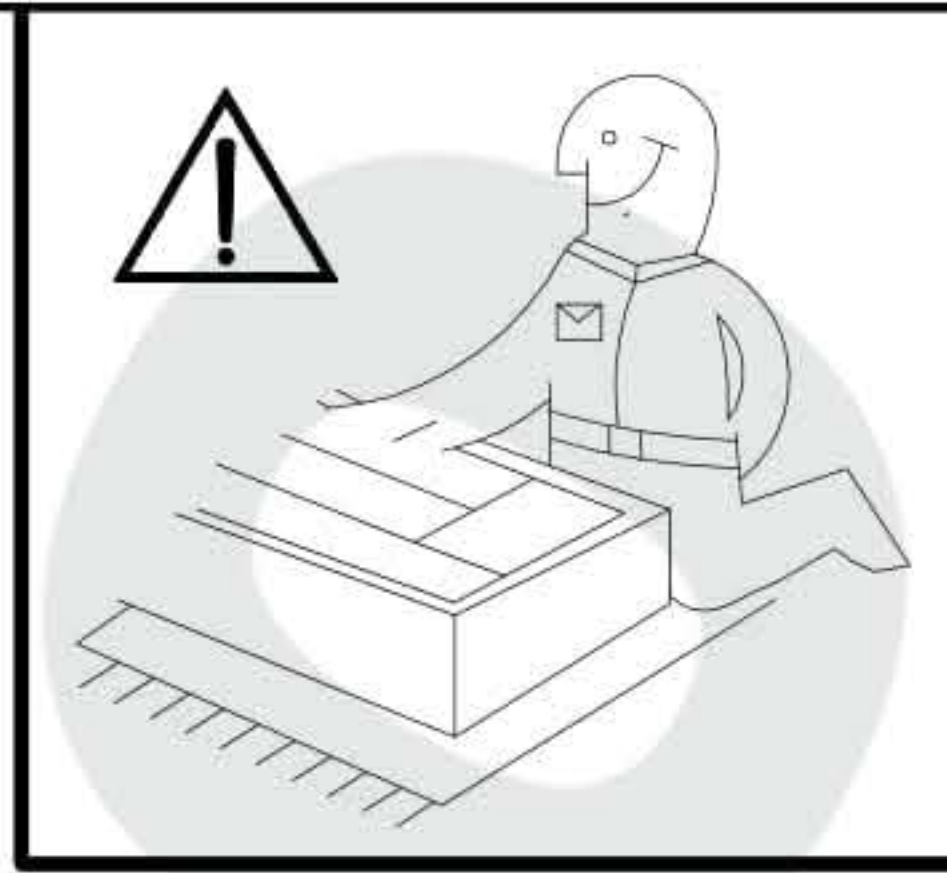
x3



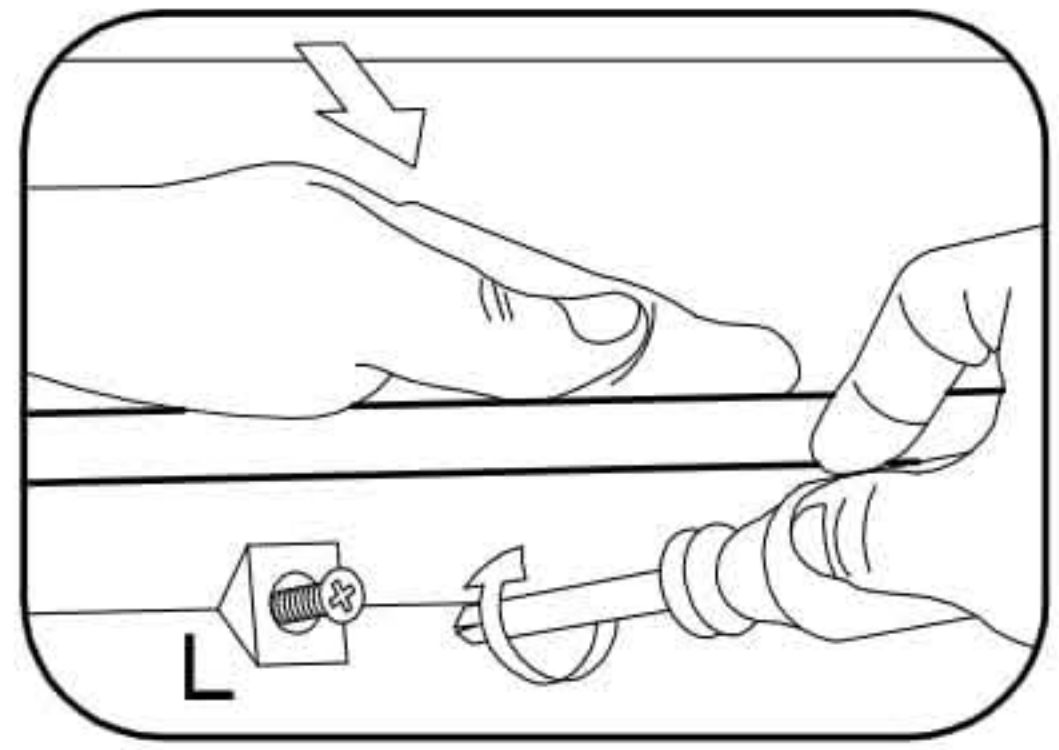
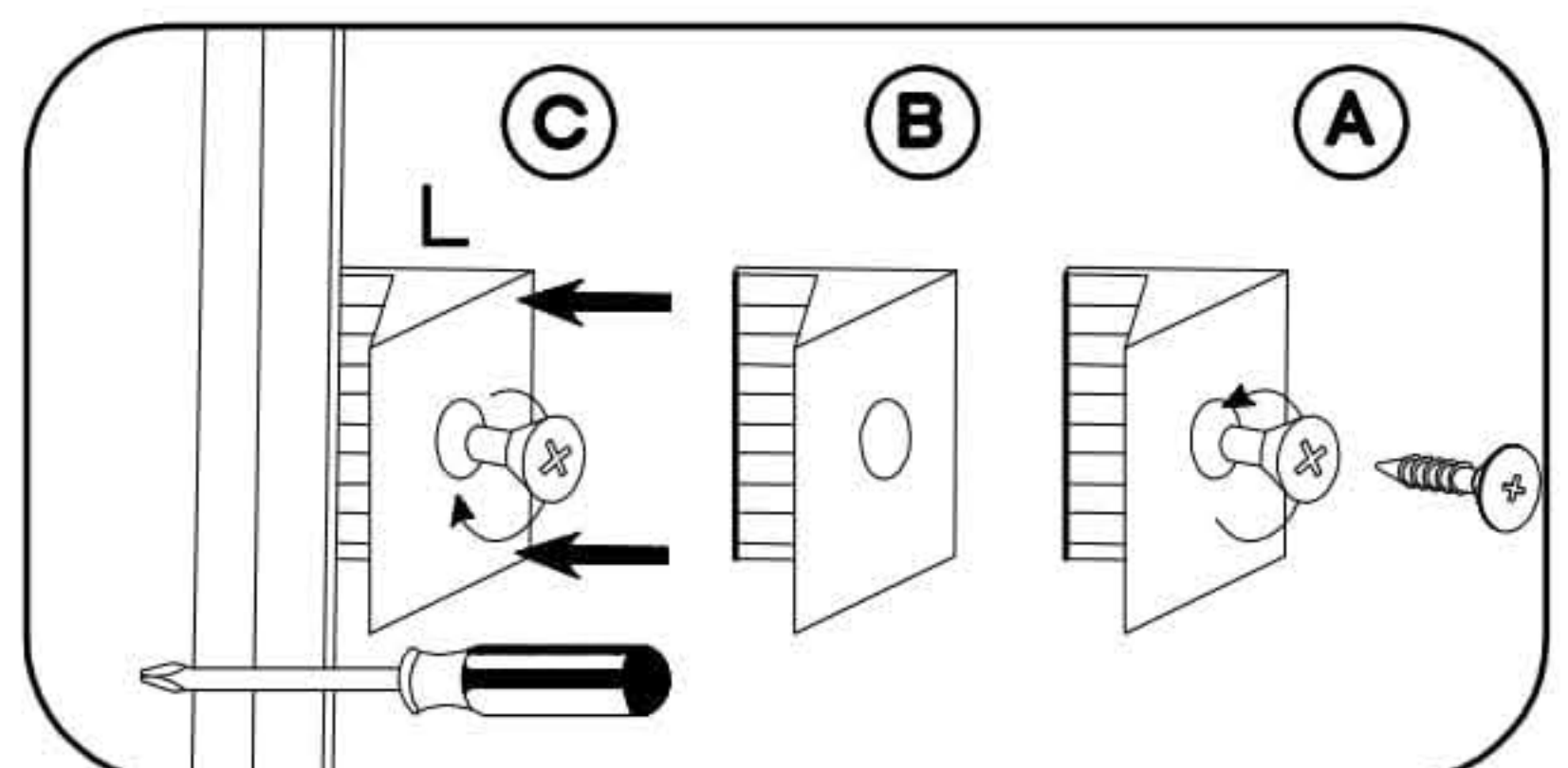
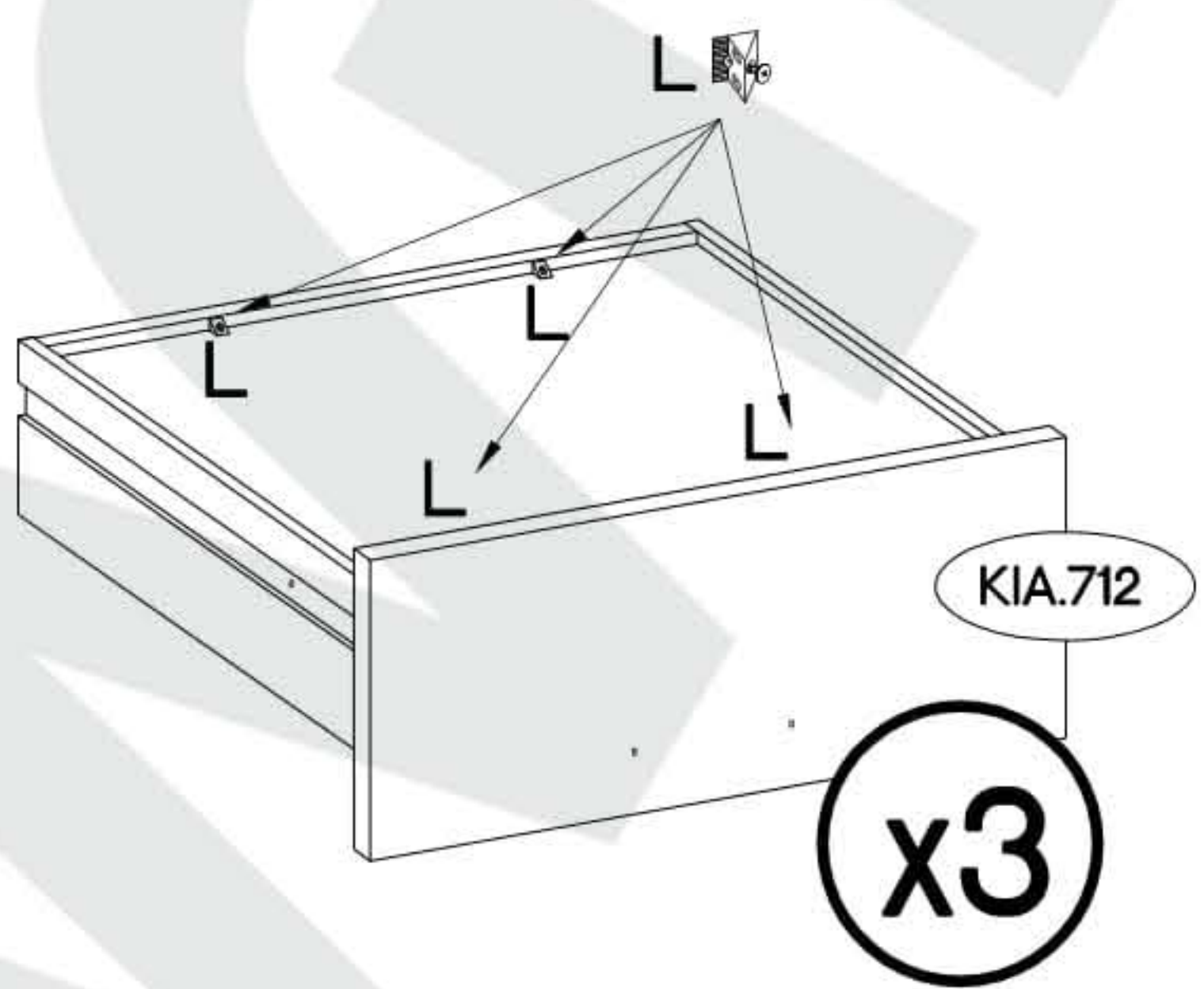
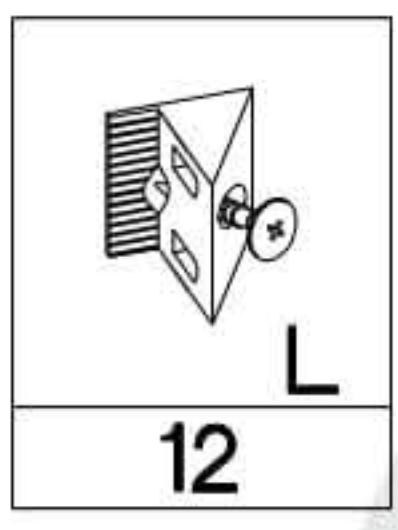
4



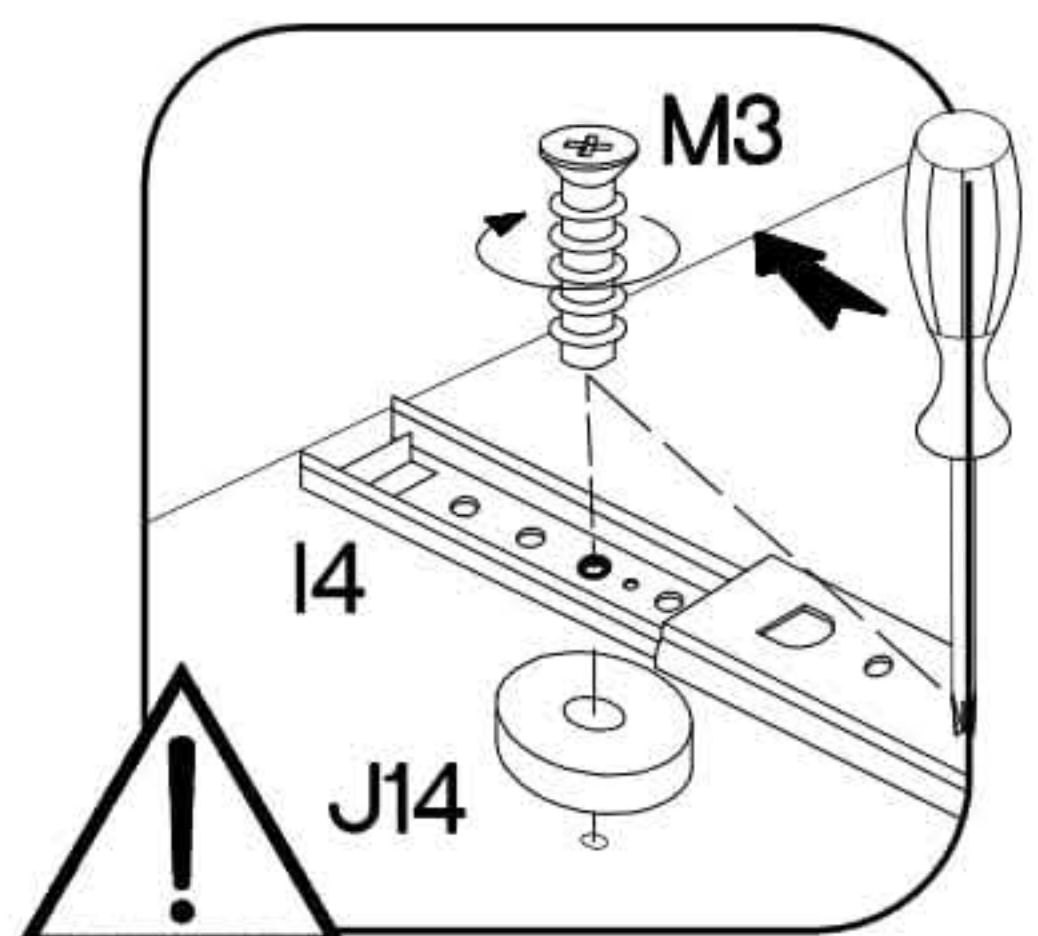
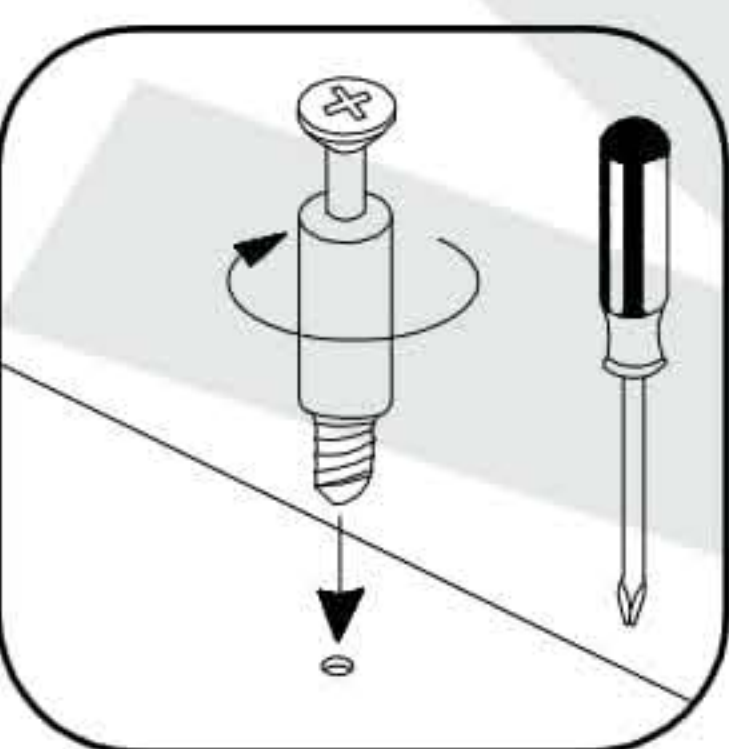
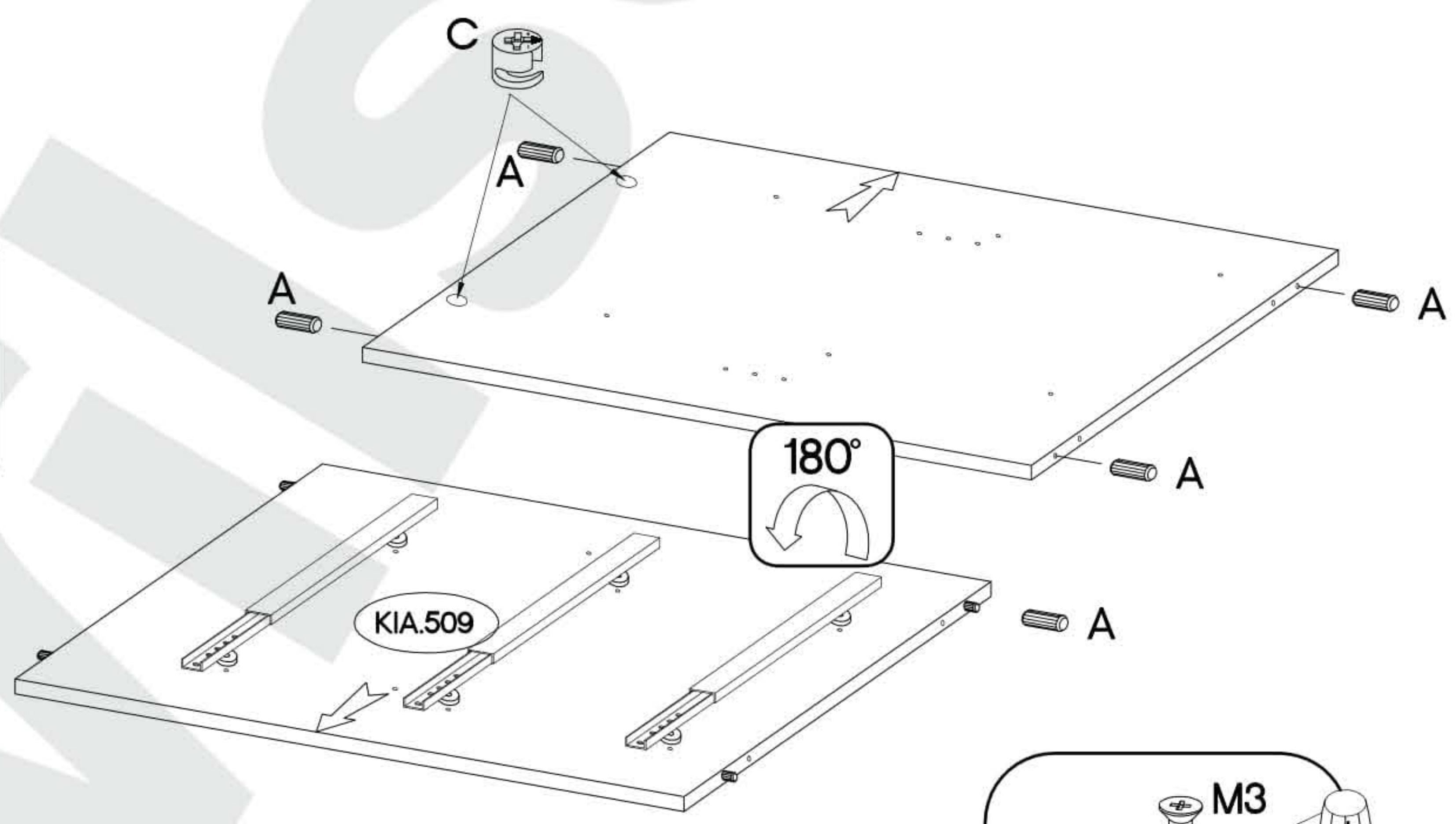
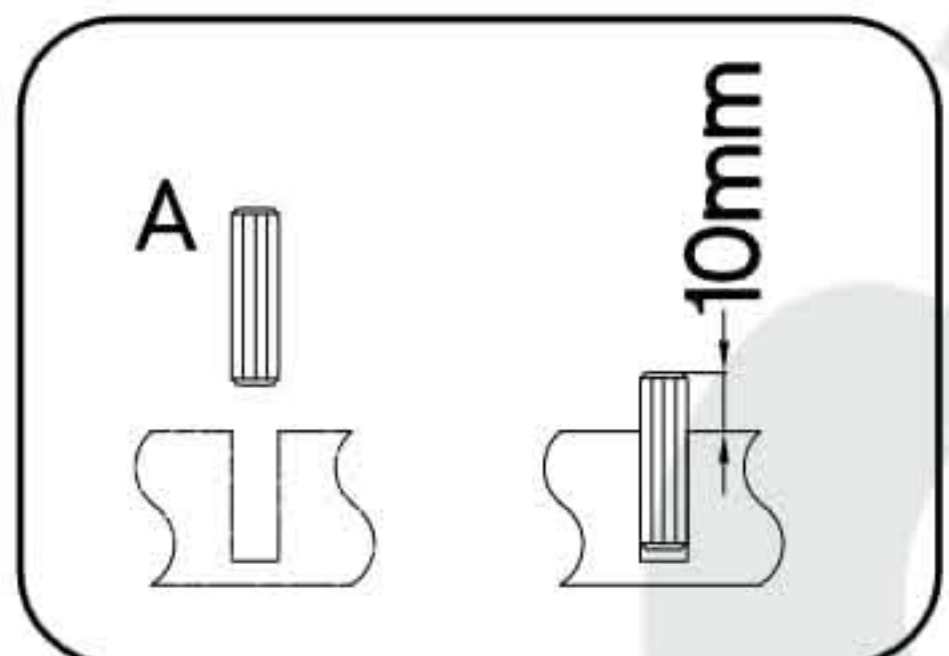
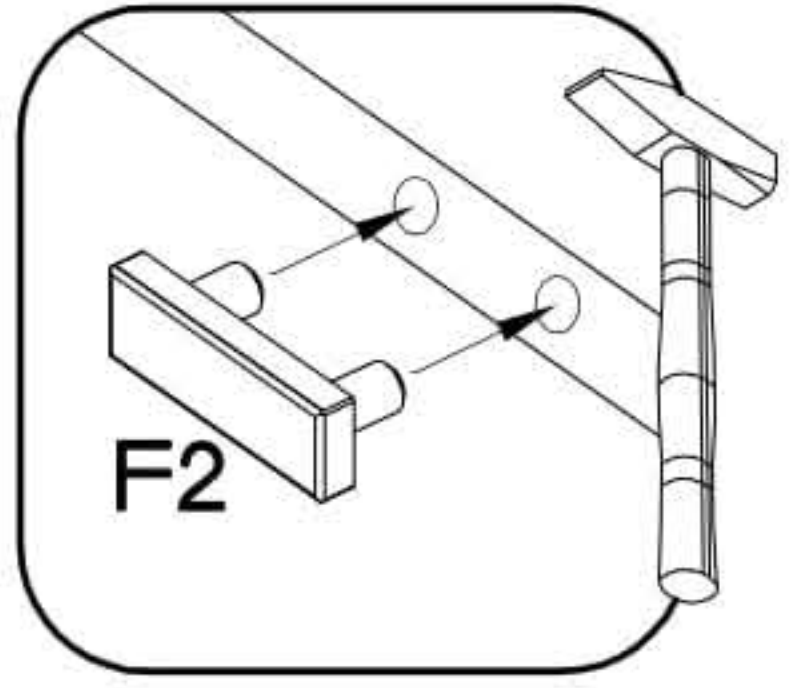
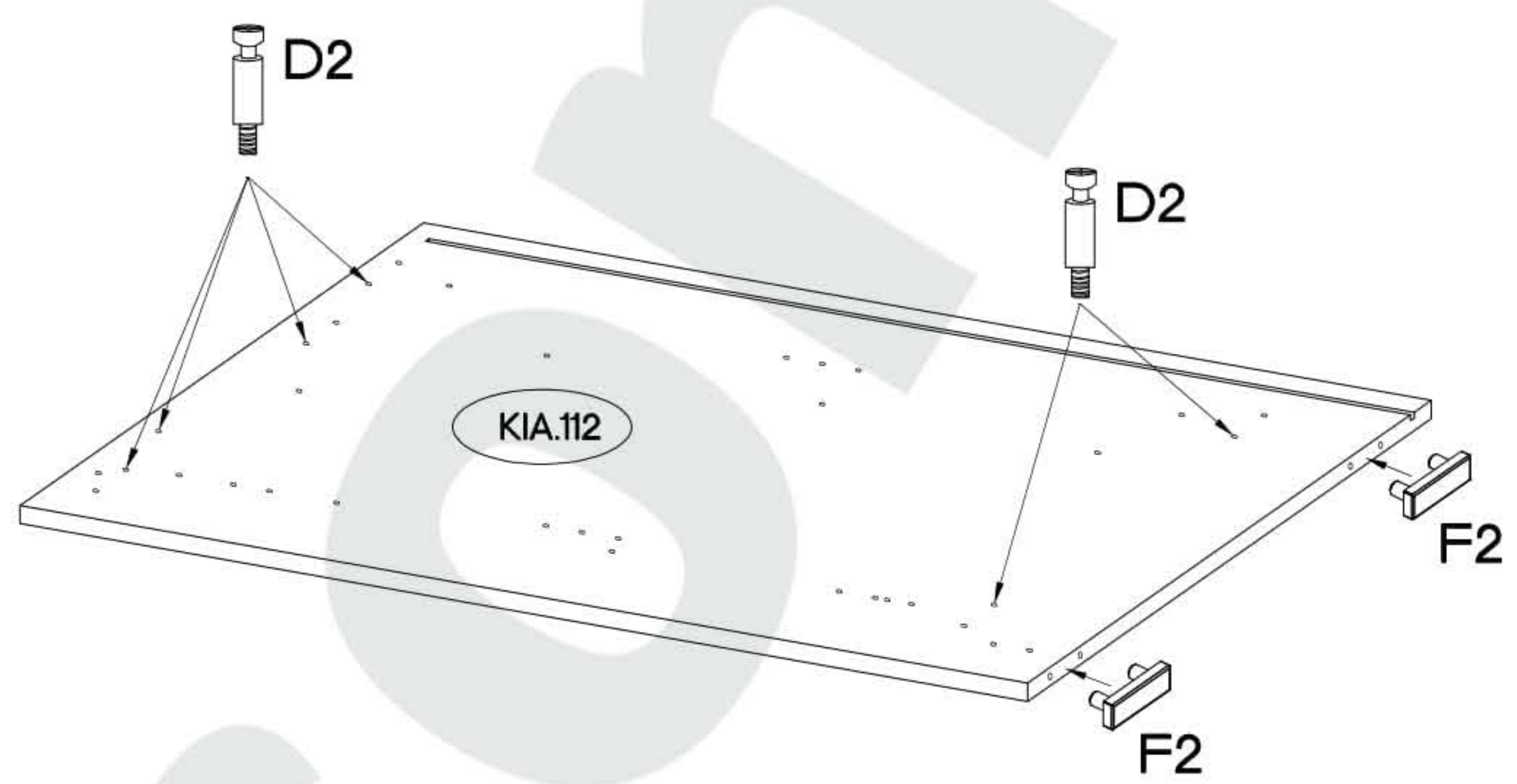
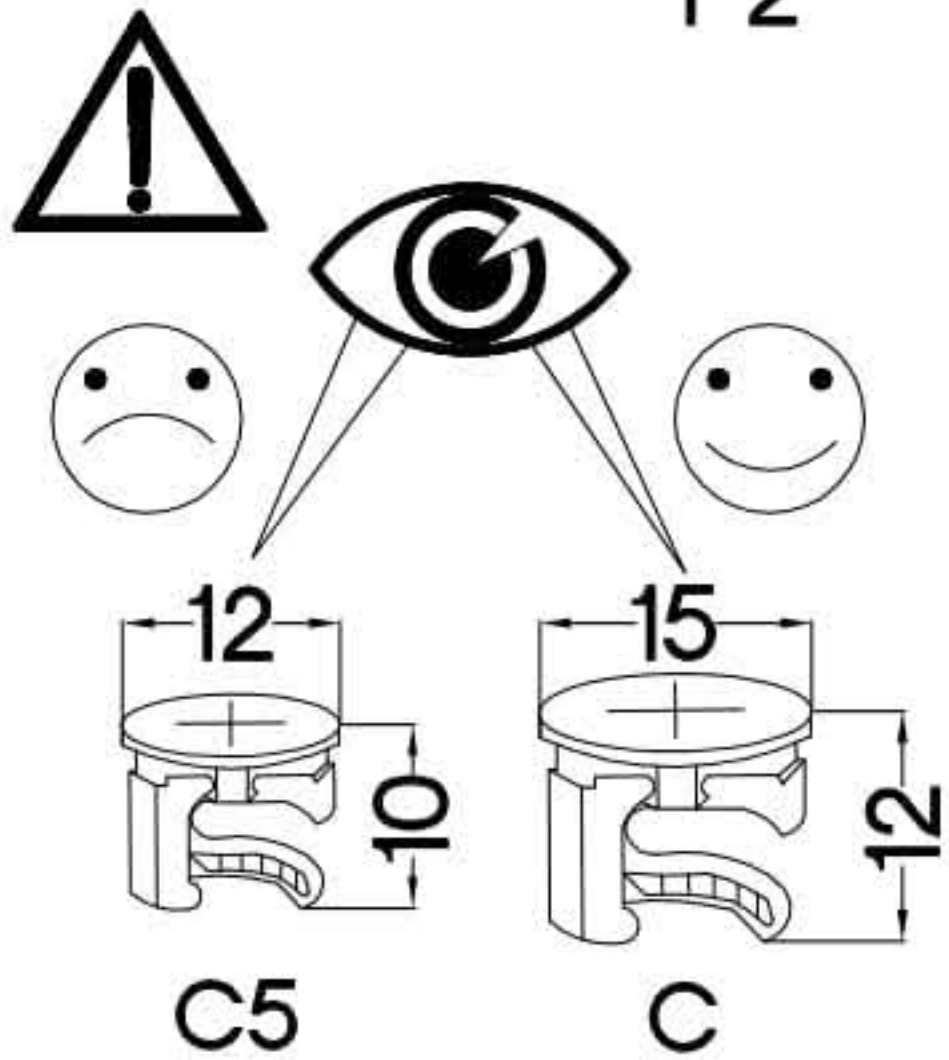
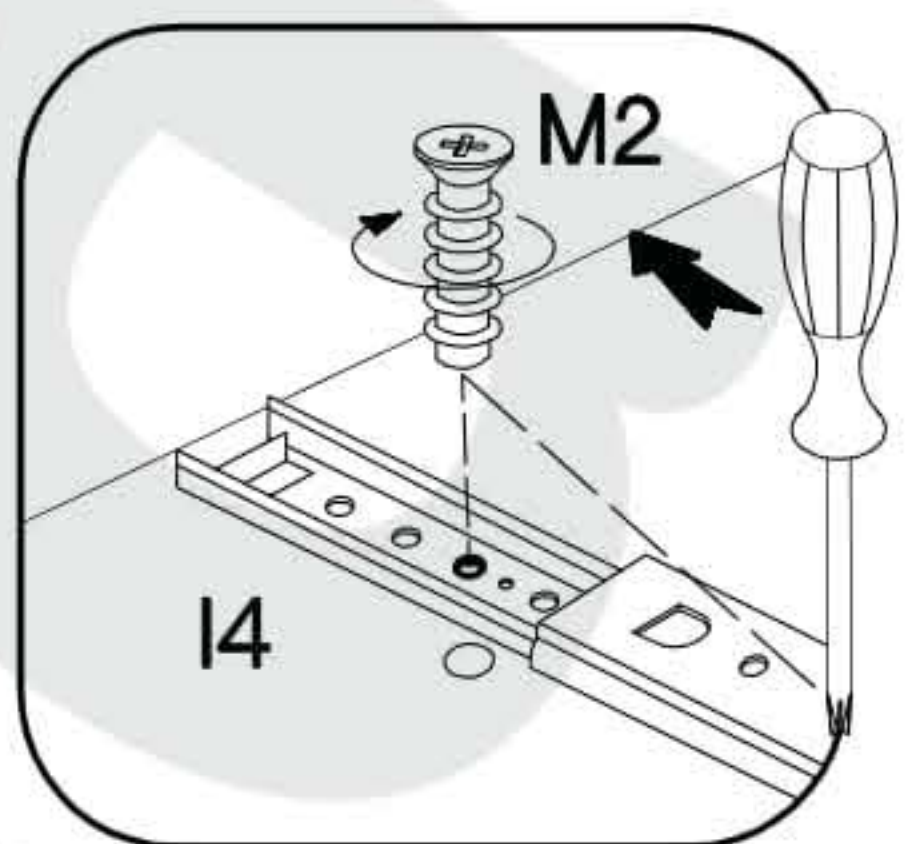
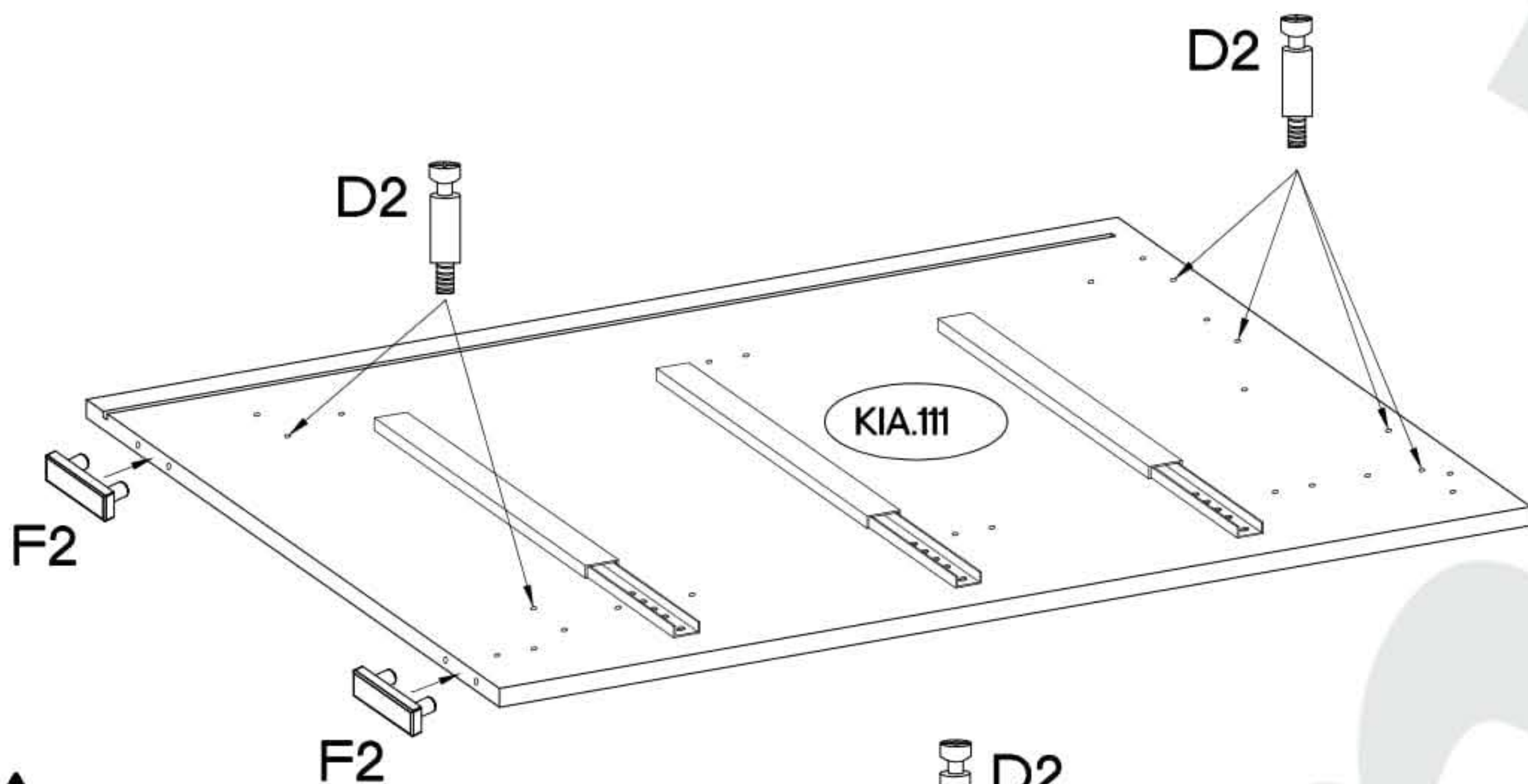
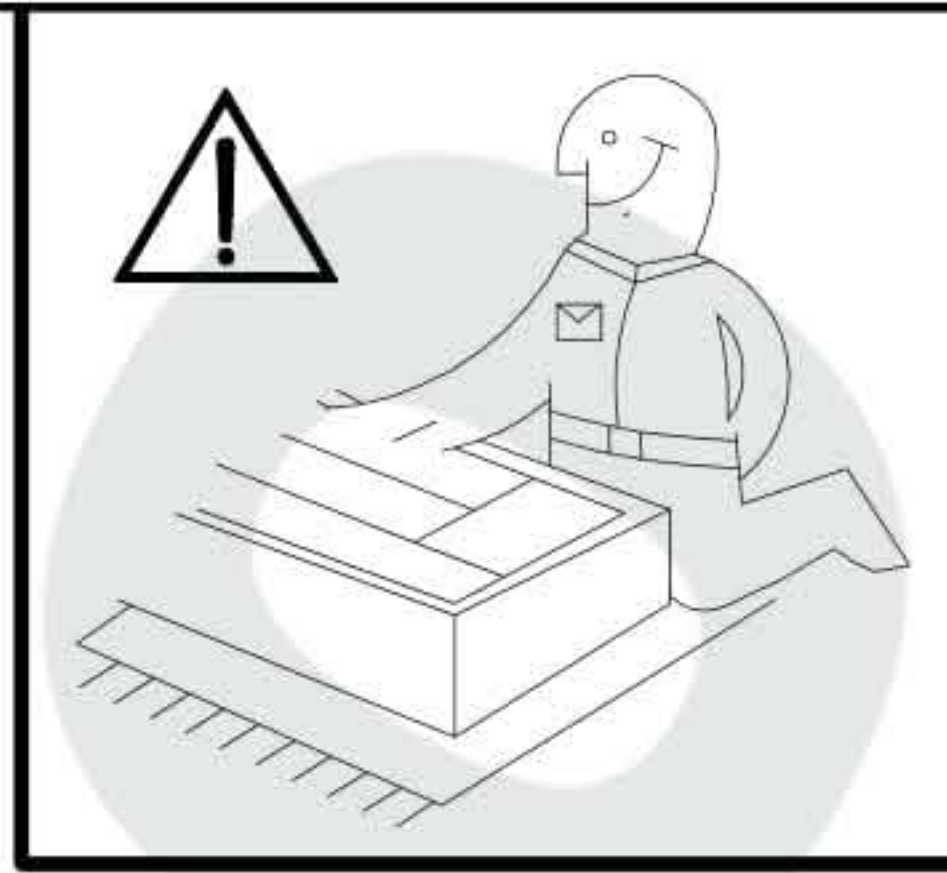
x3




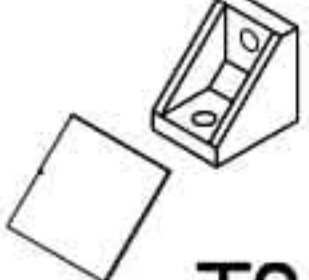




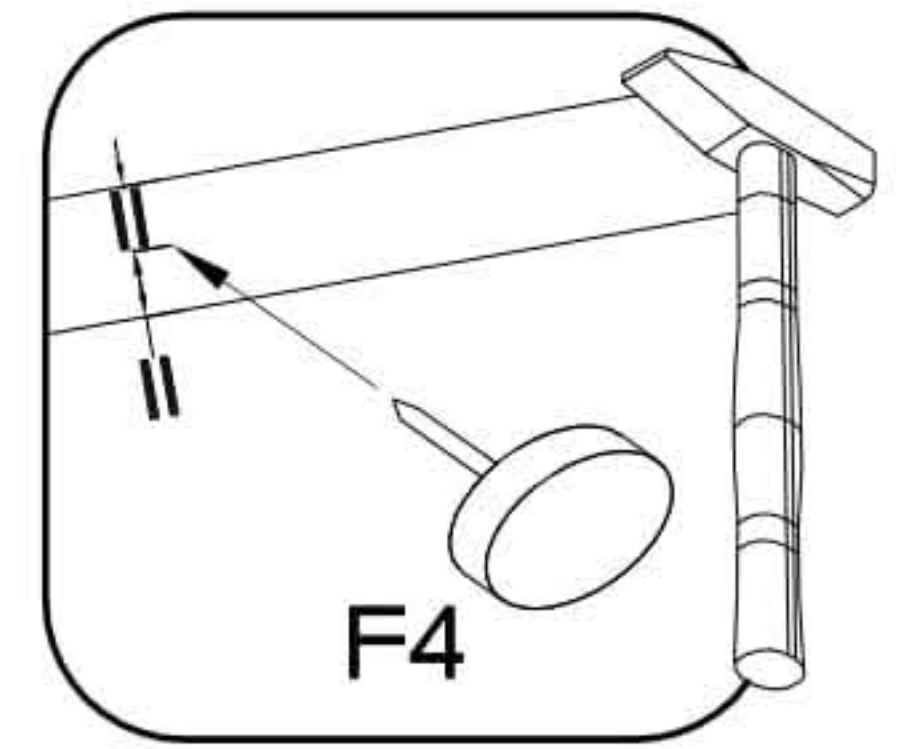
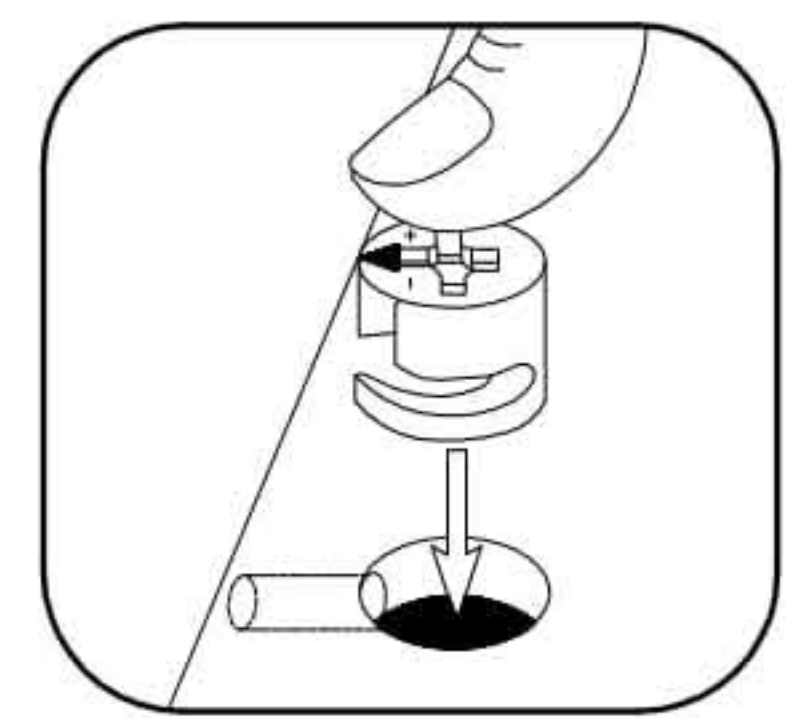
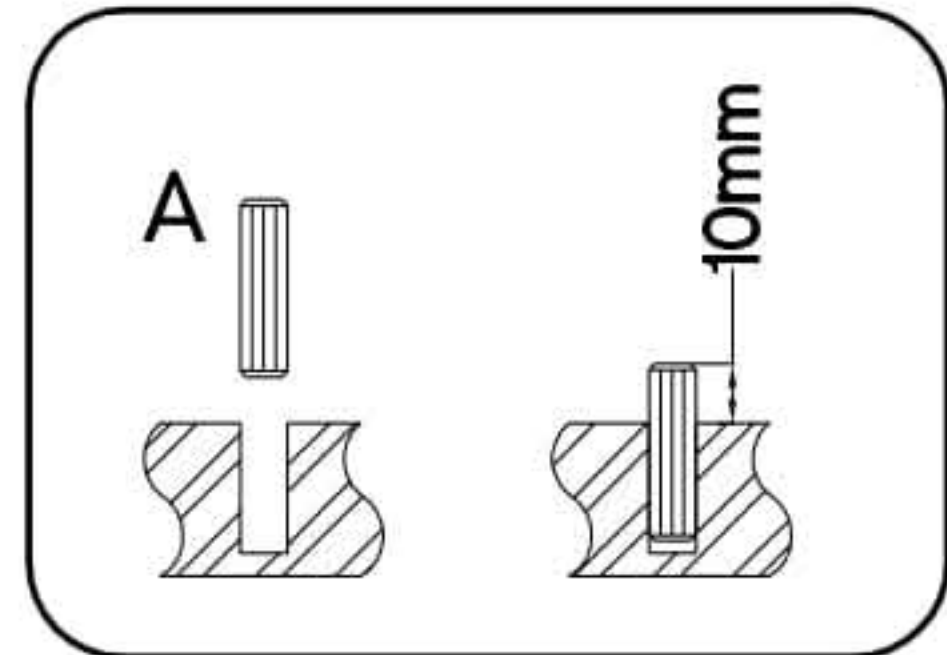
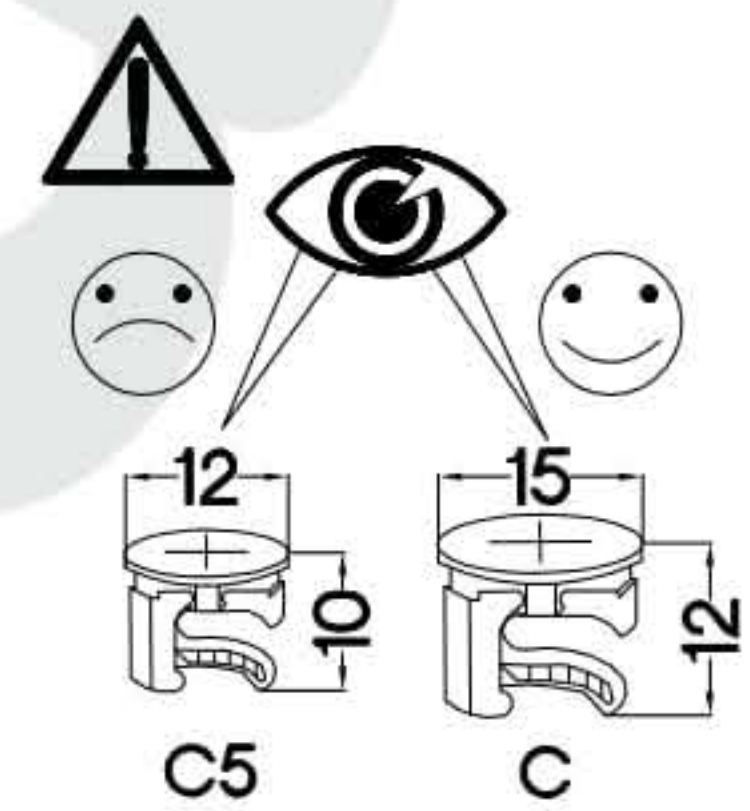
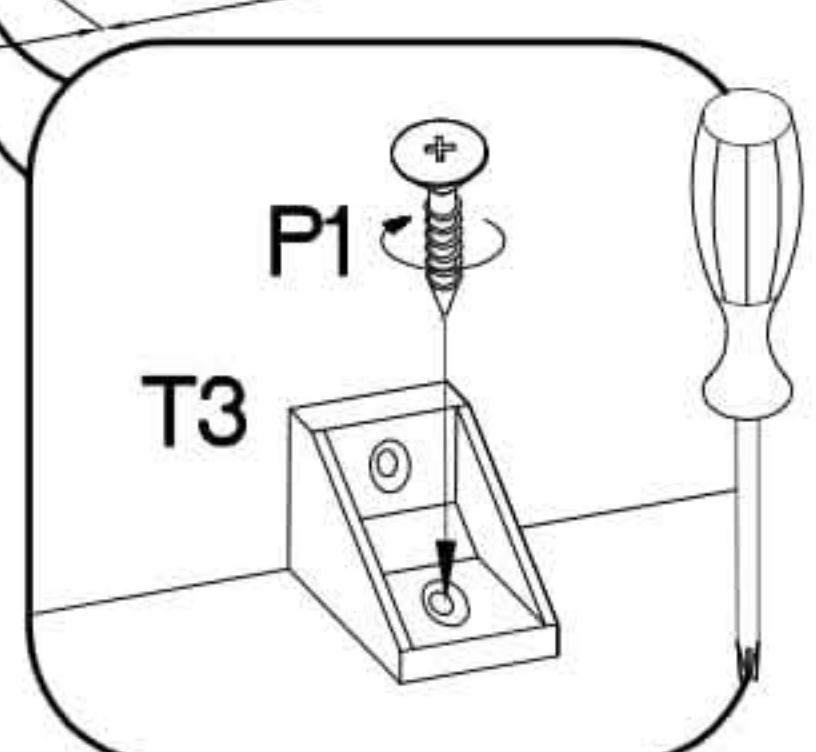
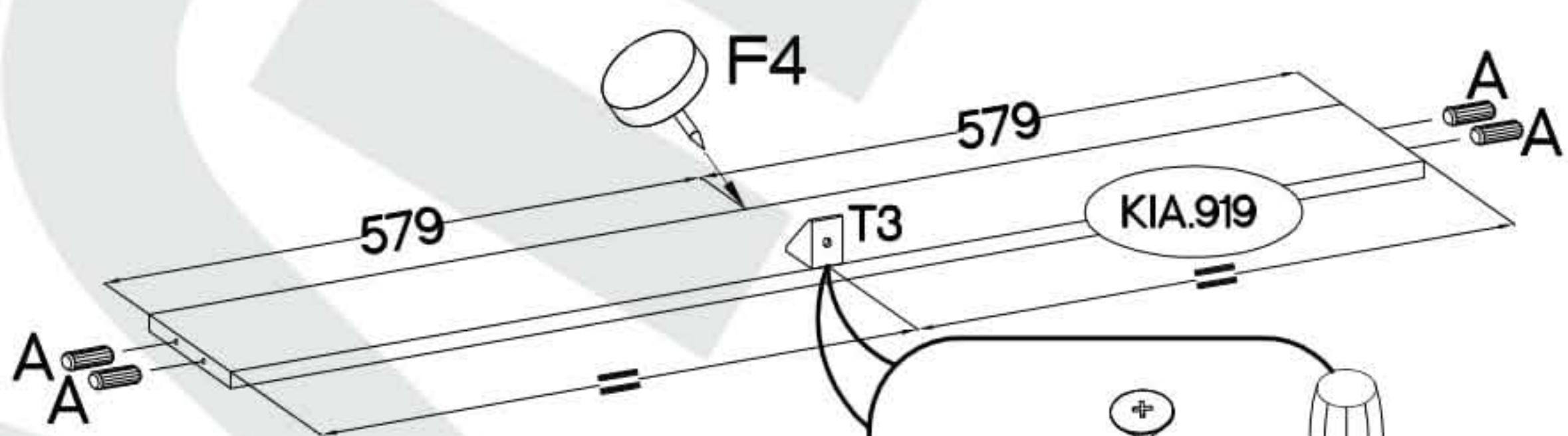
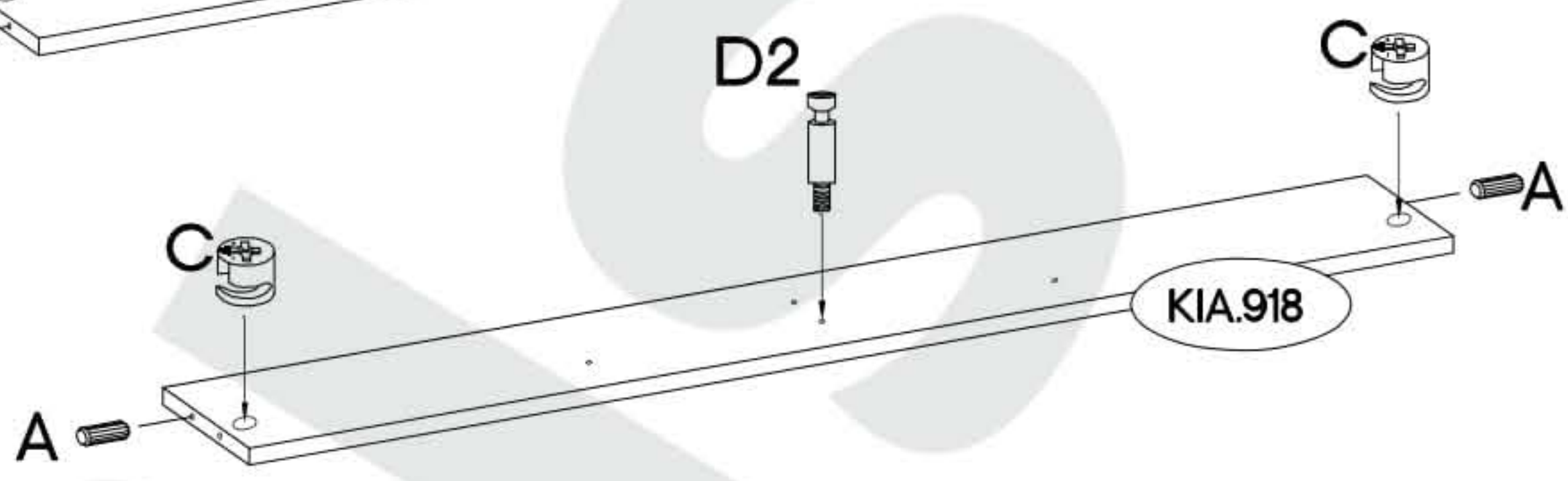
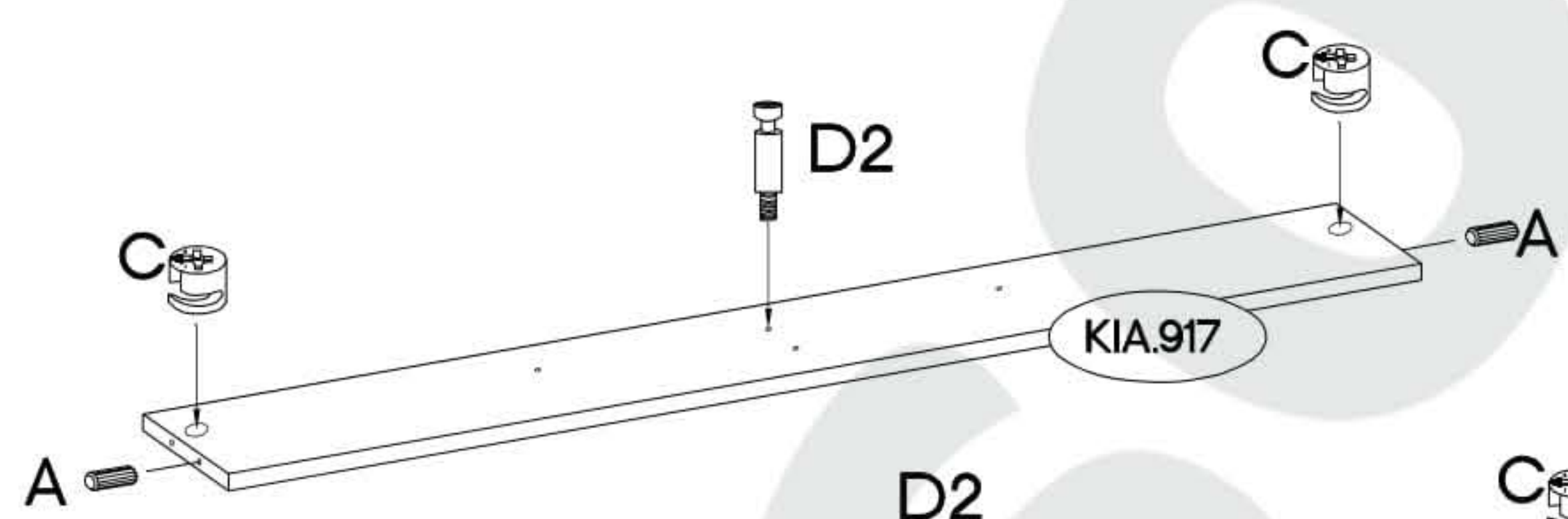
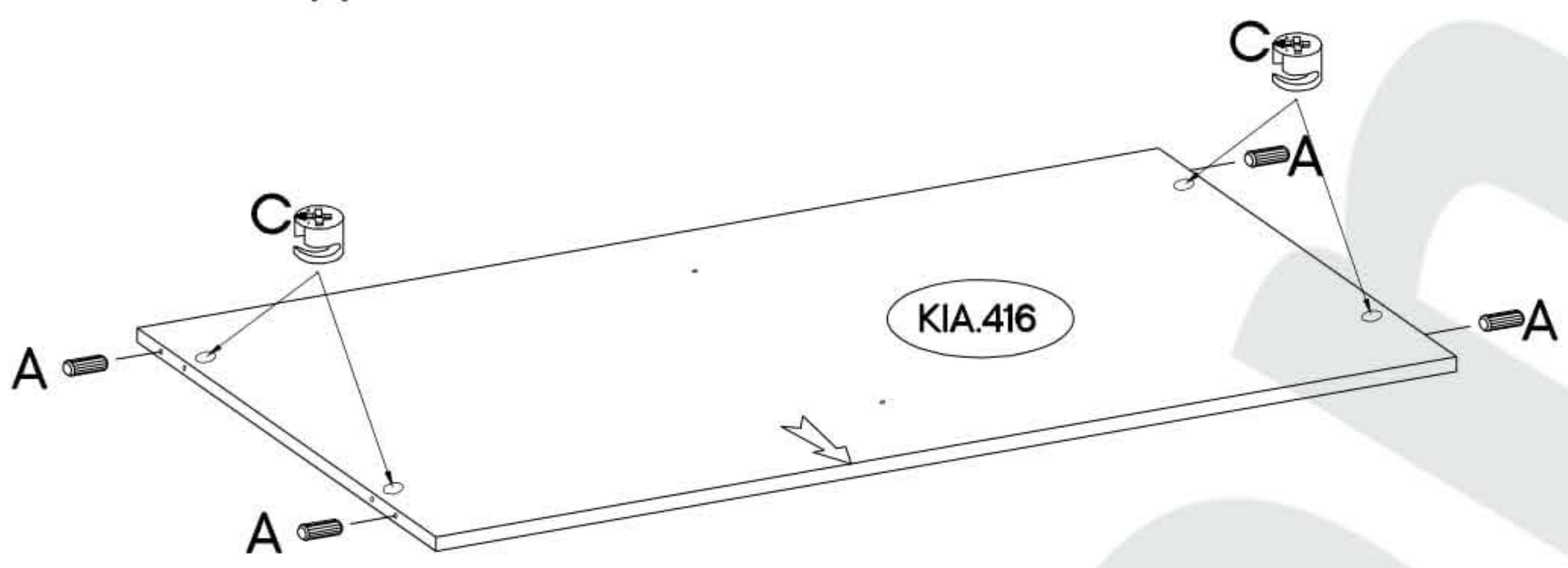
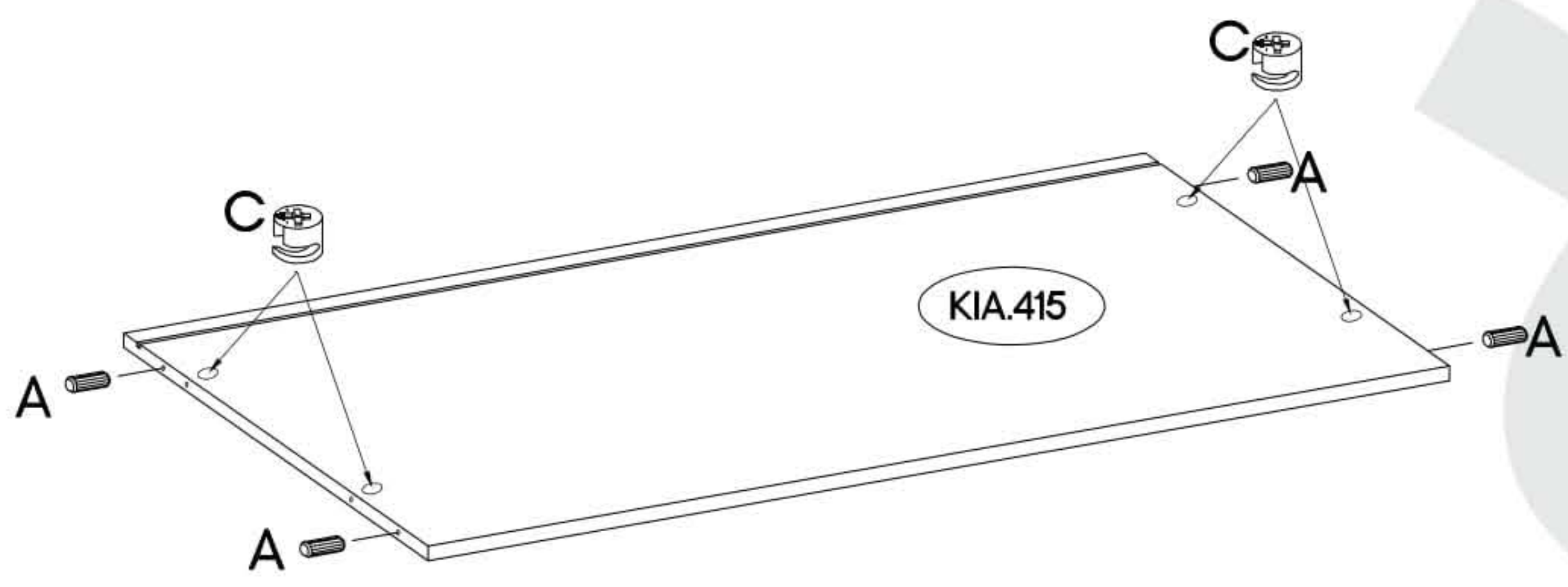
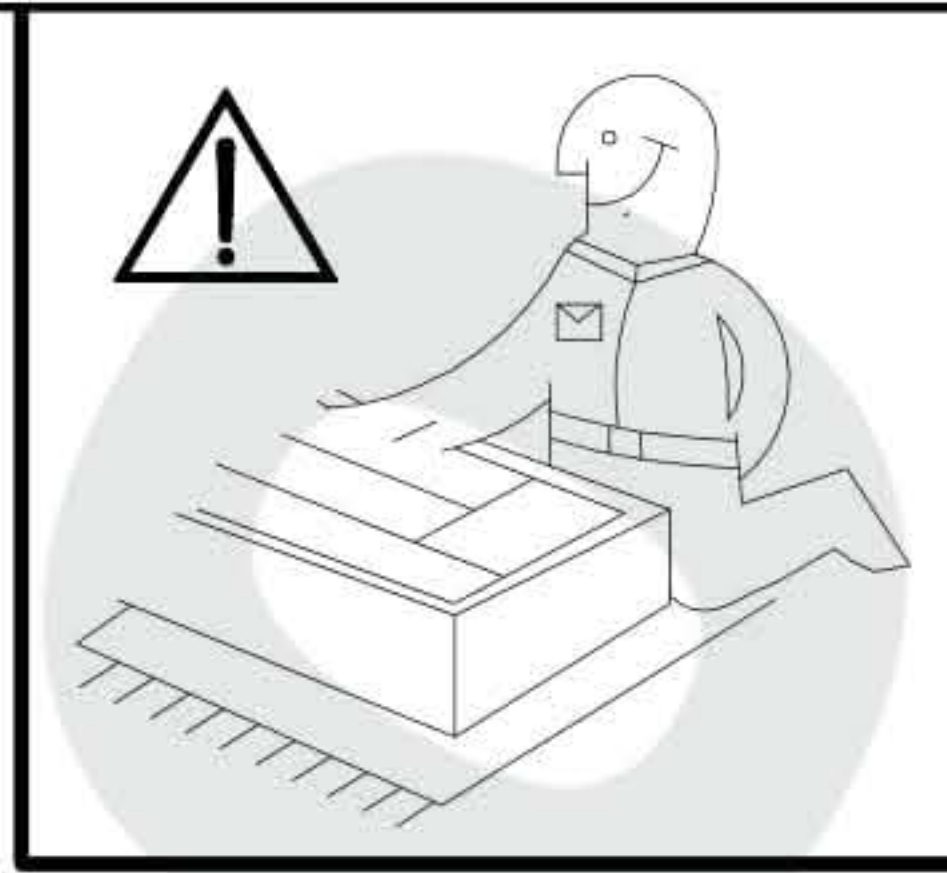
5



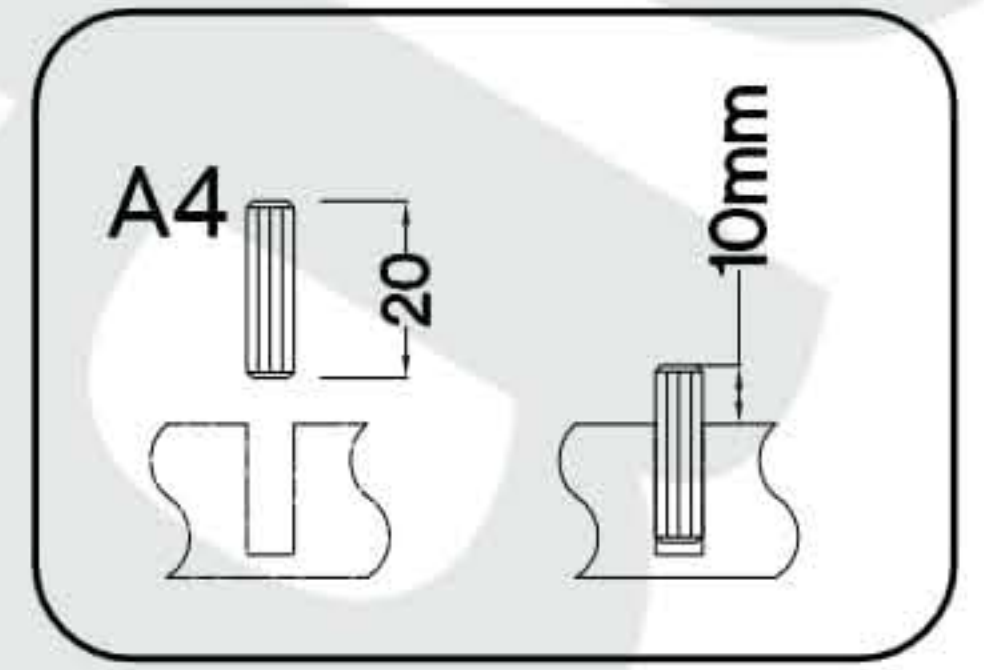
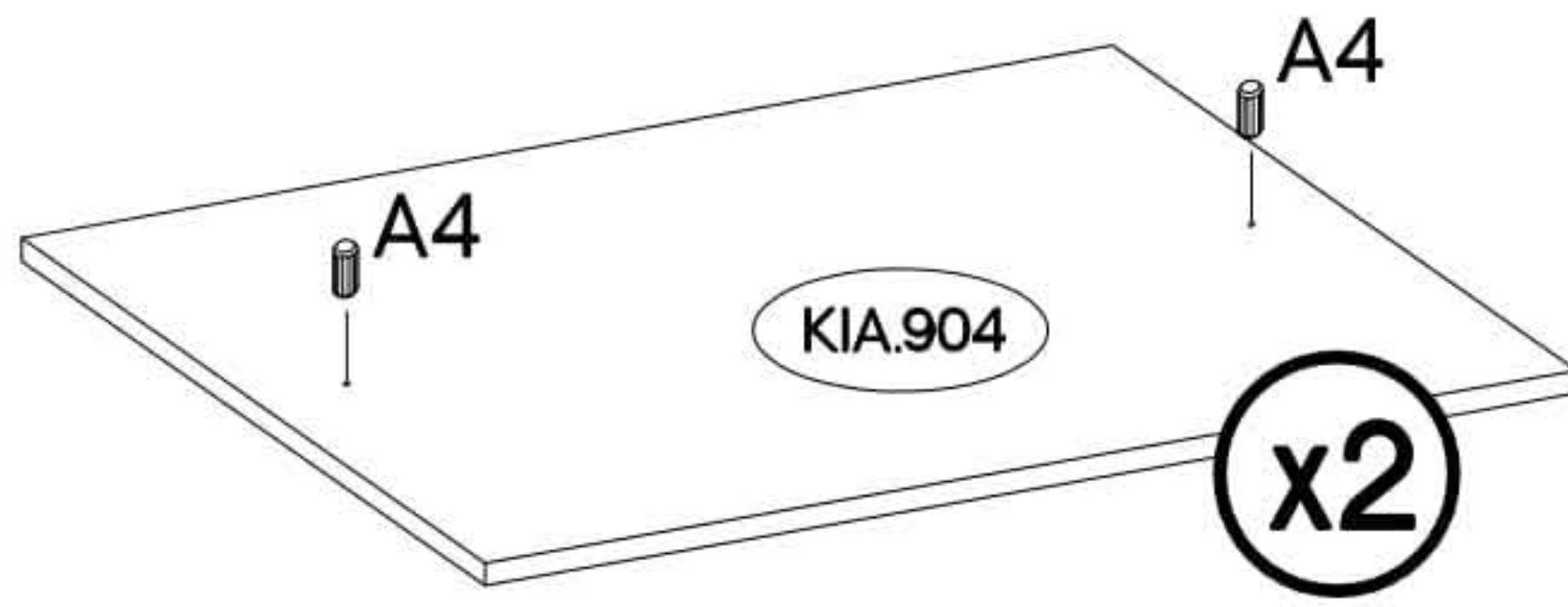
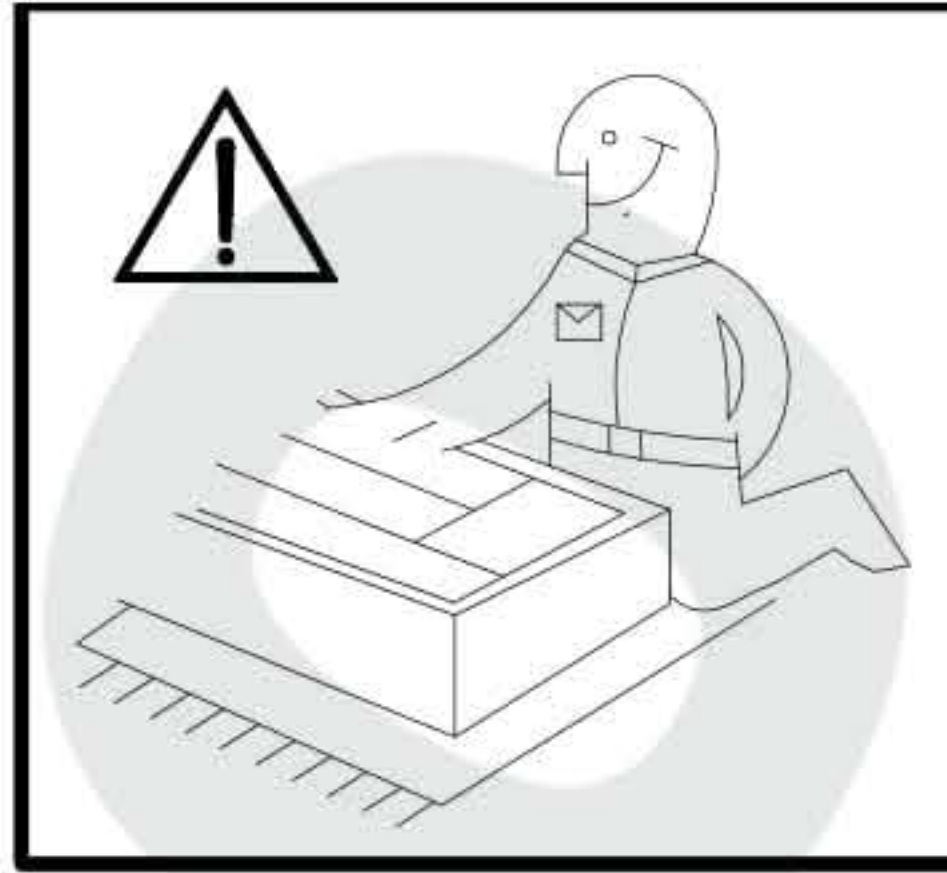
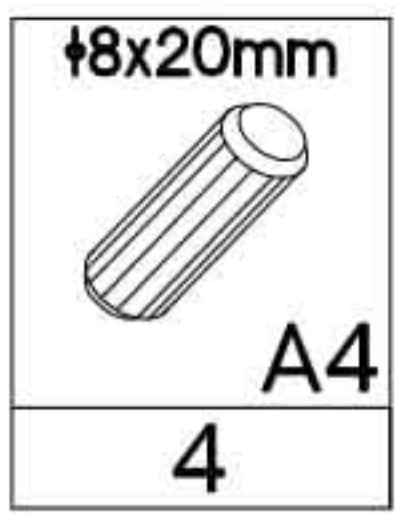
†8x30mm A 4	L=20mm D2 12	†15/12mm C 2	6.5x48x16 F2 4	27/310mm I4 3	†6,3x13mm M2 6	†6.3x20mm M3 6	†20/8mm J14 6
--------------------------	---------------------------	---------------------------	-----------------------------	----------------------------	-----------------------------	-----------------------------	----------------------------



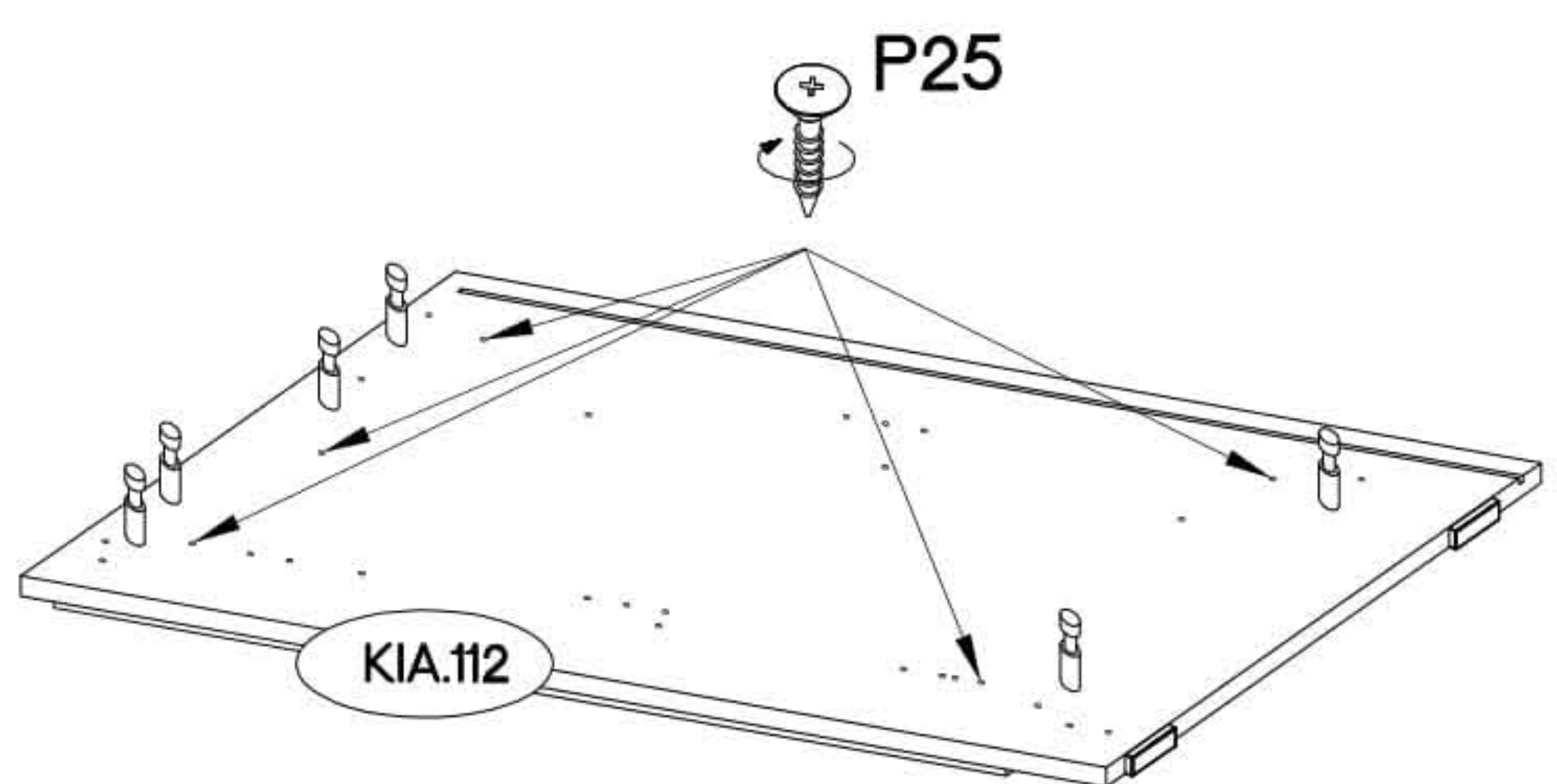
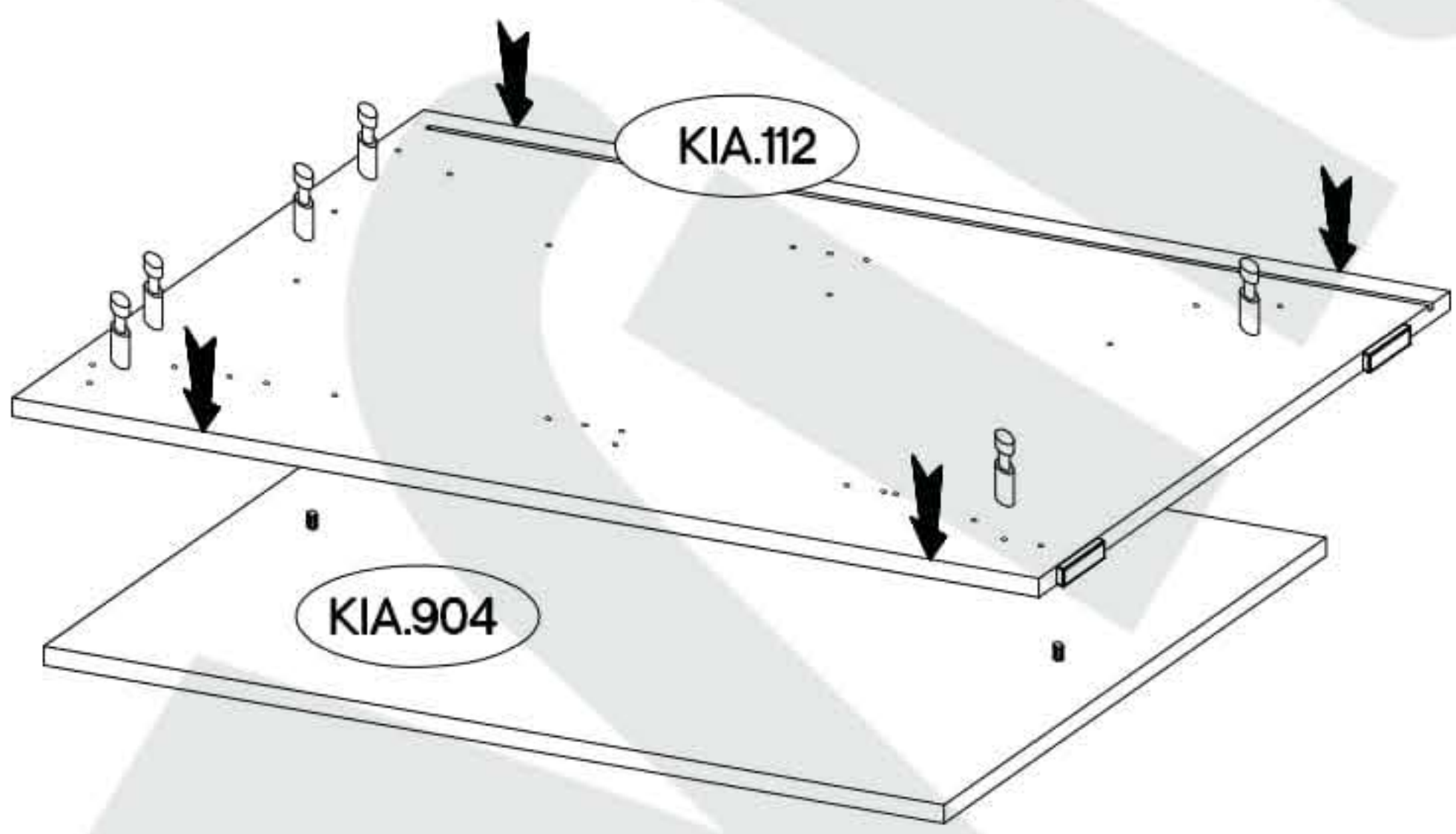
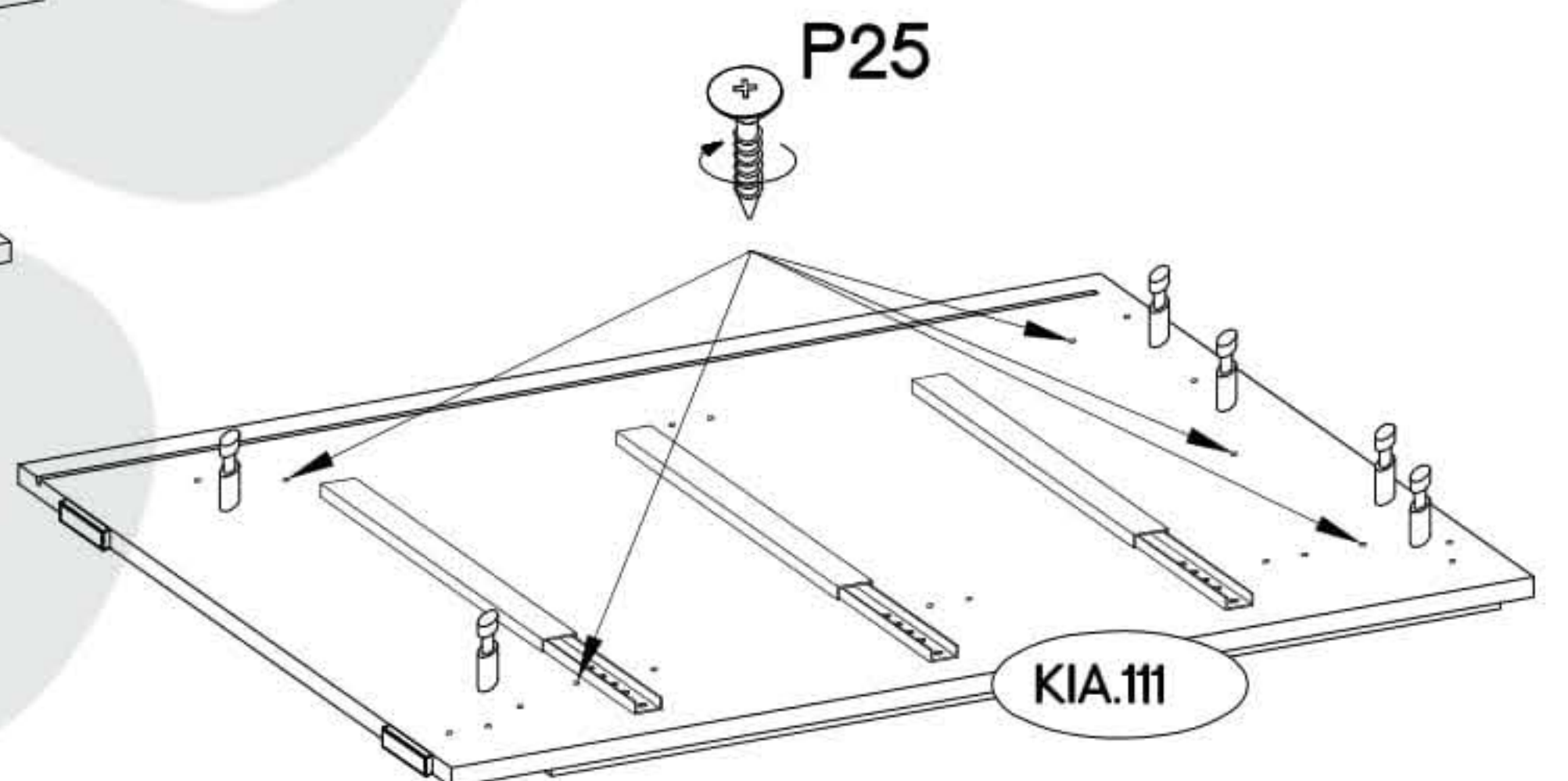
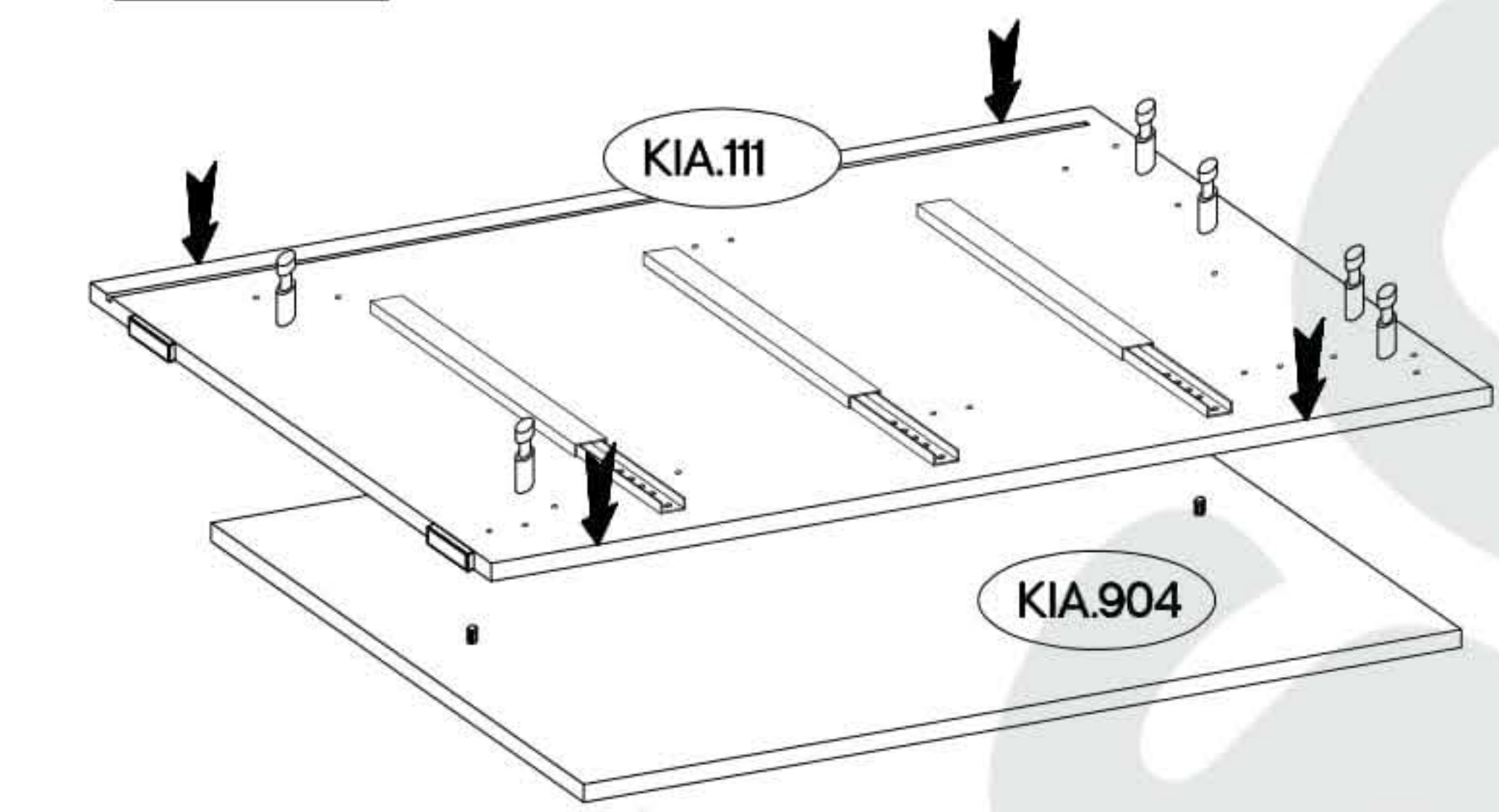
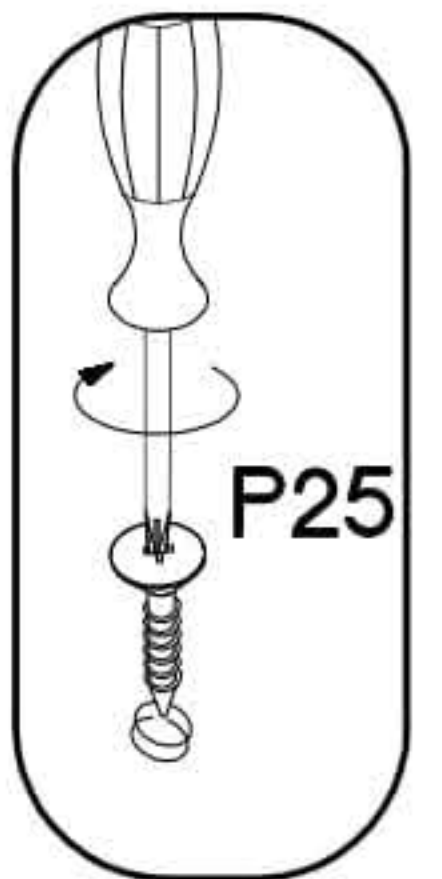
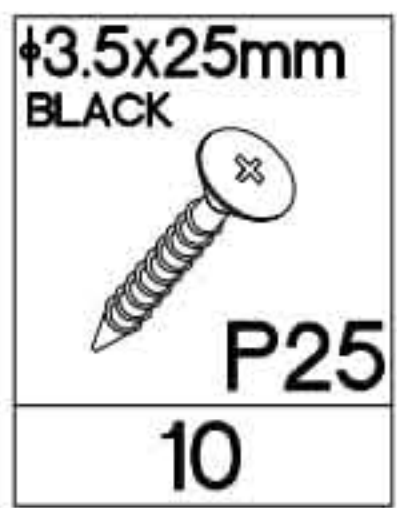
<p>†8x30mm</p>  <p>A</p> <p>16</p>	<p>L=20mm</p>  <p>D2</p> <p>2</p>	<p>†15/12mm</p>  <p>C</p> <p>12</p>	 <p>T3</p> <p>1</p>	<p>†4.0x16mm</p>  <p>P1</p> <p>1</p>	<p>†15x5mm</p>  <p>F4</p> <p>1</p>
--	---	---	---	---	--



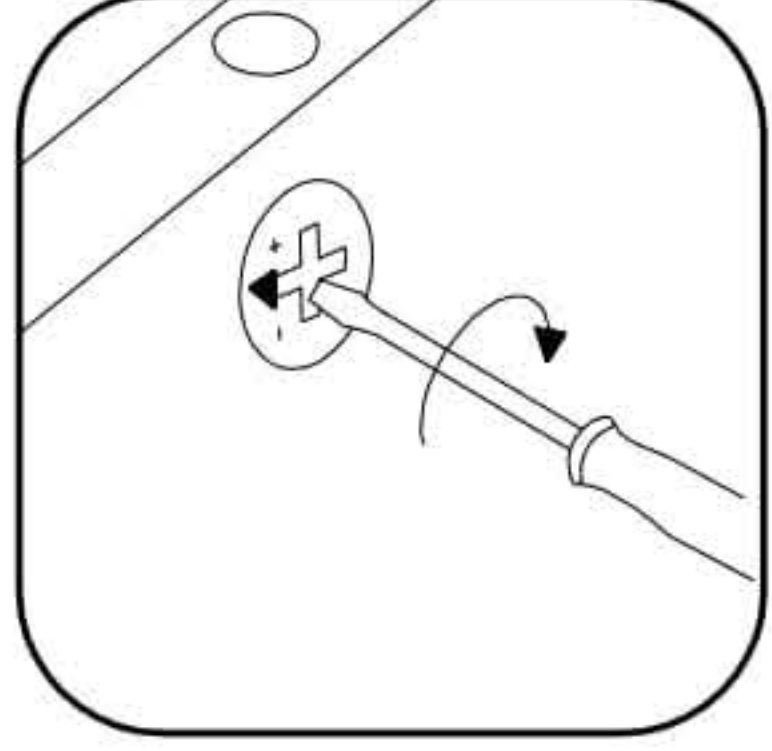
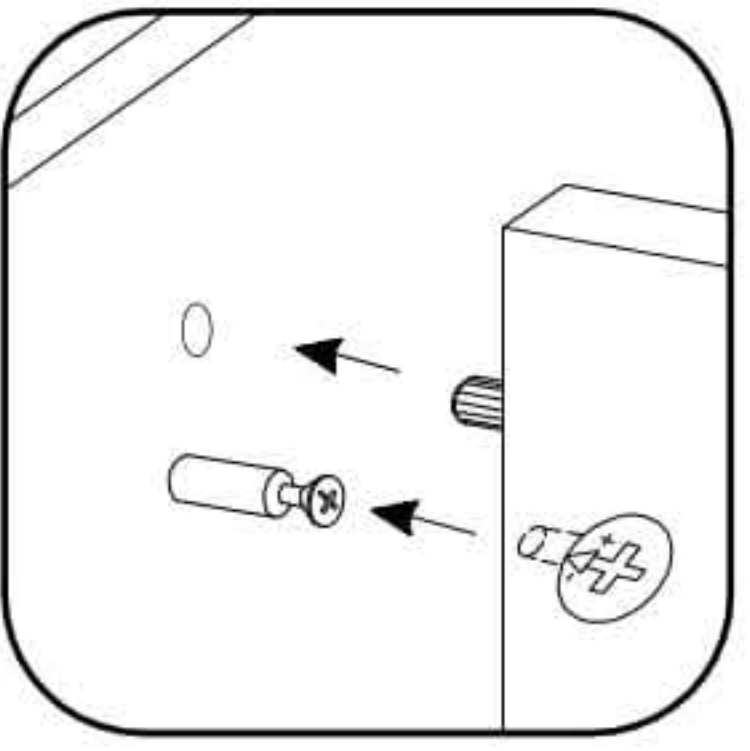
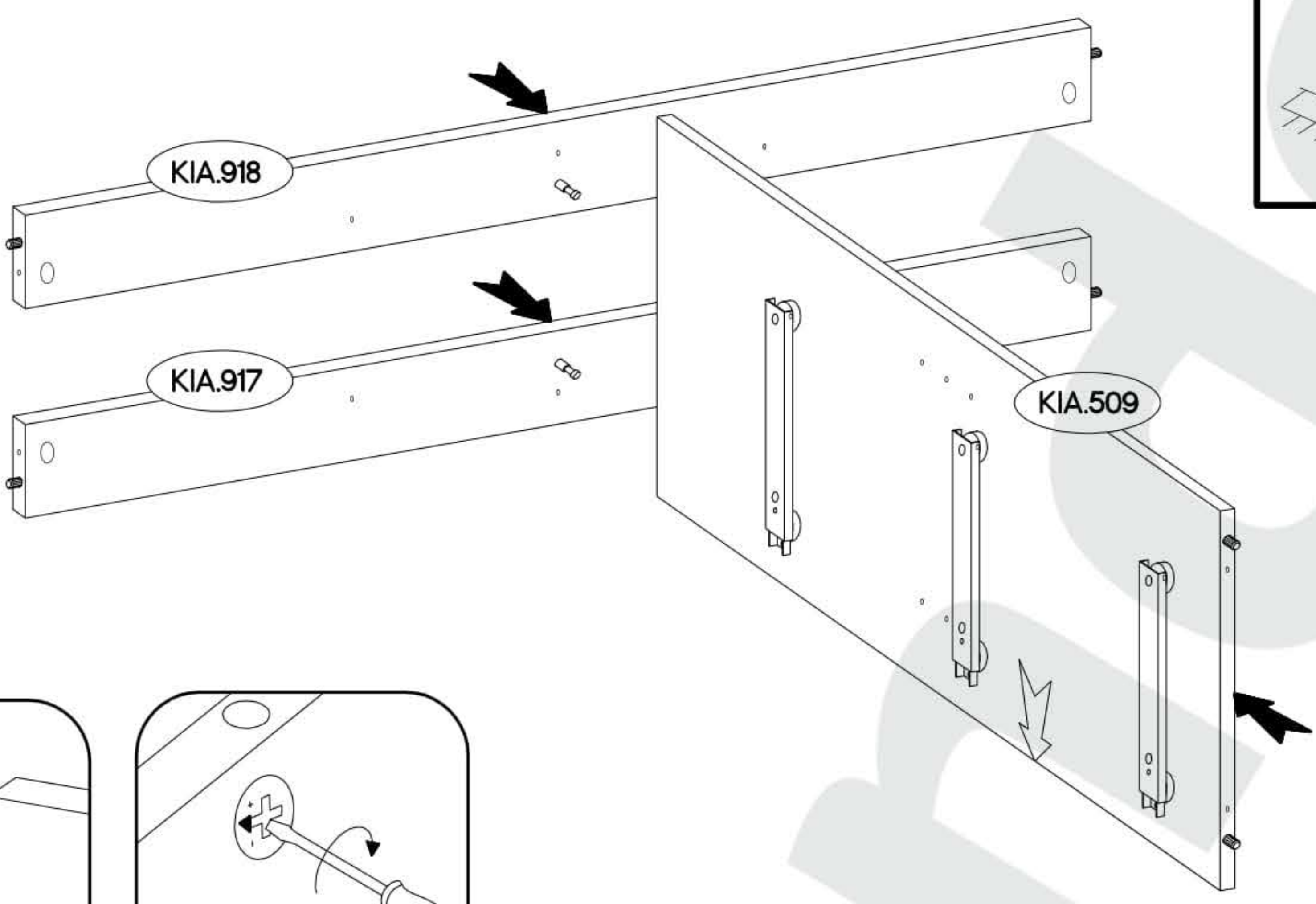
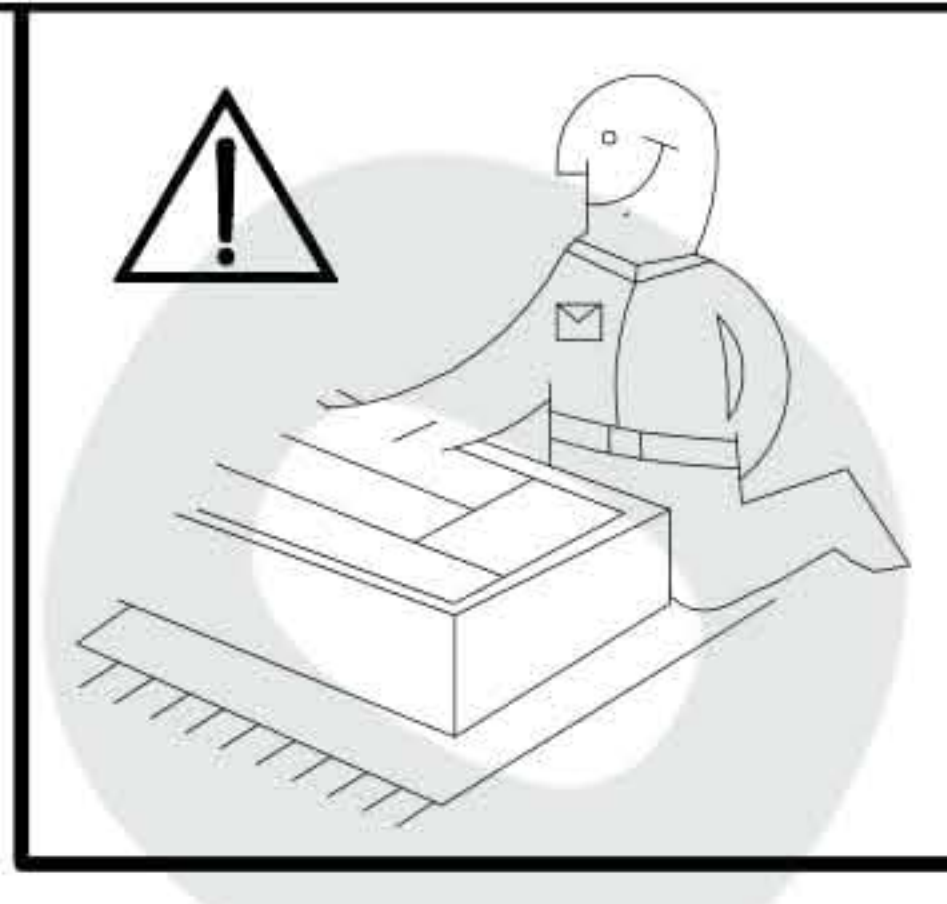
8




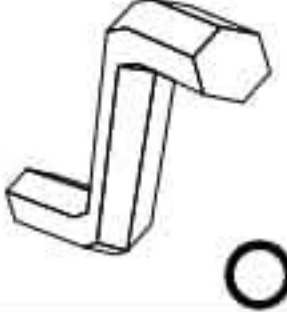
9

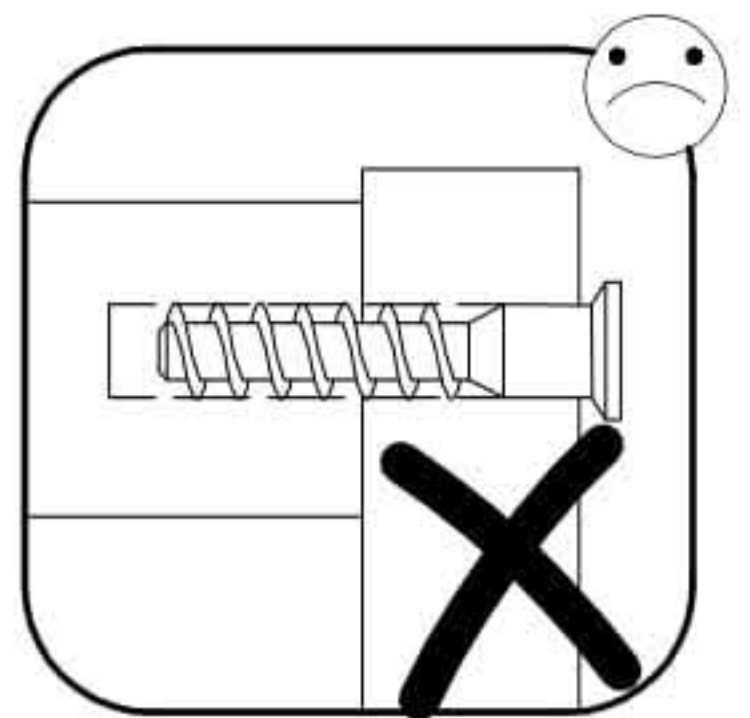
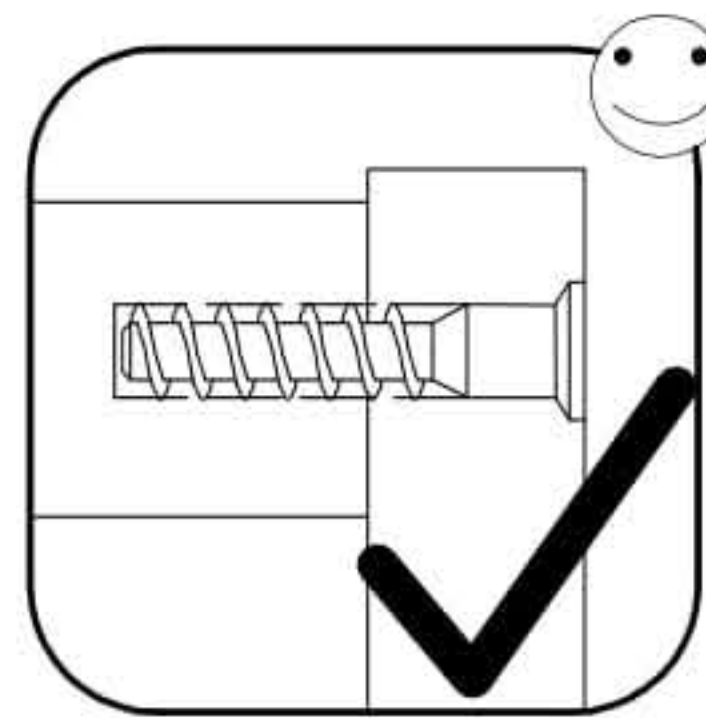
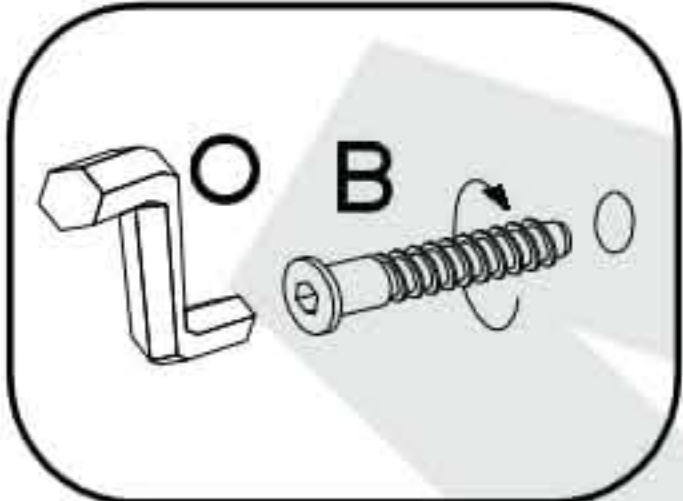
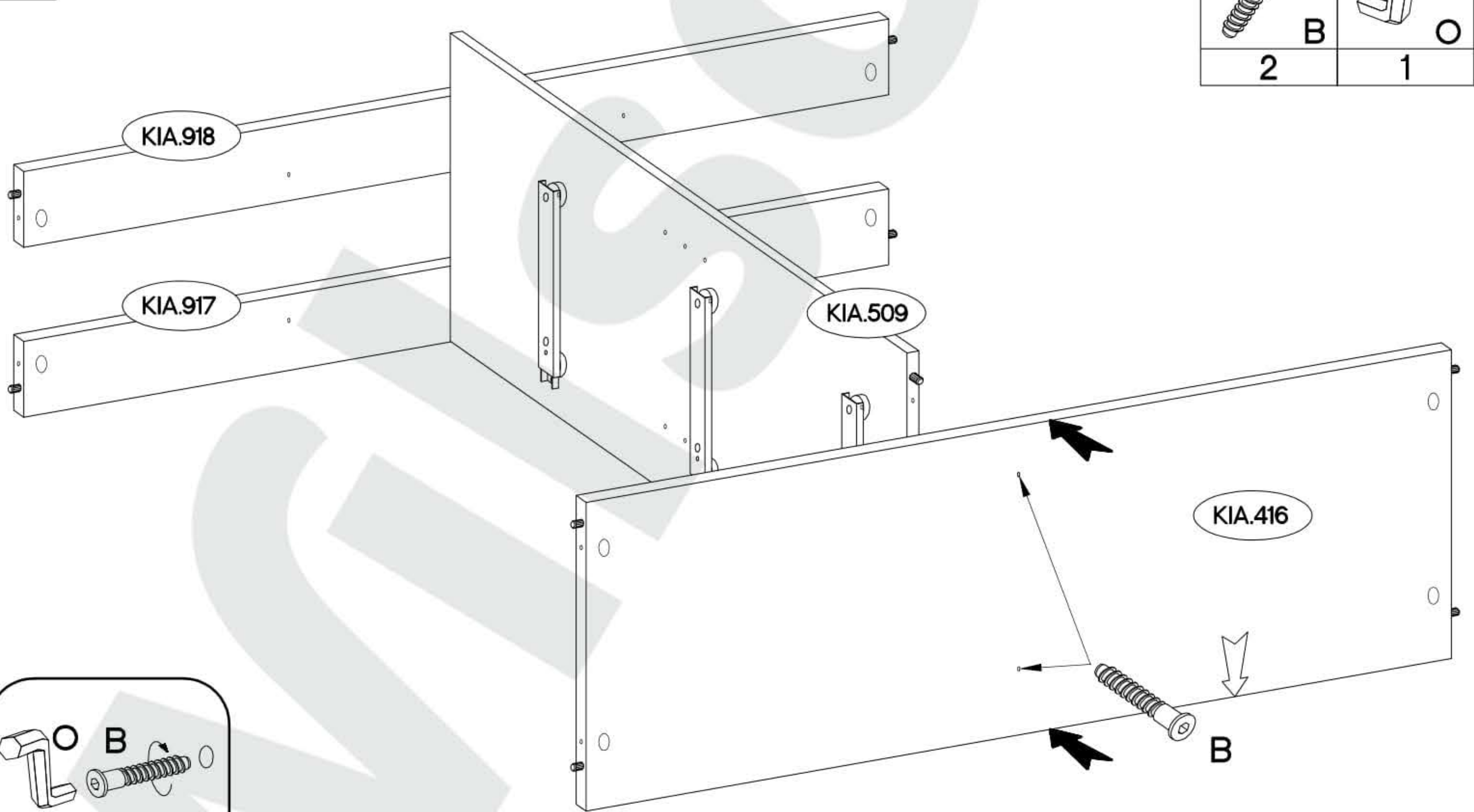


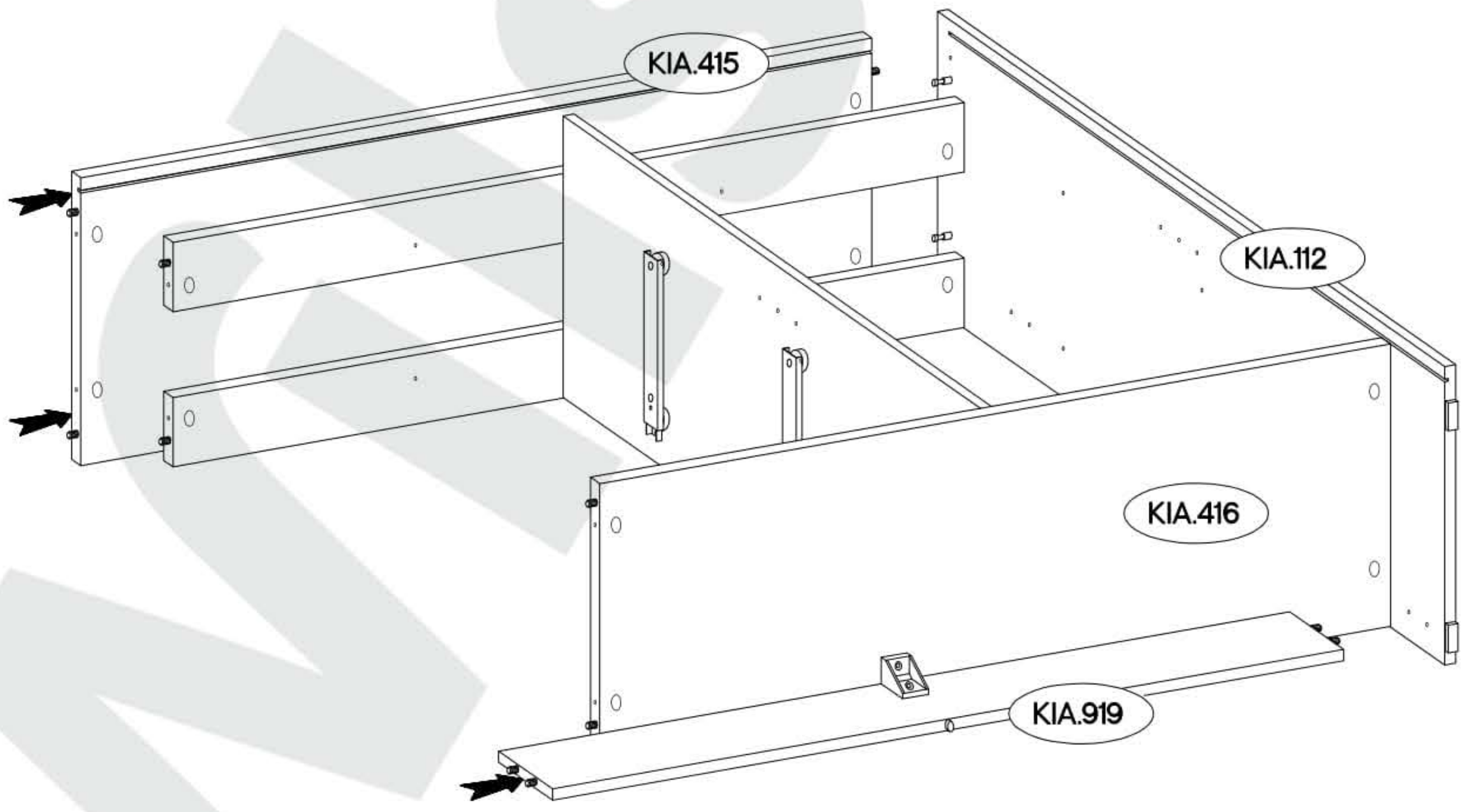
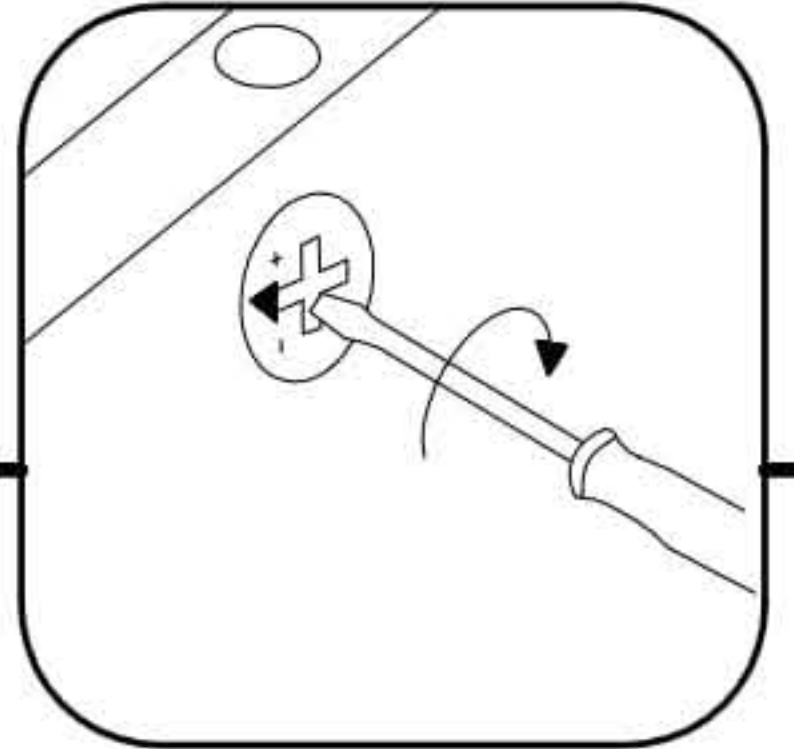
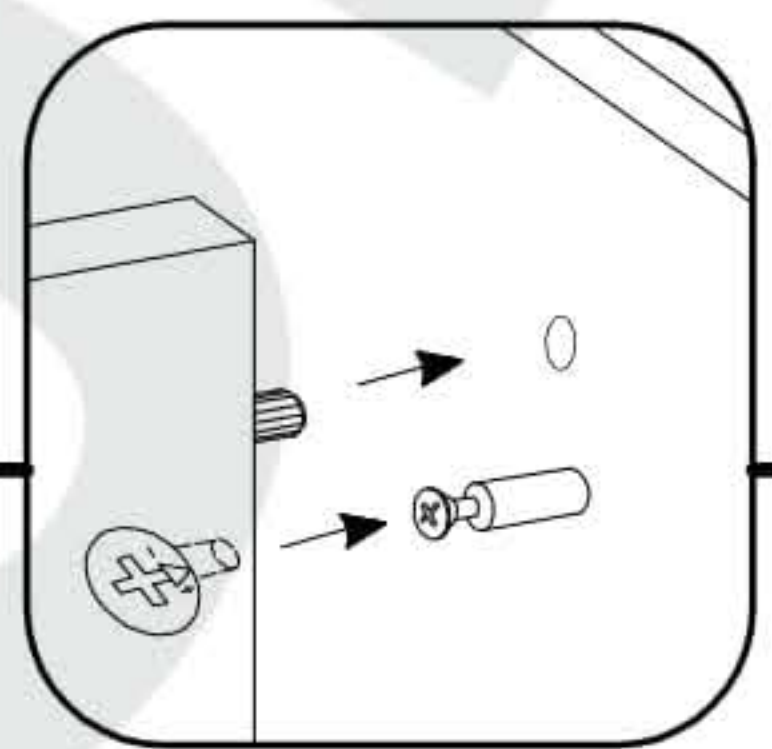
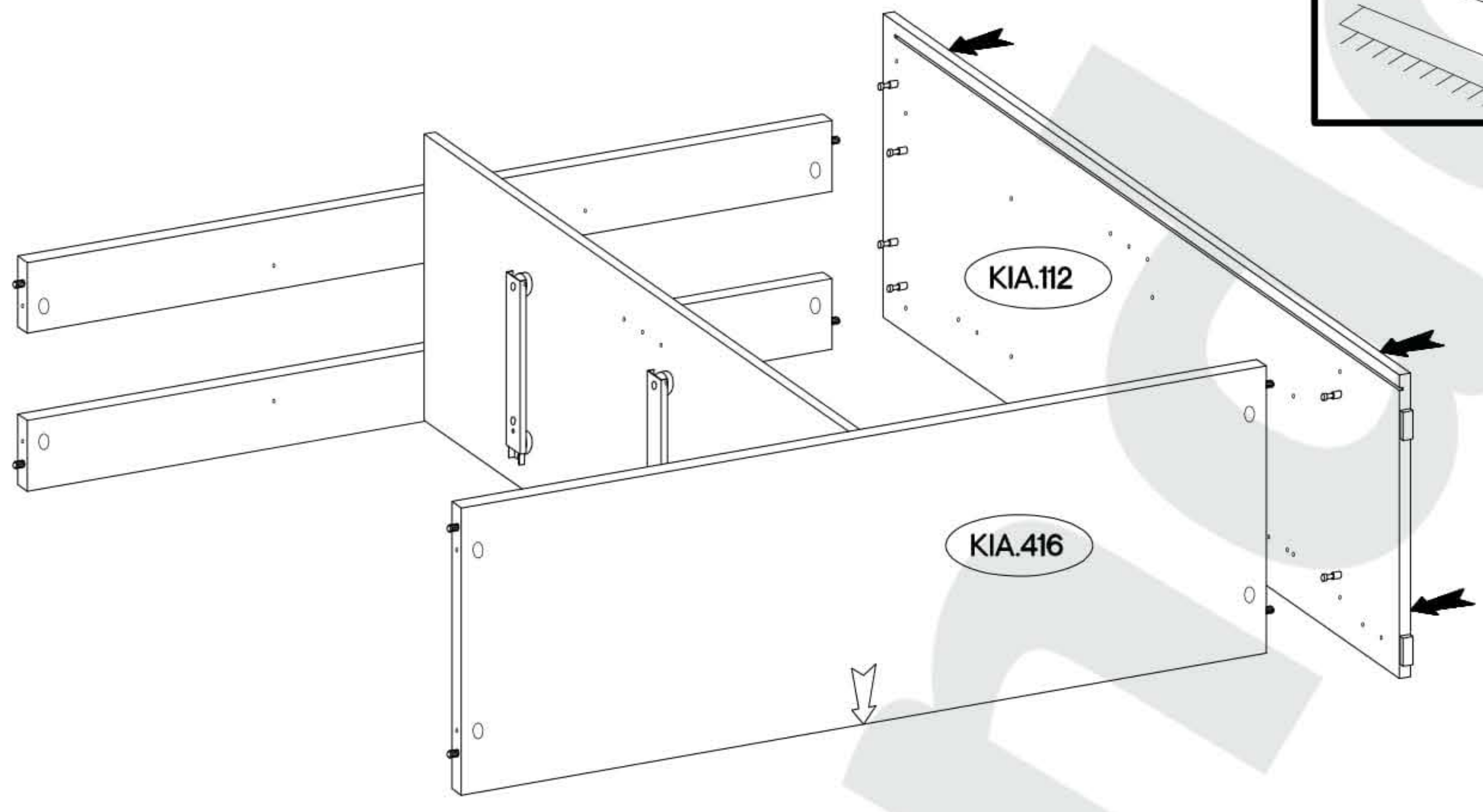
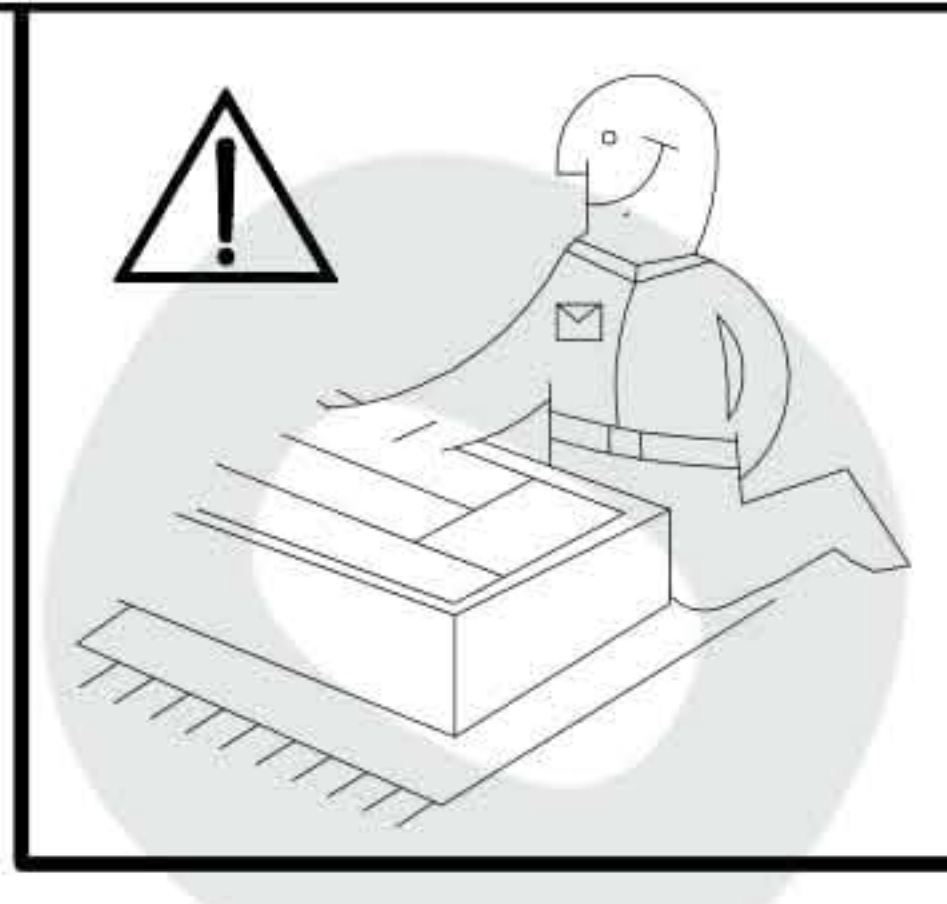
10



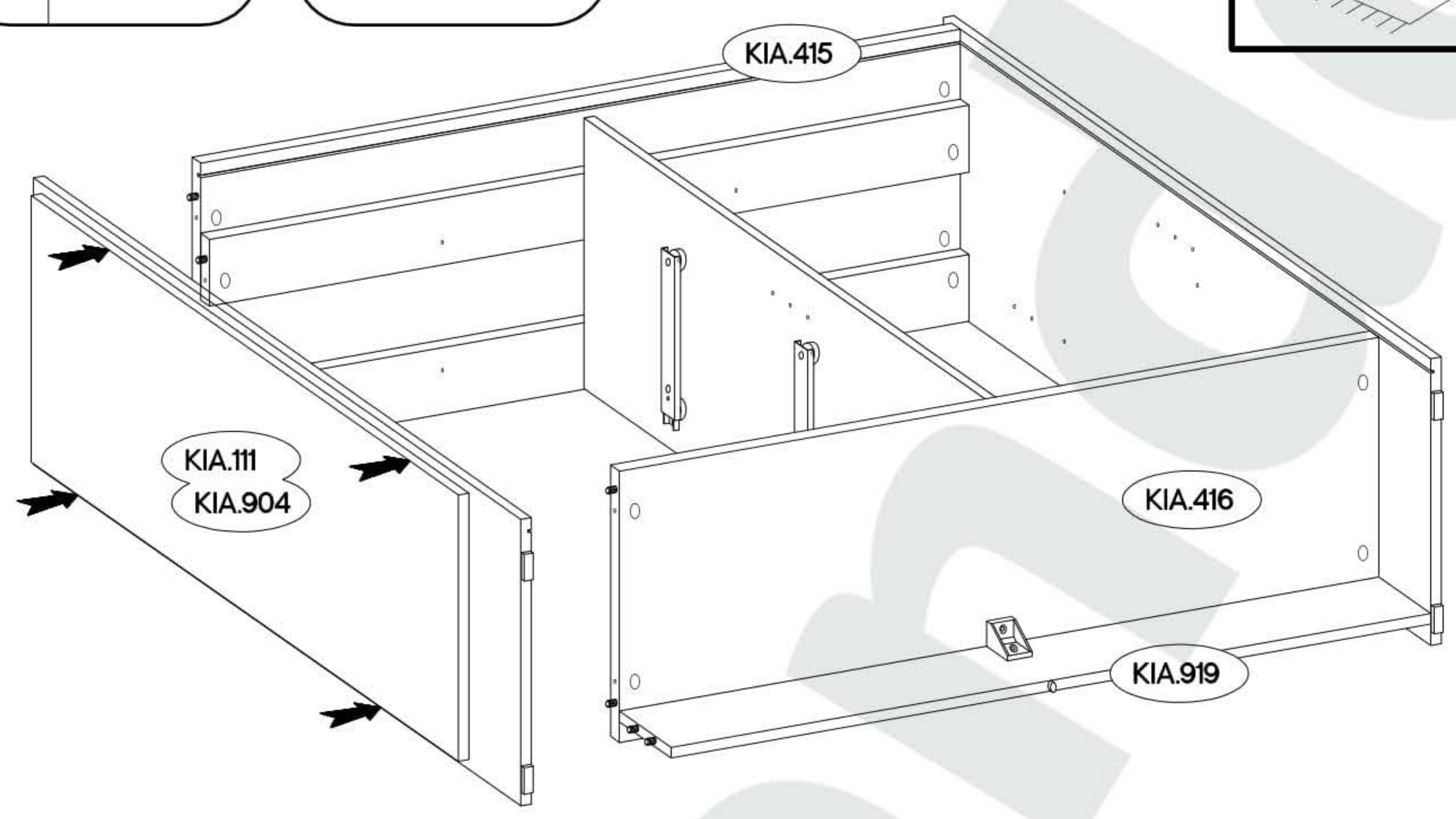
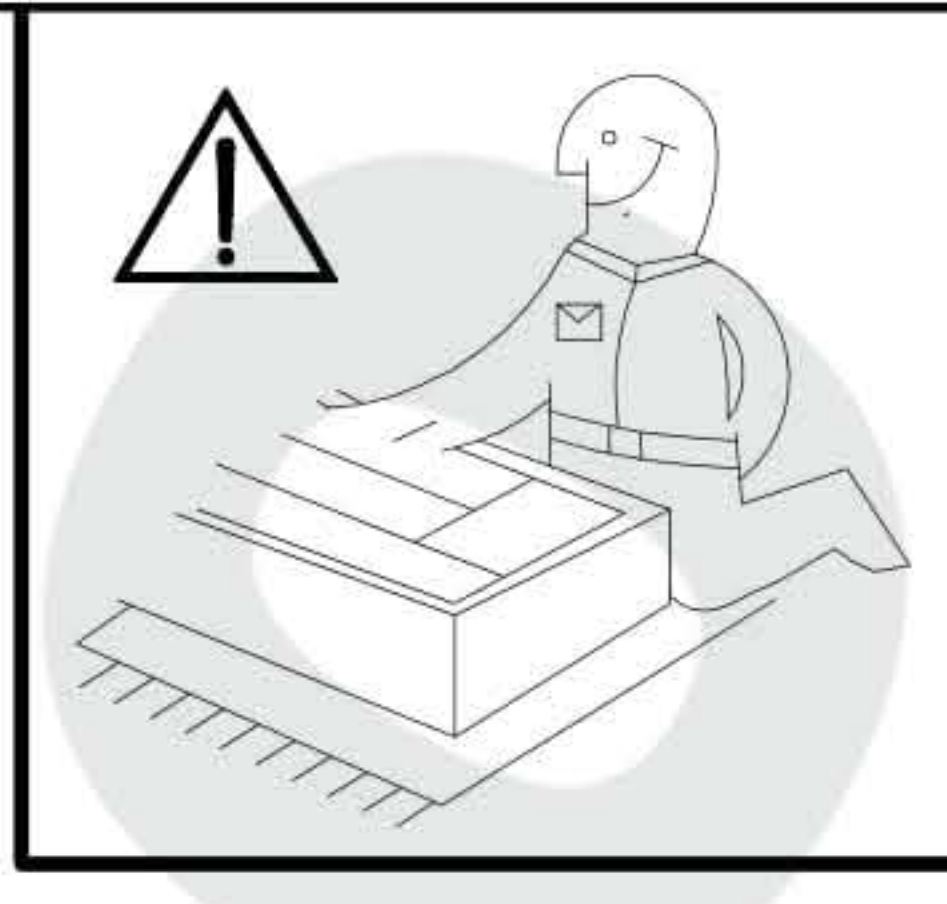
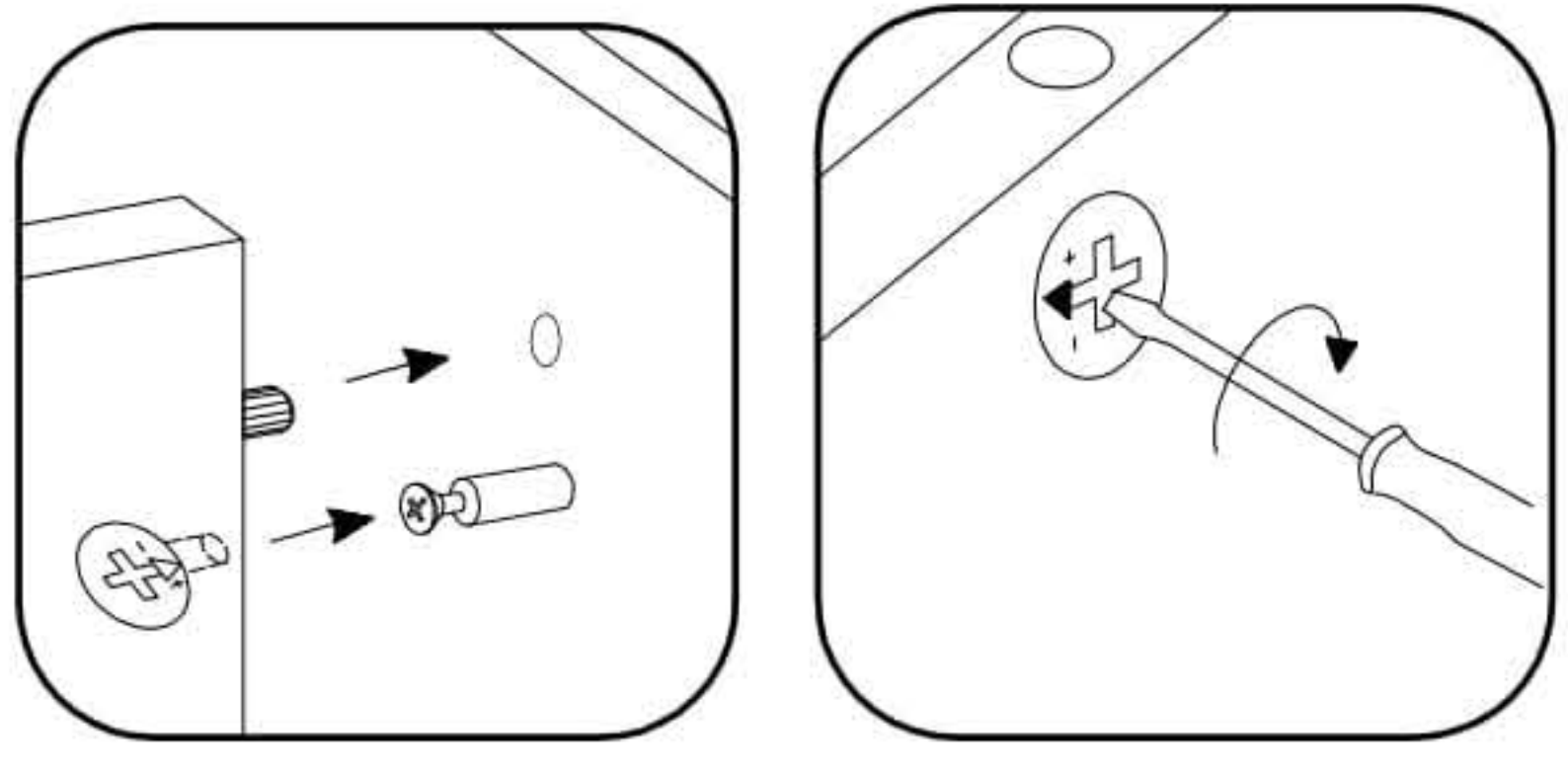
11

6,4 x 50mm	
	
B	O
2	1





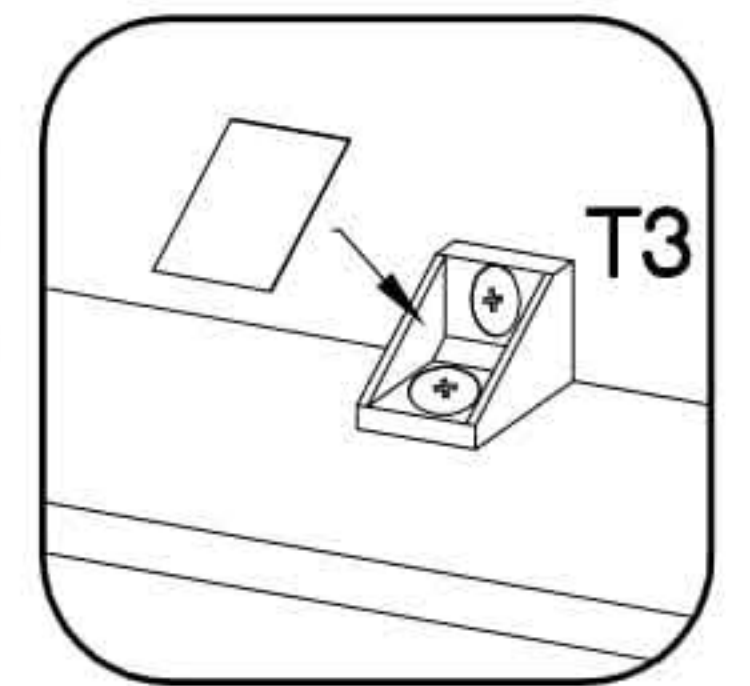
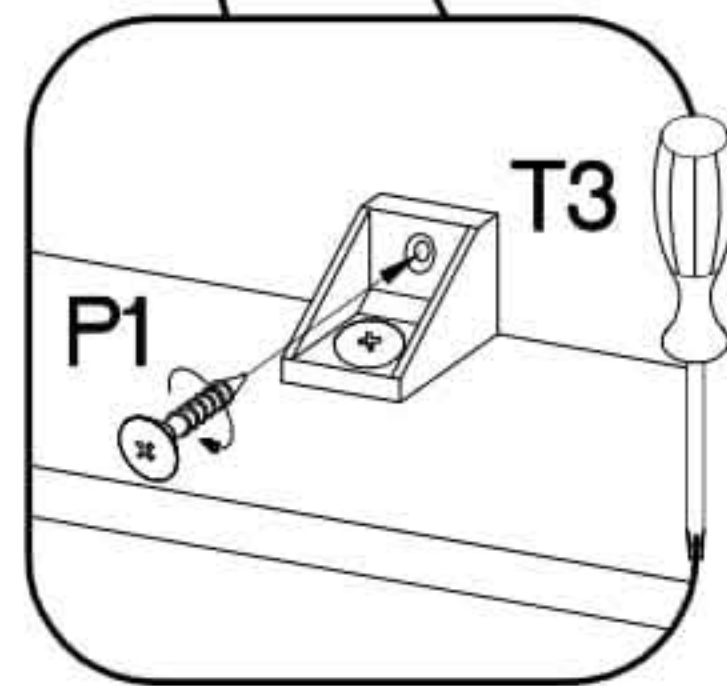
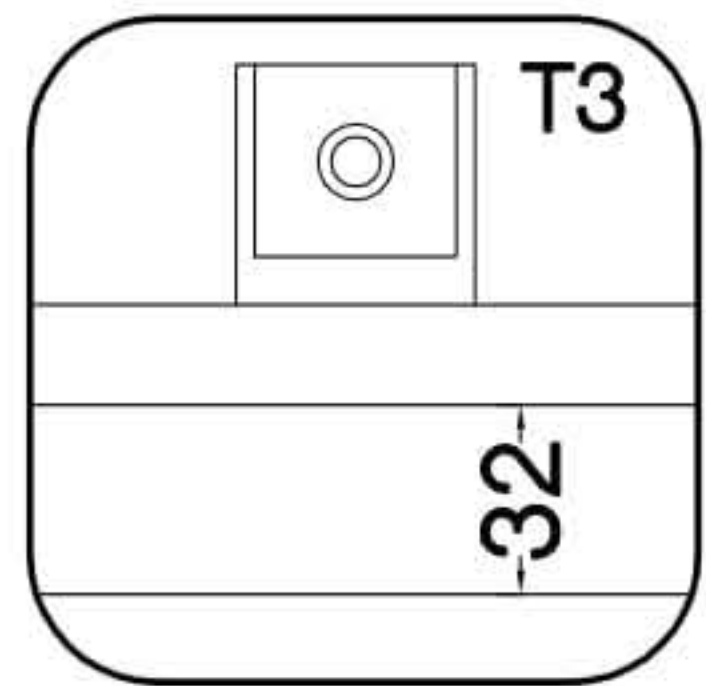
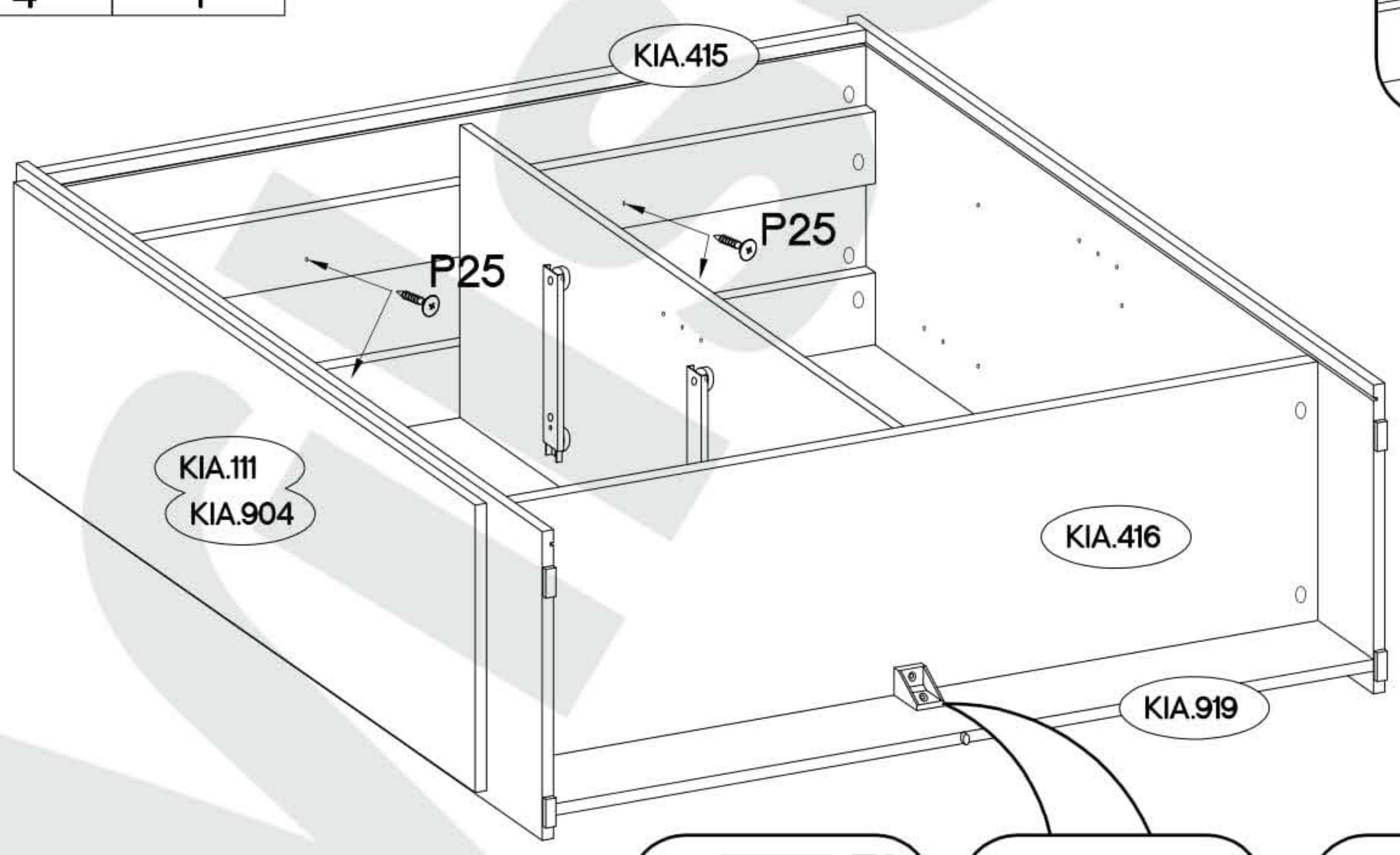
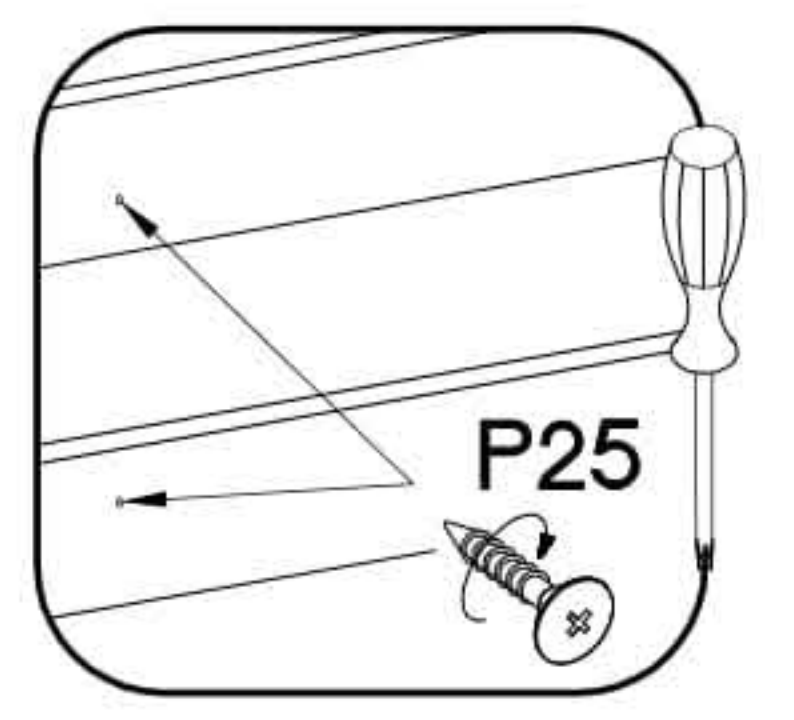




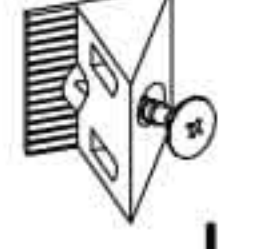
14

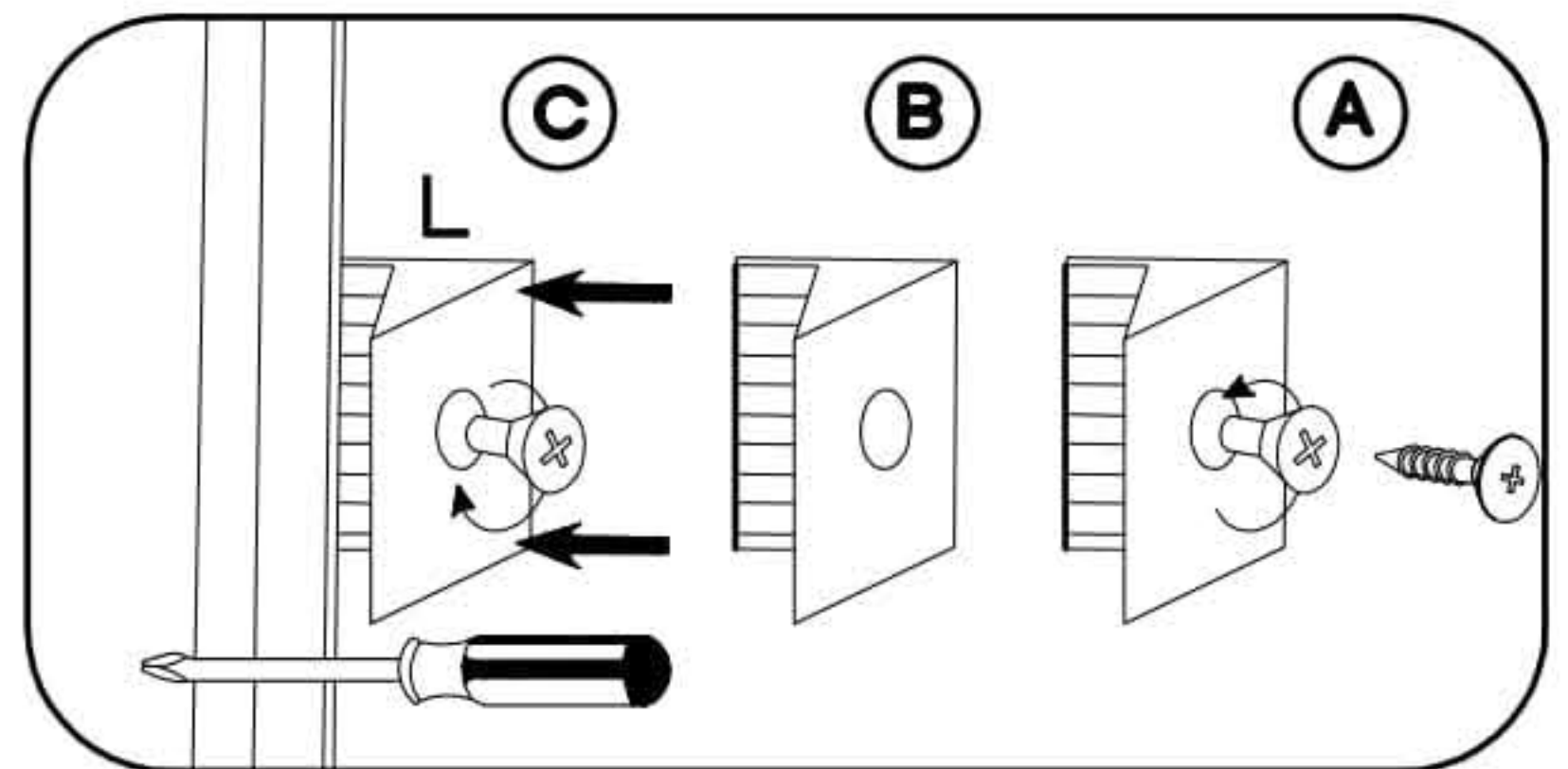
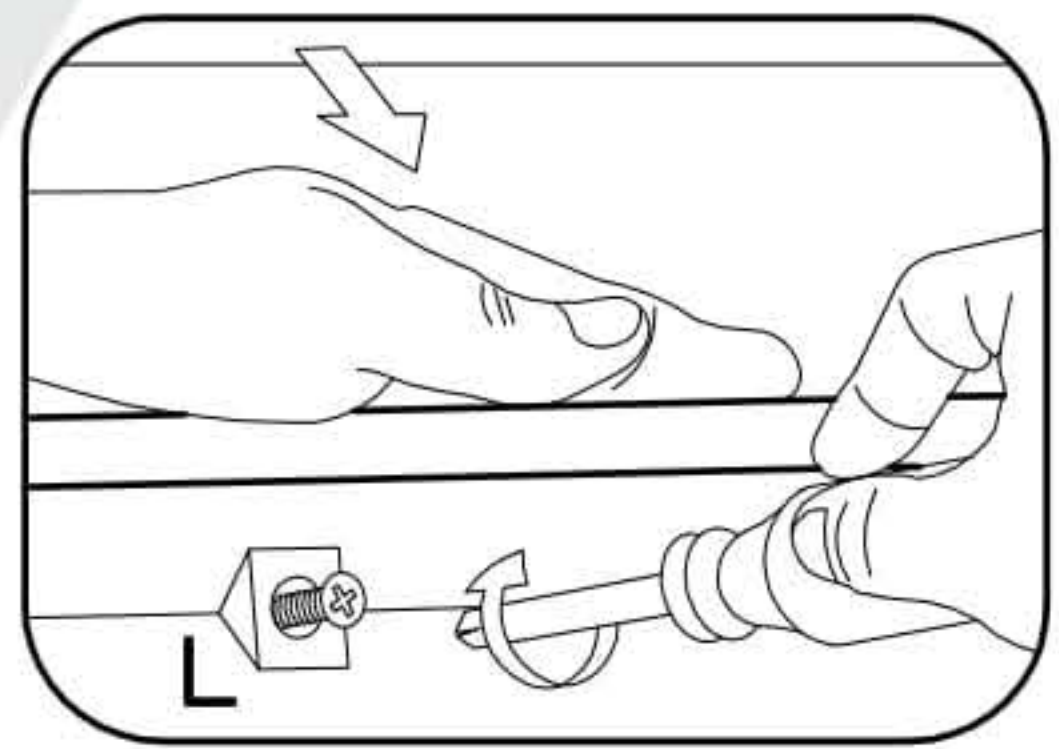
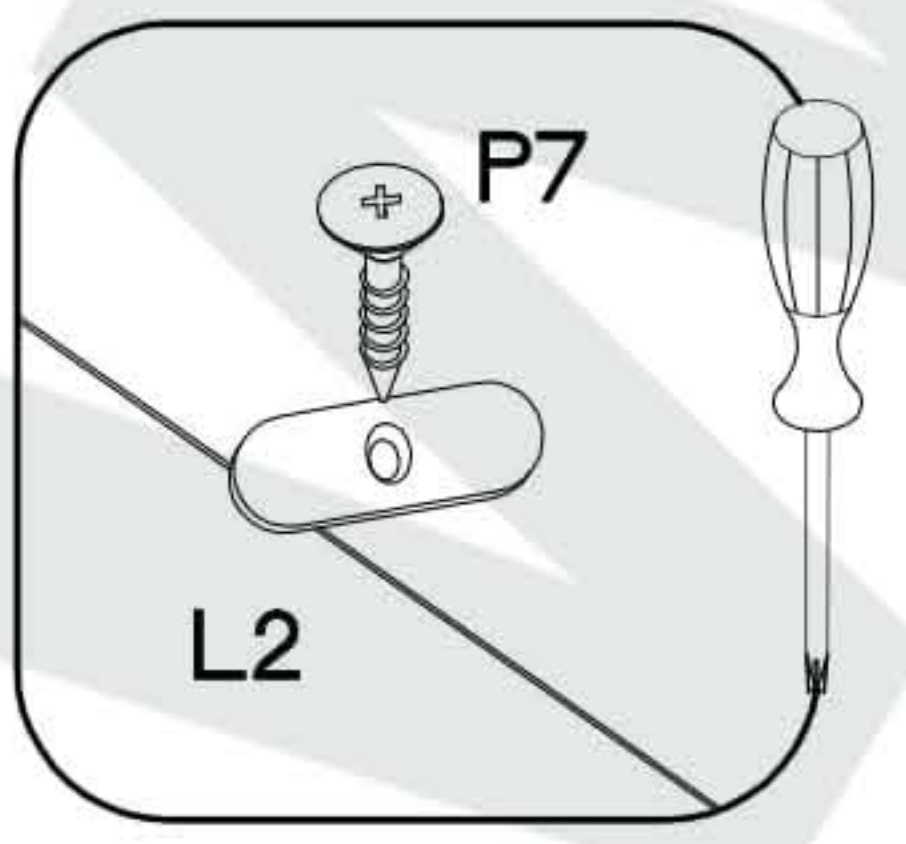
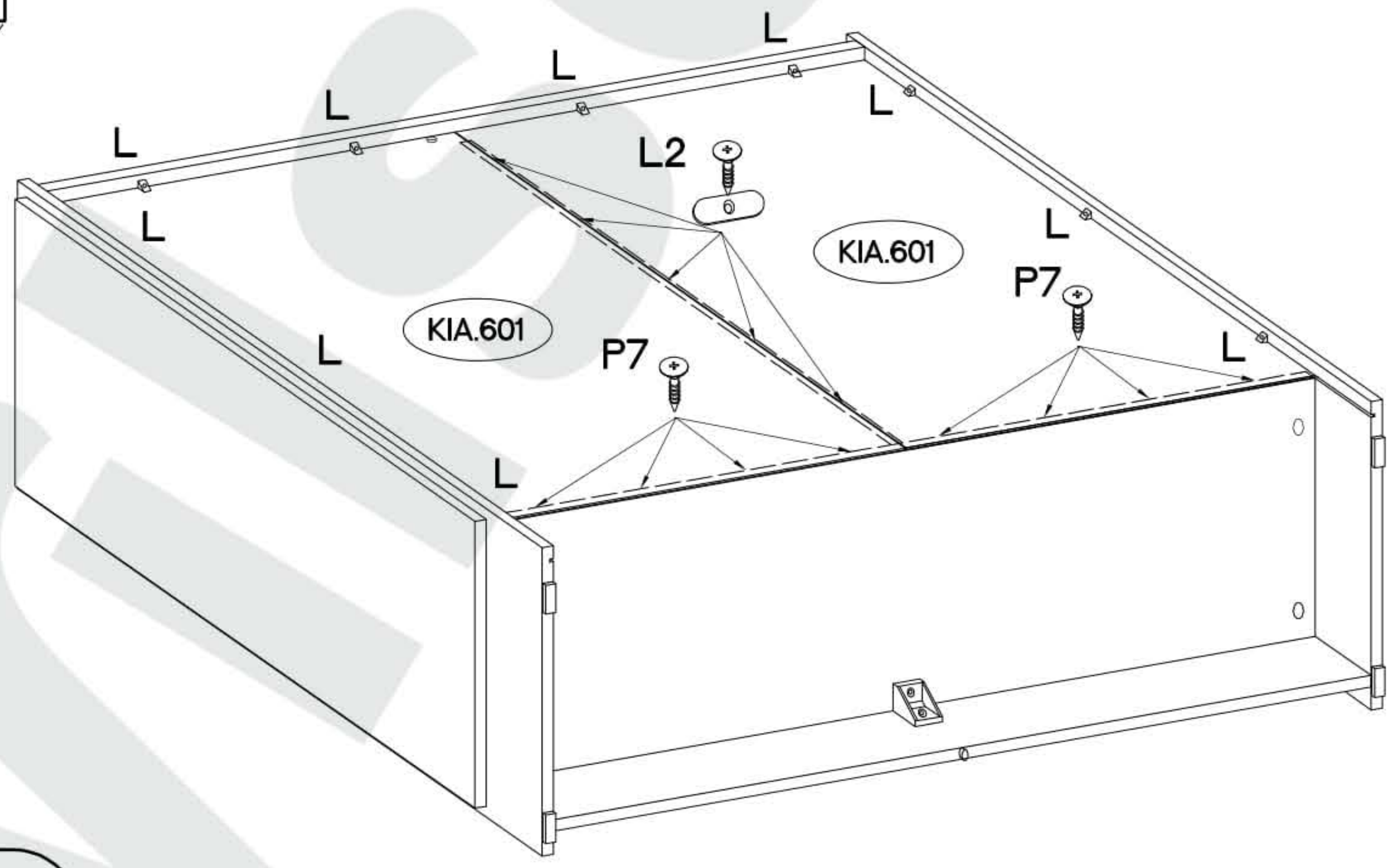
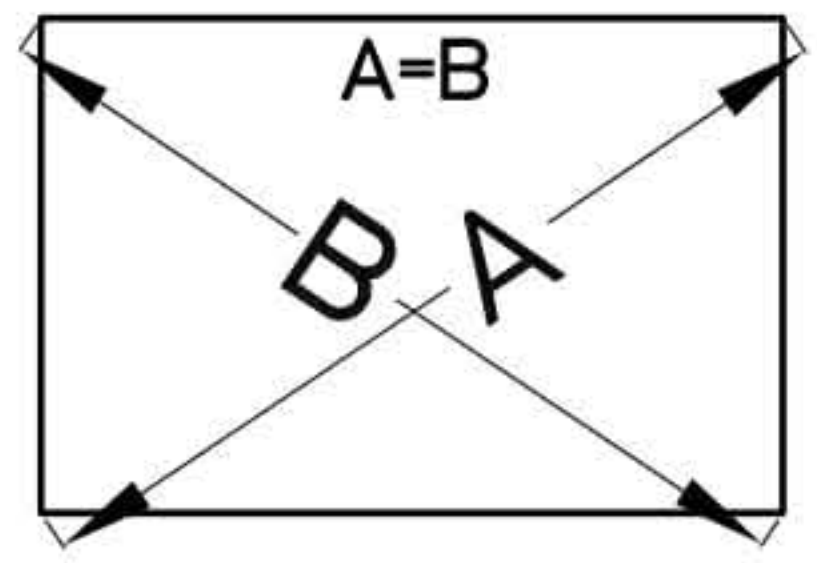
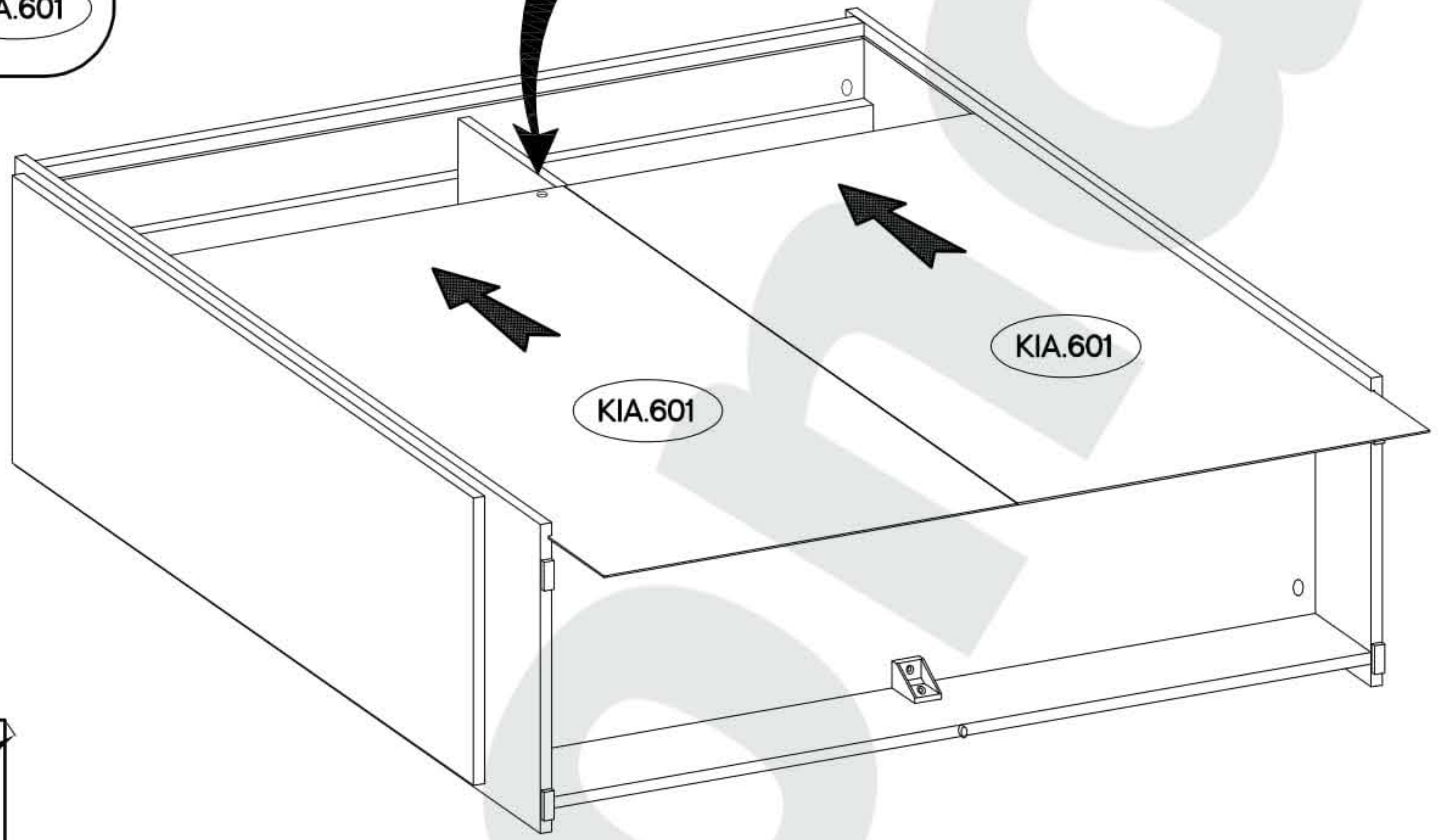
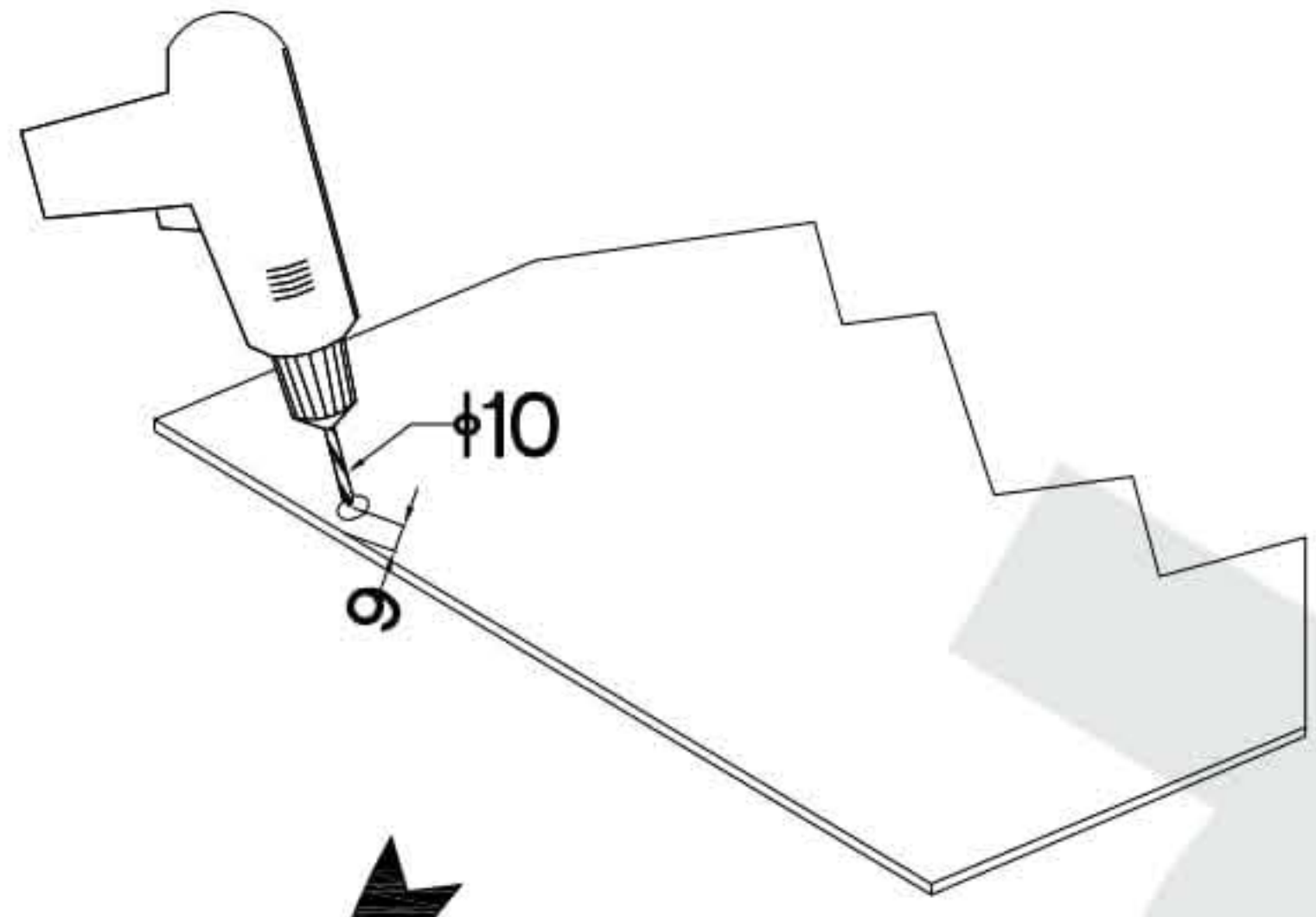
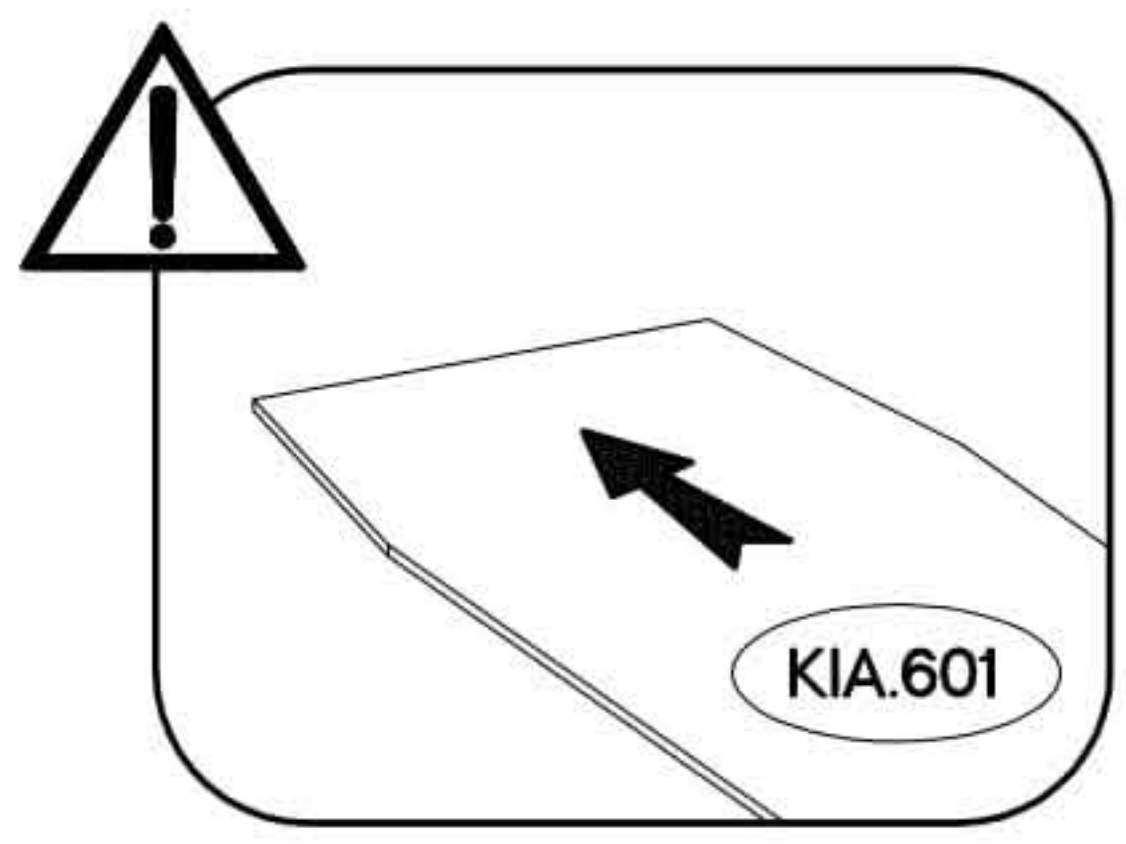


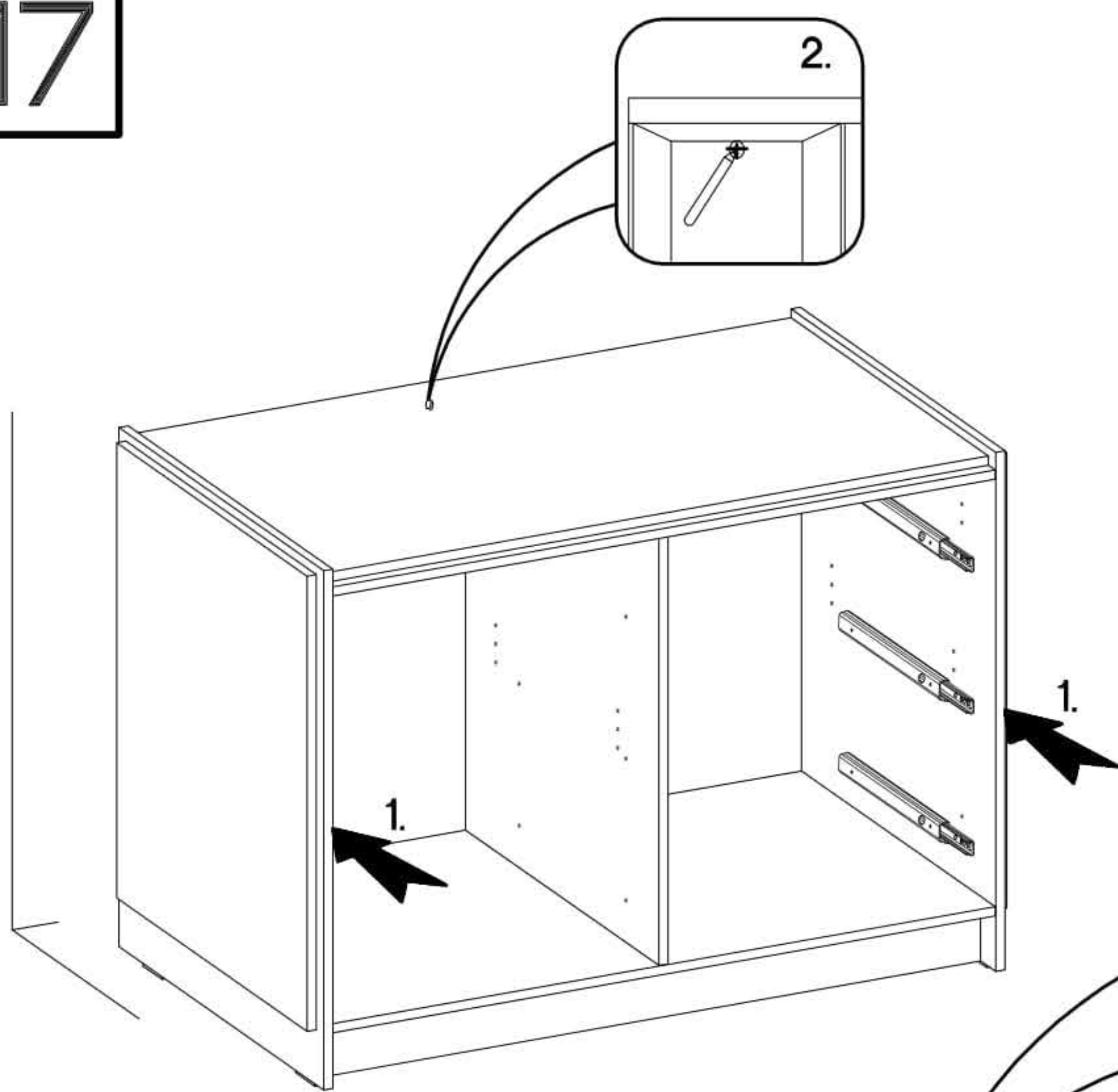
15

3.5x25mm BLACK  P25 4	4.0x16mm  P1 1
---	---

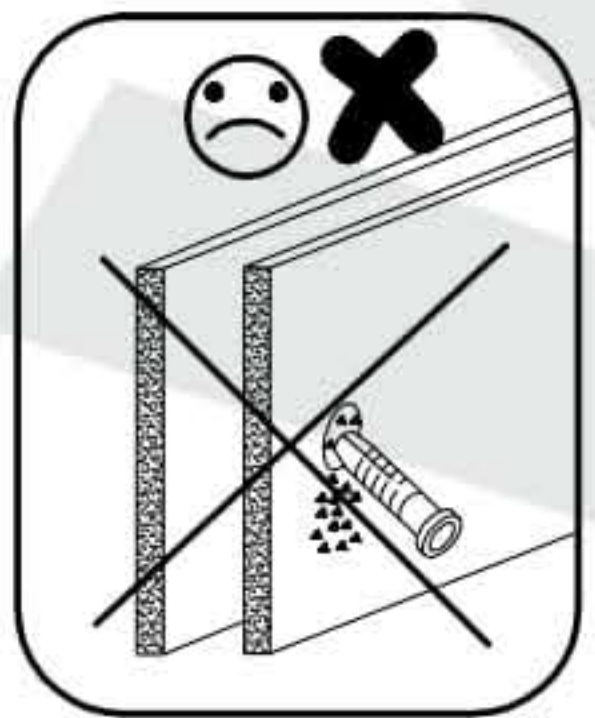
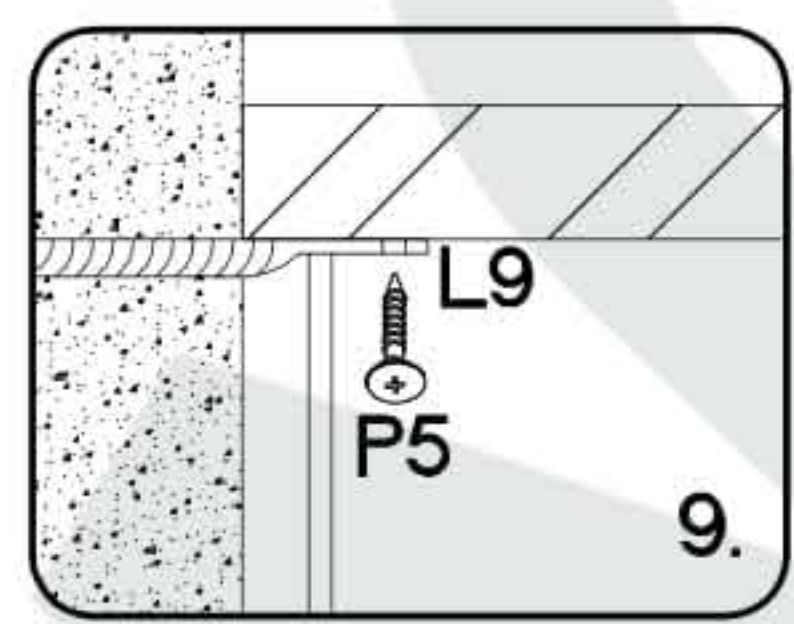
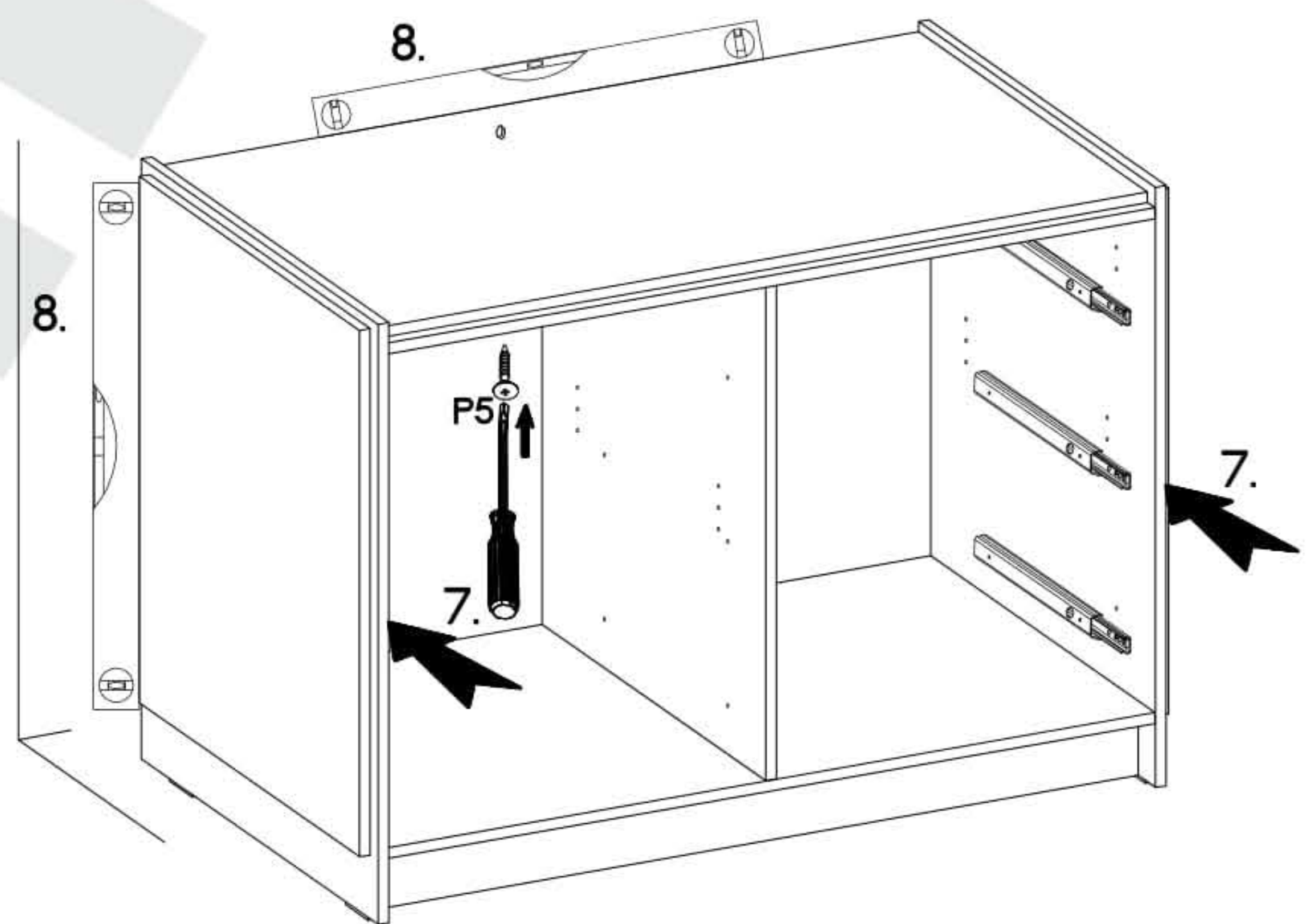
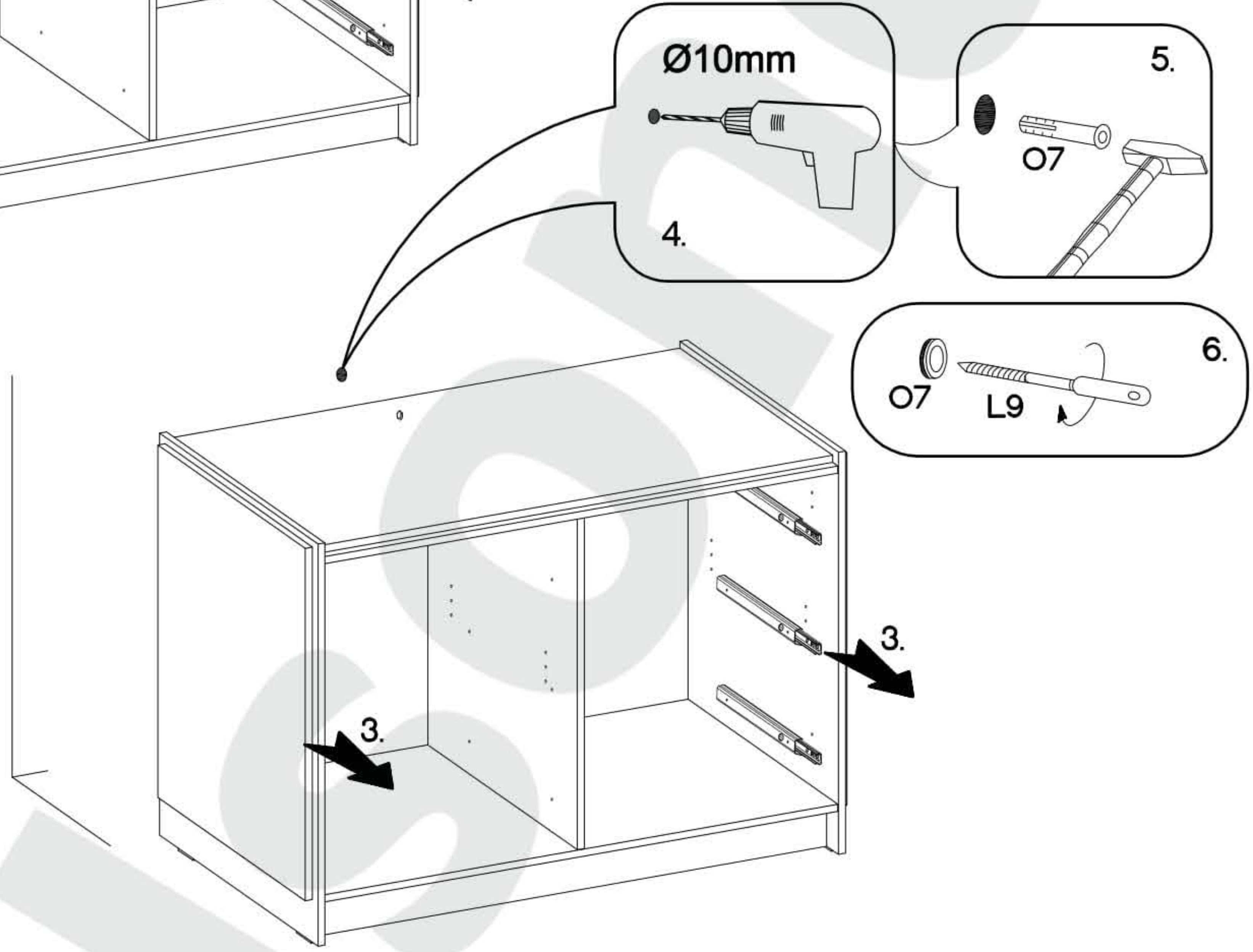


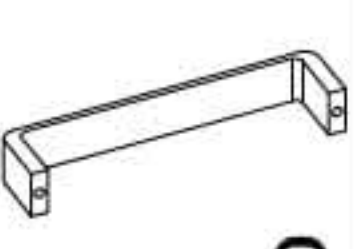


±3.0x20mm  P7 13	 L2 5	 L 10
---	---	---

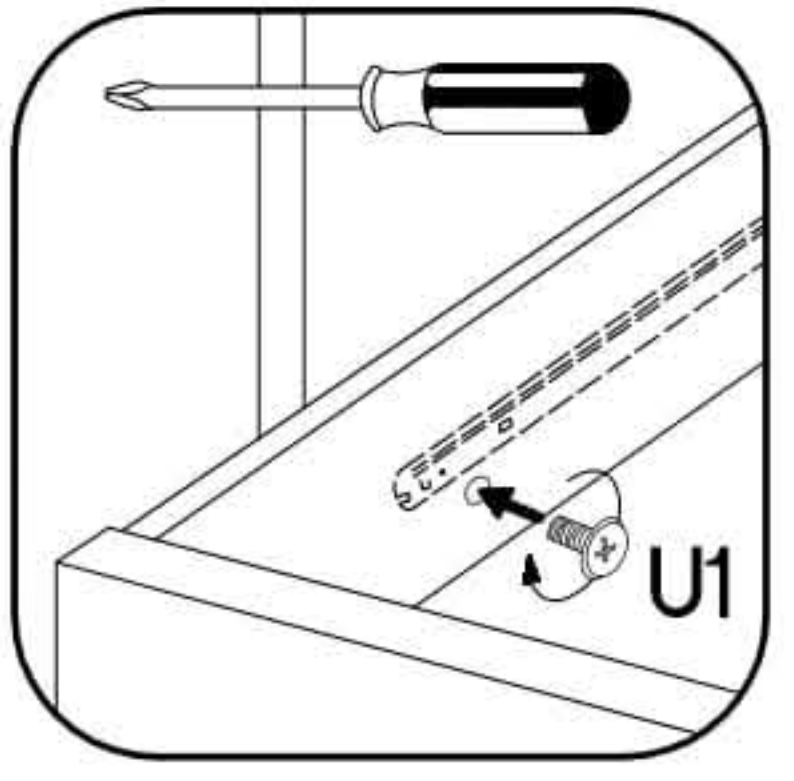
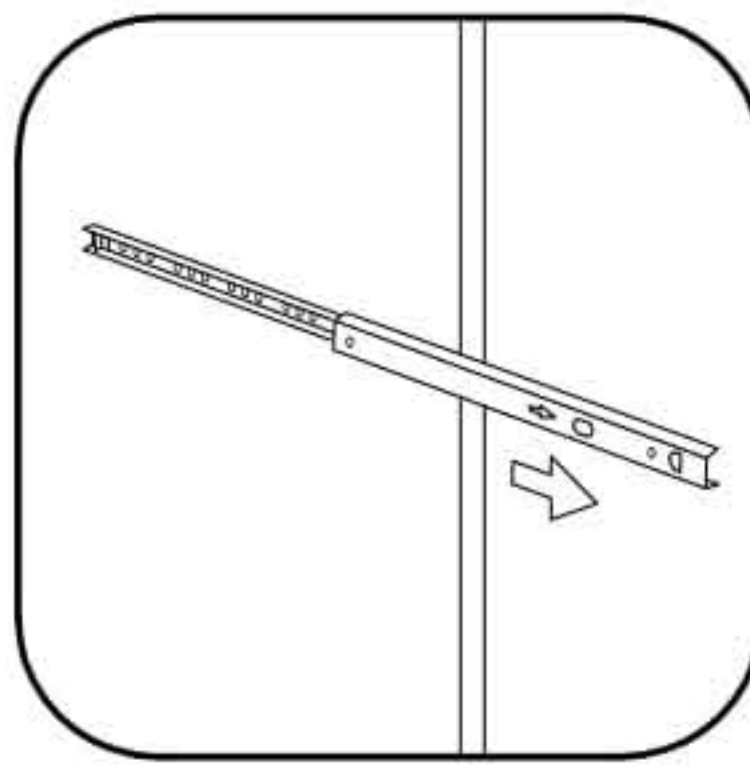
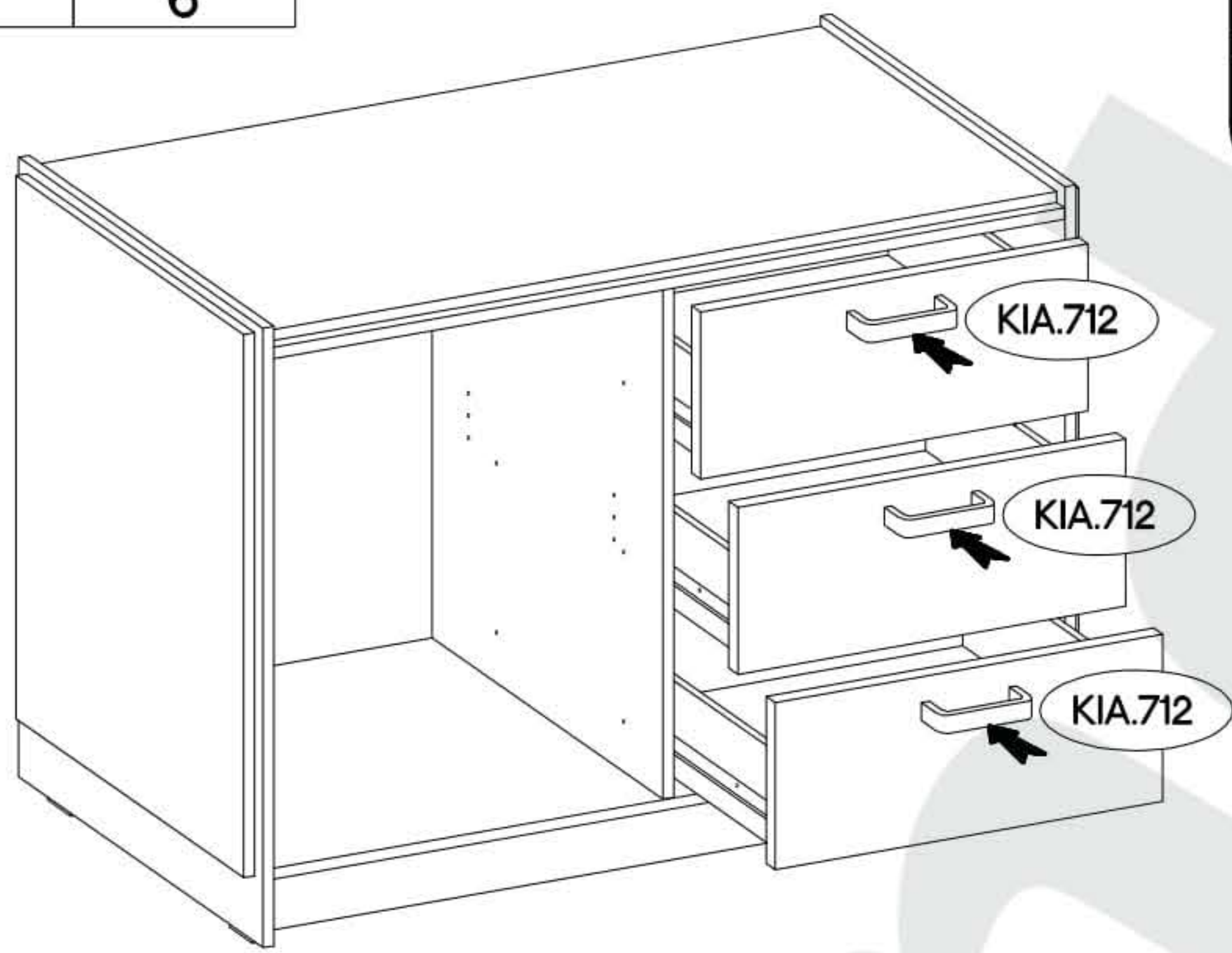
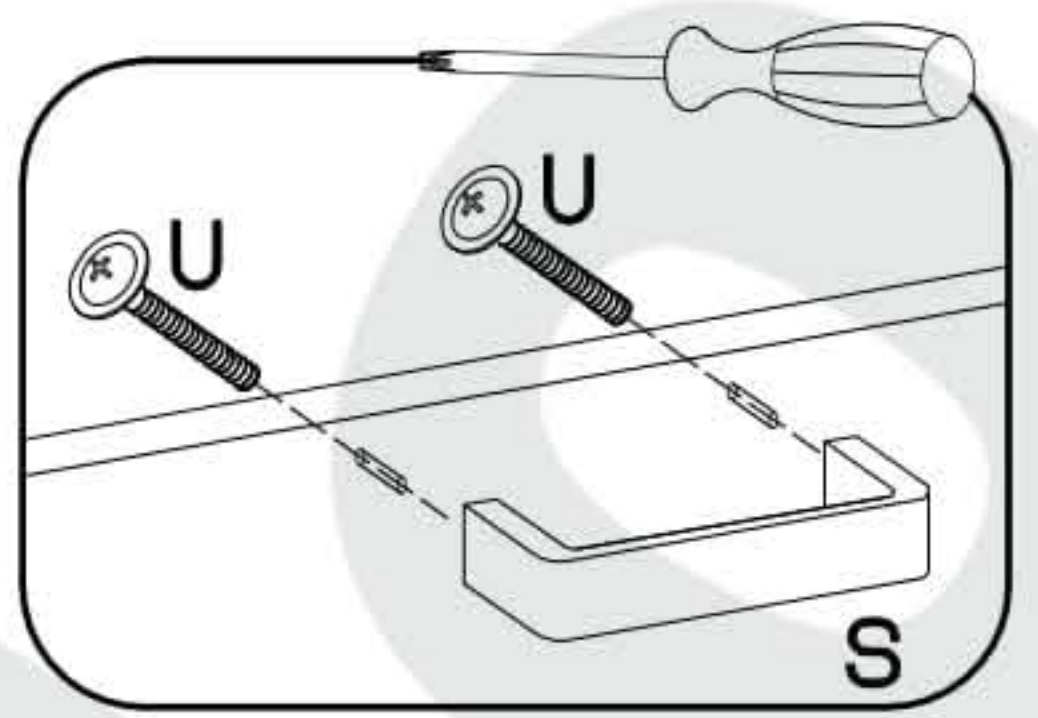






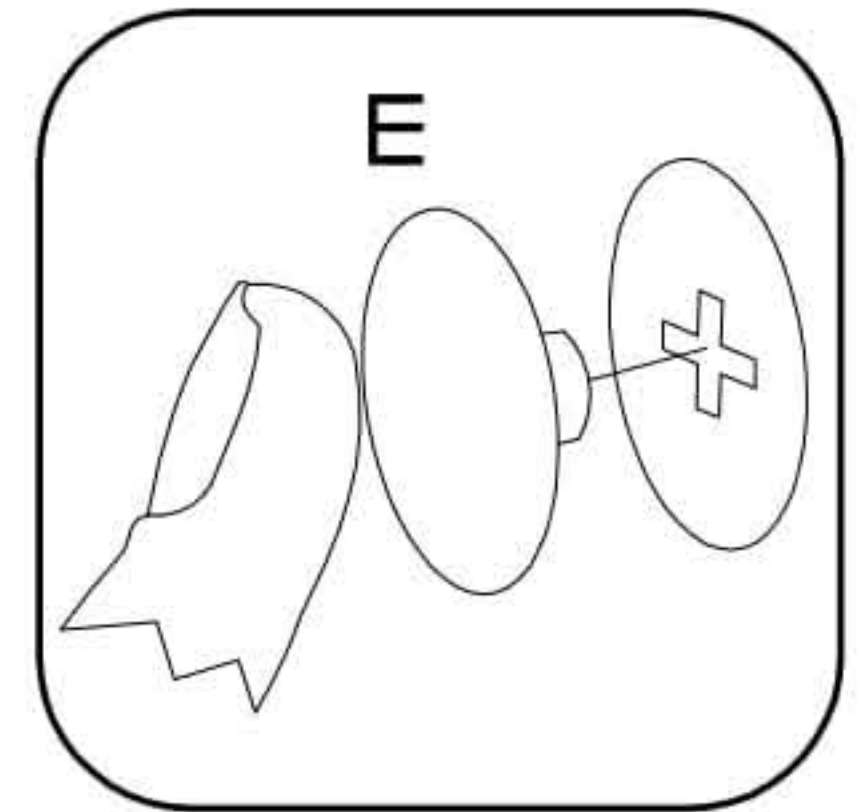
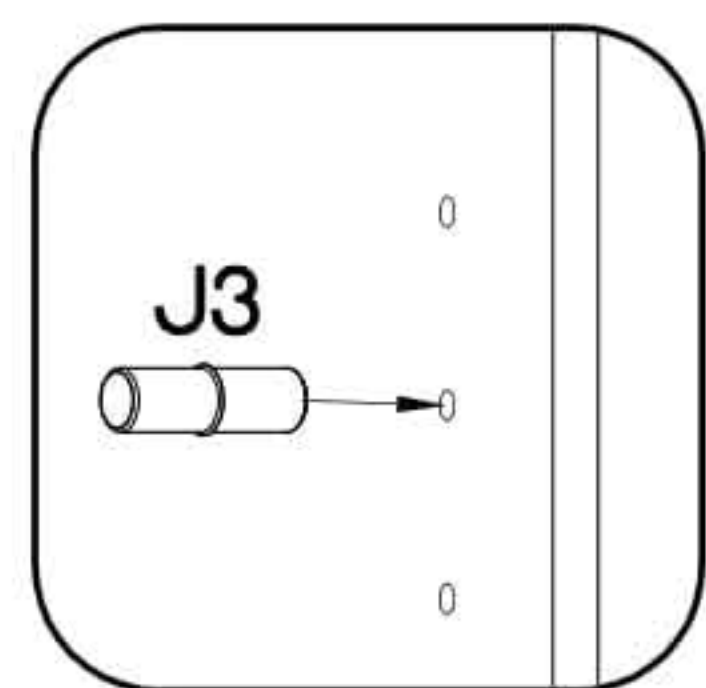
$\varnothing 10 \times 50 \text{mm}$ O7 1	$\varnothing 3.5 \times 13 \text{mm}$ L9 1	$\varnothing 3.5 \times 13 \text{mm}$ P5 1
--	---	---



L=128mm	M4x22mm	M4x9mm
		
S	U	U1
3	6	6

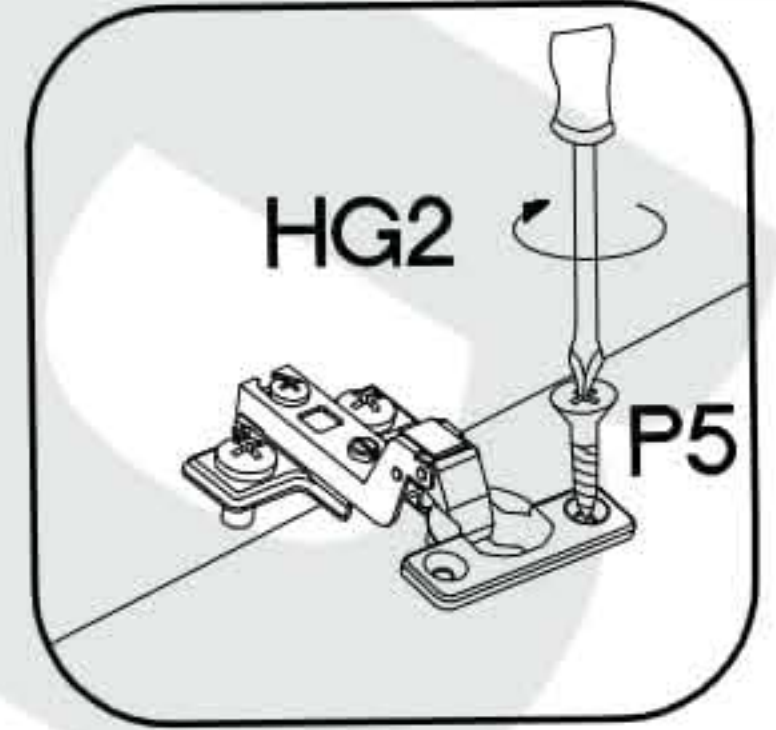
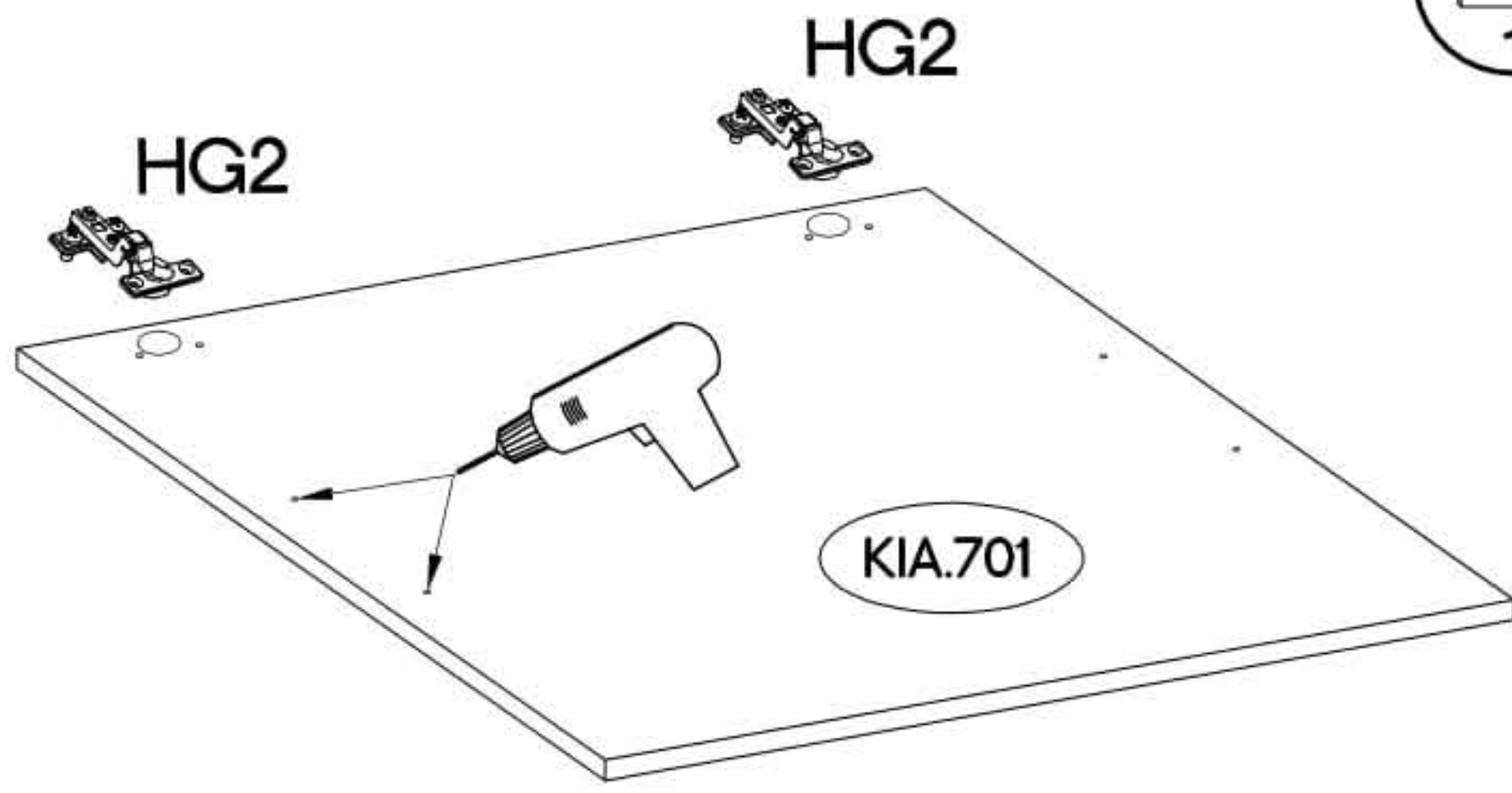
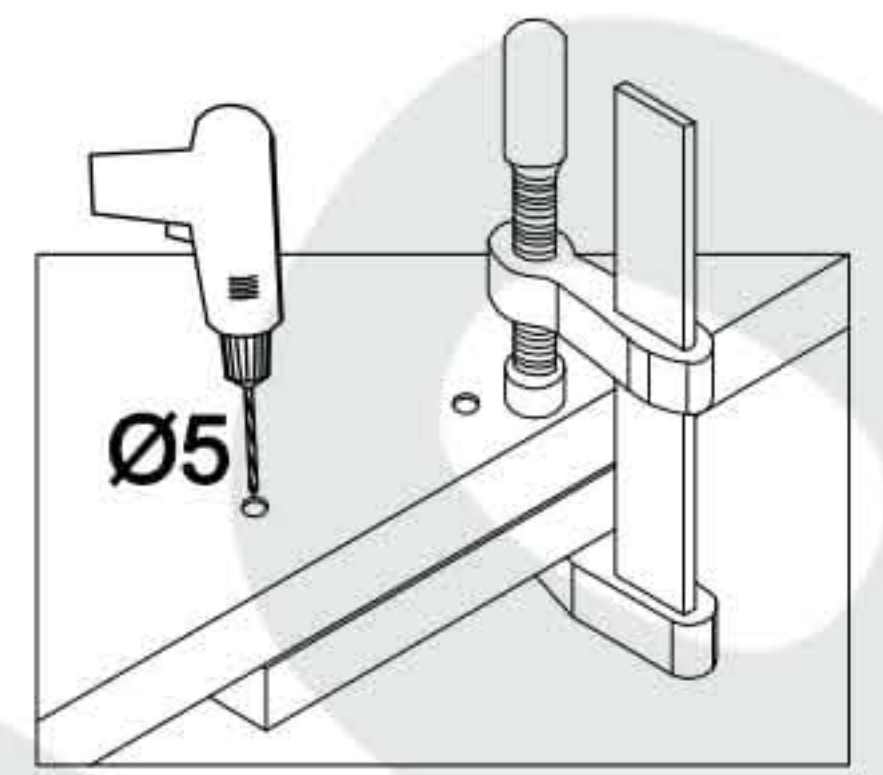


±5/16mm		
J3	cza. E	art. E
4	4	6



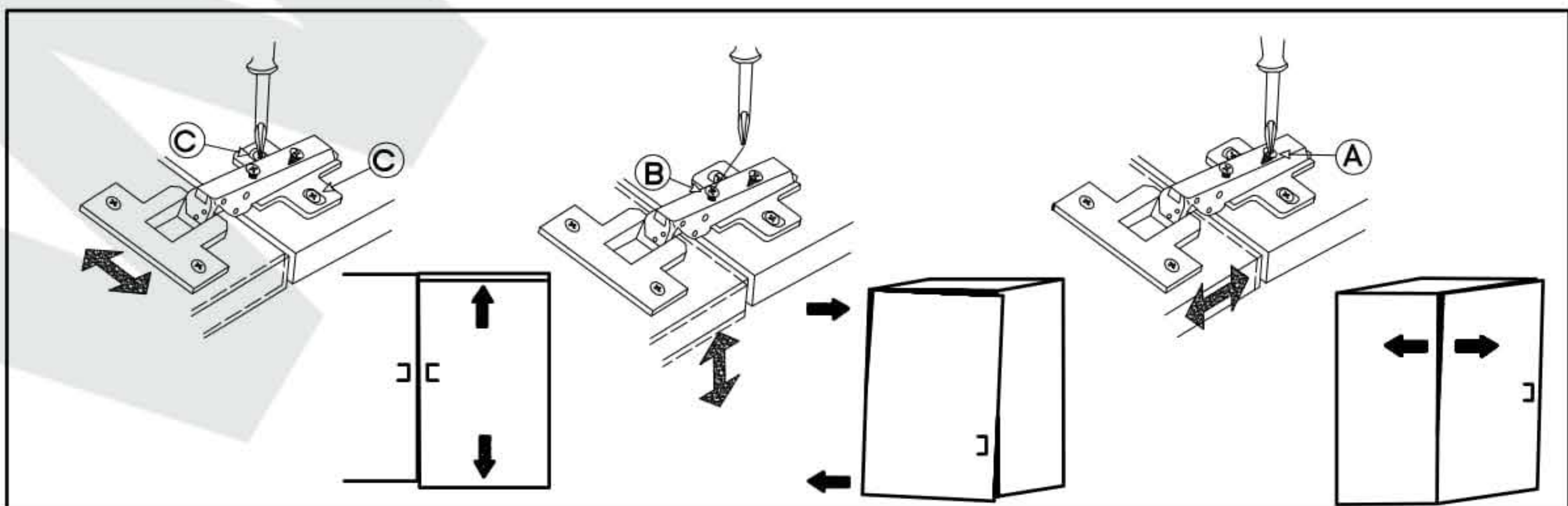
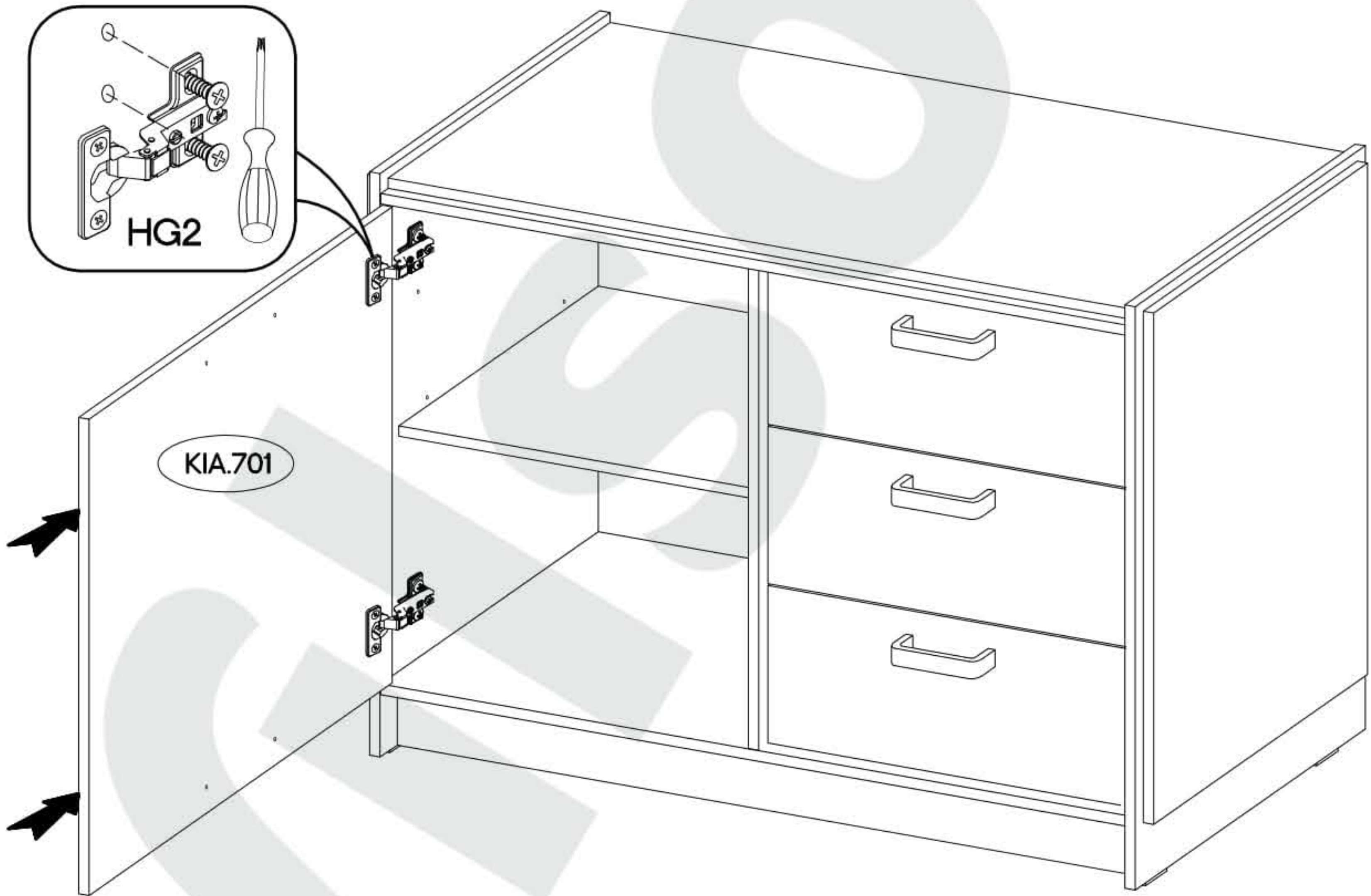
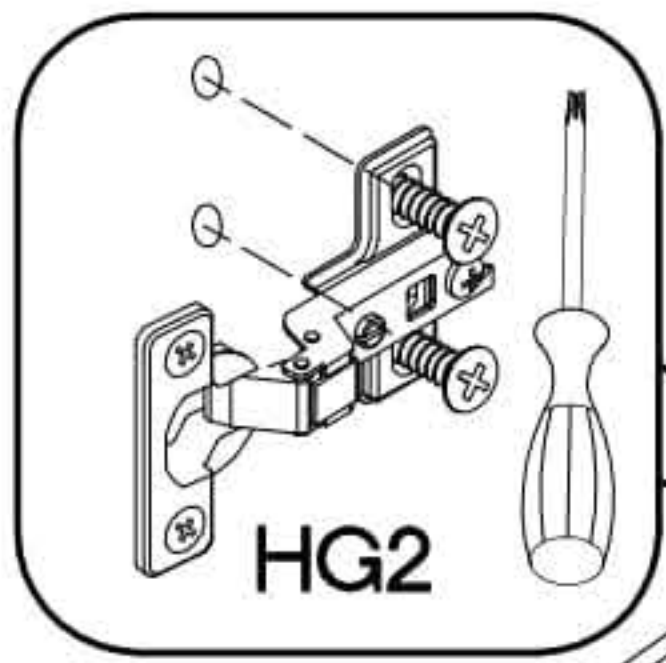
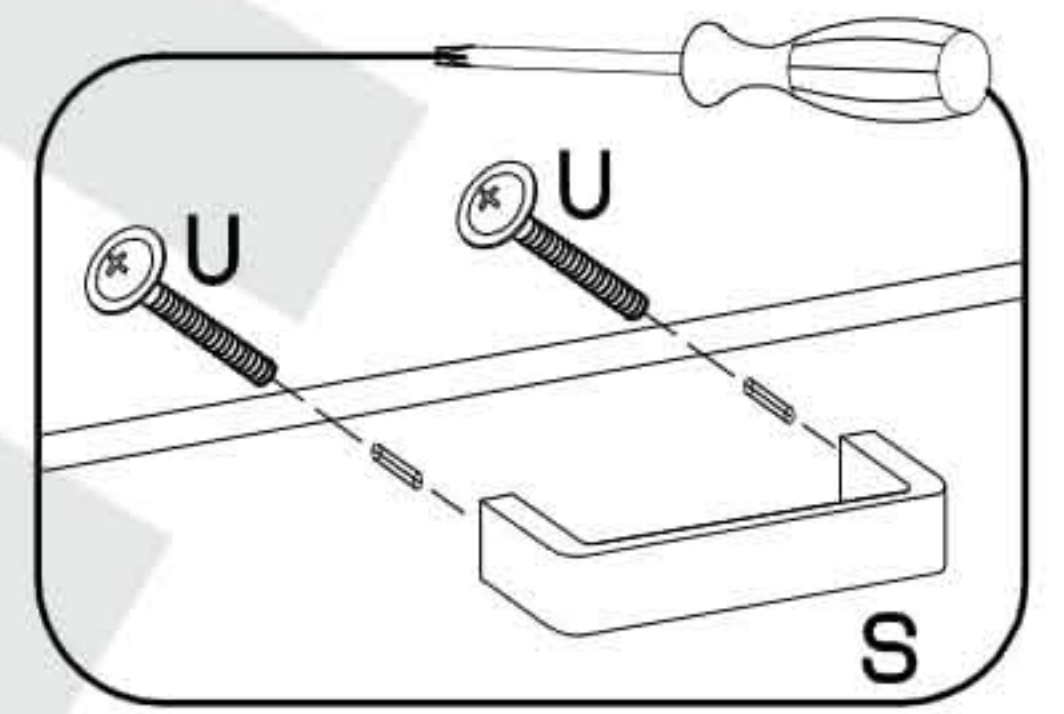
20

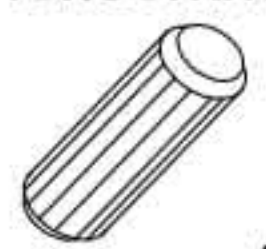


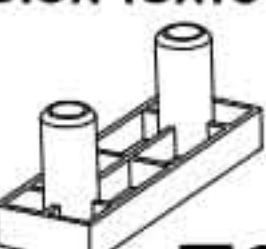



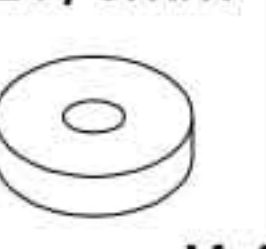
†35/16mm	†3.5x13mm
HG2	P5
2	4

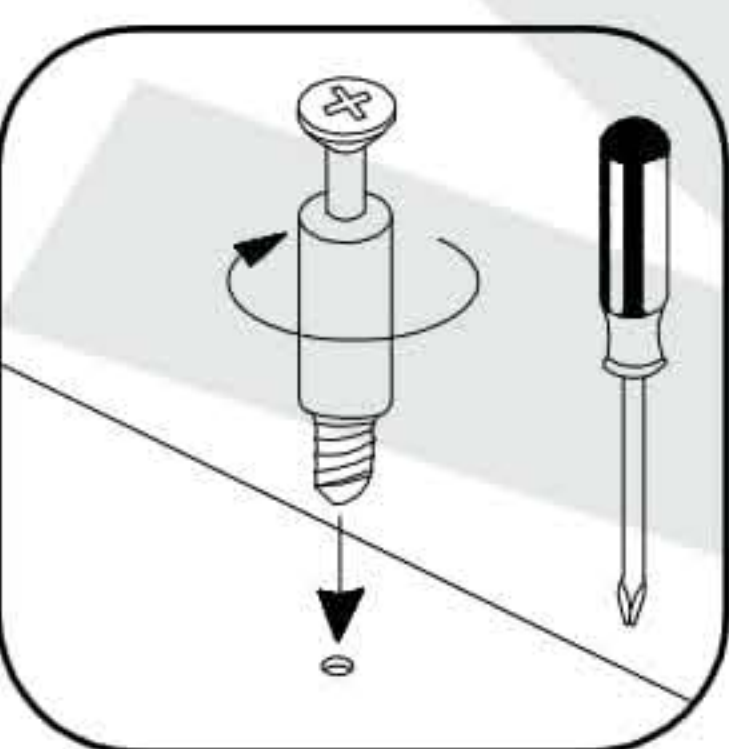
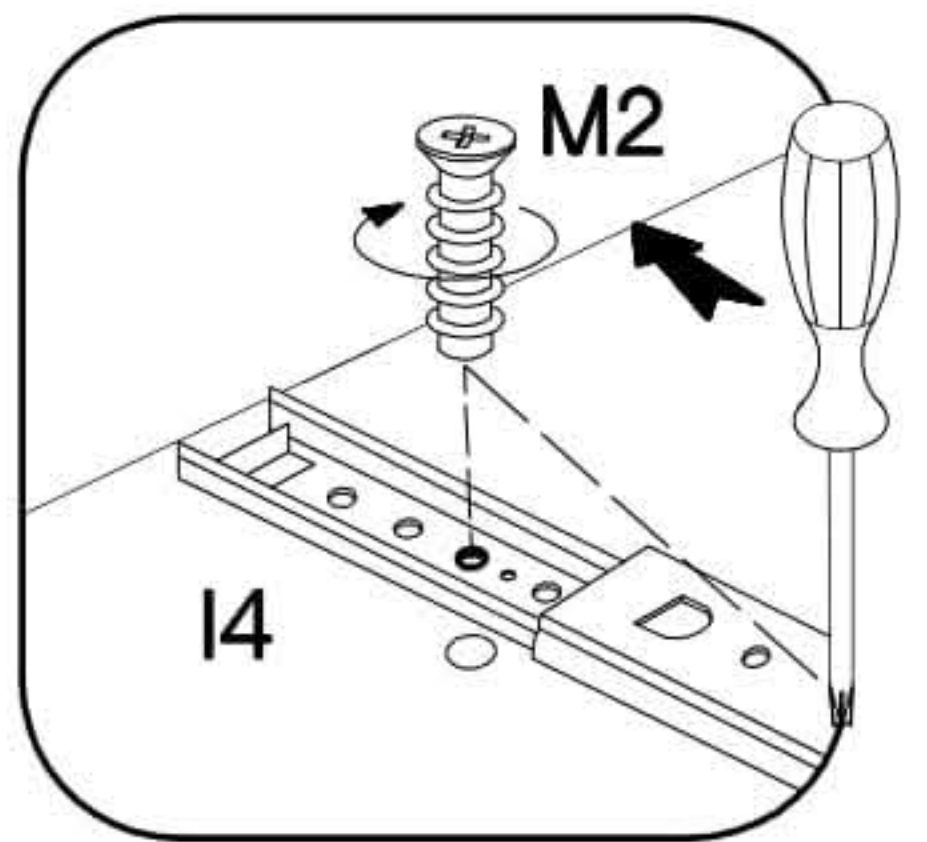
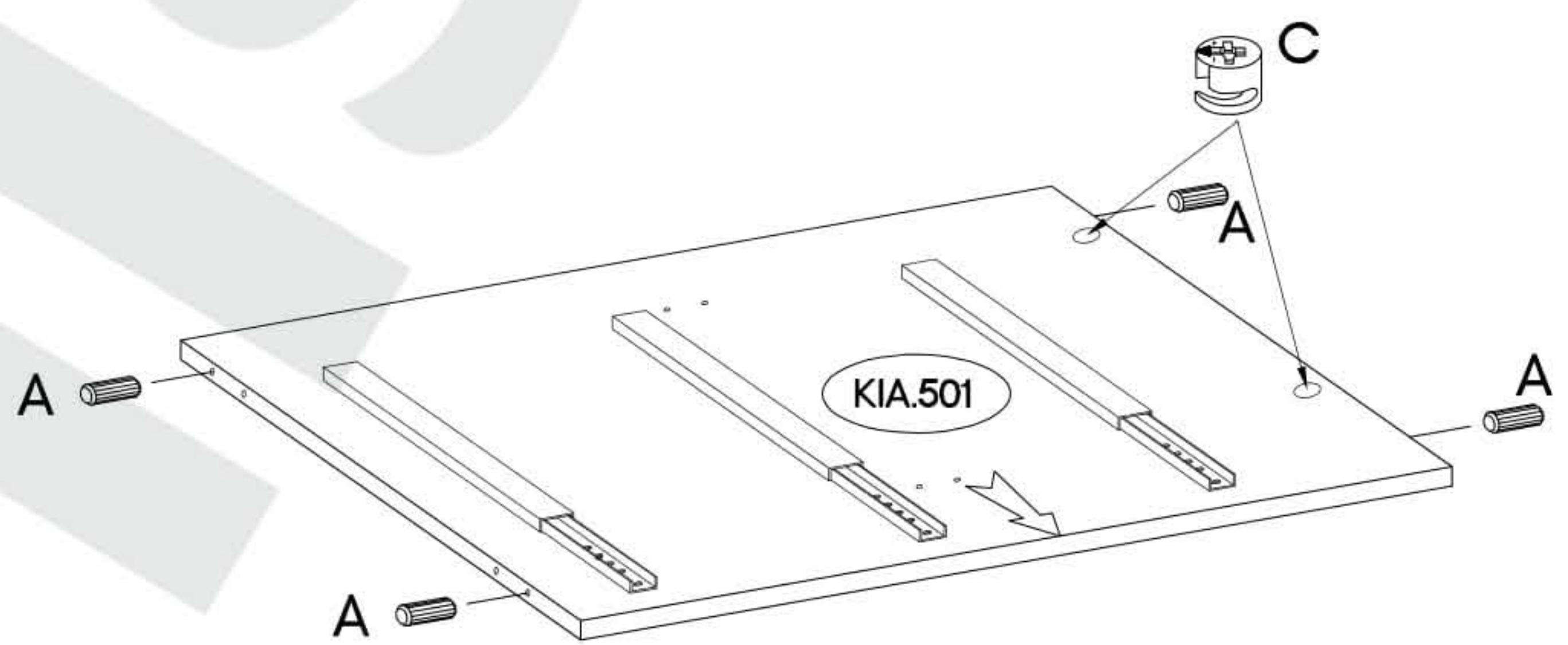
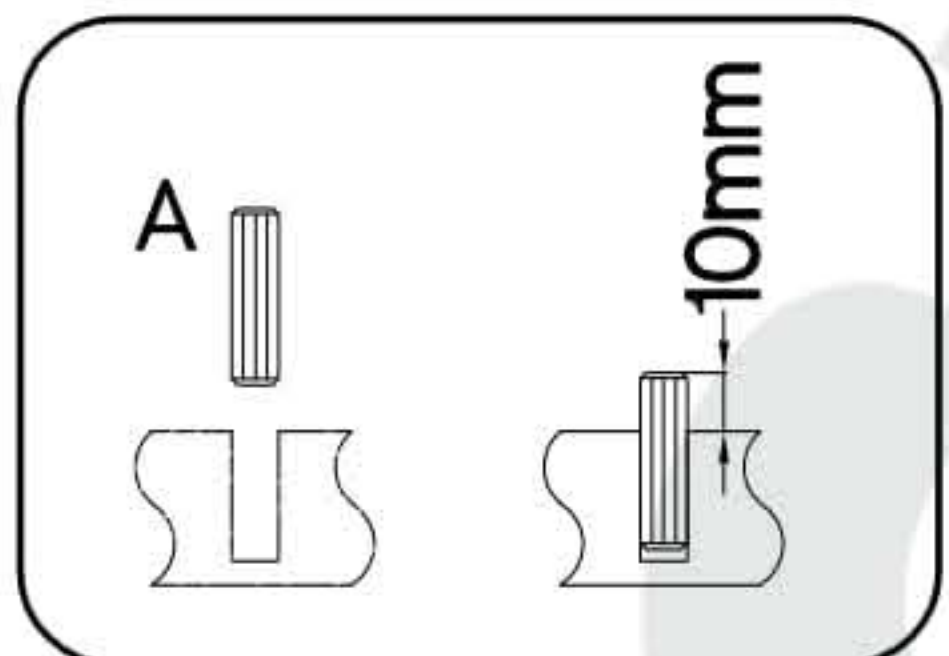
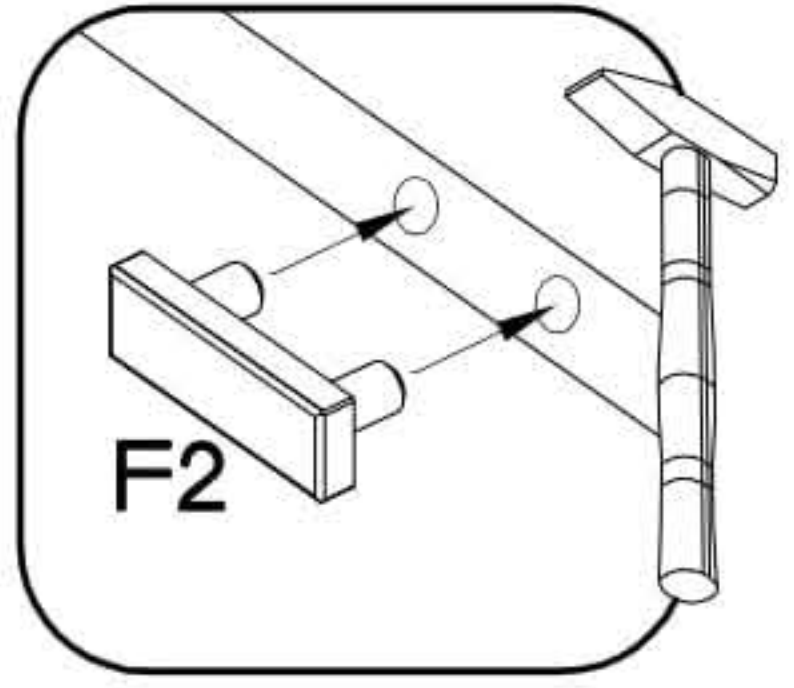
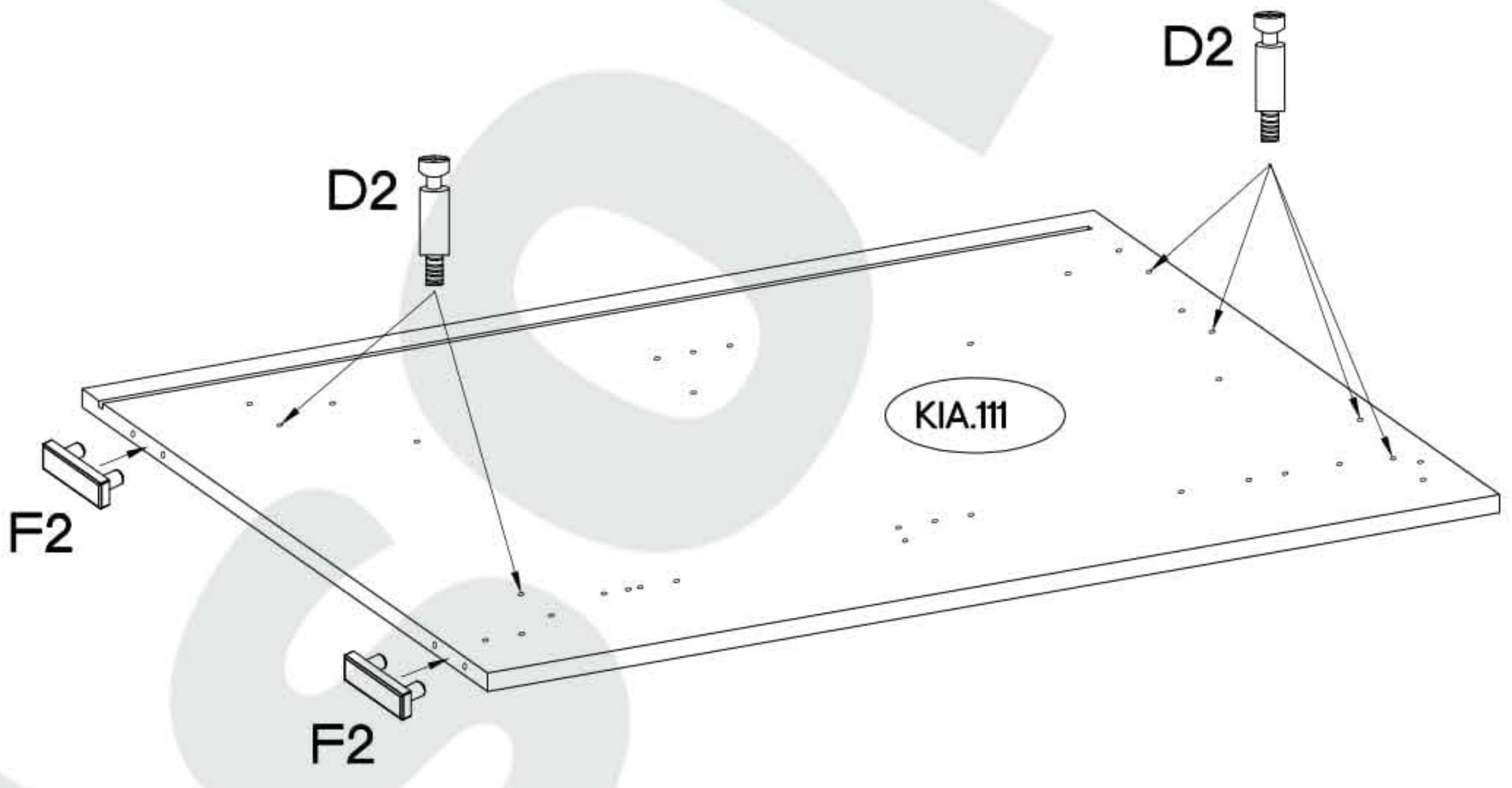
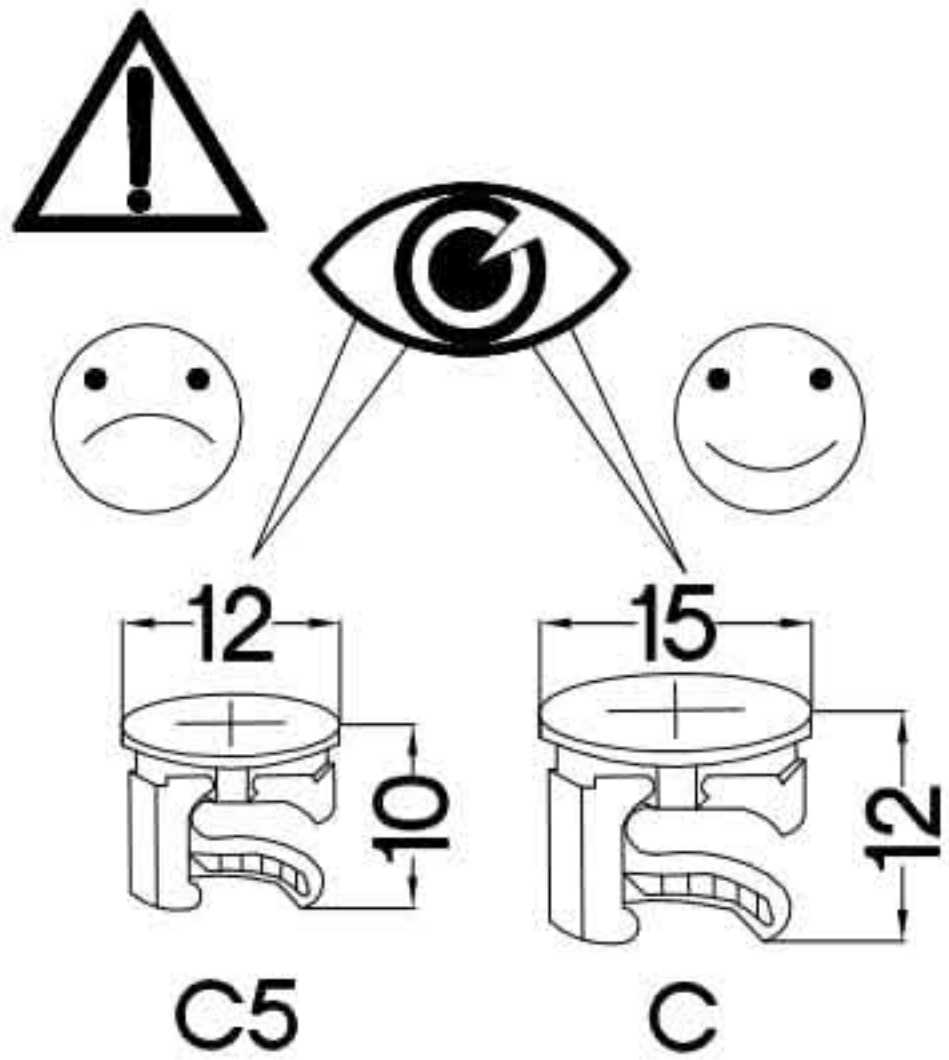
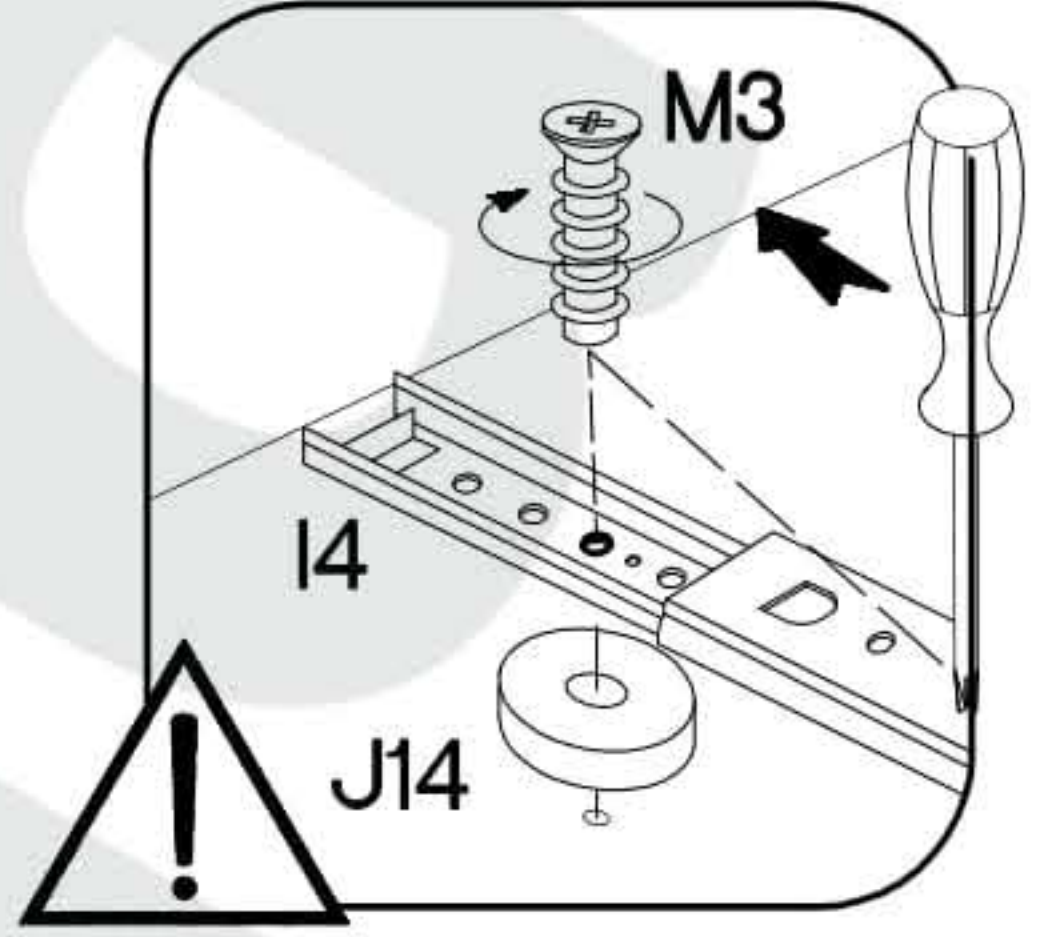
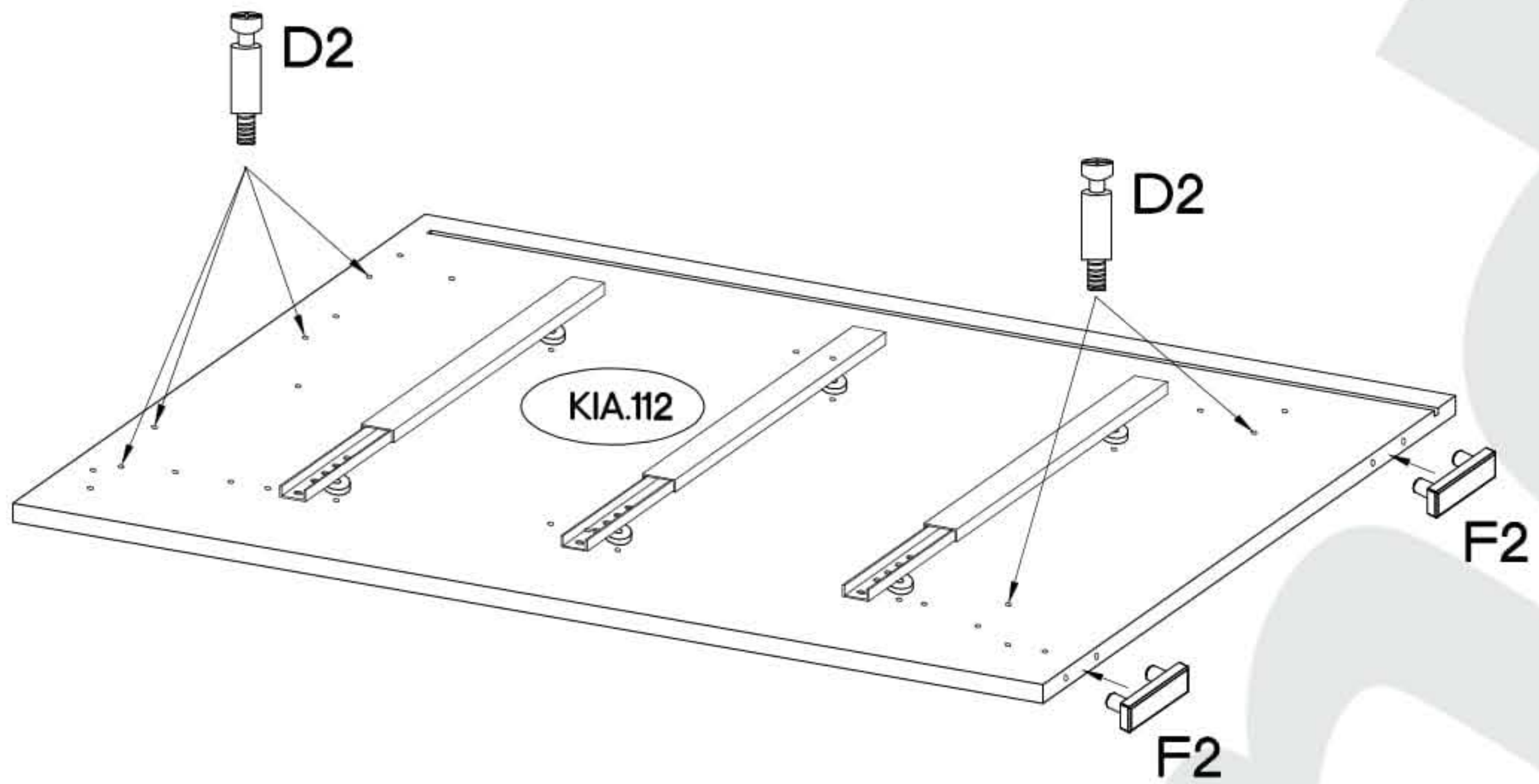
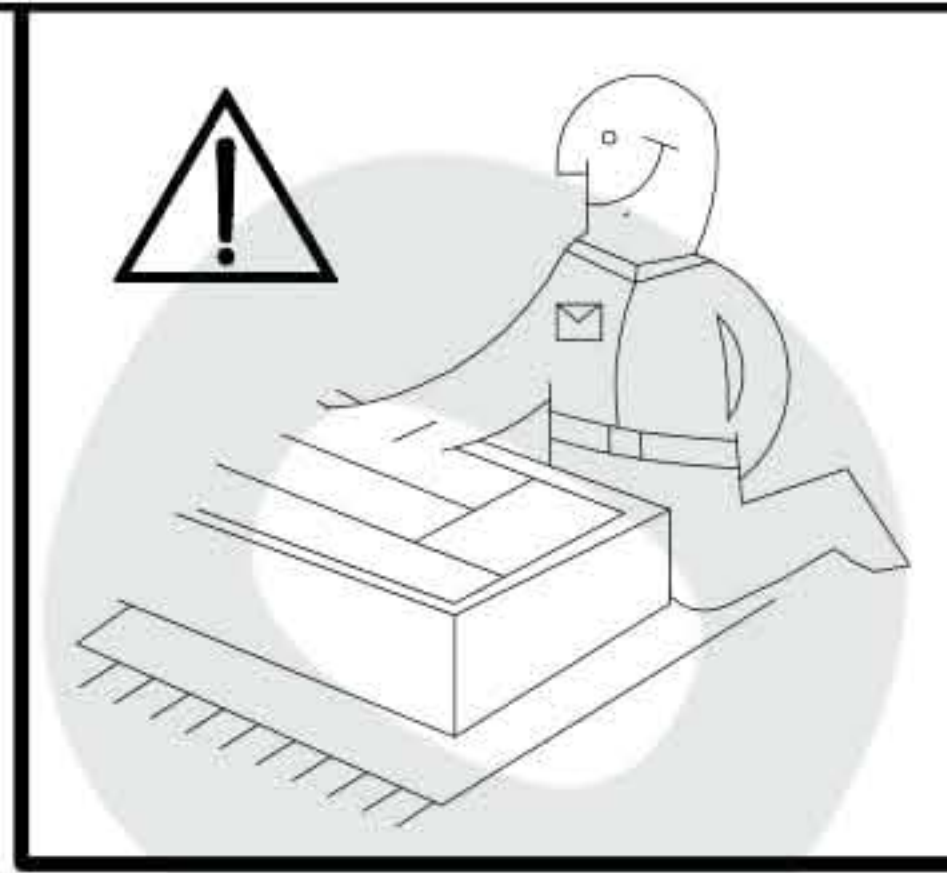


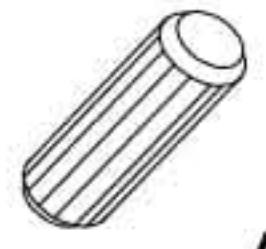


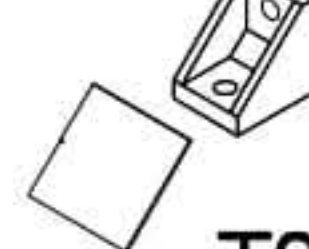


21

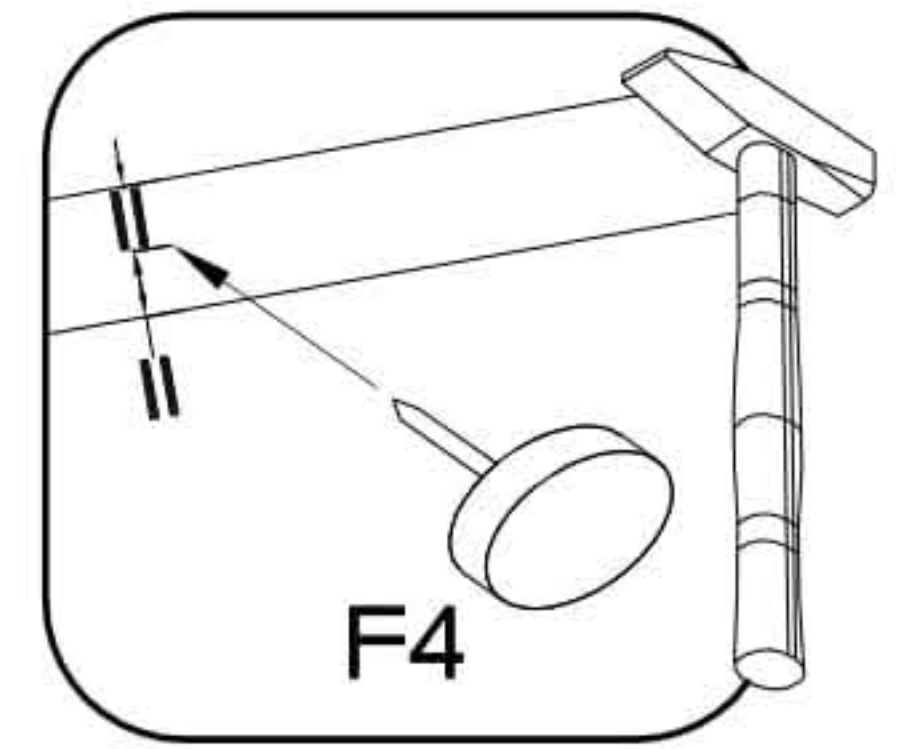
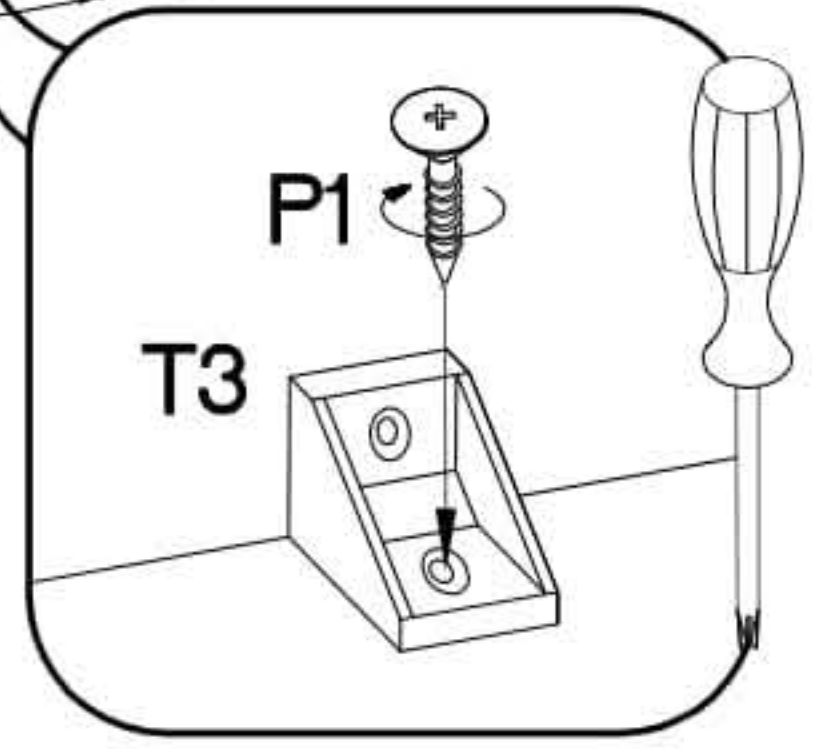
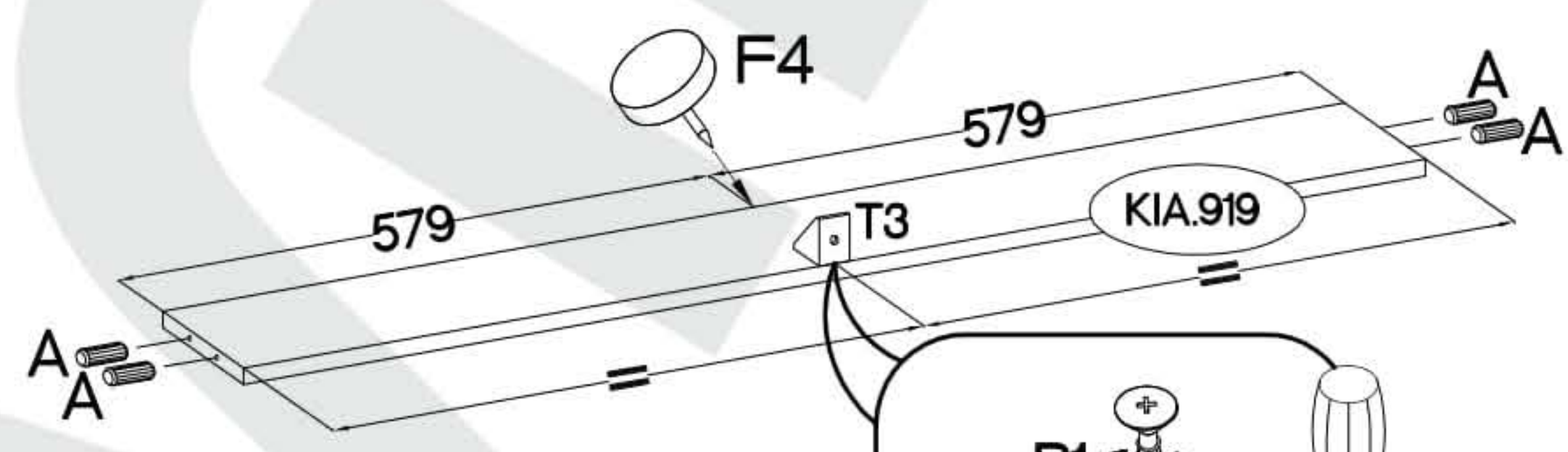
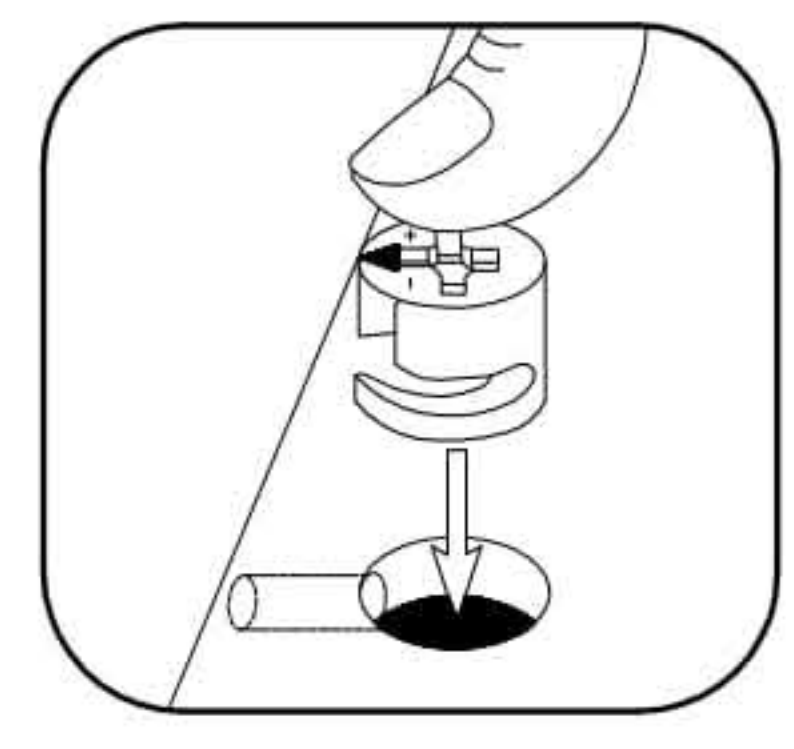
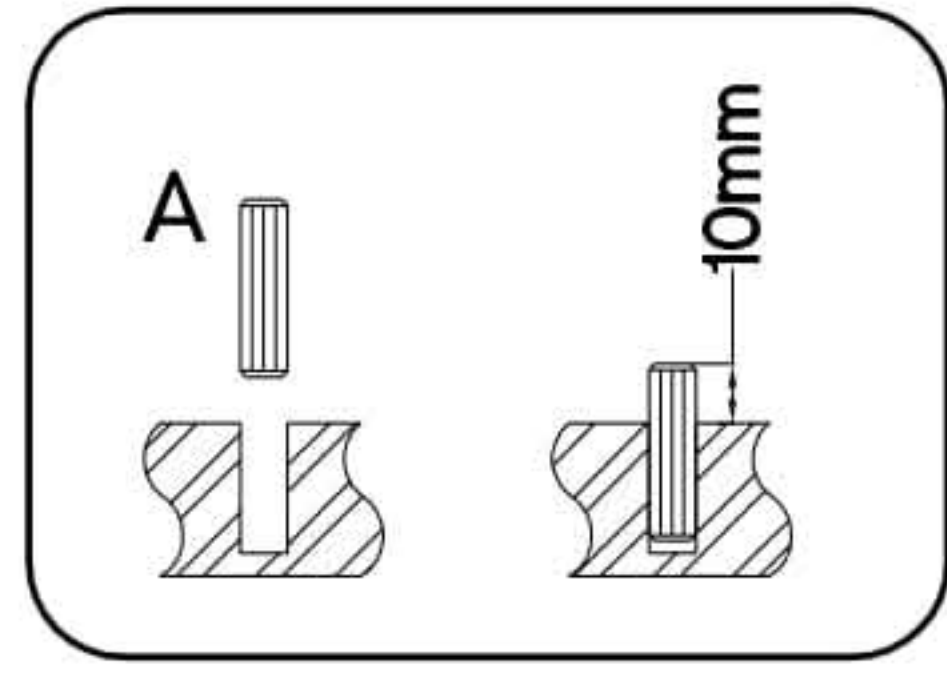
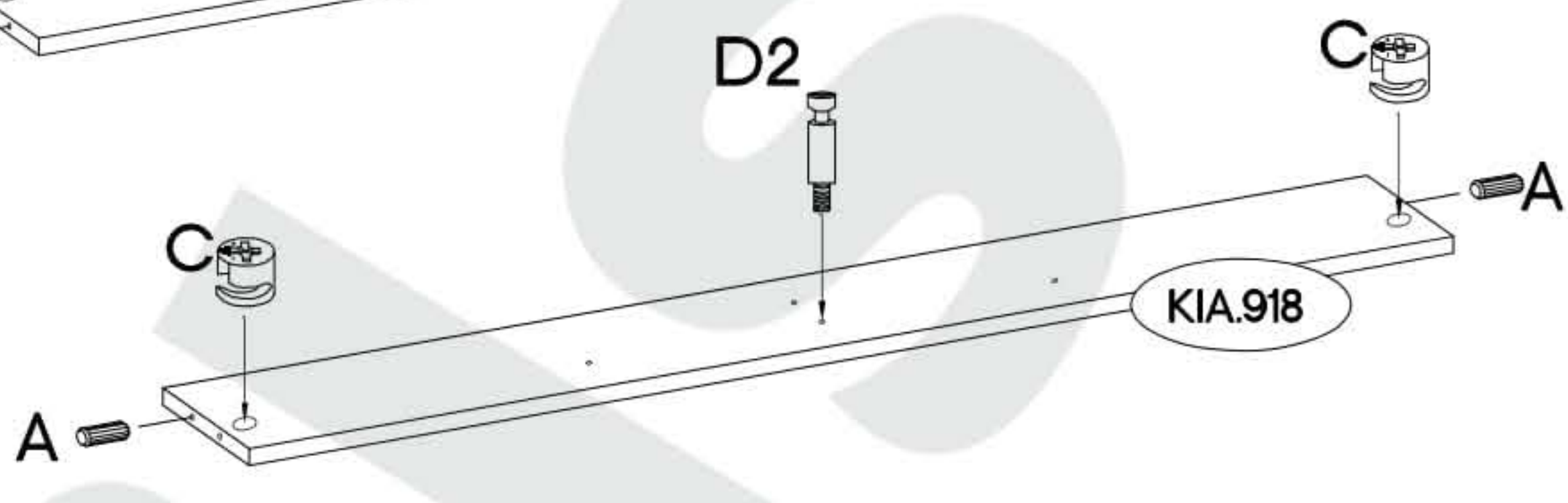
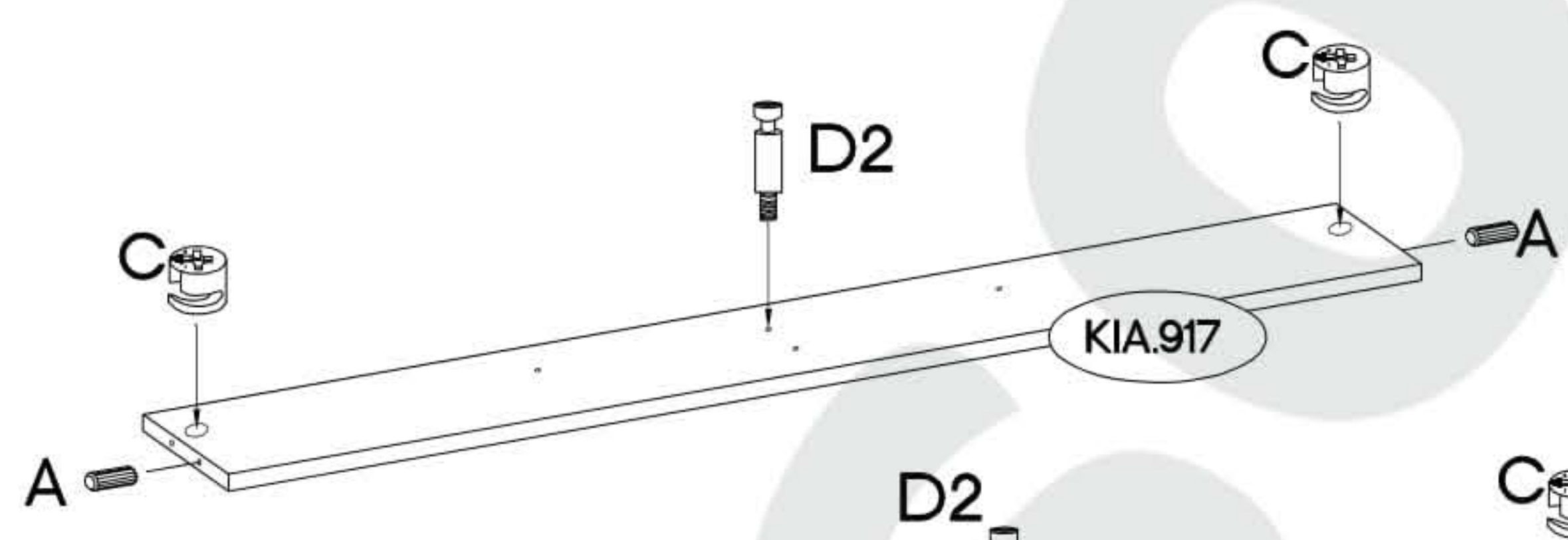
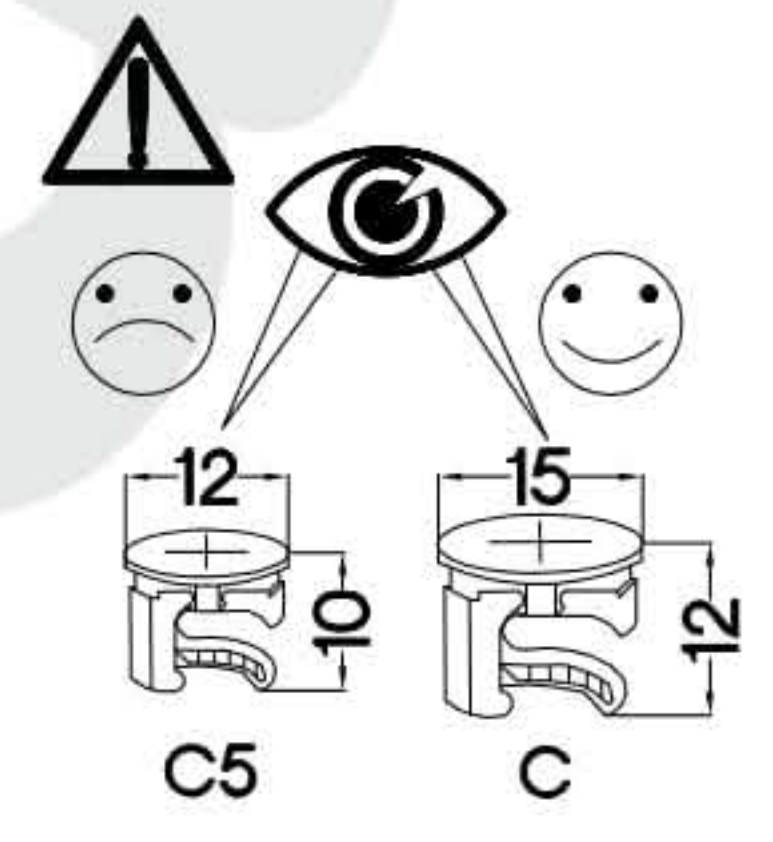
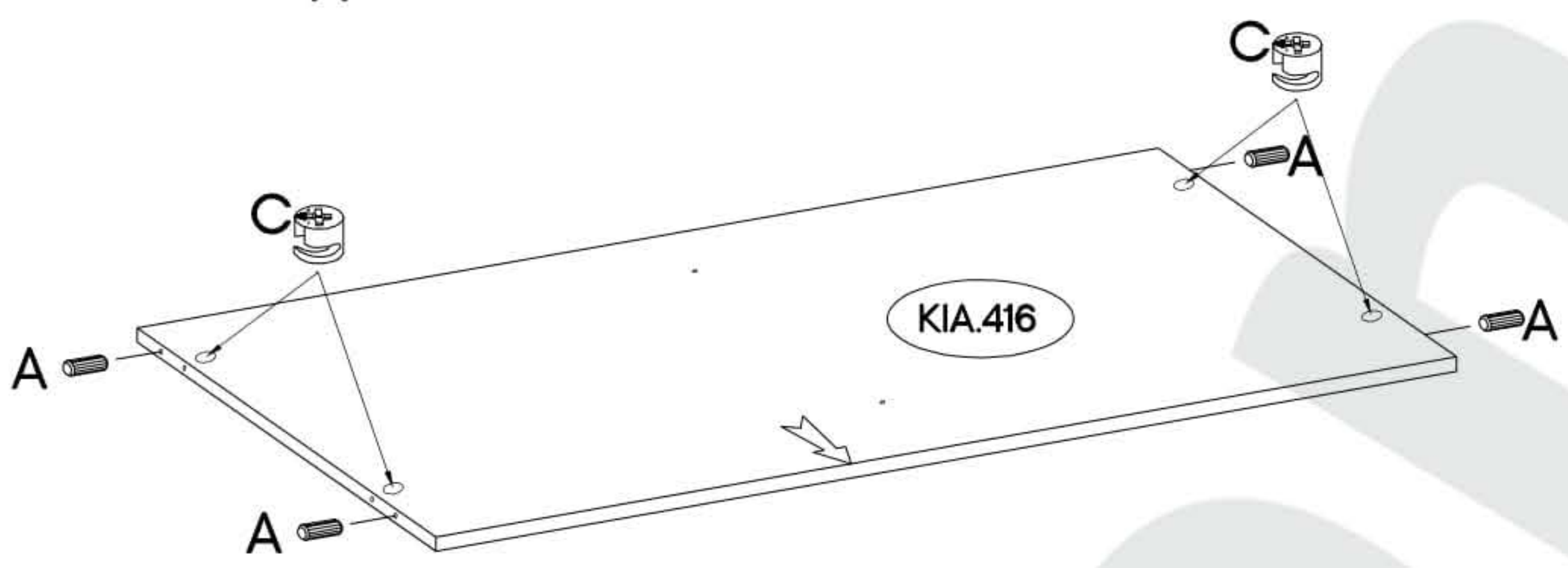
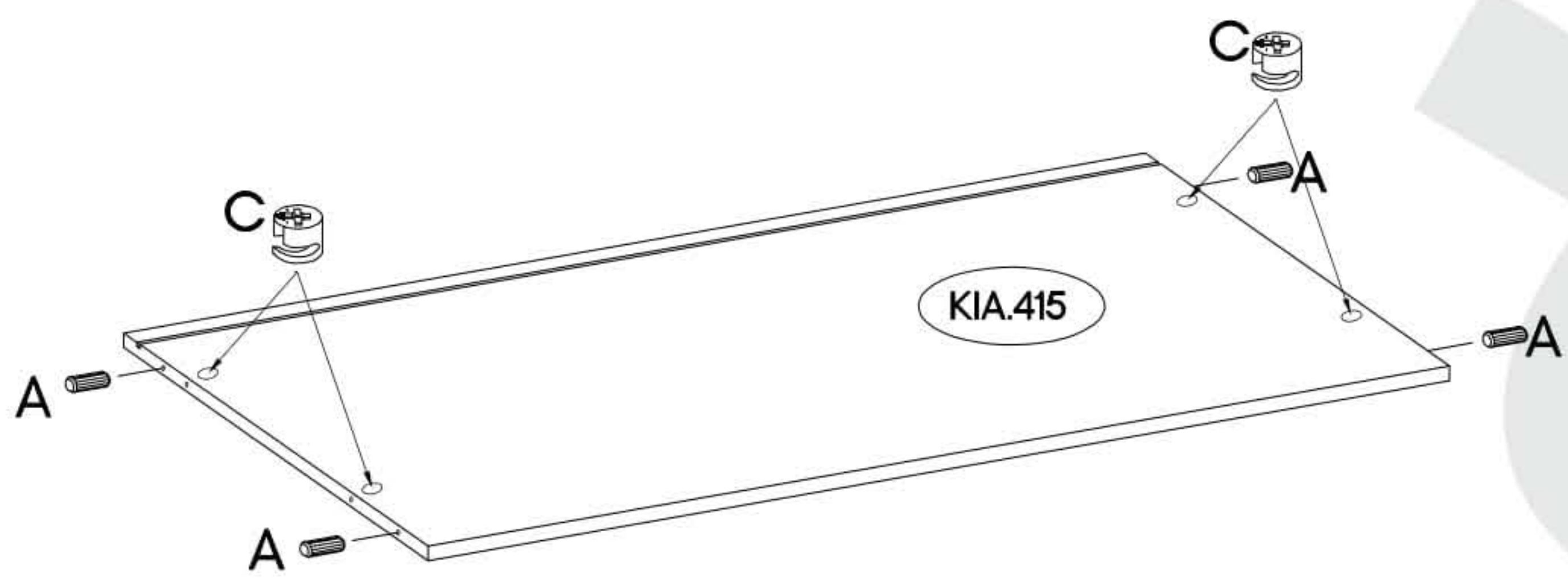
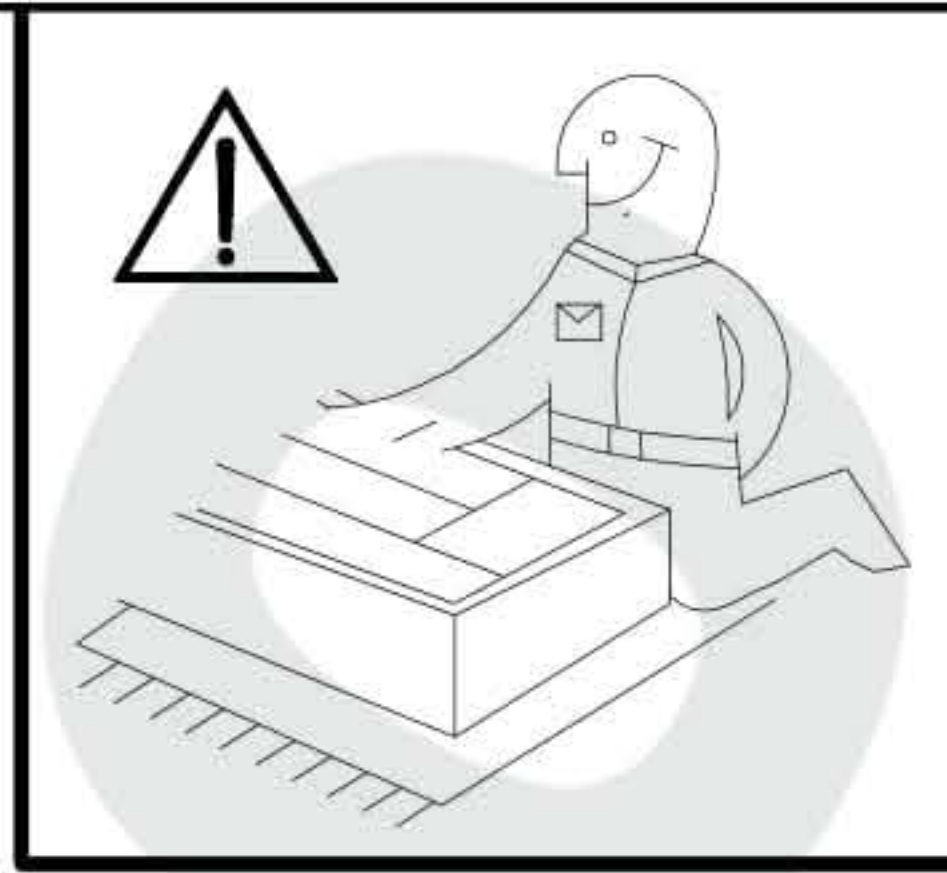
L=128mm	M4x22mm
S	U
1	2



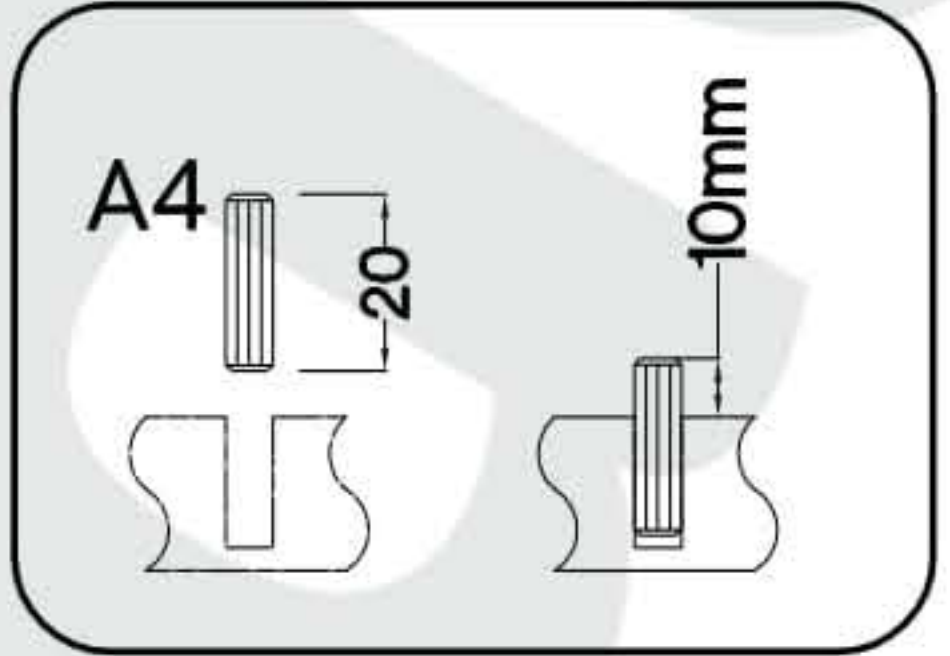
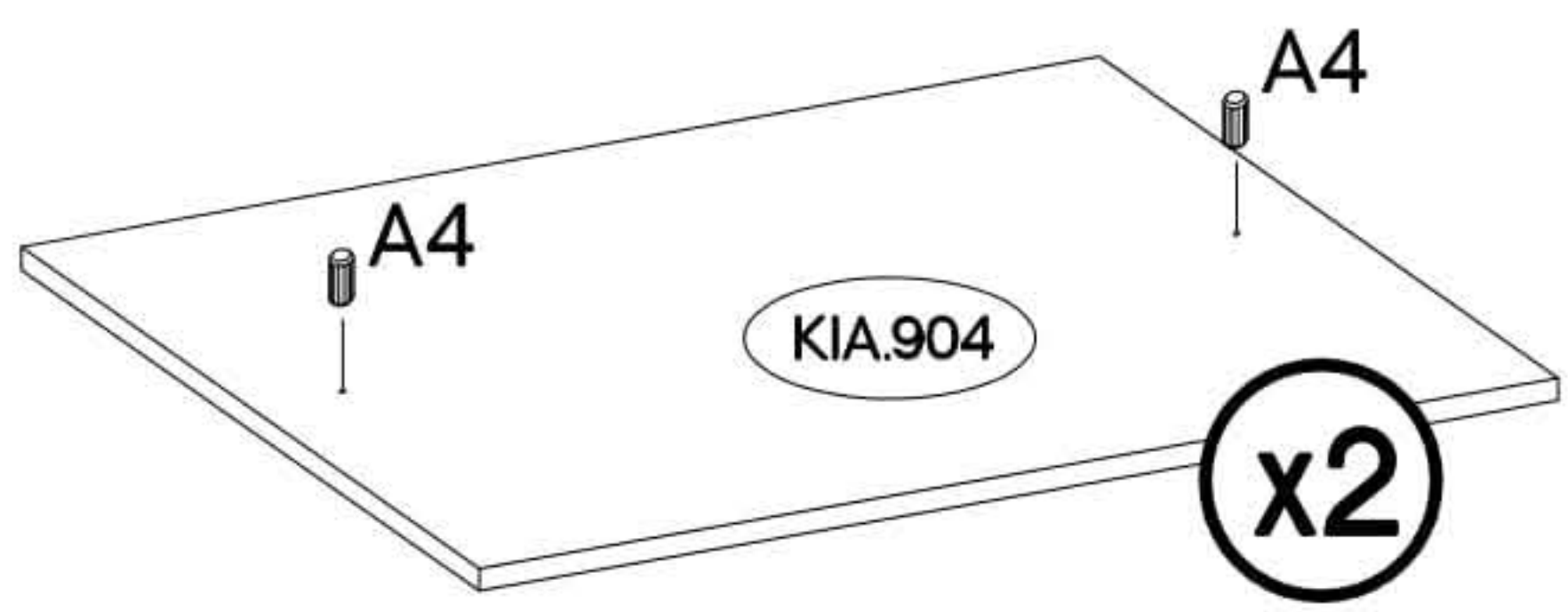
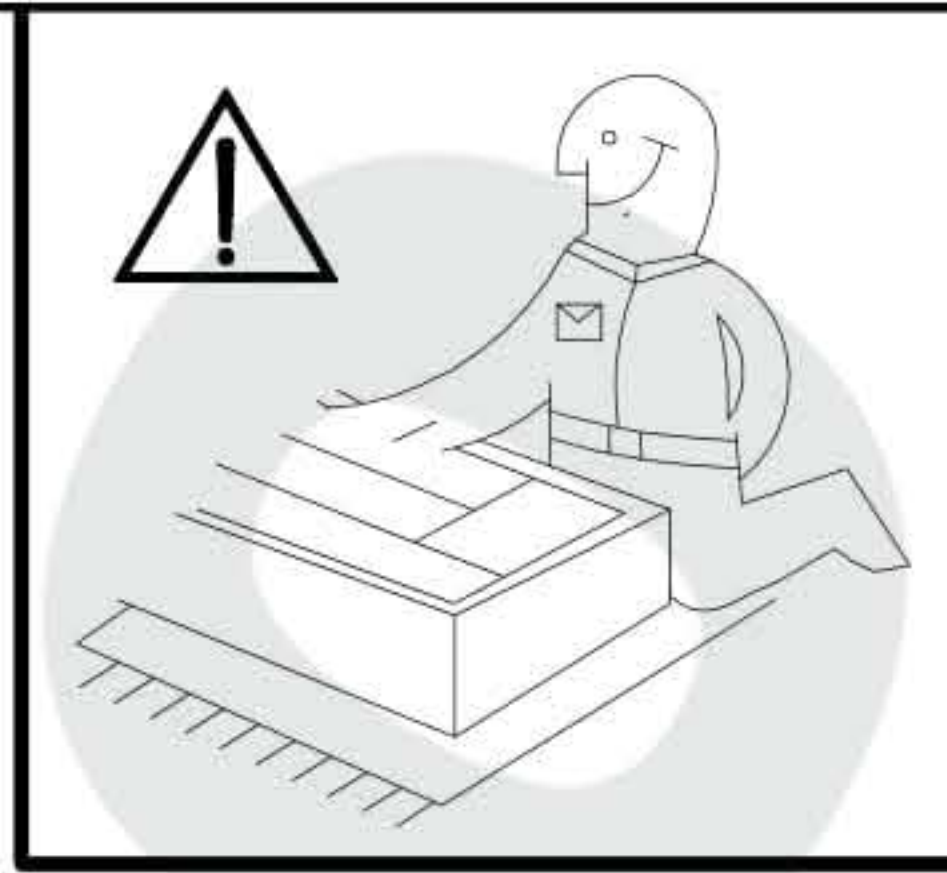
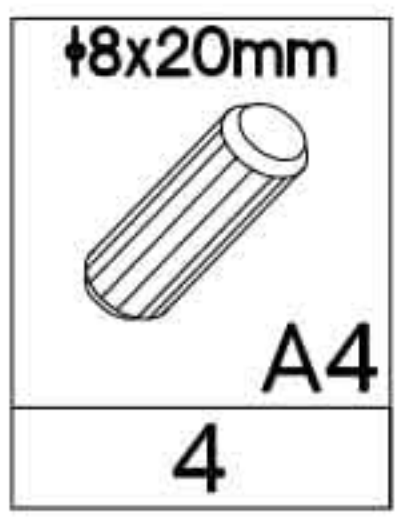
†8x30mm  A	L=20mm  D2	†15/12mm  C	6.5x48x16  F2	27/310mm  I4	†6,3x13mm  M2	†6.3x20mm  M3	†20/8mm  J14
4	12	2	4	3	6	6	6



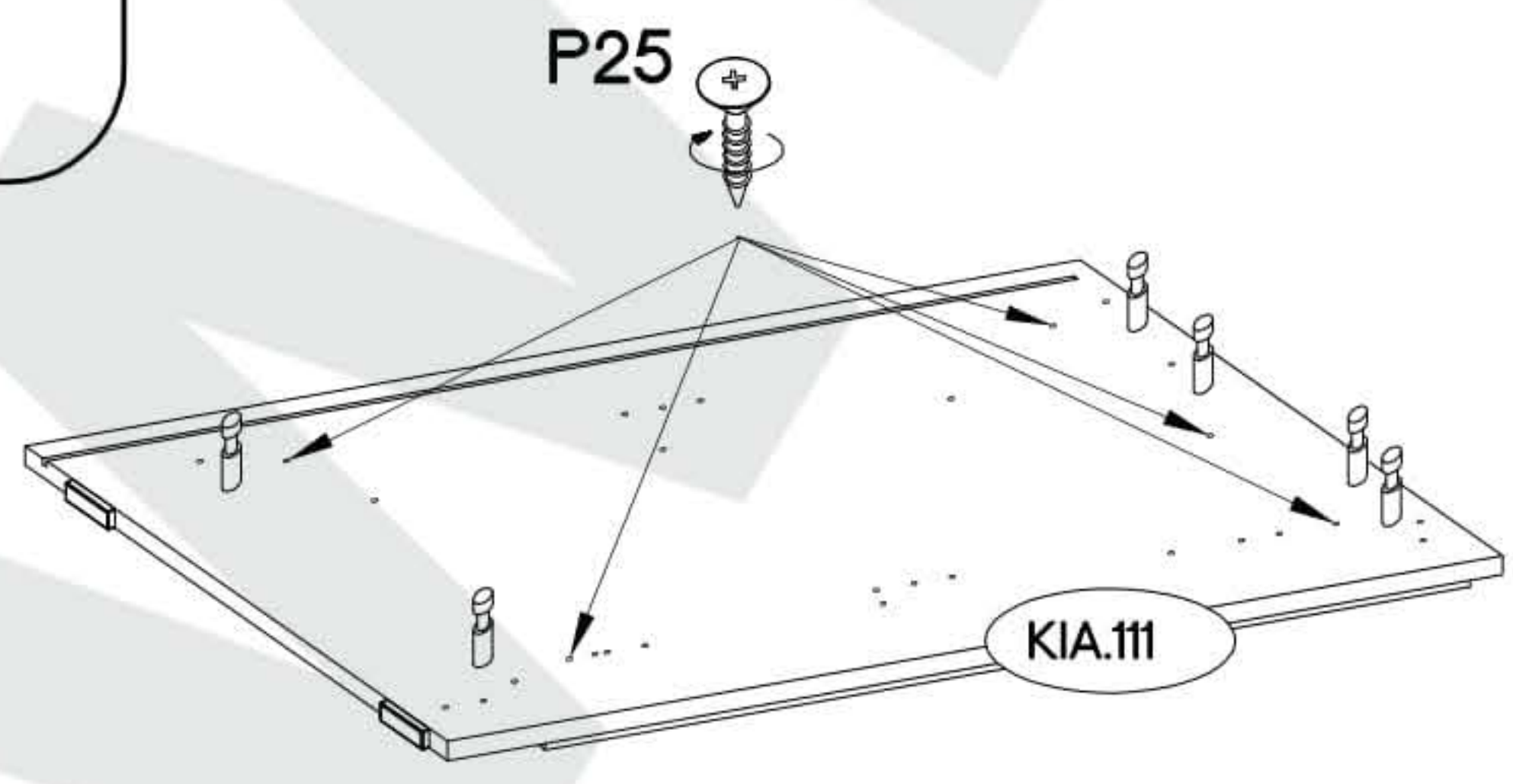
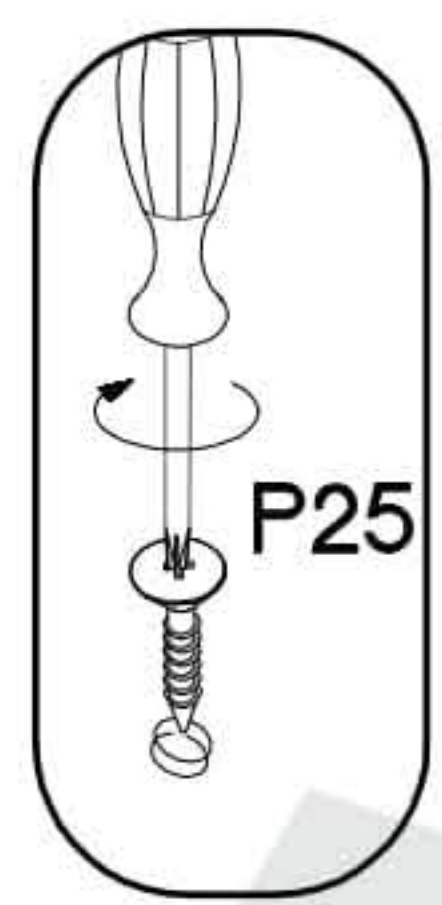
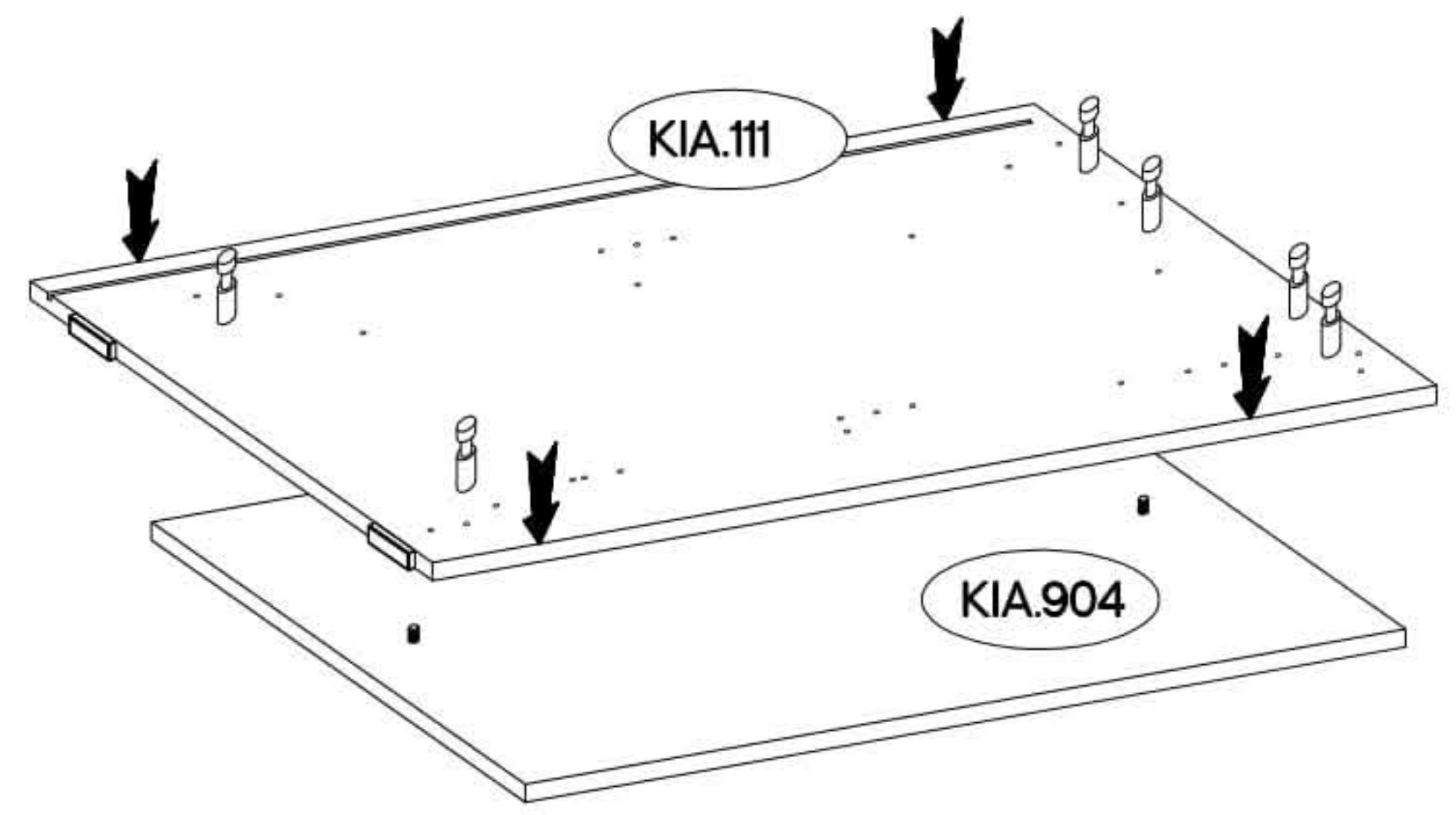
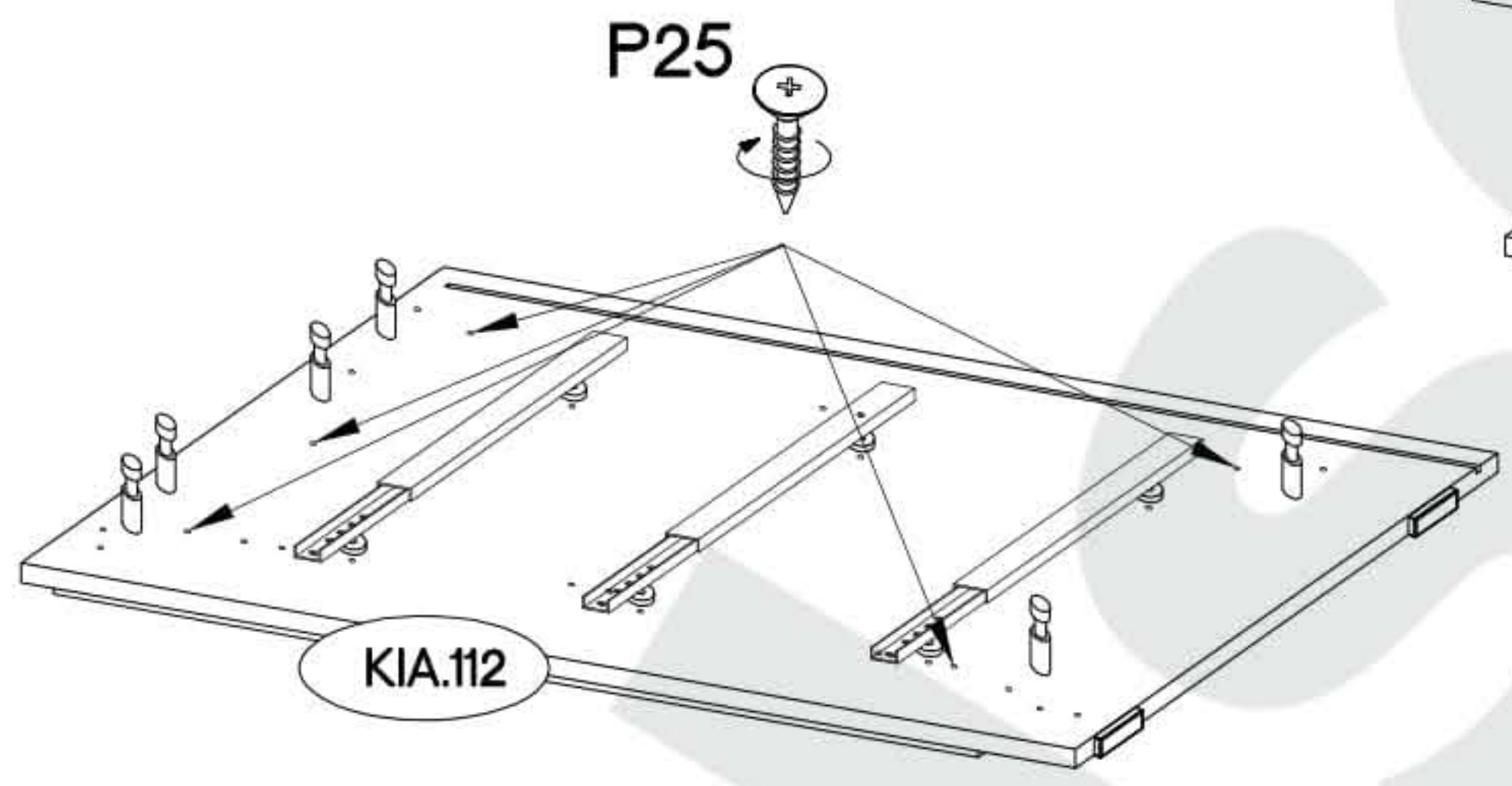
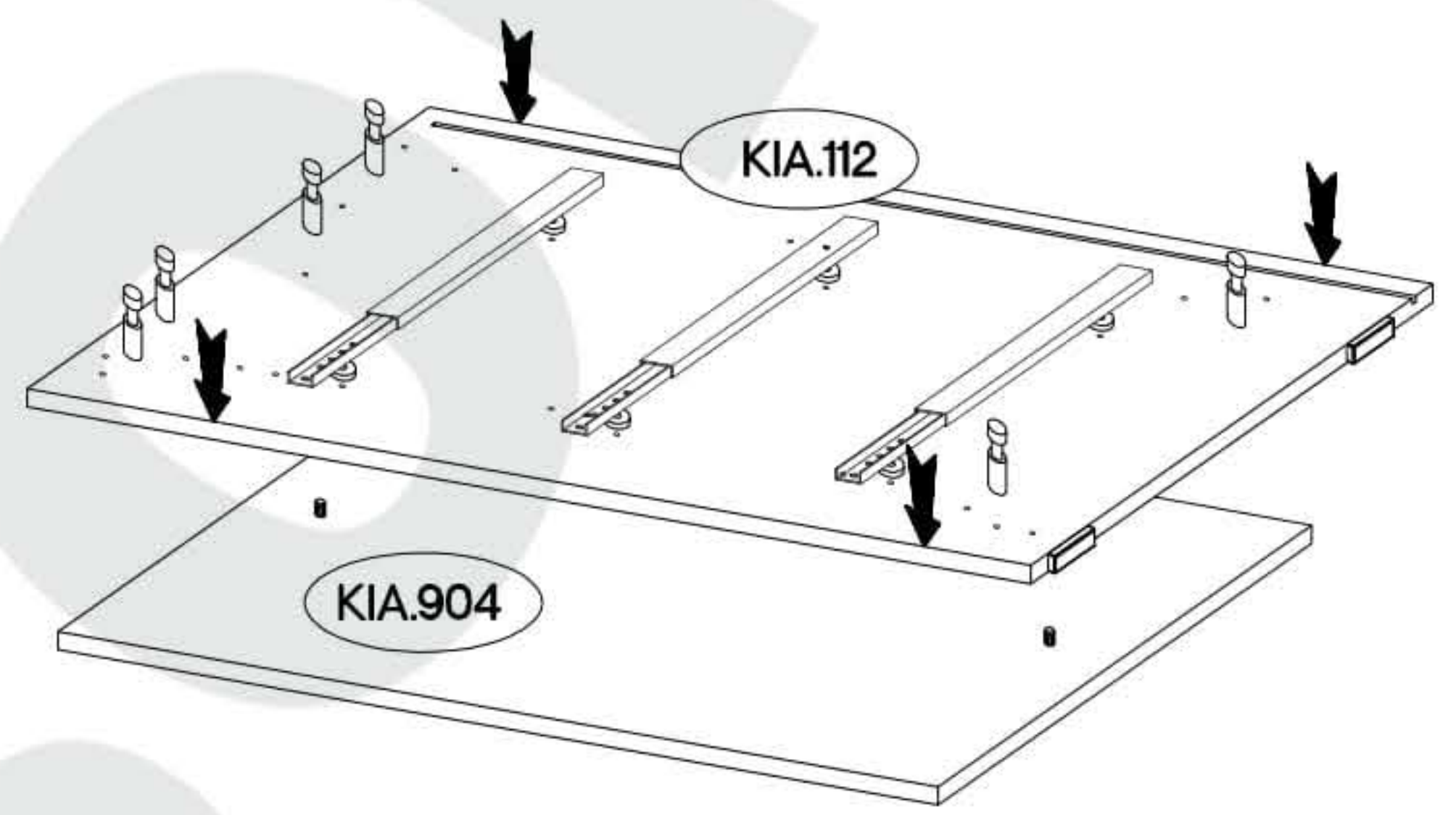
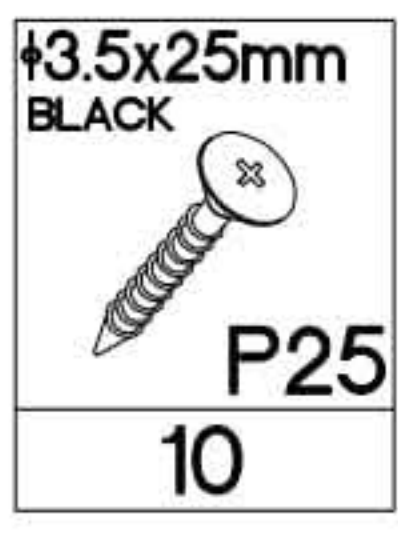
$\varnothing 8 \times 30 \text{mm}$  A 16	L=20mm  D2 2	$\varnothing 15 / 12 \text{mm}$  C 12	 T3 1	$\varnothing 4.0 \times 16 \text{mm}$  P1 1	$\varnothing 15 \times 5 \text{mm}$  F4 1
---	--	---	--	--	---

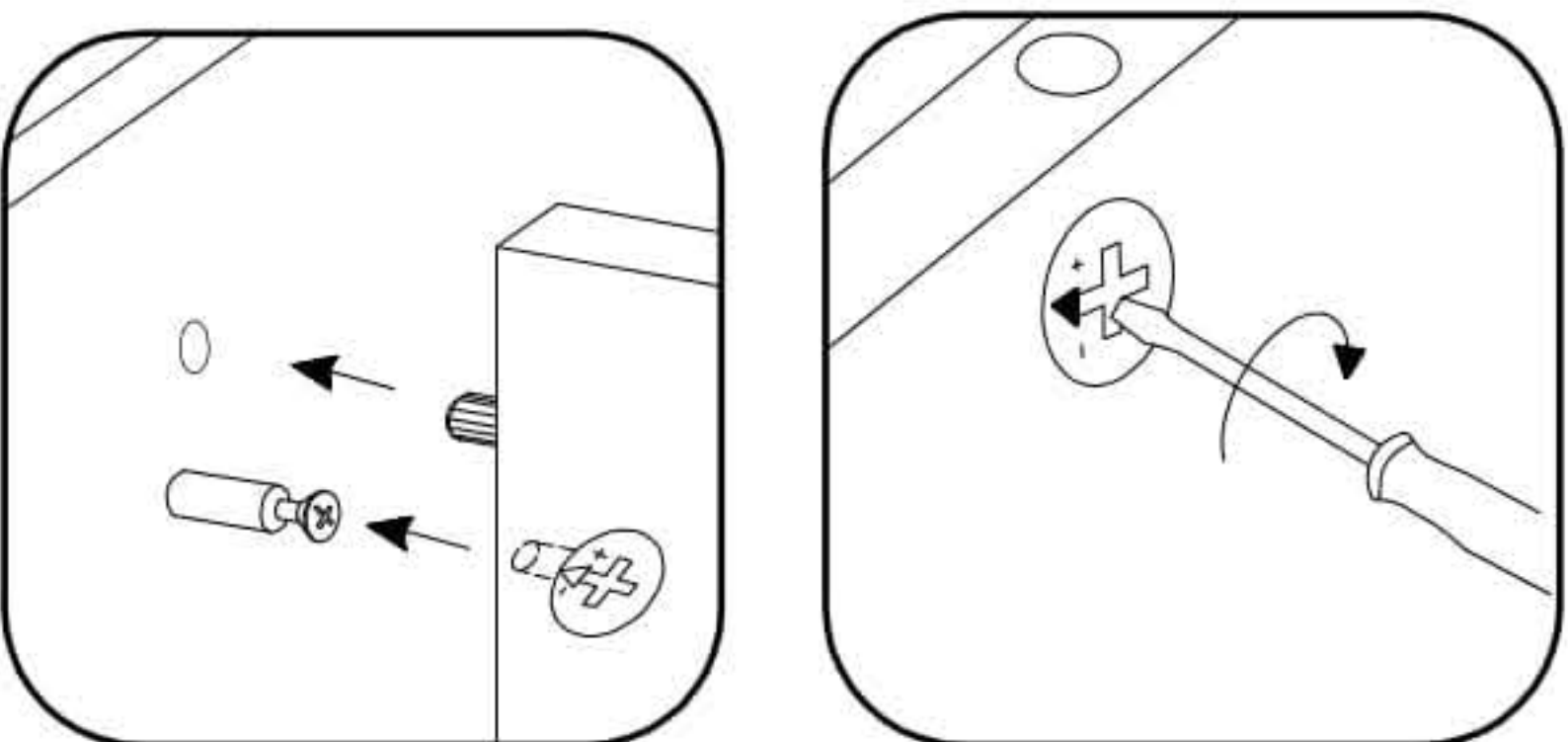
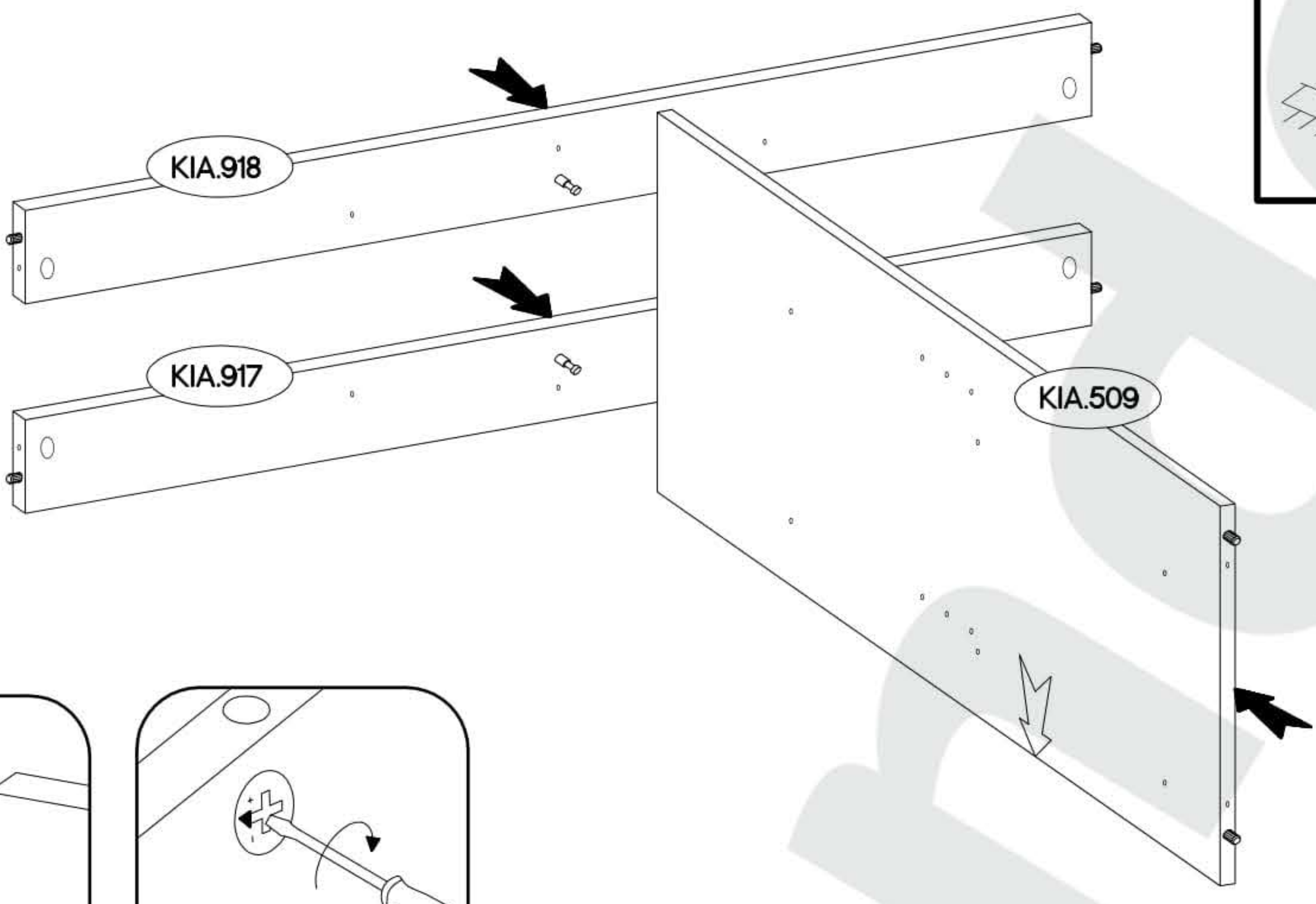
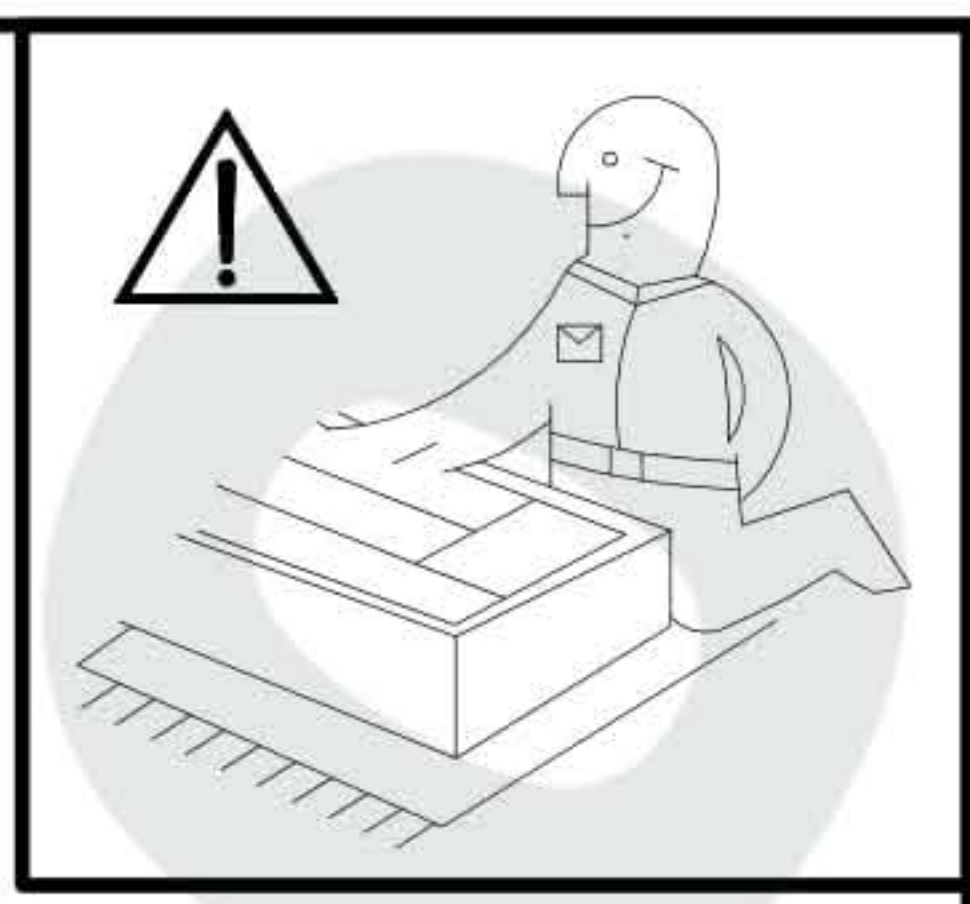




24

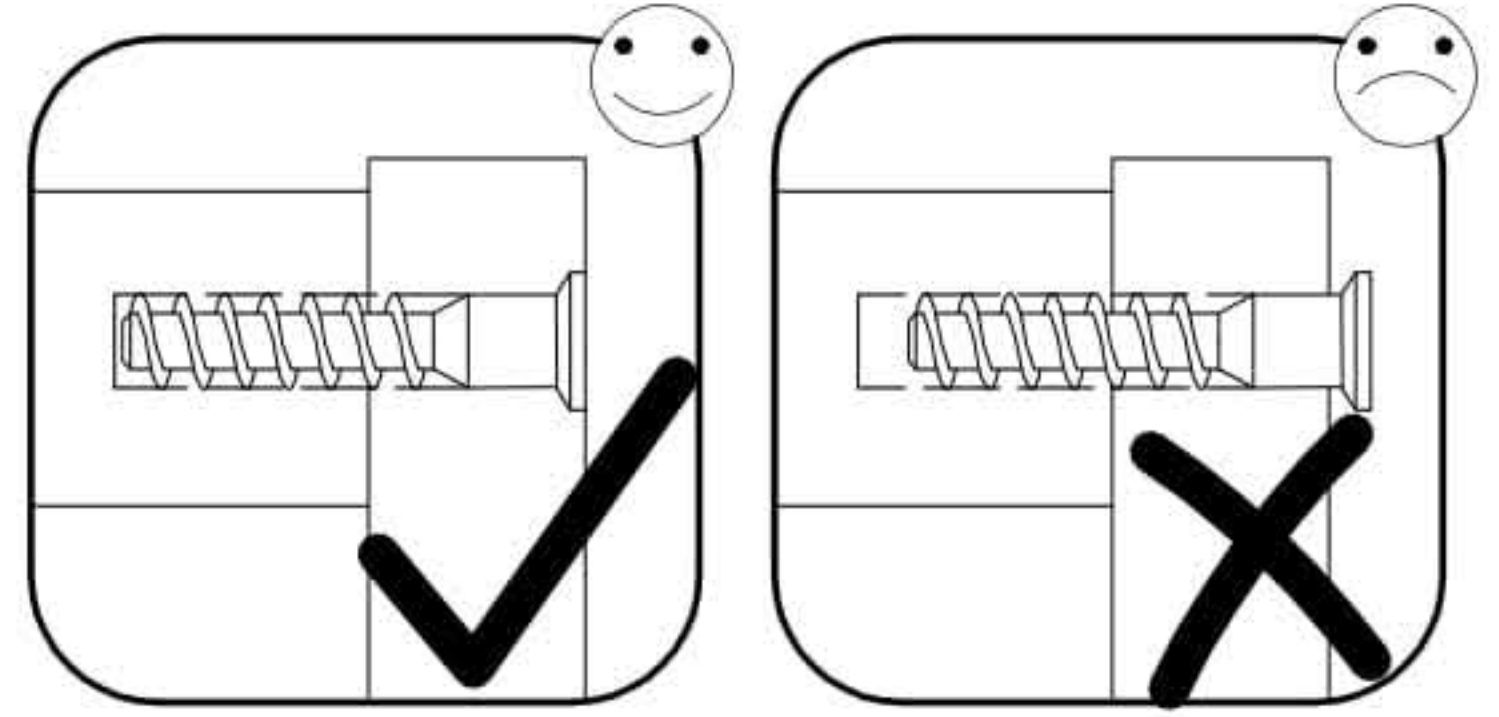
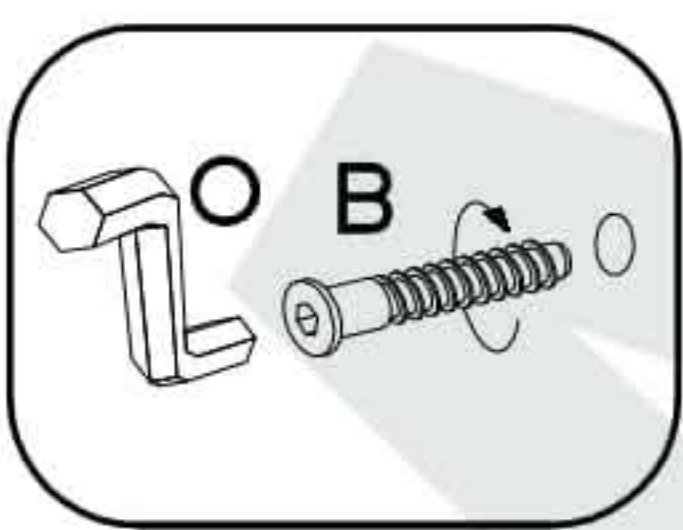
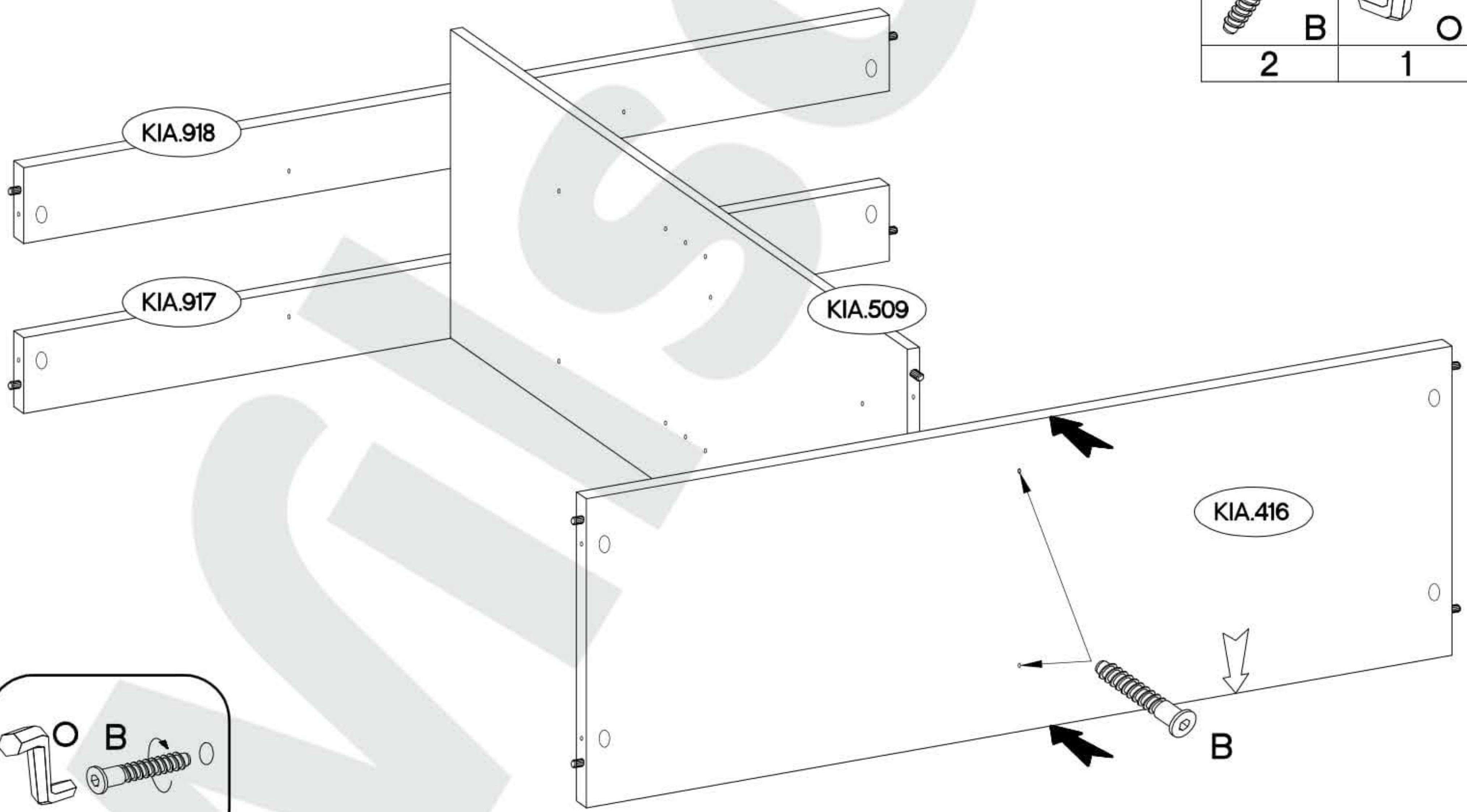


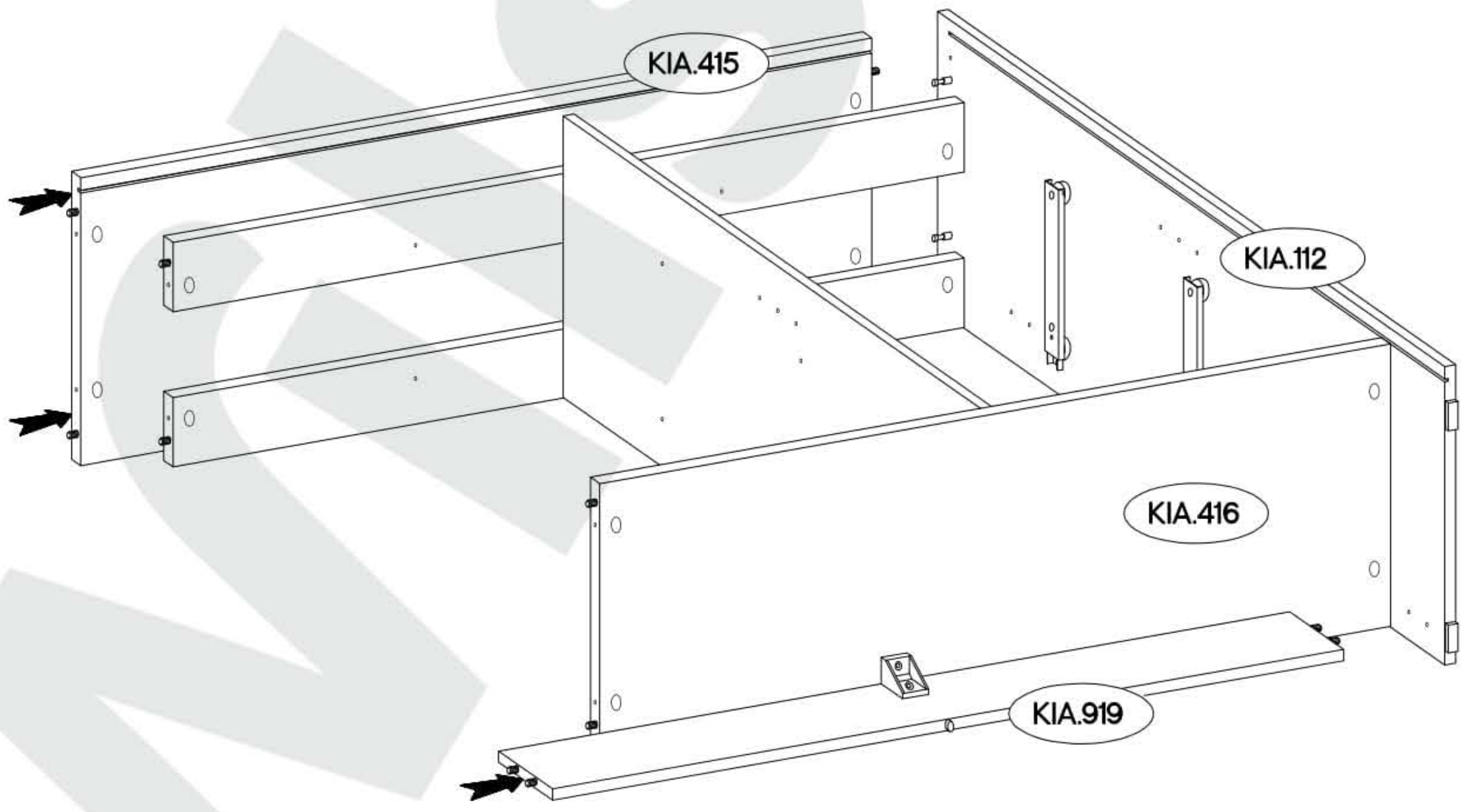
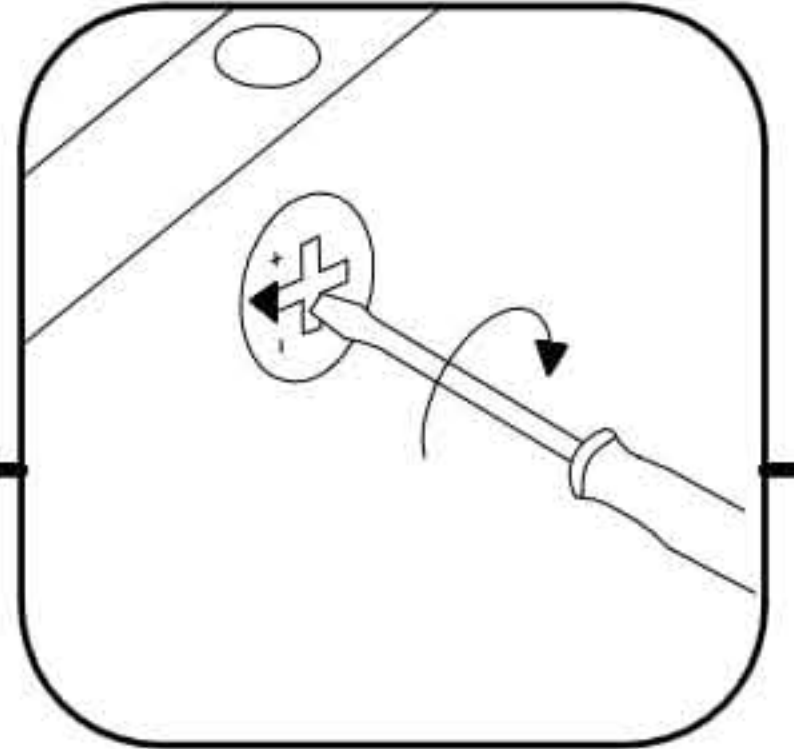
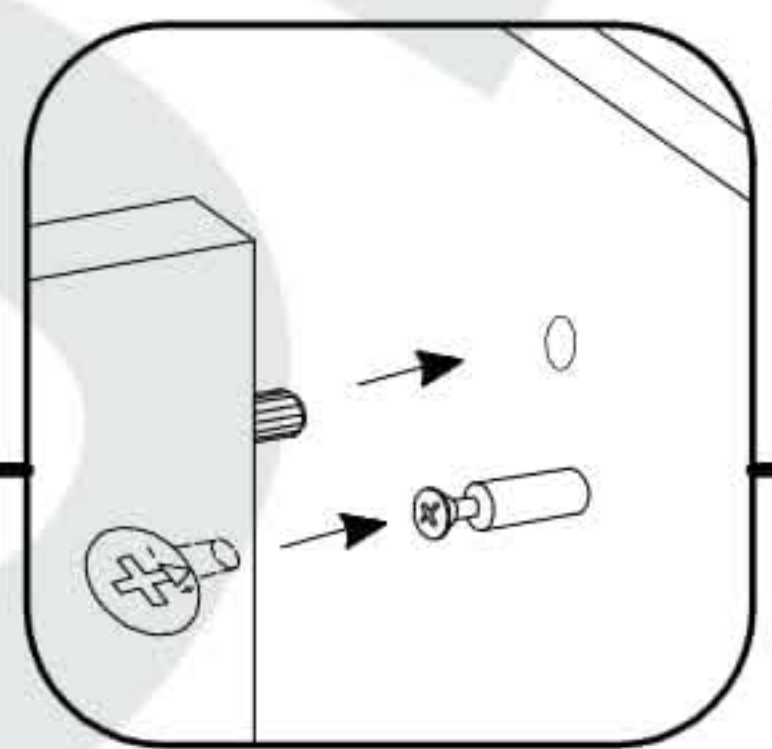
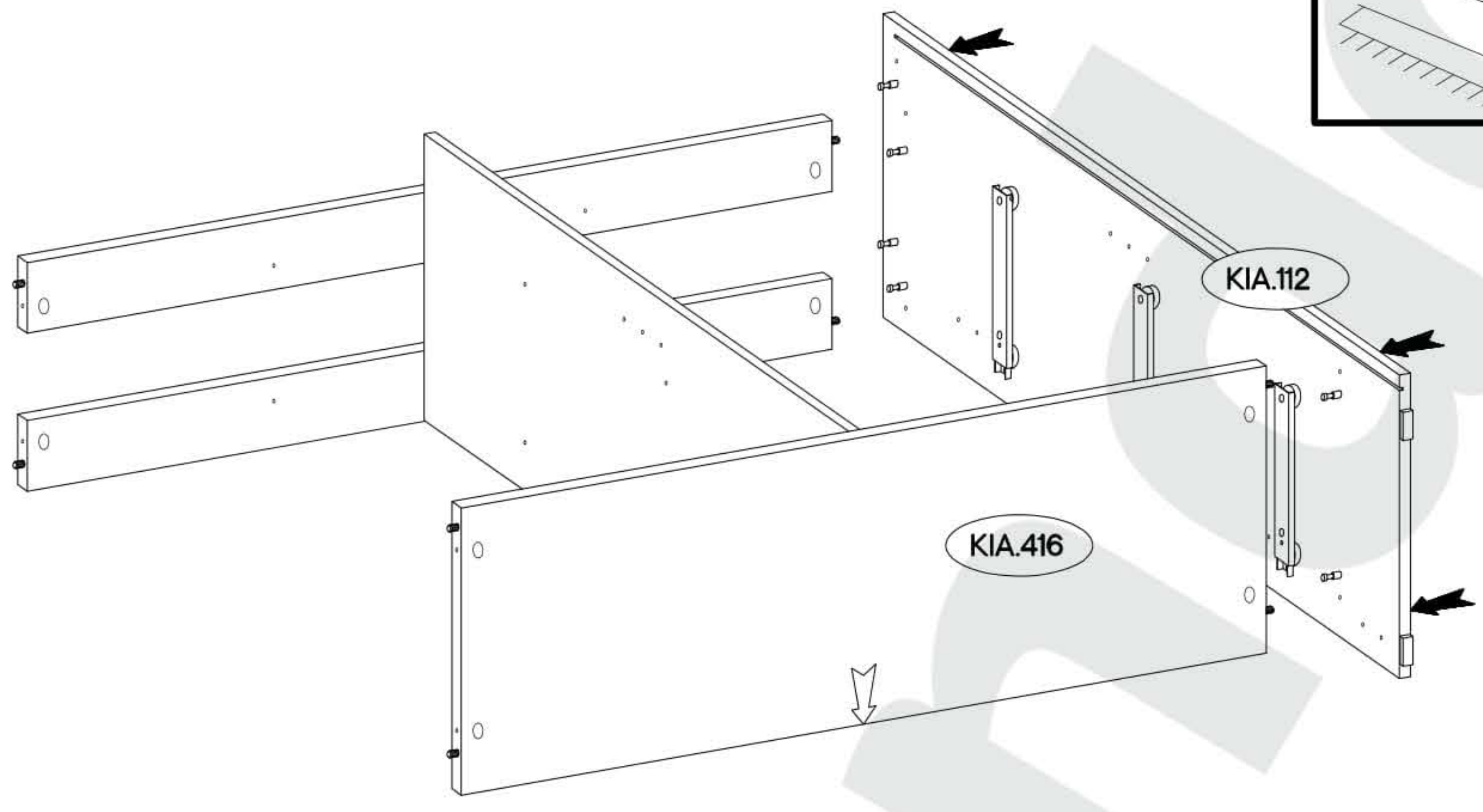
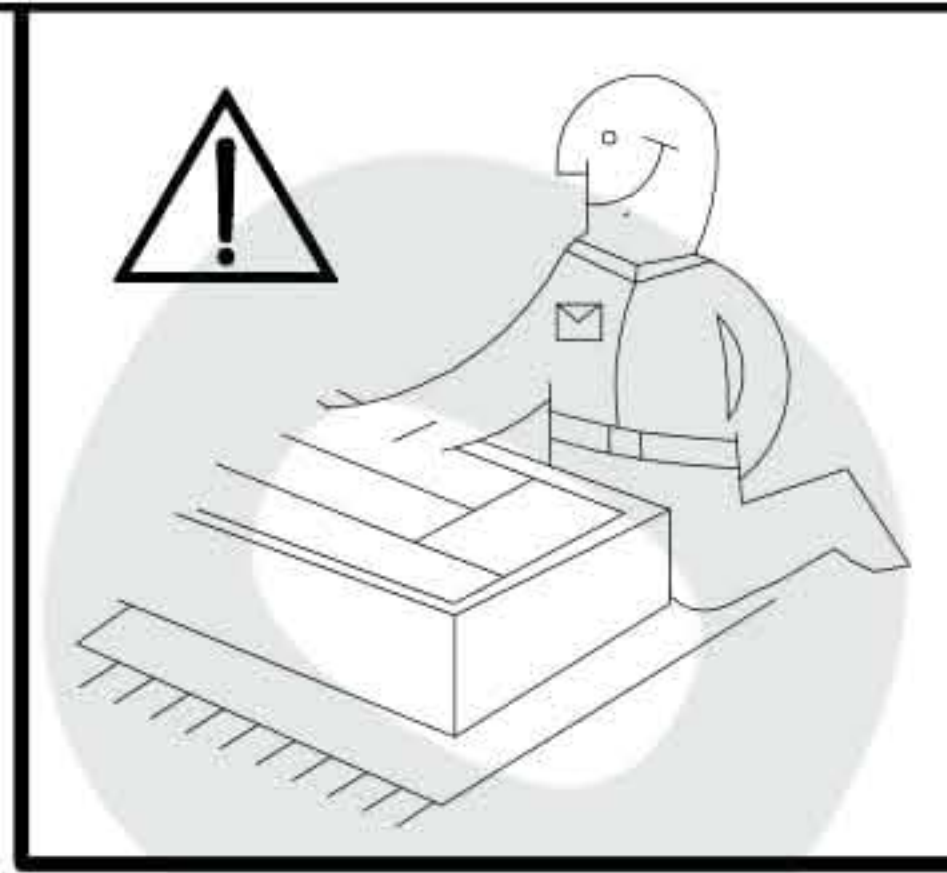
25



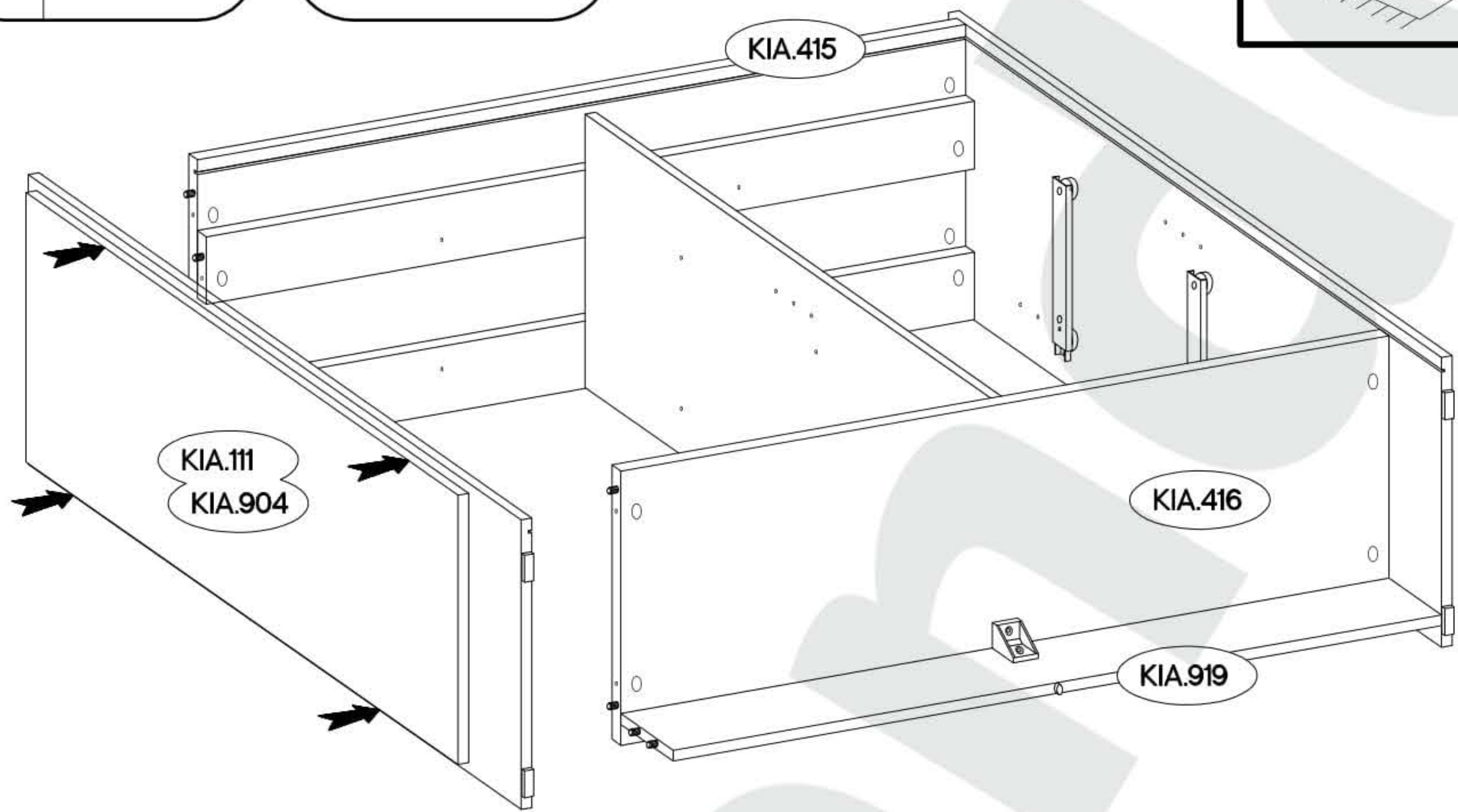
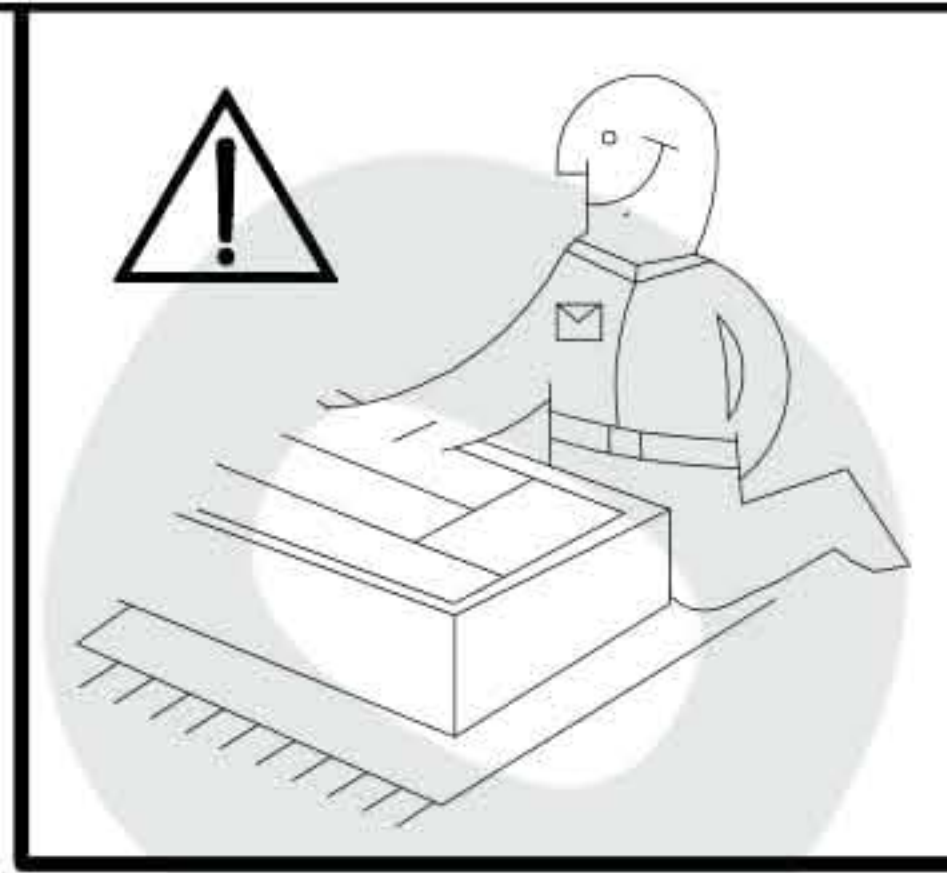
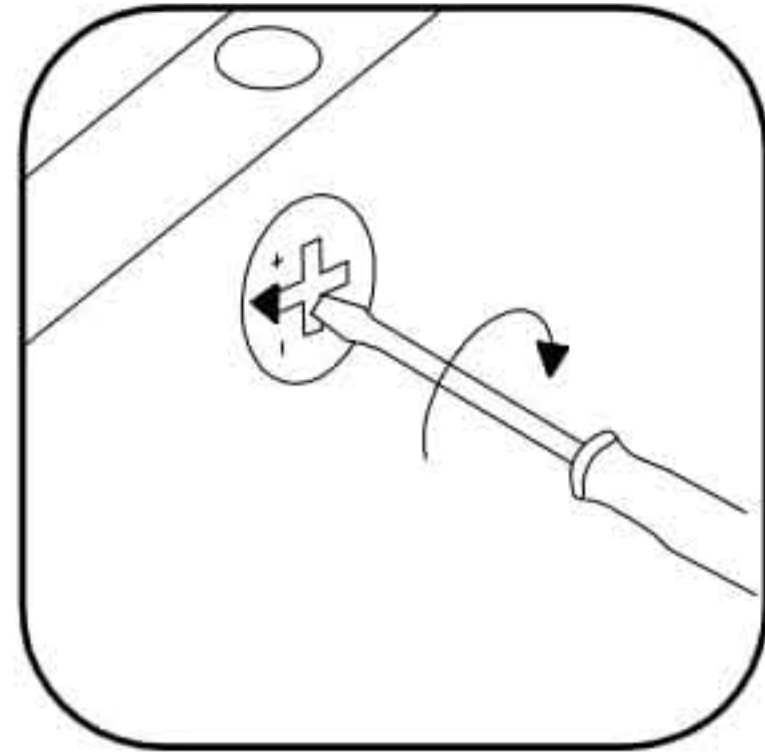
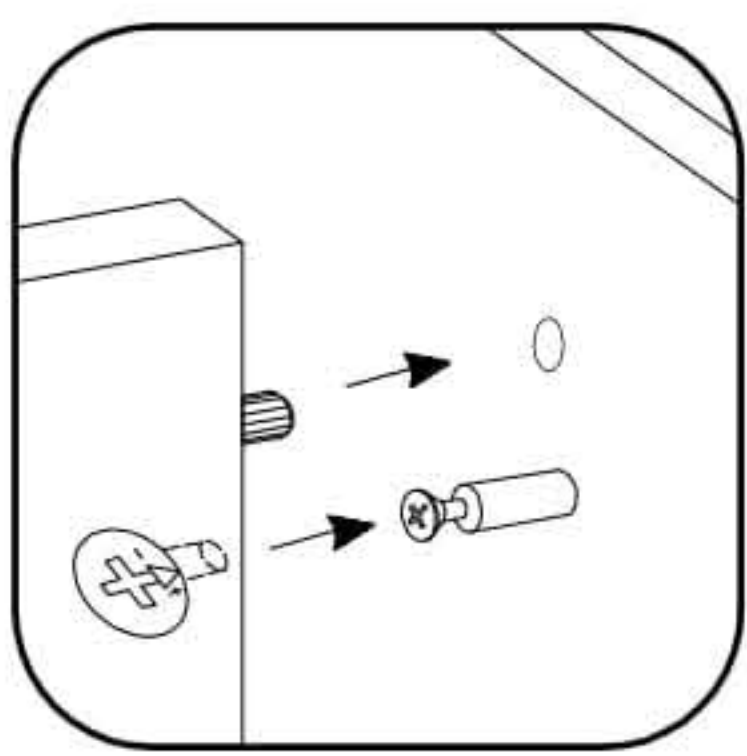


6,4 x 50mm	
	
B	O
2	1





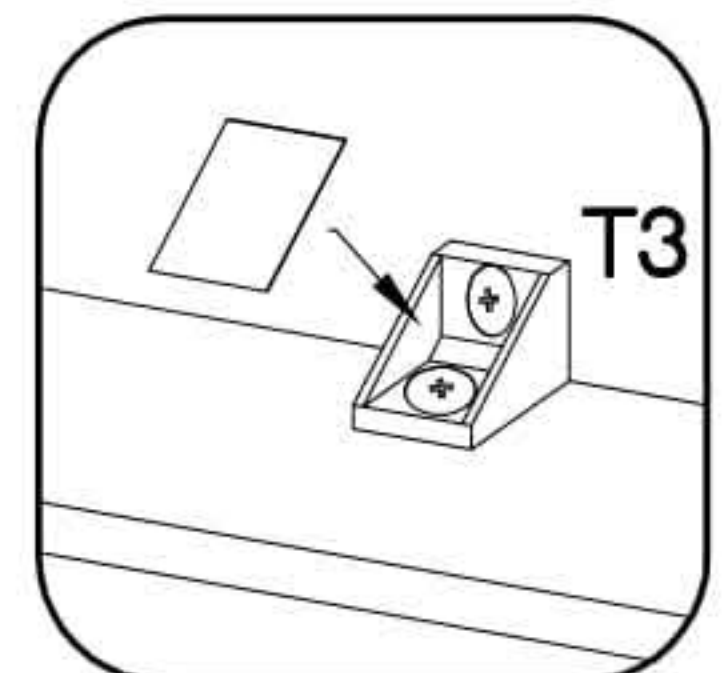
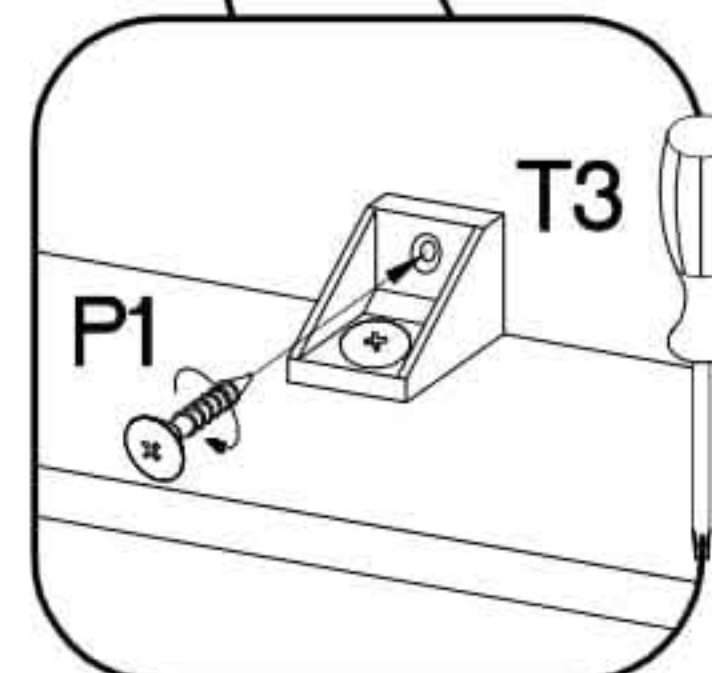
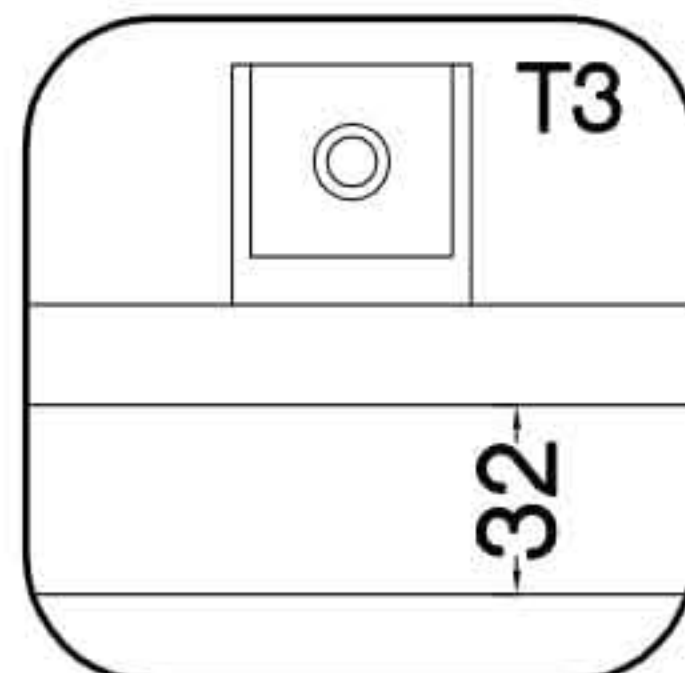
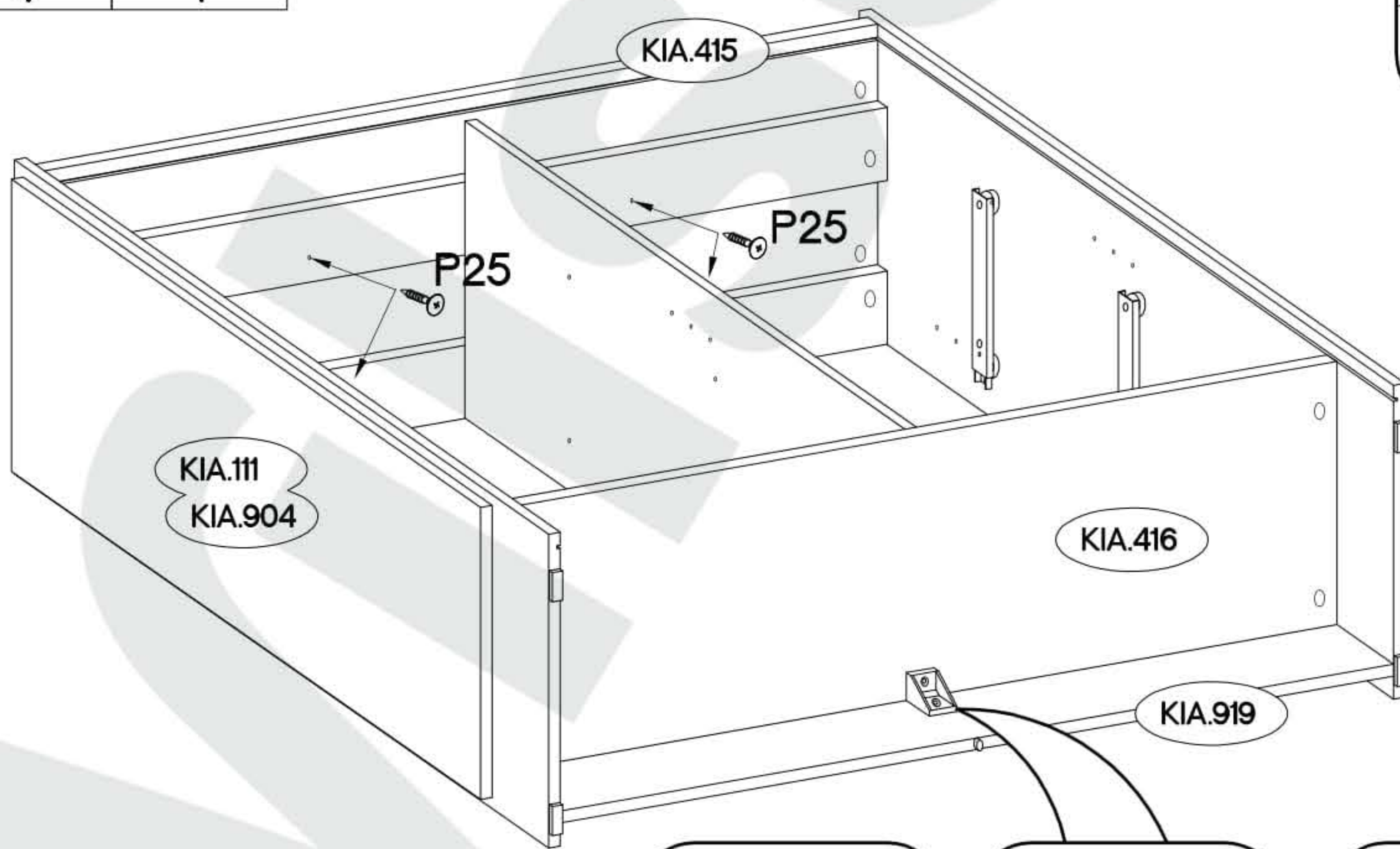
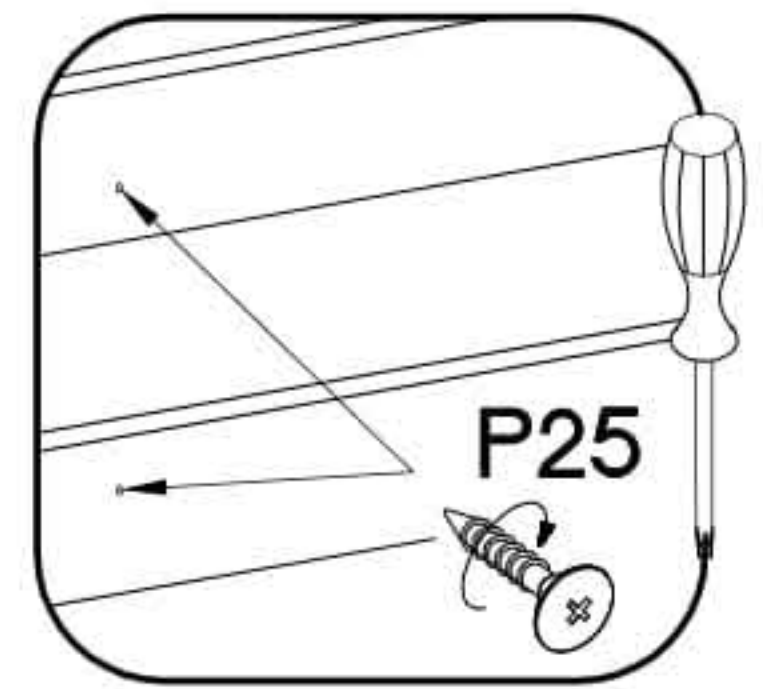


30



31

+3.5x25mm BLACK  P25 4	+4.0x16mm  P1 1
--	--

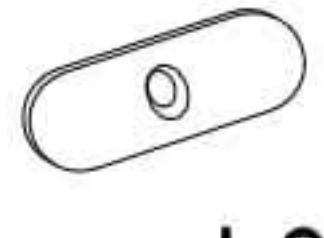


φ3.0x20mm



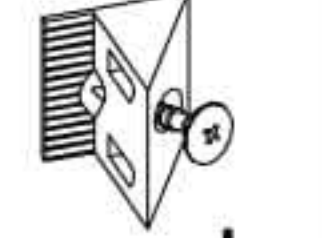
P7

13



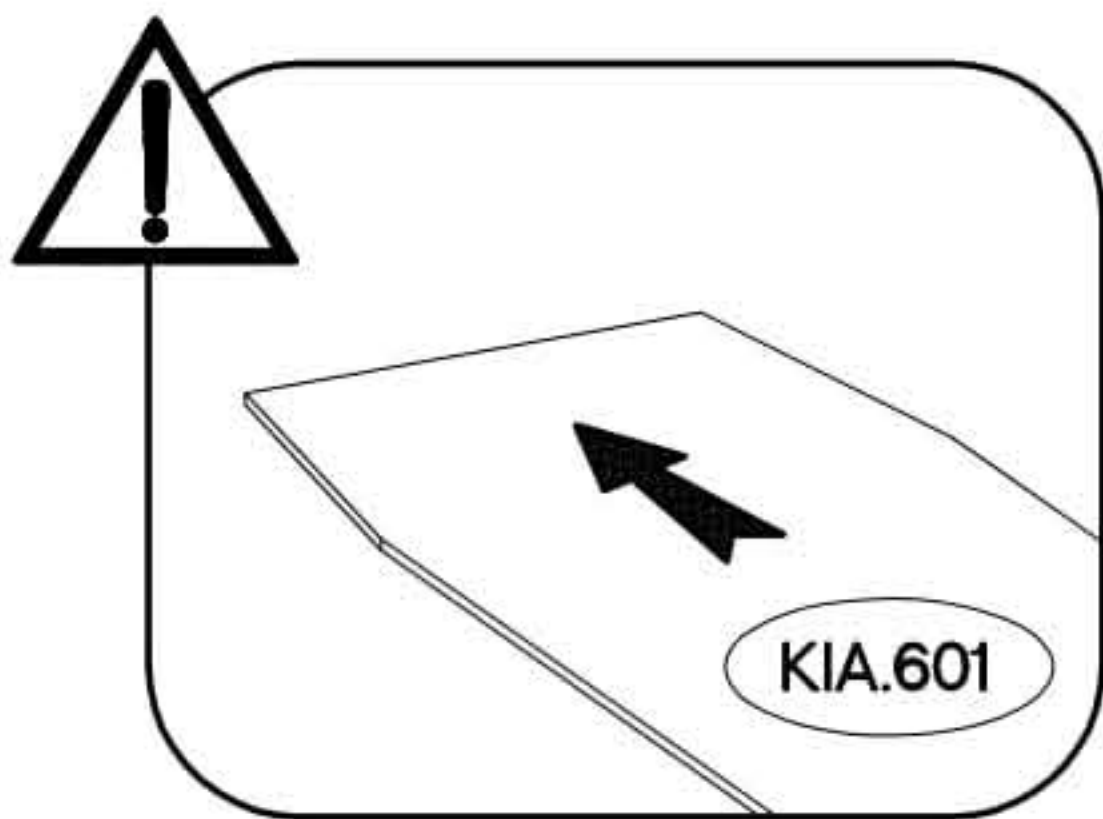
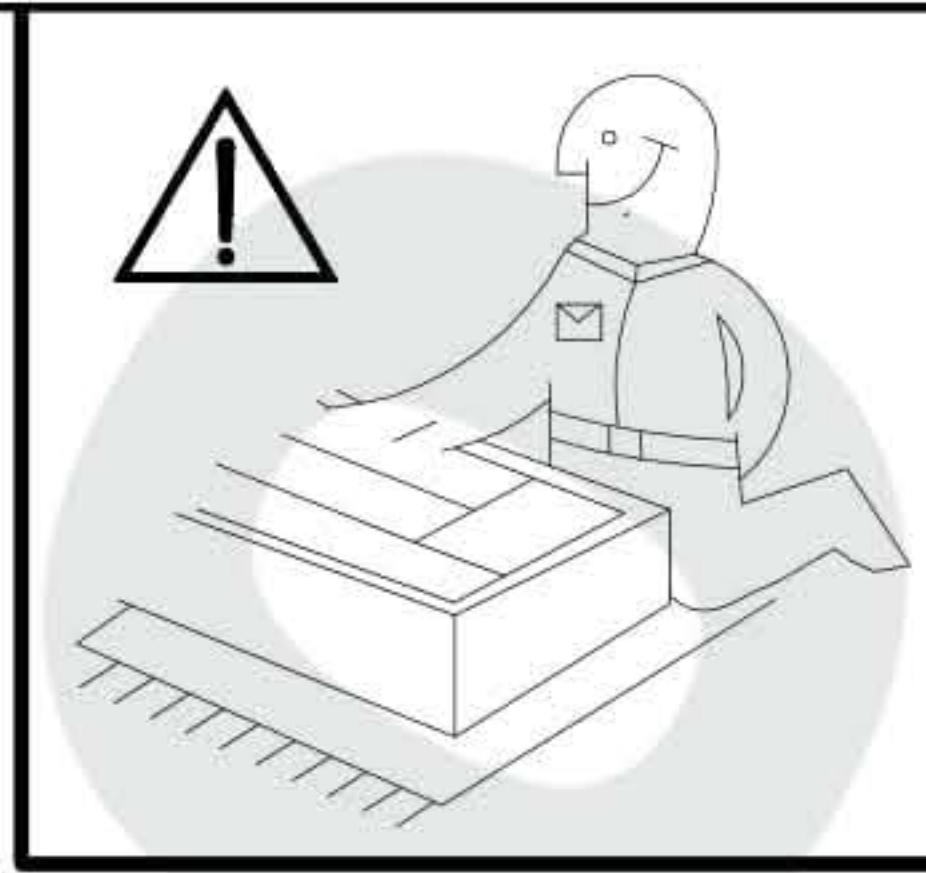
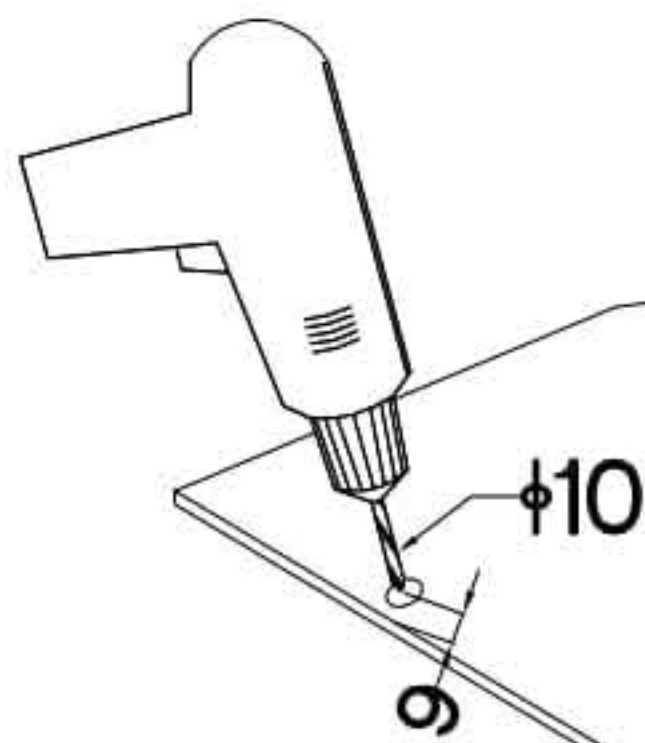
L2

5

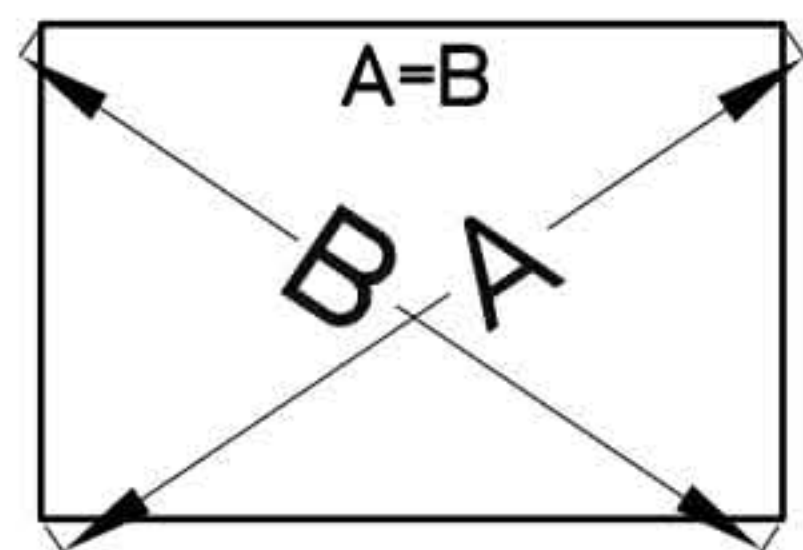
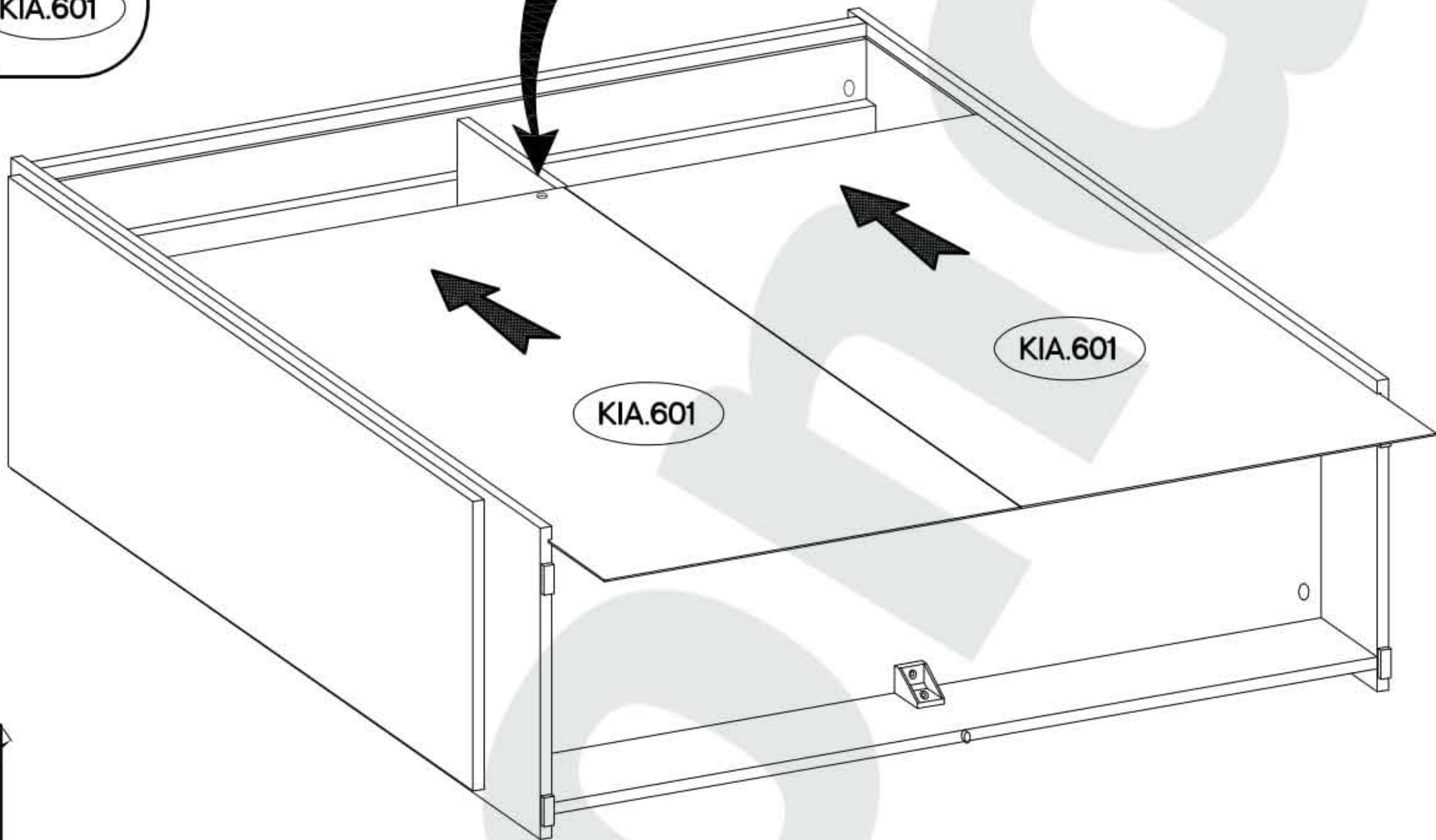


L

10

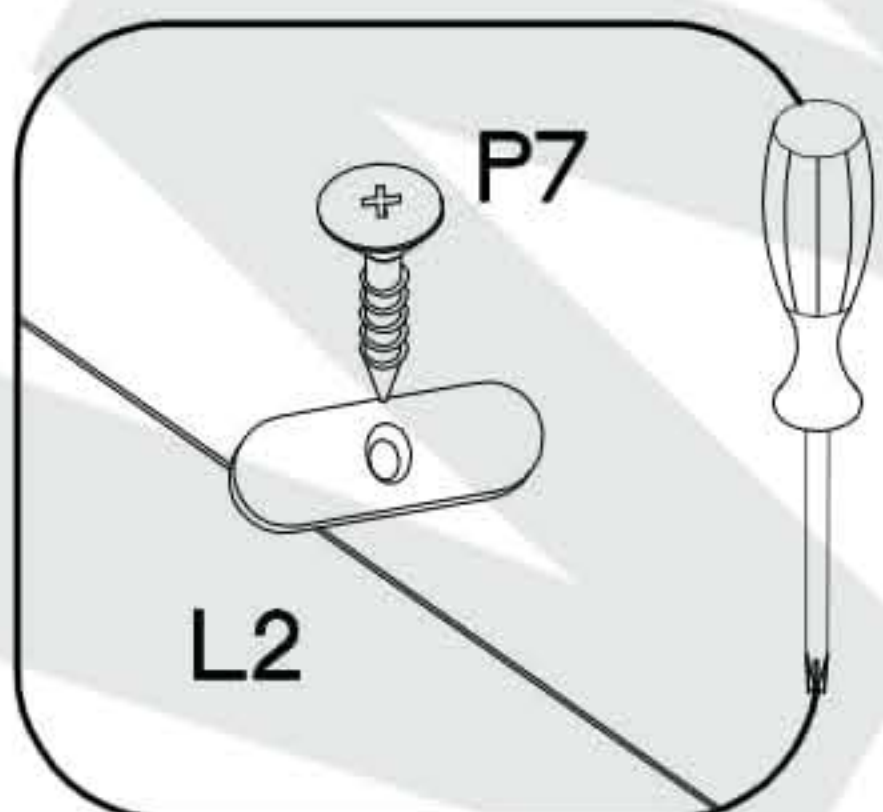
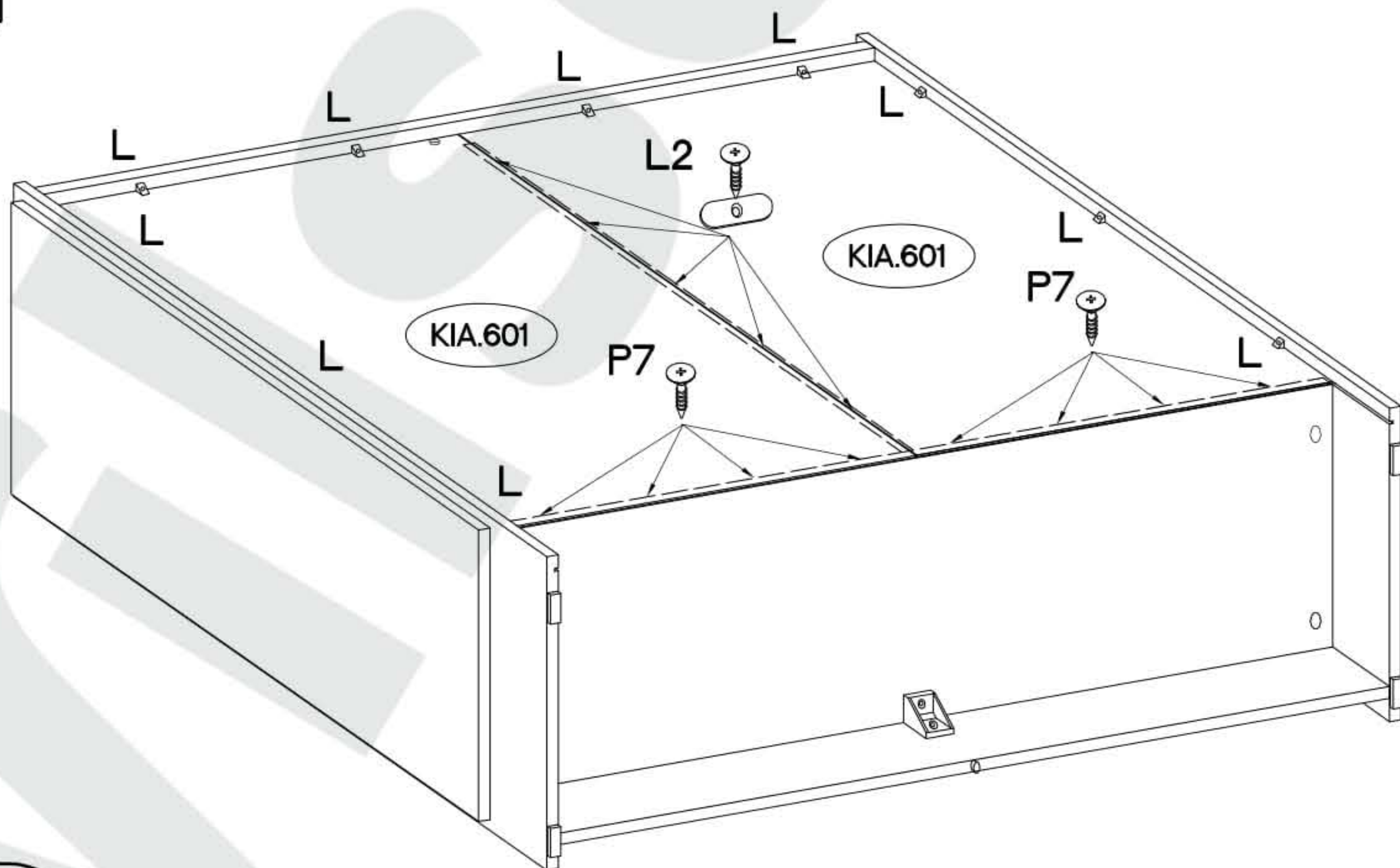


KIA.601



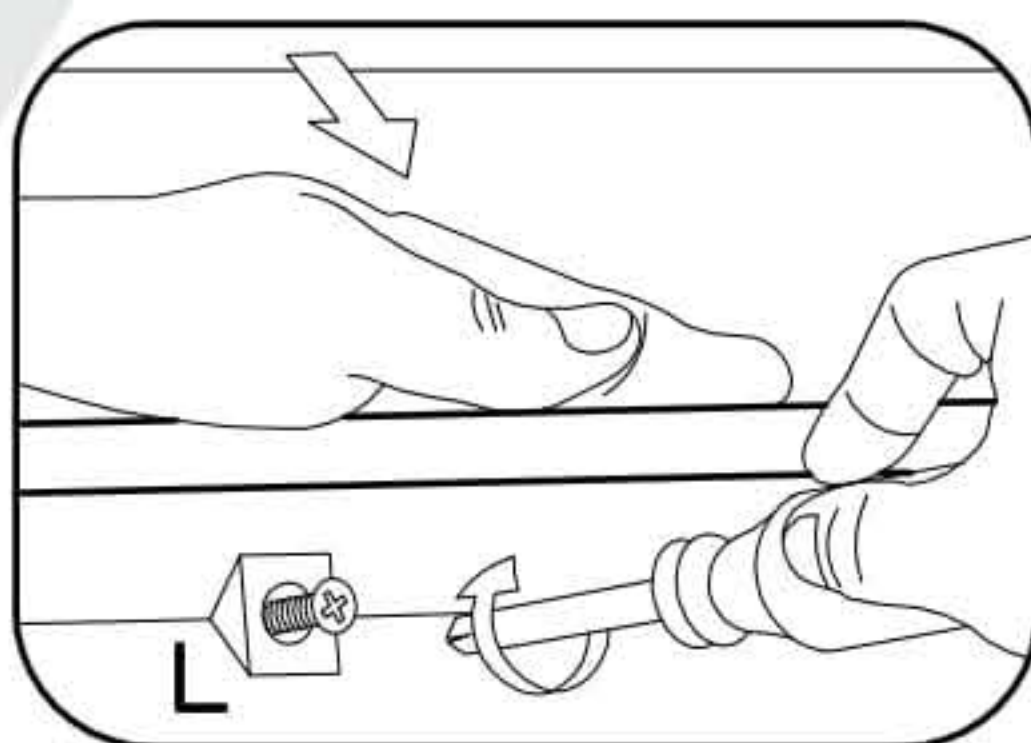
A=B

B A

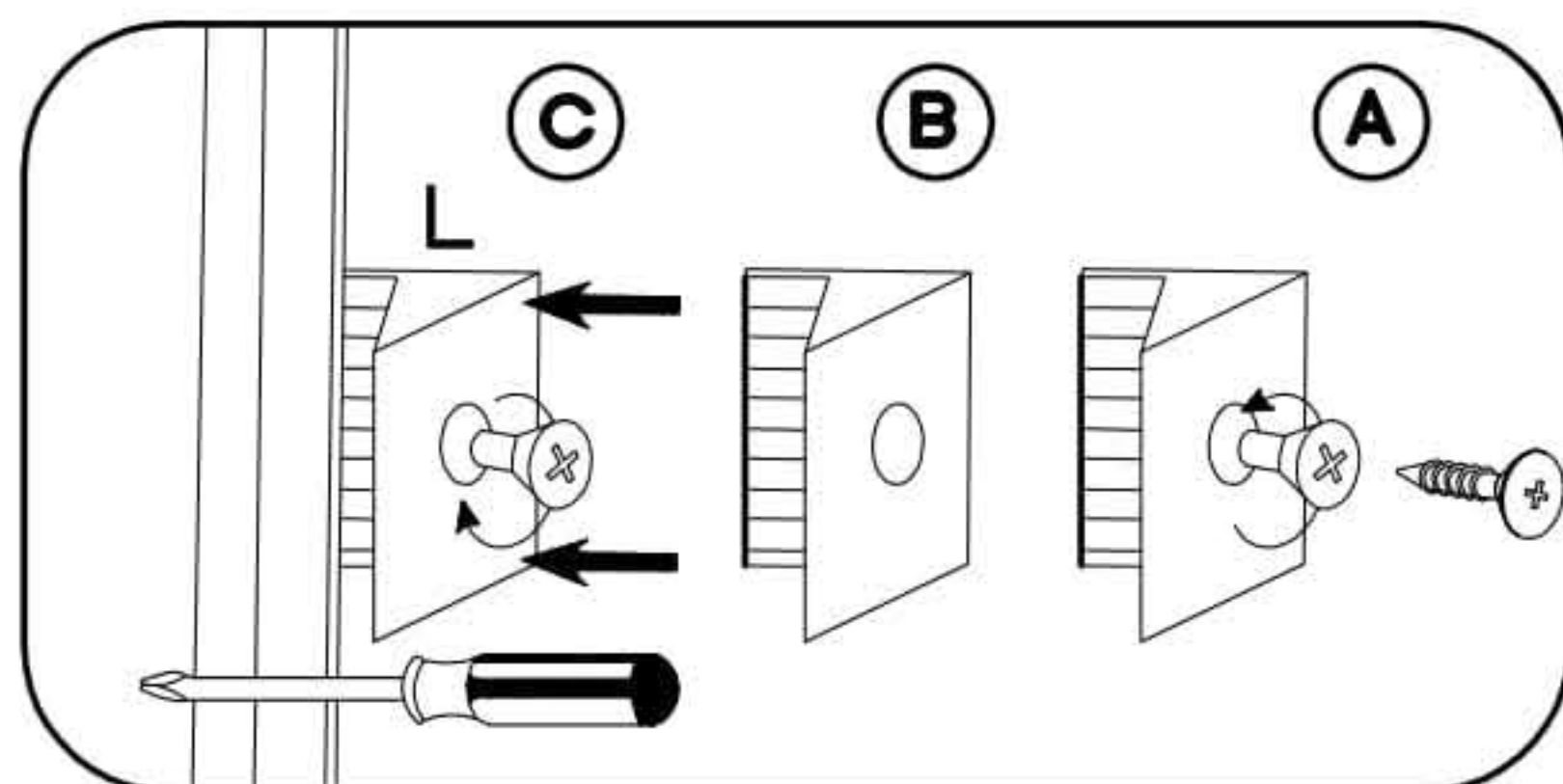


P7

L2



L



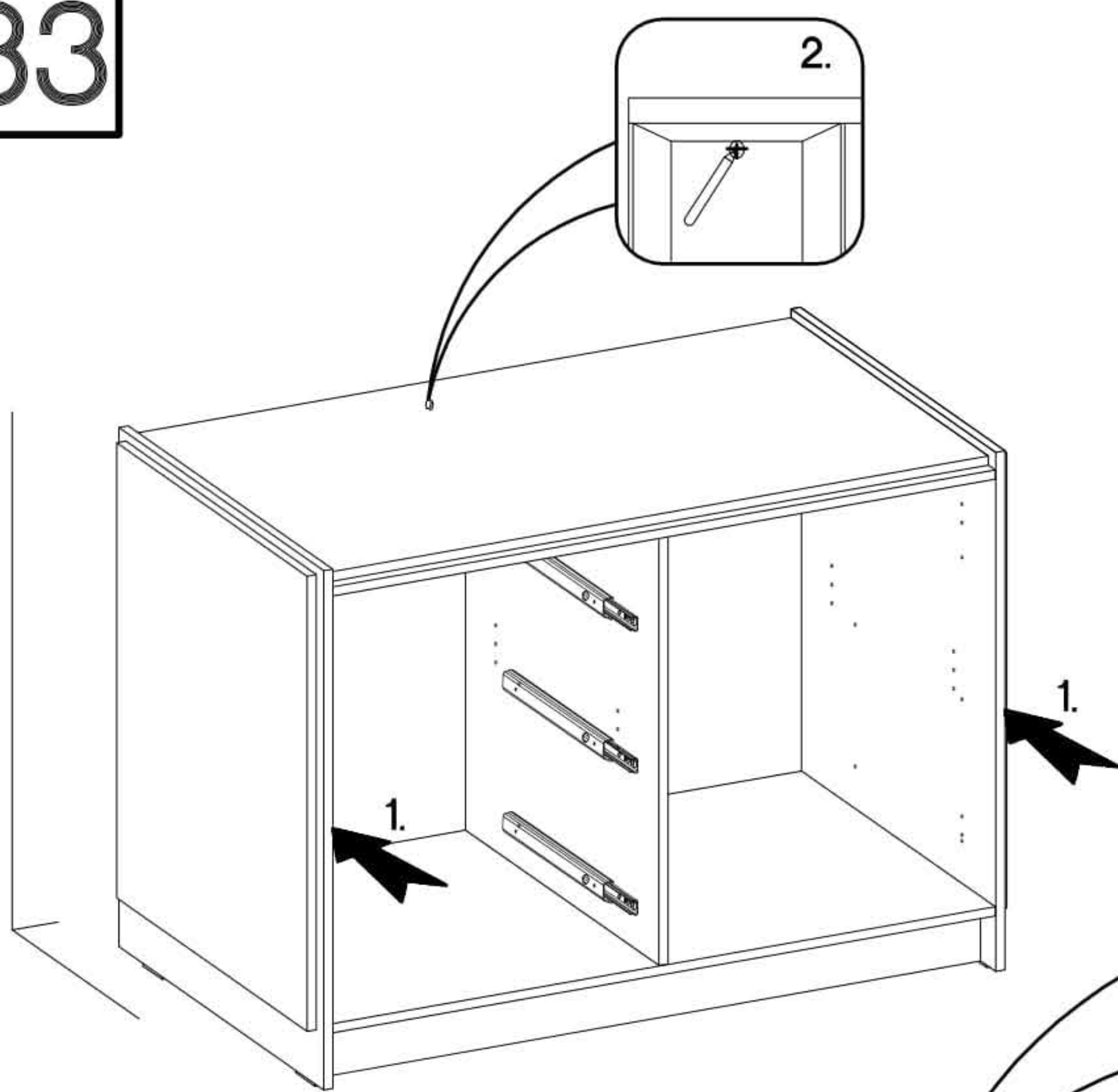
C

B

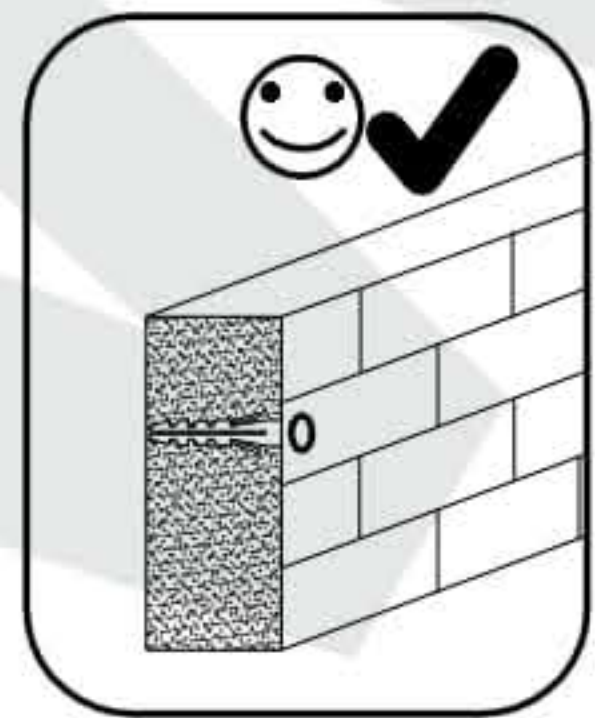
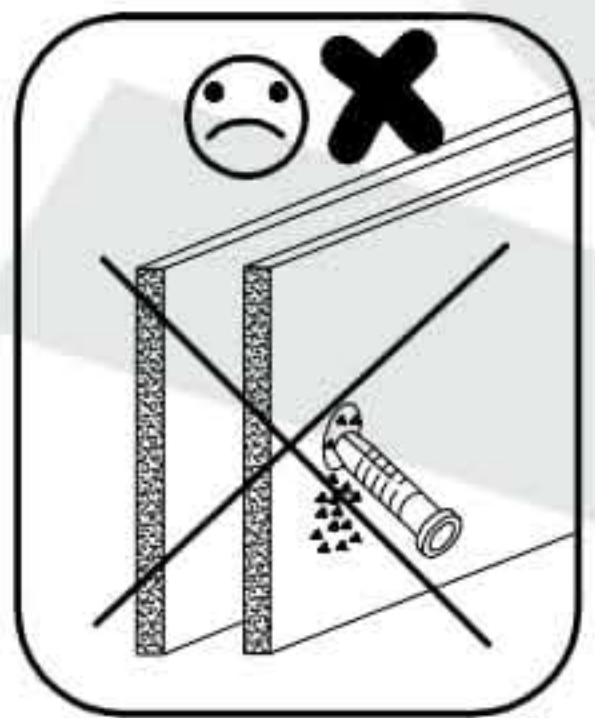
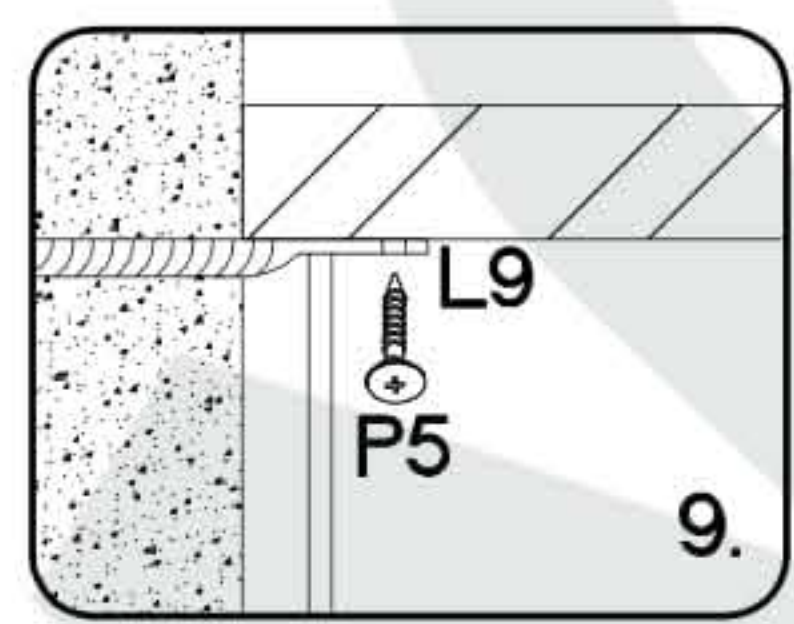
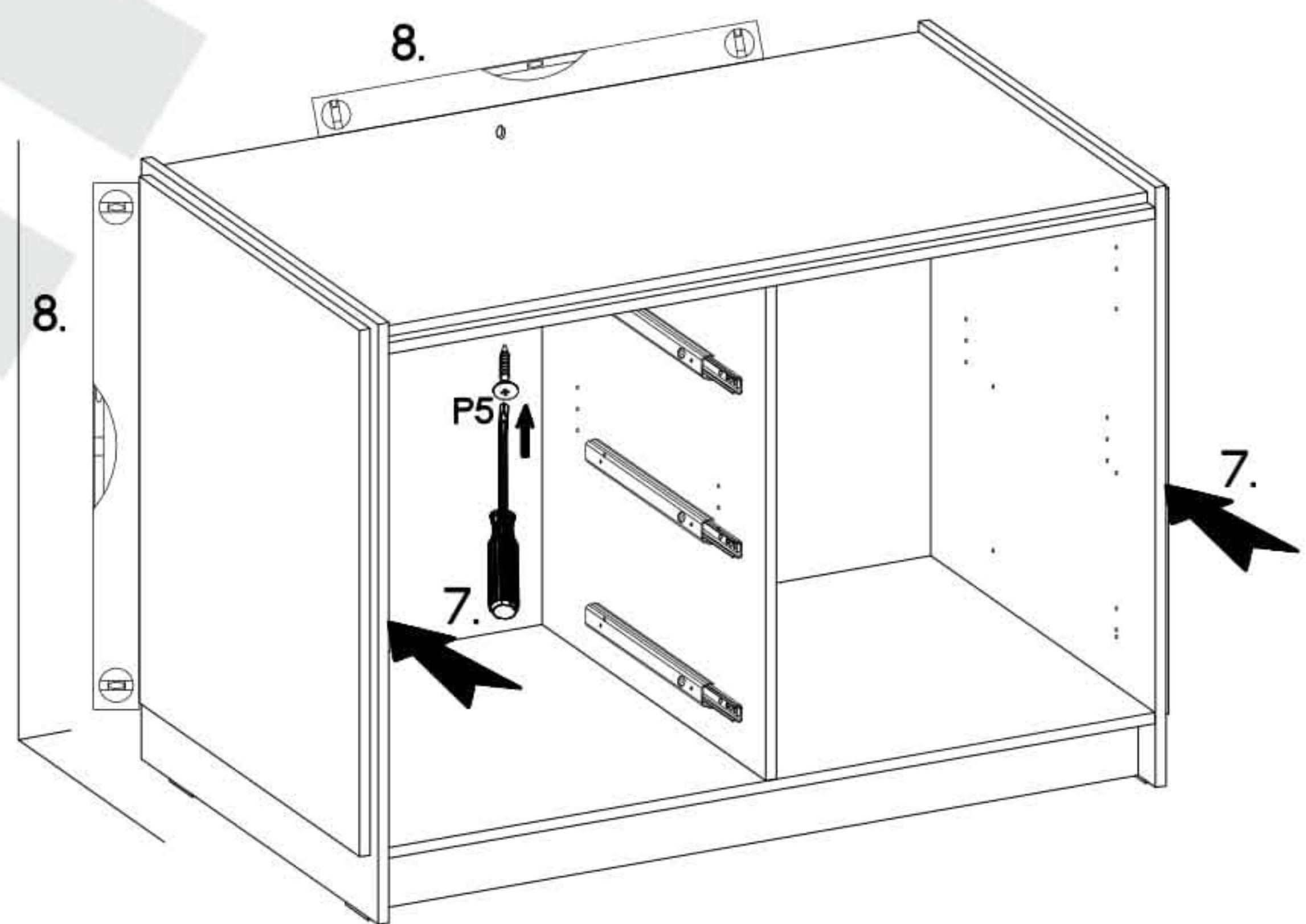
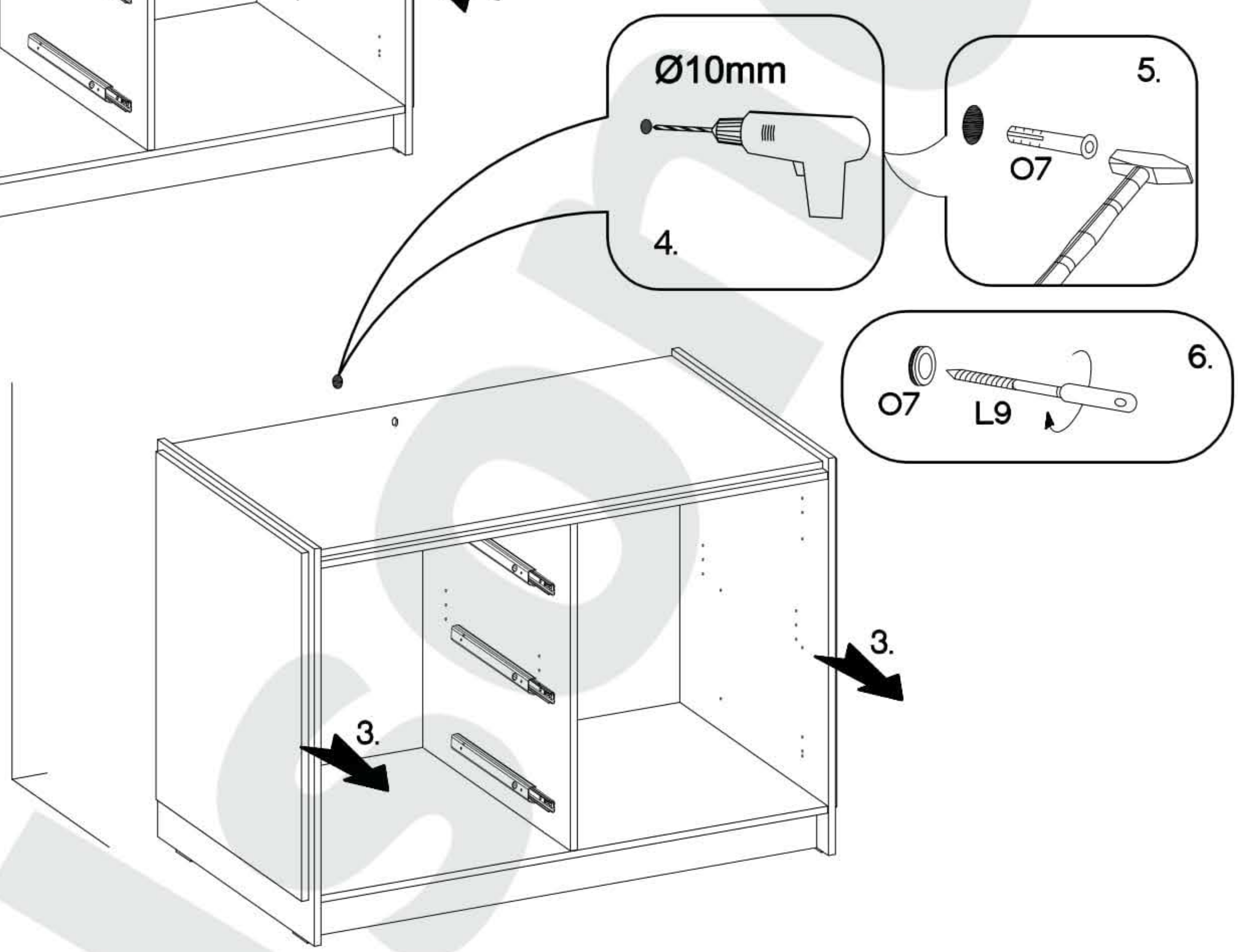
A

L

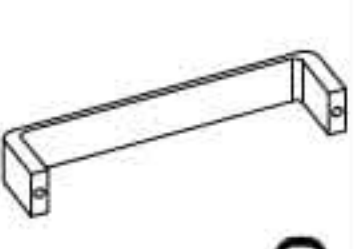


L

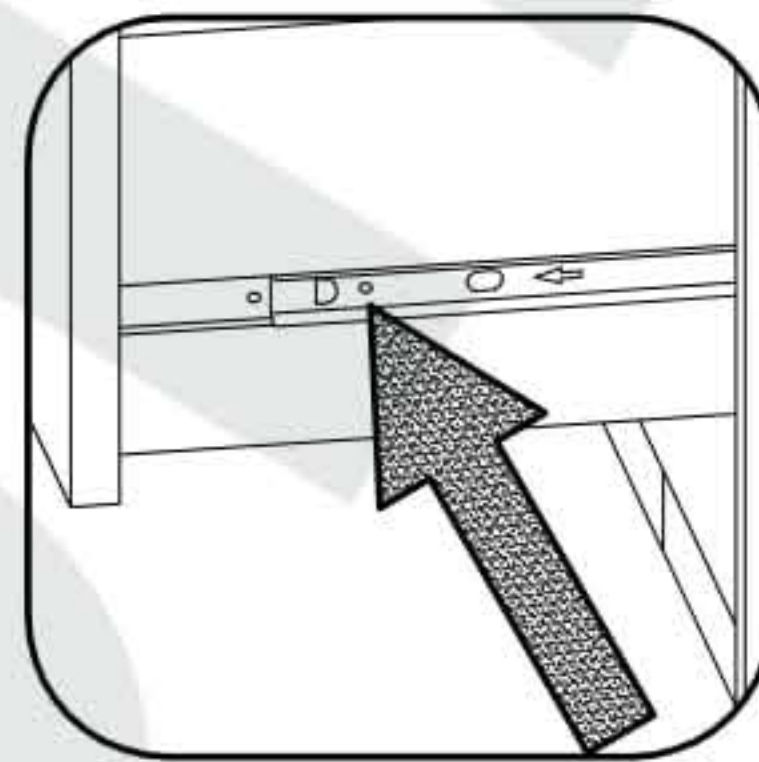
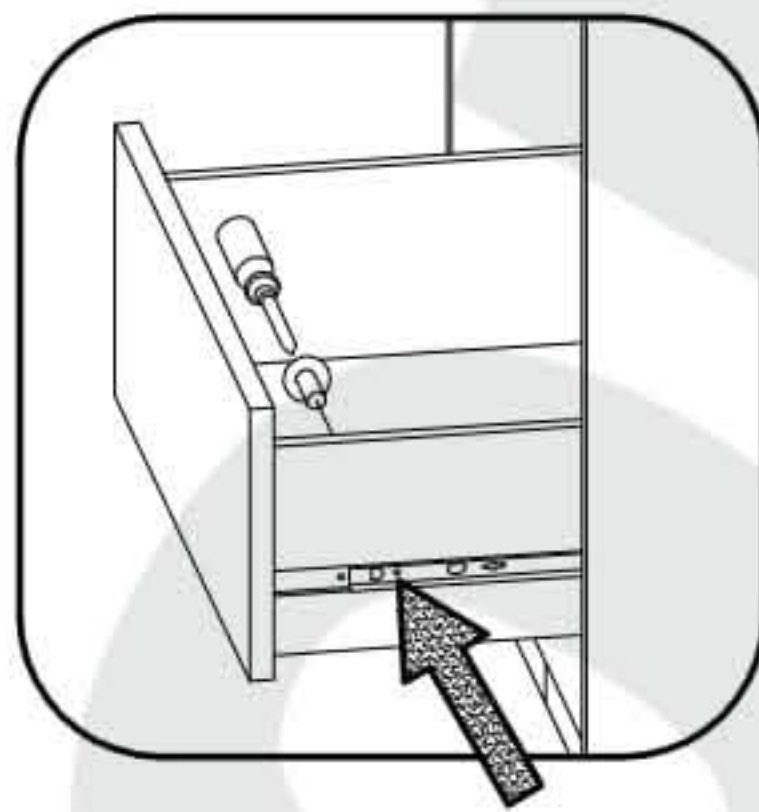
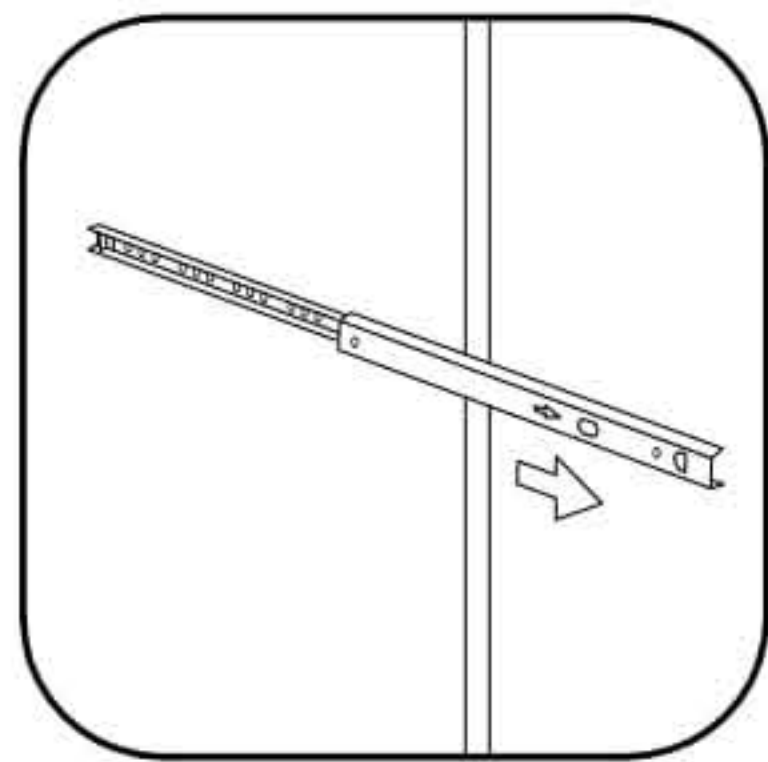
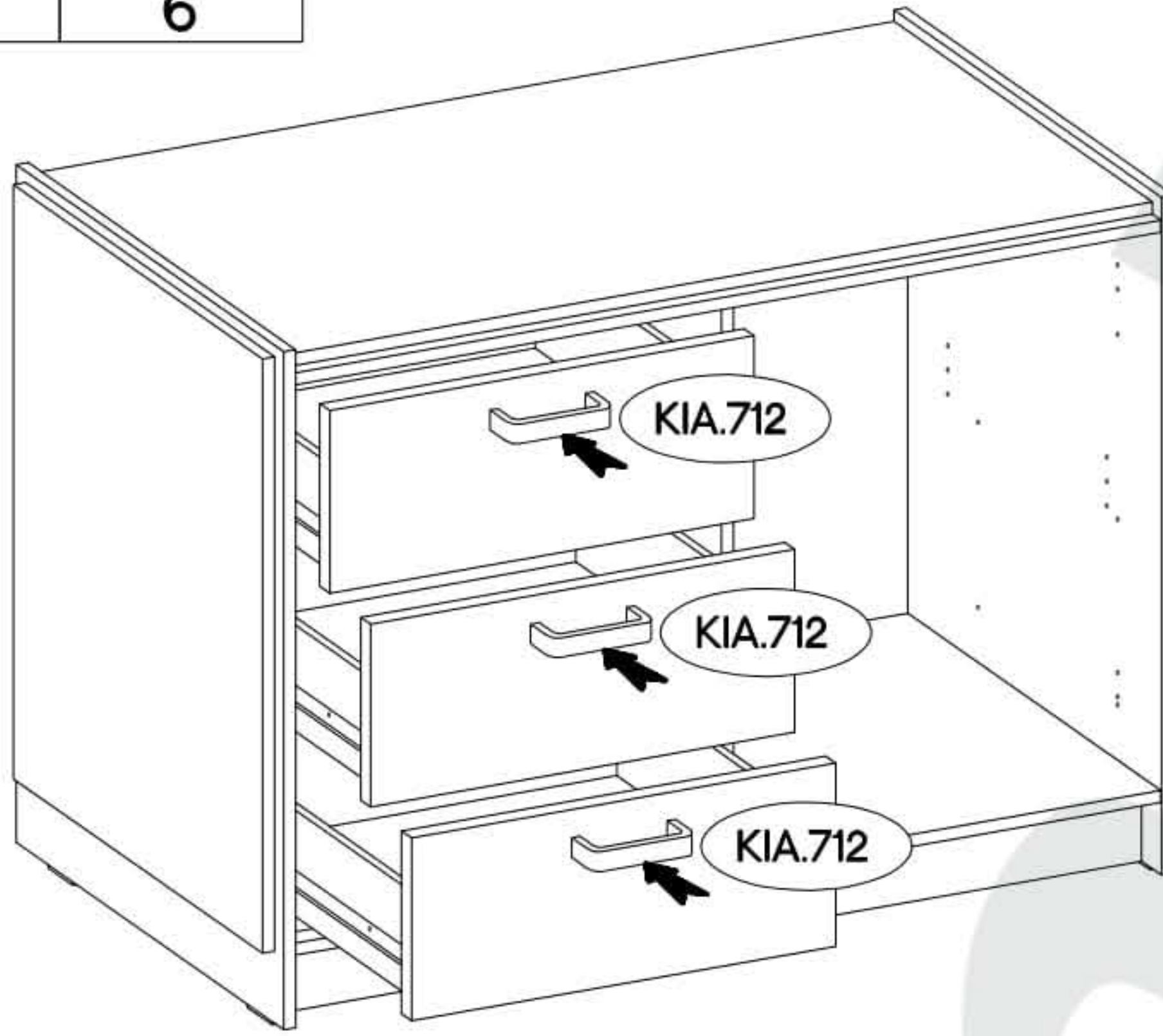
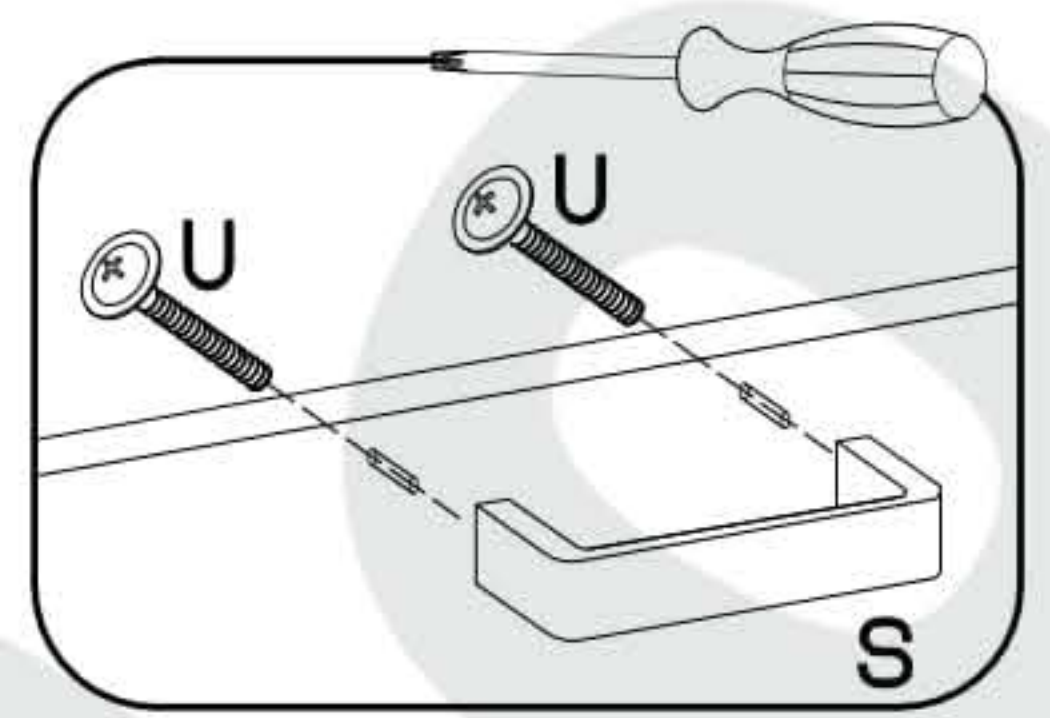


$\varnothing 10 \times 50 \text{mm}$ O7 1	$\varnothing 3.5 \times 13 \text{mm}$ L9 1	$\varnothing 3.5 \times 13 \text{mm}$ P5 1
--	---	---





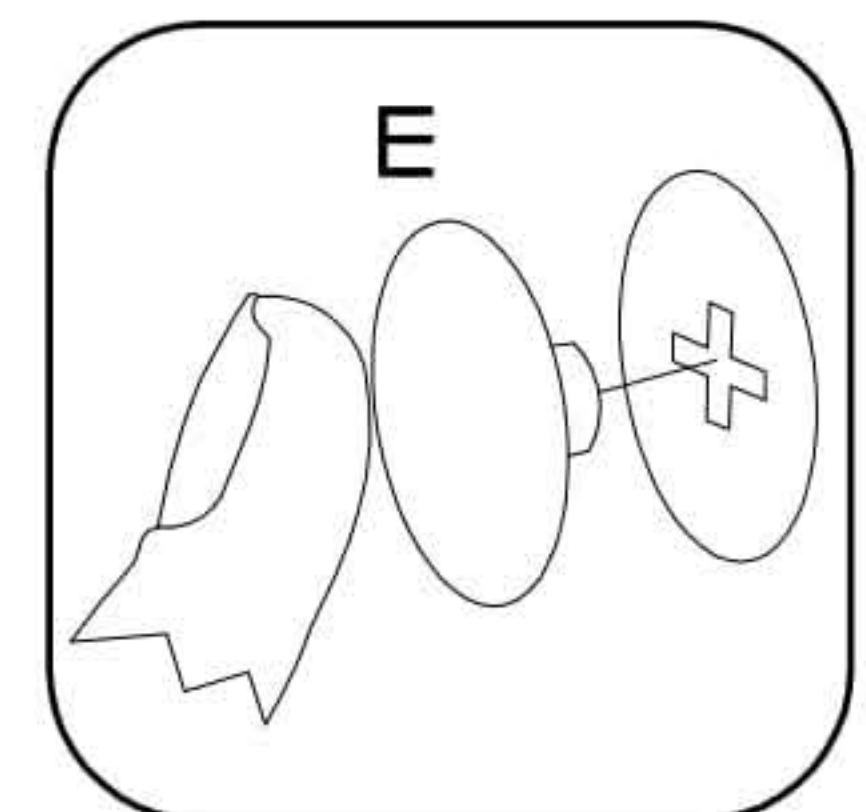
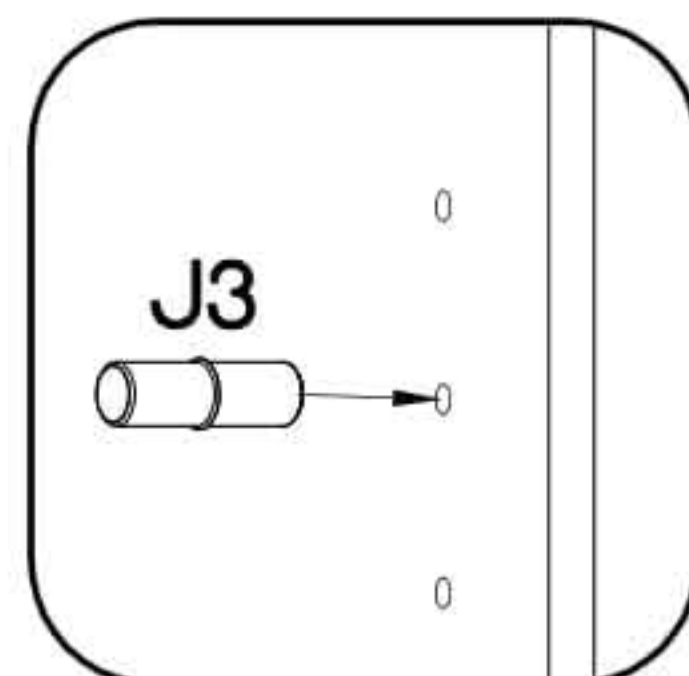
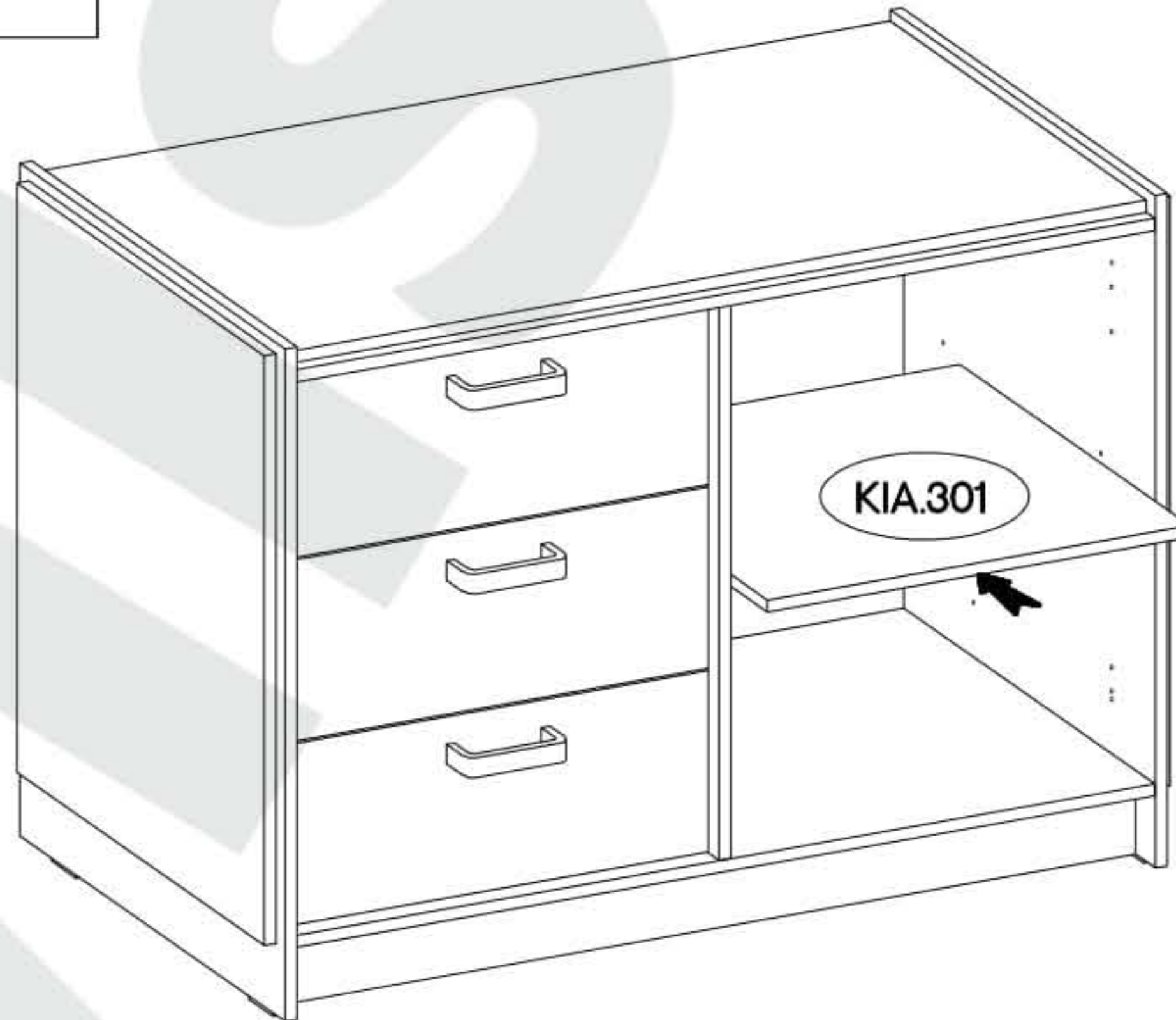
34

L=128mm	M4x22mm	M4x9mm
		
S	U	U1
3	6	6





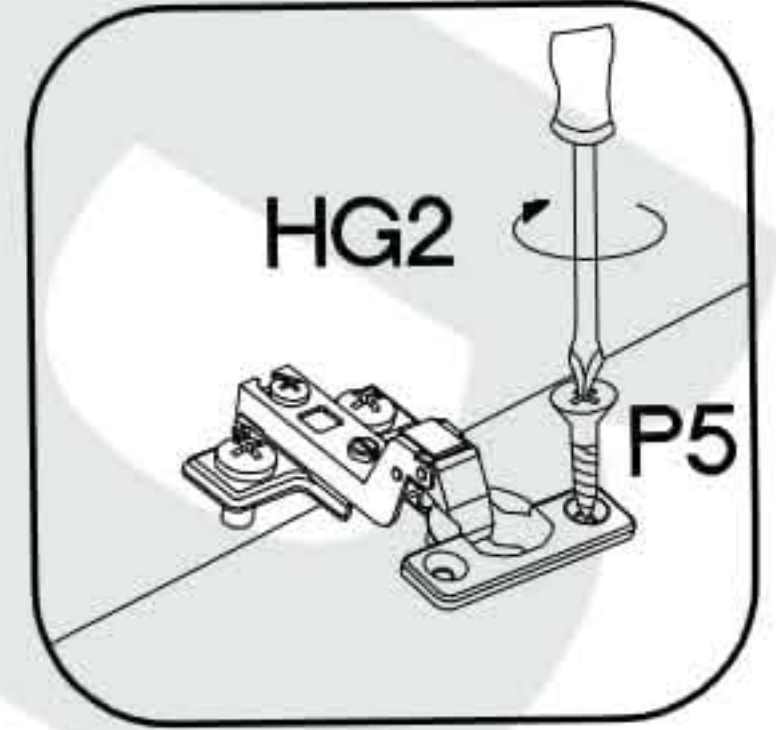
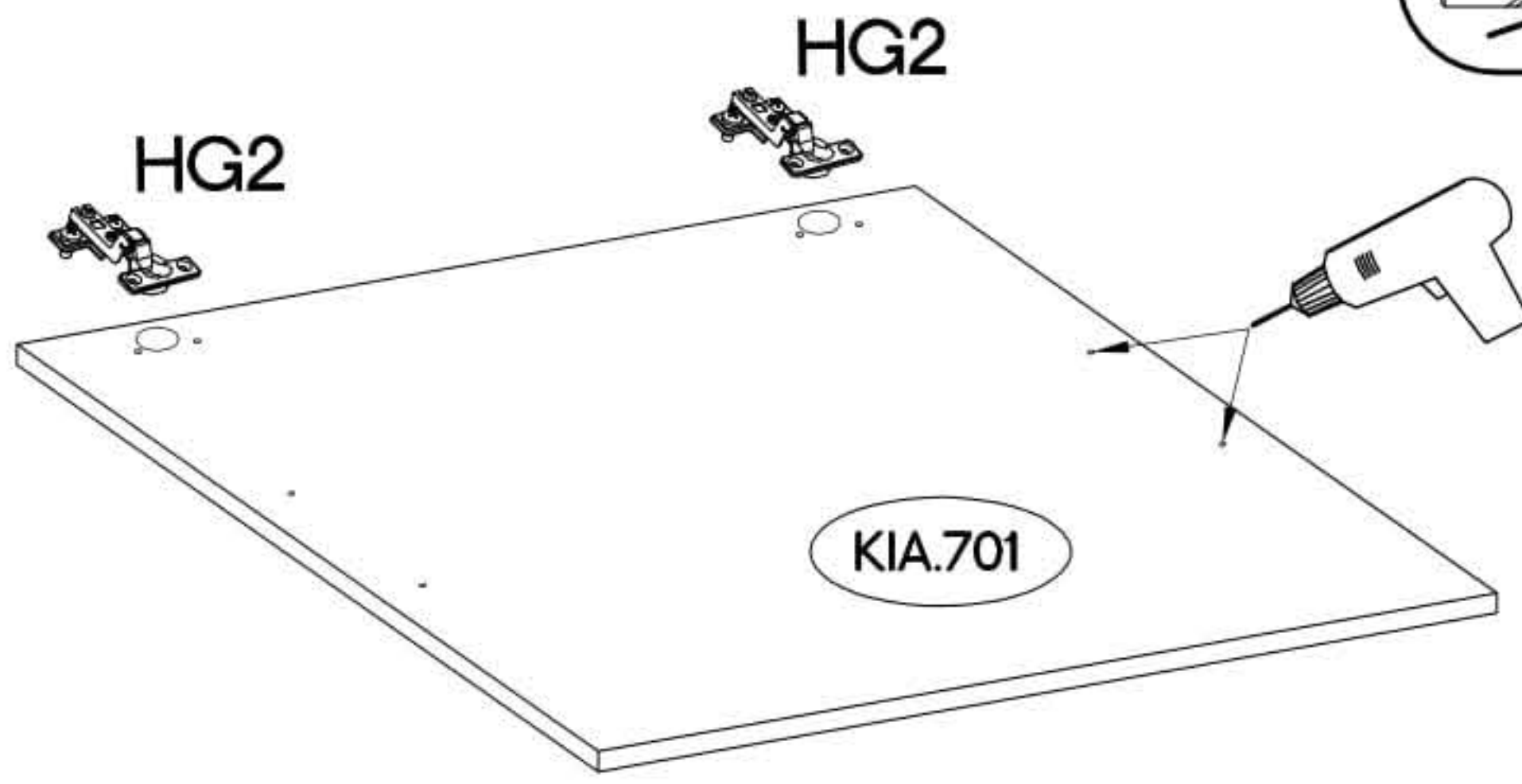
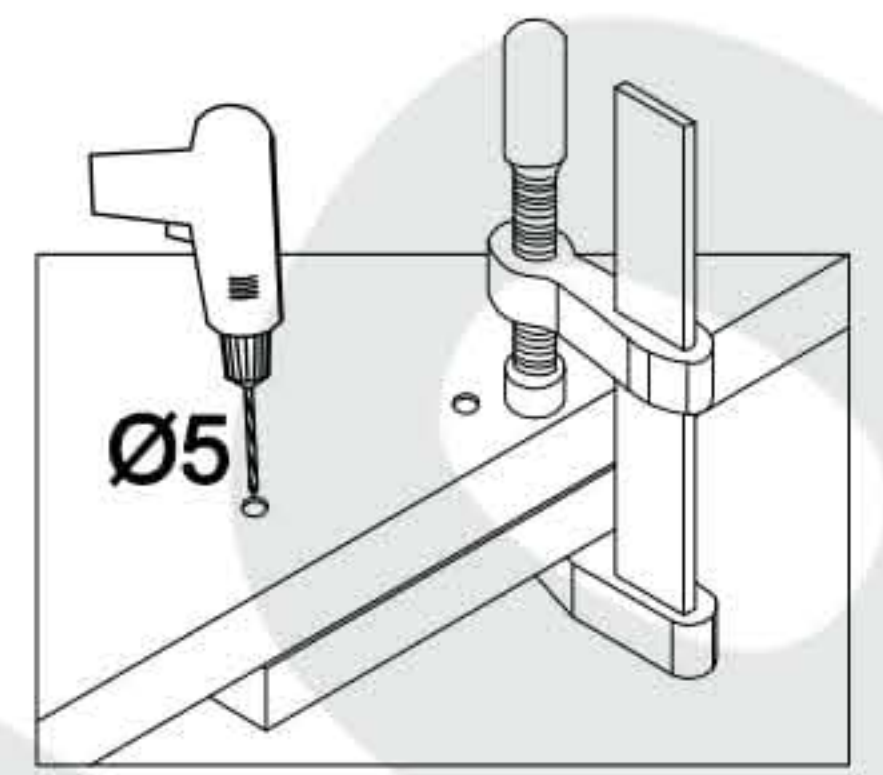
35

±5/16mm		
J3	cza. E	art. E
4	4	6

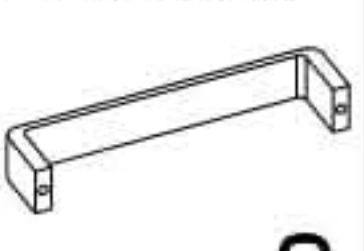



36

$\pm 35/16\text{mm}$	$\pm 3.5 \times 13\text{mm}$
	
HG2	P5
2	4



37

L=128mm	M4x22mm
	
S	U
1	2

