

A

M5

x1

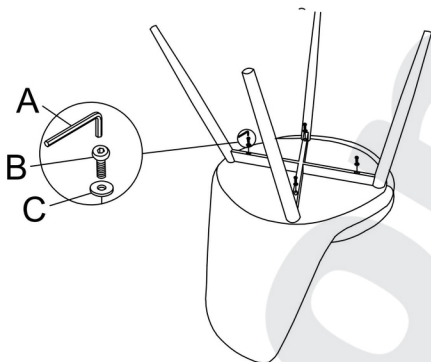
B

M6*40

x4

C $\varnothing 6^* \varnothing 16$

x4

1**2**