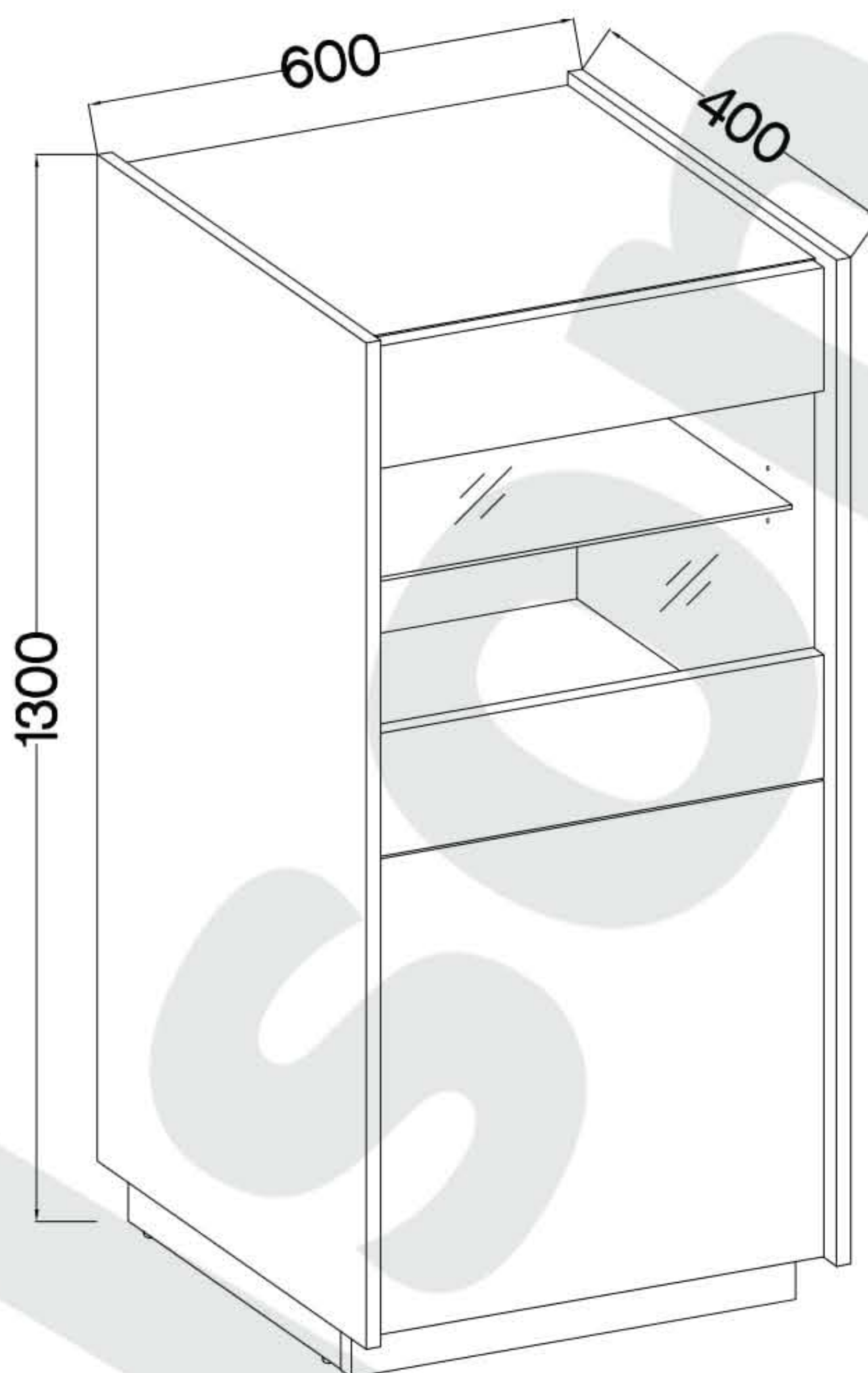
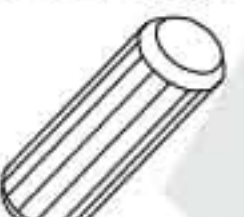


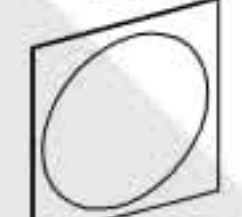
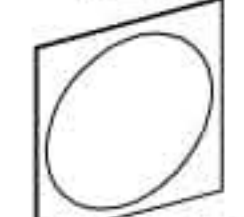







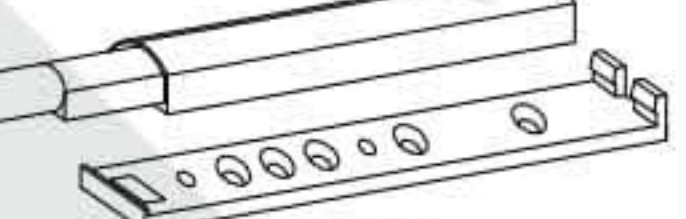






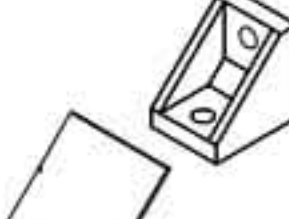


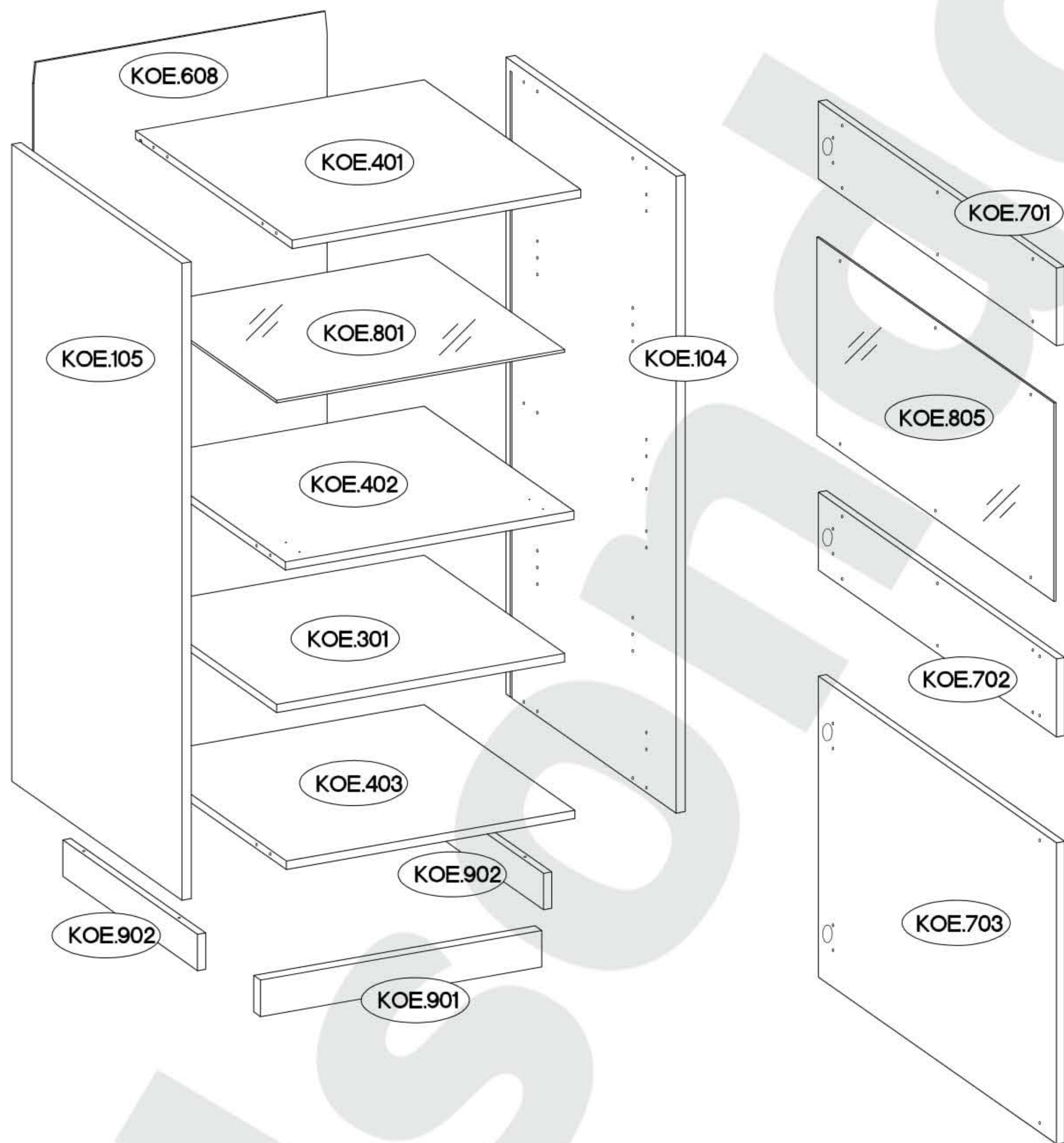
90 min

TYP 001

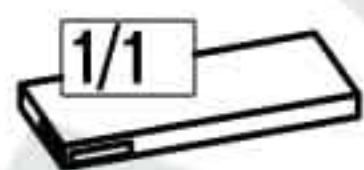


 †8x30mm A 16	 †15/12mm C 12	 L=20mm D2 12	 †20 E11 9	 †20 E11 bezel 1	 †15x5mm F4 4	 †35/16mm HG2 4	 †5/16mm J3 4	 †7/4mm J12 4	 †7/4mm J7 6
 L 10	 L9 1	 L33 2	 O1 1	 †10x50mm O7 1	 †4.0x16mm P1 6	 †3.5x13mm P5 13	 †3.0x20mm P7 8	 †4.0x16mm R11 6	 T3 3

ISM-KOE-003



	Ersatzteil Nummer	Dimension
	KOE.104	1226x400x18
	KOE.105	1226x400x18
	KOE.401	564x368x16
	KOE.402	564x352x16
	KOE.403	564x354x16
	KOE.901	550x70x16
	KOE.902 x2	317x70x16
	KOE.301	563x330x16
	KOE.608	1196x573x2,5
	KOE.801	563x320x5
	KOE.805	382x557x4
	KOE.701	560x150x16
	KOE.702	560x150x16
	KOE.703	560x580x16



KOE.403



KOE.301

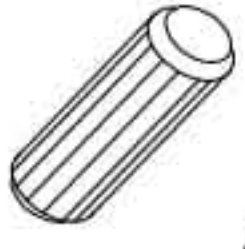


KOE.401

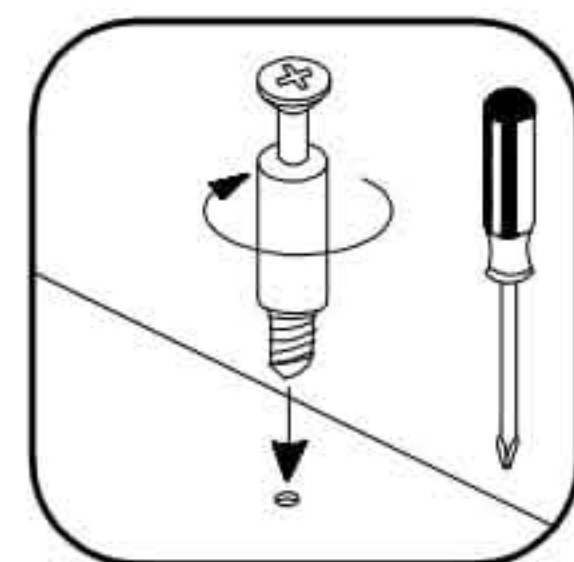
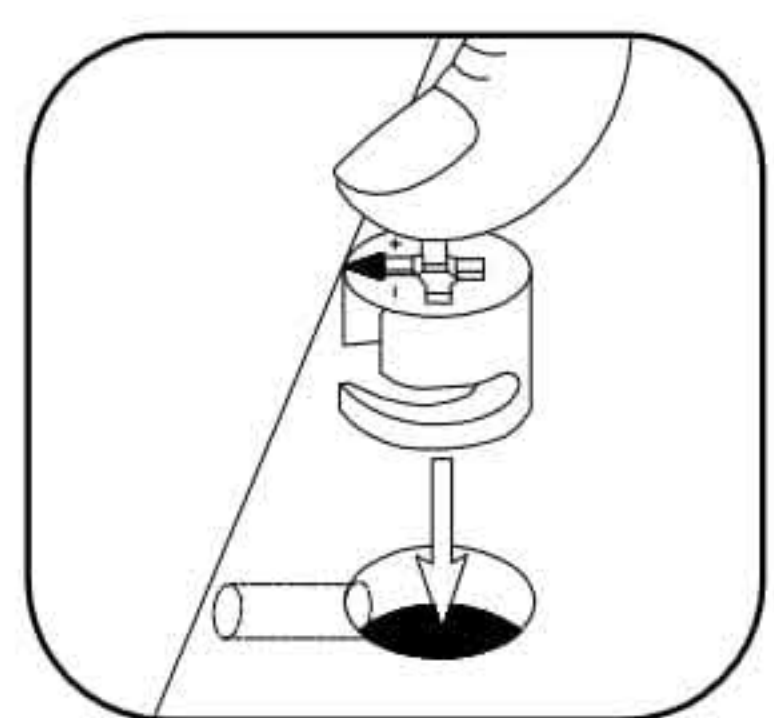
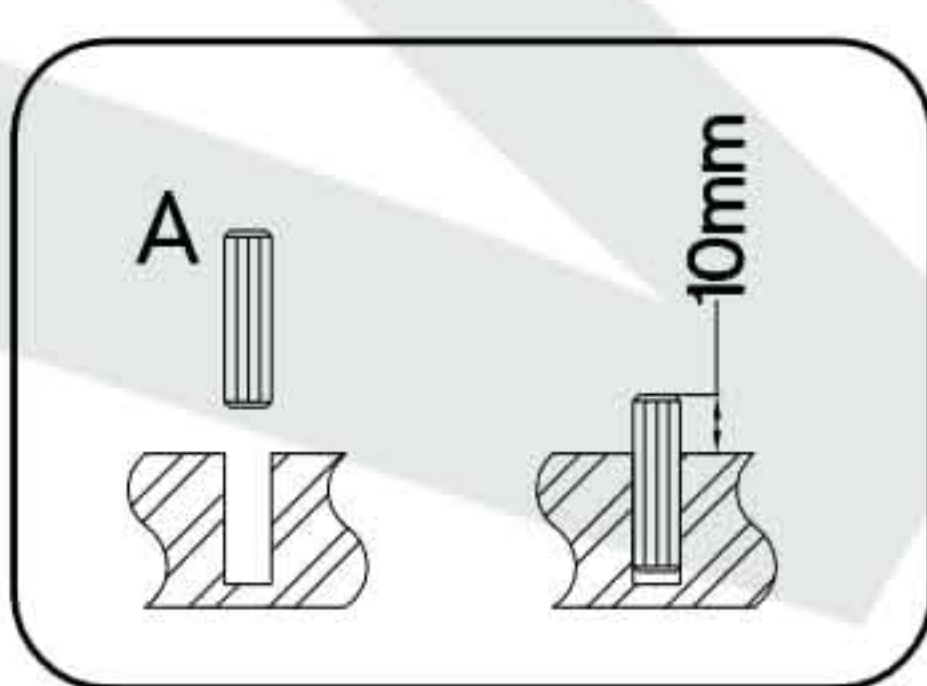
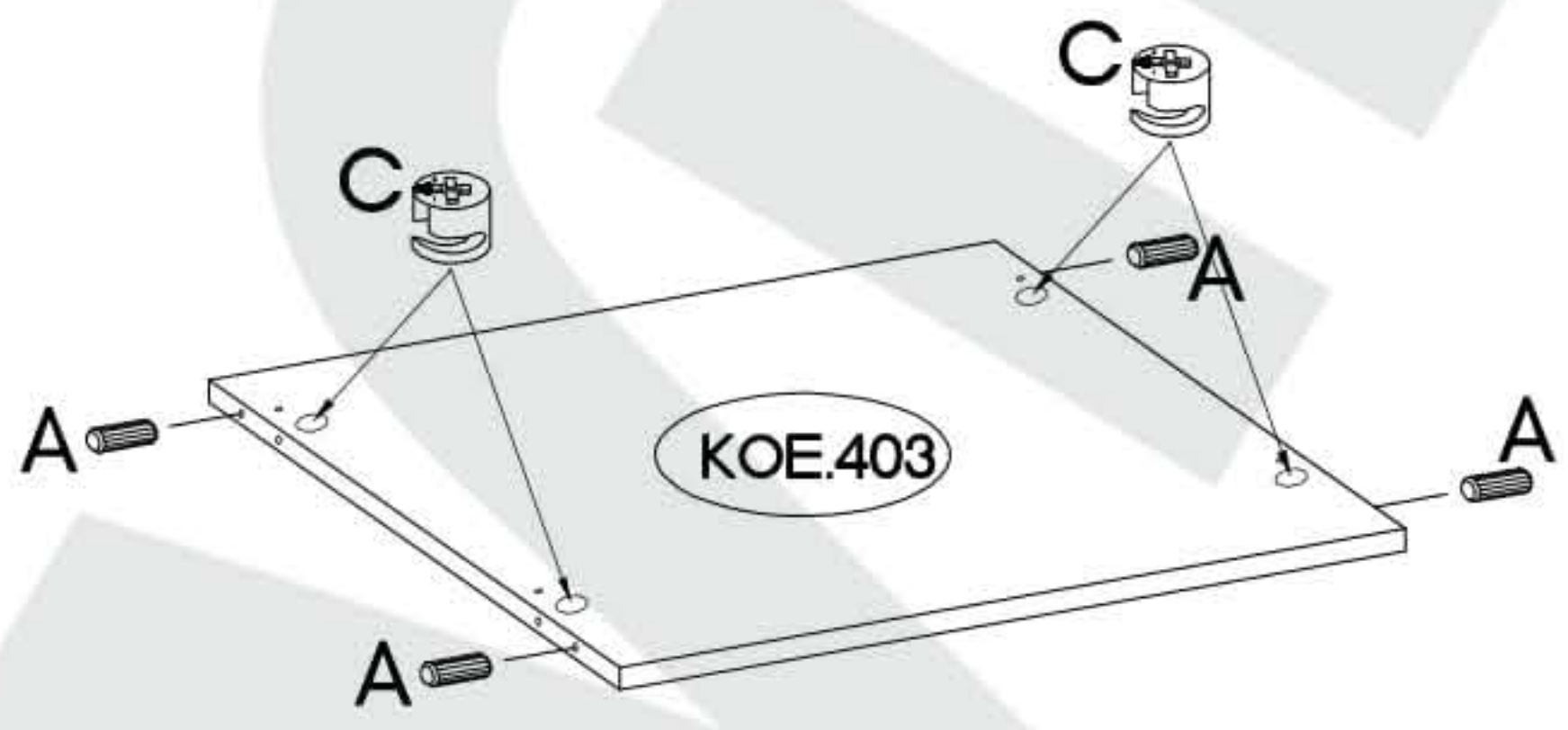
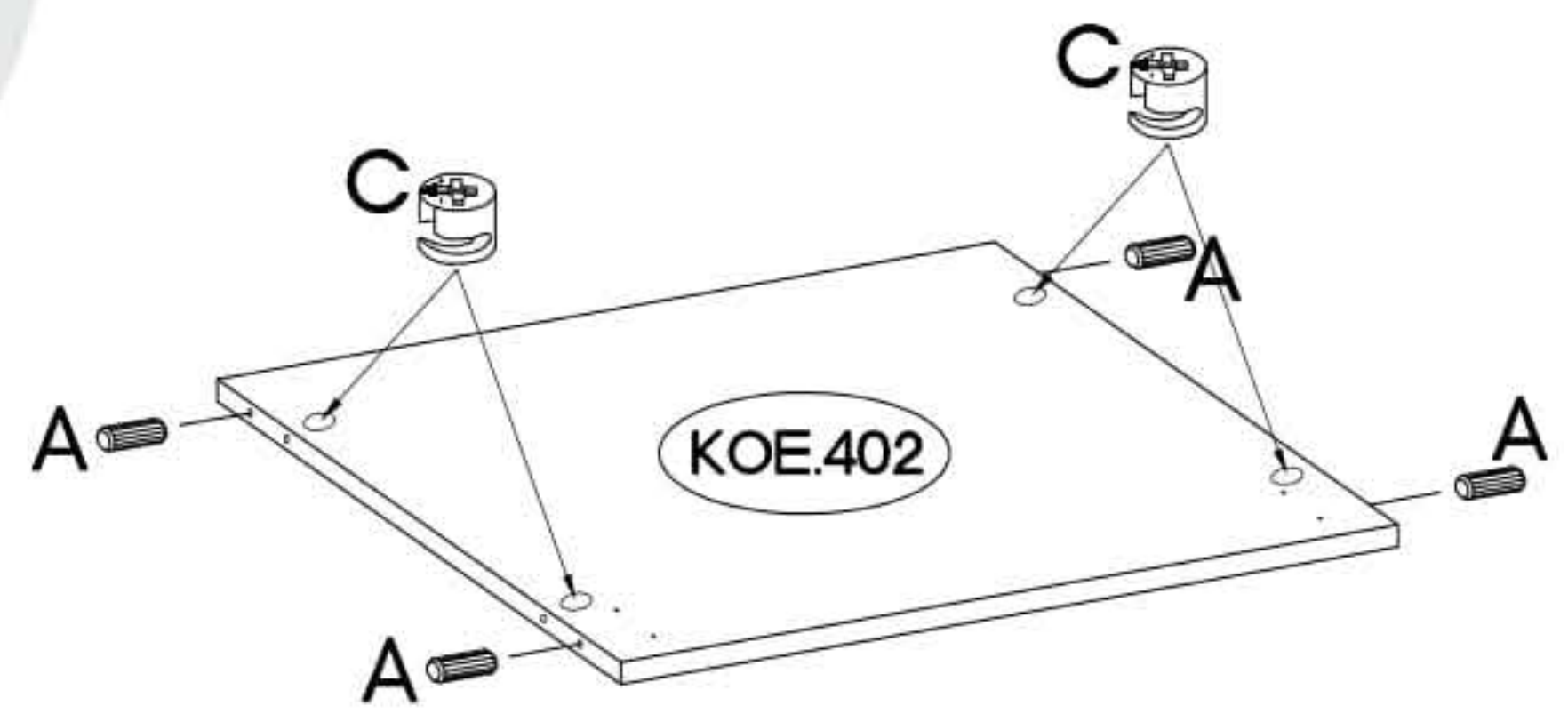
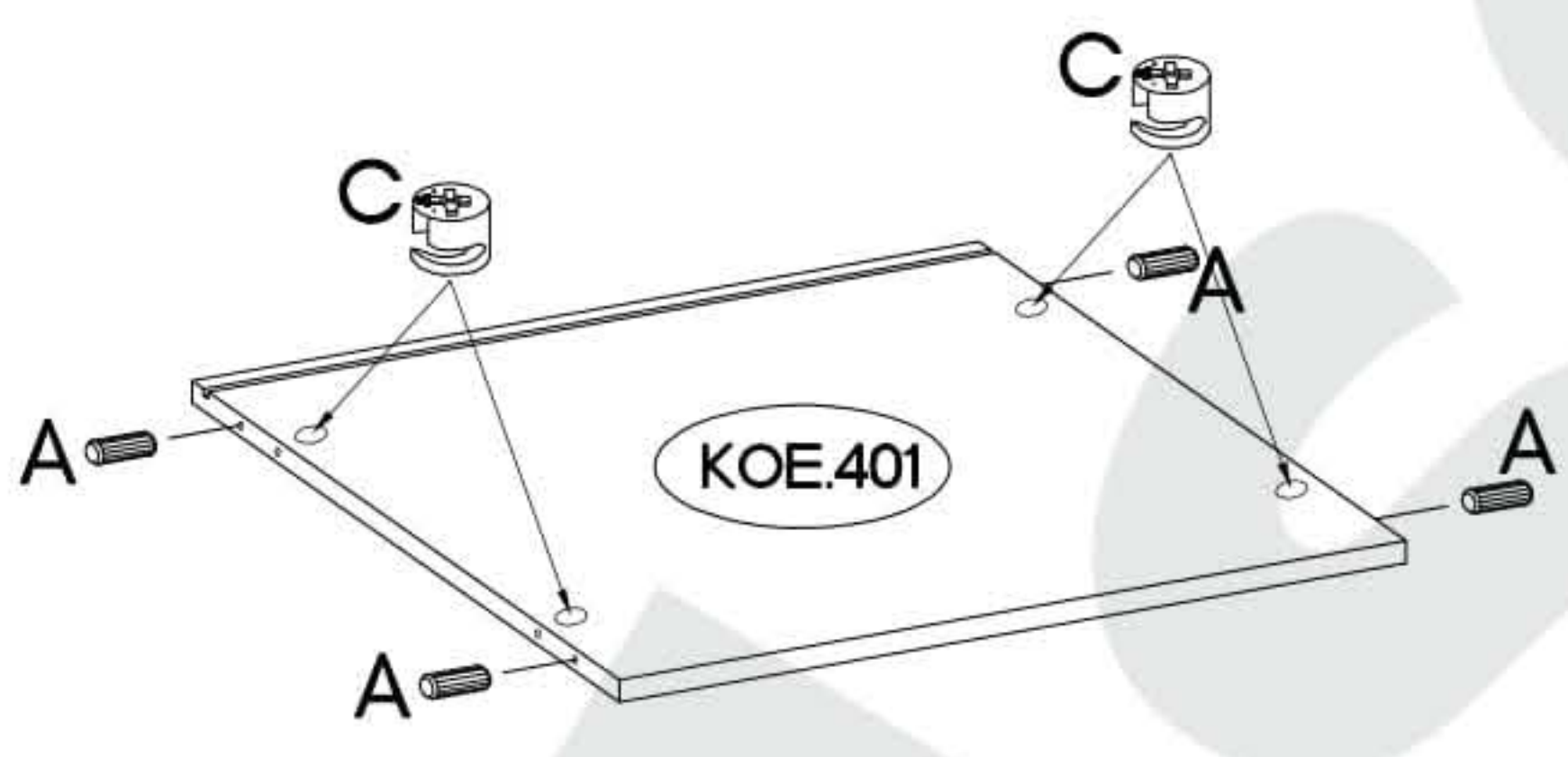
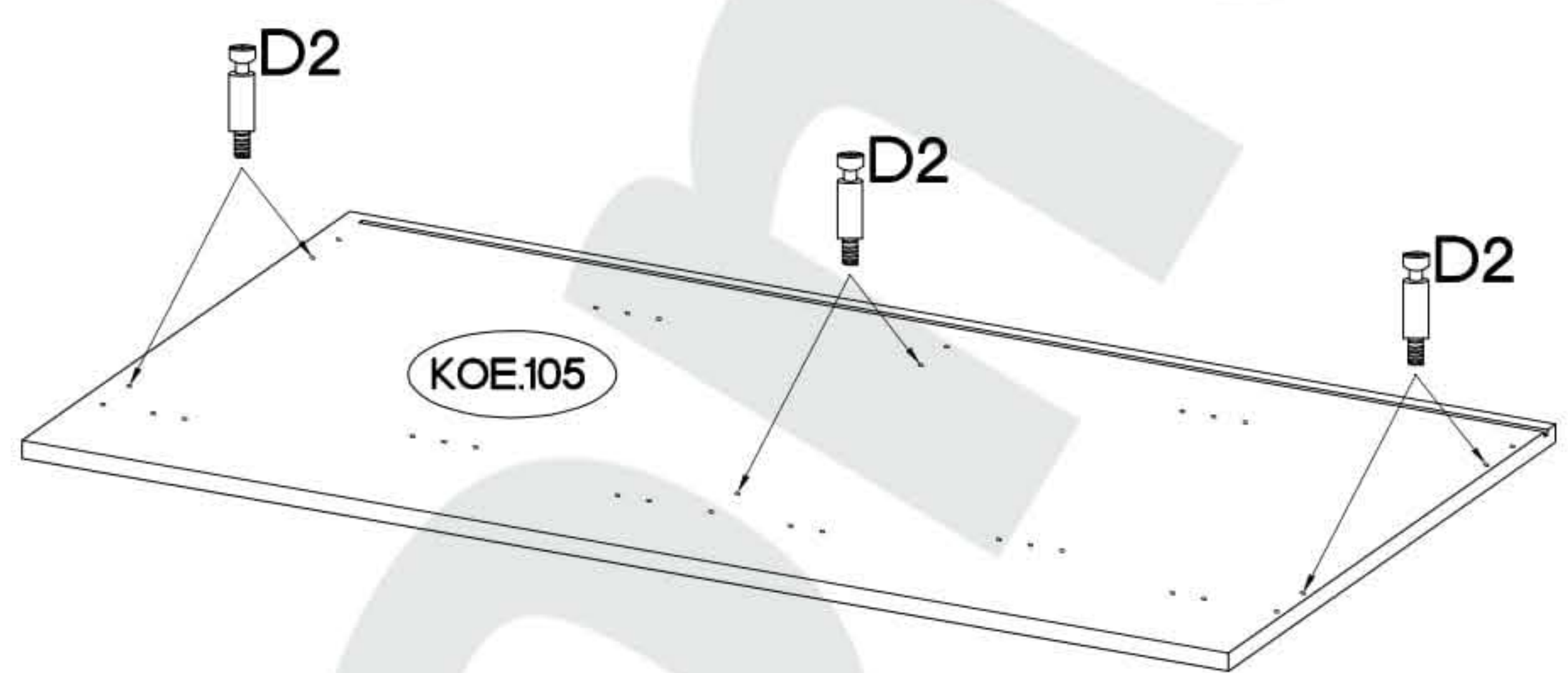
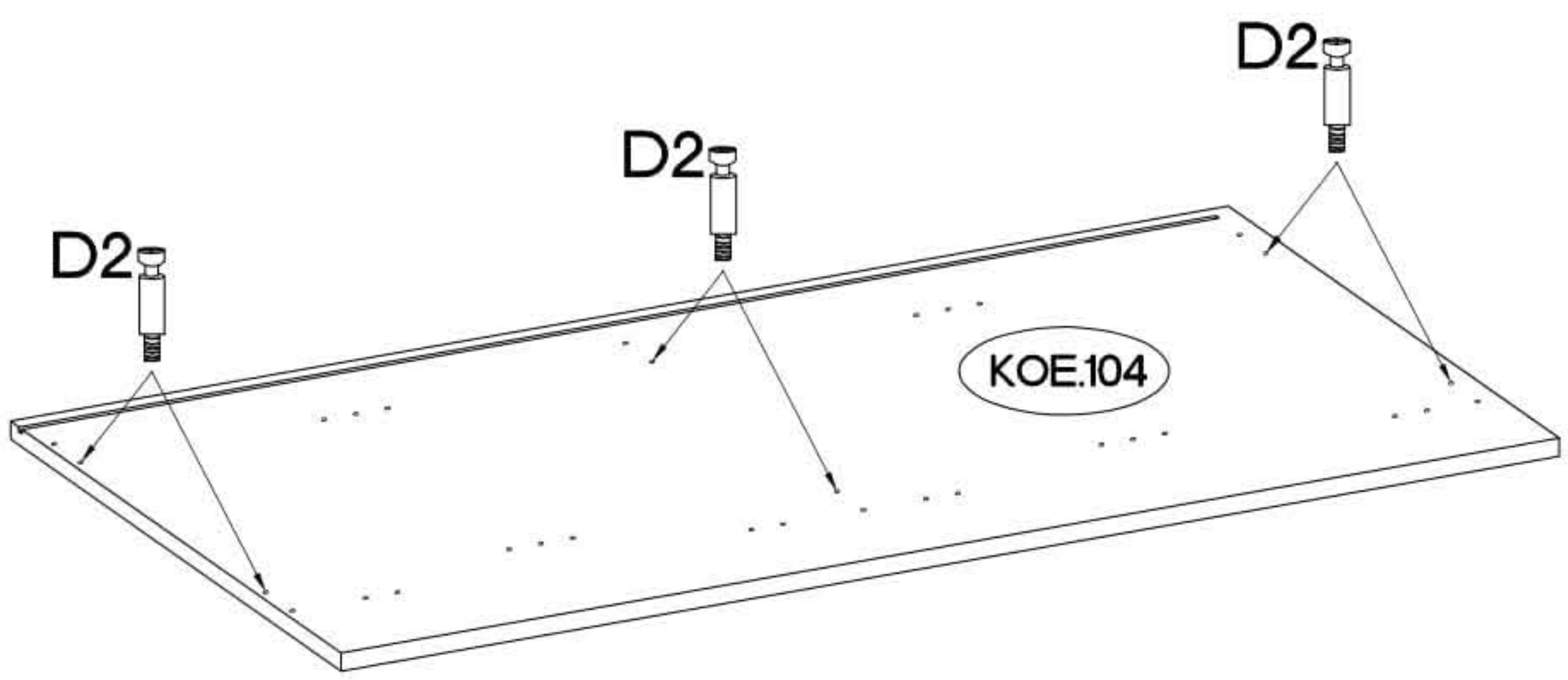
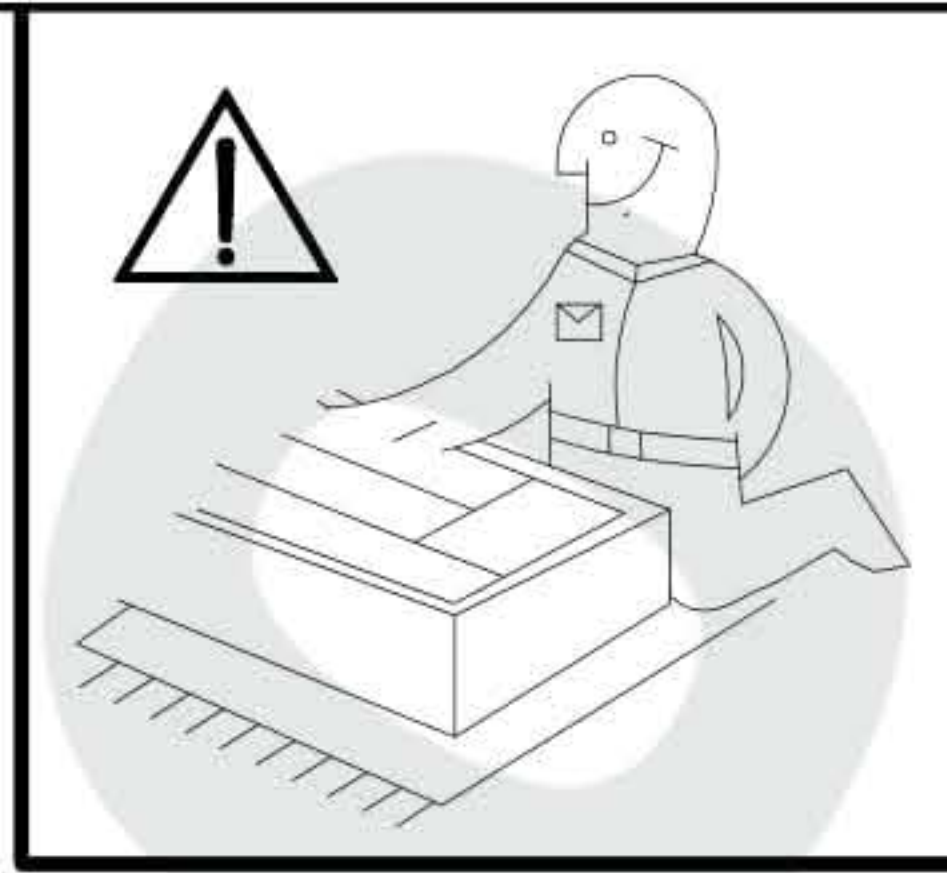
KOE.402



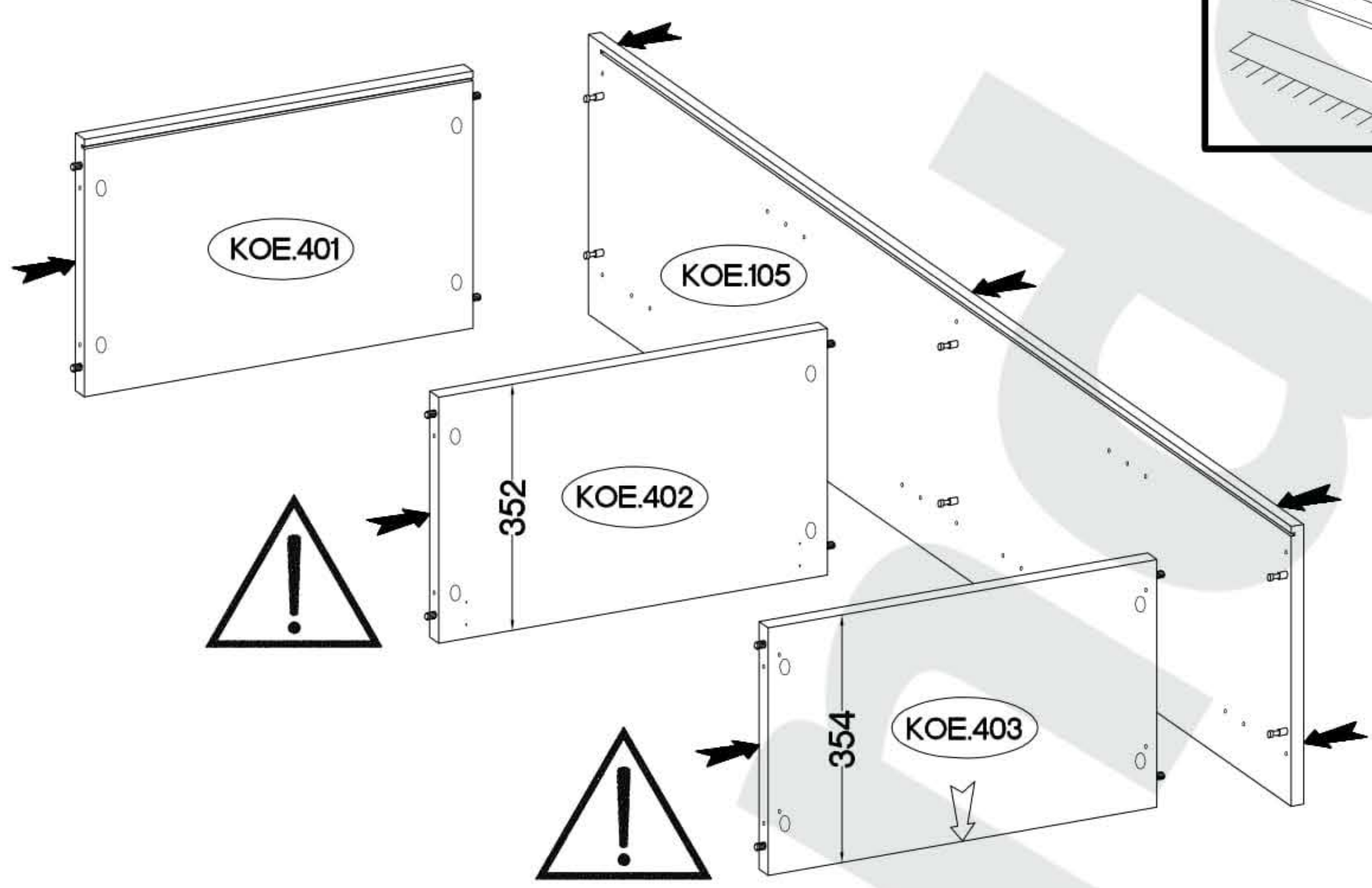
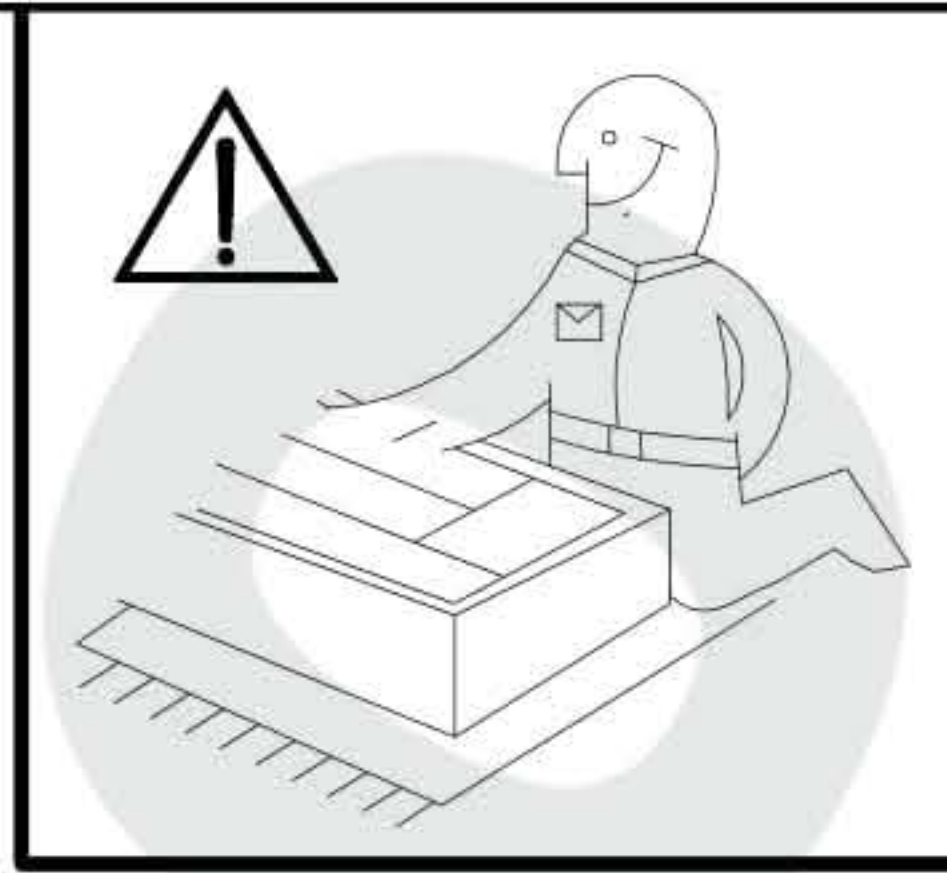
KOE.801

1

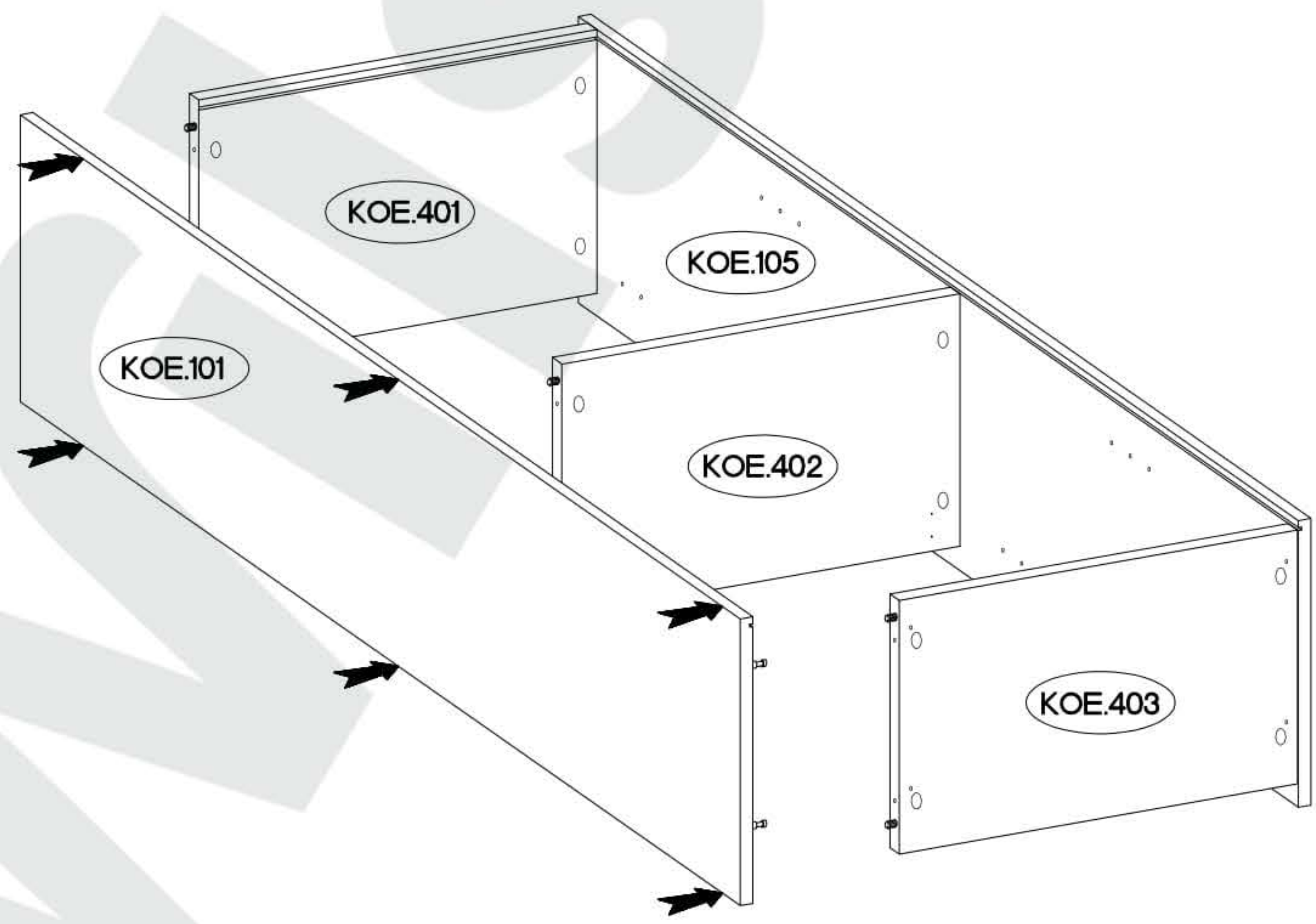
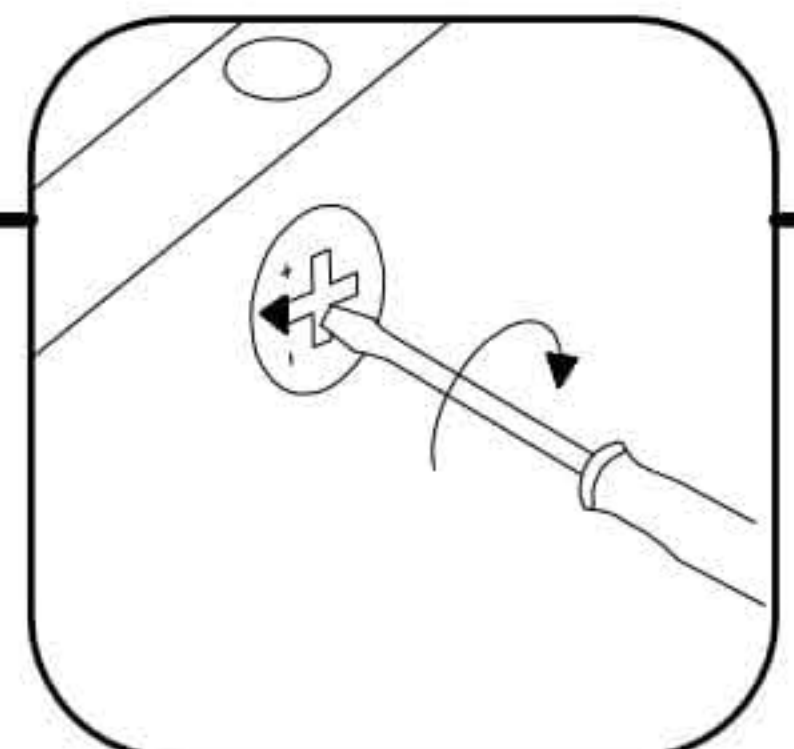
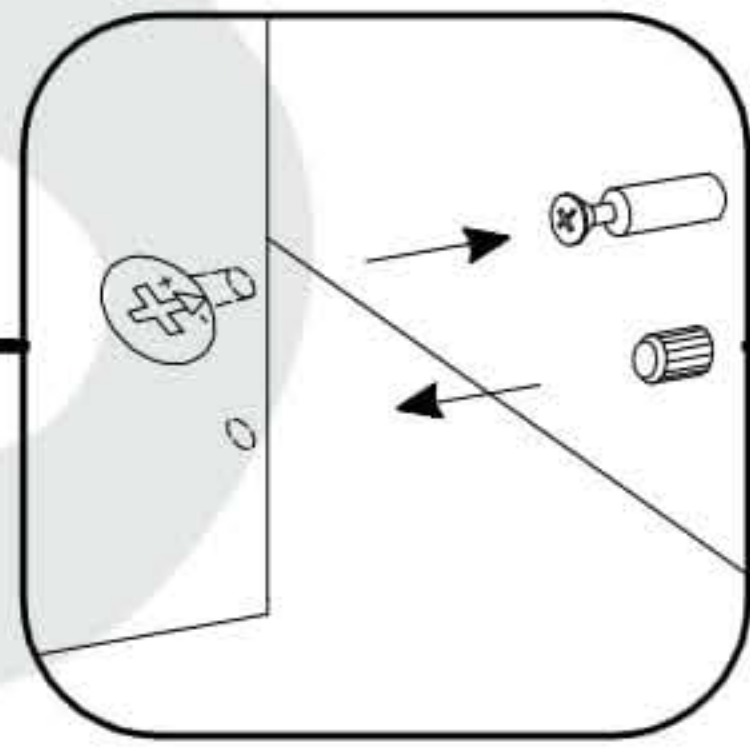
∅8x30mm  A	∅15/12mm  C	L=20mm  D2
12	12	12




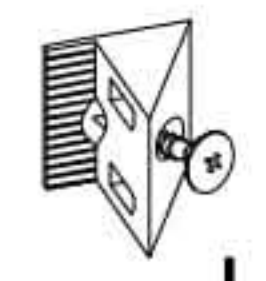
2

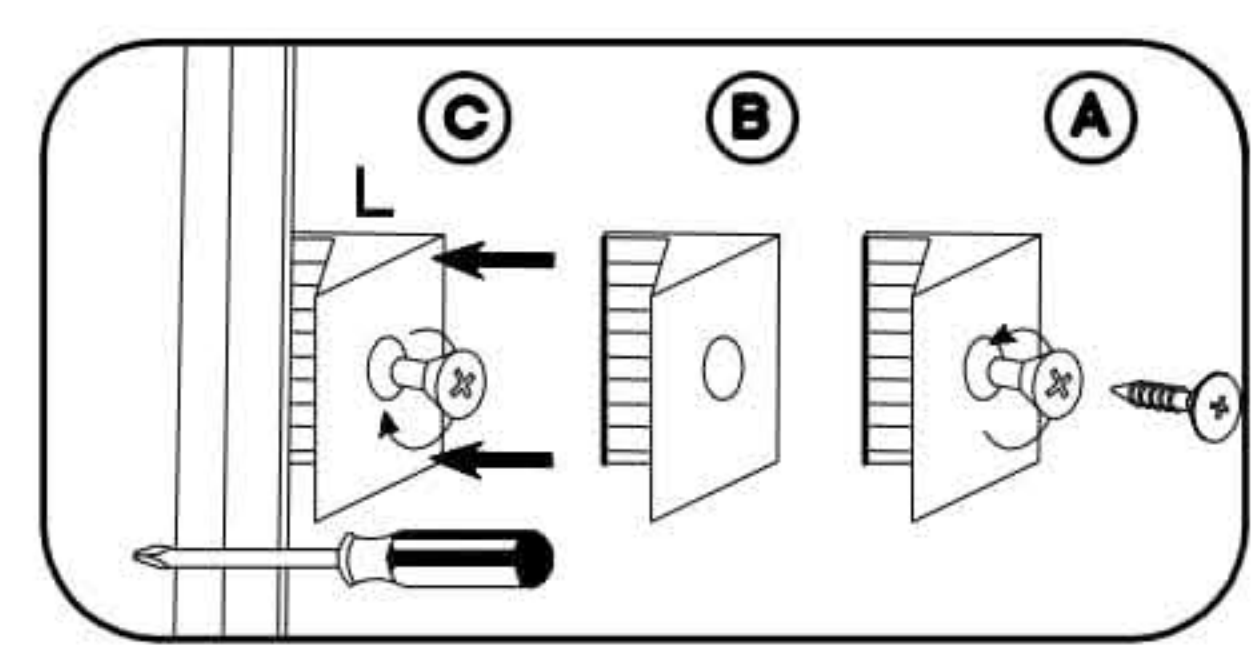
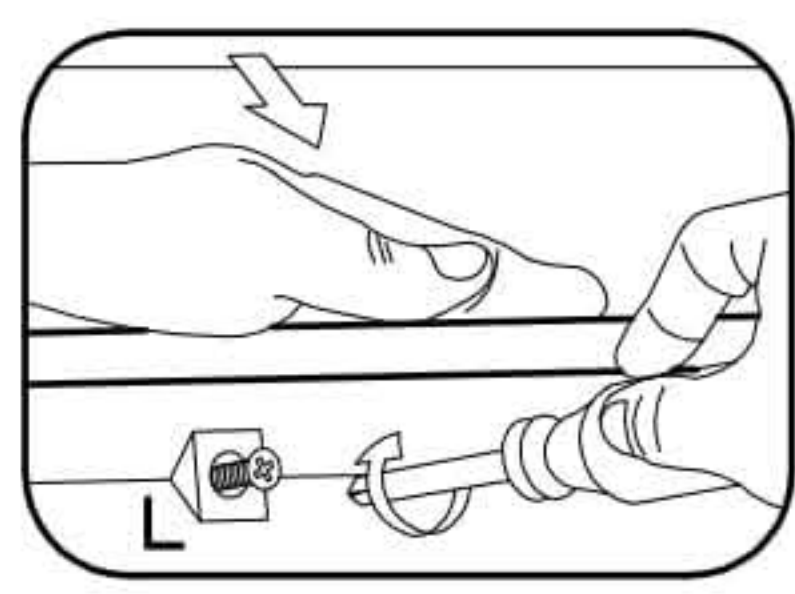
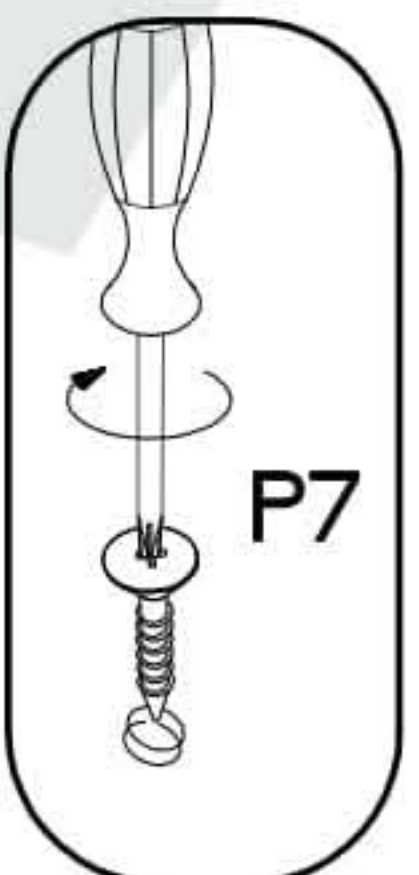
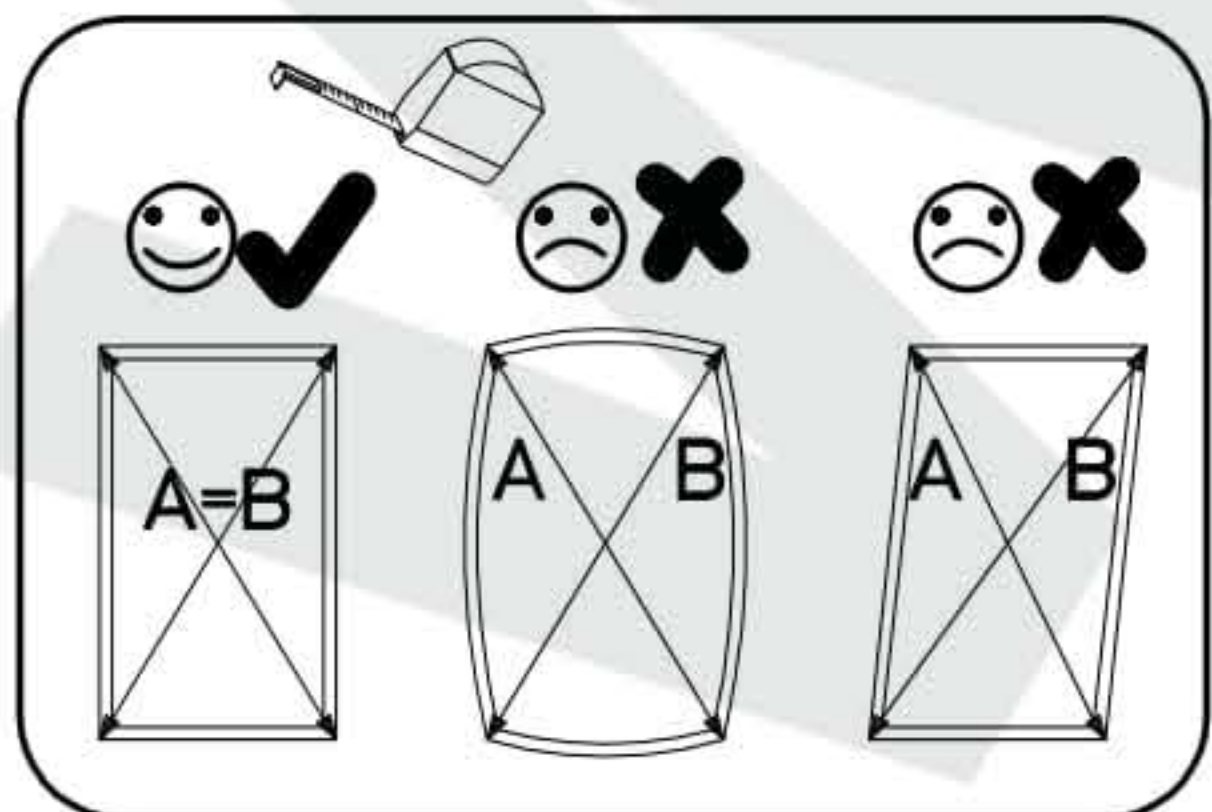
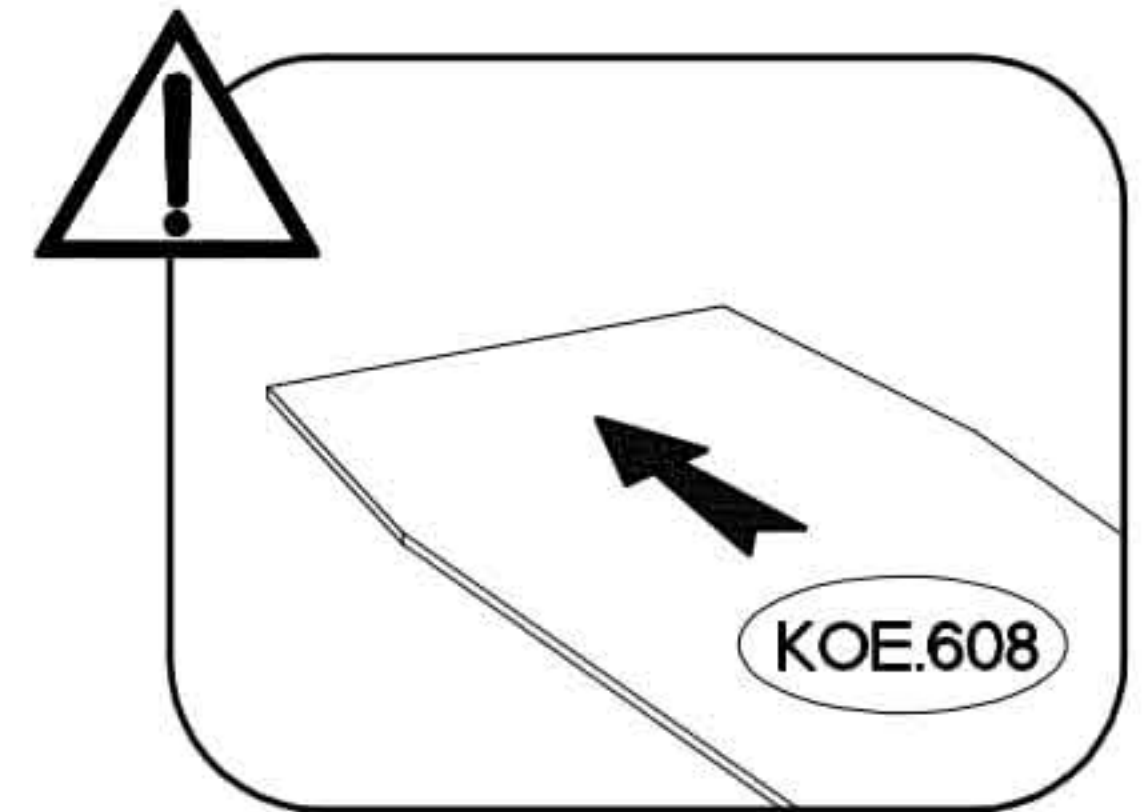
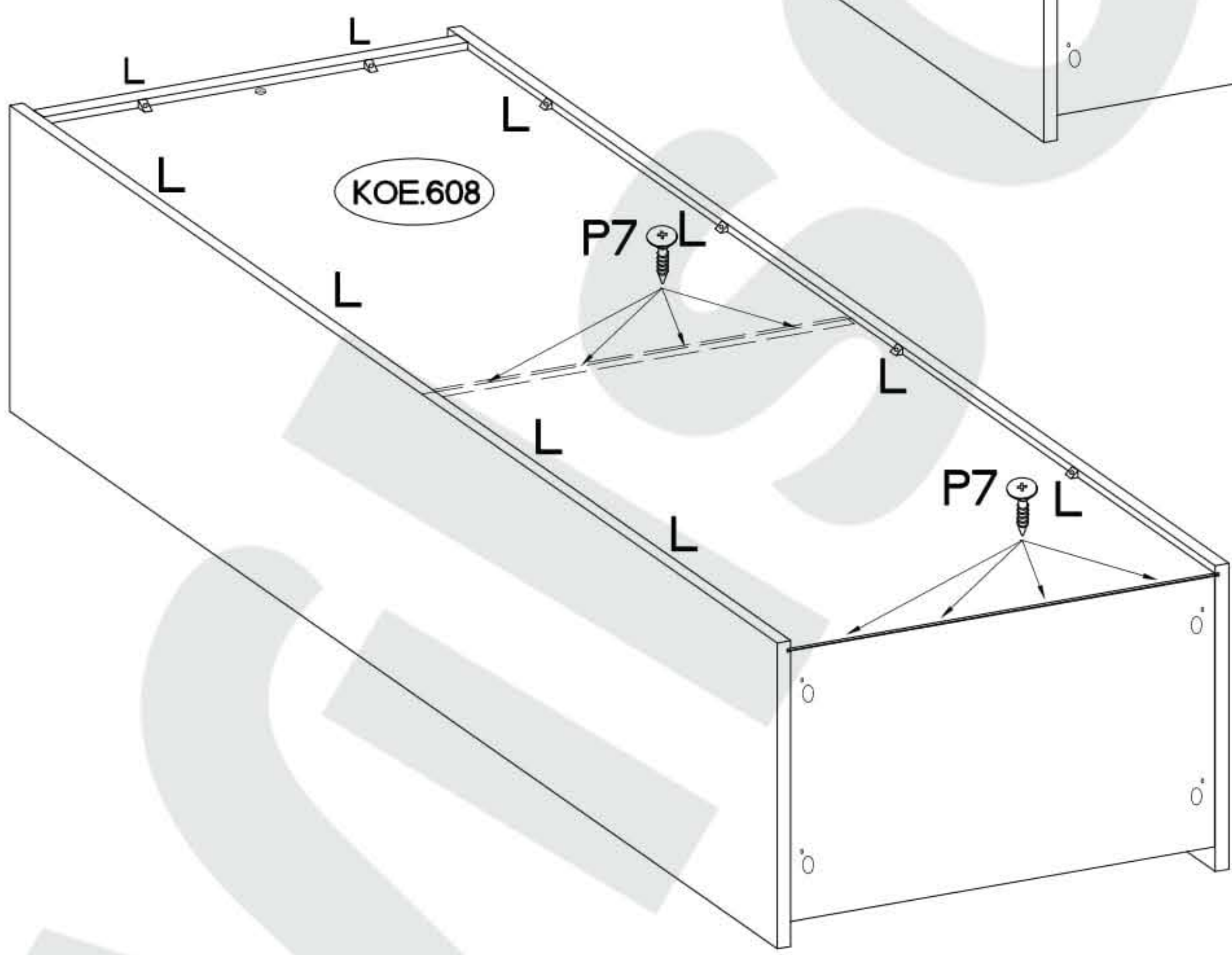
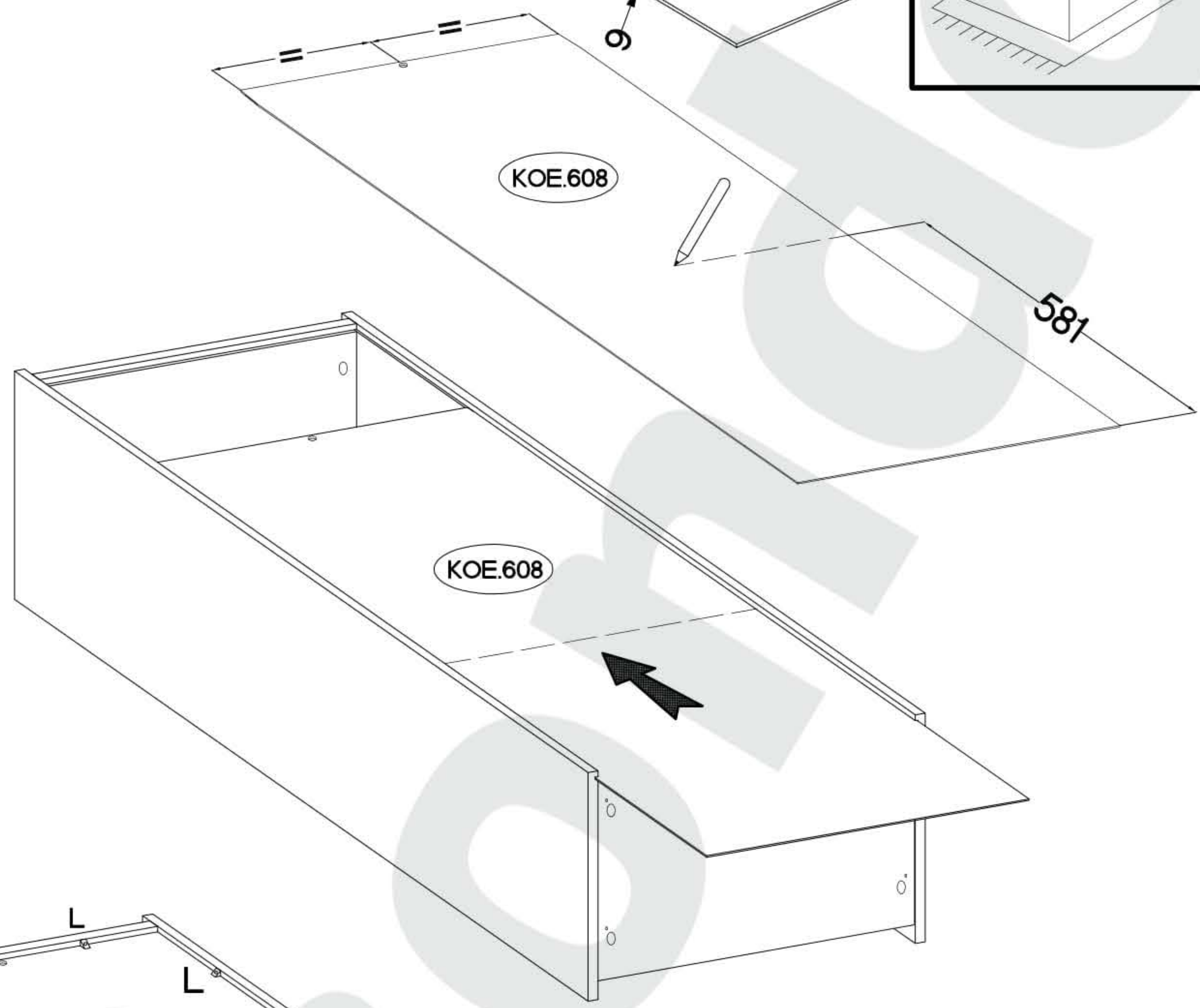
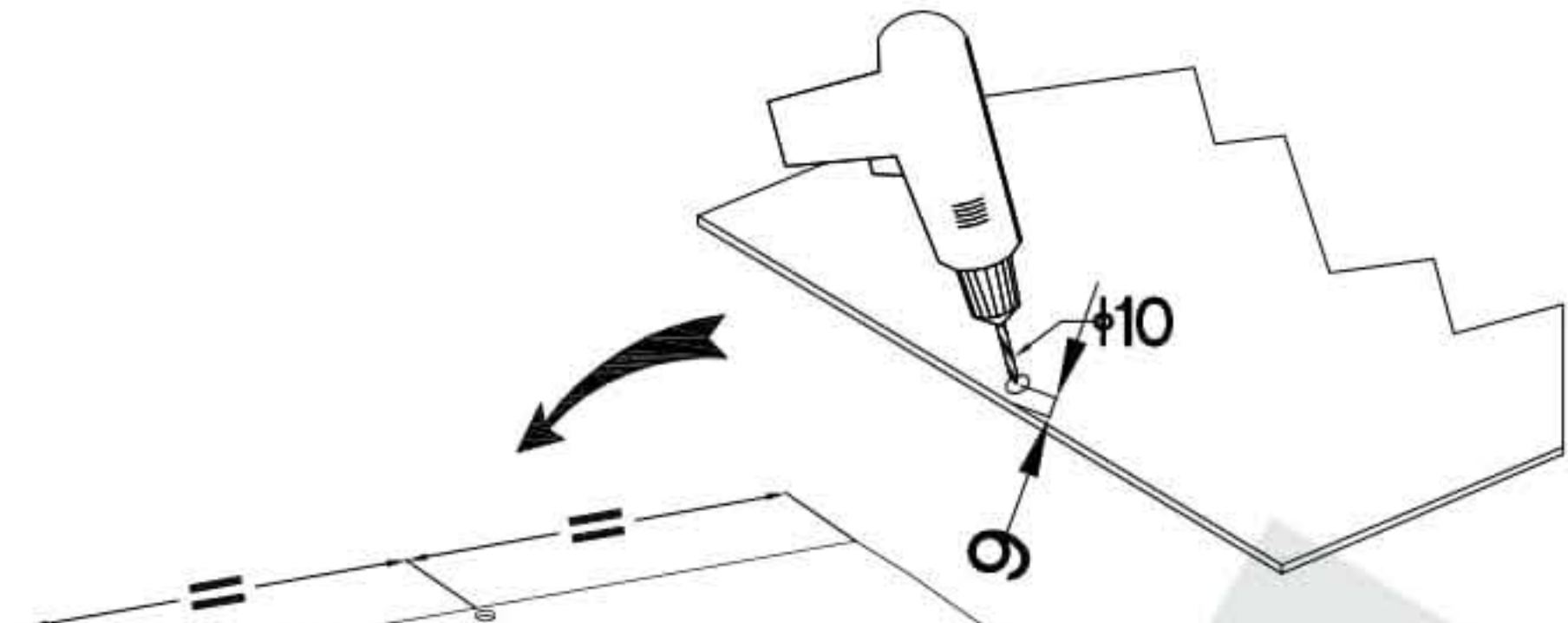
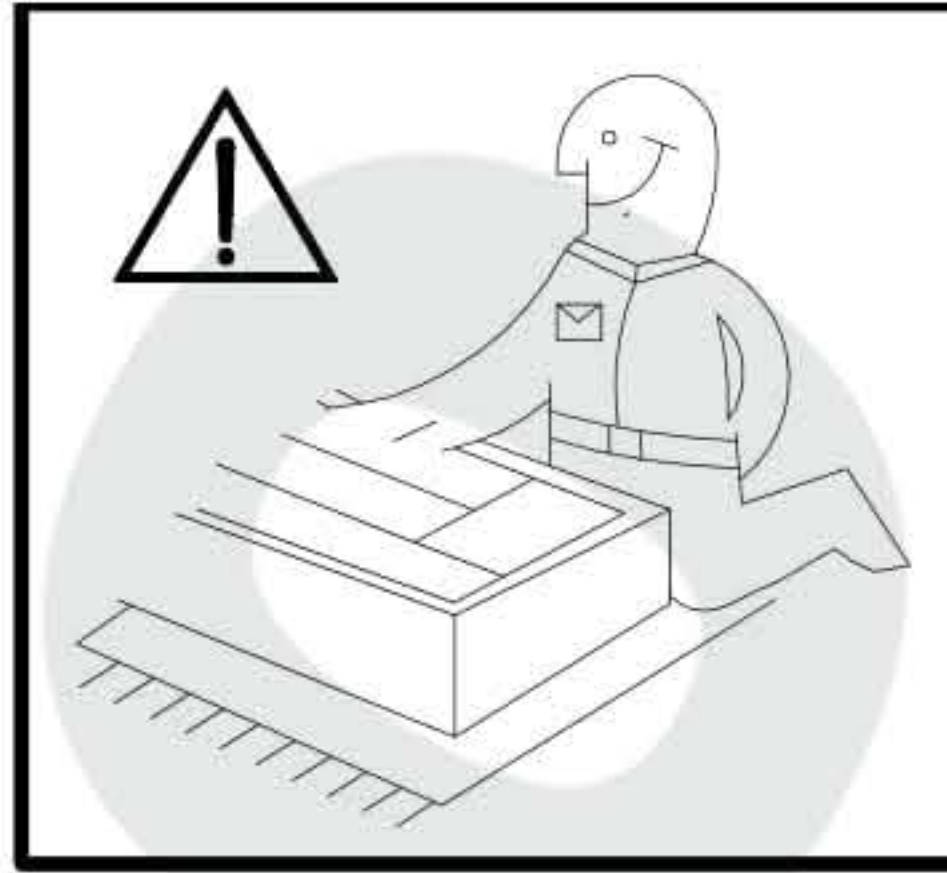


3



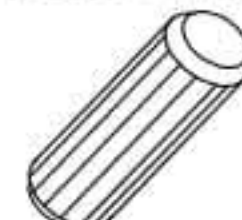


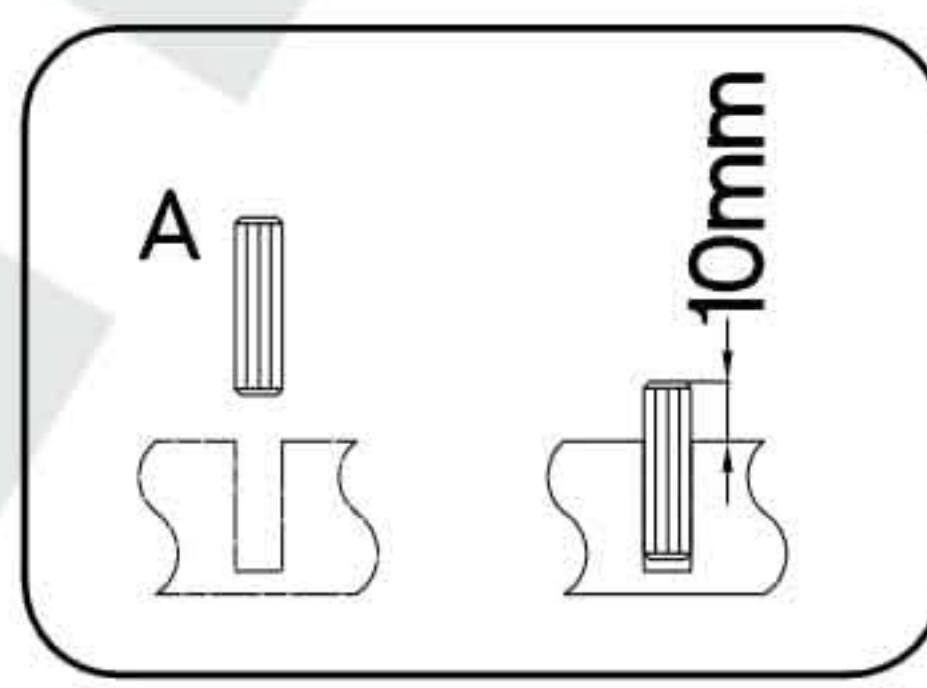
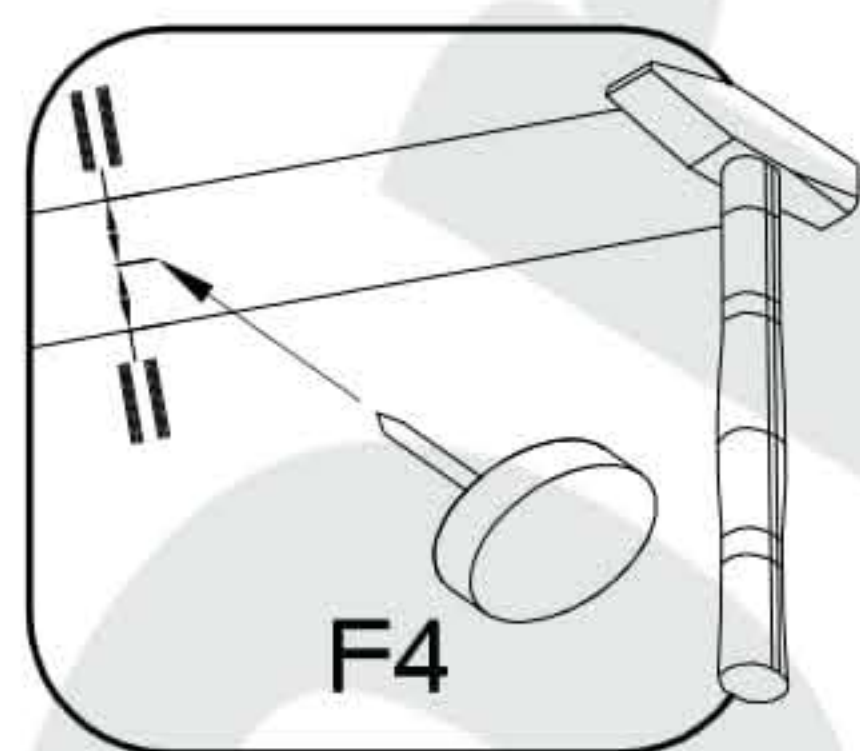
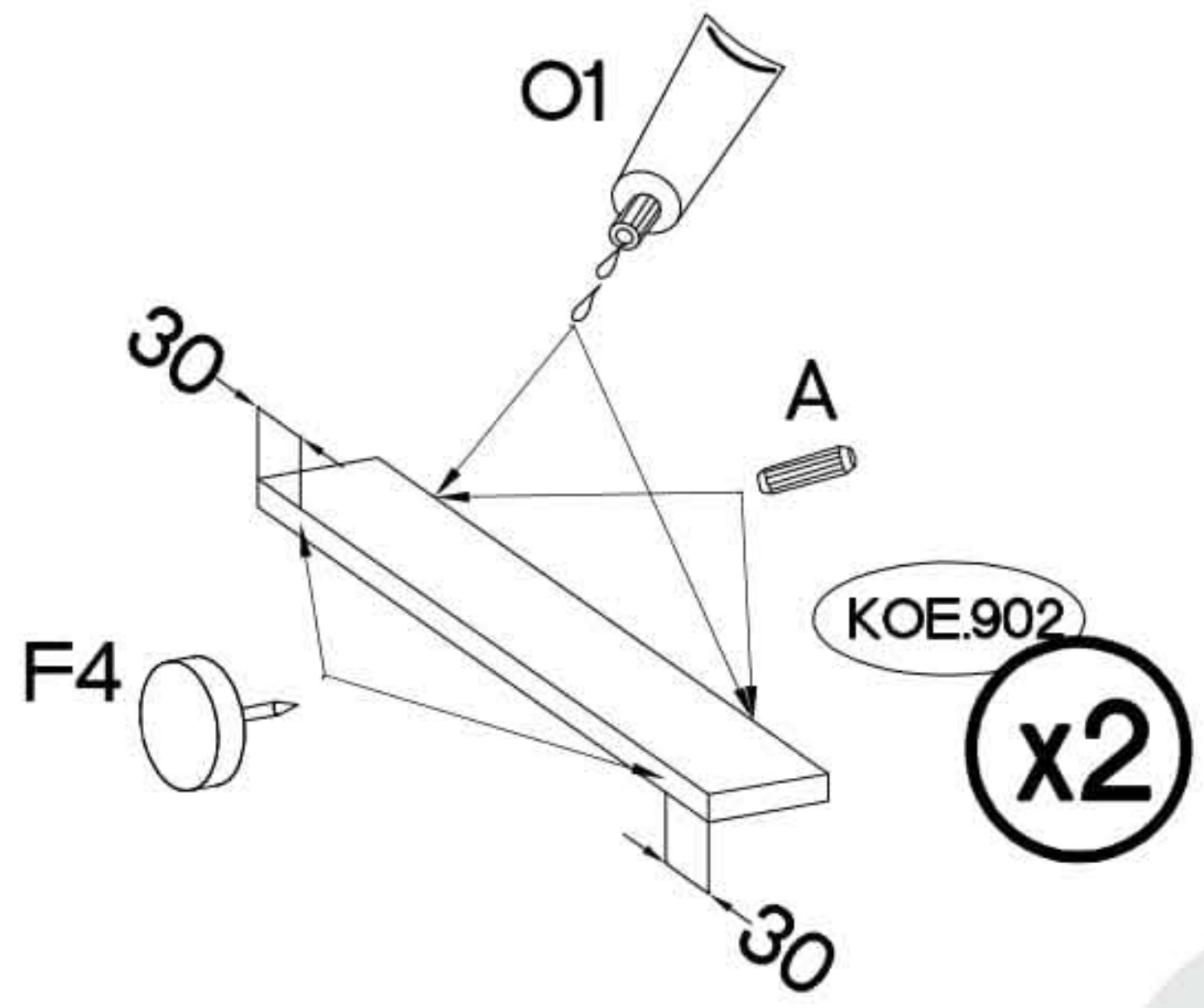
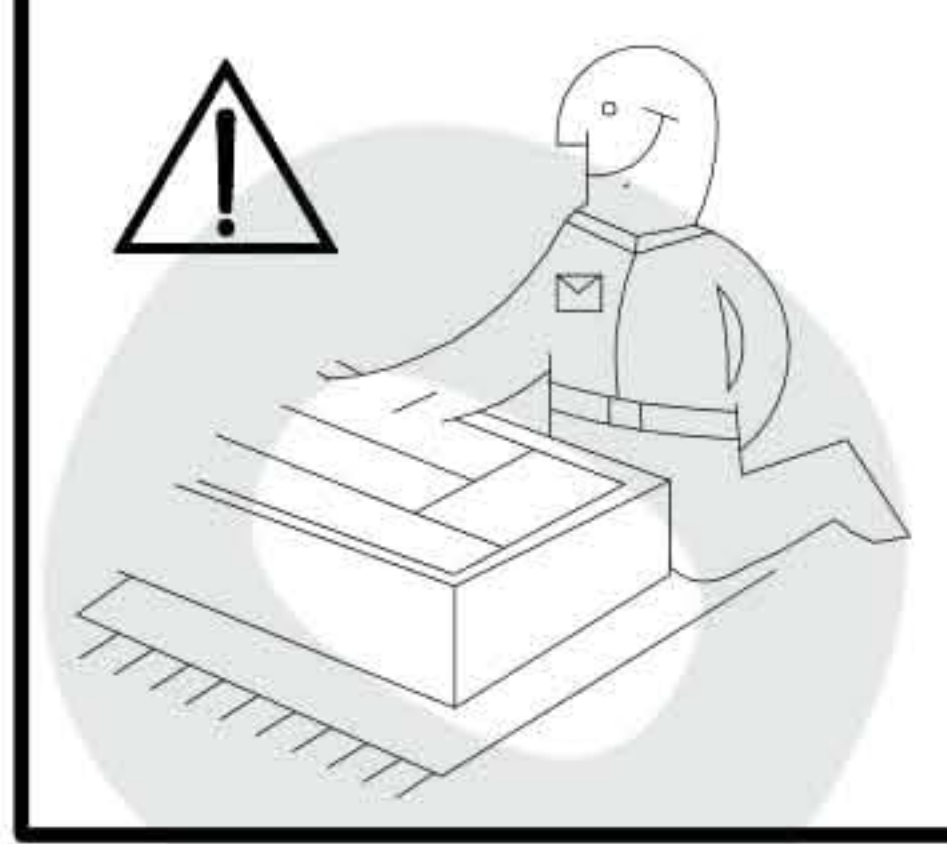
4

φ3.0x20mm	
	
P7	L
8	10

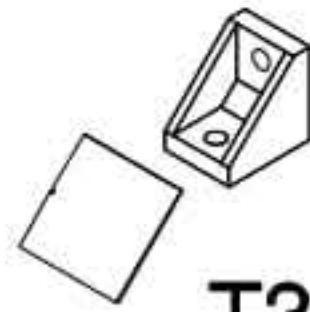



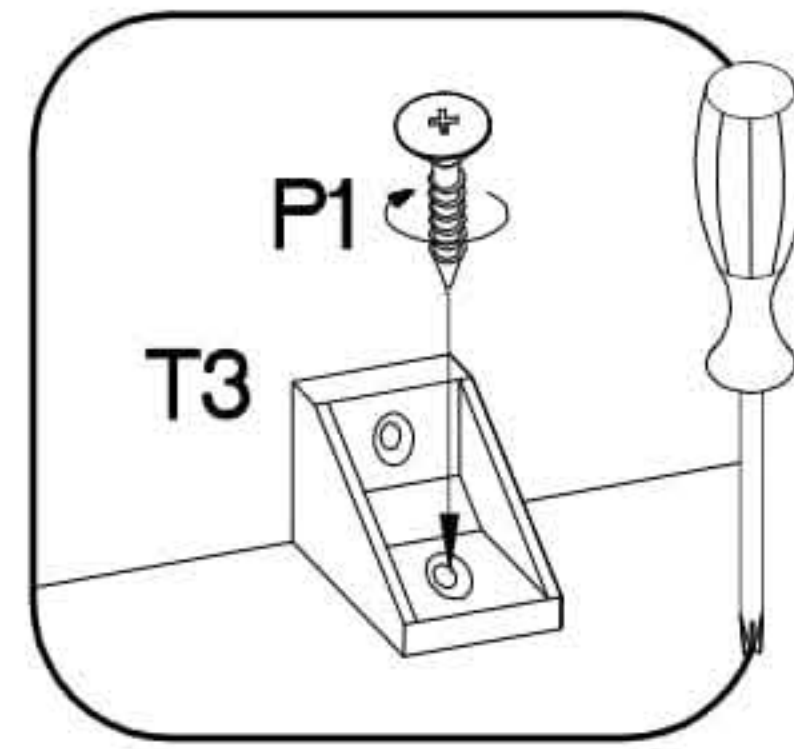
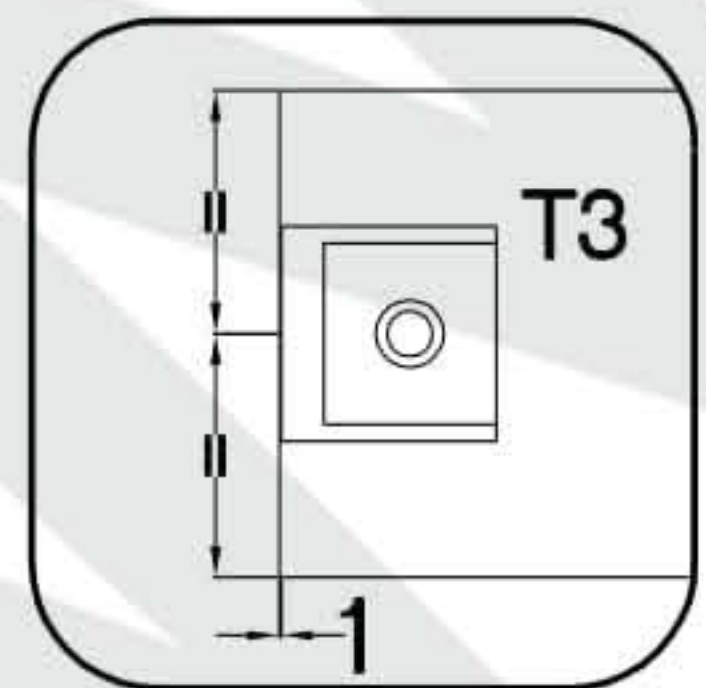
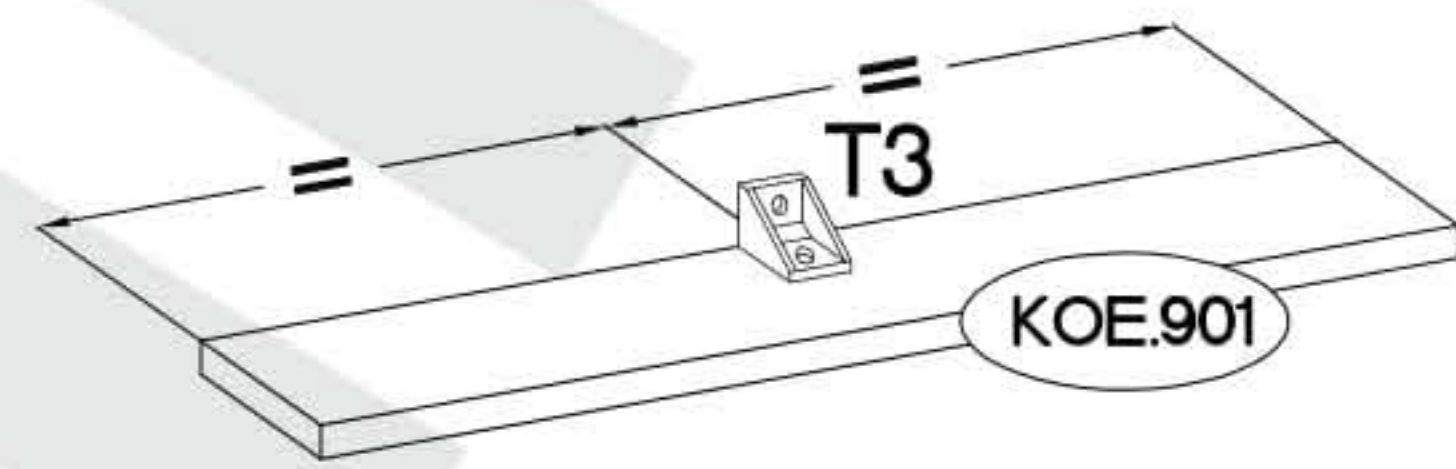
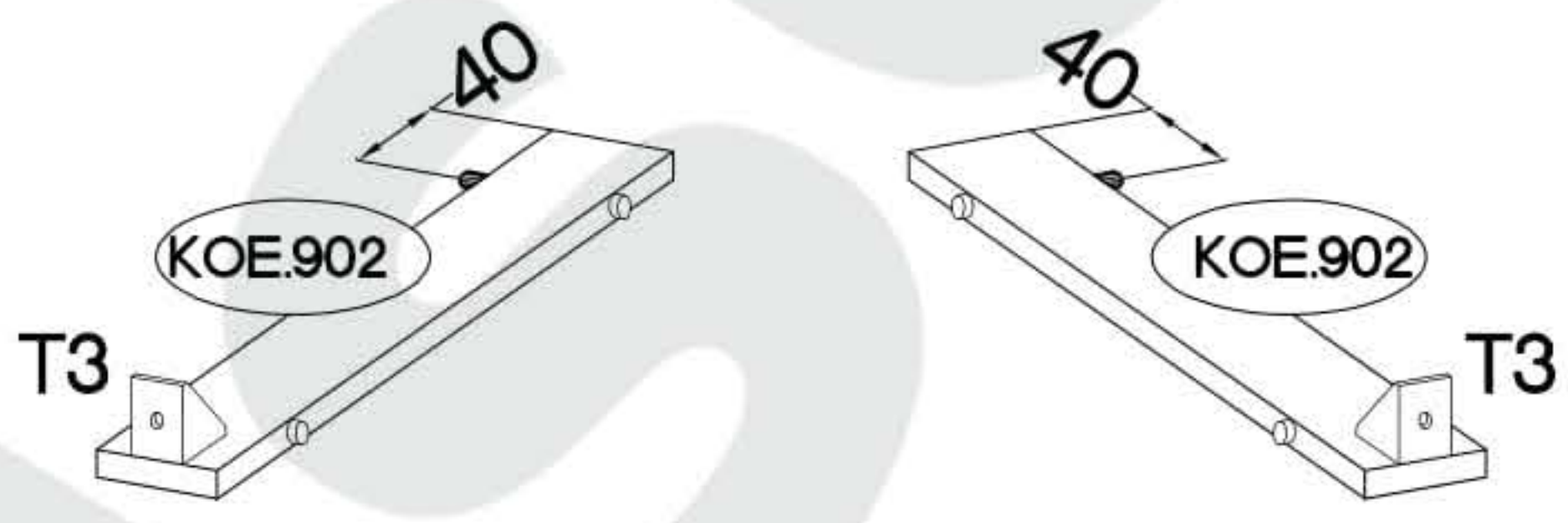
5

±15x5mm  F4 4	 O1 1	±8x30mm  A 4
--	---	---

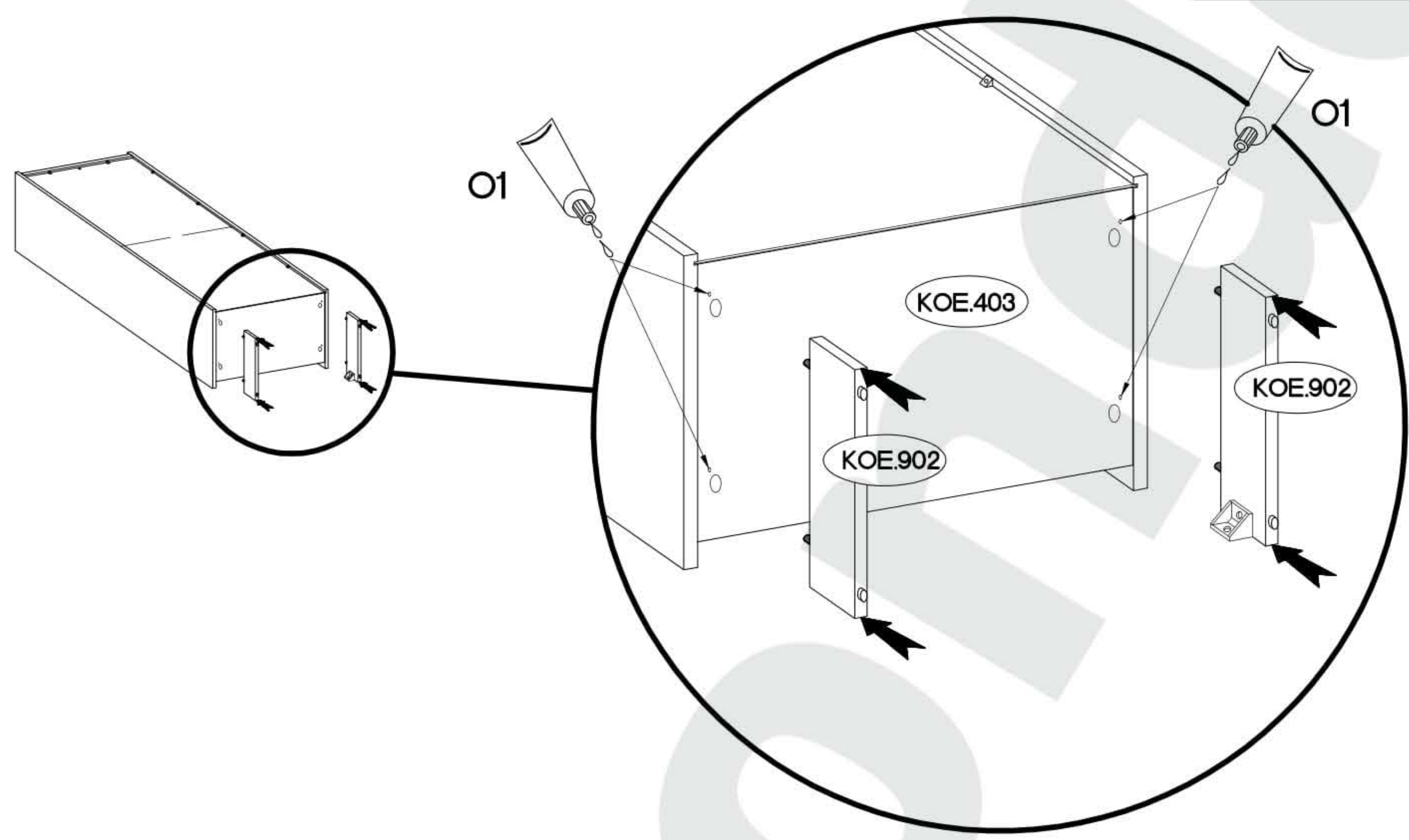
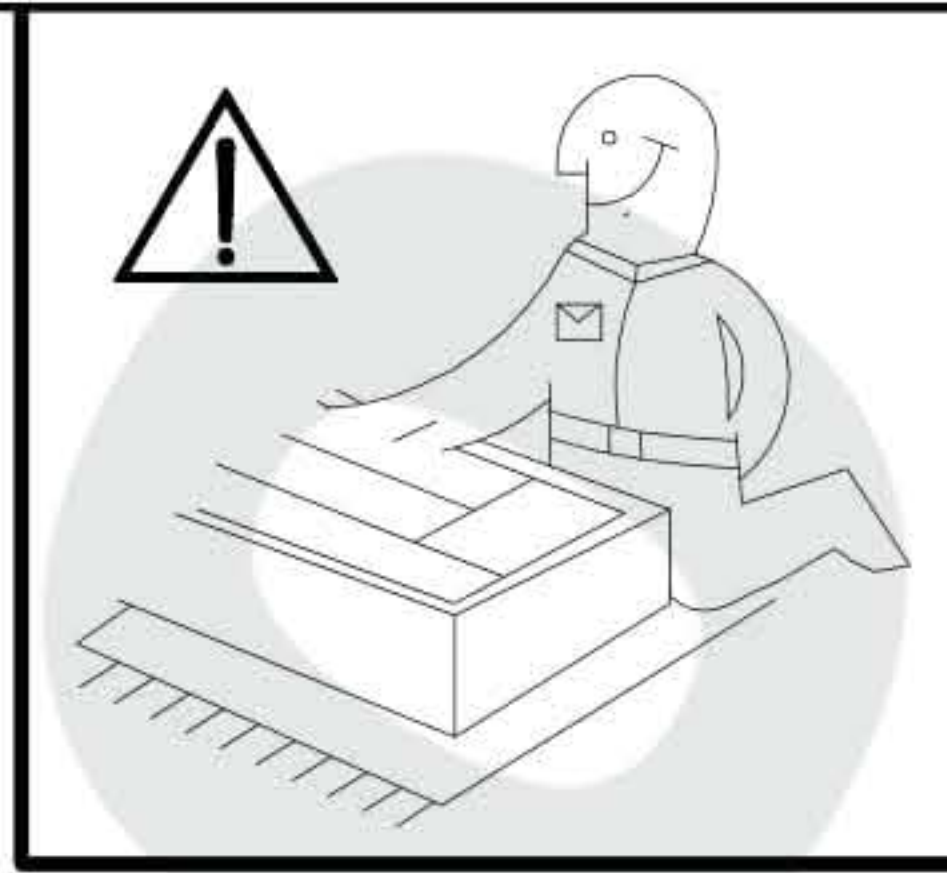
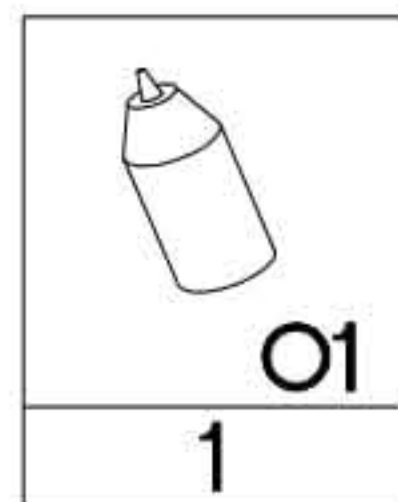


6

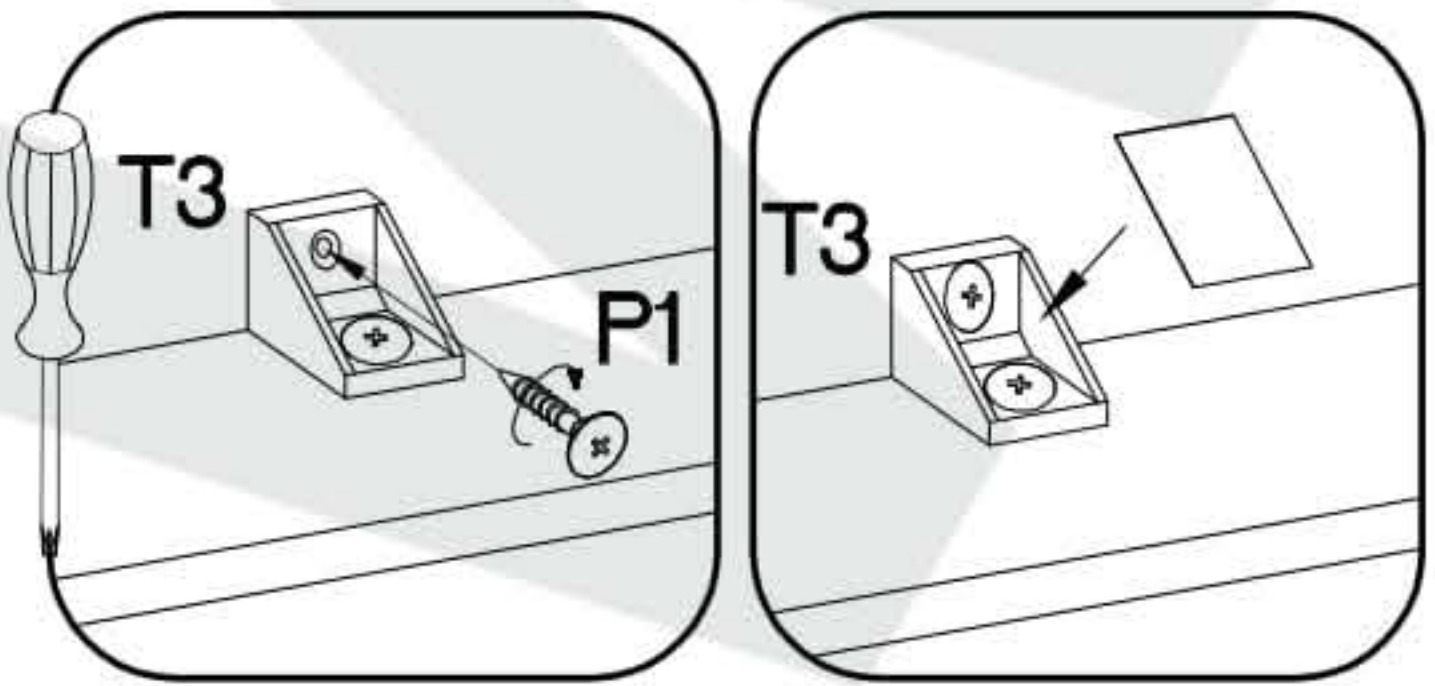
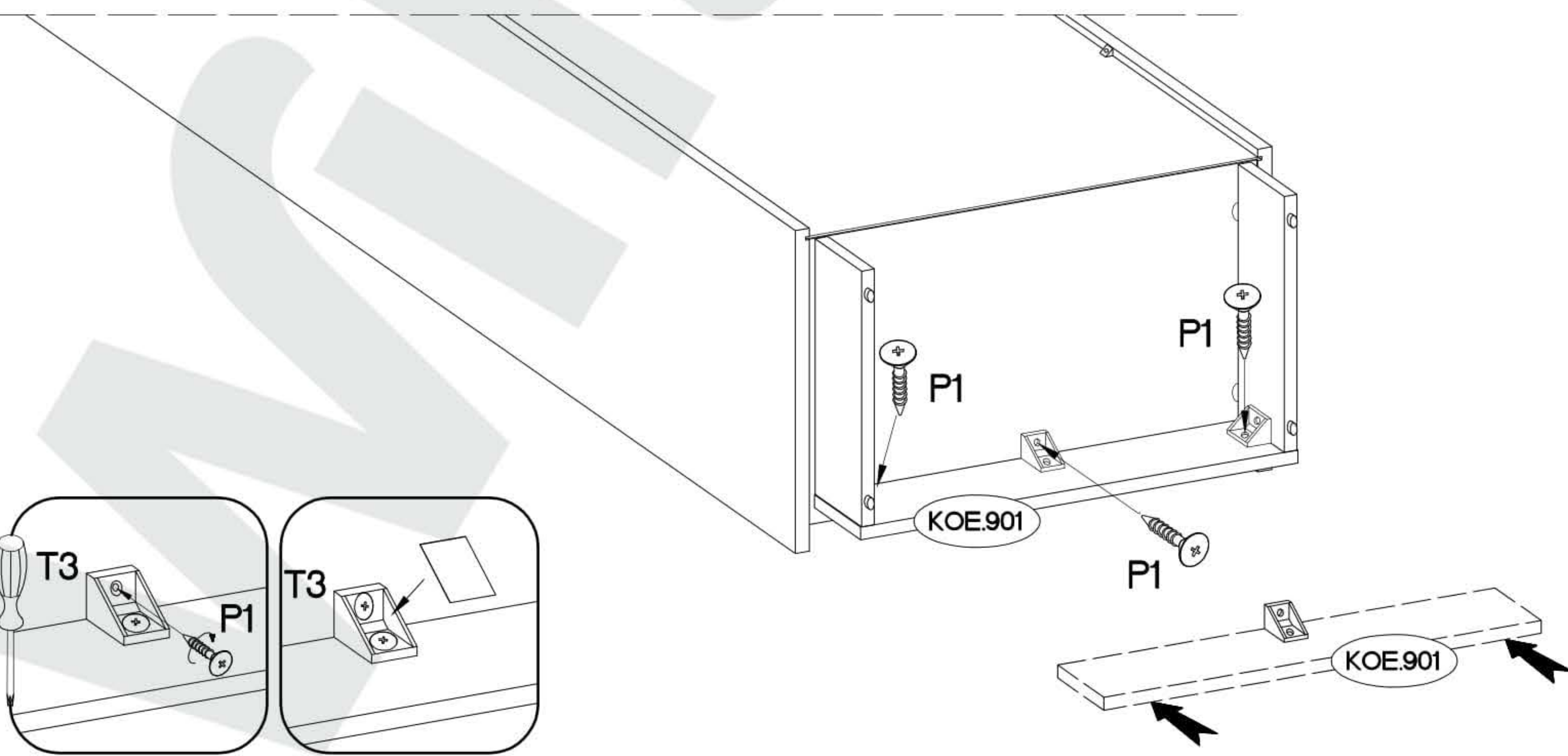
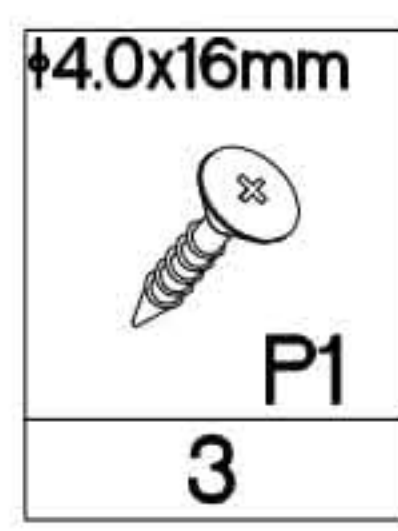
 T3 3	±4.0x16mm  P1 3
--	---

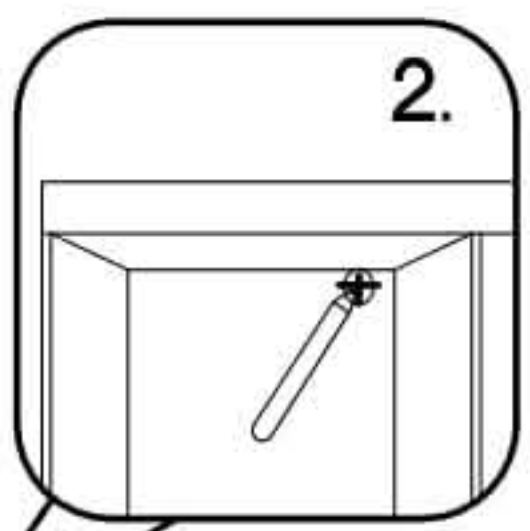





7

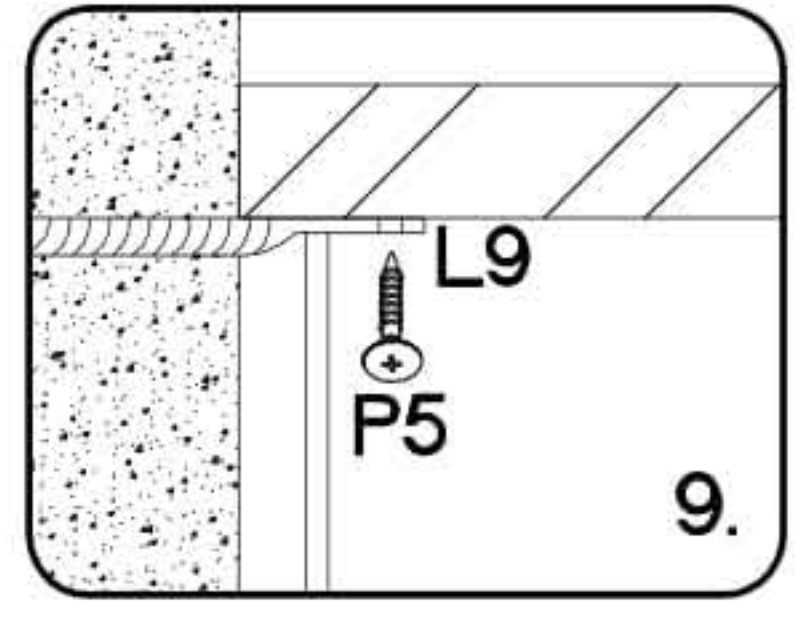
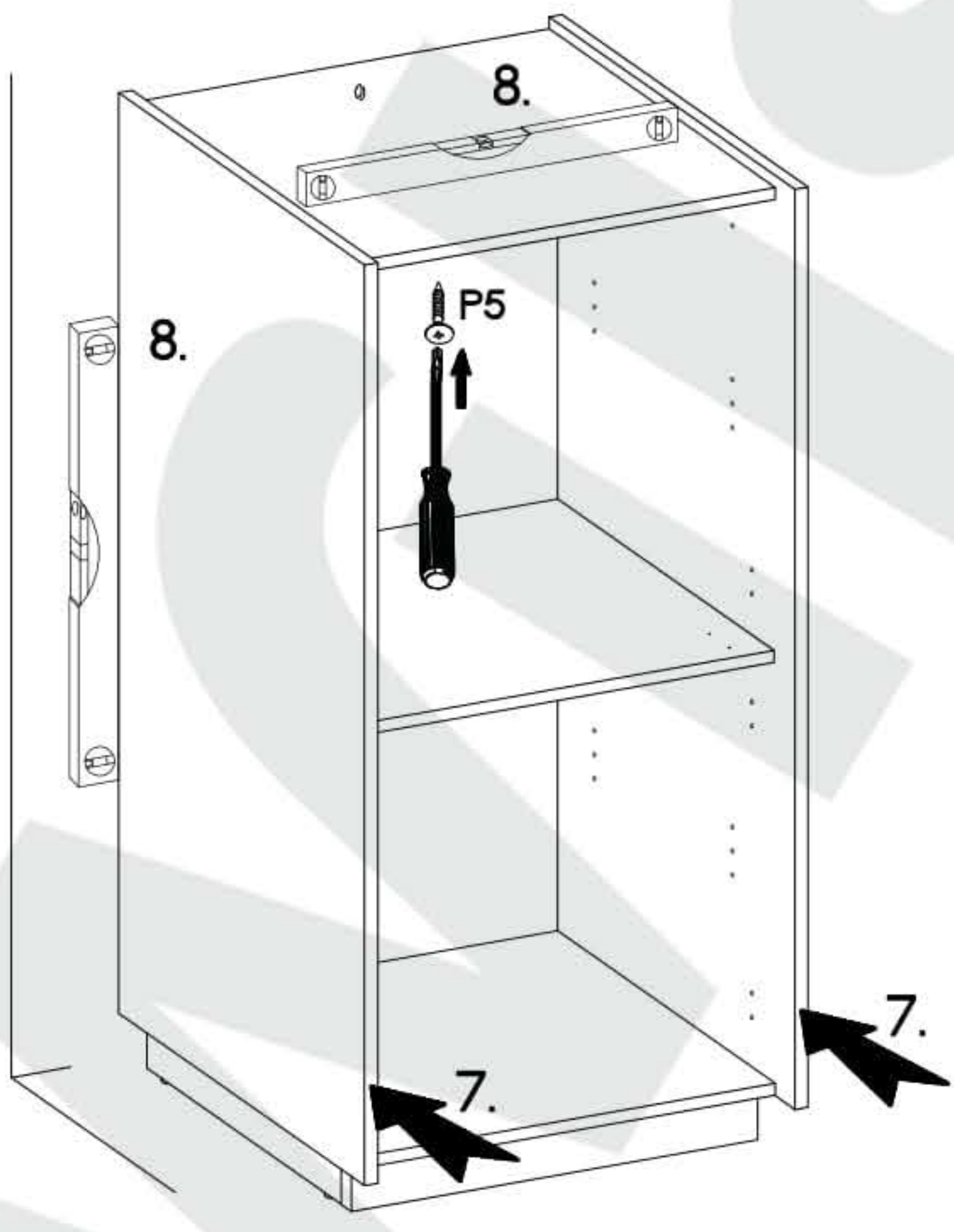
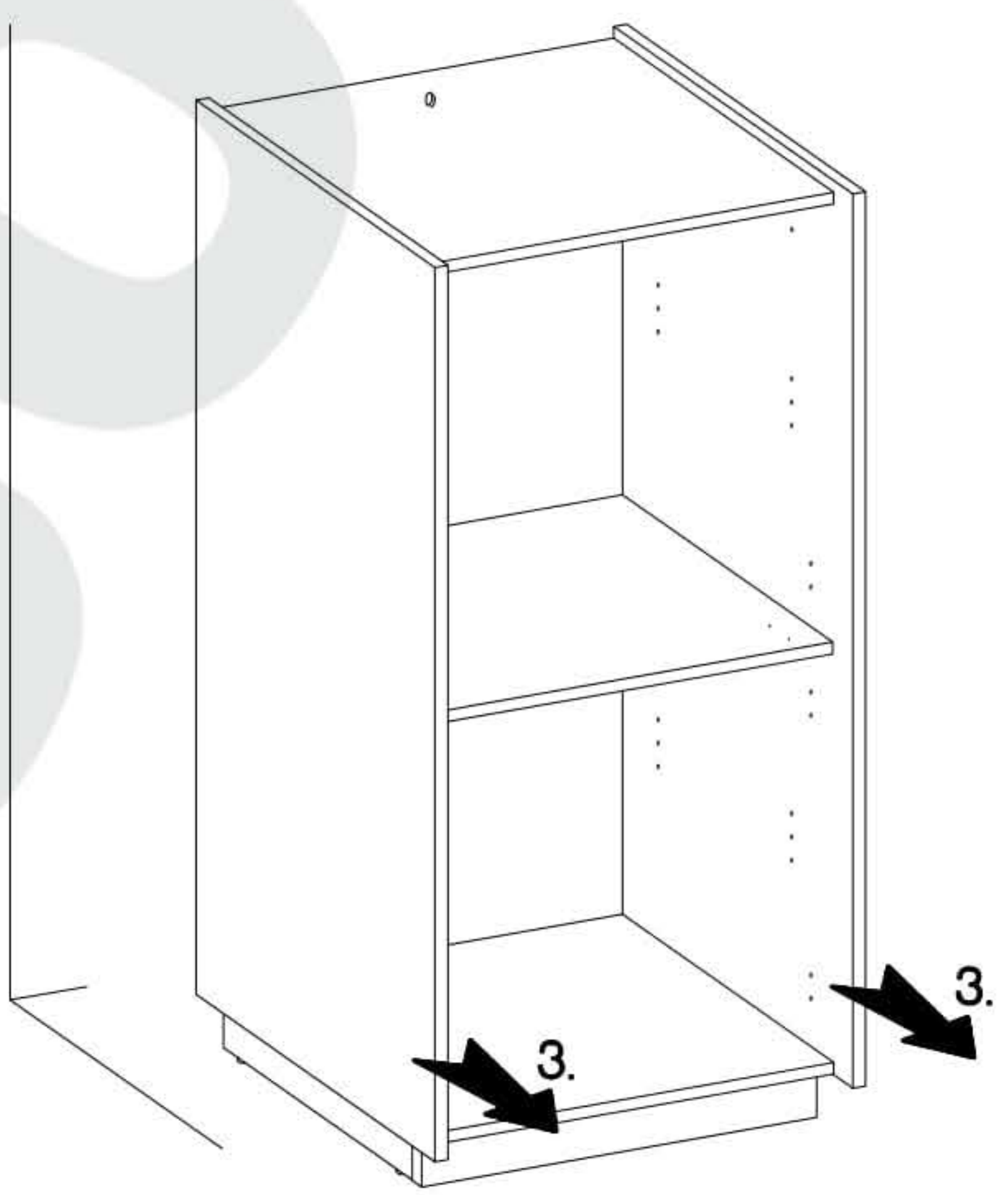
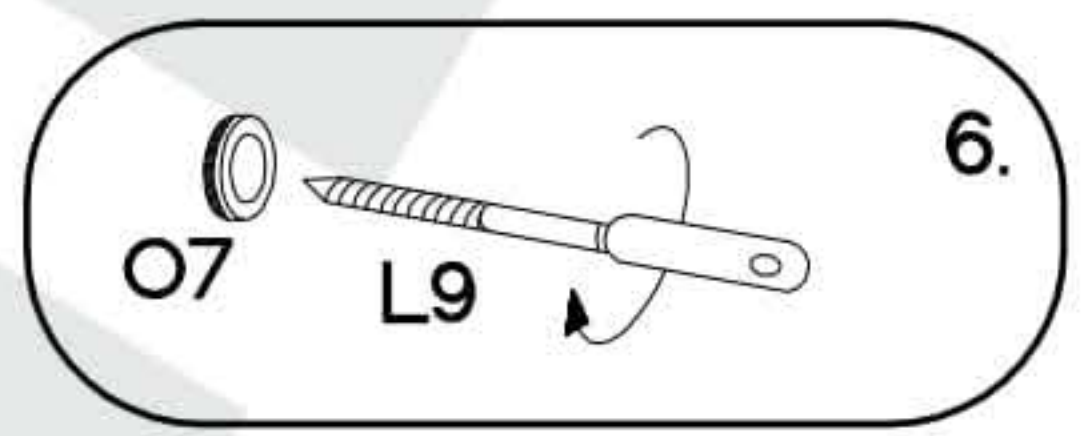
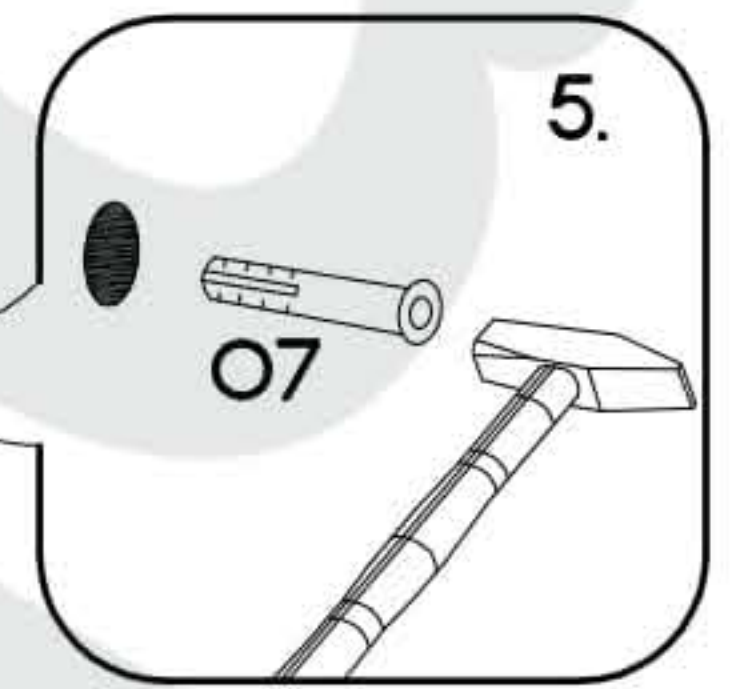
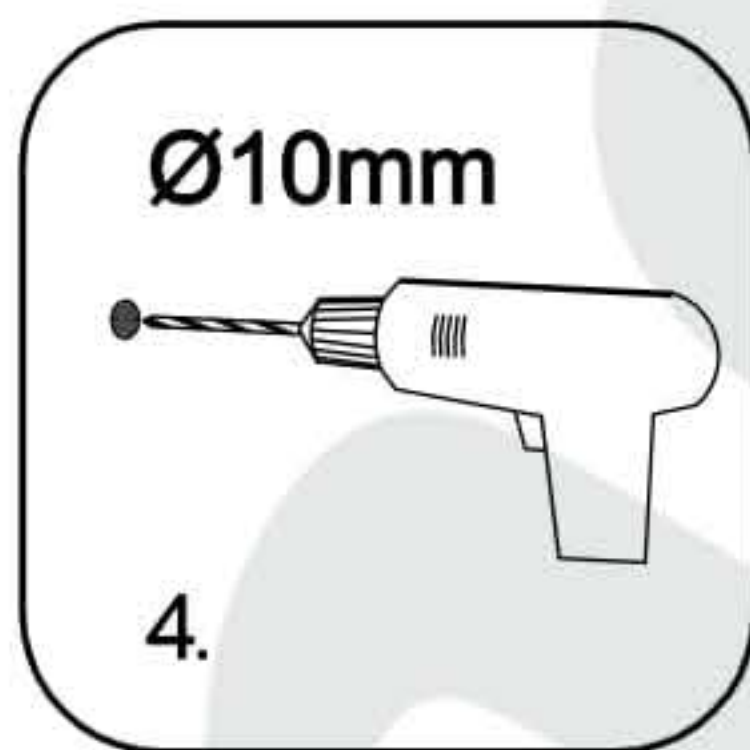
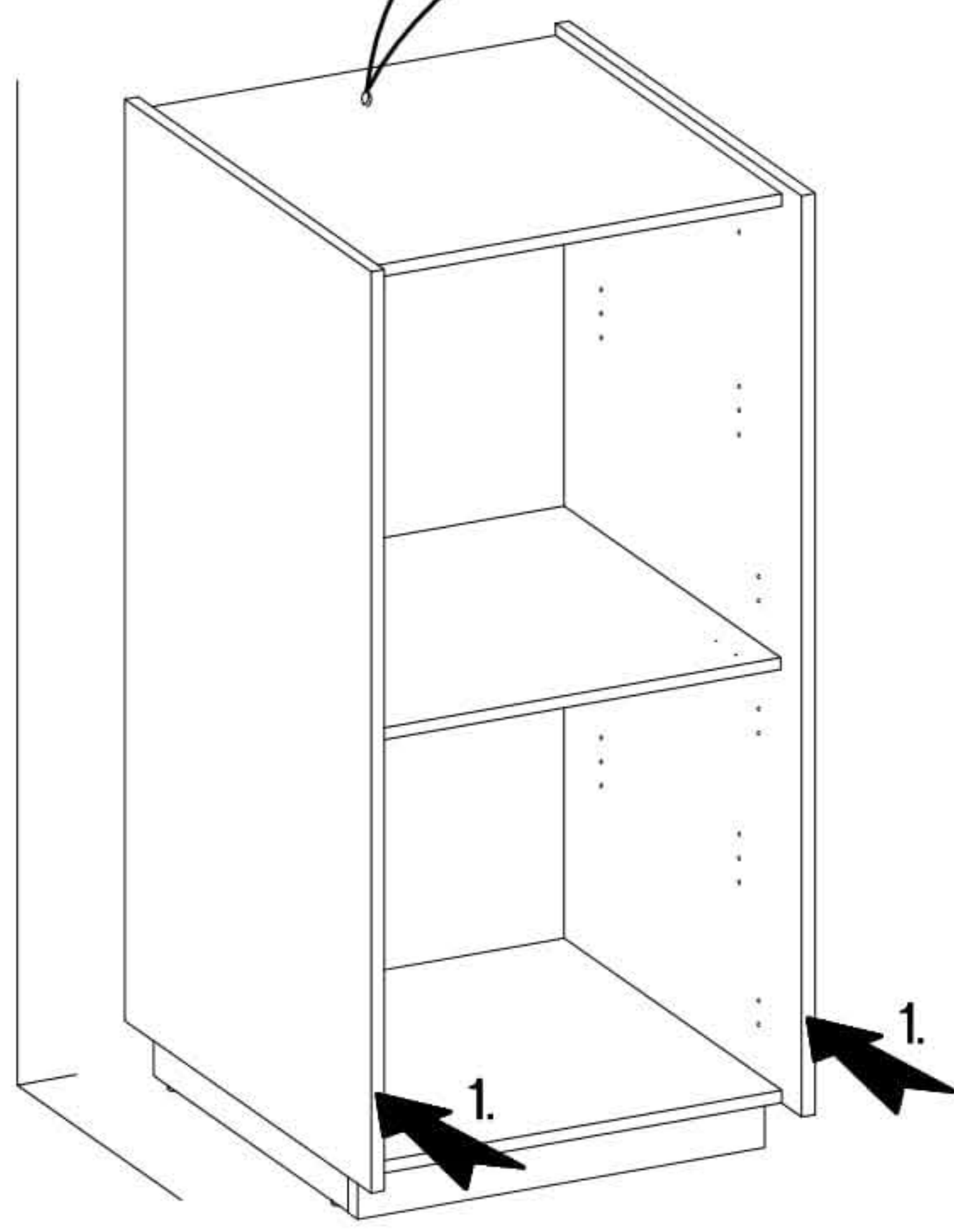
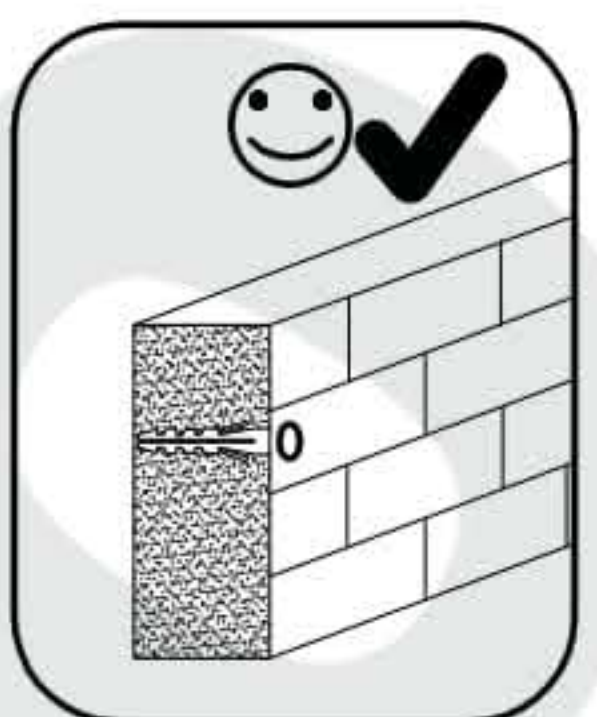
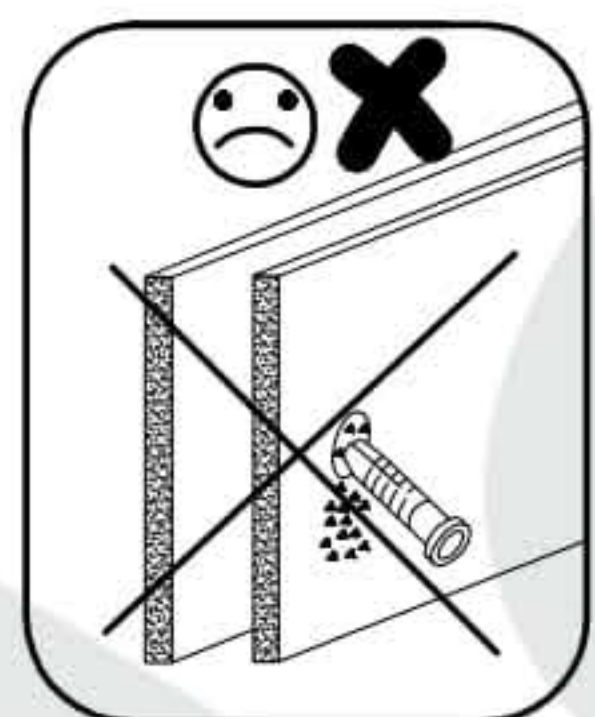


8

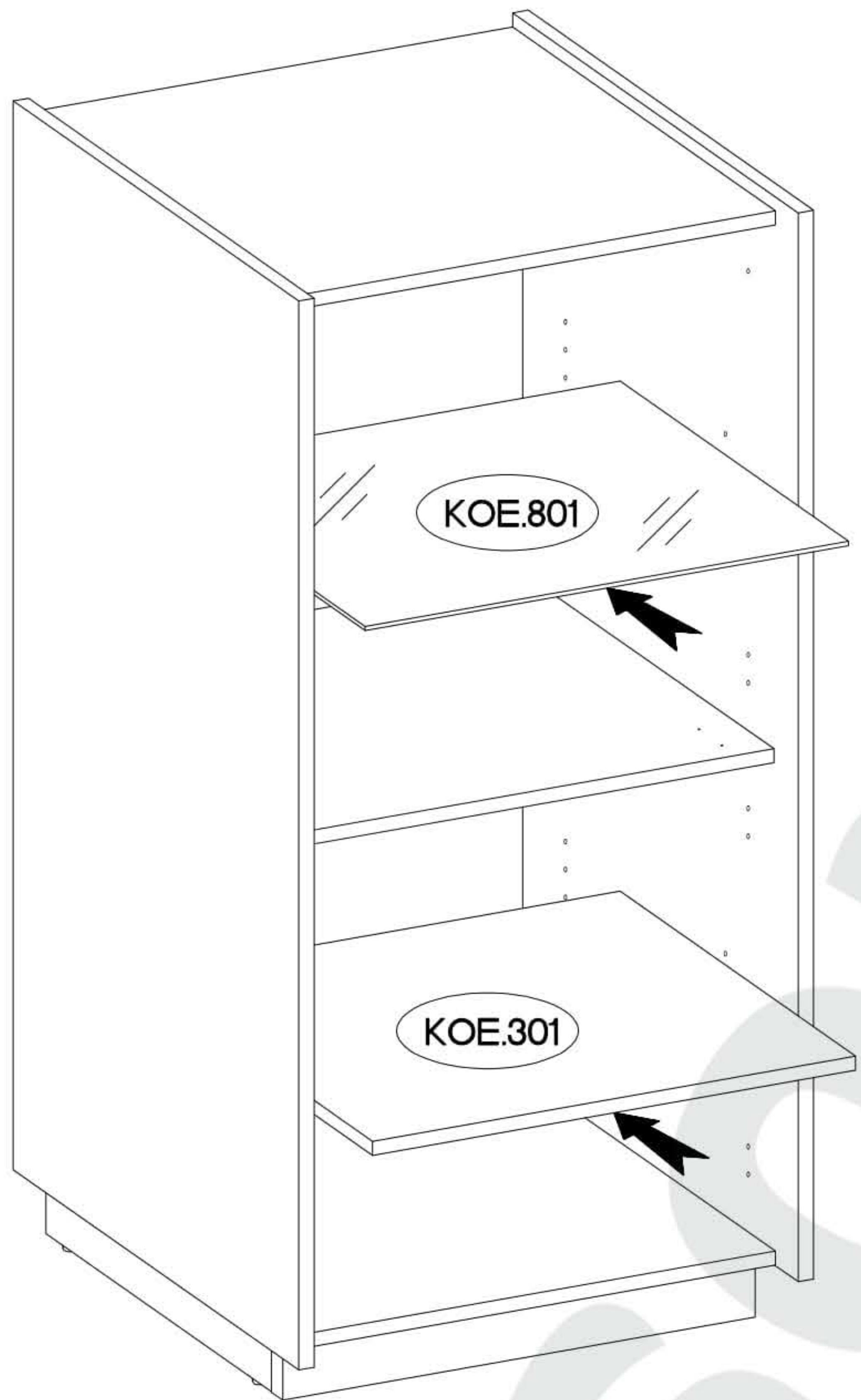







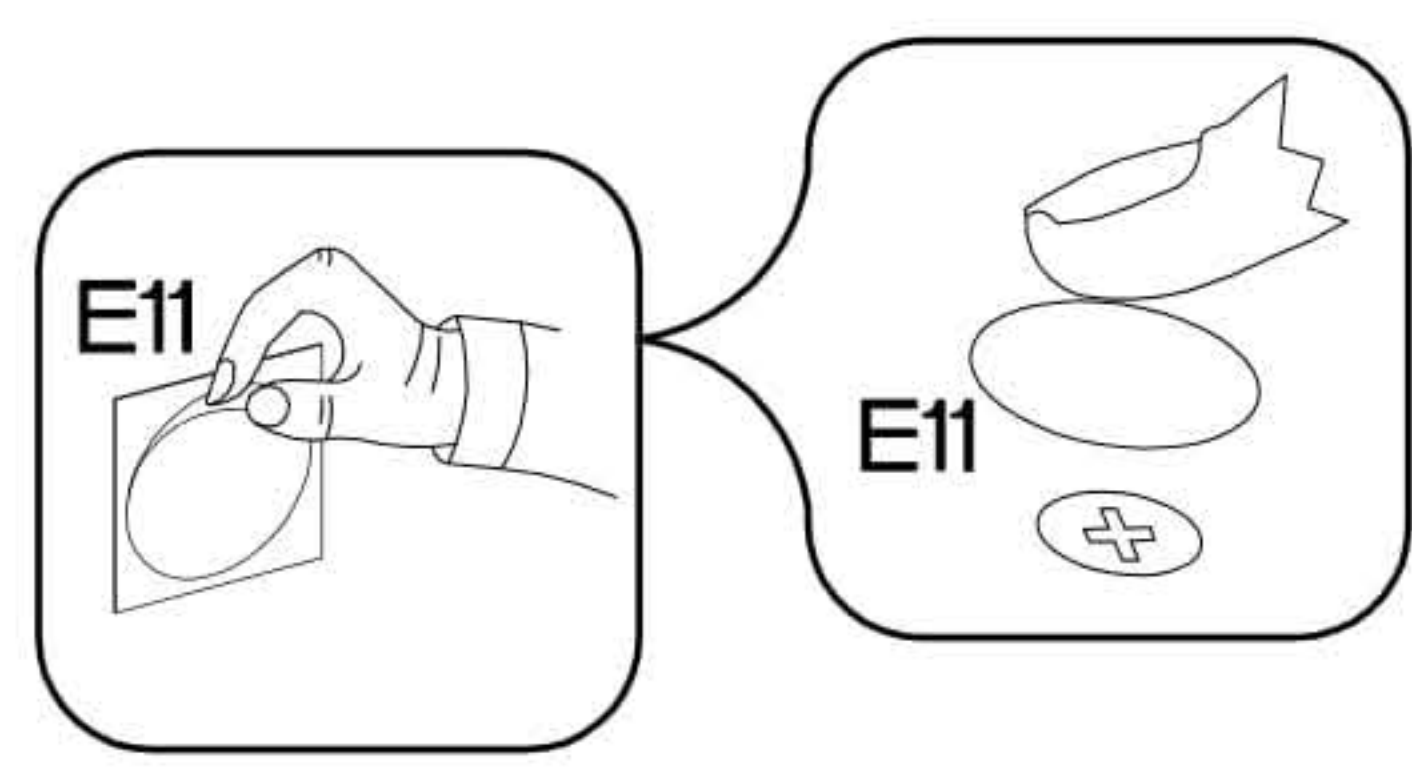
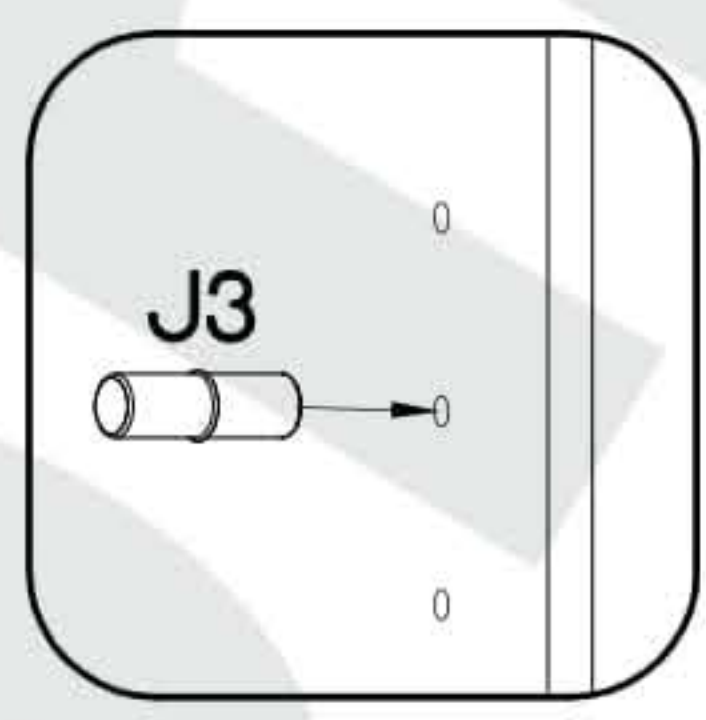
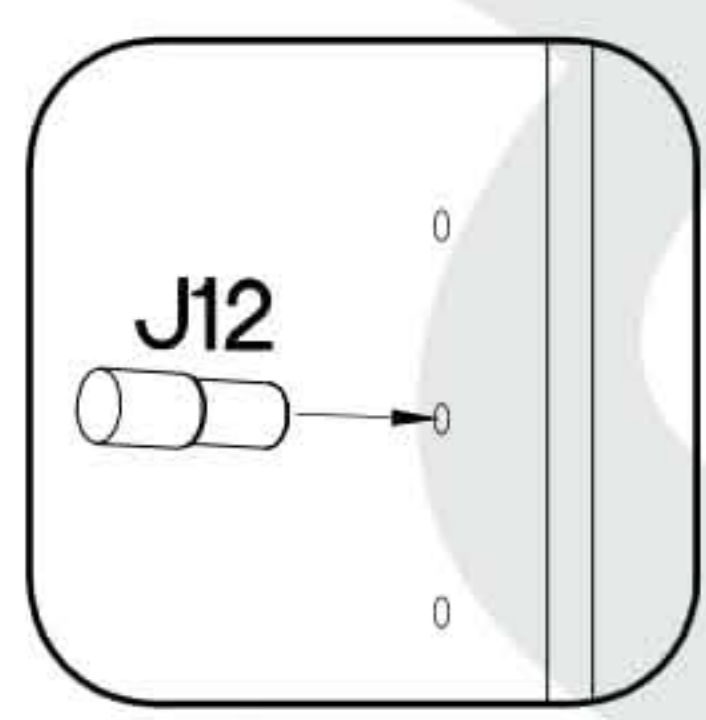
†10x50mm  O7 1	 L9 1	†3.5x13mm  P5 1
---	--	--

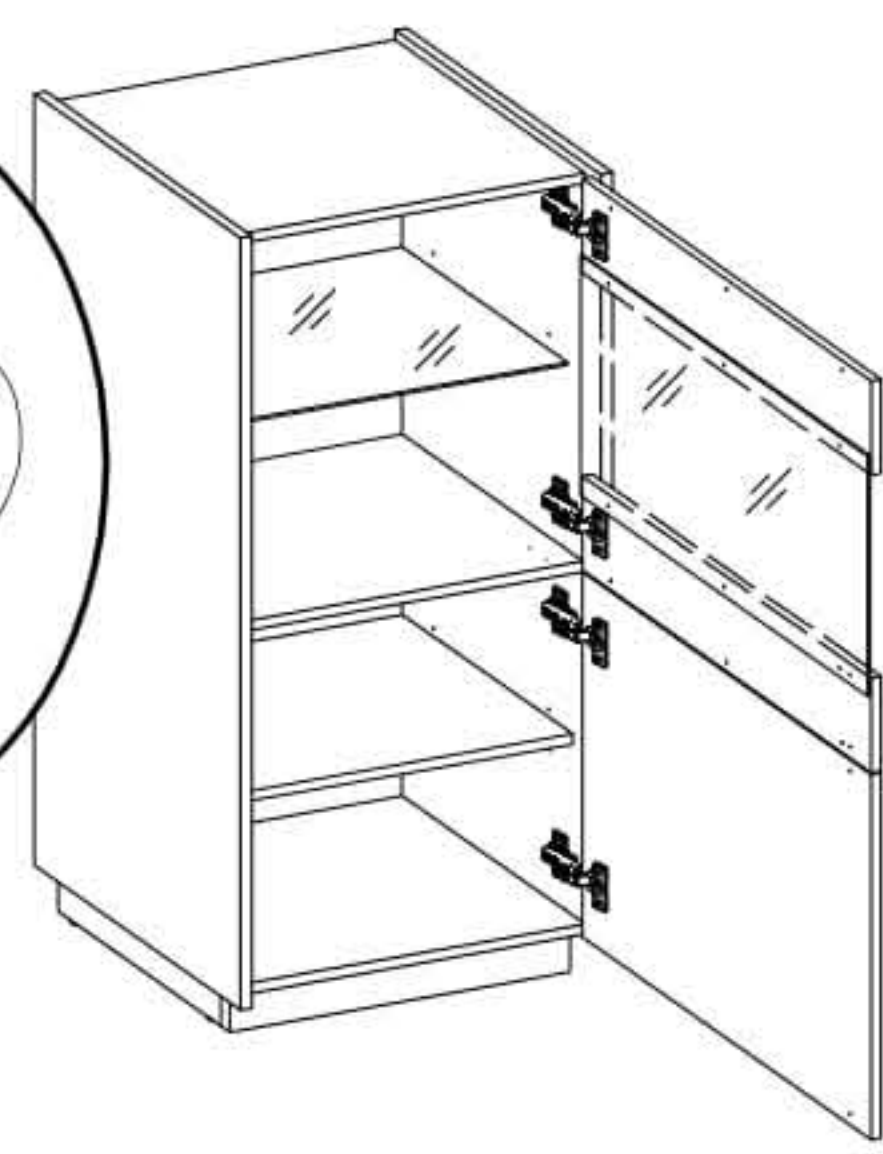
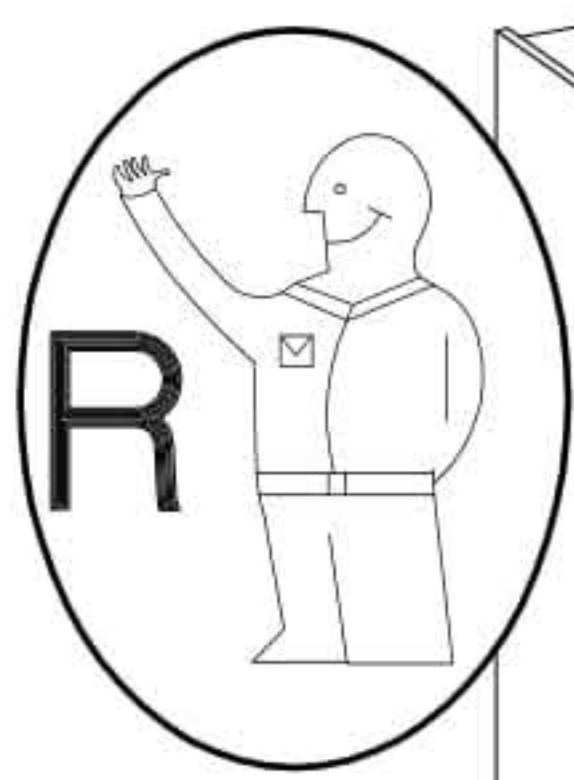




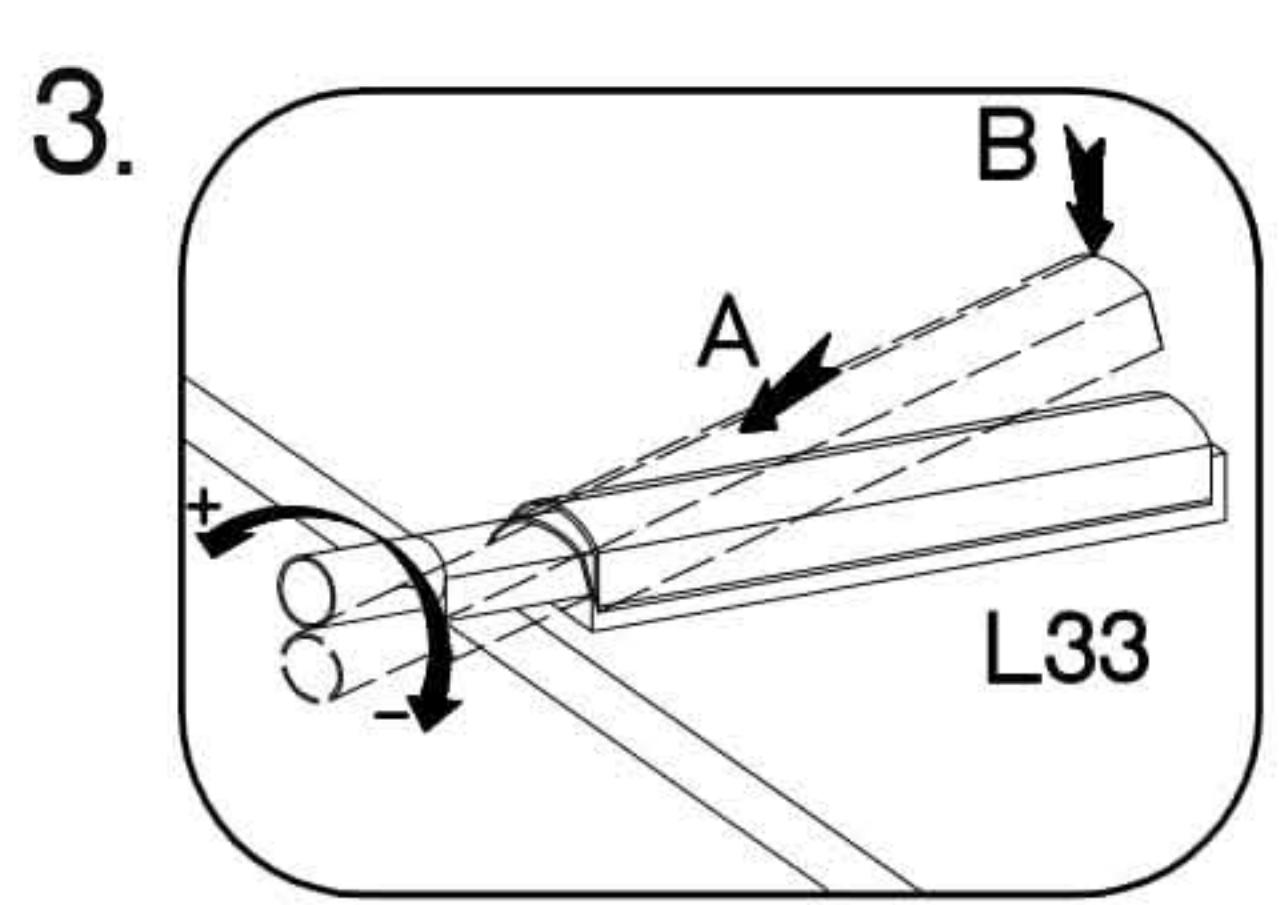
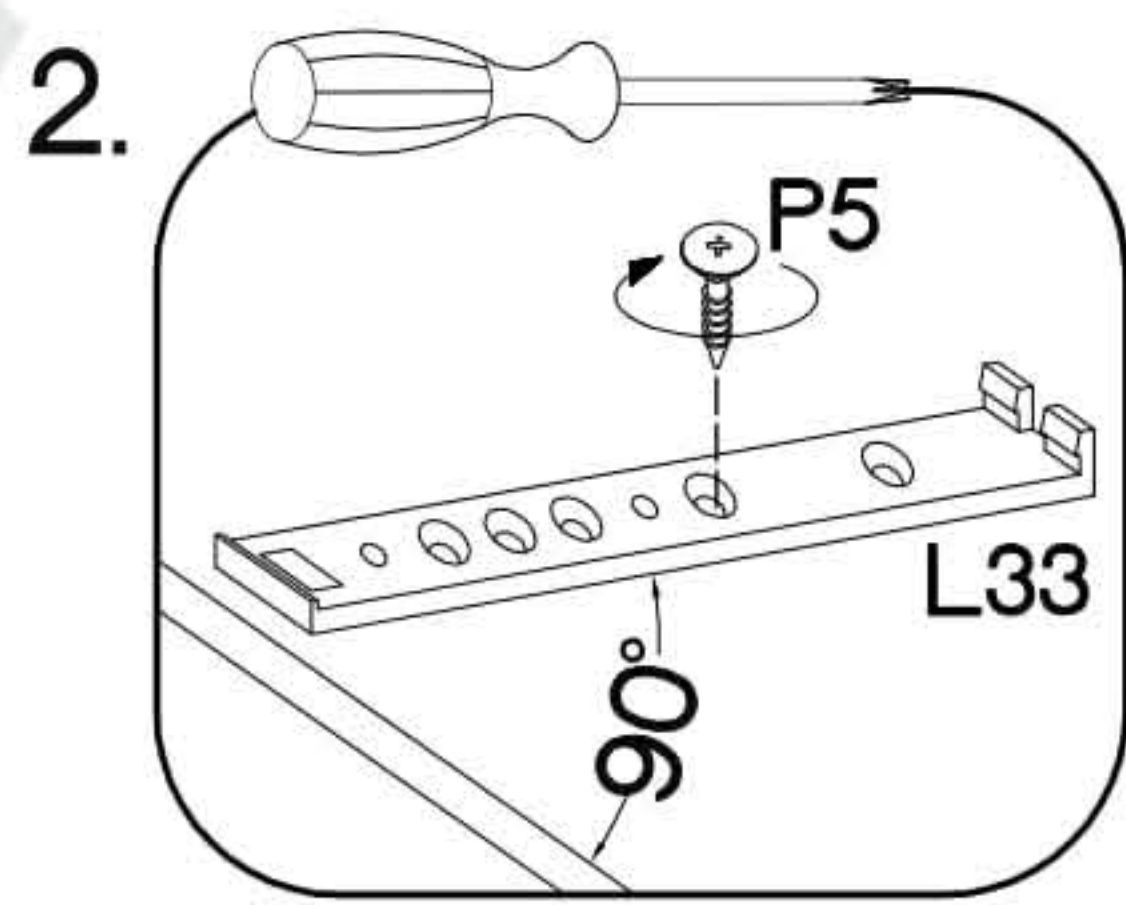
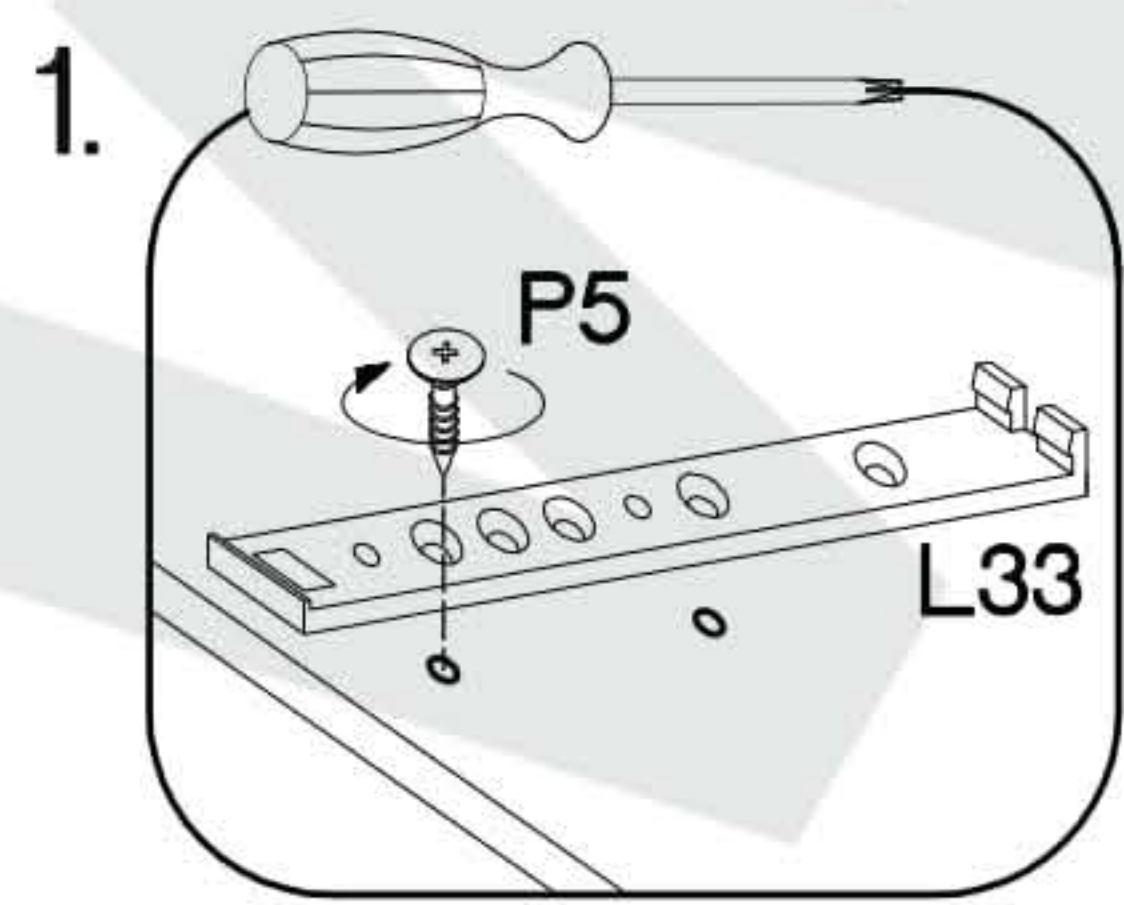
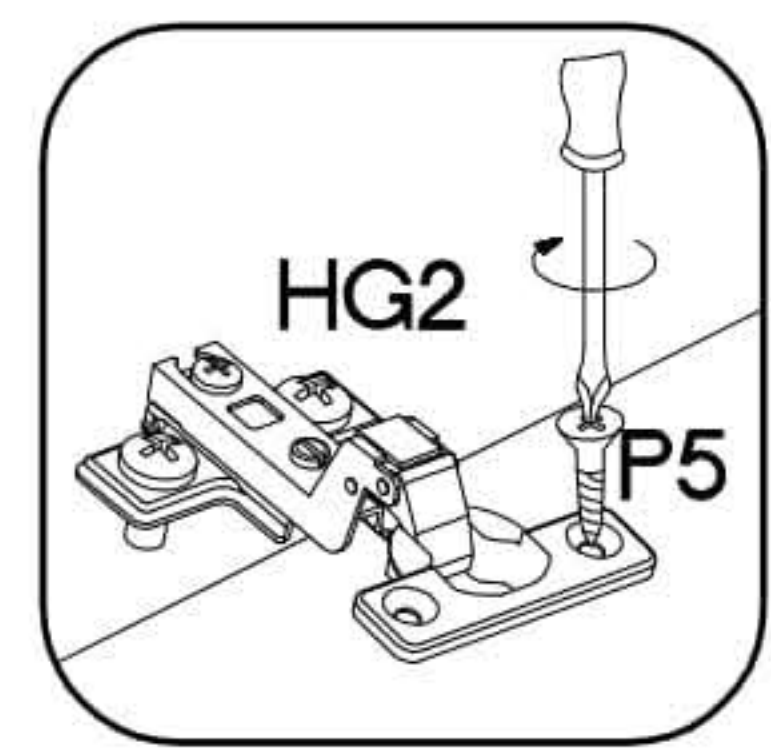
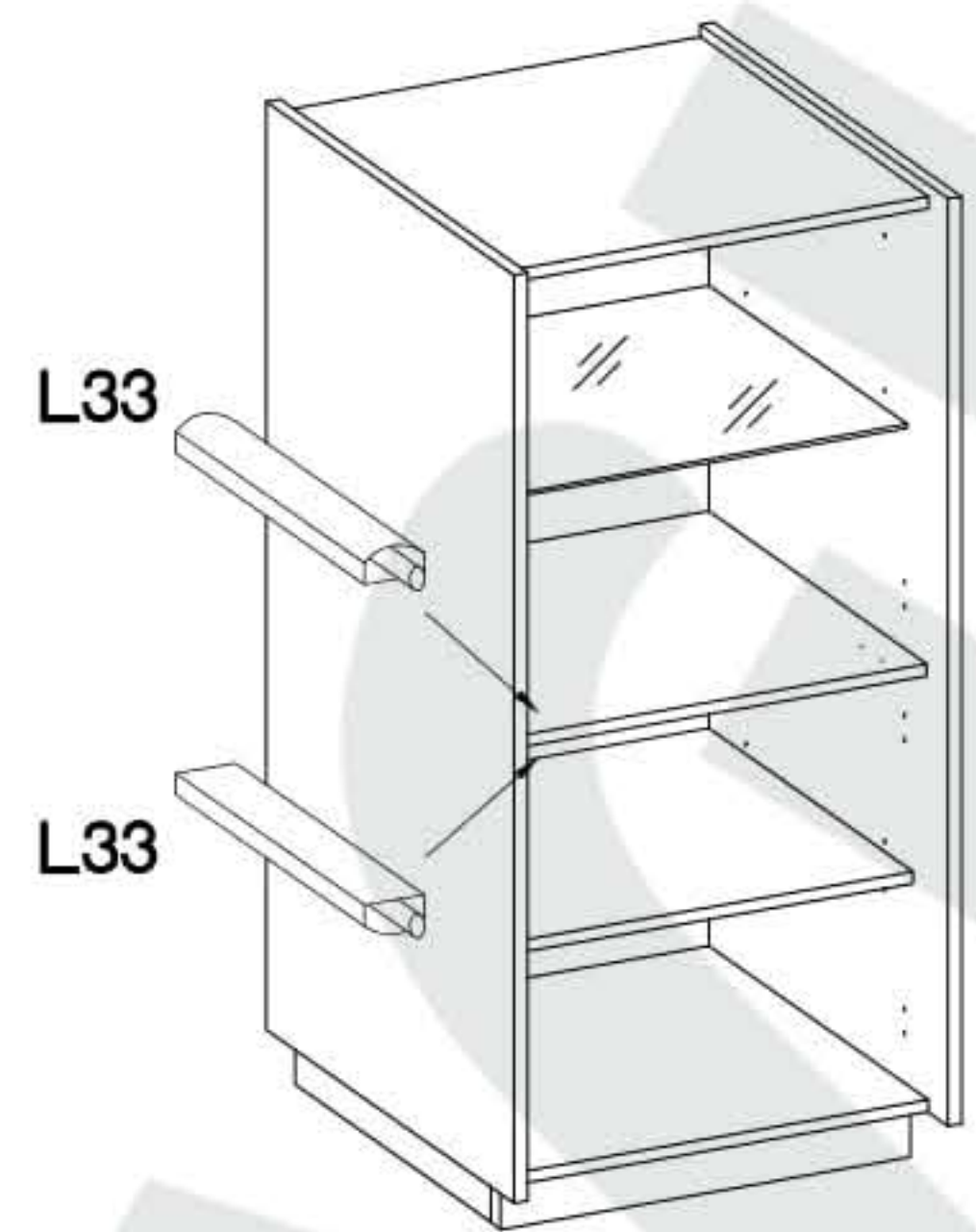
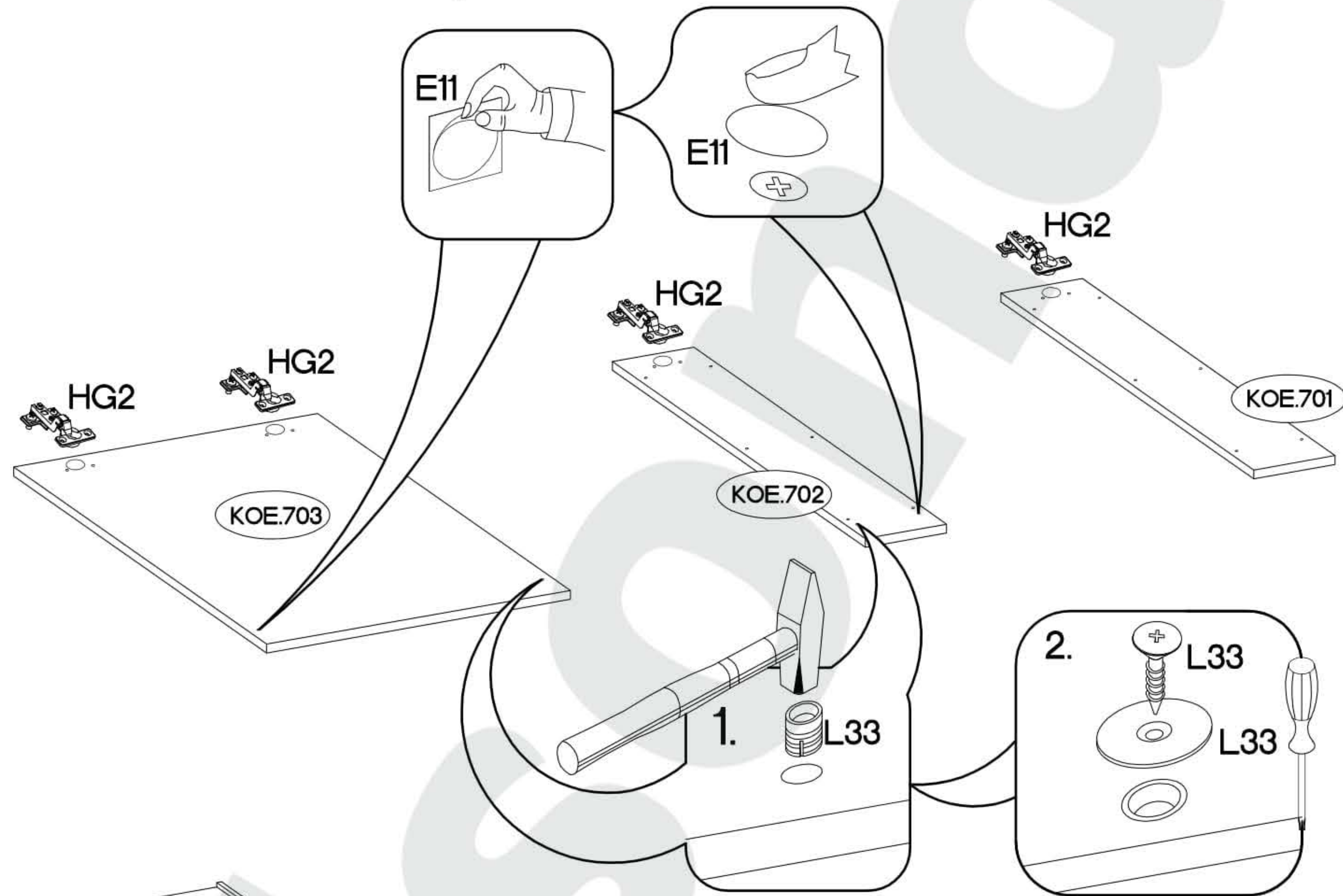




 J12 4	 +5/16mm J3 4	 +20 orz. E11 8
---	---	---

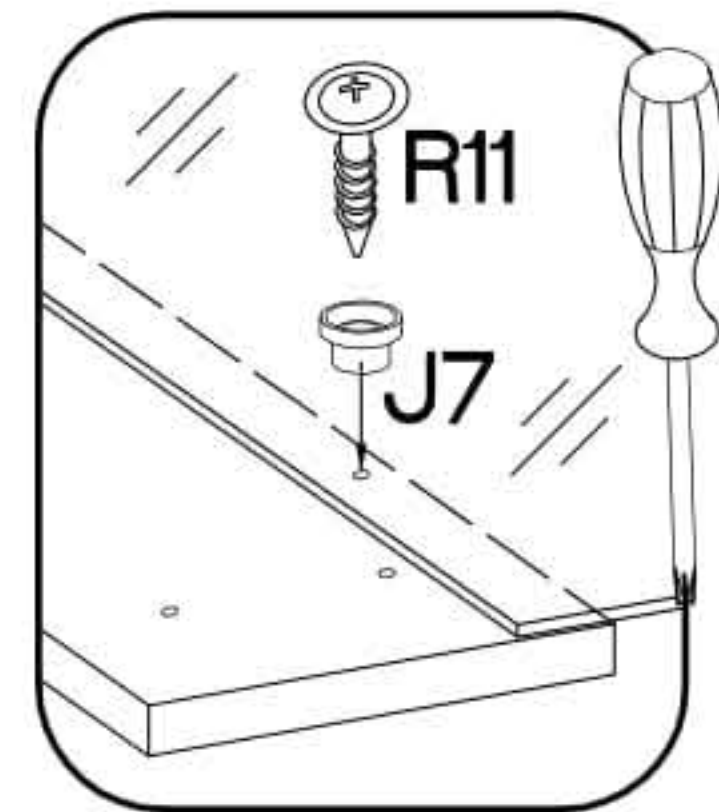
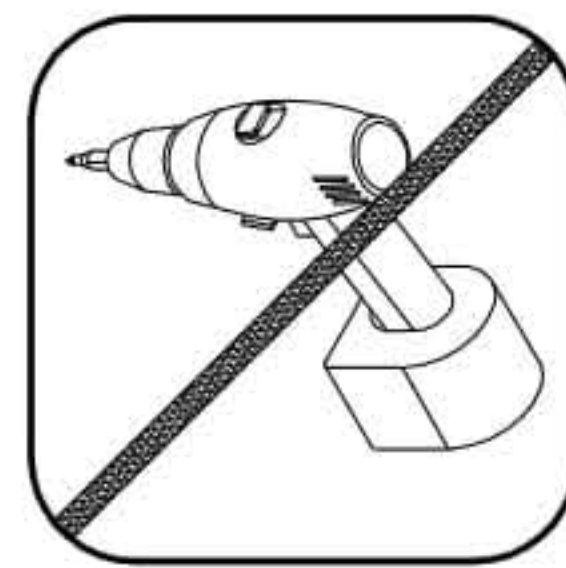
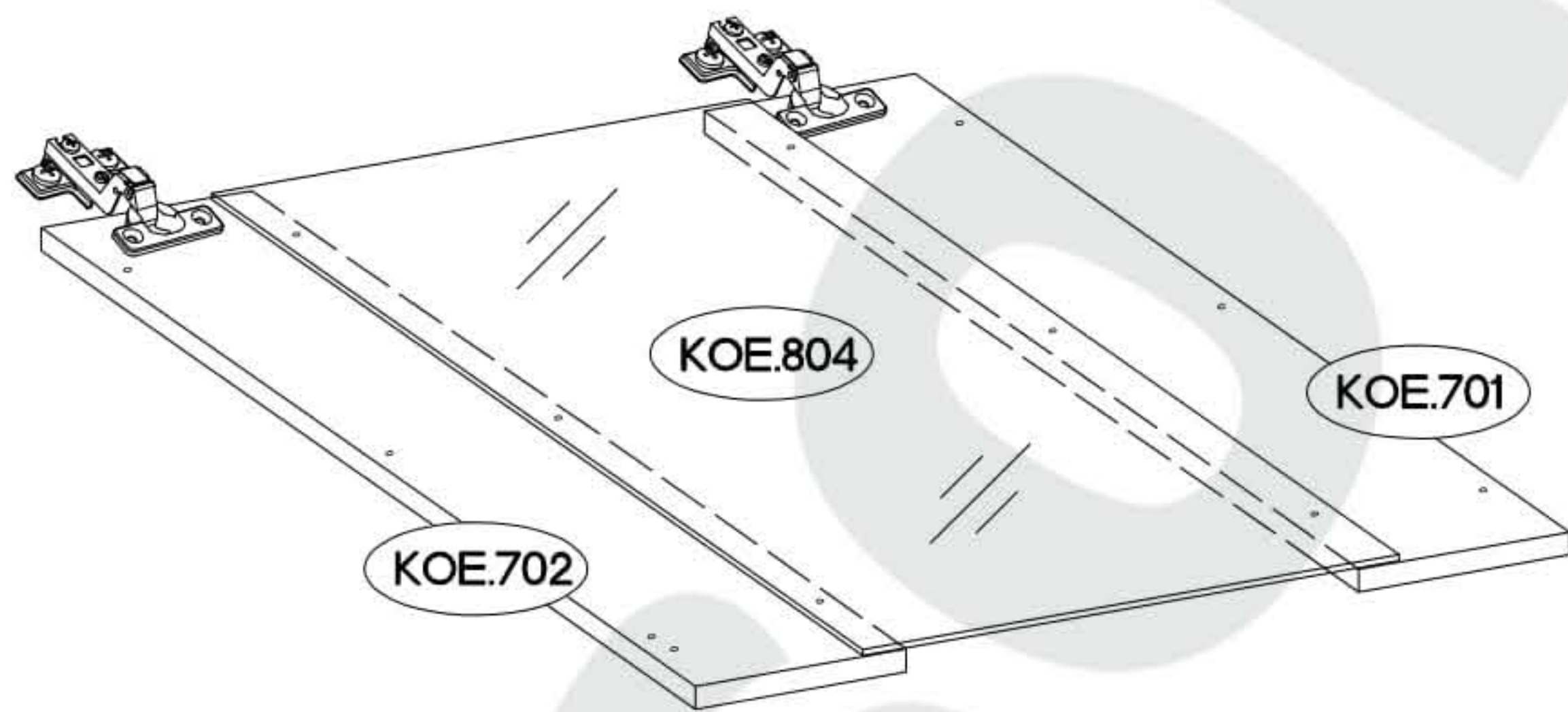
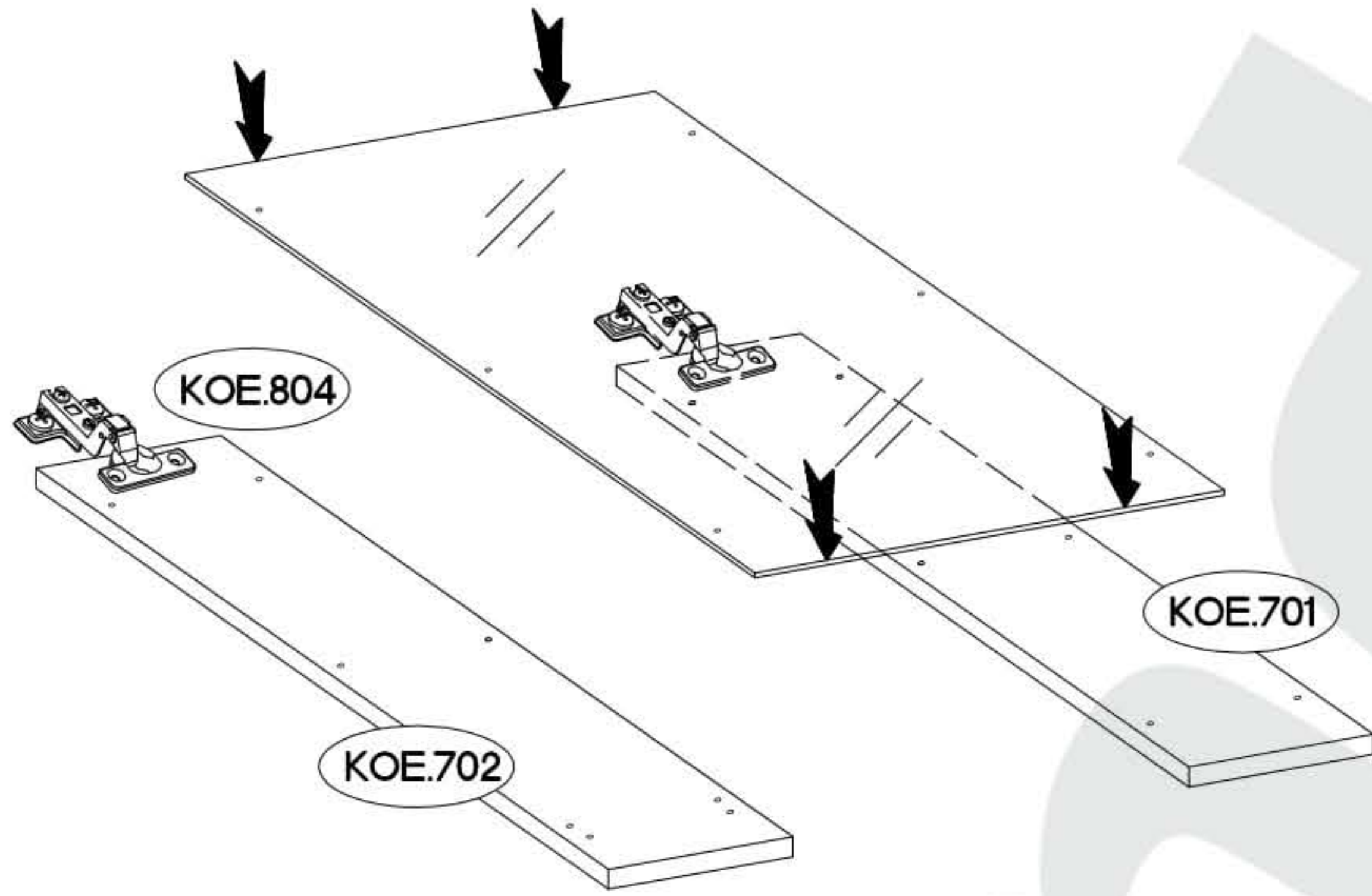


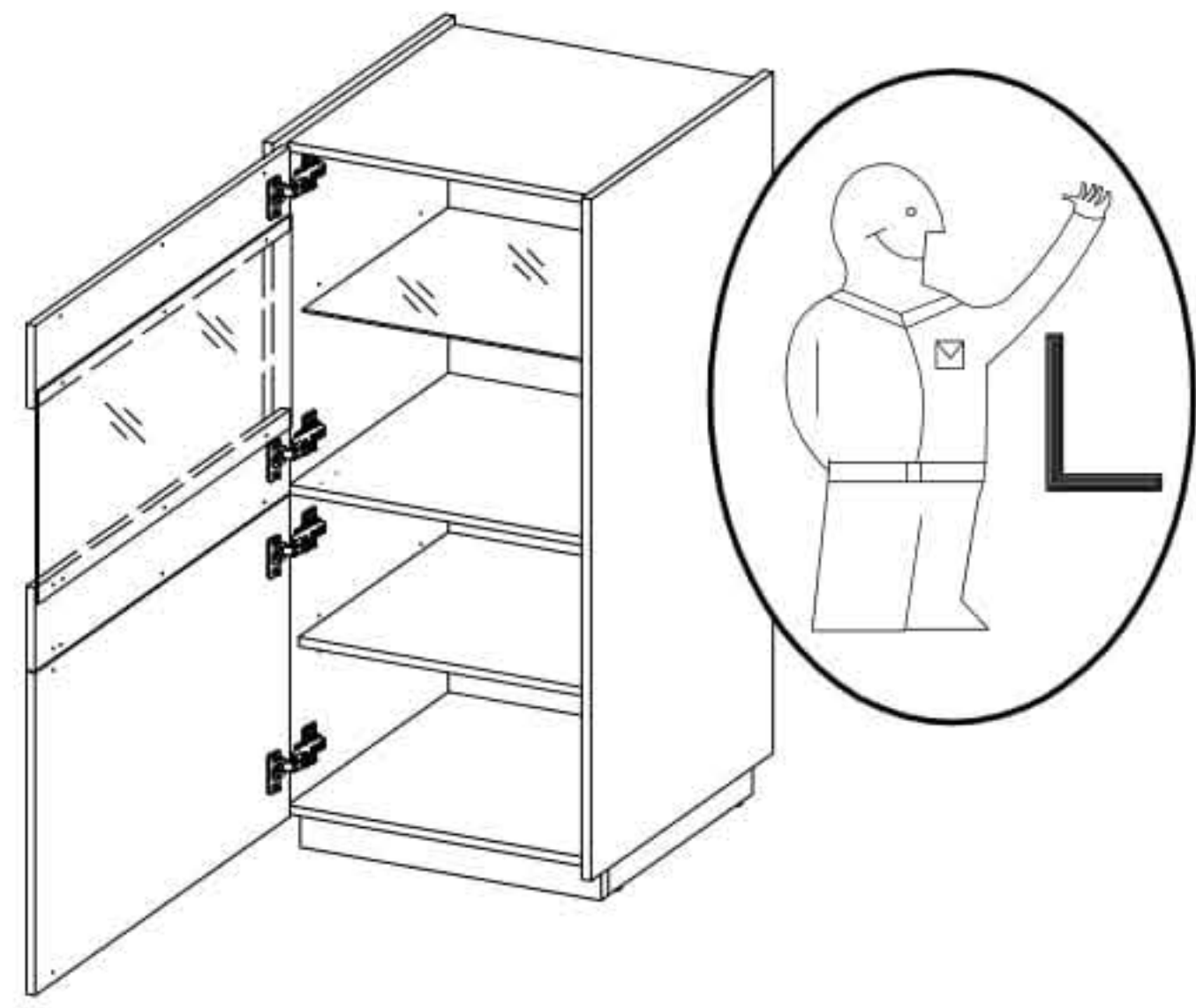


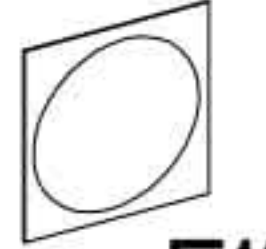
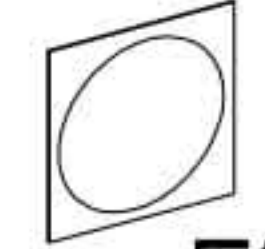
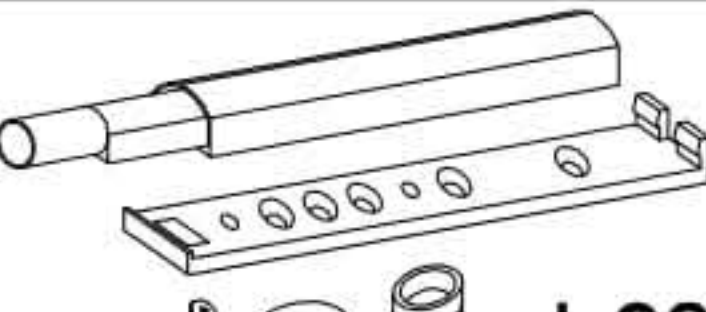


$\varnothing 20$ 	$\varnothing 20$ 		$\varnothing 35/16\text{mm}$ 	$\varnothing 3.5 \times 13\text{mm}$ 
orz. E11	beż E11	L33	HG2	P5
1	1	2	4	12

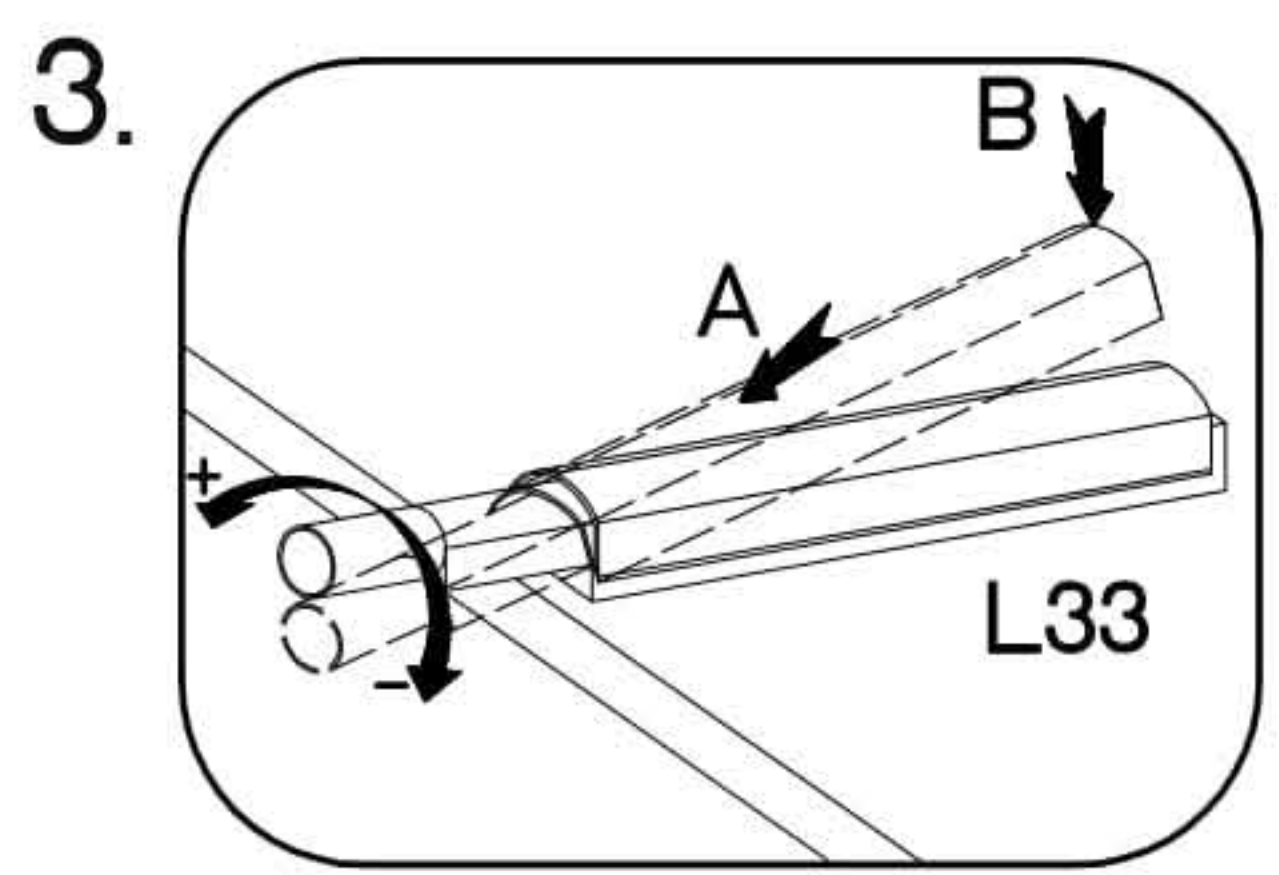
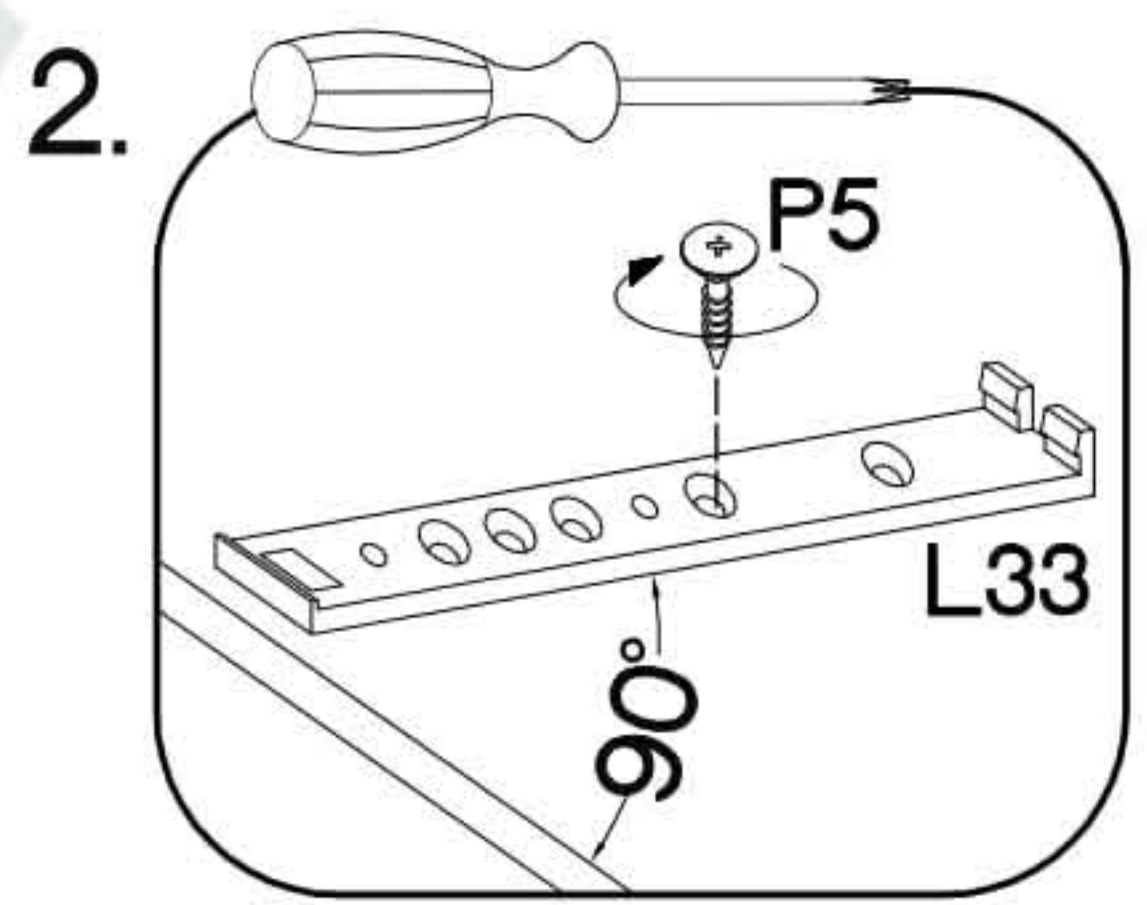
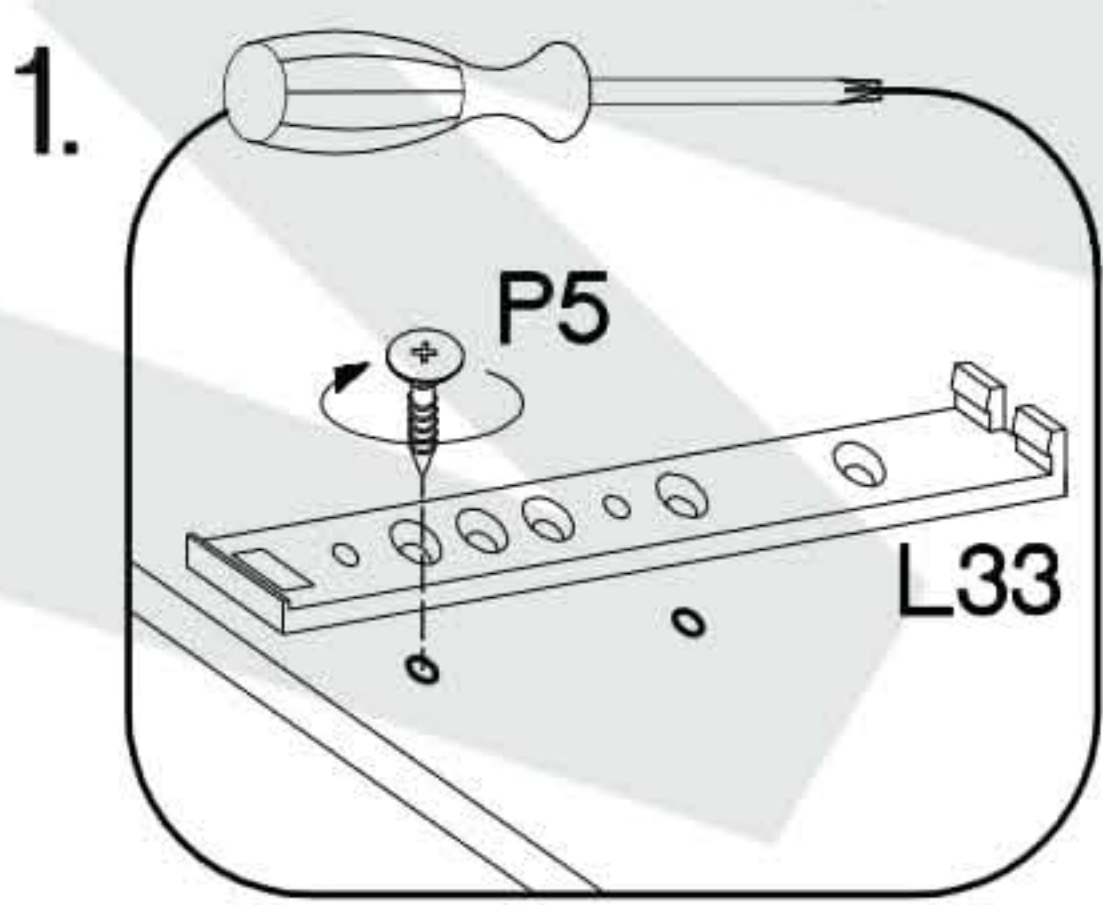
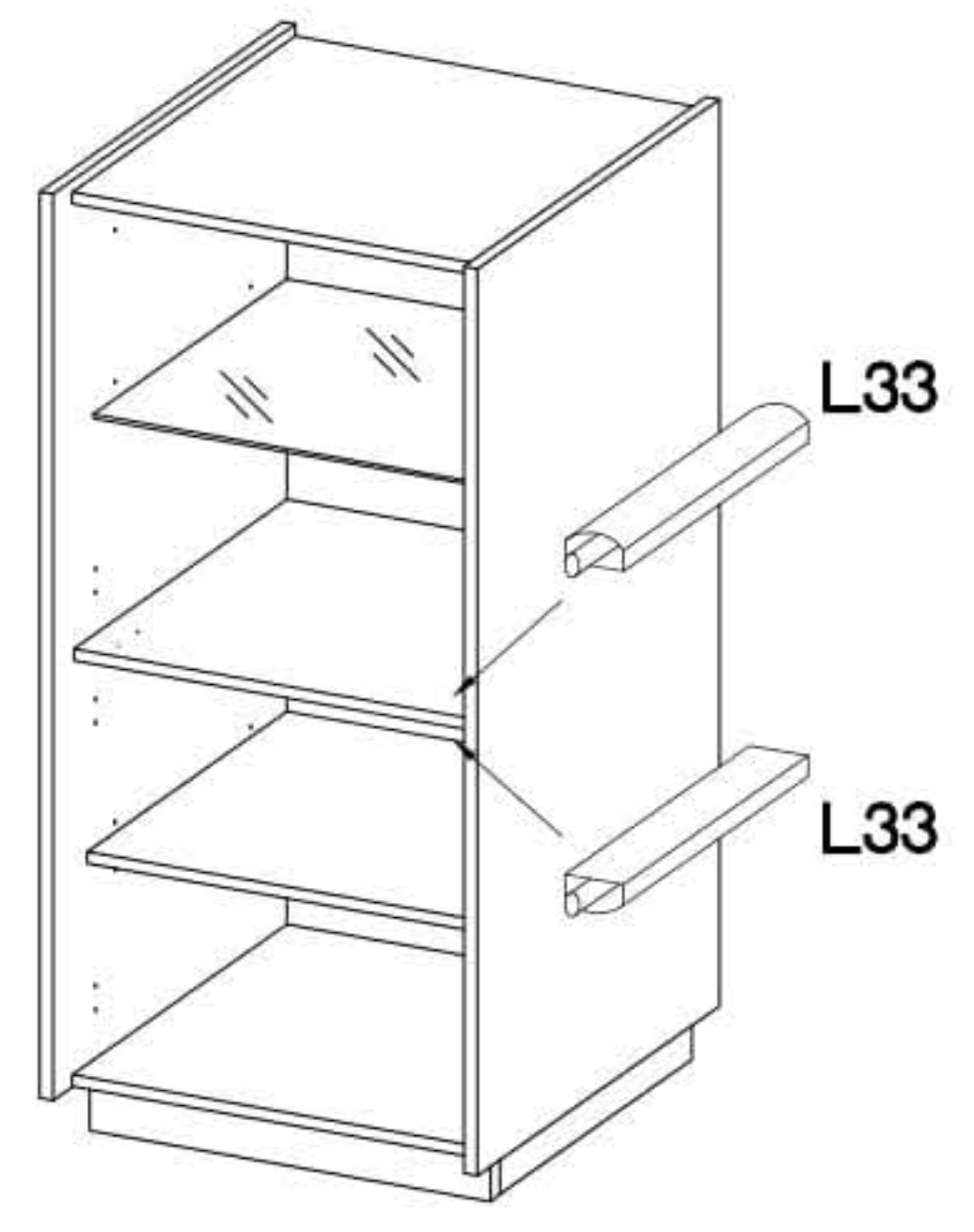
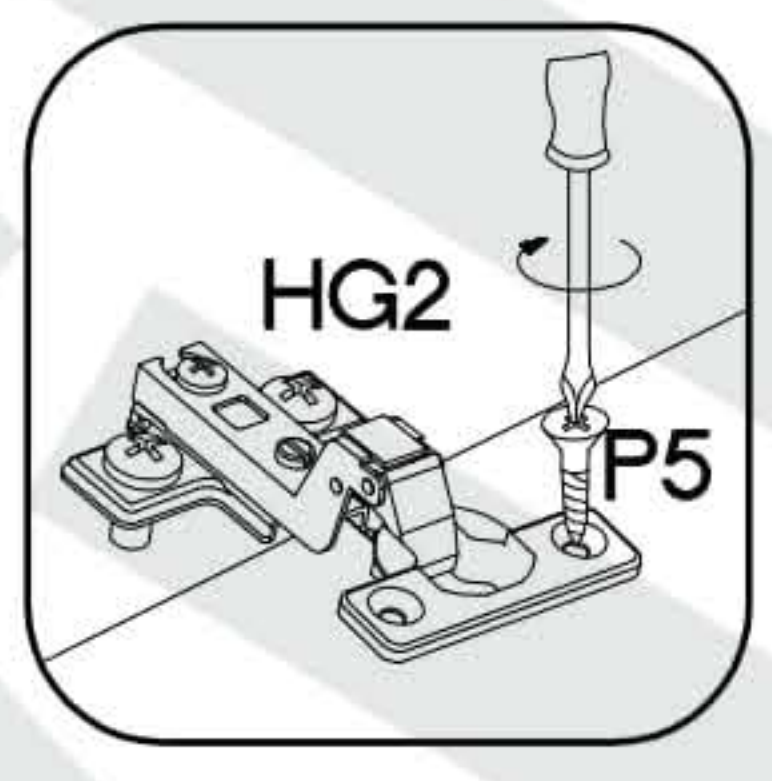
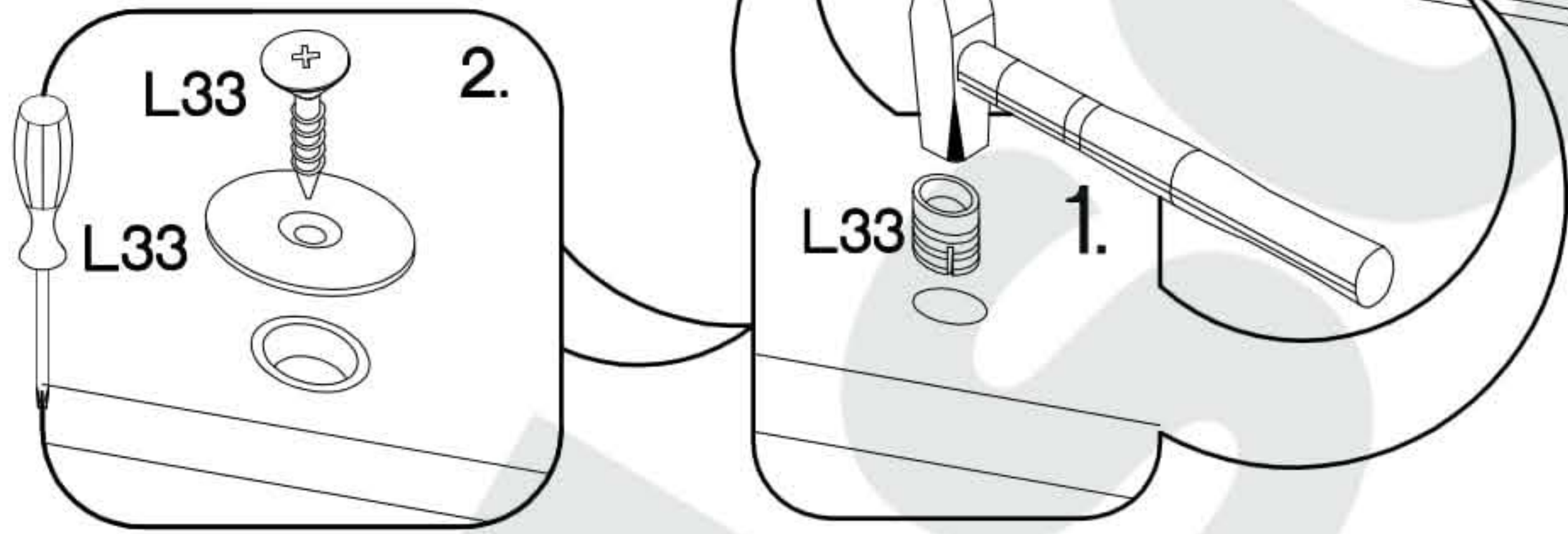
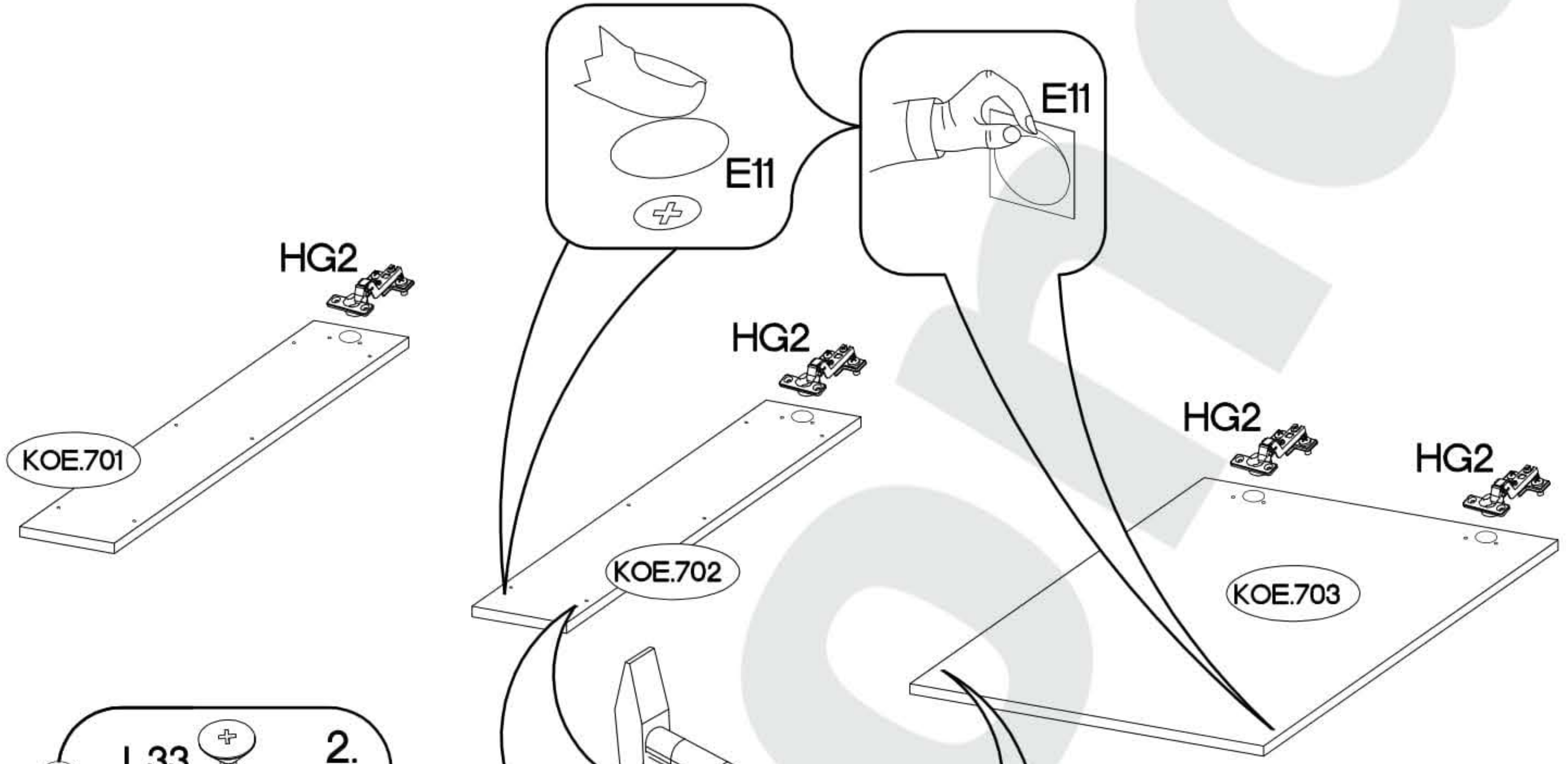




4.0x16mm  R11 6	7/4mm  J7 6
--	--





$\pm 20$ 	$\pm 20$ 		$\pm 35/16\text{mm}$ 	$\pm 3.5 \times 13\text{mm}$ 
orz. E11	beż E11	L33	HG2	P5
1	1	2	4	12



4.0x16mm  R11 6	7/4mm  J7 6
--	--

