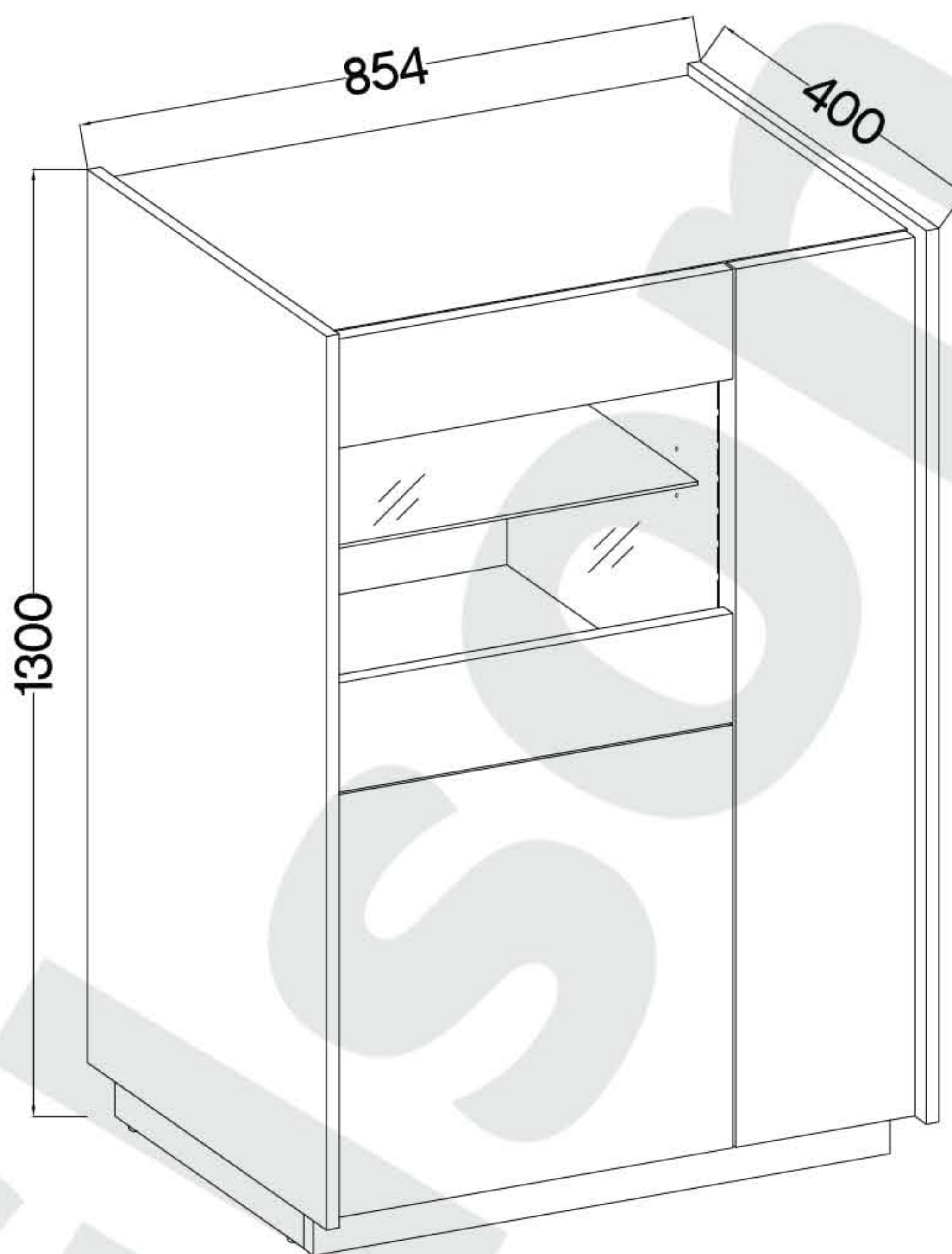


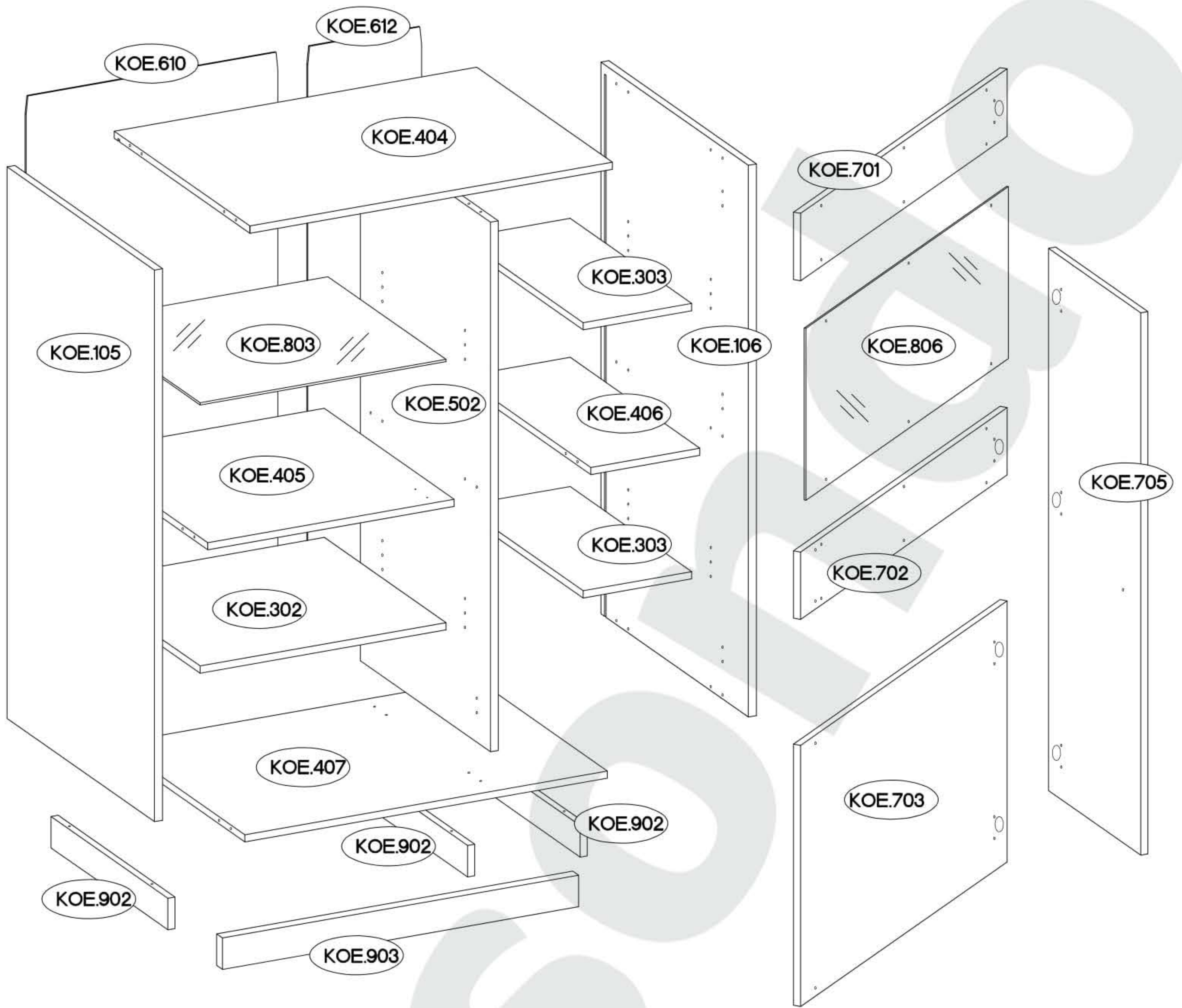
90 min

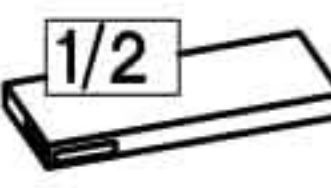

TYP 002

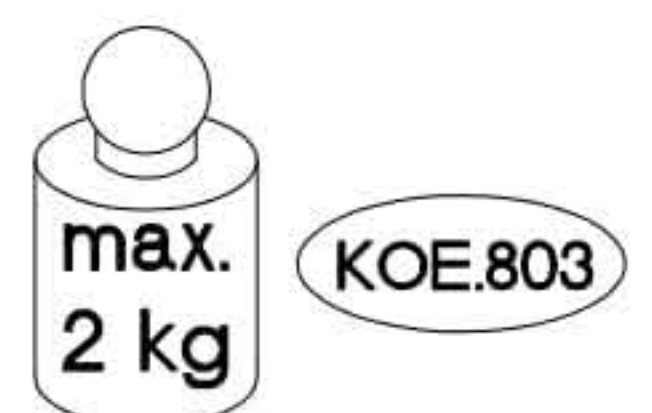
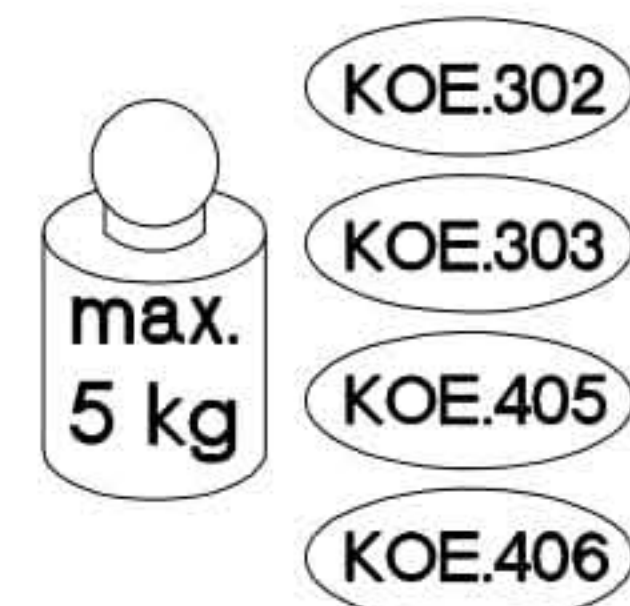
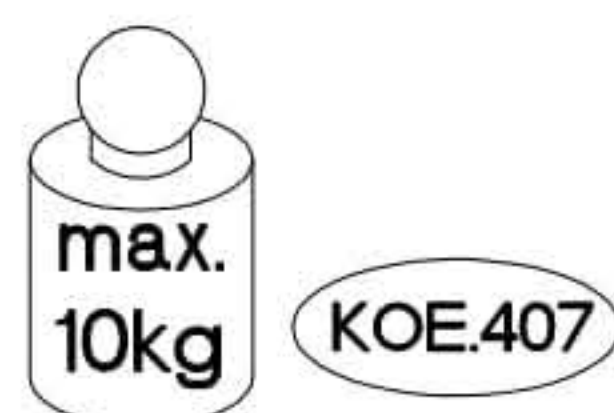


†8x30mm A 22	†8x60mm A2 2	†15/12mm C 20	L=20mm D2 16	L=56mm D4 2	†20 E1 9	†20 E1 9	†15x5mm F4 6	†35/16mm HG2 7	†5/16mm J3 12	 J12 4	†7/4mm J7 6	 L 11
L2 L2 11	L9 L9 1	 L33 3	O1 O1 1	†10x50mm O7 1	†4.0x16mm P1 10	†3.5x13mm P5 21	†3.0x20mm P7 23	†4.0x16mm R11 6	T3 T3 5			

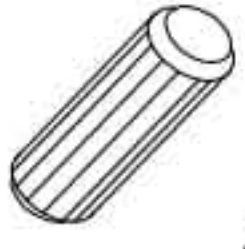


ISM-KOE-004

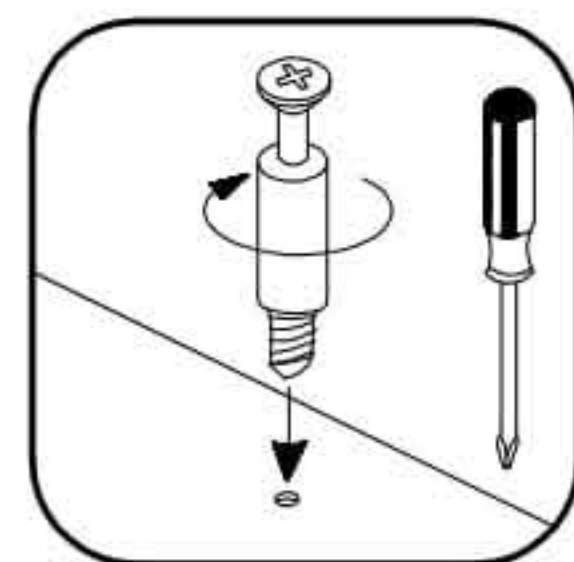
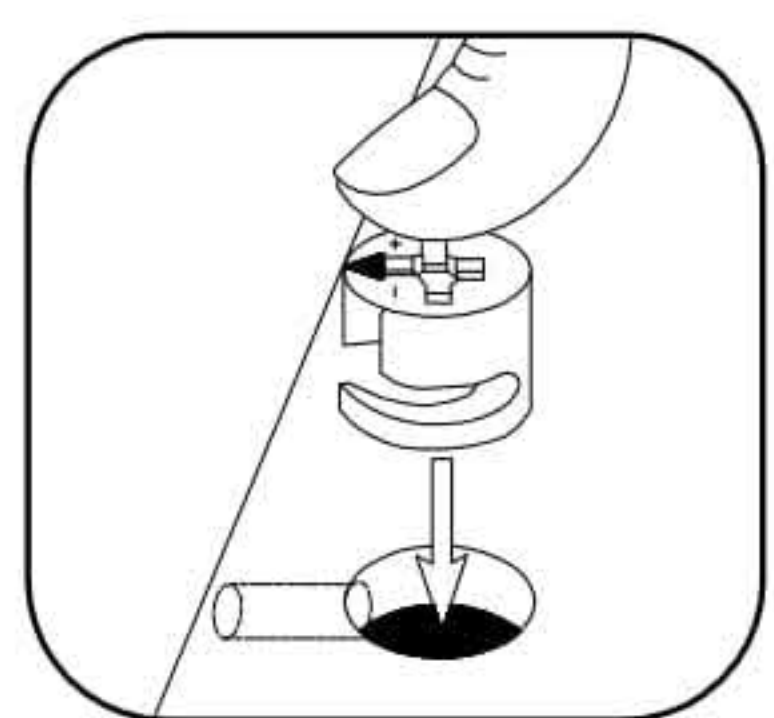
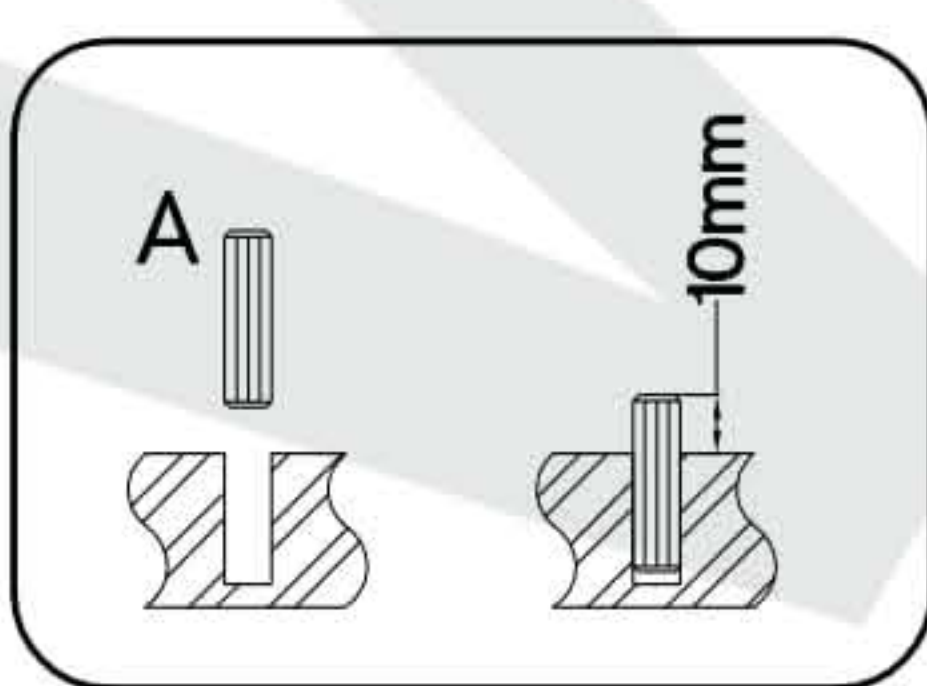
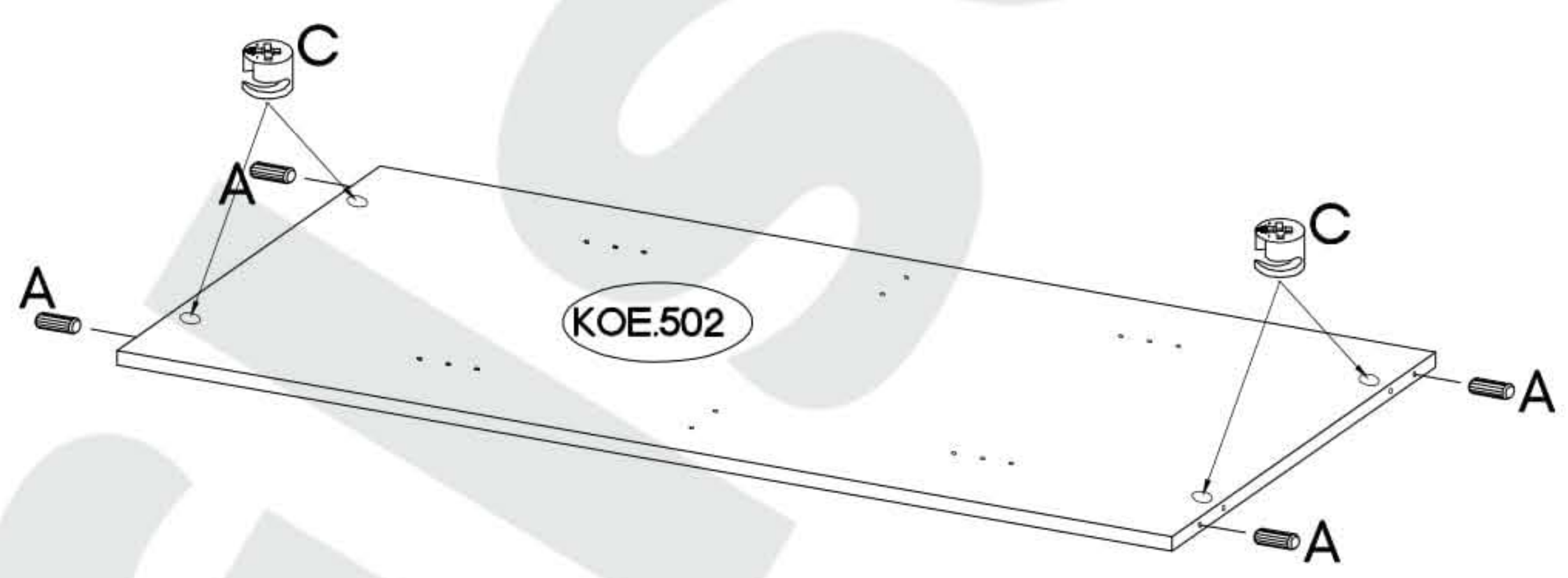
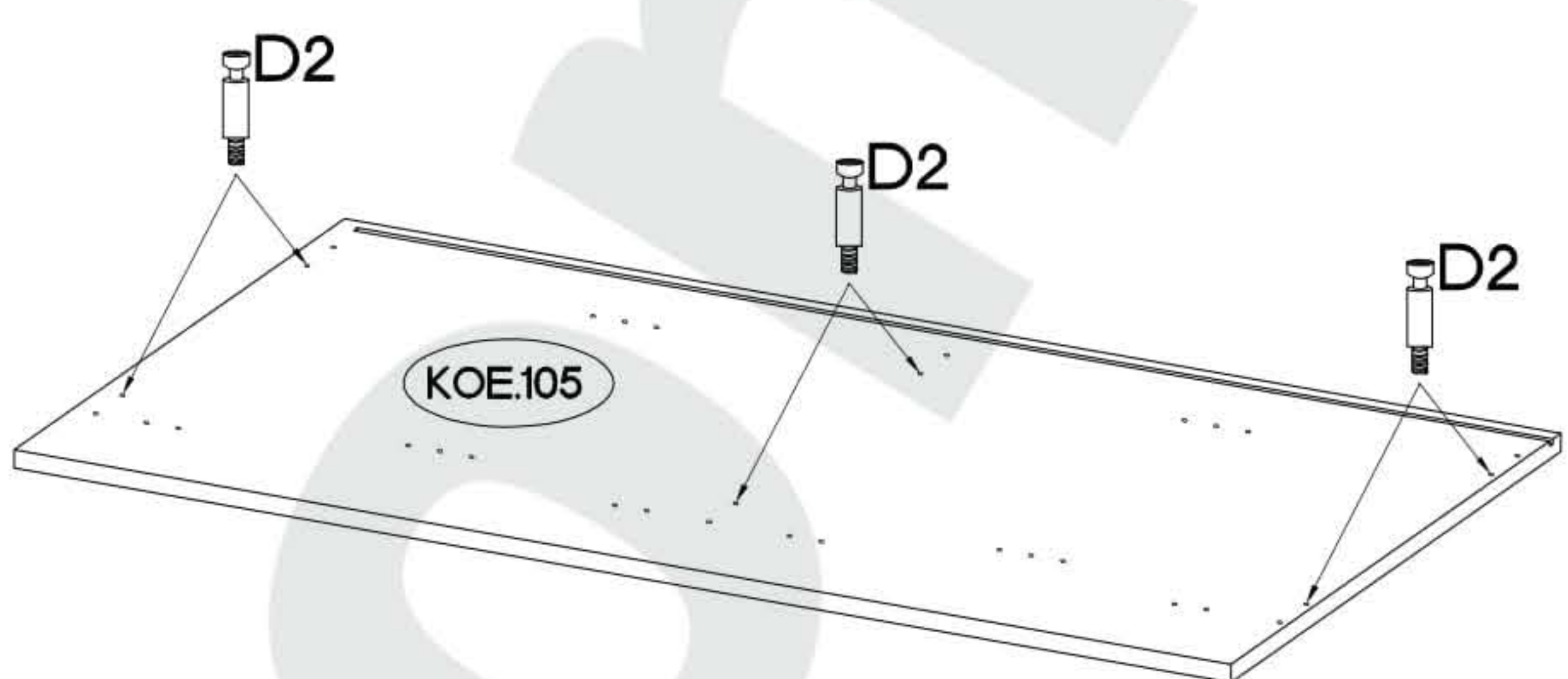
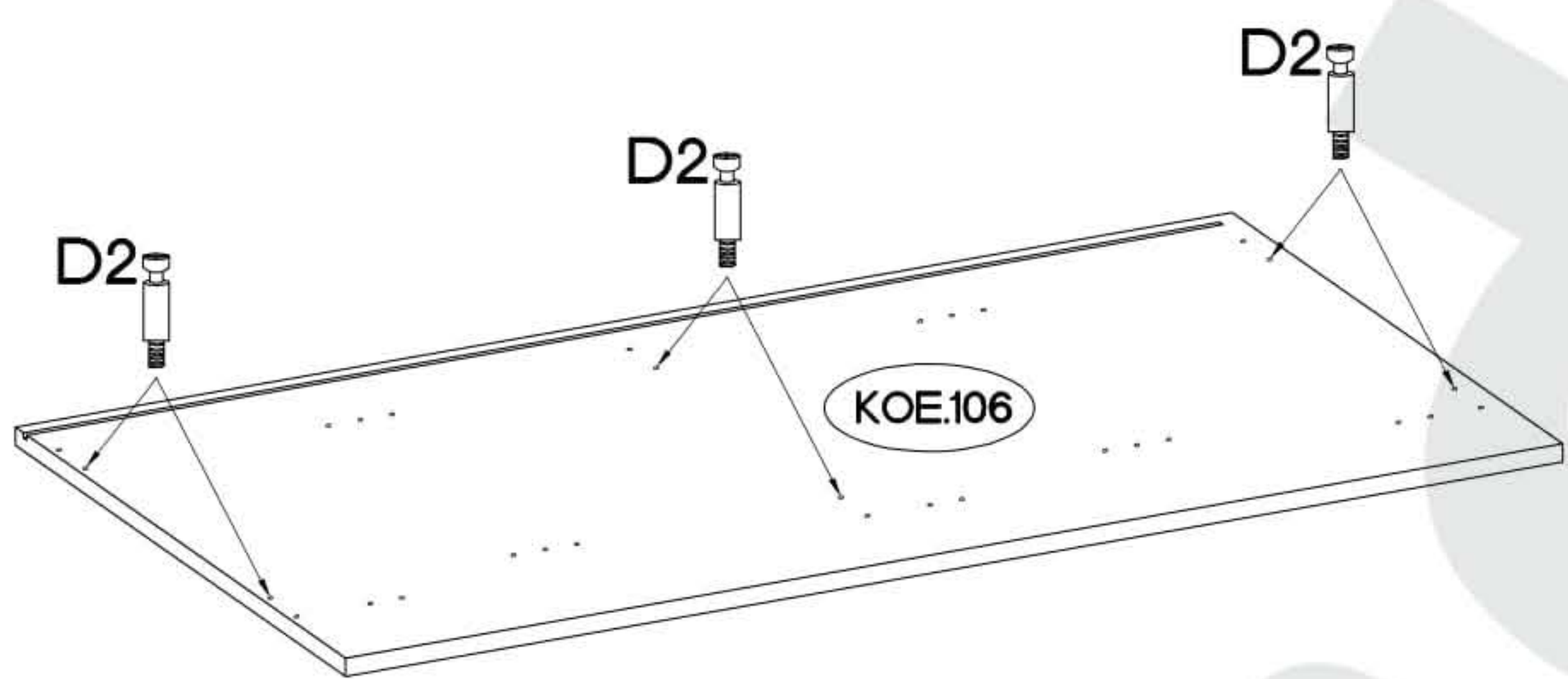
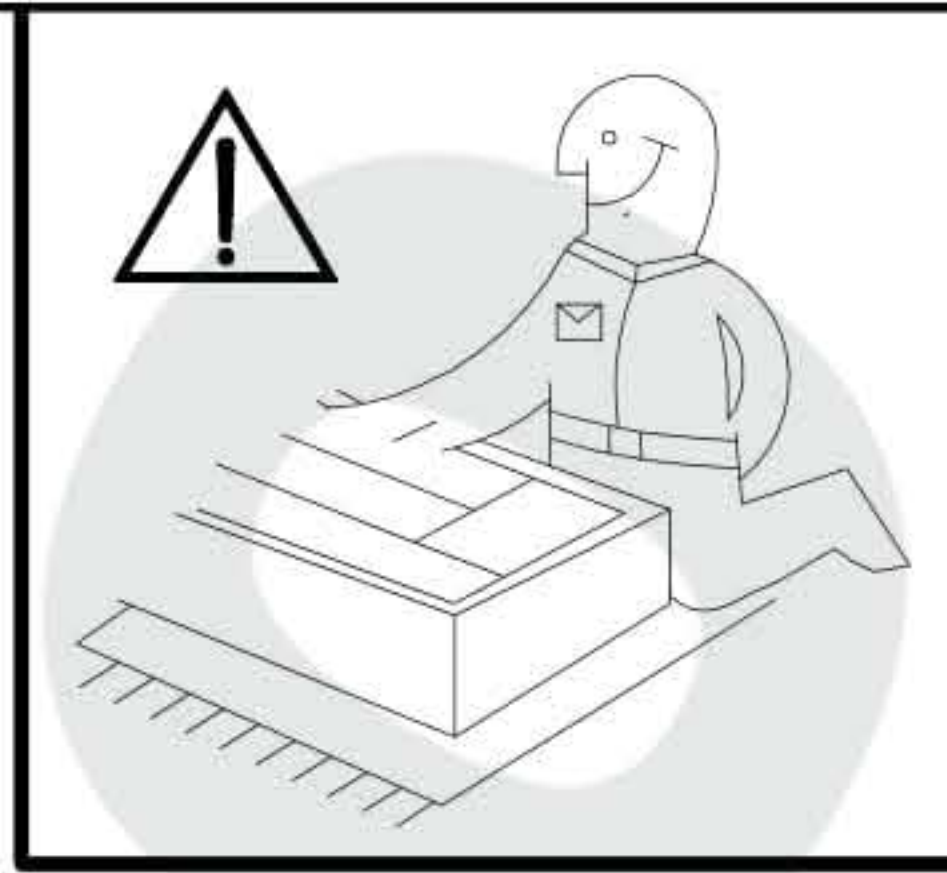


	Ersatzteil Nummer	Dimension
	KOE.404	818x368x16
	KOE.405	556x352x16
	KOE.406	246x352x16
	KOE.407	818x354x16
	KOE.903	804x70x16
	KOE.902 x3	317x70x16
	KOE.302	555x330x16
	KOE.303 x2	245x330x16
	KOE.106	1226x400x18
	KOE.105	1226x400x18
	KOE.502	1177x353x16
	KOE.610	1196x568x2,5
	KOE.612	1196x257x2,5
	KOE.803	555x320x5
	KOE.806	382x549x4
	KOE.701	560x150x16
	KOE.702	560x150x16
	KOE.703	560x580x16
	KOE.705	250x1205x16

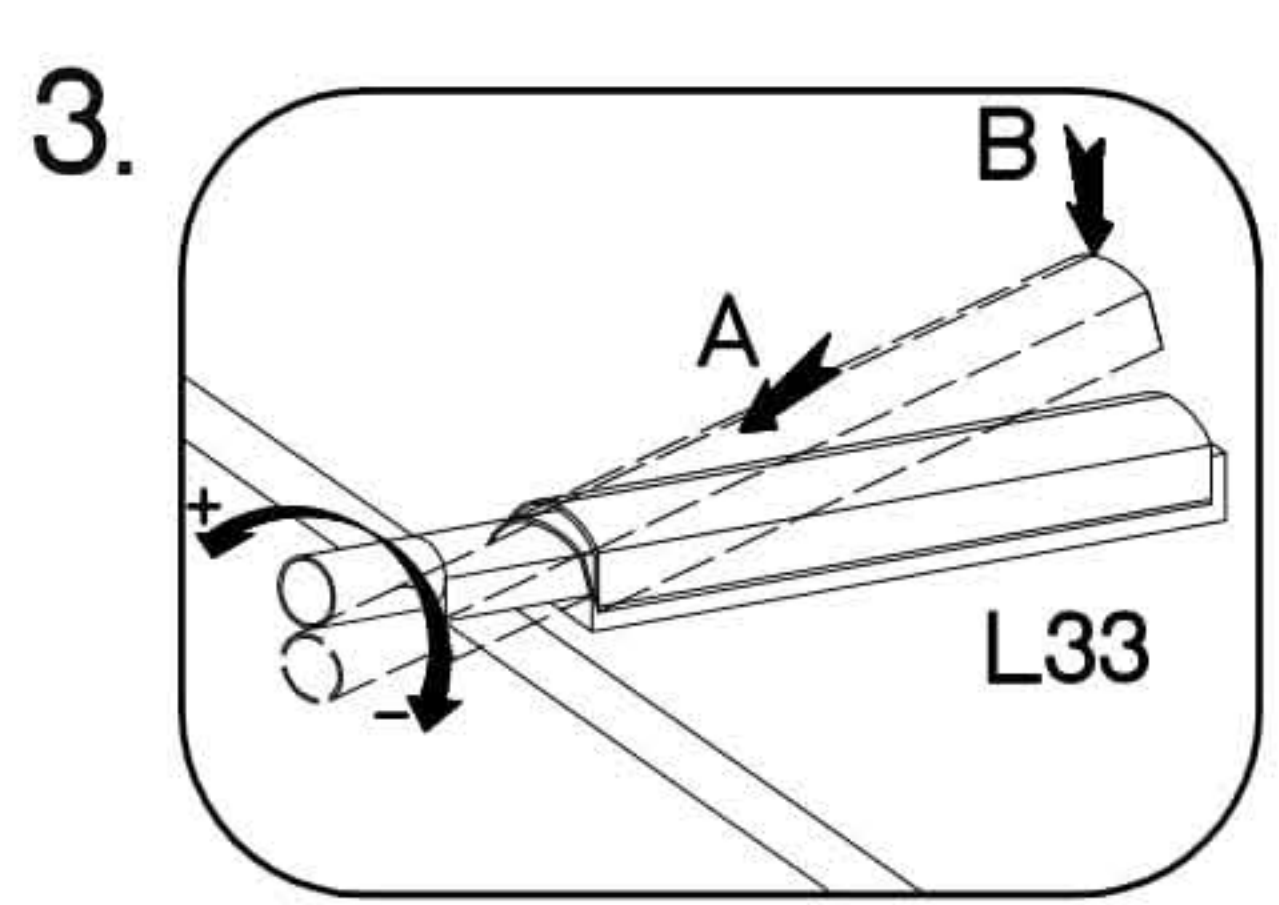
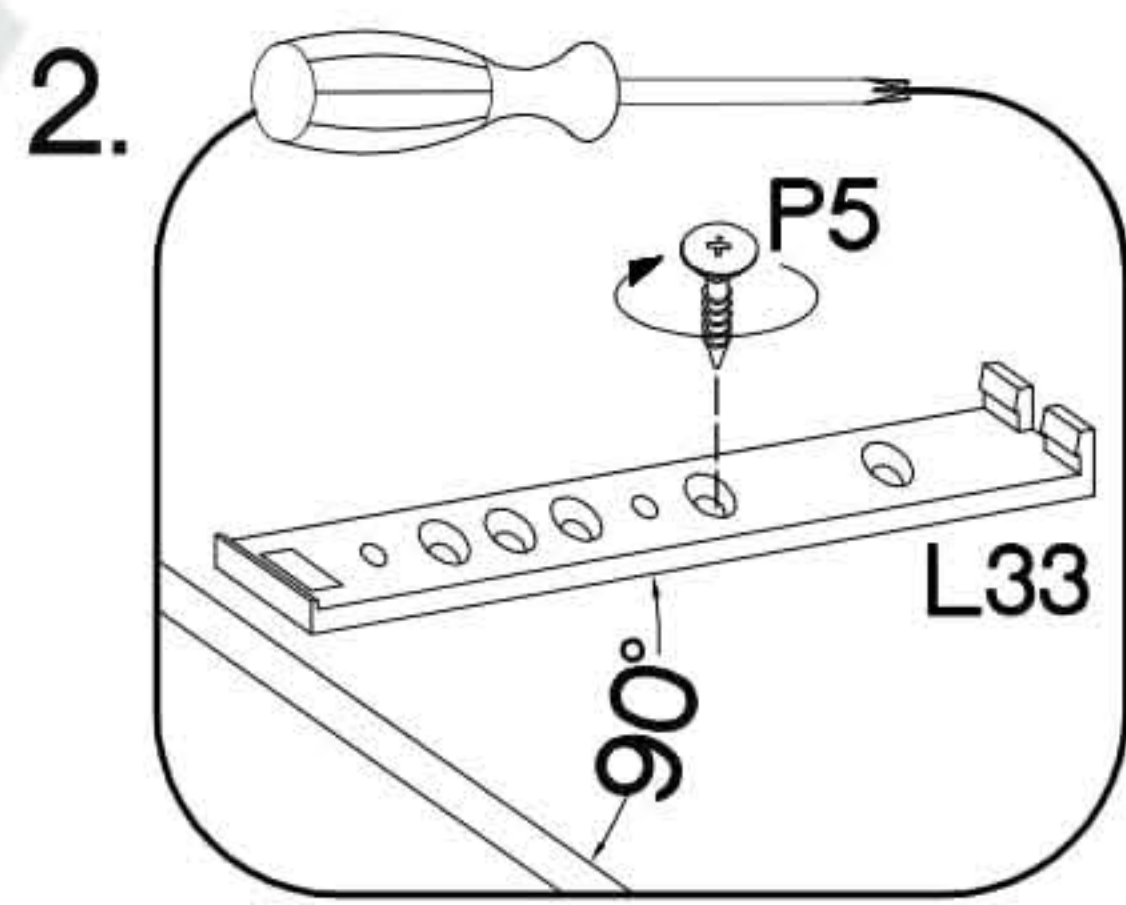
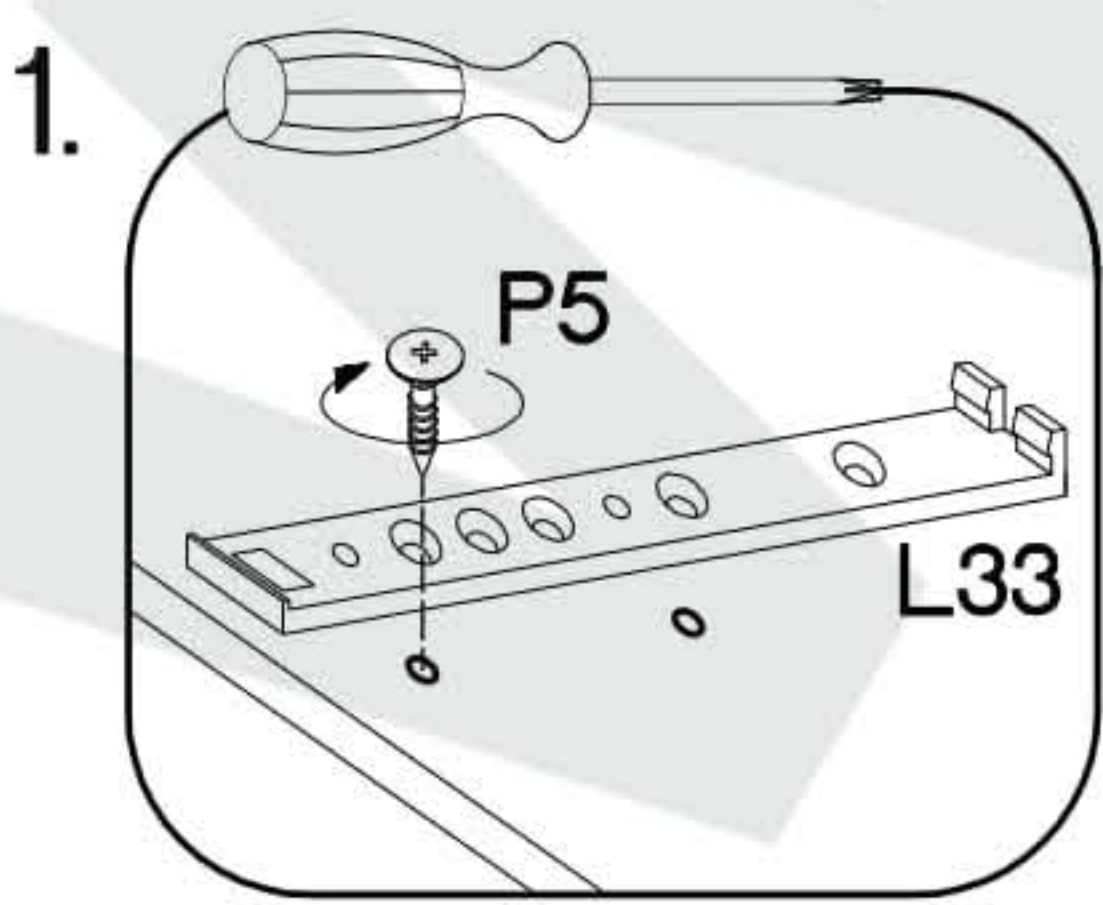
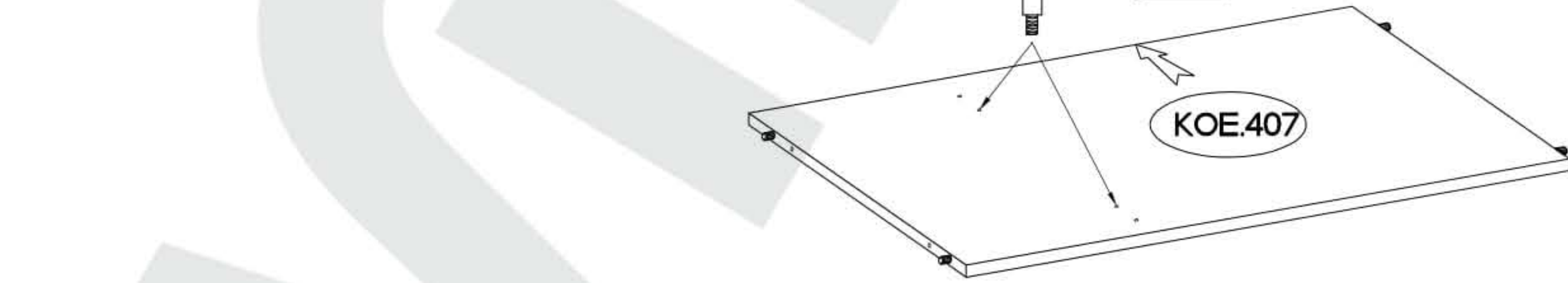
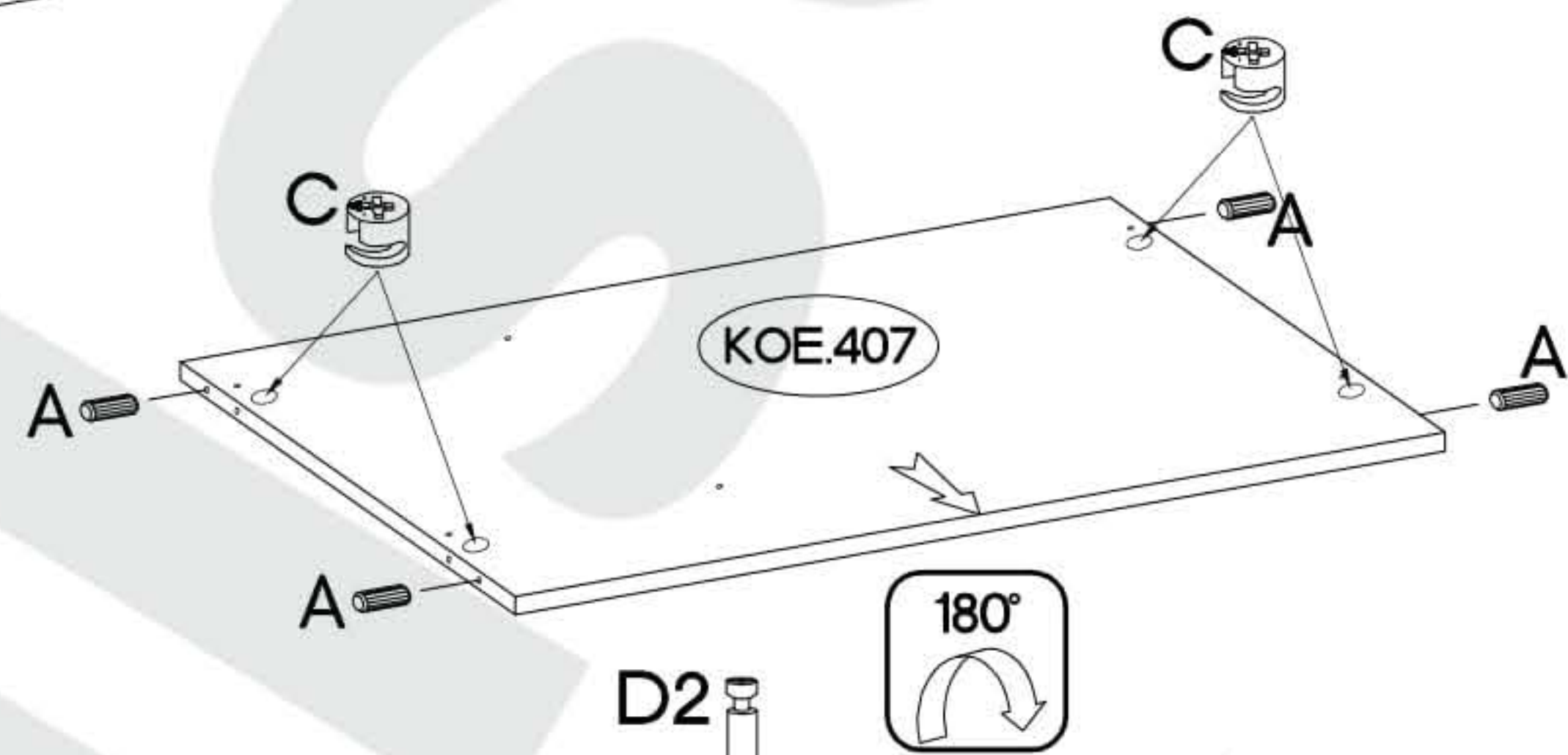
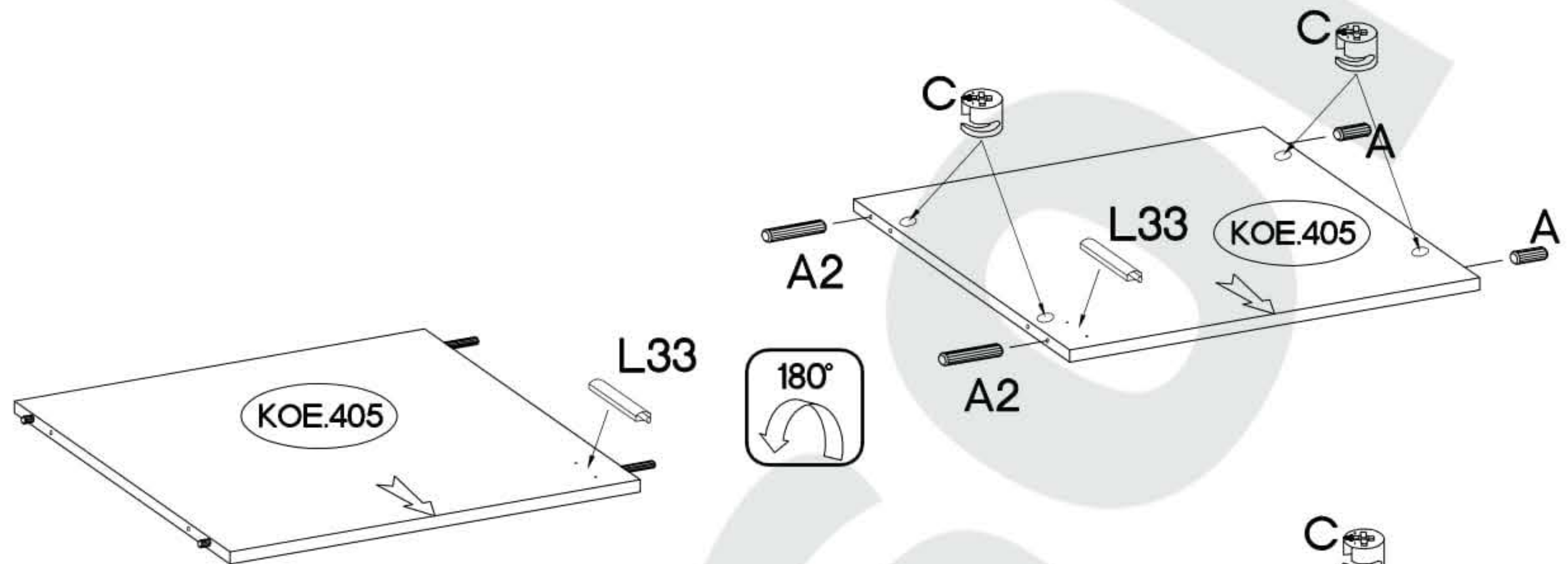
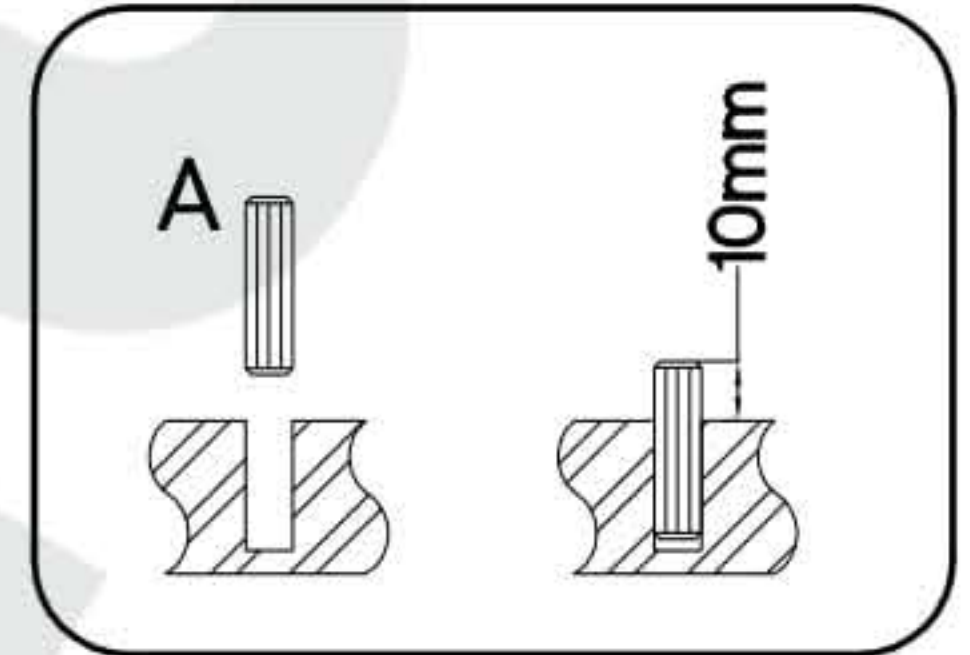
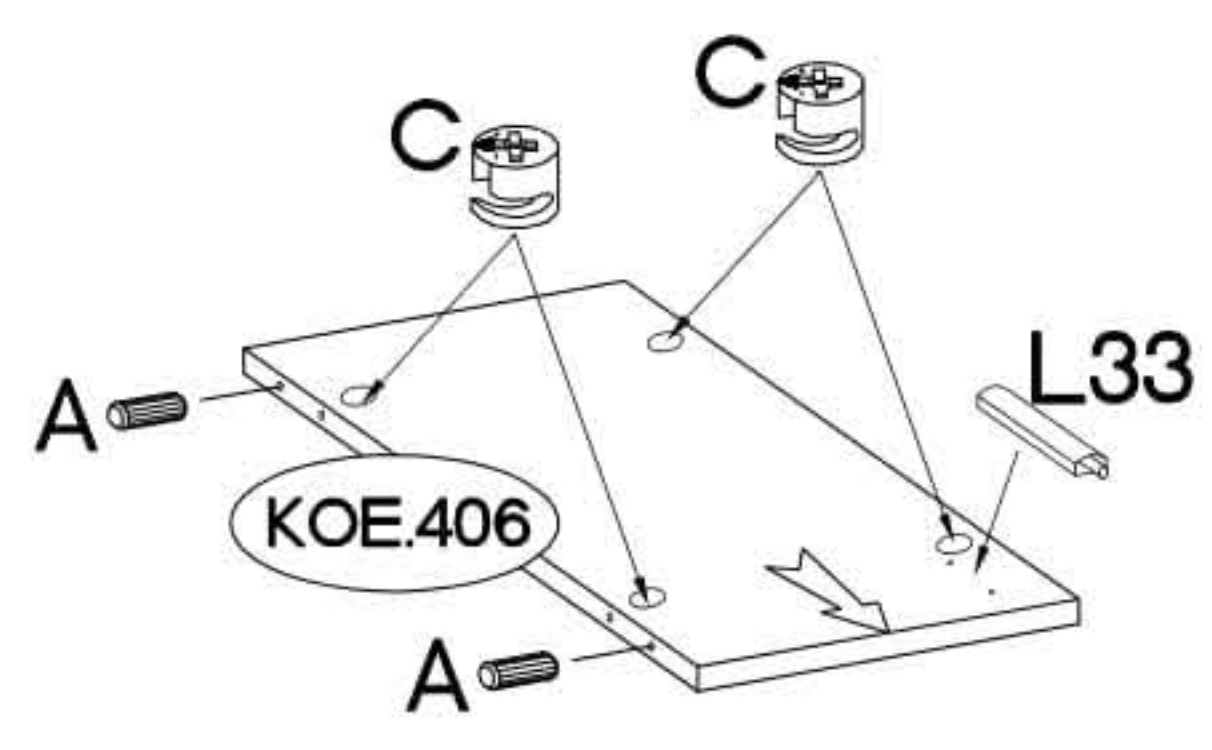
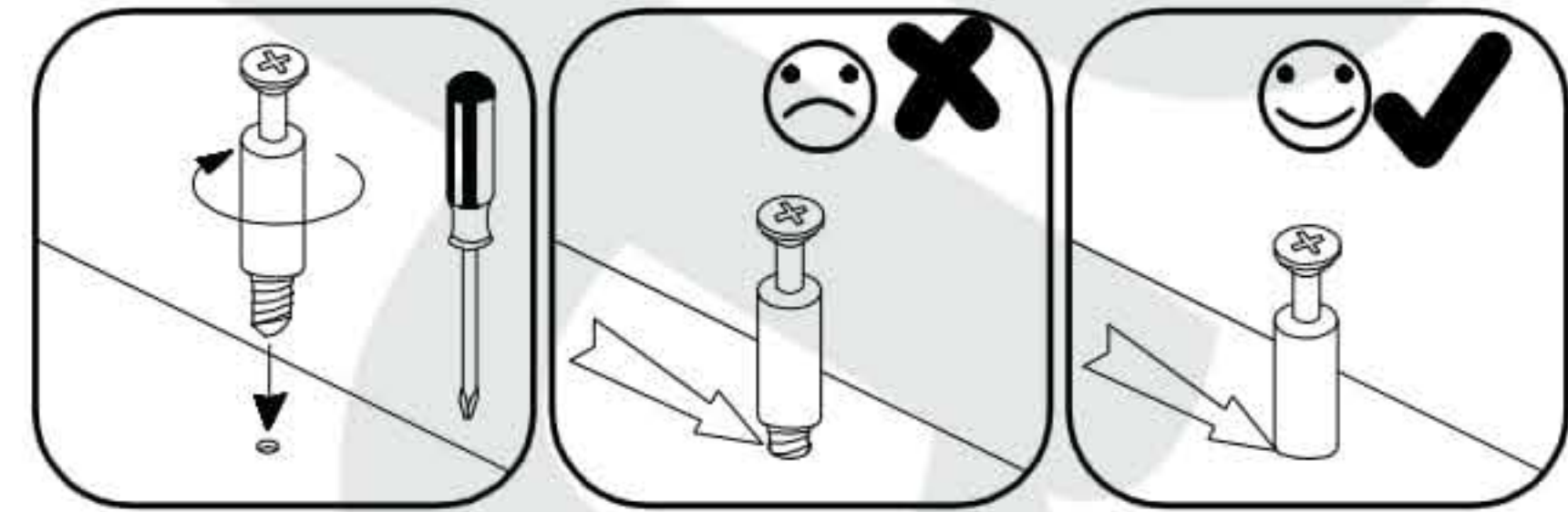
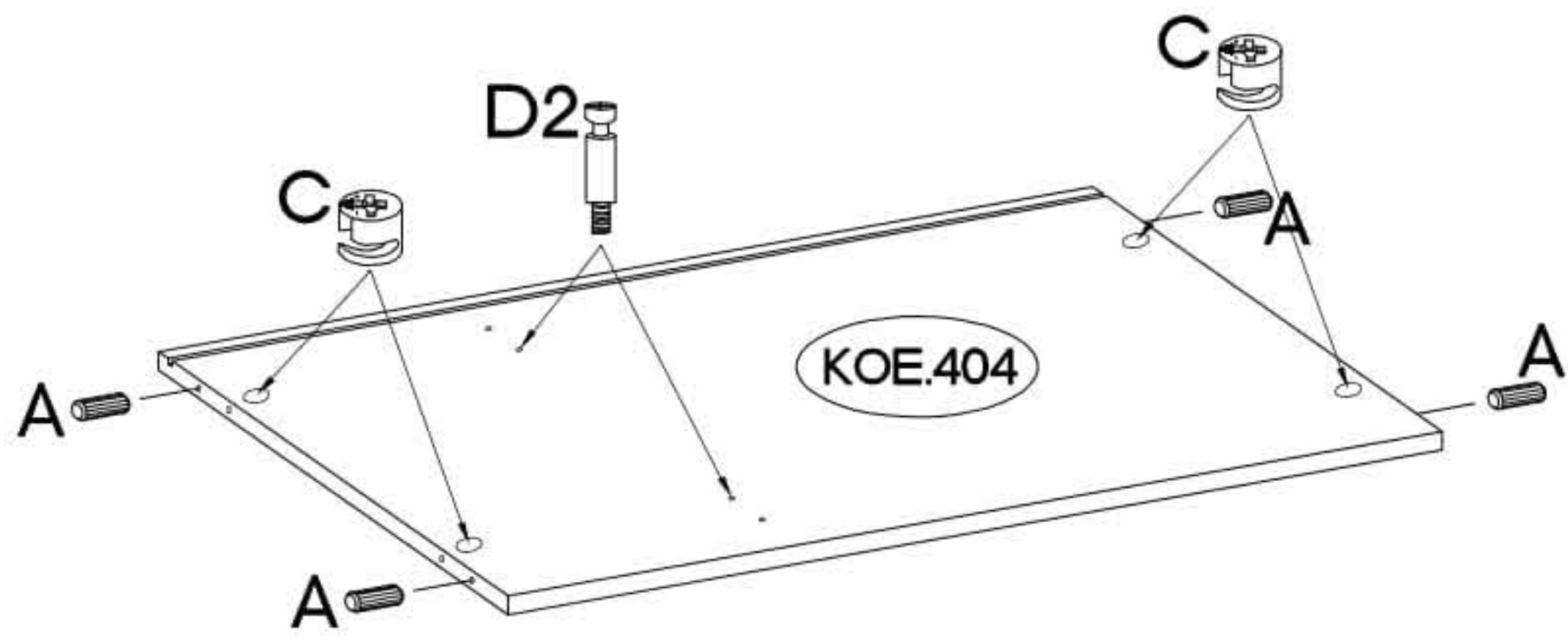
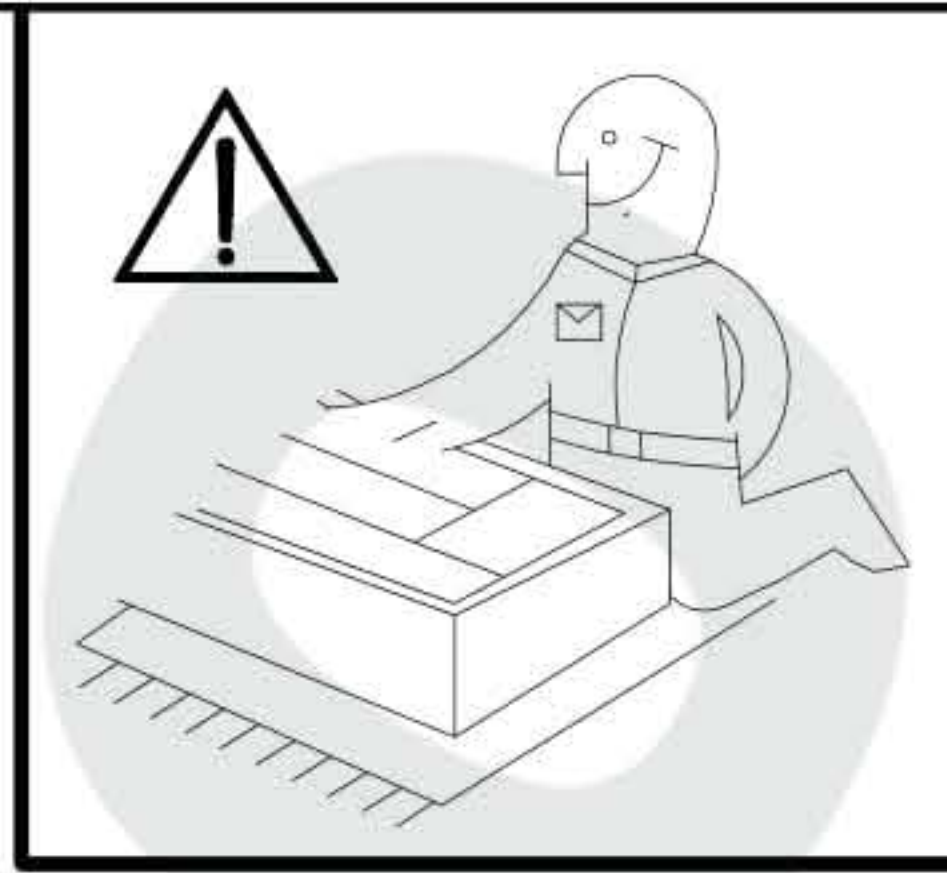


1


∅8x30mm  A	∅15/12mm  C	L=20mm  D2
4	4	12

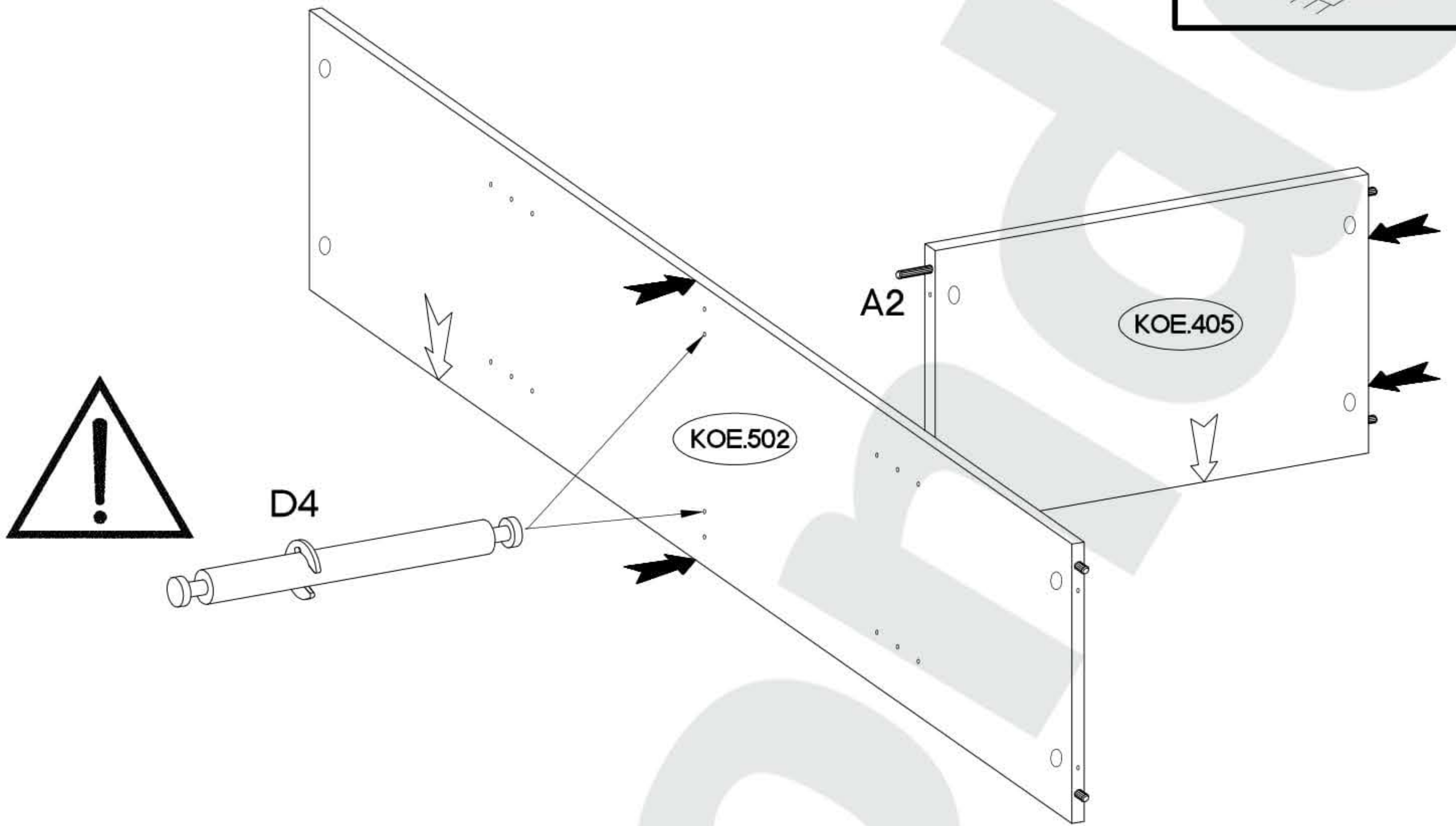
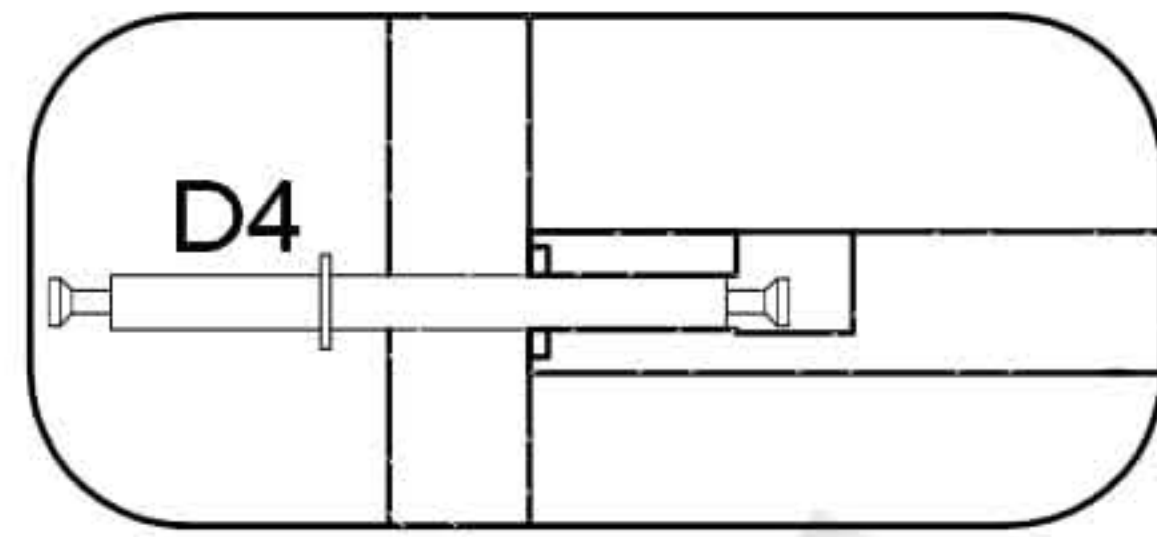


$\varnothing 8 \times 30 \text{mm}$ A 12	$\varnothing 8 \times 60 \text{mm}$ A2 2	$\varnothing 15/12 \text{mm}$ C 16	$L=20 \text{mm}$ D2 4	 L33 3	$\varnothing 3.5 \times 13 \text{mm}$ P5 6
---	---	---	--	---------------------	---

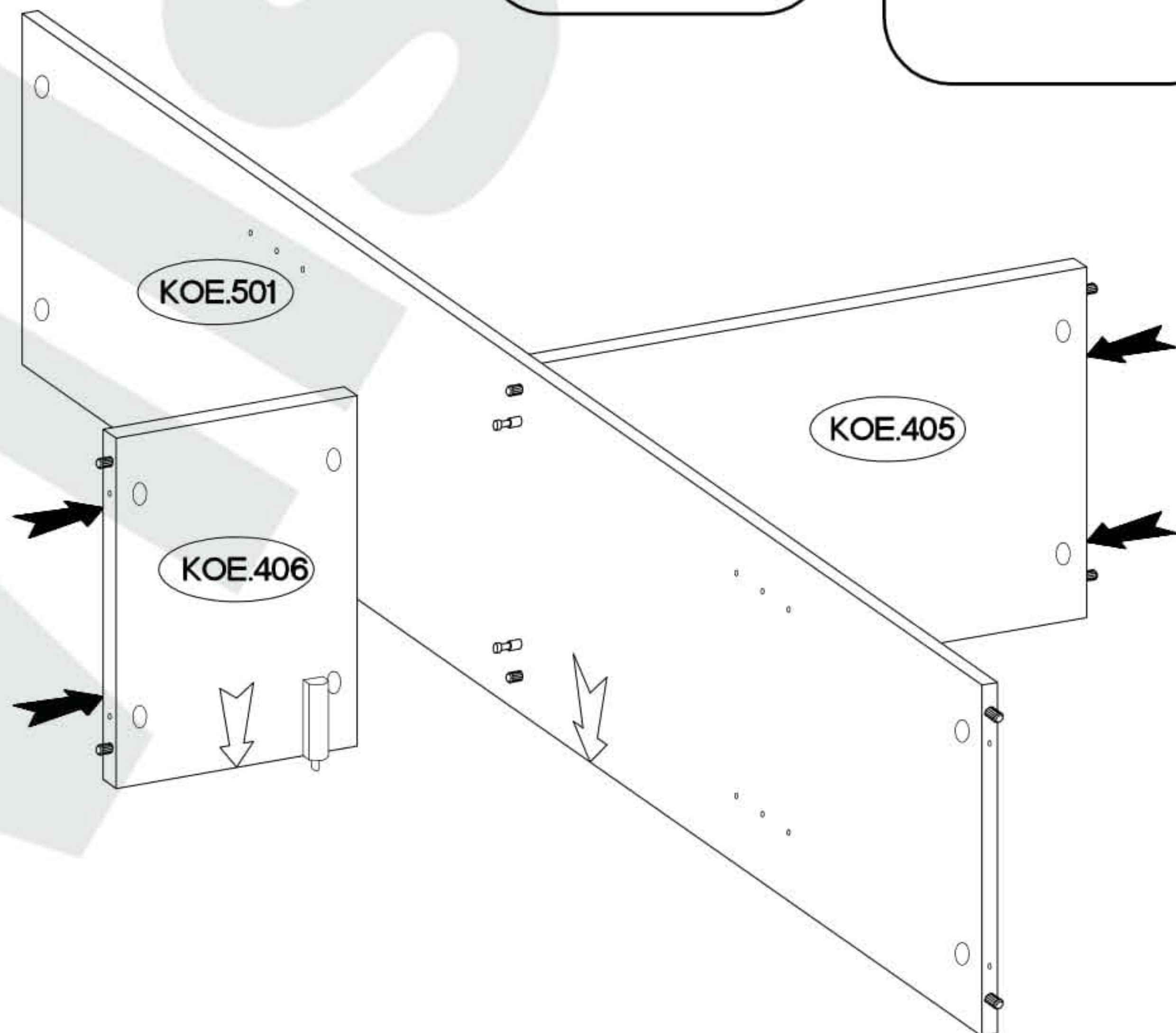
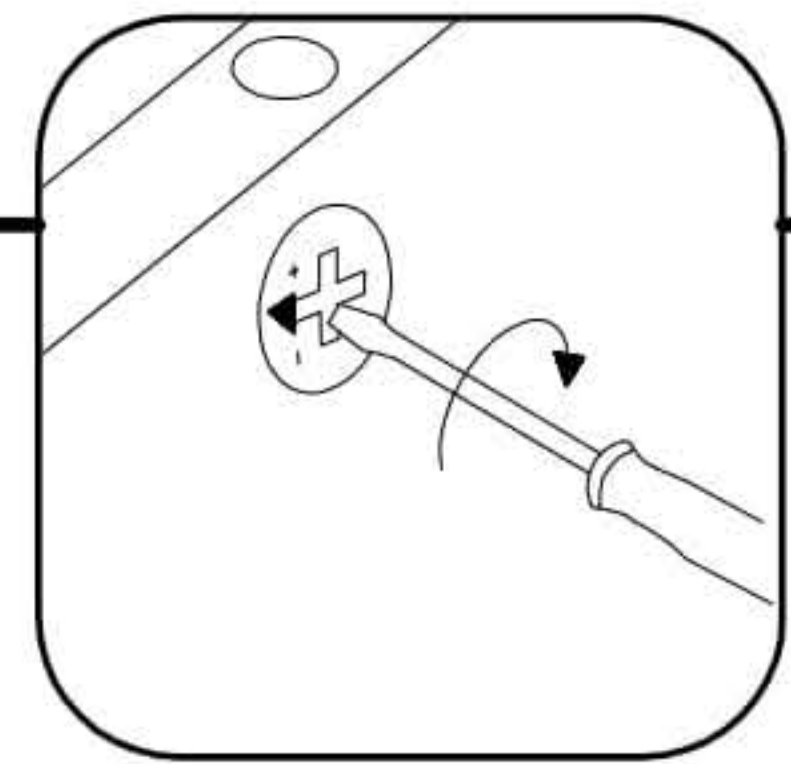
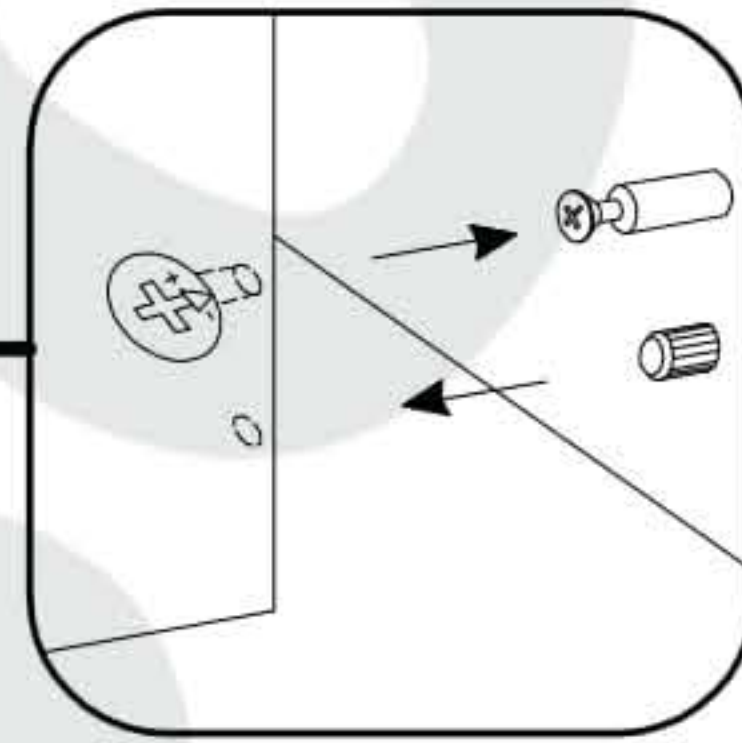


3

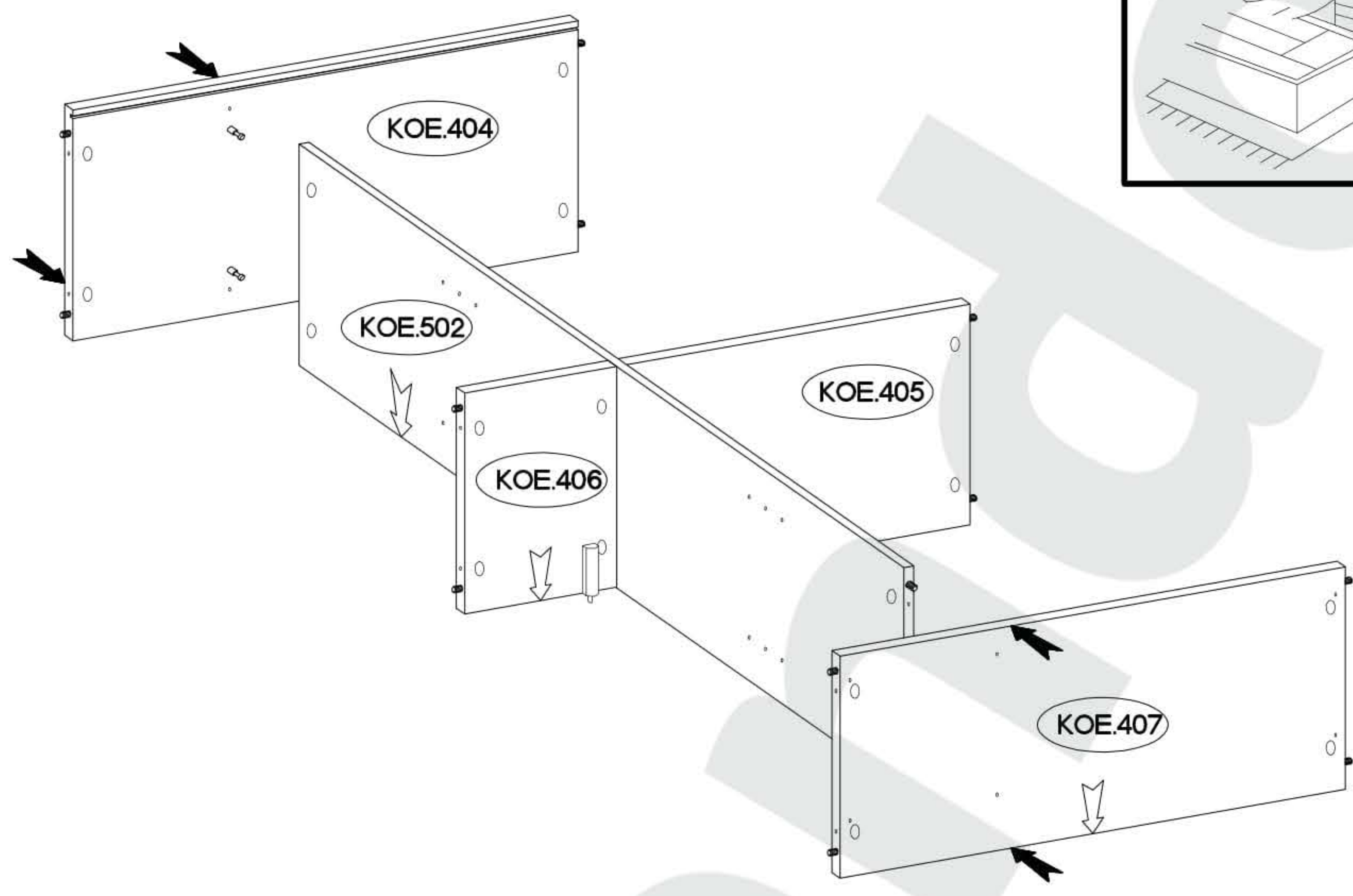
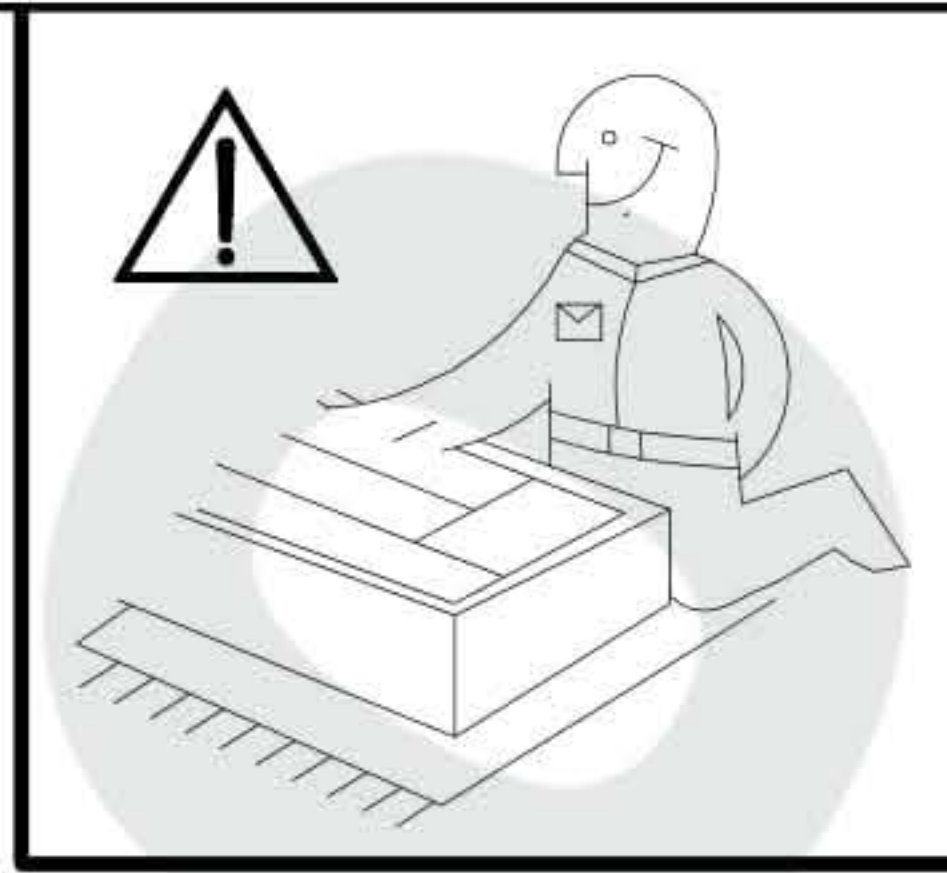
L=56mm

D4
2



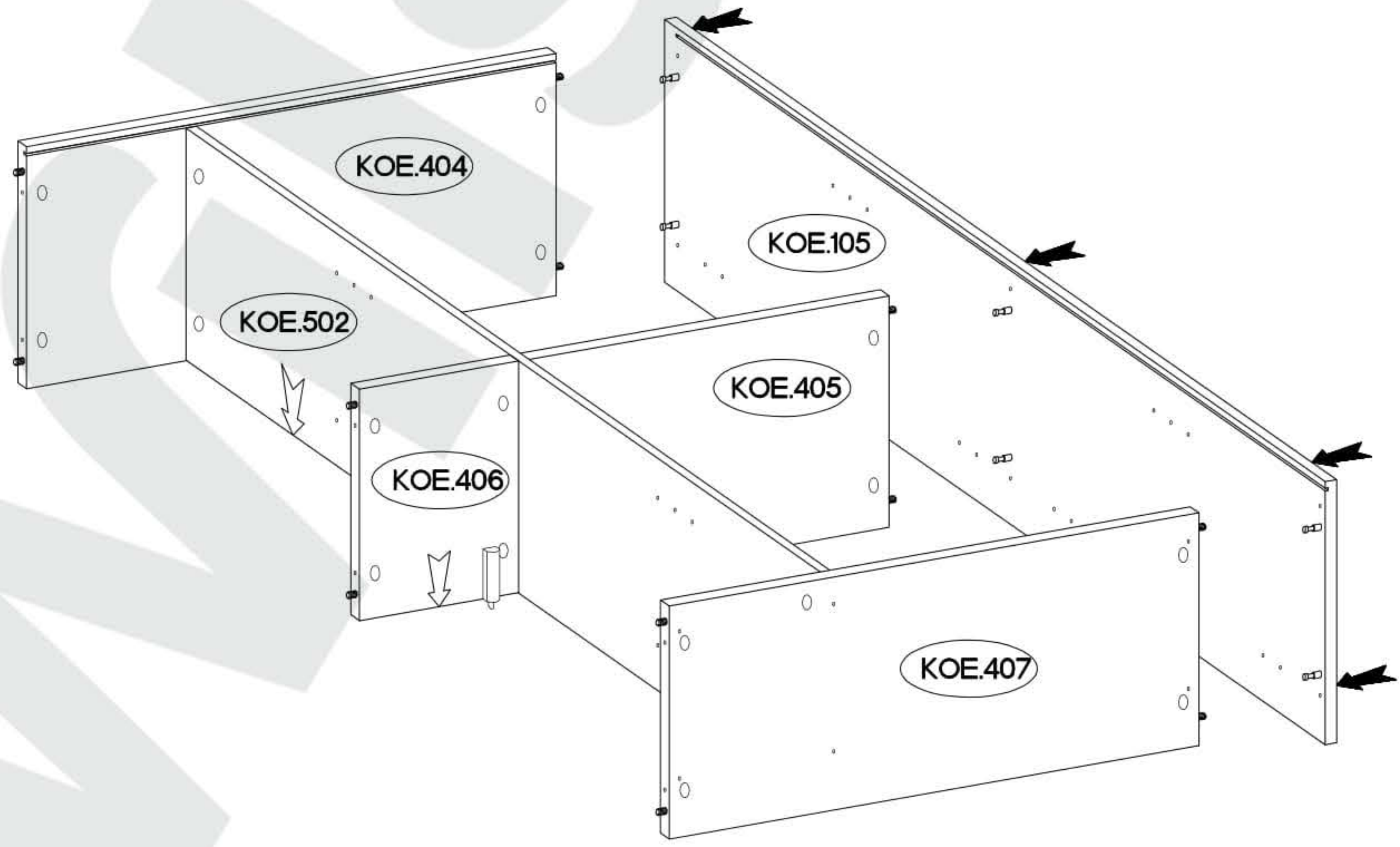
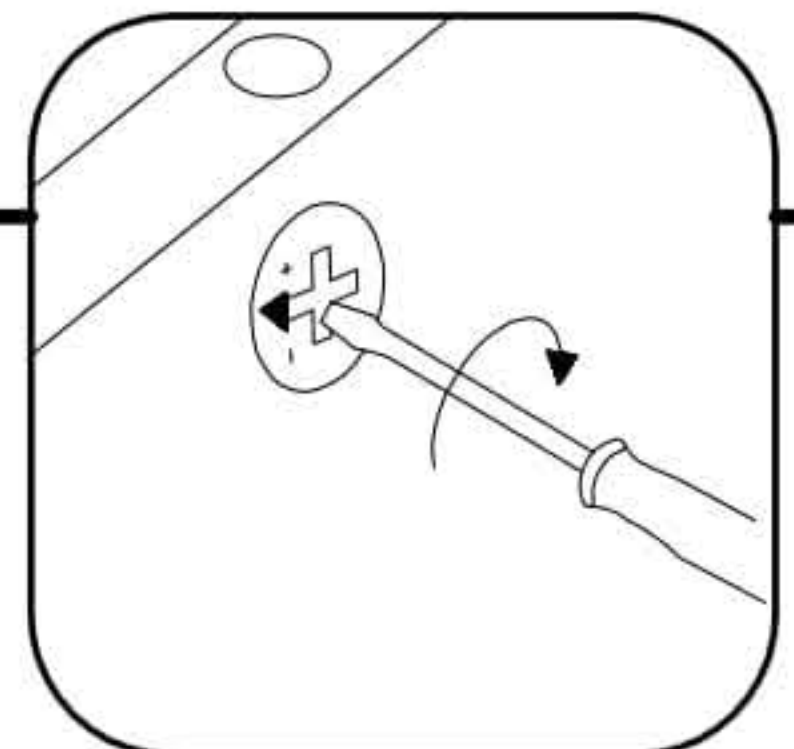
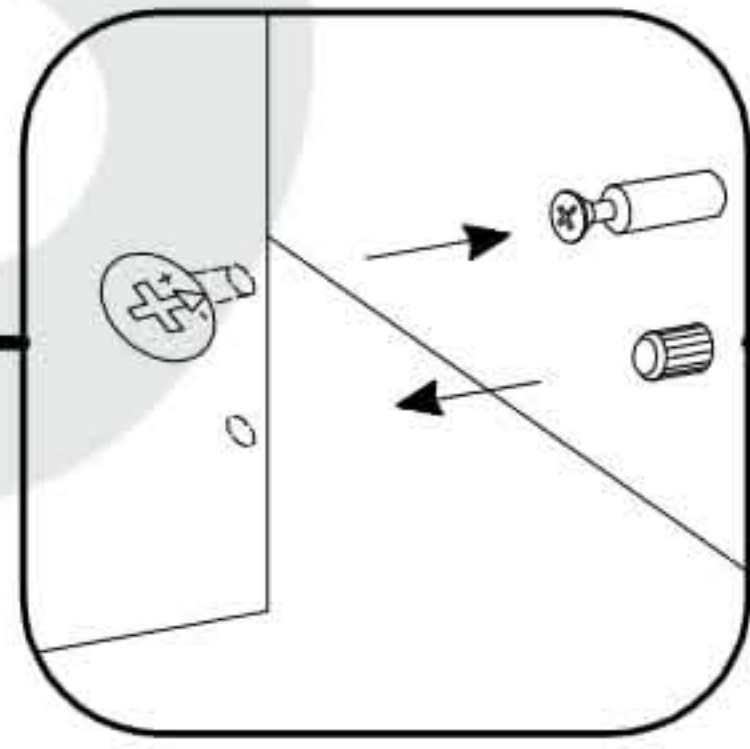
4



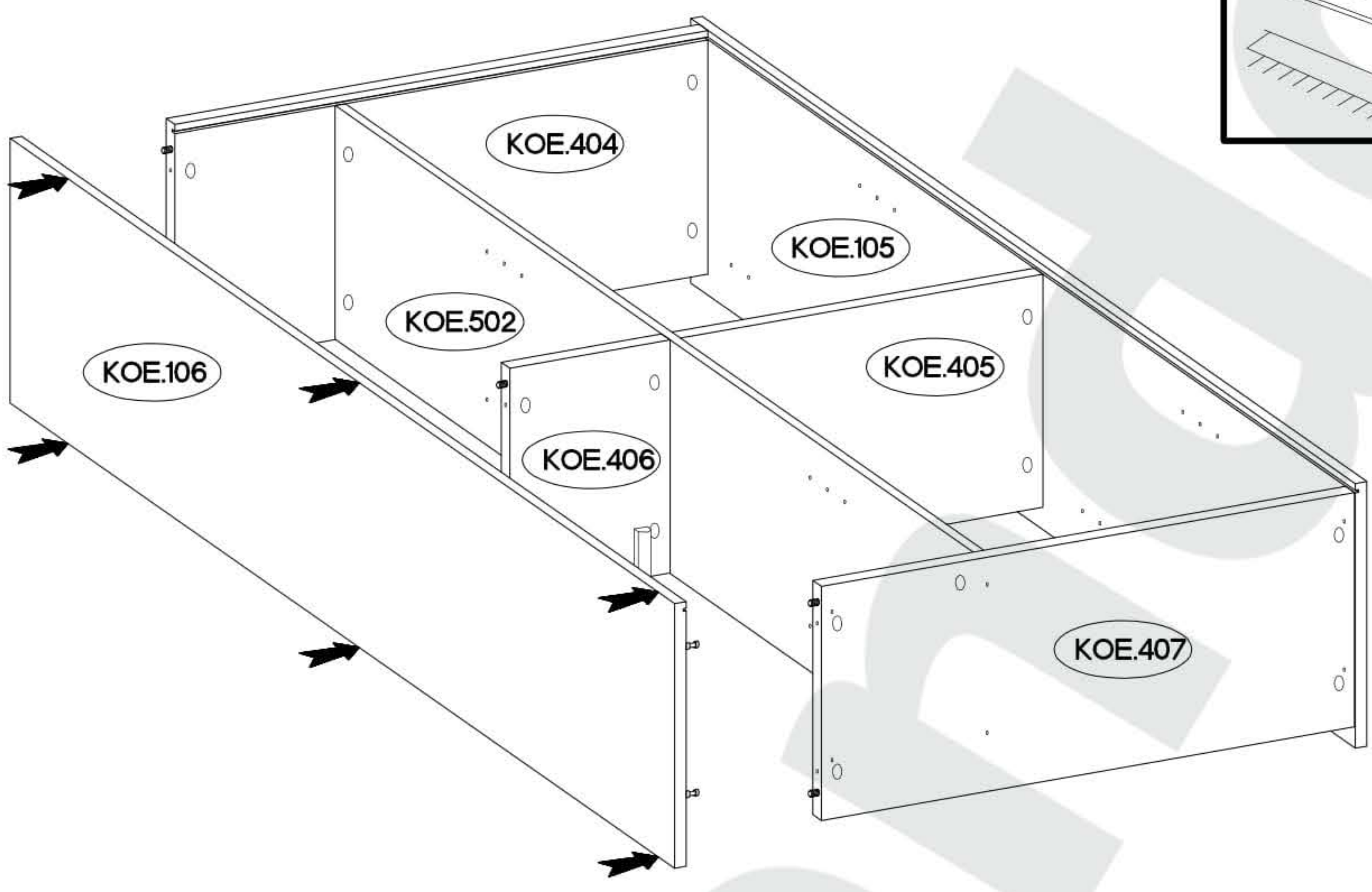
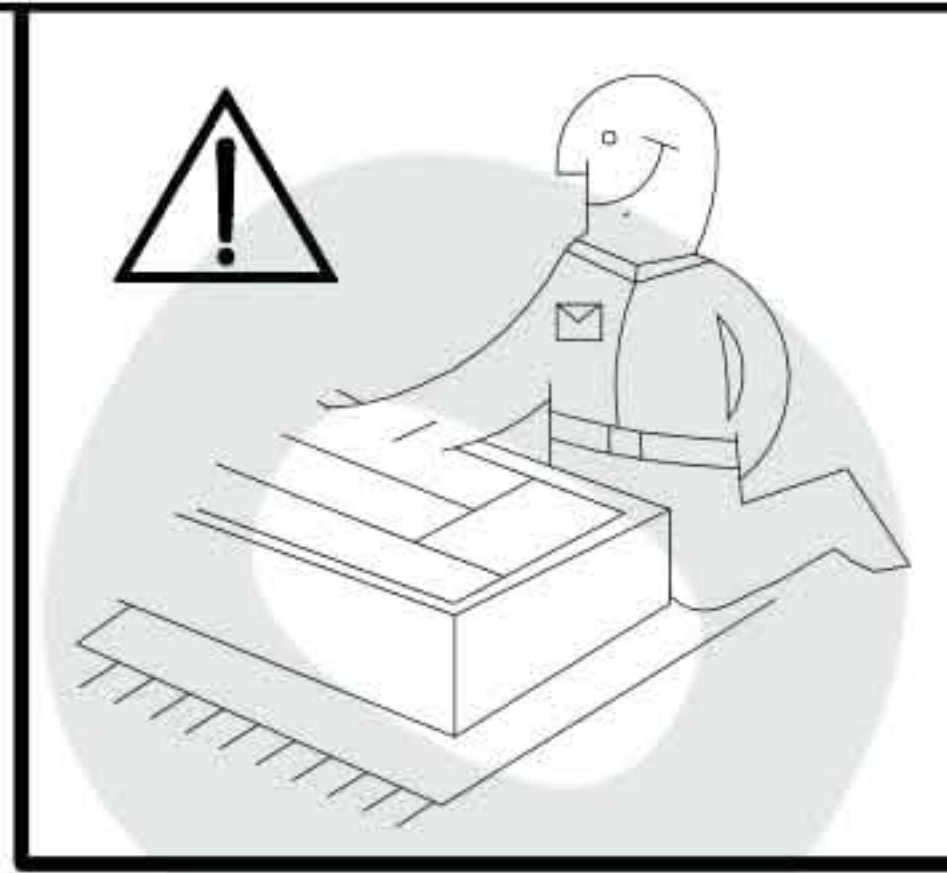
5



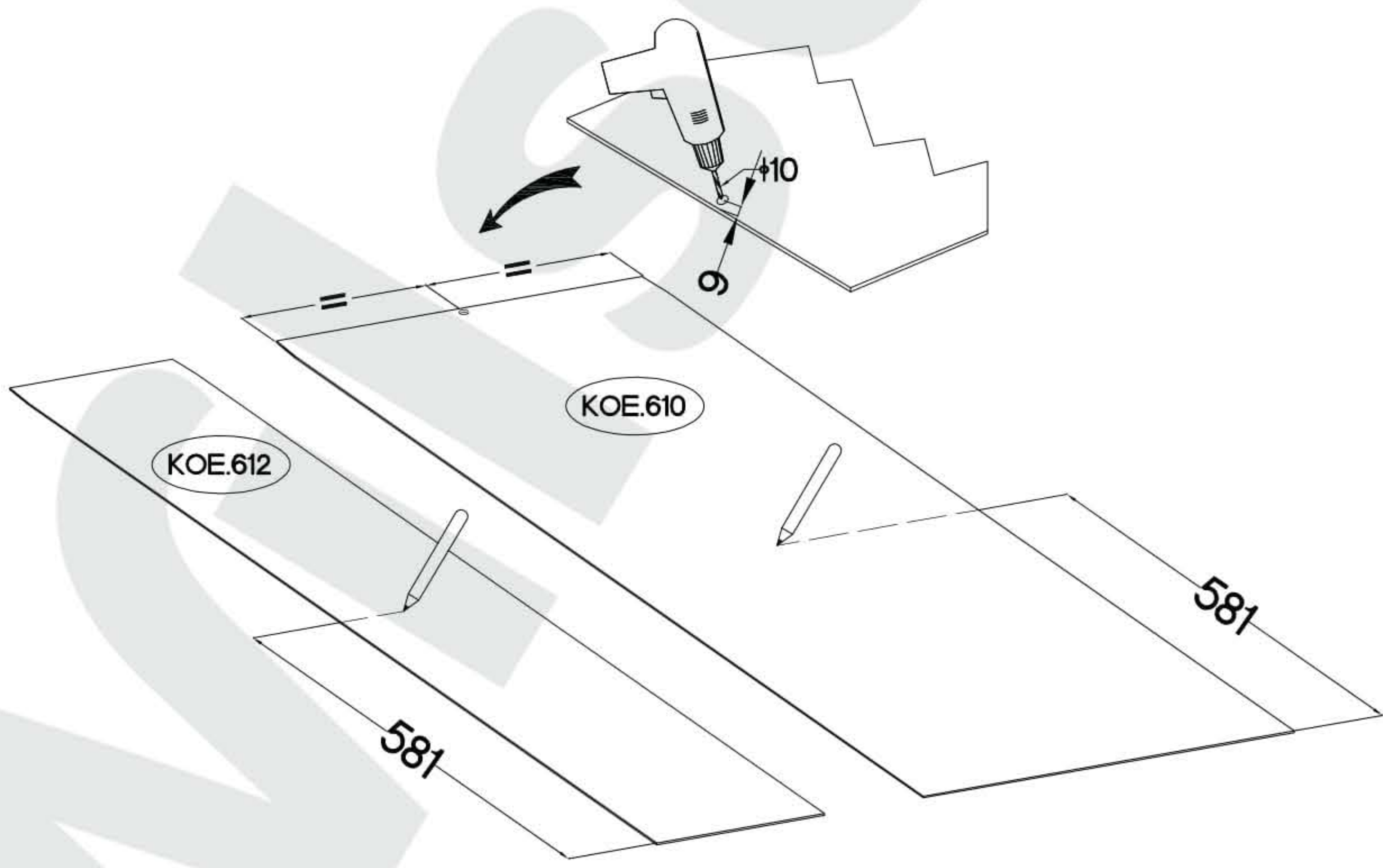
6


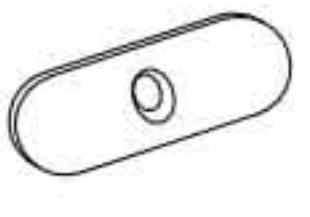
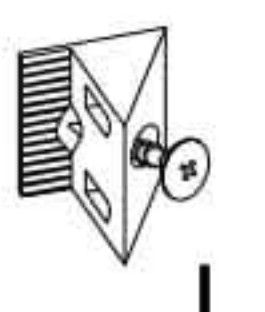


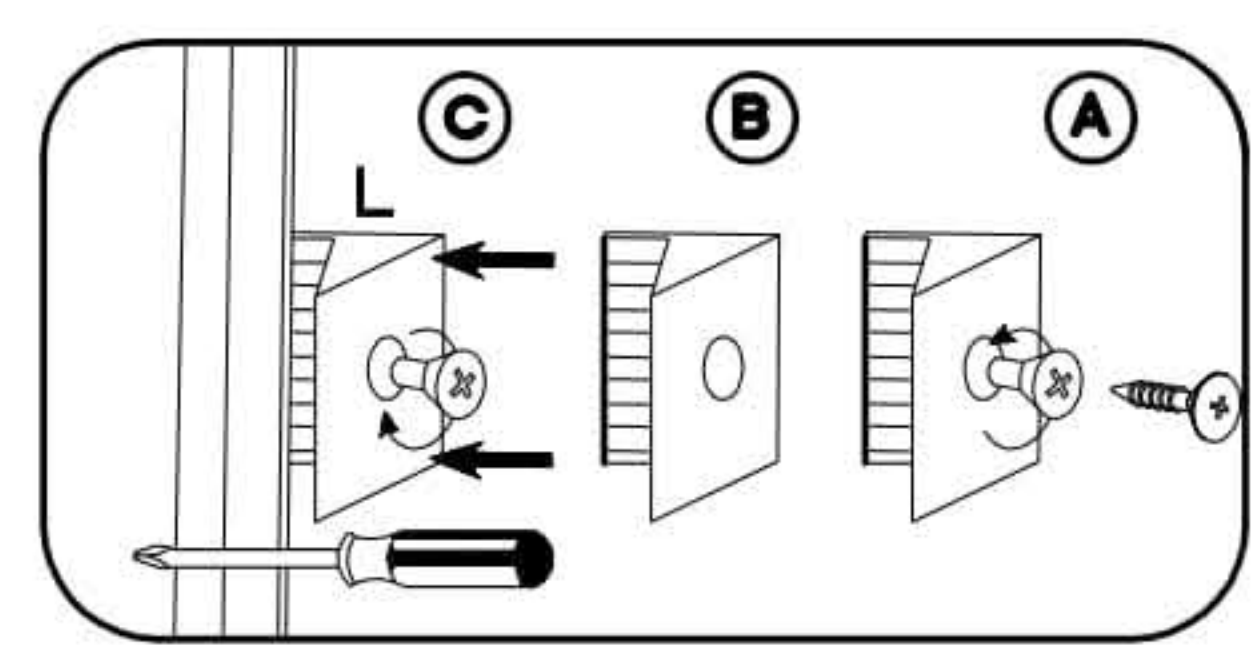
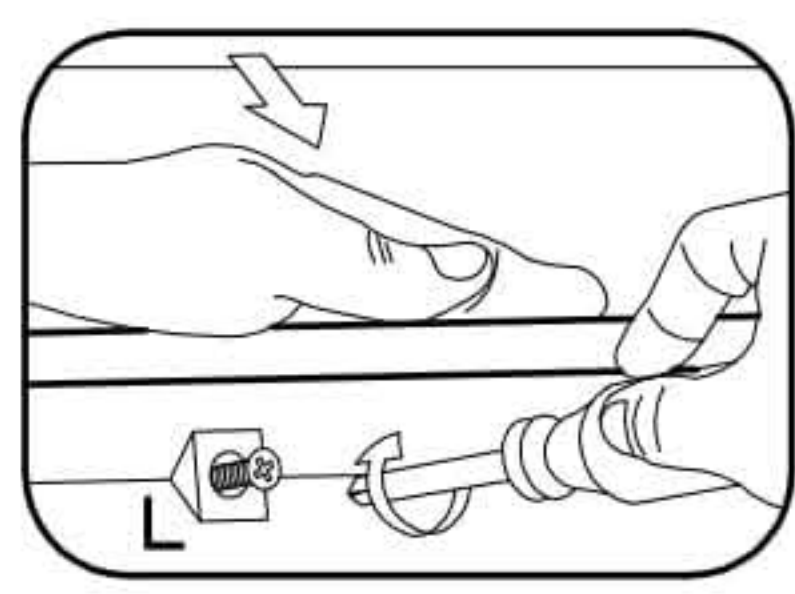
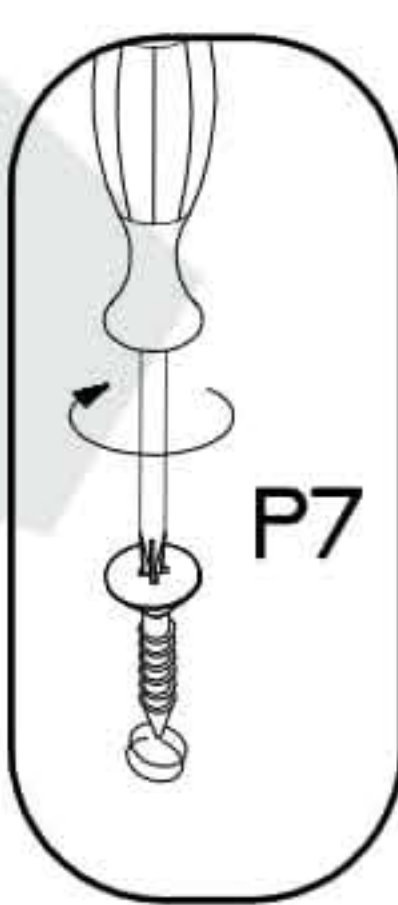
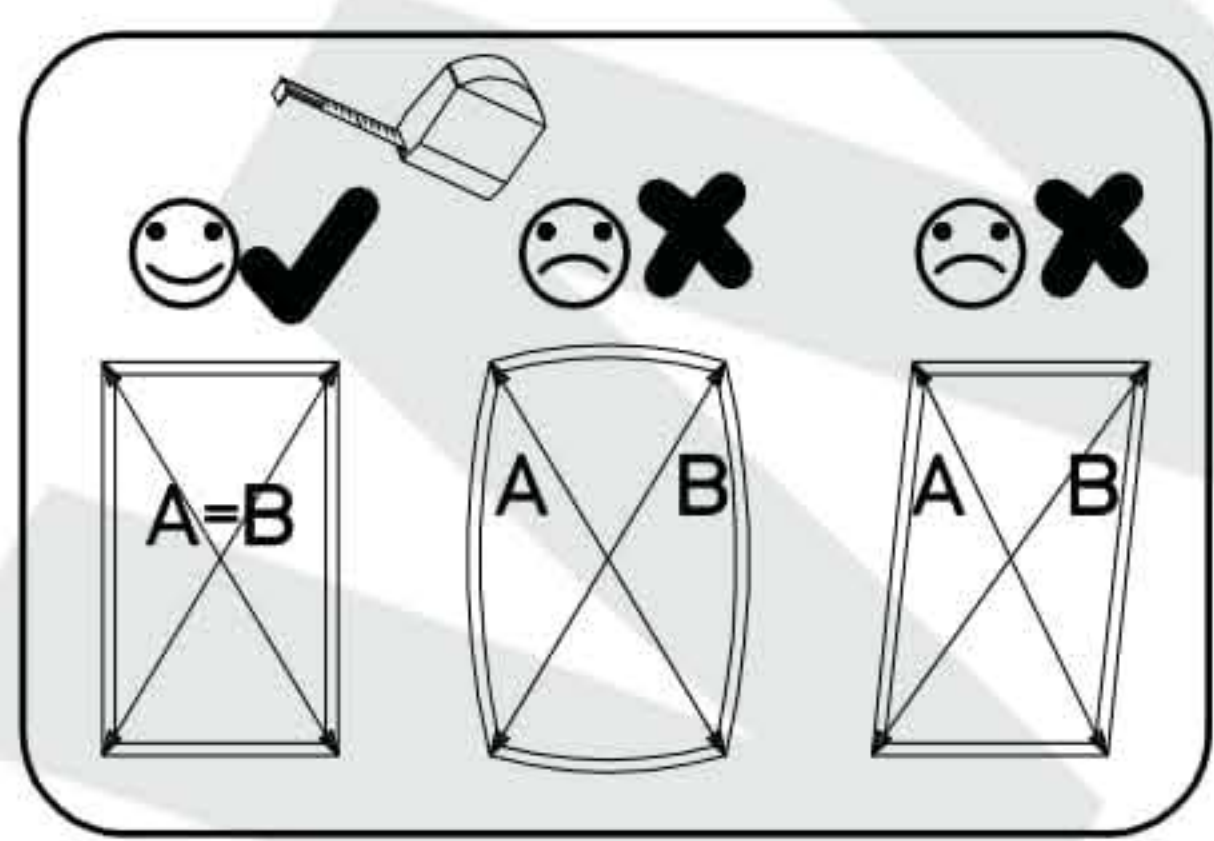
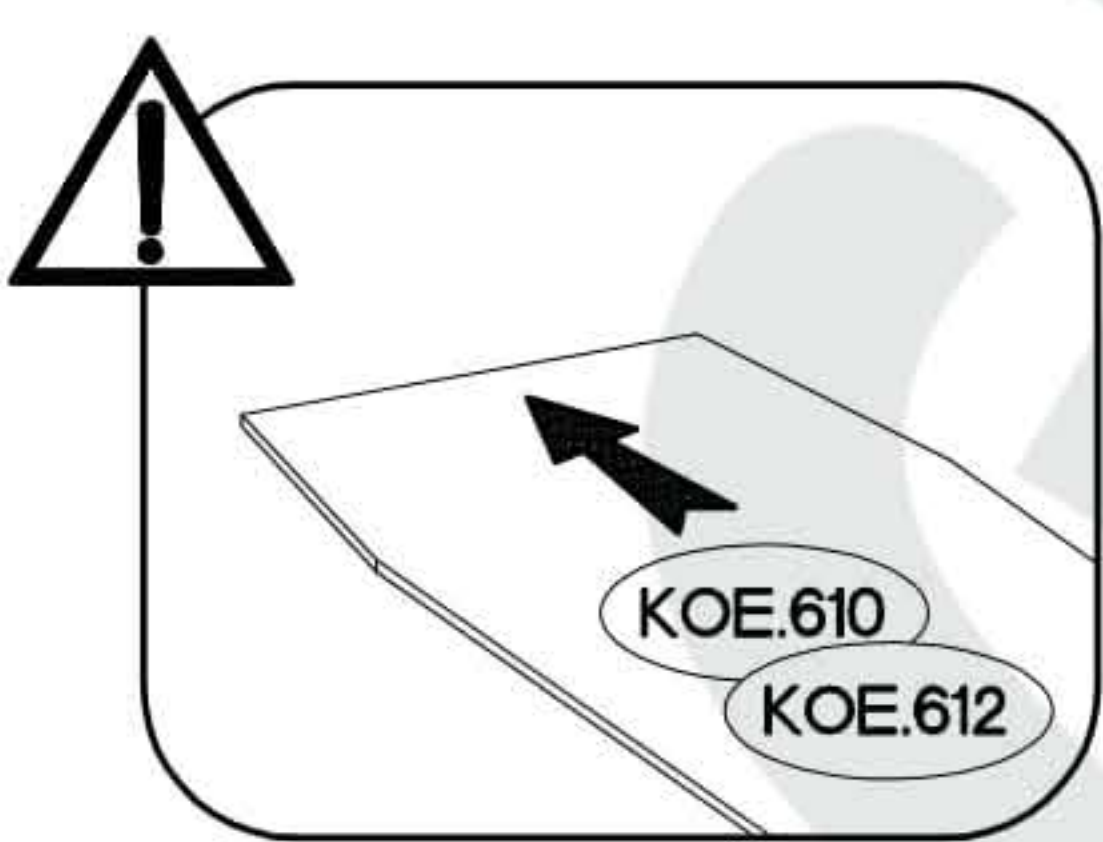
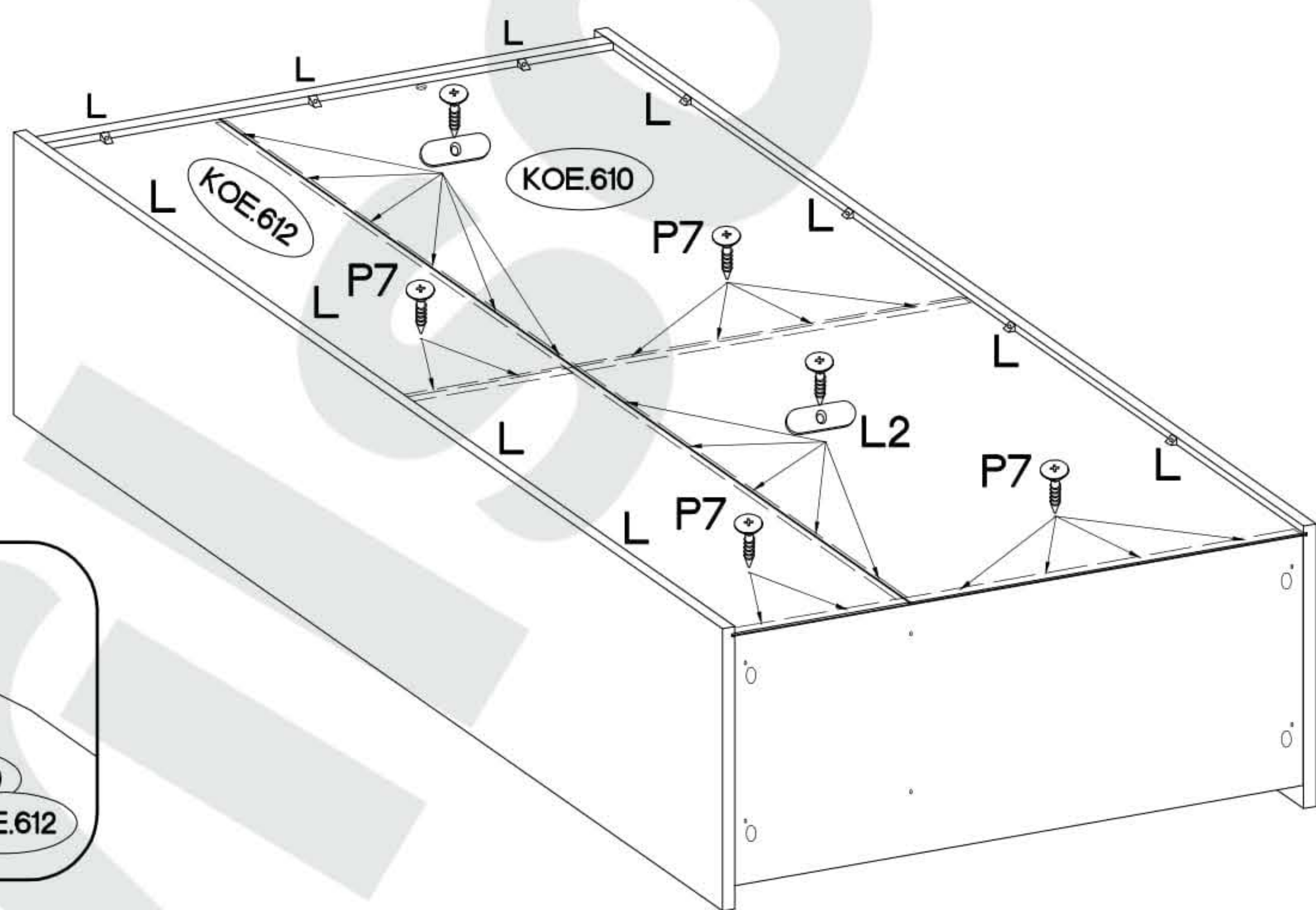
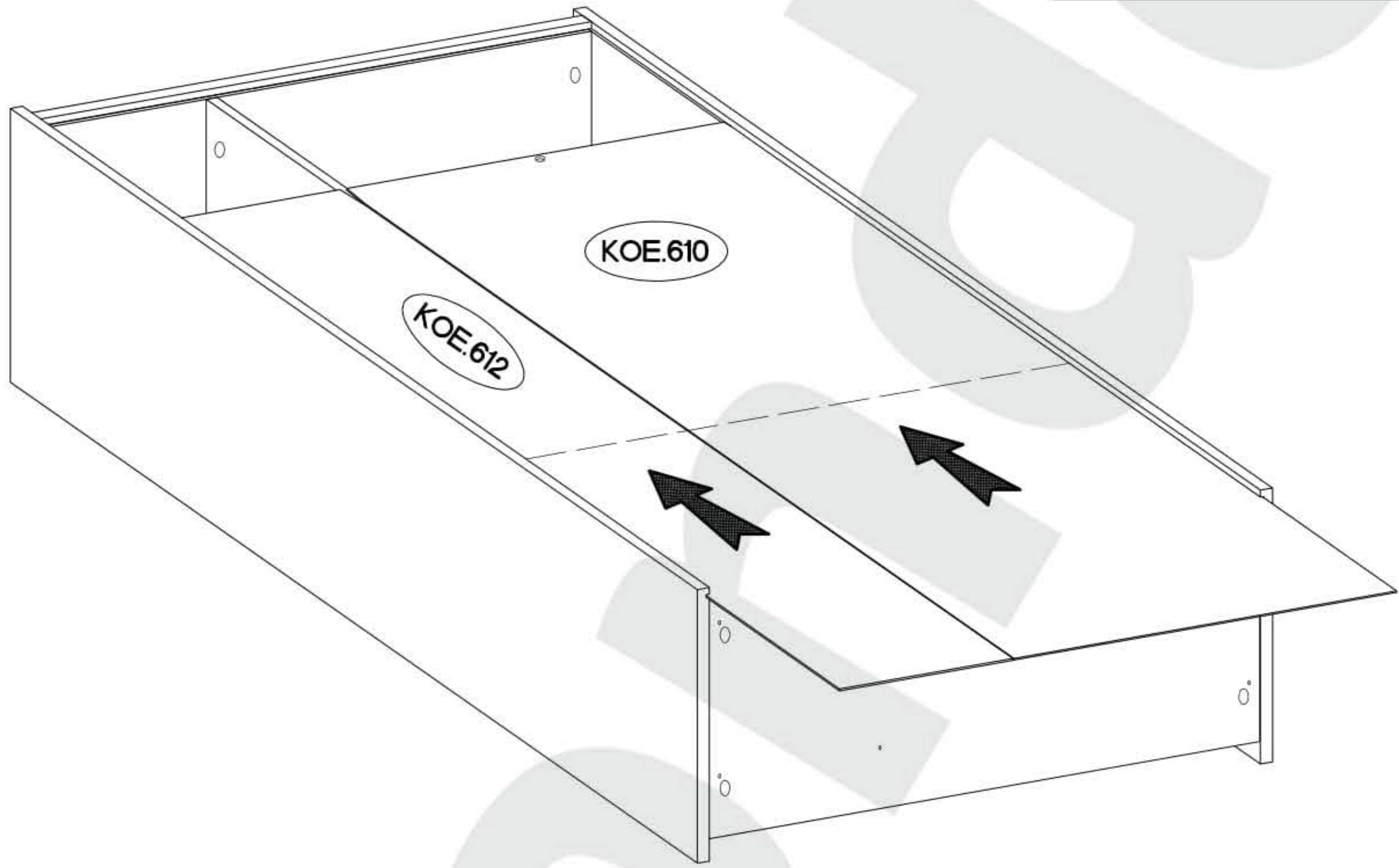
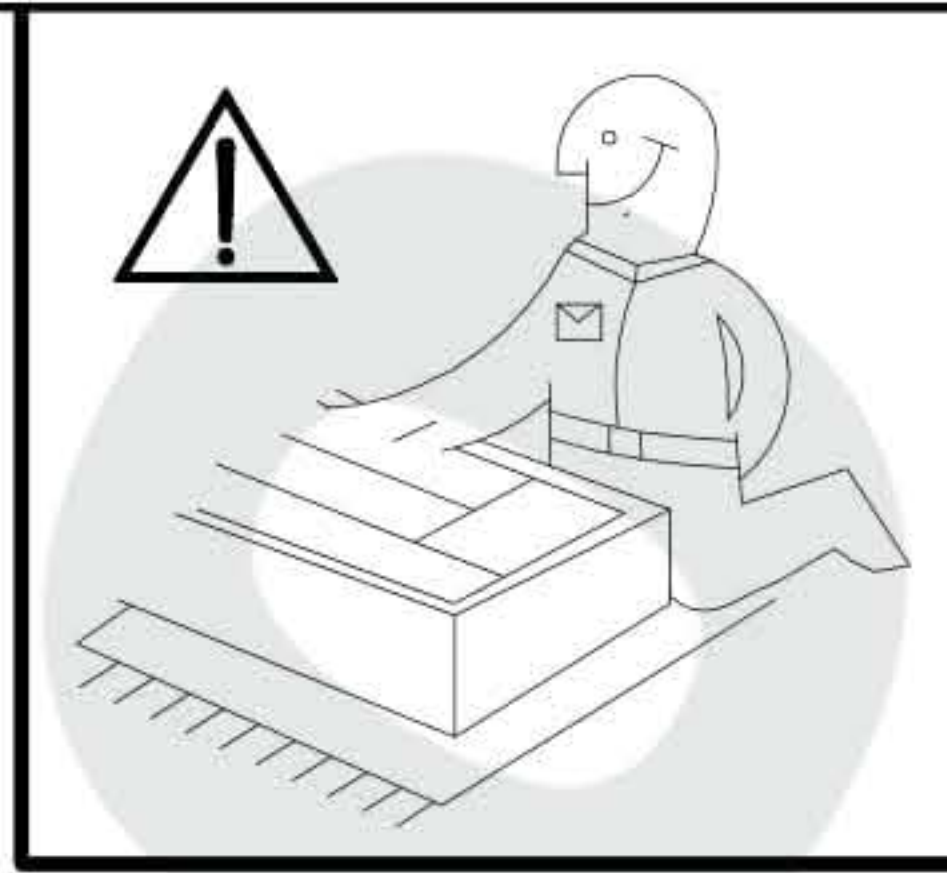
7





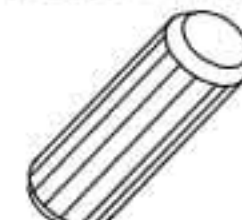
8

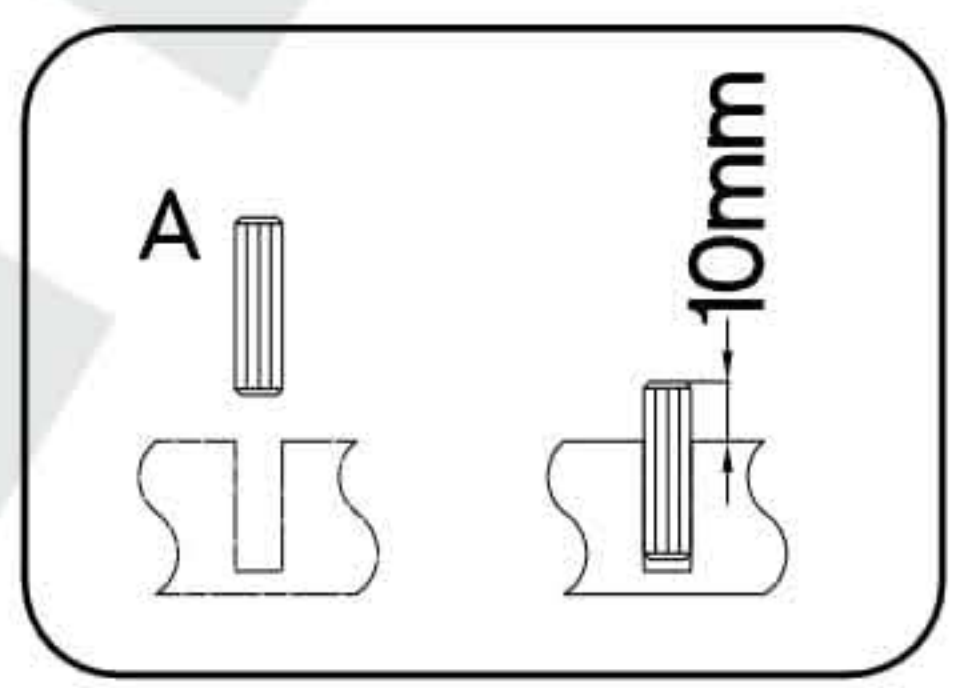
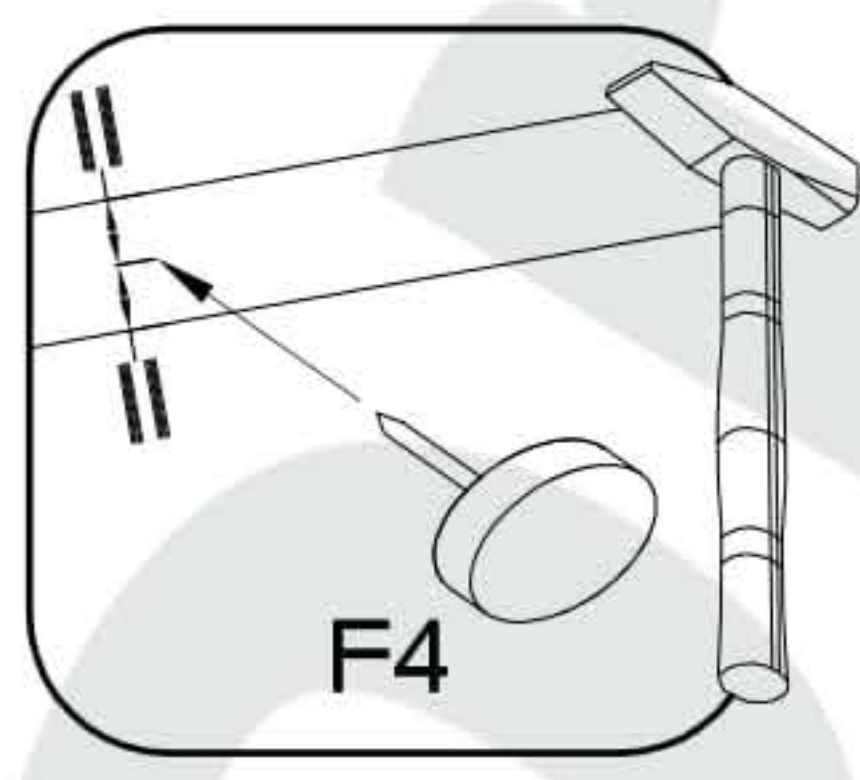
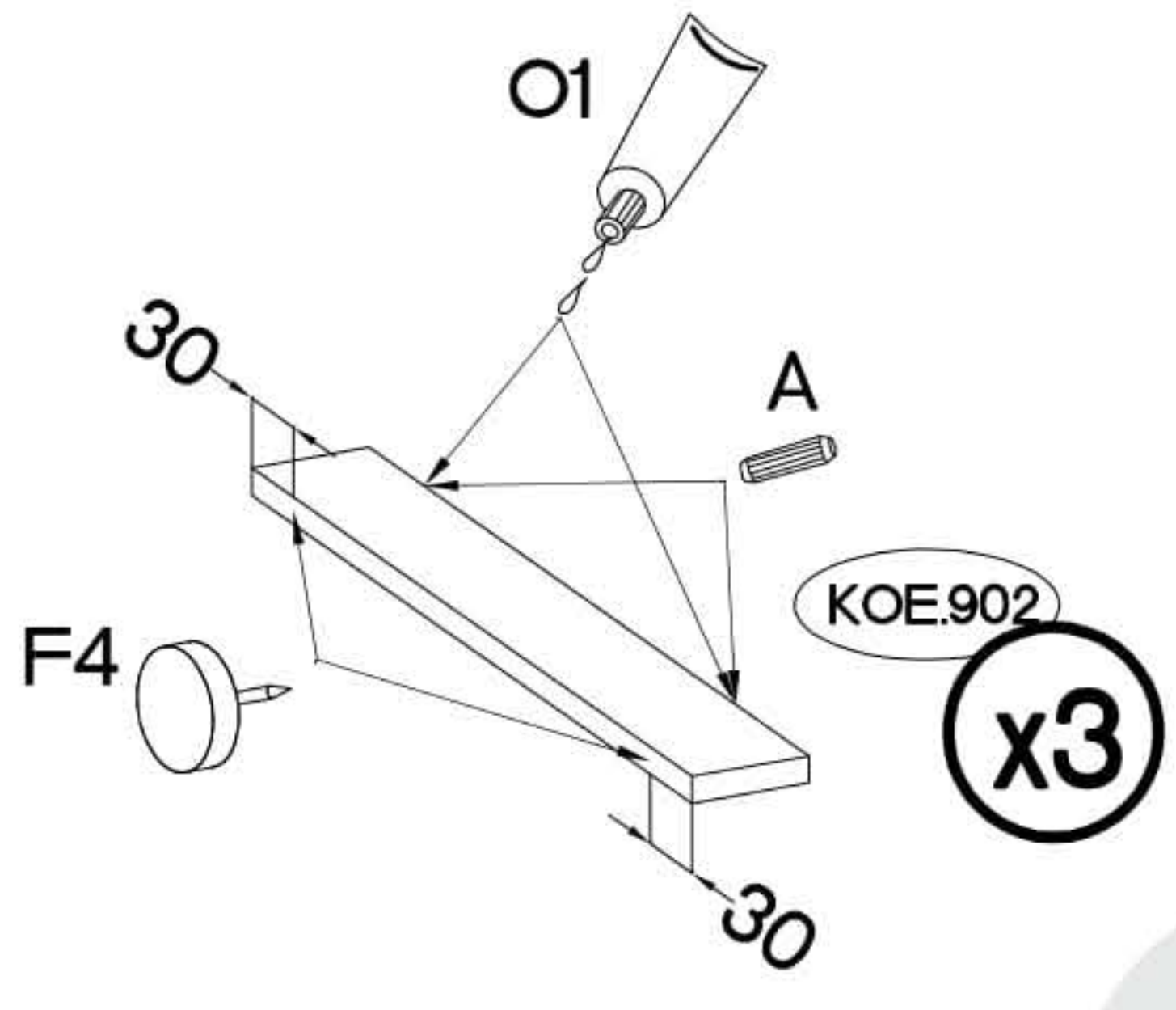
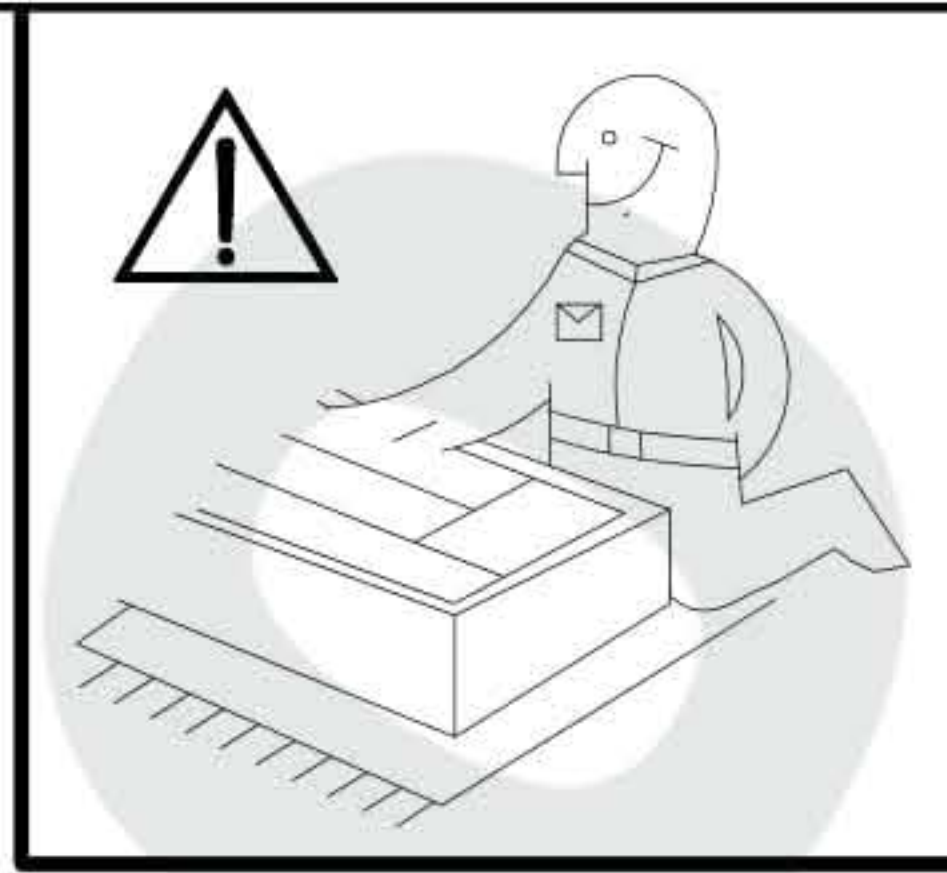


 <p>P7</p> <p>23</p>	 <p>L2</p> <p>11</p>	 <p>L</p> <p>11</p>
---	--	---

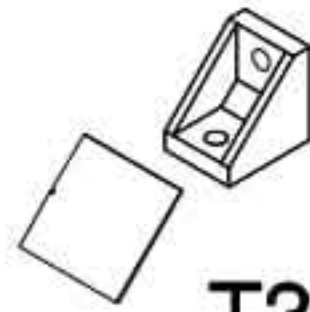



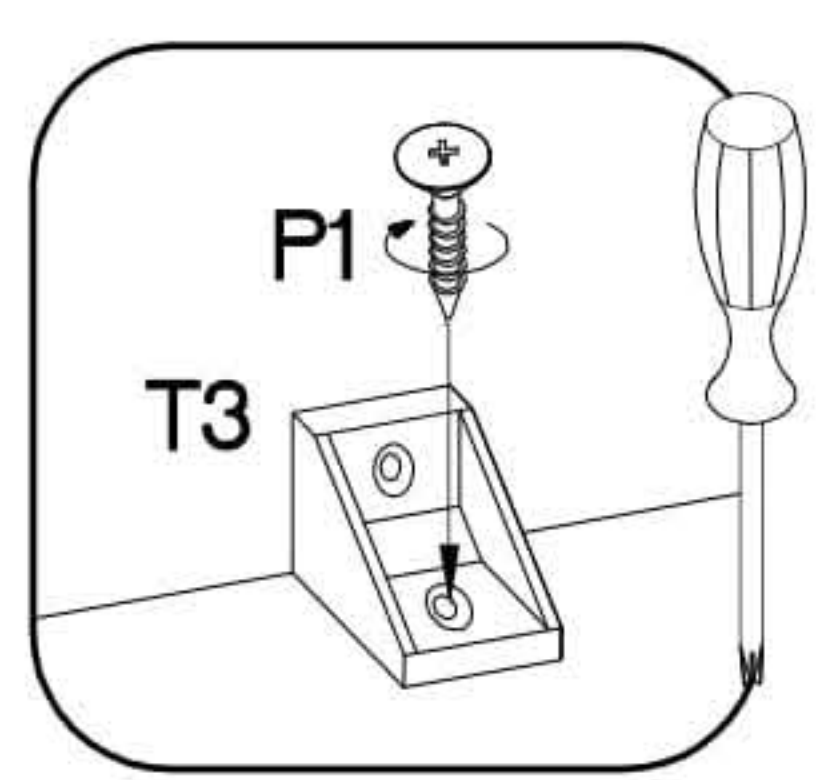
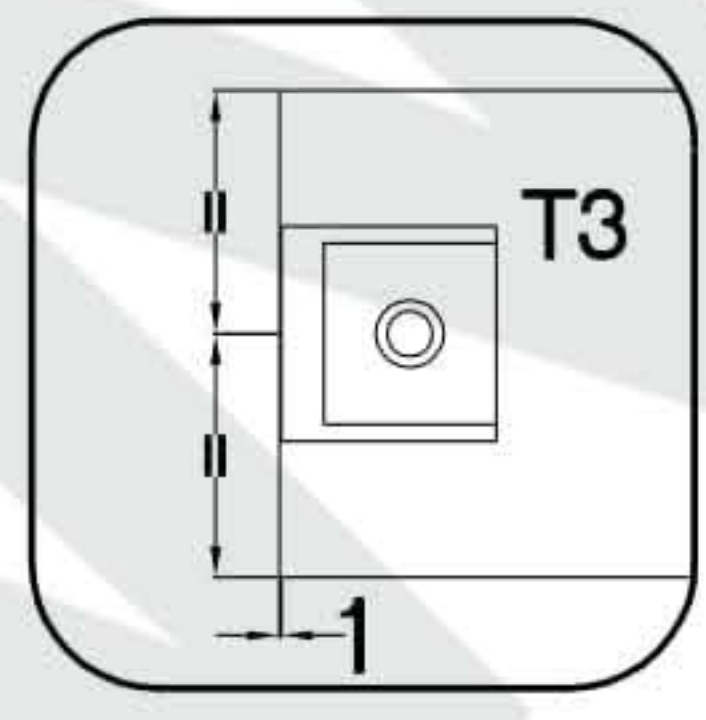
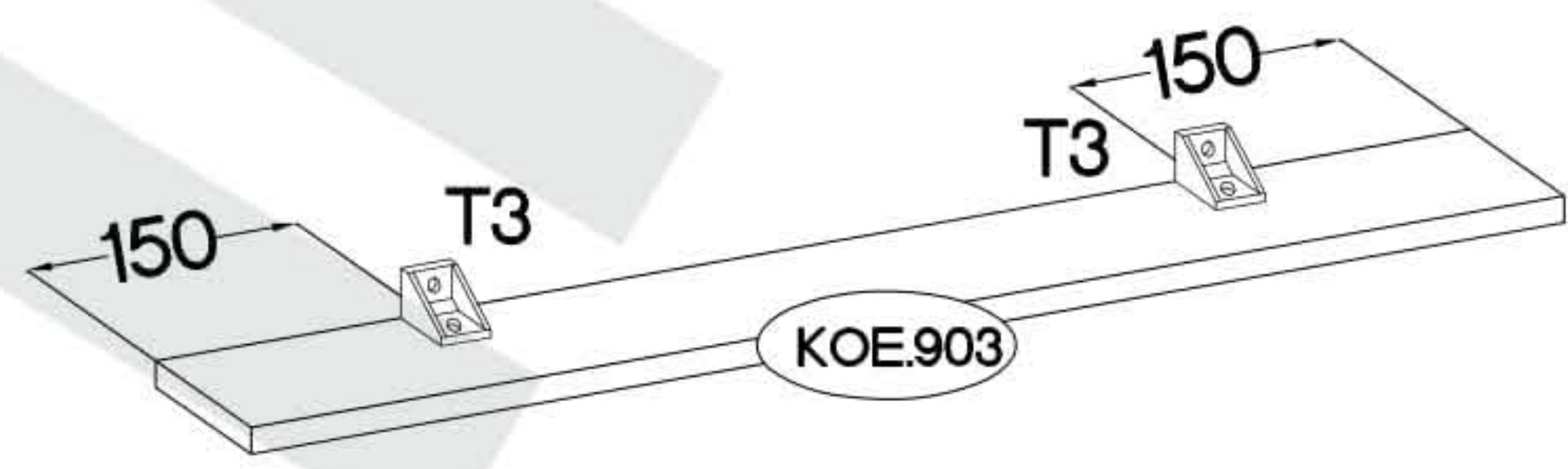
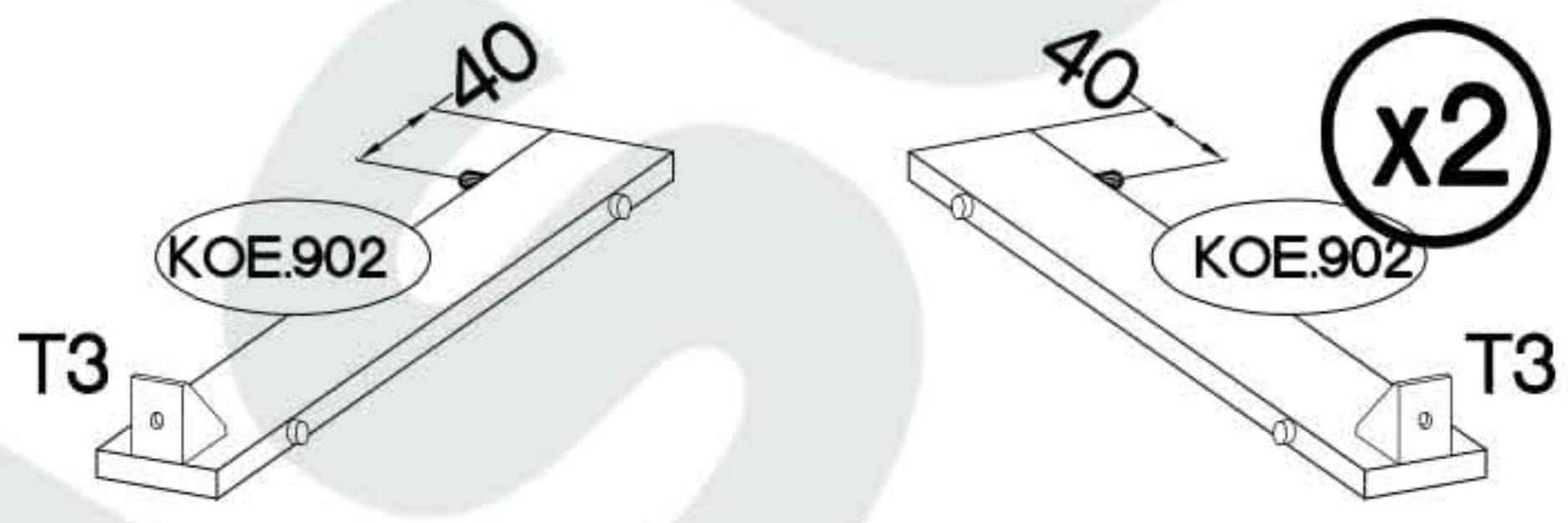
10

±15x5mm  F4 6	 O1 1	±8x30mm  A 6
--	---	---

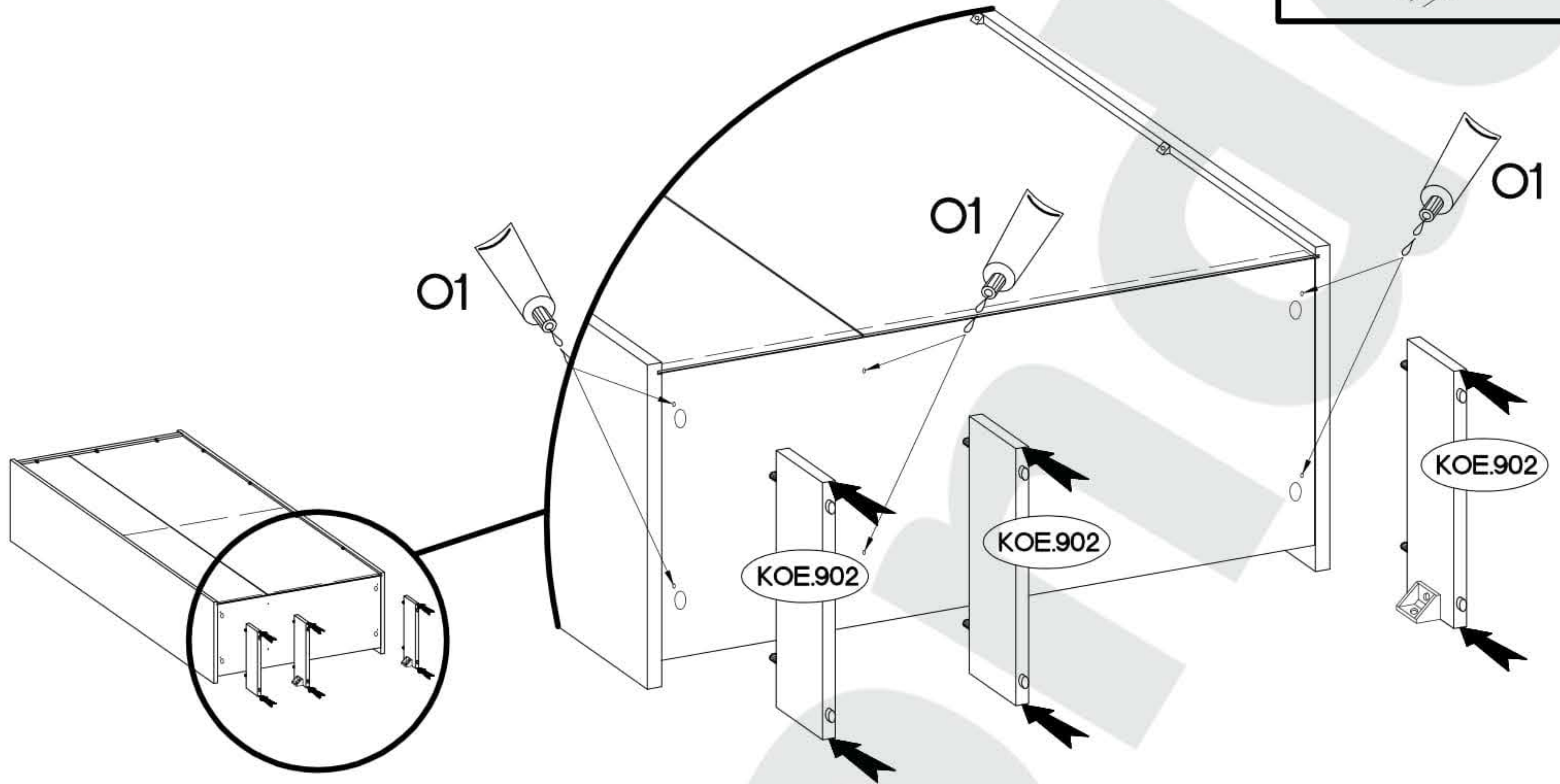
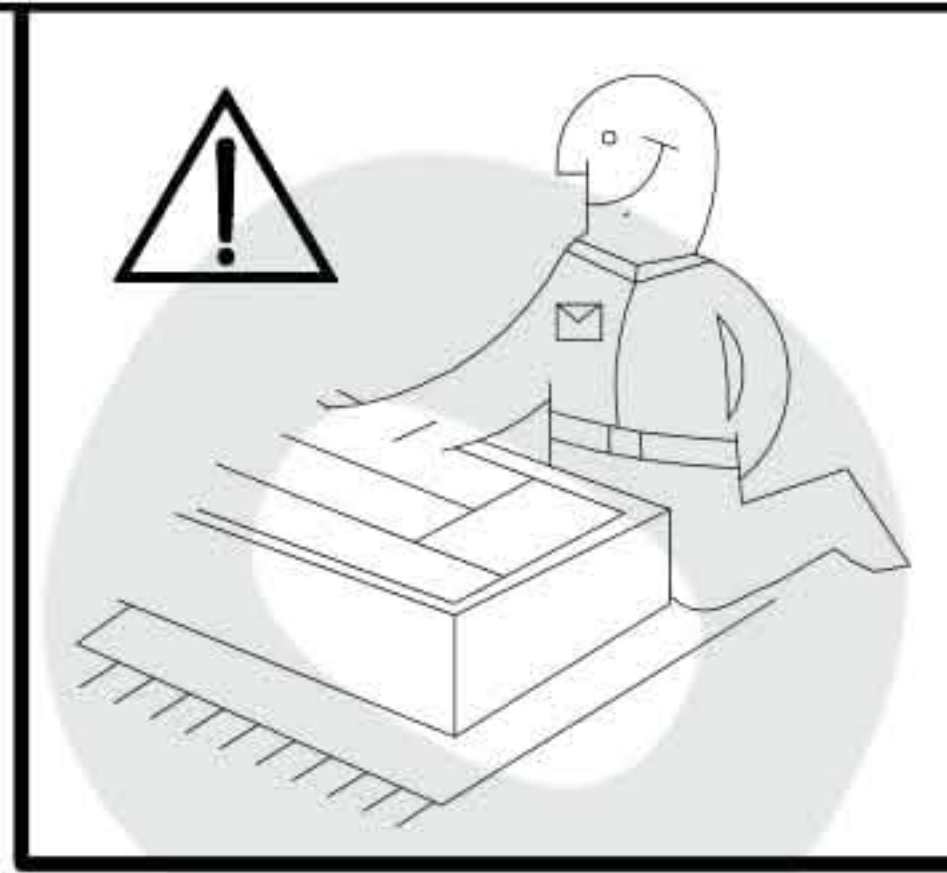
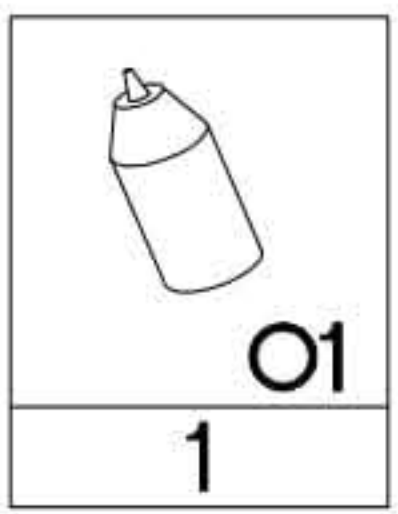


11

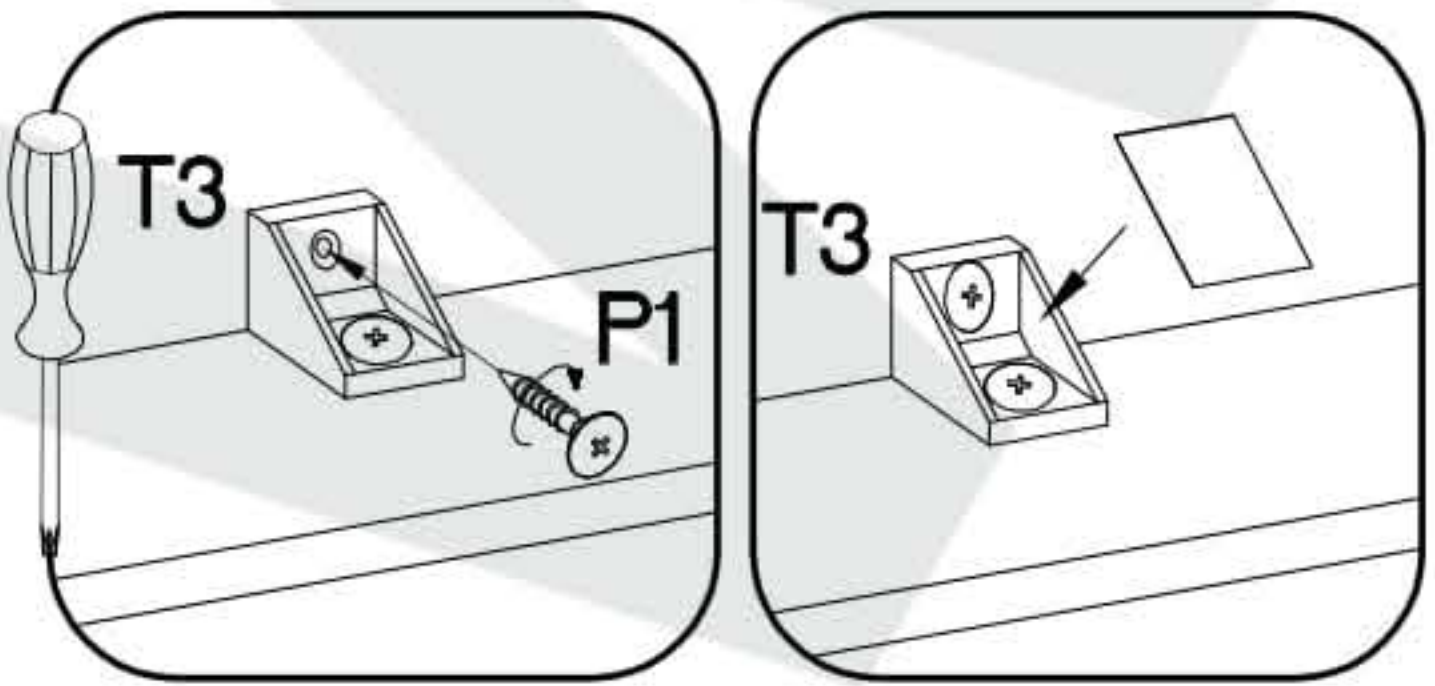
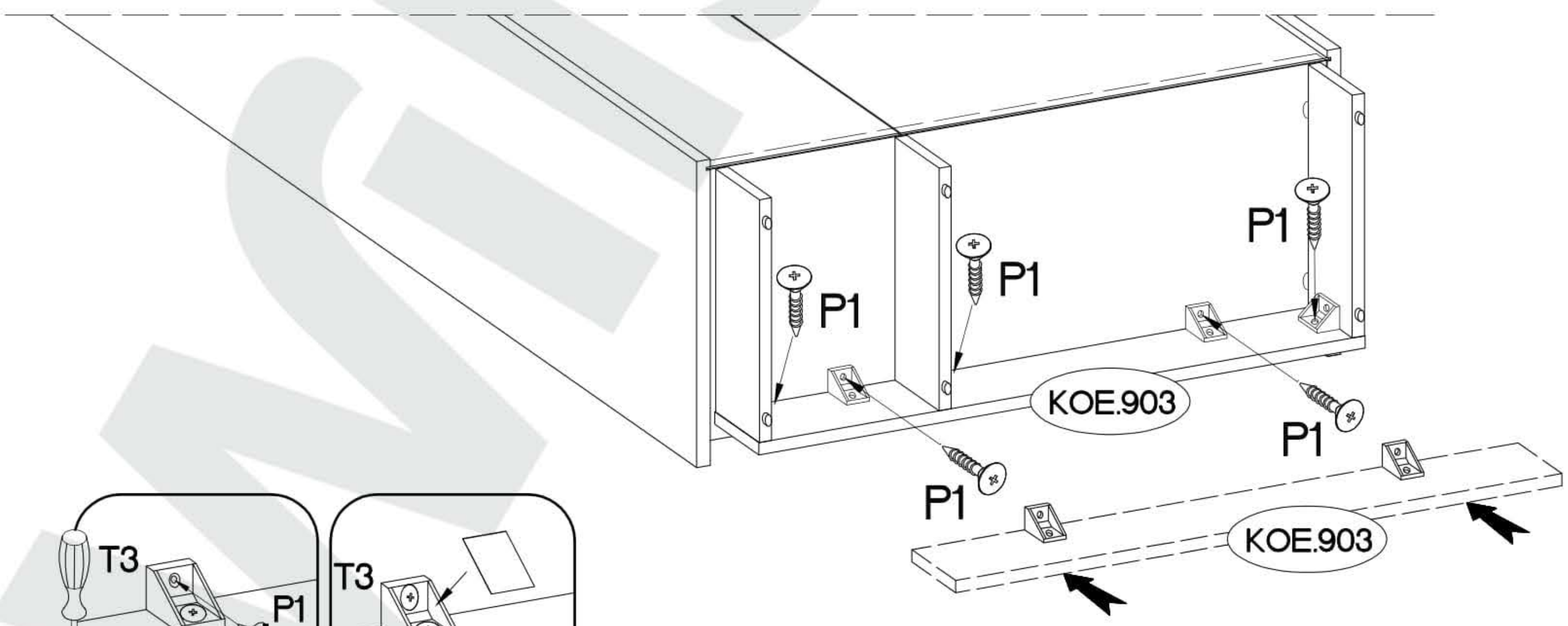
 T3 5	±4.0x16mm  P1 5
--	---

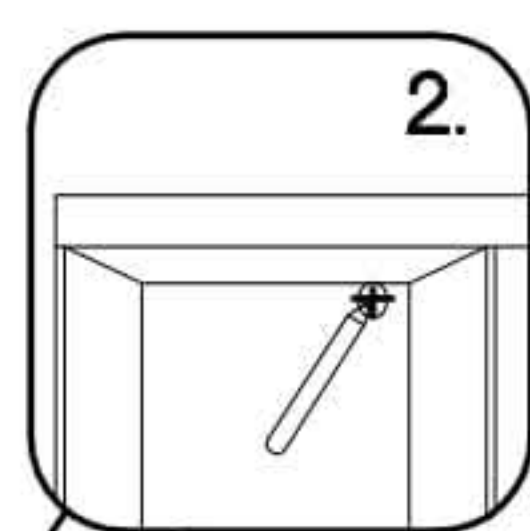





12

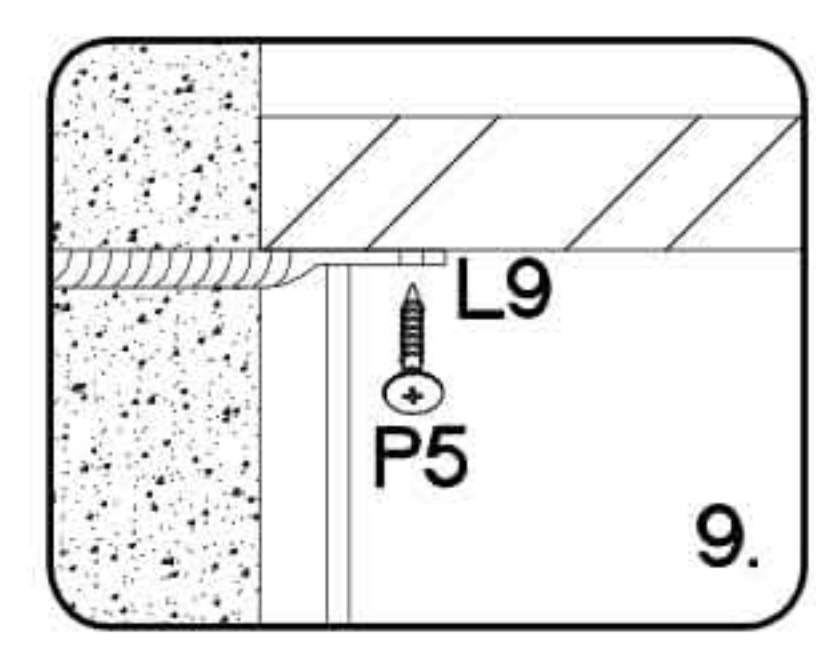
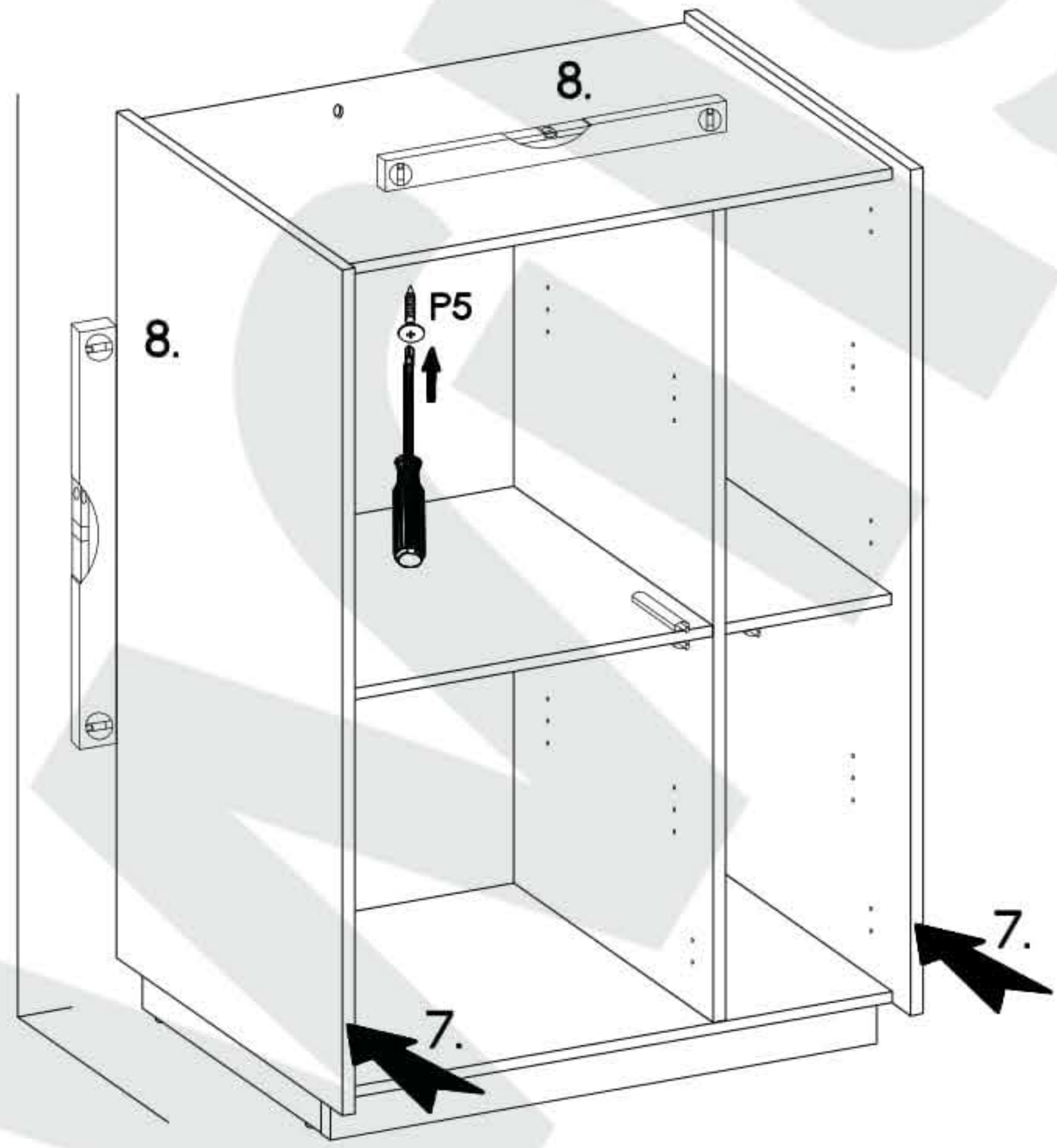
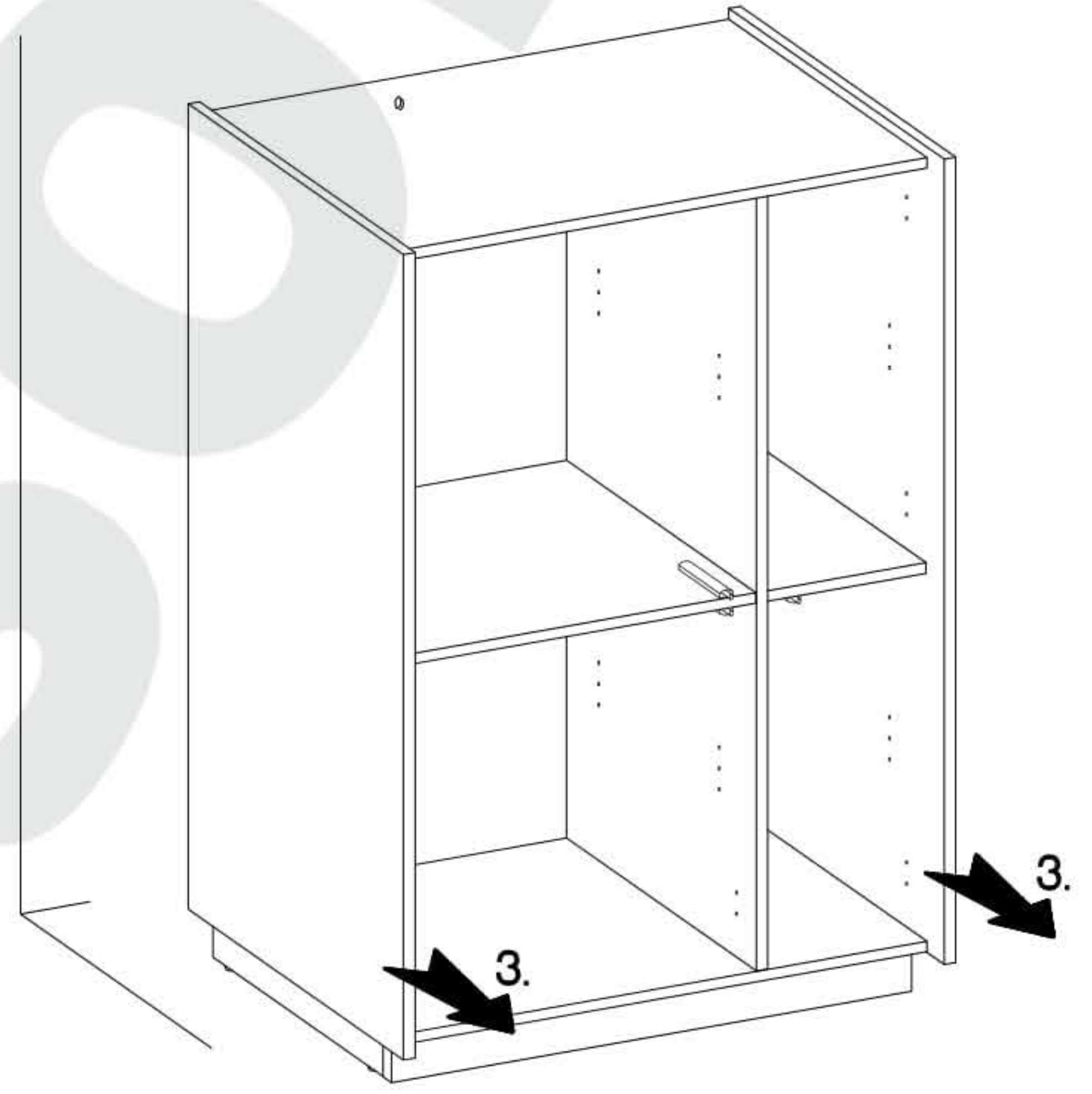
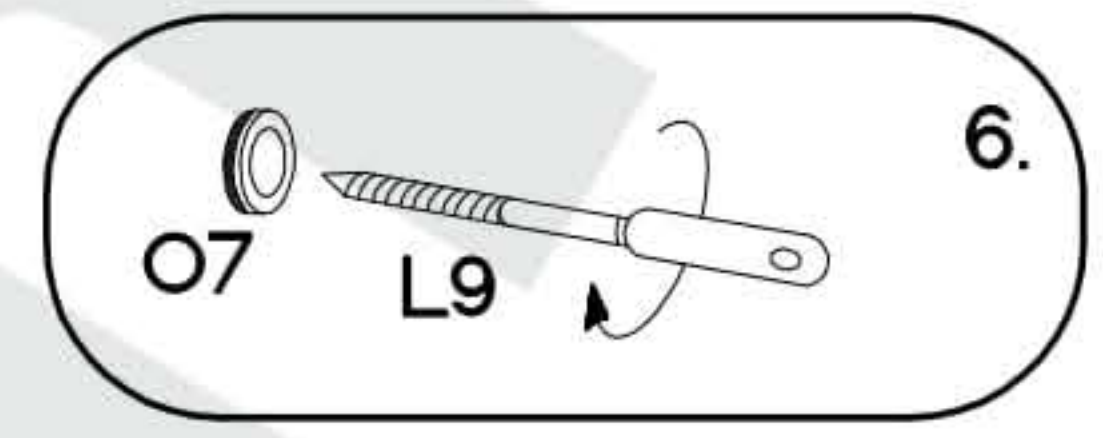
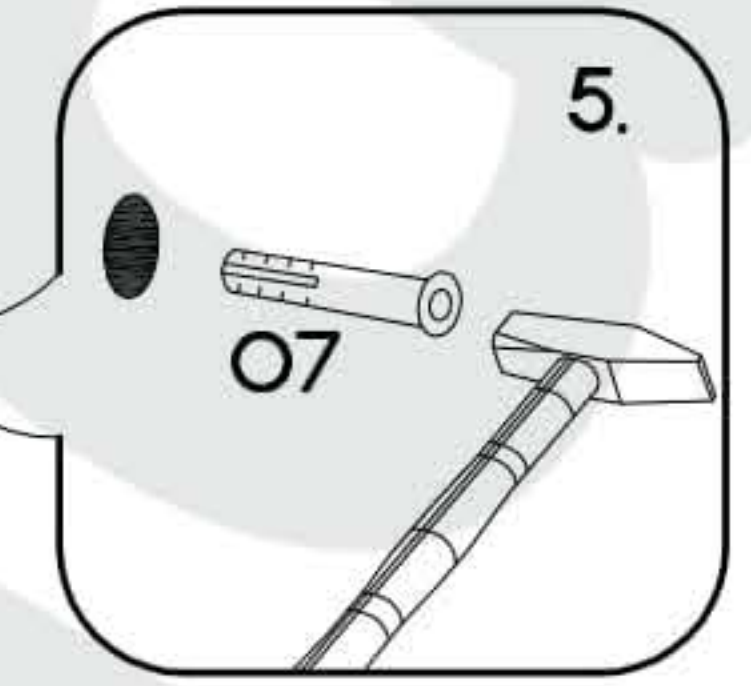
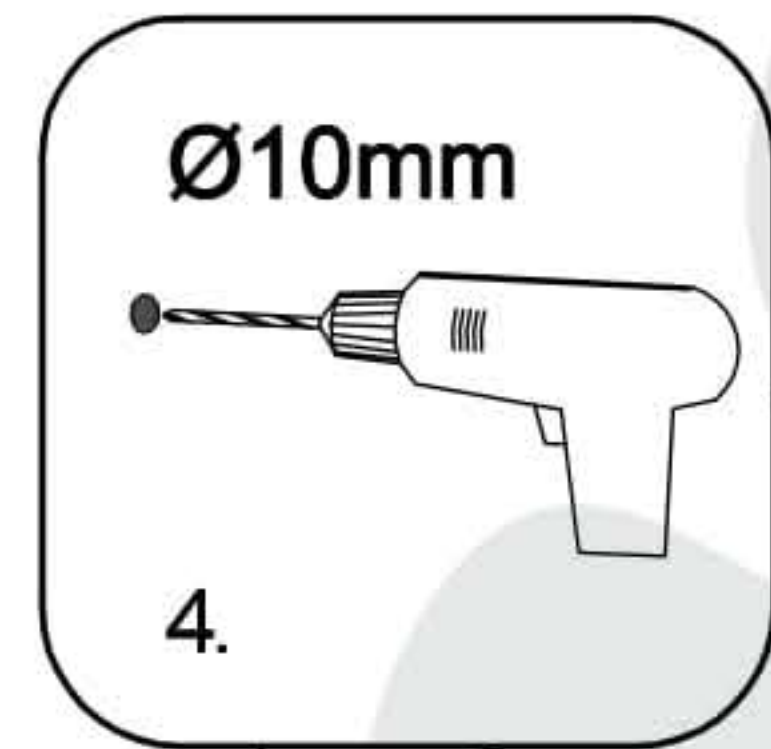
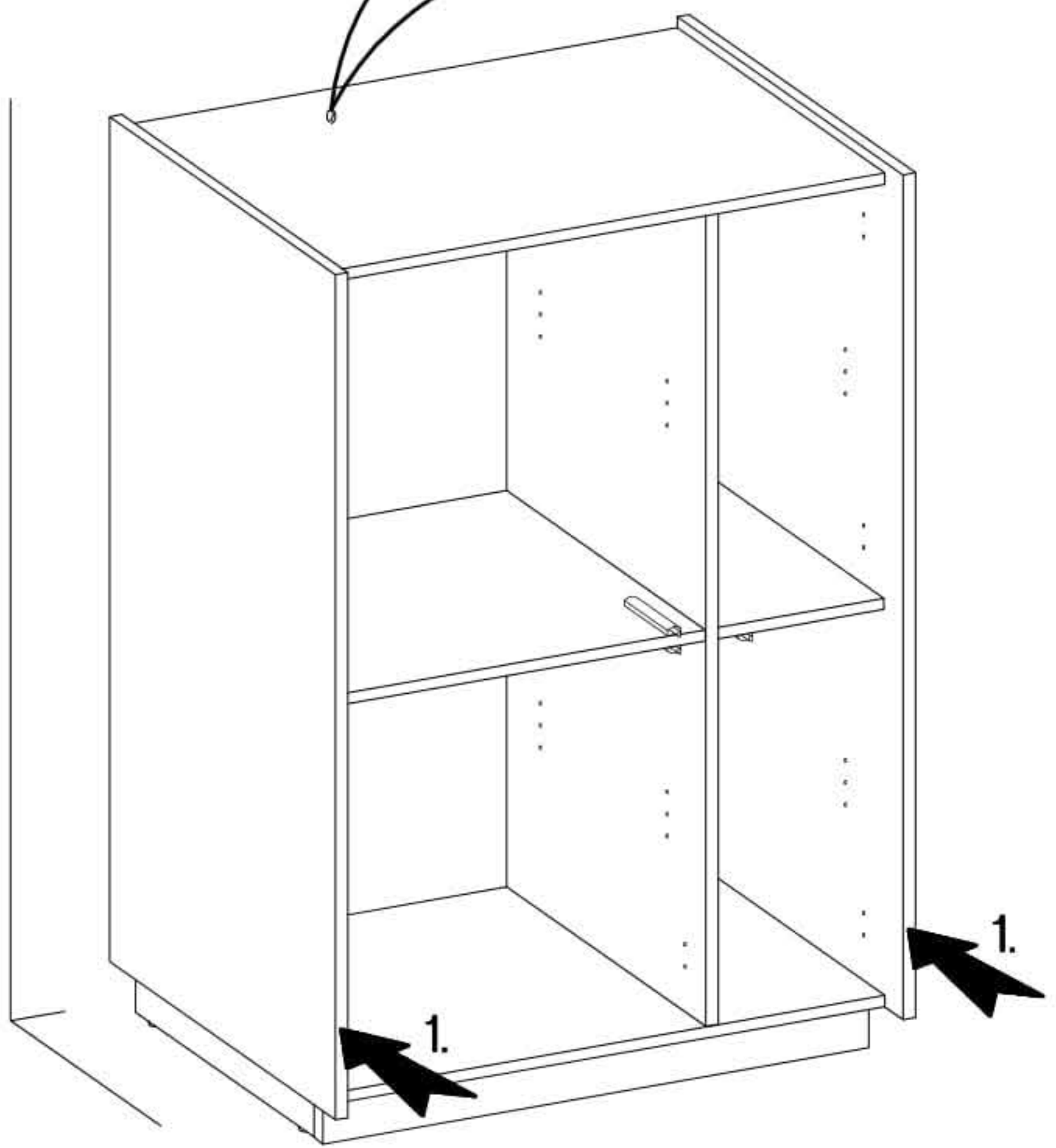
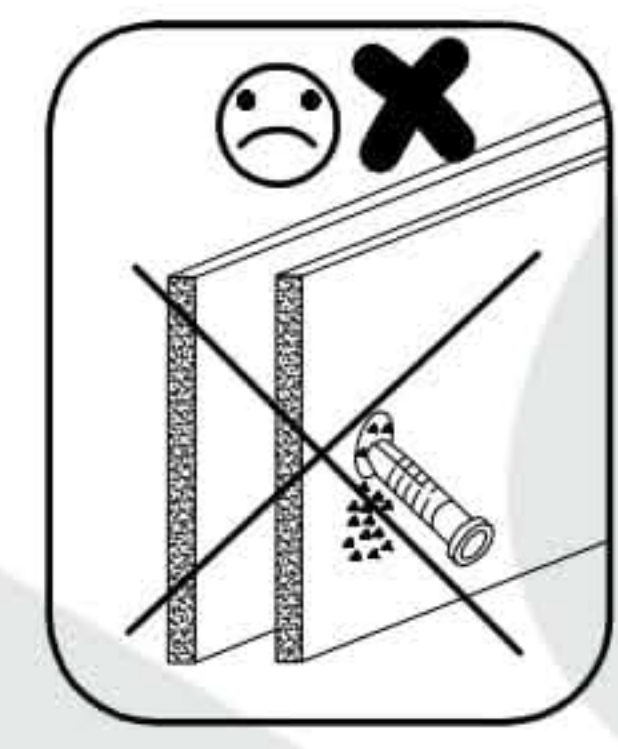



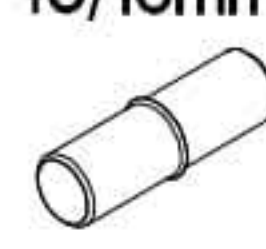
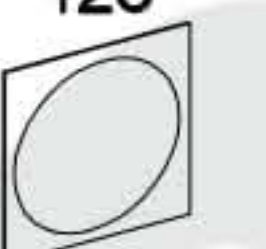
13

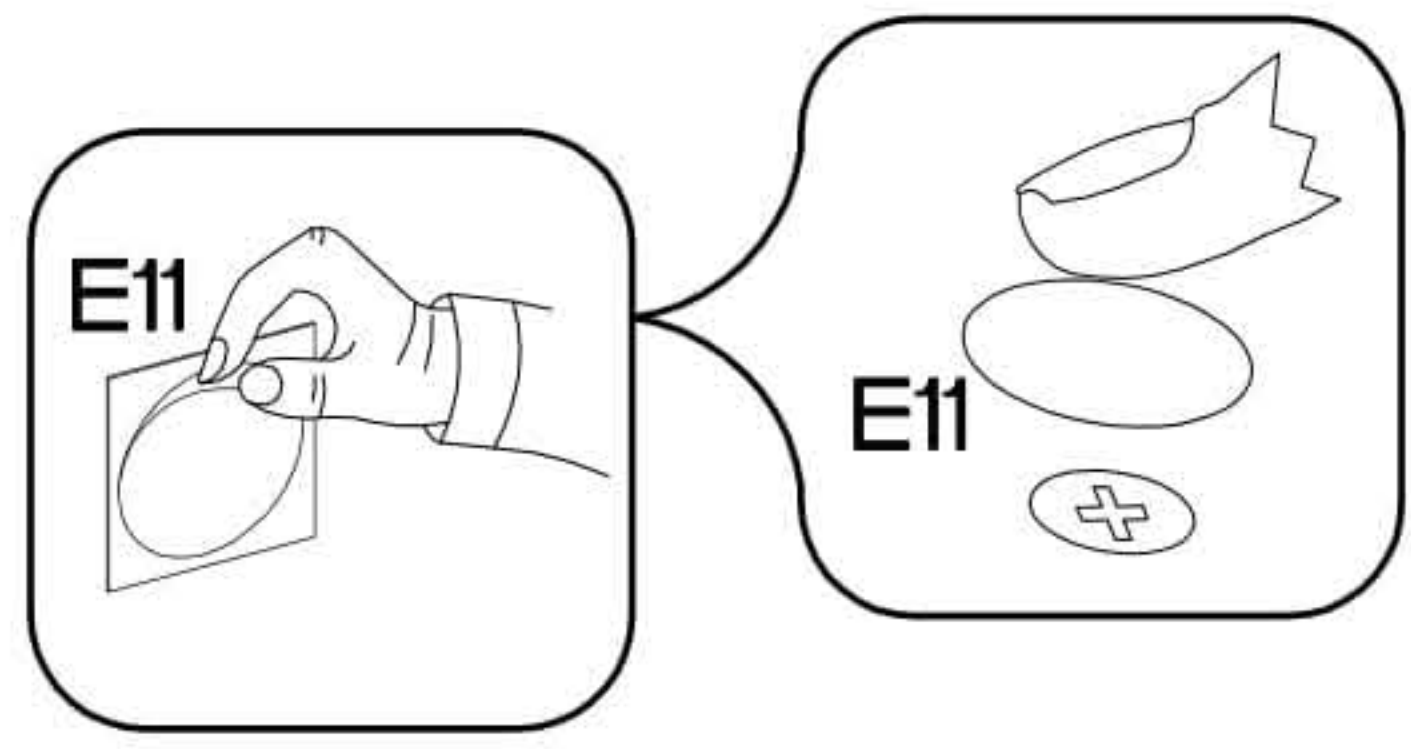
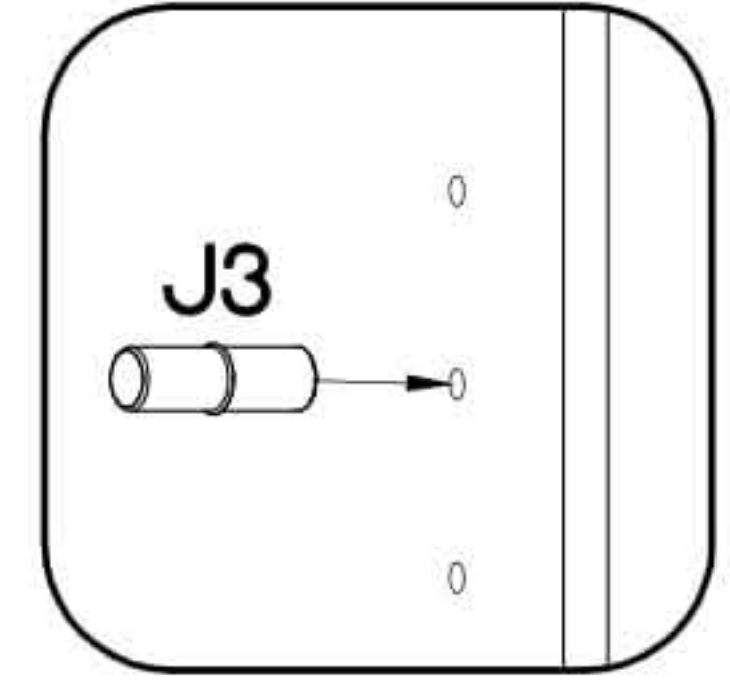
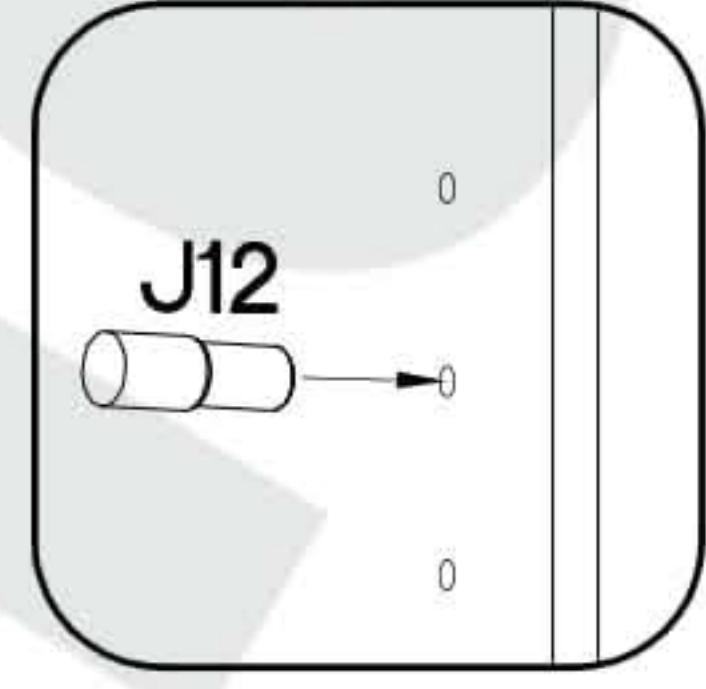
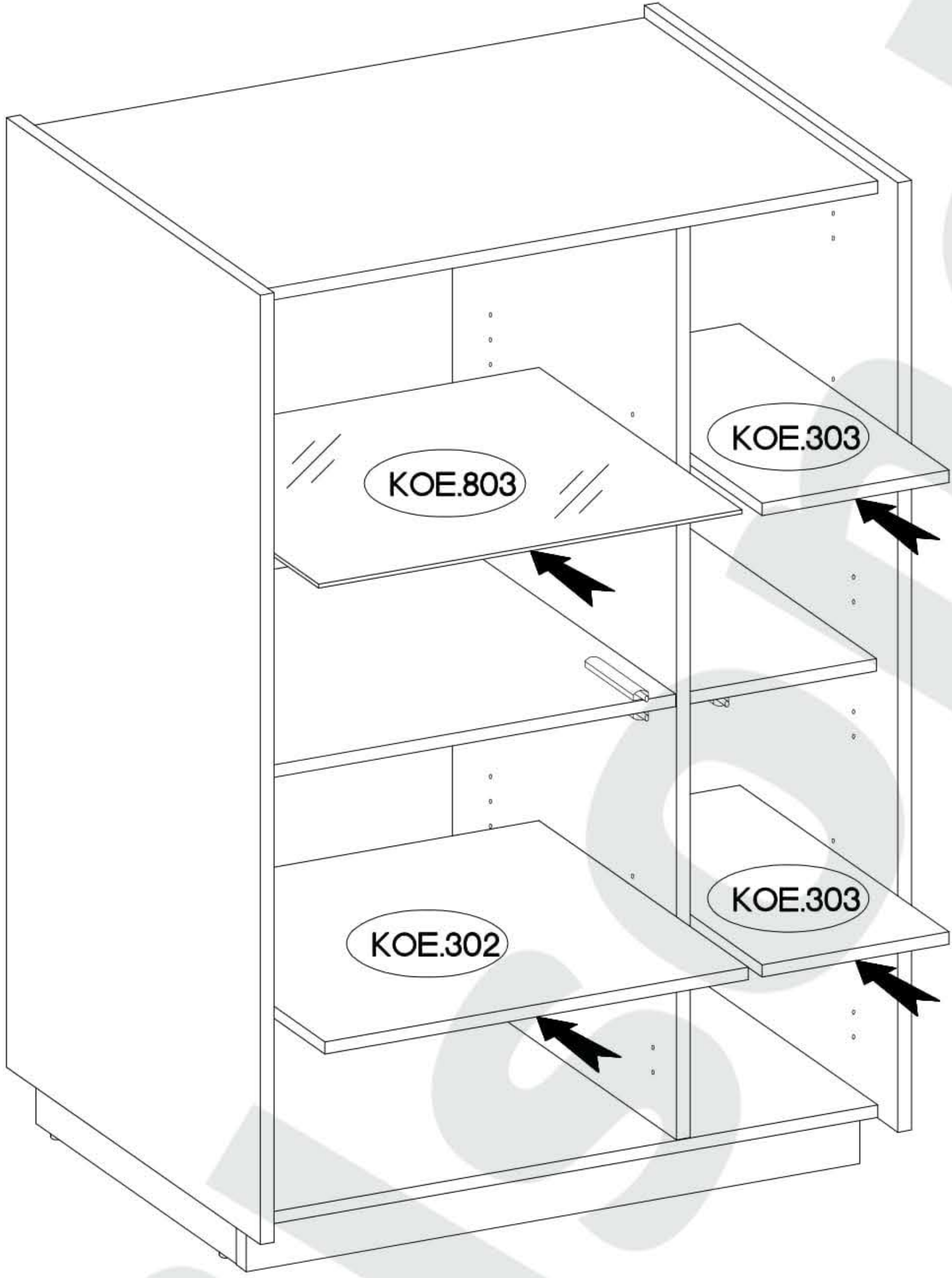




†10x50mm  O7 1	 L9 1	†3.5x13mm  P5 1
---	--	--

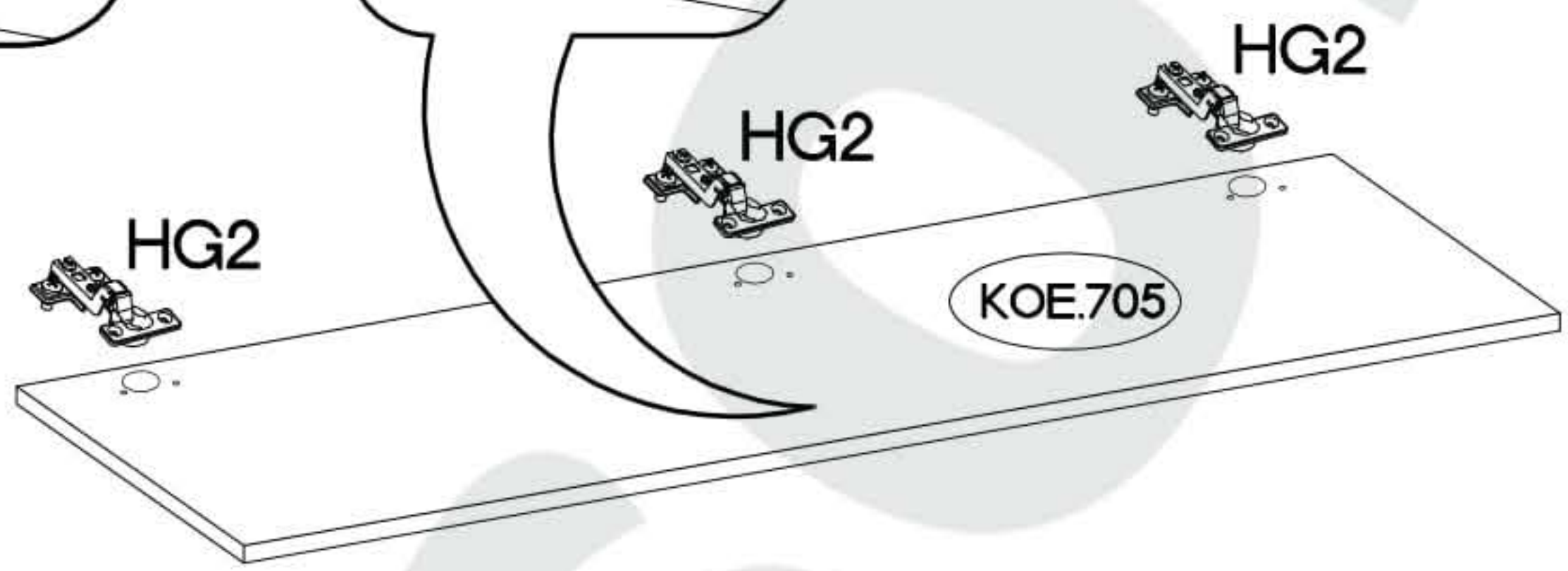
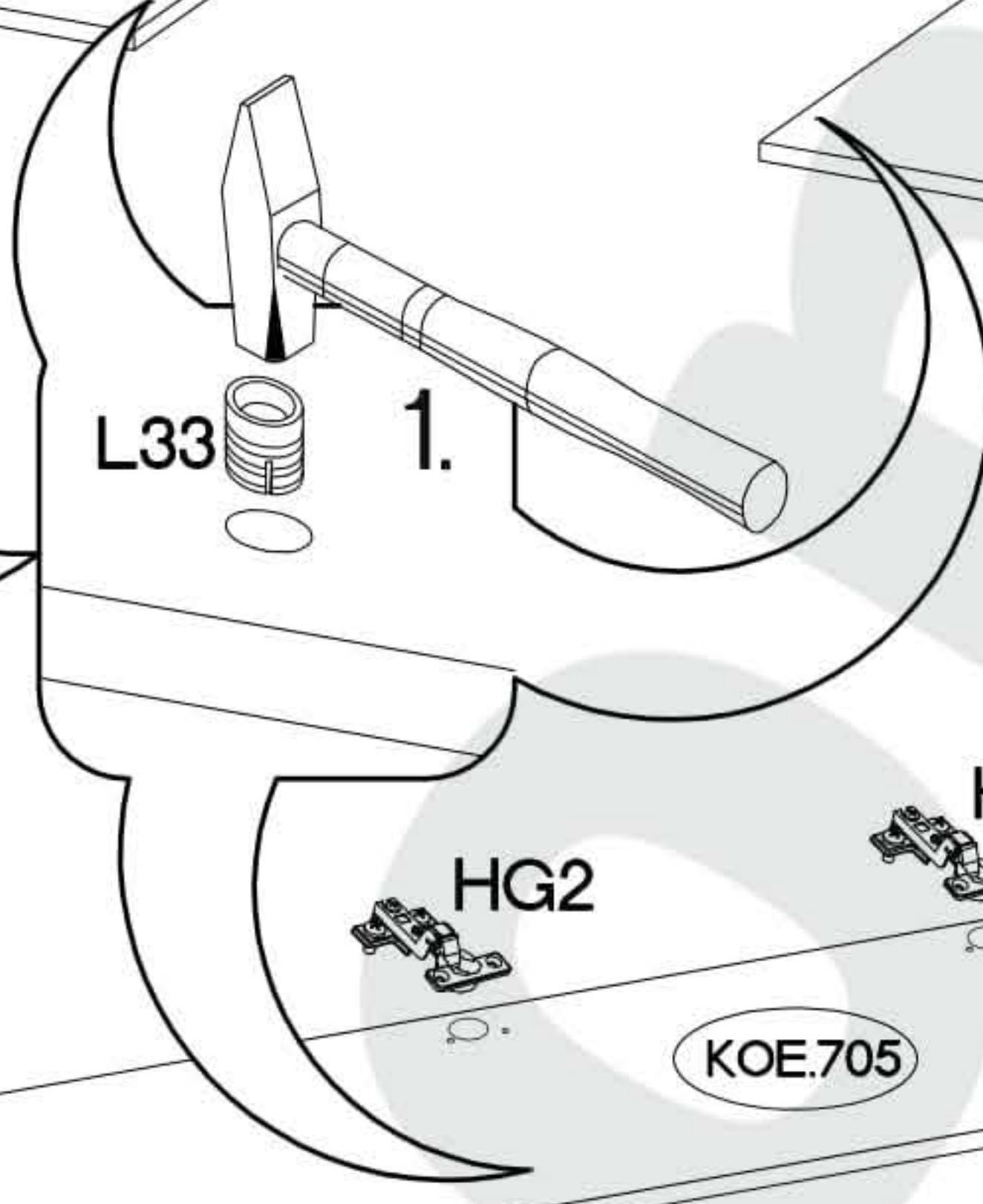
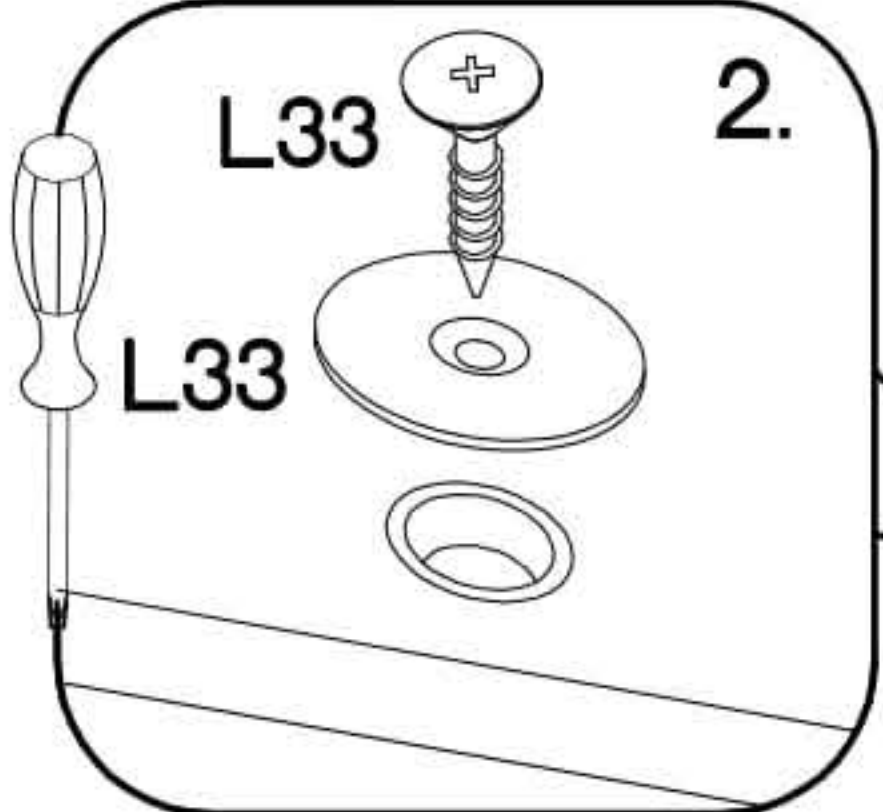
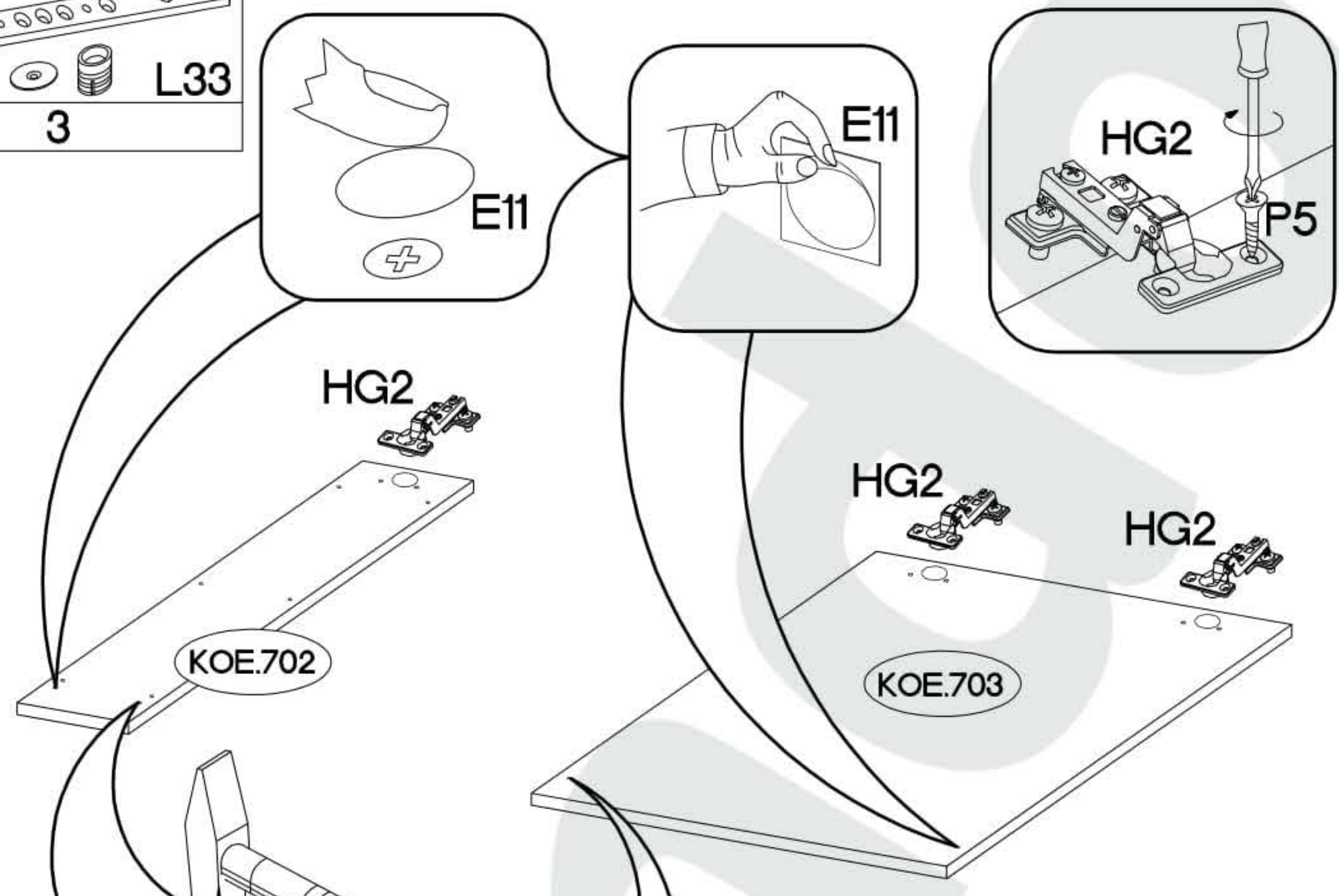
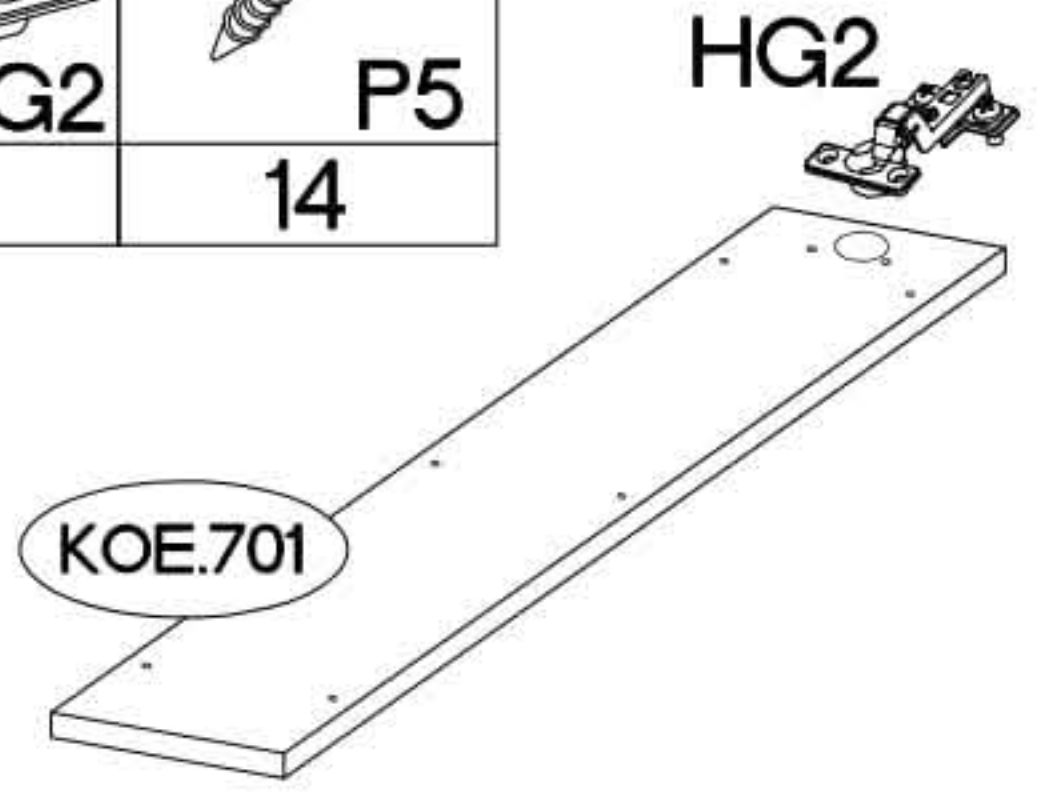


	$\pm 5/16$ mm		± 20		± 20
J12		J3	orz.	E11	bez E11
4		12		8	8



± 20 or. E11 1	± 20 bež E11 1	 L33 3
--------------------------	--------------------------	--------------

$\pm 35/16\text{mm}$ HG2 7	$\pm 3.5 \times 13\text{mm}$ P5 14
----------------------------------	--



$\pm 4.0 \times 16\text{mm}$ R11 6	$\pm 7/4\text{mm}$ J7 6
--	-------------------------------

