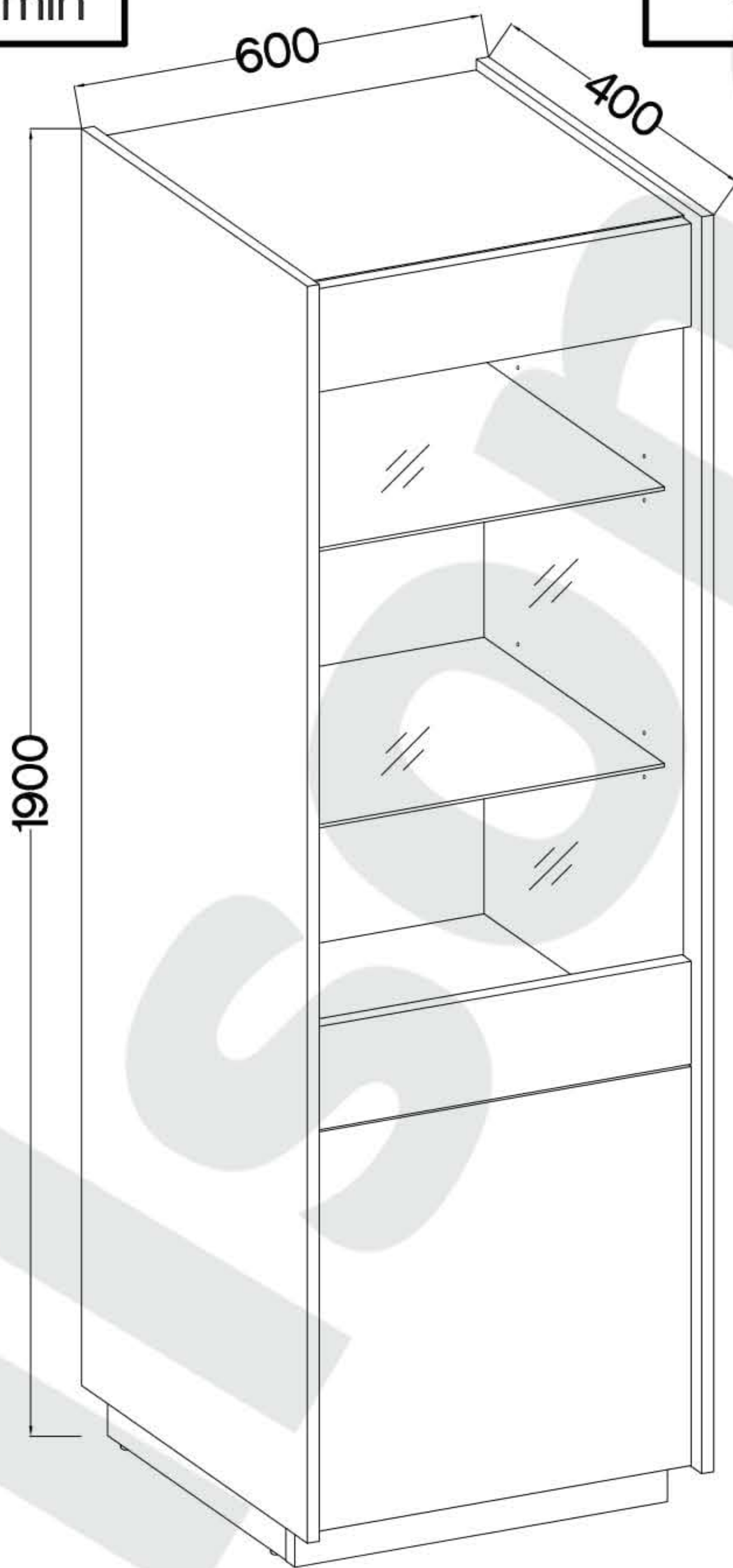


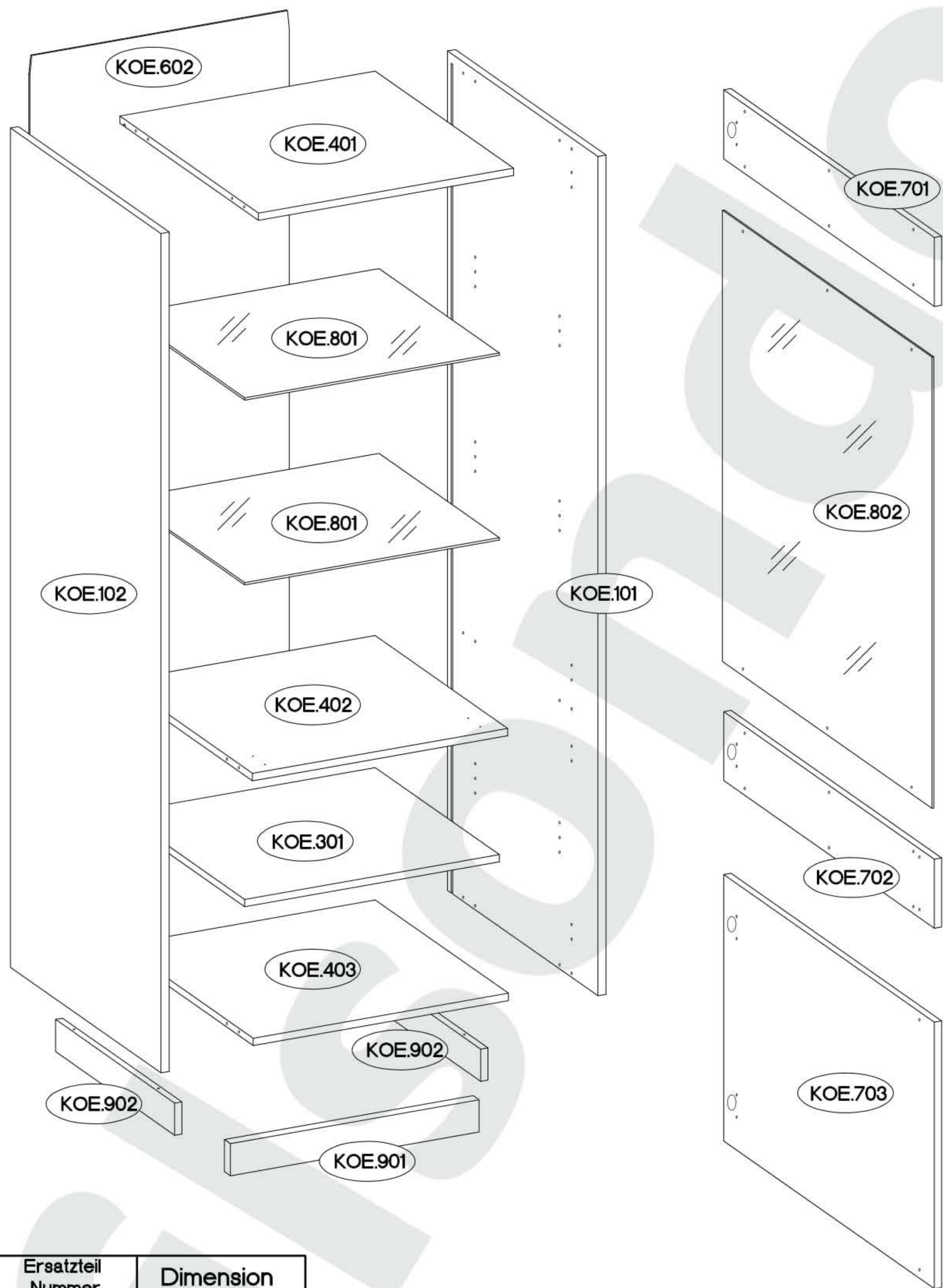
90 min

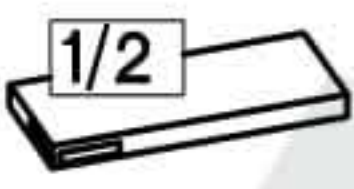

TYP 101

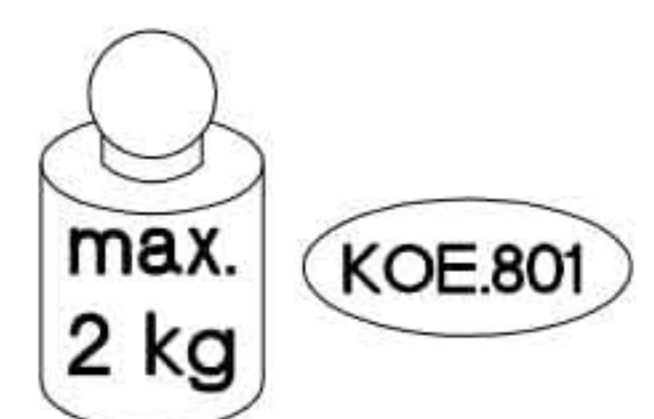
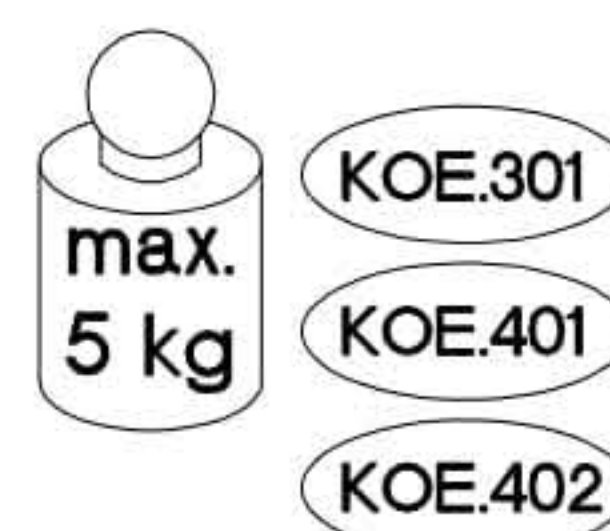
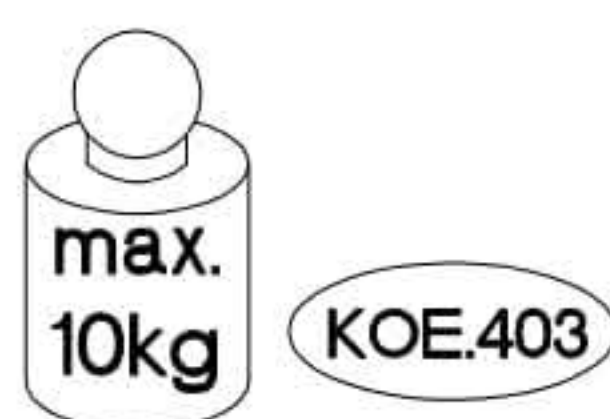


 †8x30mm <b>A</b> 16	 †15/12mm <b>C</b> 12	 L=20mm <b>D2</b> 12	 †20 <b>E11 bez</b> 9	 †20 <b>E11</b> 1	 †15x5mm <b>F4</b> 4	 †35/16mm <b>HG2</b> 4	 †5/16mm <b>J3</b> 4	 †7/4mm <b>J7</b> 6	 <b>J12</b> 8	 <b>L</b> 14
 75x30x15mm <b>L19</b> 1	 <b>L33</b> 2	 <b>O1</b> 1	 †10x50mm <b>O7</b> 1	 †4.0x16mm <b>P1</b> 6	 †3.5x13mm <b>P5</b> 14	 †3.0x20mm <b>P7</b> 8	 †5.0x60mm <b>P12</b> 1	 †4.0x16mm <b>R11</b> 6	 <b>T3</b> 3	

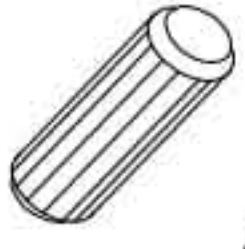


ISM-KOE-001

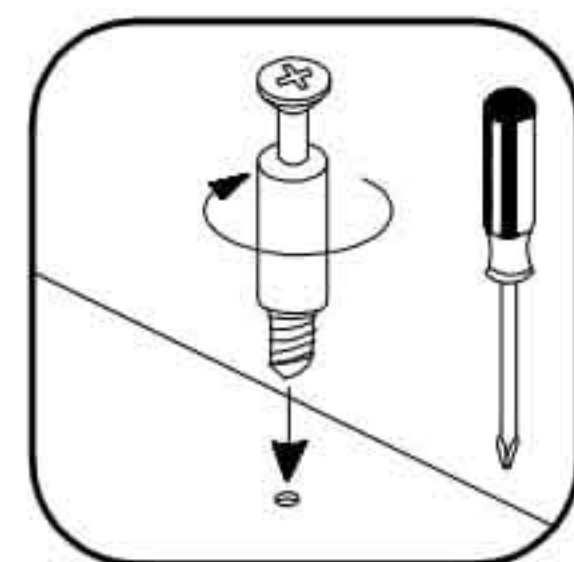
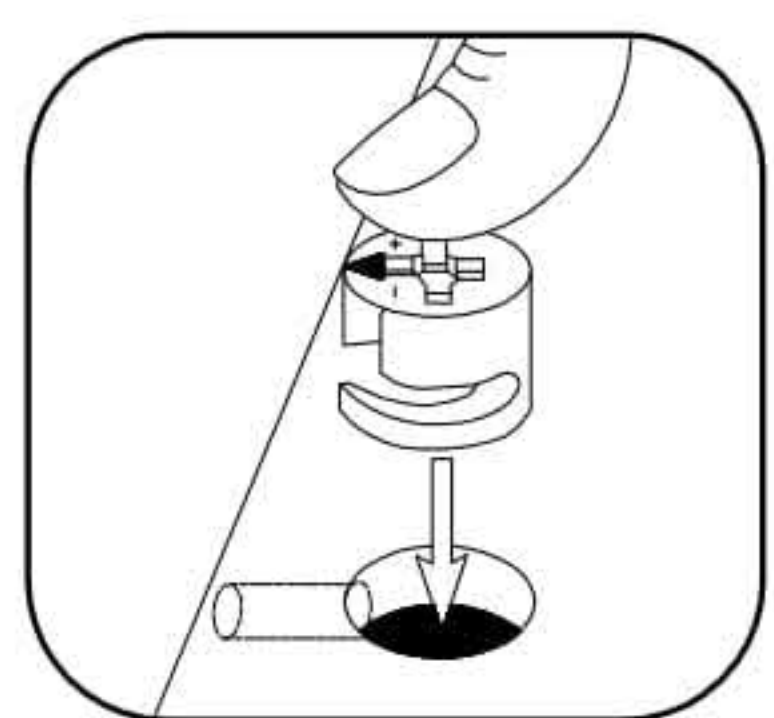
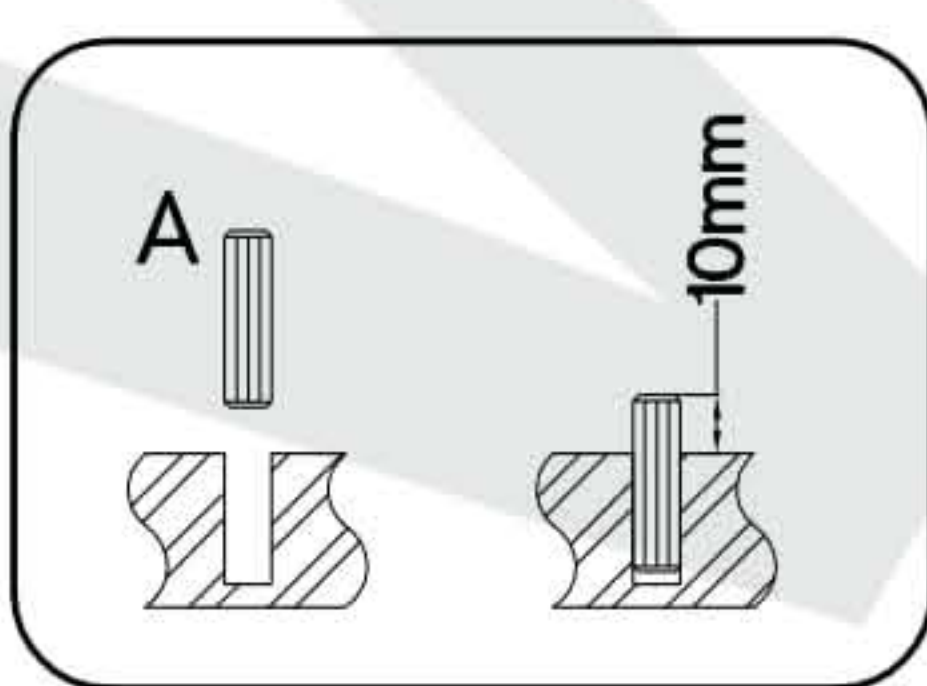
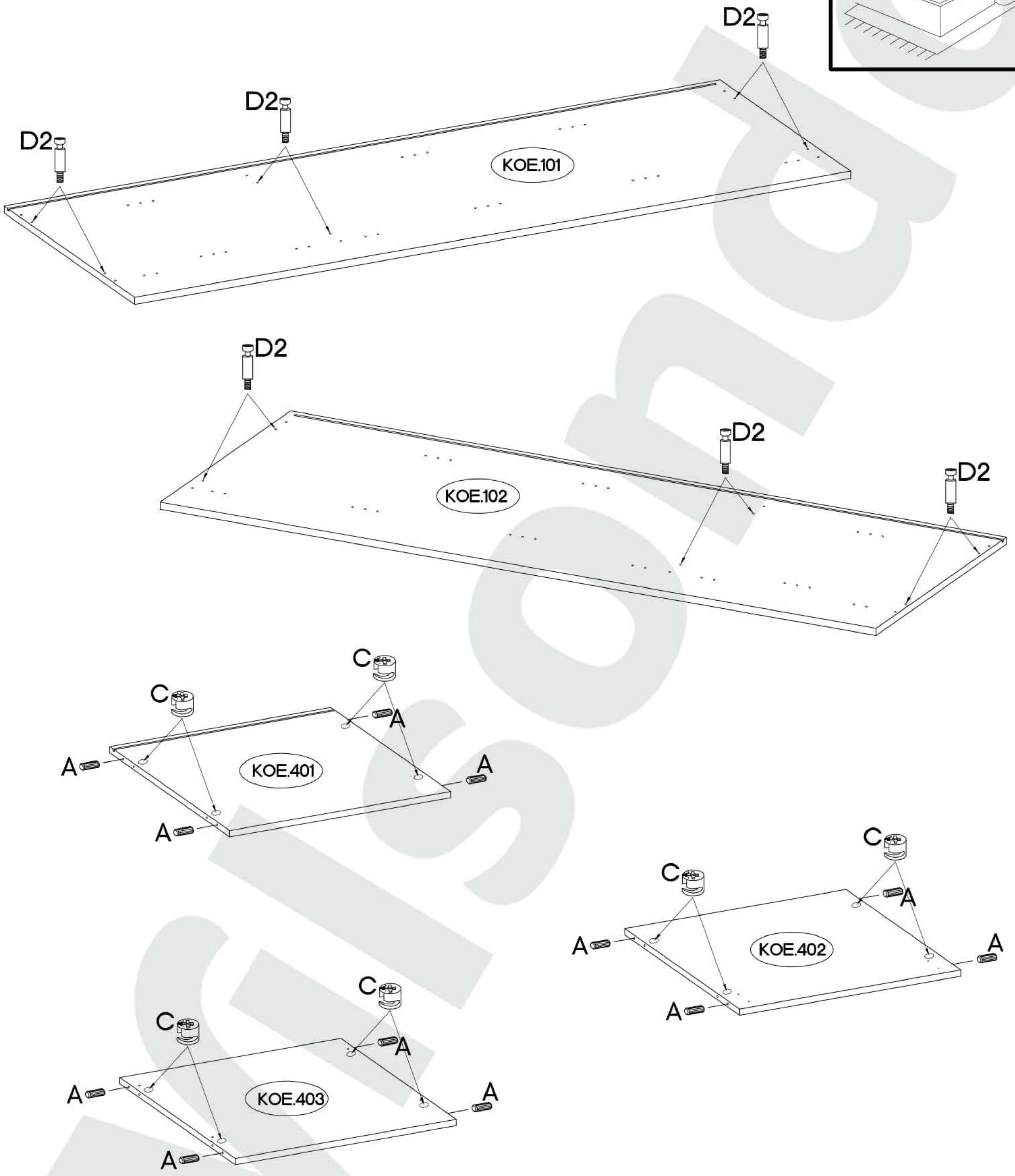
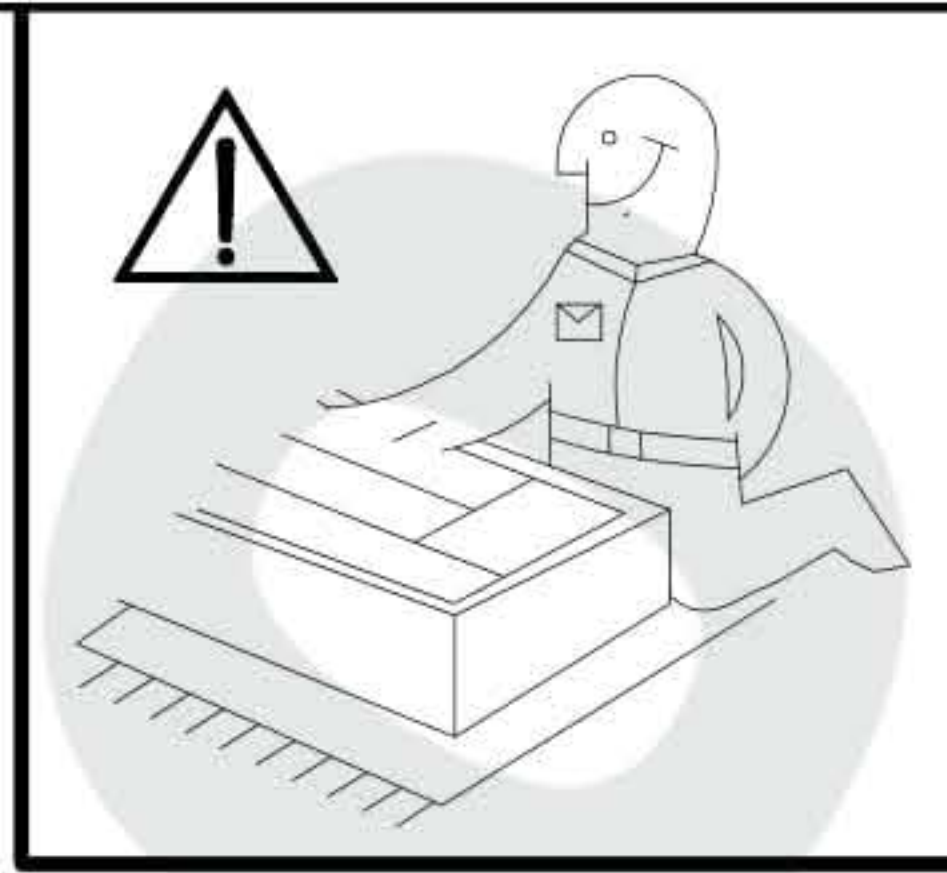


	Ersatzteil Nummer	Dimension
	KOE.401	564x368x16
	KOE.402	564x352x16
	KOE.403	564x354x16
	KOE.901	550x70x16
	KOE.902 x2	317x70x16
	KOE.301	563x330x16
	KOE.801 x2	563x320x5
	KOE.101	1826x400x18
	KOE.102	1826x400x18
	KOE.602	1796x573x2,5
	KOE.802	982x557x4
	KOE.701	560x150x16
	KOE.702	560x150x16
	KOE.703	560x580x16

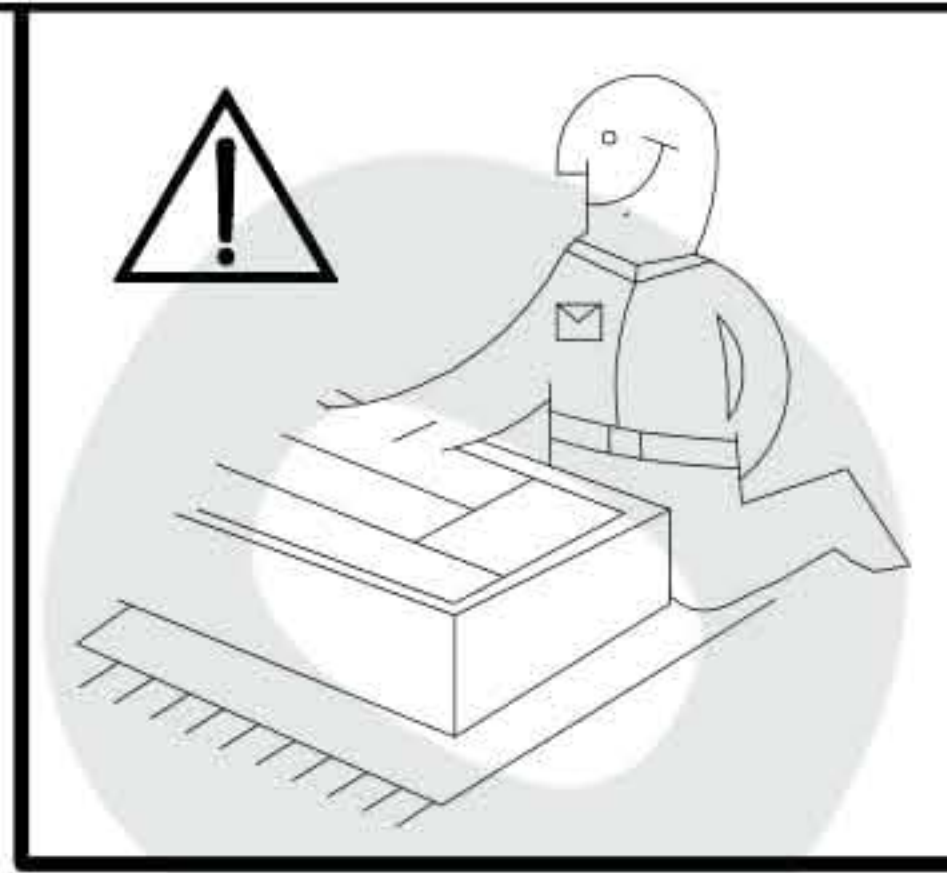
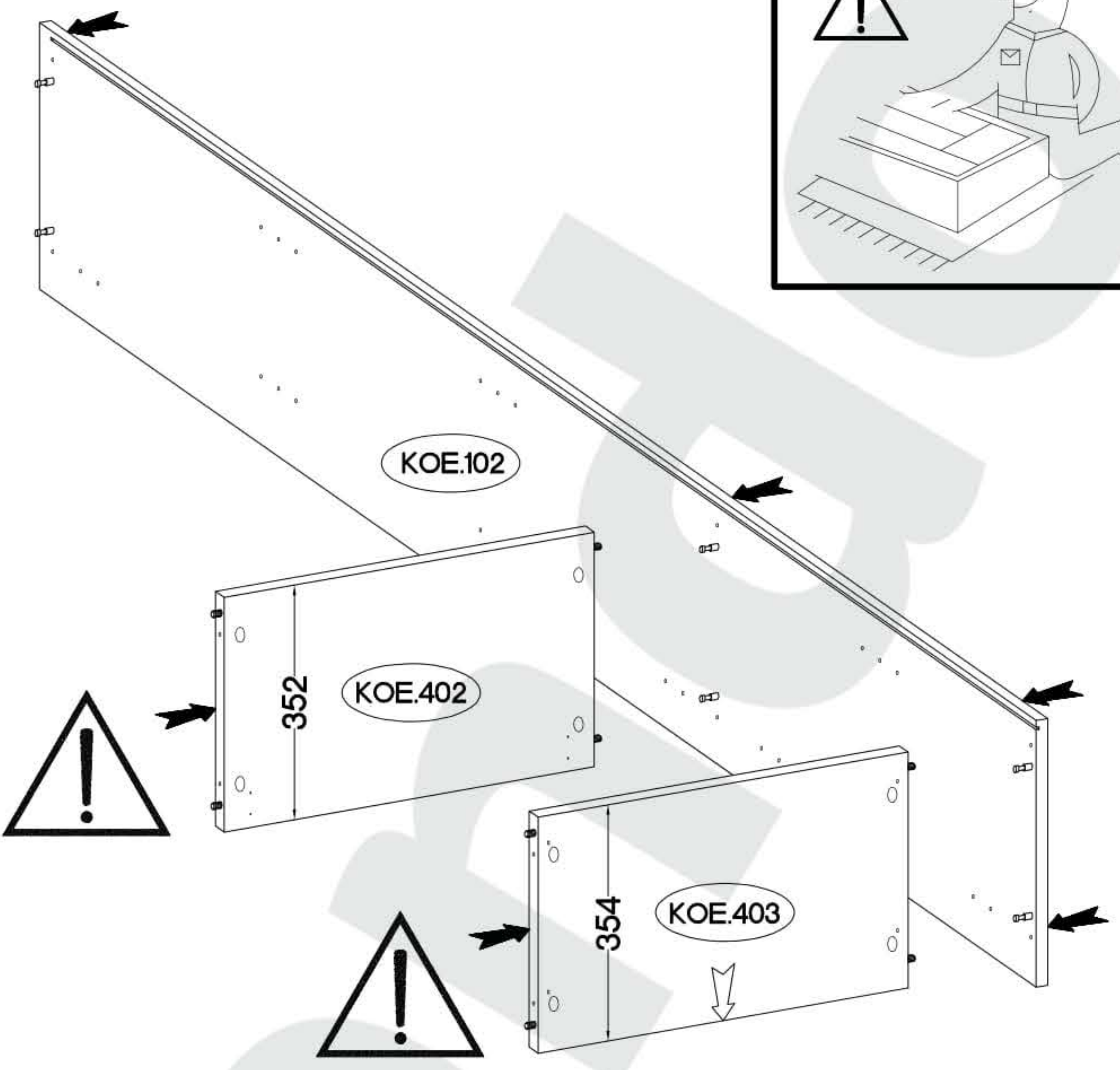
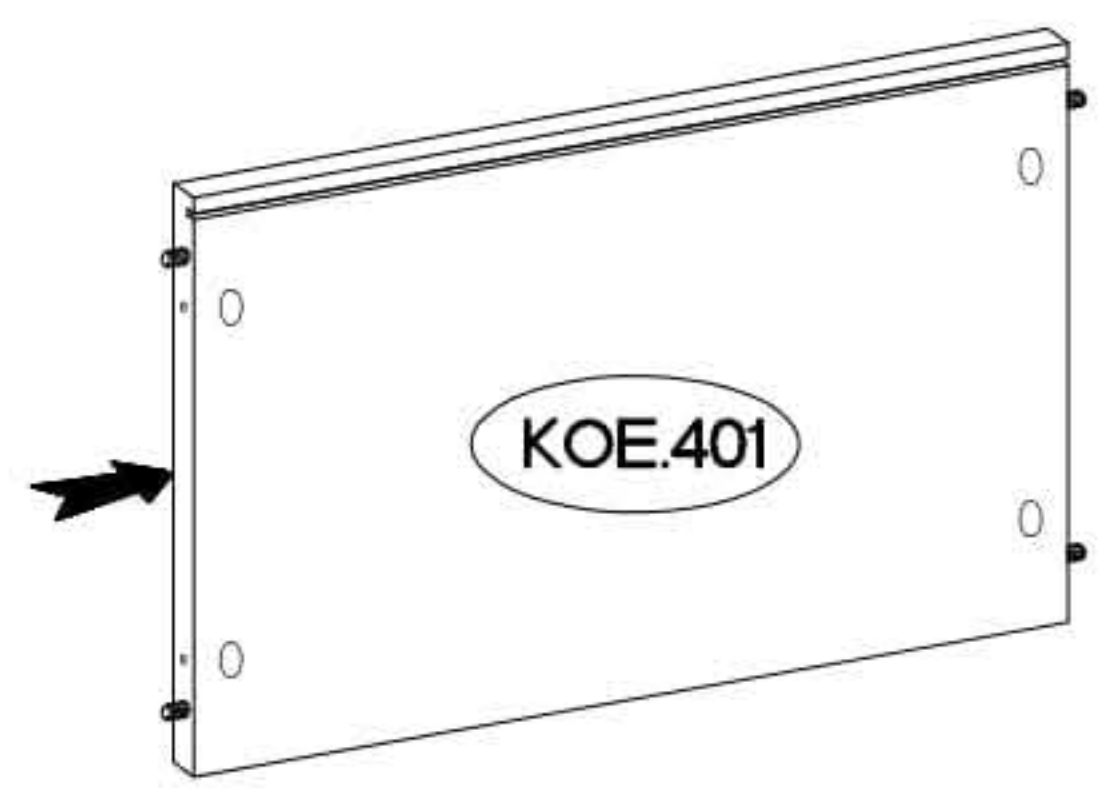


1

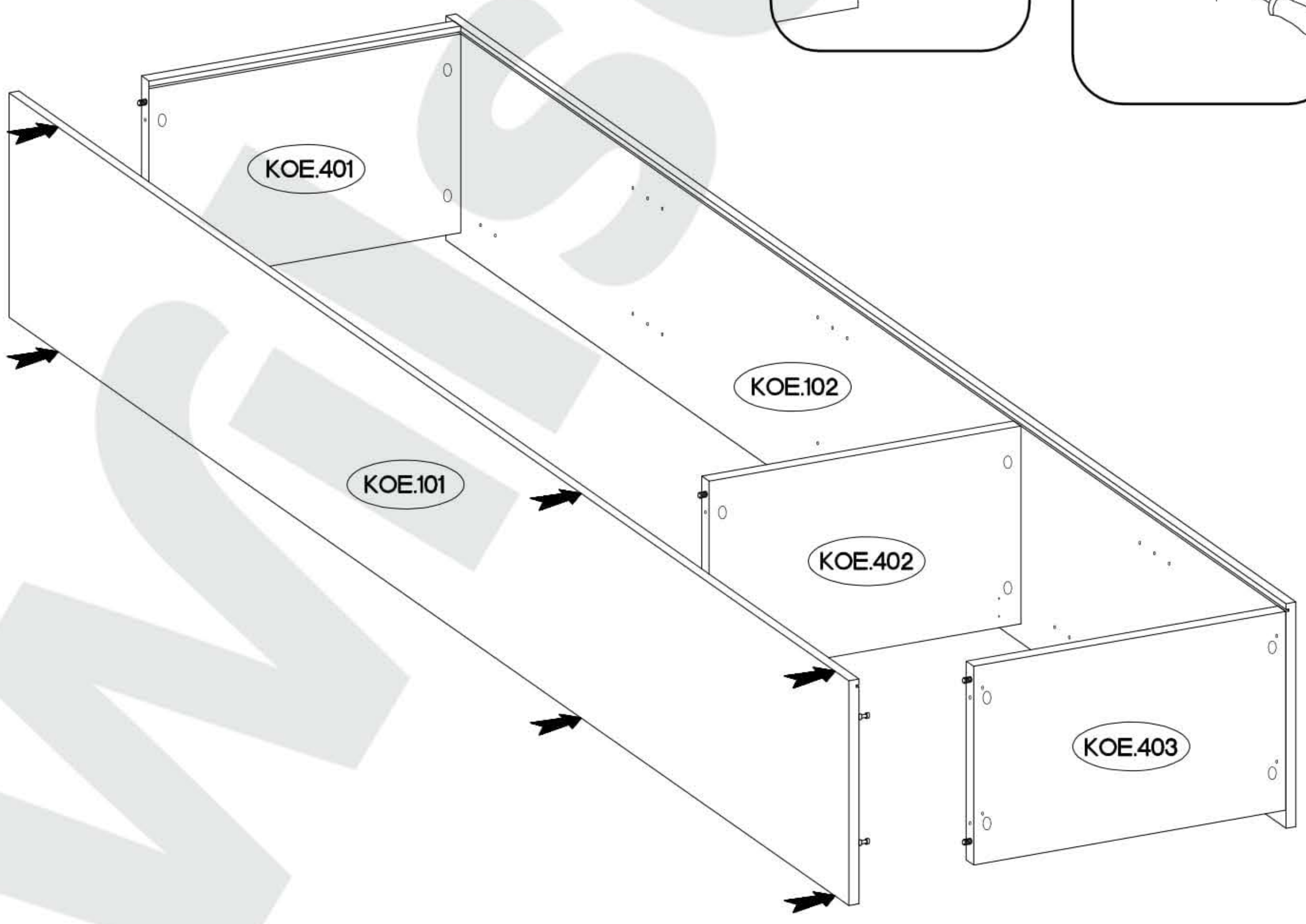
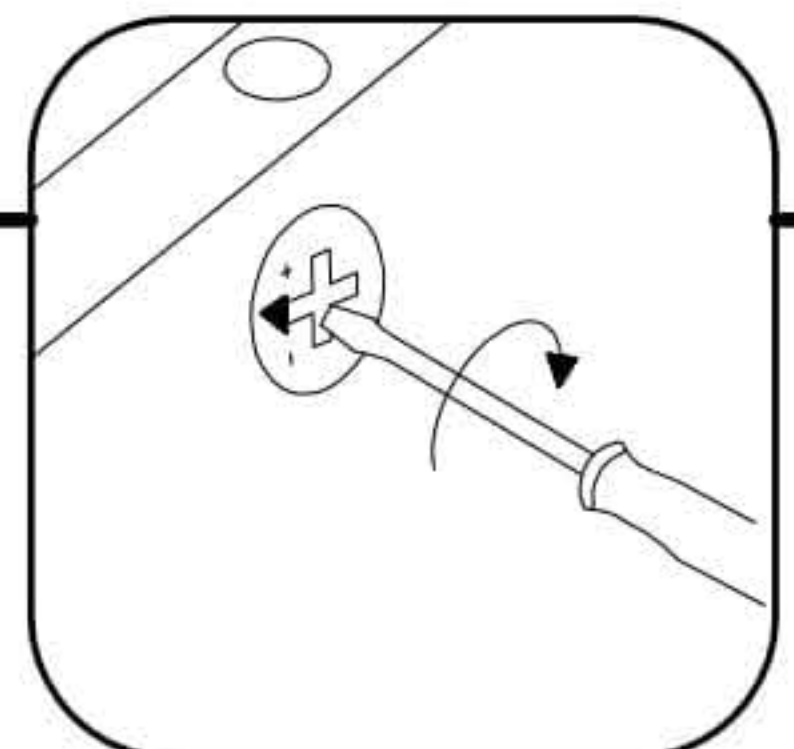
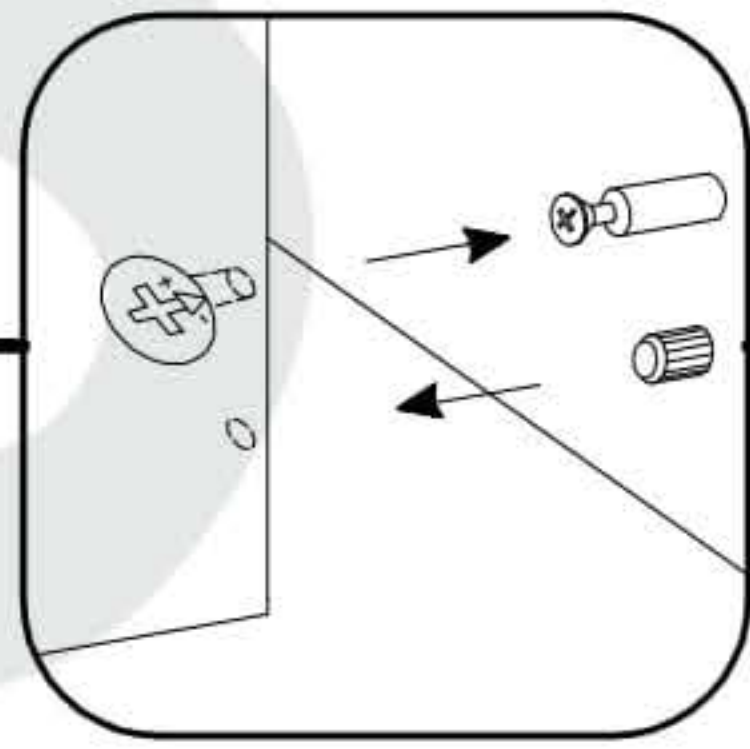
 <b>†8x30mm</b> <b>A</b> 12	 <b>†15/12mm</b> <b>C</b> 12	 <b>L=20mm</b> <b>D2</b> 12
--	---	--



2



3



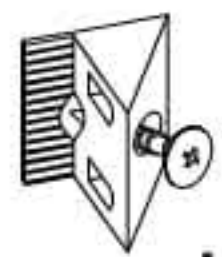
4

3.0x20mm



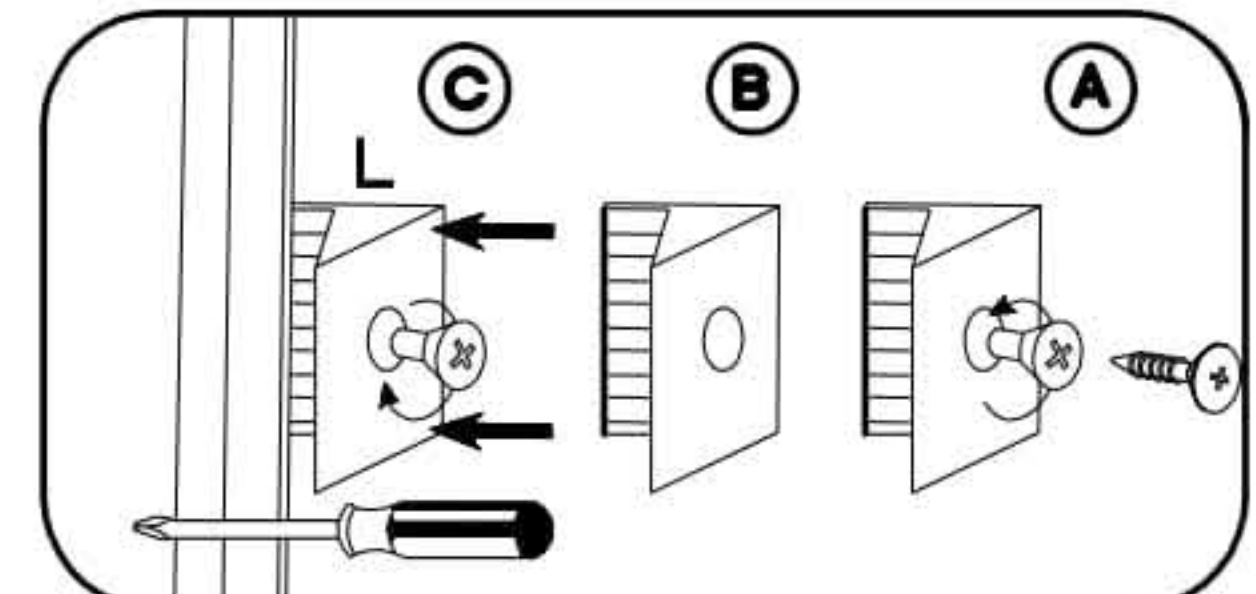
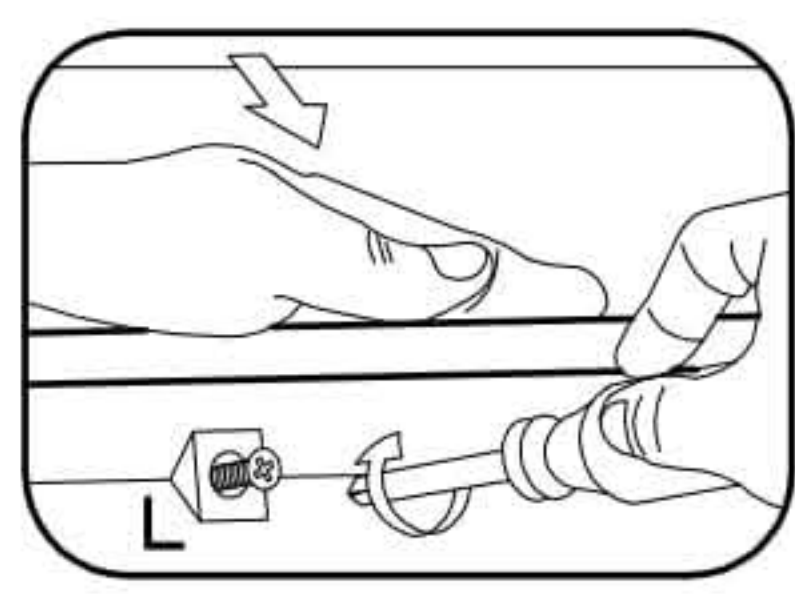
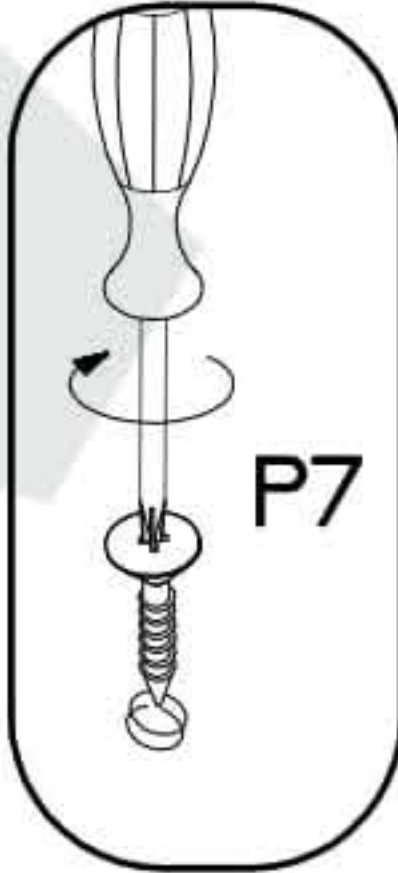
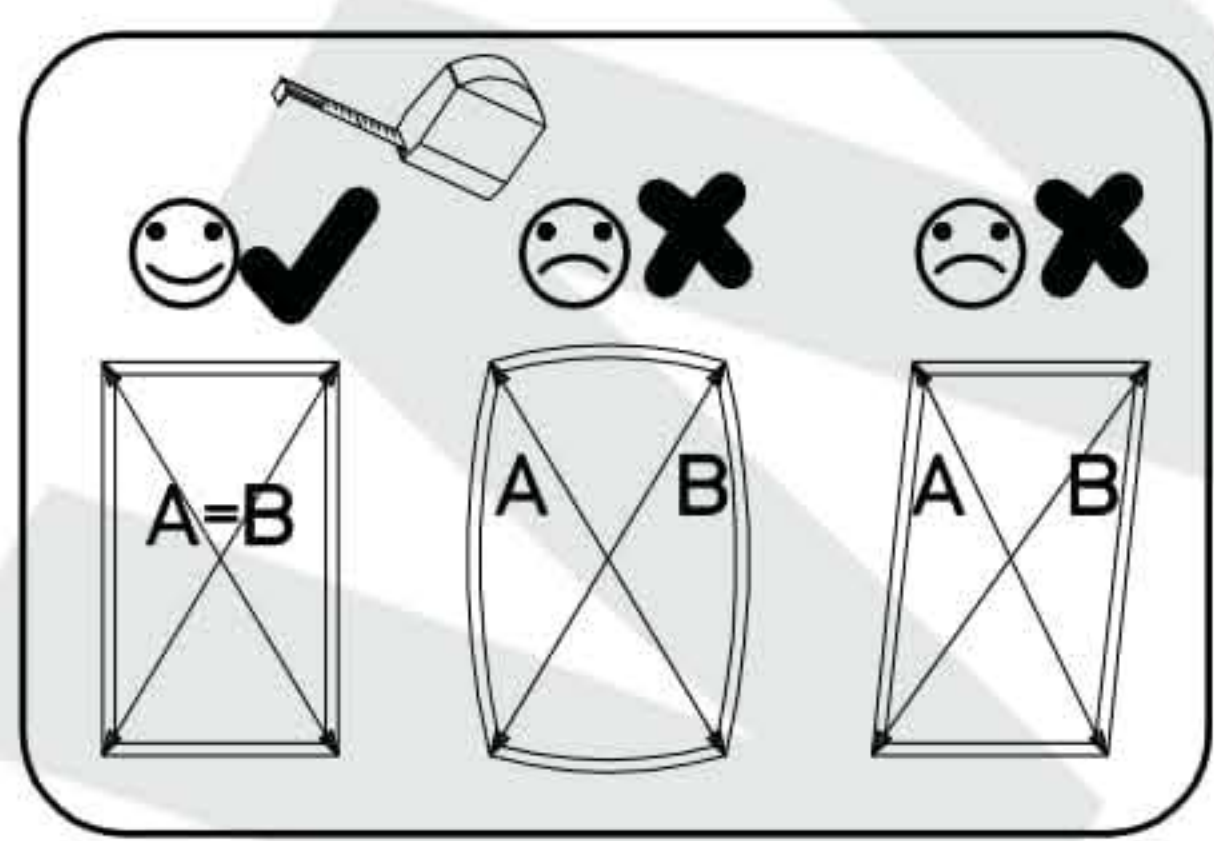
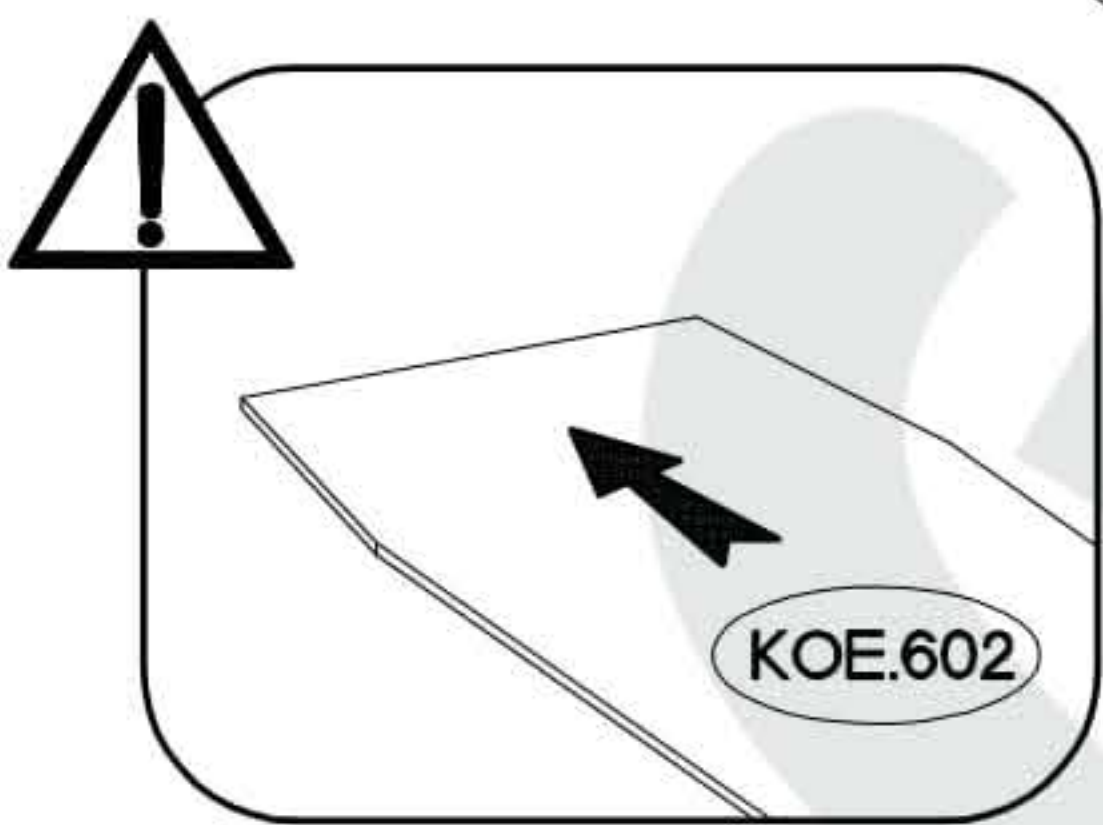
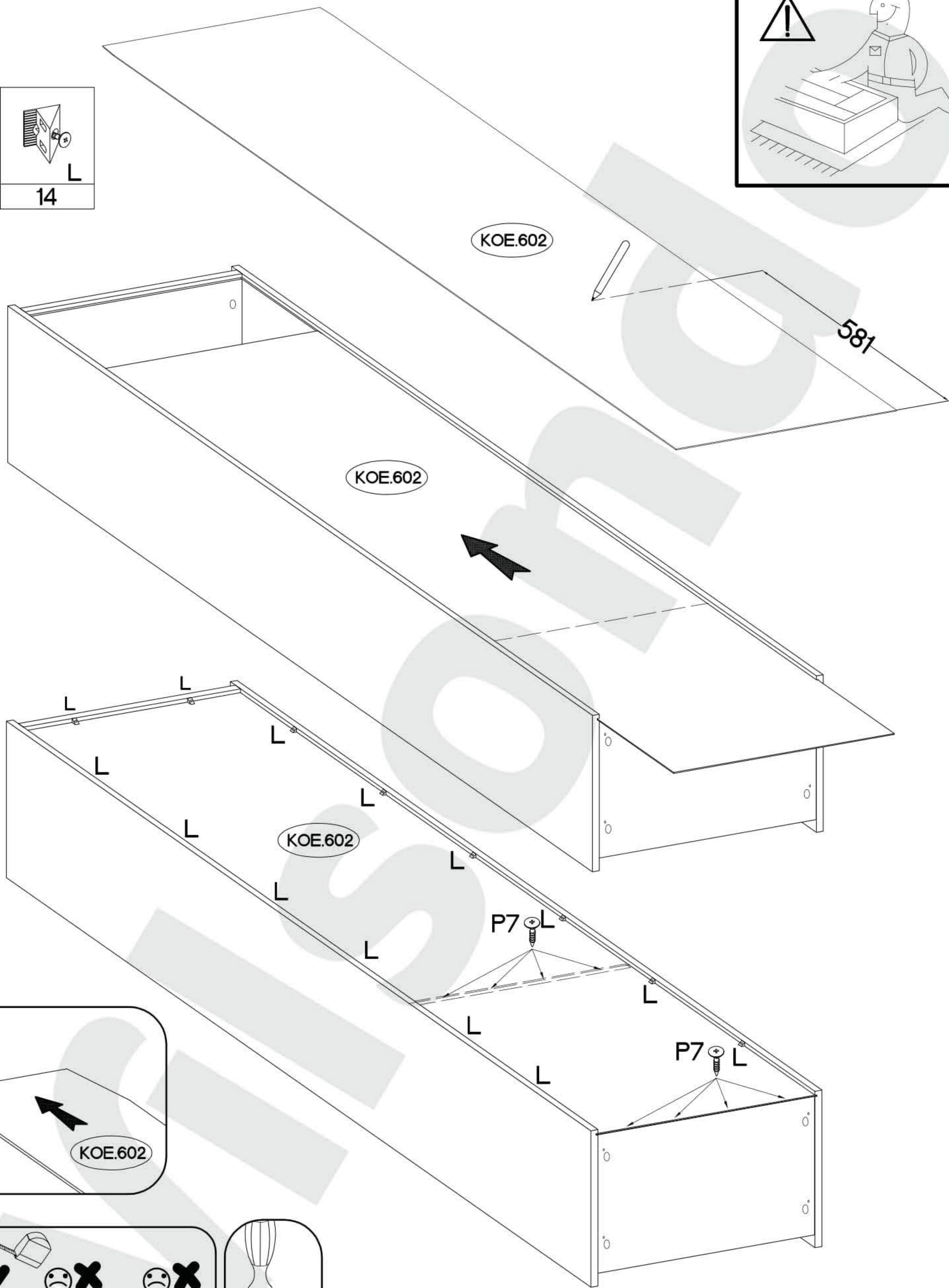
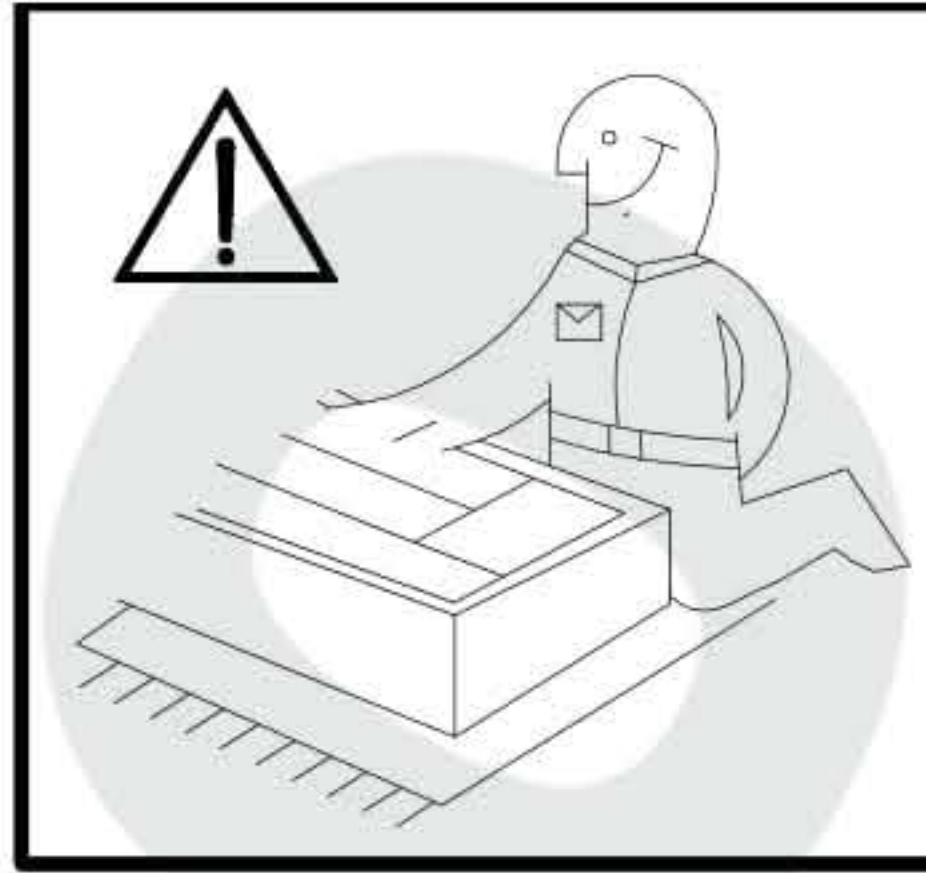
P7

8






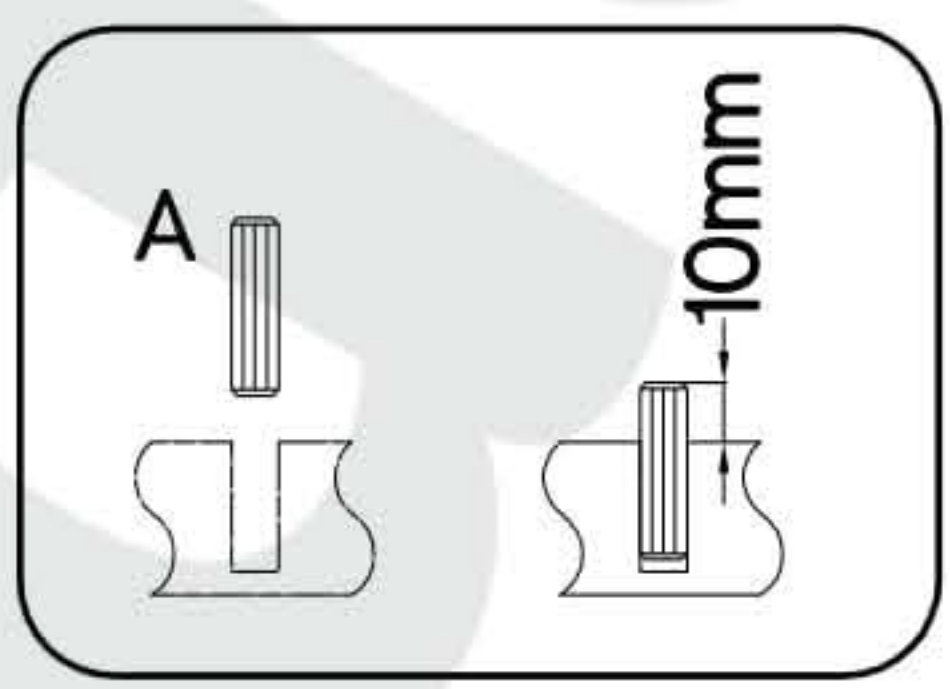
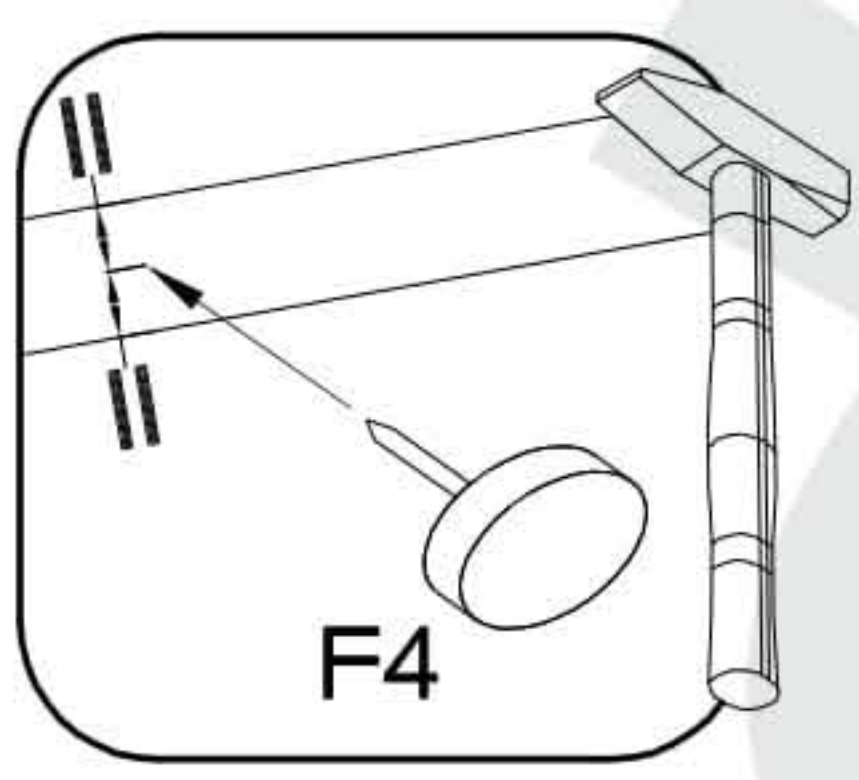
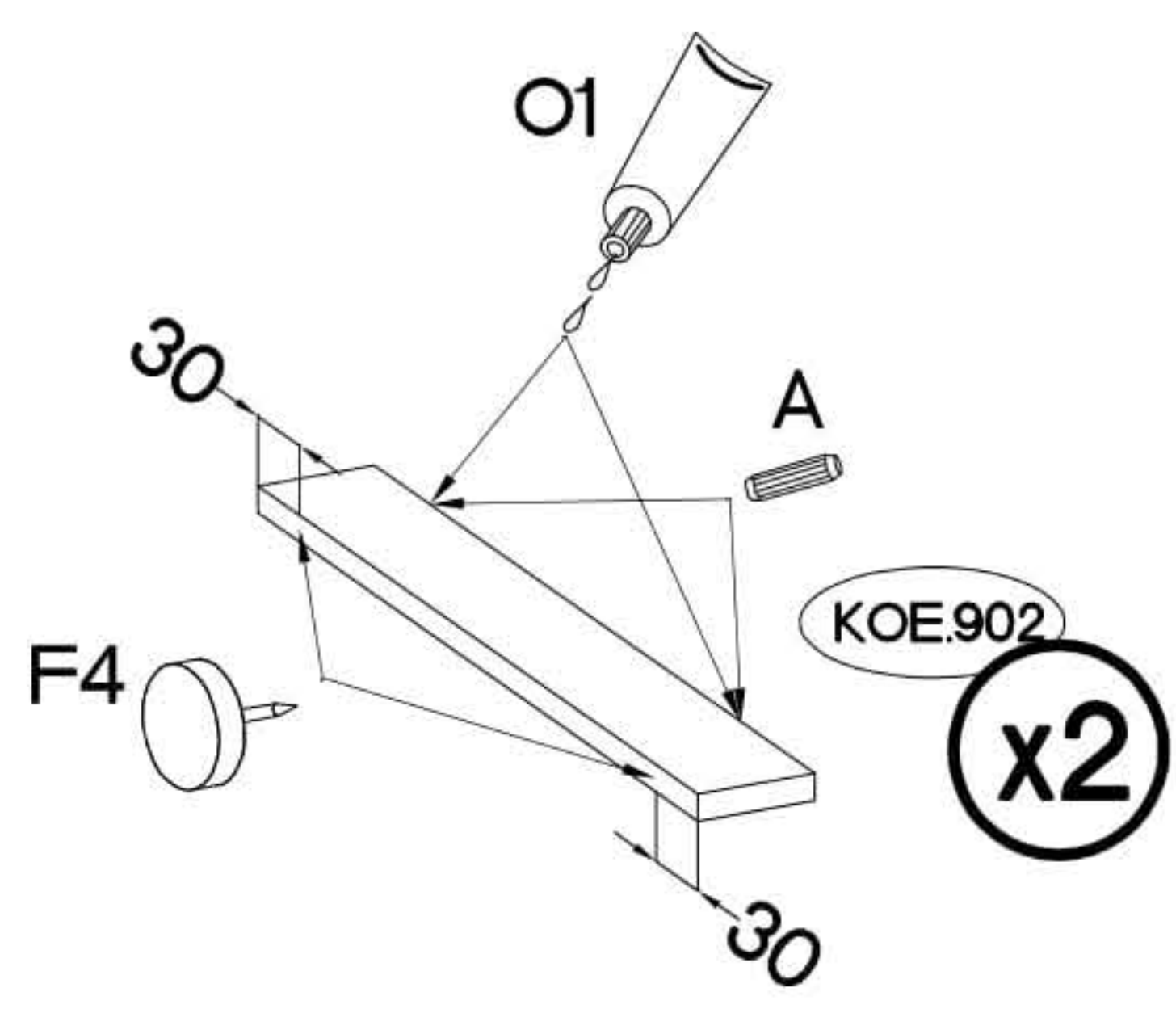
L

14

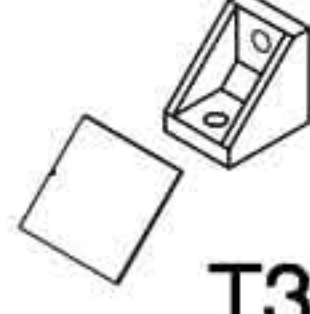



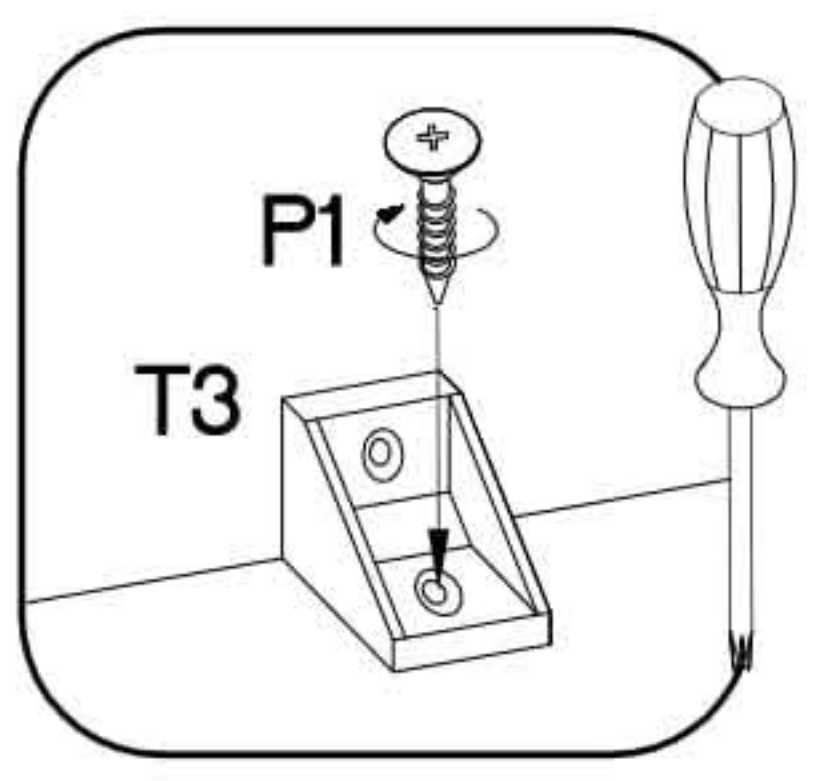
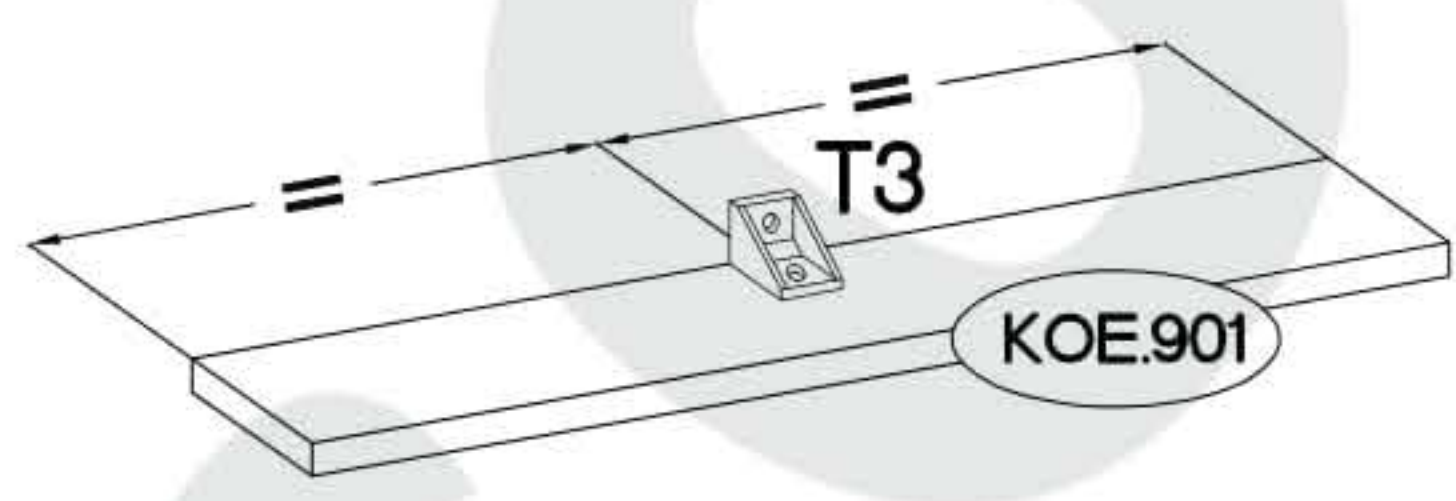
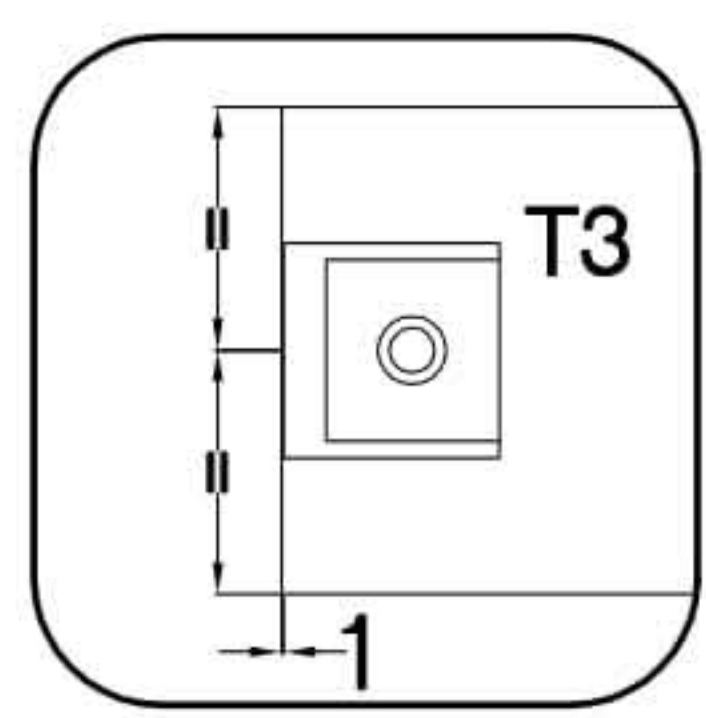
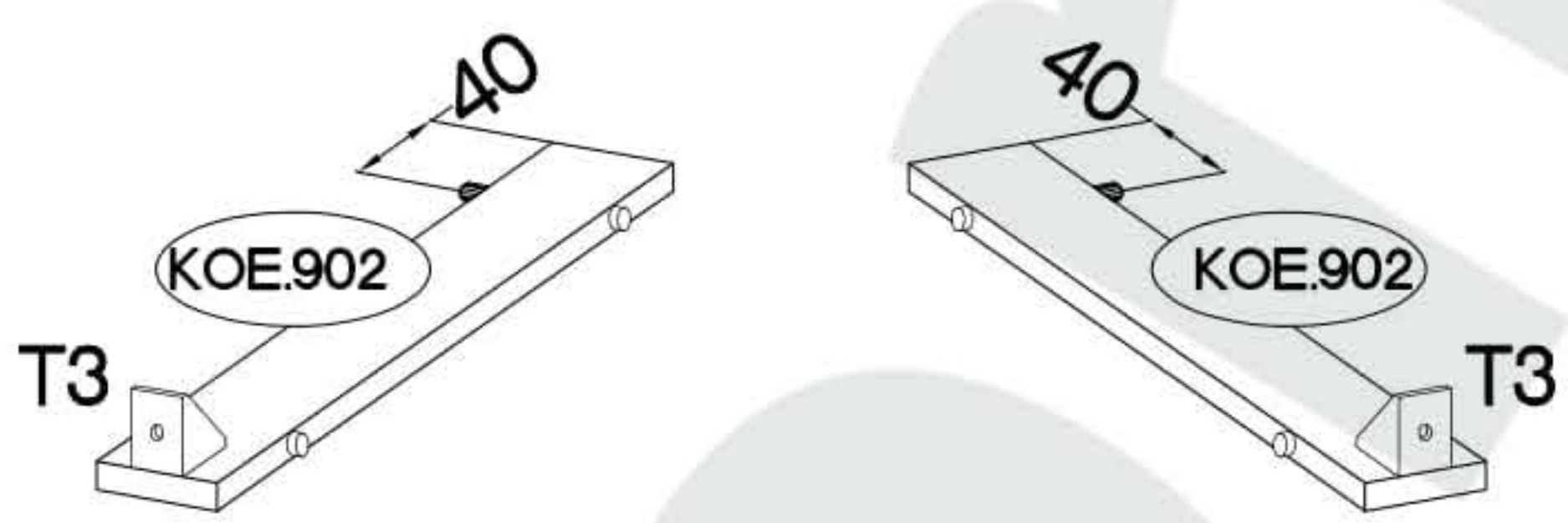
5

±15x5mm  F4 4	 O1 1	±8x30mm  A 4
--	---	---




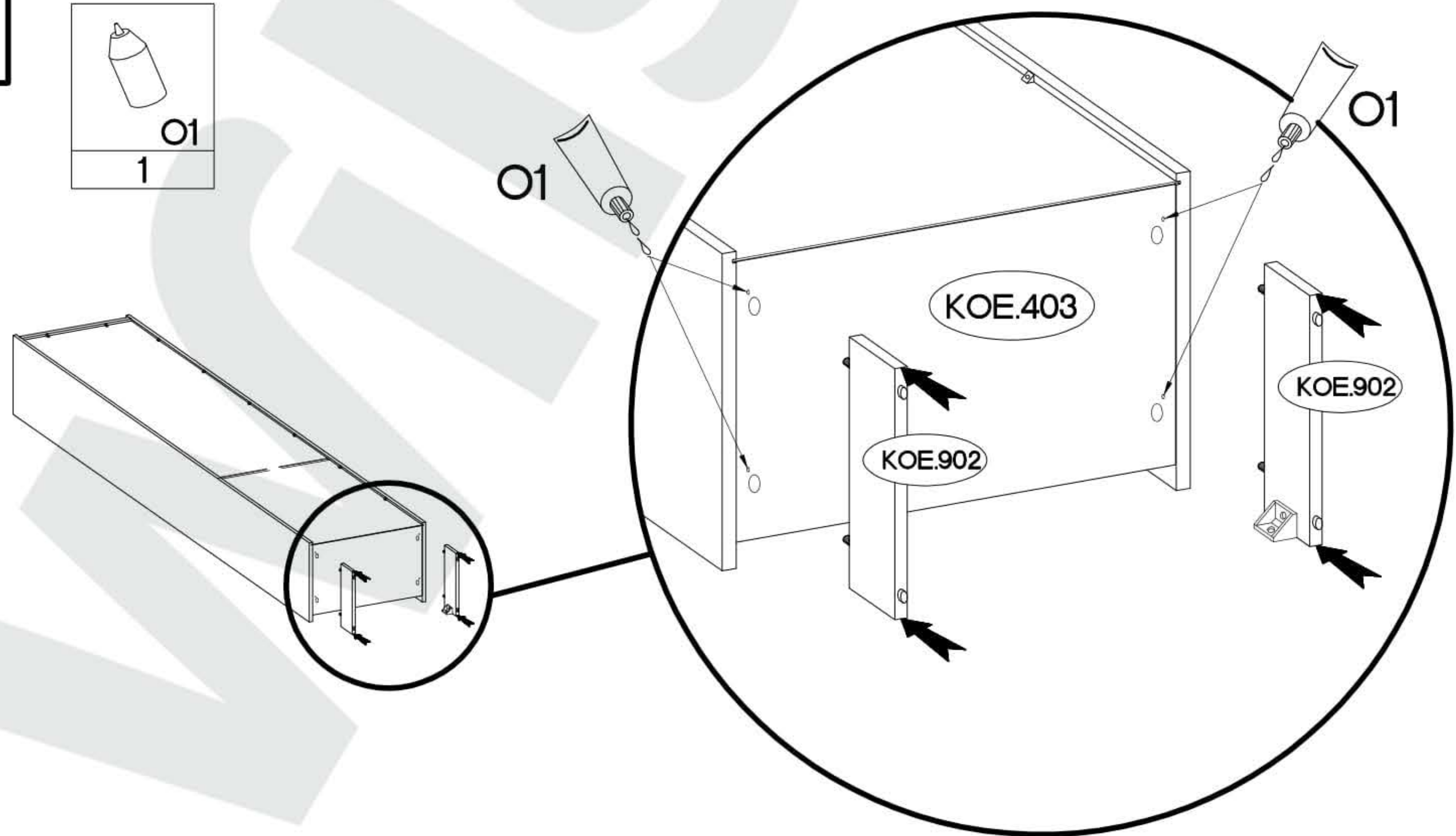
6

 T3 3	±4.0x16mm  P1 3
---	--



7

 O1 1
--



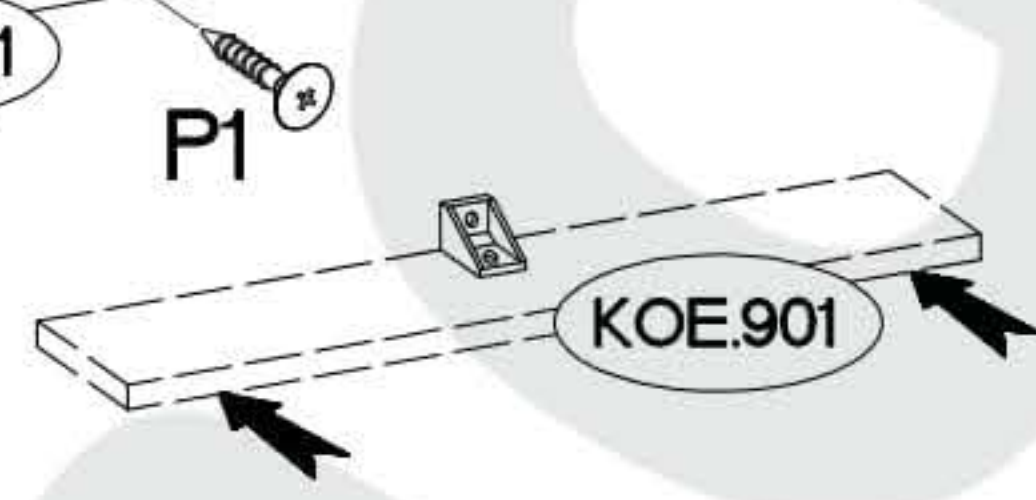
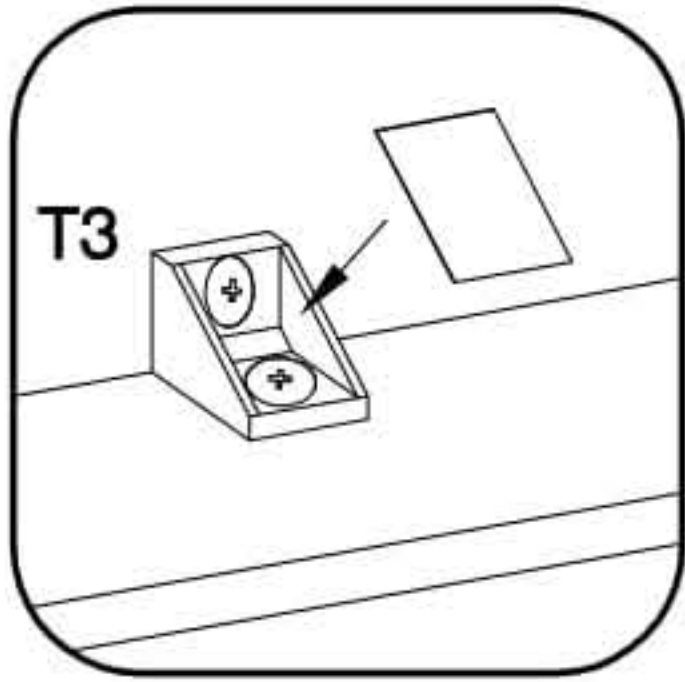
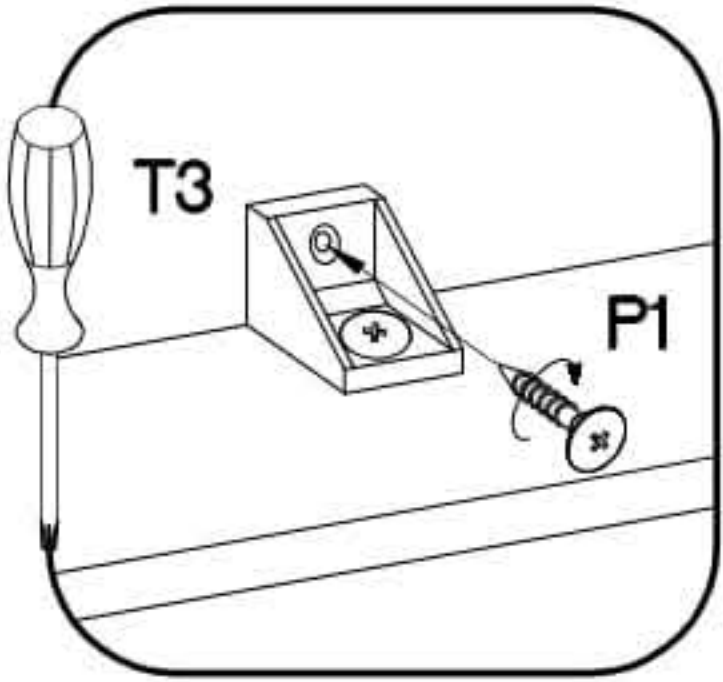
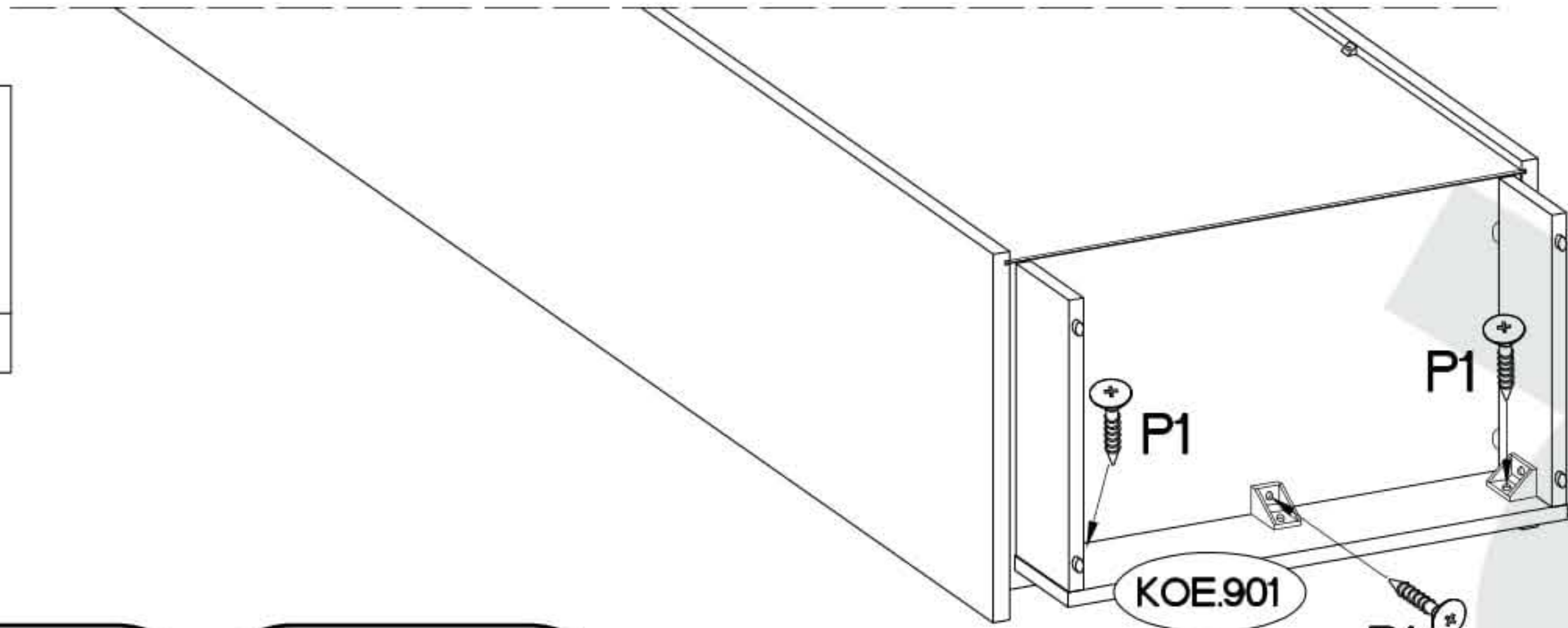
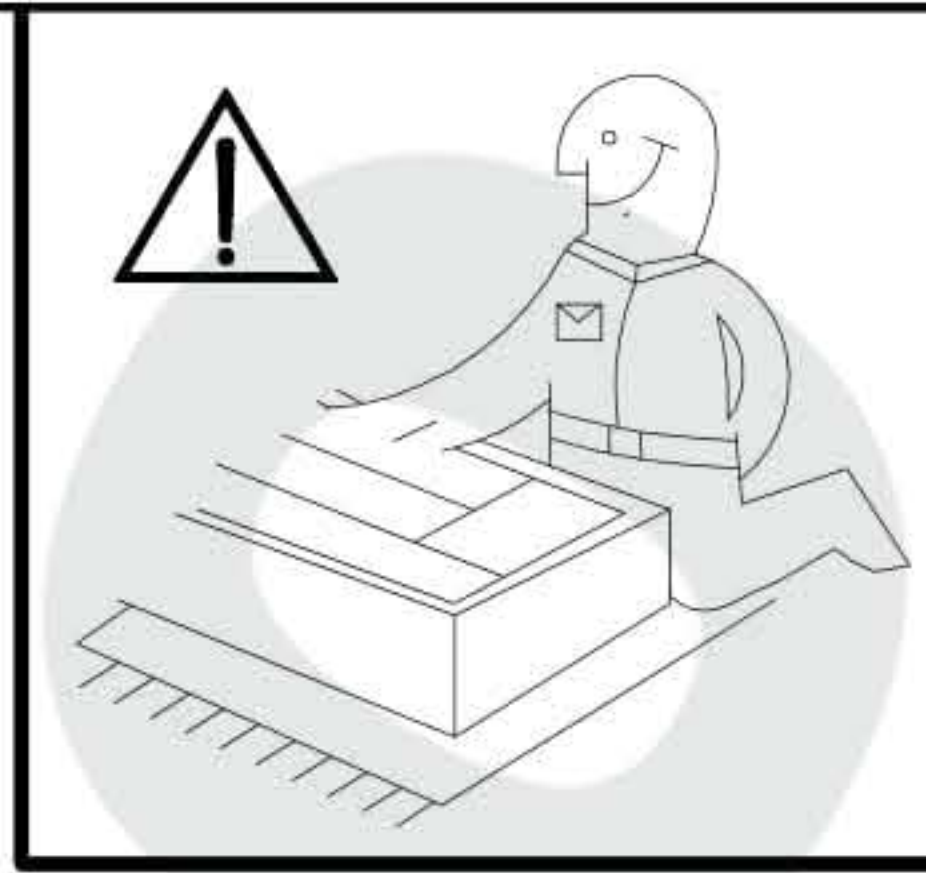
8

4.0x16mm

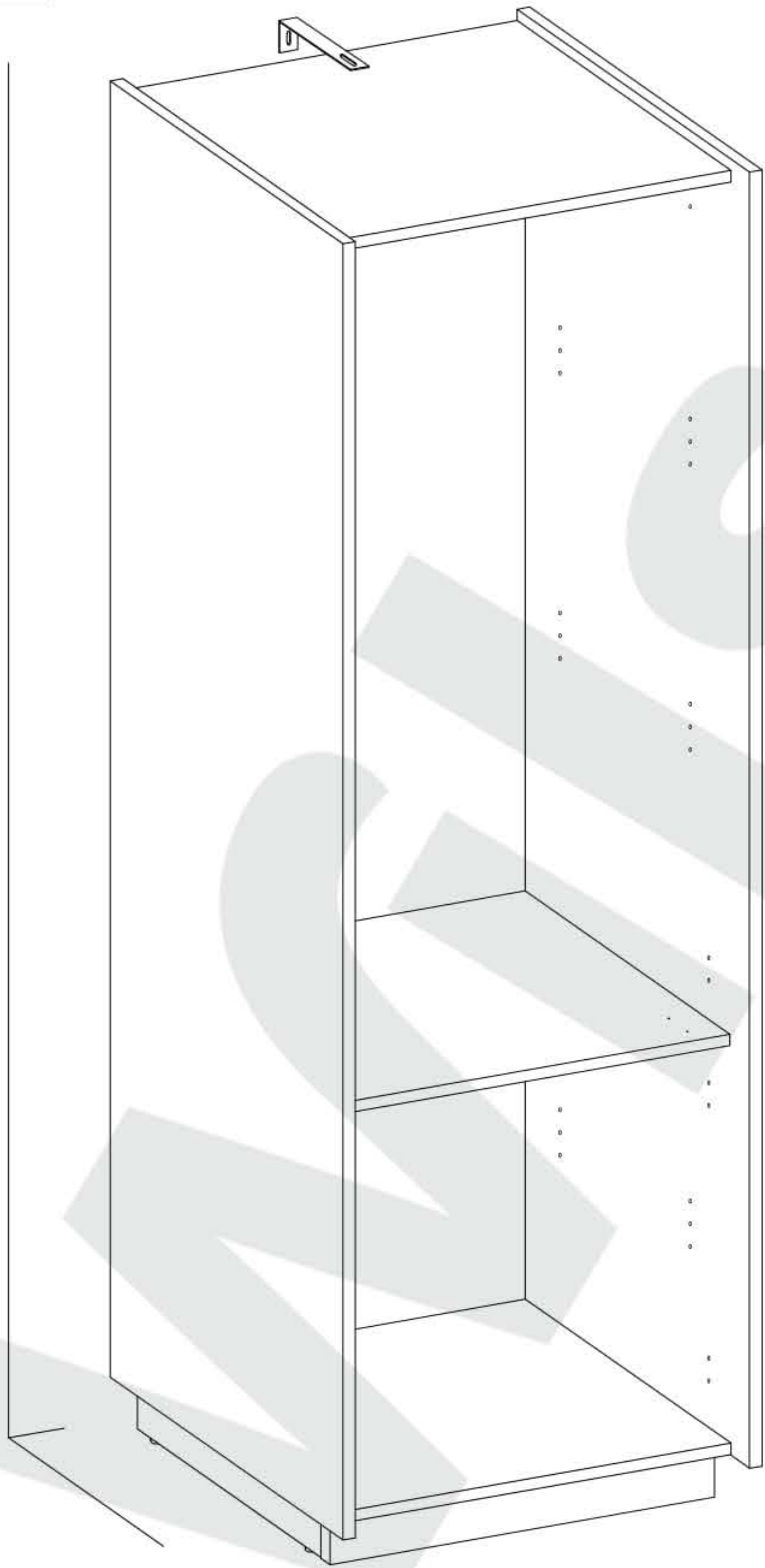


P1

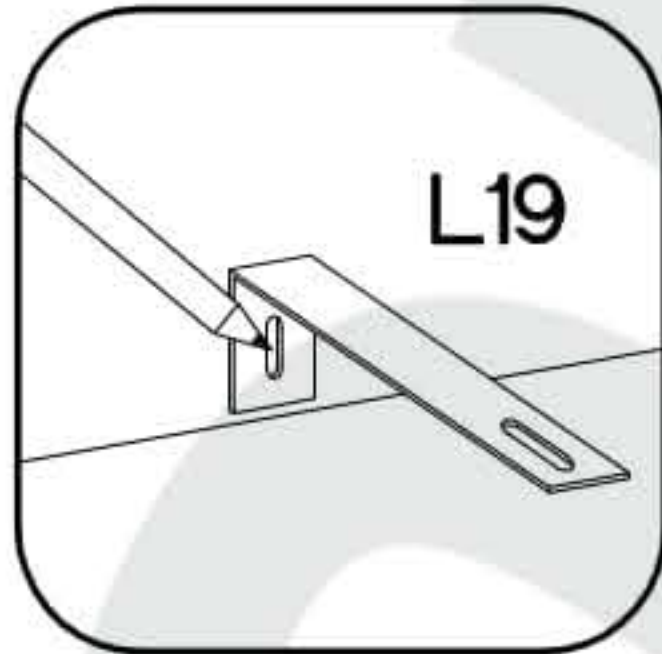
3



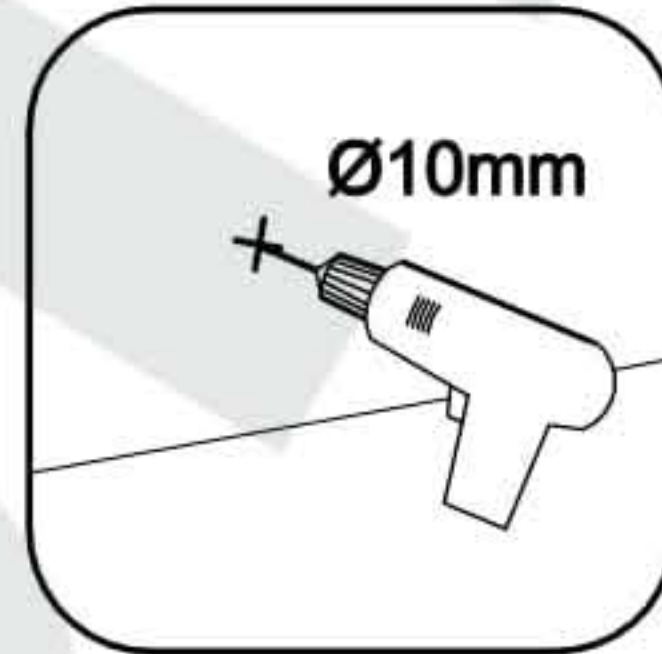
9



1.



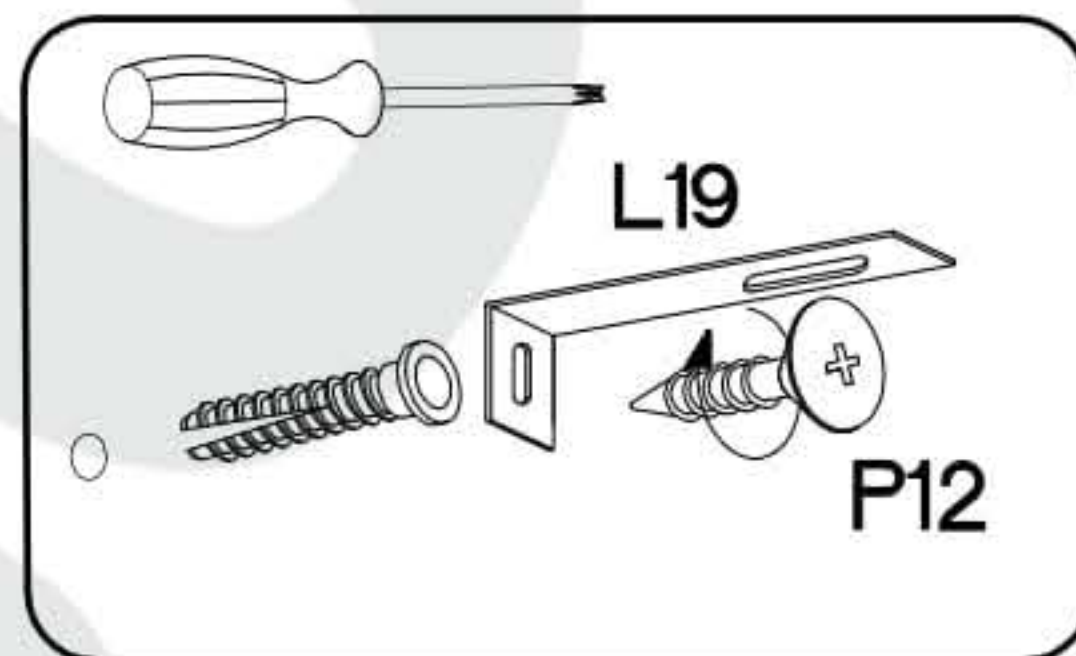
2.



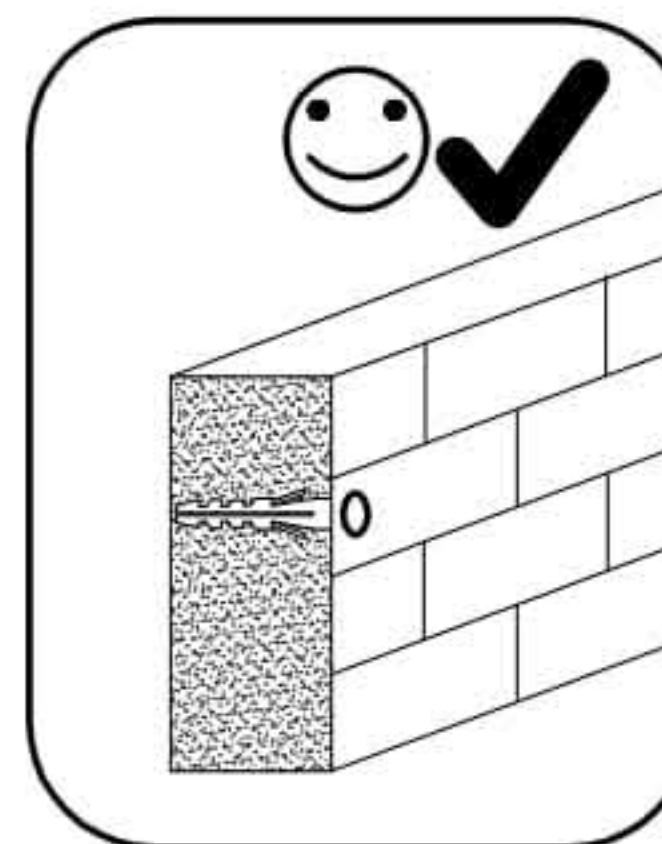
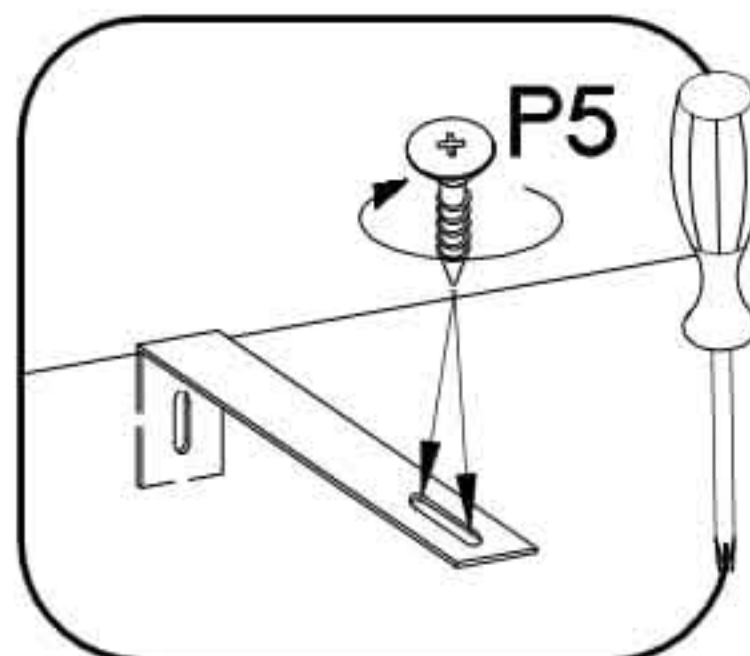
3.






4.

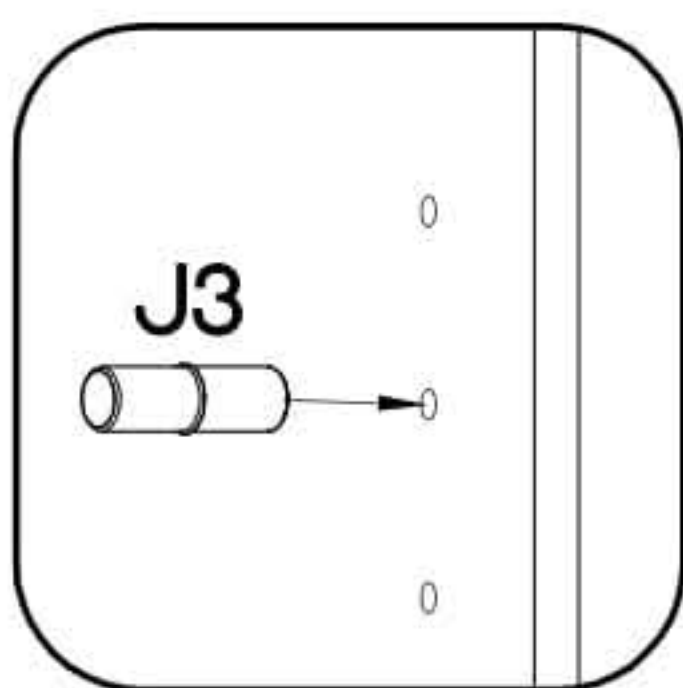
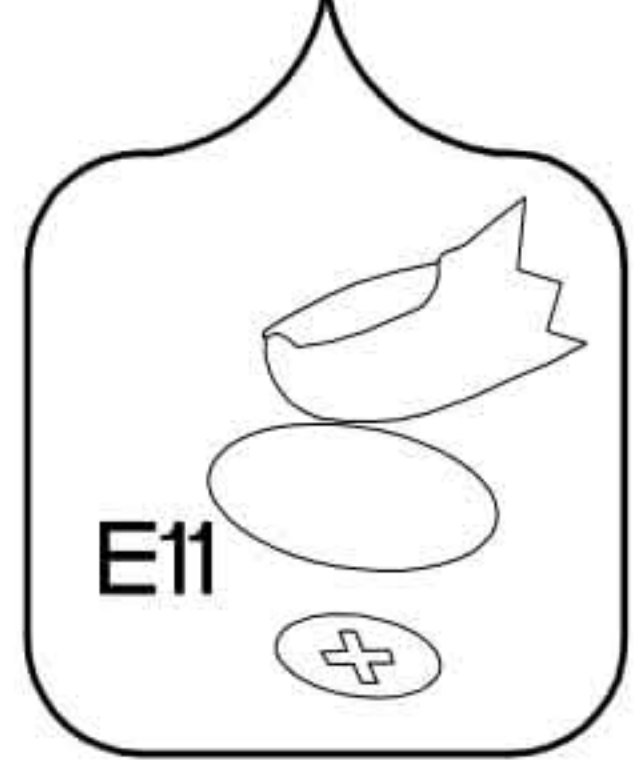
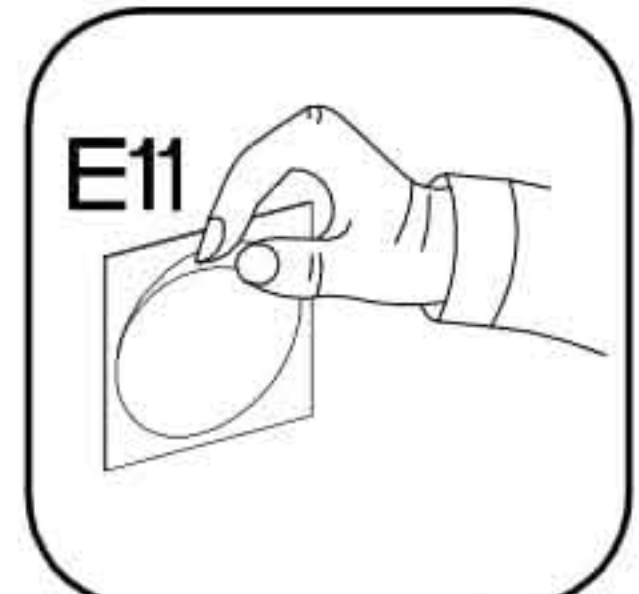
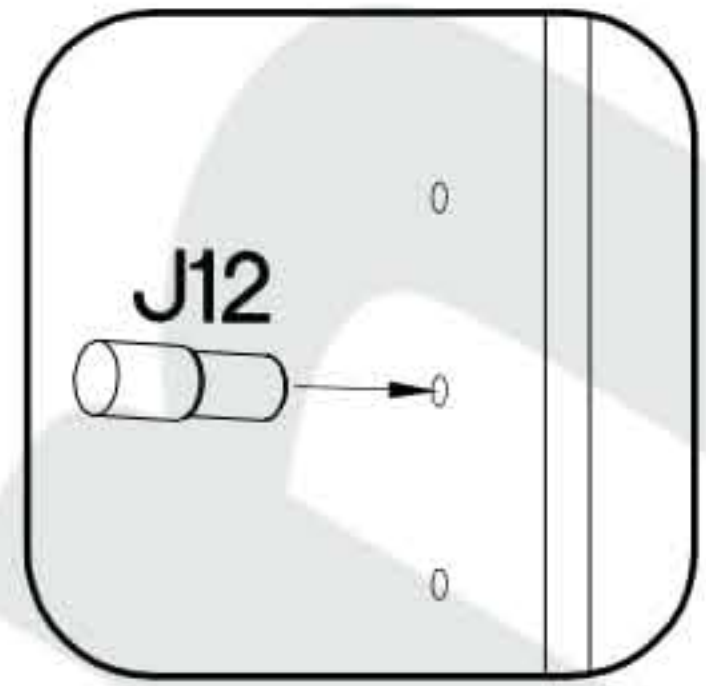
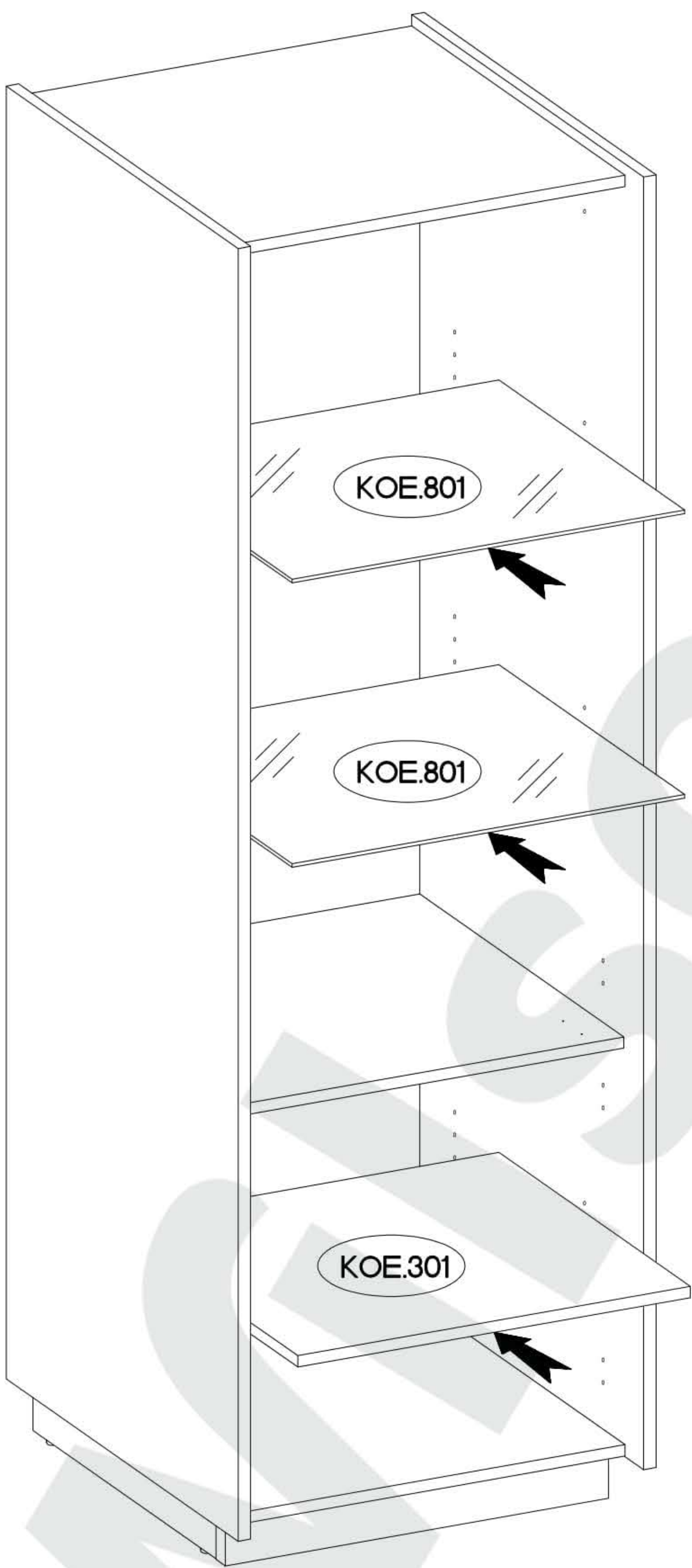


5.

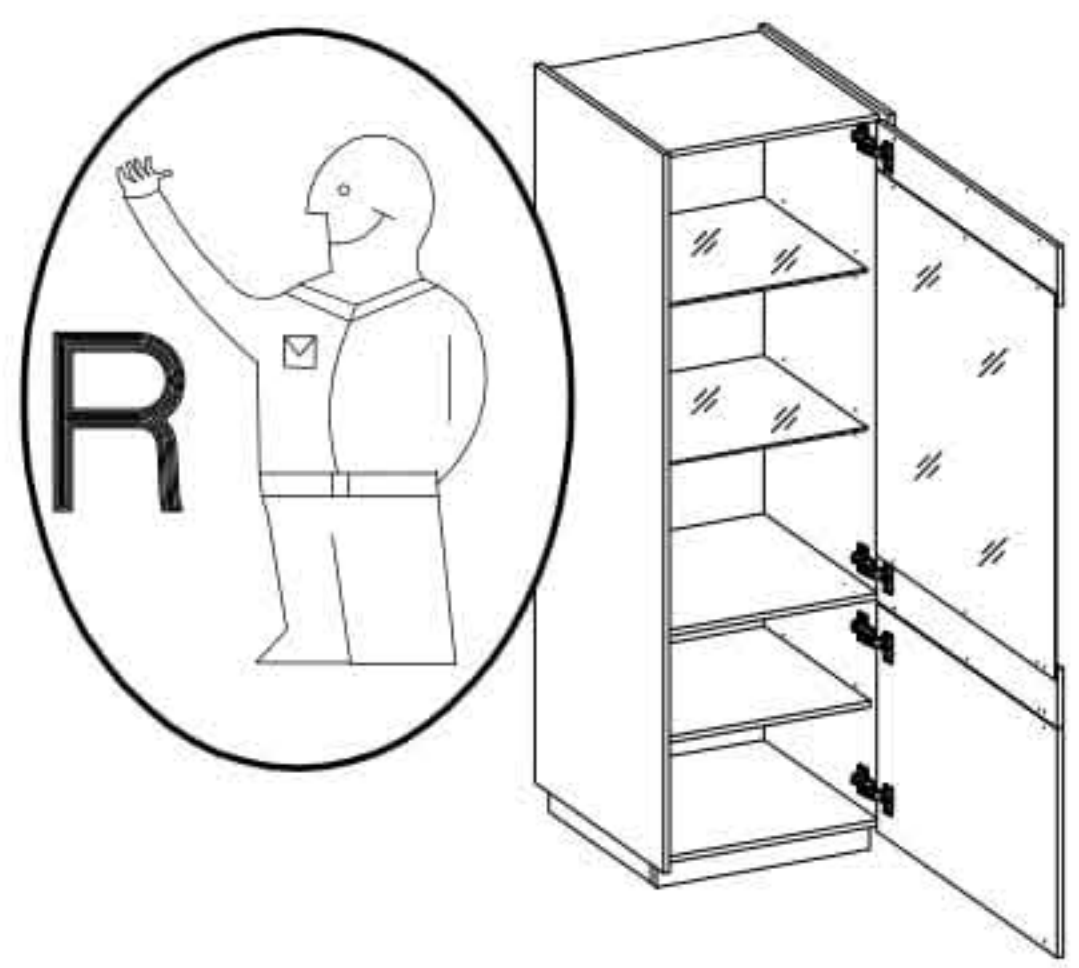


75x30x15mm	4.3x13mm	4.5x60mm	10x50mm
L19	P5	P12	O7
1	2	1	1

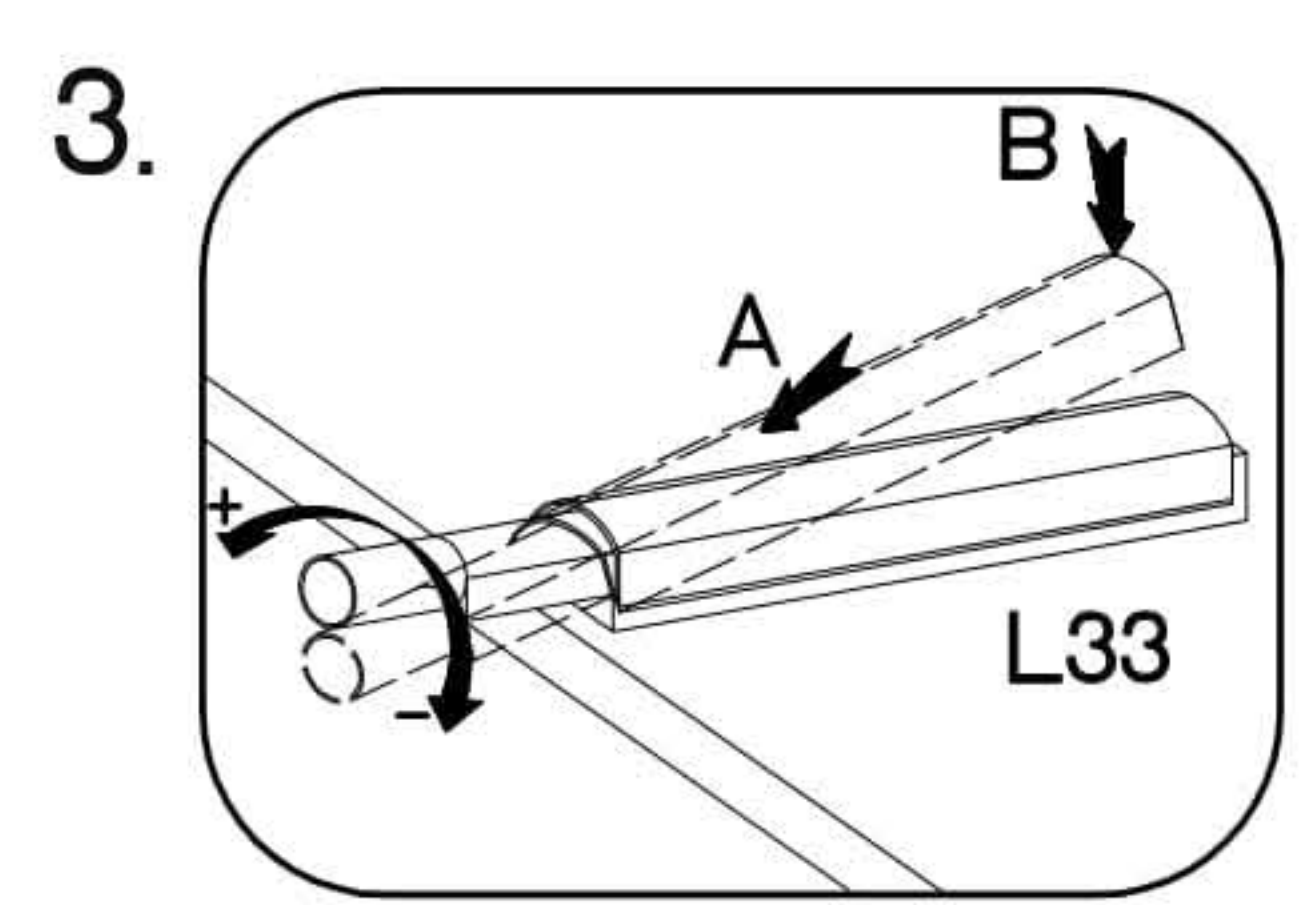
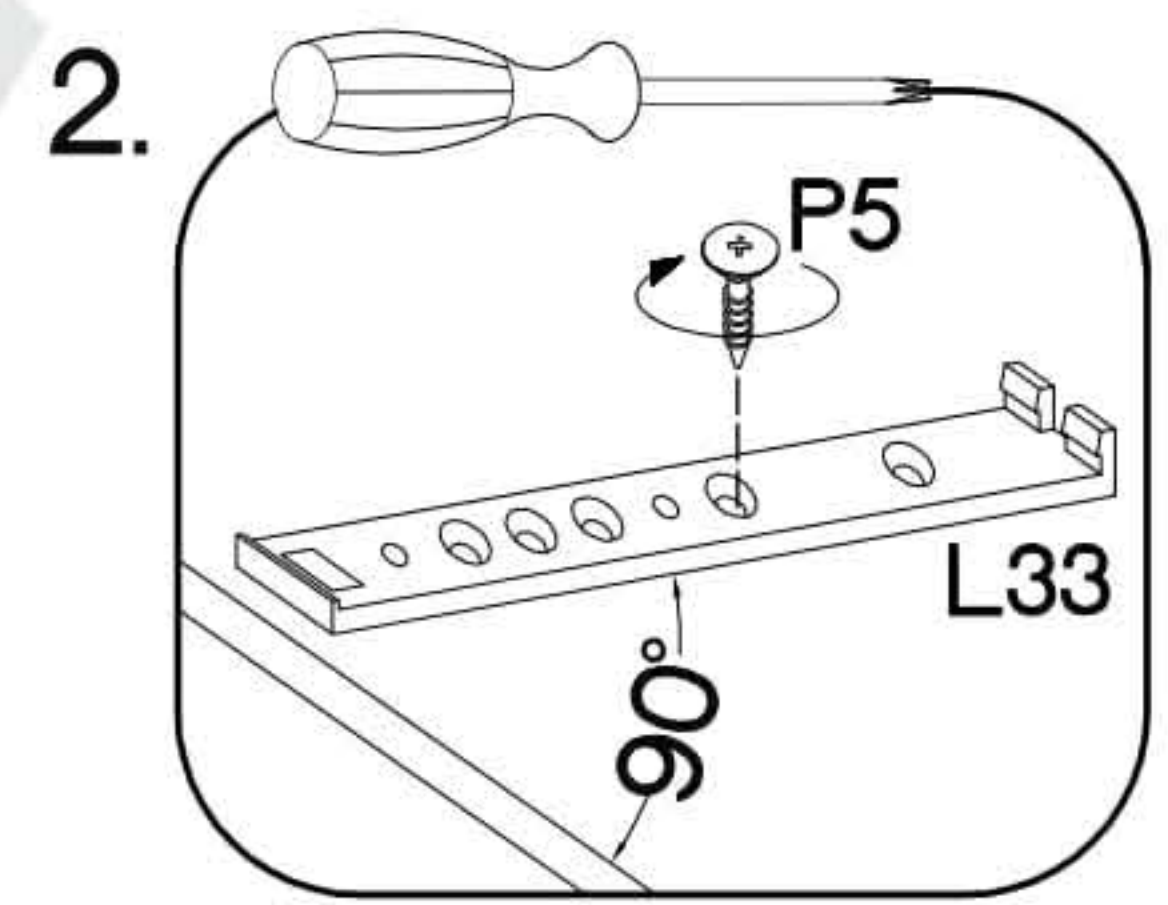
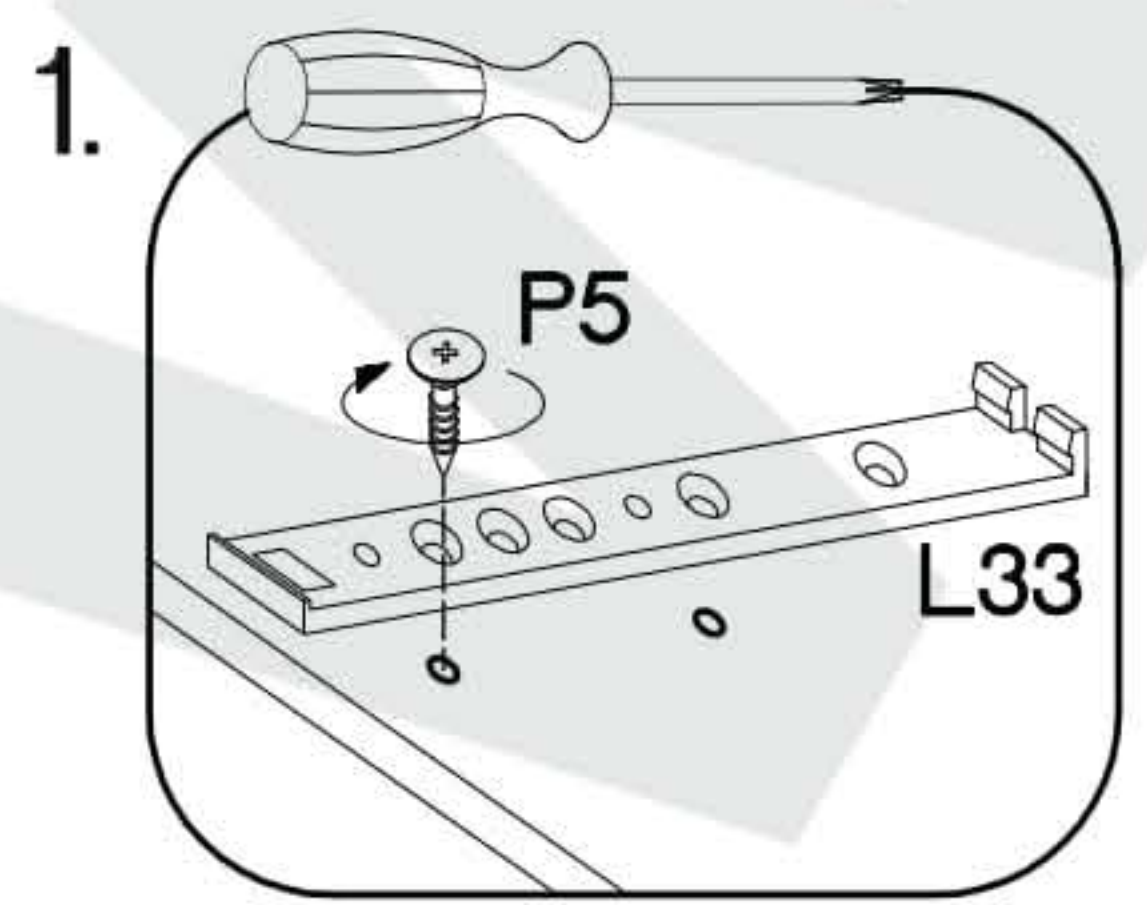
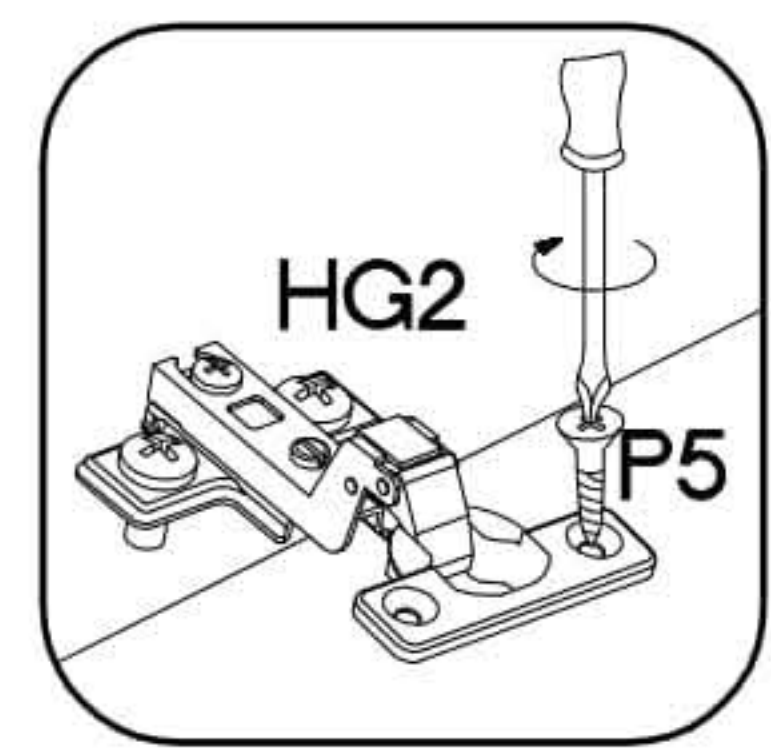
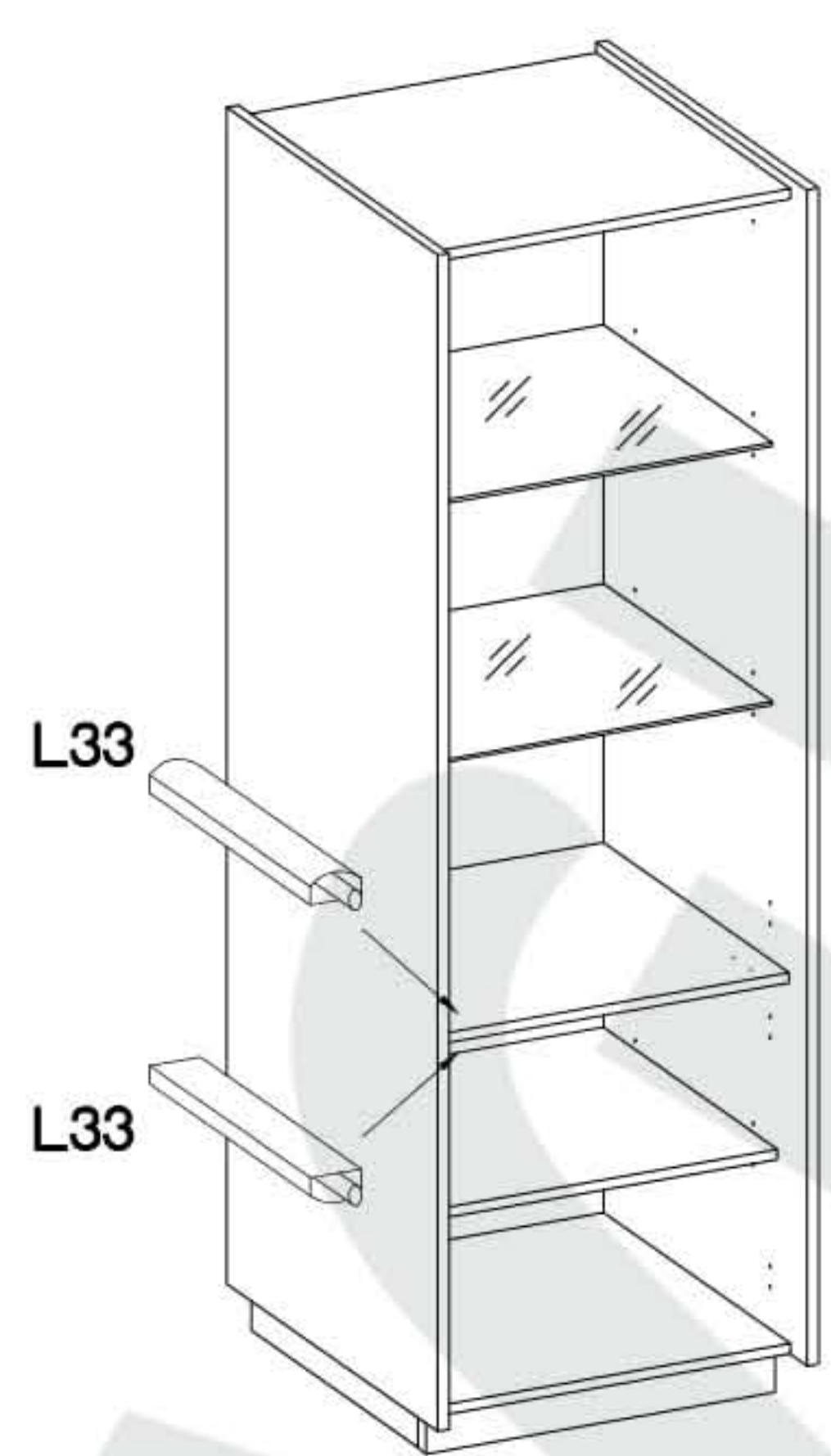
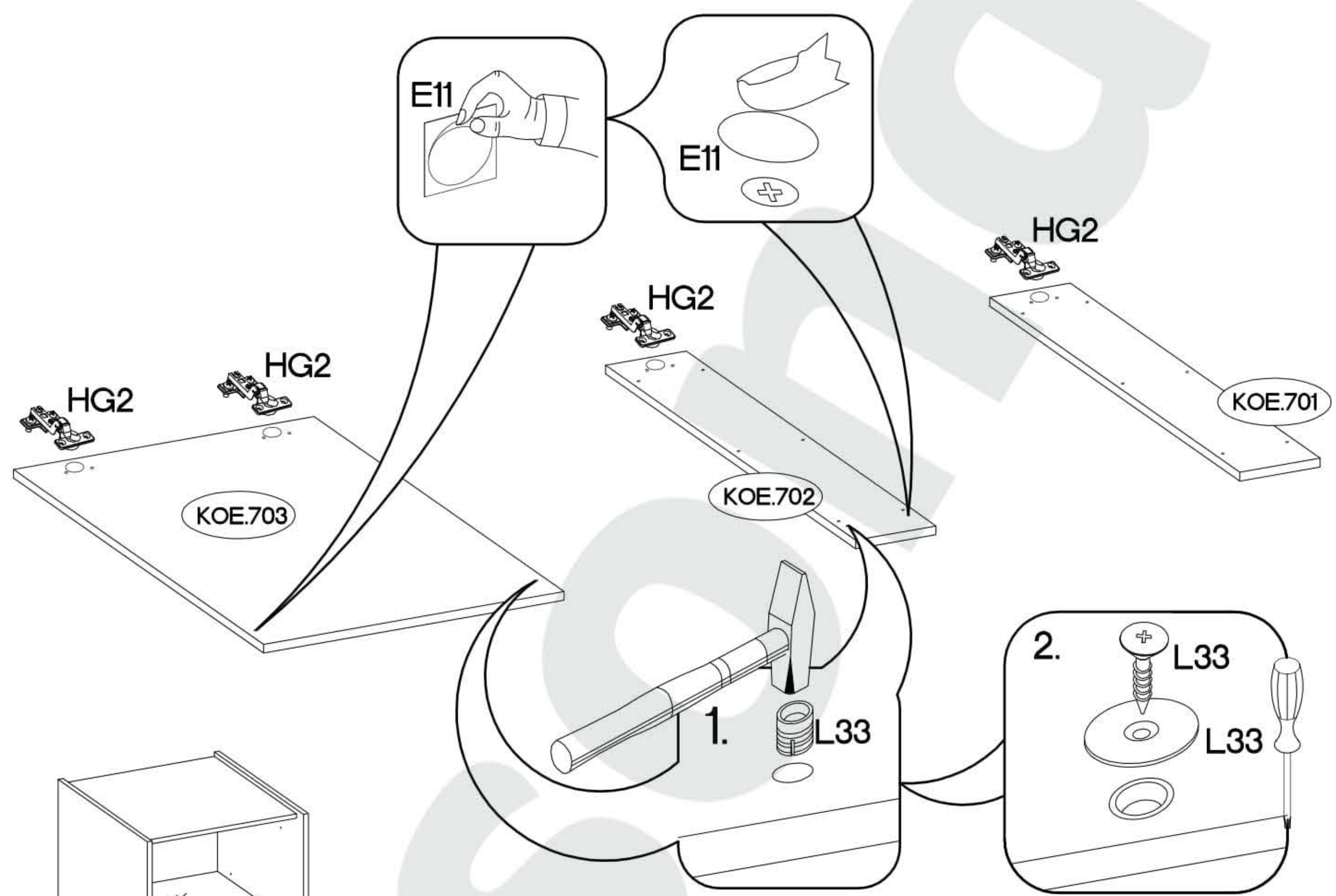
$\pm 5/16\text{mm}$  J3 4	 J12 orz. 8	$\pm 20$  E11 8
---	--	---





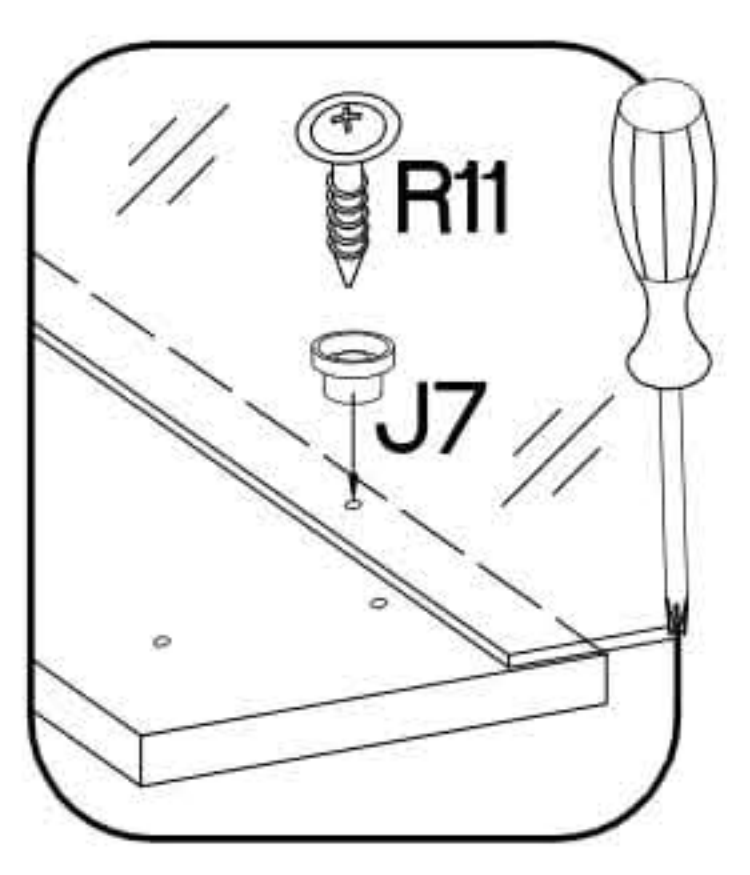
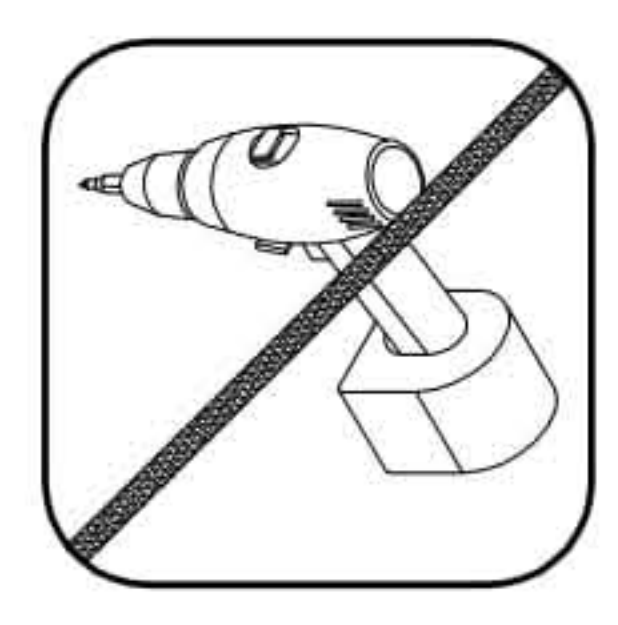
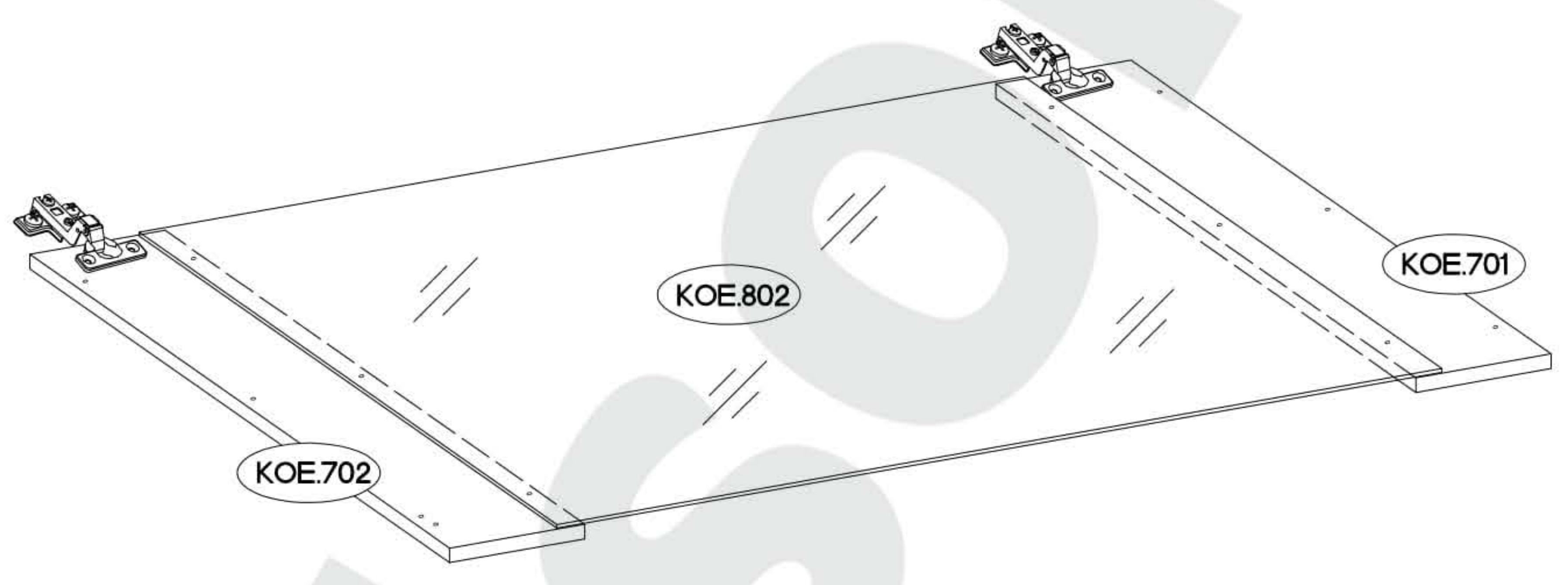
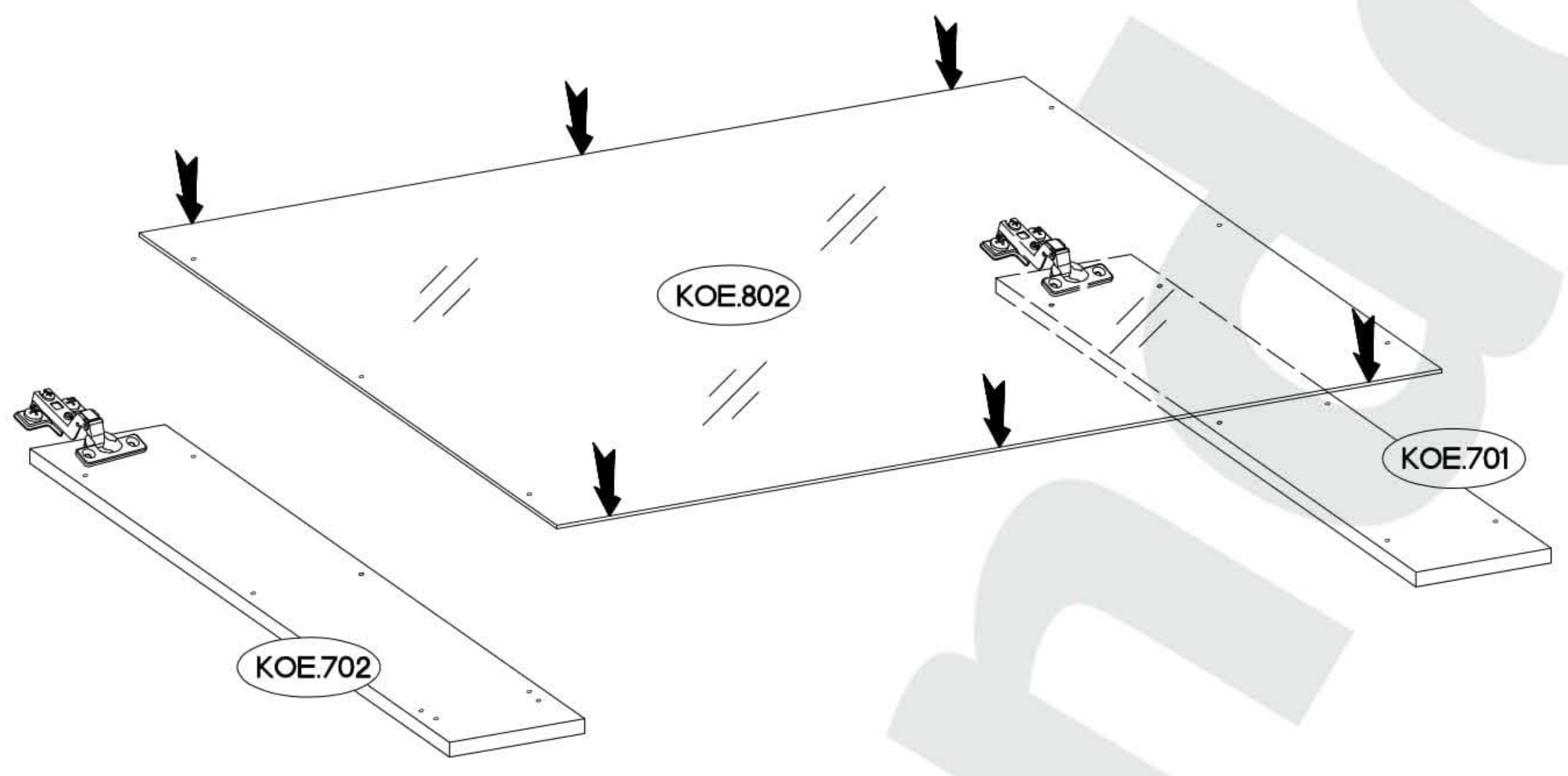


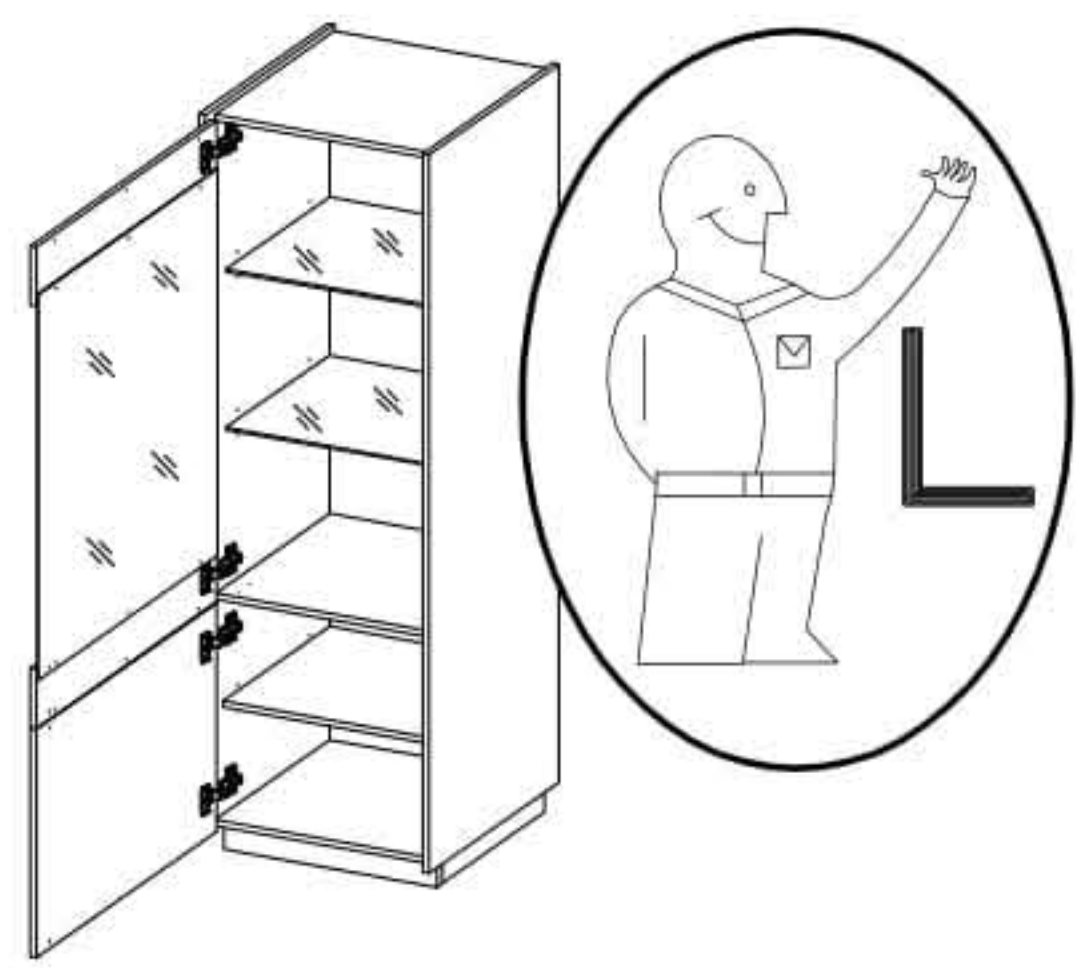


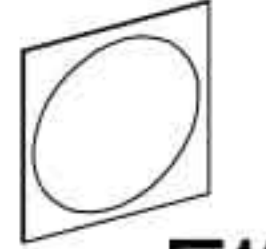
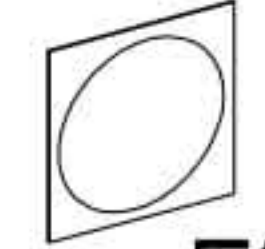
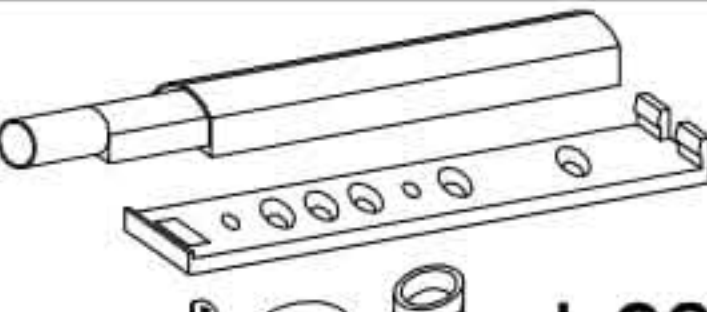


$\pm 20$ 	$\pm 20$ 		$\pm 35/16\text{mm}$ 	$\pm 3.5 \times 13\text{mm}$ 
orz. E11	bez E11	L33	HG2	P5
1	1	2	4	12

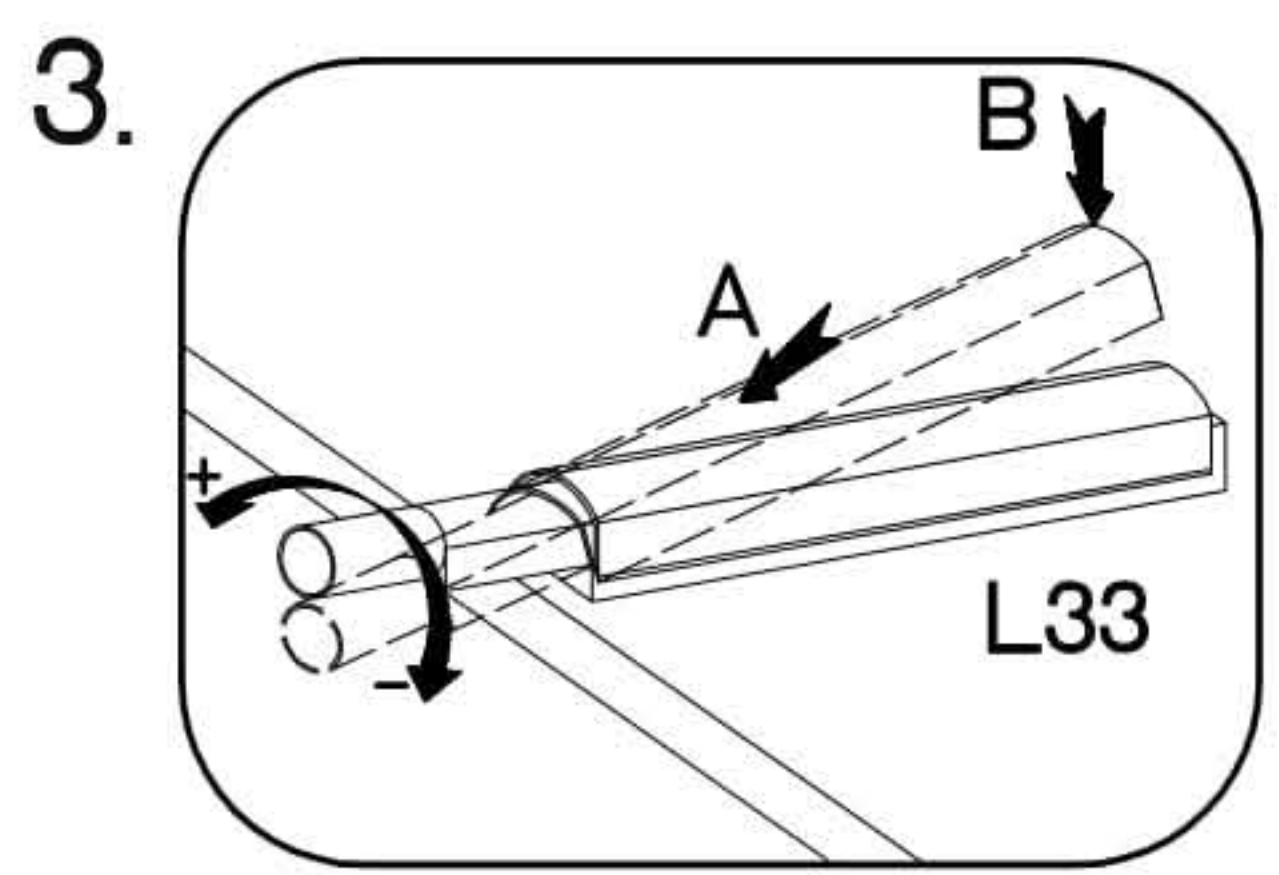
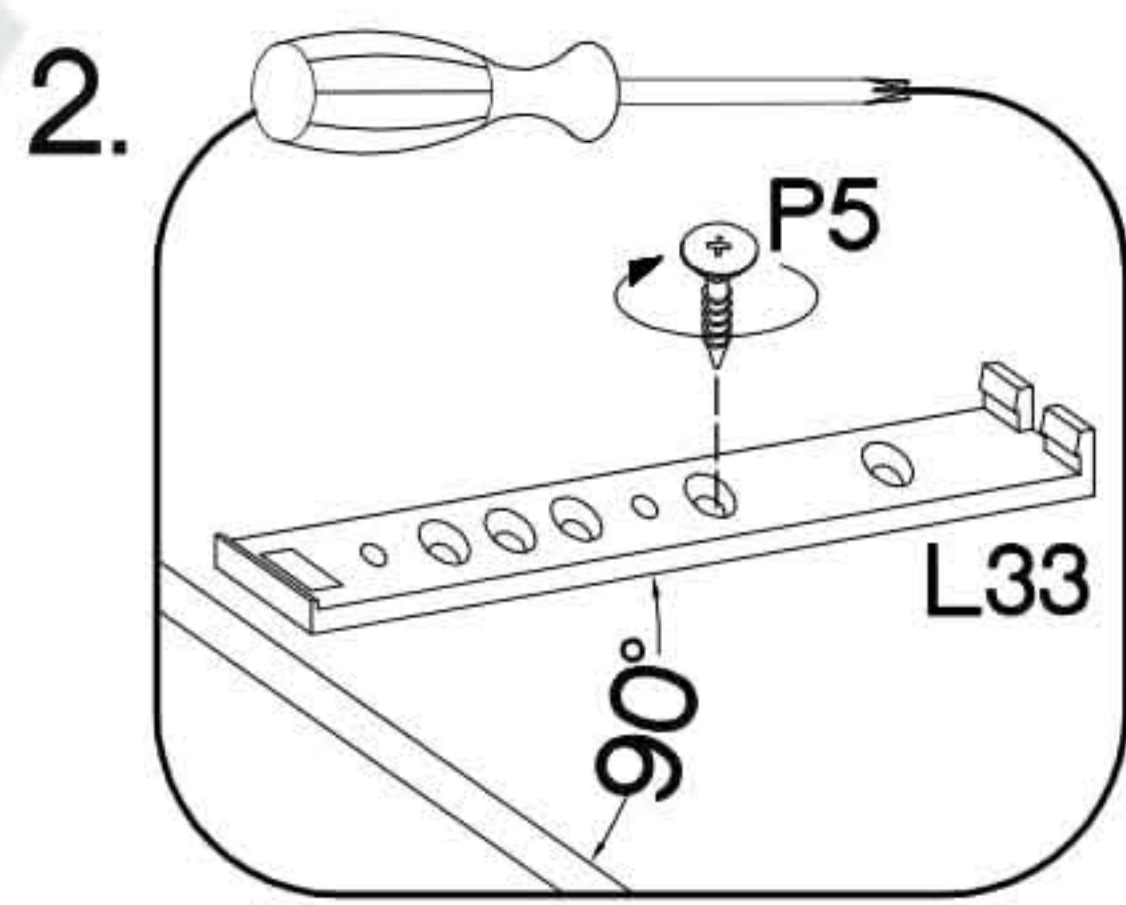
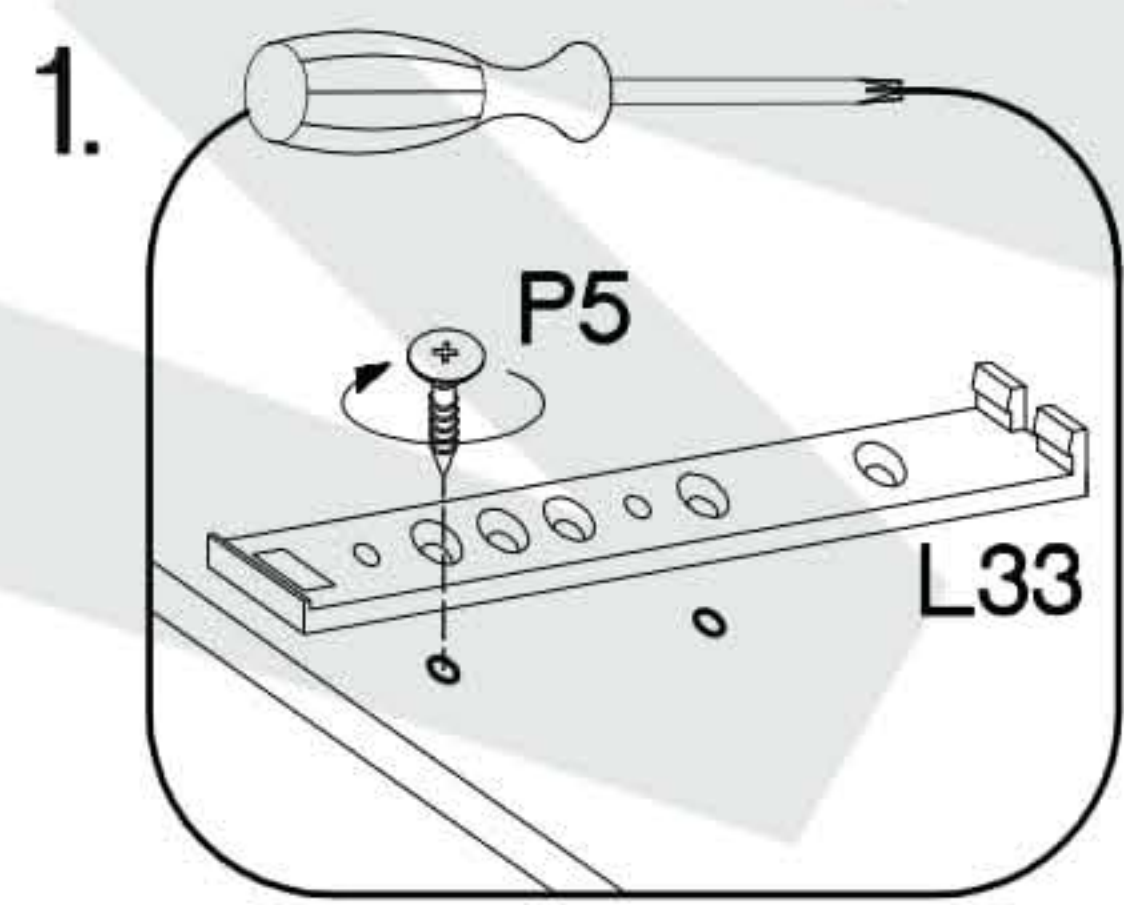
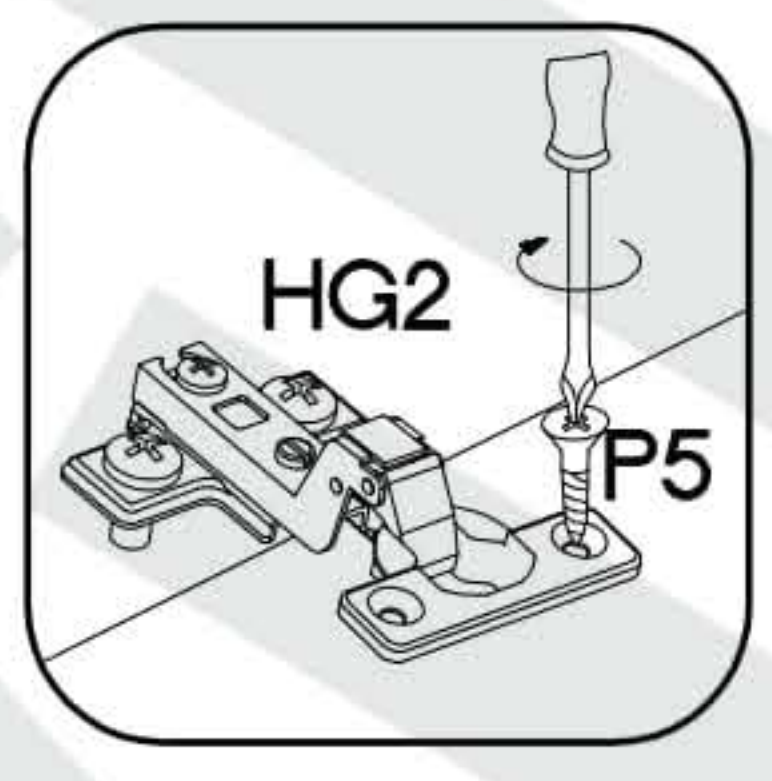
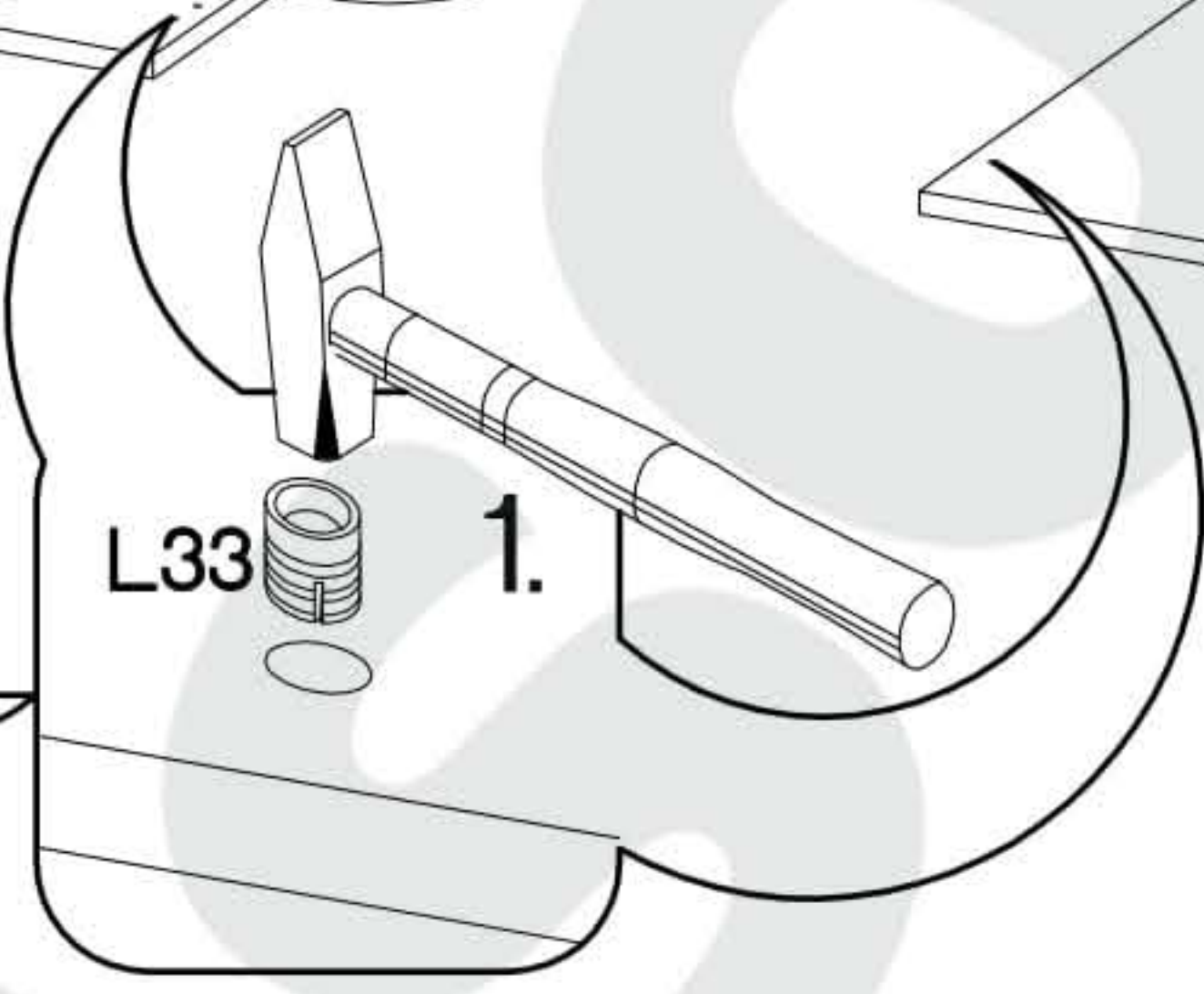
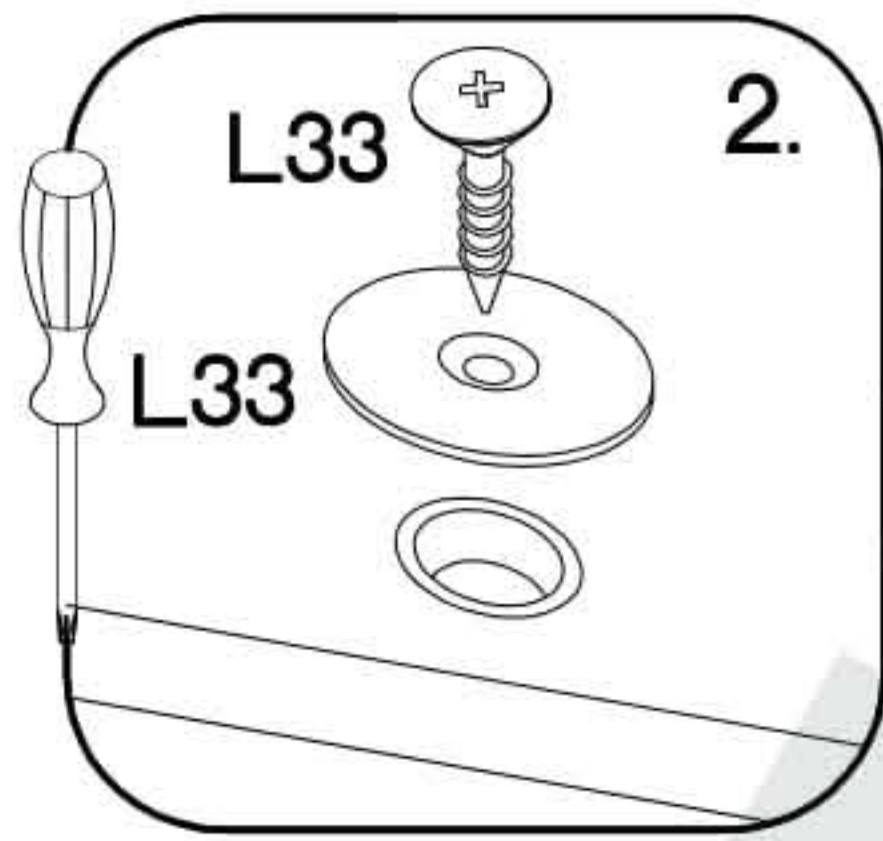
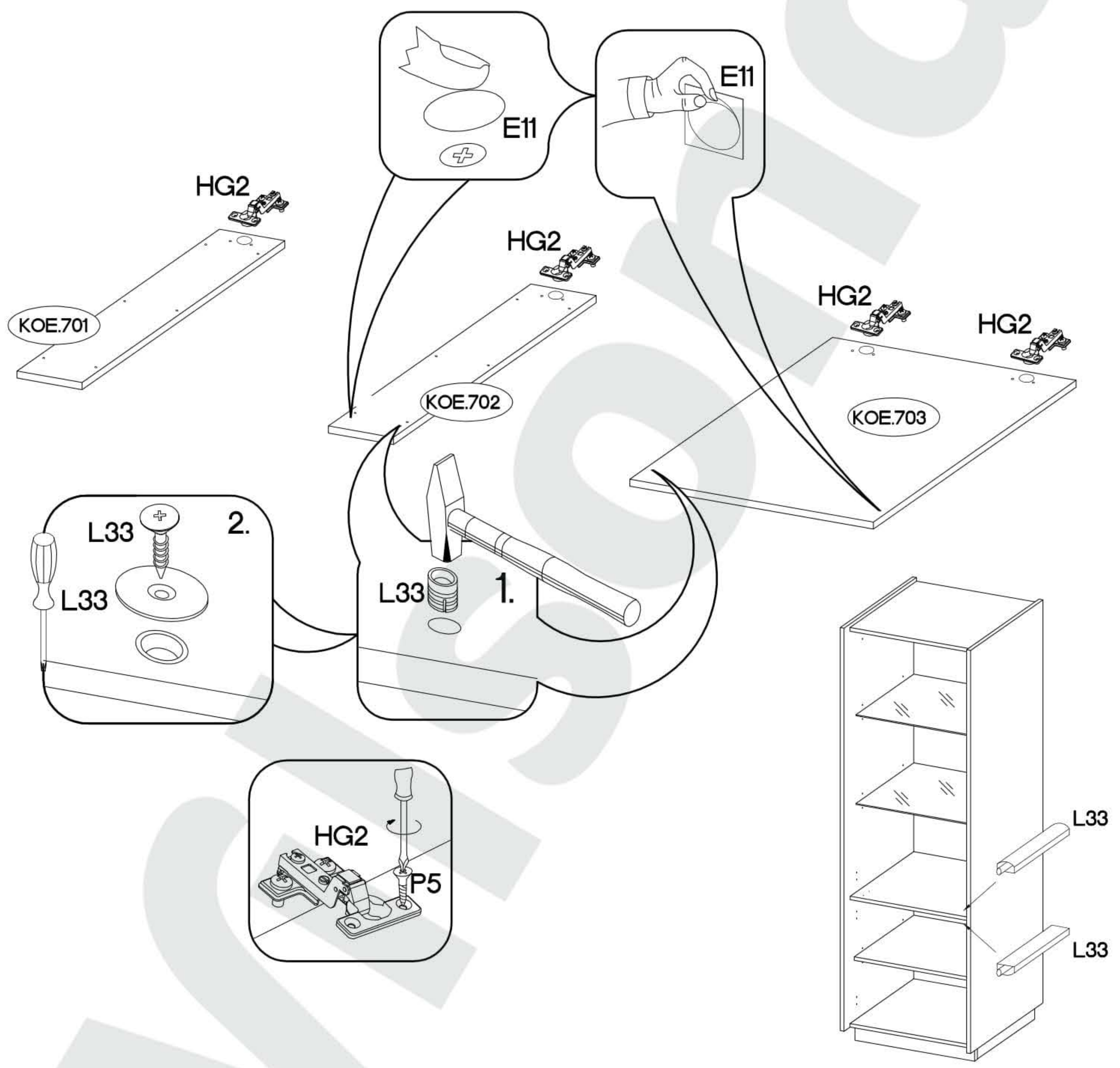




4.0x16mm  R11 6	7/4mm  J7 6
--	--





$\varnothing 20$ 	$\varnothing 20$ 		$\varnothing 35/16\text{mm}$ 	$\varnothing 3.5 \times 13\text{mm}$ 
orz. E11	beż E11	L33	HG2	P5
1	1	2	4	12



4.0x16mm  R11 6	7/4mm  J7 6
--	--

