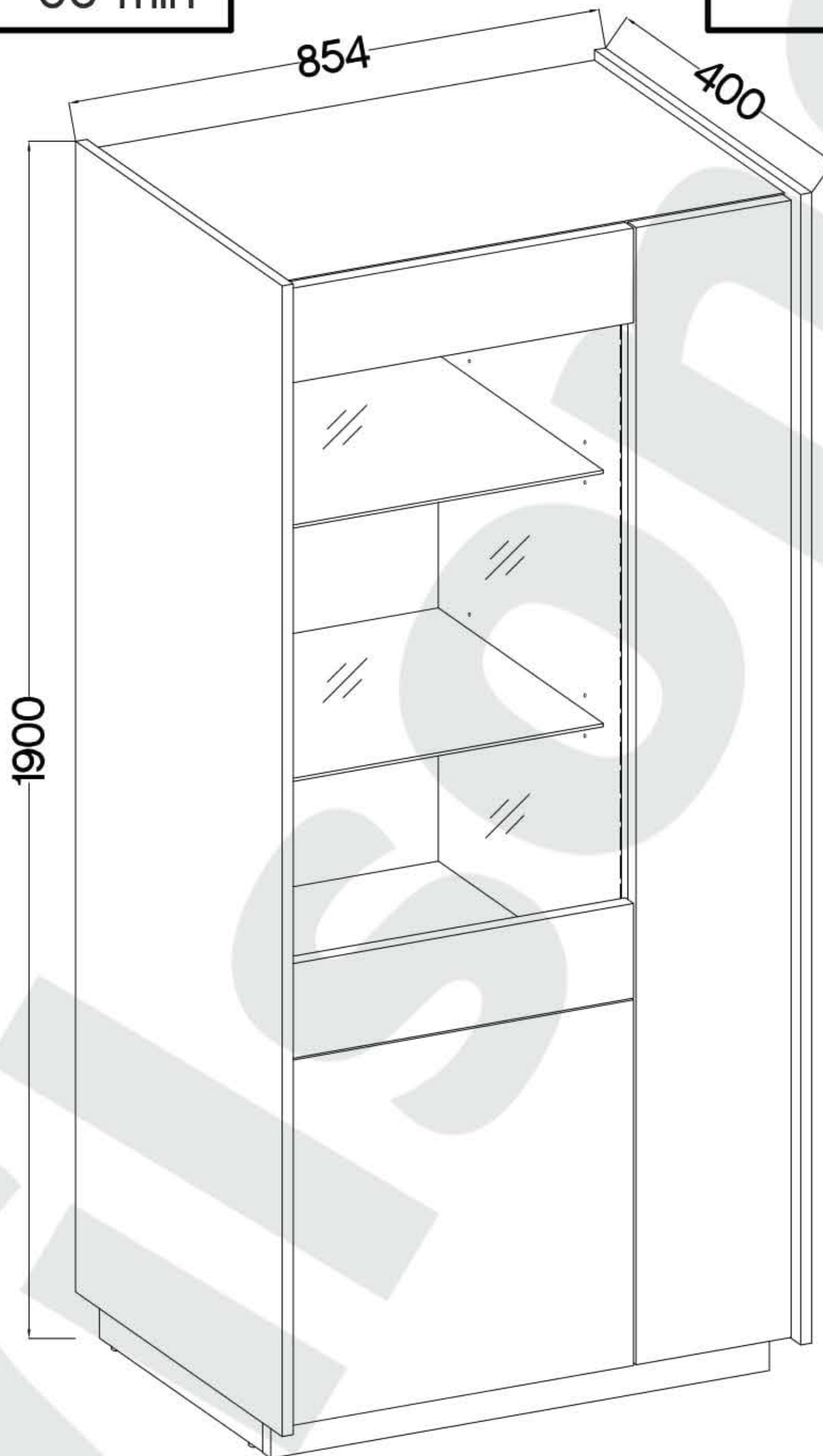


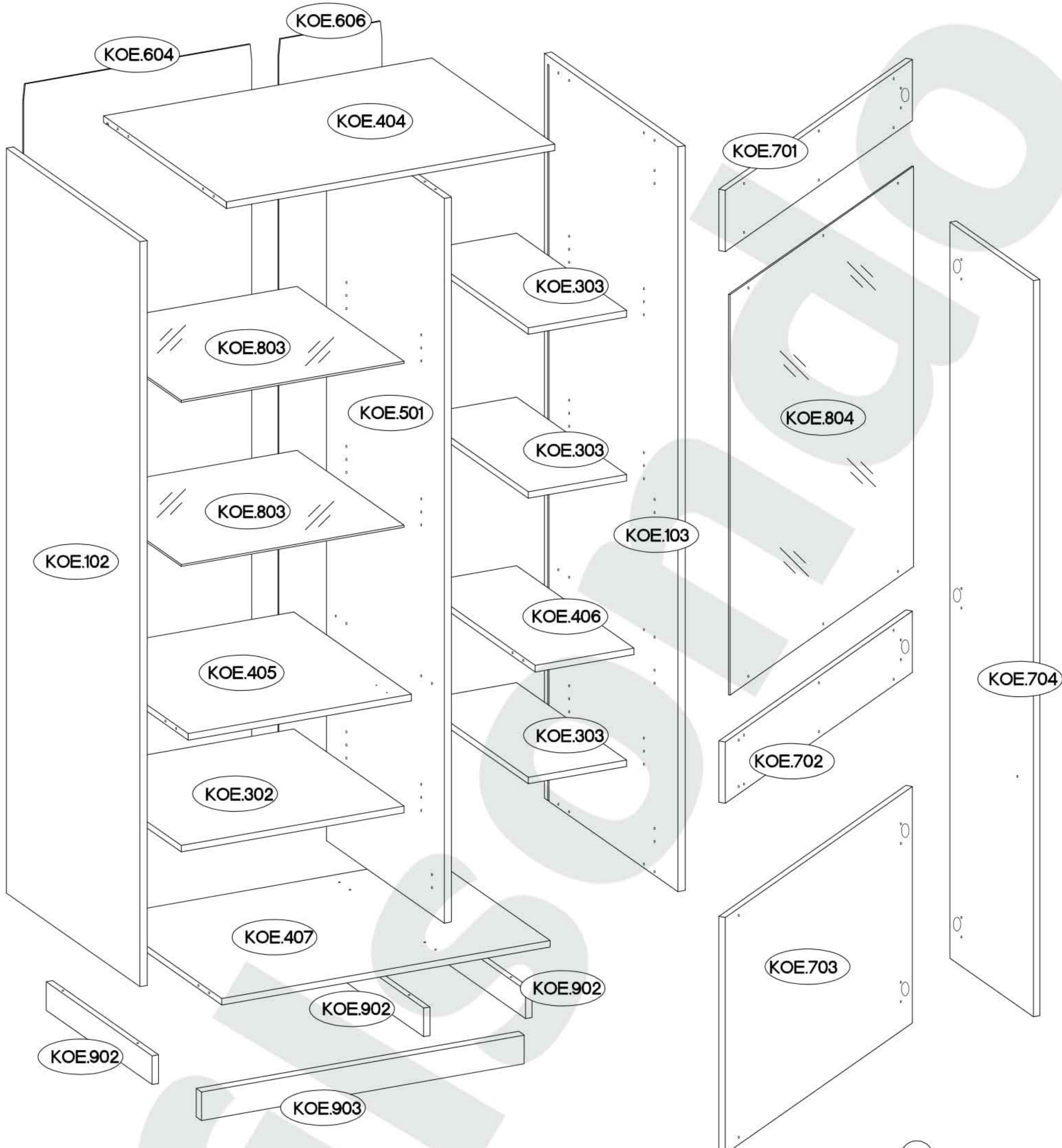
90 min


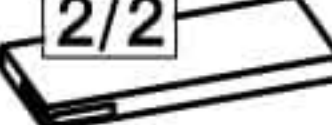
TYP 102



 †8x30mm A 22	 †8x60mm A2 2											 †15/12mm C 20								
 L=20mm D2 16	 L=56mm D4 2	 †20 E11 9	 †20 bez E11 9	 †15x5mm F4 6	 †35/16mm HG2 7	 †5/16mm J3 16	 J12 8	 †7/4mm J7 6	 L 15	 L2 15										
 75x30x15mm L19 1	 L33 3	 O1 1	 †10x50mm O7 1	 †4.0x16mm P1 10	 †3.5x13mm P5 22	 †3.0x20mm P7 28	 †5.0x60mm P12 1	 †4.0x16mm R11 6	 T3 5											

ISM-KOE-002



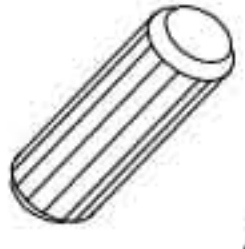


		Ersatzteil Nummer	Dimension			Ersatzteil Nummer	Dimension
1/2		KOE.404	818x368x16	2/2		KOE.103	1826x400x18
		KOE.405	556x352x16			KOE.102	1826x400x18
		KOE.406	246x352x16			KOE.501	1777x353x16
		KOE.407	818x354x16			KOE.604	1796x568x2,5
		KOE.903	804x70x16			KOE.606	1796x257x2,5
		KOE.902 x3	317x70x16			KOE.804	982x549x4
		KOE.302	555x330x16			KOE.701	560x150x16
		KOE.303 x3	245x330x16			KOE.702	560x150x16
		KOE.803 x2	555x320x5			KOE.703	560x580x16

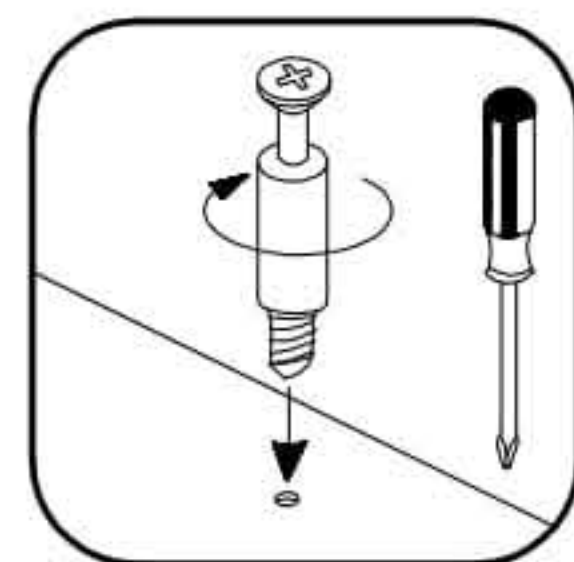
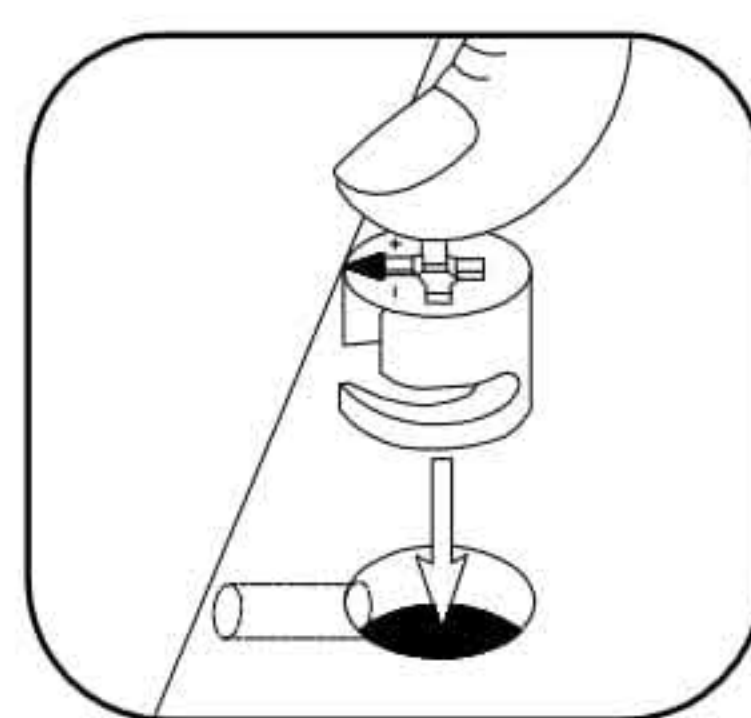
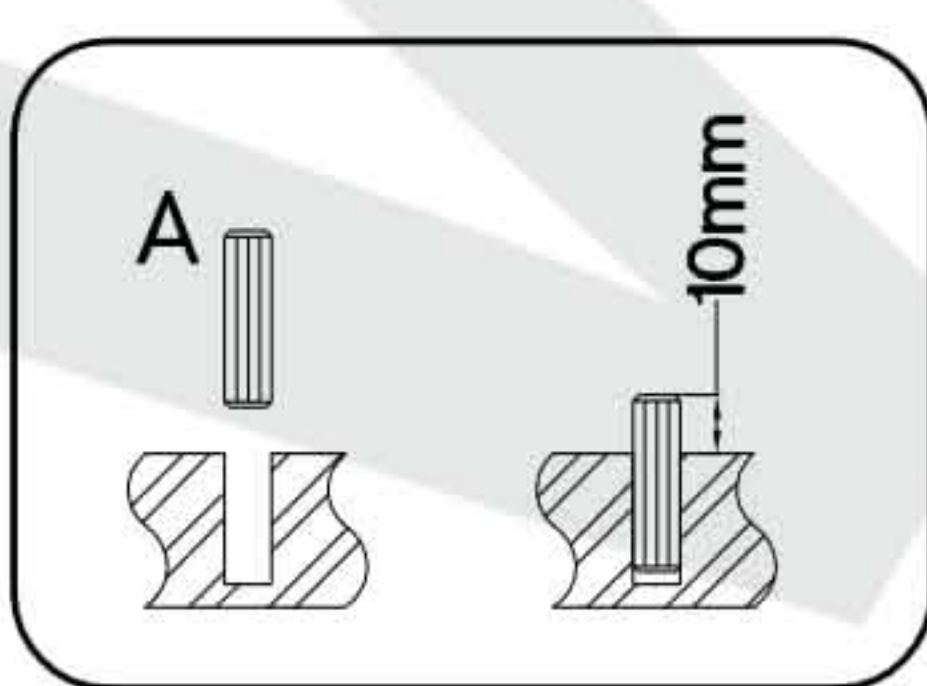
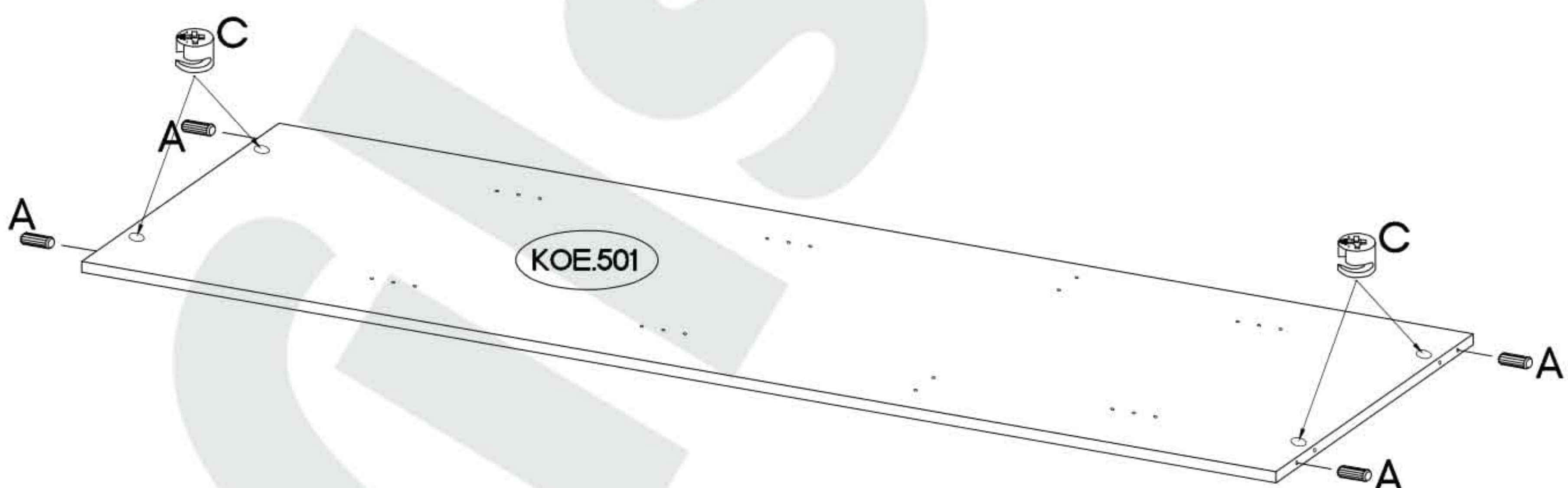
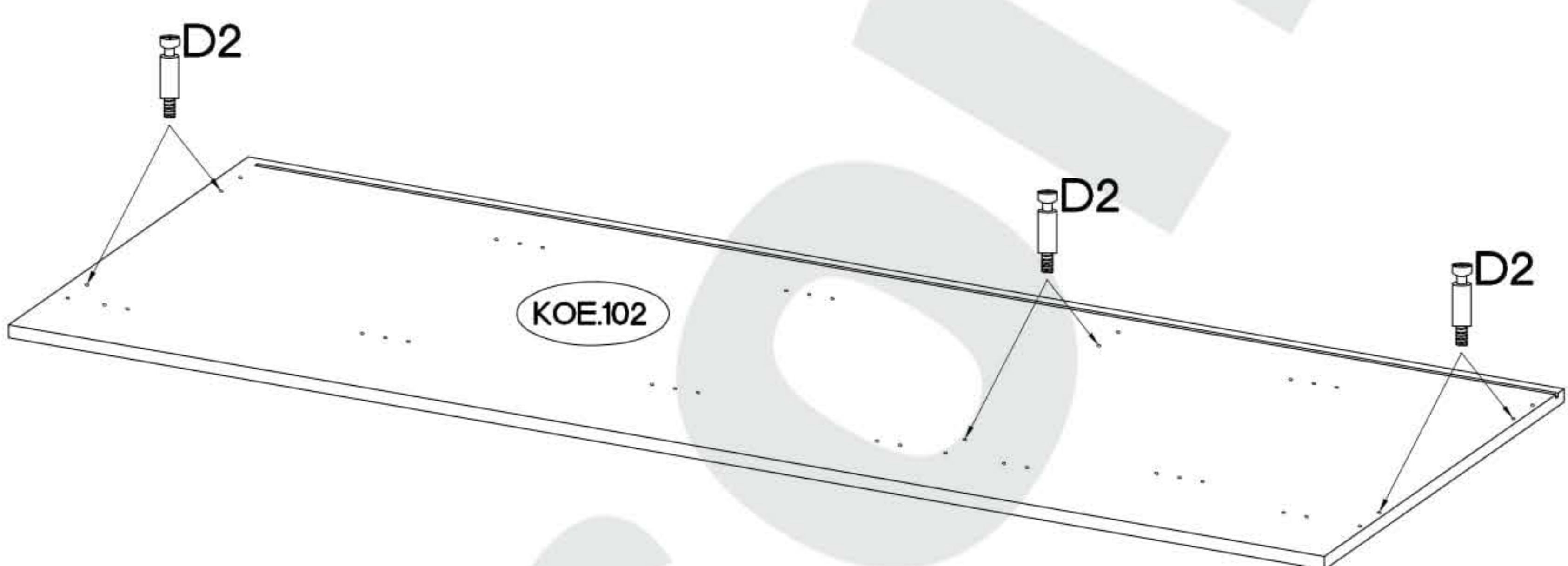
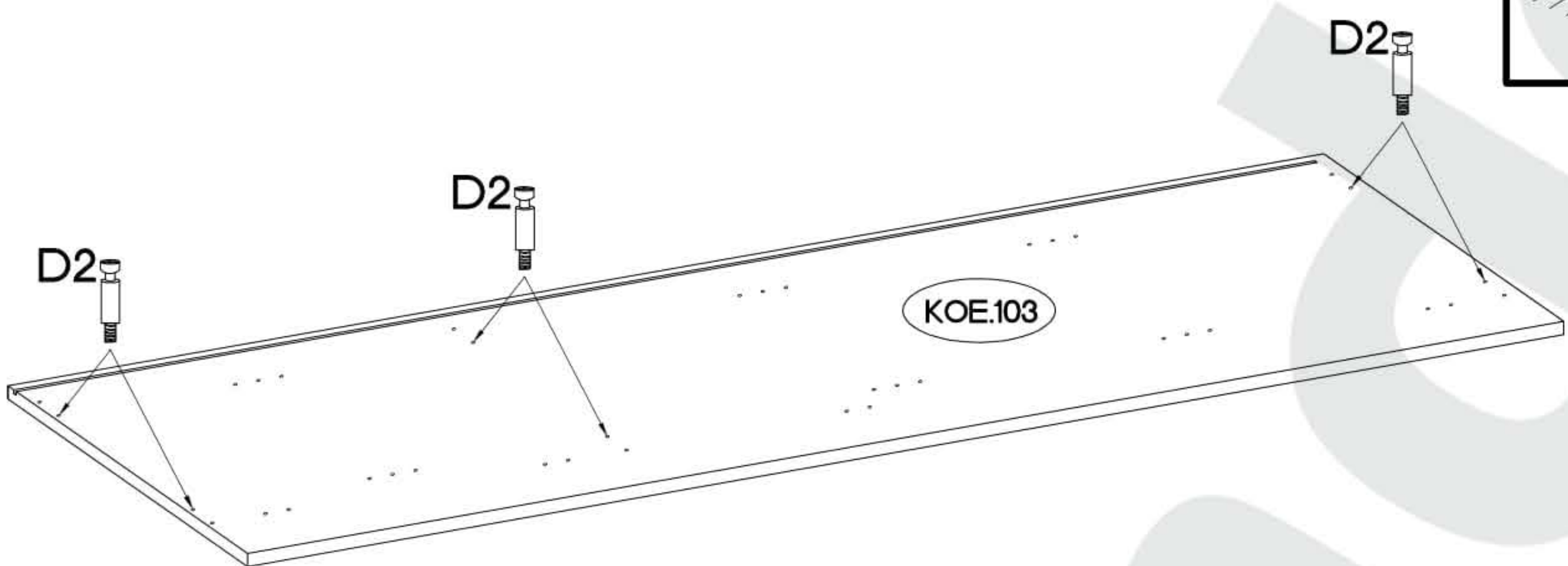
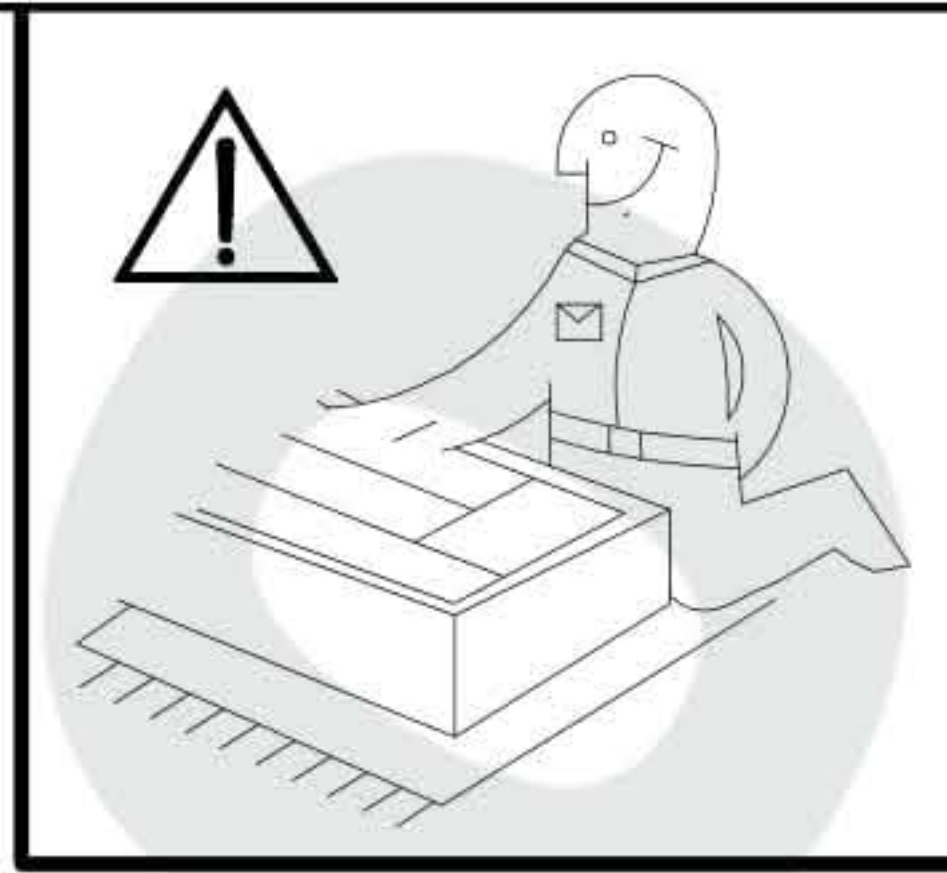
 max. 10kg KOE.407

 max. 5 kg KOE.302
KOE.303
KOE.405
KOE.406

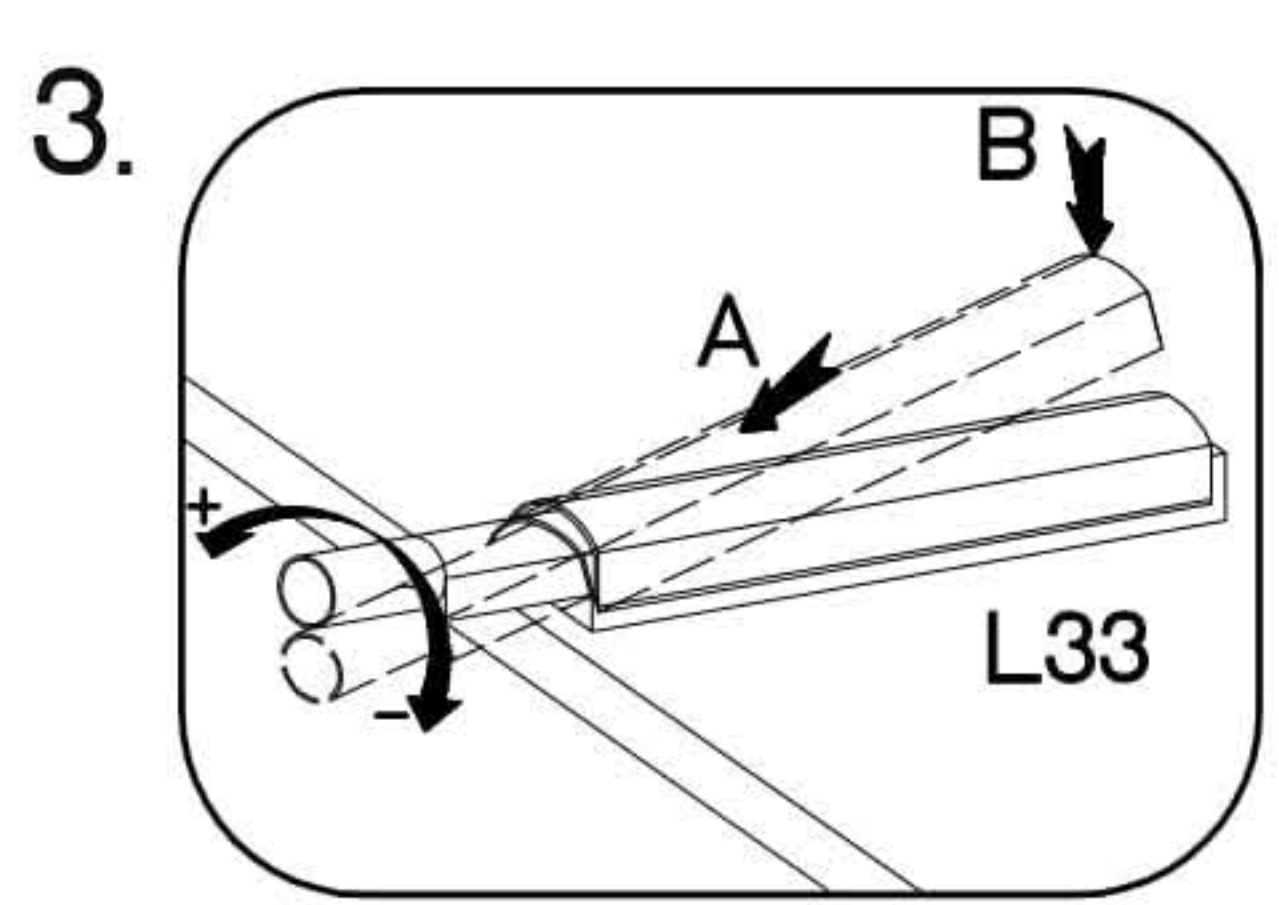
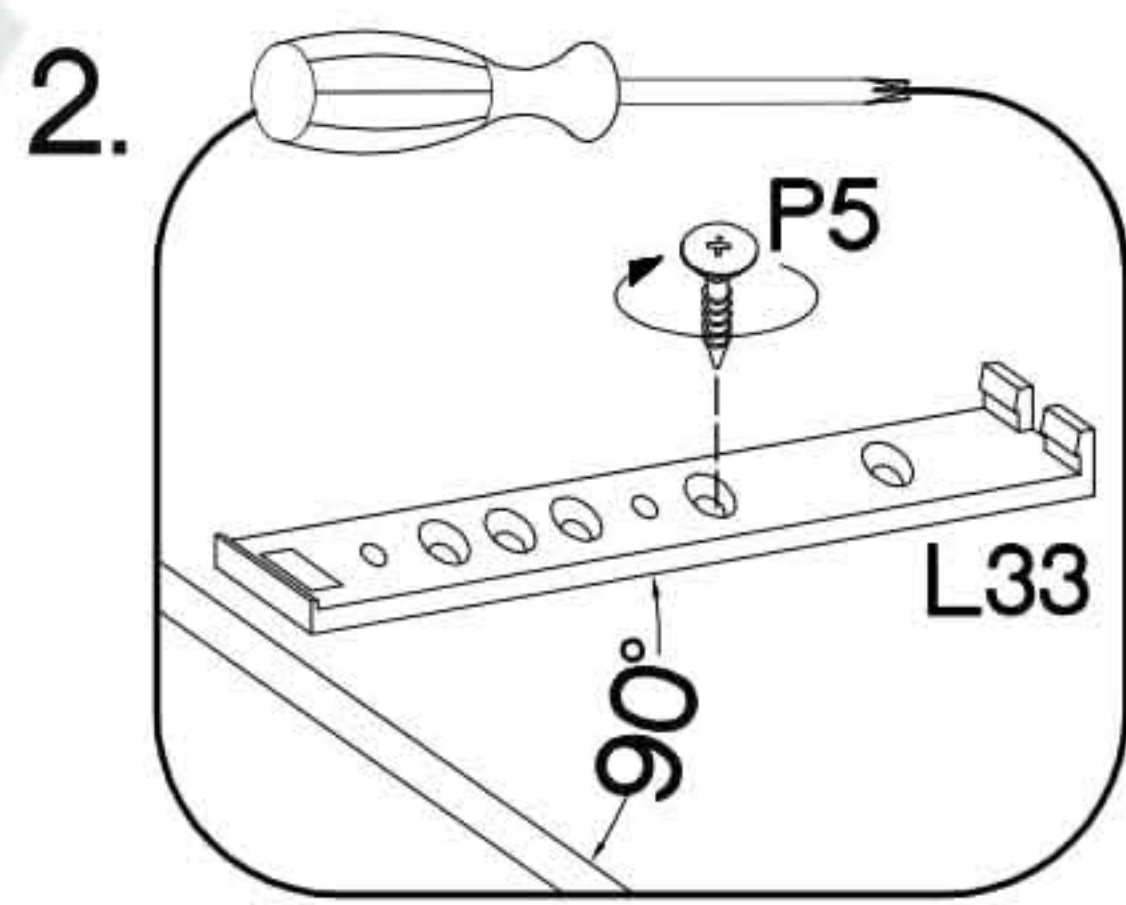
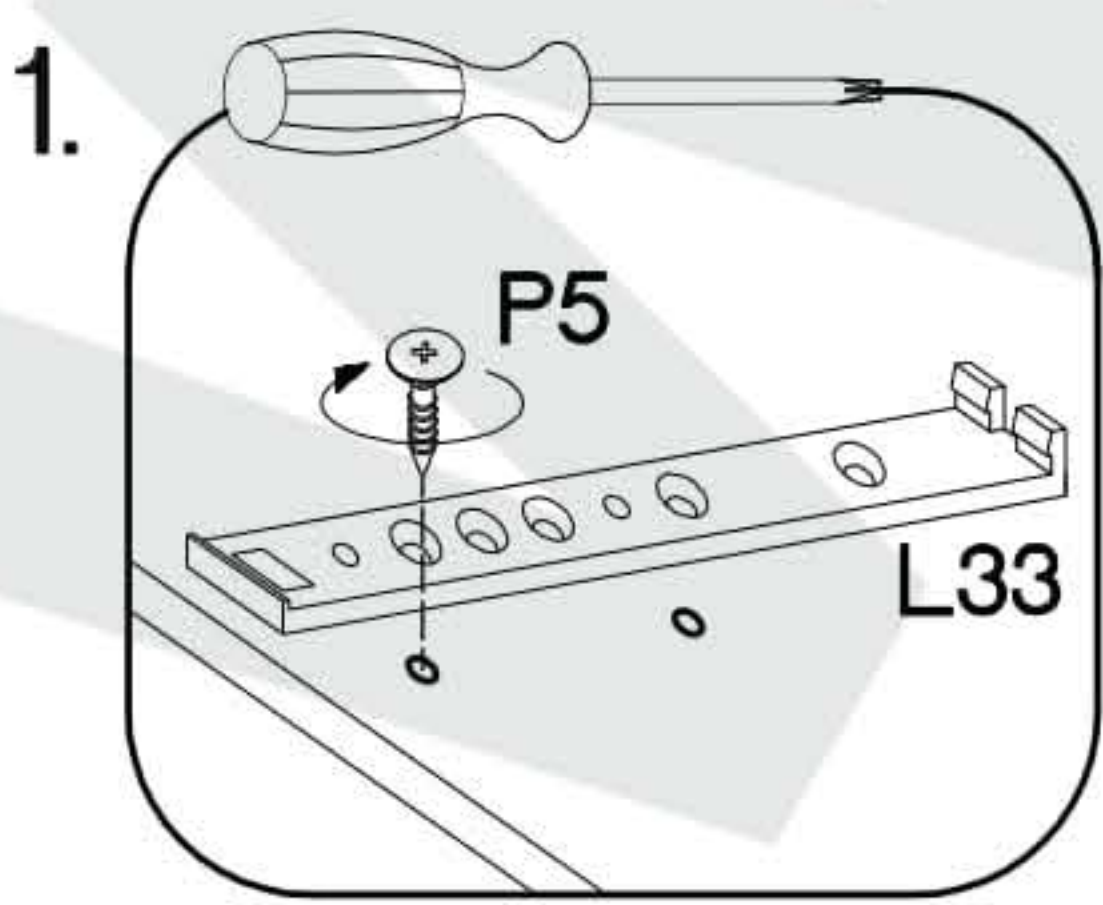
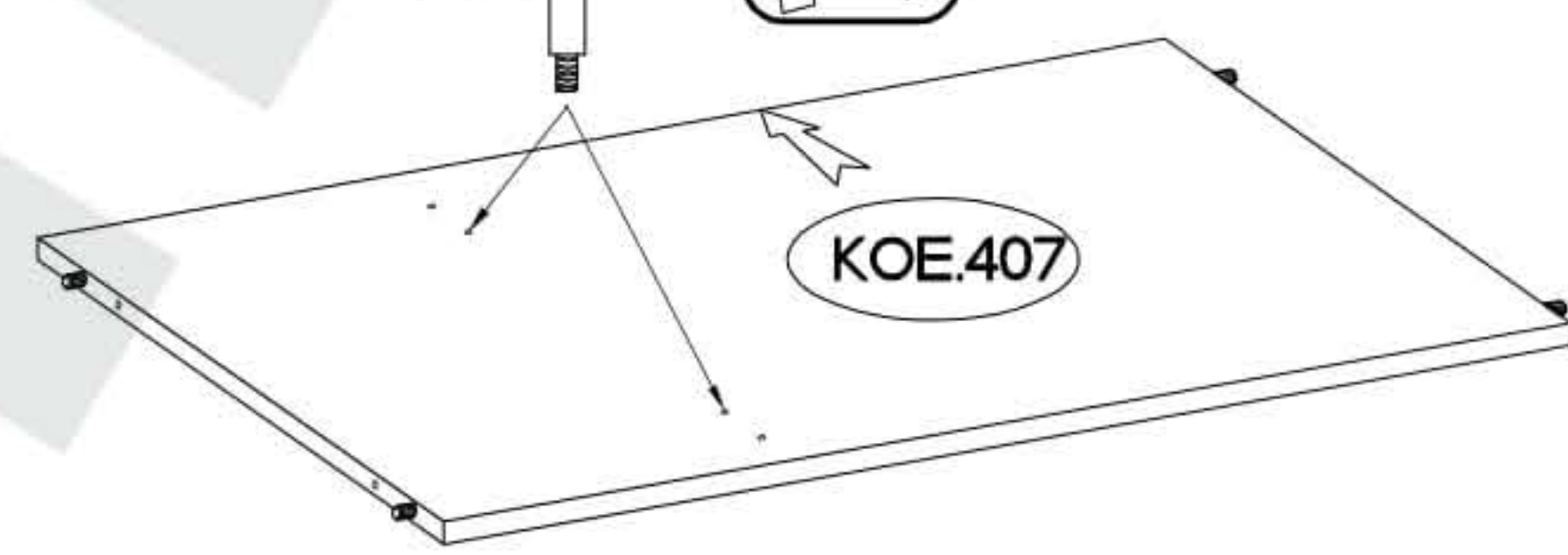
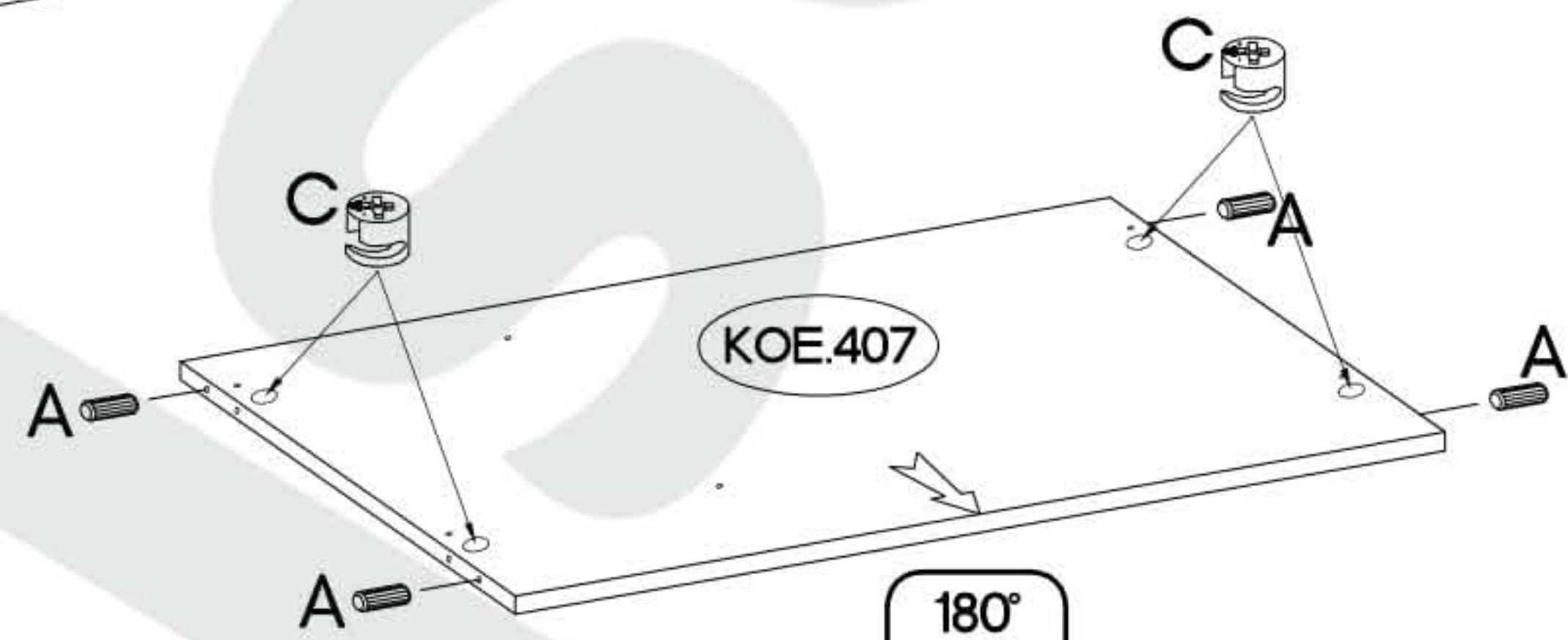
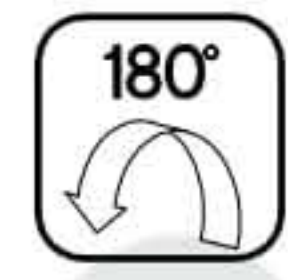
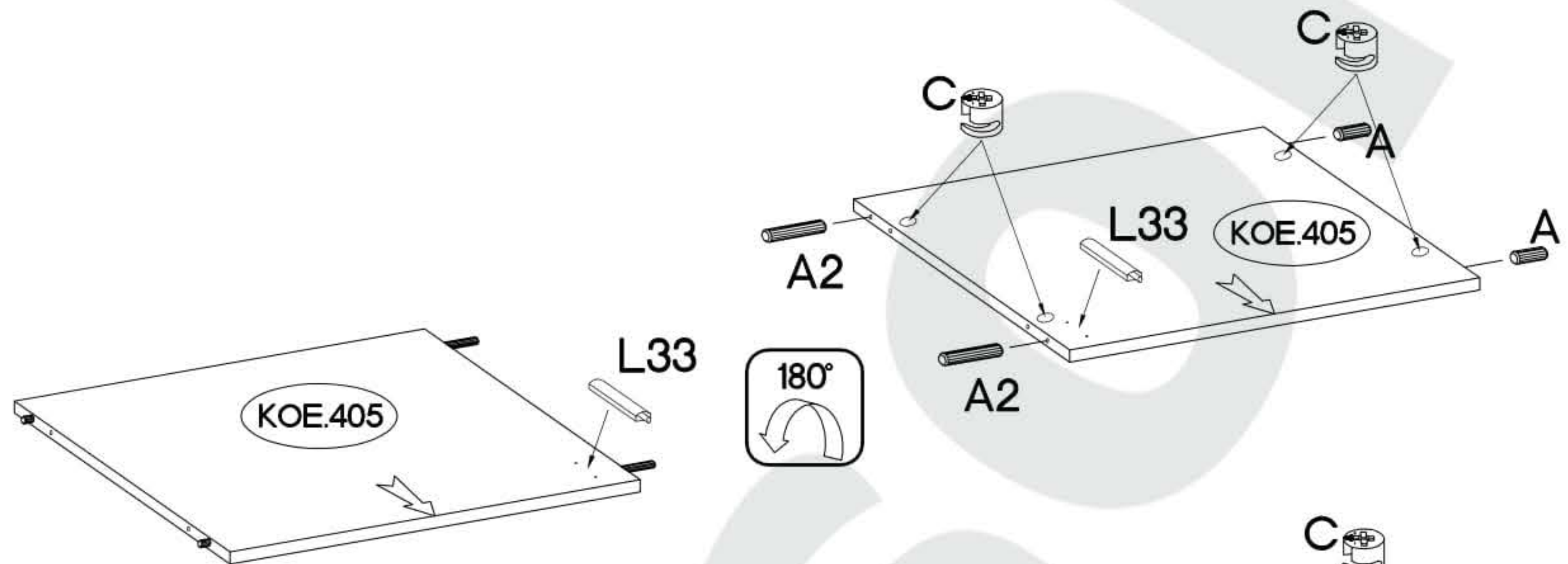
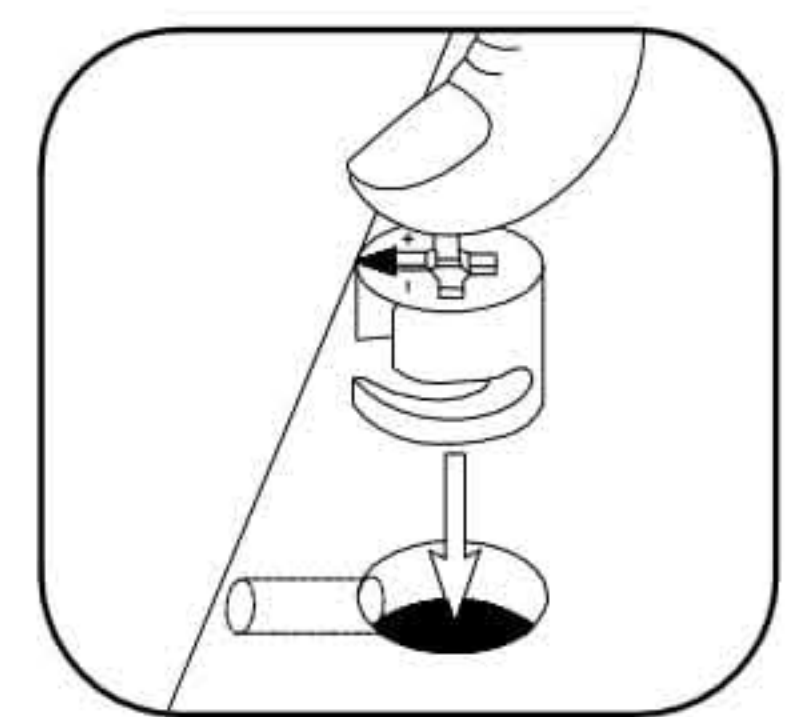
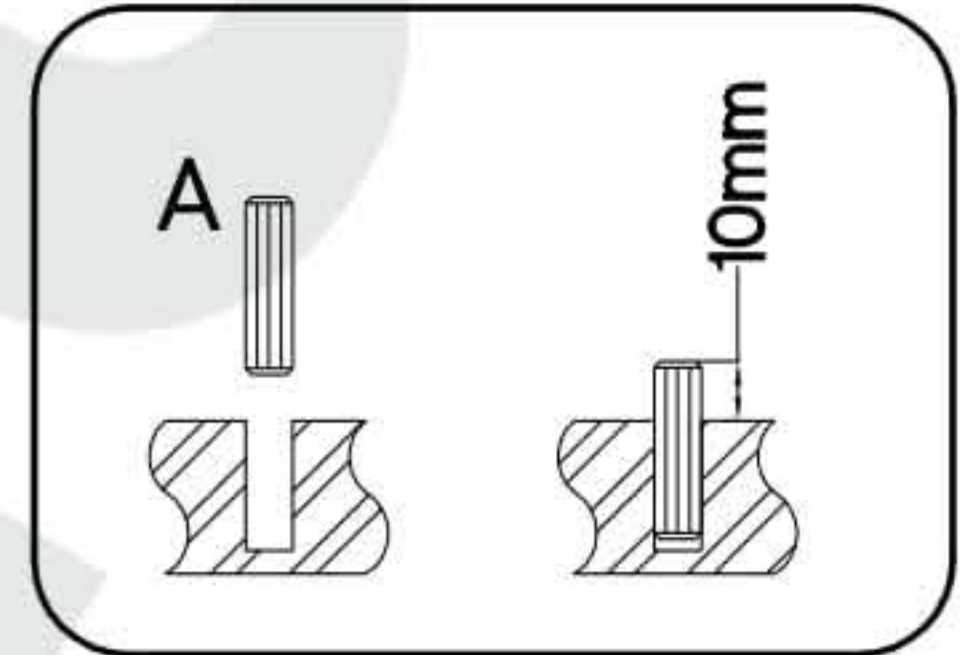
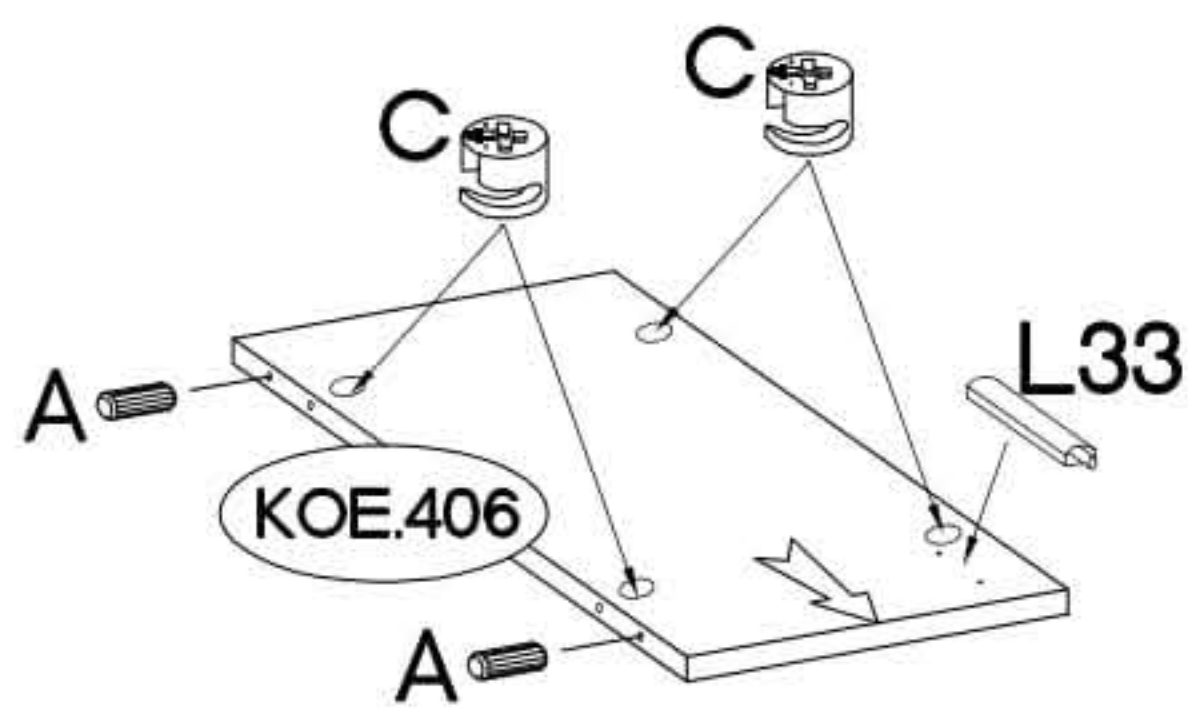
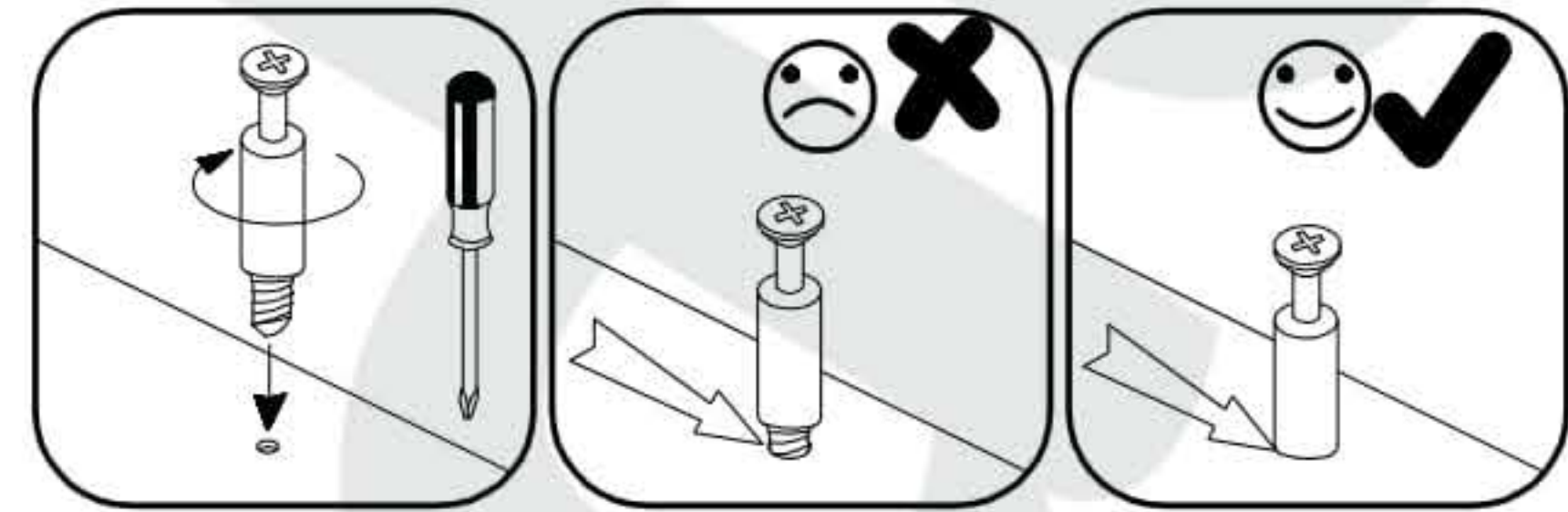
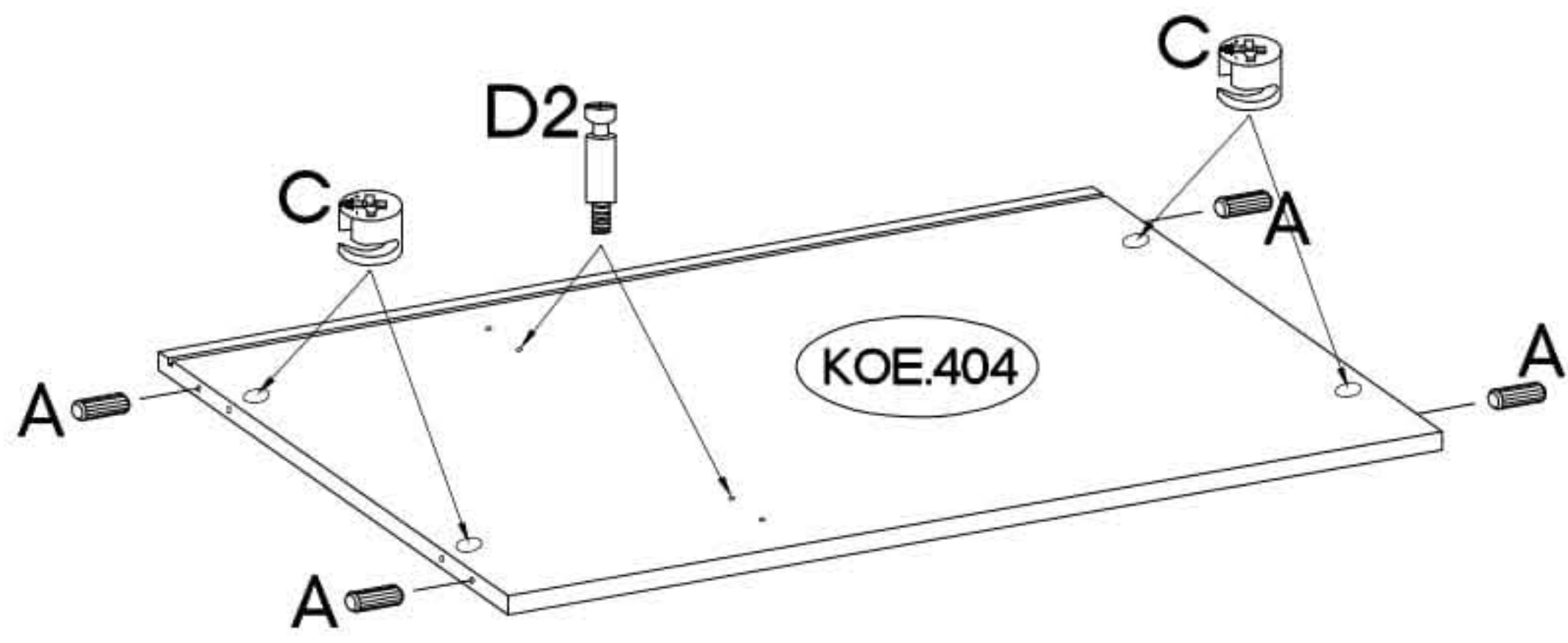
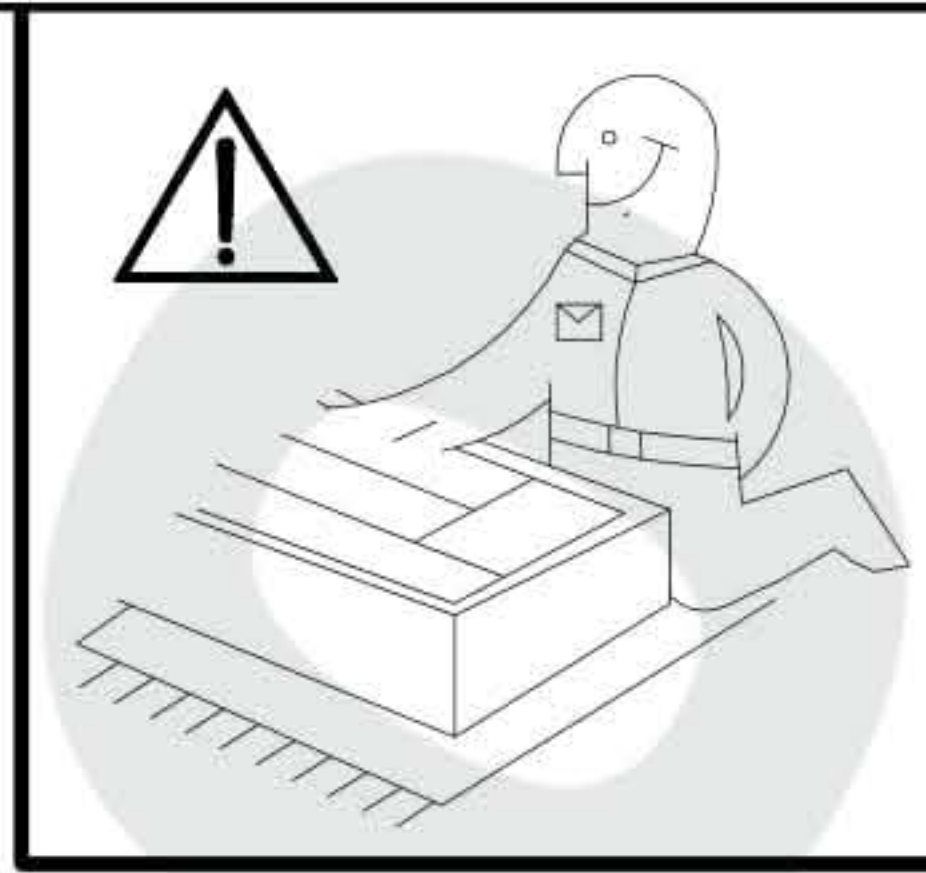
 max. 2 kg KOE.803

1

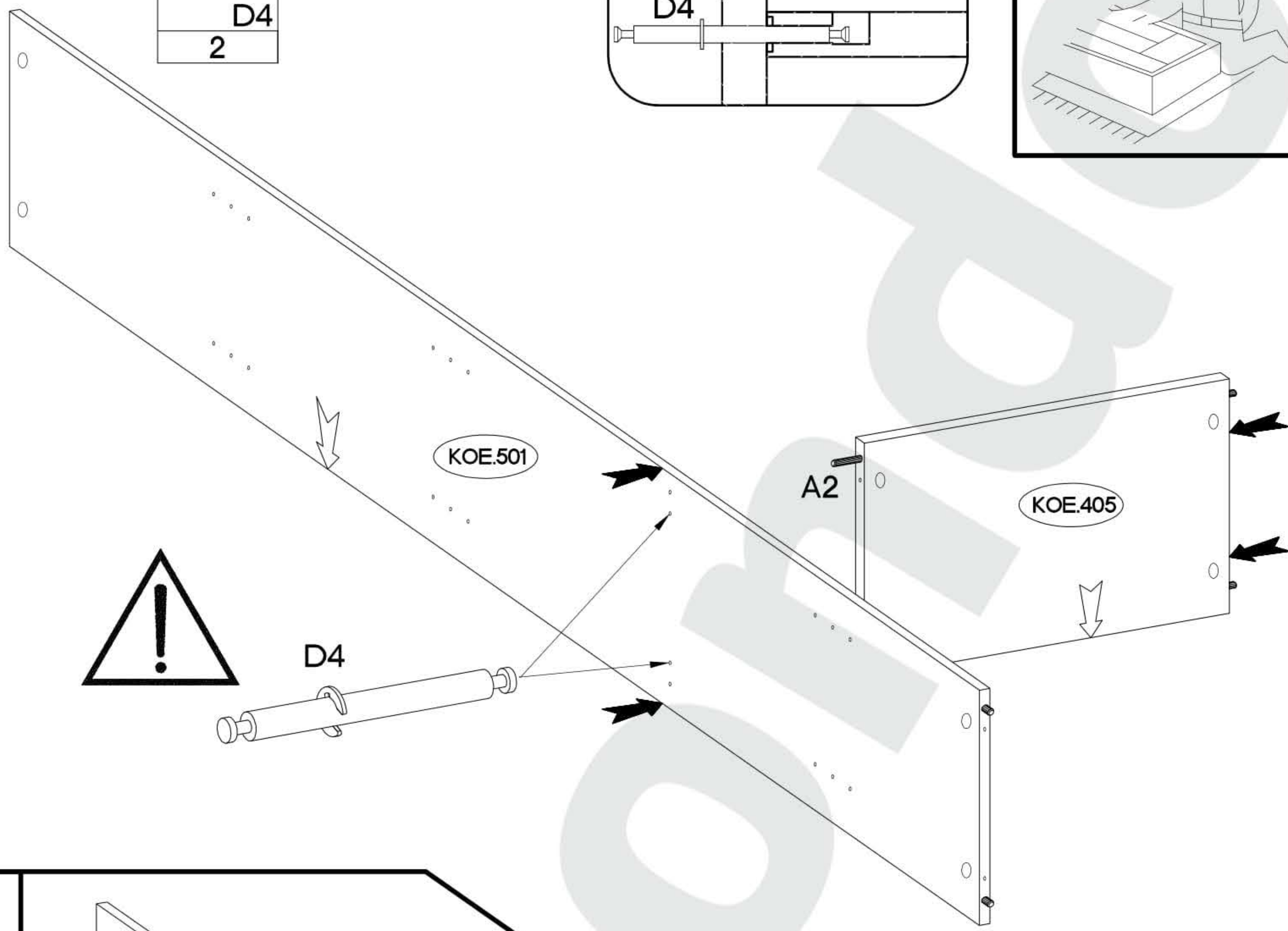
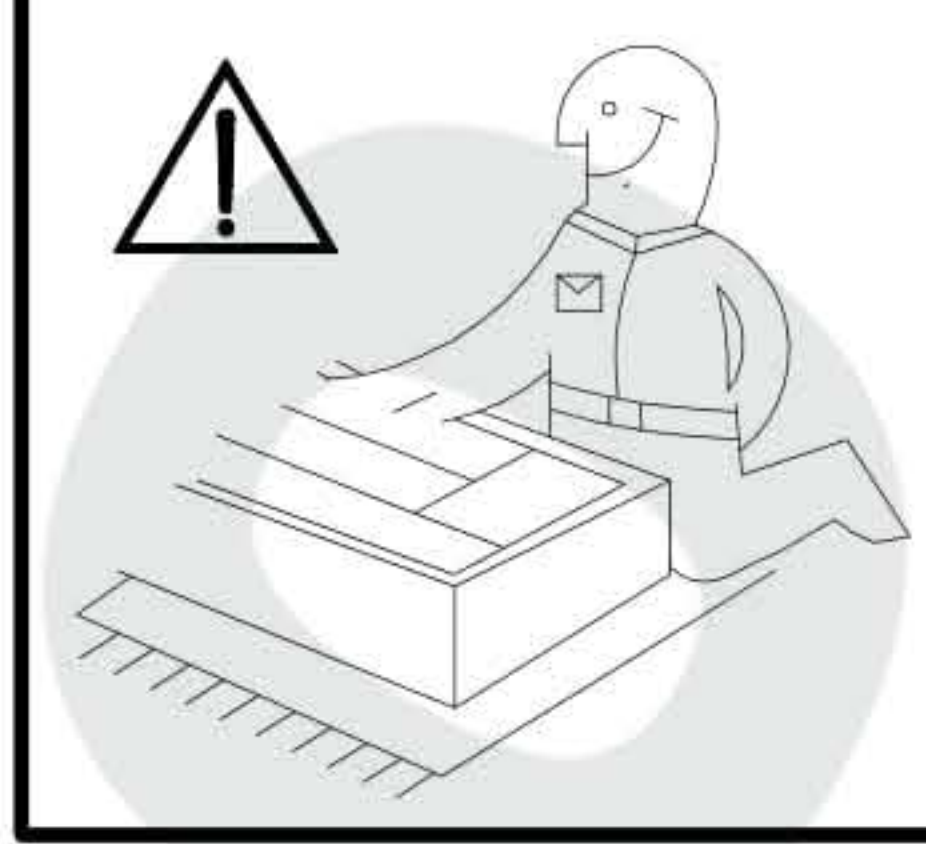
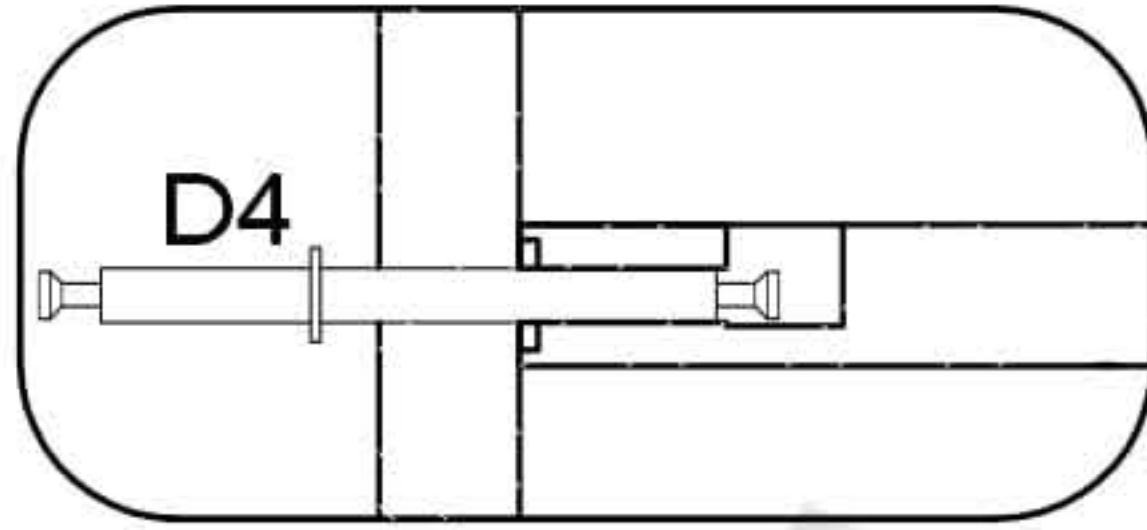
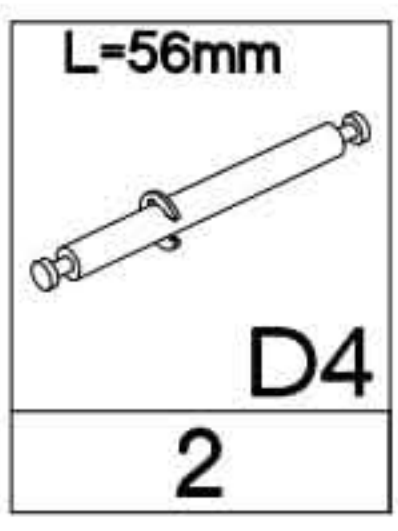
$\varnothing 8 \times 30 \text{mm}$  A 4	$\varnothing 15 / 12 \text{mm}$  C 4	$L = 20 \text{mm}$  D2 12
--	--	---



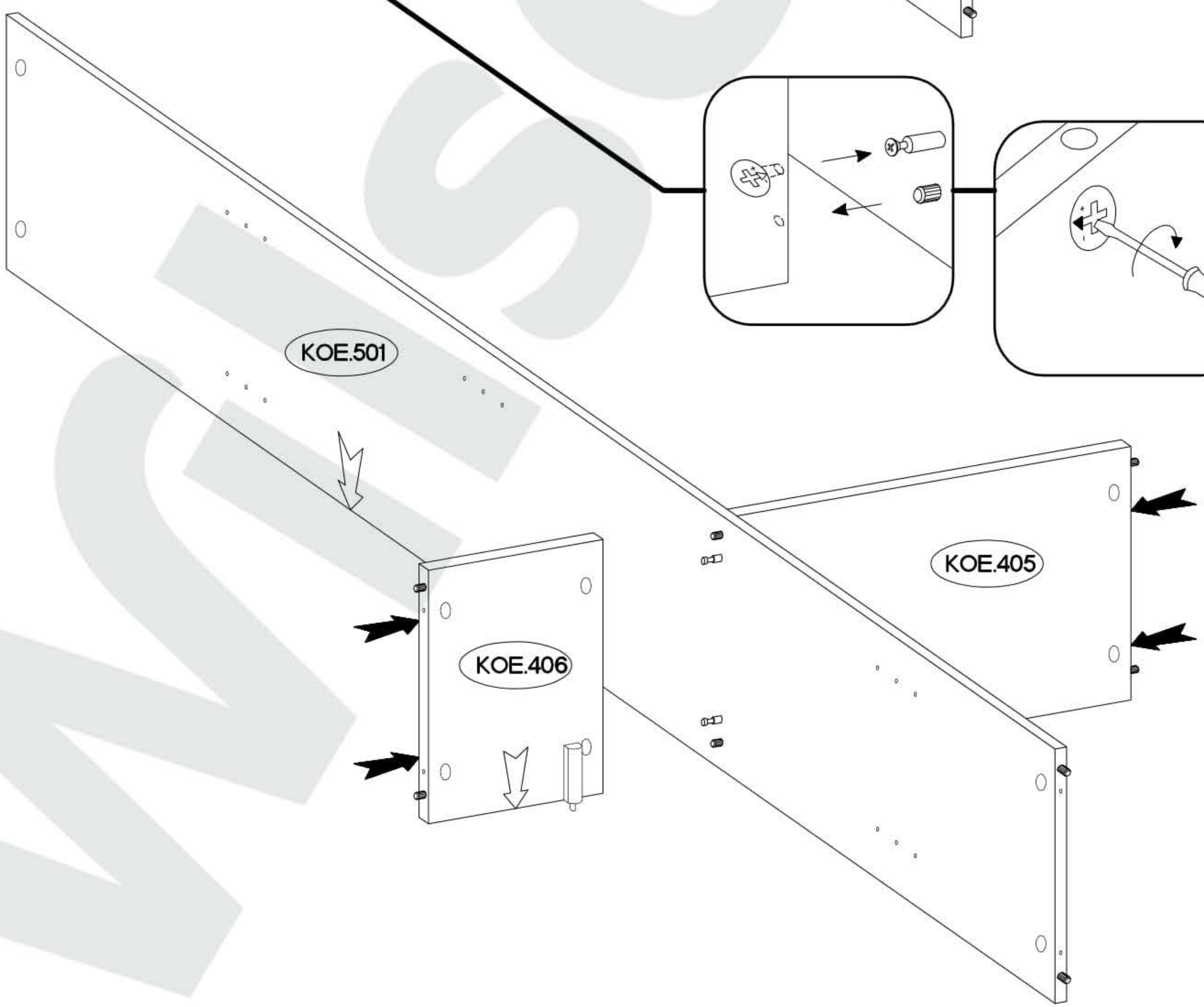
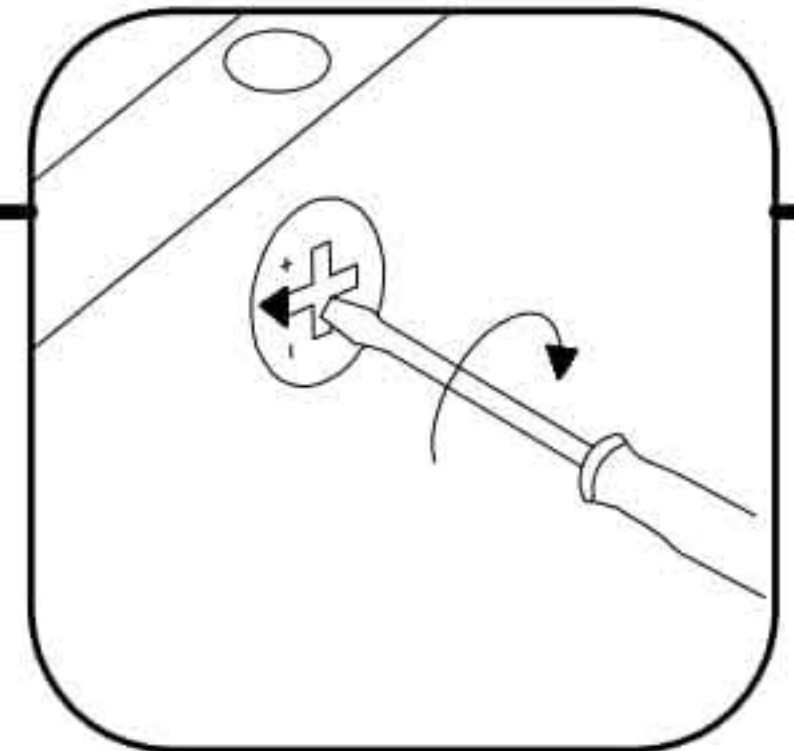
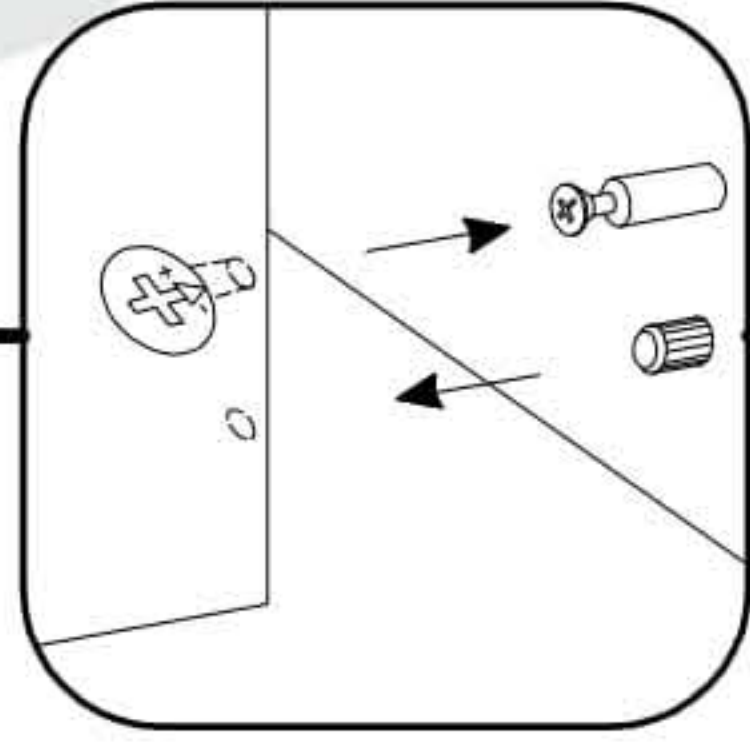
$\varnothing 8 \times 30 \text{mm}$ A 12	$\varnothing 8 \times 60 \text{mm}$ A2 2	$\varnothing 15/12 \text{mm}$ C 16	$L=20 \text{mm}$ D2 4	 L33 3	$\varnothing 3.5 \times 13 \text{mm}$ P5 6
---	---	---	--	---------------------	---



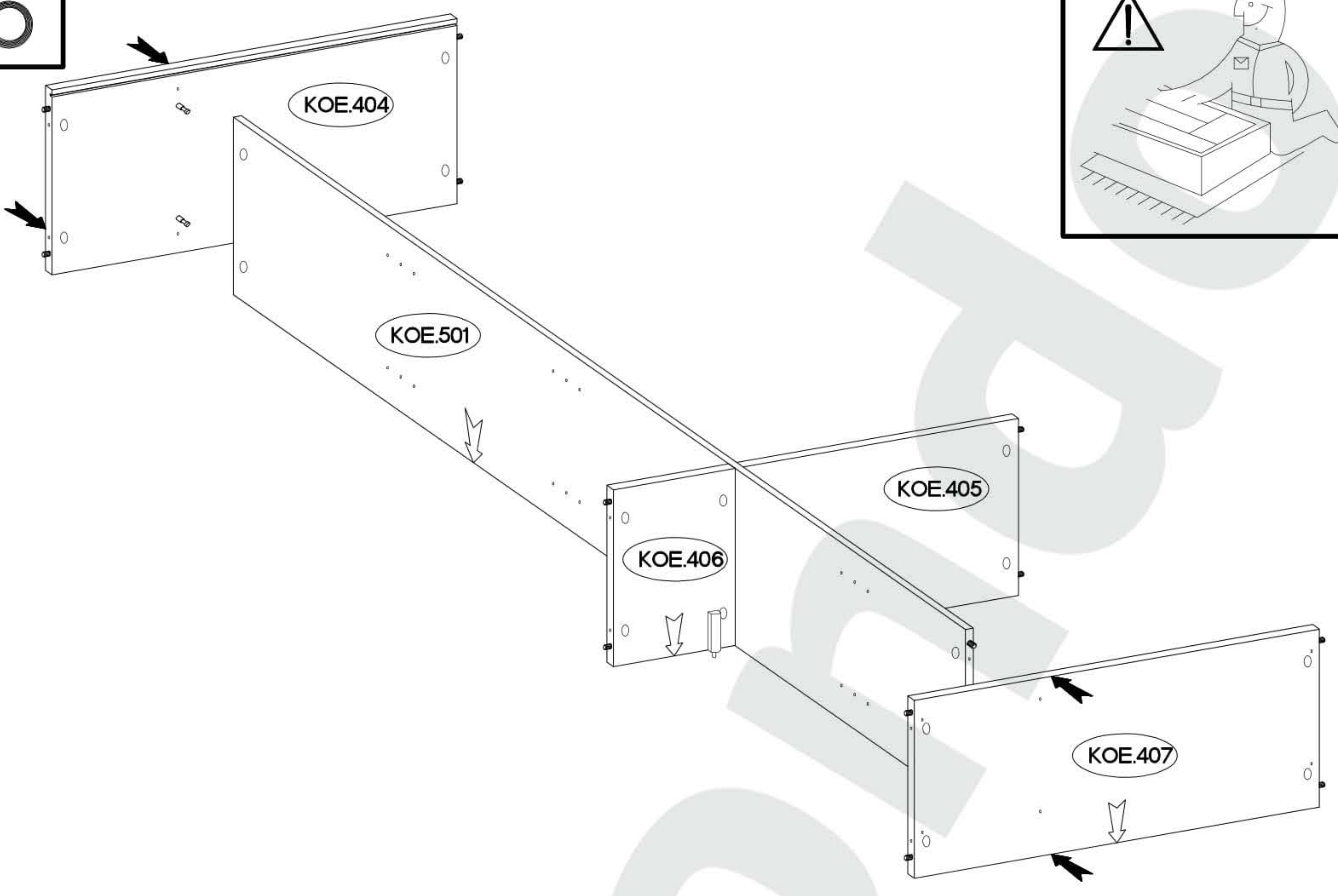
3



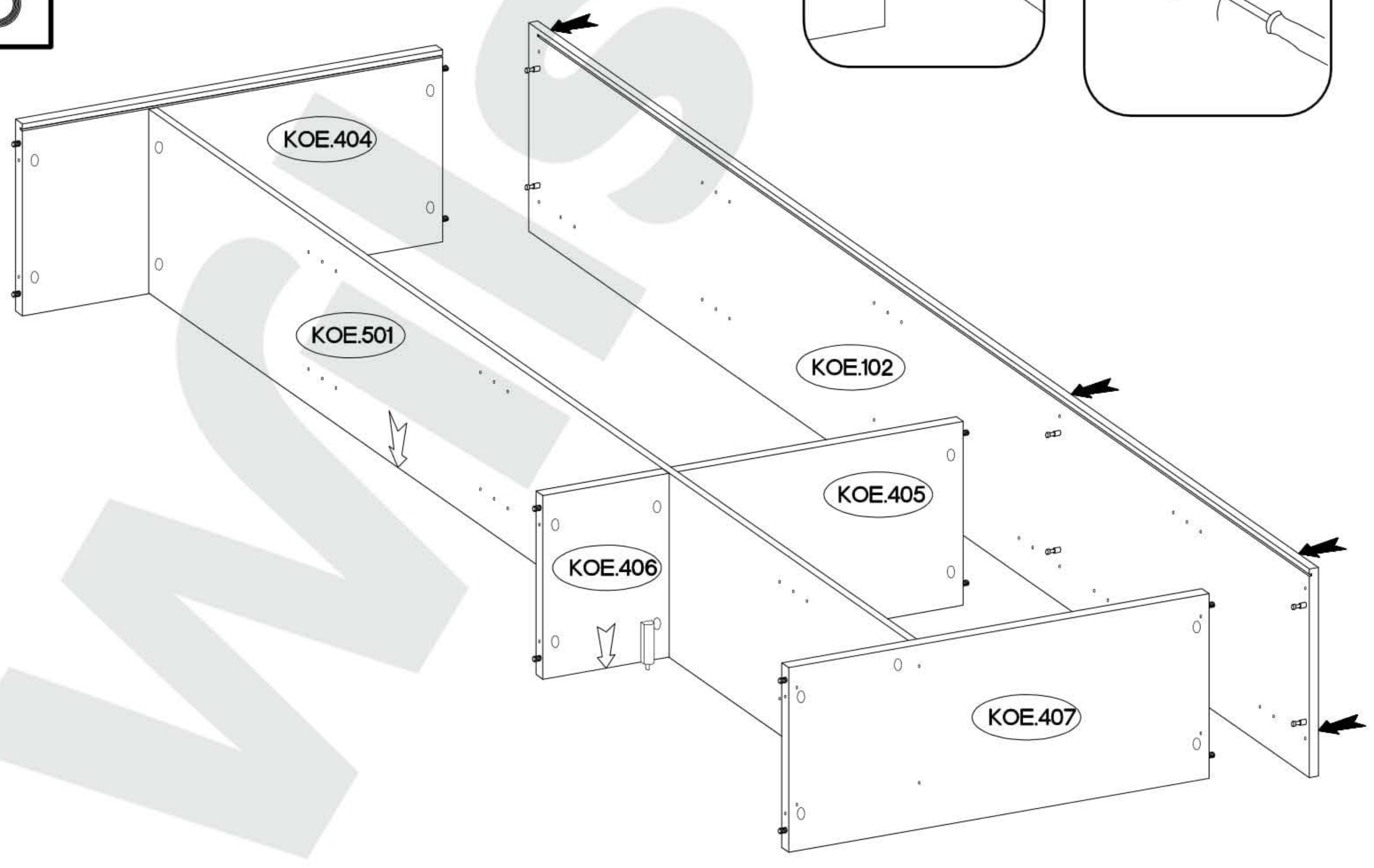
4



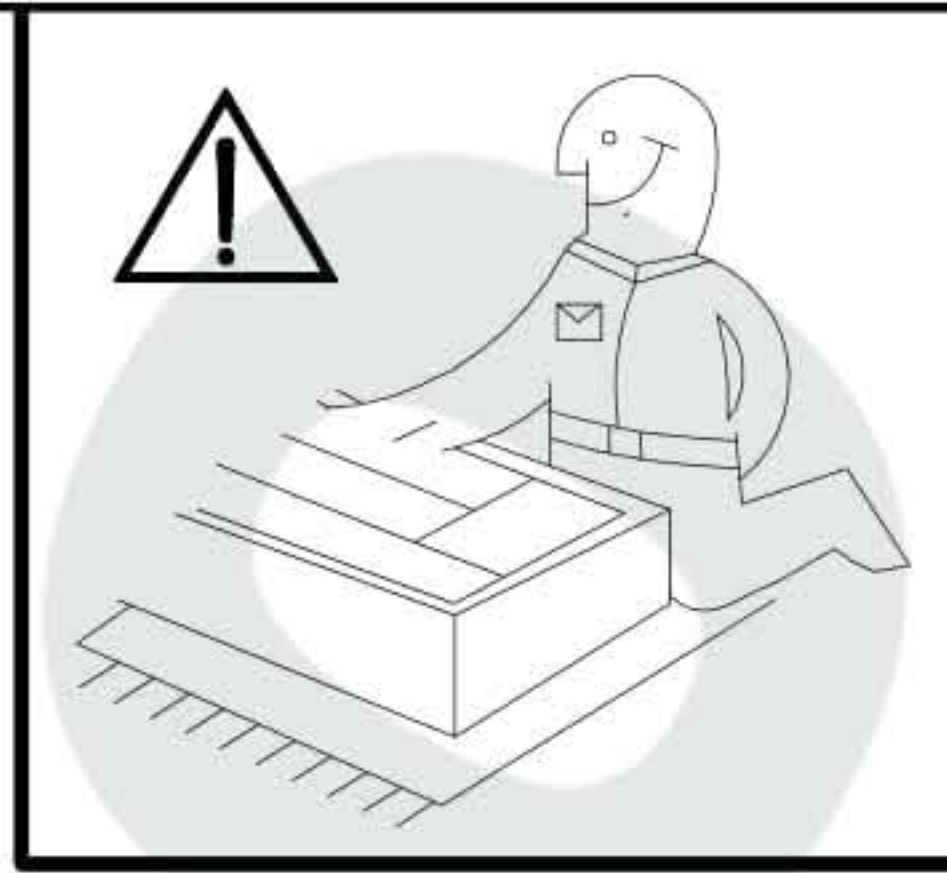
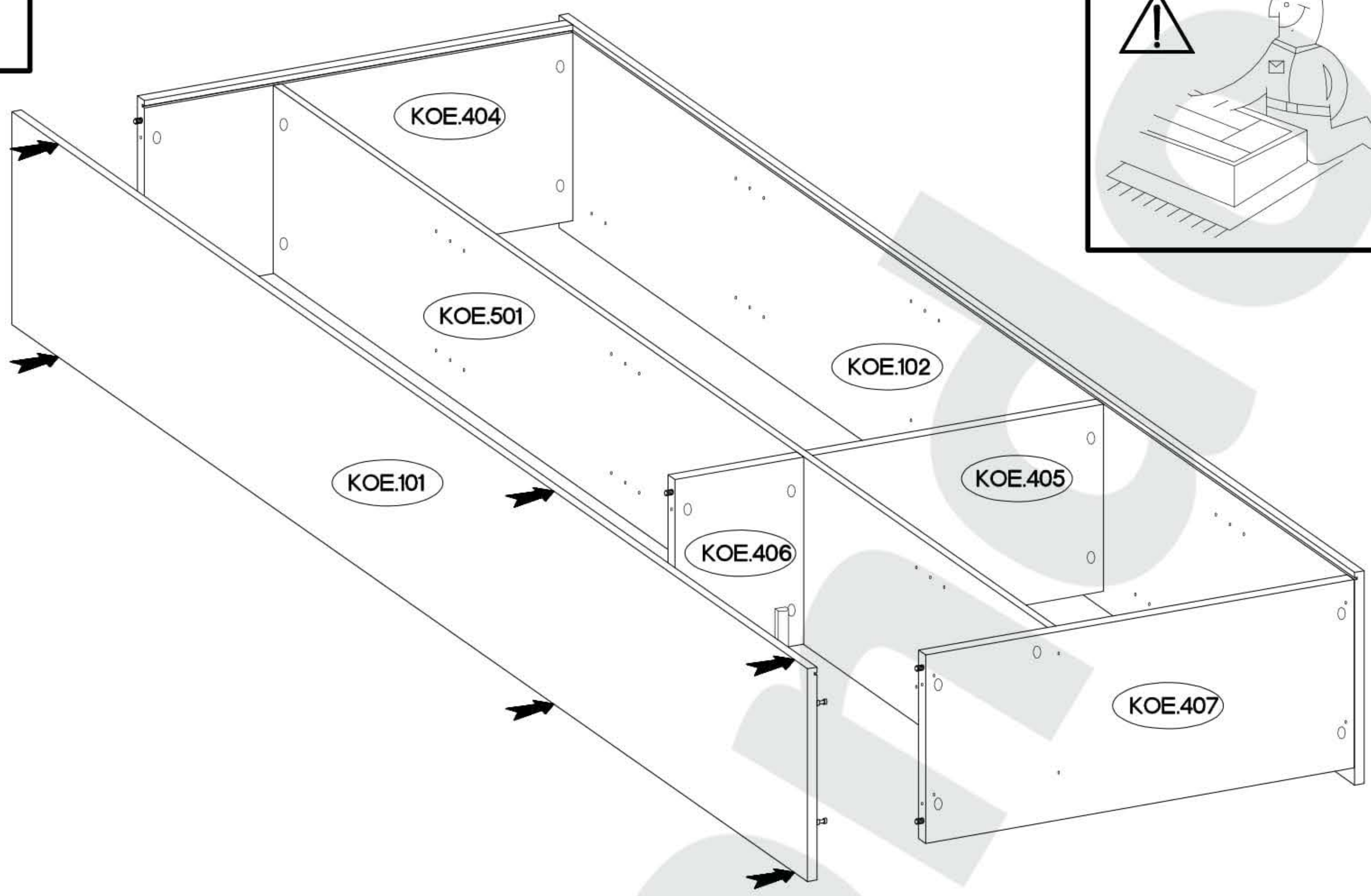
5



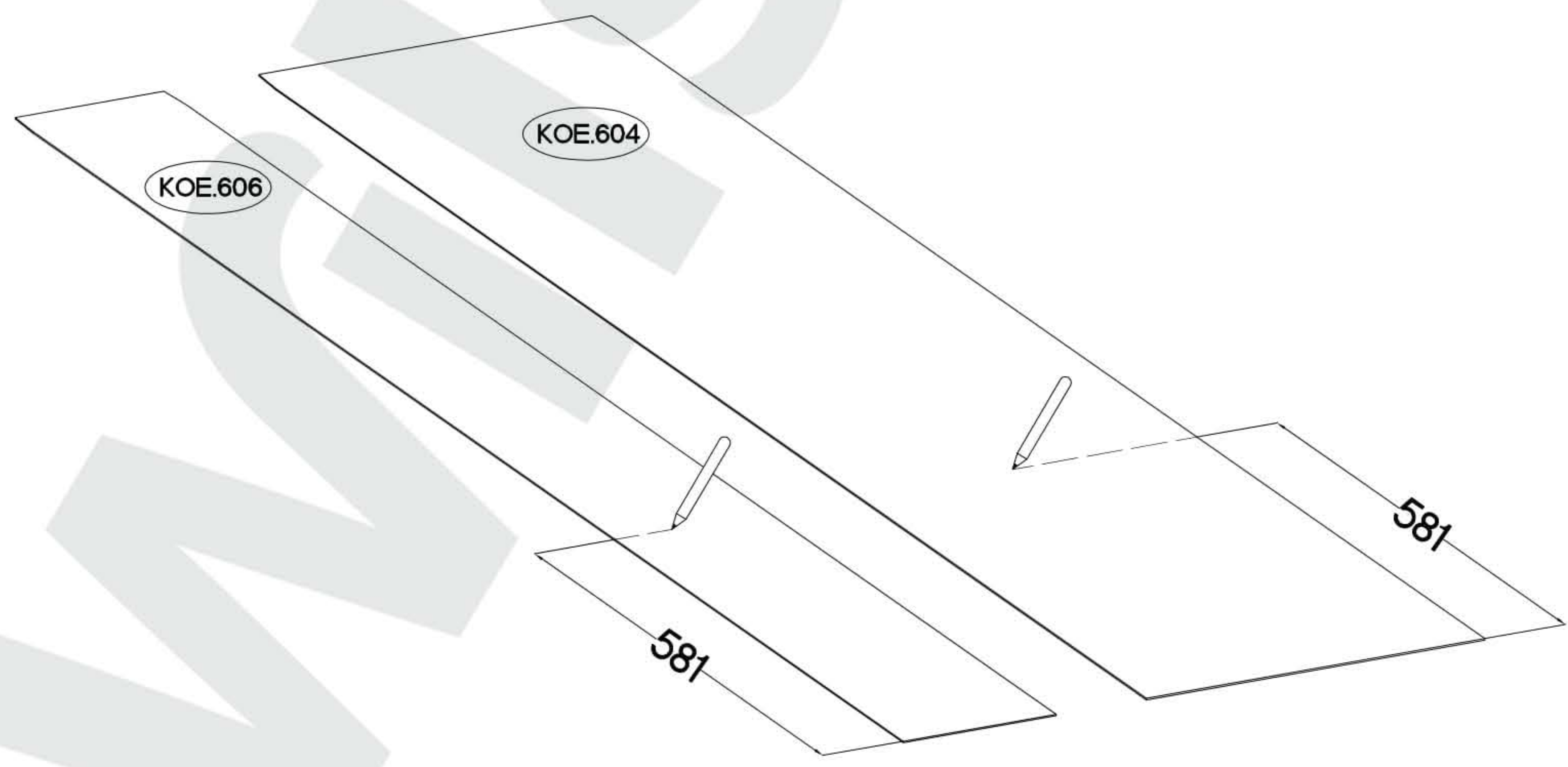
6



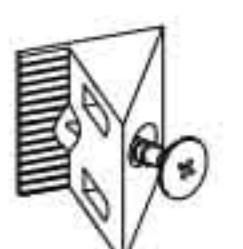


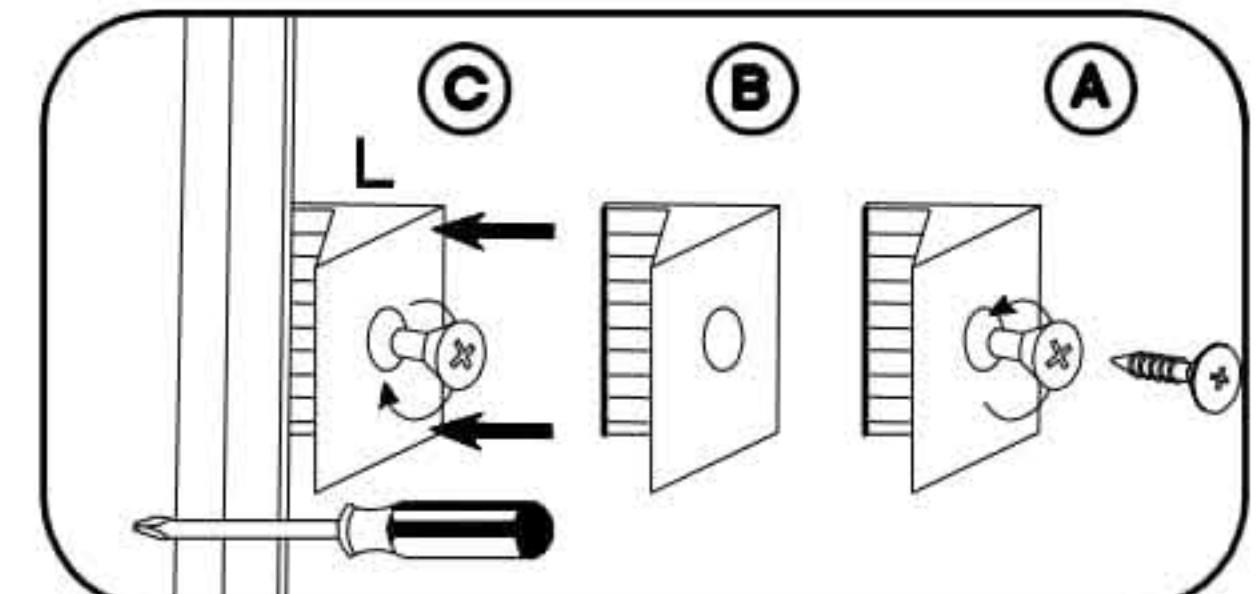
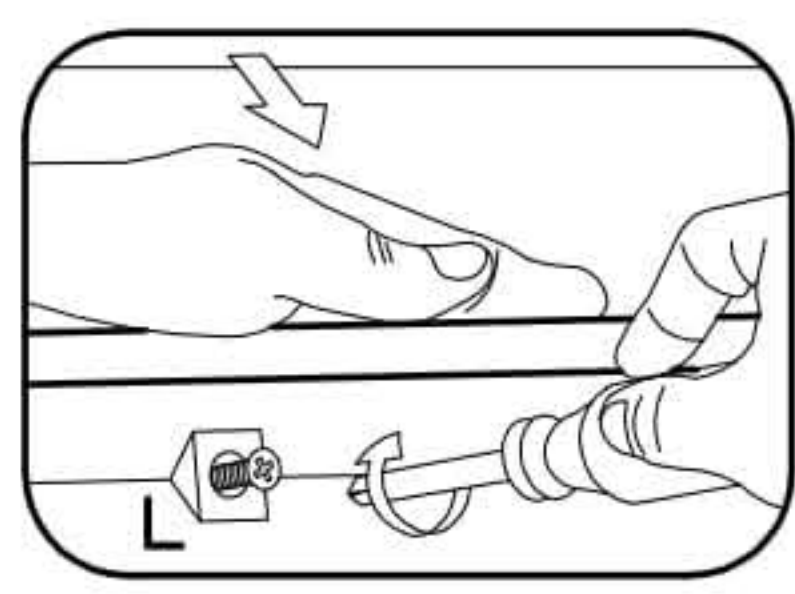
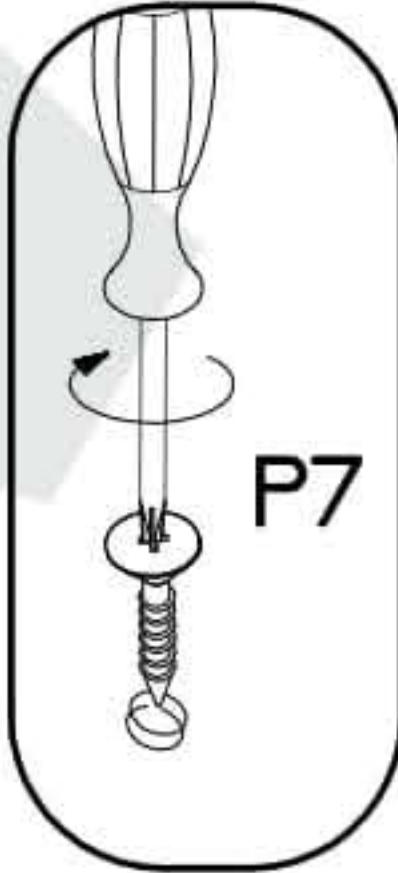
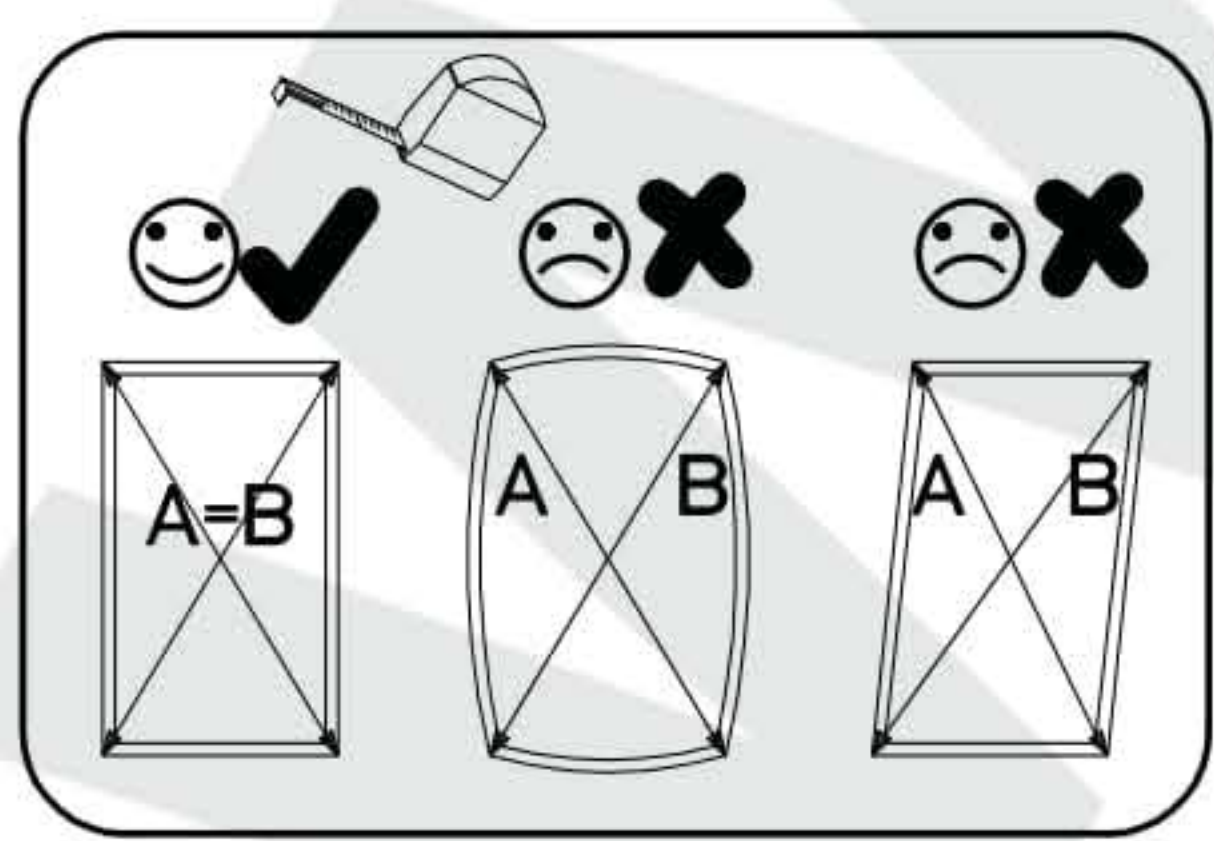
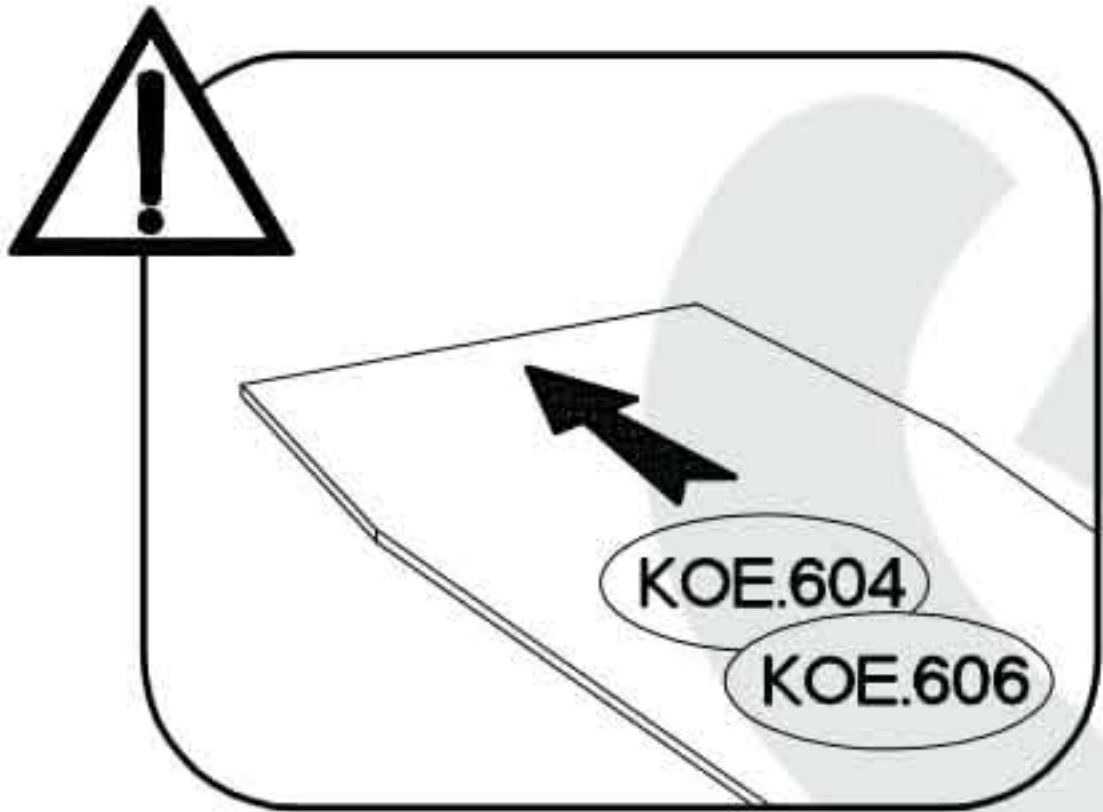
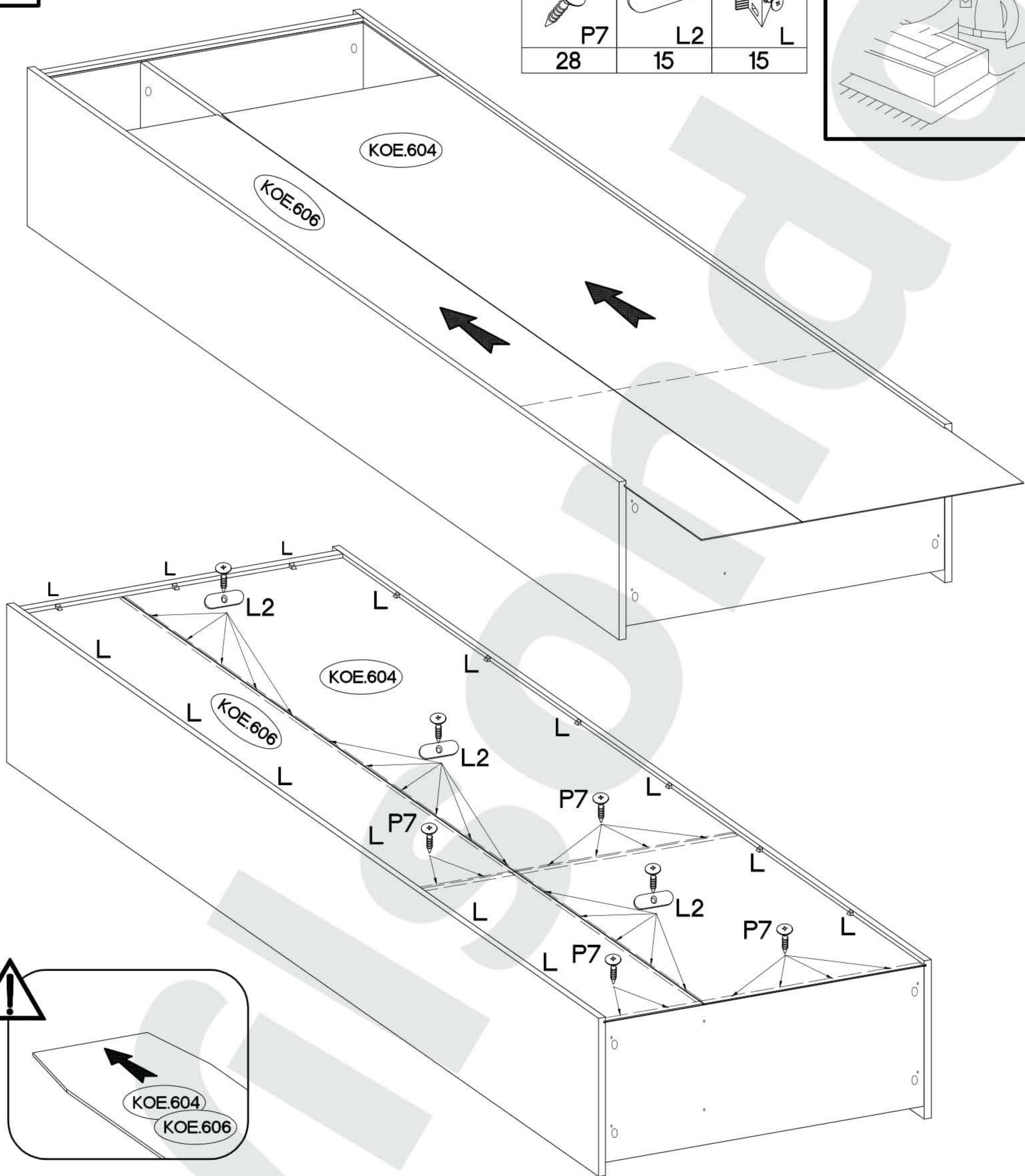
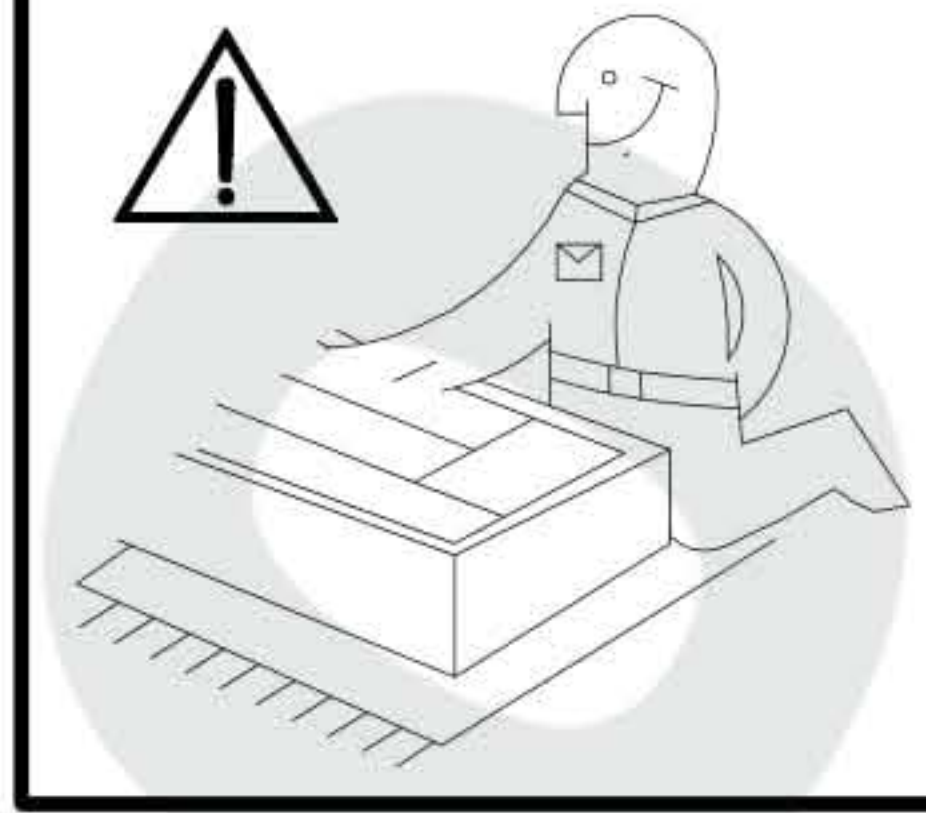
7






8

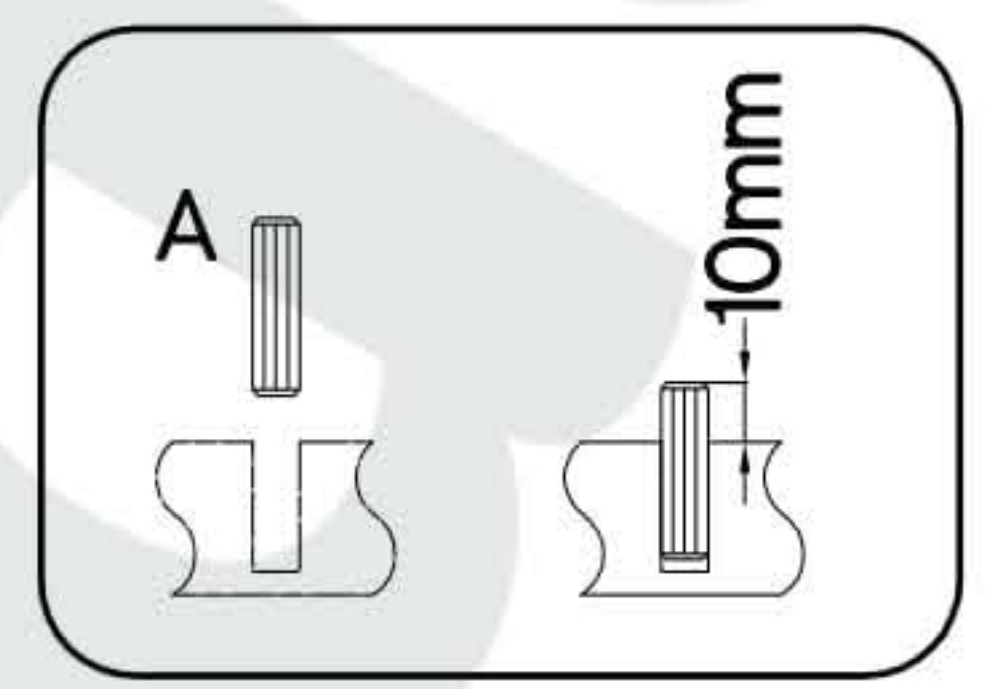
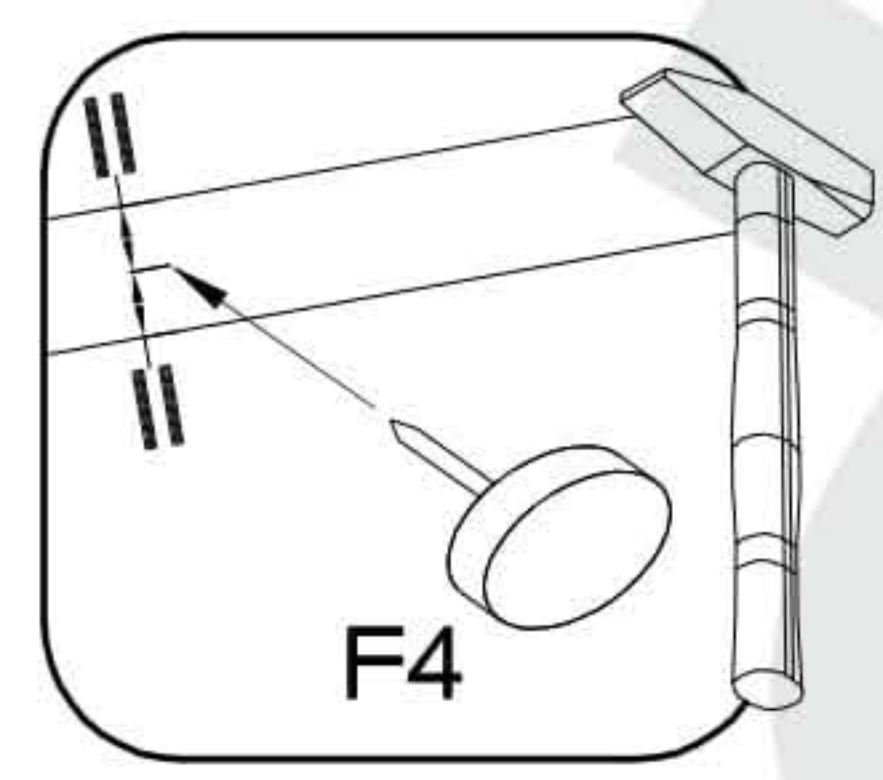
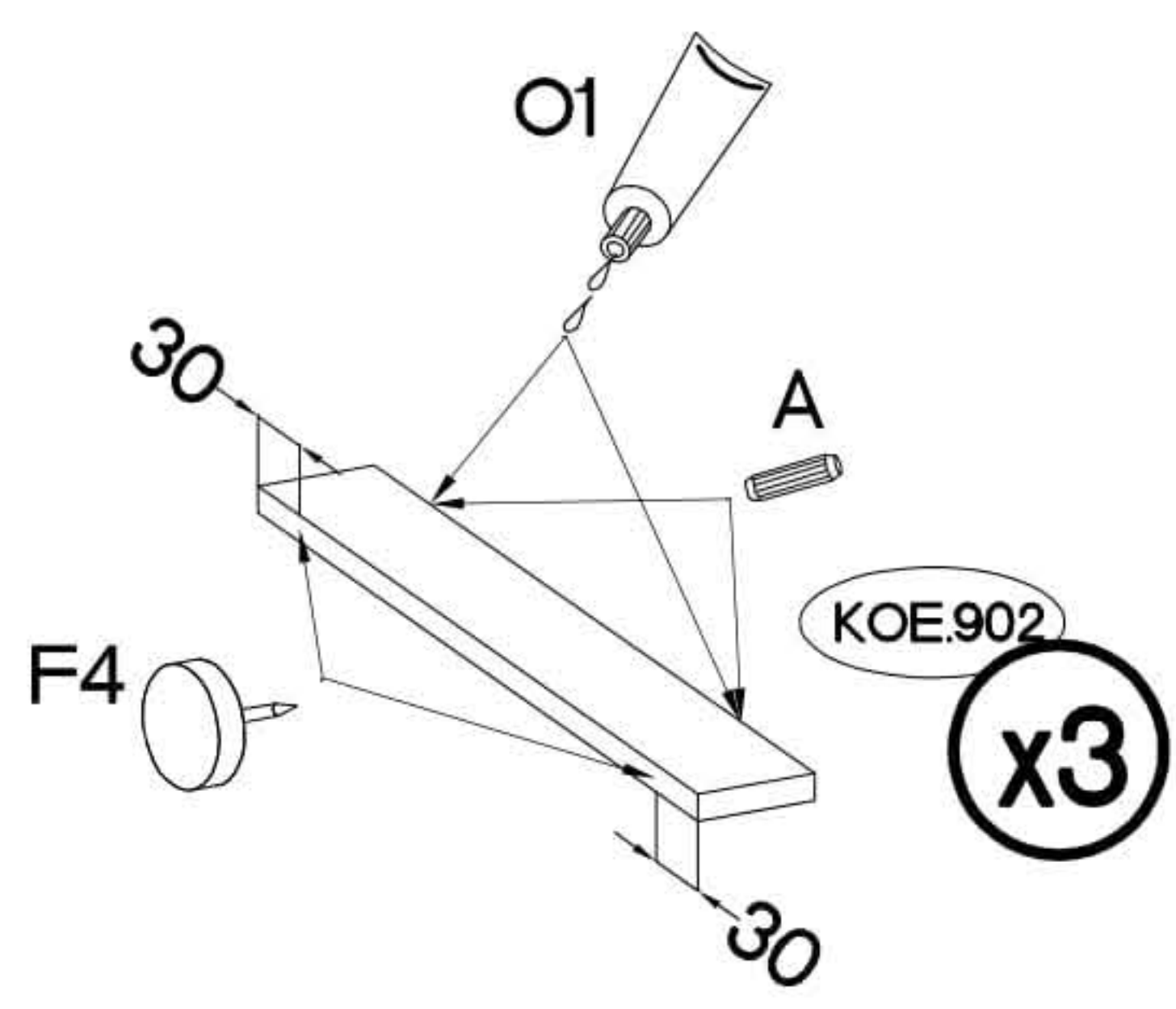
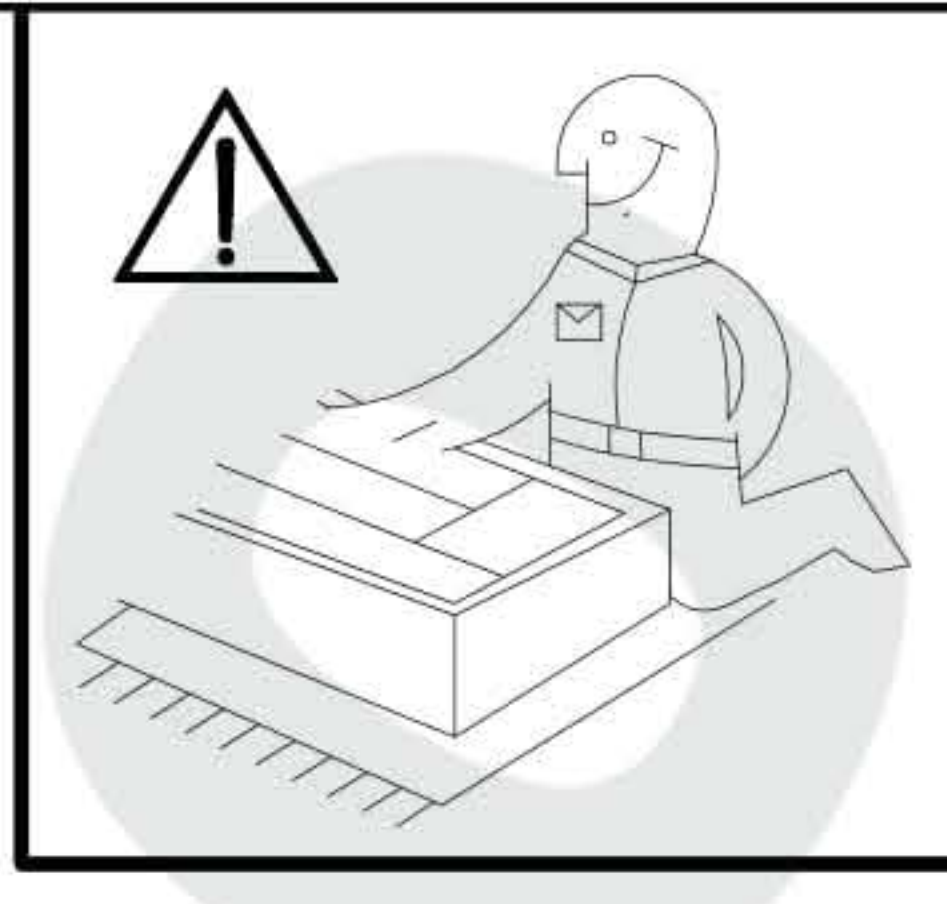


 P7 28	 L2 15	 L 15
--	---	--

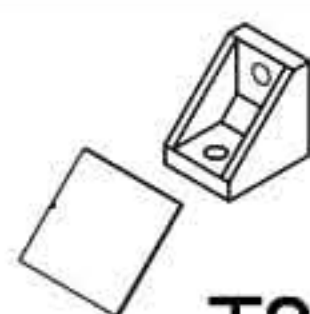



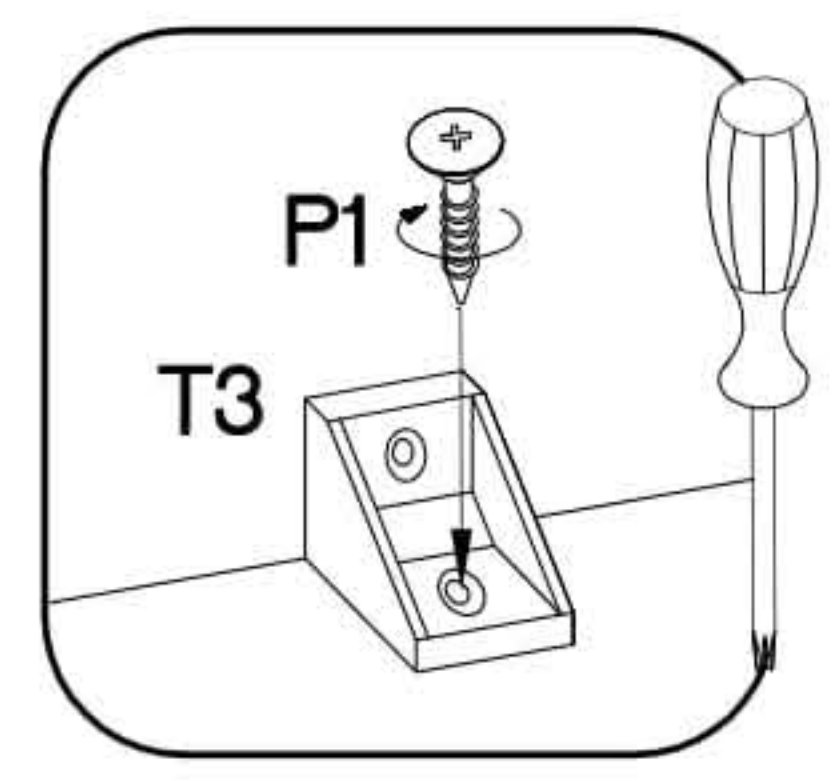
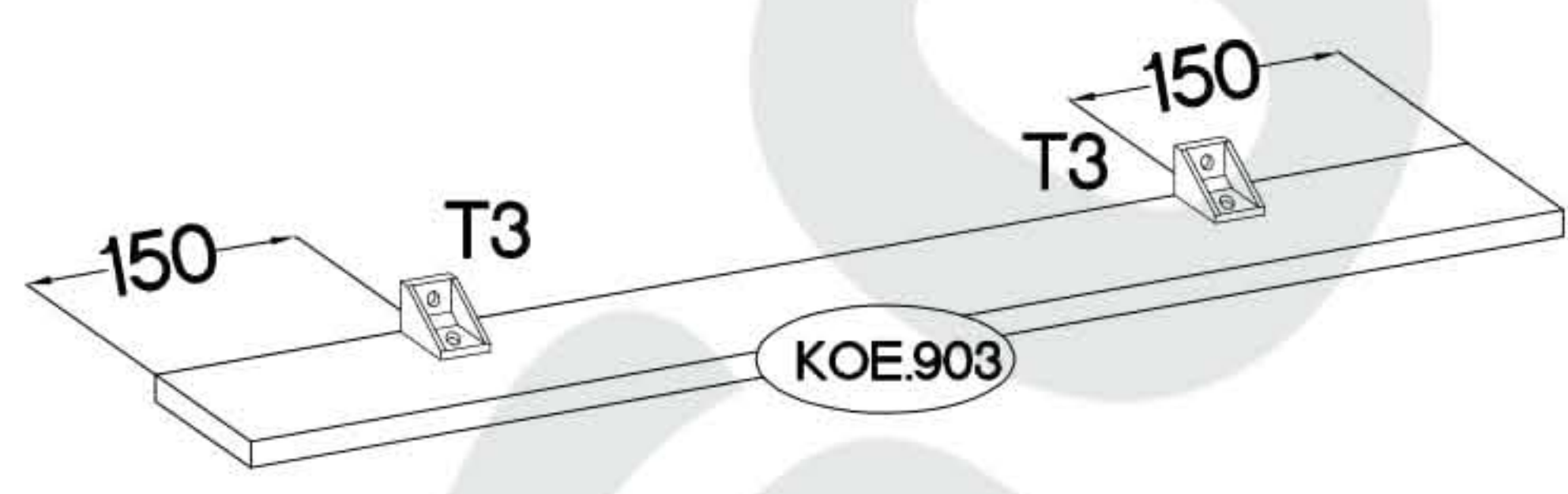
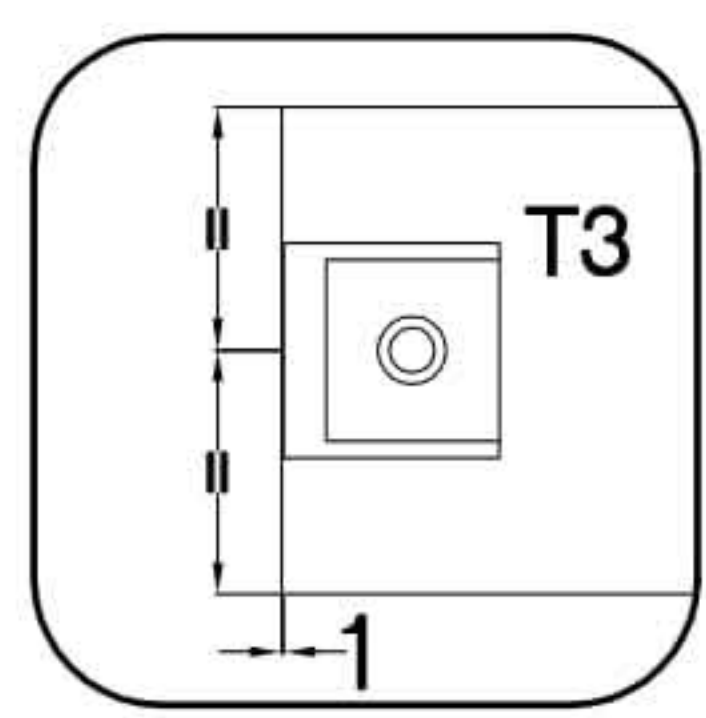
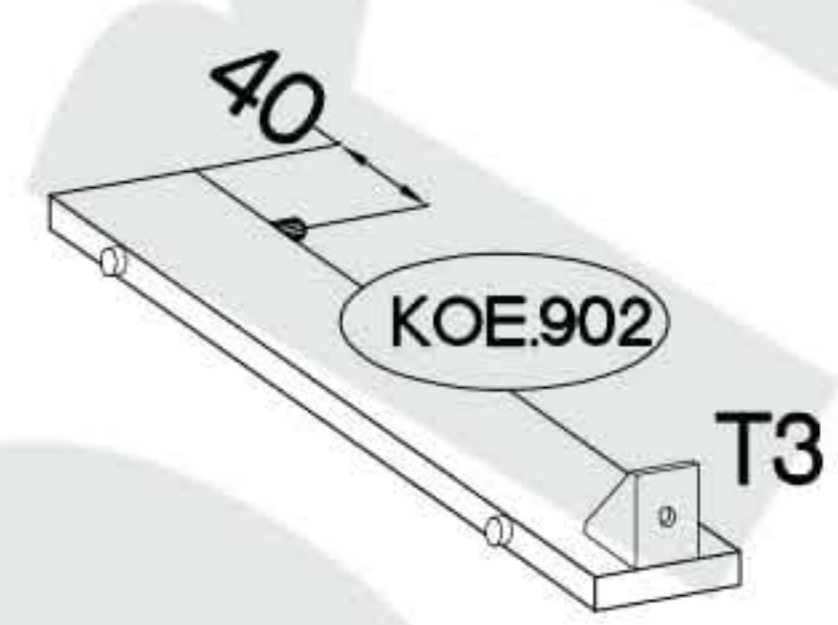
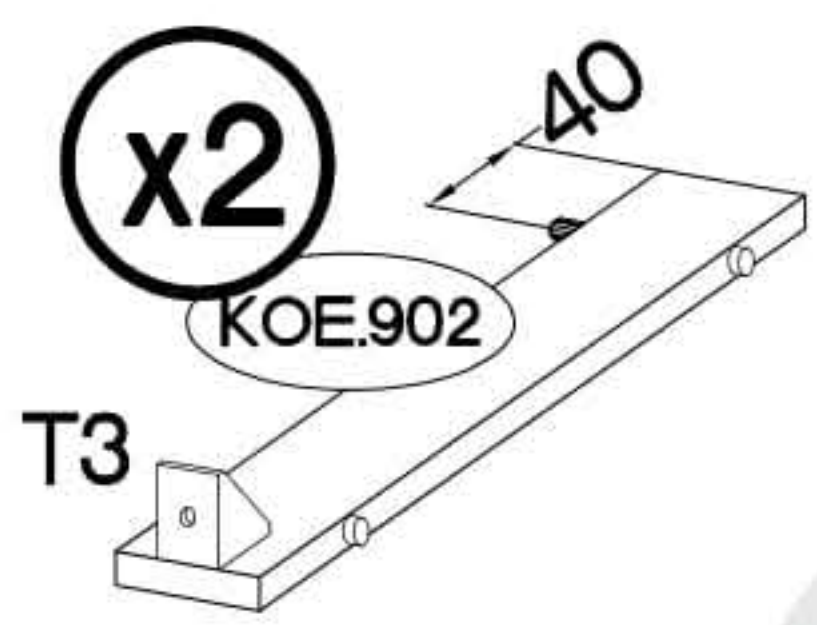
10

±15x5mm  F4 6	 O1 1	±8x30mm  A 6
--	---	---




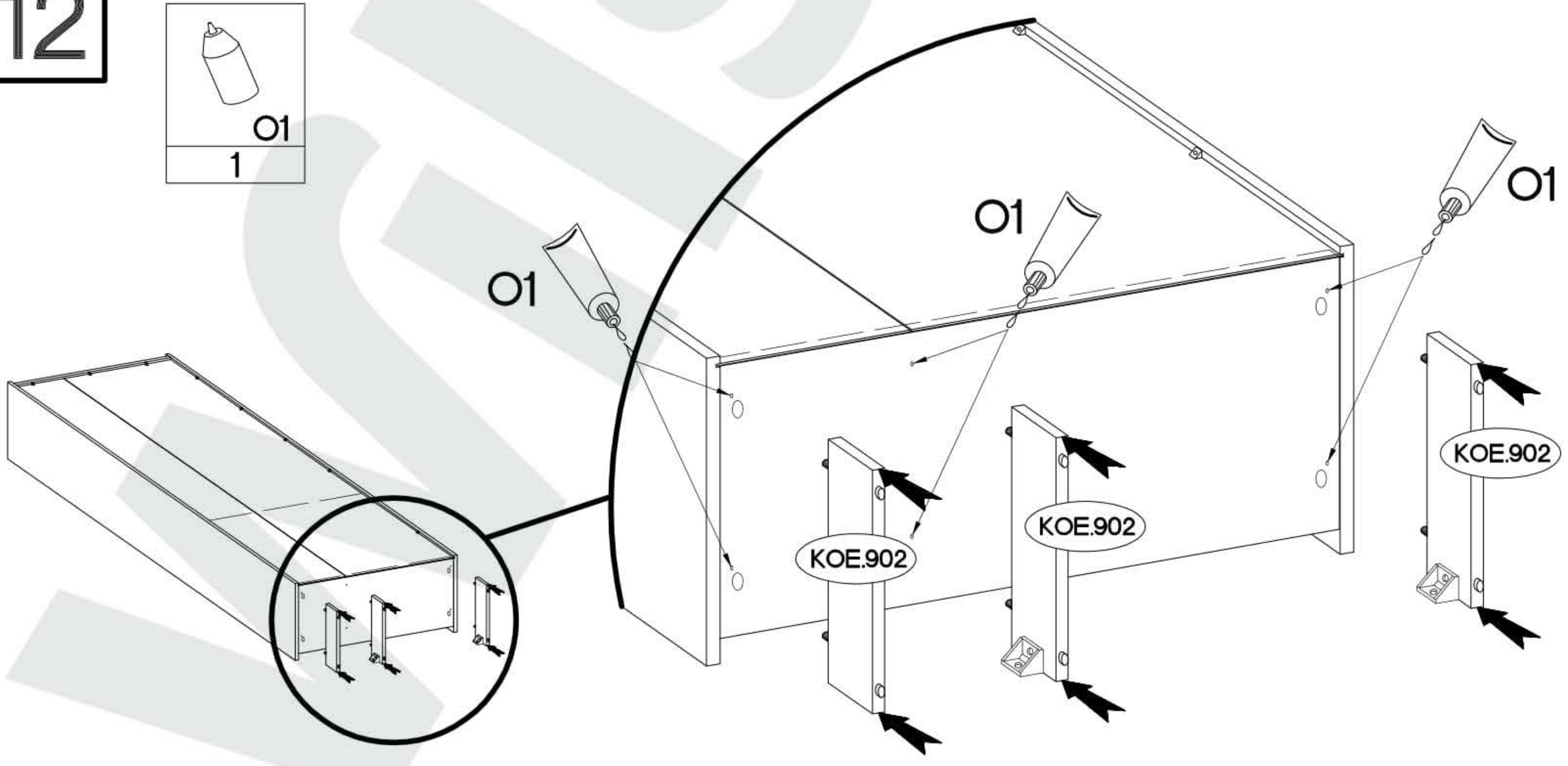
11

 T3 5	±4.0x16mm  P1 5
---	--

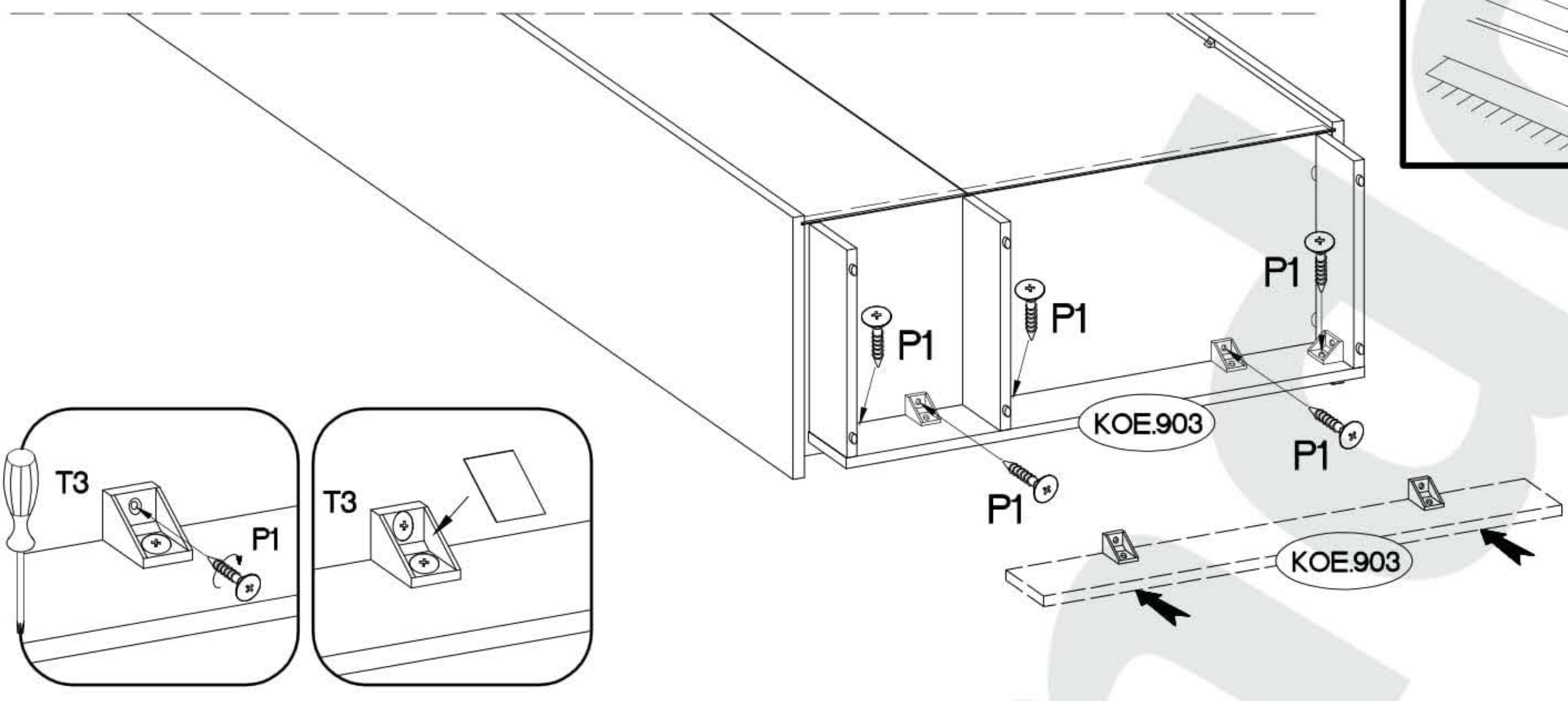
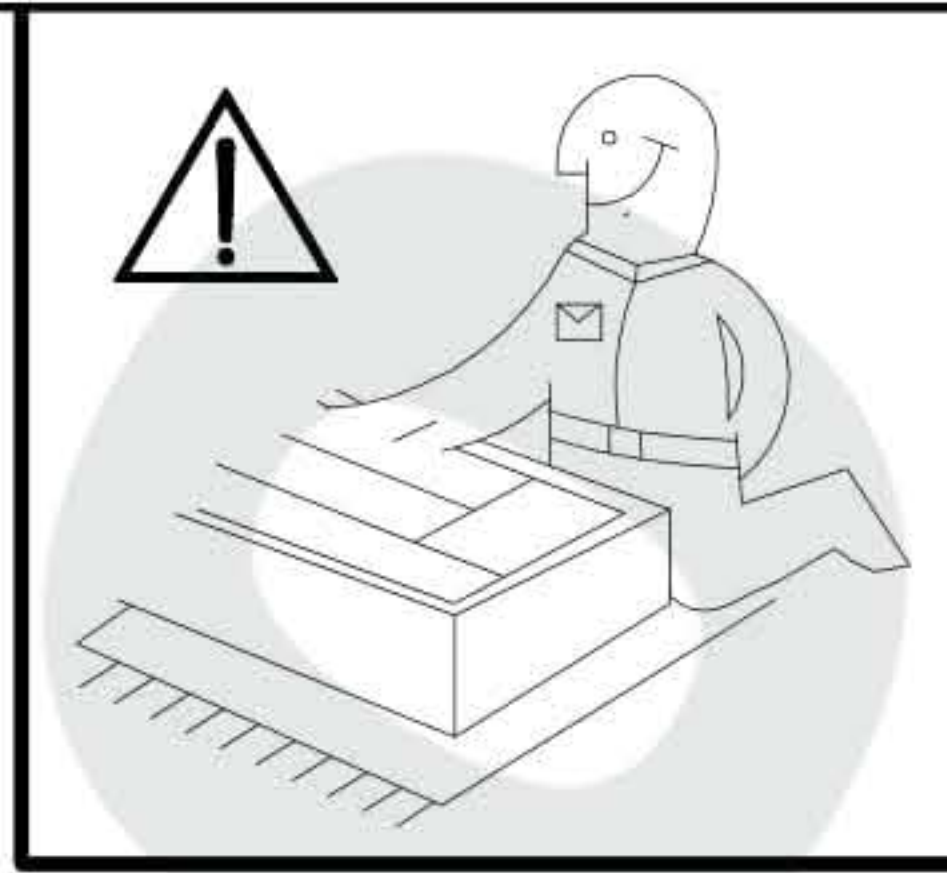



12

 O1 1
--

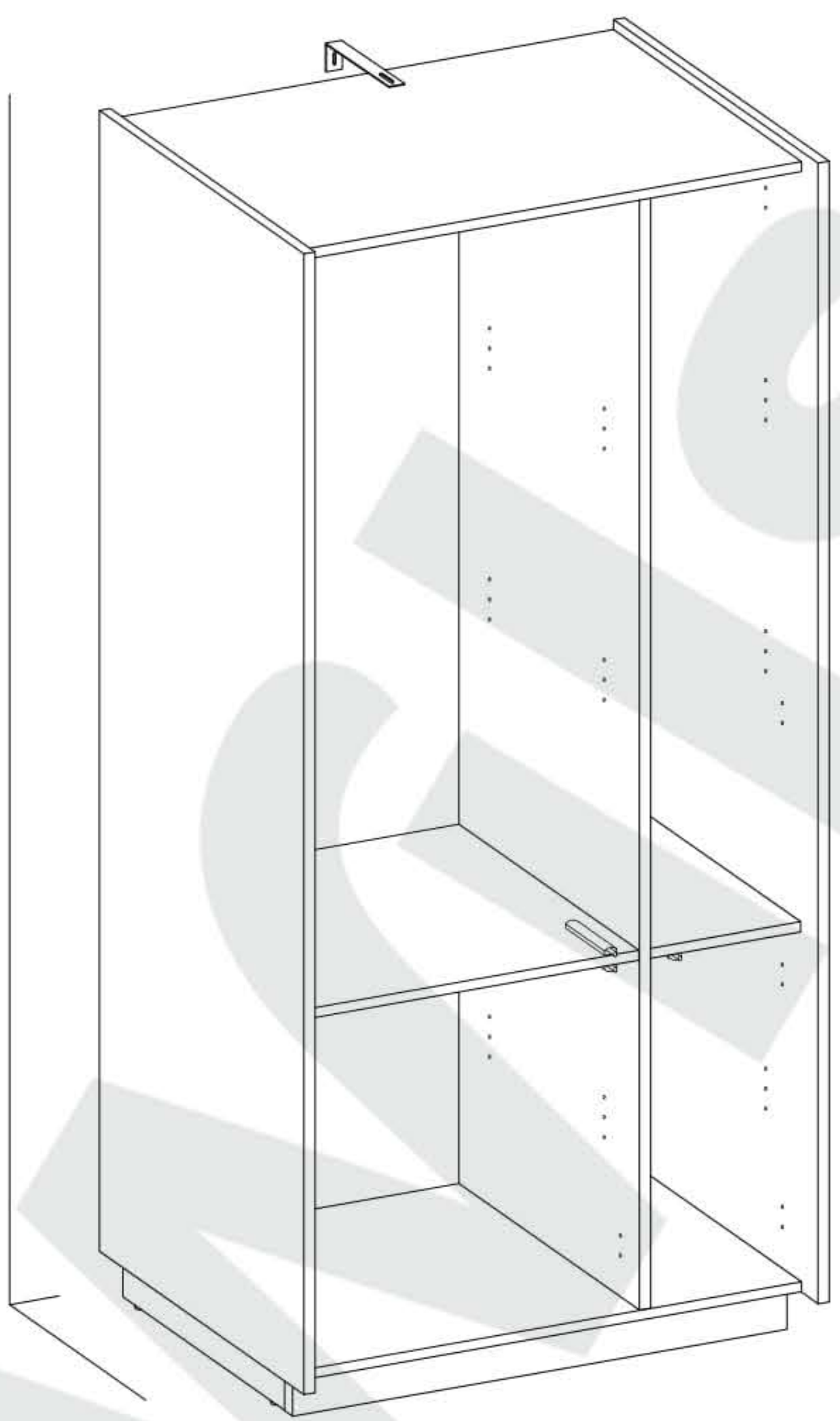


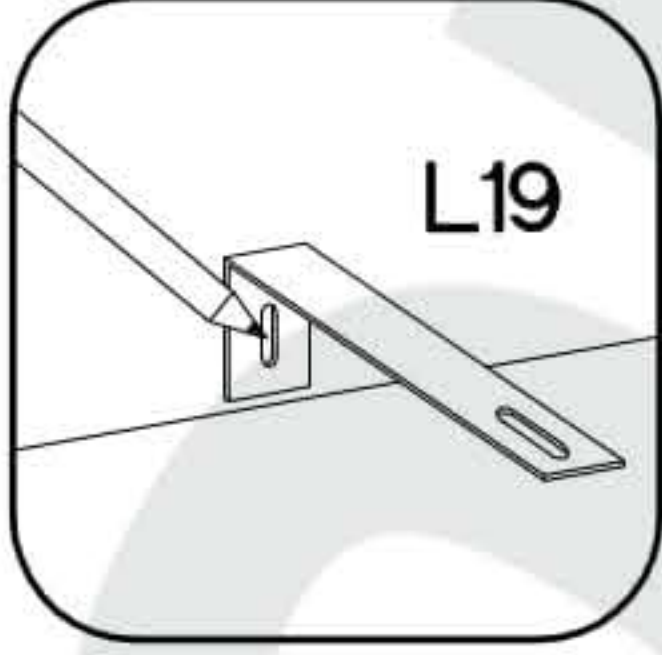
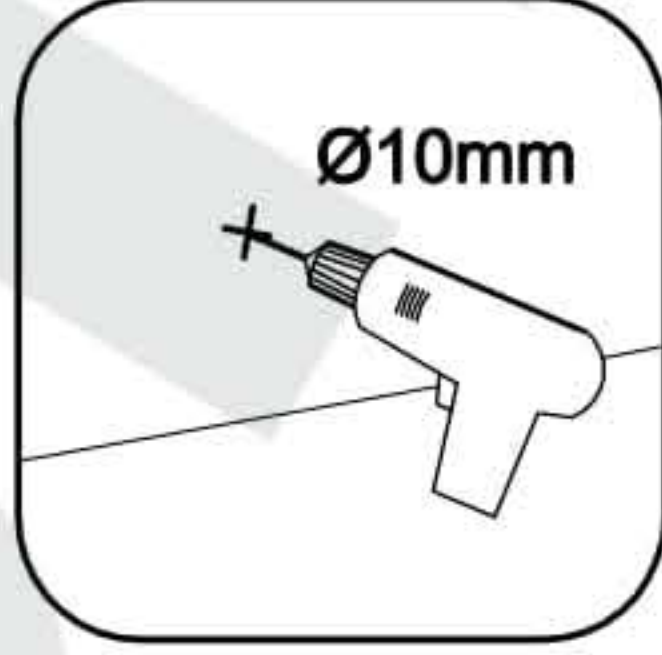

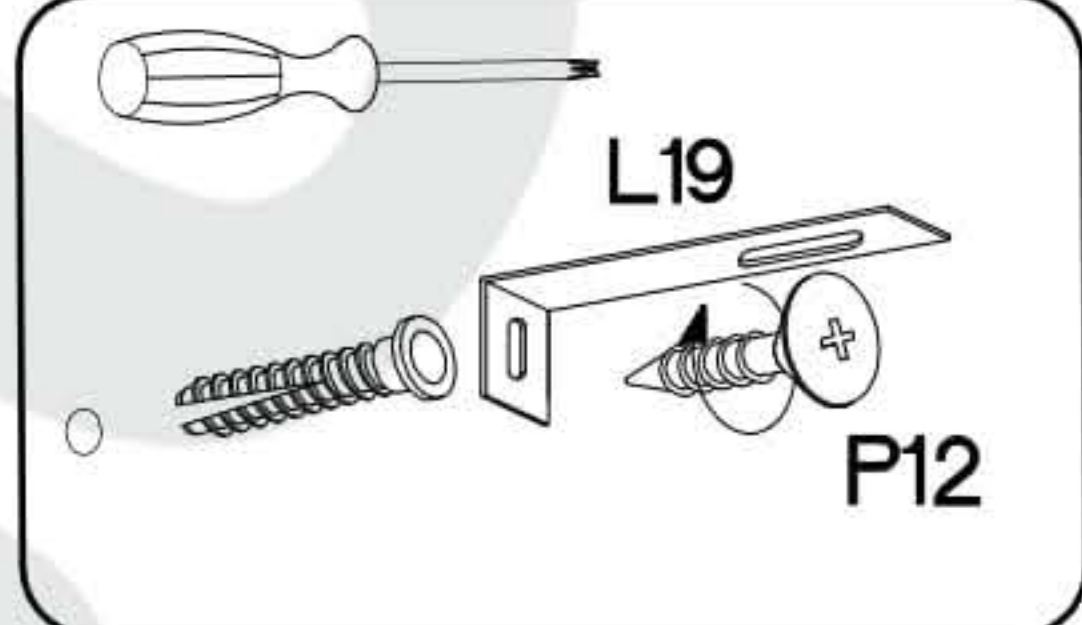
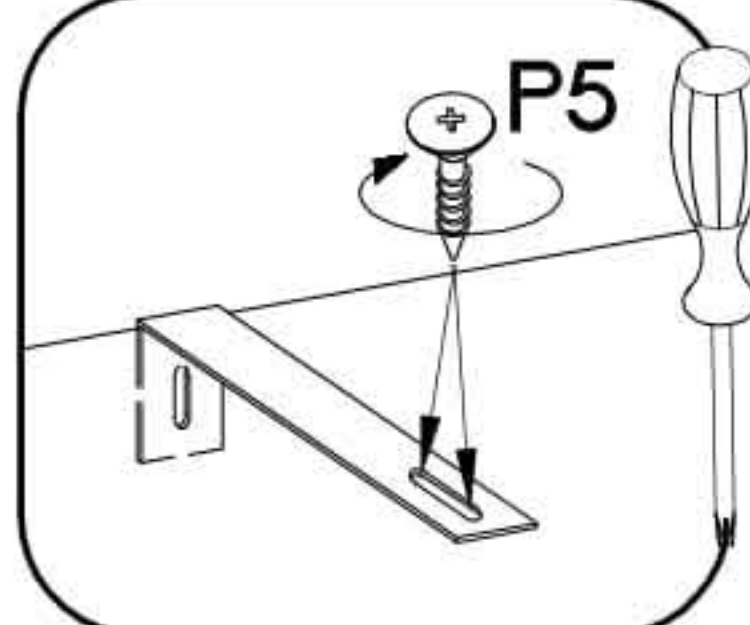
13

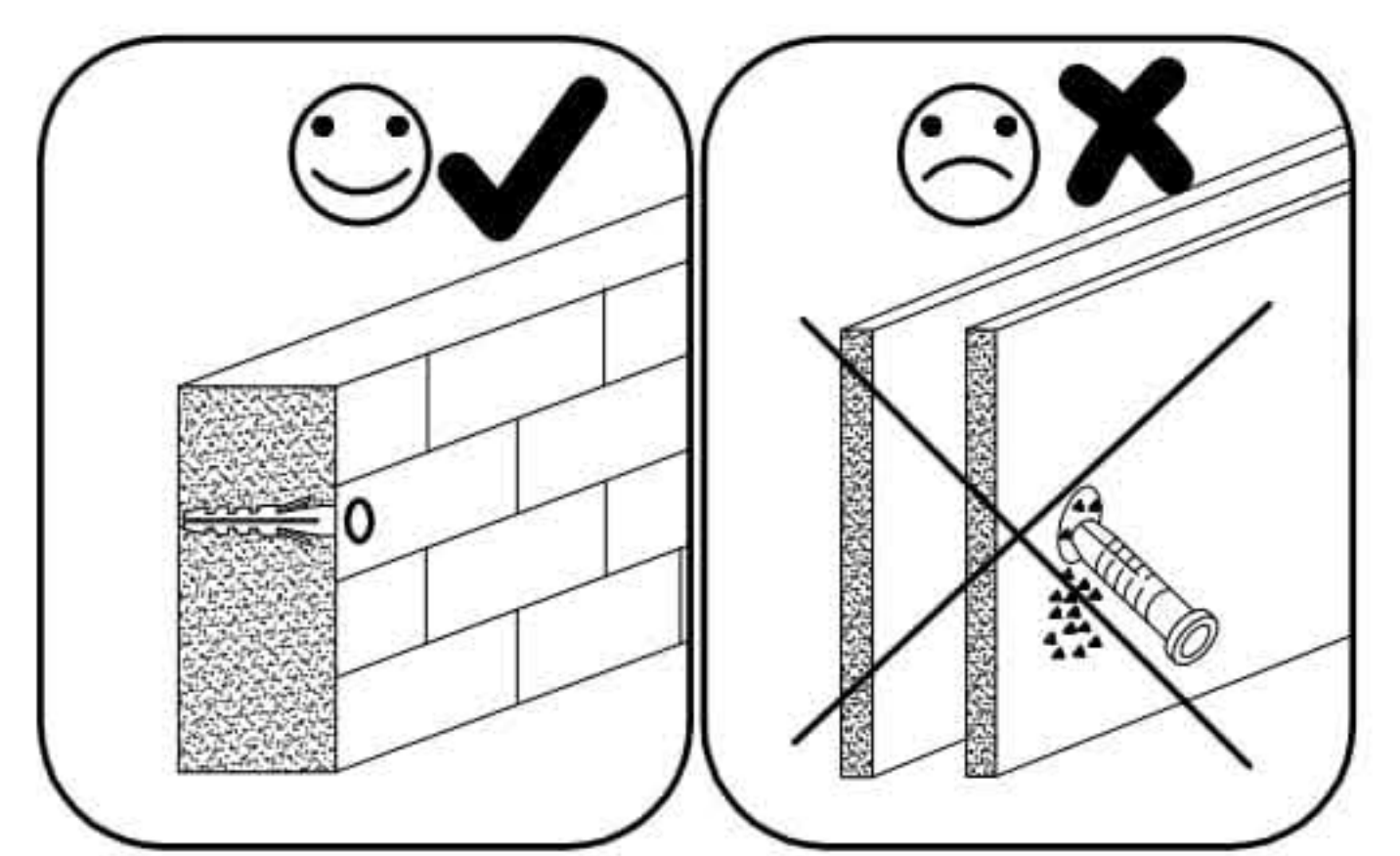






$\pm 4.0 \times 16 \text{mm}$  P1 5



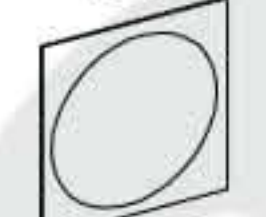
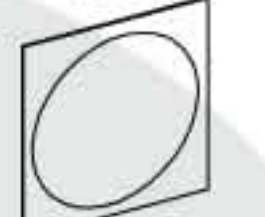
14

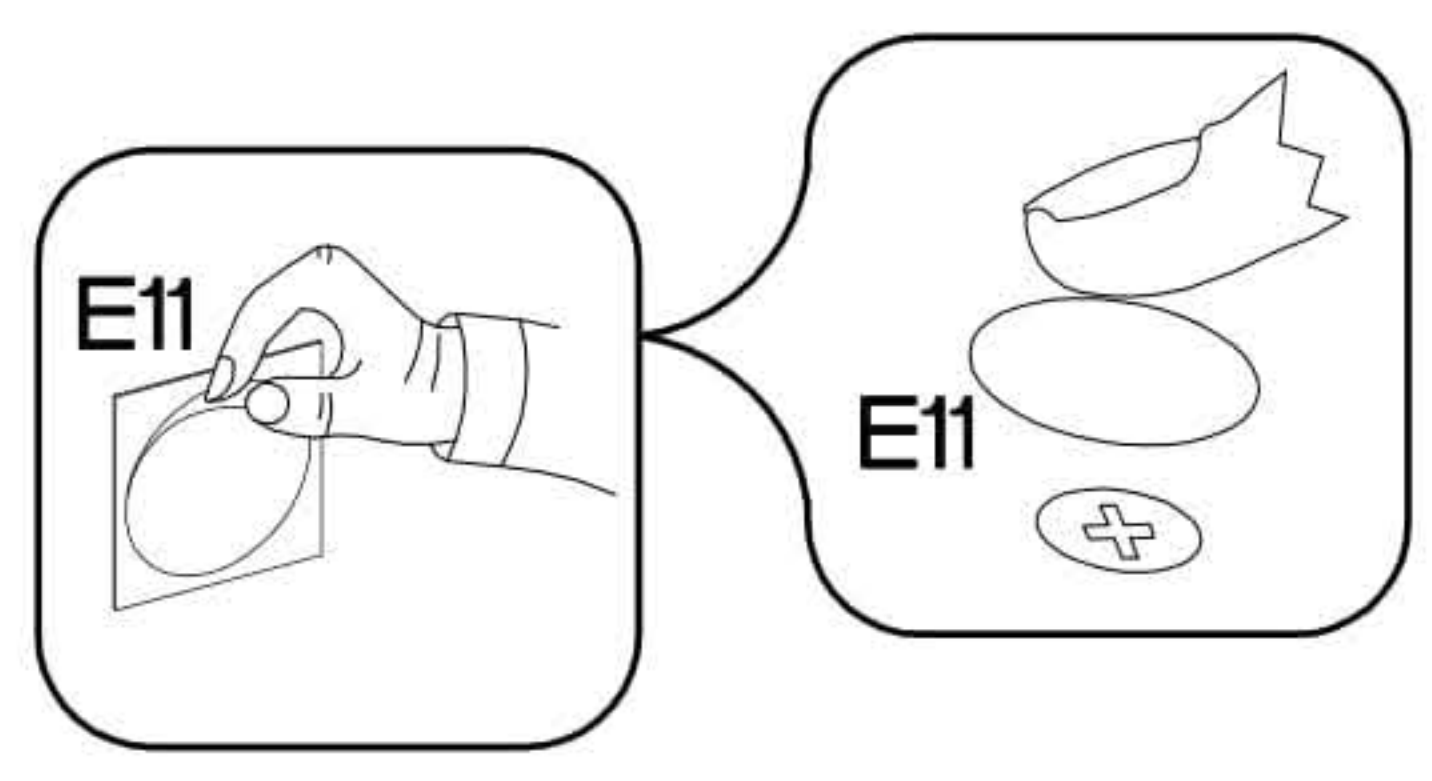
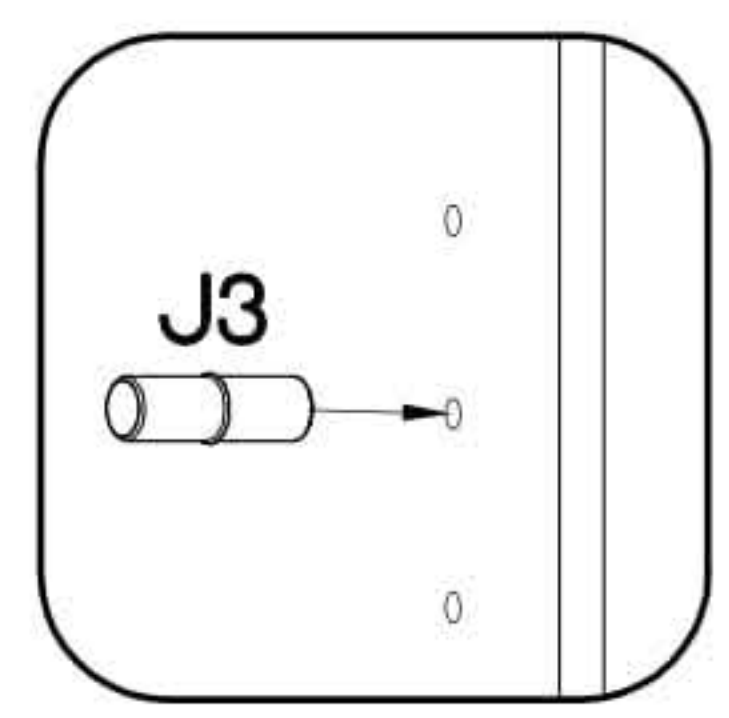
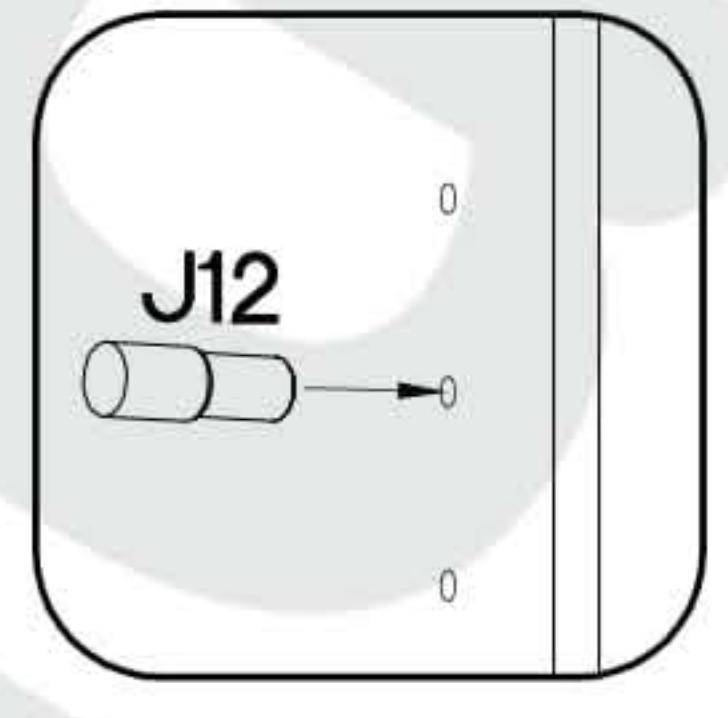
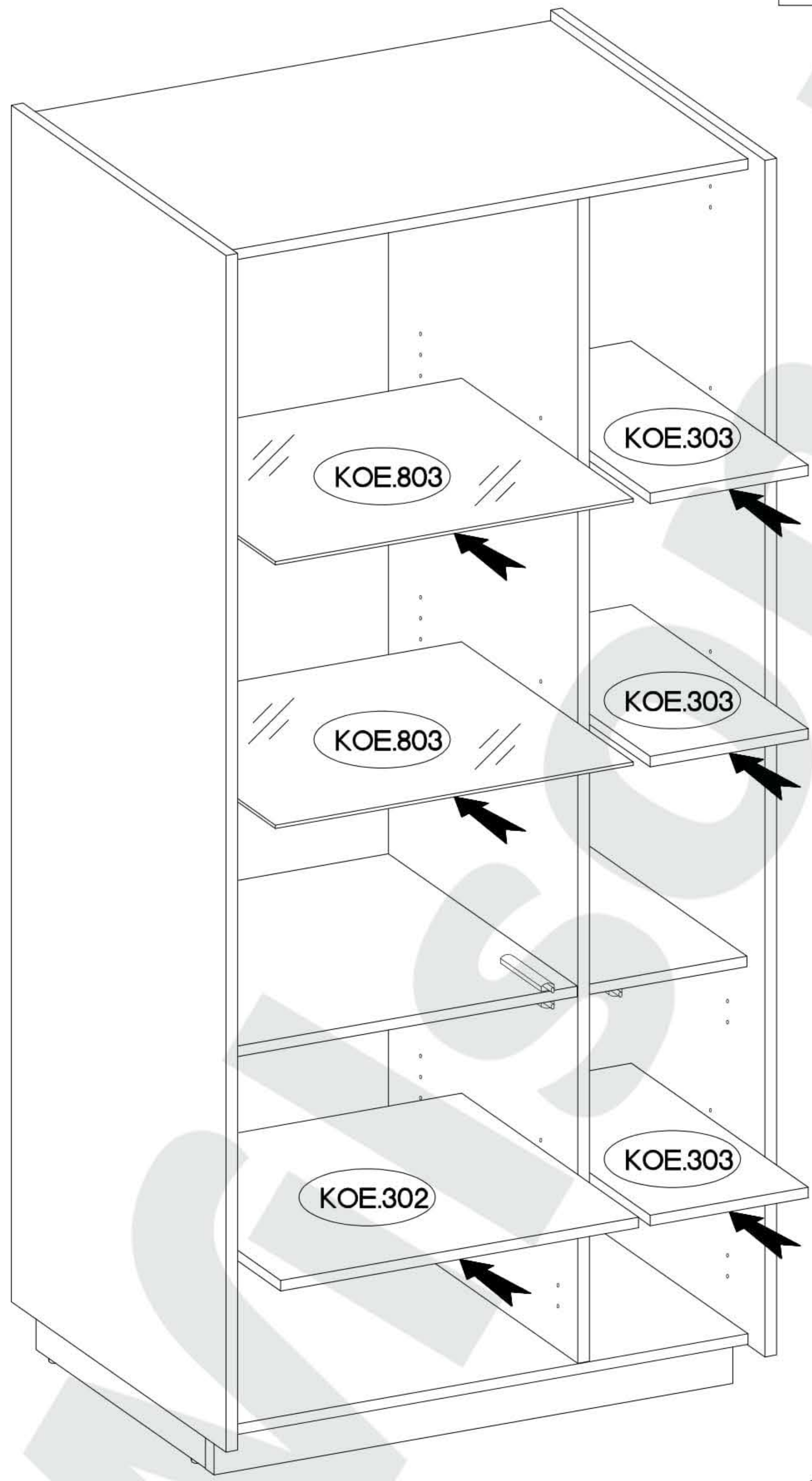


1.  L19
2.  Ø10mm
3.  O7
4.  L19
P12
5.  P5

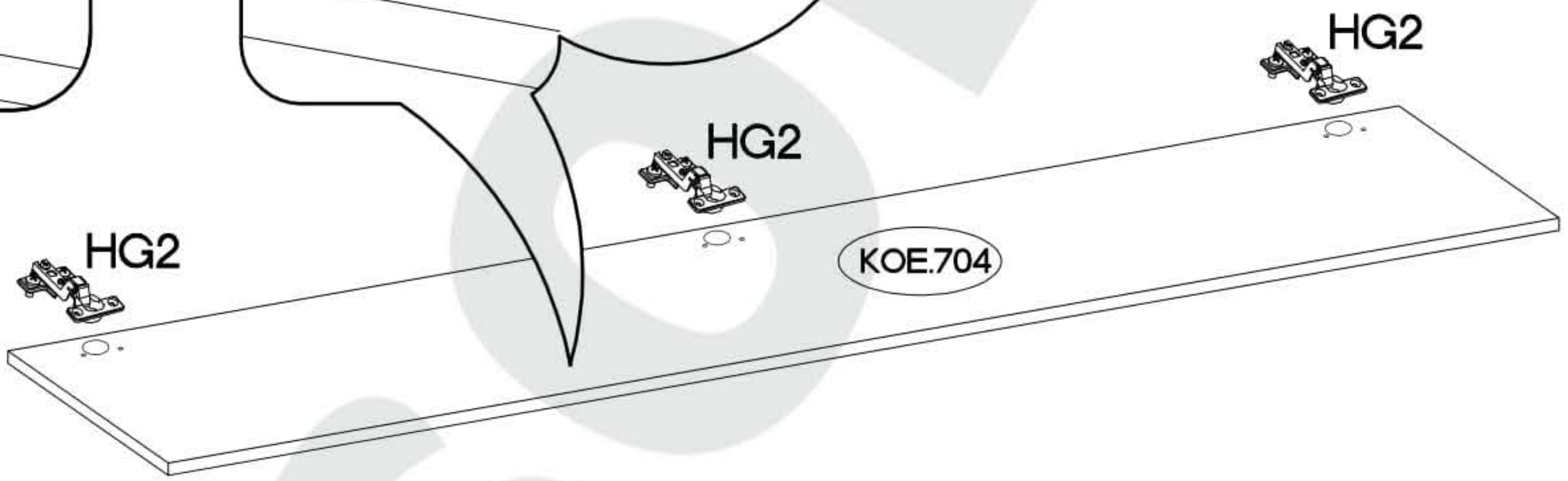
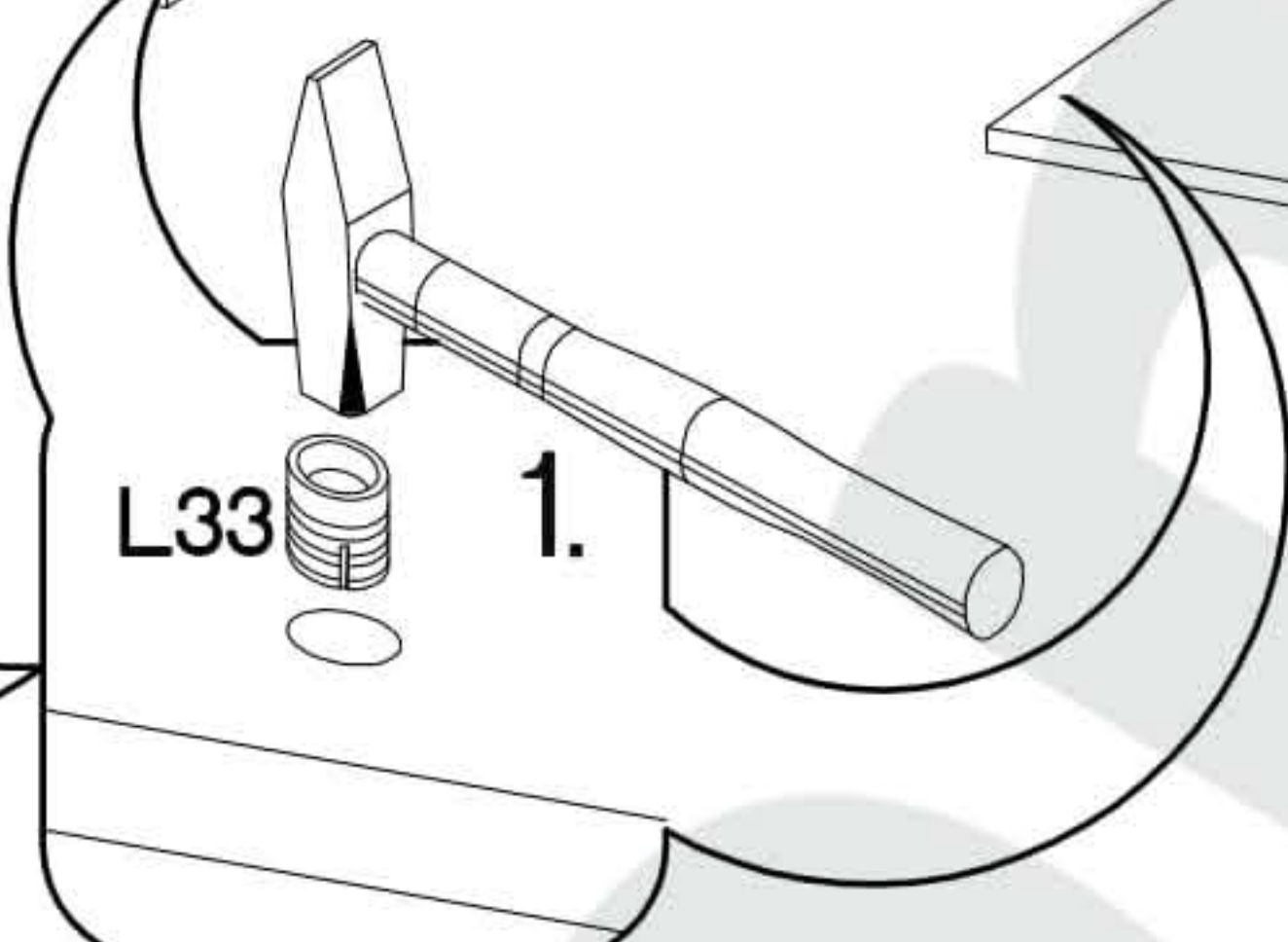
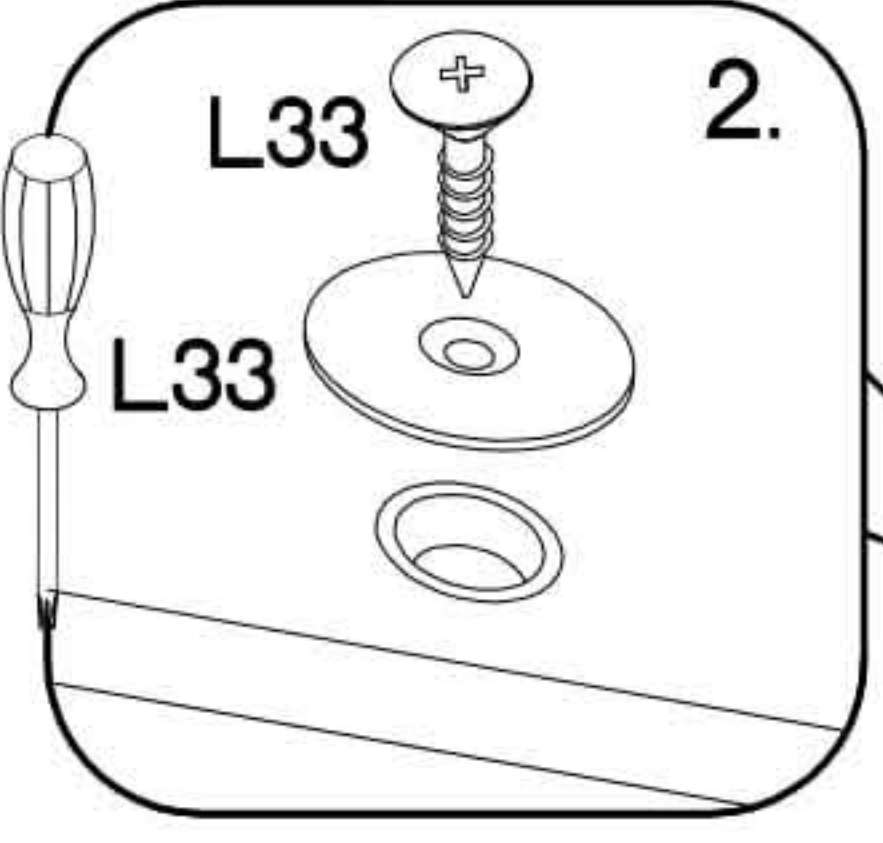
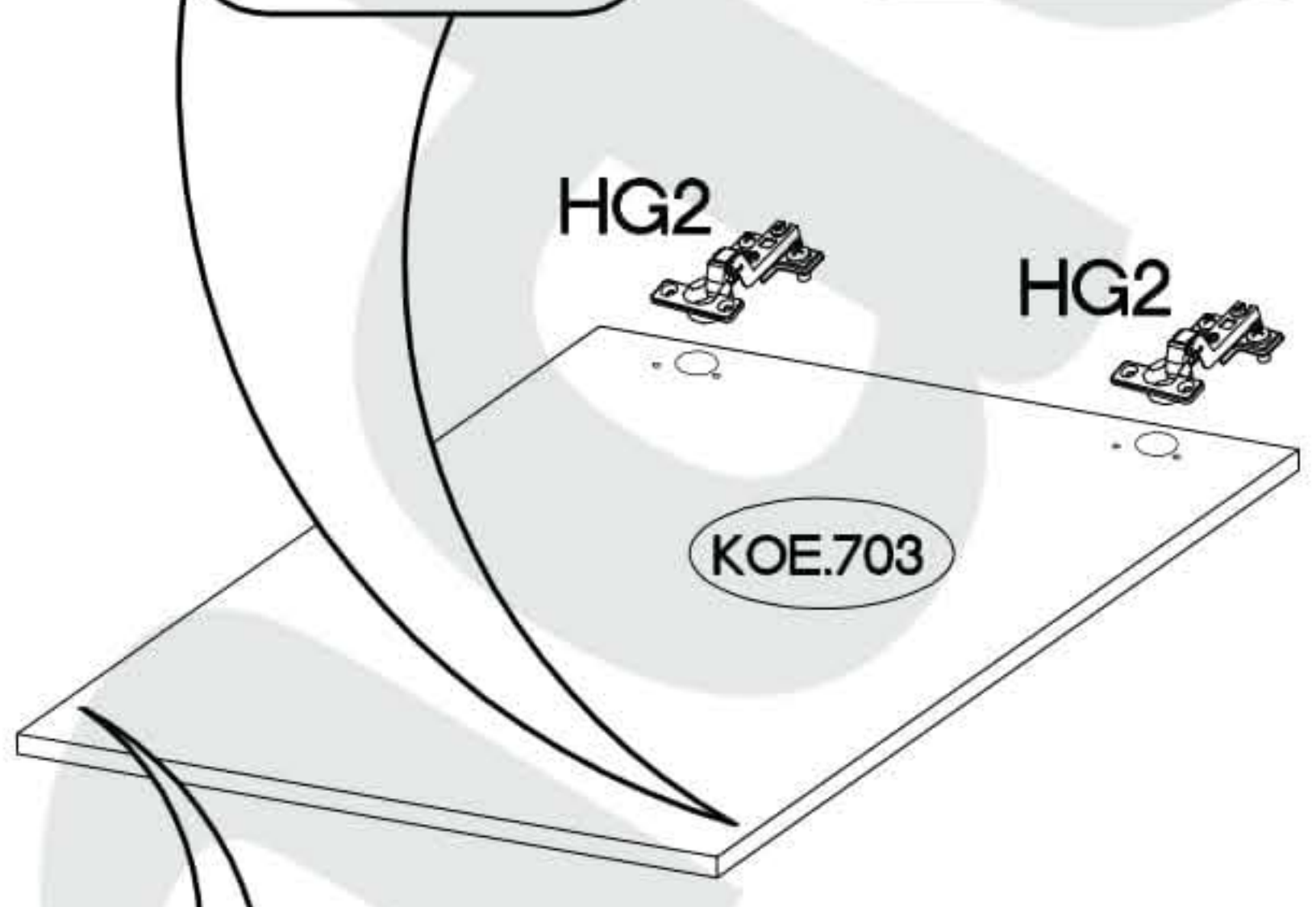
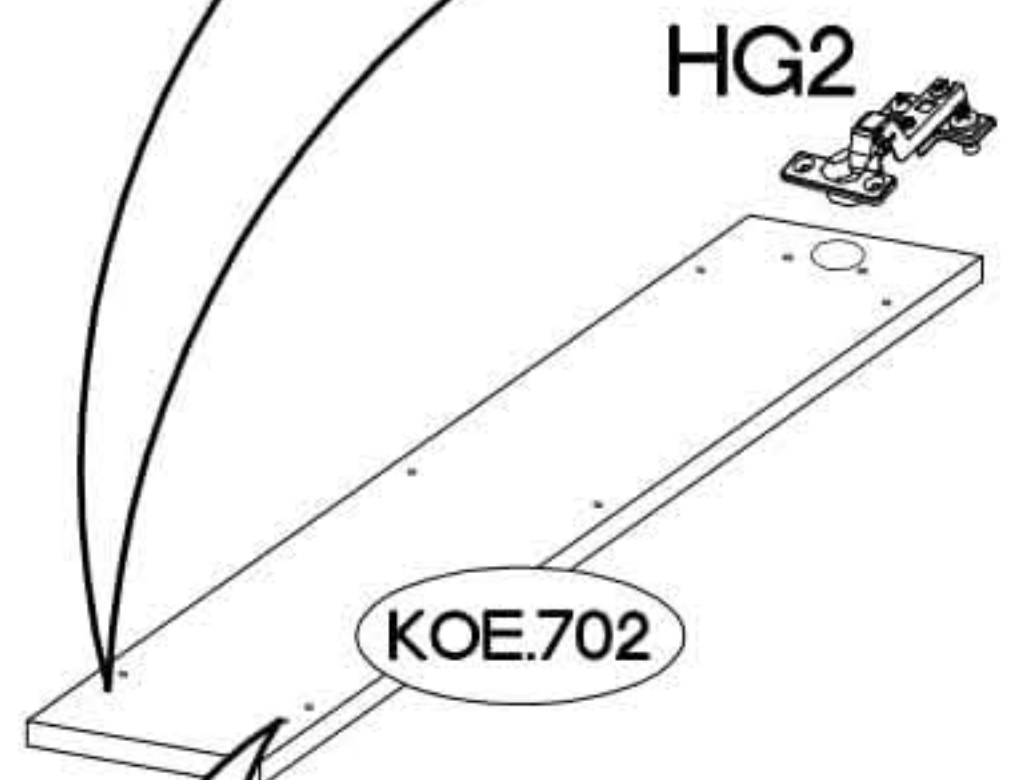
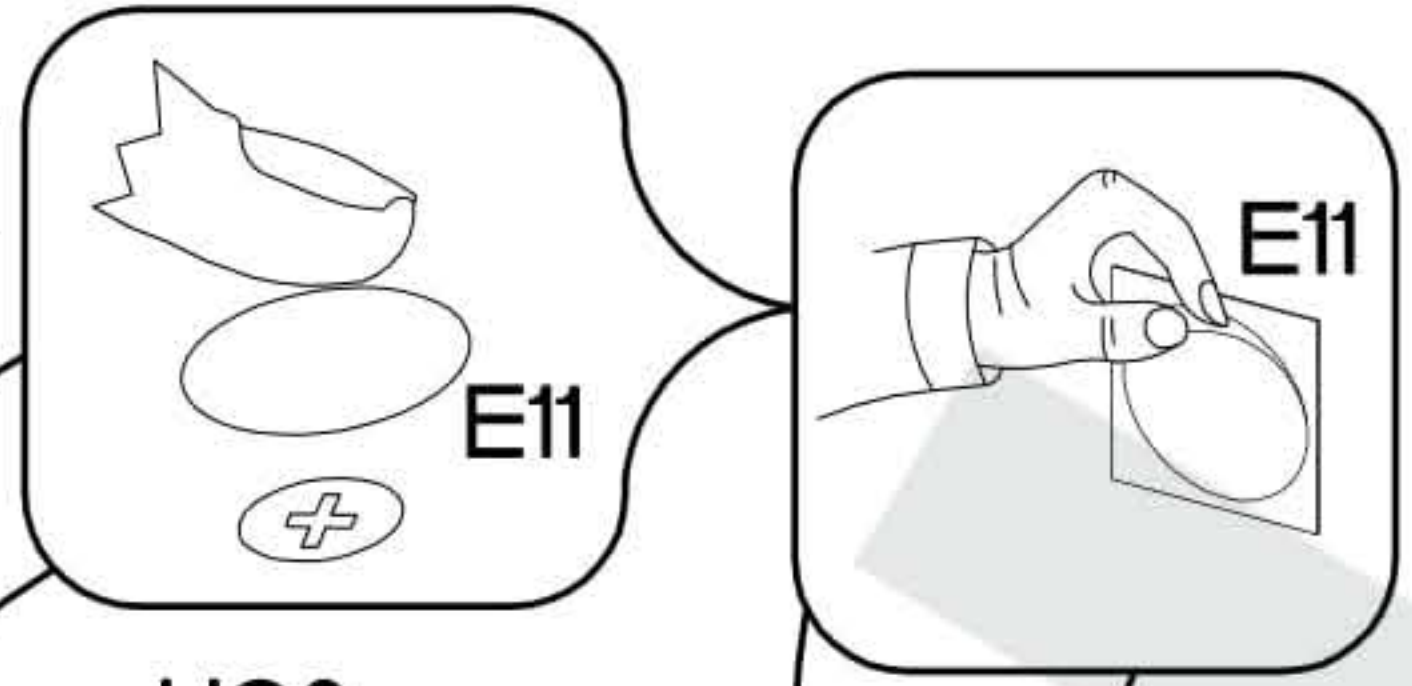
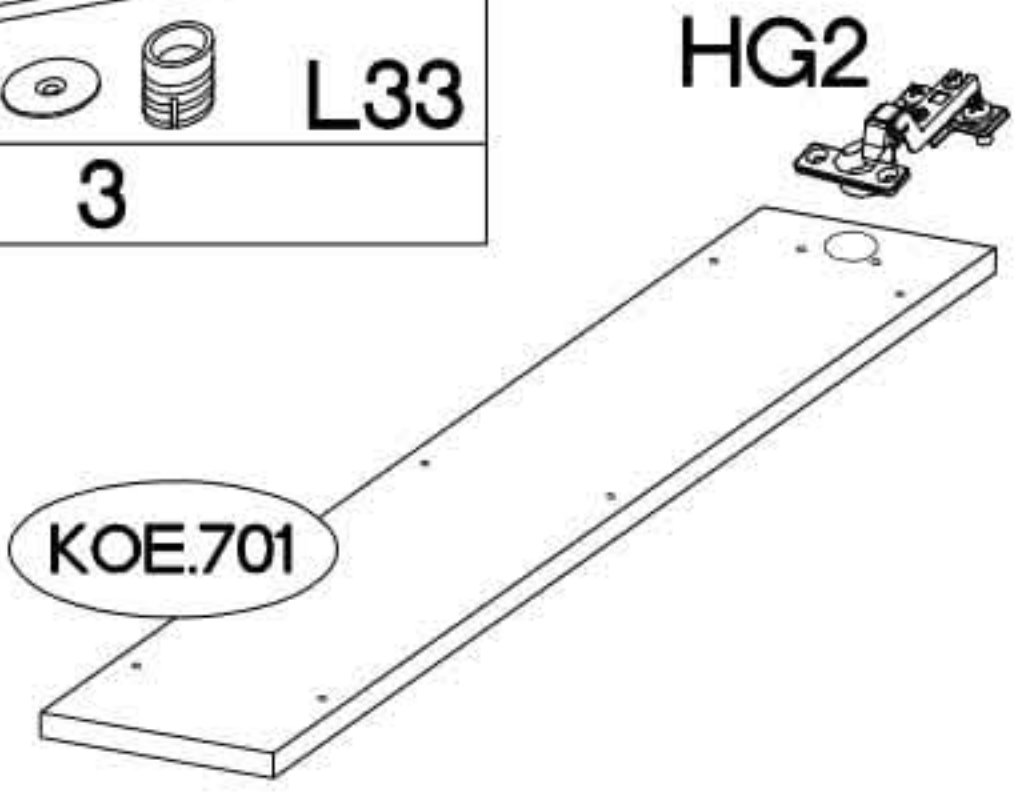
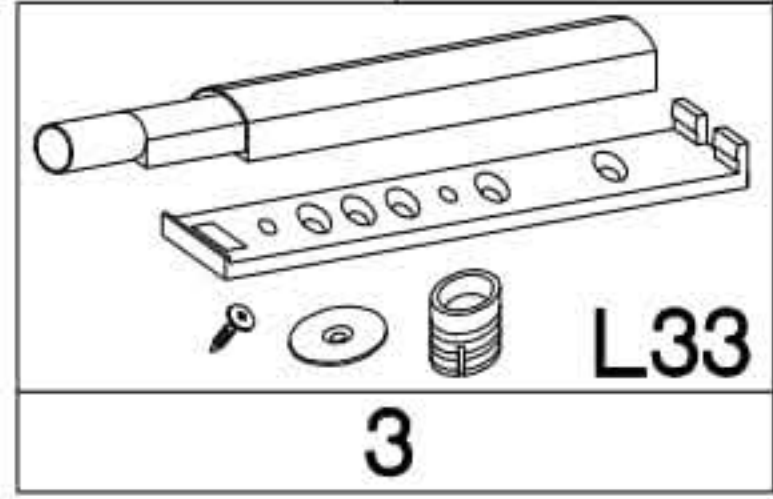


$75 \times 30 \times 15 \text{mm}$  L19 1	$\pm 3.5 \times 13 \text{mm}$  P5 2	$\pm 5.0 \times 60 \text{mm}$  P12 1	$\pm 10 \times 50 \text{mm}$  O7 1
---	---	--	--

+5/16mm  J3 16	 J12 8	+20  orz. E11 8	+20  bez E11 8
---	--	--	---



$\uparrow 20$	$\uparrow 20$	$\uparrow 35/16\text{mm}$	$\uparrow 3.5 \times 13\text{mm}$
orz. E11	bež E11	HG2	P5
1	1	7	14



$\uparrow 4.0 \times 16\text{mm}$	$\uparrow 7/4\text{mm}$
R11	J7
6	6

