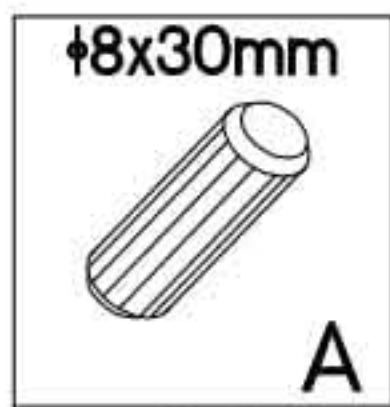
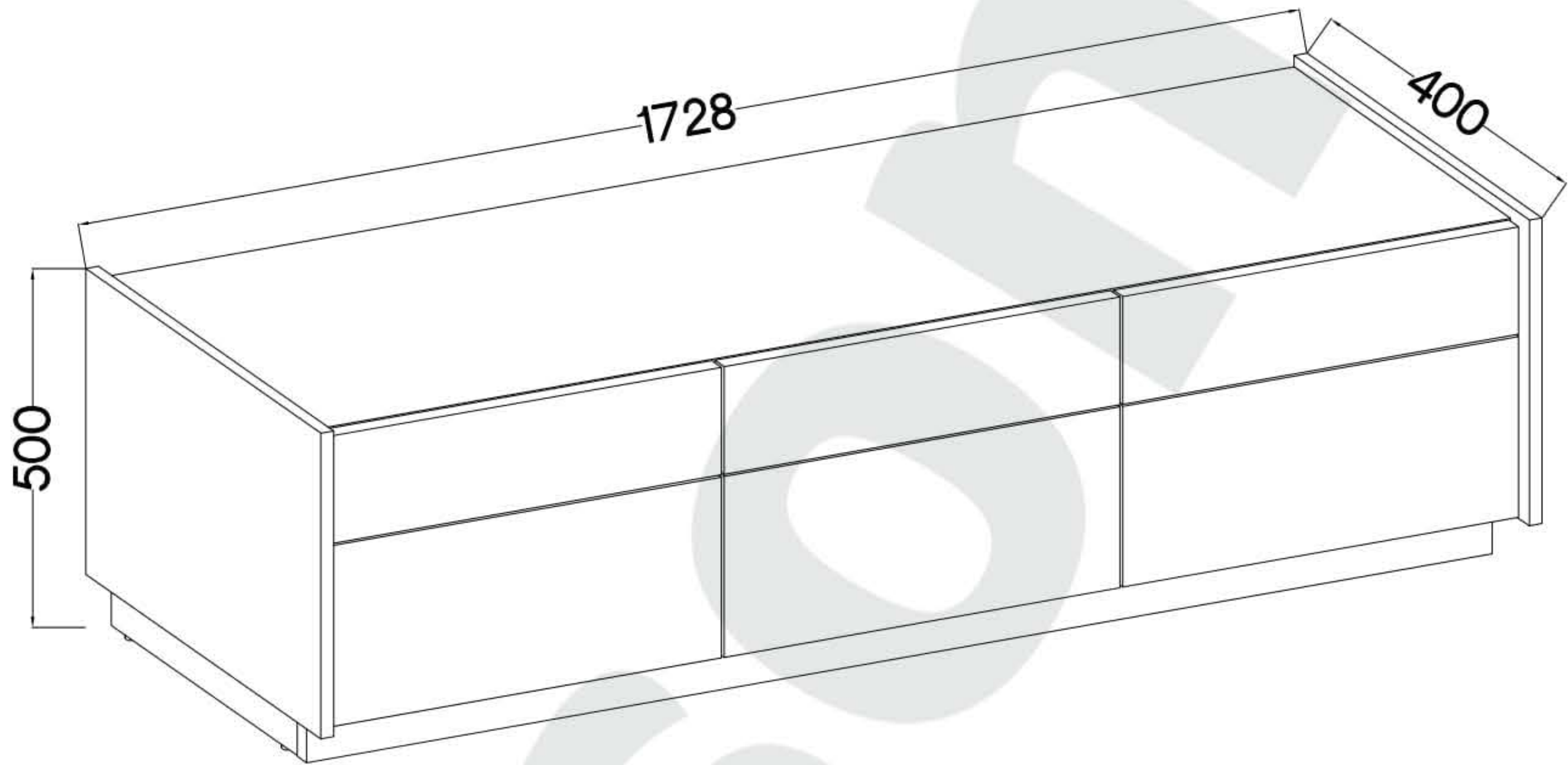


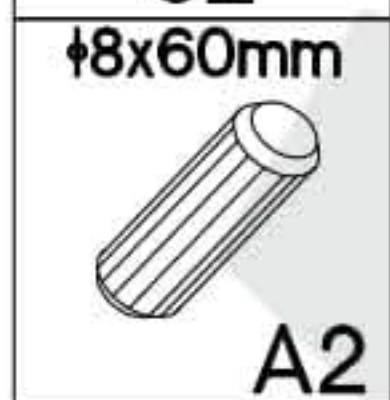
120 min

TYP 301



A

62



A2

2



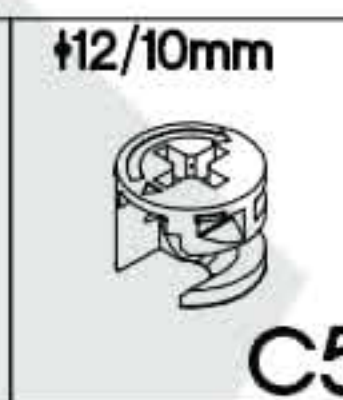
B2

12



C

22



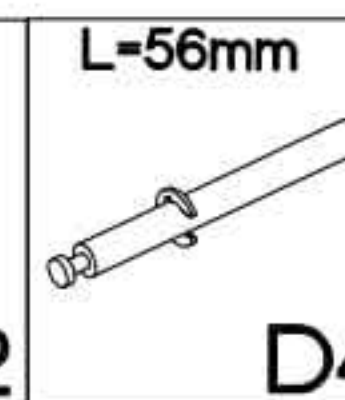
C5

12



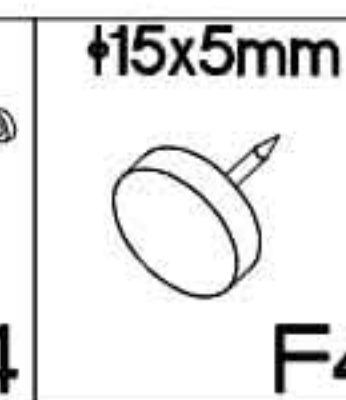
D2

30



D4

2



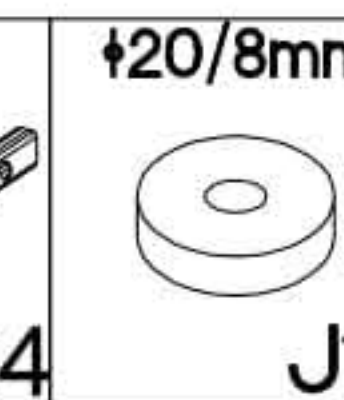
F4

8



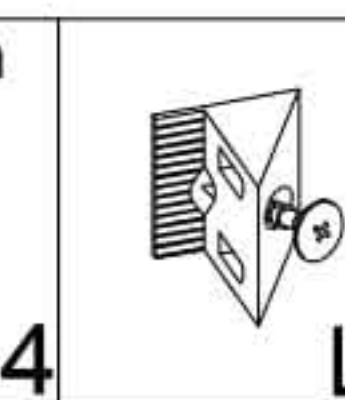
I4

6



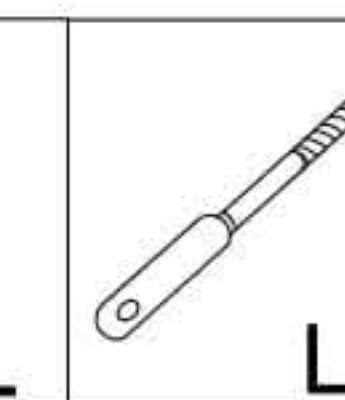
J14

8



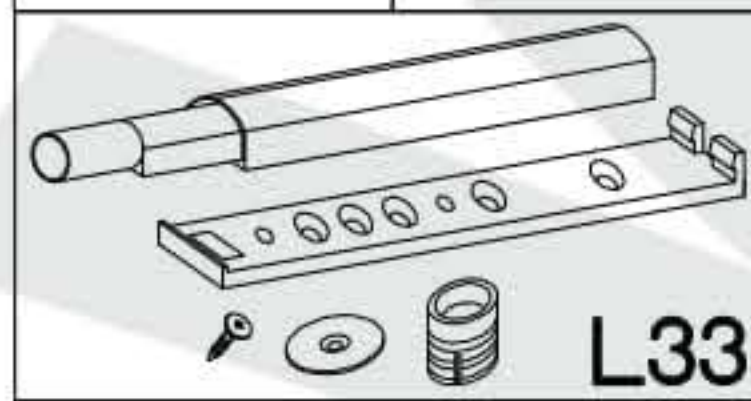
L

36



L9

1



L33

6



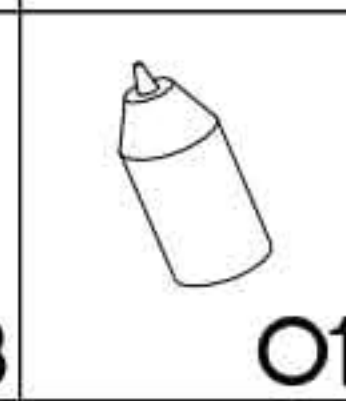
M2

16



M3

8



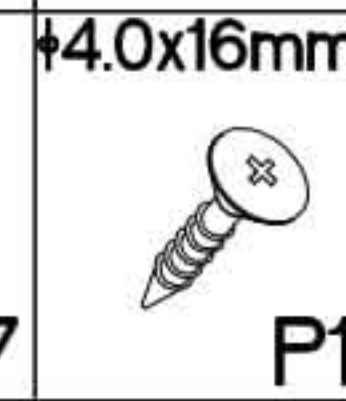
O1

1



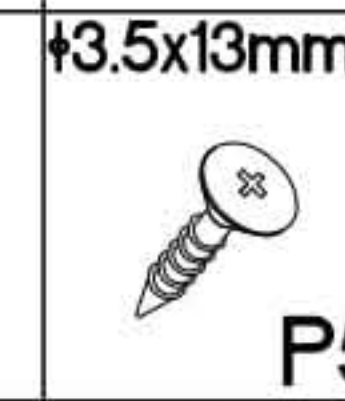
O7

1



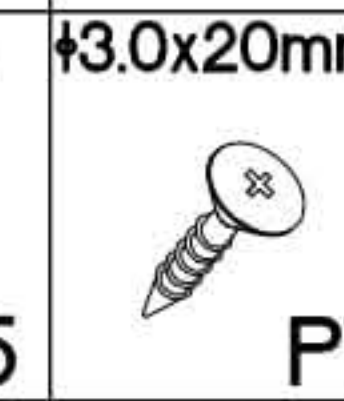
P1

14



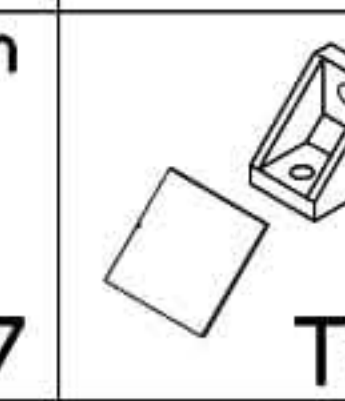
P5

13



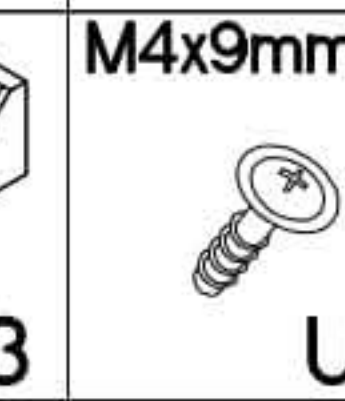
P7

23



T3

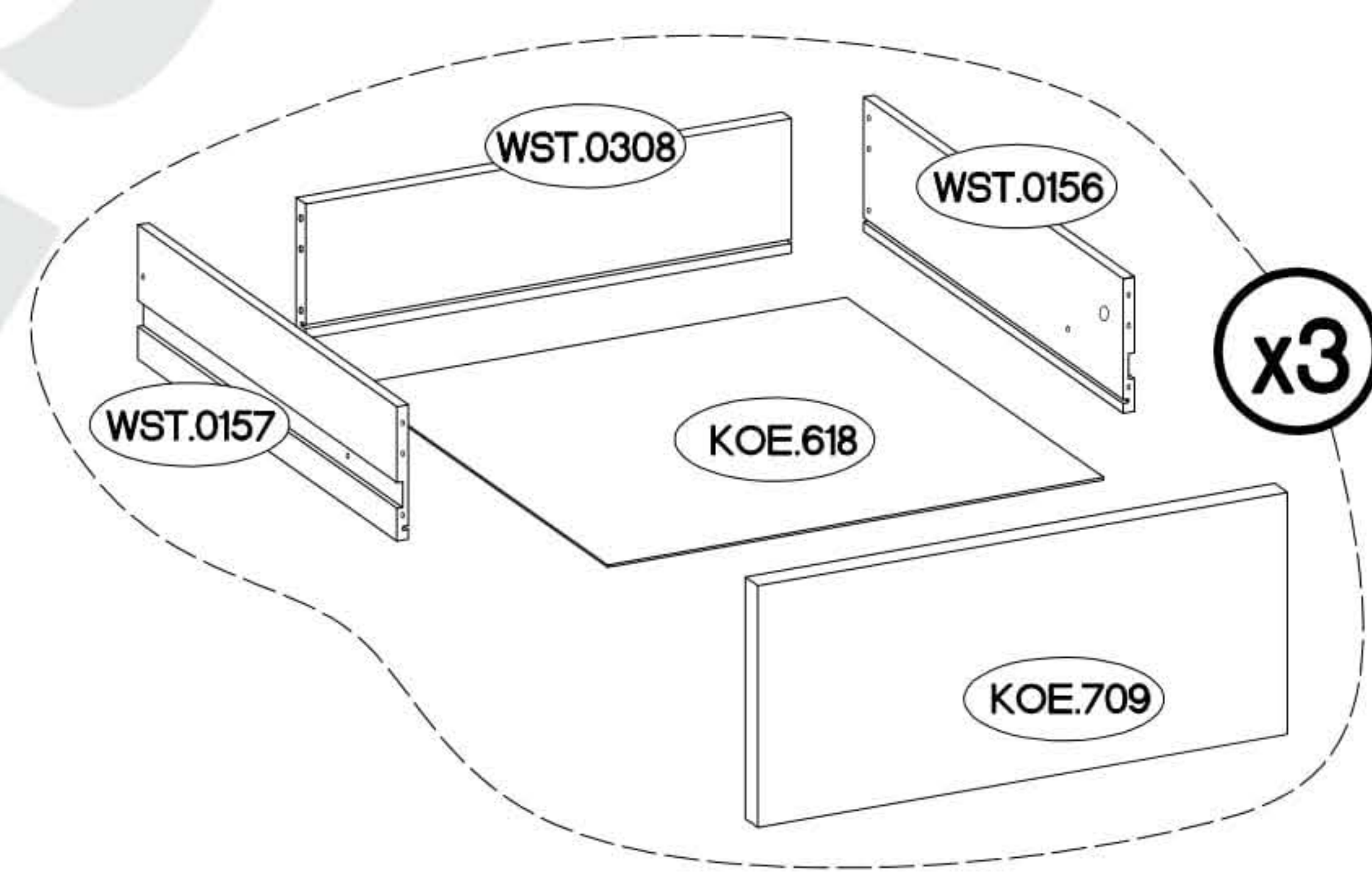
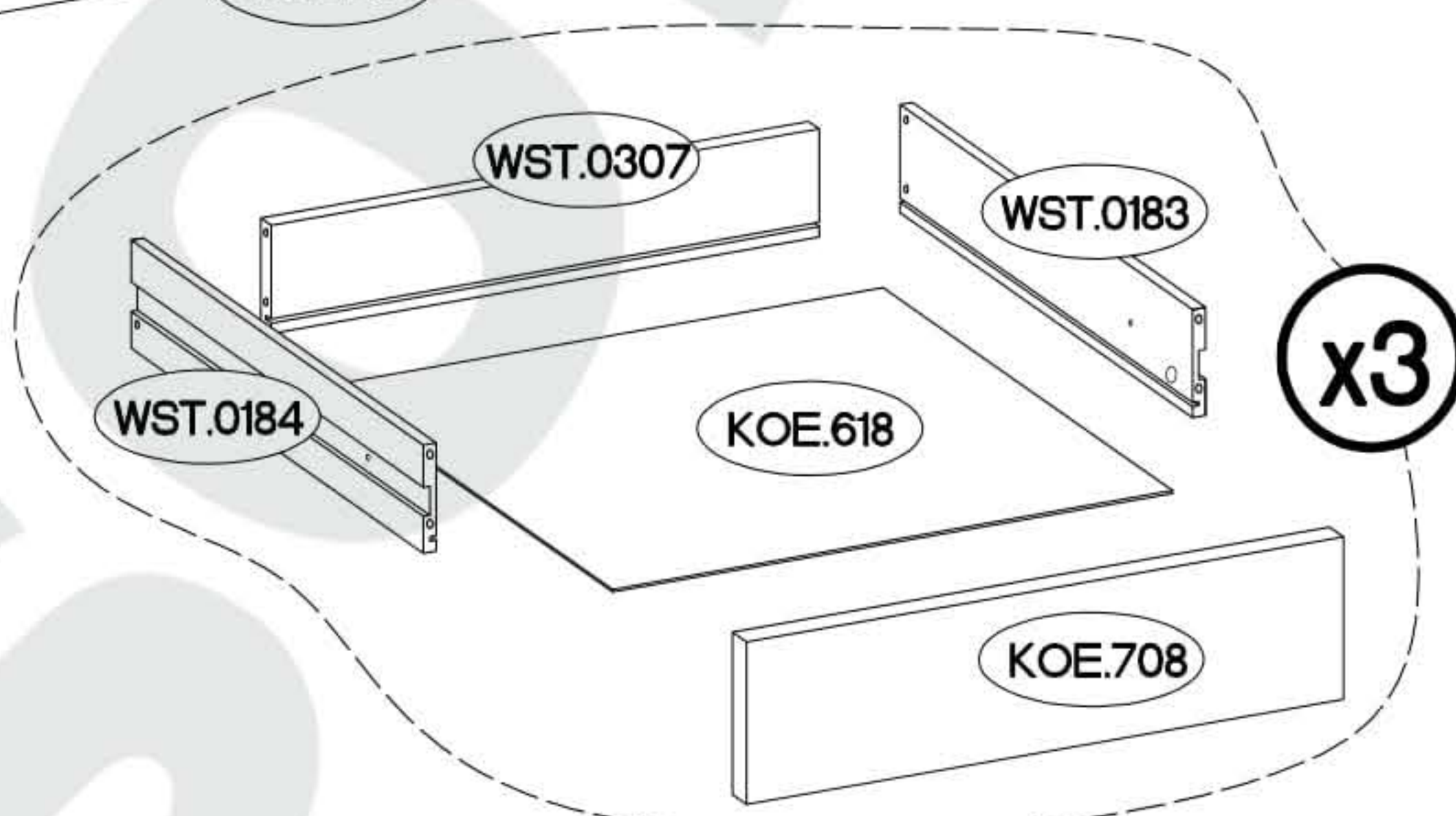
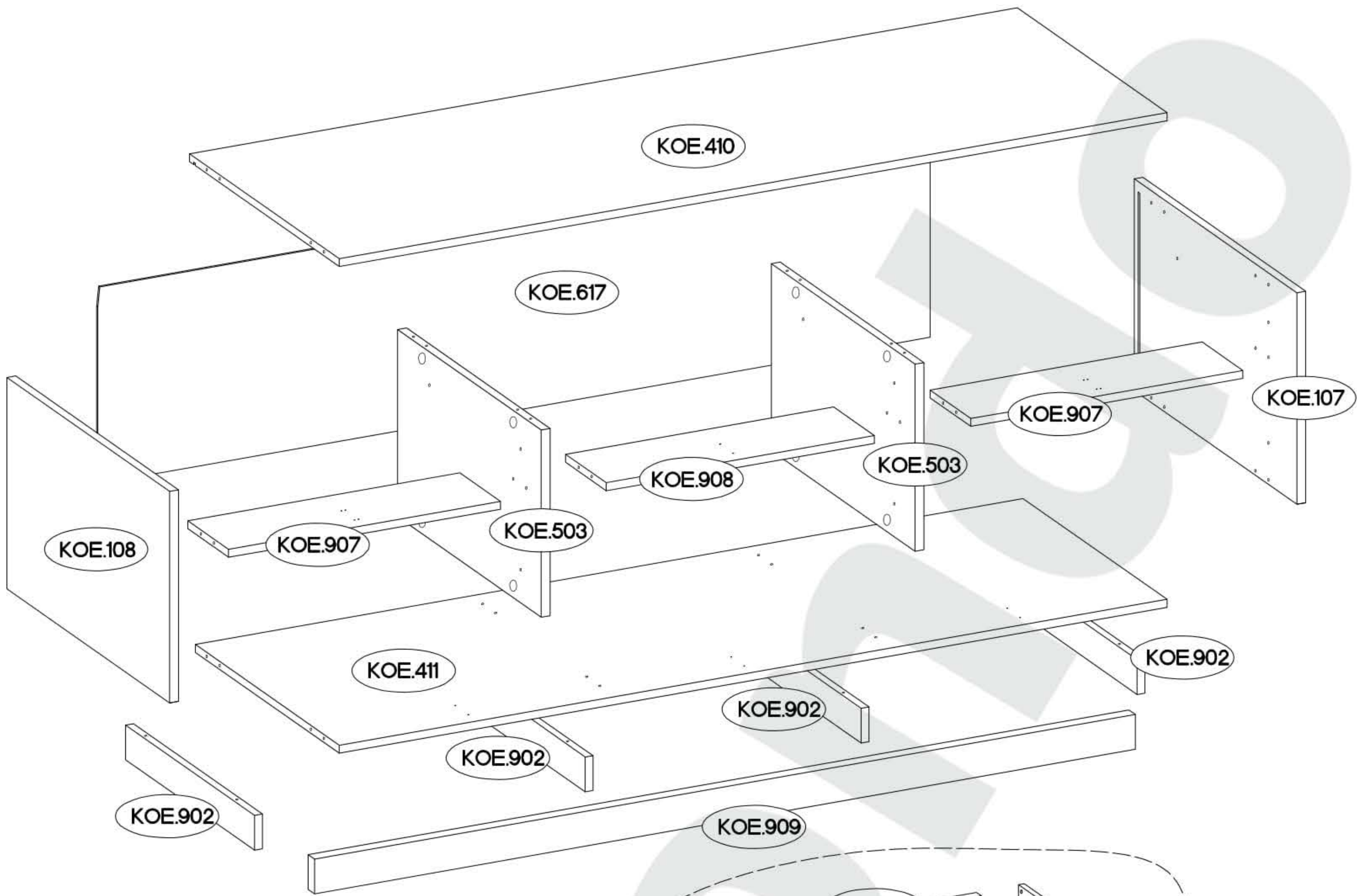
7

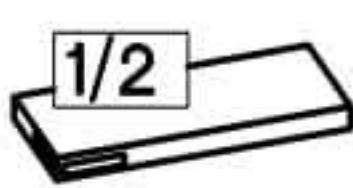
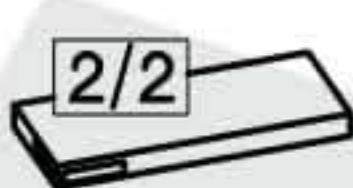


U1

12

ISM-KOE-006



	Ersatzteil Nummer	Dimension
	KOE.107	426x400x18
	KOE.108	426x400x18
	KOE.503 x2	377x353x16
	KOE.907 x2	556x100x16
	KOE.908	548x100x16
	KOE.902 x4	317x70x16
	KOE.618 x6	525x327x2,5
	KOE.708 x3	560x150x16
	KOE.709 x3	560x252x16
	KOE.410	1692x368x16
	KOE.411	1692x354x16
	KOE.909	1678x70x16
	KOE.617	1701x396x2,5
	WST.0183 x3	330x100x12
	WST.0184 x3	330x100x12
	WST.0307 x3	514x100x12
	WST.0156 x3	330x140x12
	WST.0157 x3	330x140x12
WST.0308 x3	514x140x12	


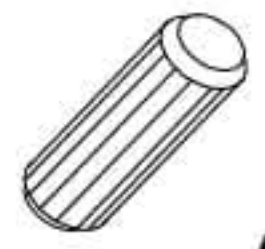


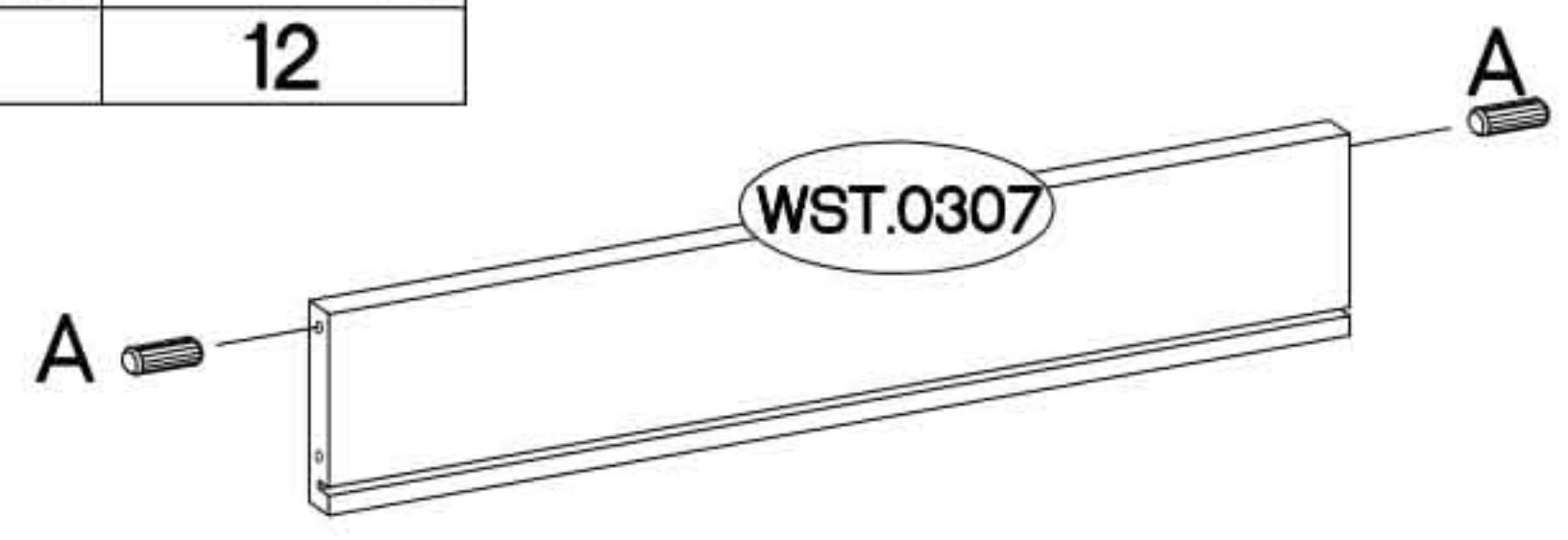
KOE.410



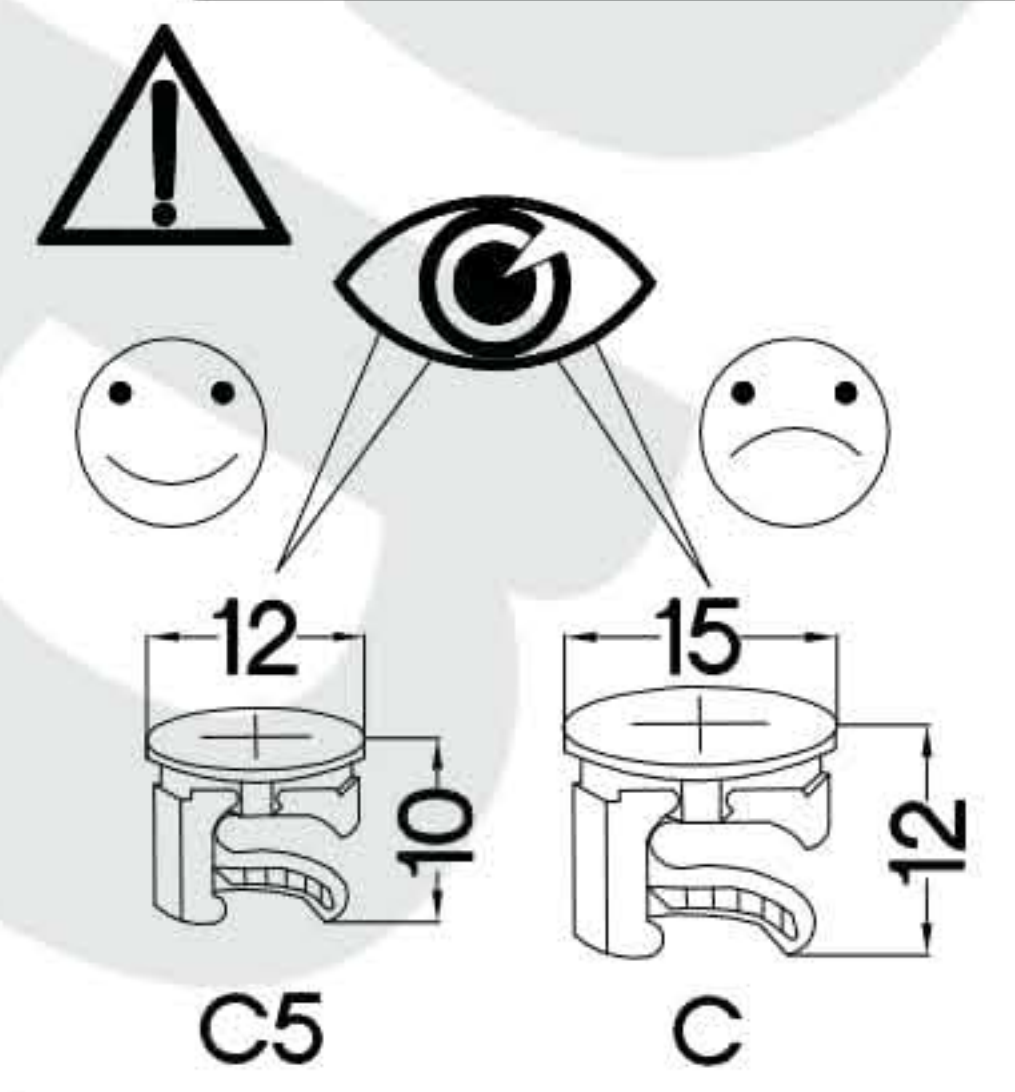
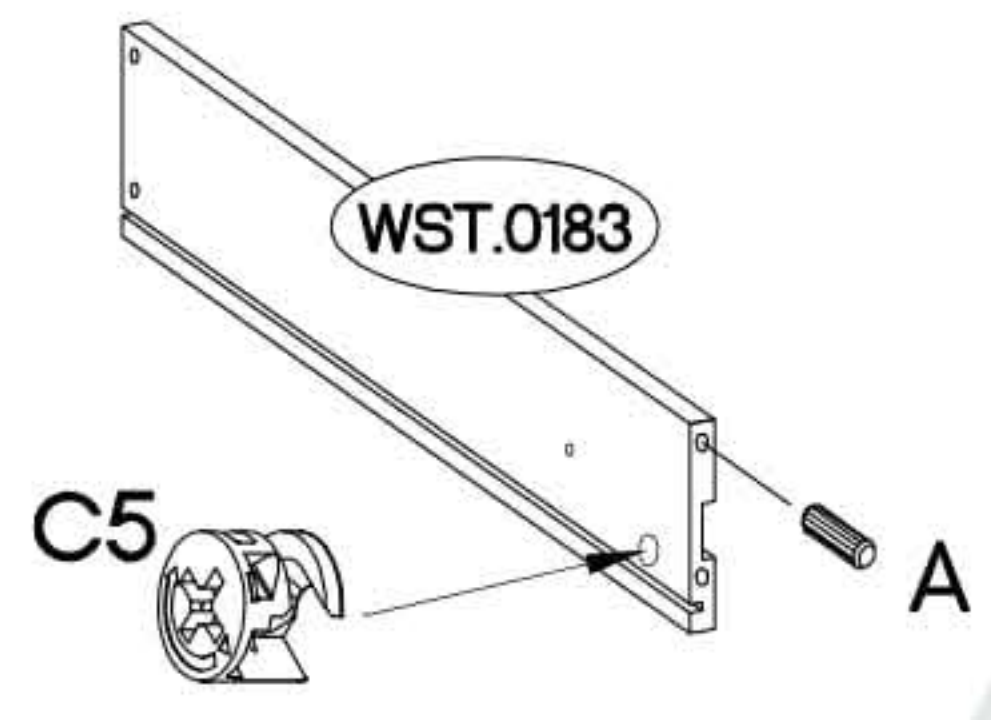
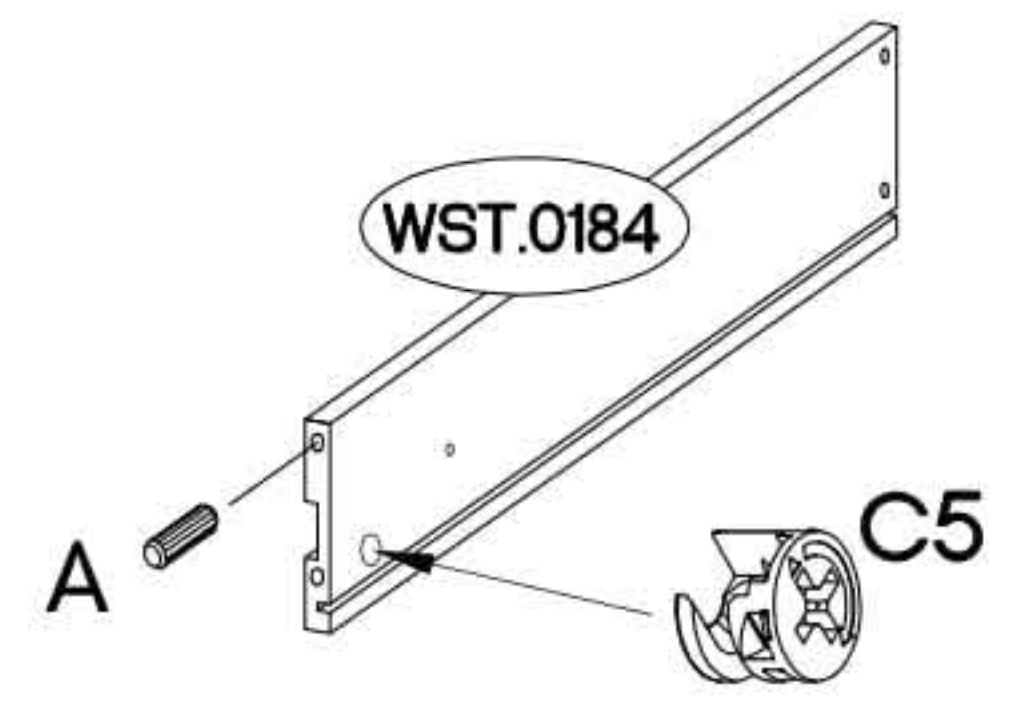
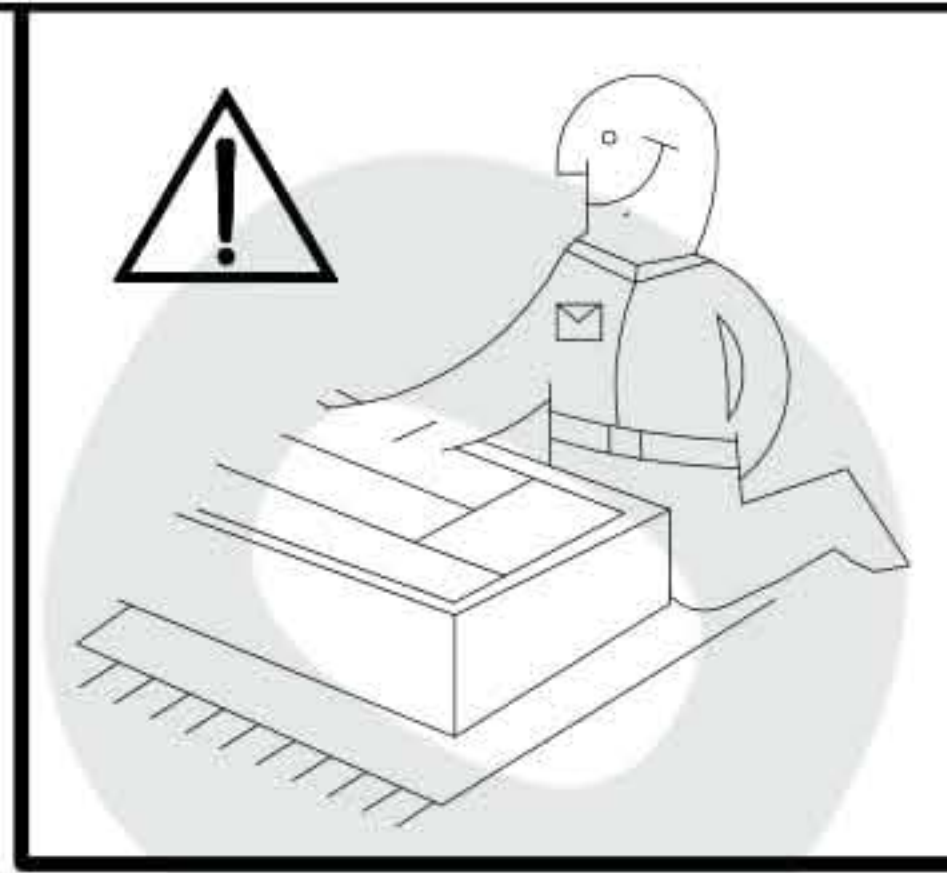
KOE.618

1

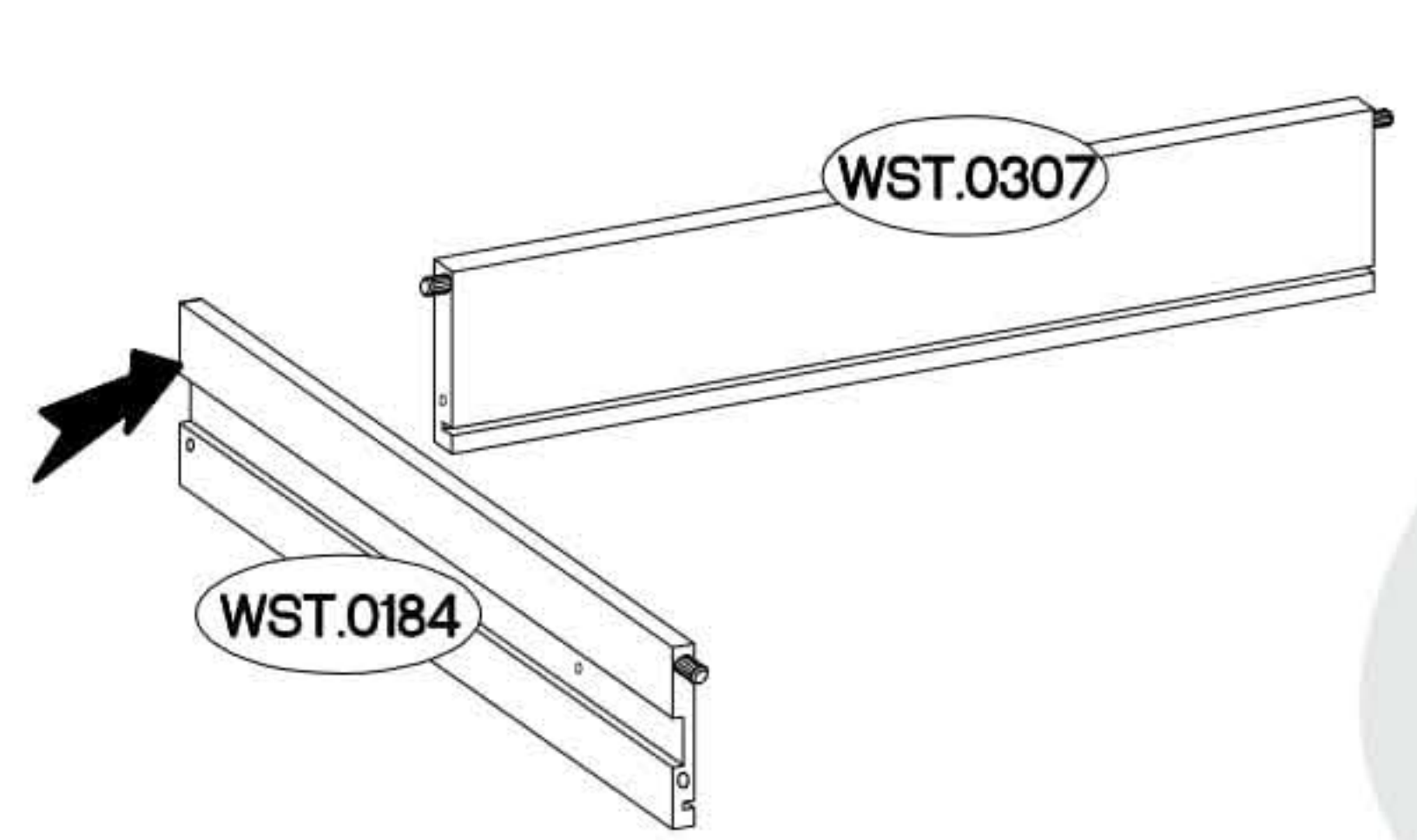
†12/10mm  C5 6	†8x30mm  A 12
--	---




x3

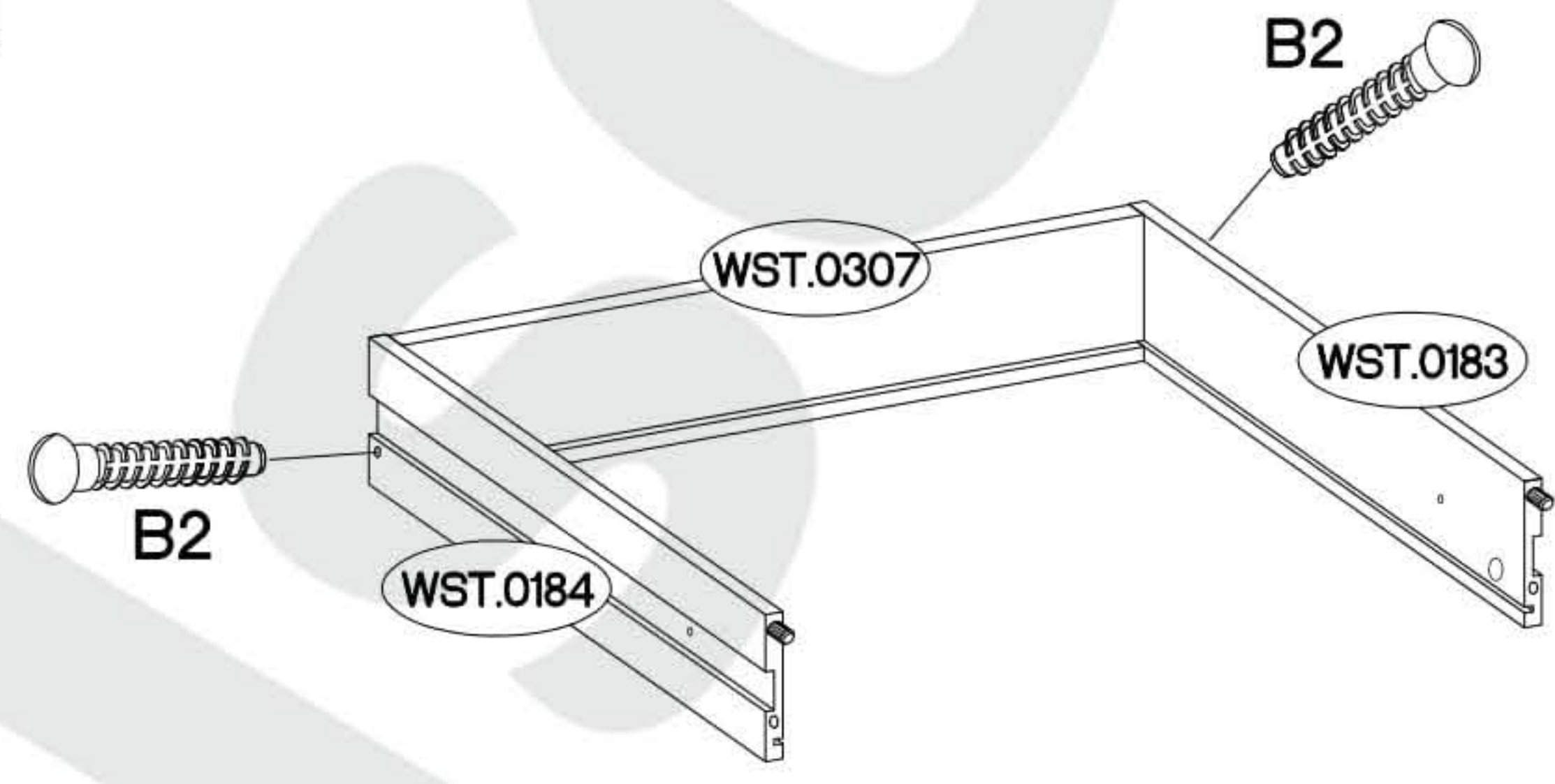
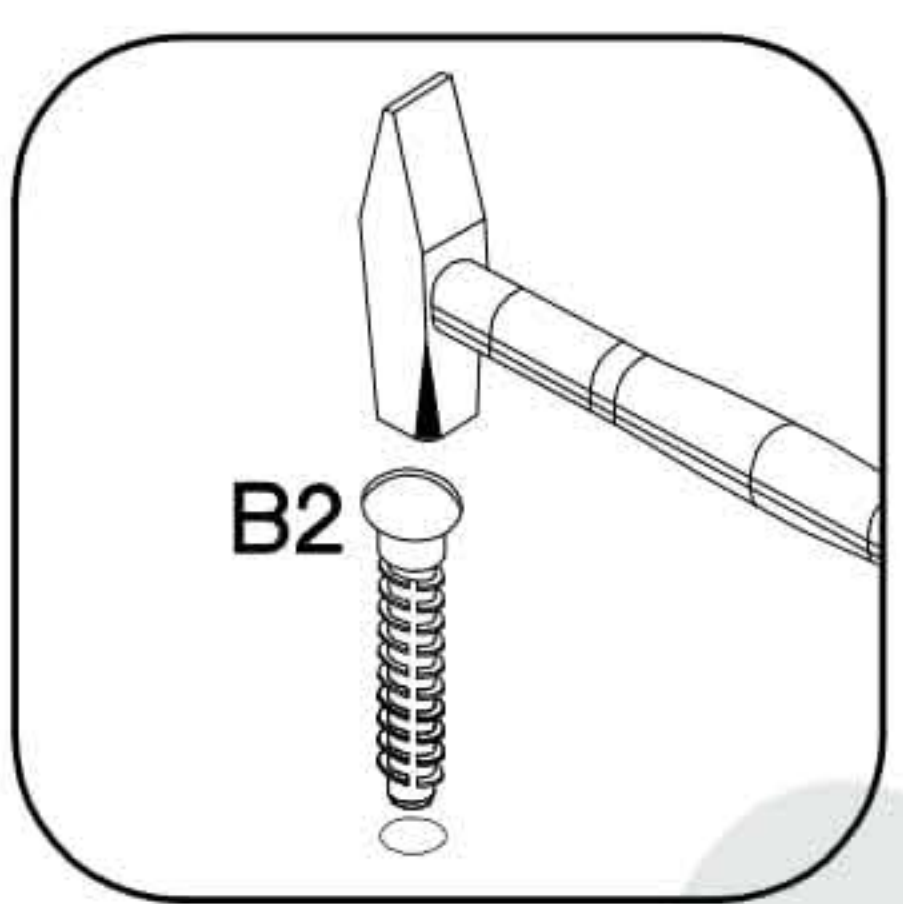


2


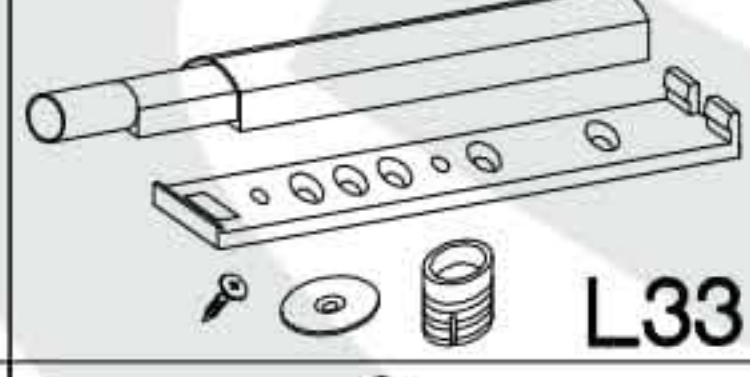


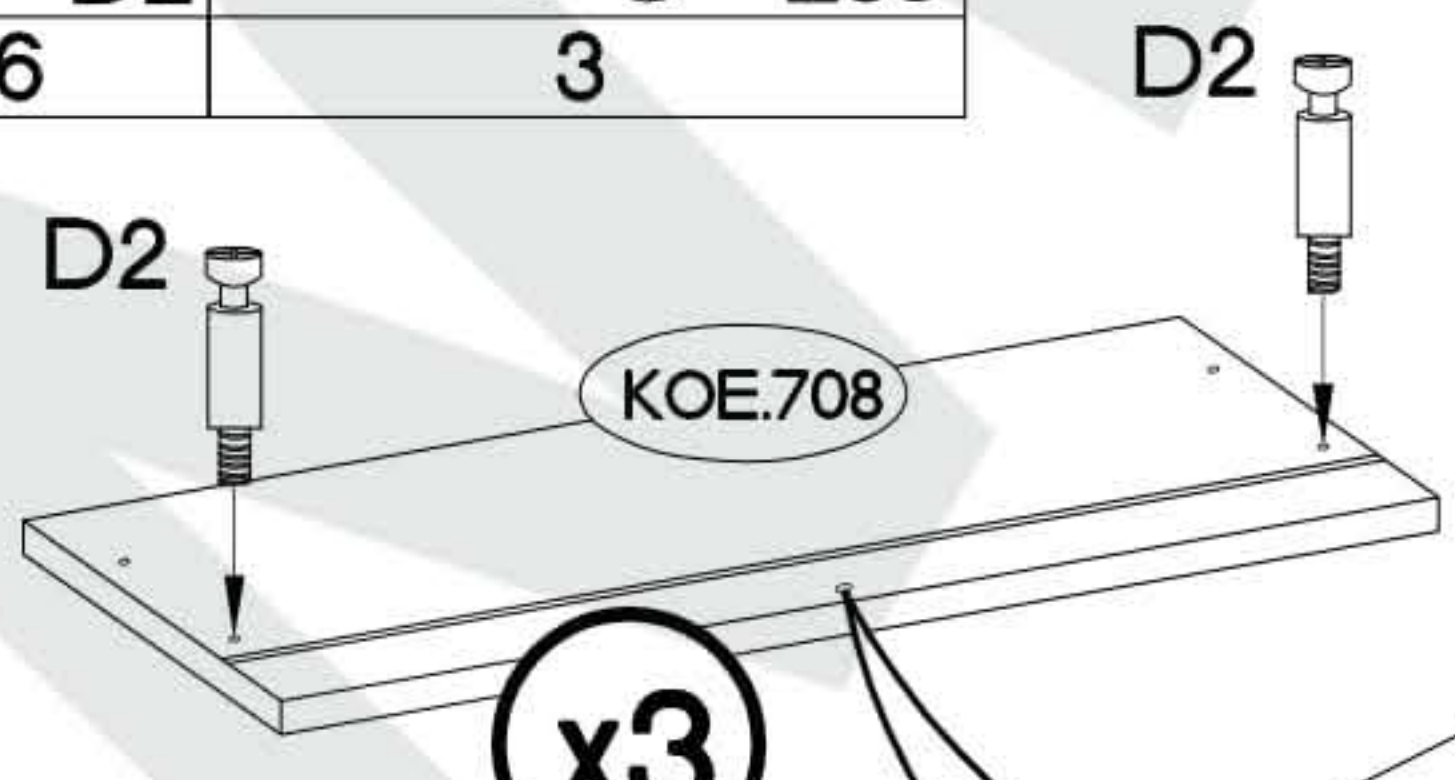
x3

†6x42mm  B2 6
--

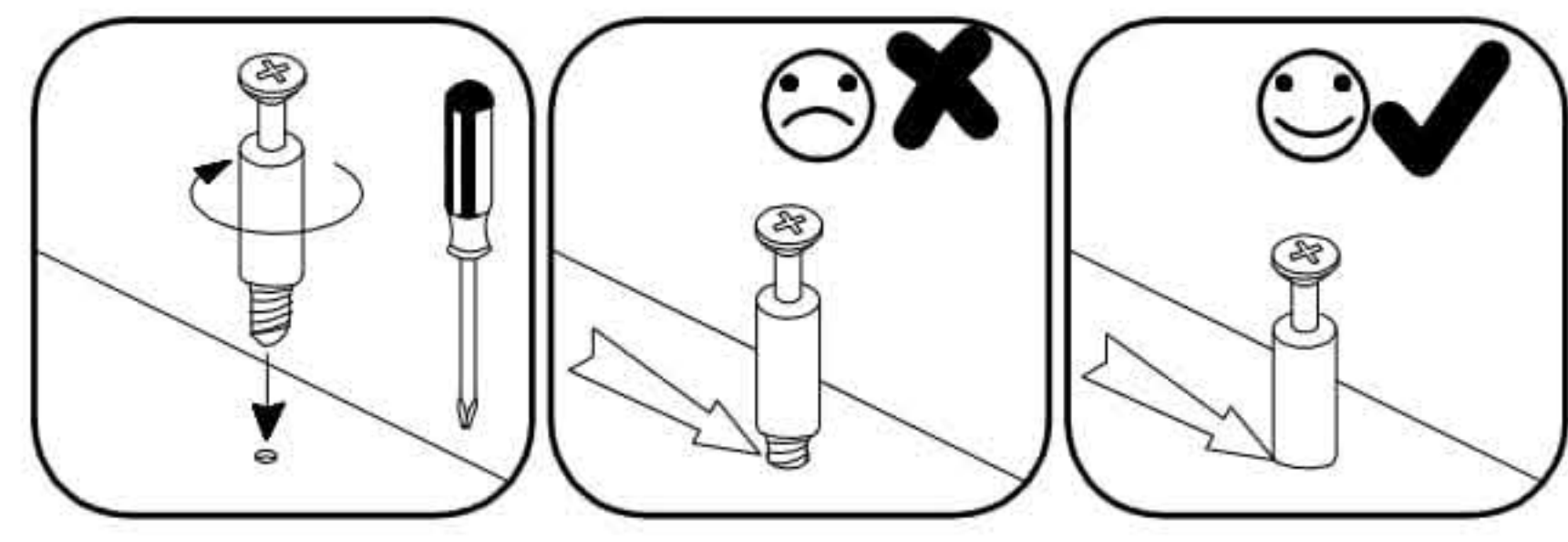
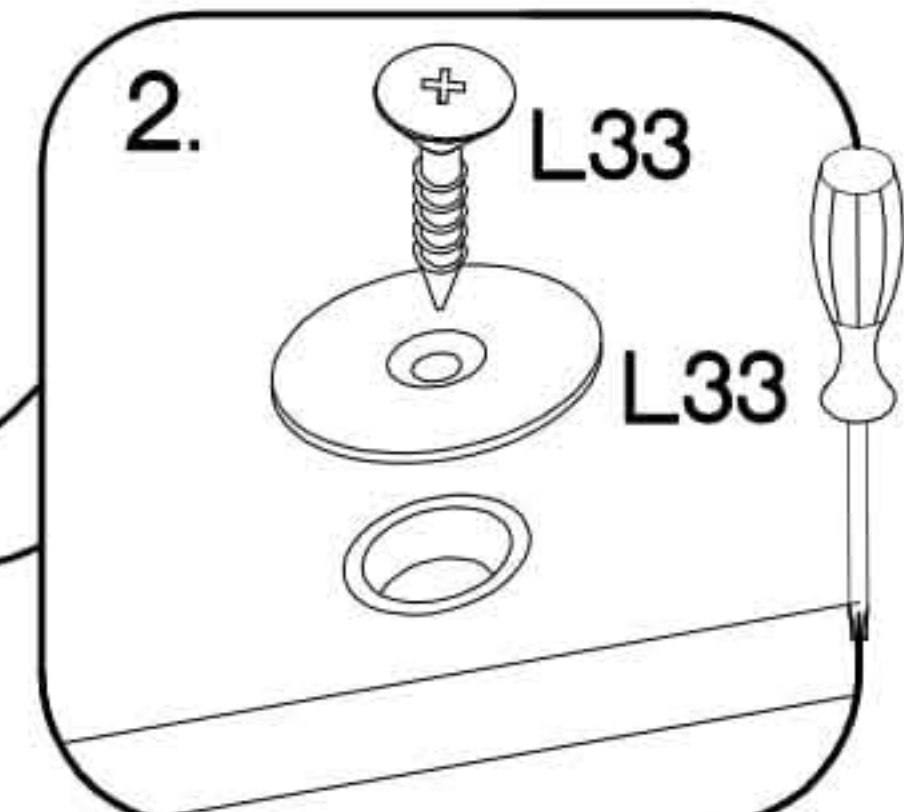
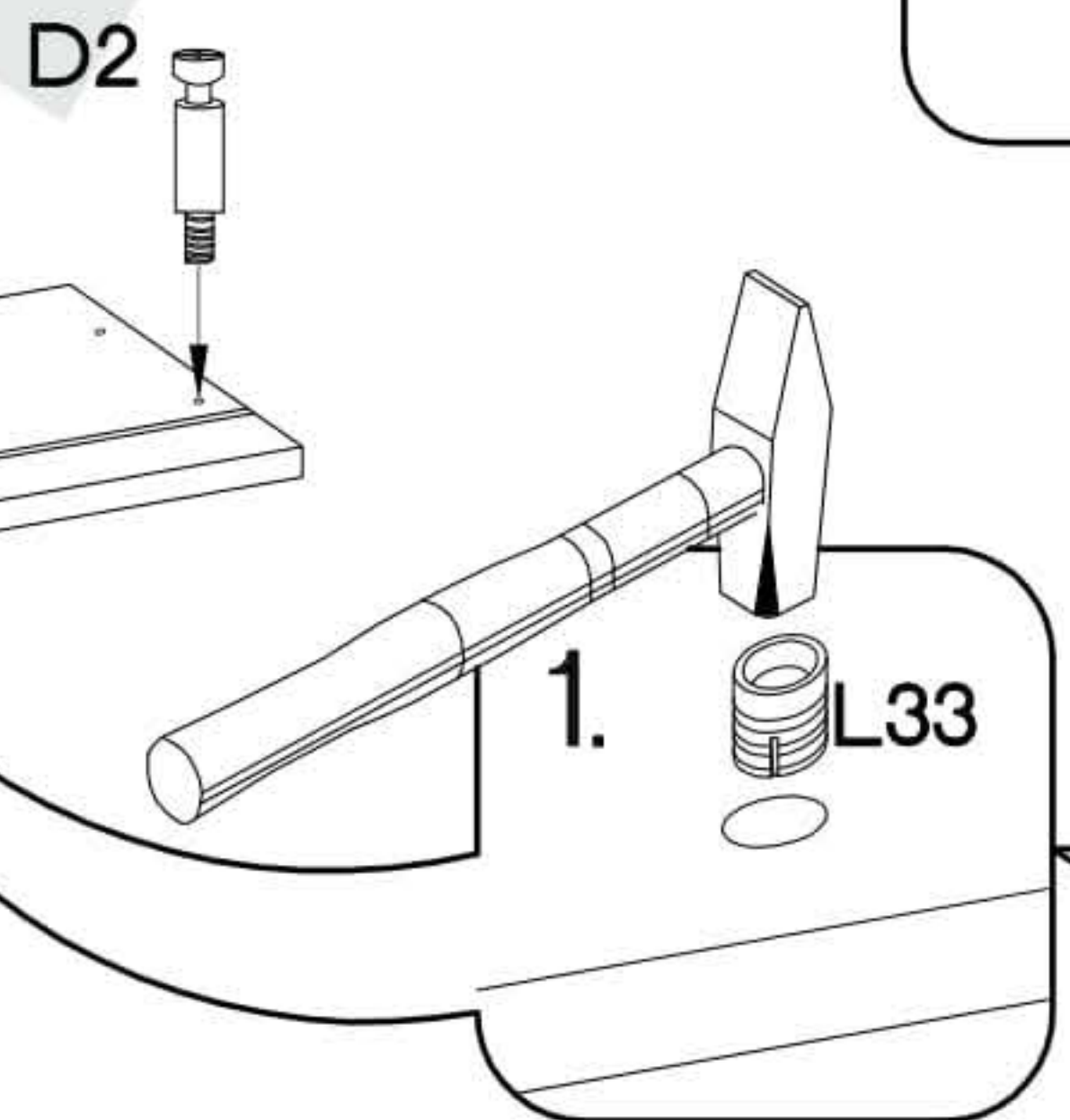


3

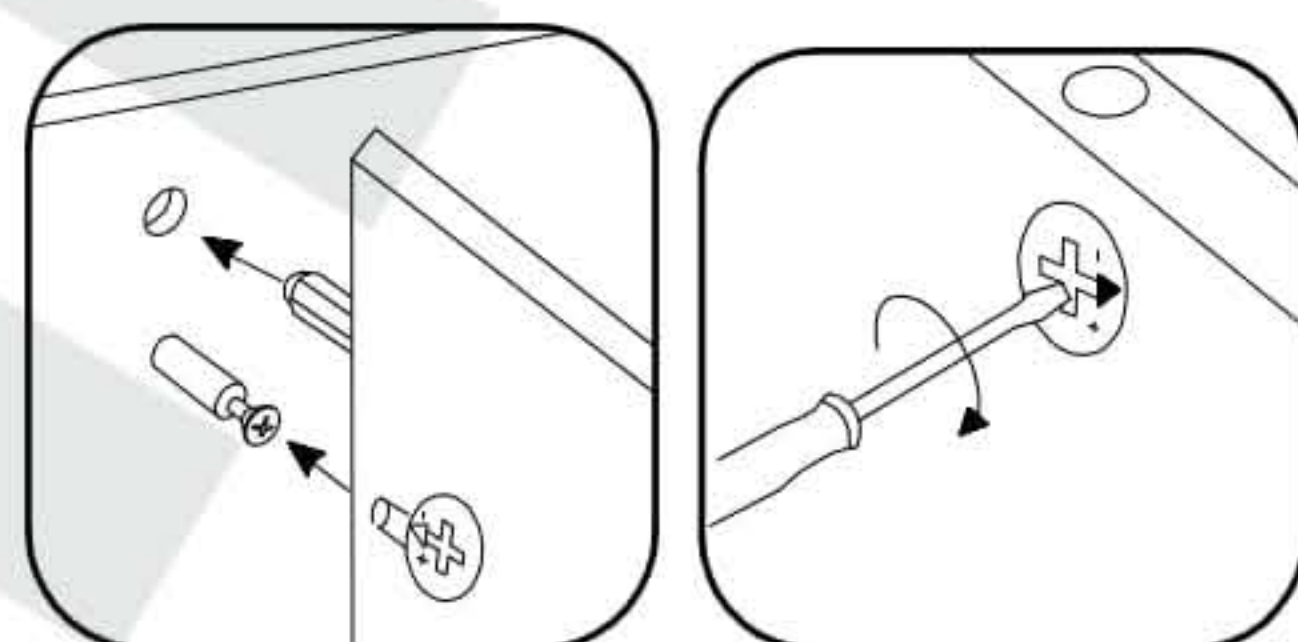
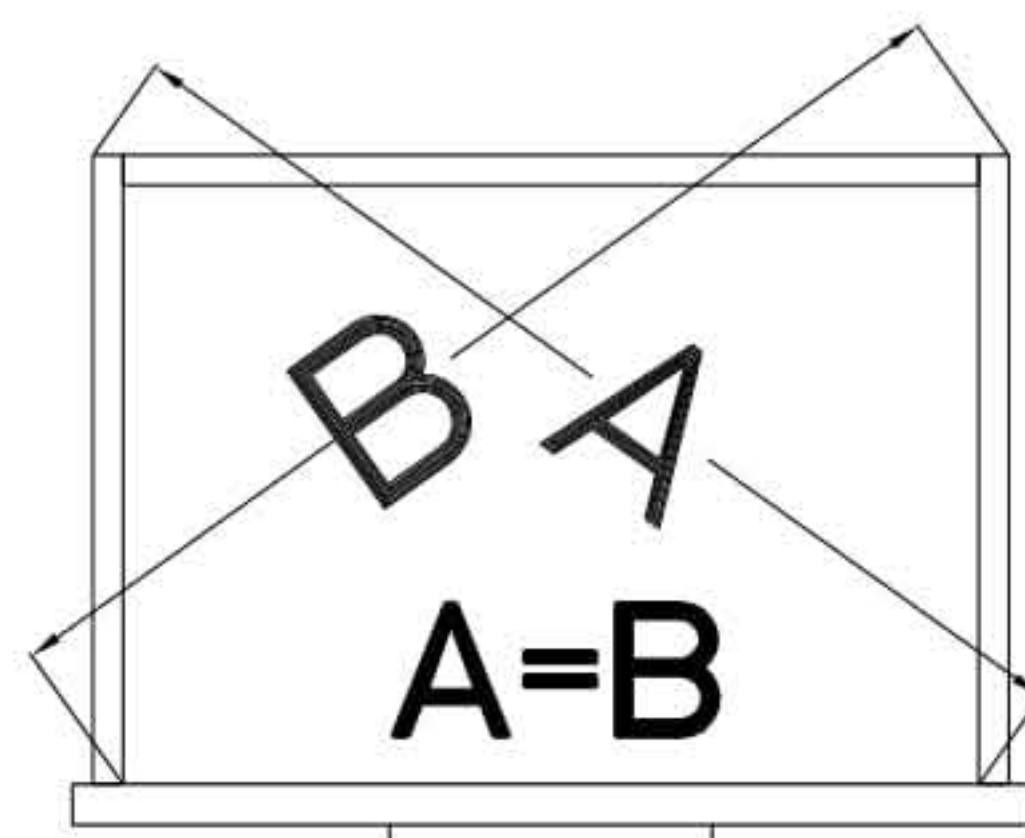
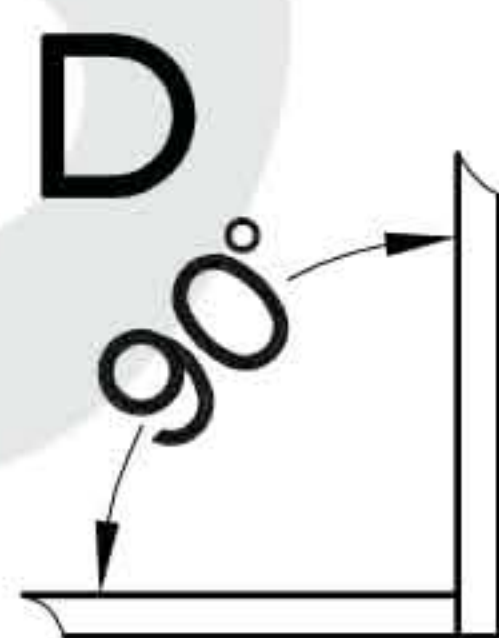
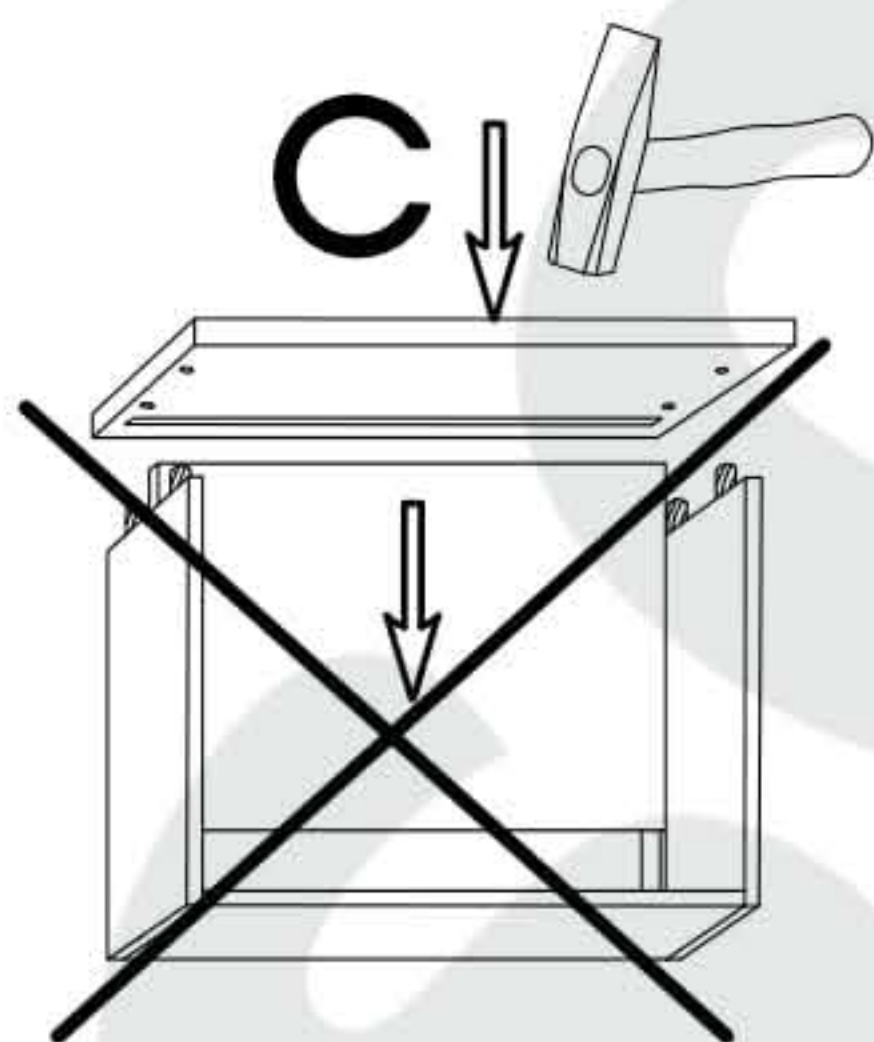
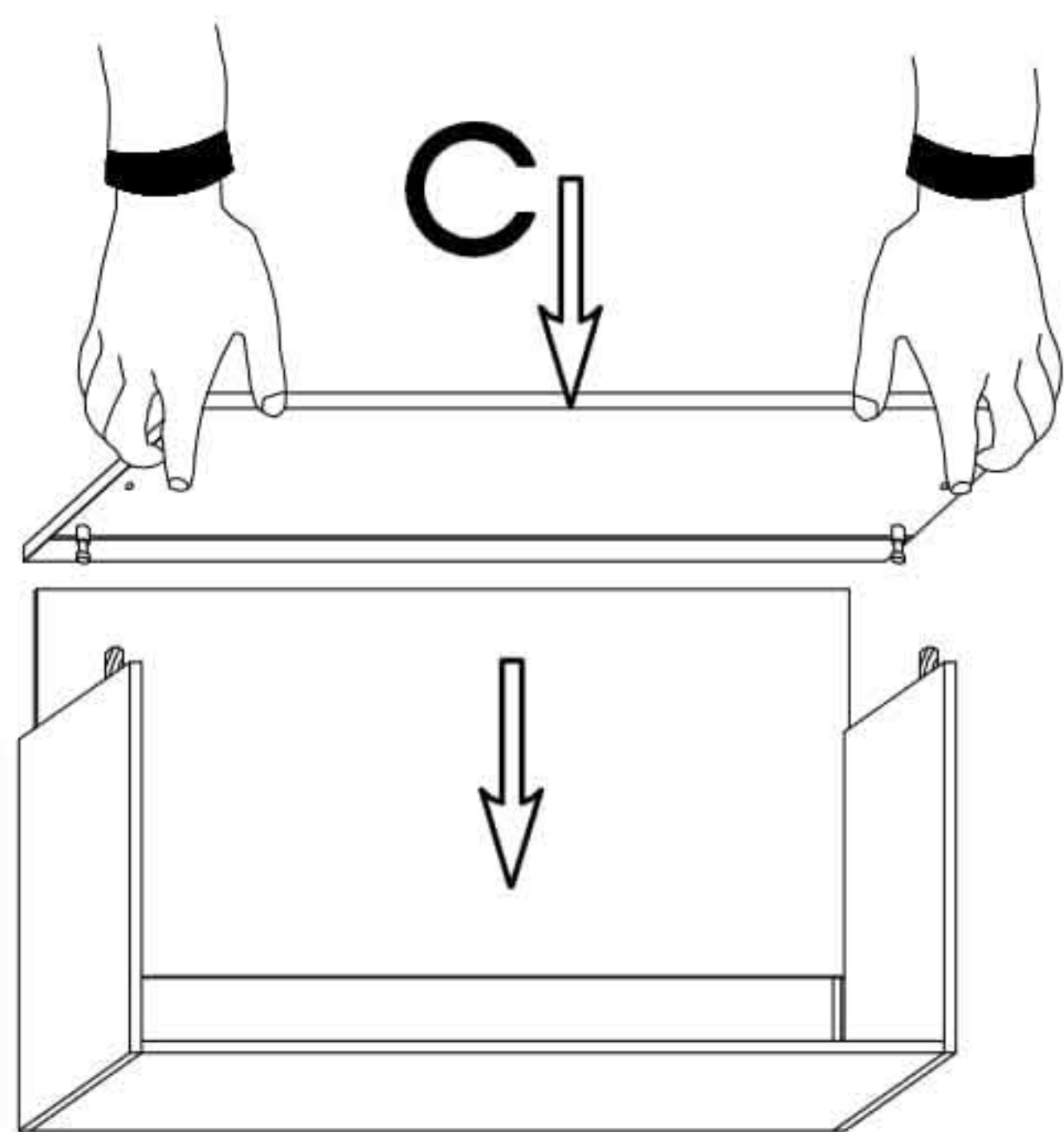
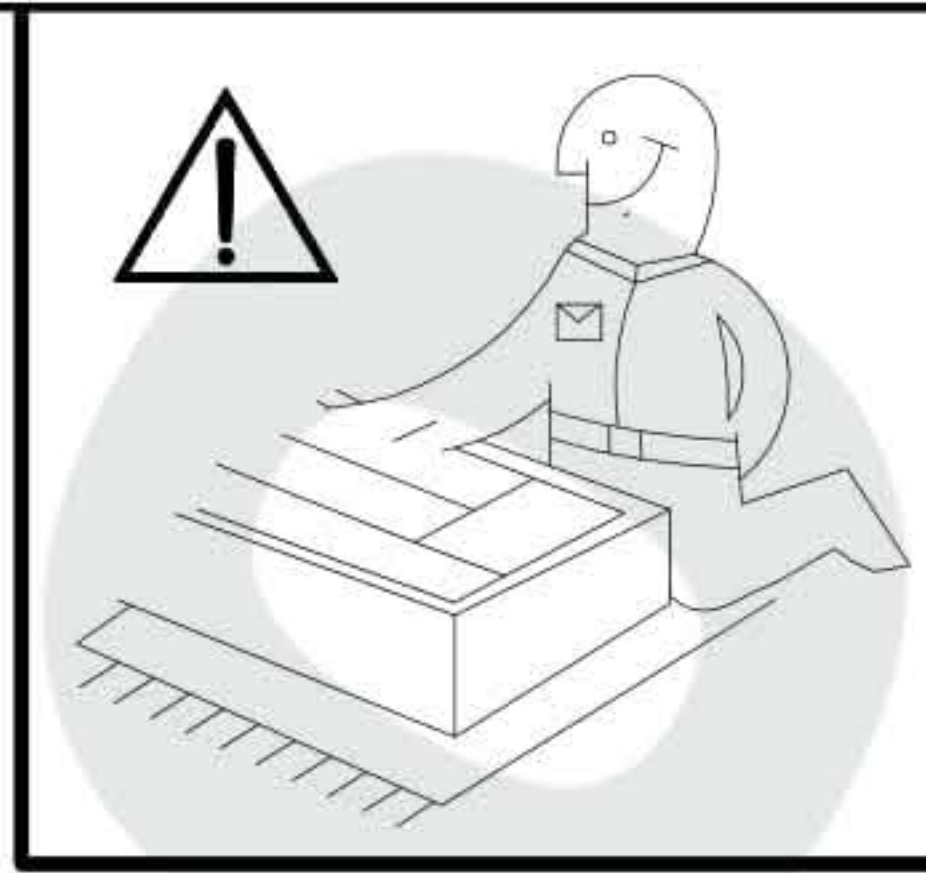
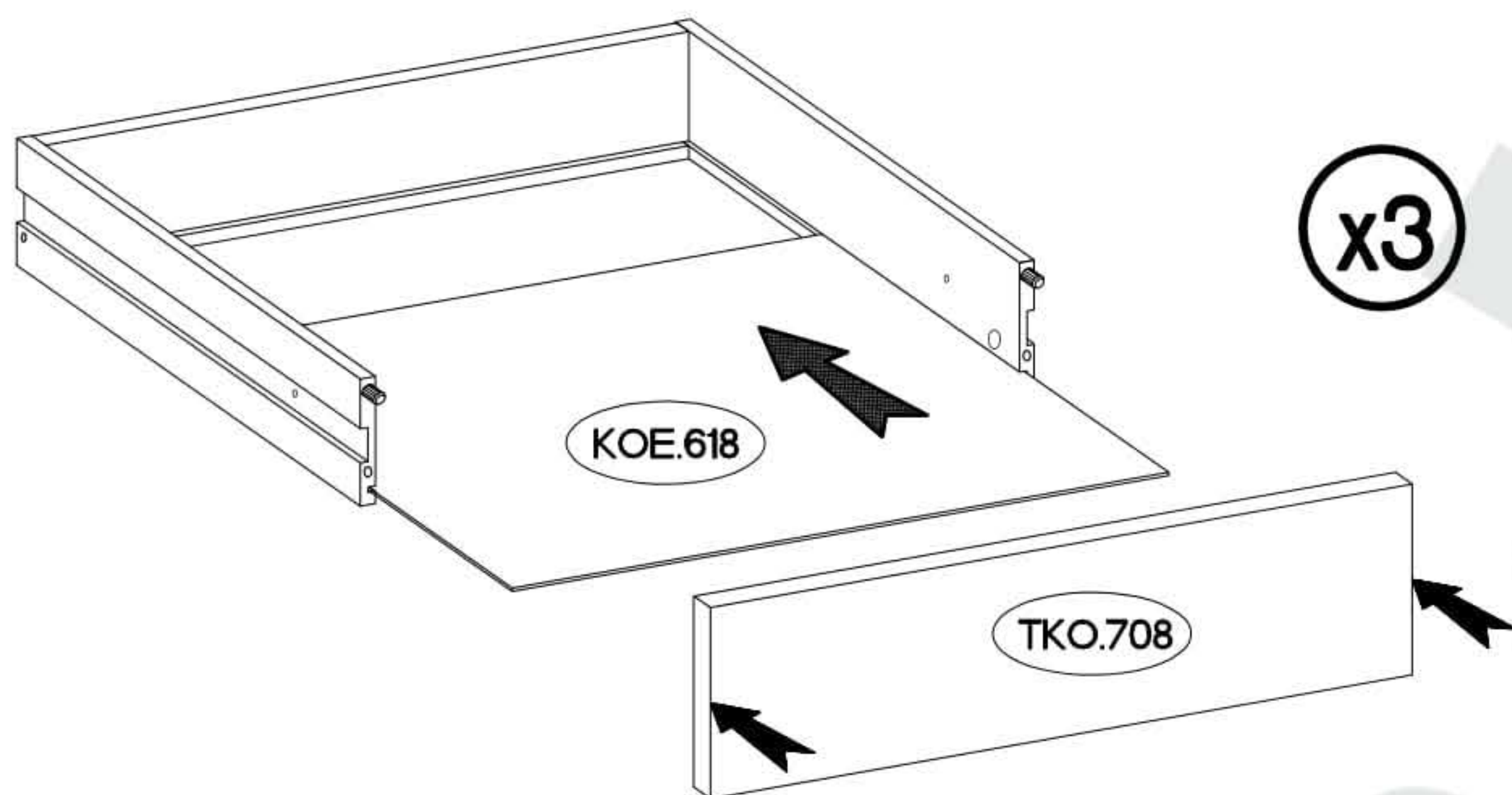
L=20mm  D2 6	 L33 3
---	--



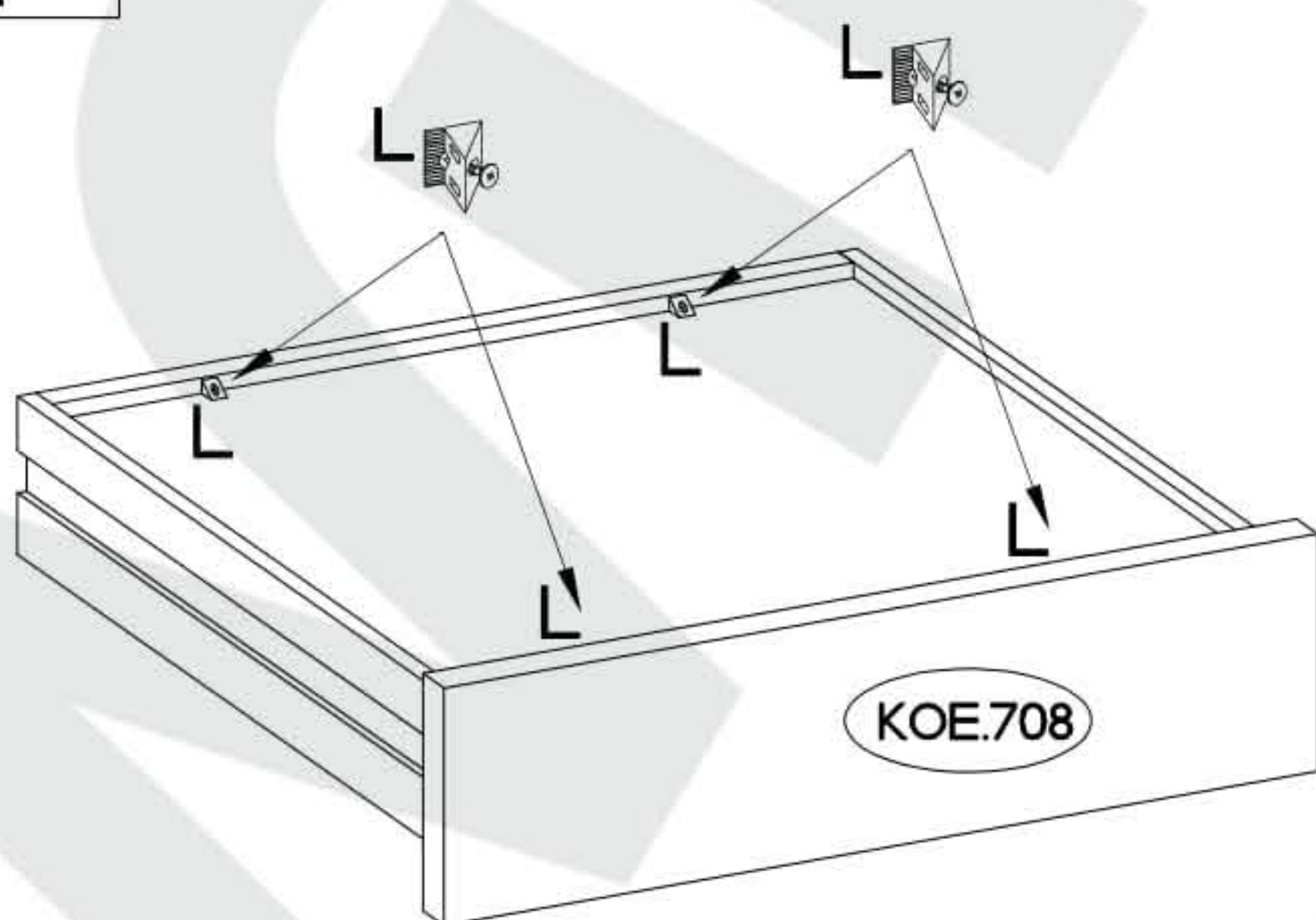
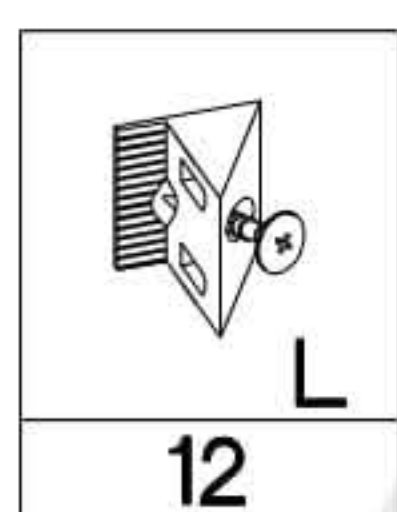
x3



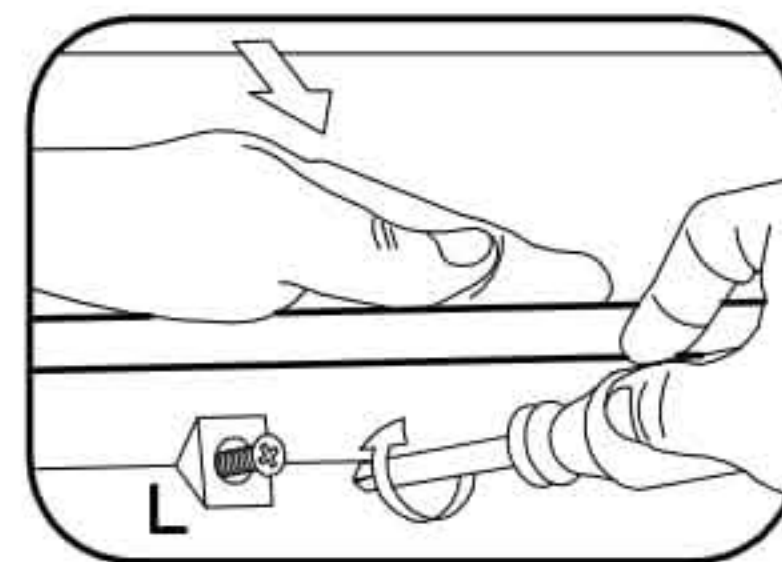
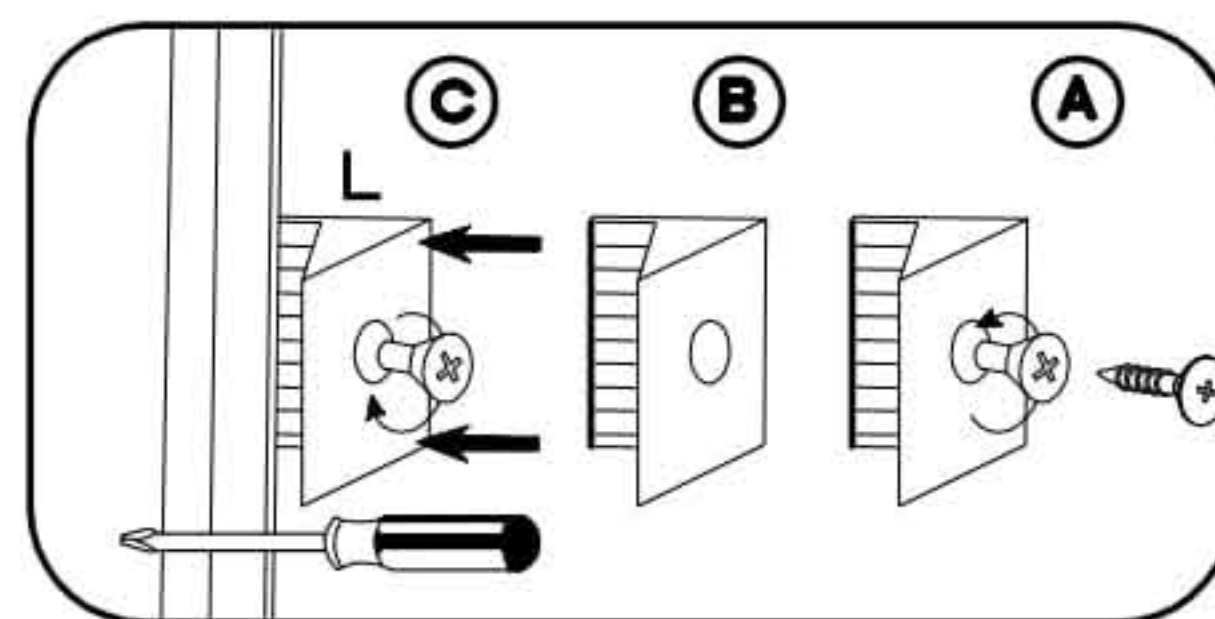
4




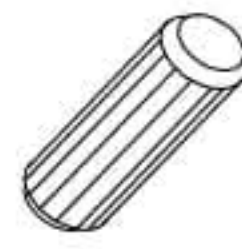
5

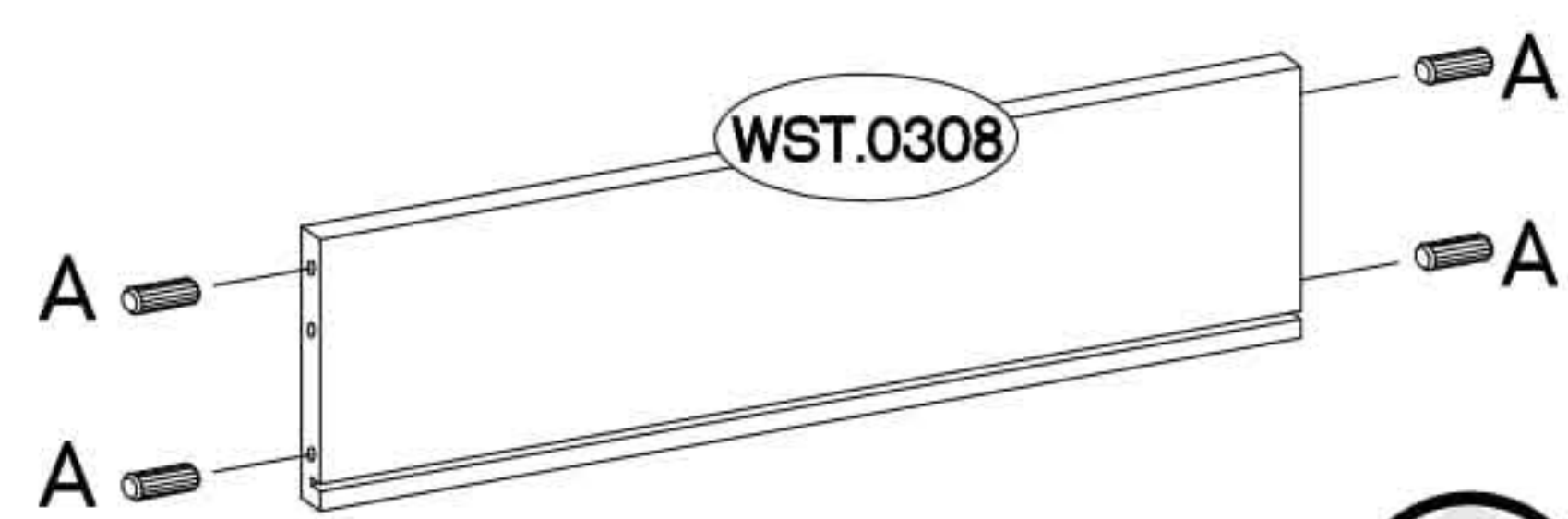


x3

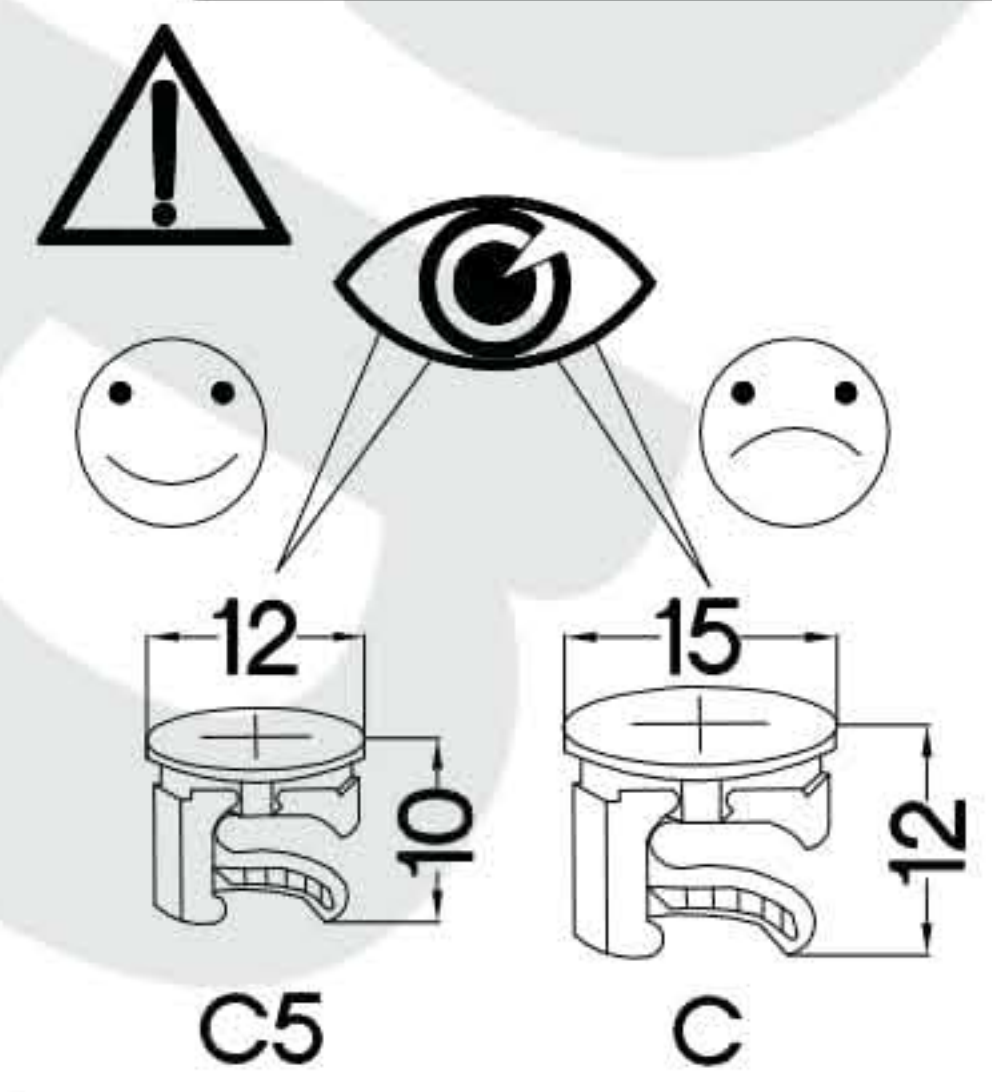
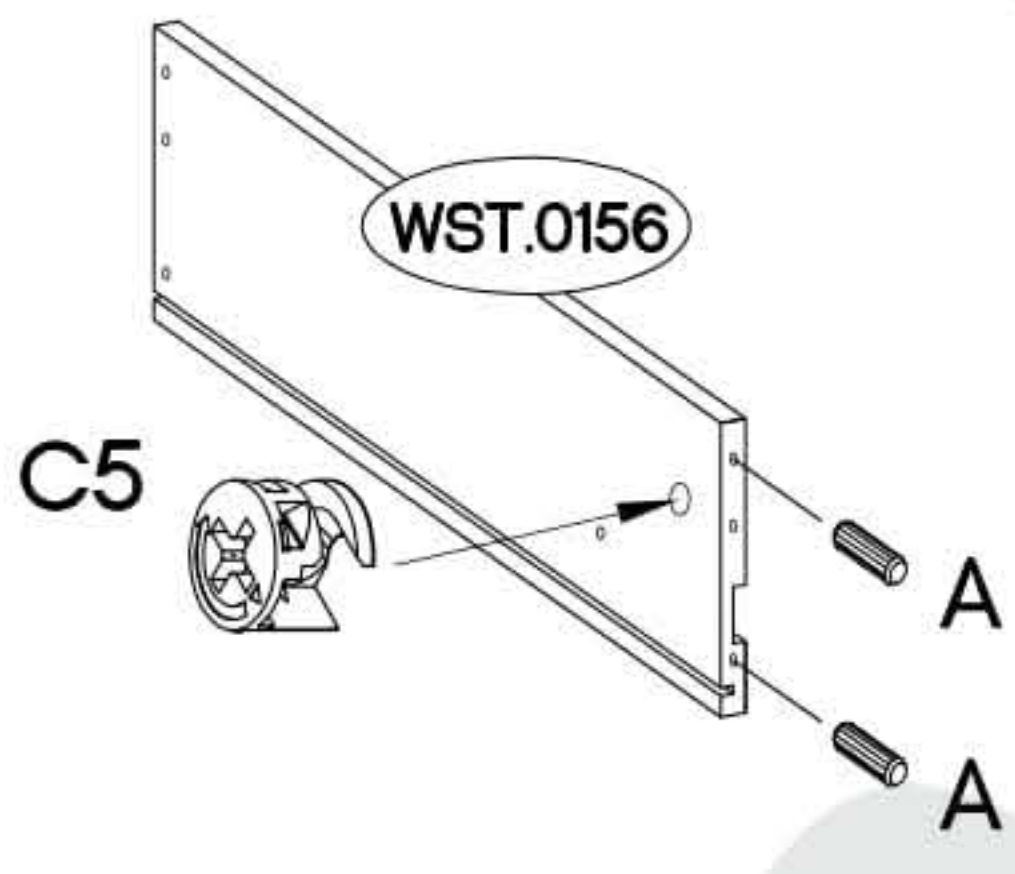
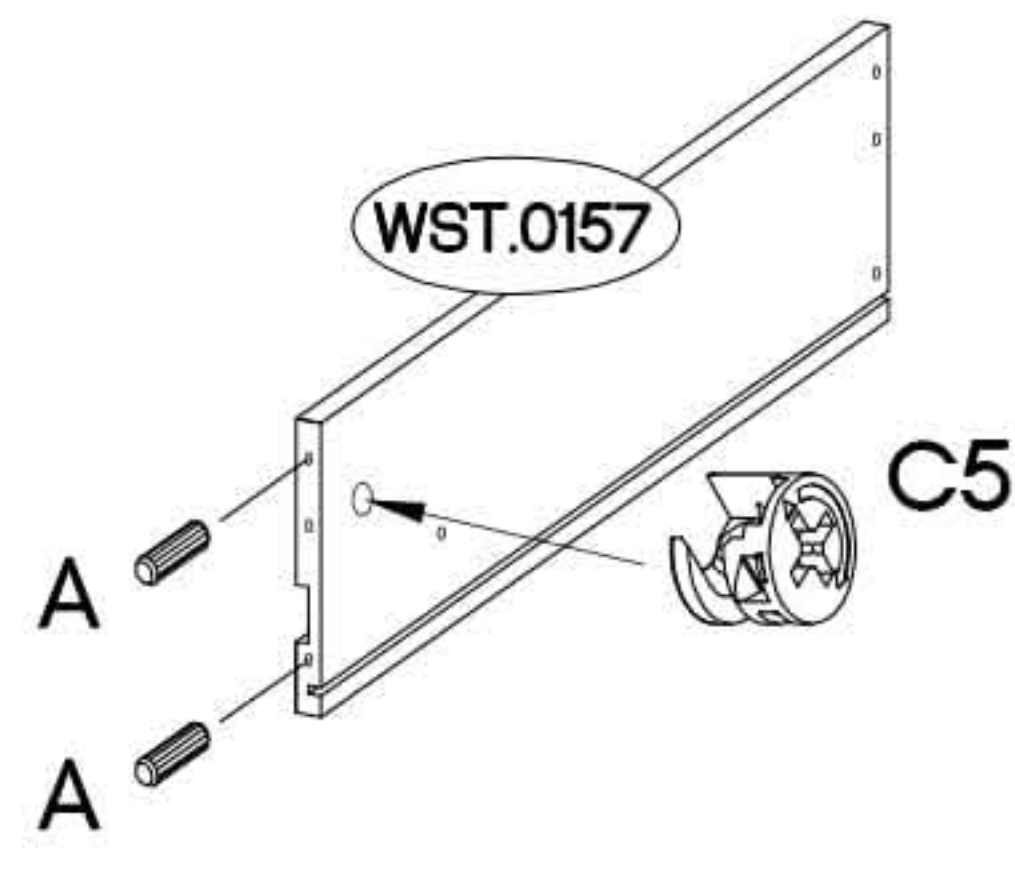


6

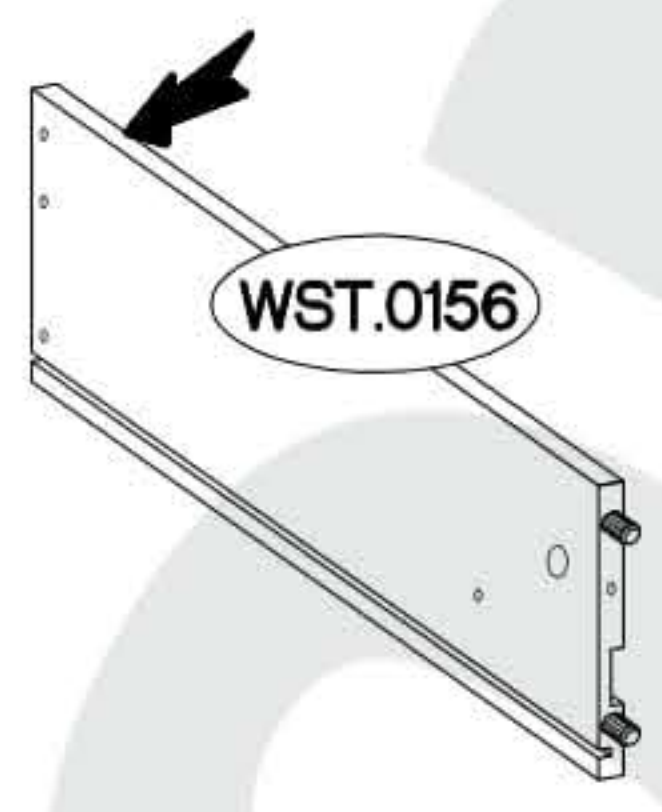
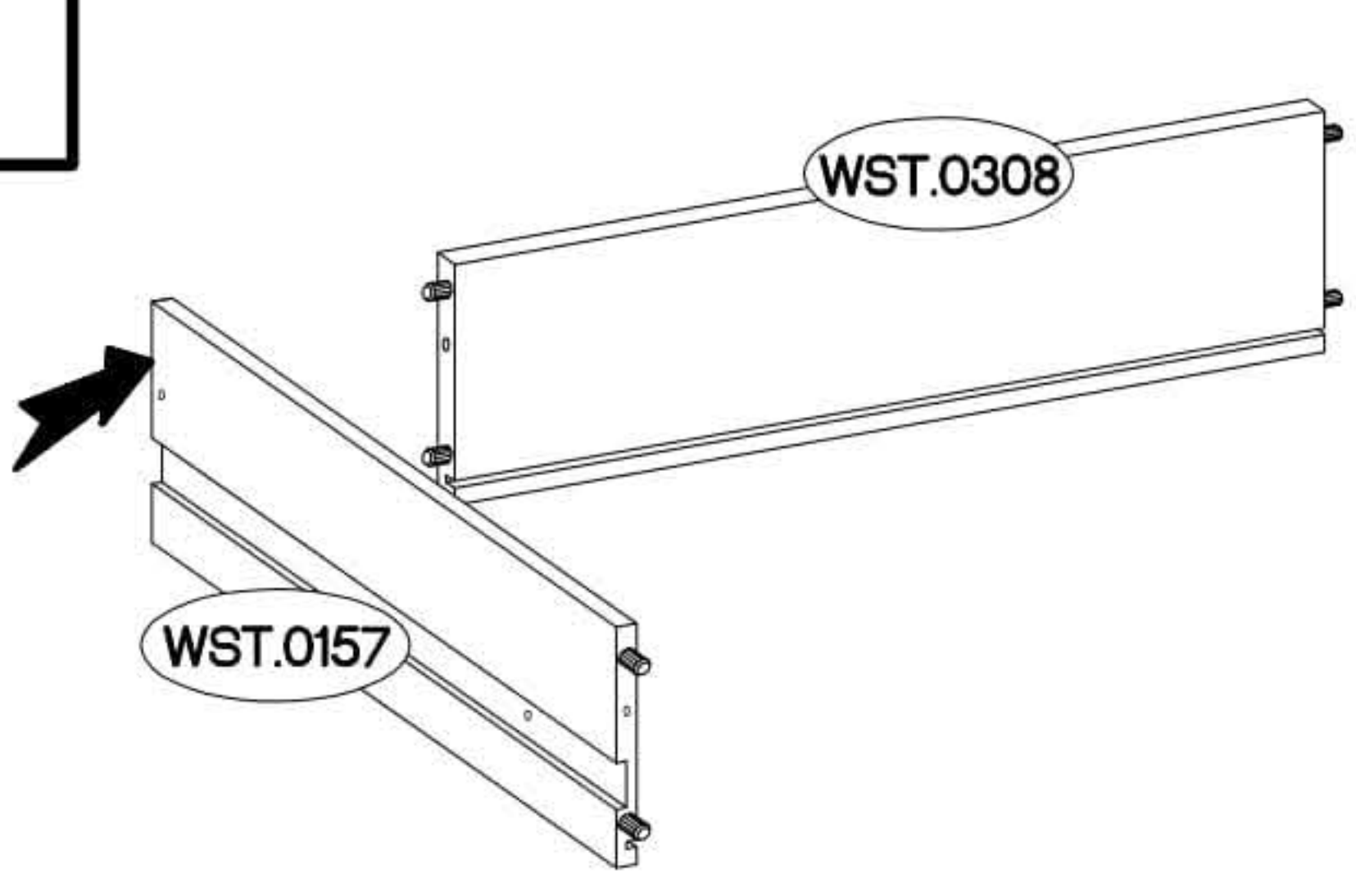
±12/10mm  C5 6	±8x30mm  A 24
---	--




x3

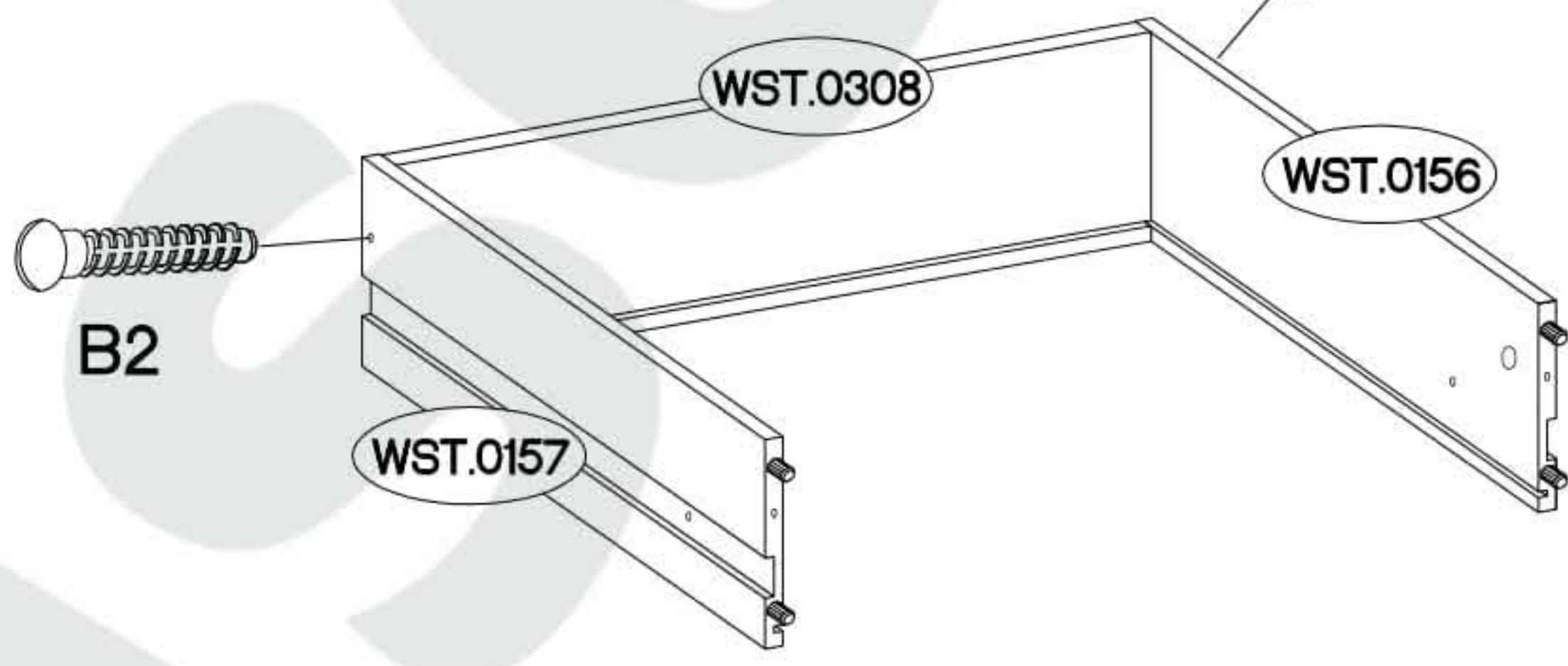
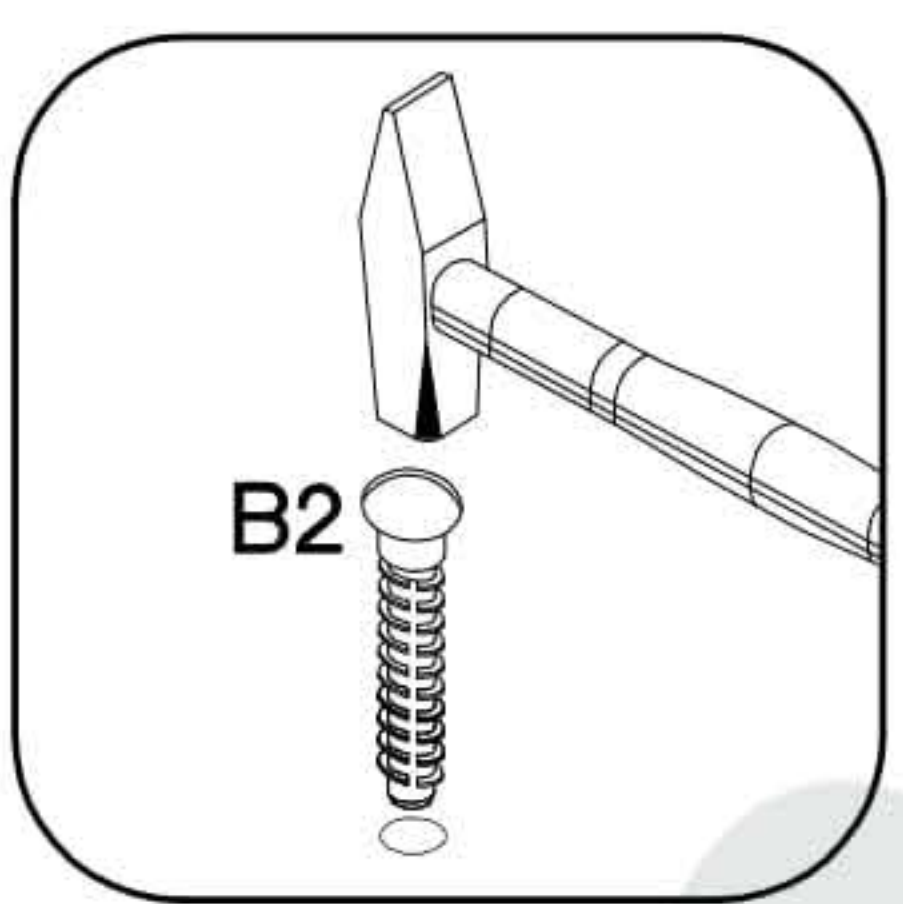


7





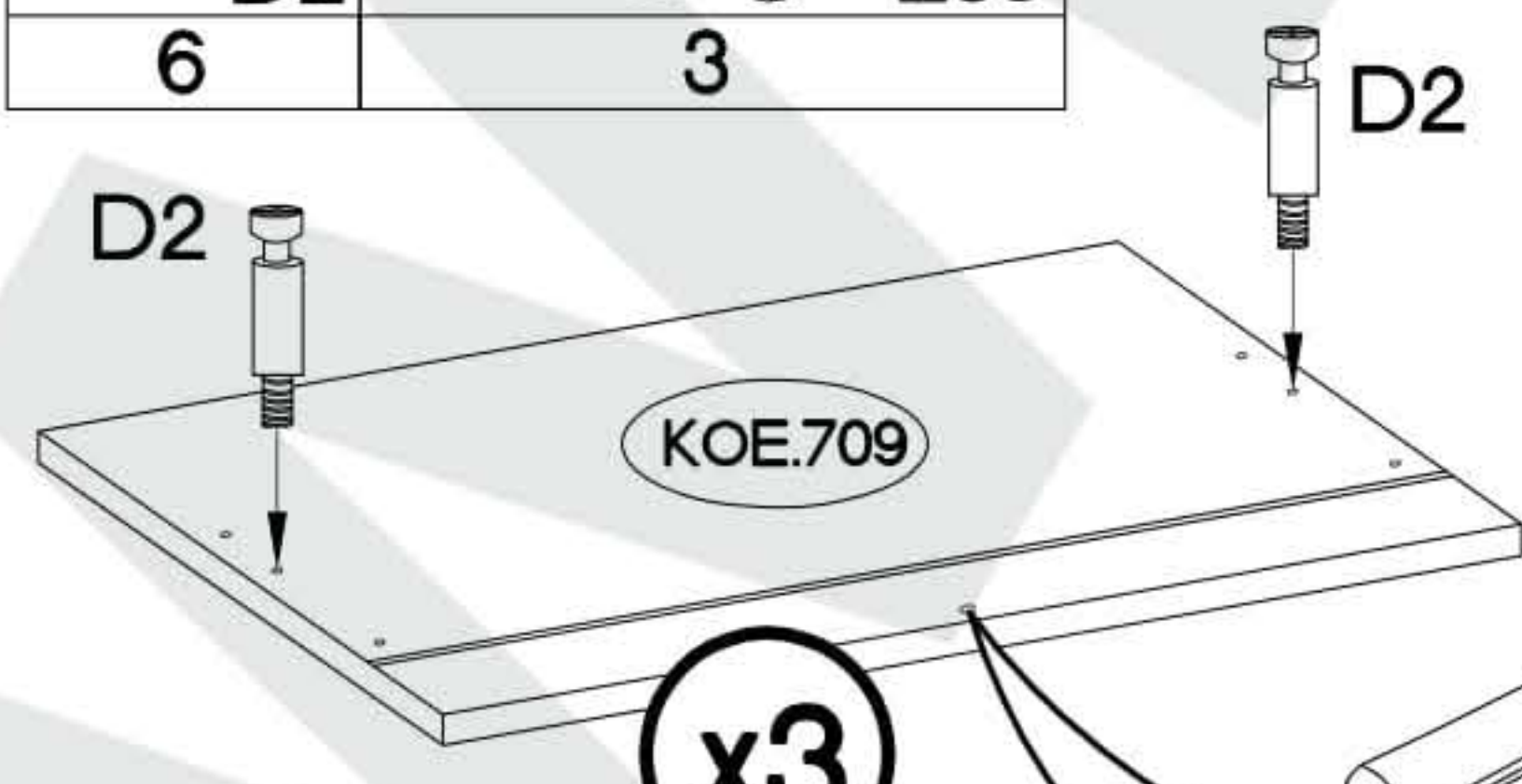
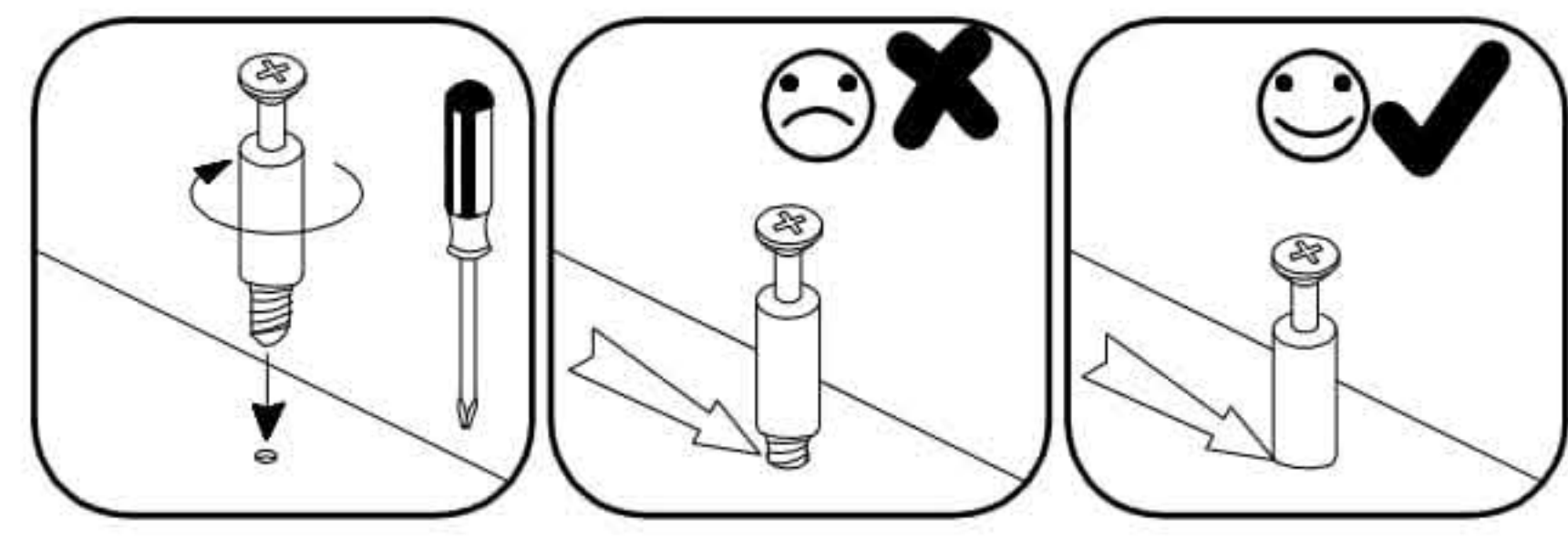
±6x42mm  B2 6

x3

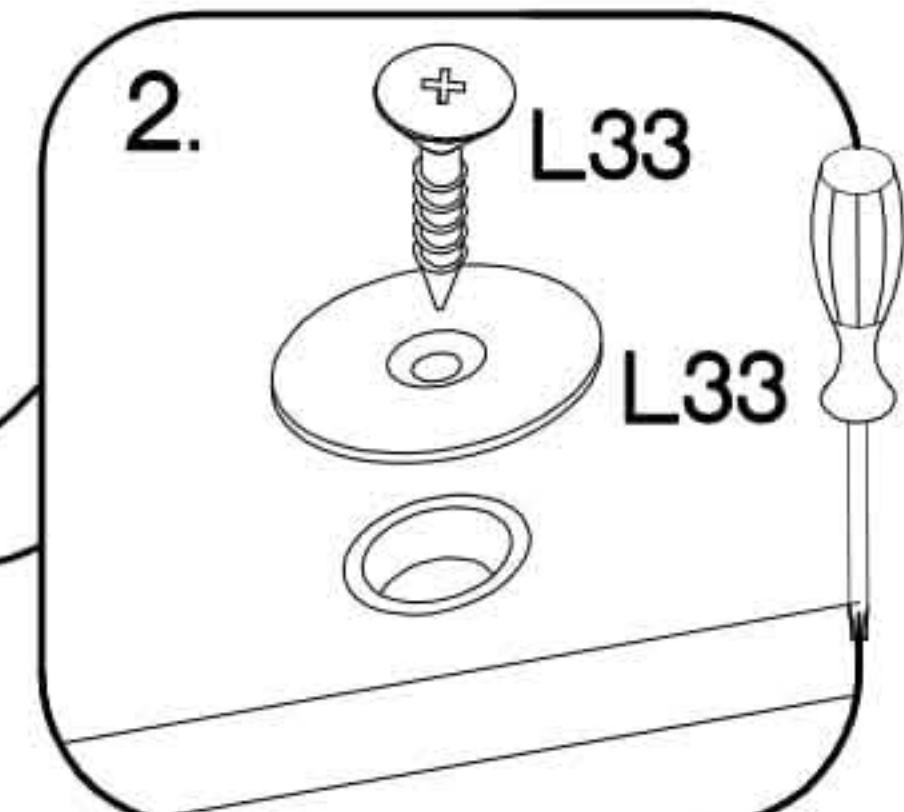
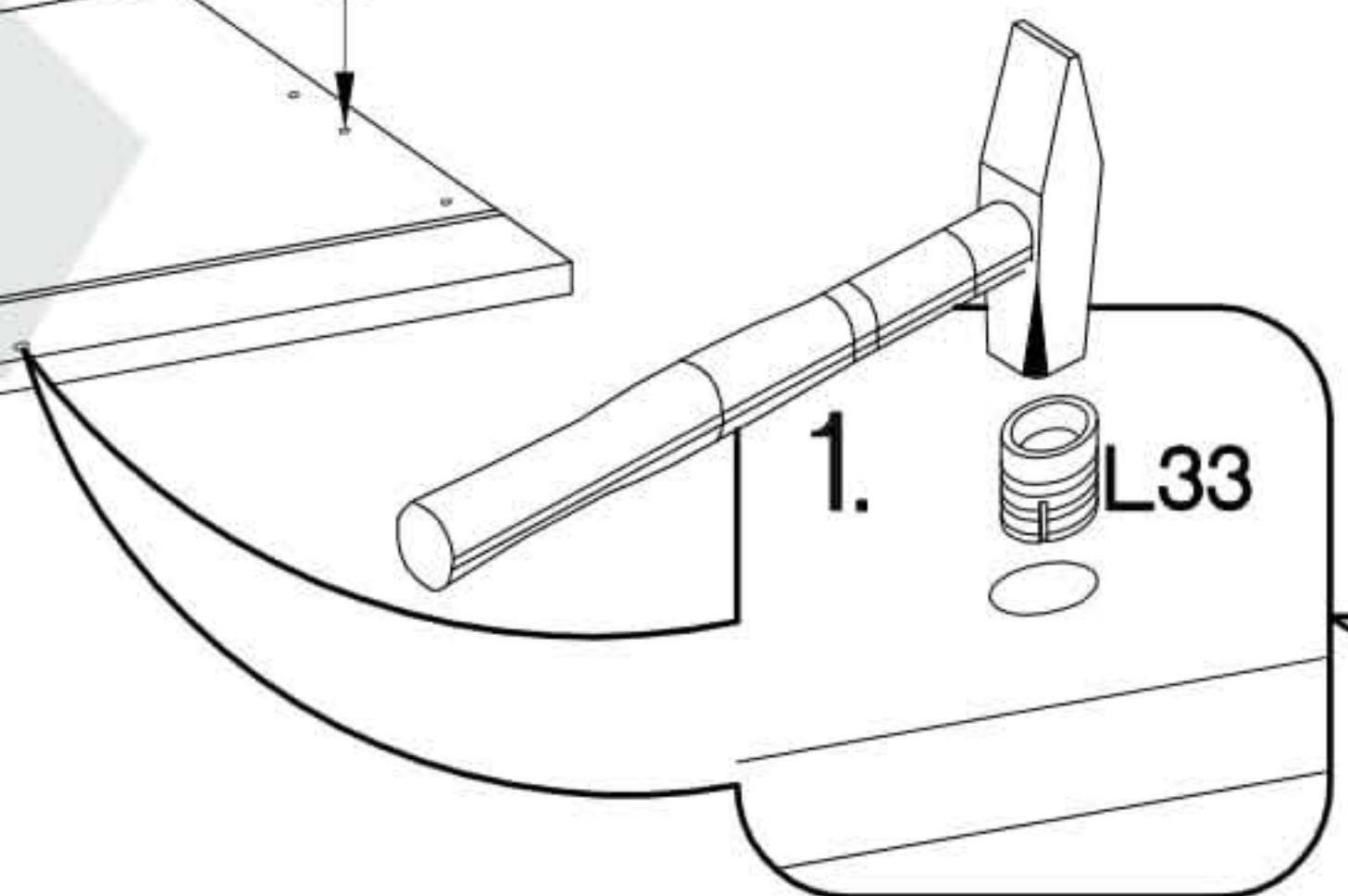


8

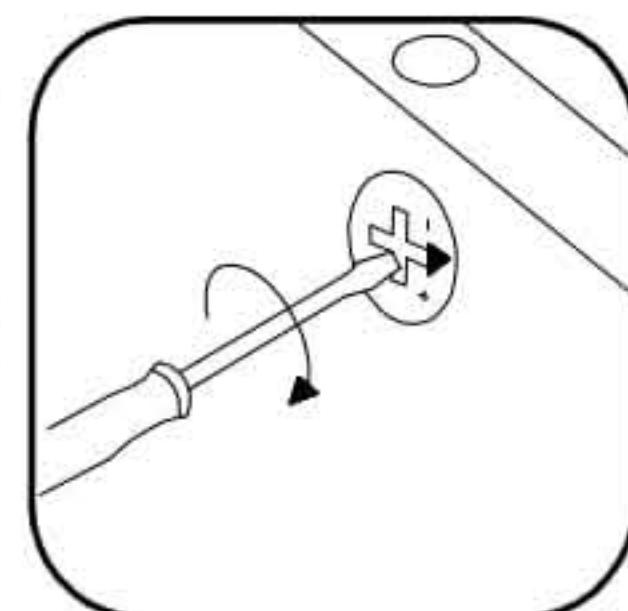
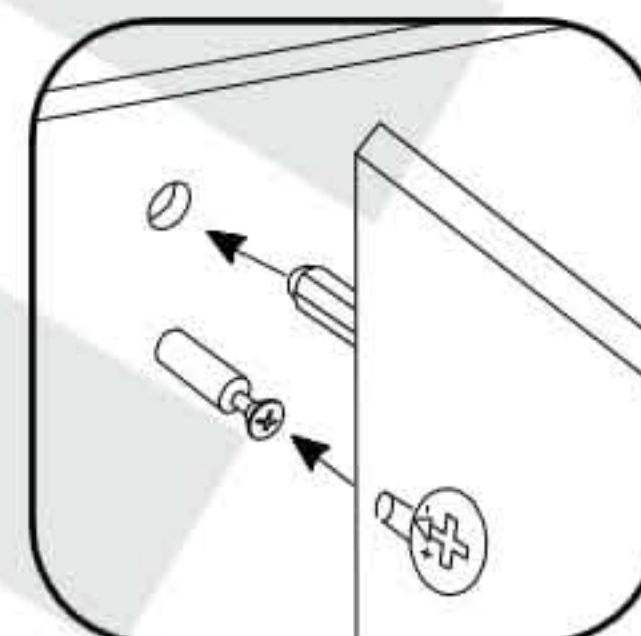
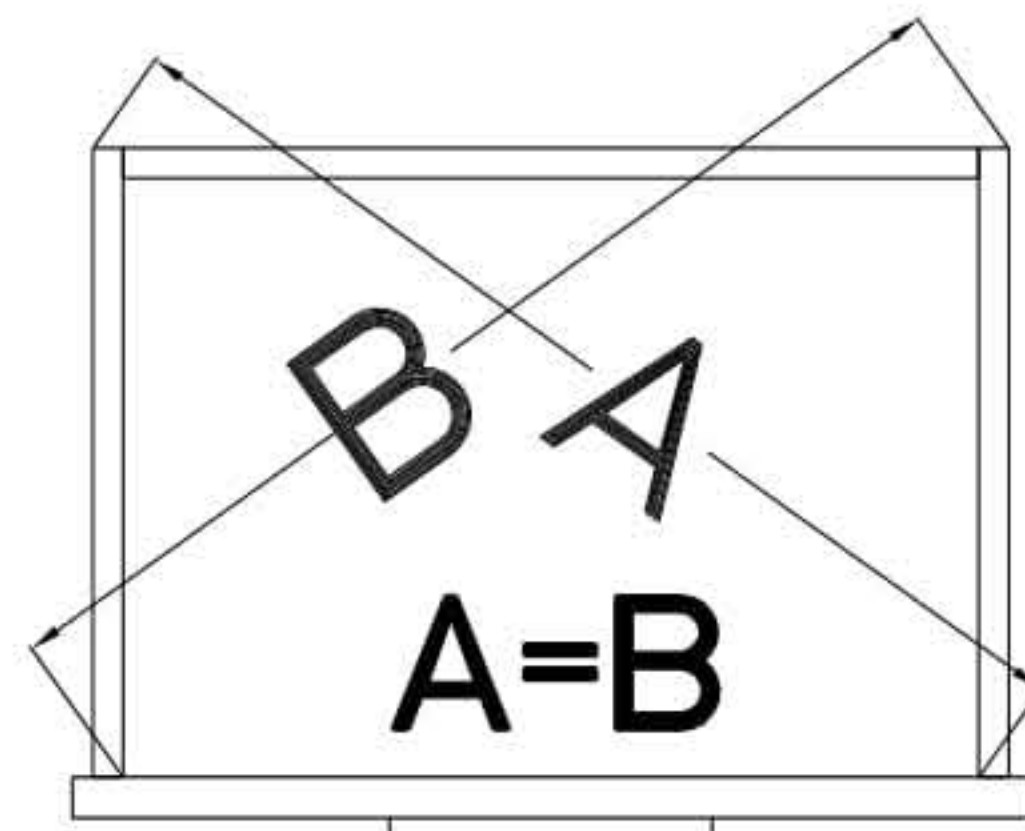
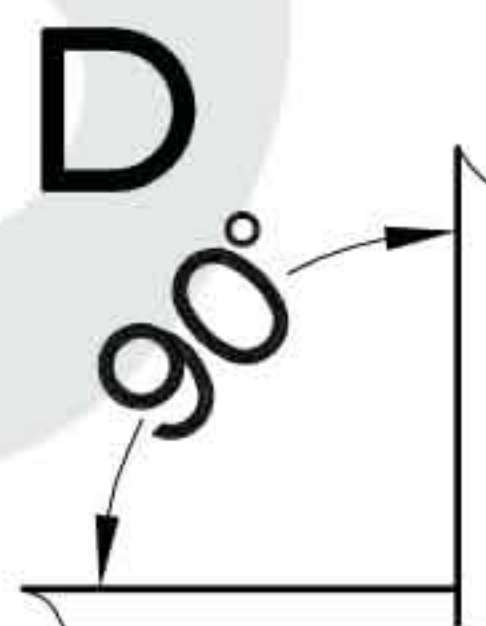
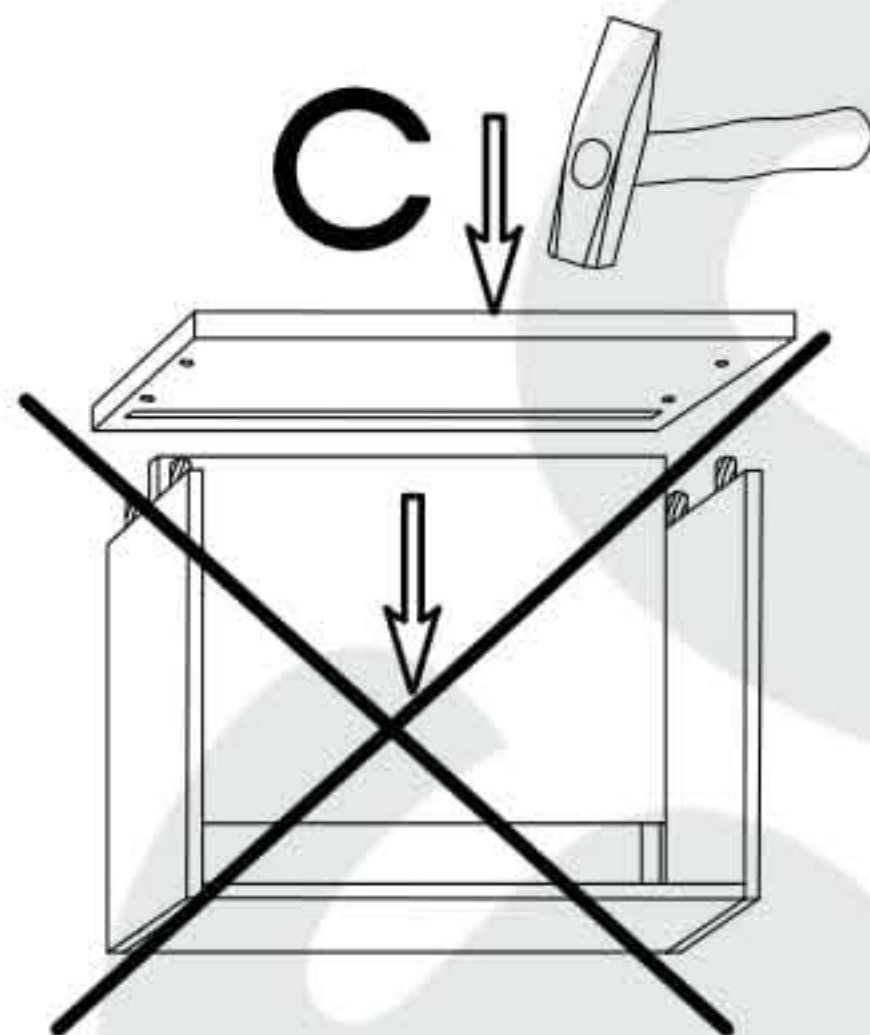
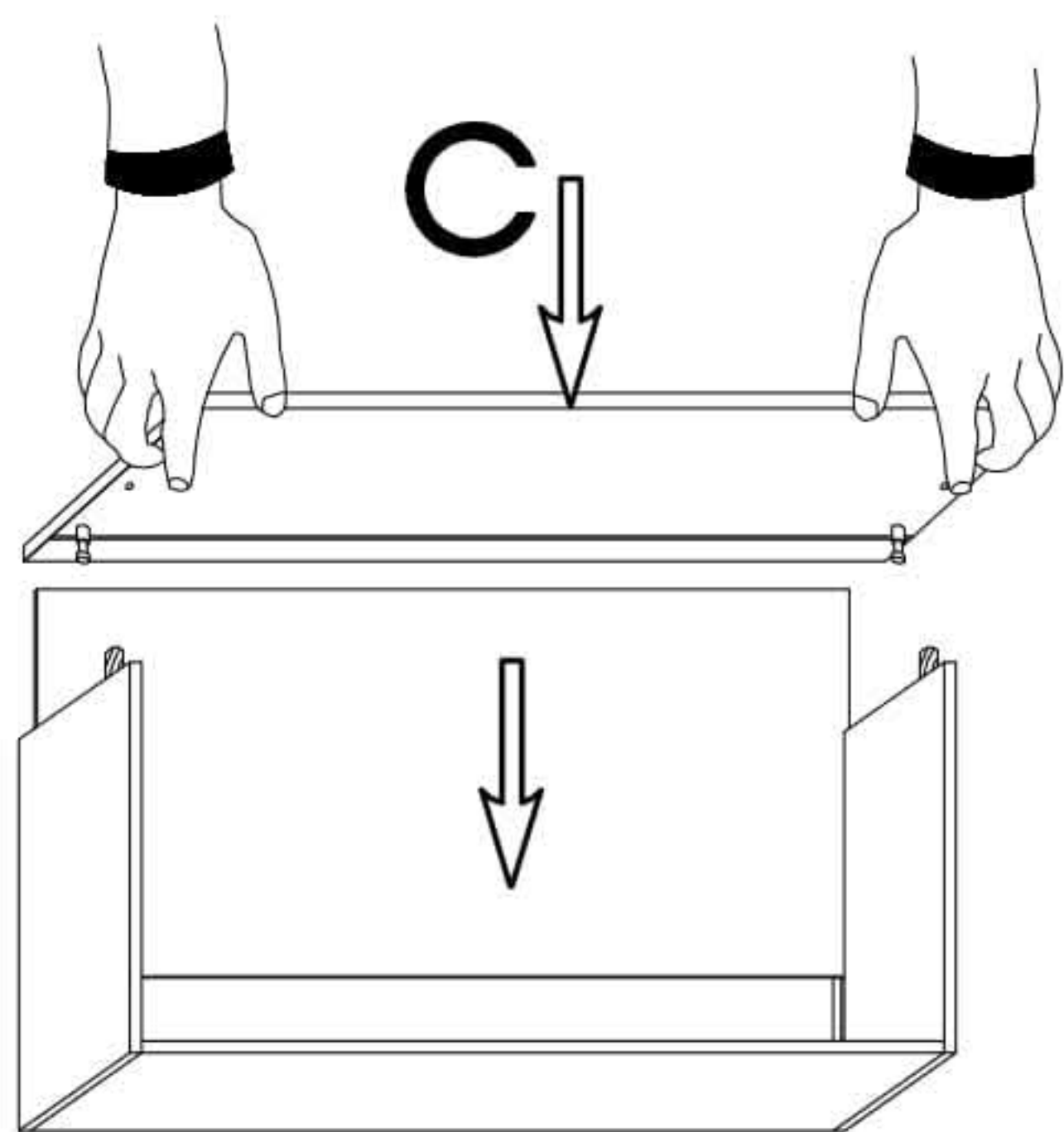
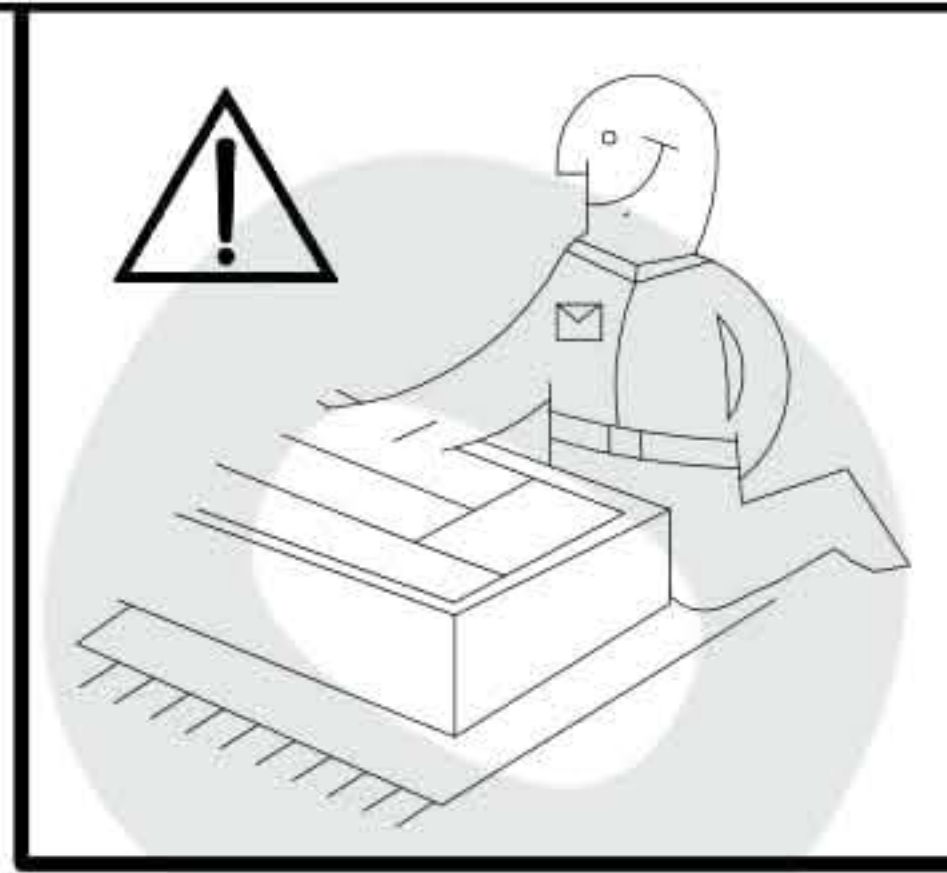
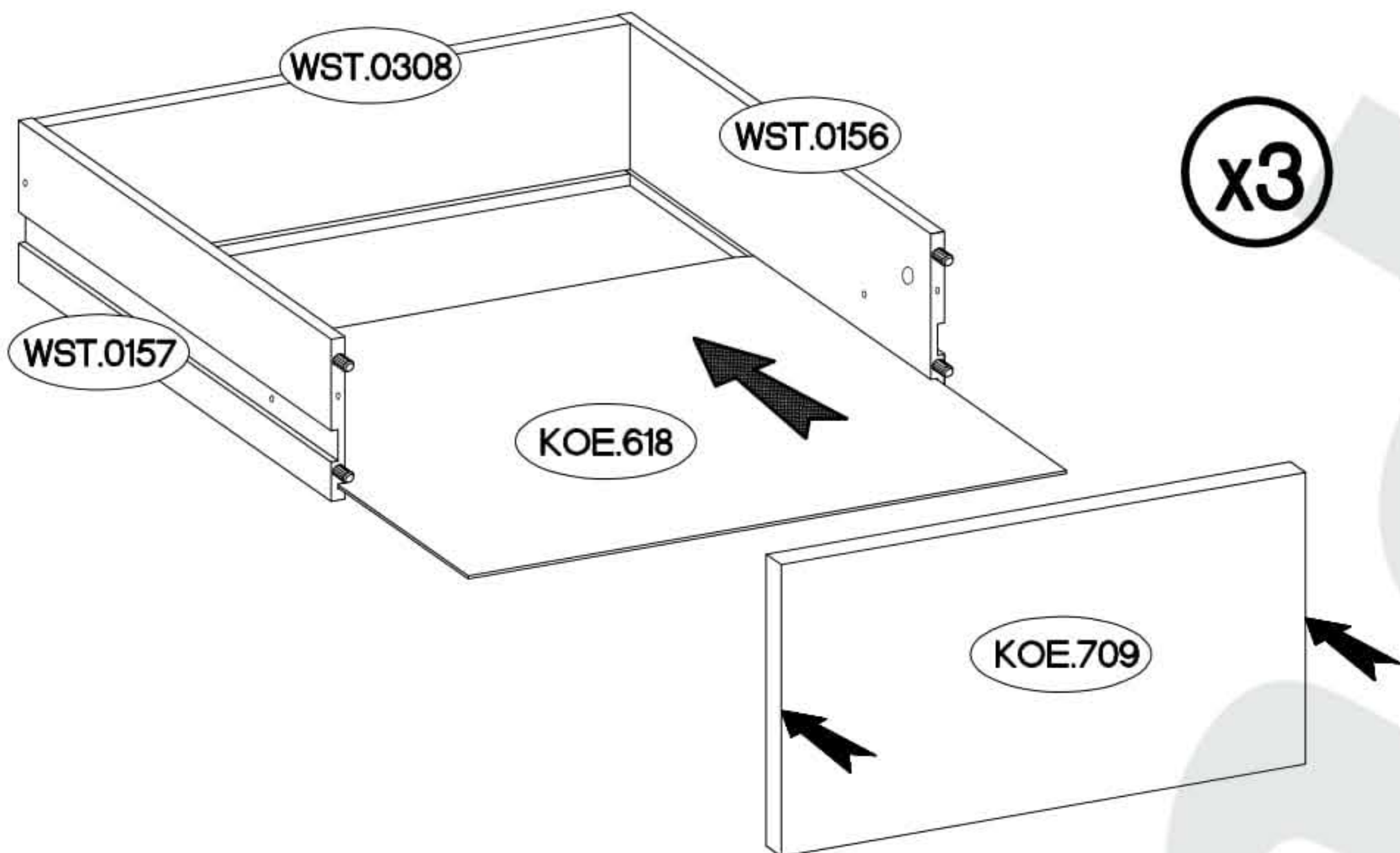
L=20mm  D2 6	 L33 3
--	---



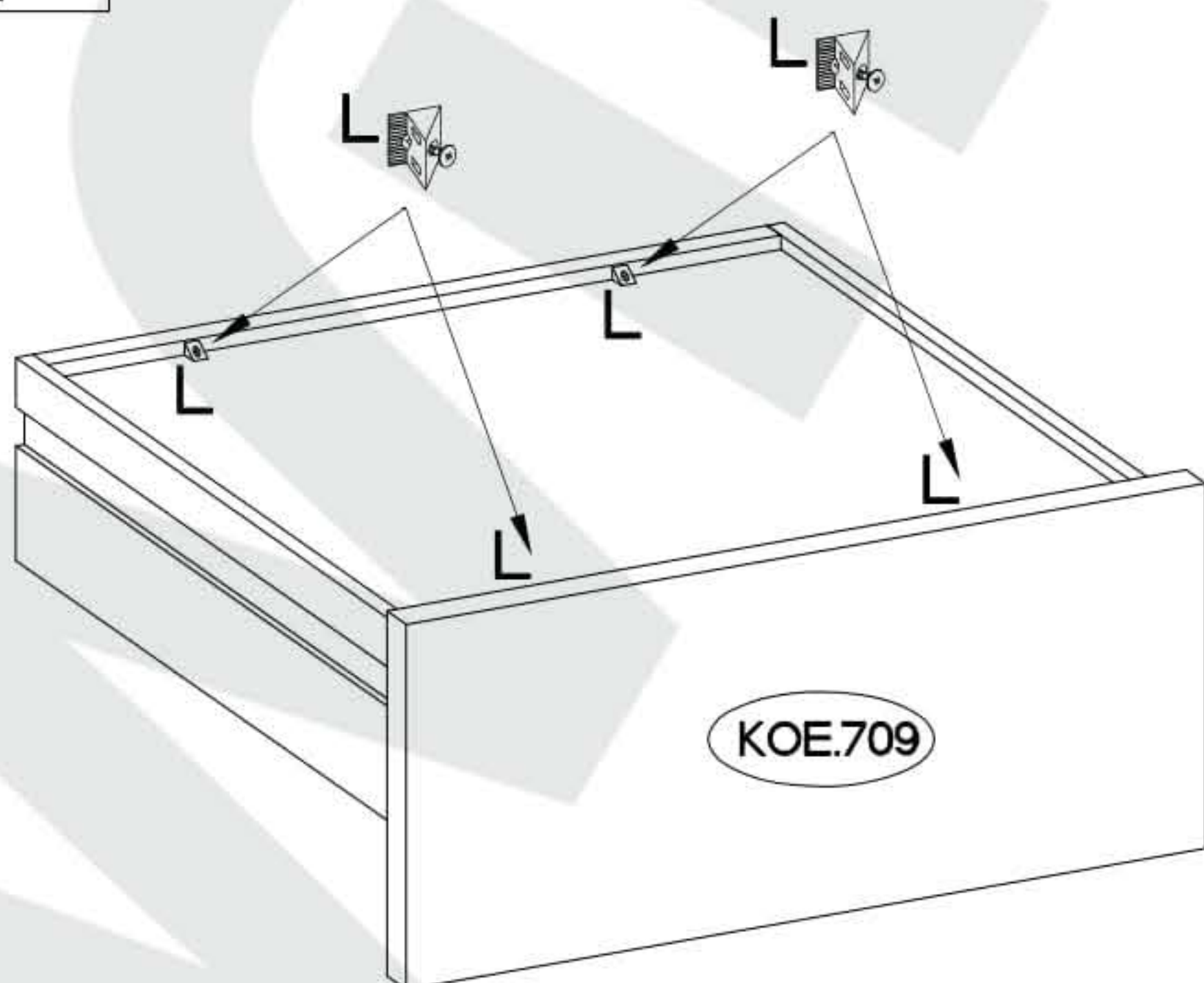
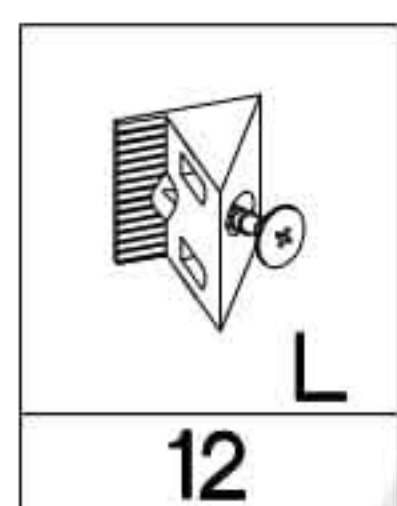
x3



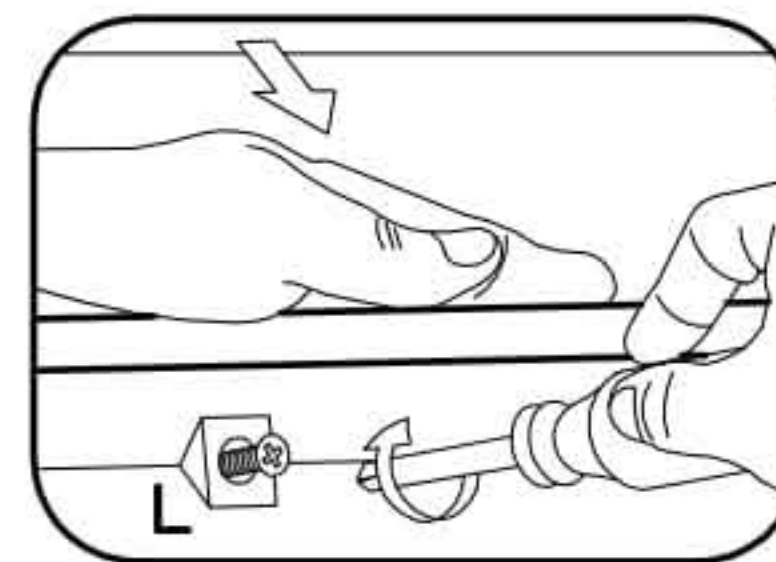
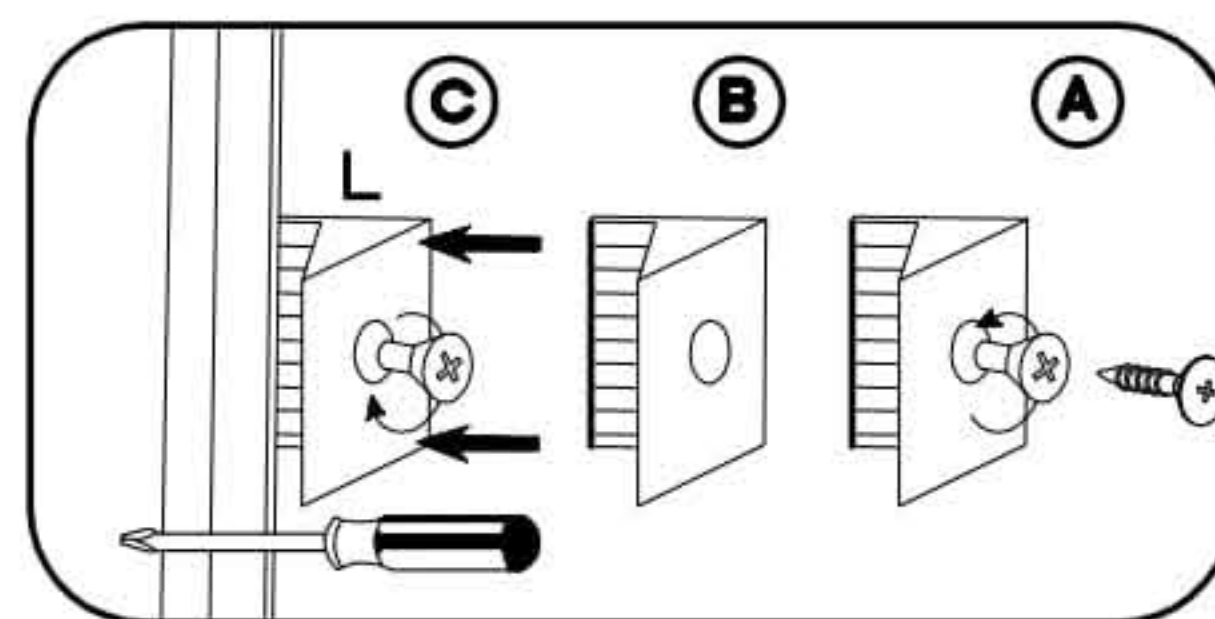
9



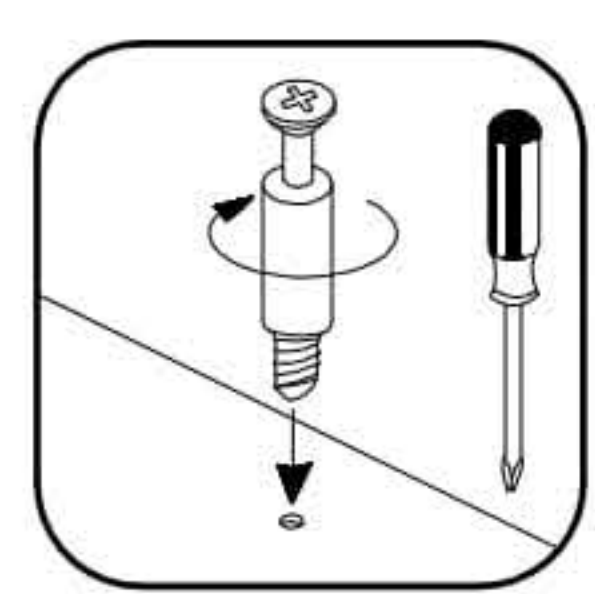
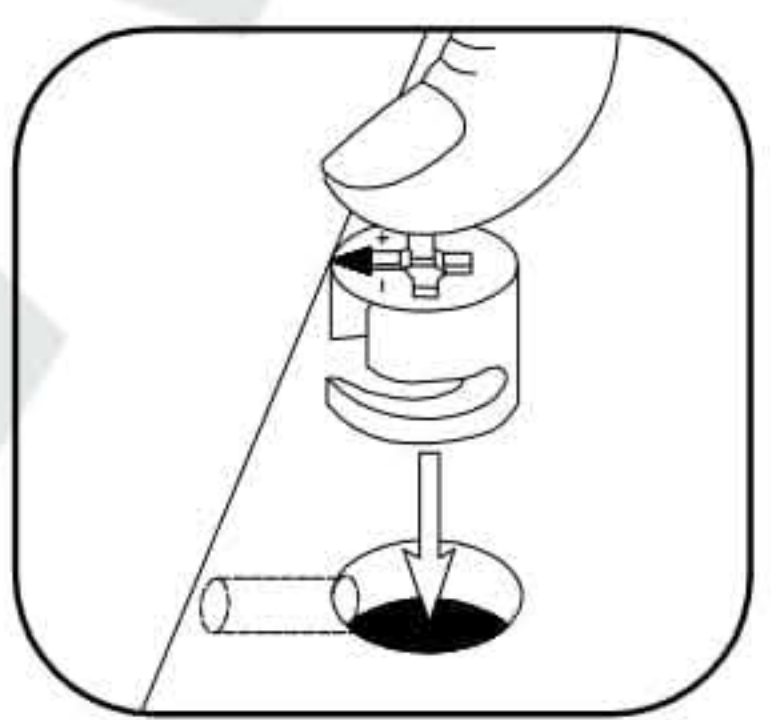
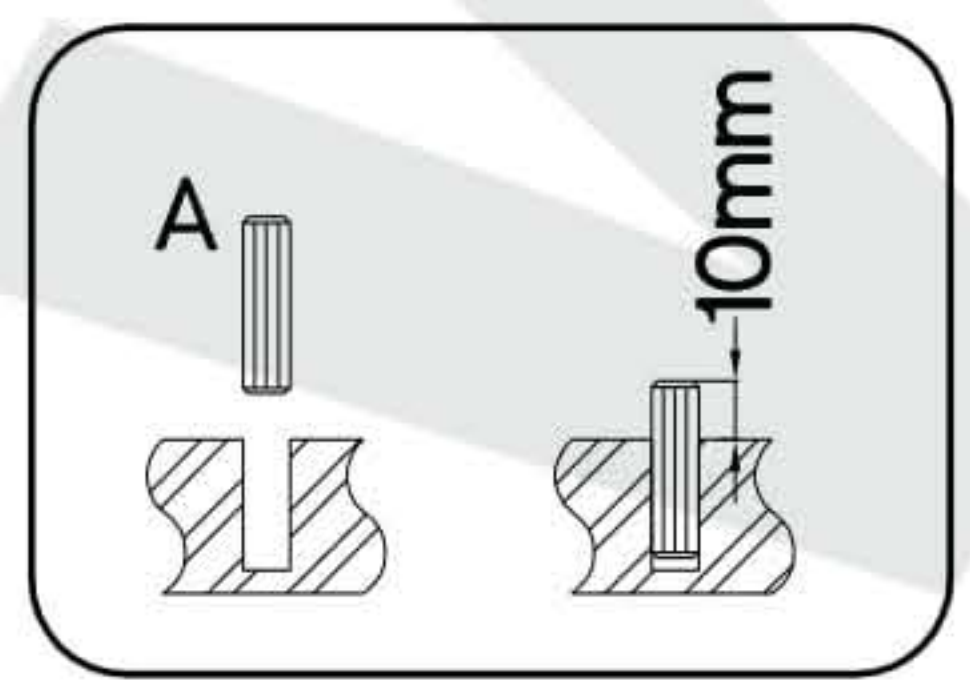
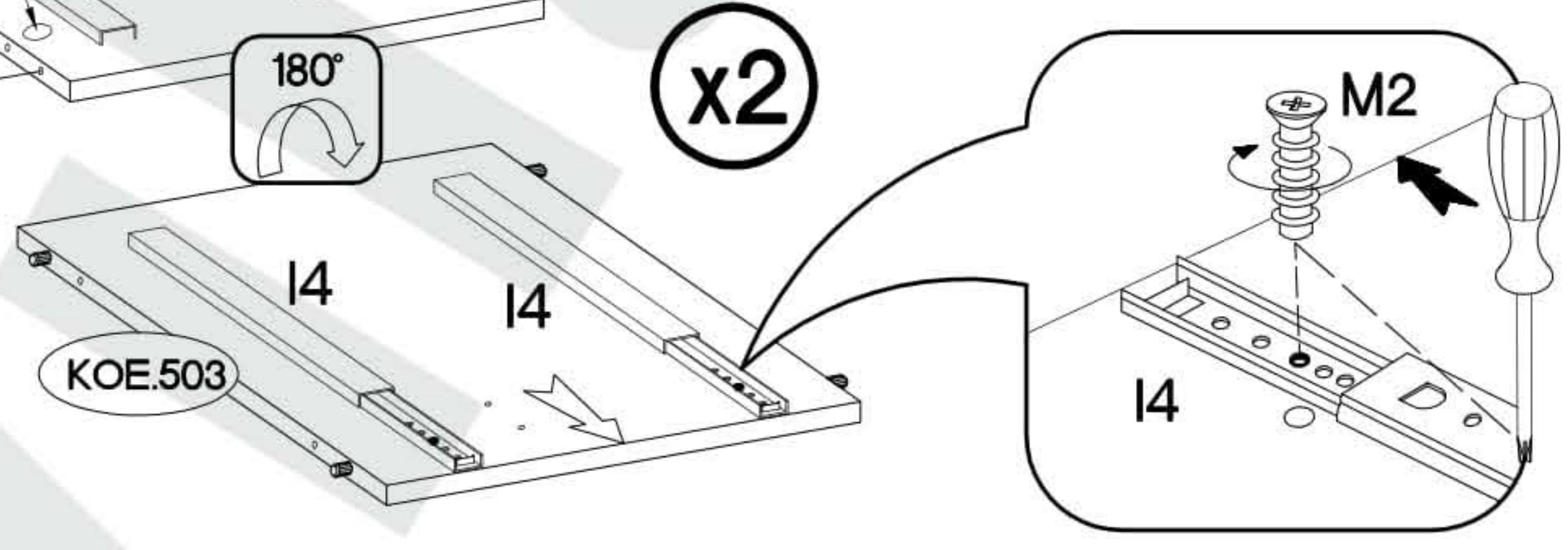
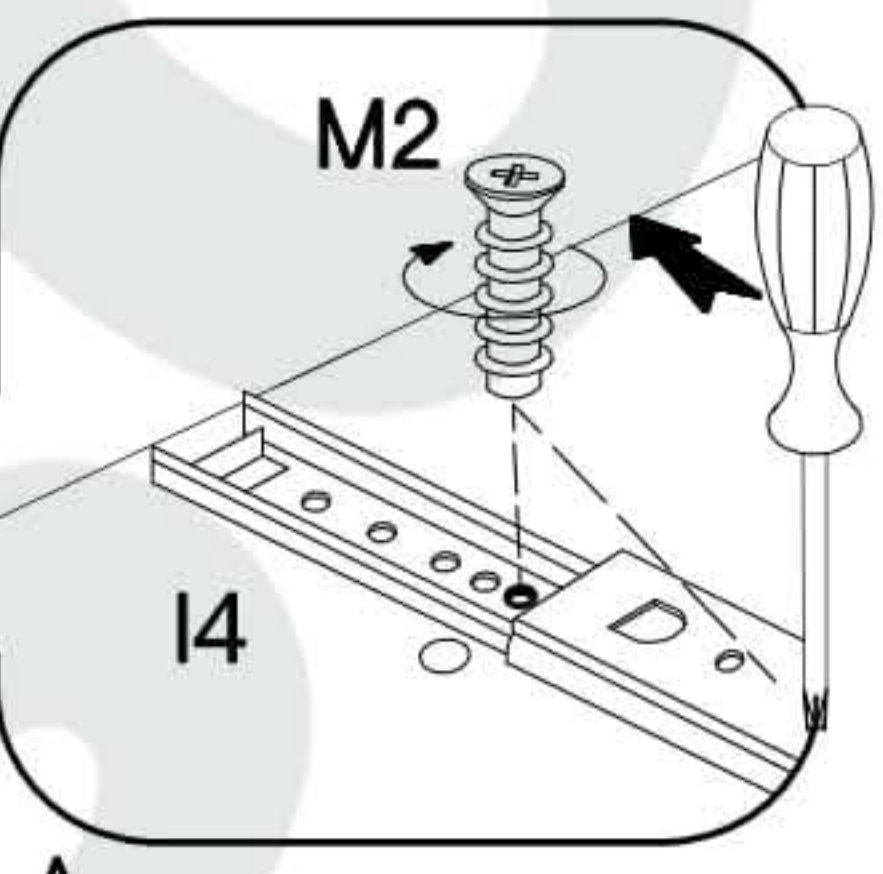
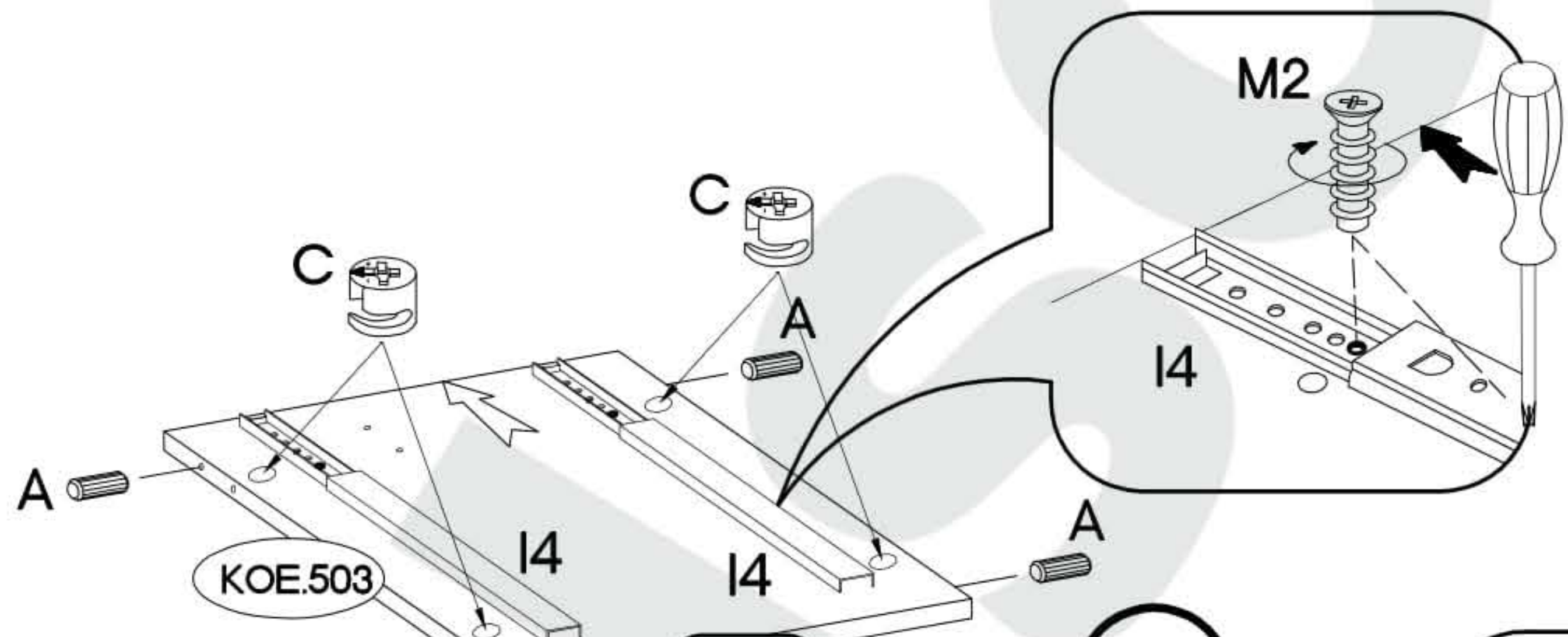
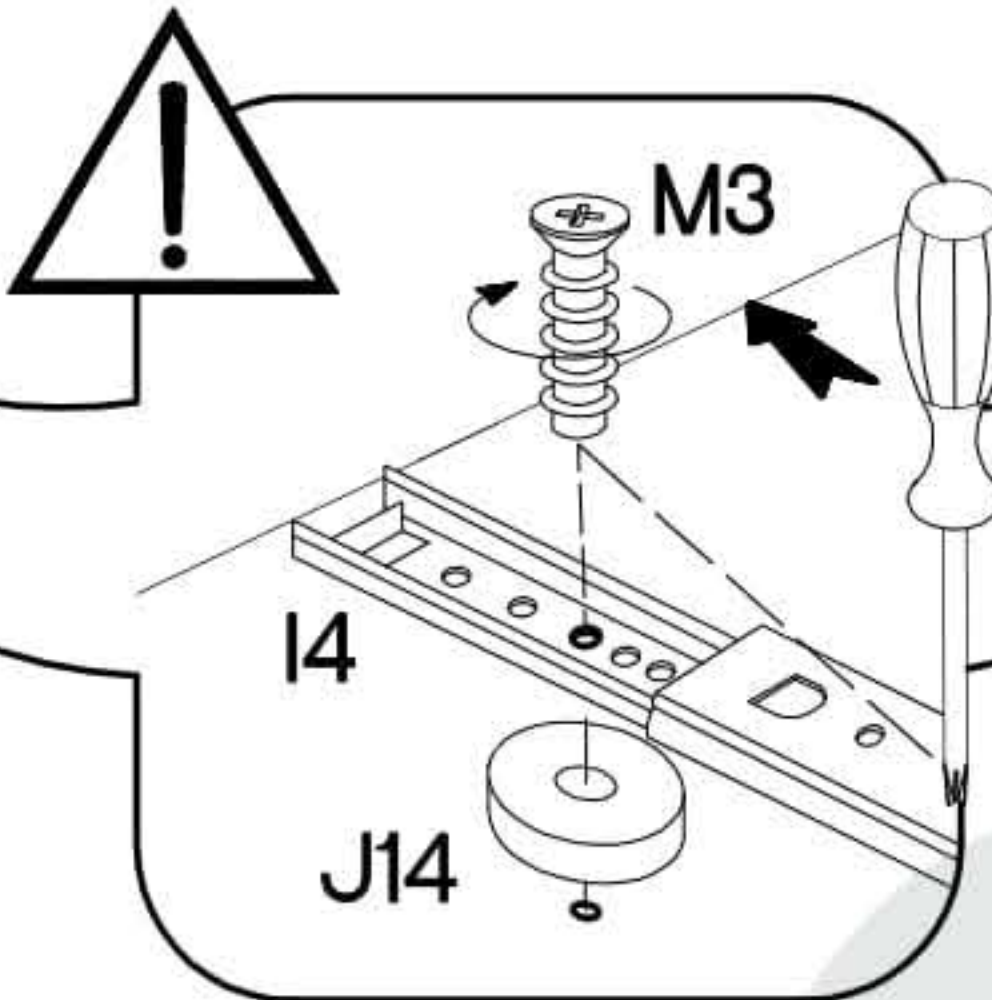
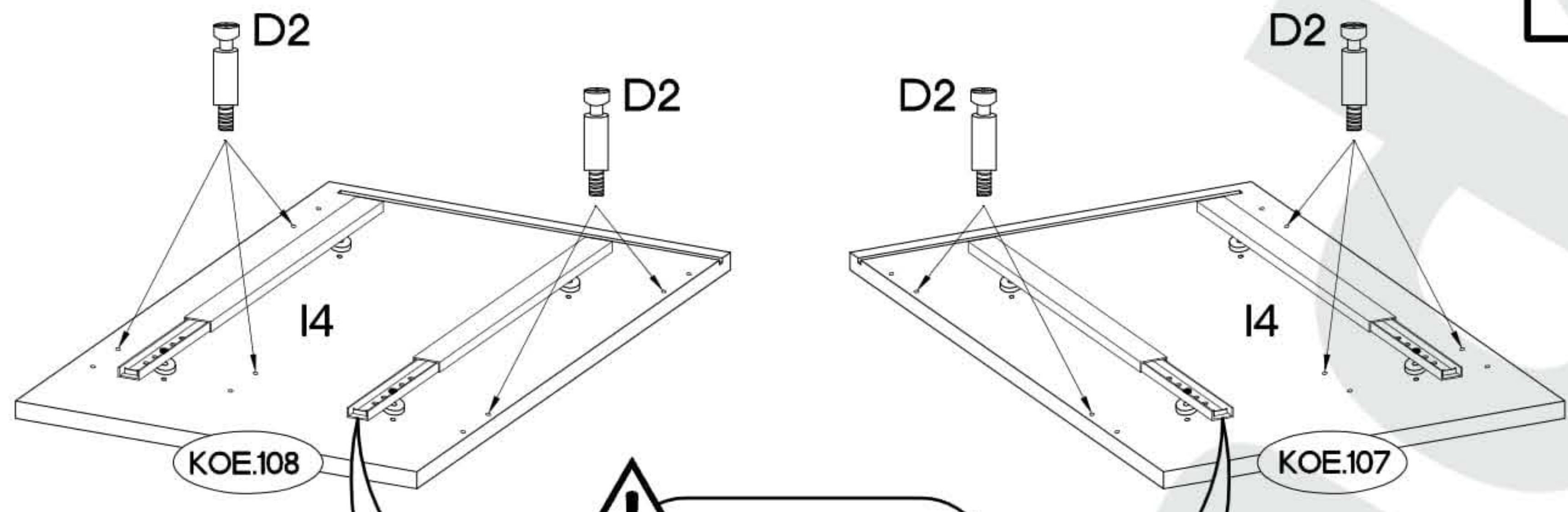
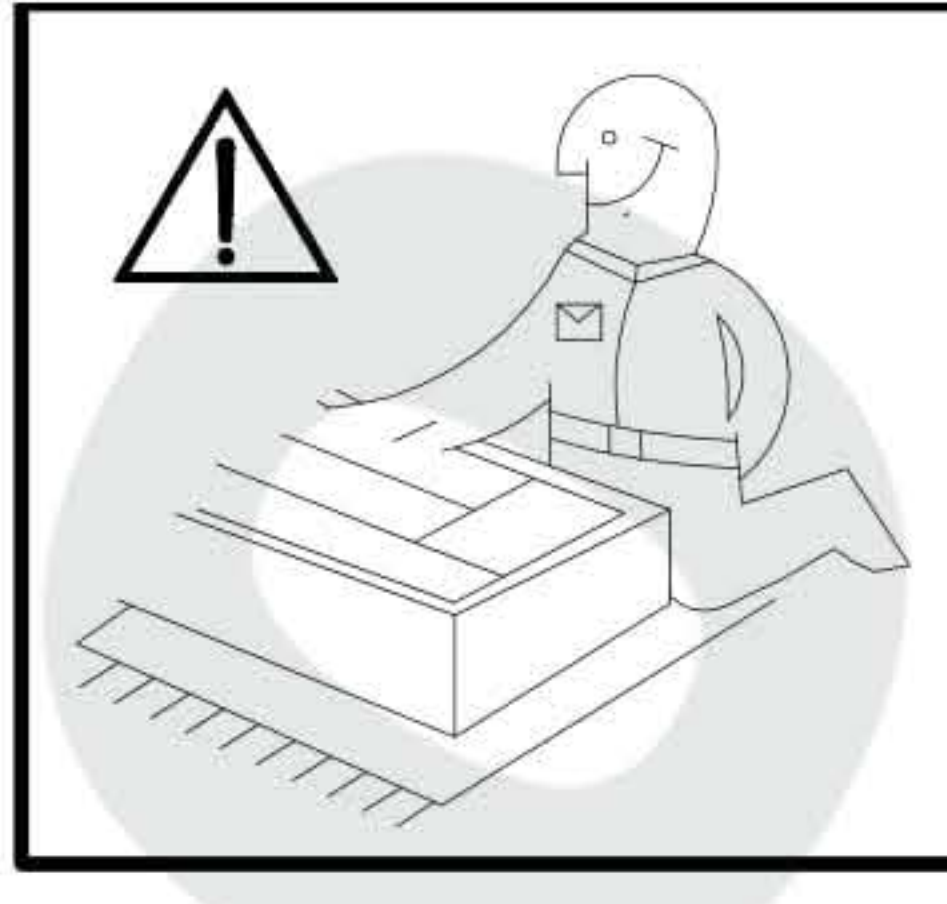
10

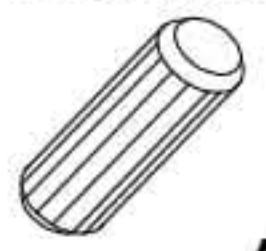
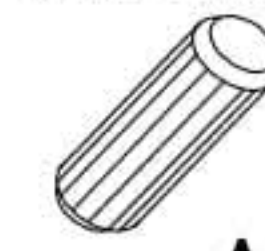


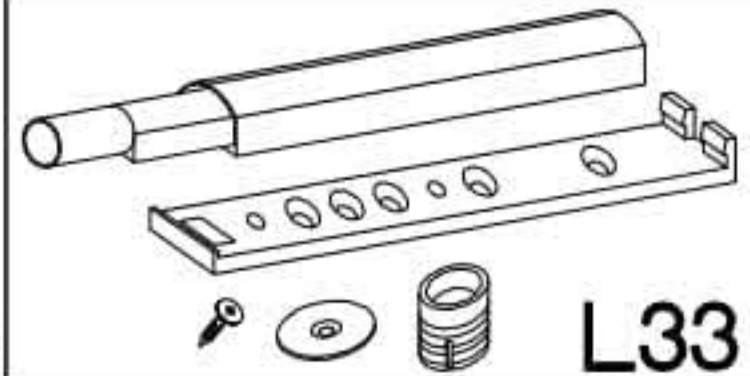



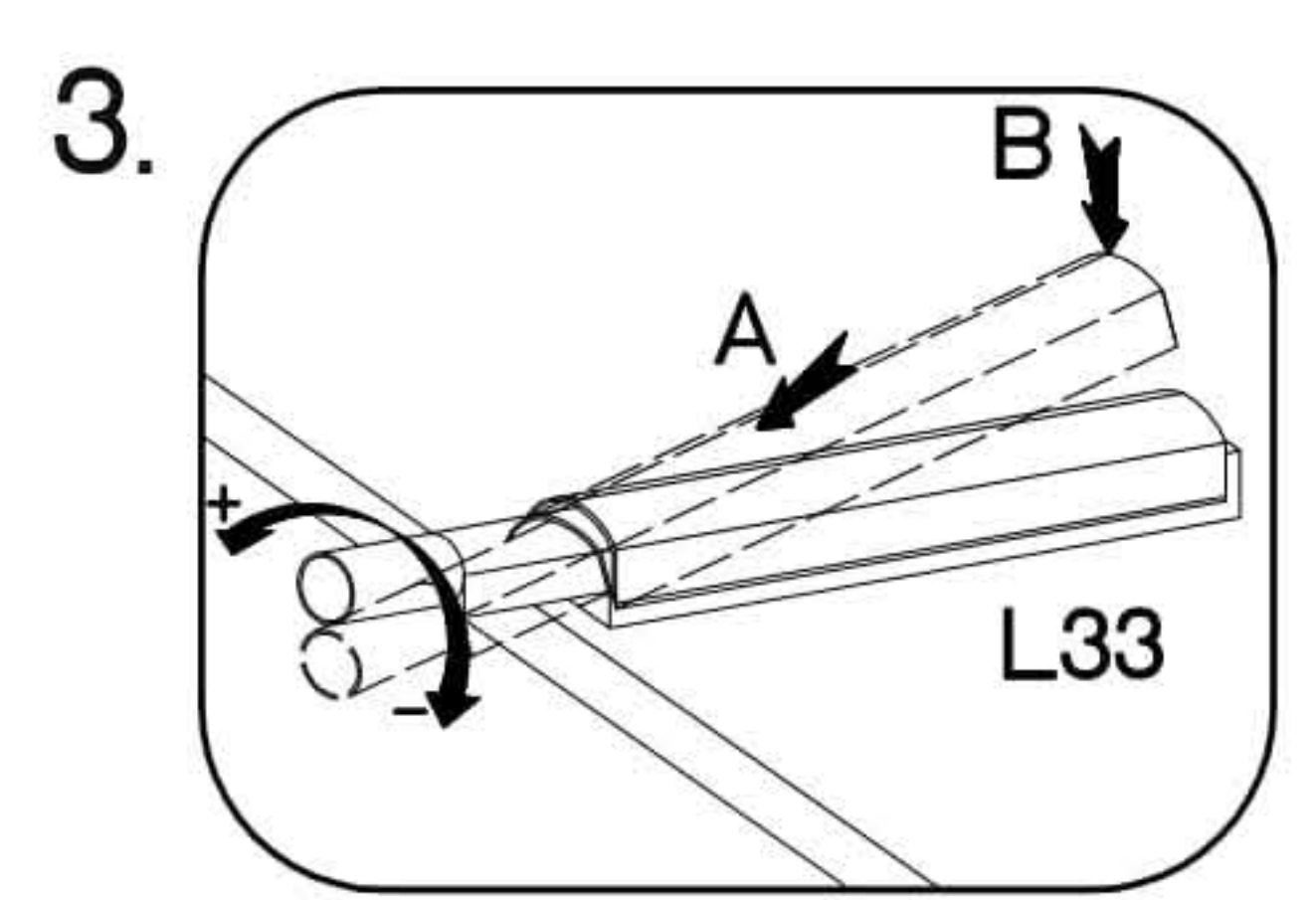
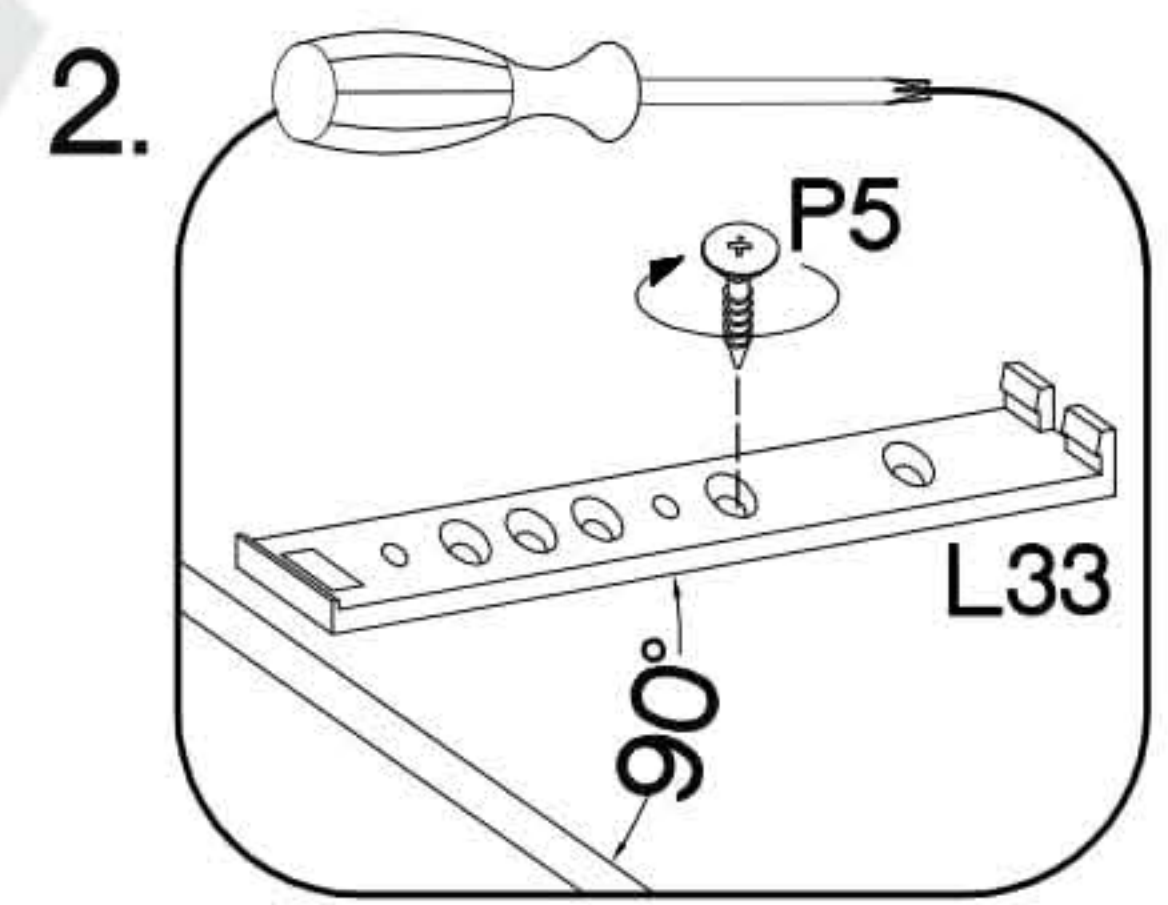
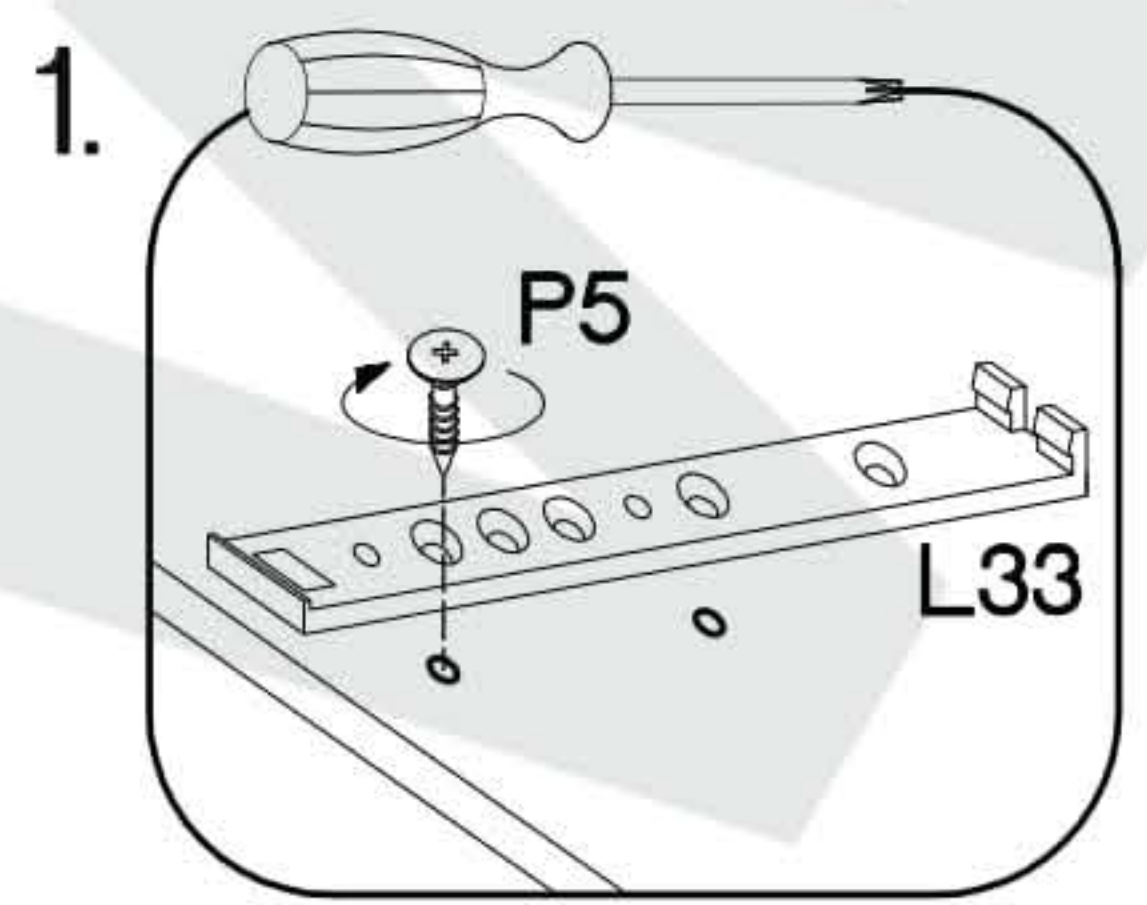
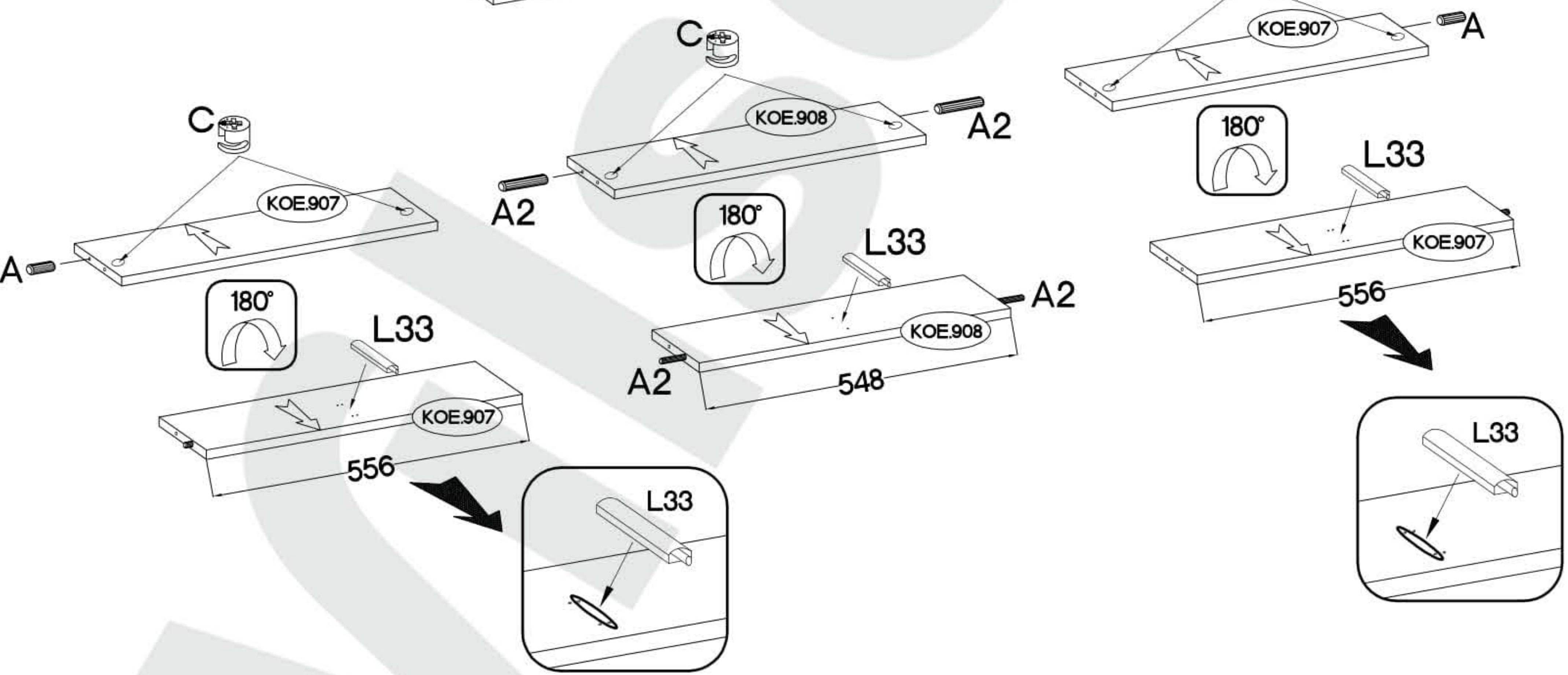
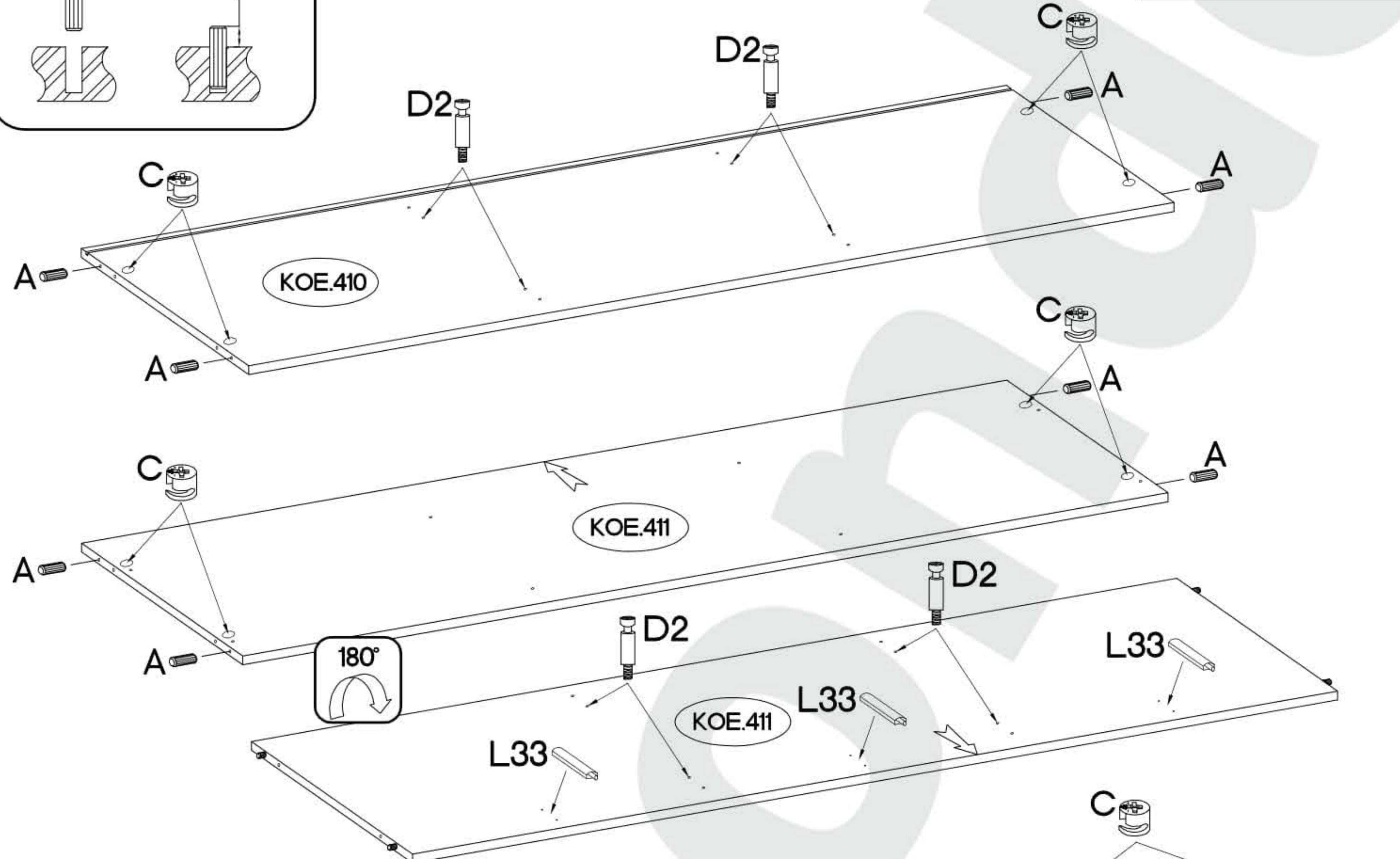
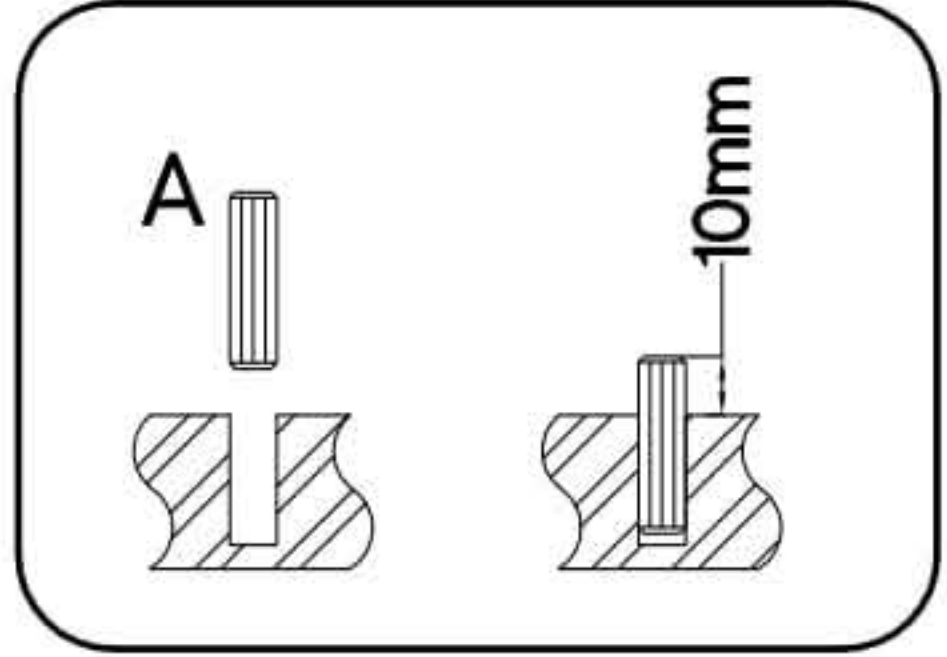
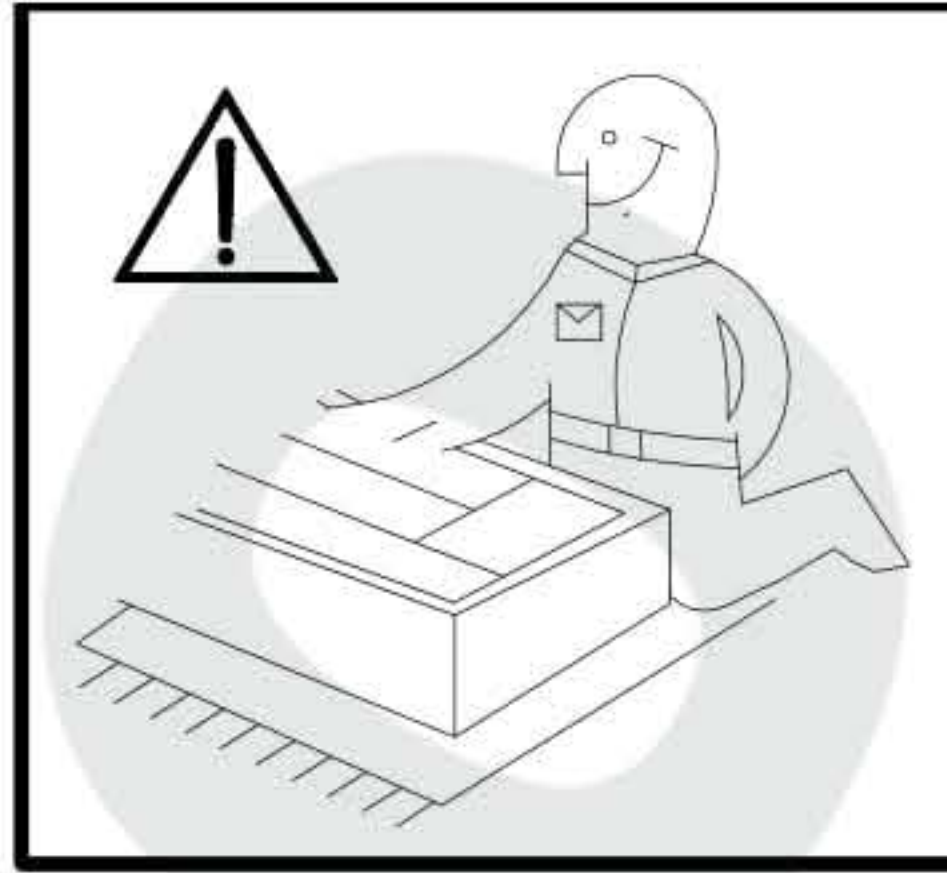
x3



†8x30mm A	†15/12mm C	L=20mm D2	27/310mm I4	†6,3x13mm M2	†6.3x20mm M3	†20/8mm J14
8	8	10	6	16	8	8

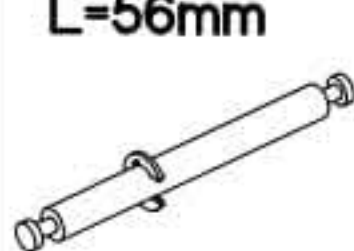


$\pm 8 \times 30 \text{mm}$  A 10	$\pm 8 \times 60 \text{mm}$  A2 2	$\pm 15/12 \text{mm}$  C 14	L=20mm  D2 8	 L33 6	$\pm 3.5 \times 13 \text{mm}$  P5 12
--	--	--	---	---	---



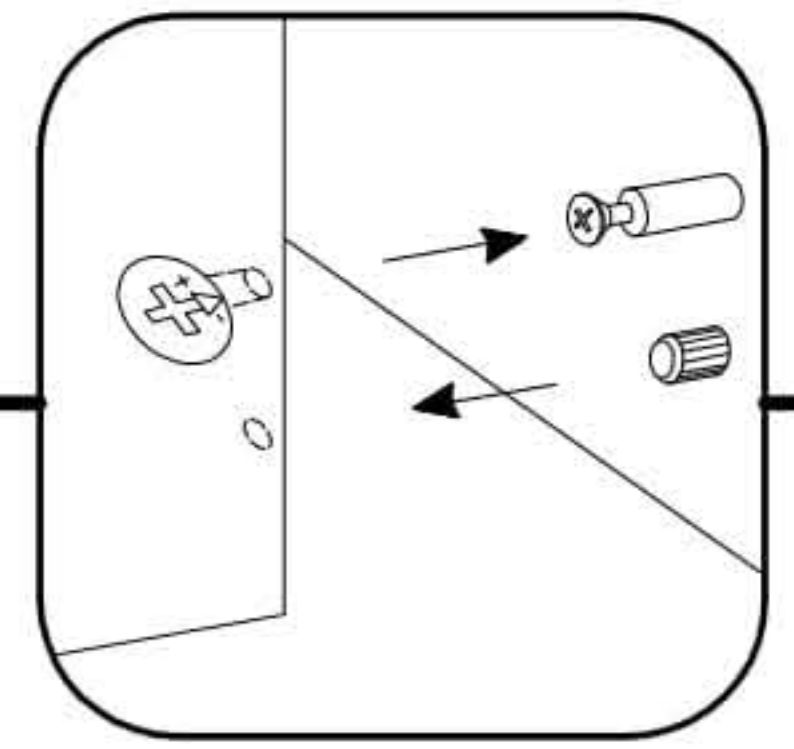
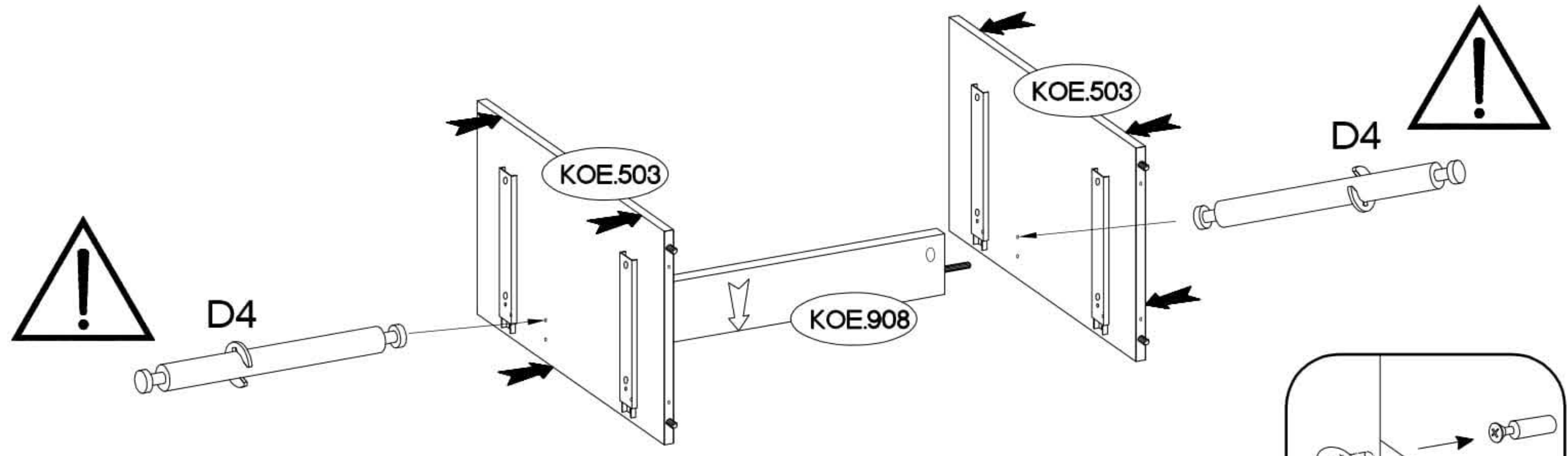
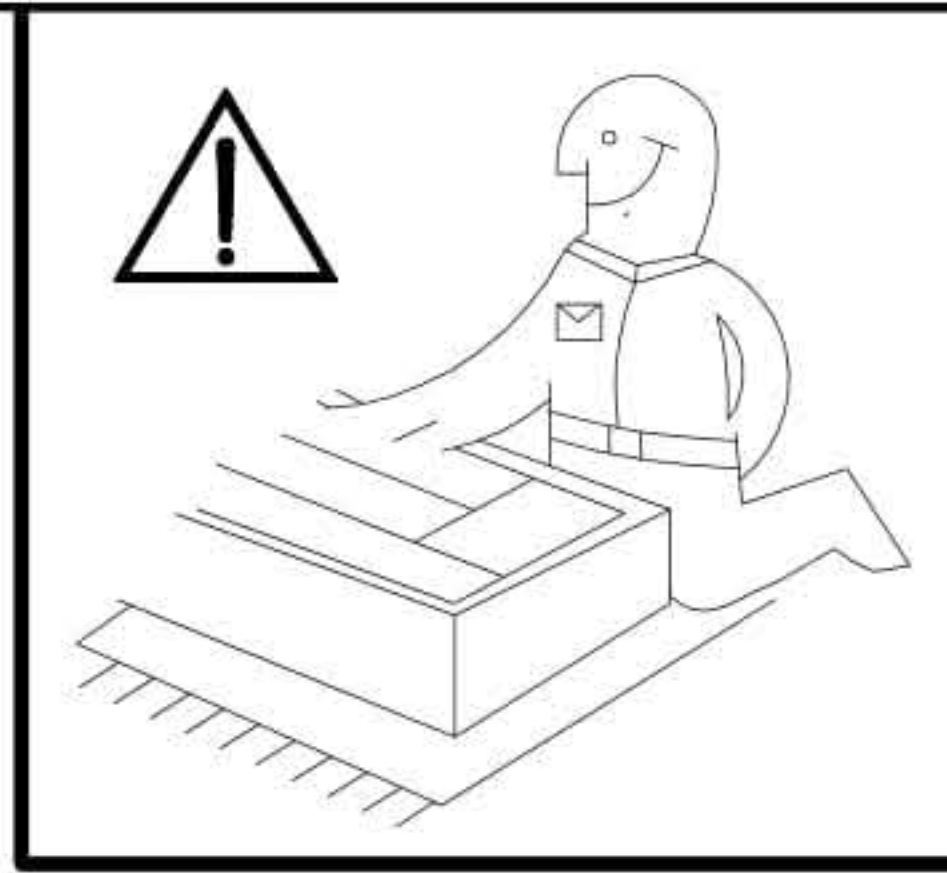
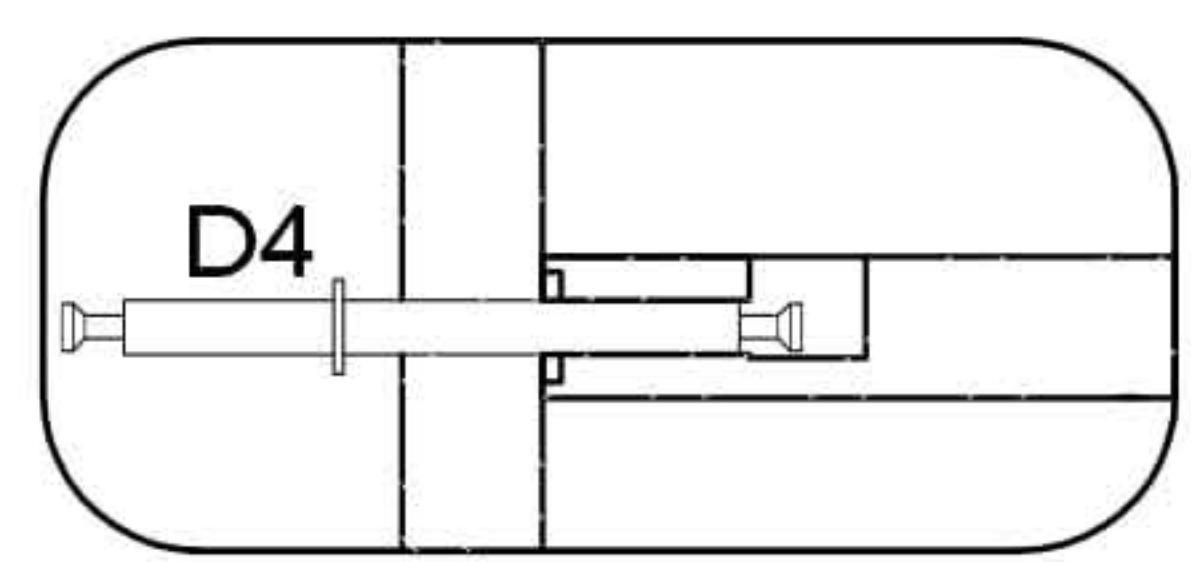
13

L=56mm

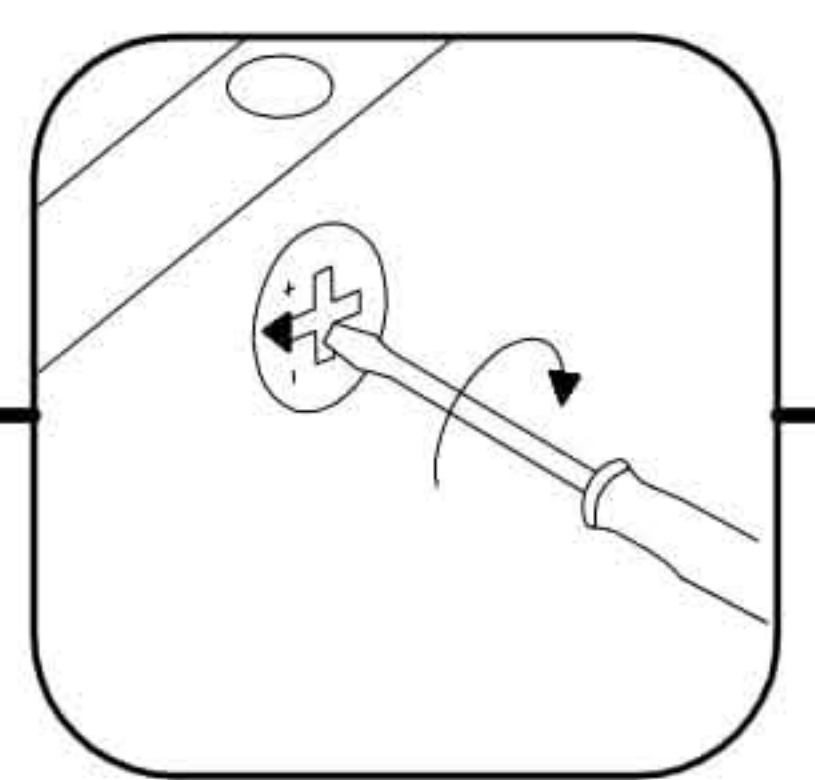
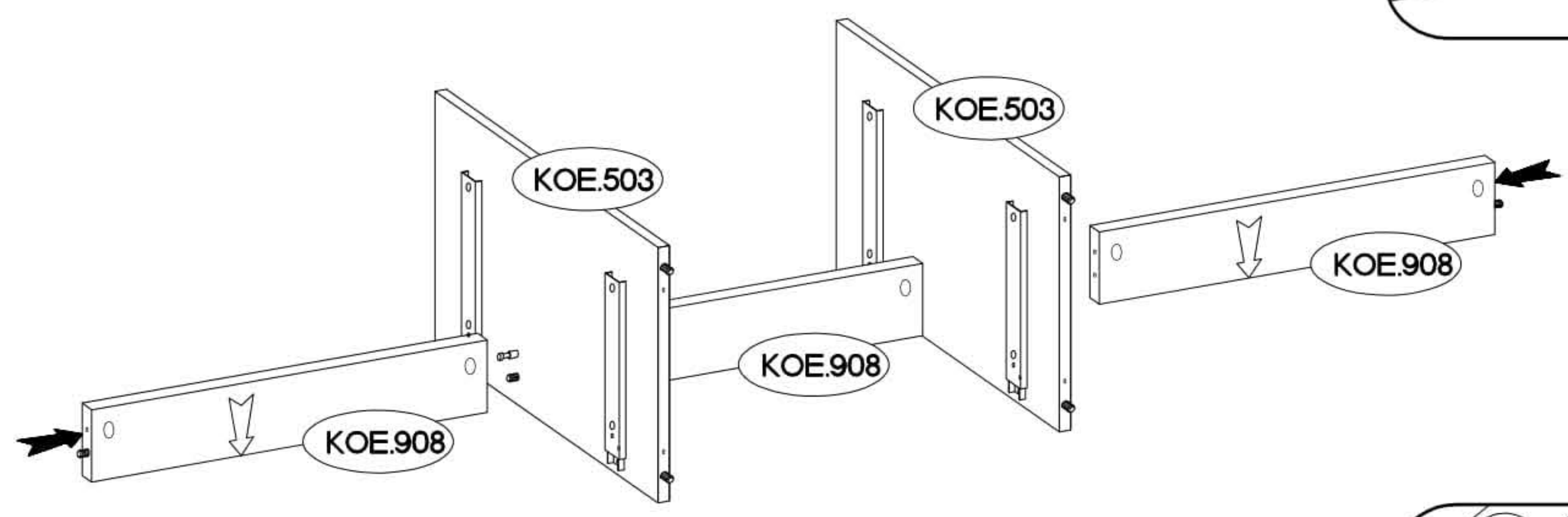


D4

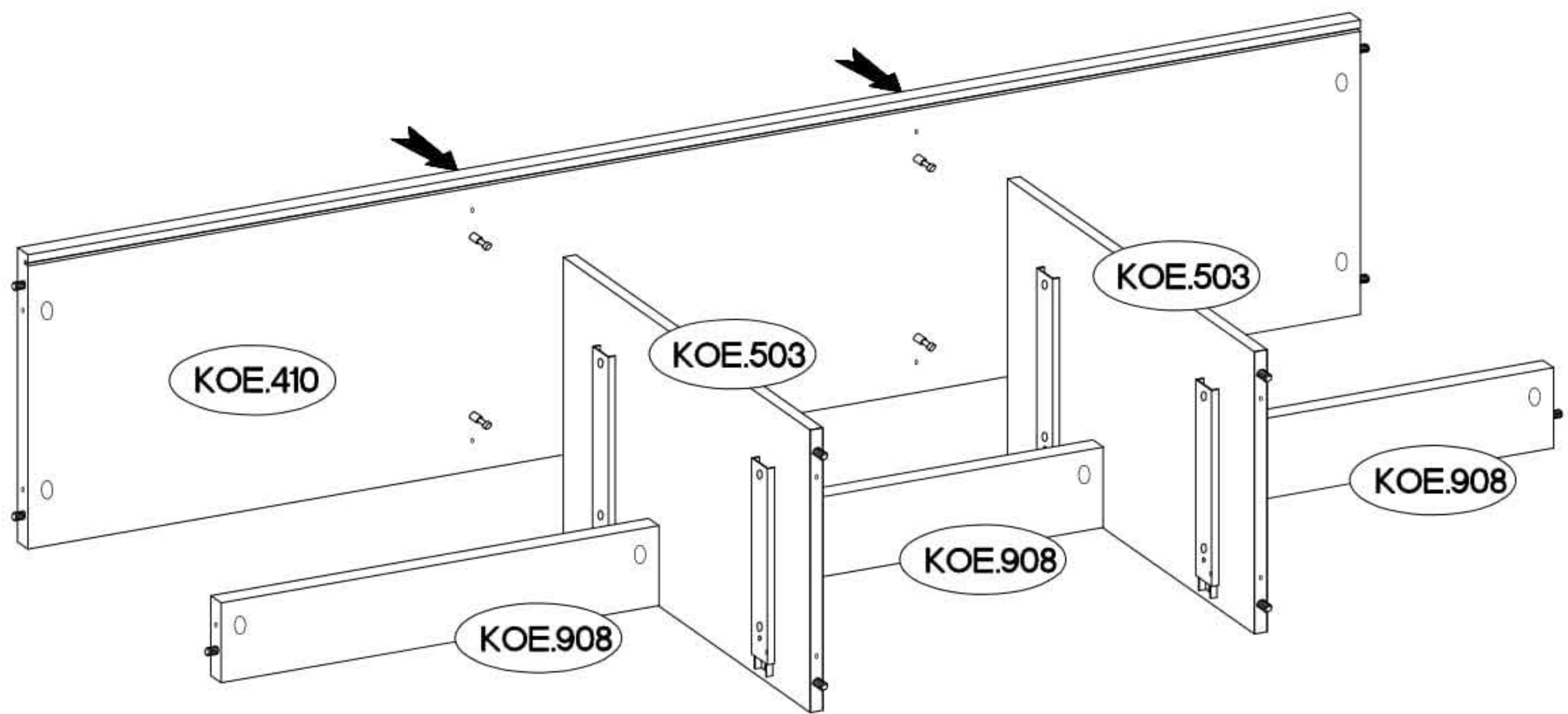
2

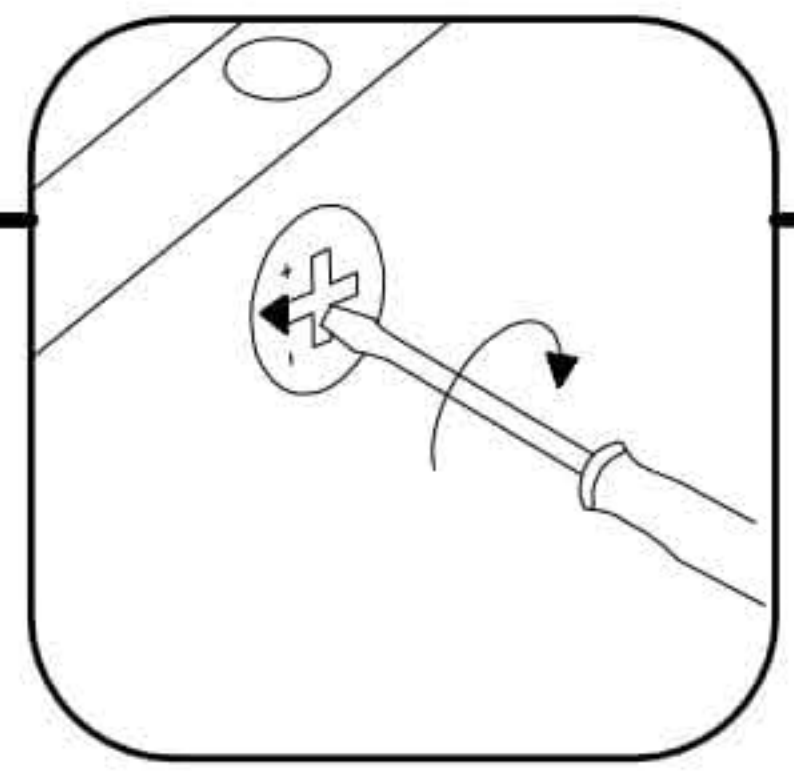
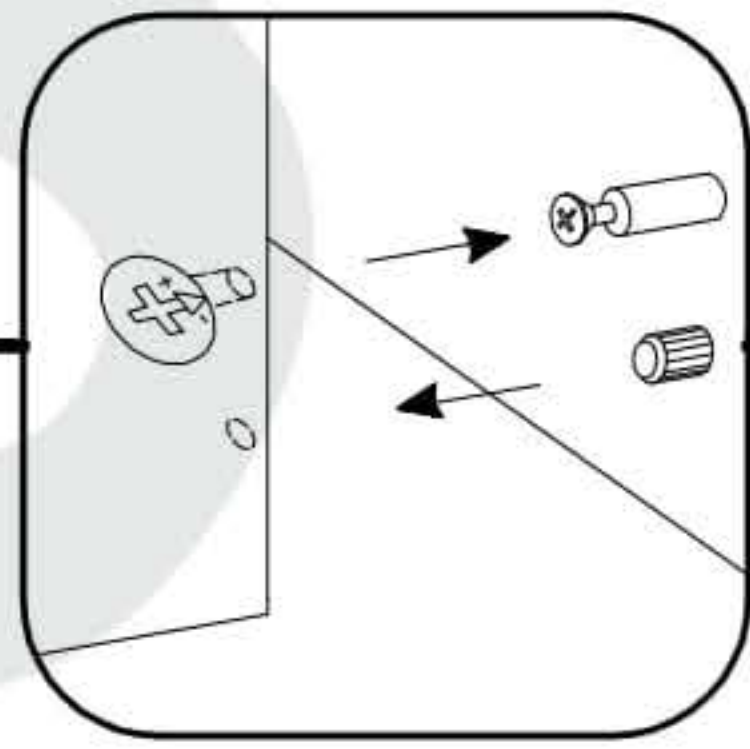
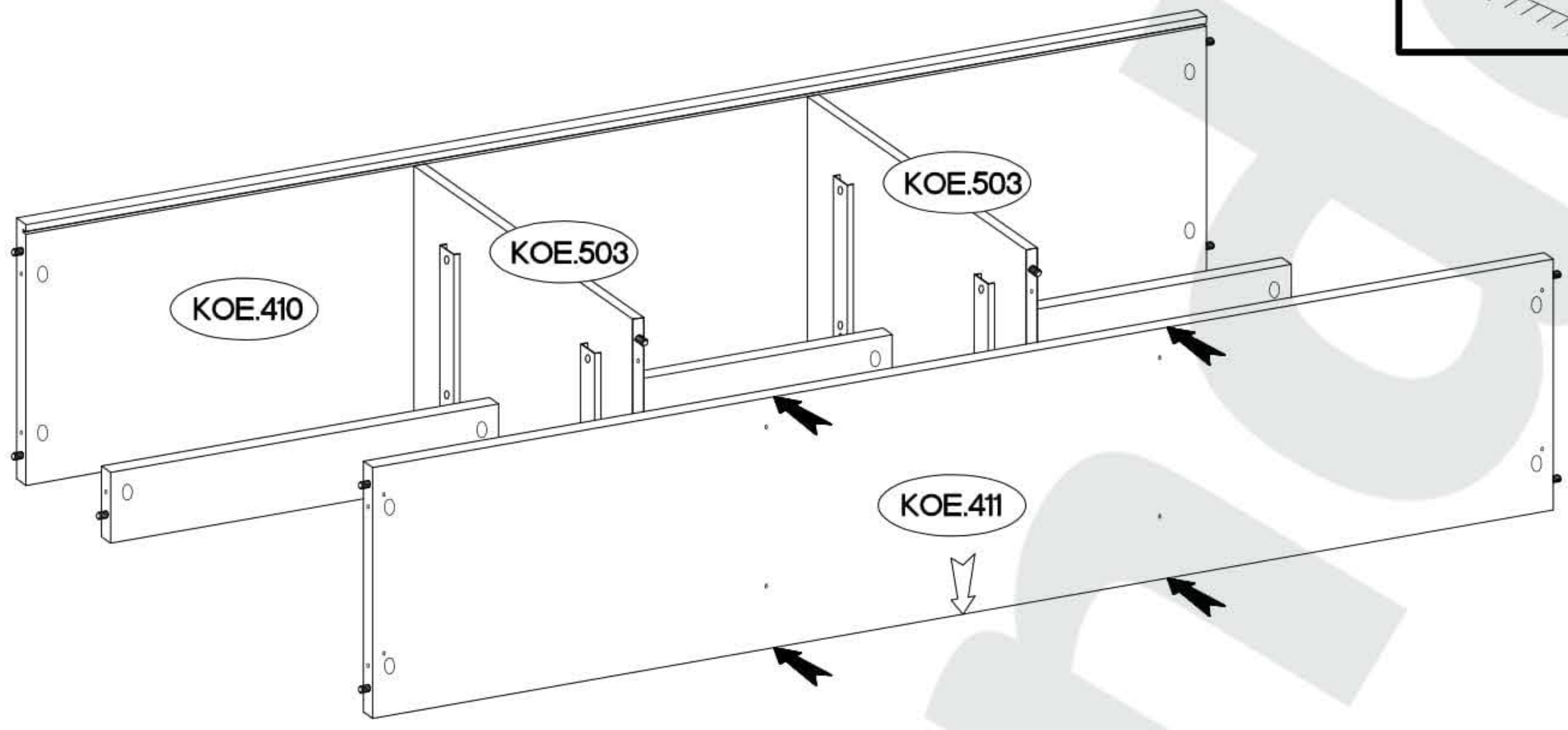



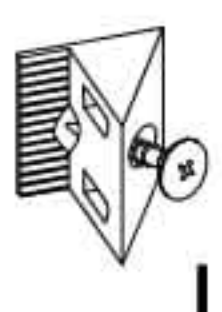
14

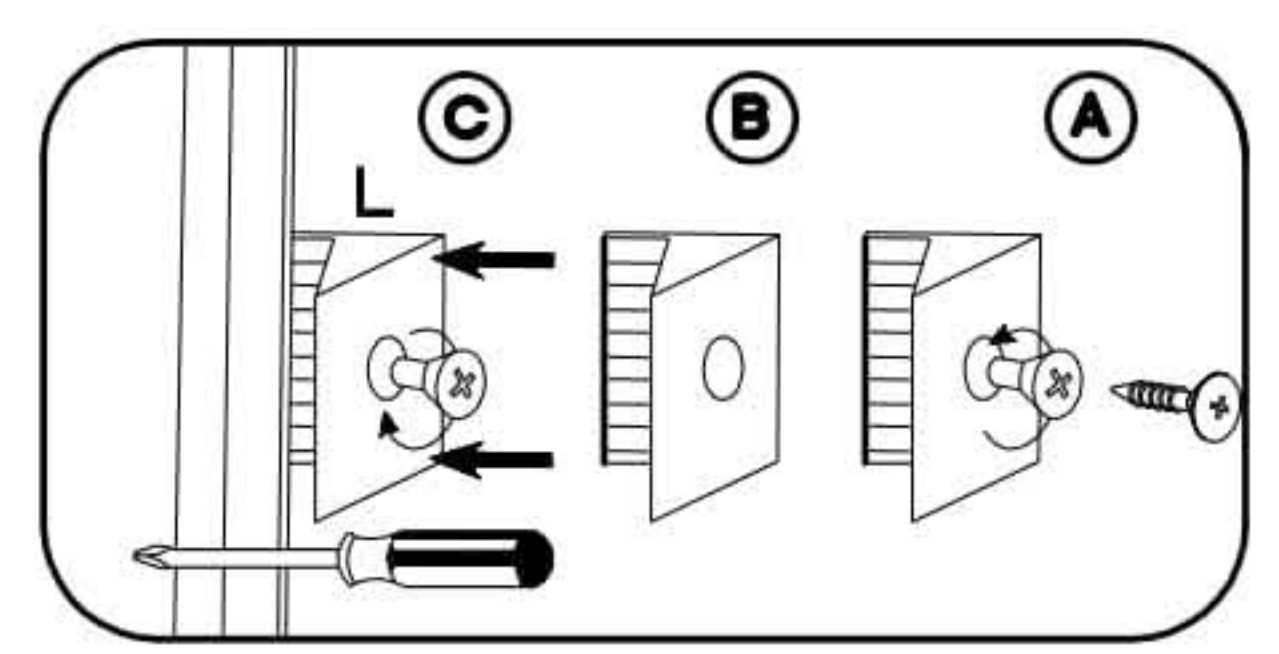
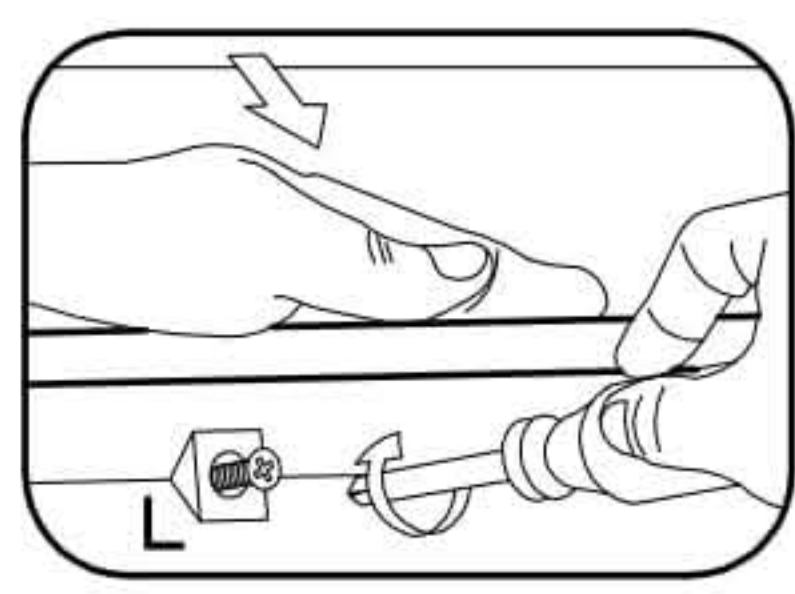
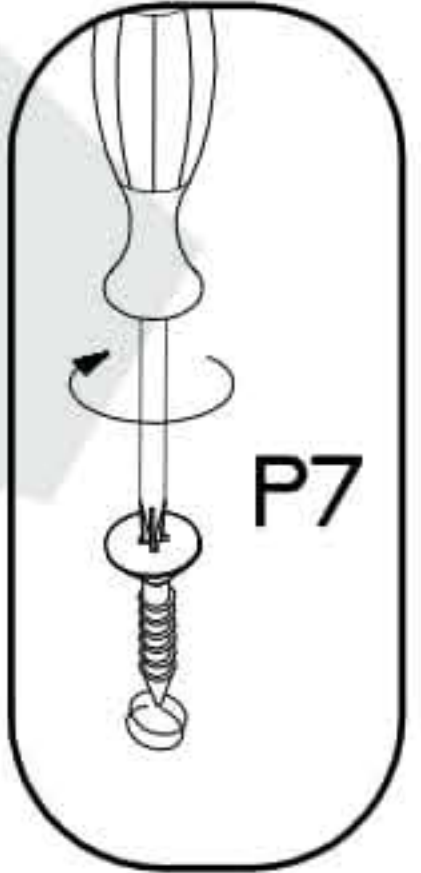
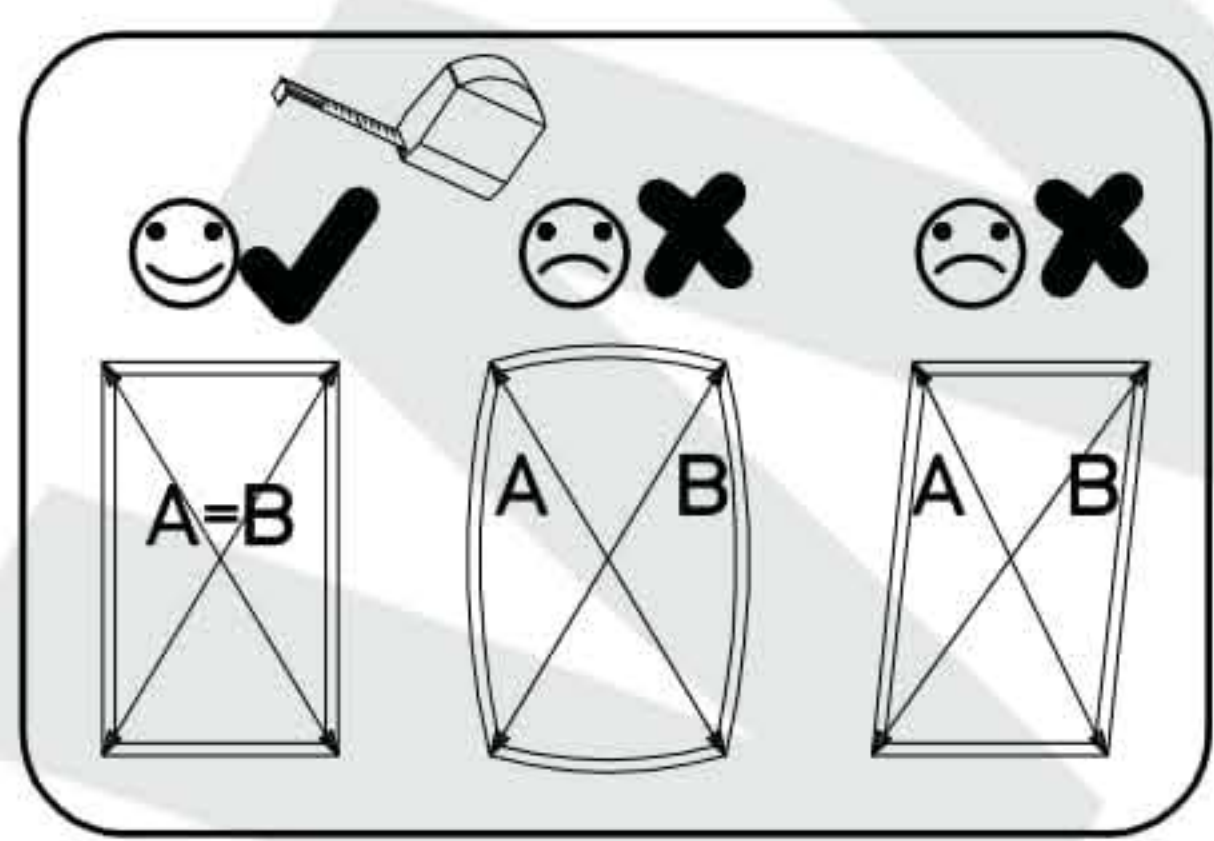
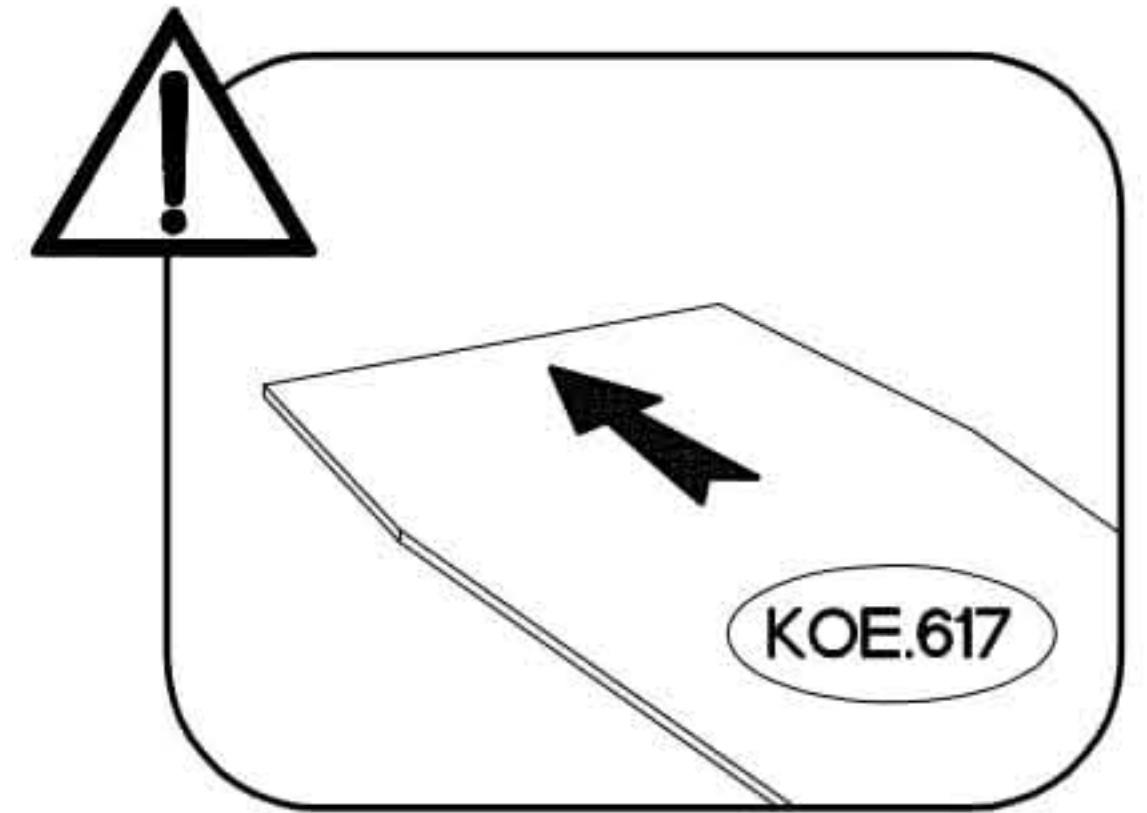
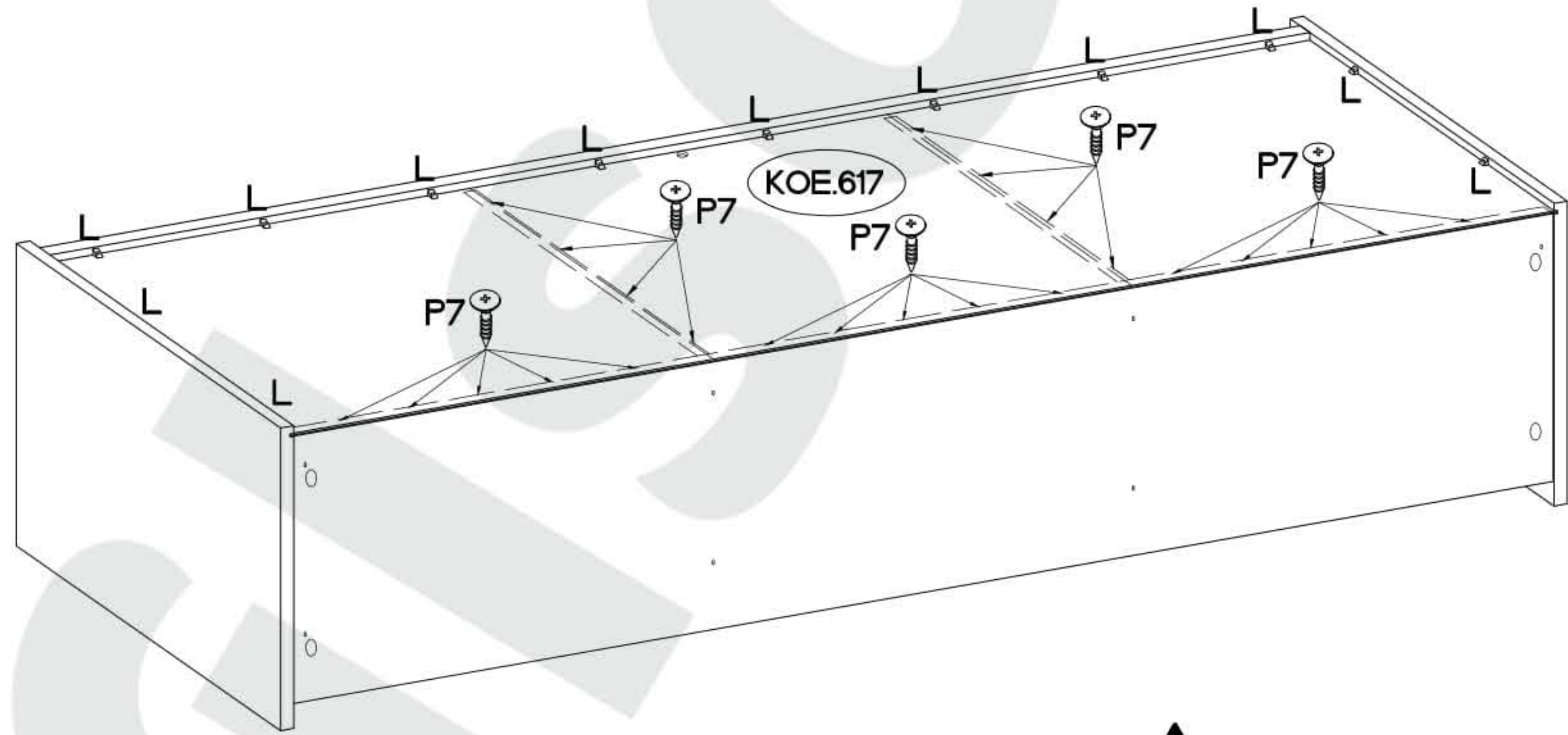
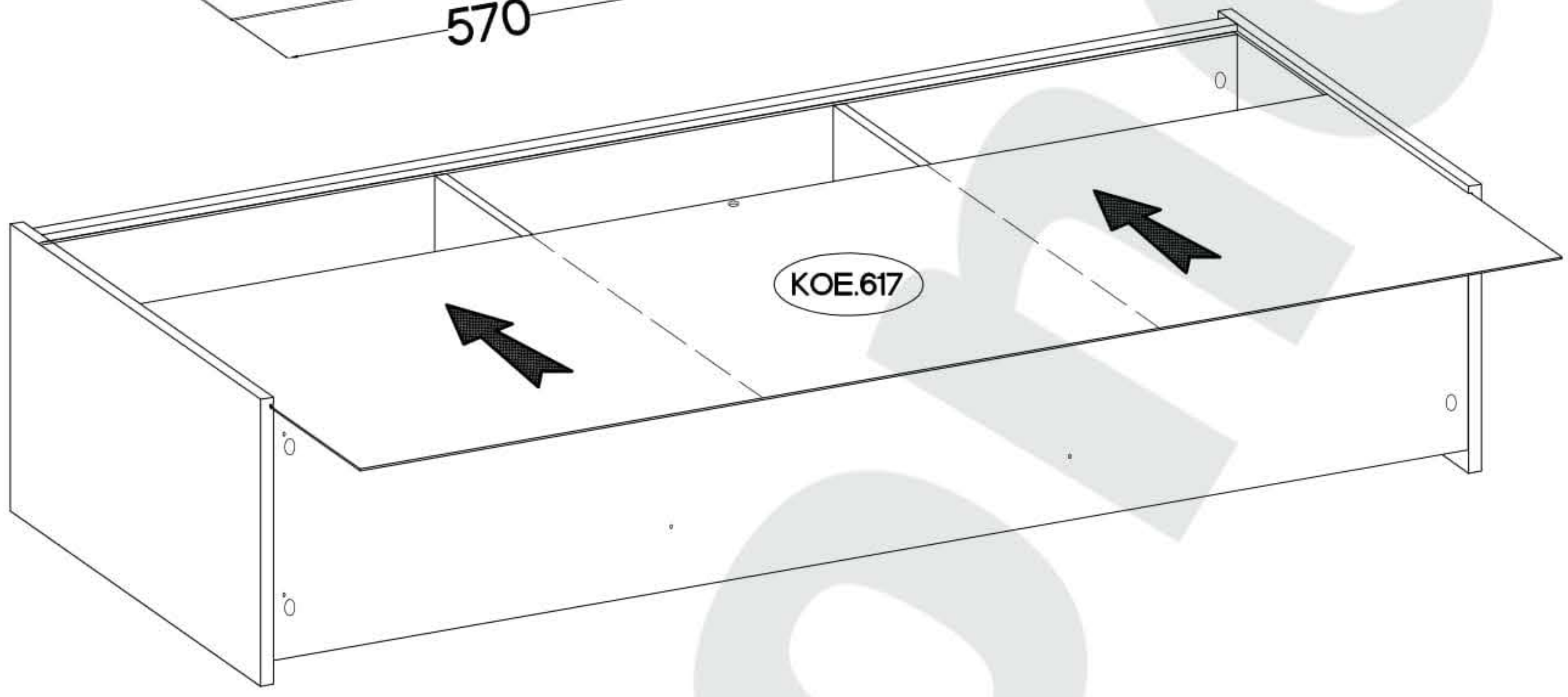
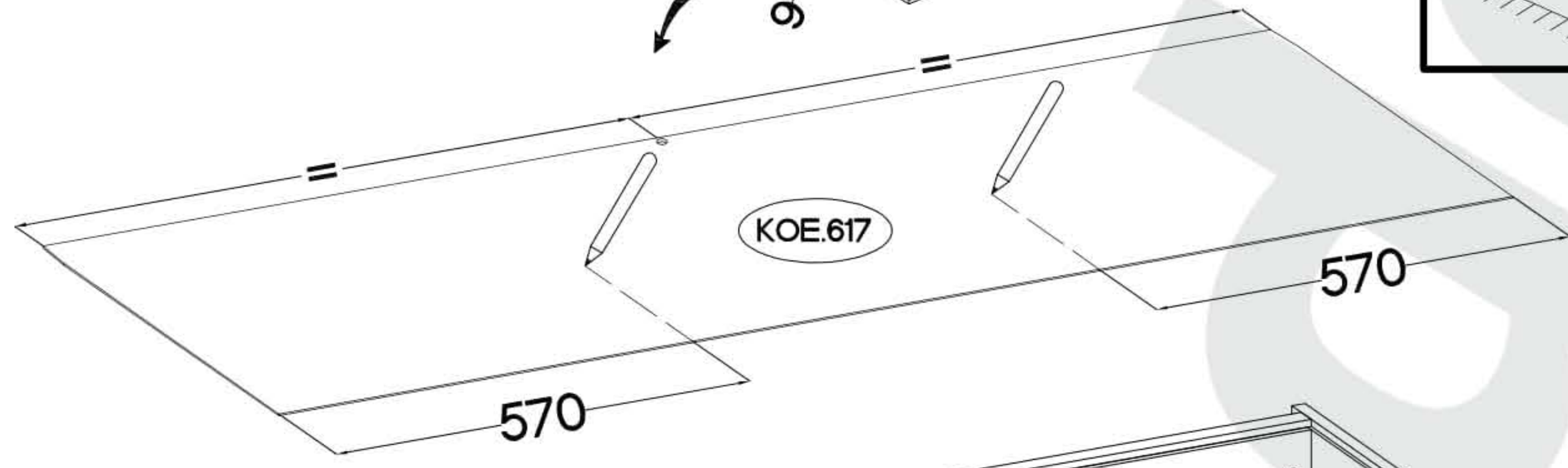
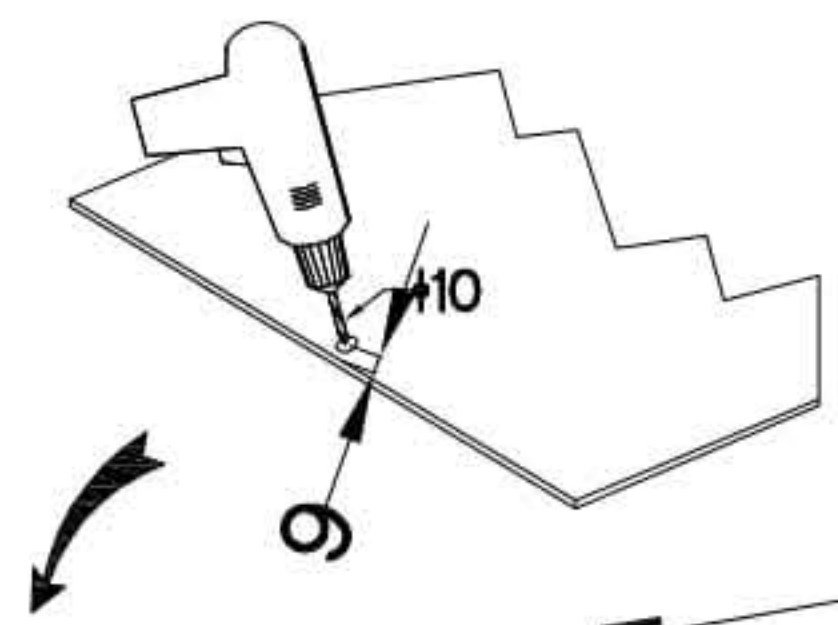
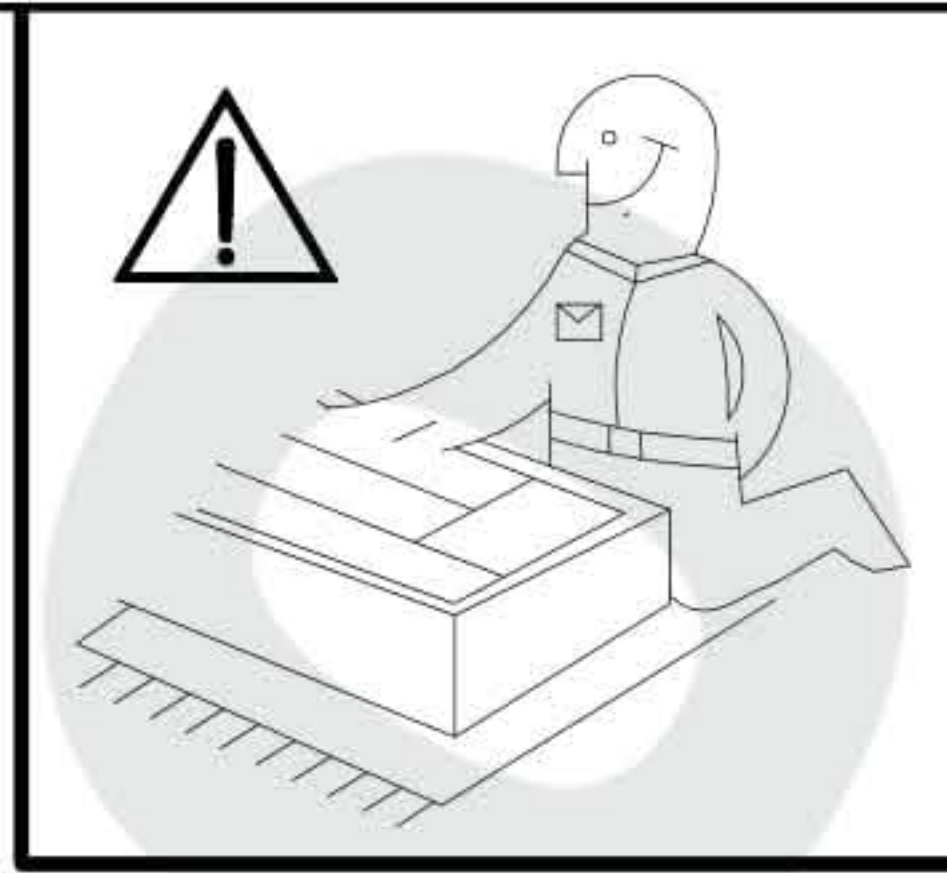


15



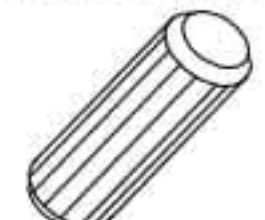


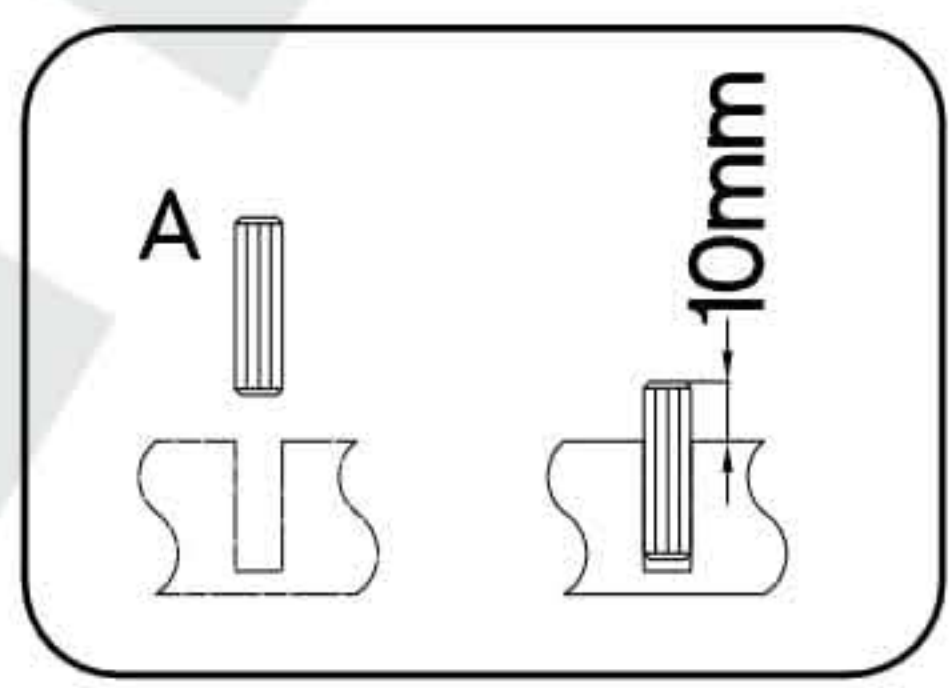
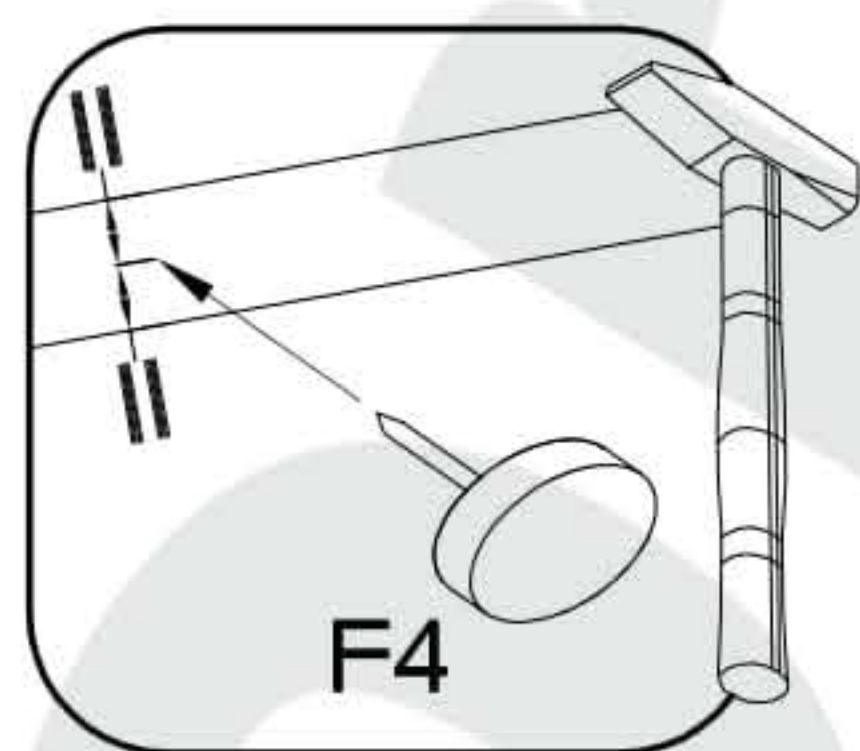
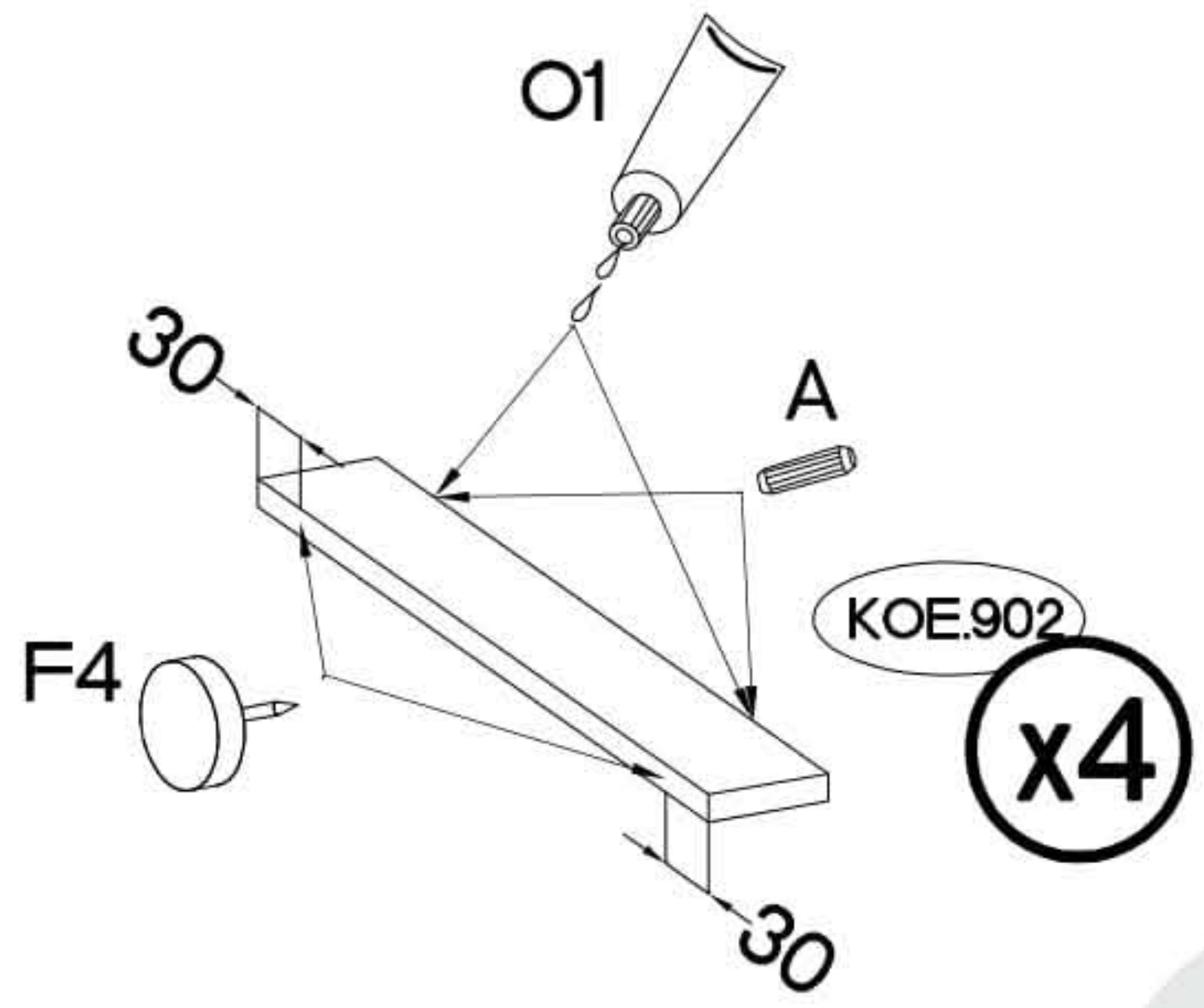
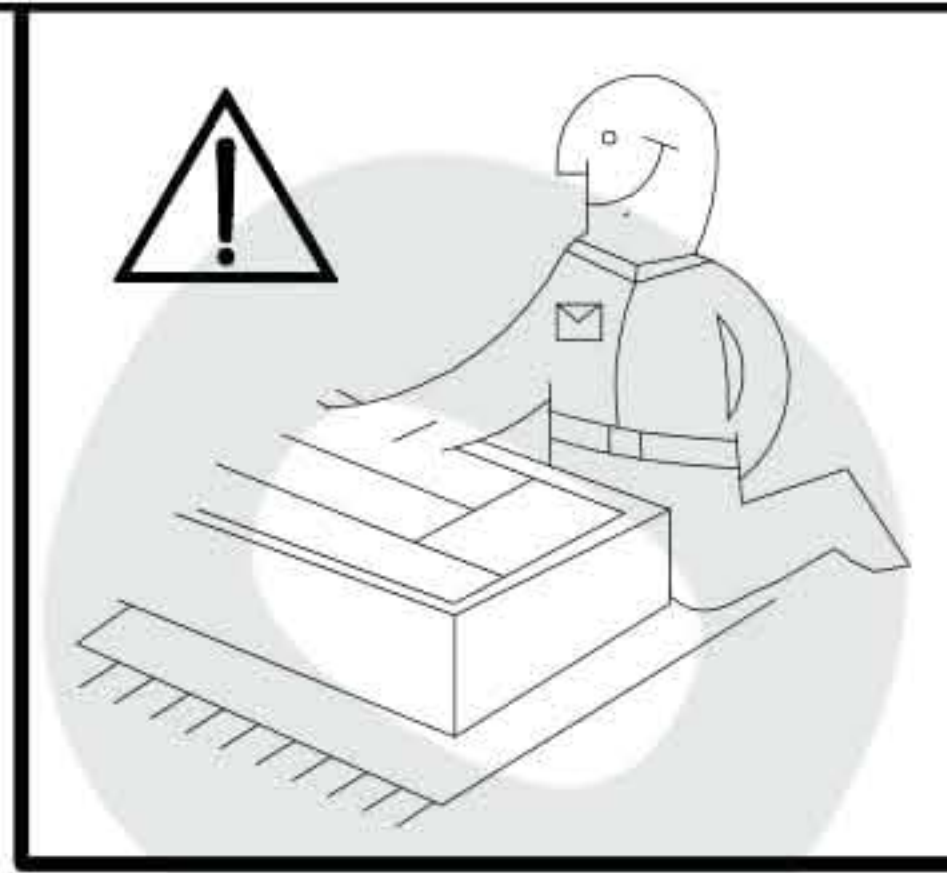


3.0x20mm	
	
P7	L
23	12

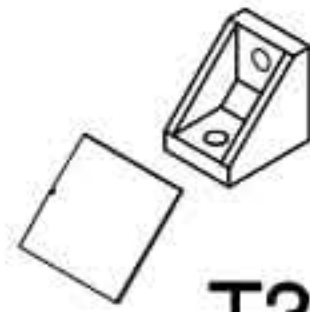



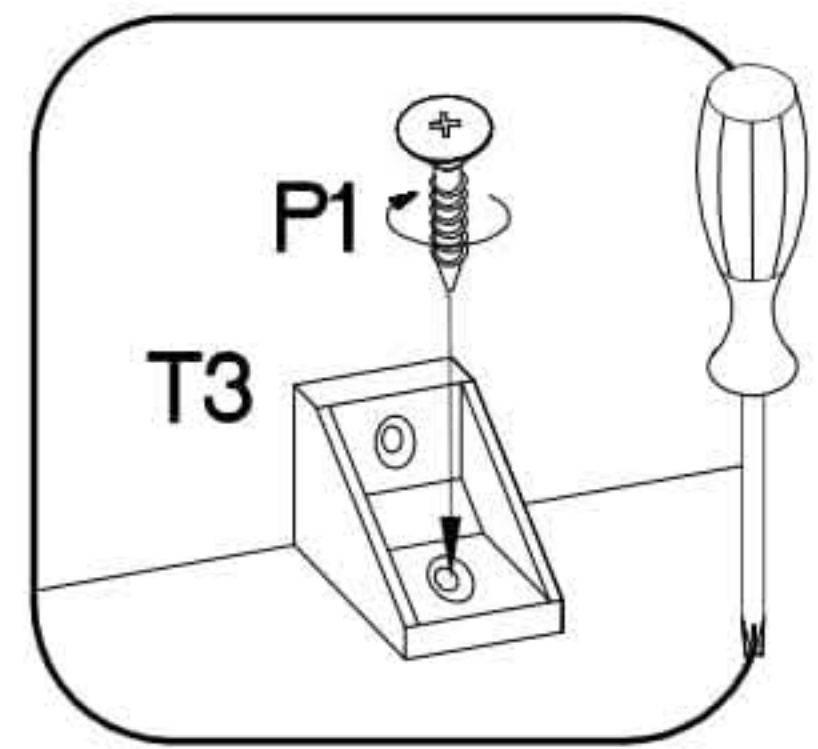
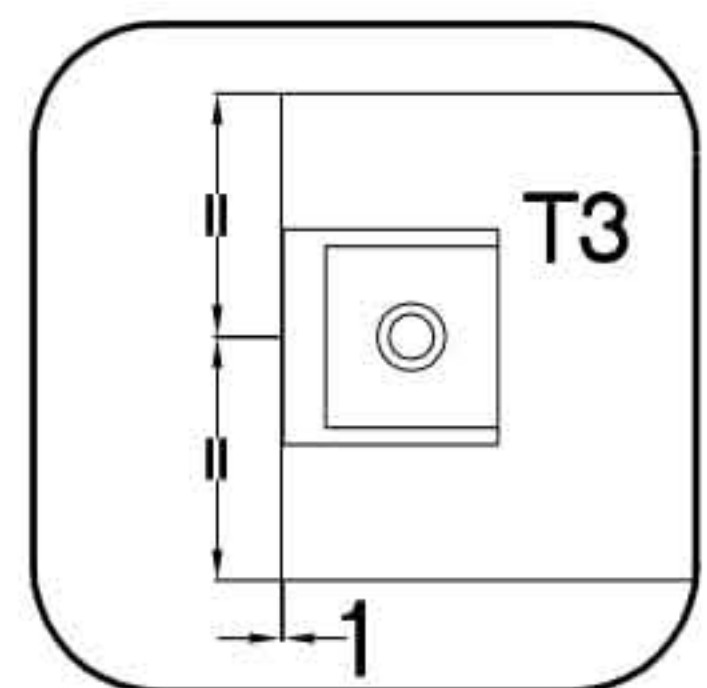
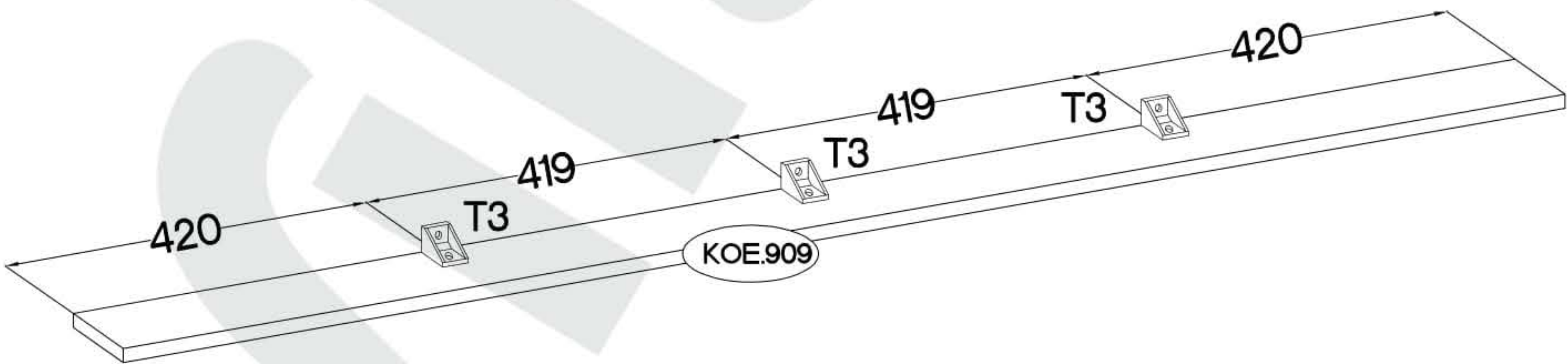
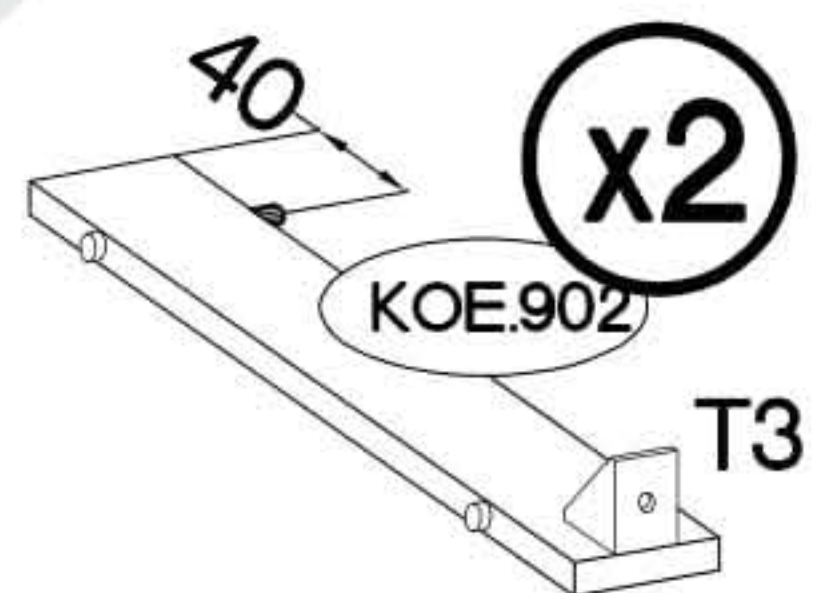
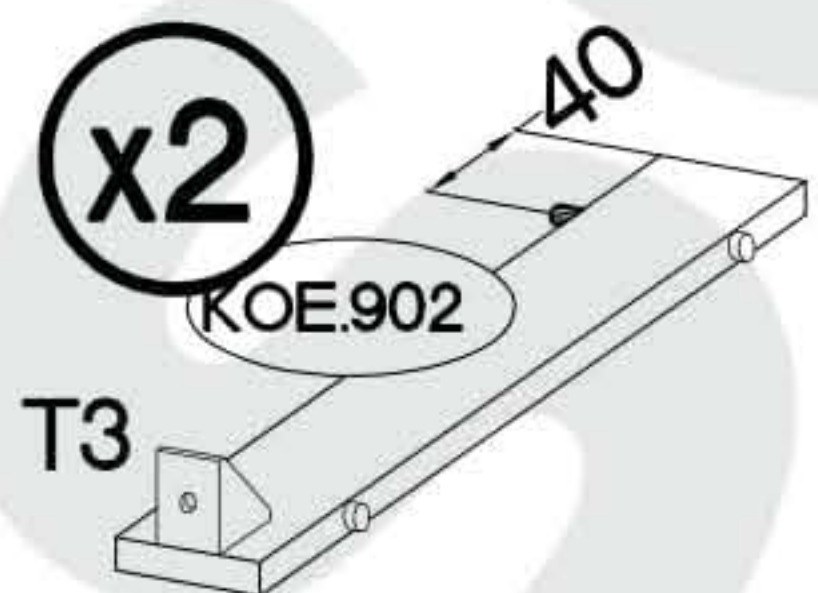
19

†15x5mm  F4 8	†8x30mm  O1 1	†8x30mm  A 8
---	---	--

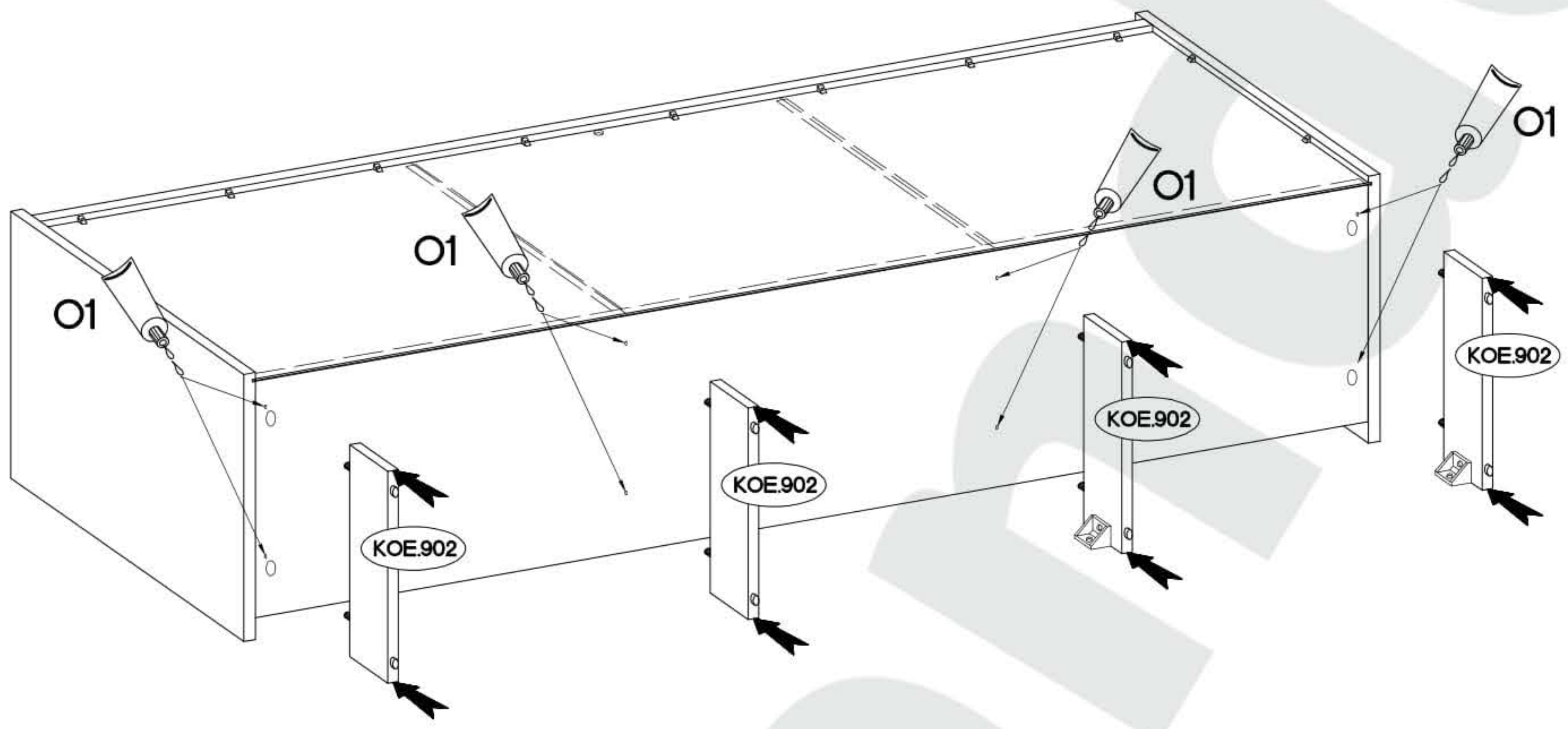
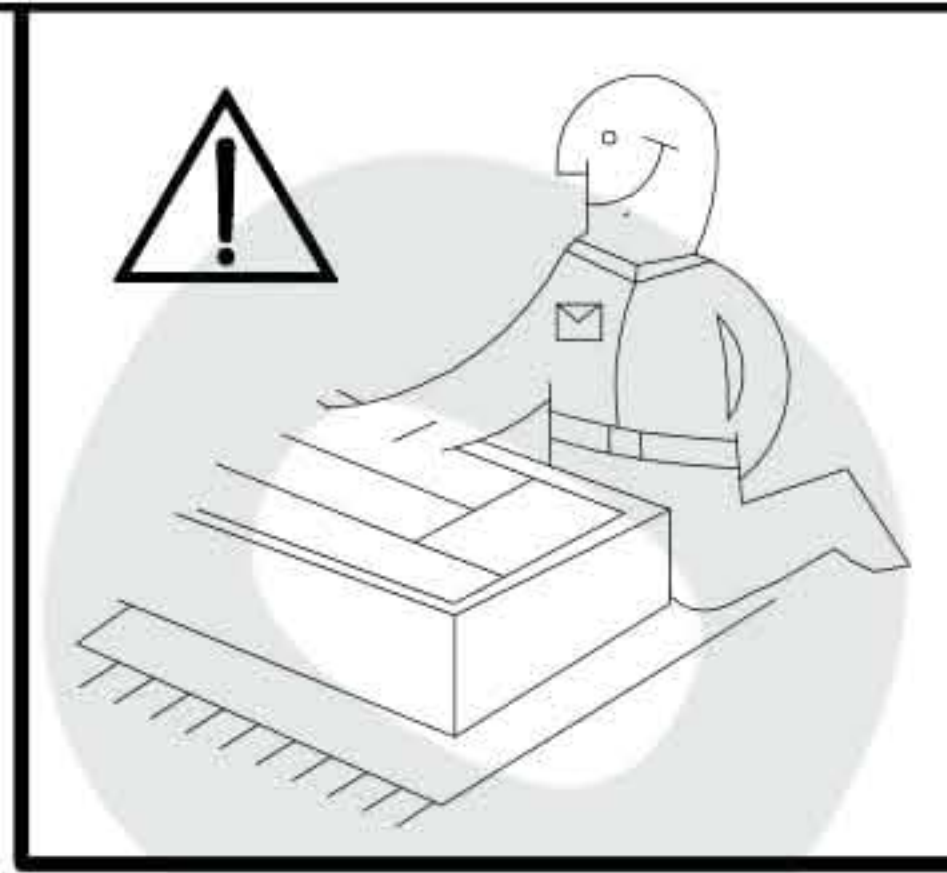
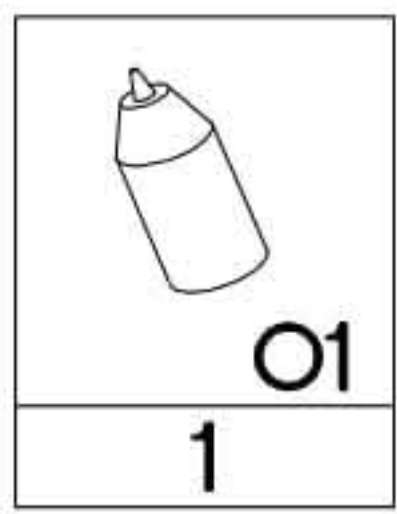


20

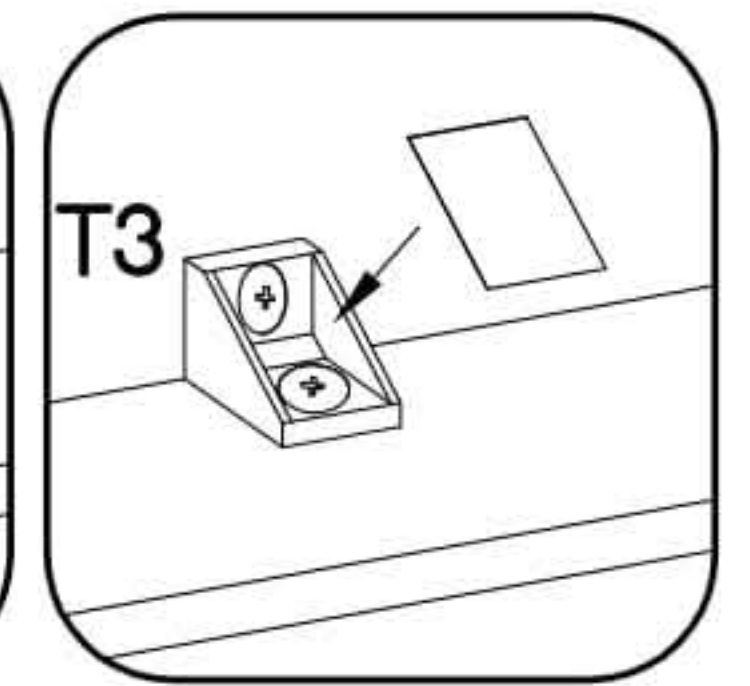
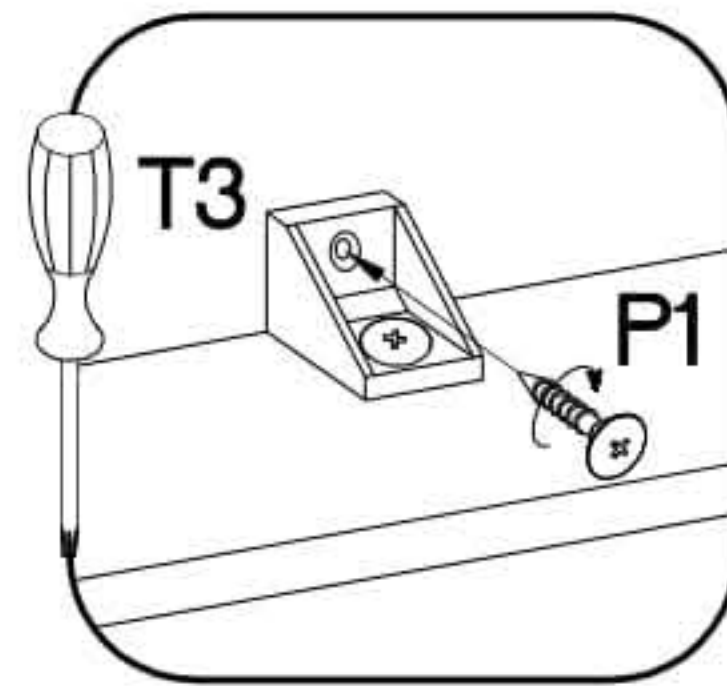
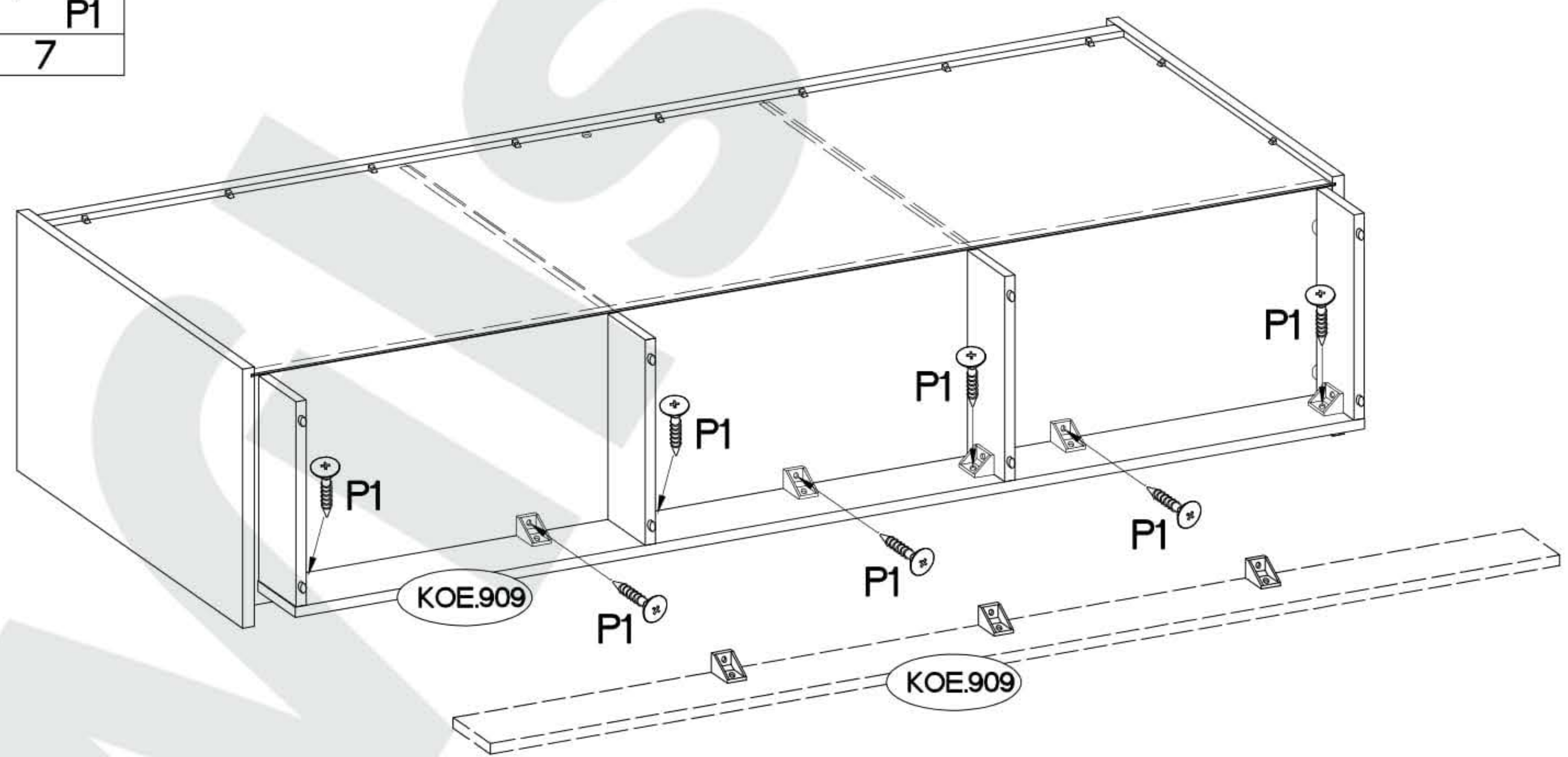
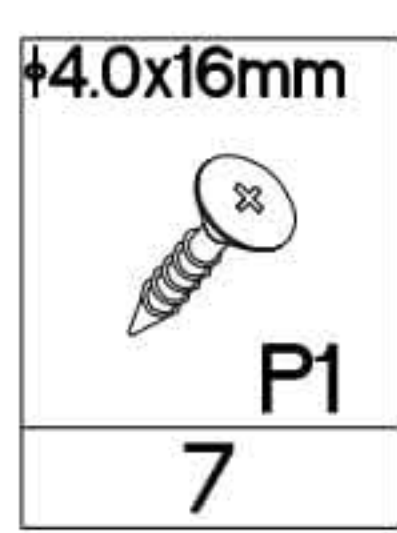
 T3 7	†4.0x16mm  P1 7
---	--






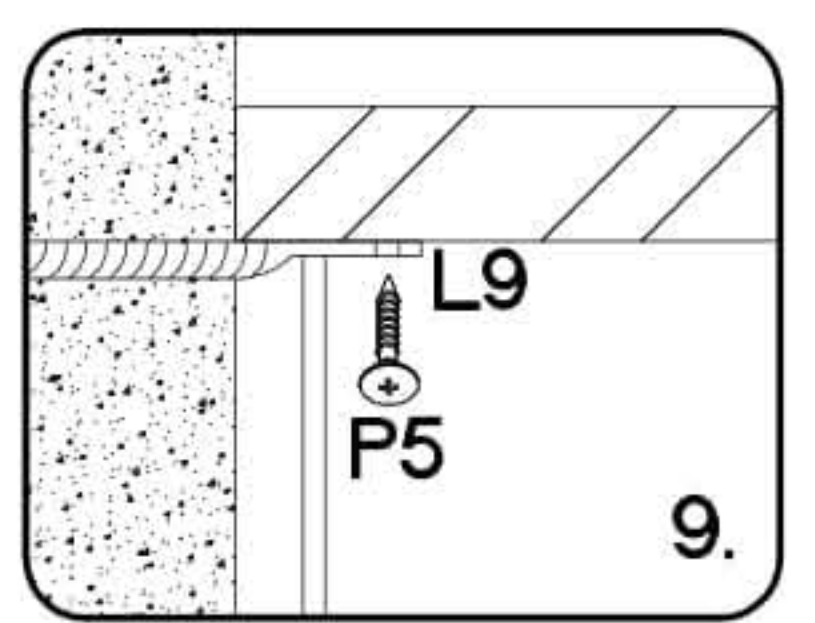
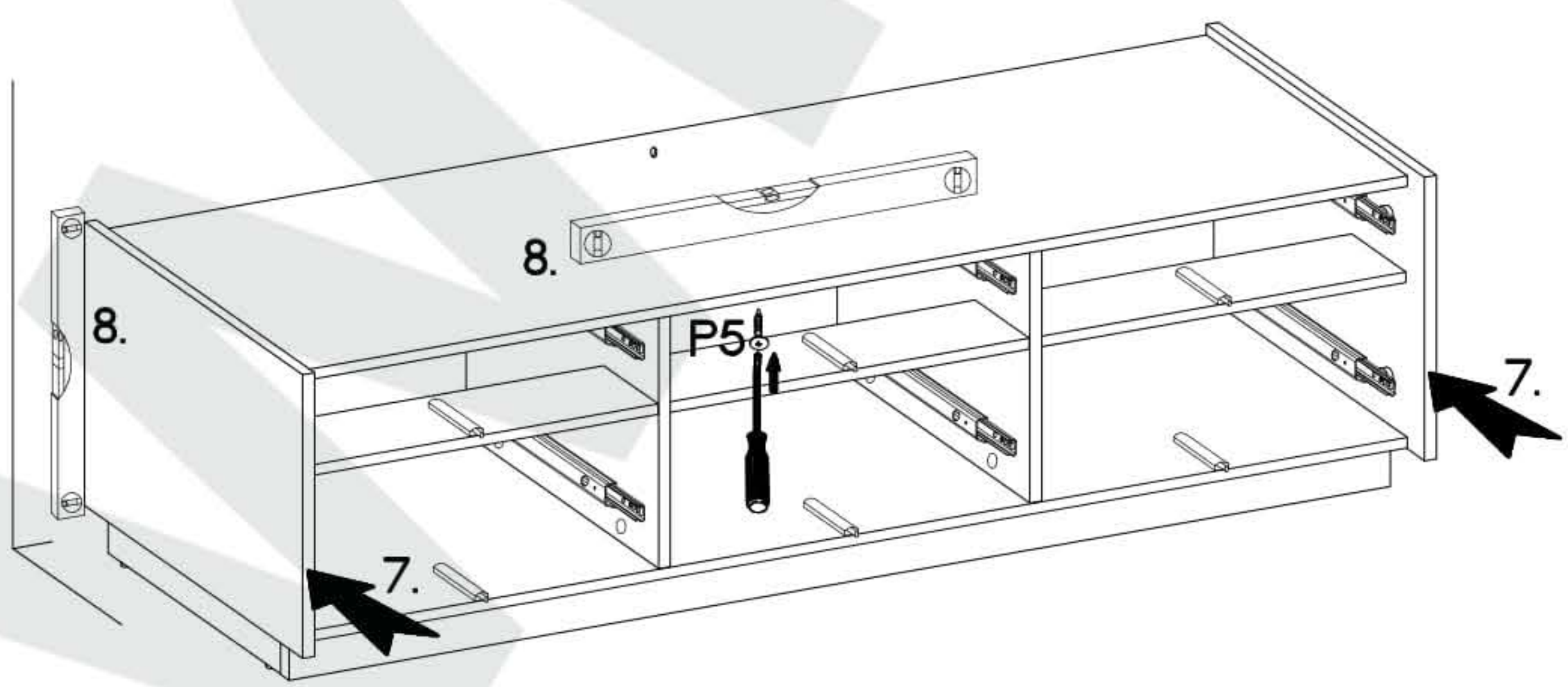
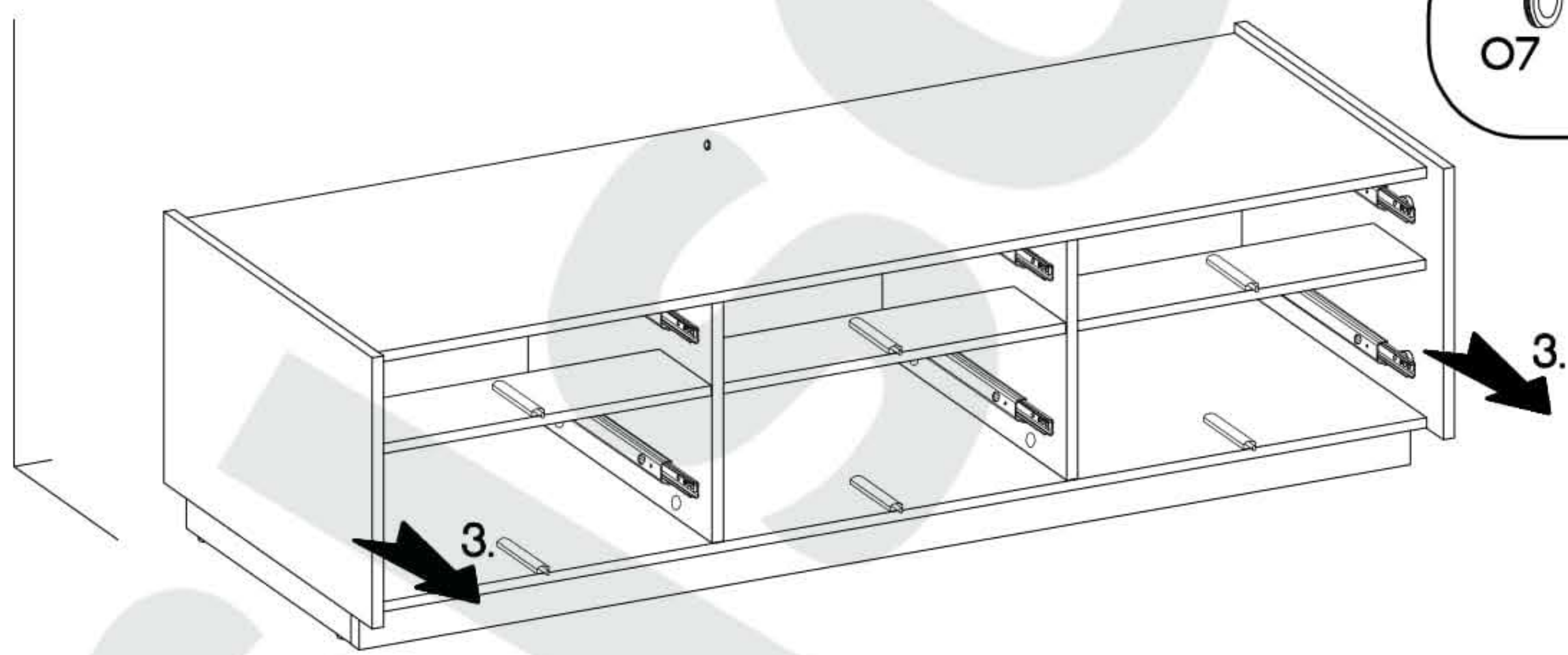
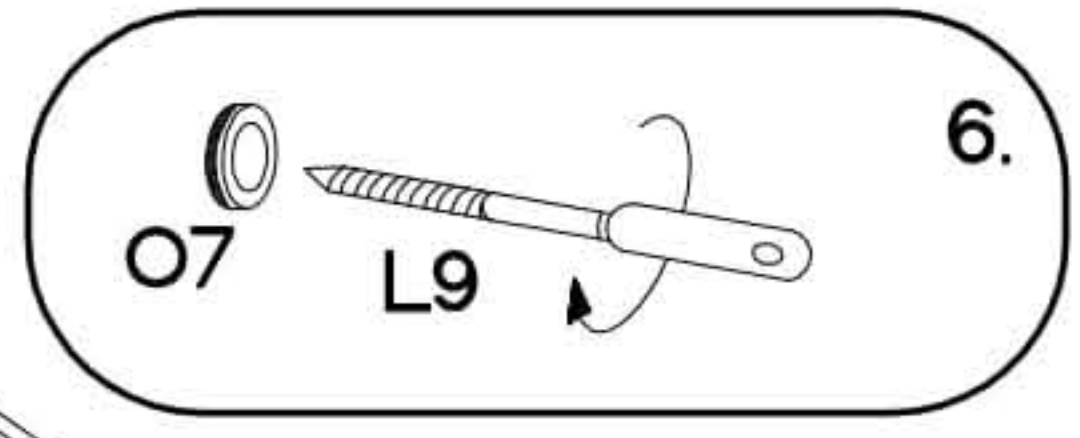
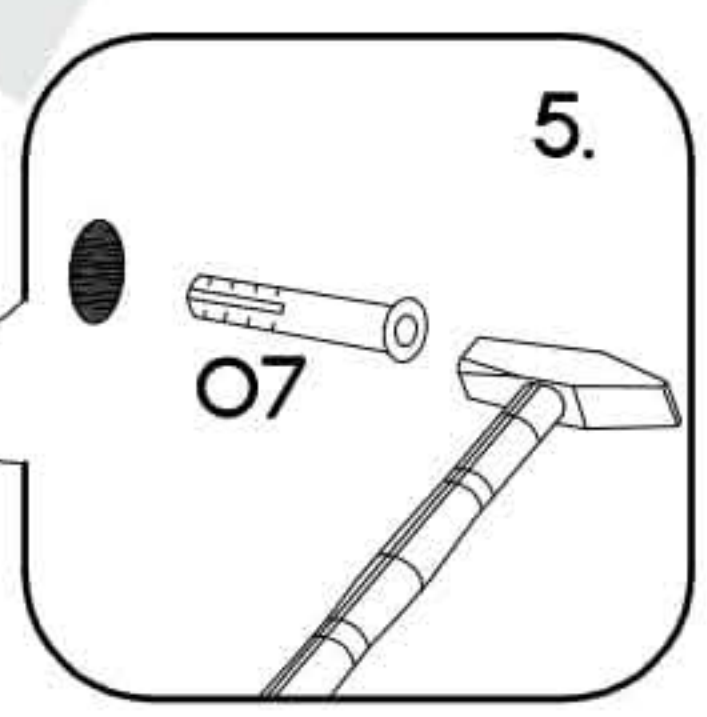
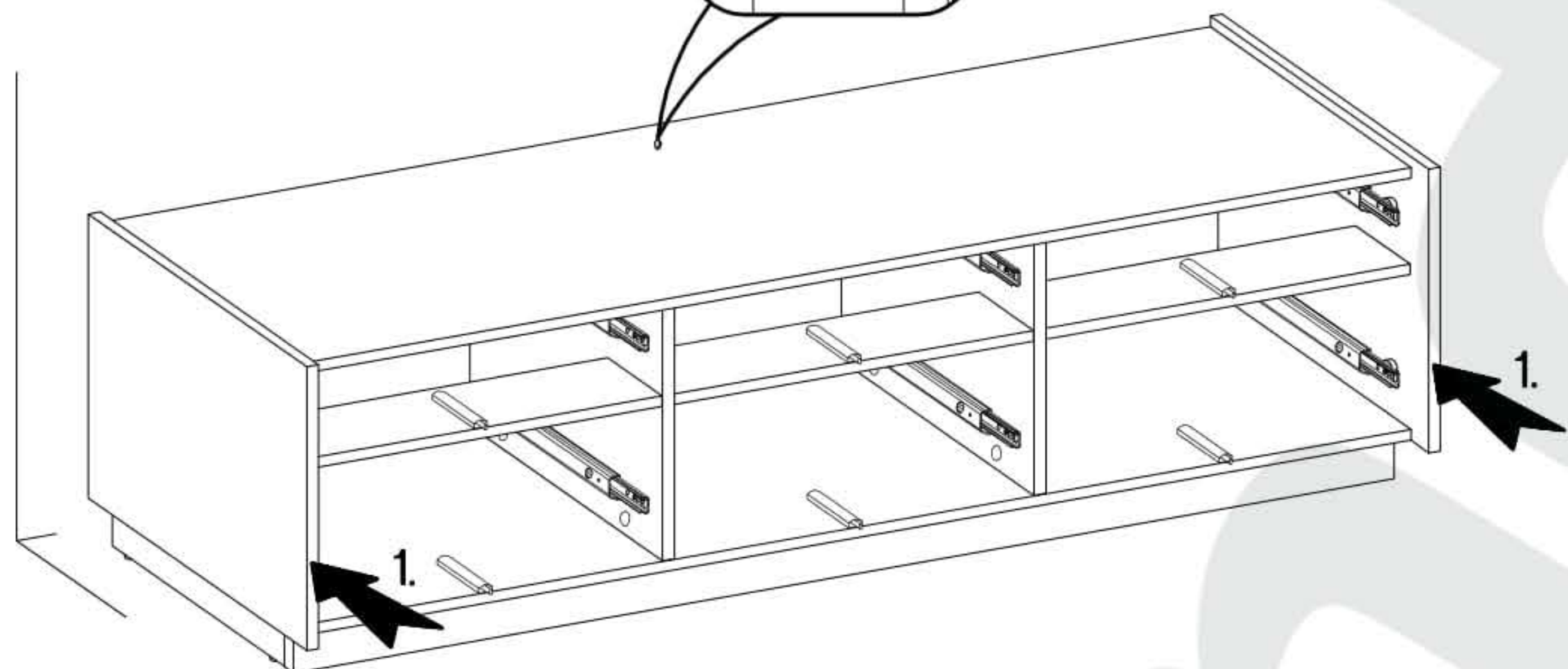
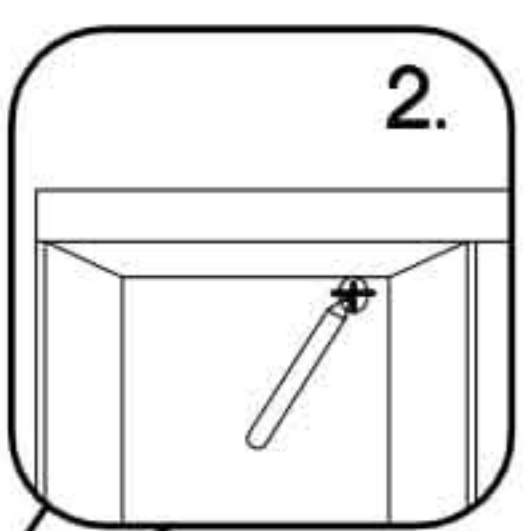
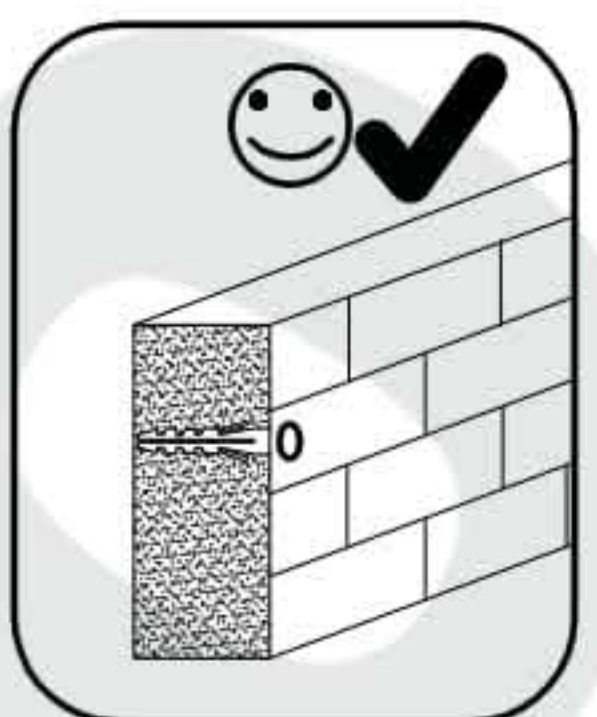
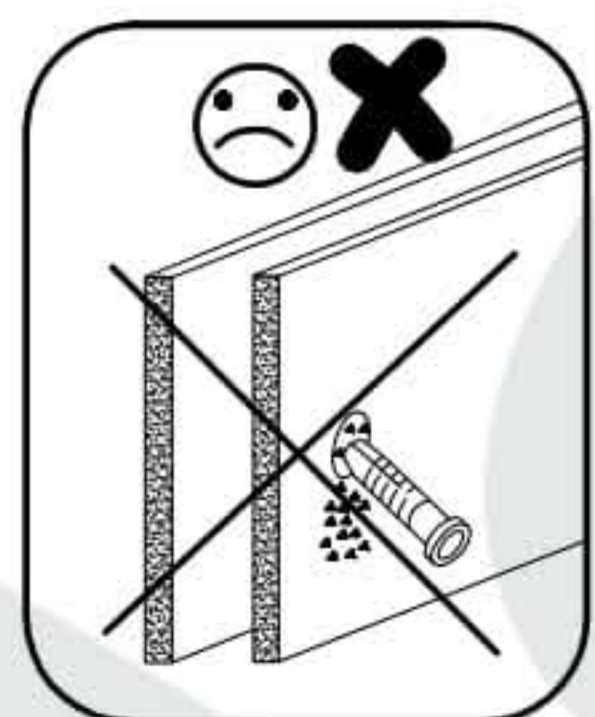
21



22



Ø10x50mm 		Ø3.5x13mm 
O7	L9	P5
1	1	1



M4x9mm
U1
12

