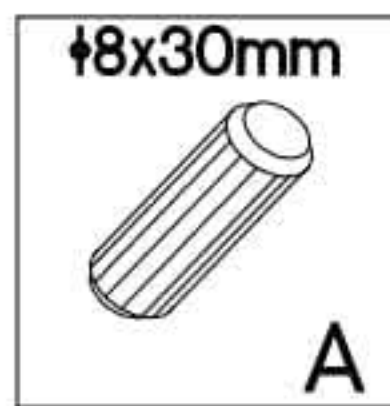
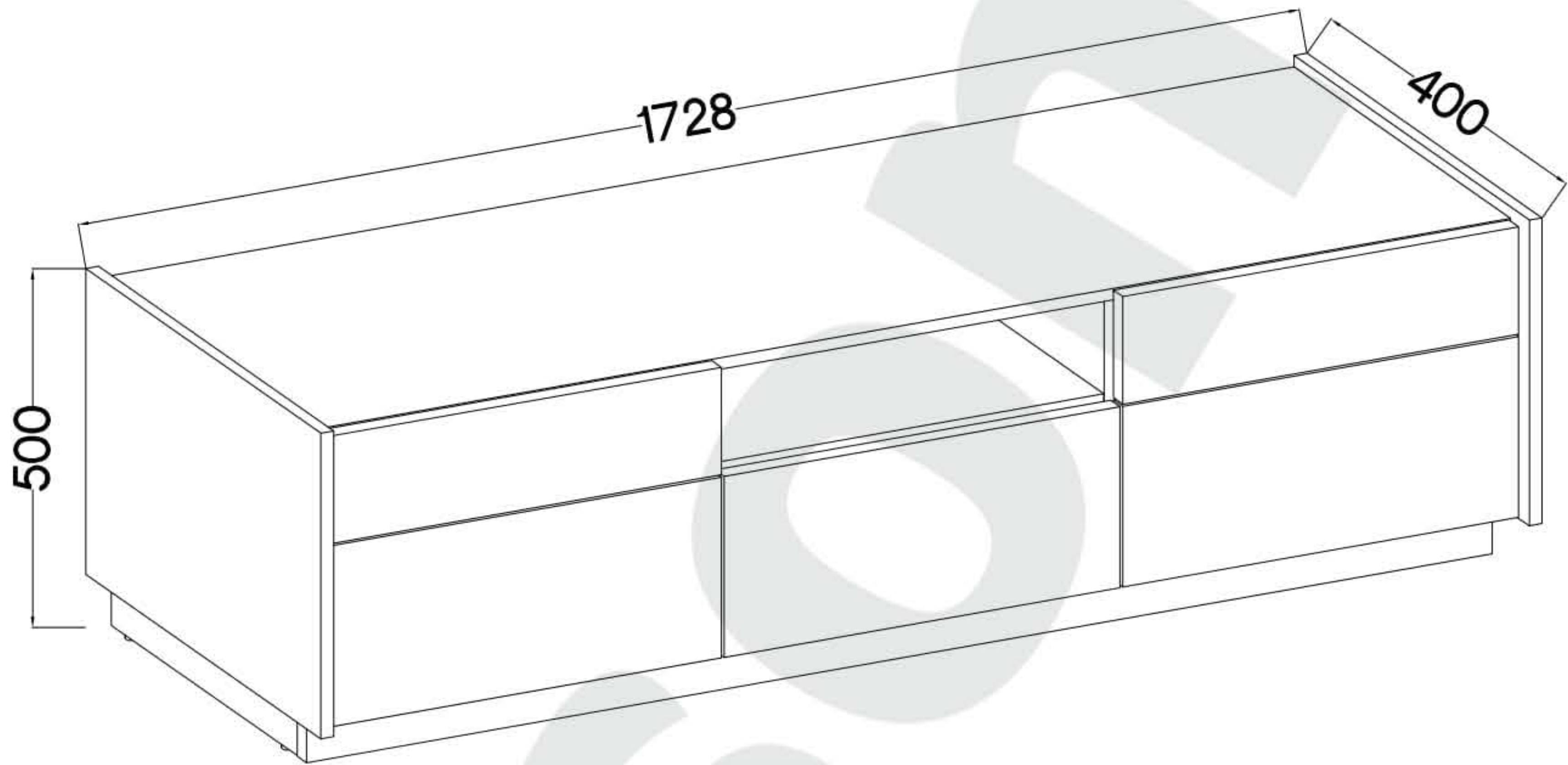


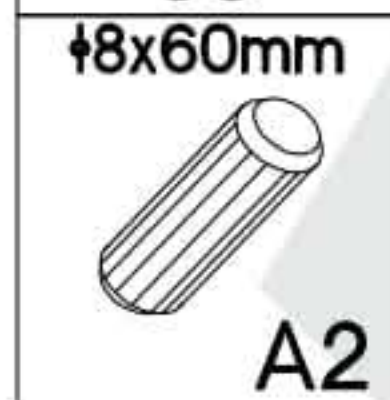
120 min

TYP 302



A

60



A2

2



B2

10



C

24



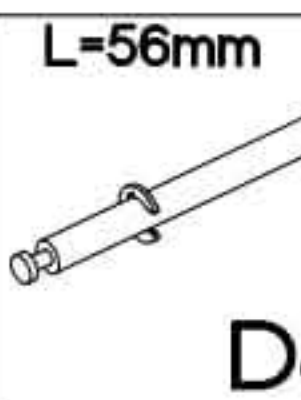
C5

10



D2

30



D4

2



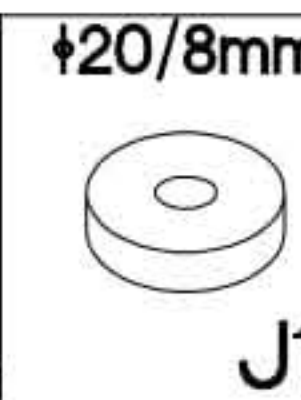
F4

8



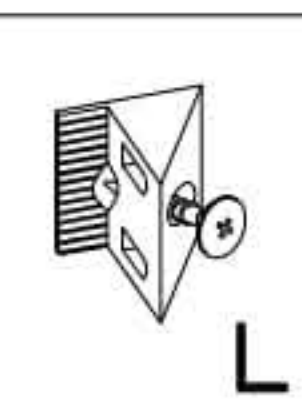
I4

5



J14

8



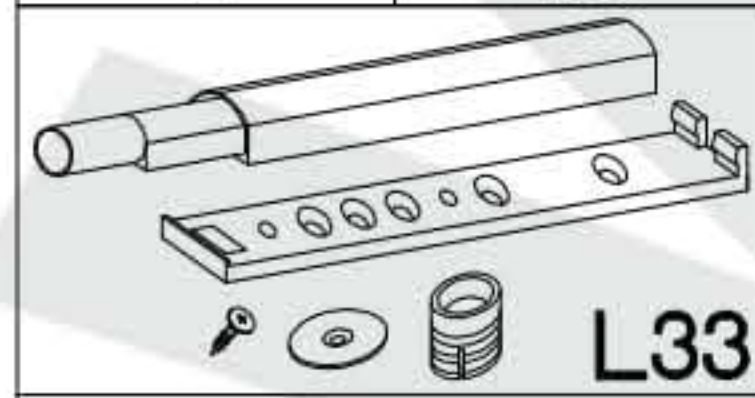
L

32



L9

1



L33

5



M2

12



M3

8



O1

1



O7

1



P1

14



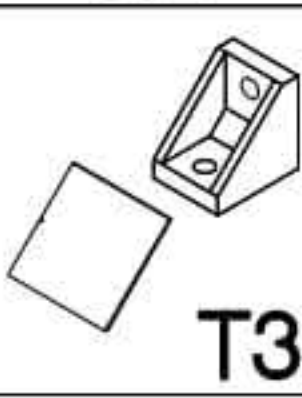
P5

11



P7

23



T3

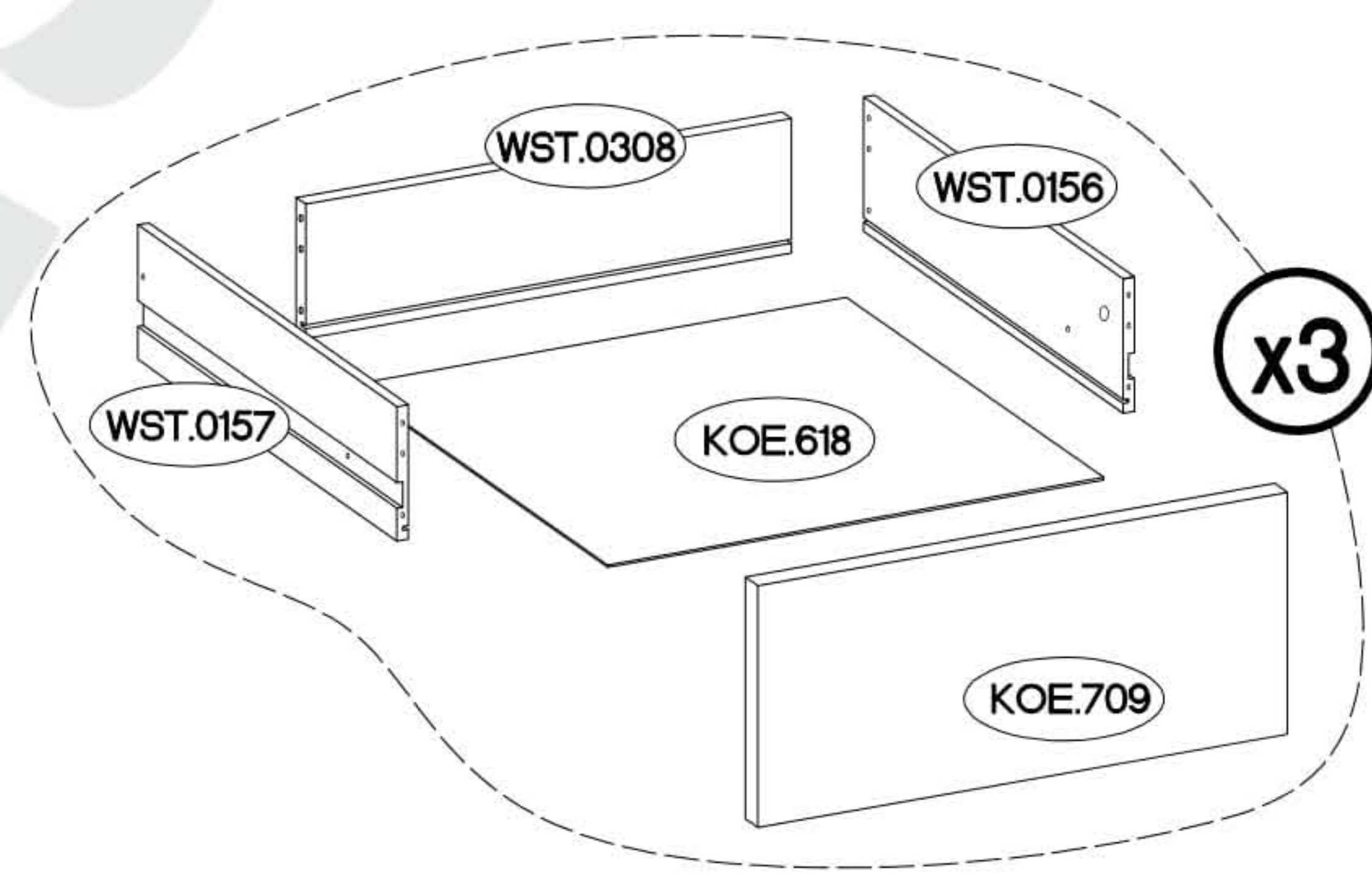
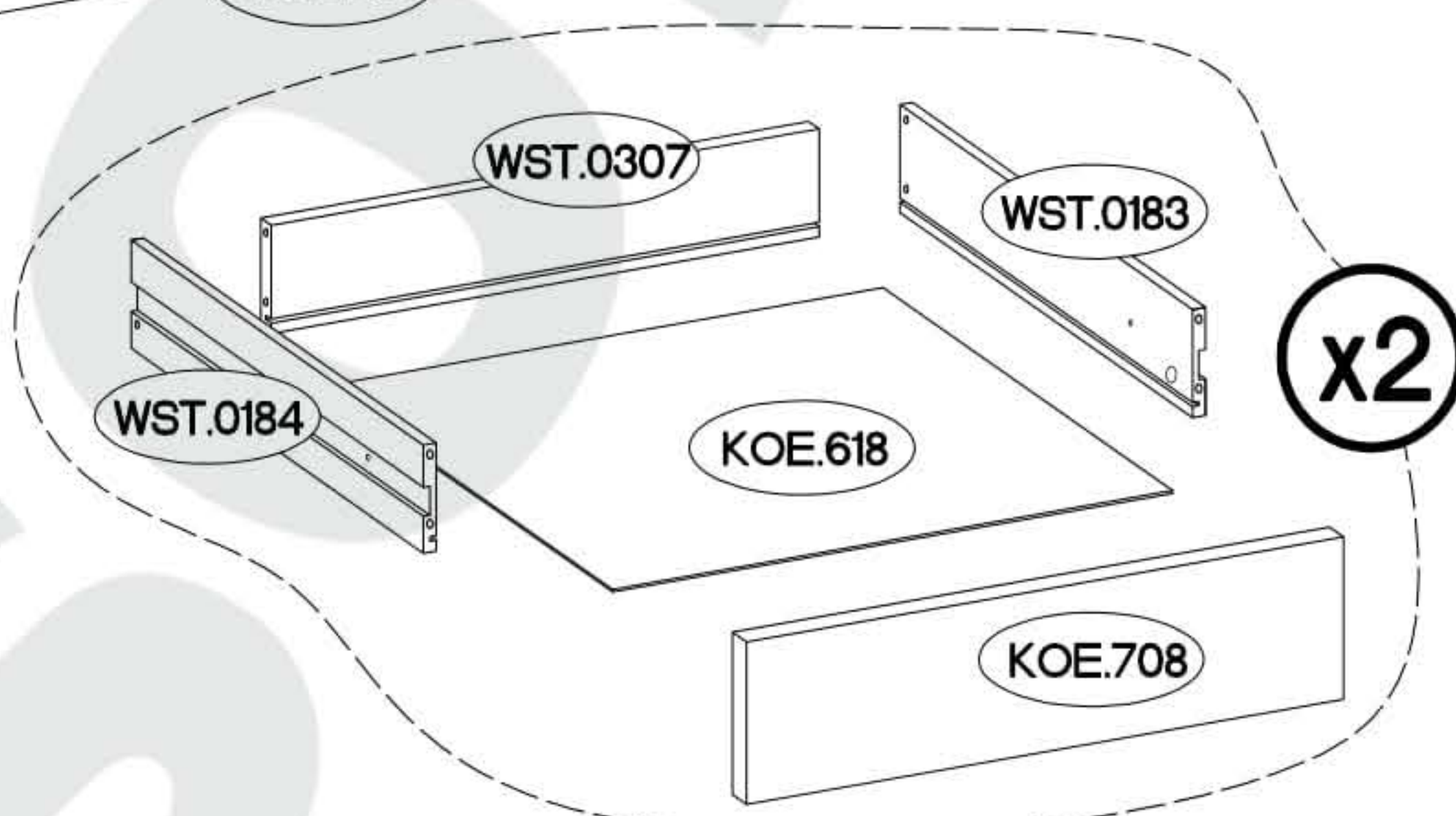
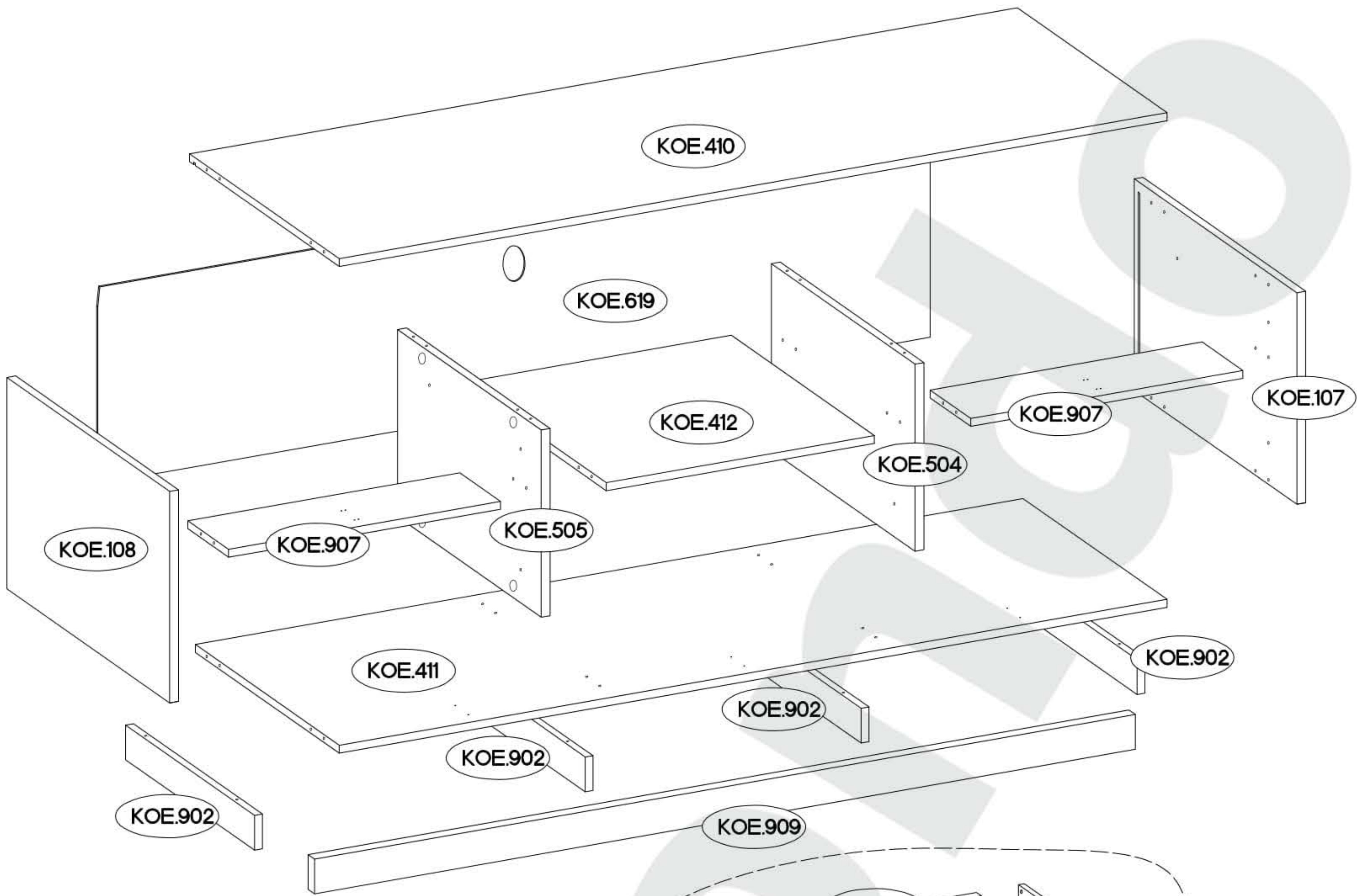
7

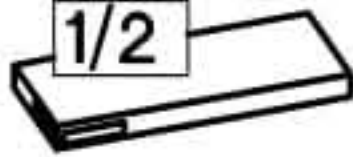



U1

10

ISM-KOE-007



	Ersatzteil Nummer	Dimension
	KOE.107	426x400x18
	KOE.108	426x400x18
	KOE.504	377x353x16
	KOE.505	377x353x16
	KOE.907 x2	556x100x16
	KOE.412	548x352x16
	KOE.902 x4	317x70x16
	KOE.618 x5	525x327x2,5
	KOE.708 x2	560x150x16
	KOE.709 x3	560x252x16
	KOE.410	1692x368x16
	KOE.411	1692x354x16
	KOE.909	1678x70x16
	KOE.619	1701x396x2,5
	WST.0183 x2	330x100x12
	WST.0184 x2	330x100x12
	WST.0307 x2	514x100x12
	WST.0156 x3	330x140x12
	WST.0157 x3	330x140x12
WST.0308 x3	514x140x12	



KOE.410


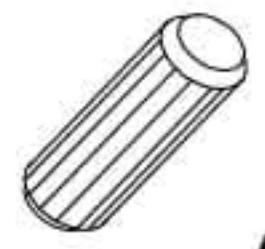


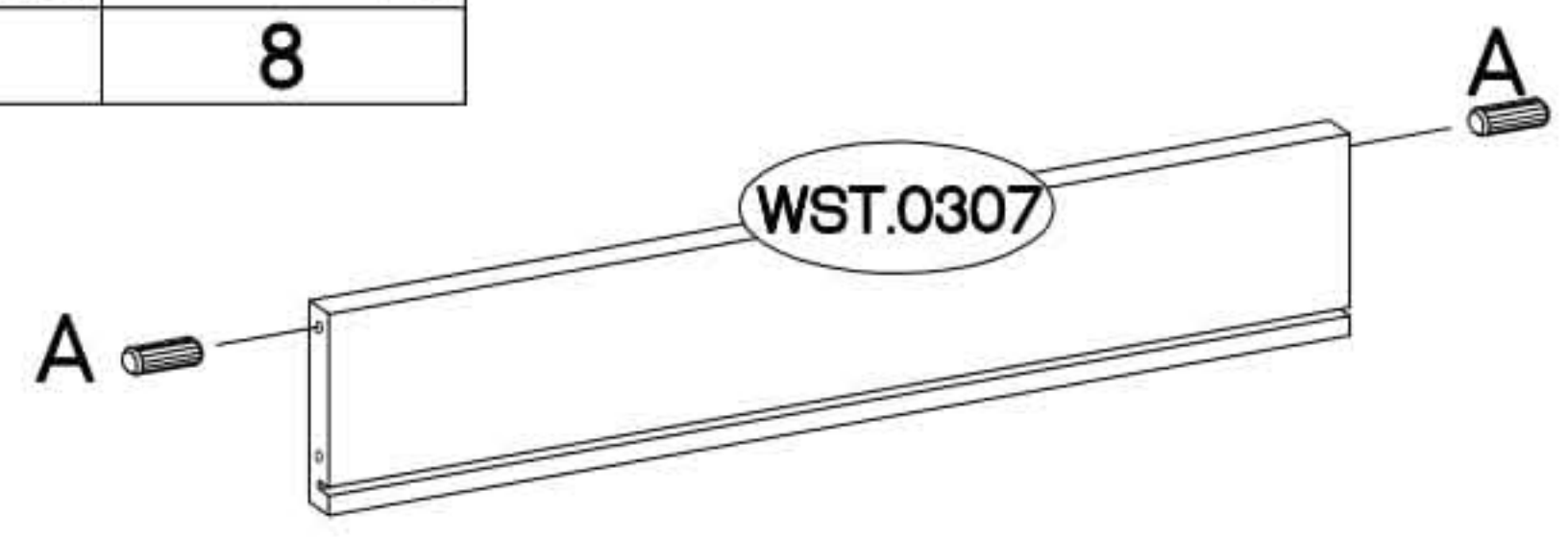
KOE.412



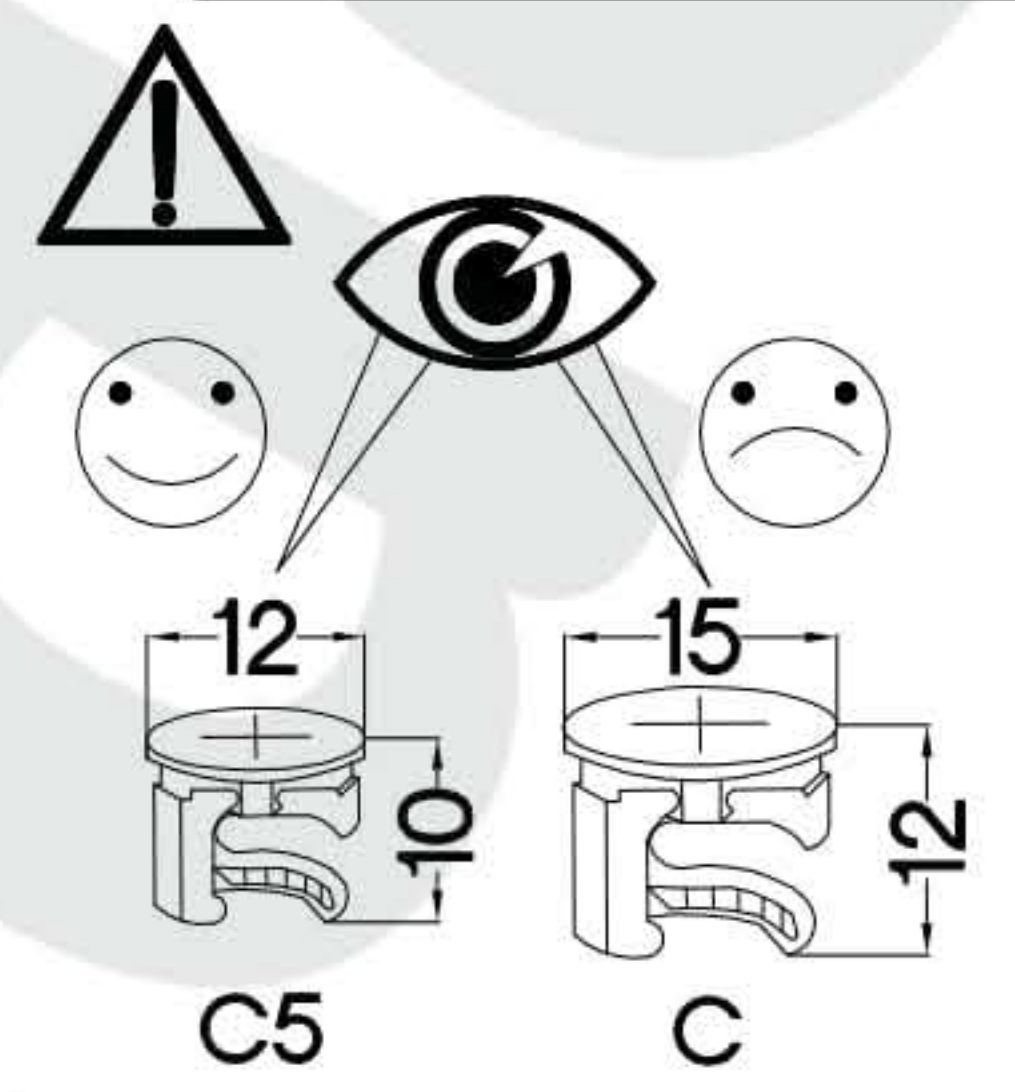
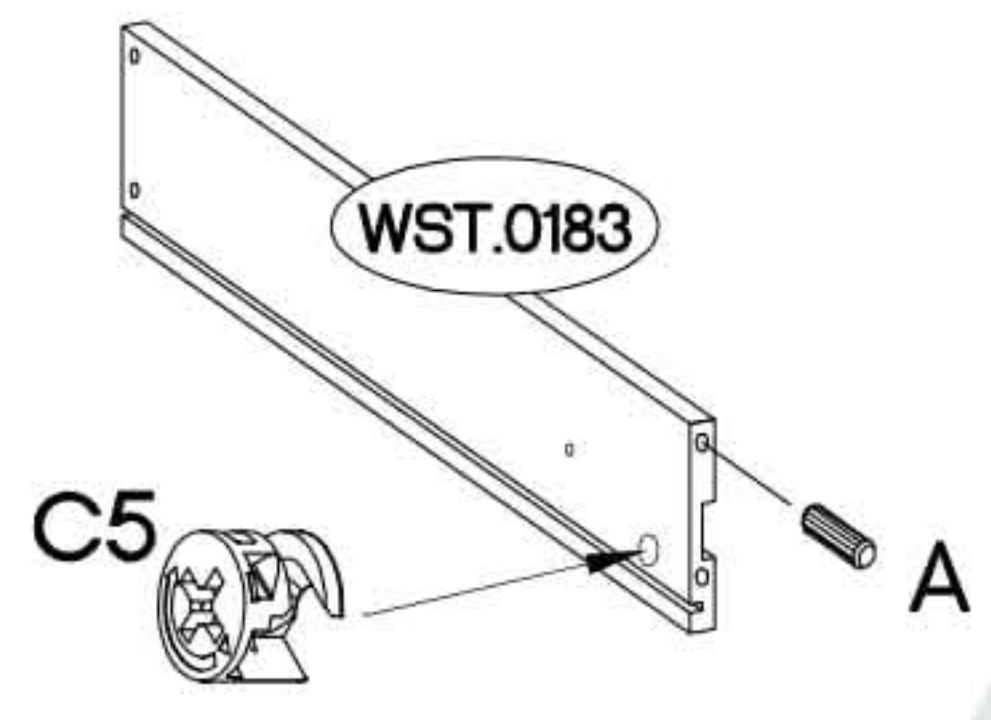
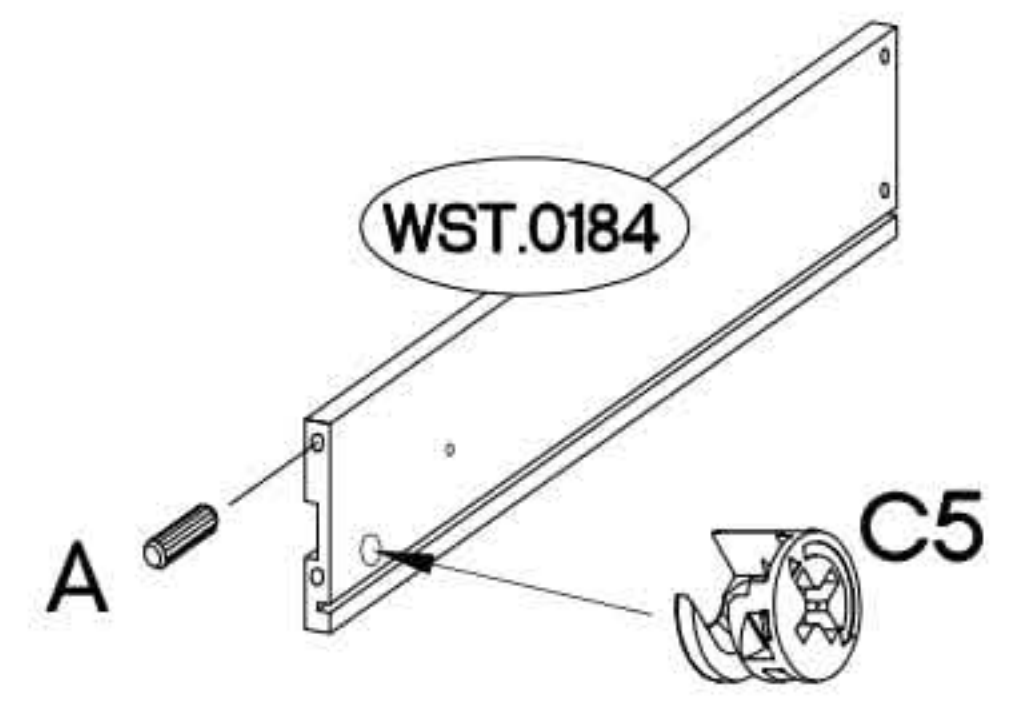
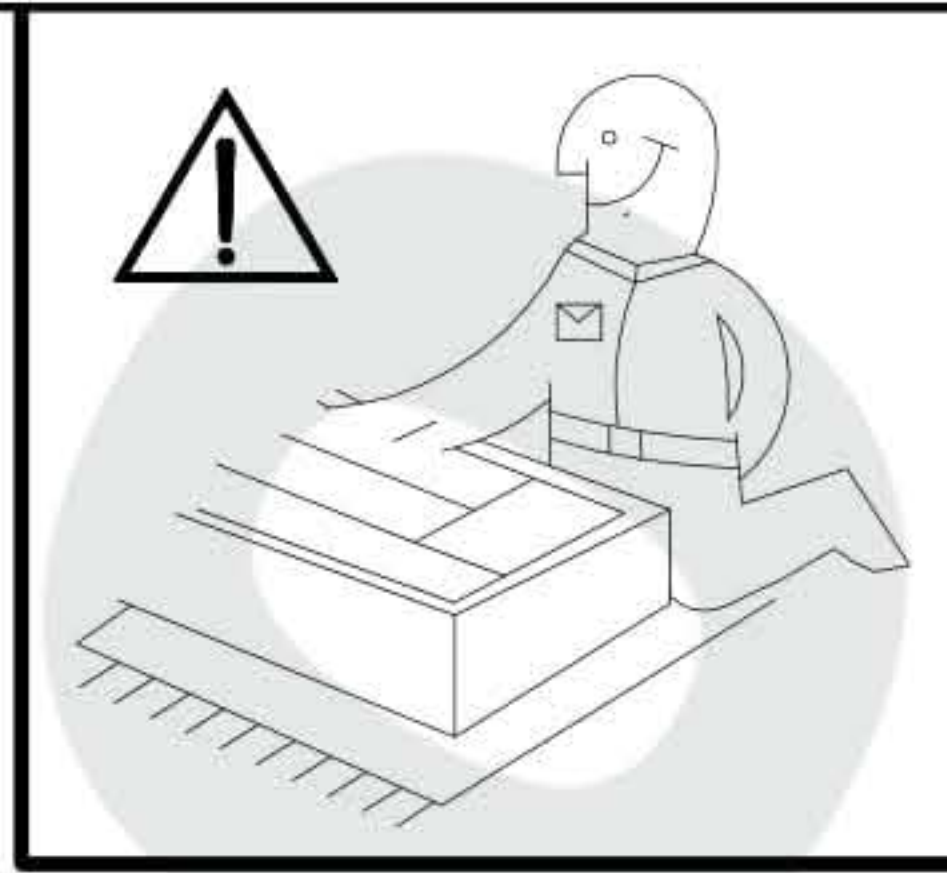
KOE.618

1

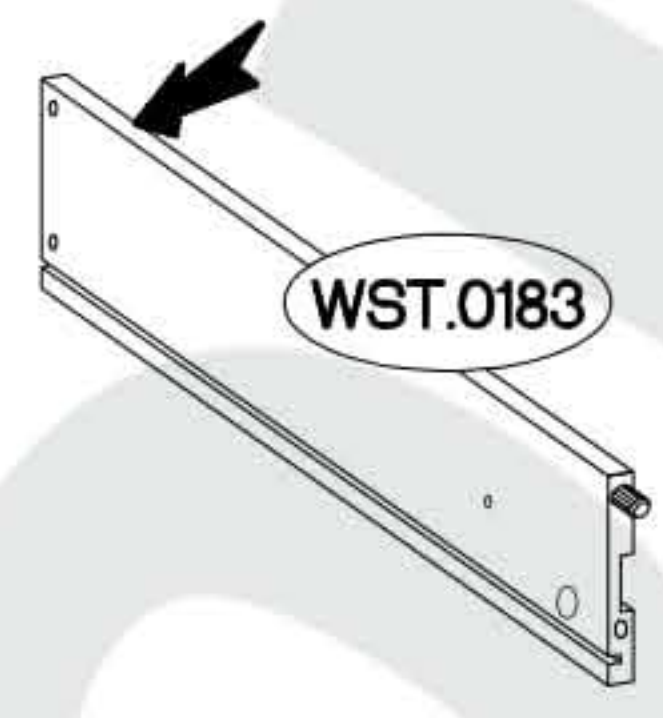
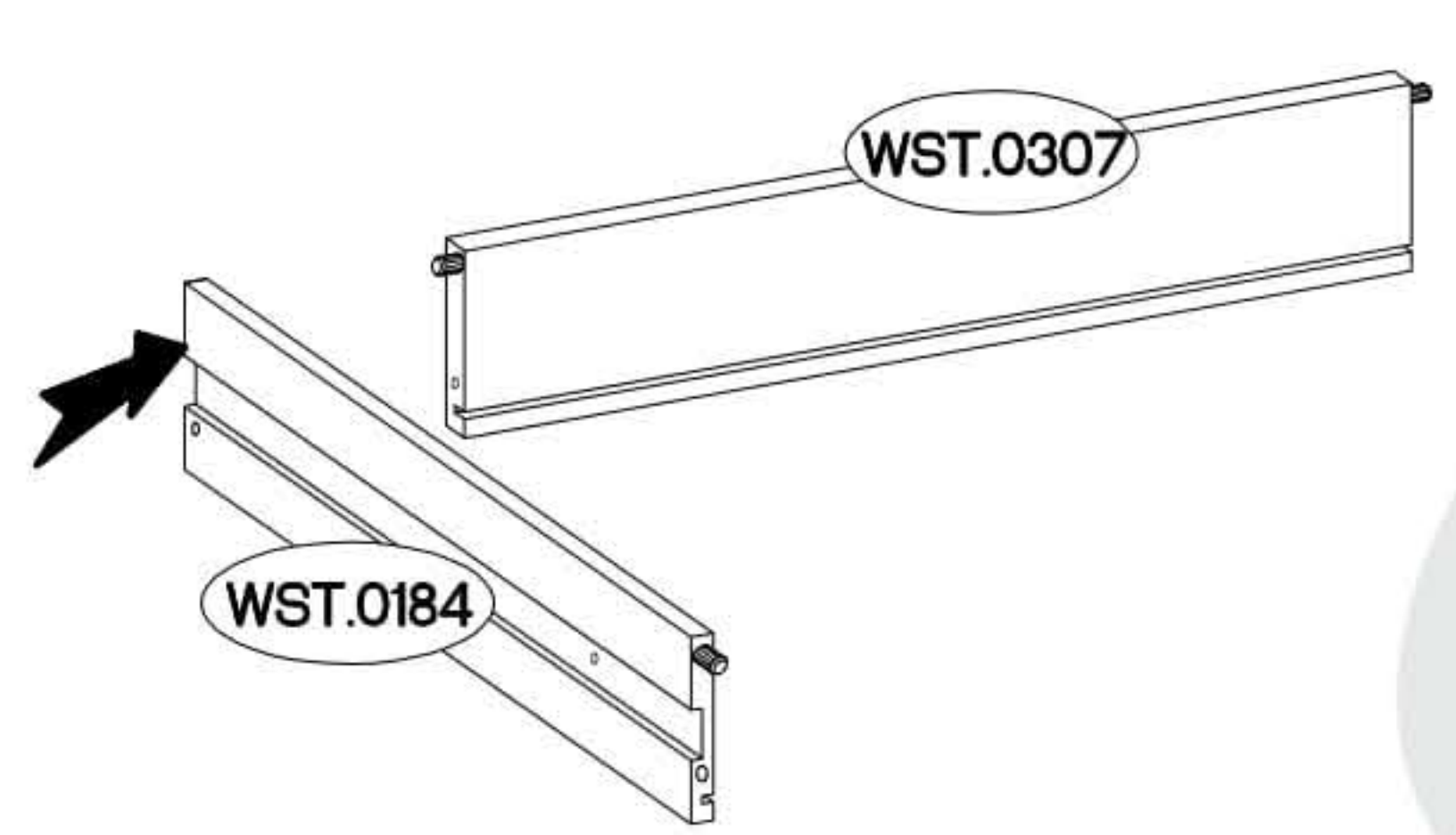
†12/10mm  C5 4	†8x30mm  A 8
--	--




x2

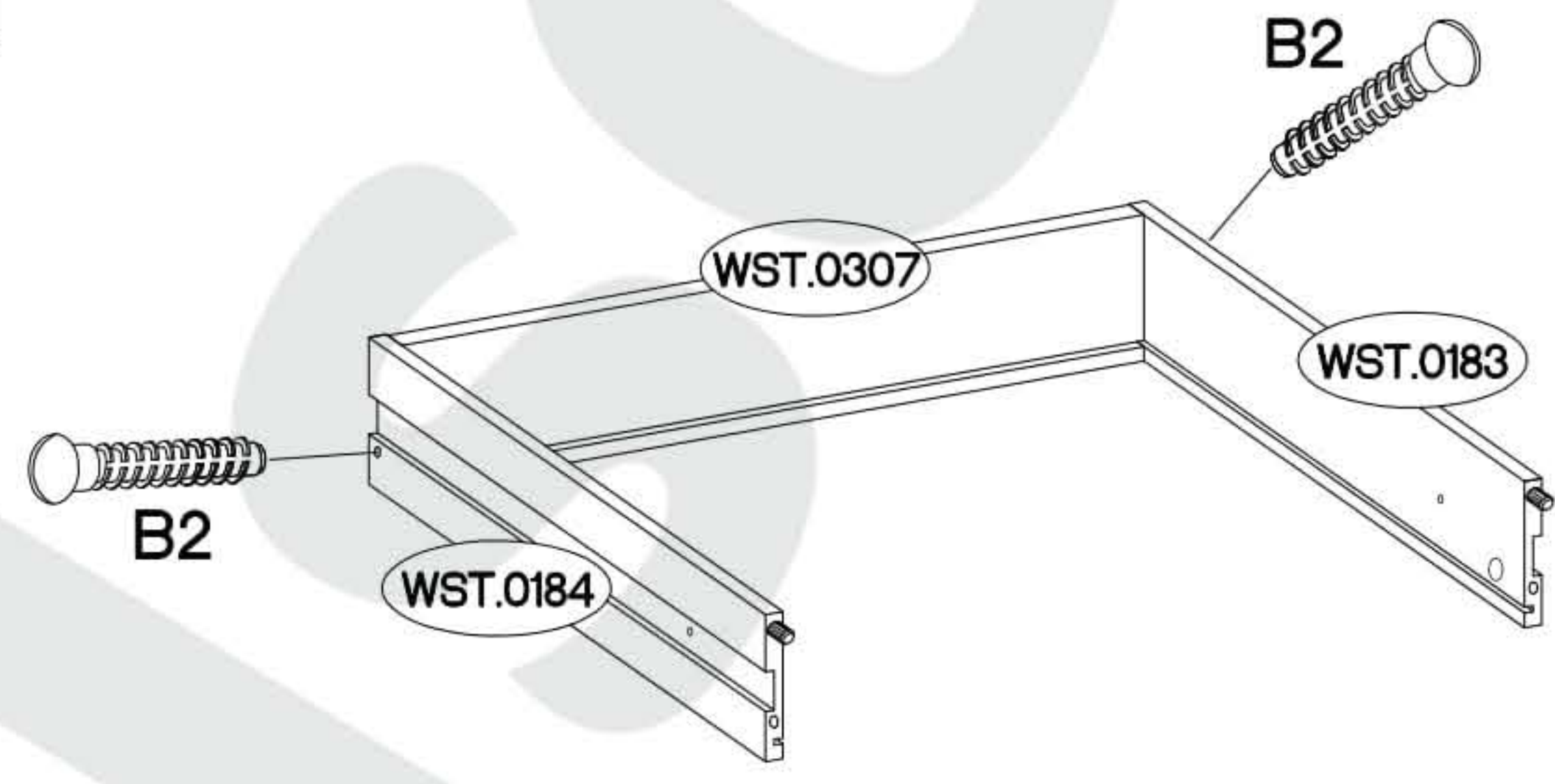
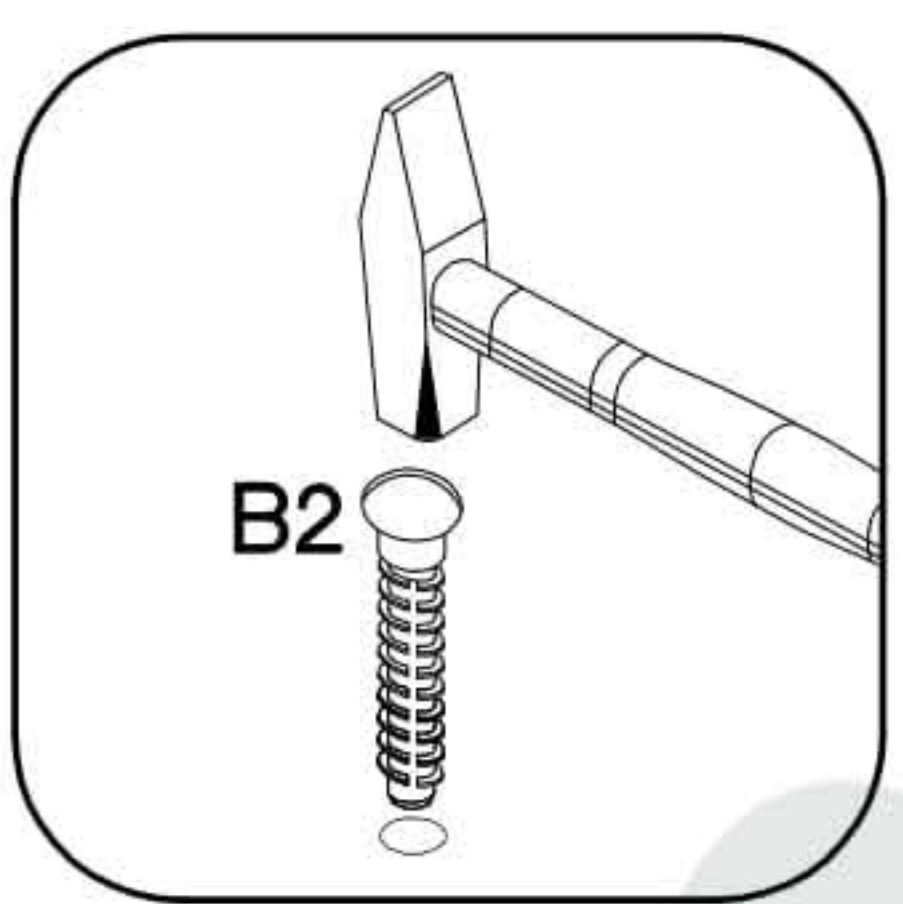


2


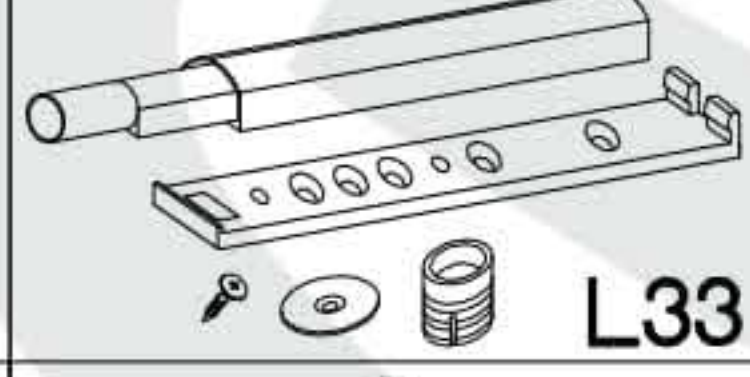


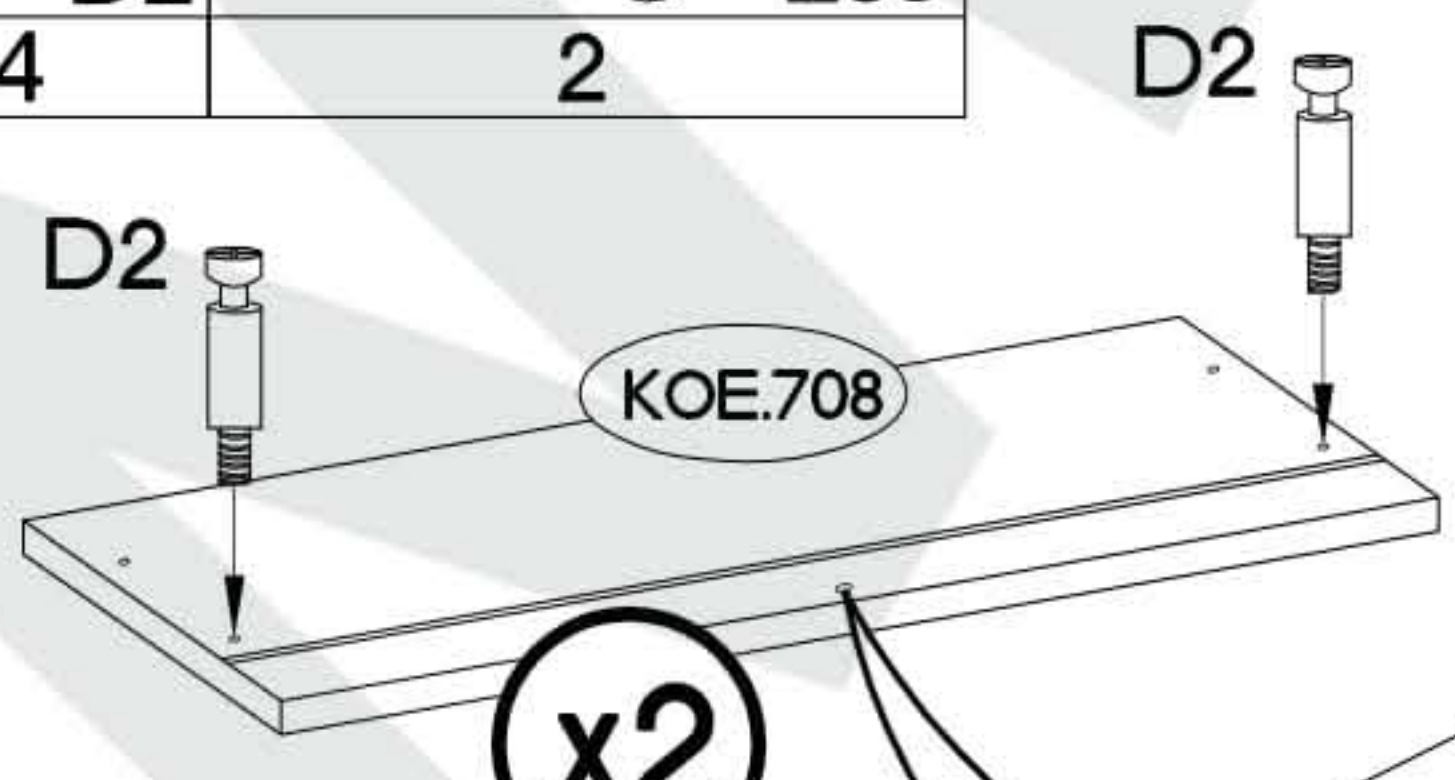
x2

†6x42mm  B2 4
--

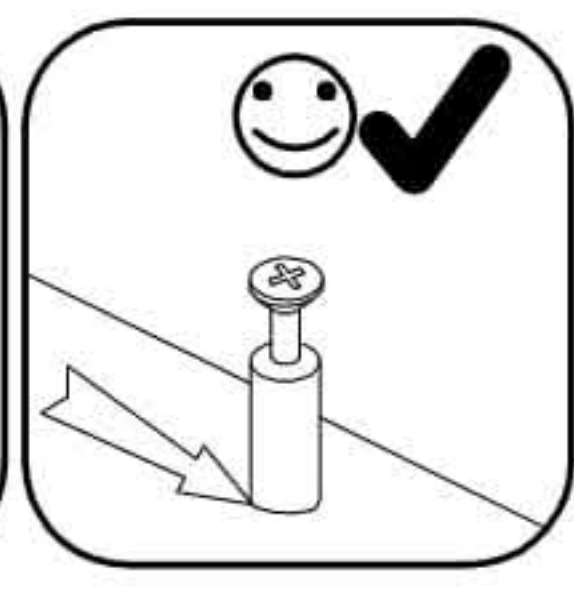
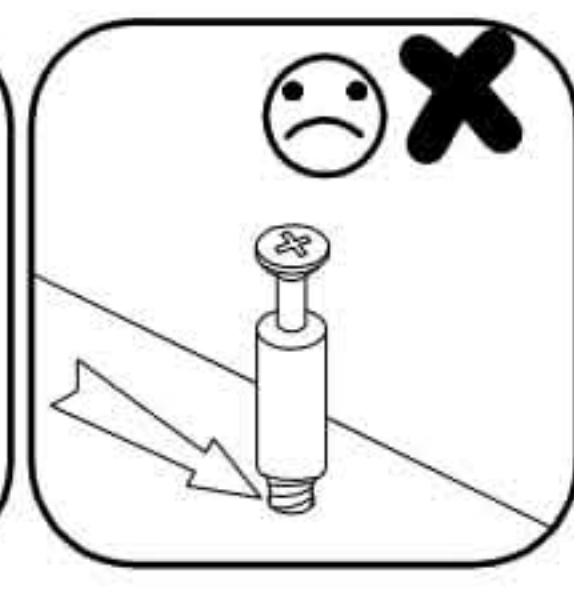
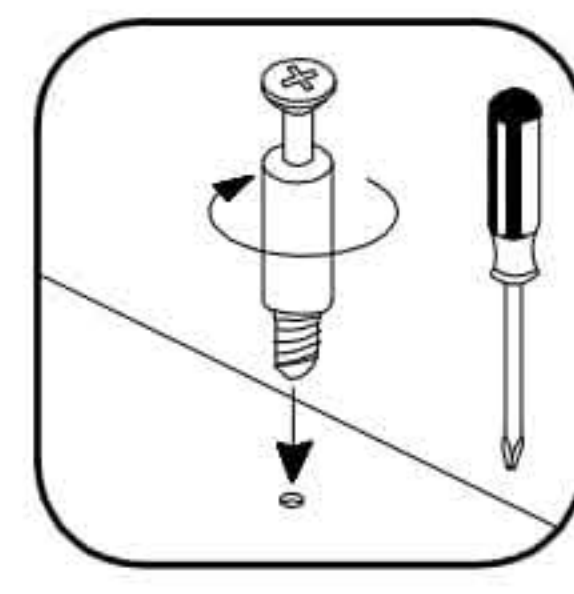
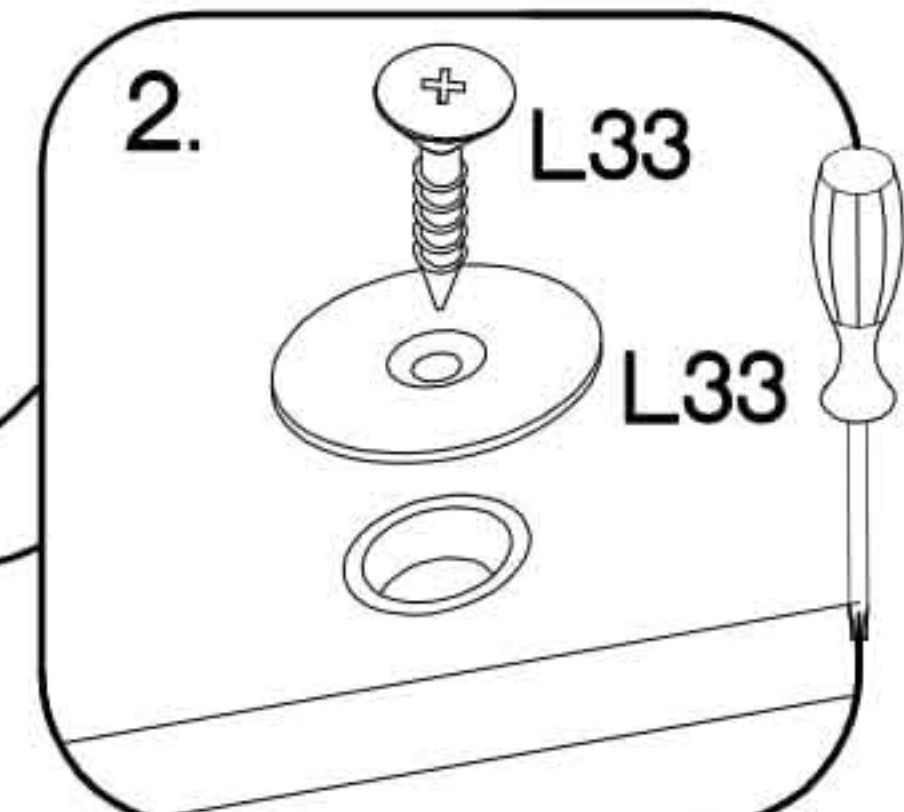
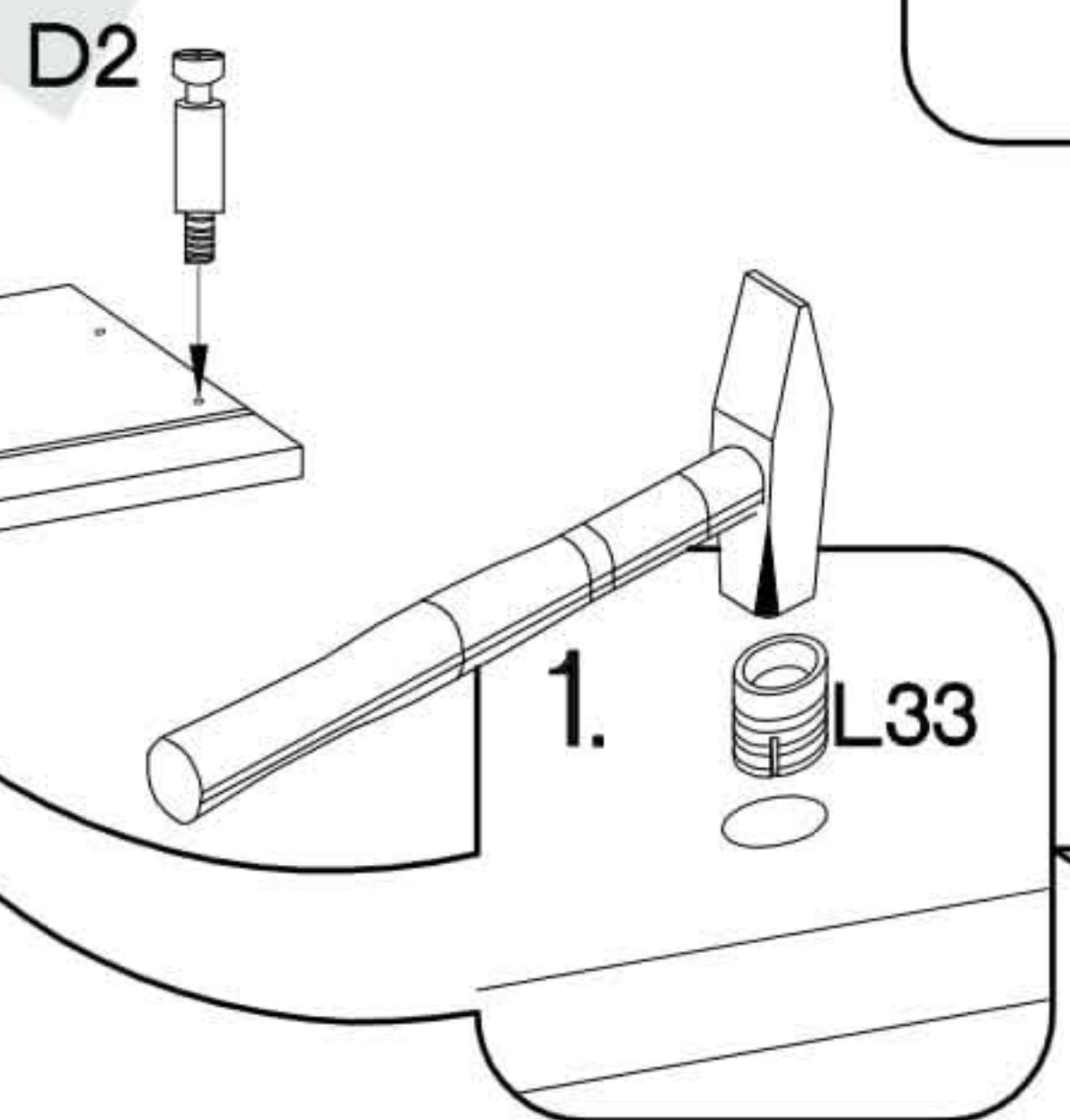


3

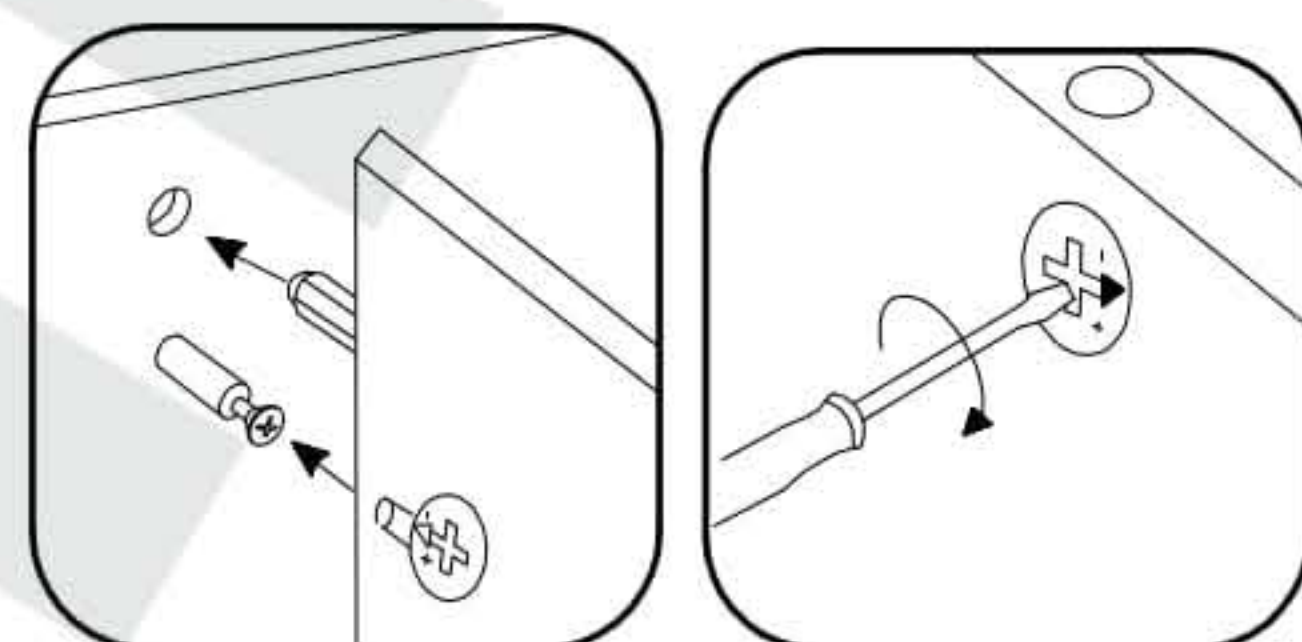
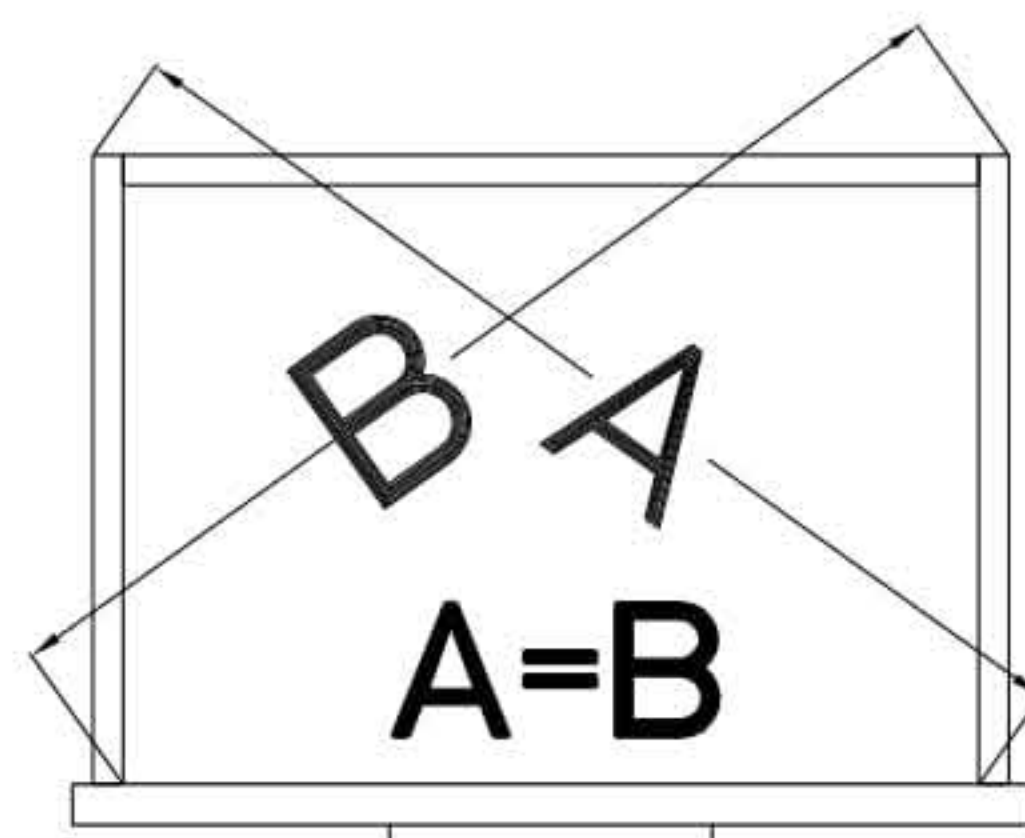
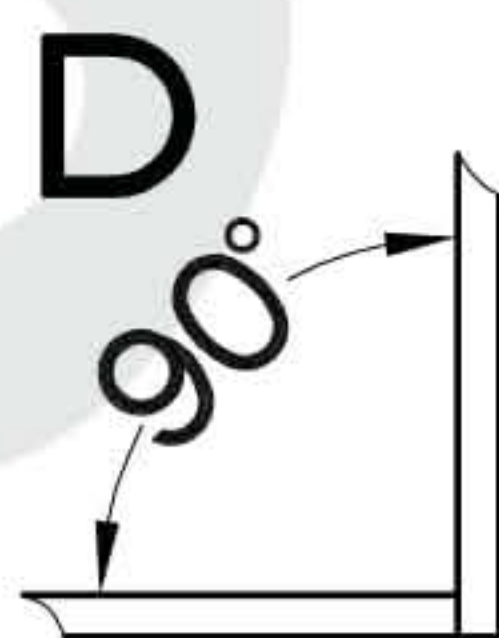
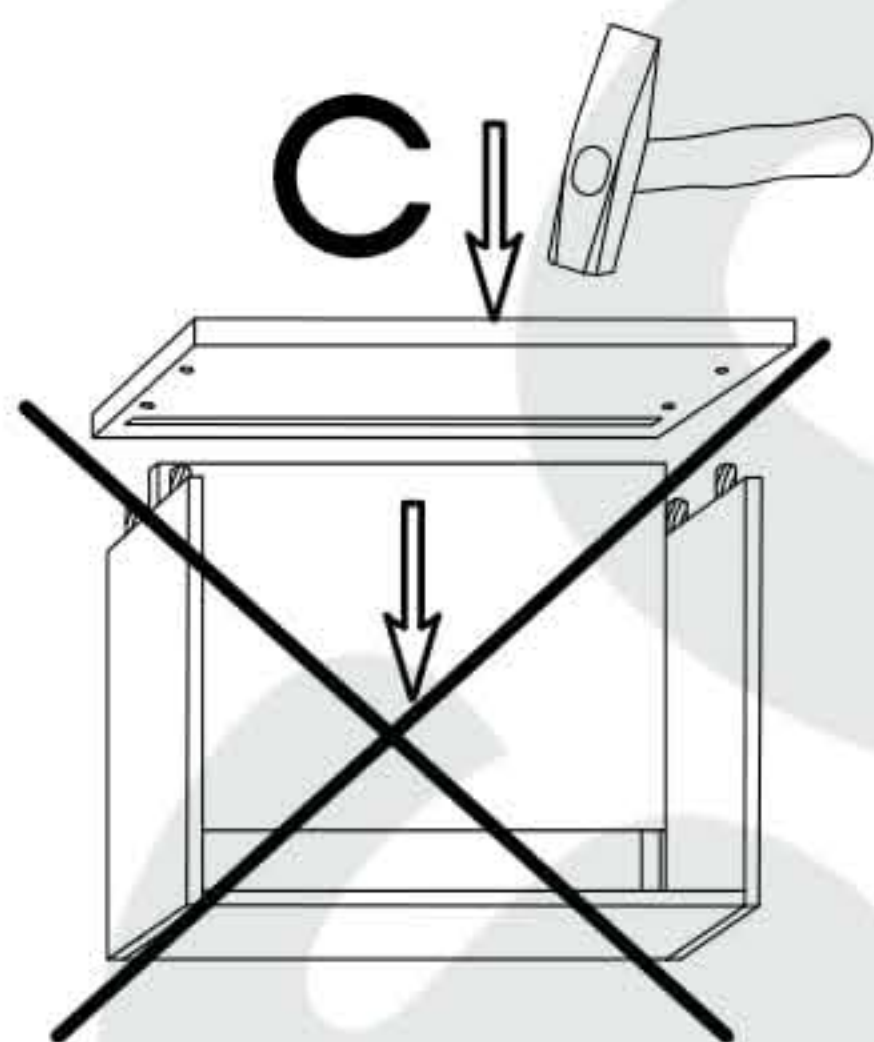
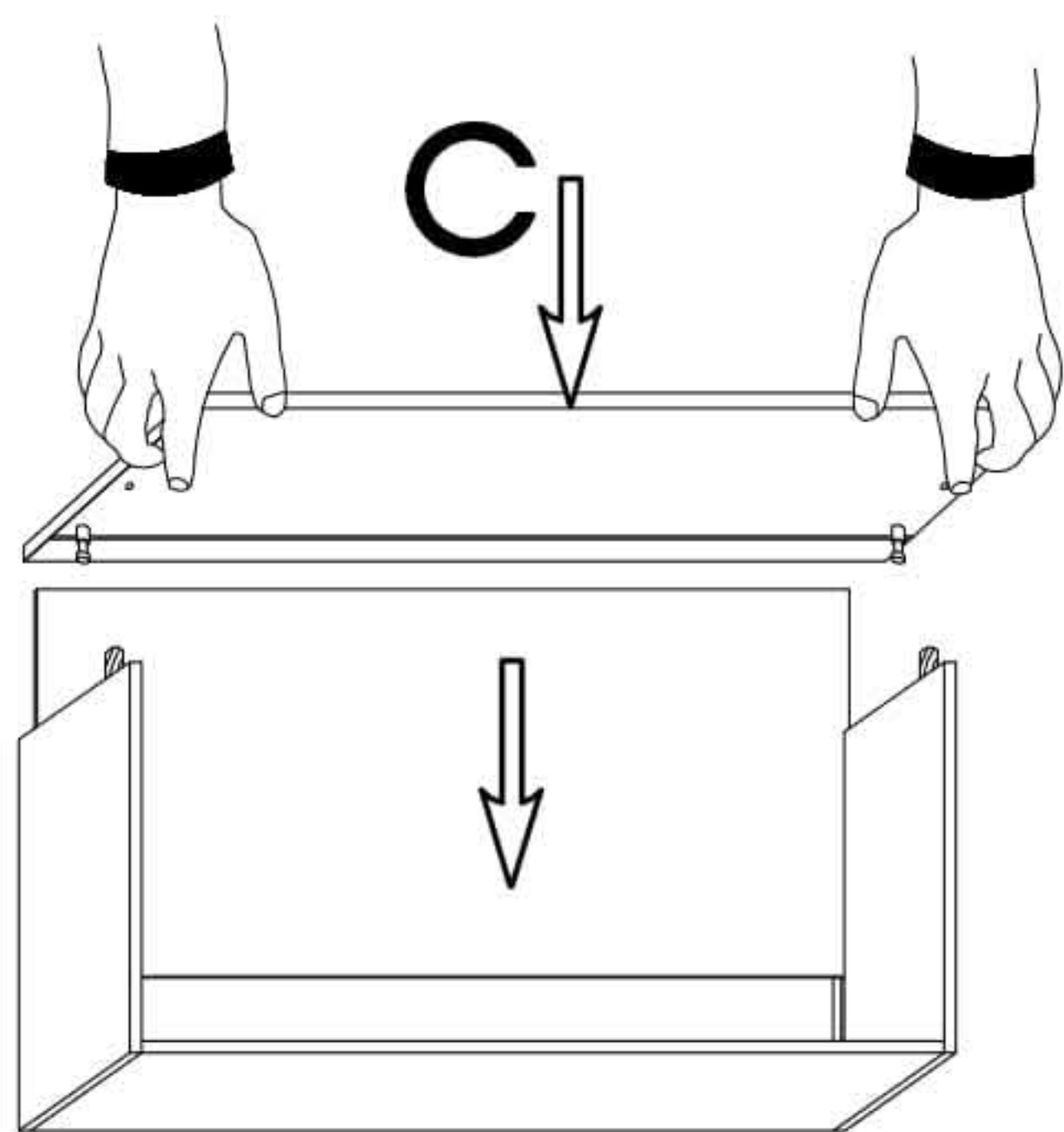
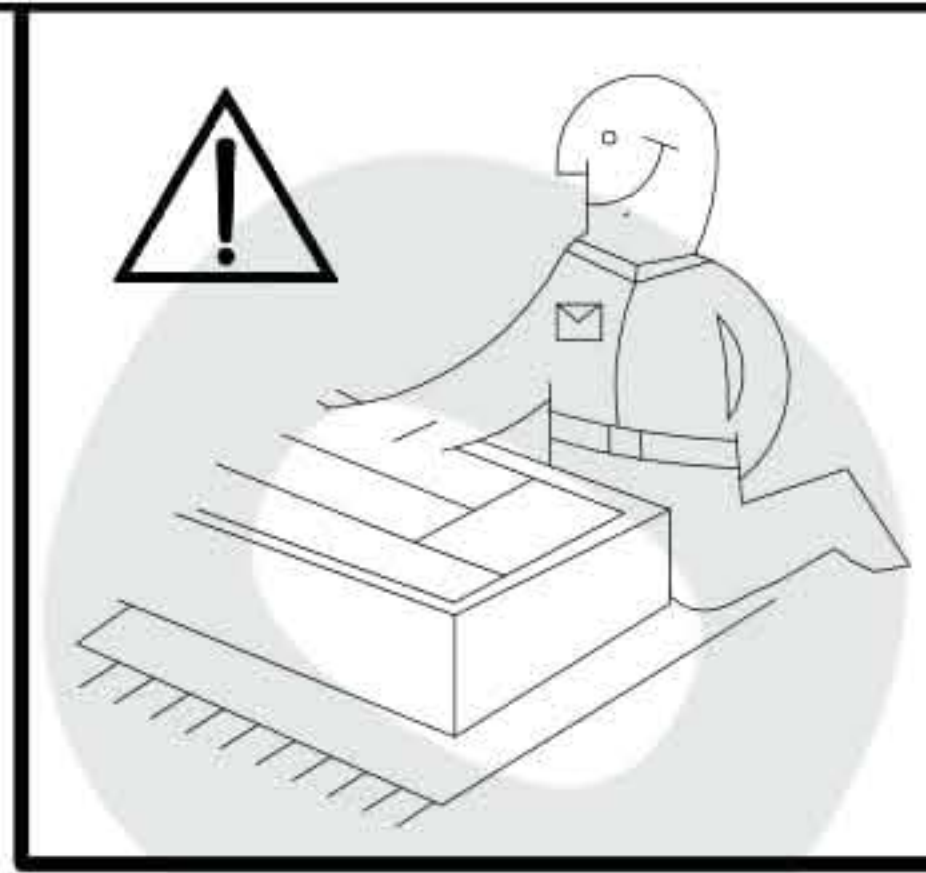
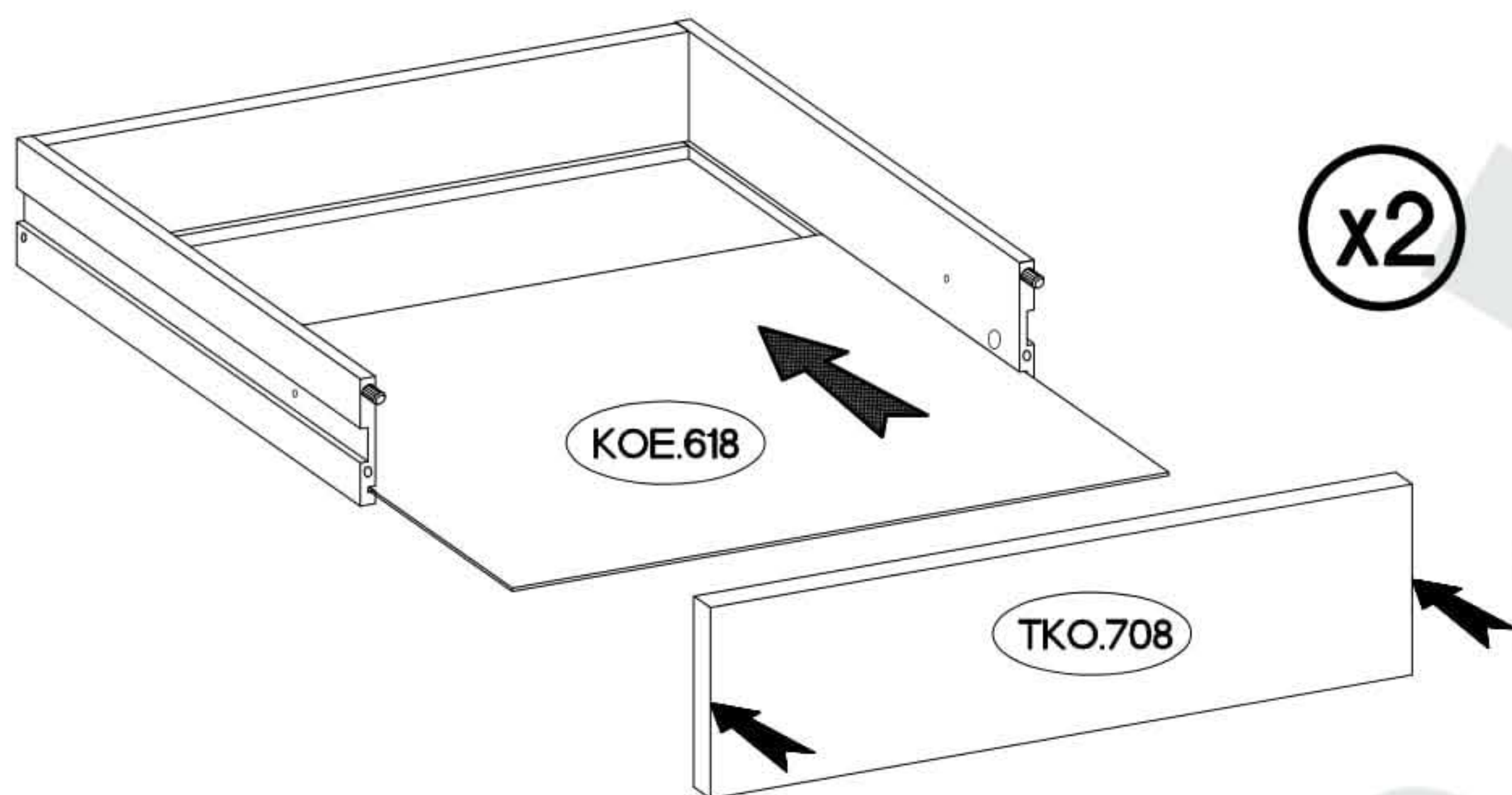
L=20mm  D2 4	 L33 2
---	--



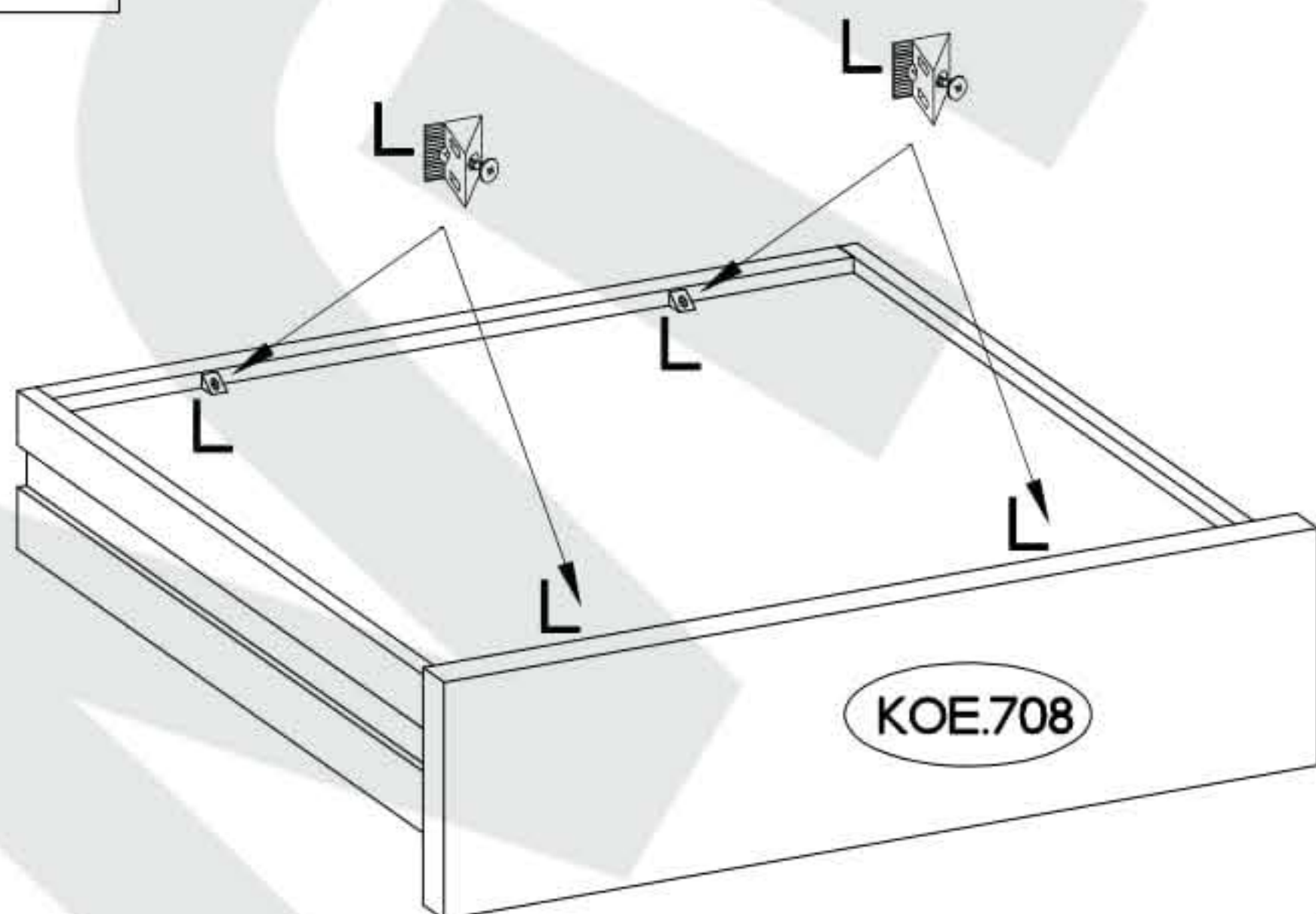
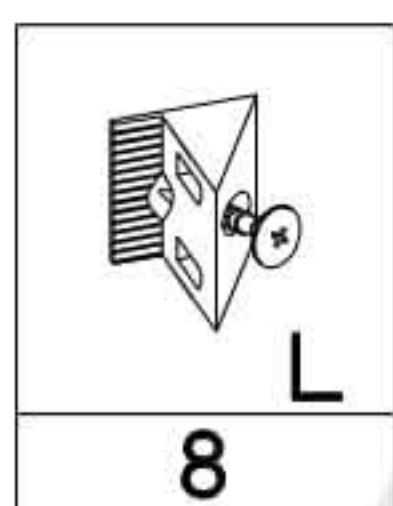
x2



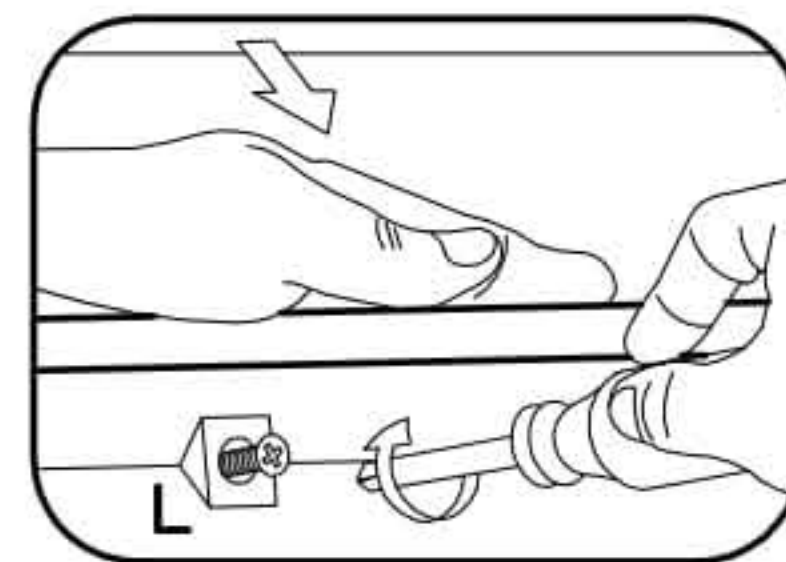
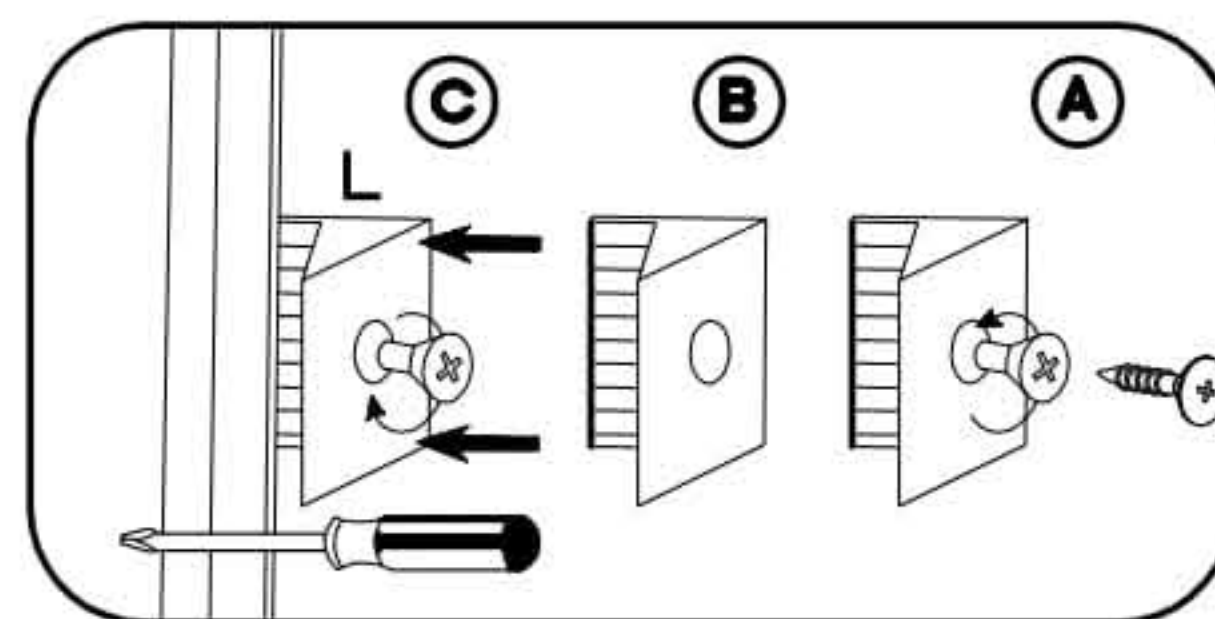
4




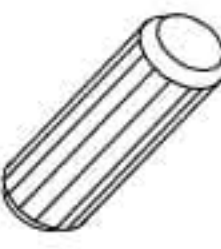
5

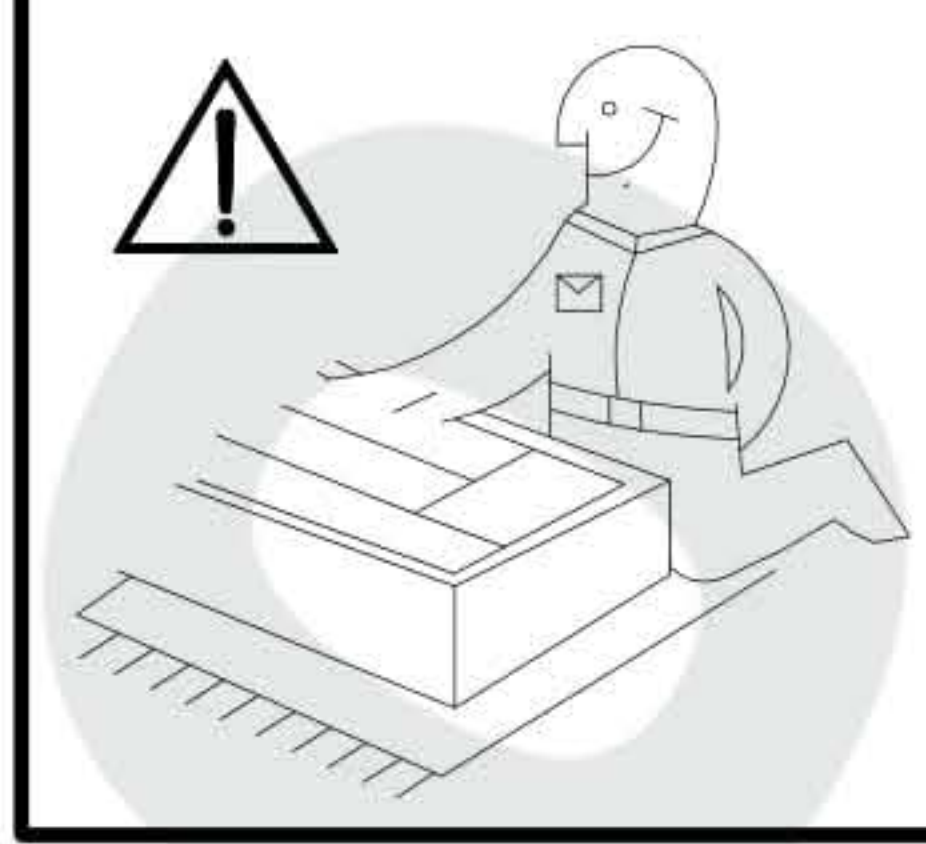
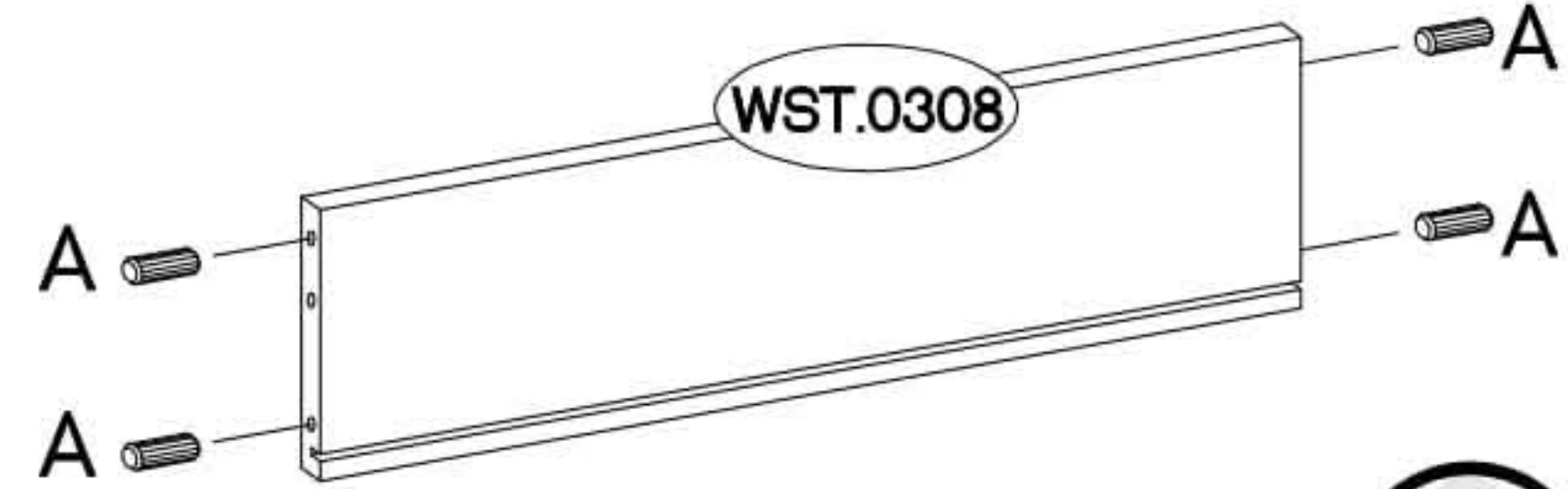


x2

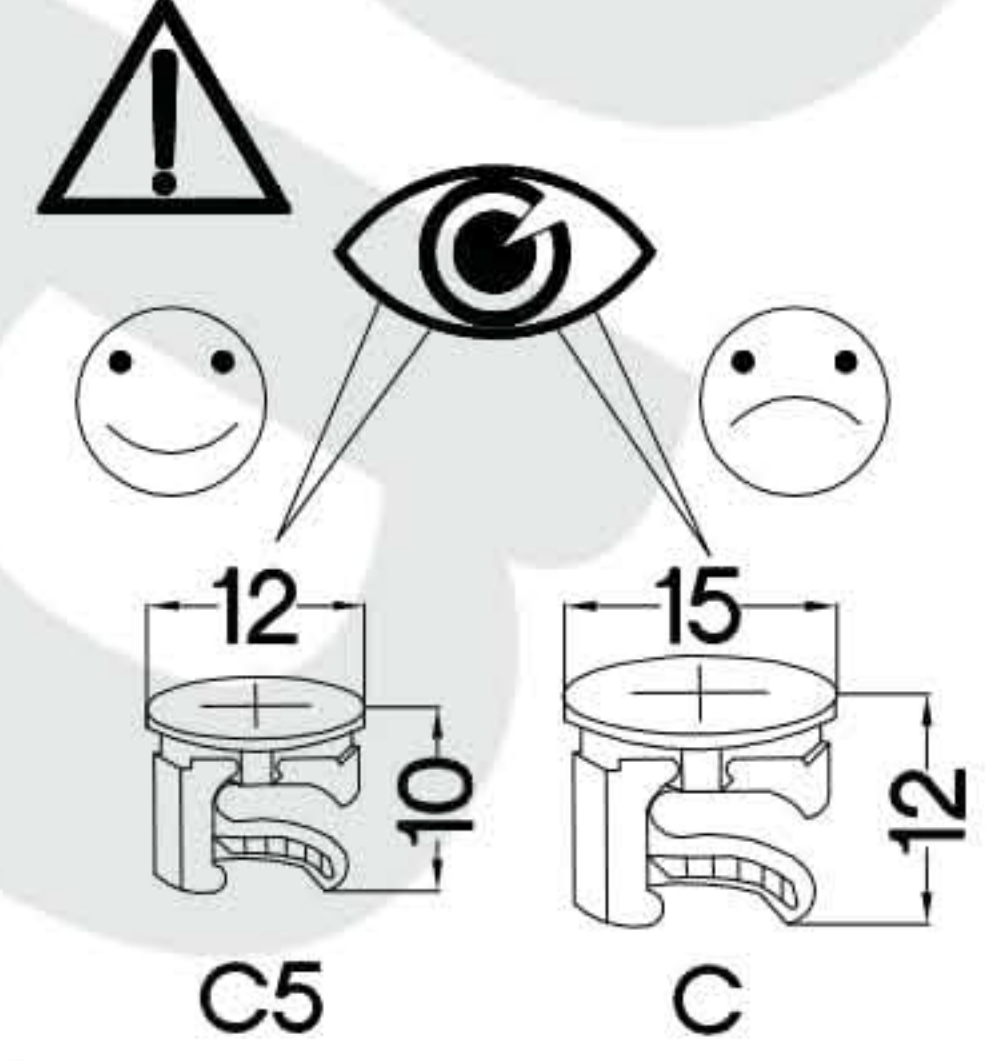
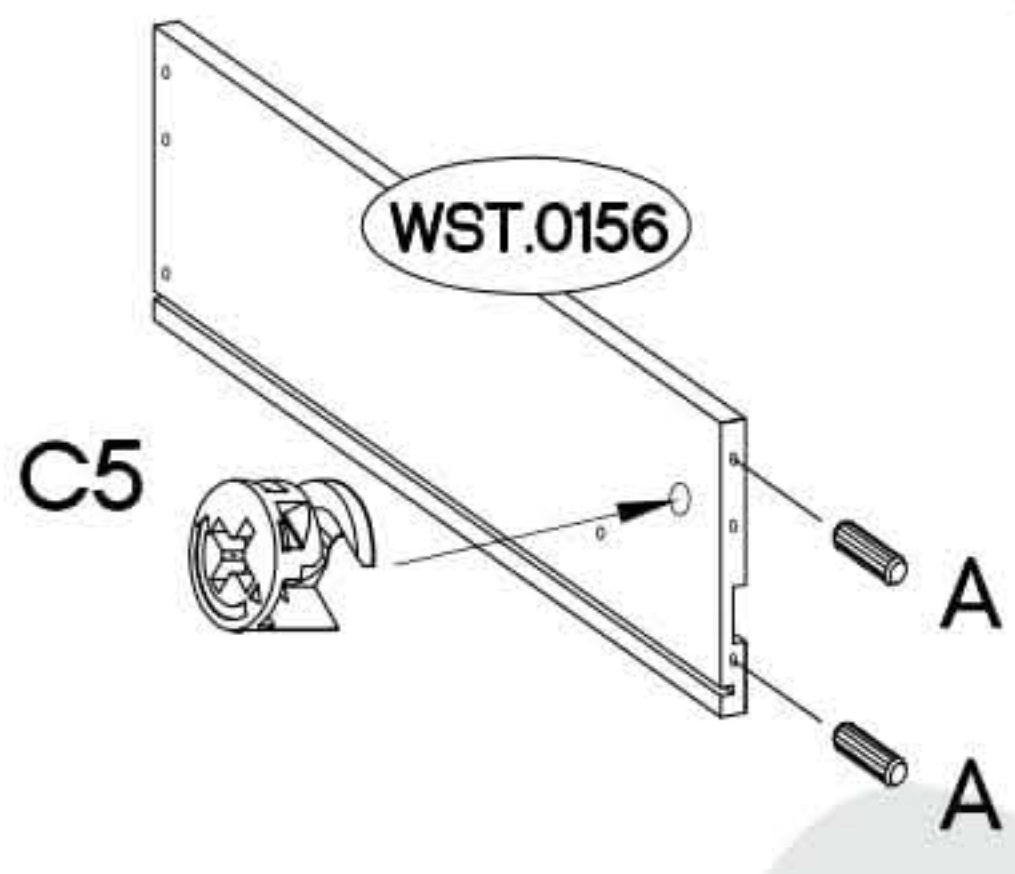
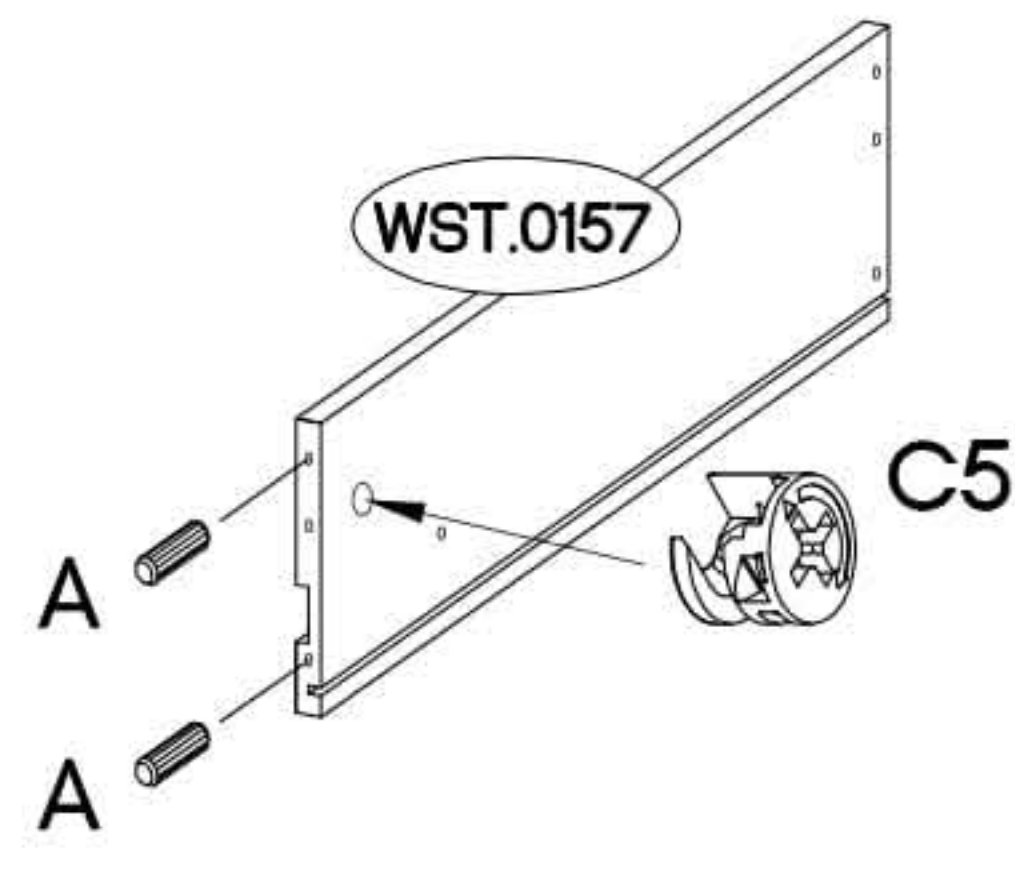


6

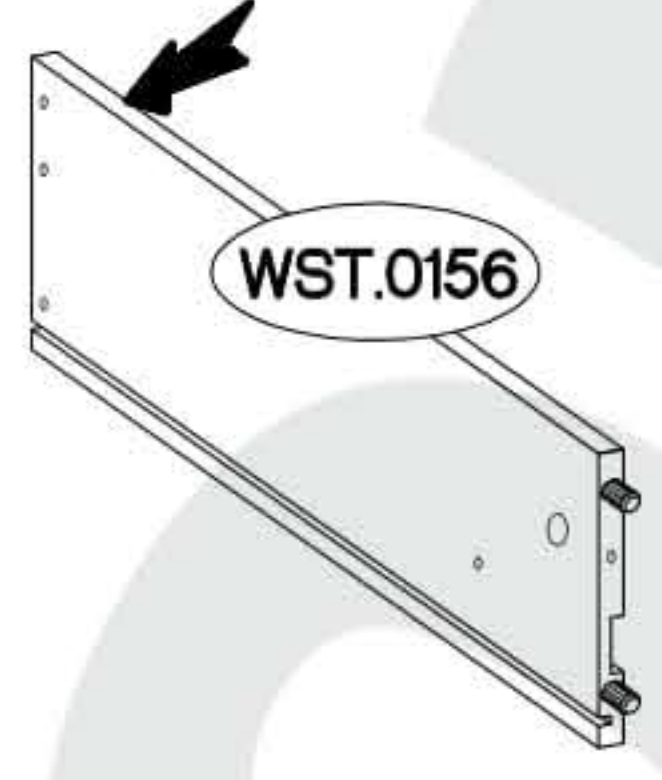
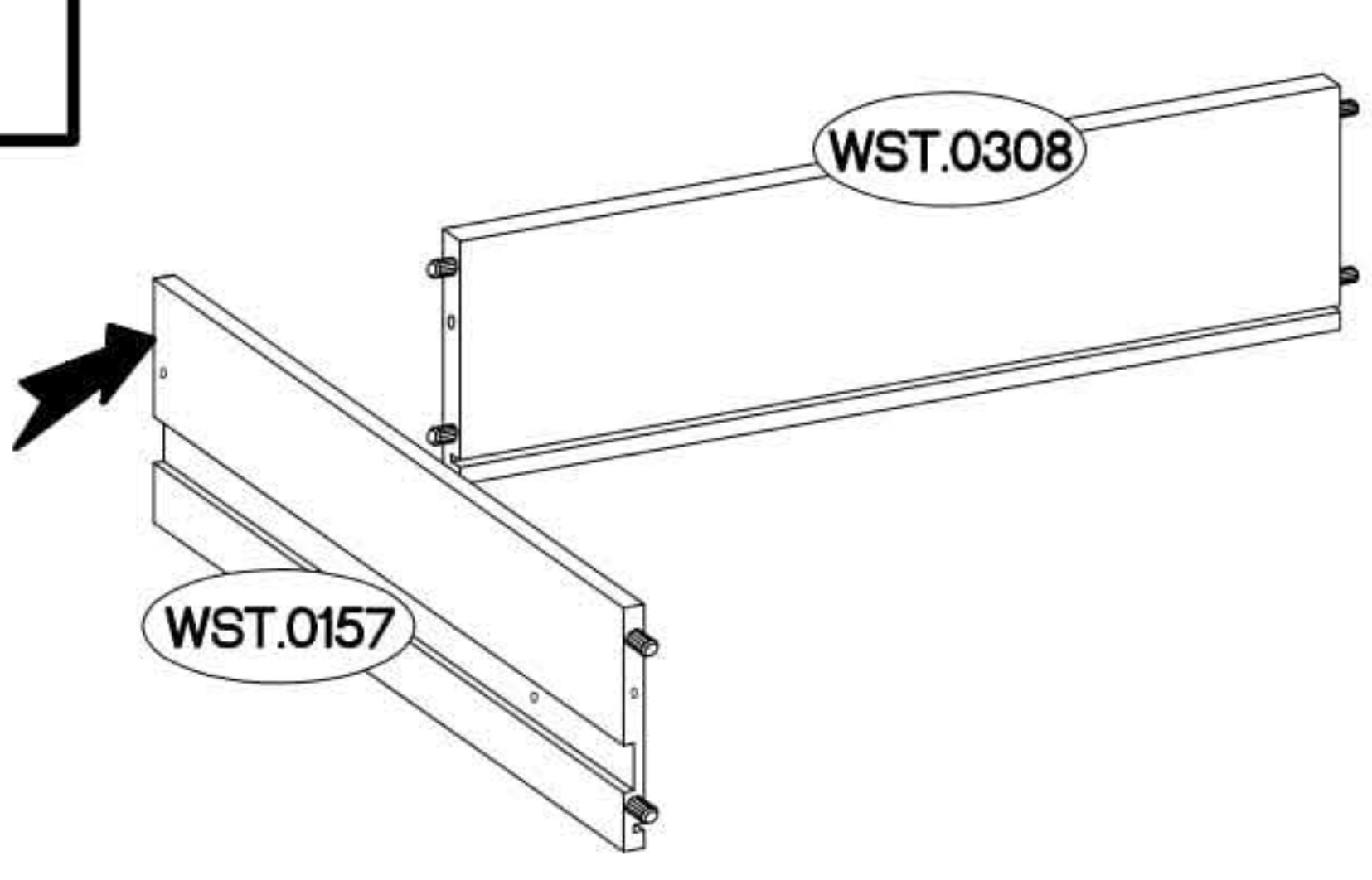
±12/10mm  C5 6	±8x30mm  A 24
---	--




x3

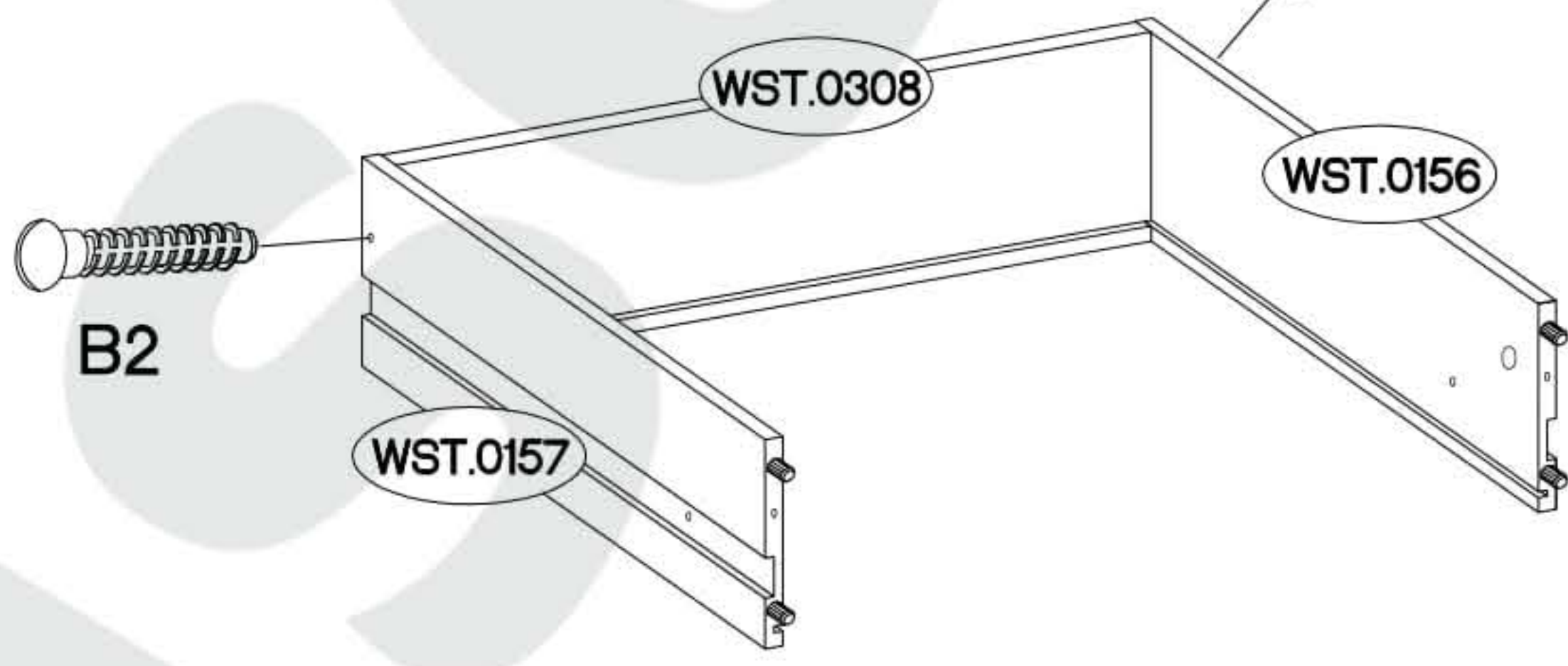
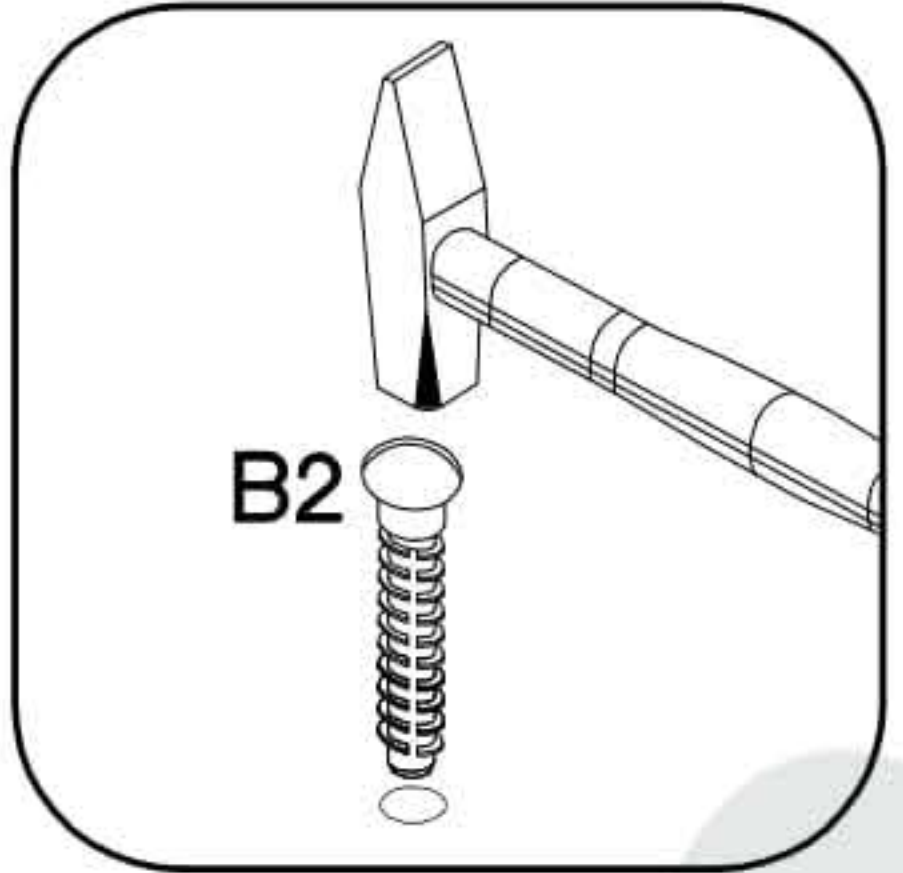


7





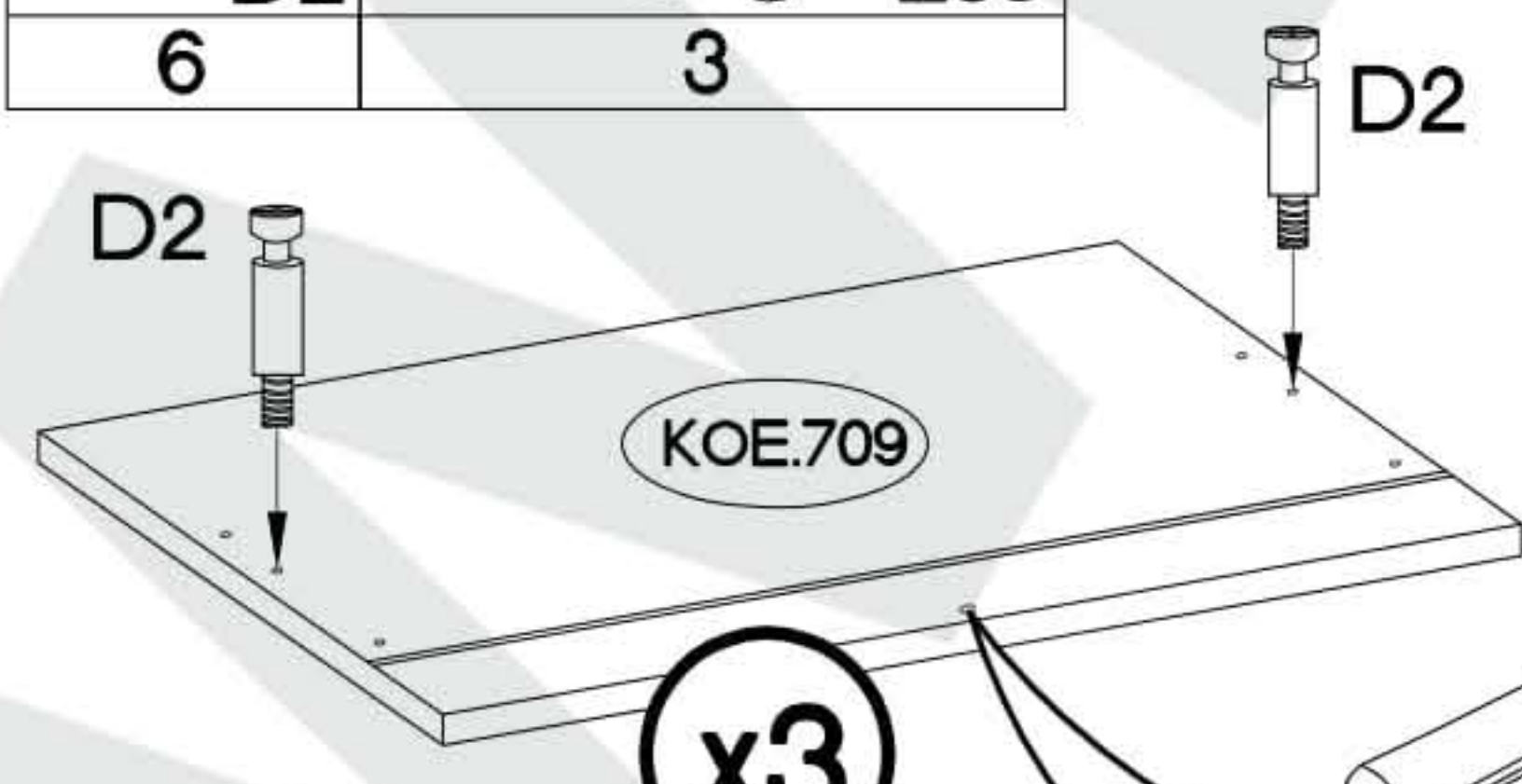
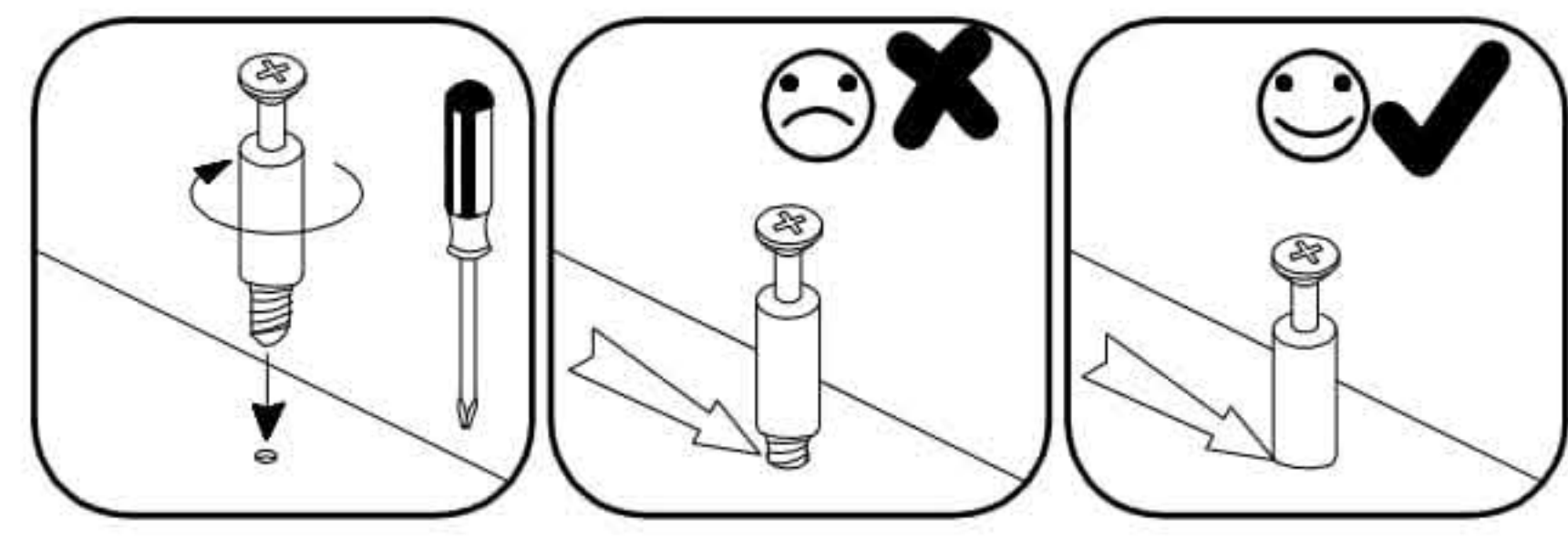
±6x42mm  B2 6

x3

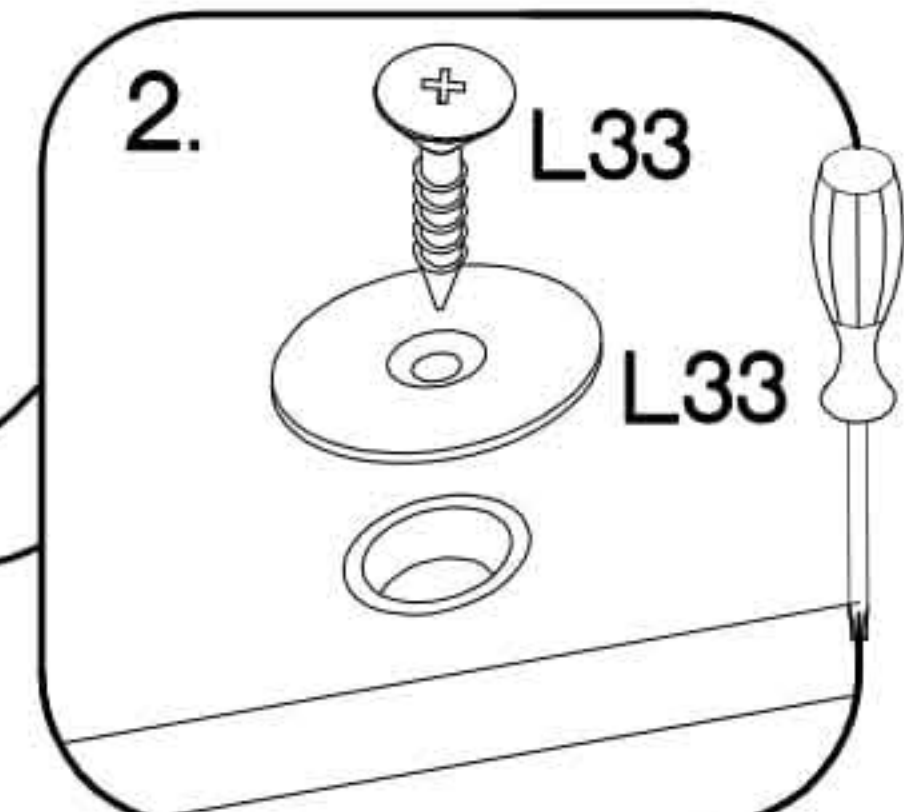
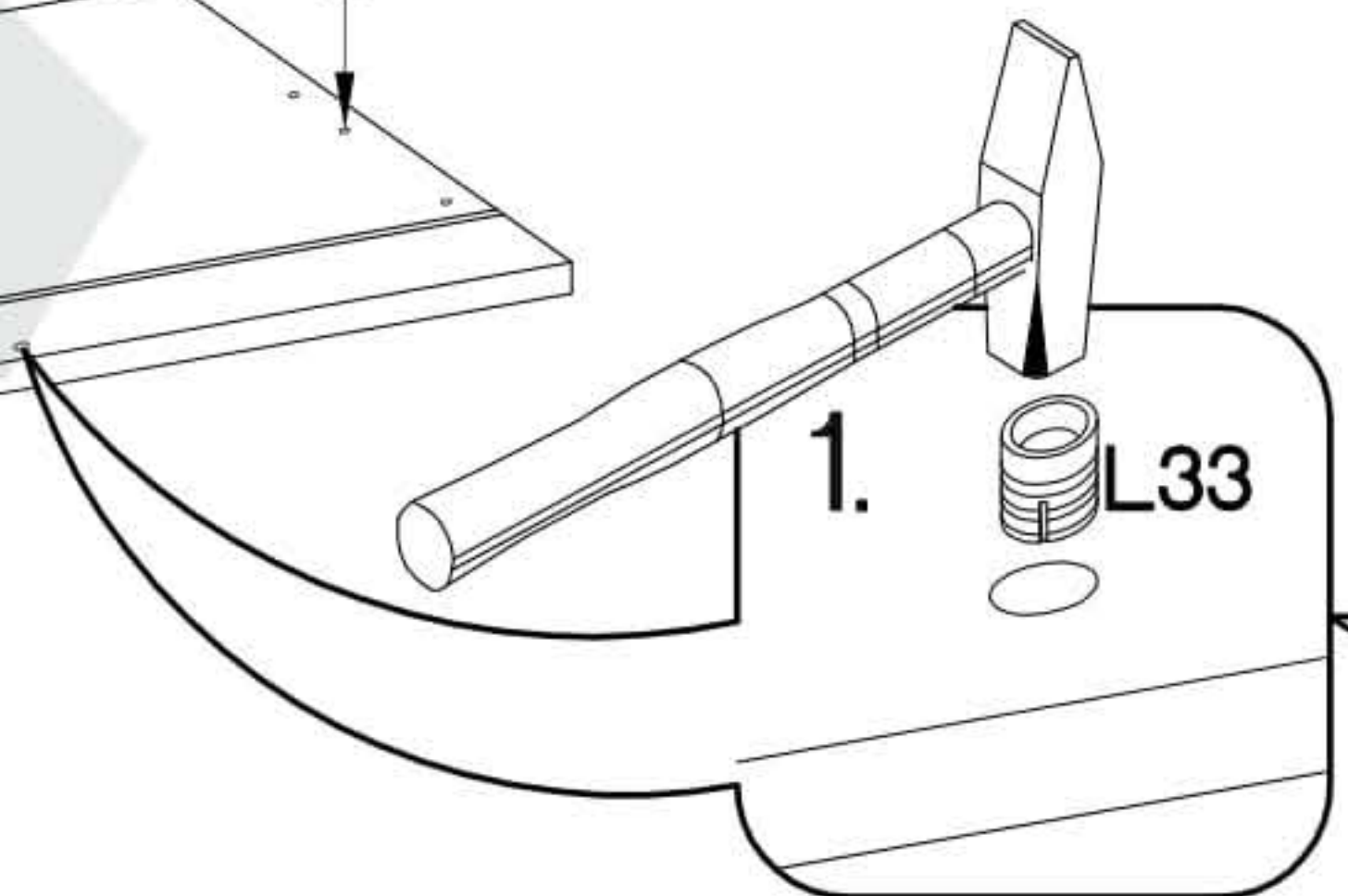


8

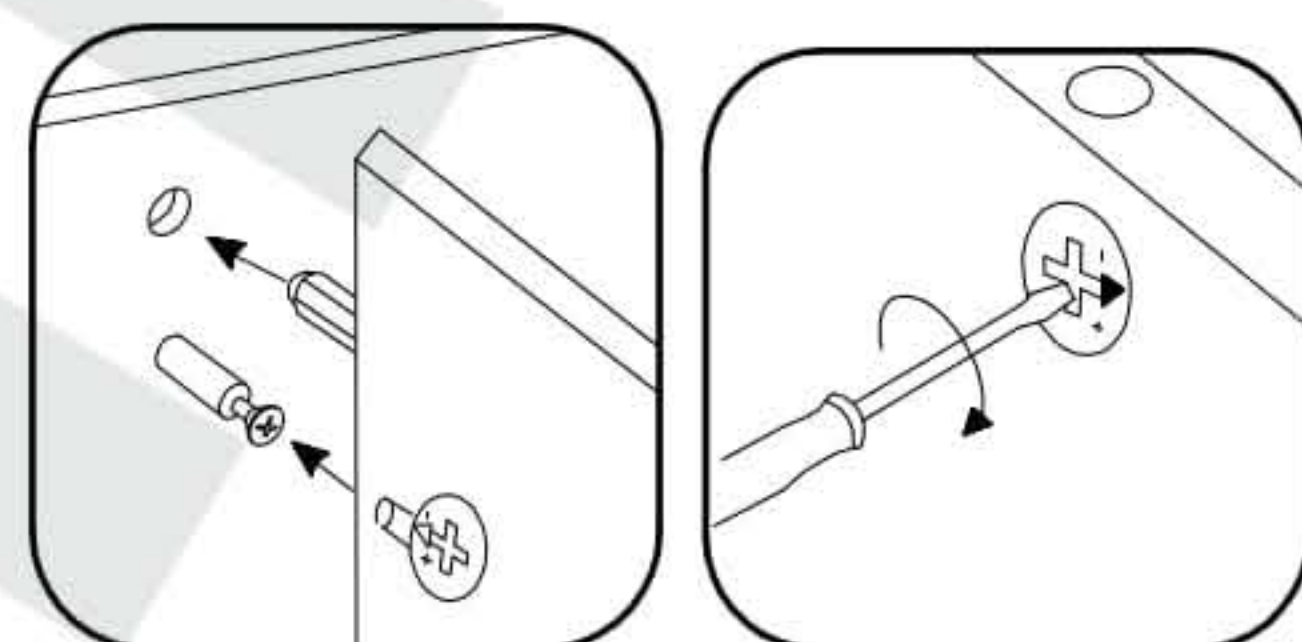
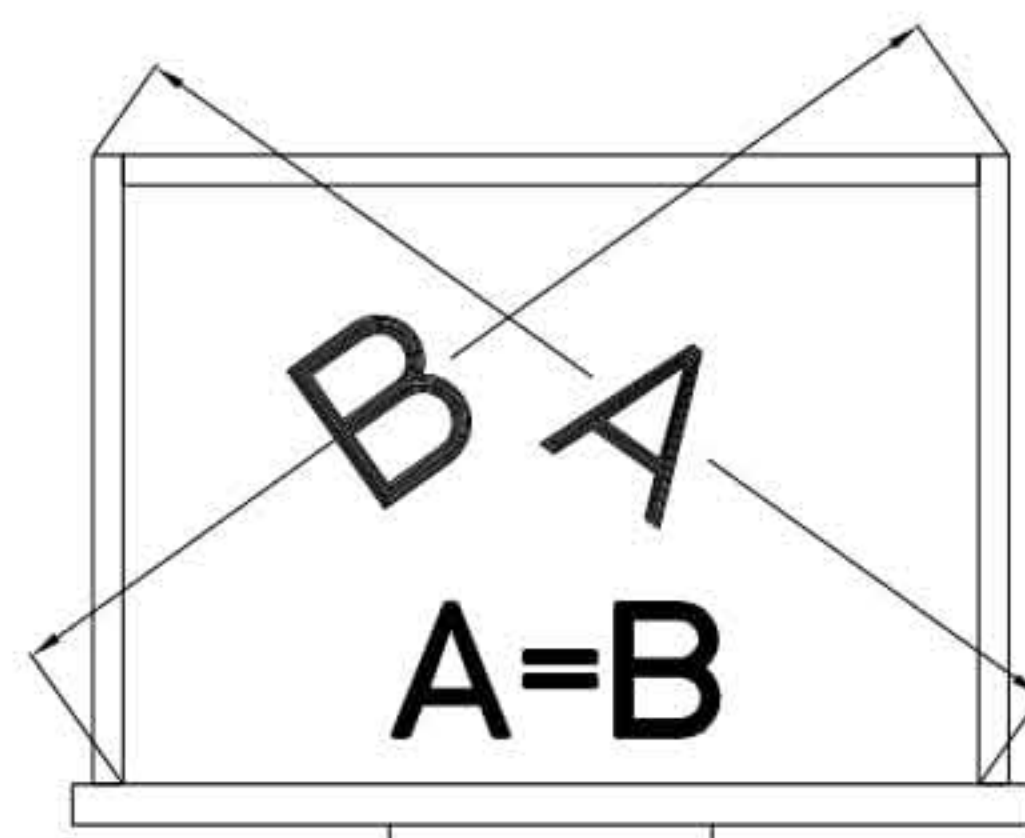
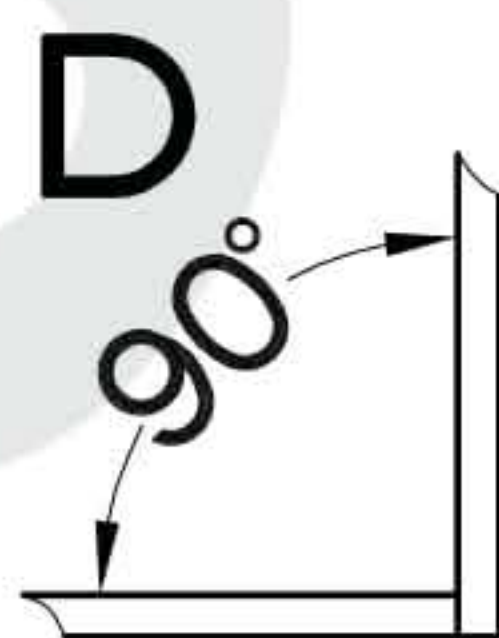
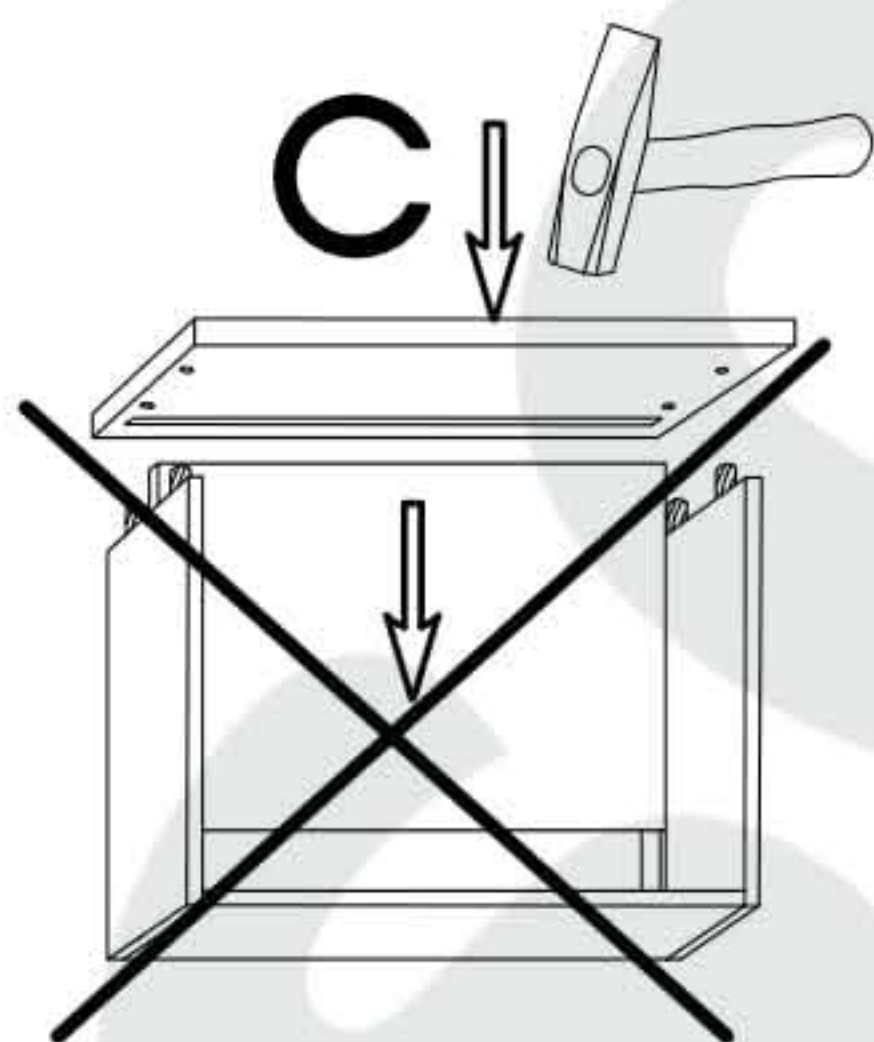
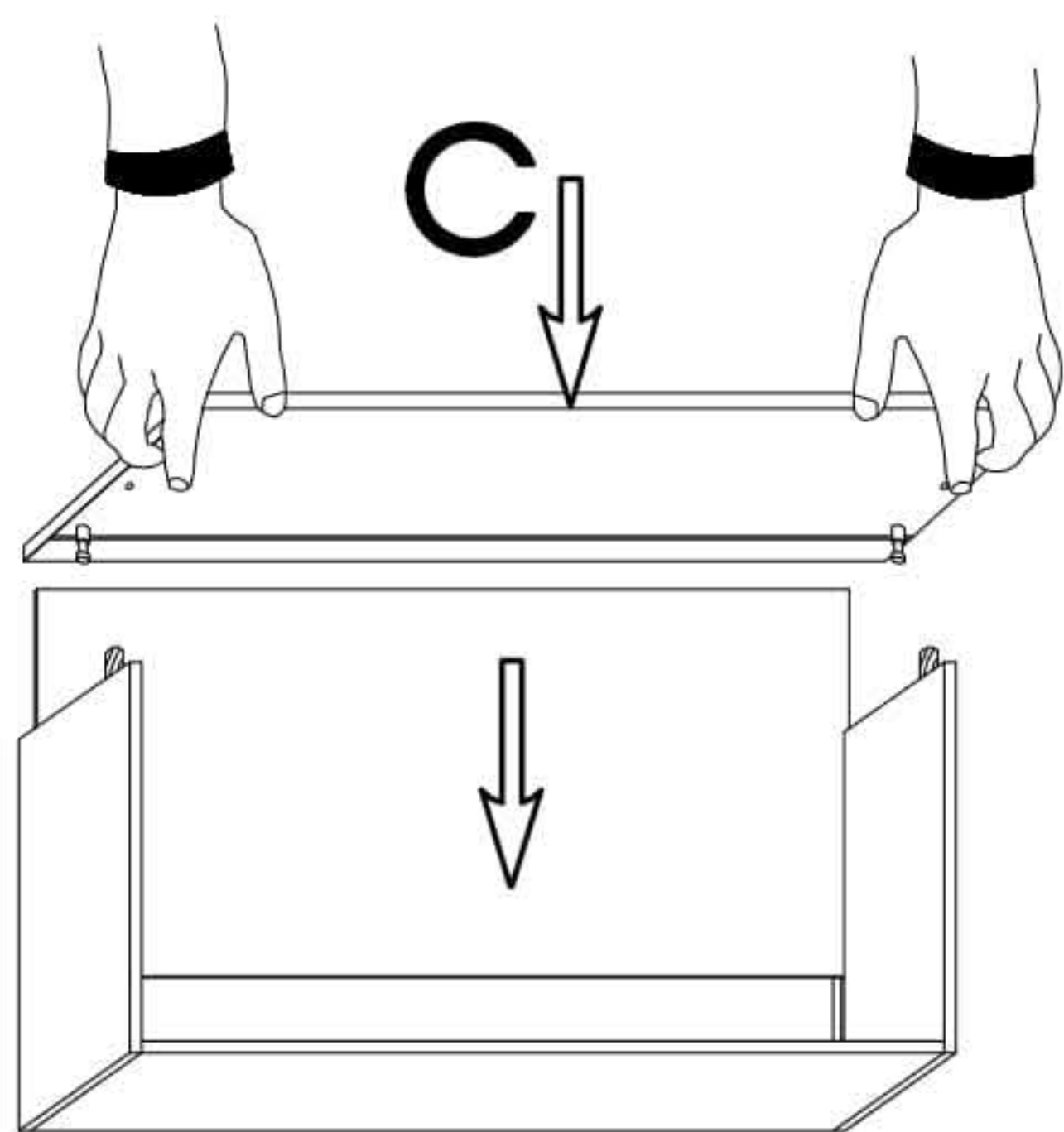
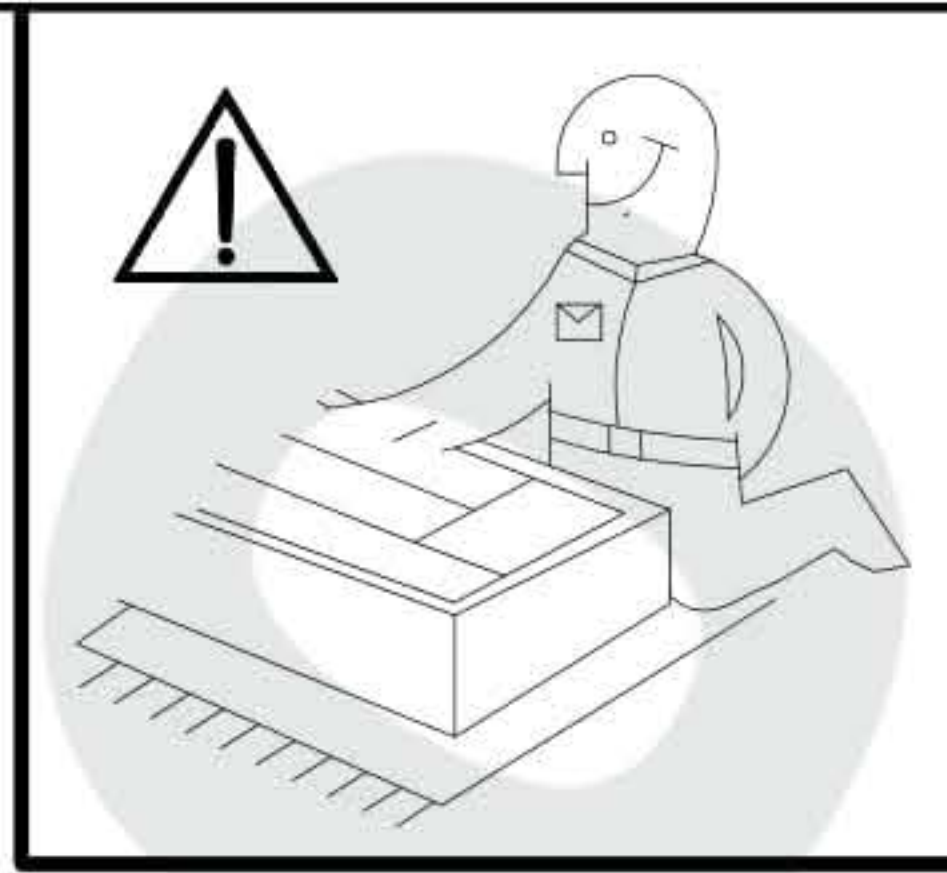
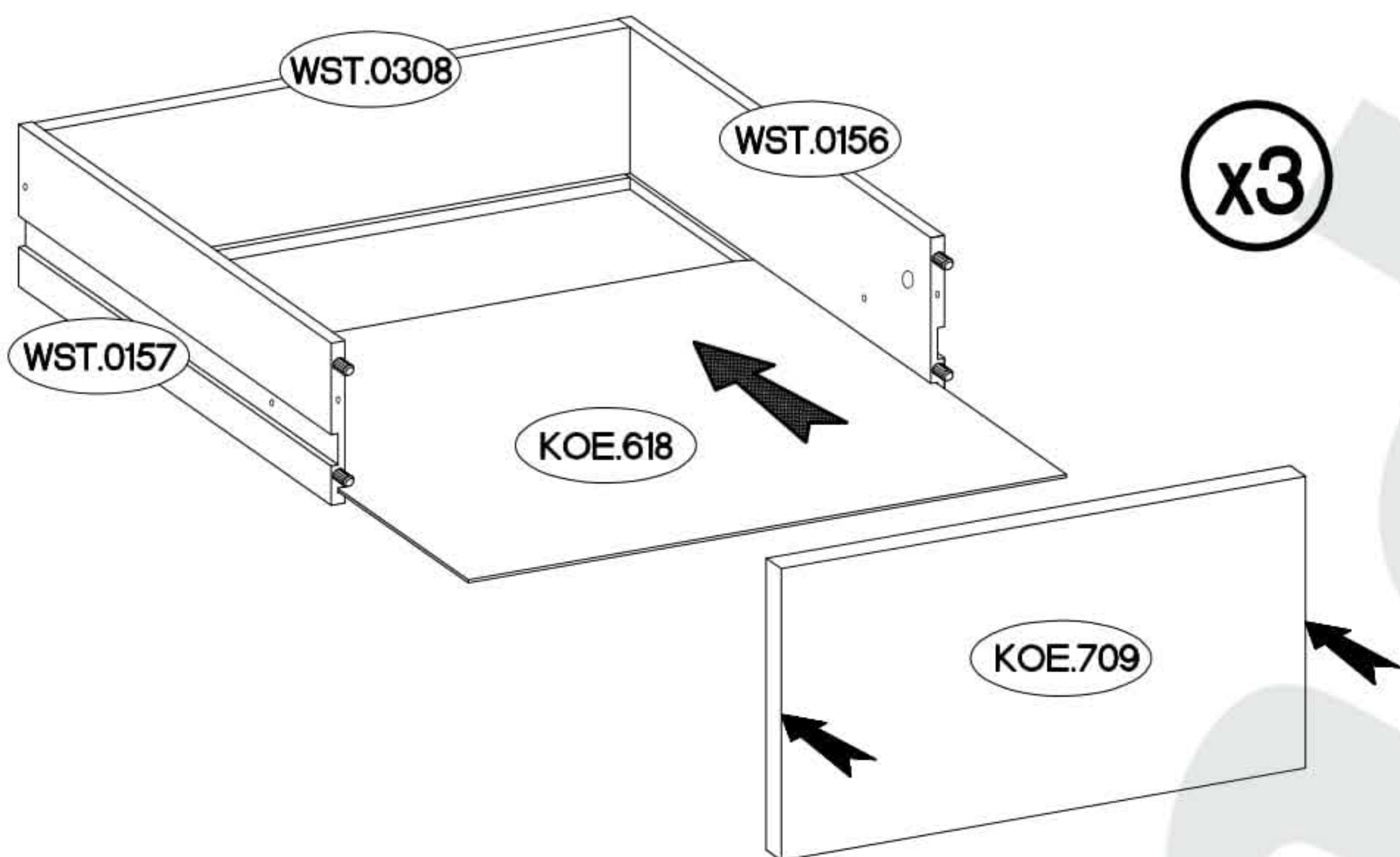
L=20mm  D2 6	 L33 3
--	---



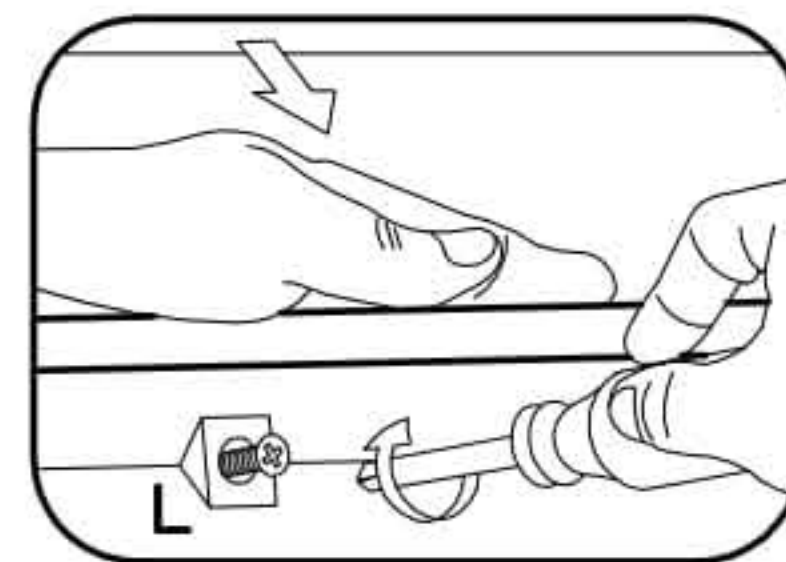
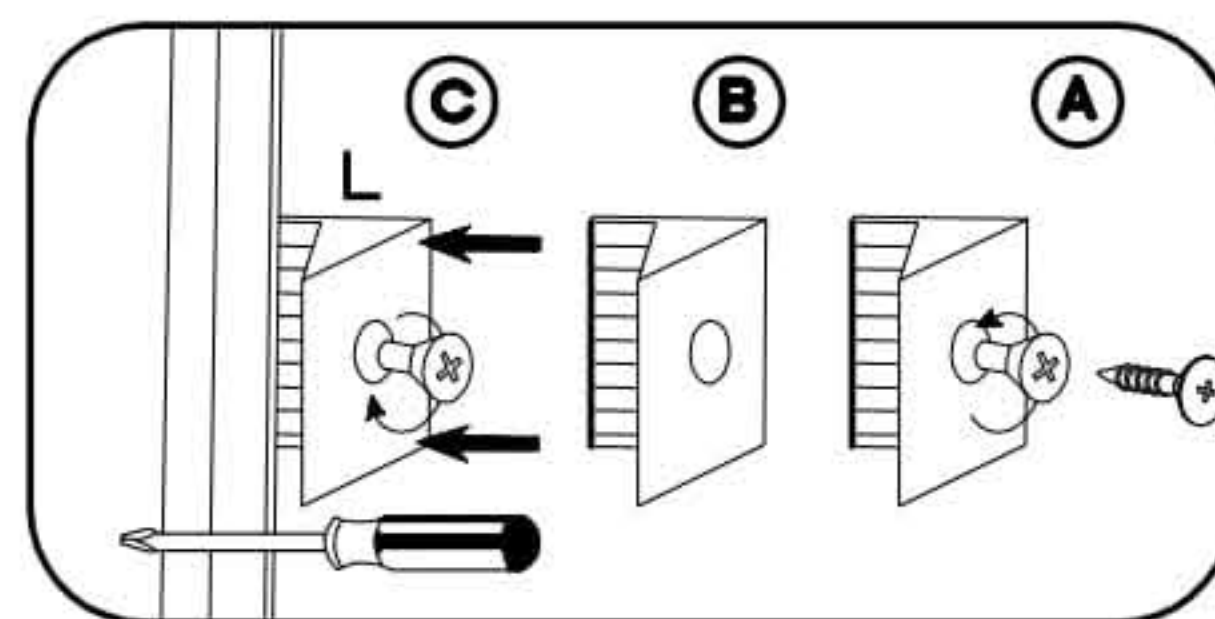
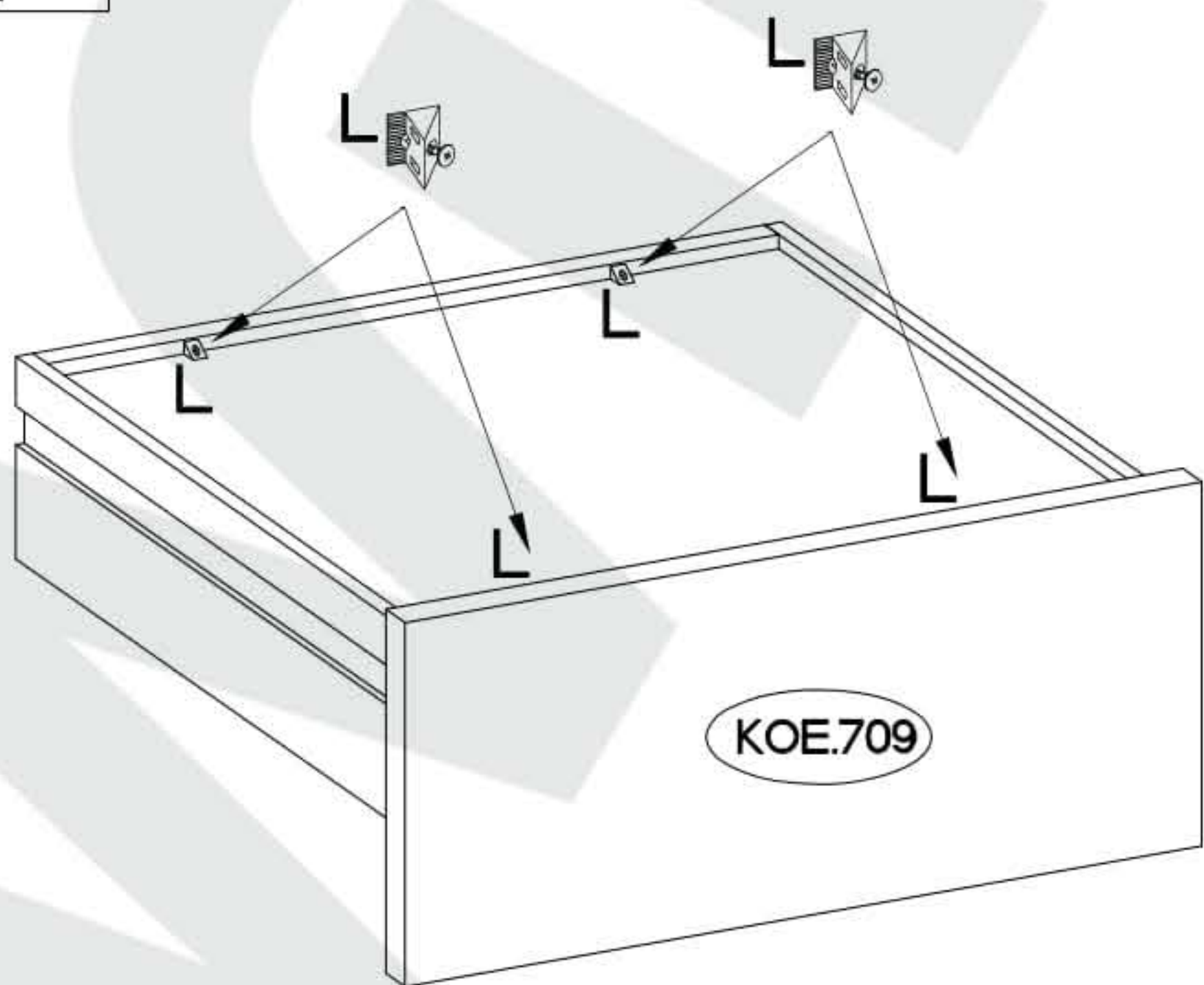
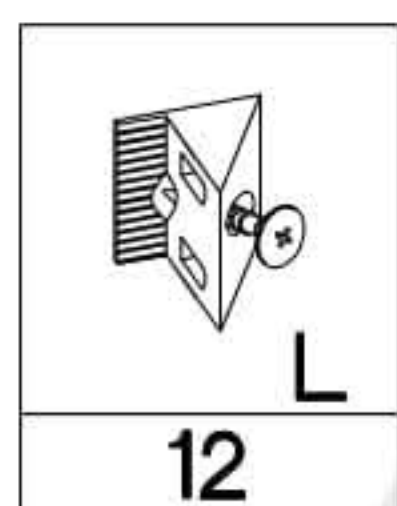
x3



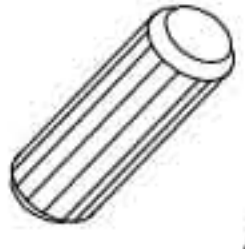
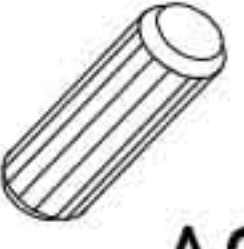


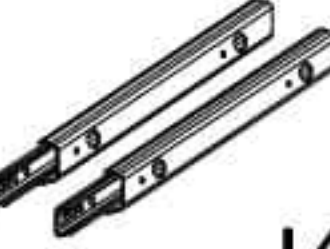

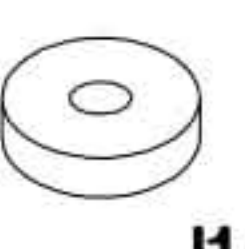
9

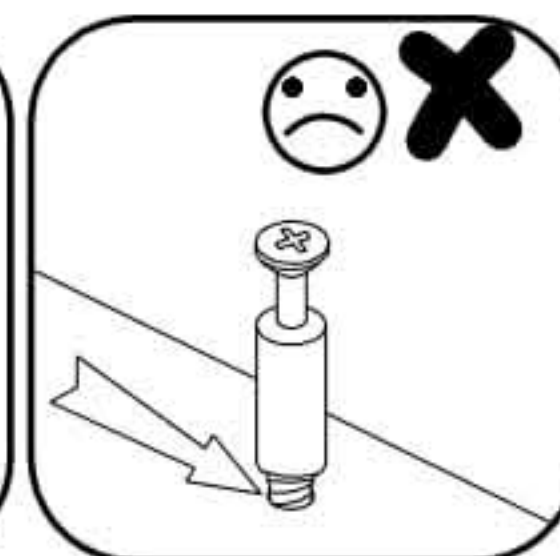
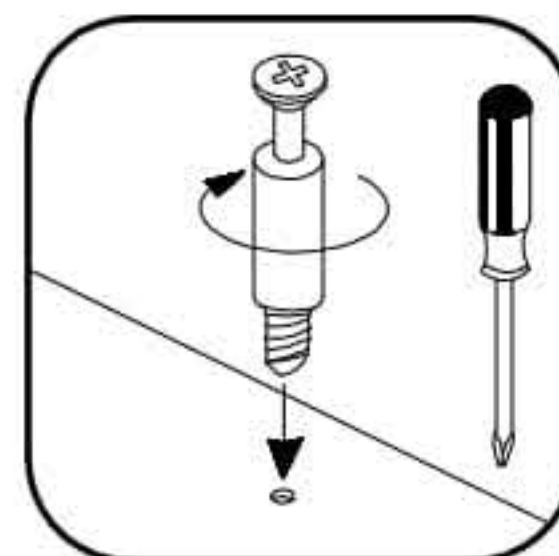
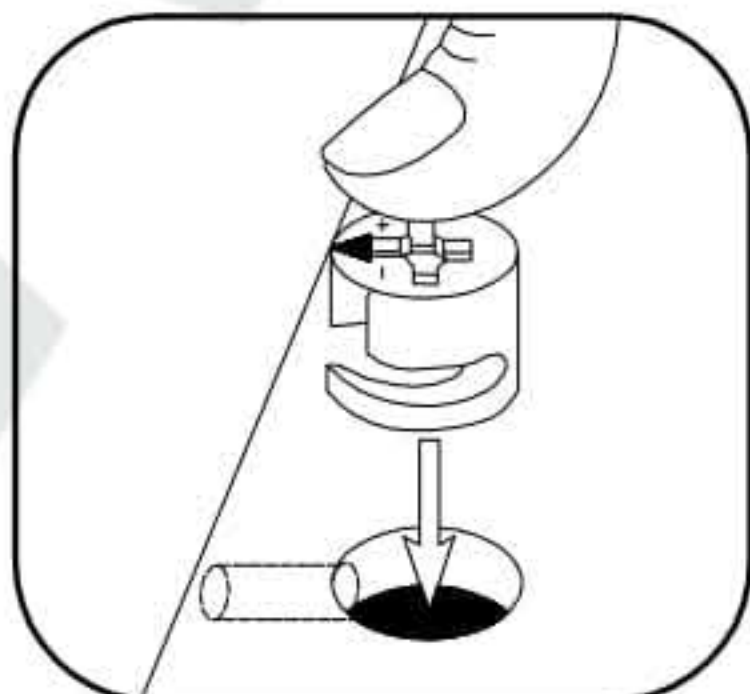
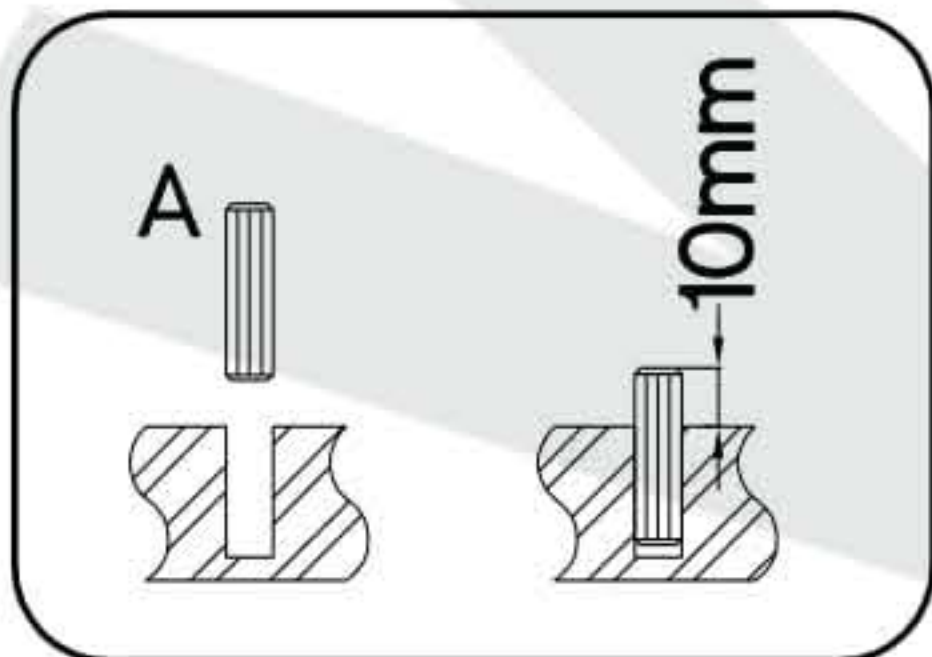
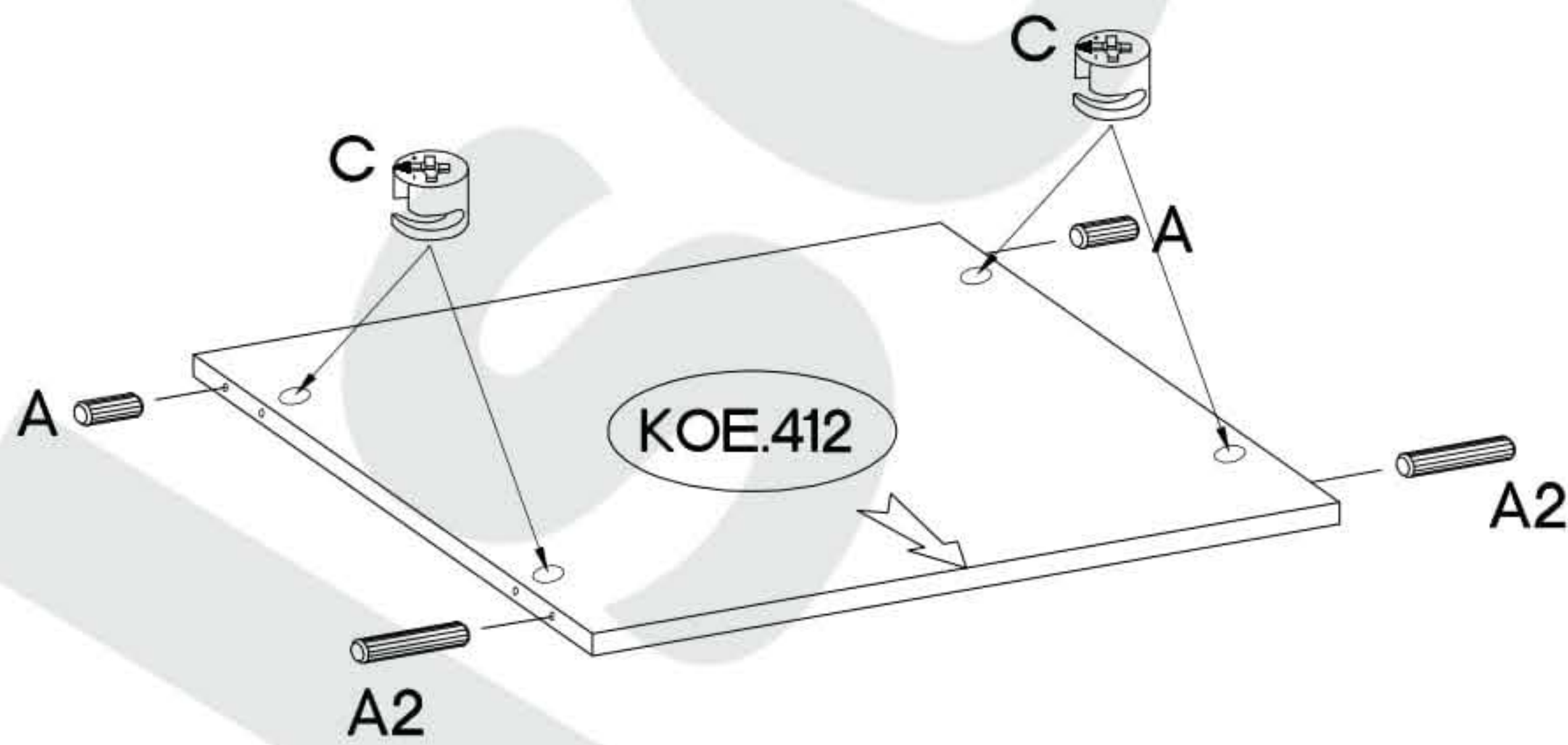
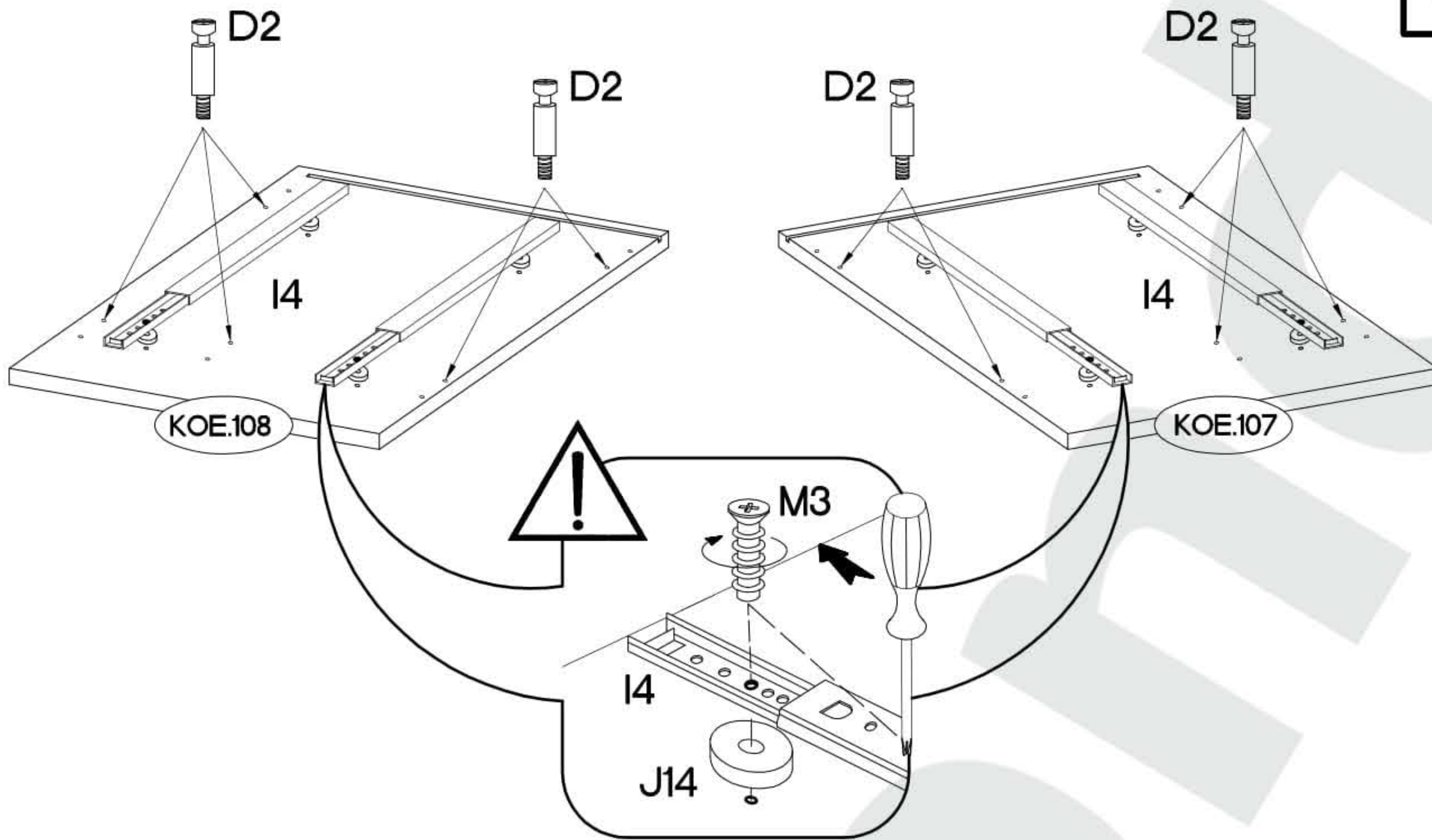
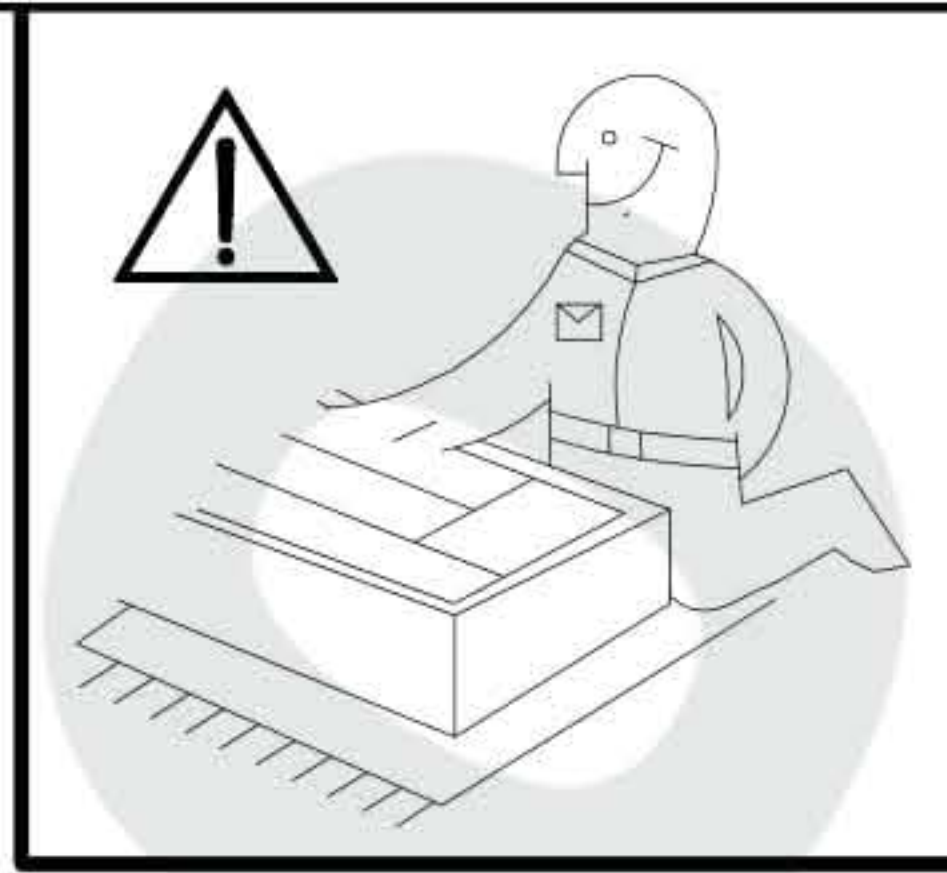


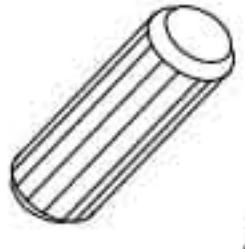

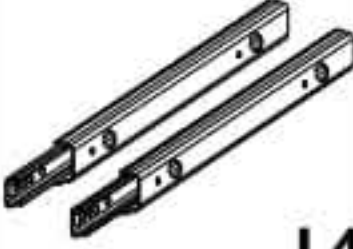


10

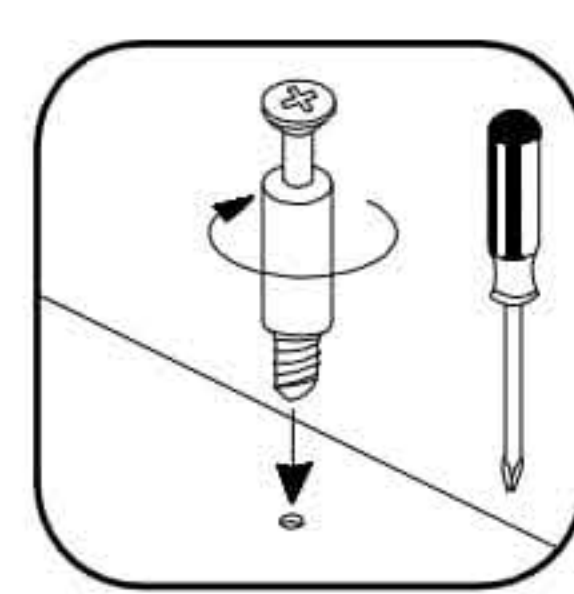
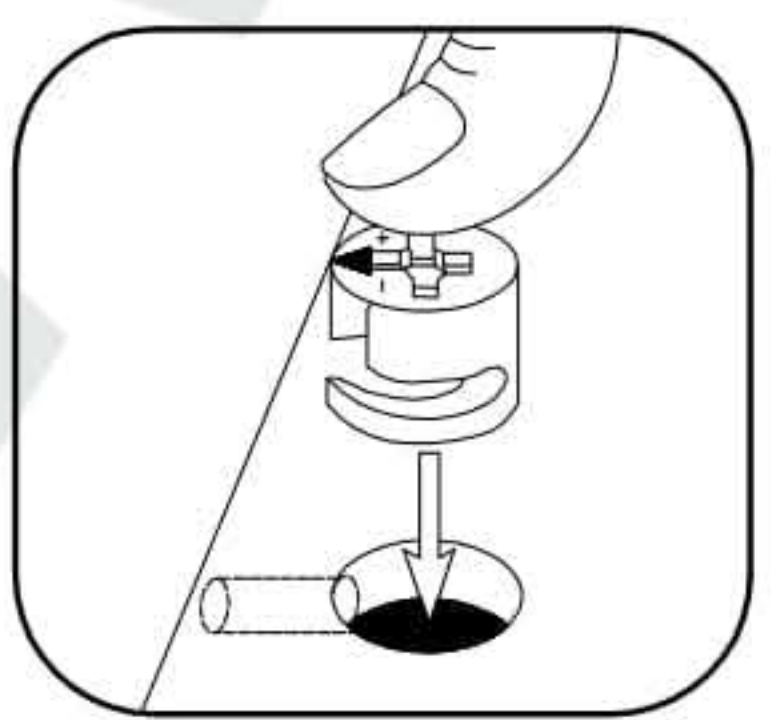
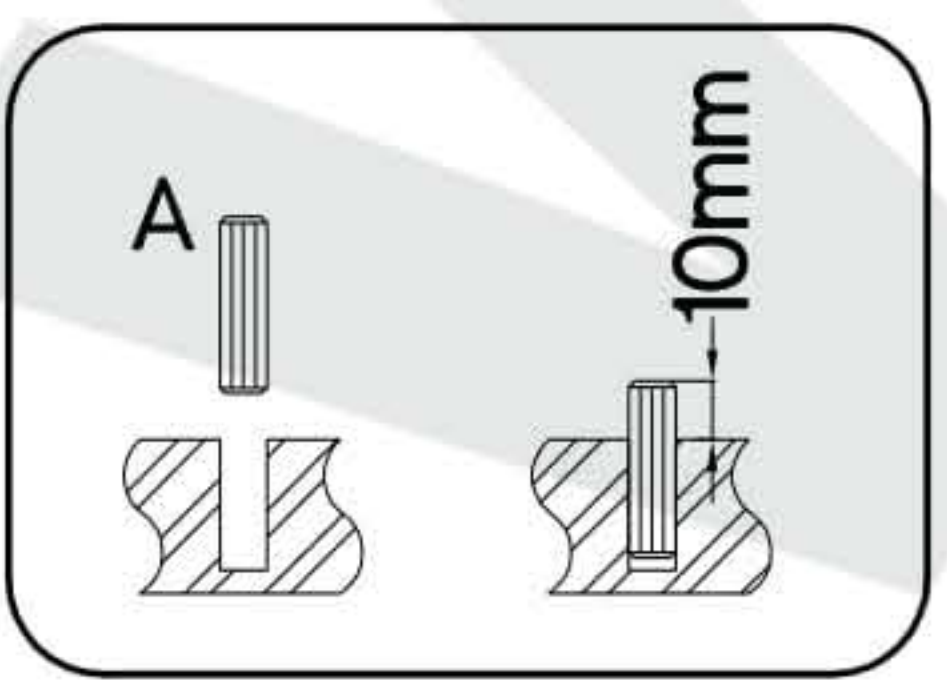
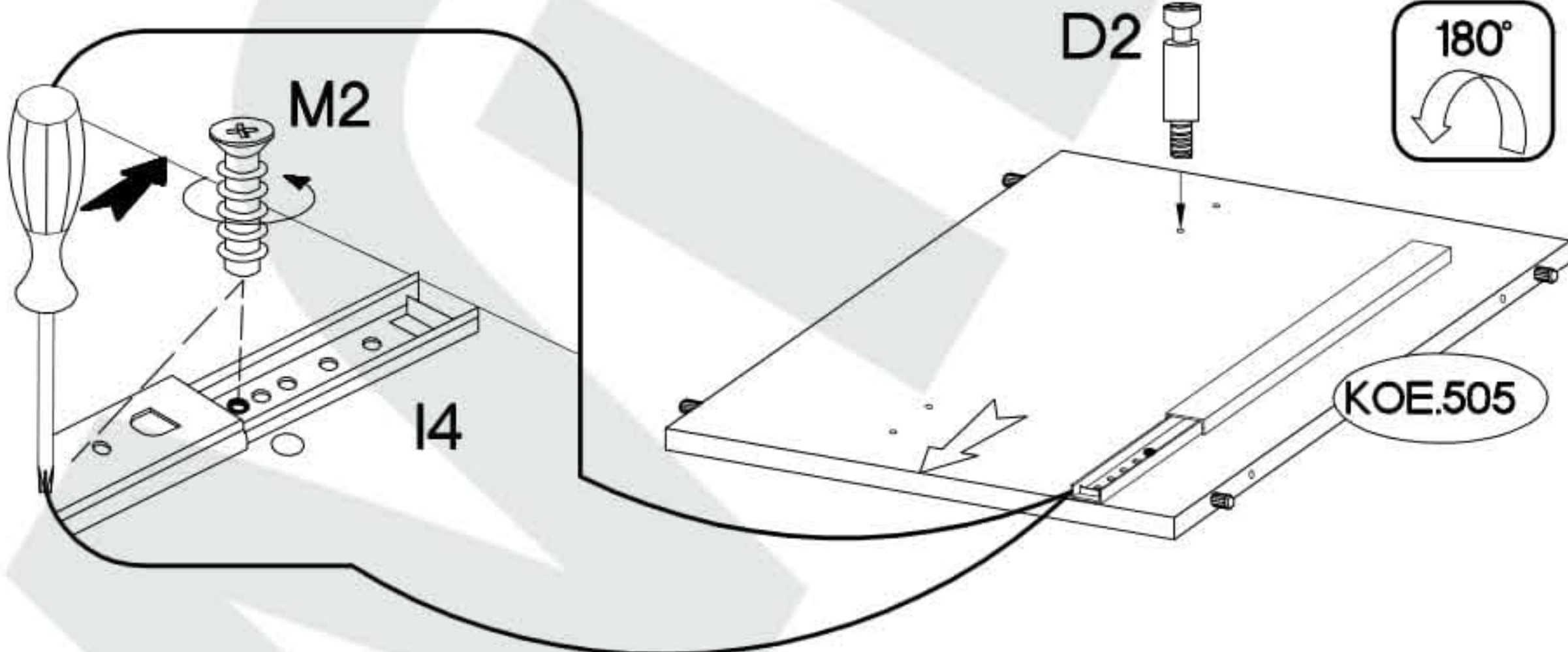
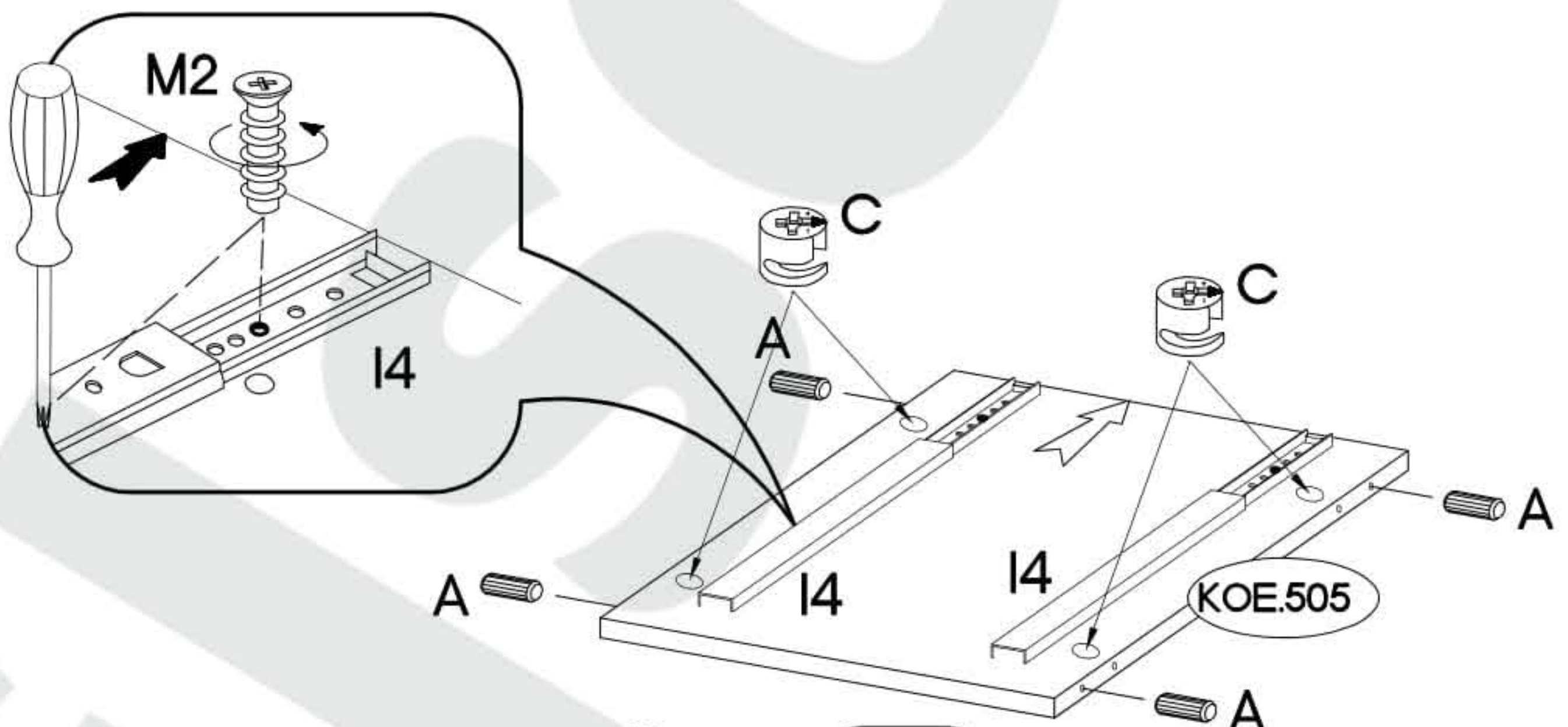
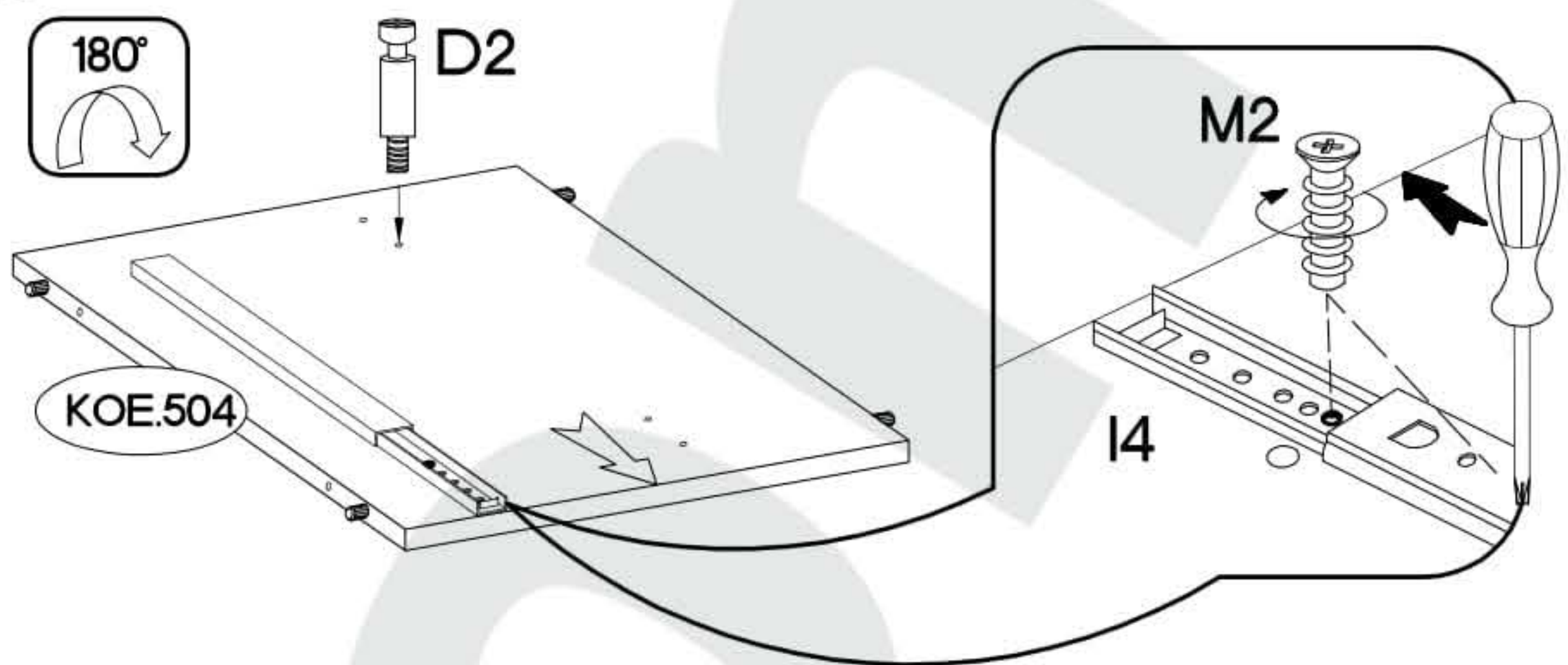
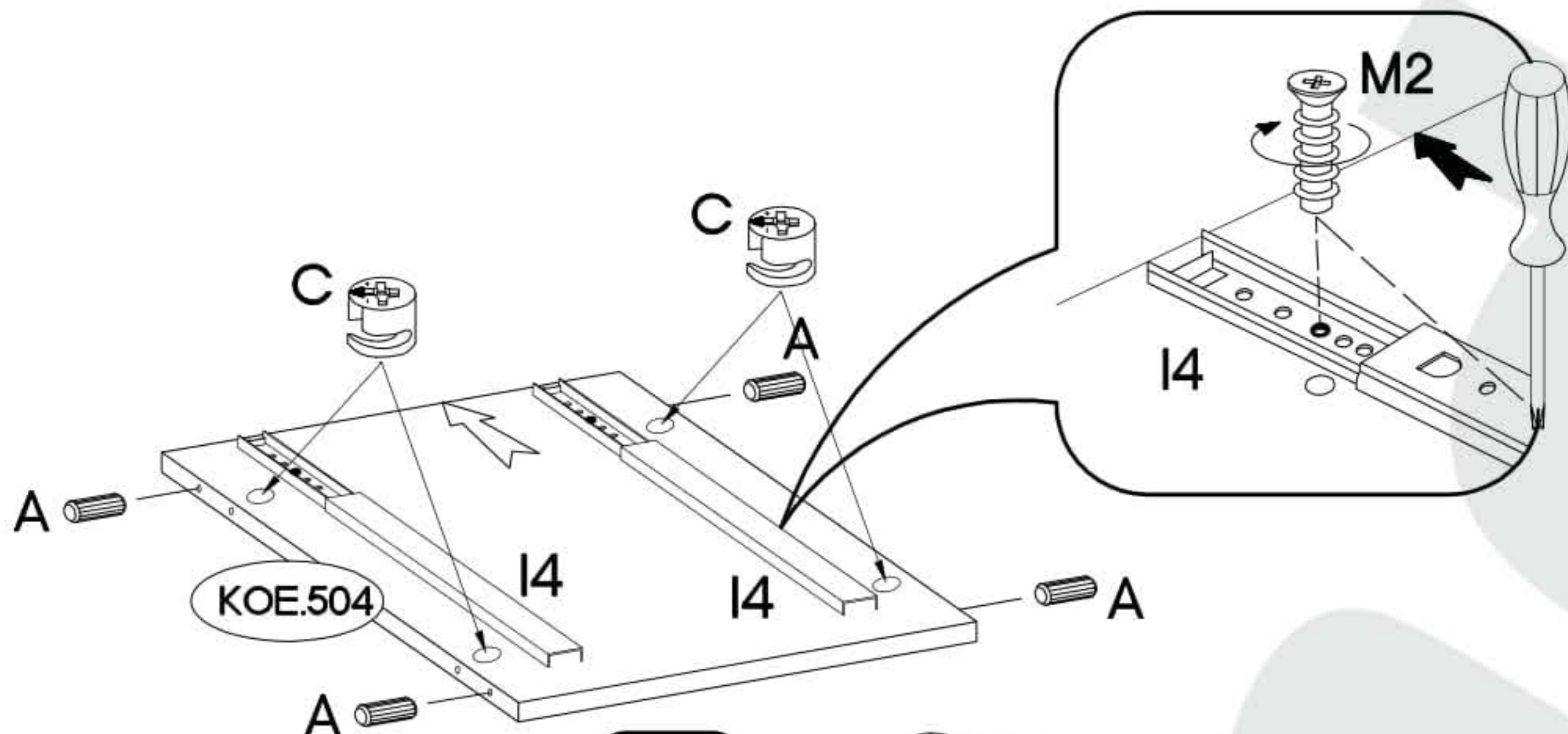
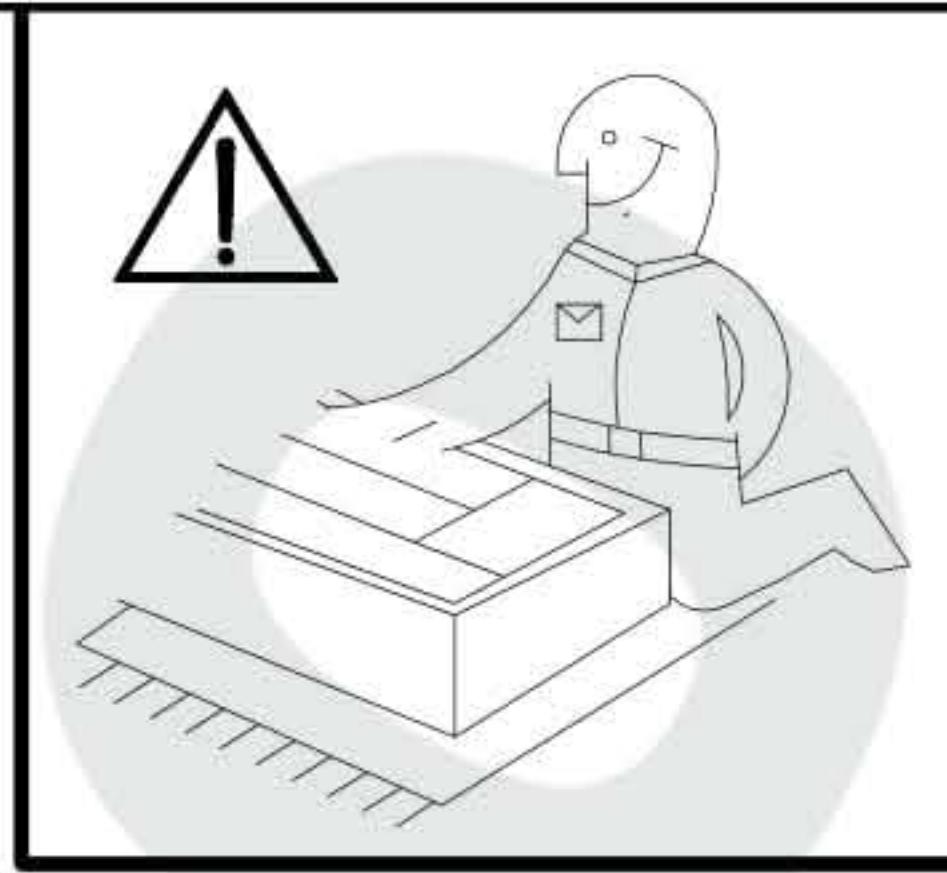


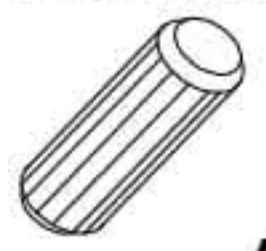


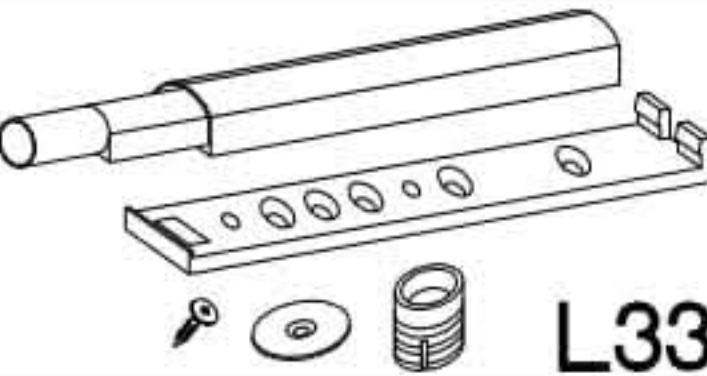

x3

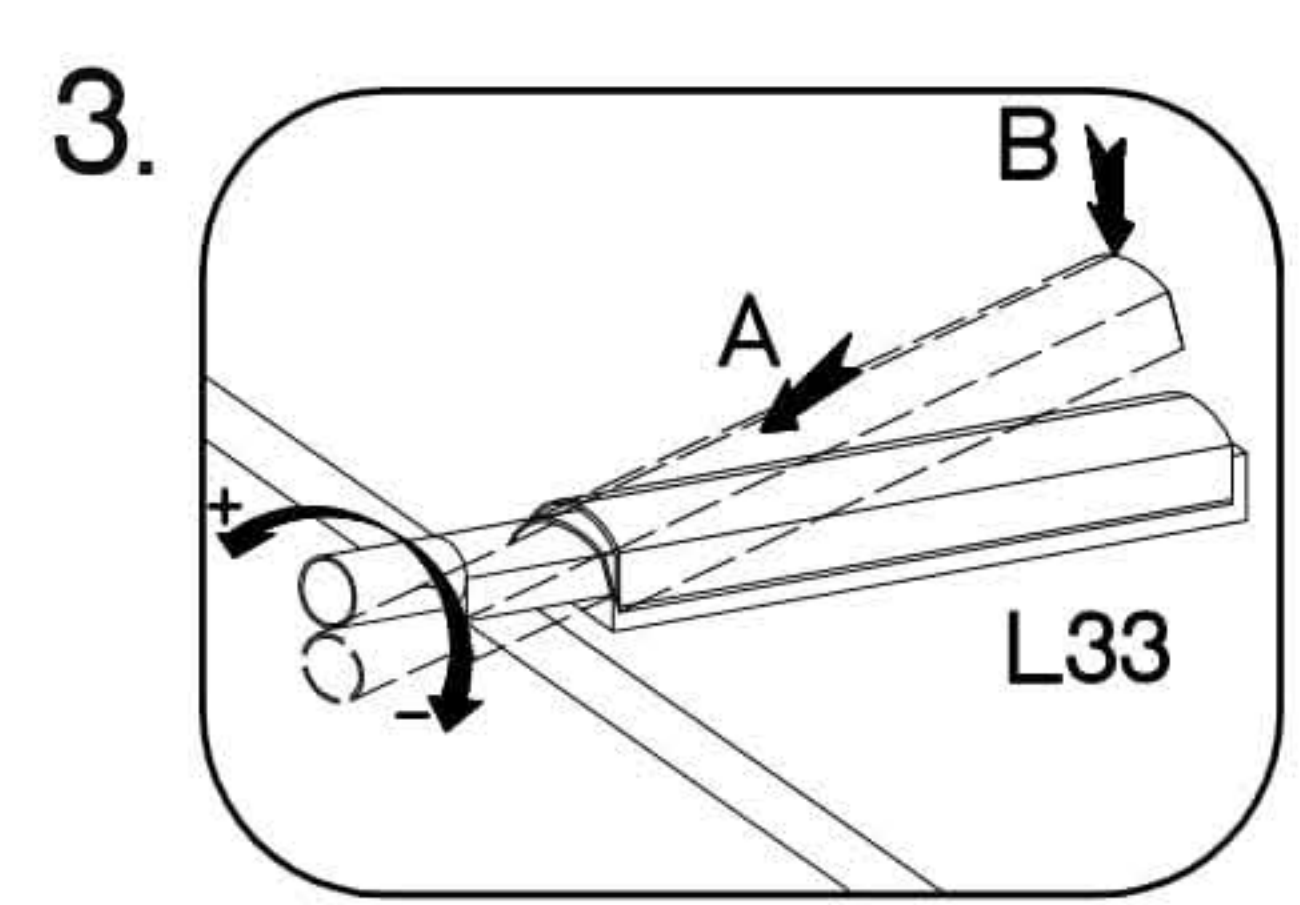
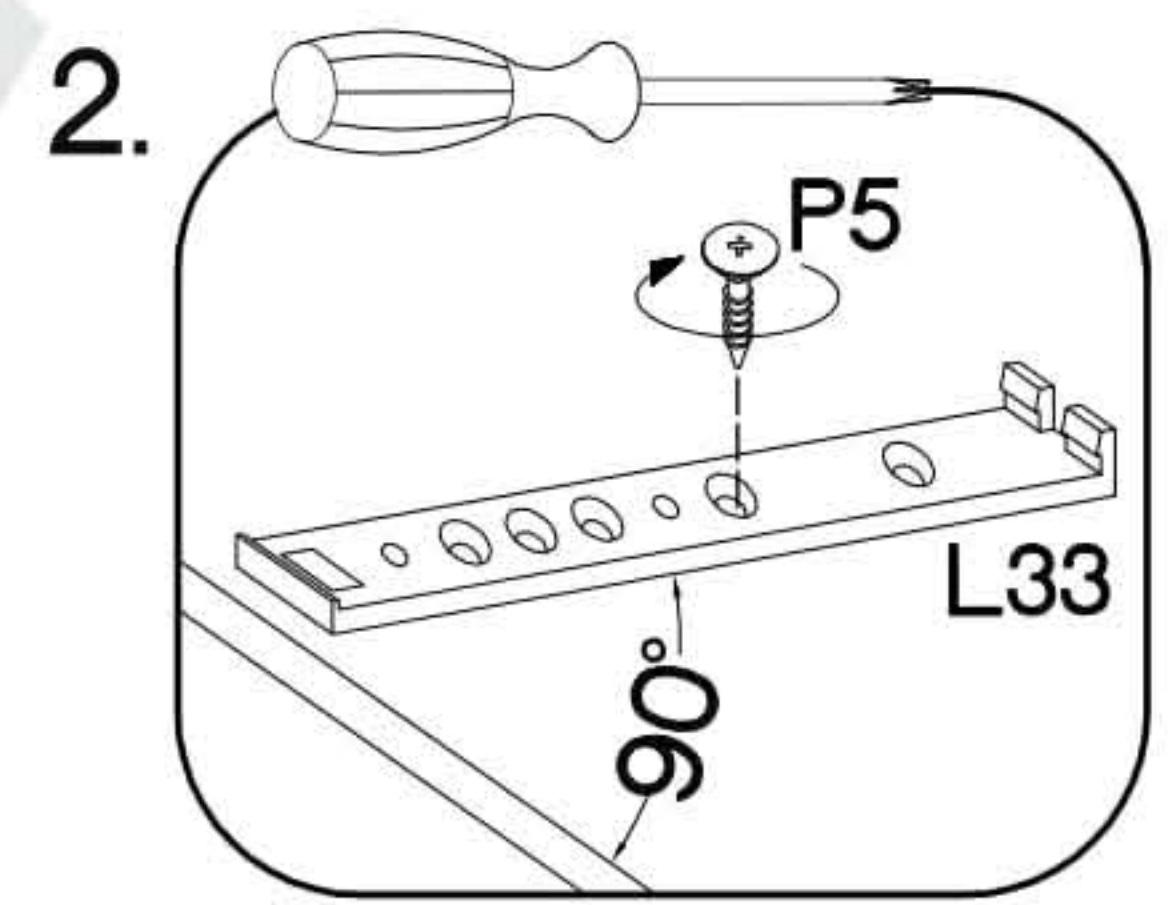
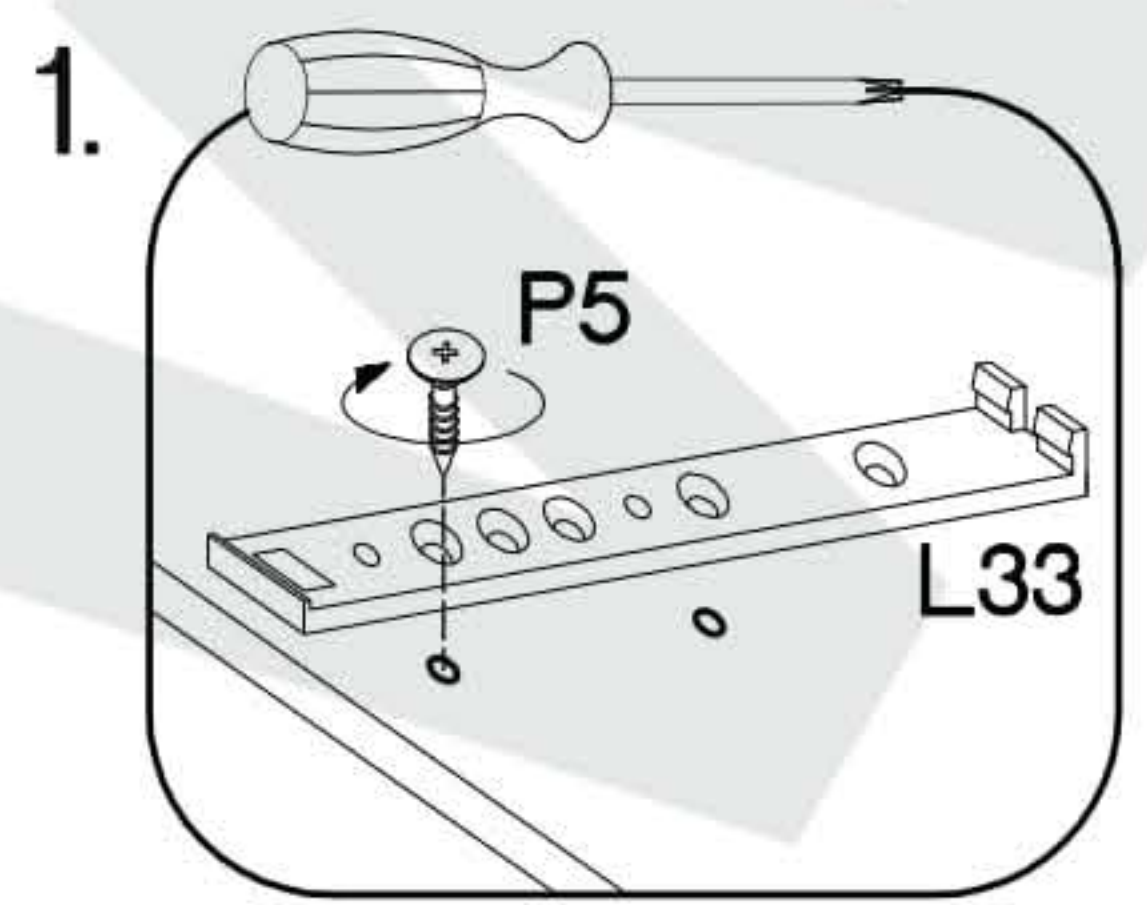
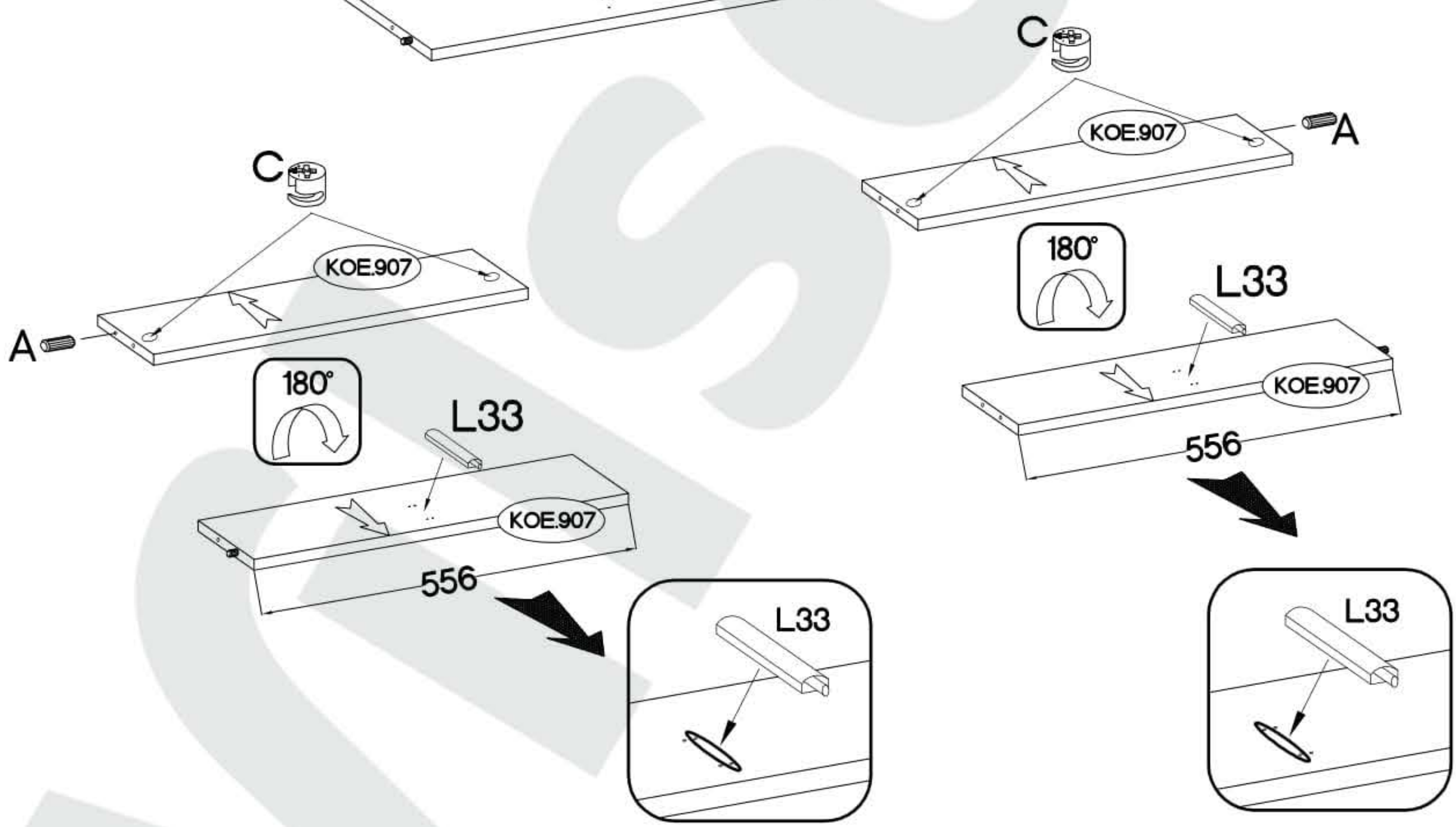
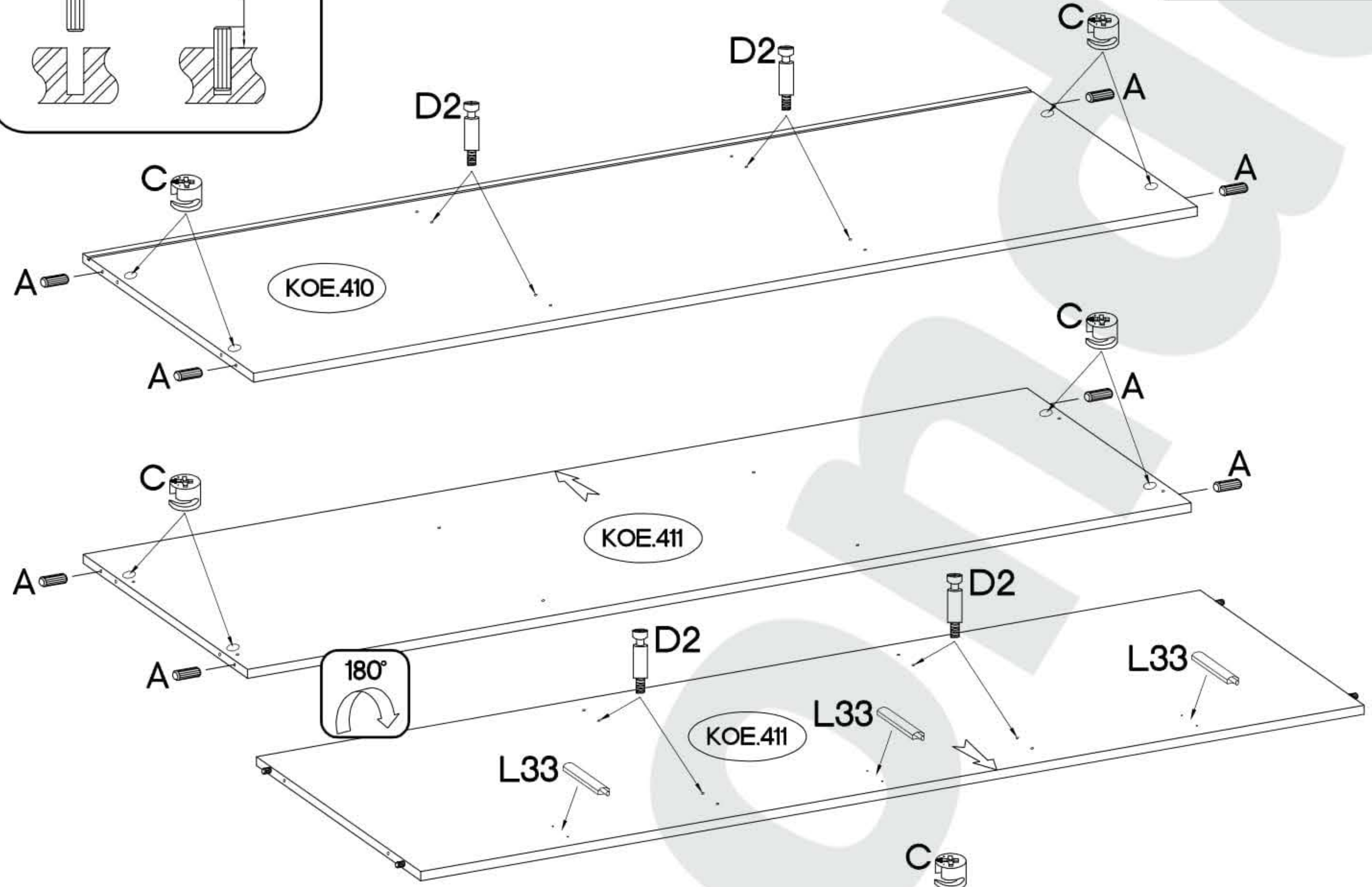
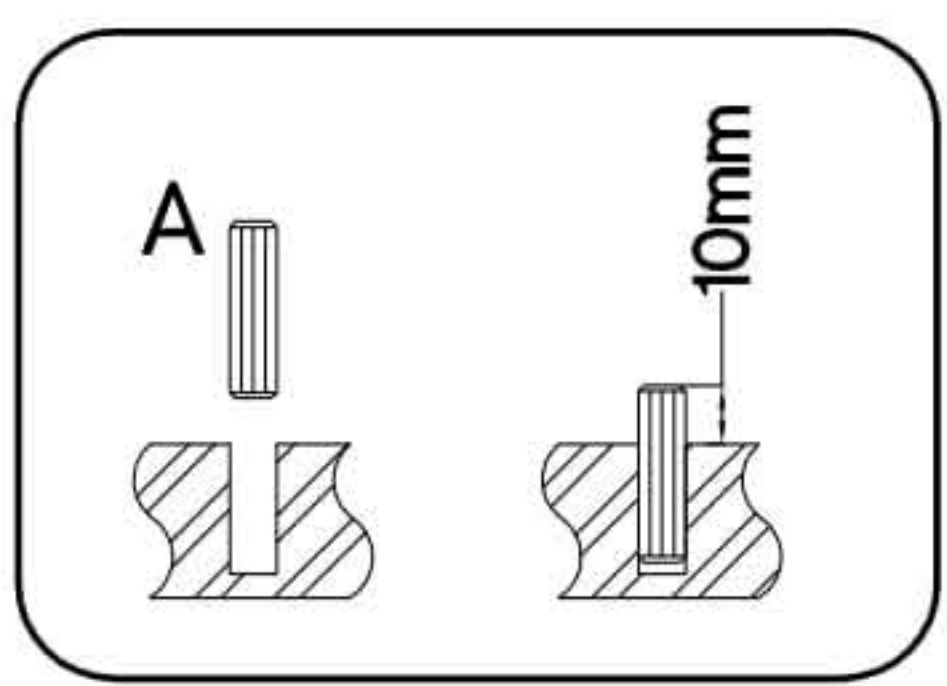
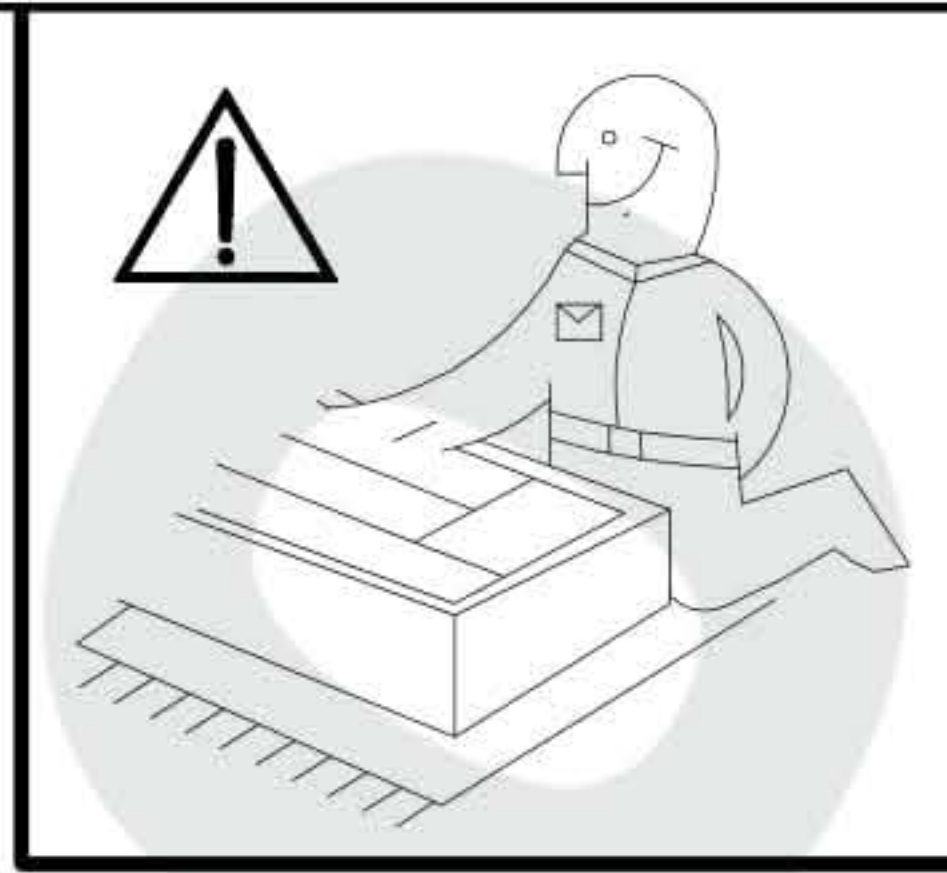
†8x30mm  A	†8x60mm  A2	†15/12mm  C	L=20mm  D2	27/310mm  I4	†6.3x20mm  M3	†20/8mm  J14
2	2	4	10	2	8	8



$\pm 8 \times 30 \text{mm}$  A	$\pm 15 / 12 \text{mm}$  C	$27 / 310 \text{mm}$  I4	$\pm 6,3 \times 13 \text{mm}$  M2	$L = 20 \text{mm}$  D2
8	8	3	12	2

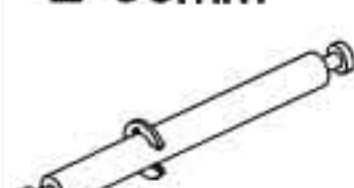


$\pm 8 \times 30 \text{mm}$  A 10	$\pm 15/12 \text{mm}$  C 12	$L=20 \text{mm}$  D2 8	 L33 5	$\pm 3.5 \times 13 \text{mm}$  P5 10
--	--	---	---	---



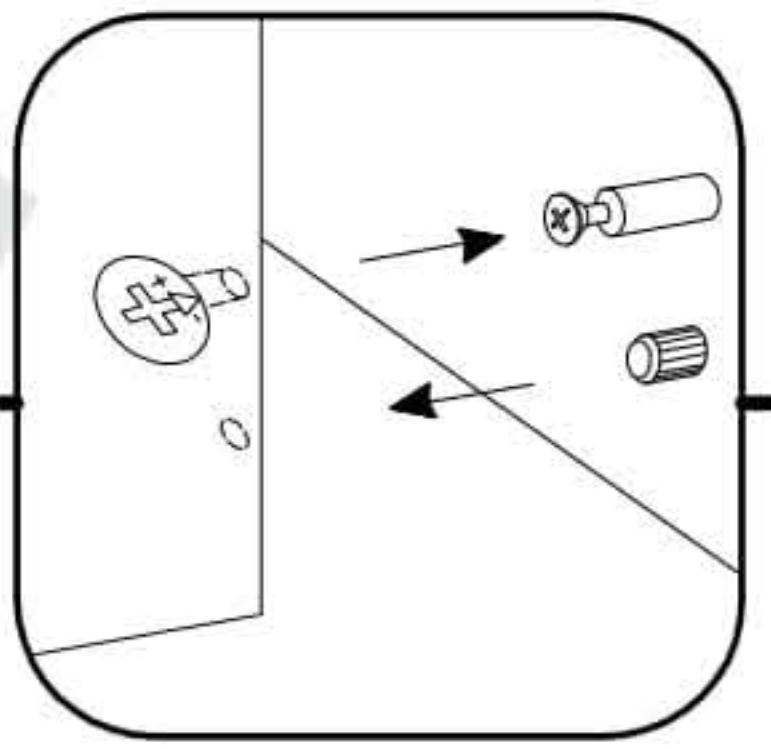
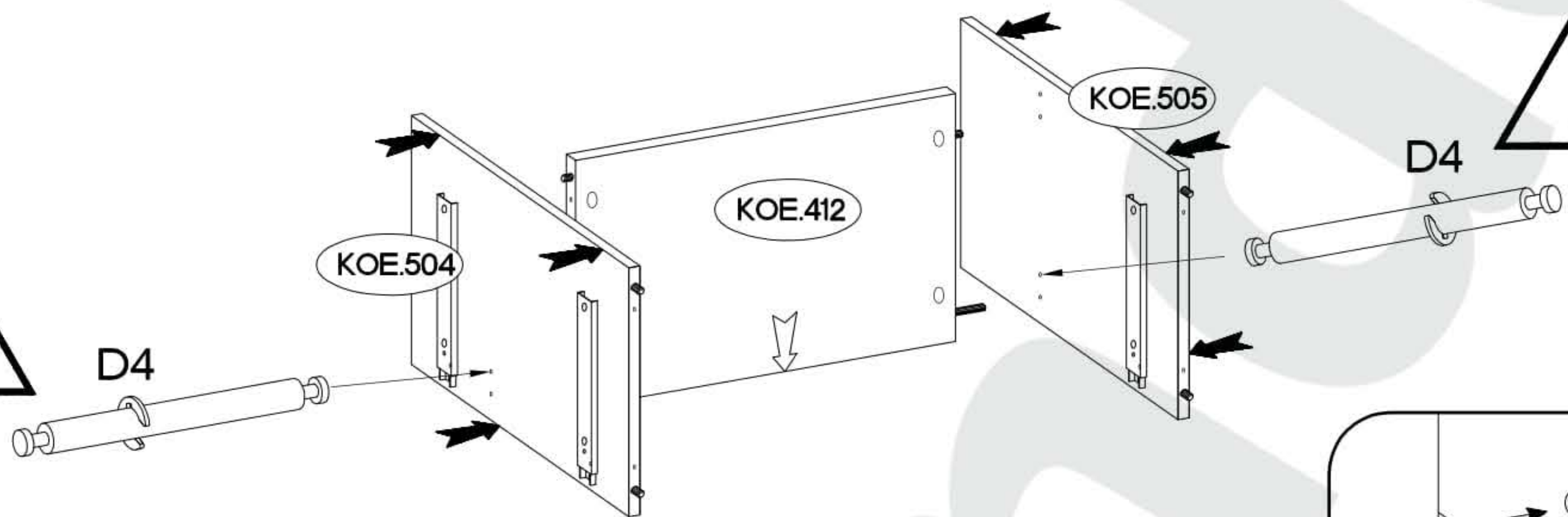
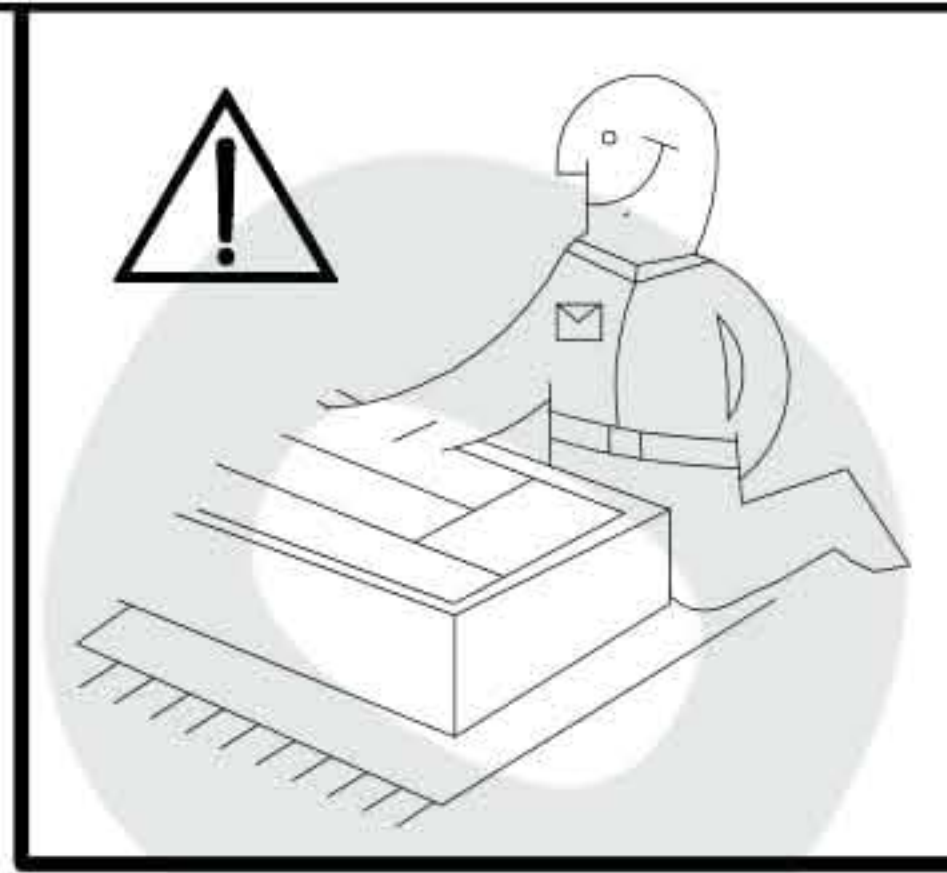
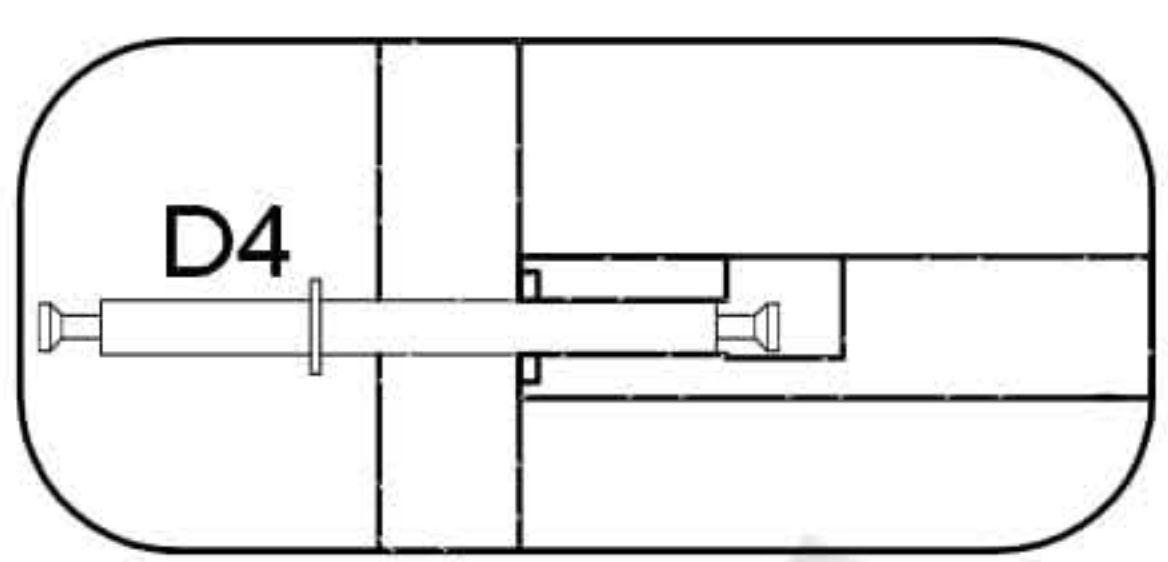
14

L=56mm

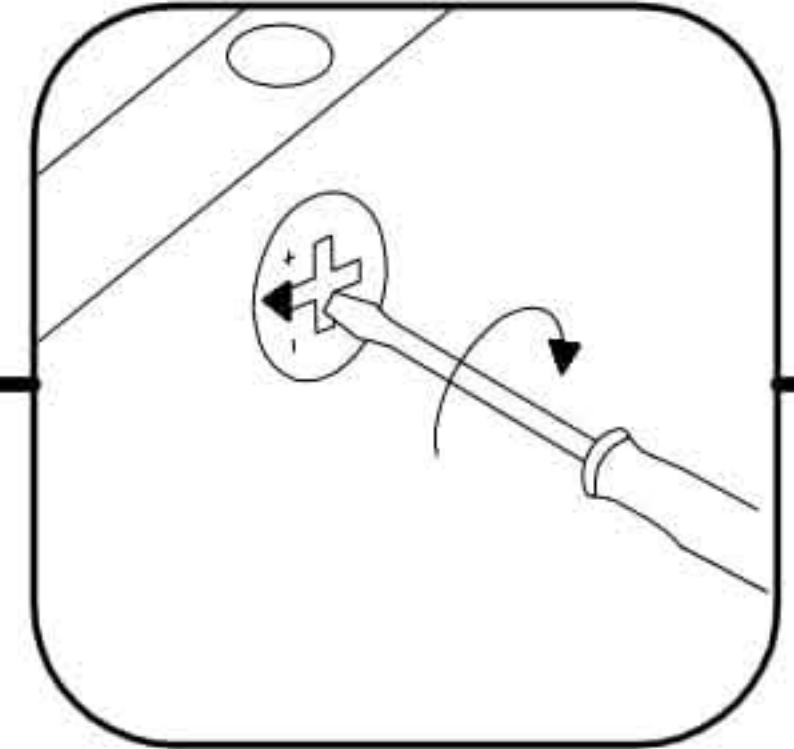
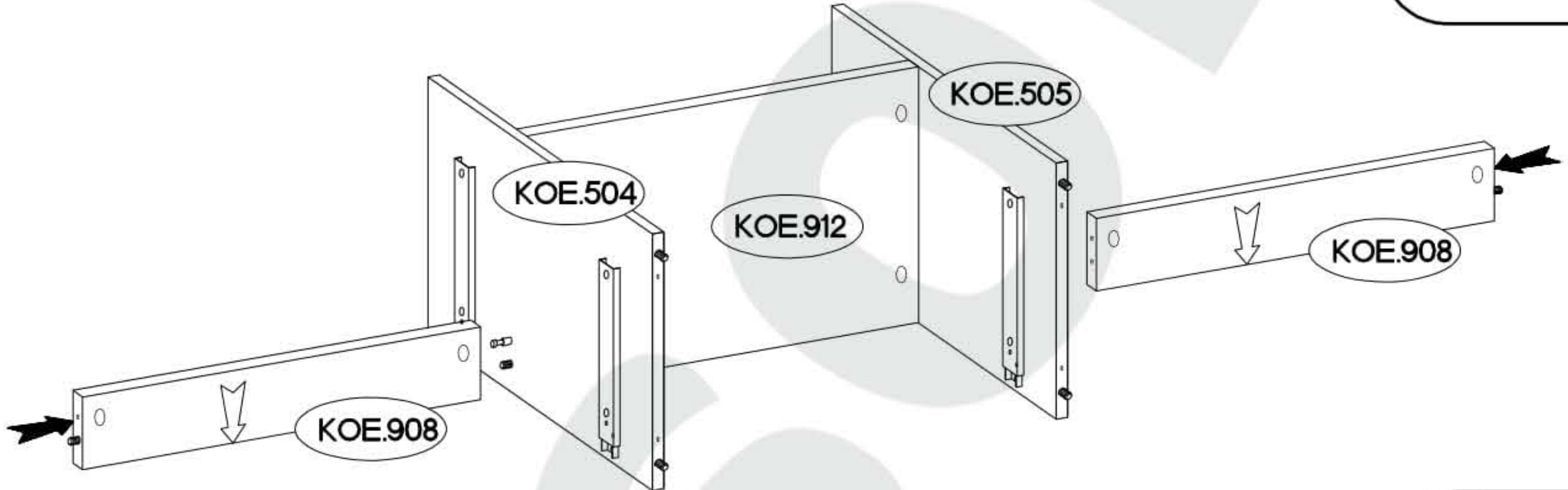


D4

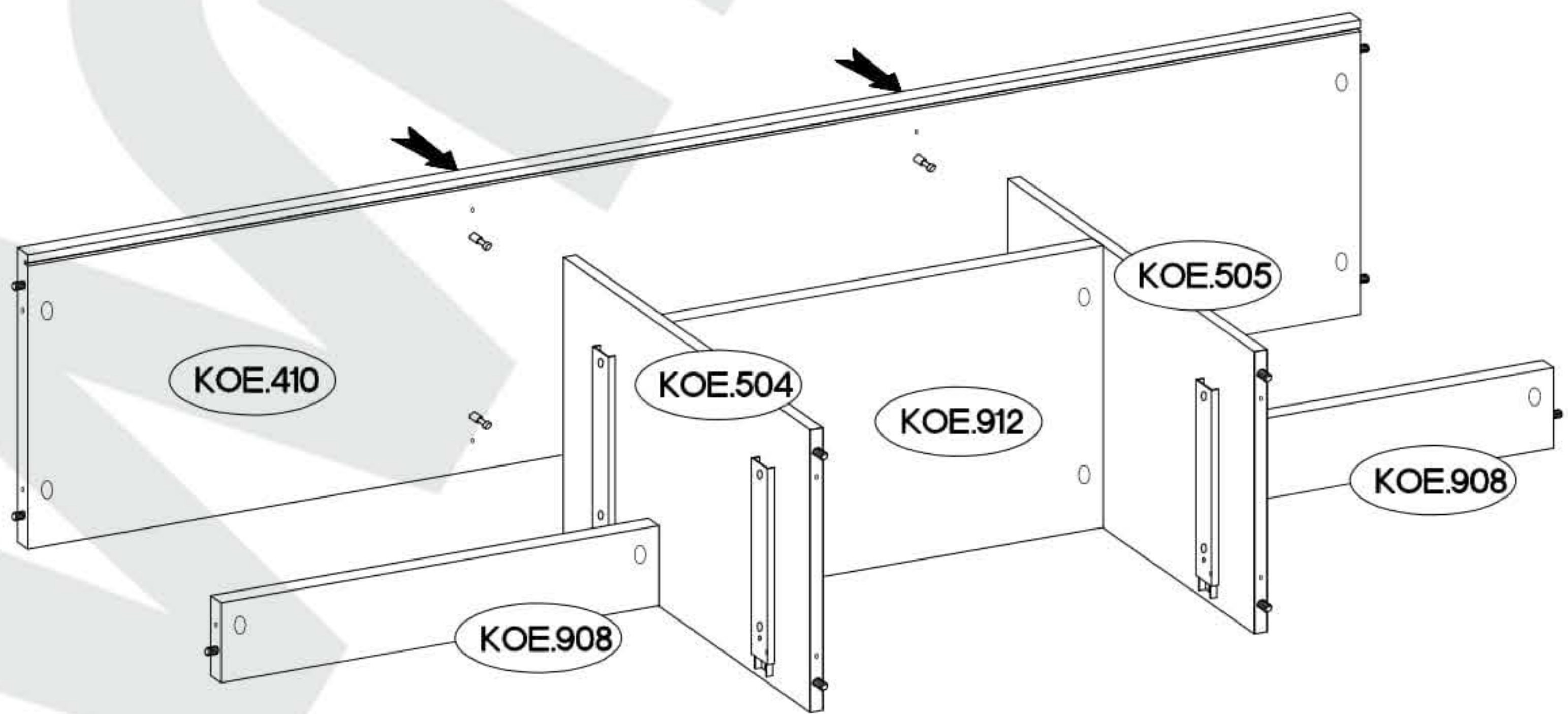
2

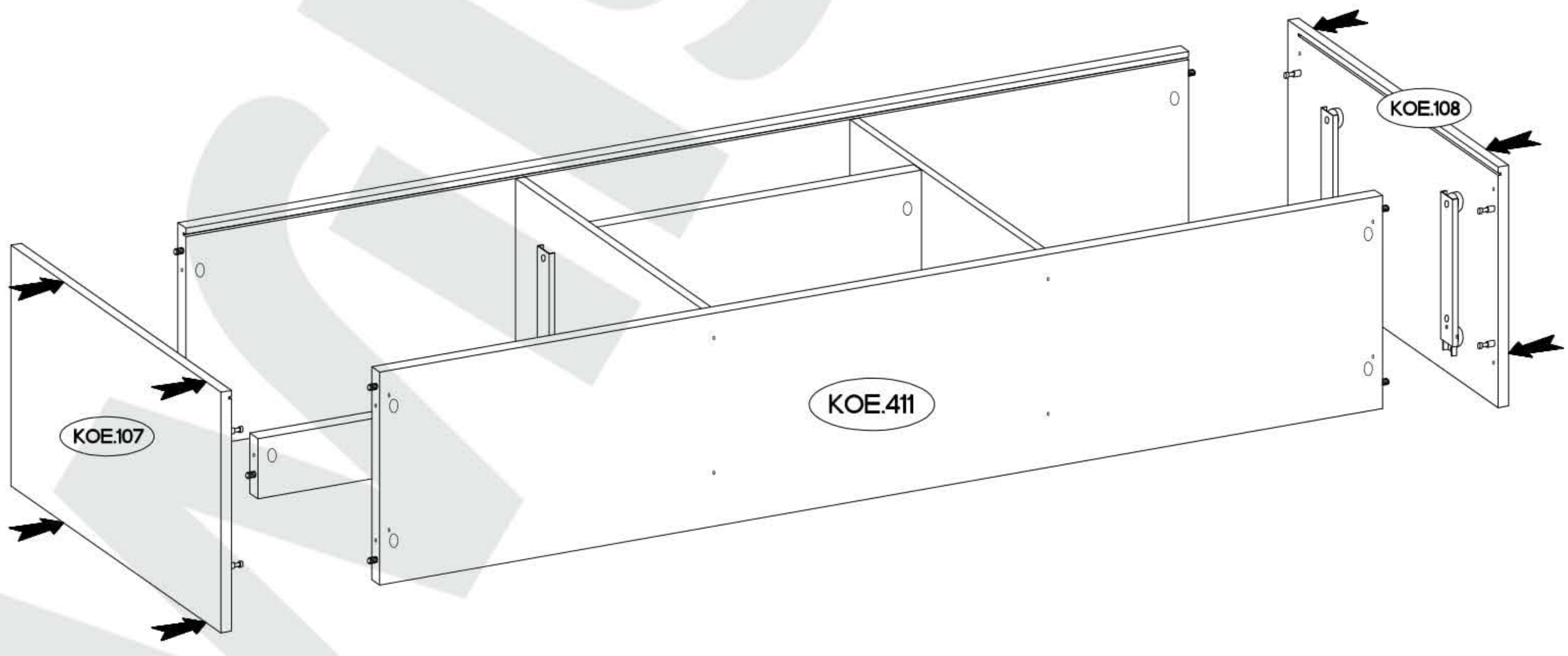
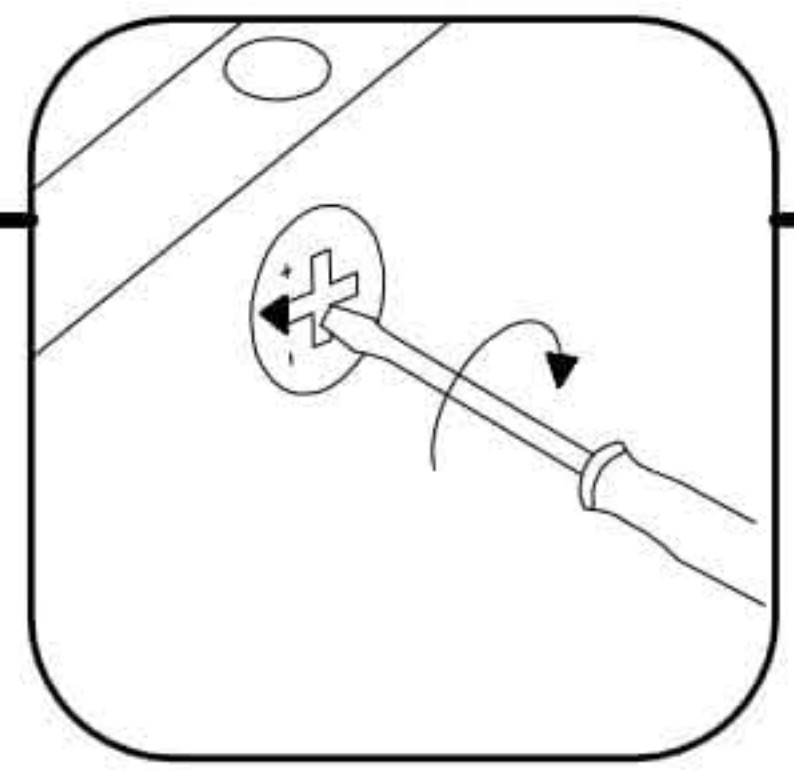
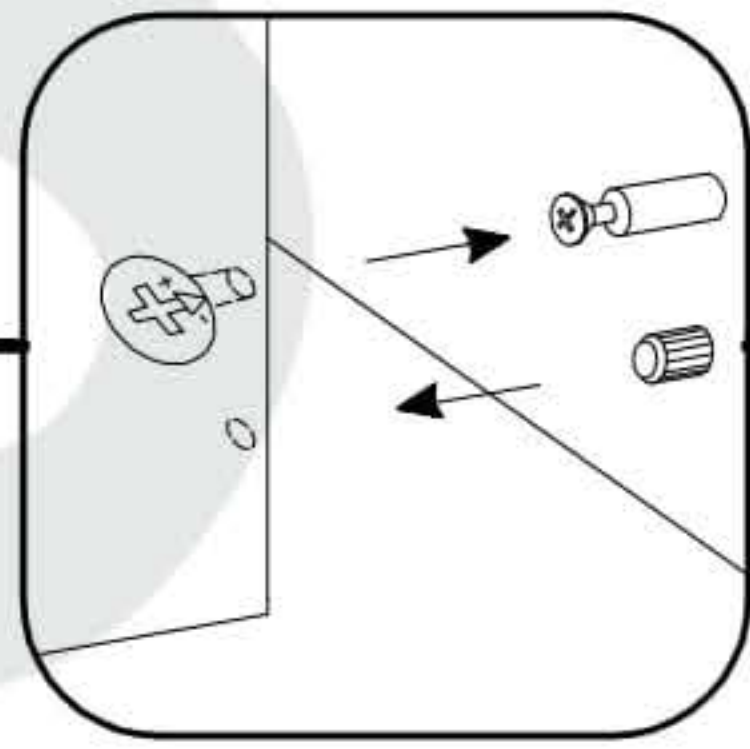
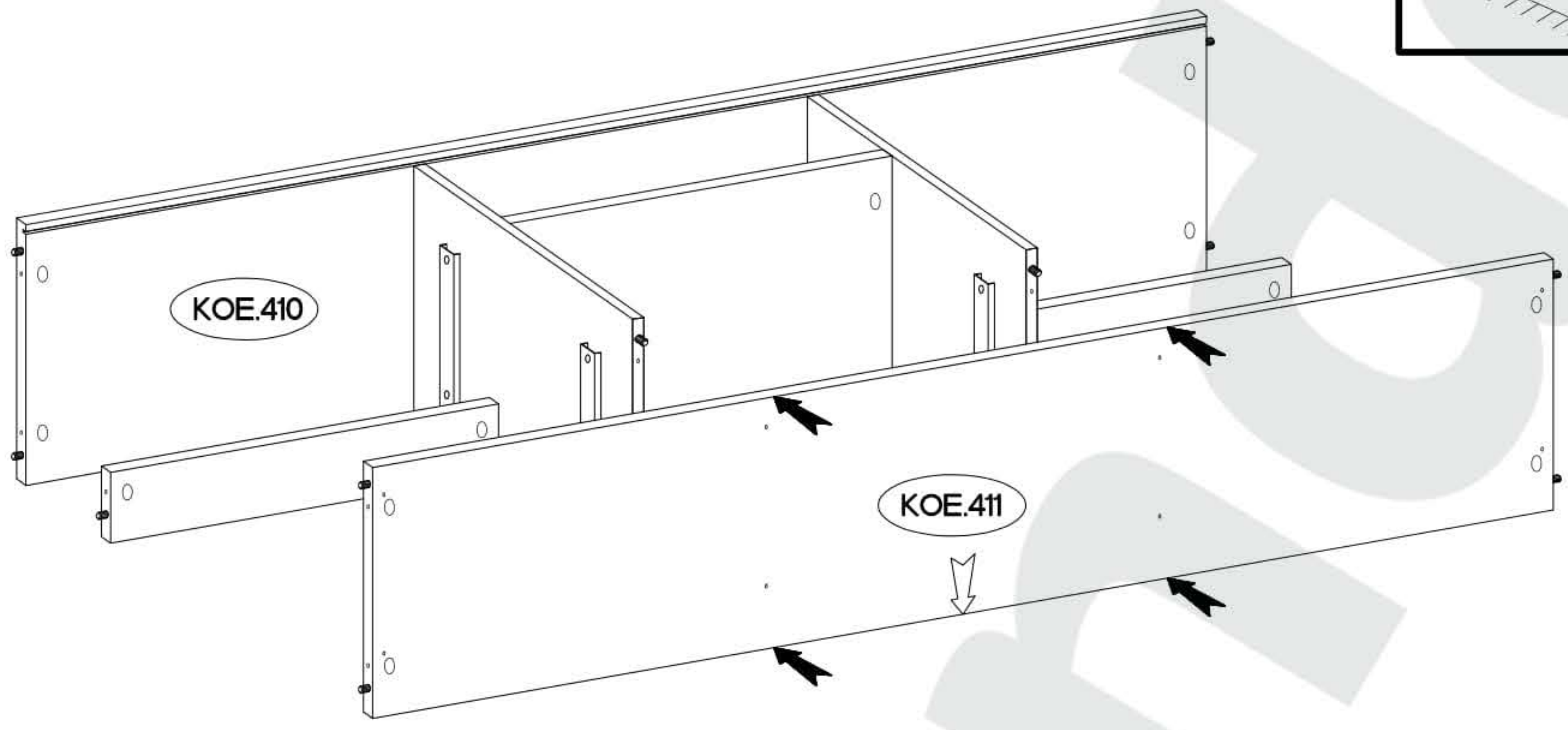
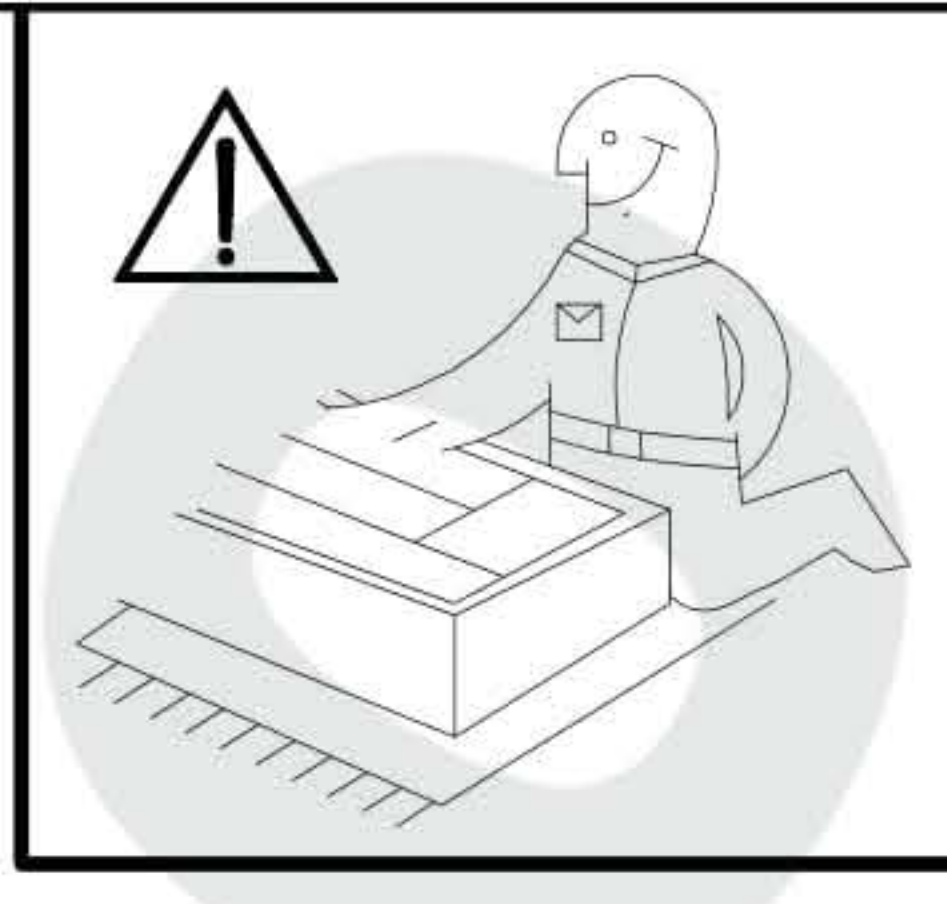



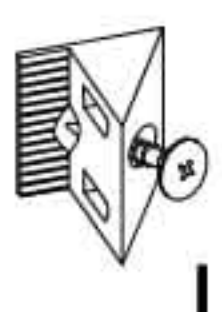
15

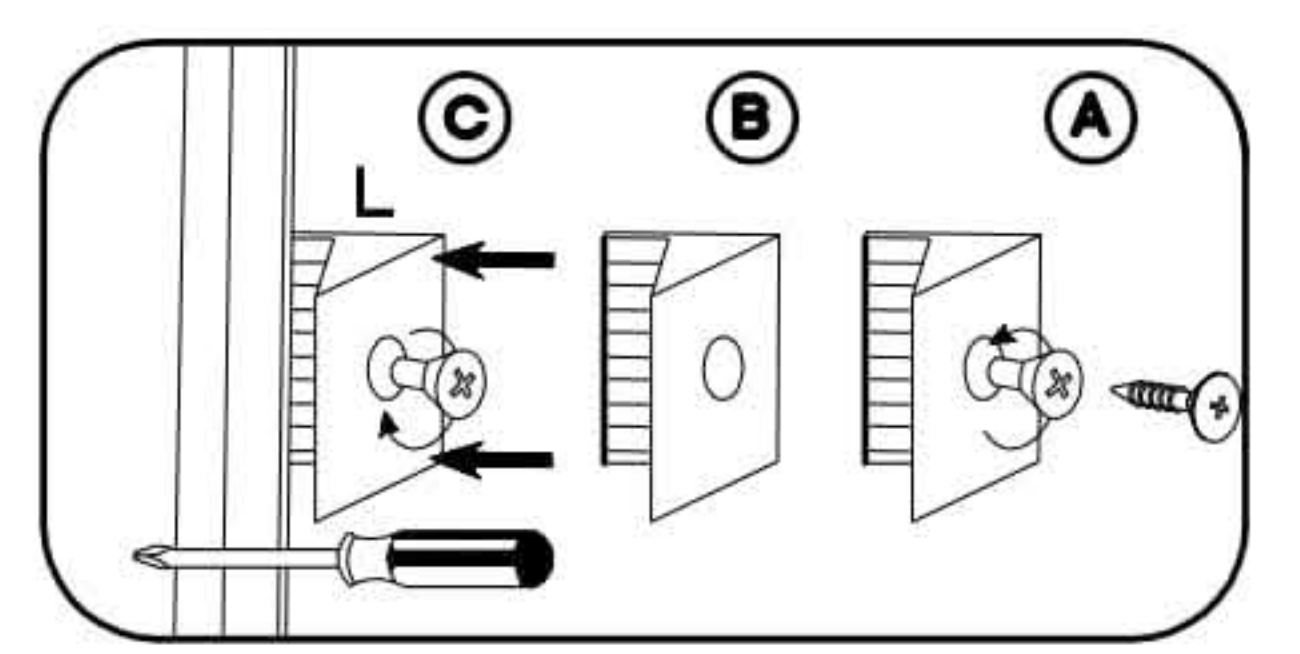
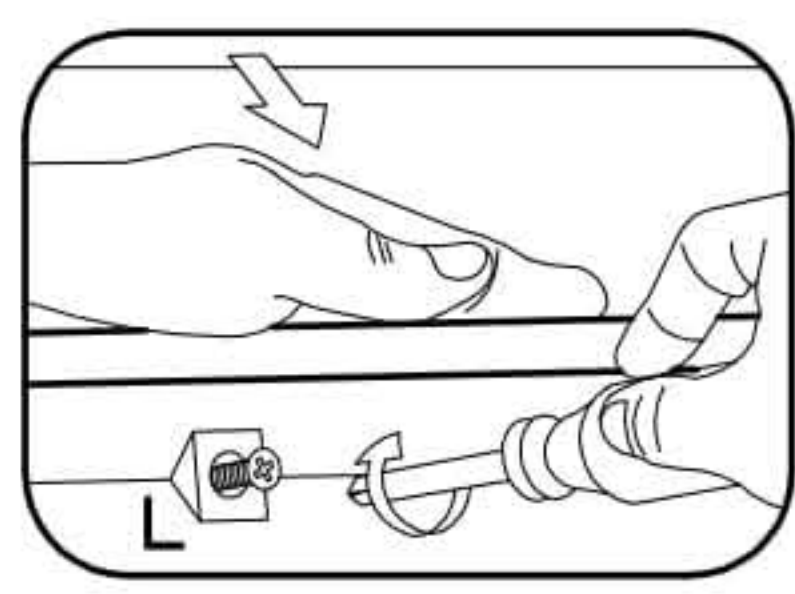
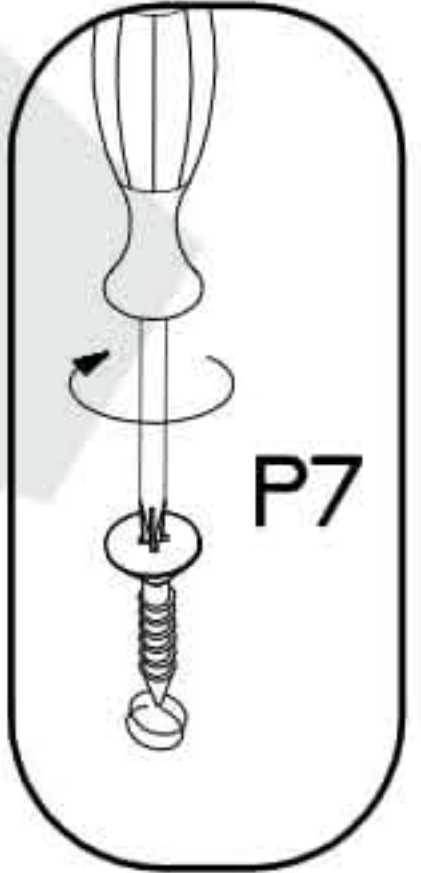
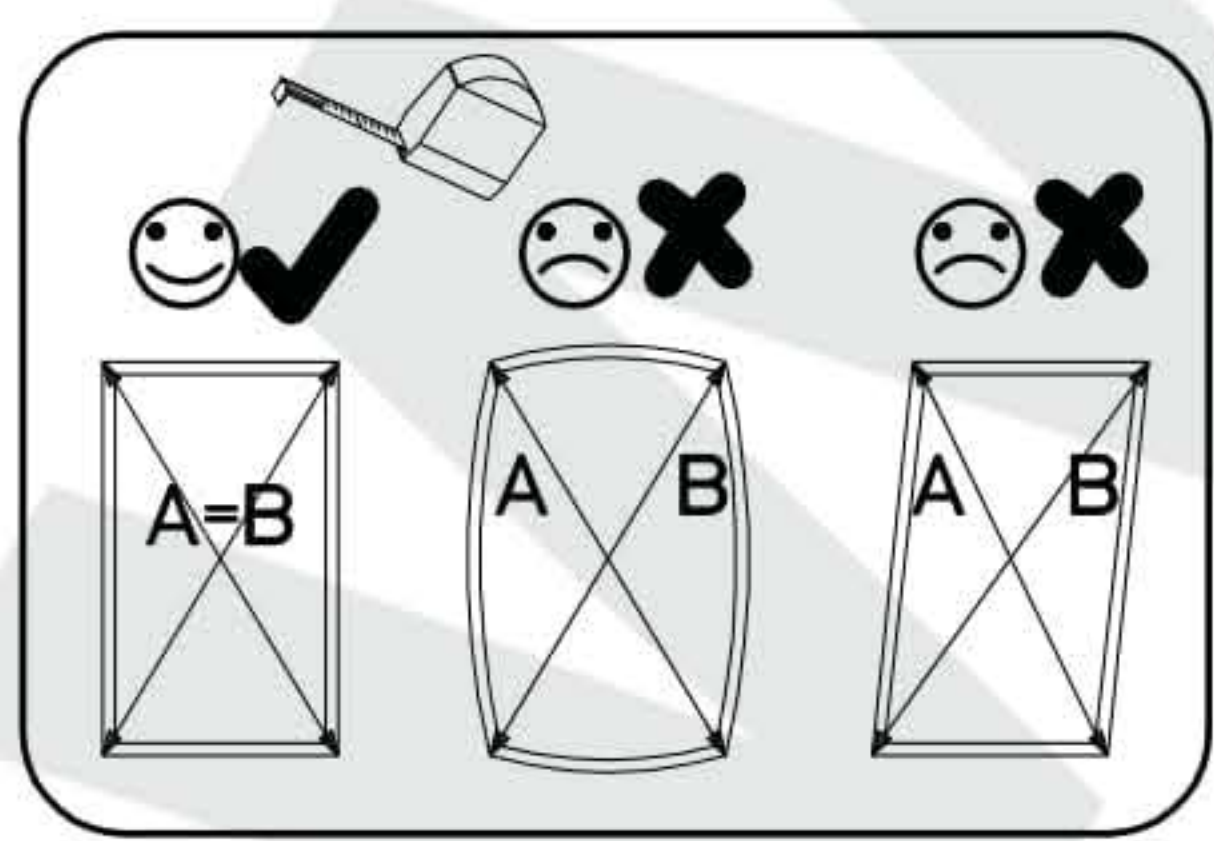
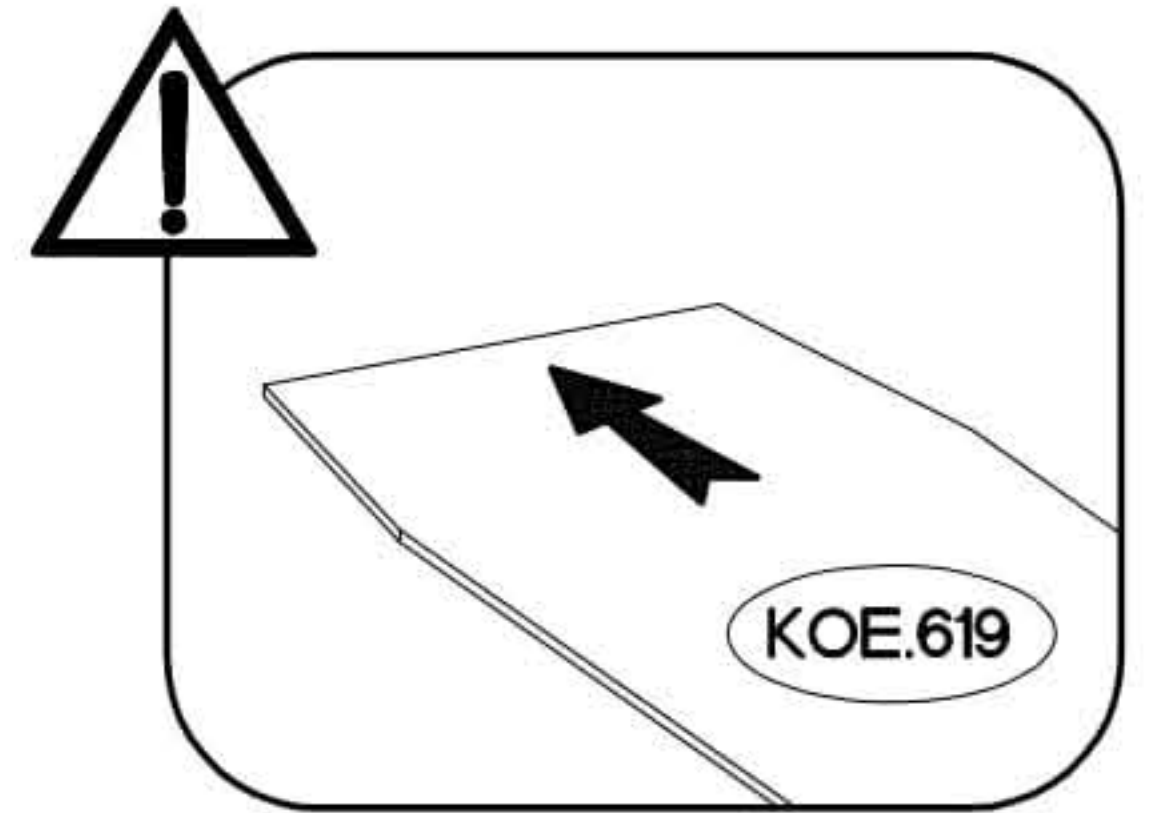
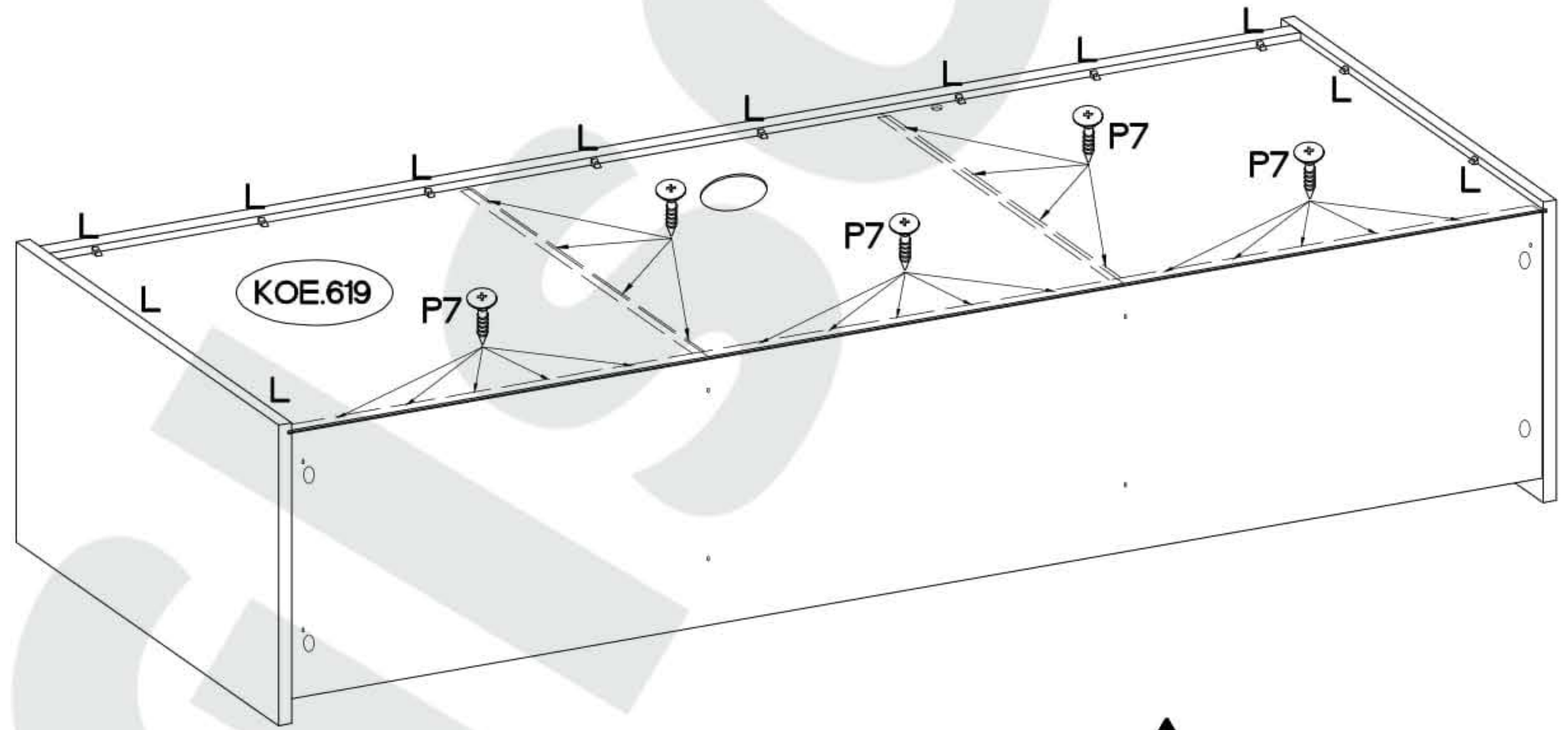
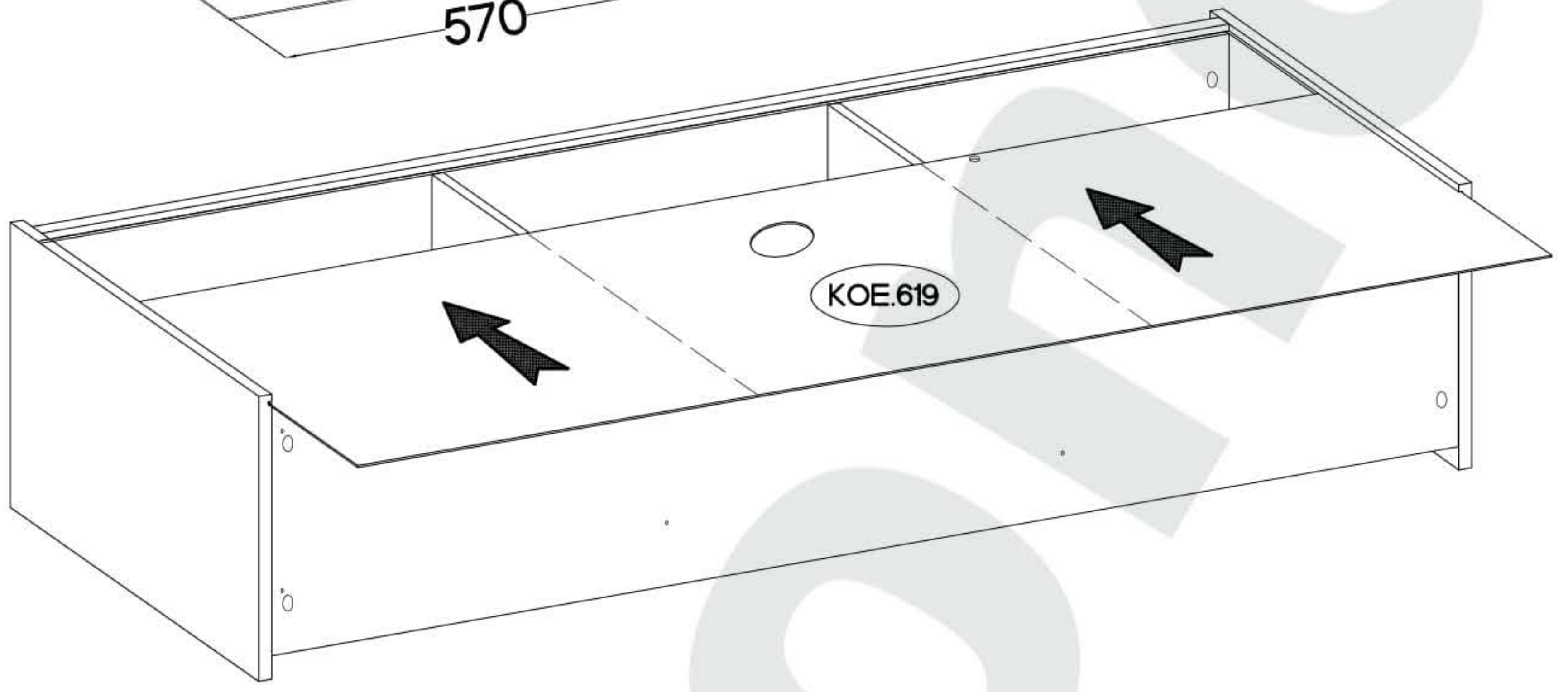
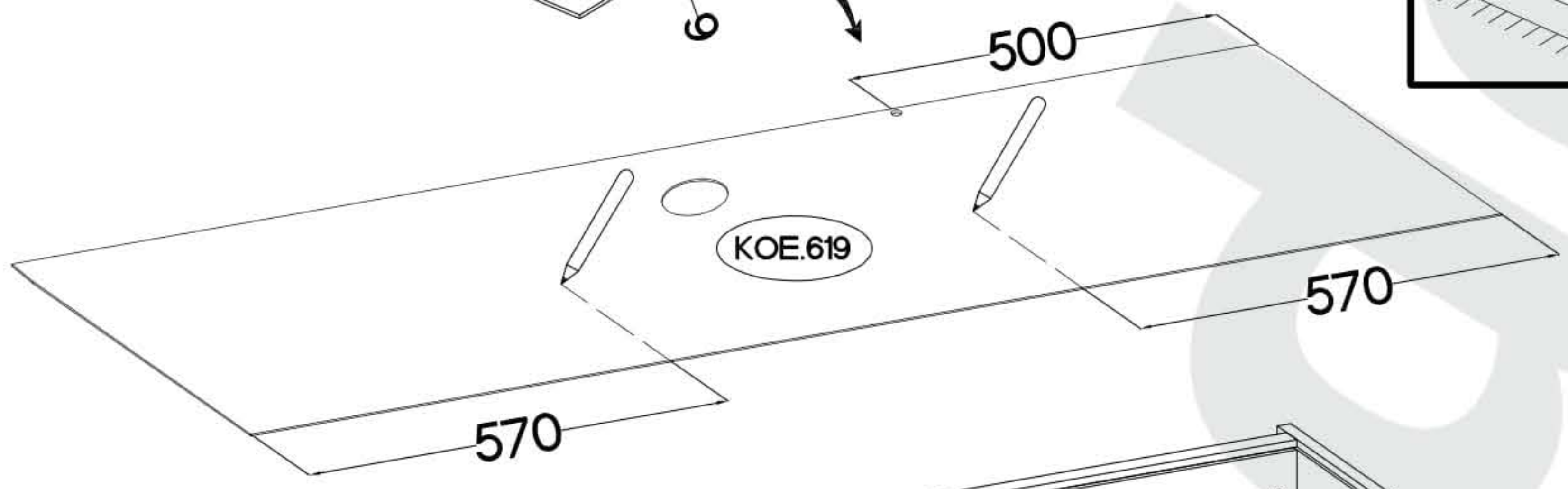
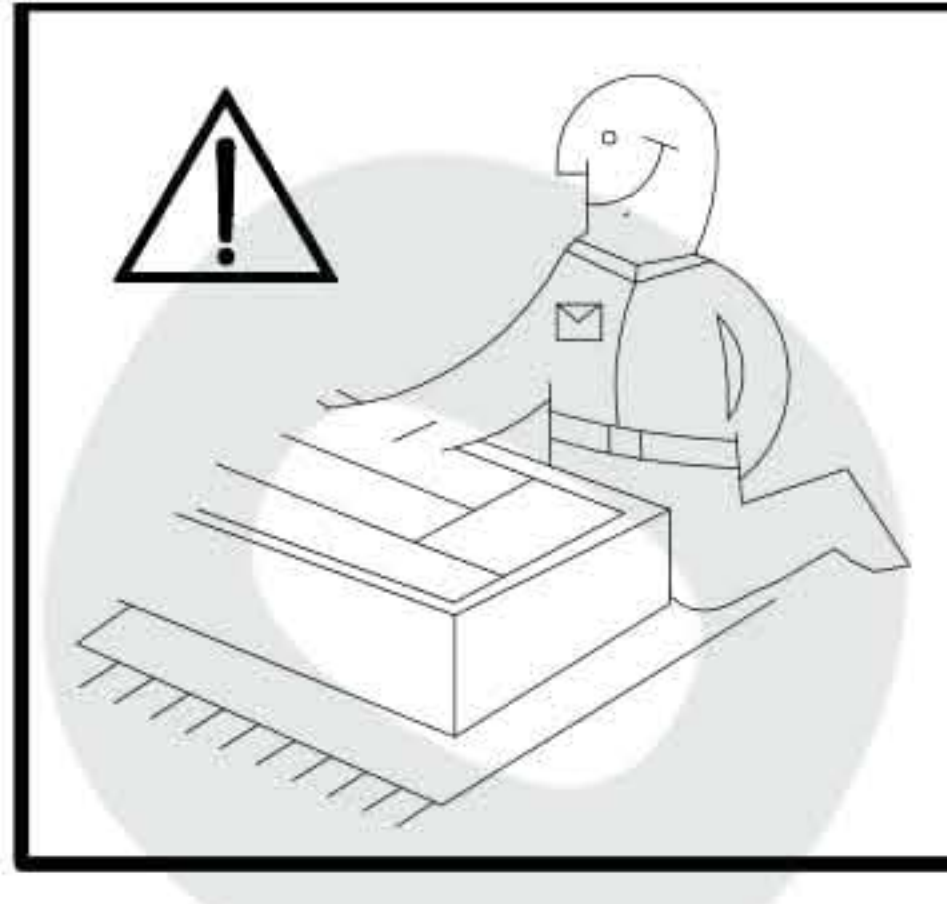
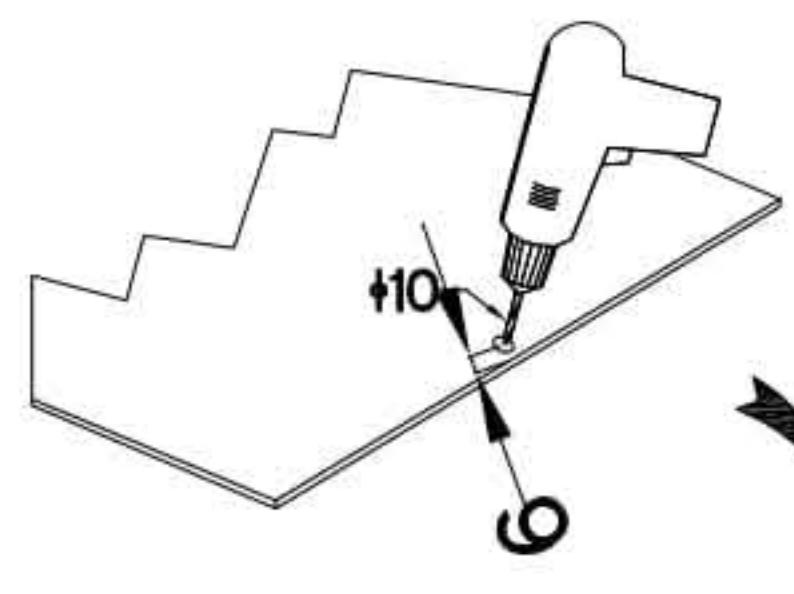


16



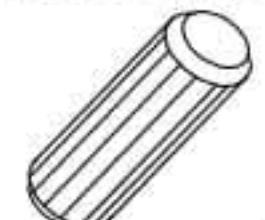


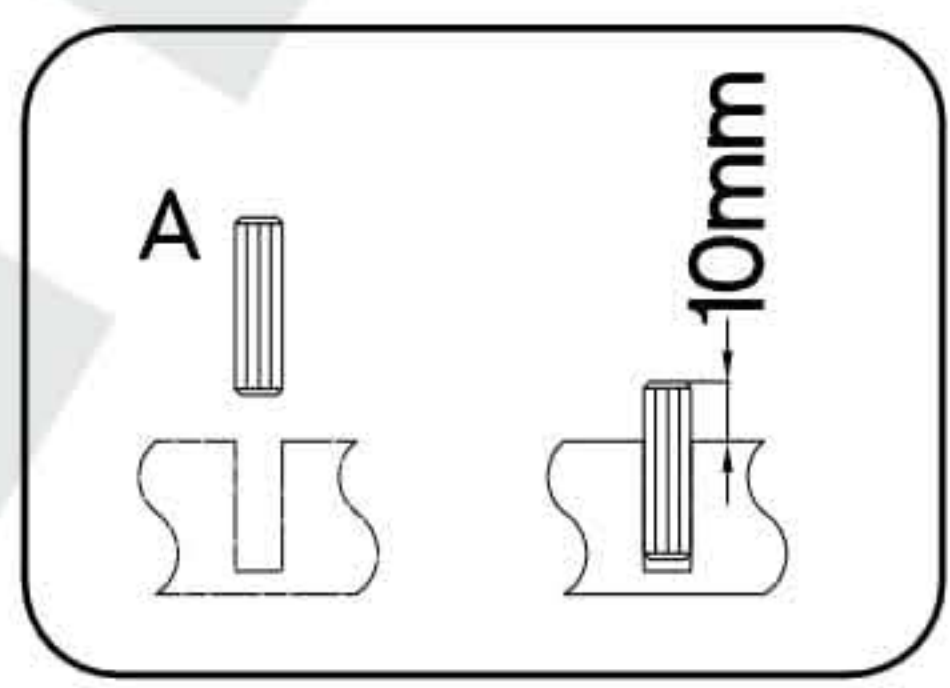
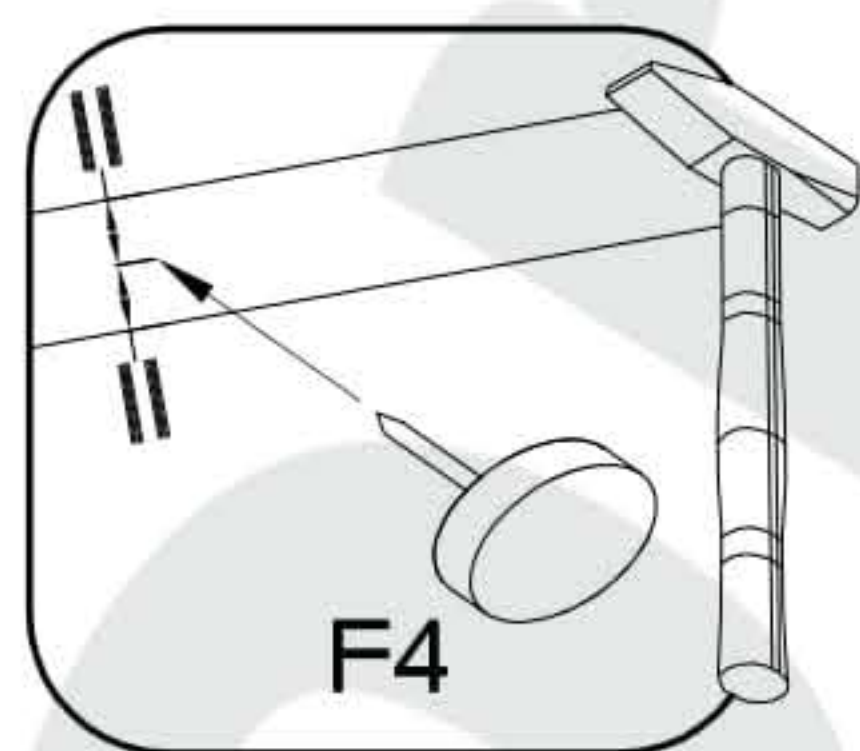
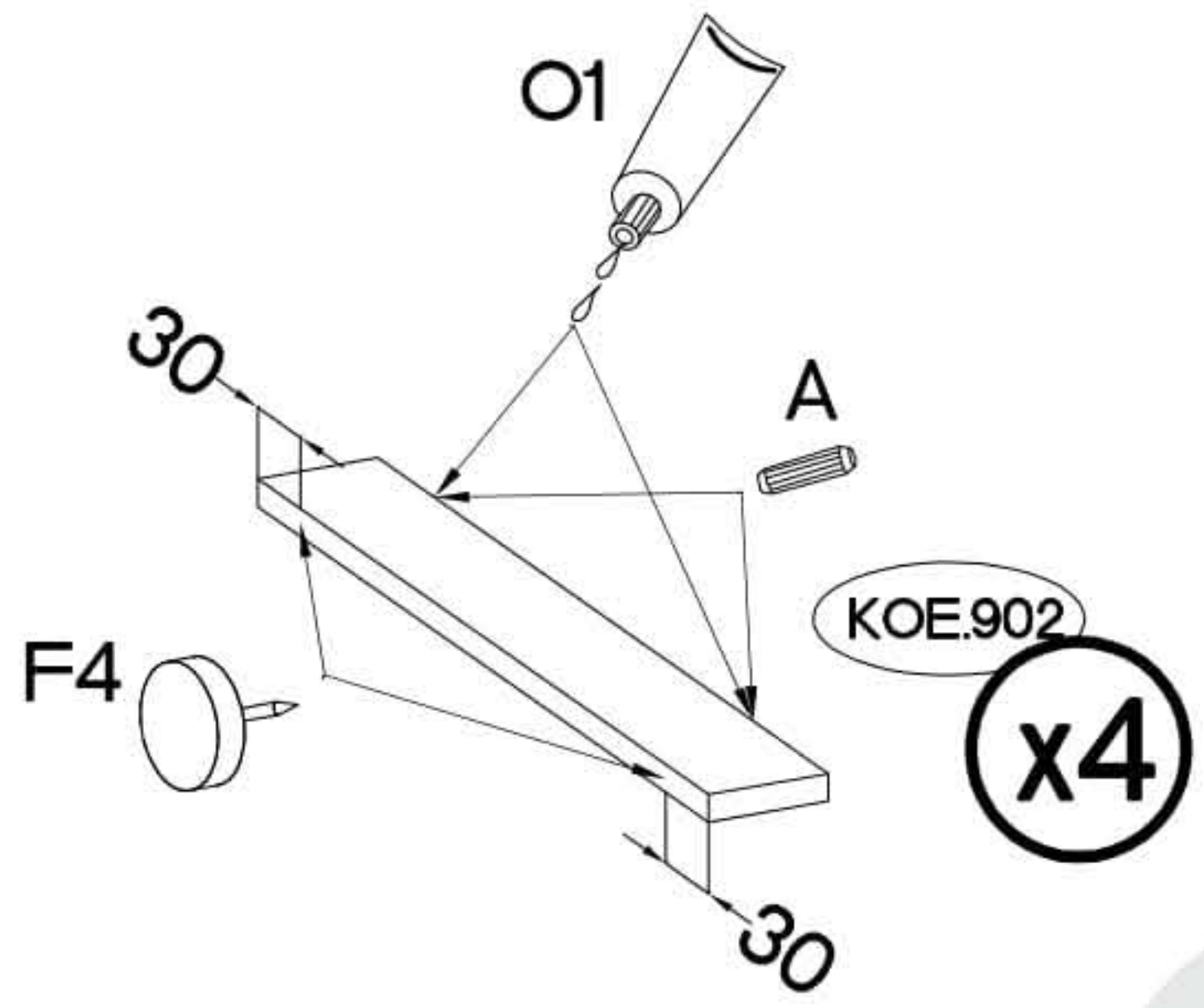
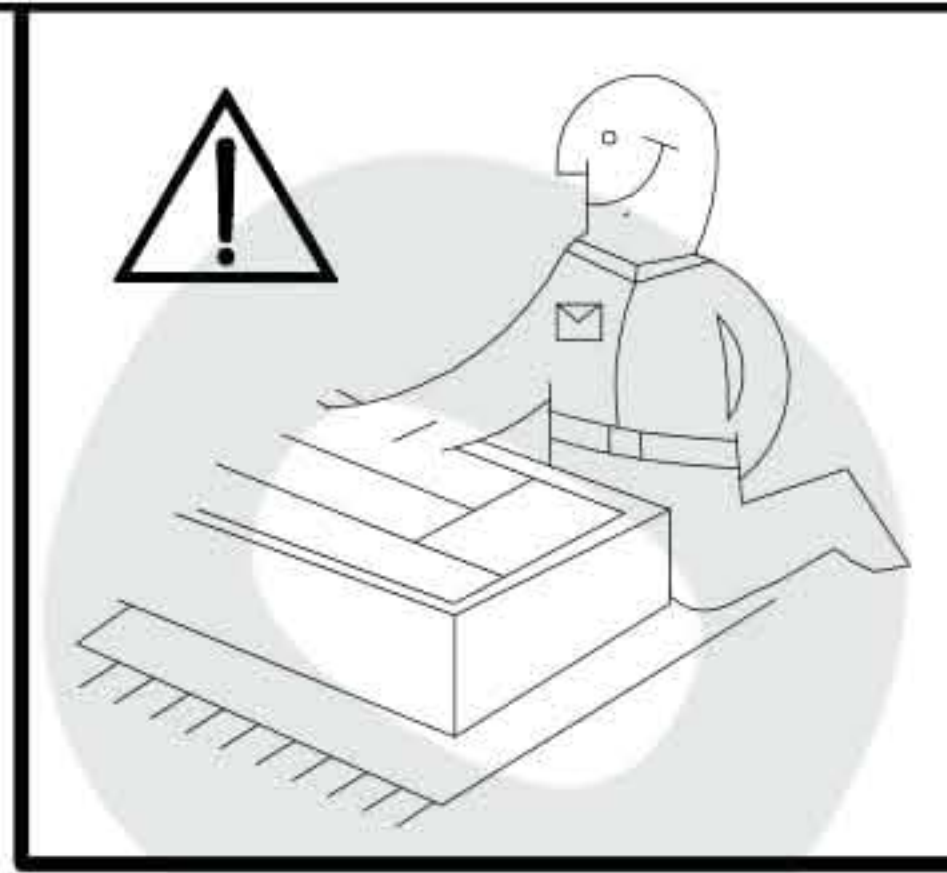


+3.0x20mm	
	
P7	L
23	12

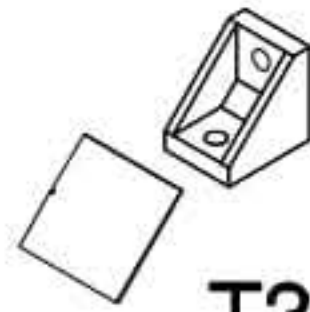



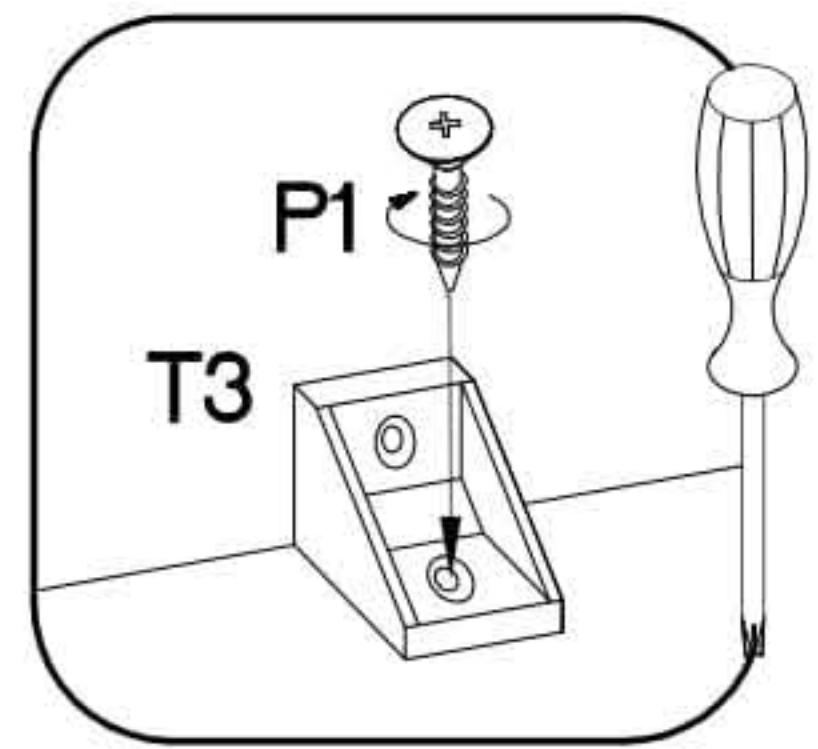
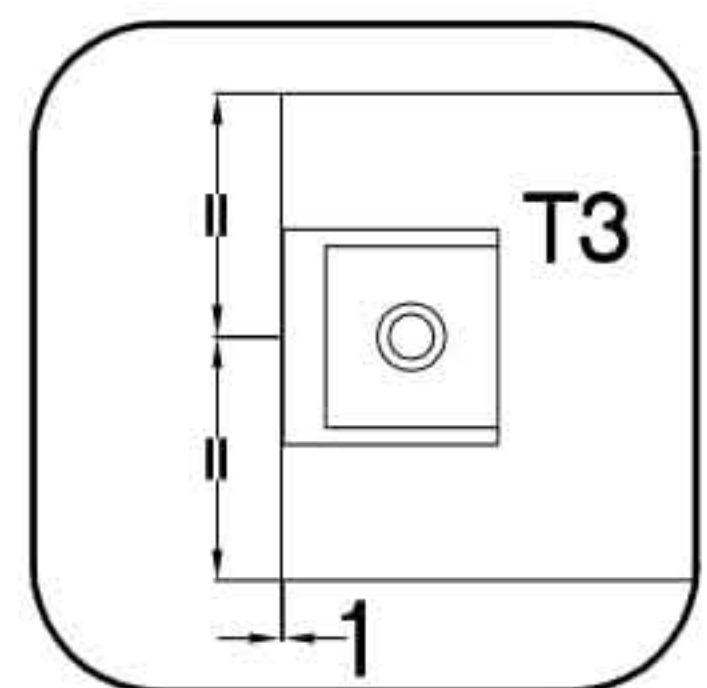
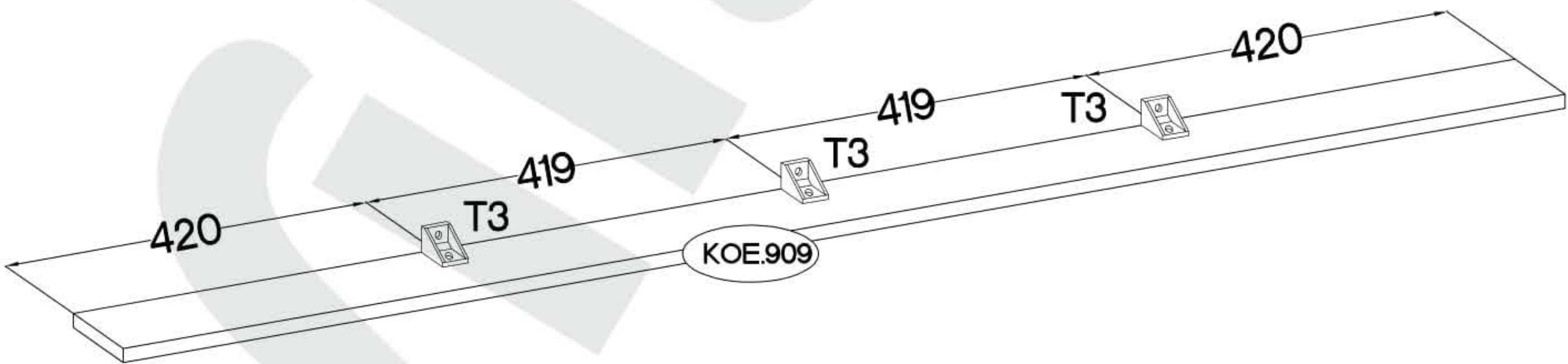
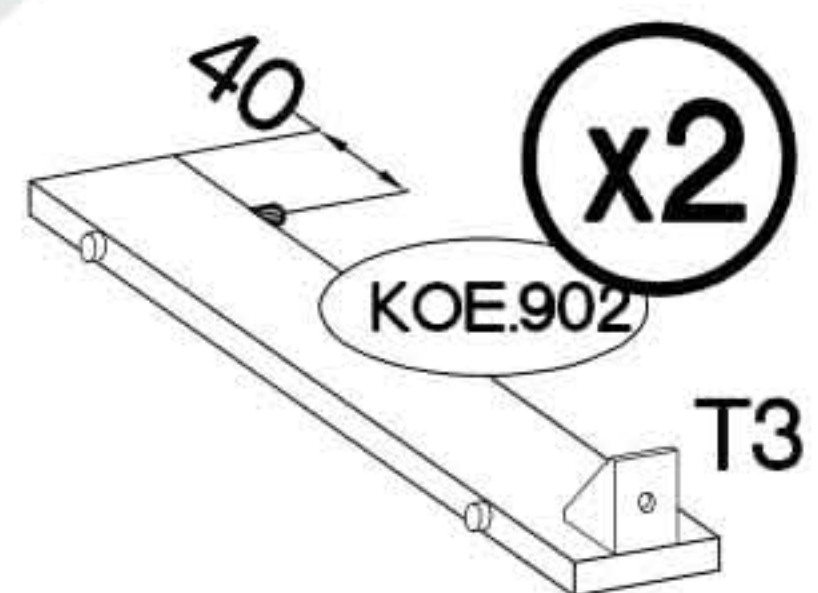
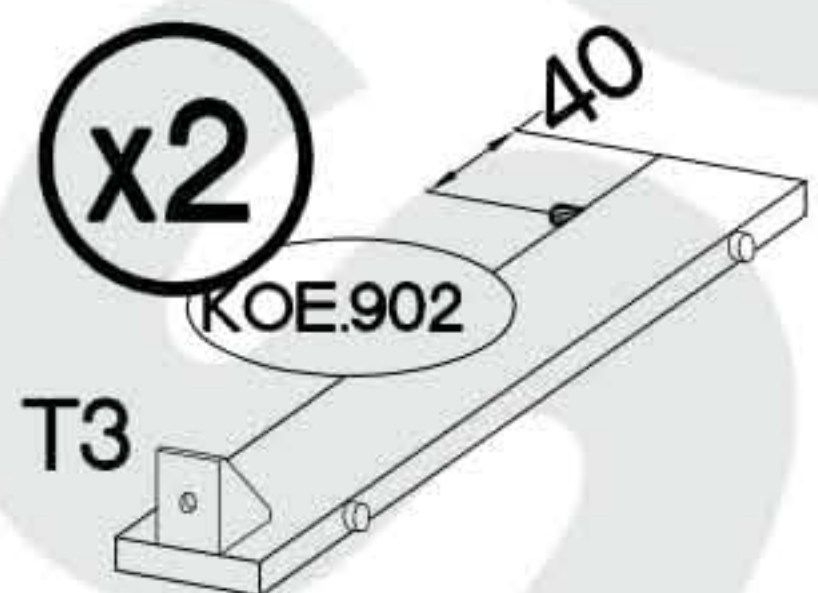
20

†15x5mm  F4 8	†8x30mm  O1 1	†8x30mm  A 8
---	---	--

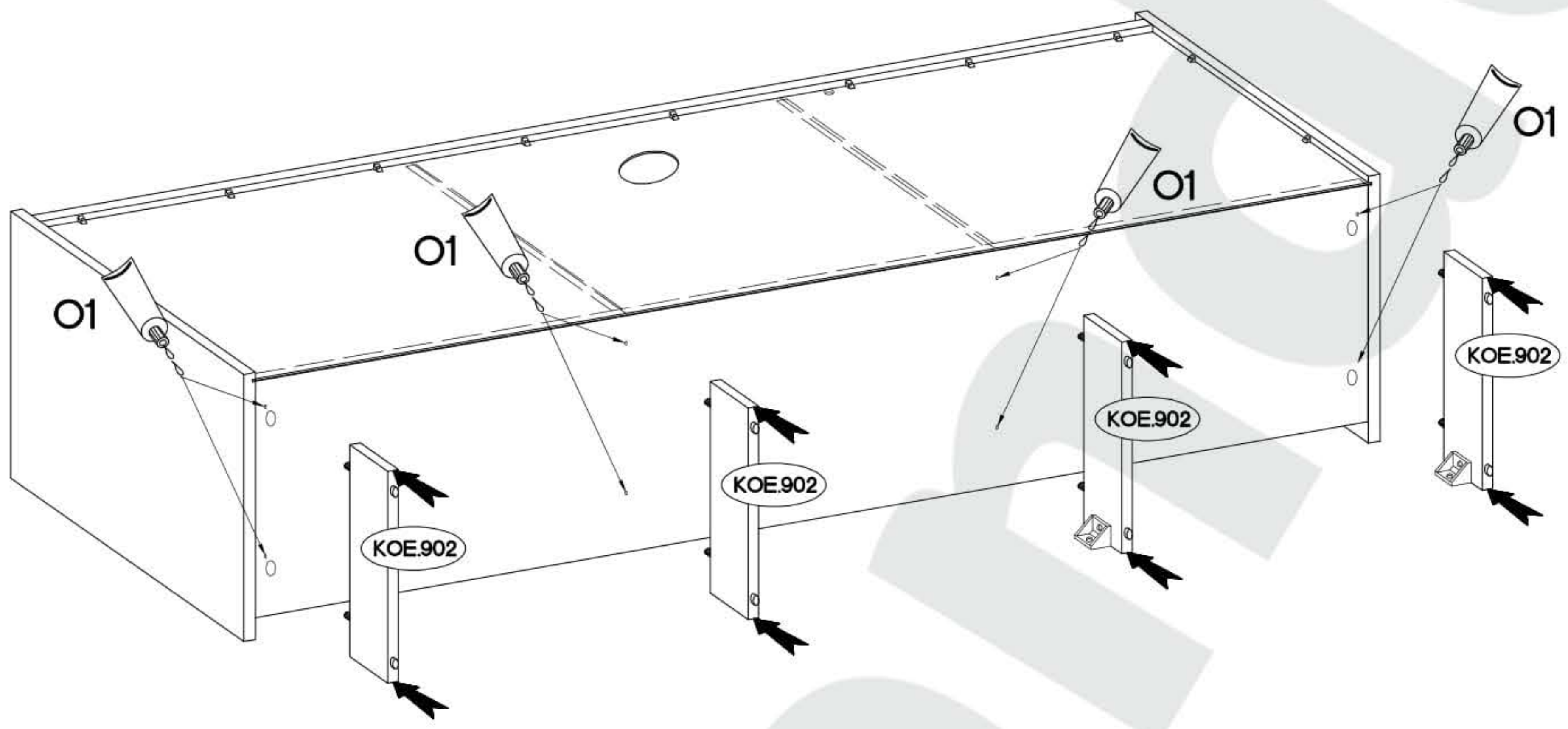
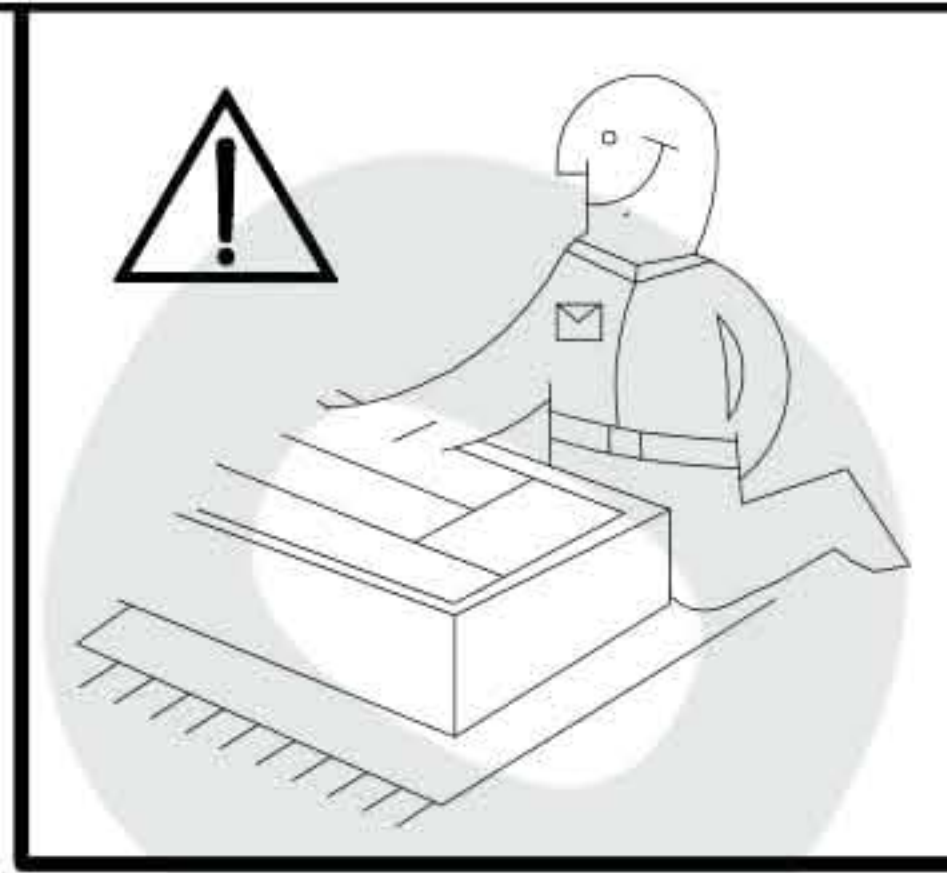
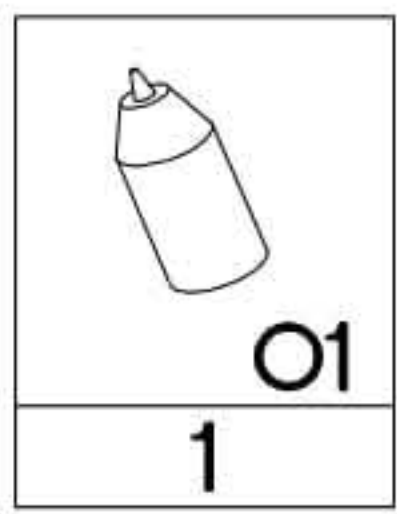


21

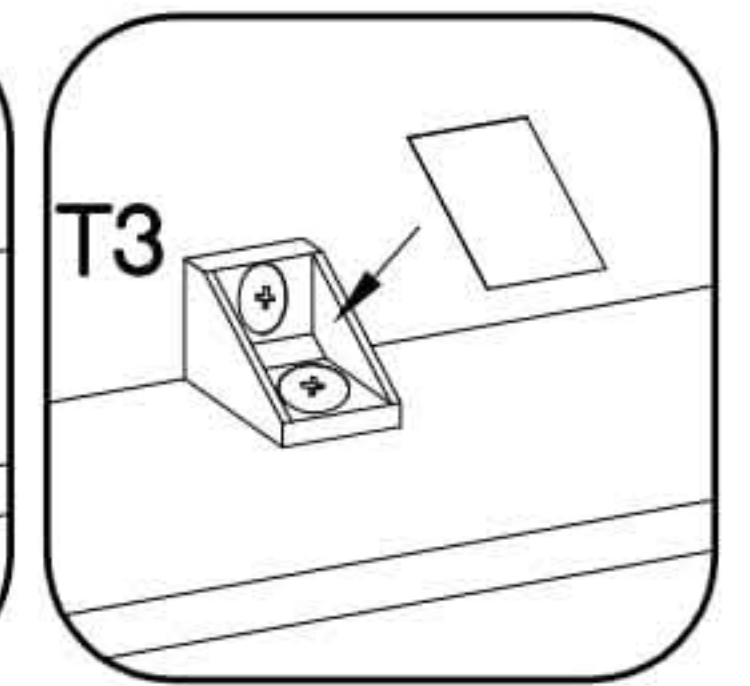
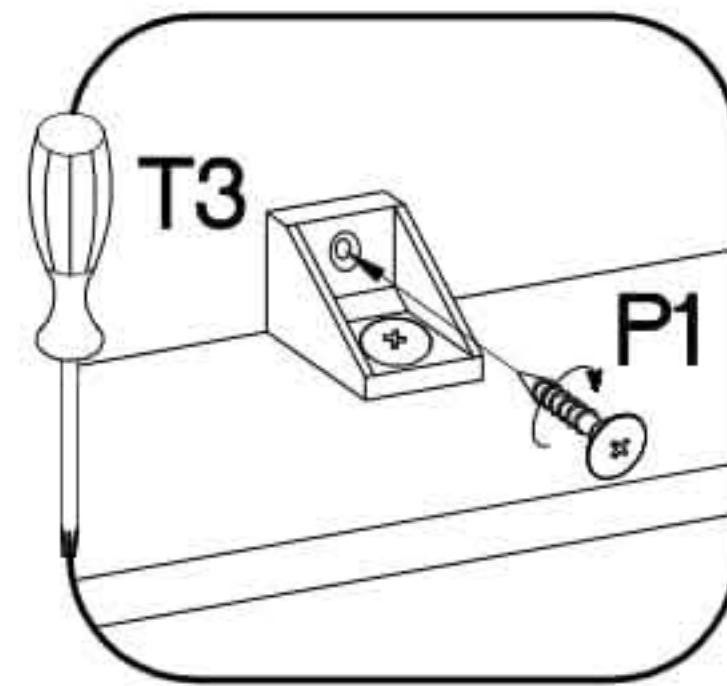
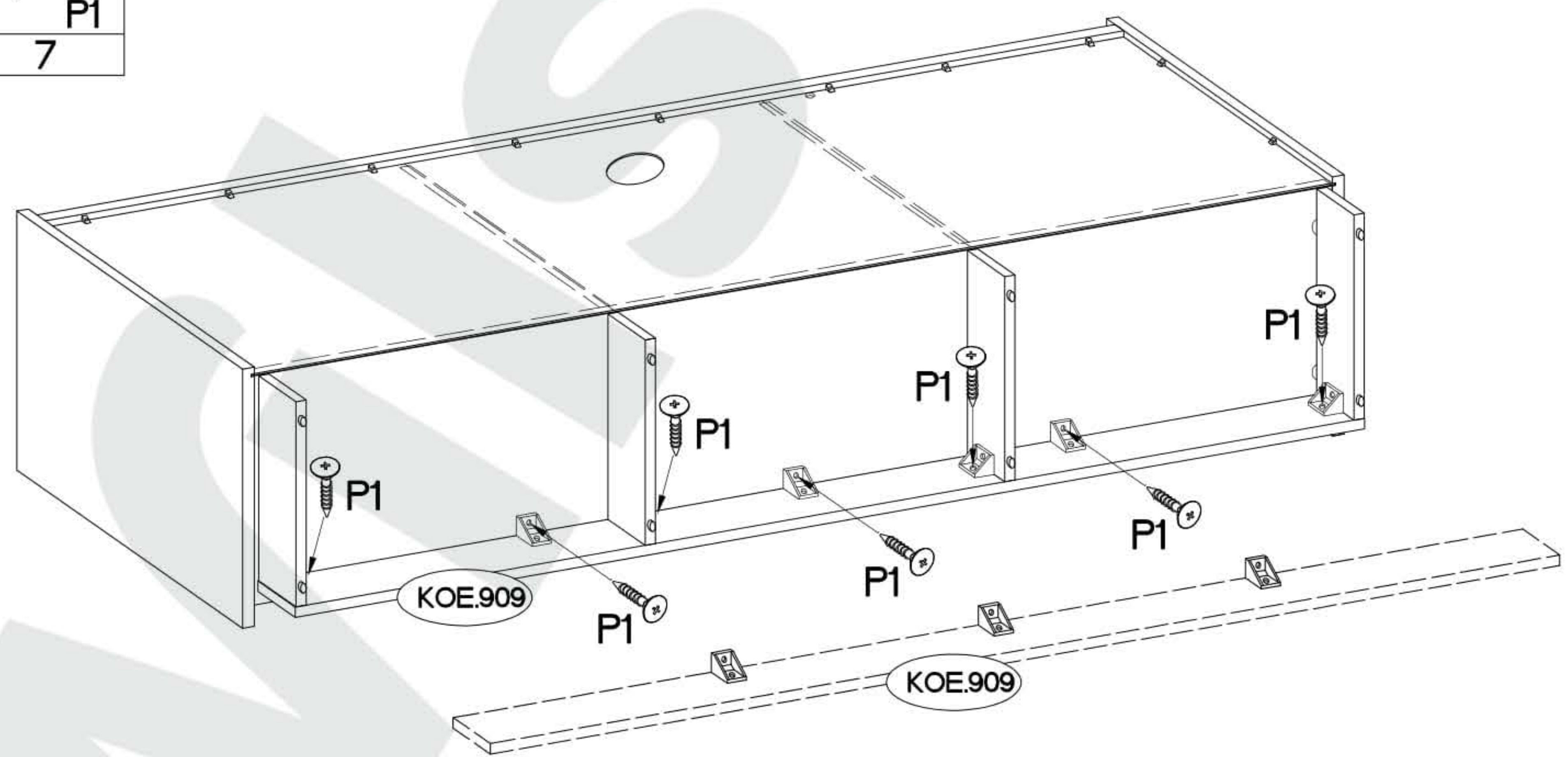
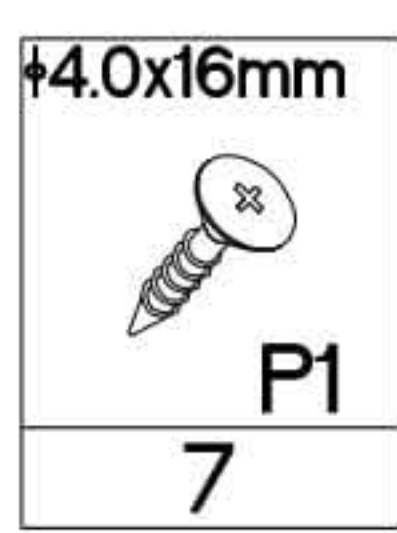
 T3 7	†4.0x16mm  P1 7
---	--






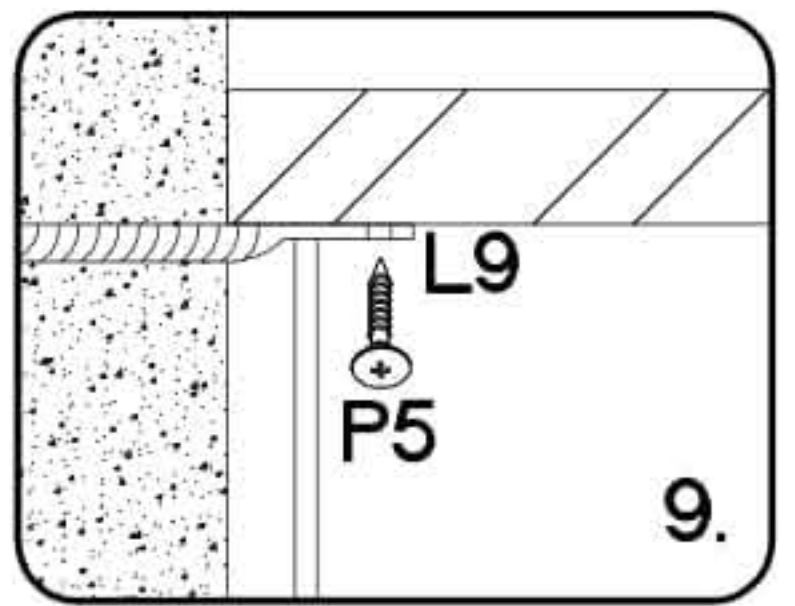
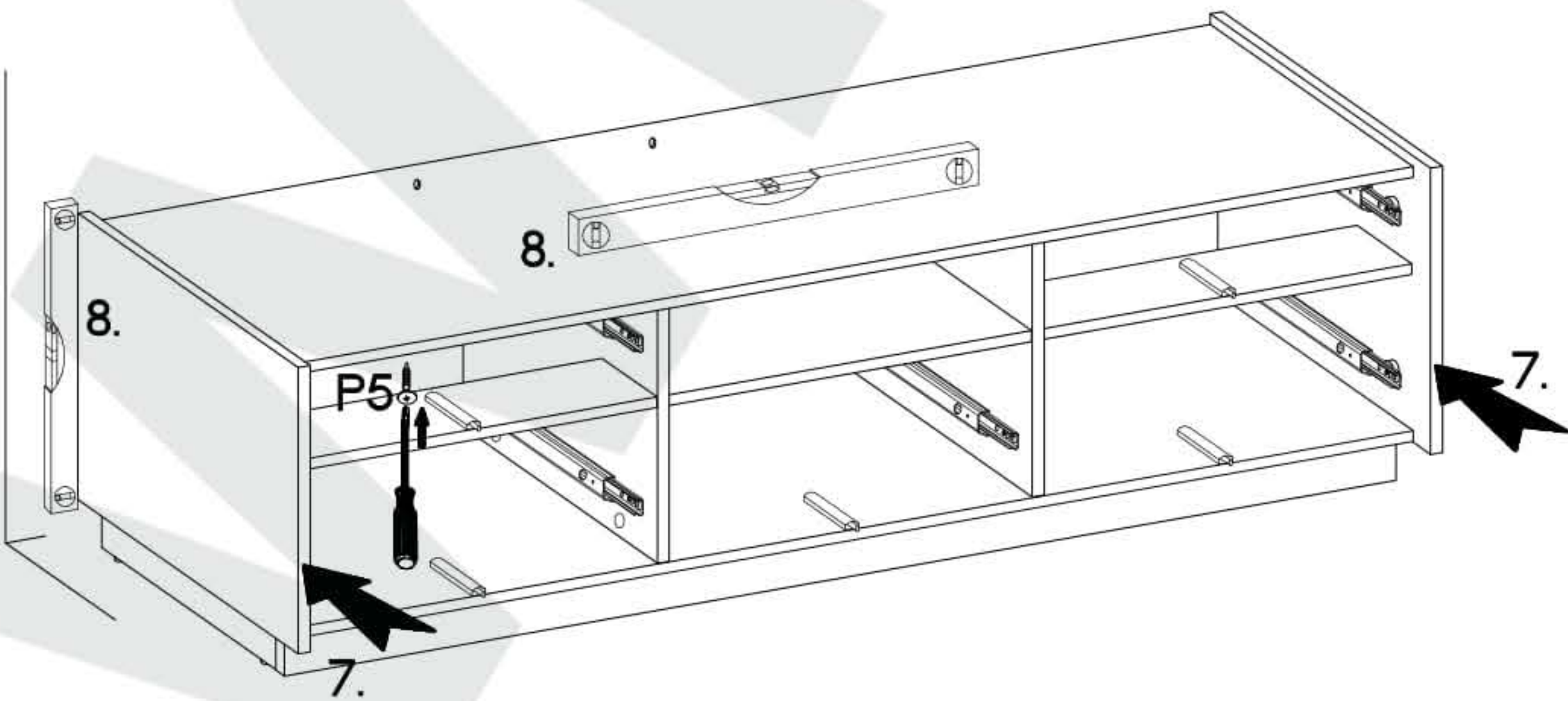
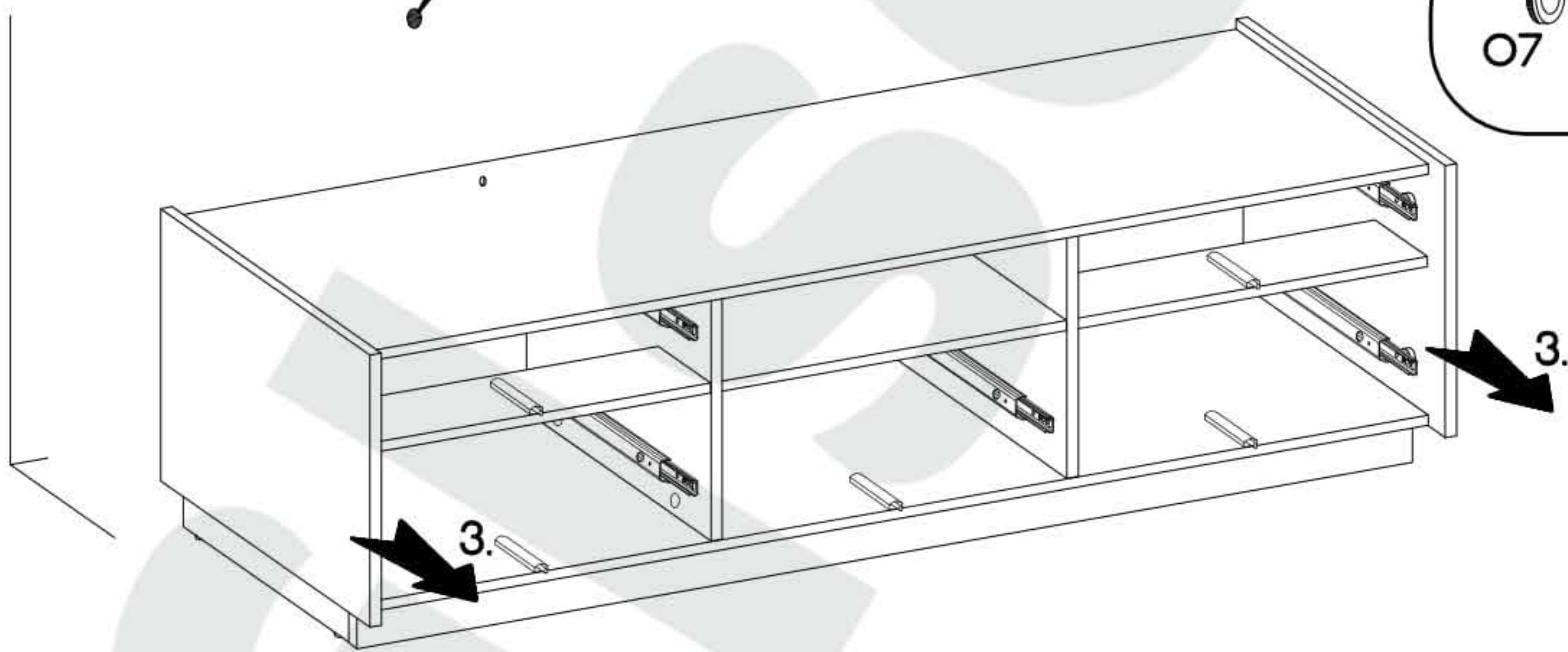
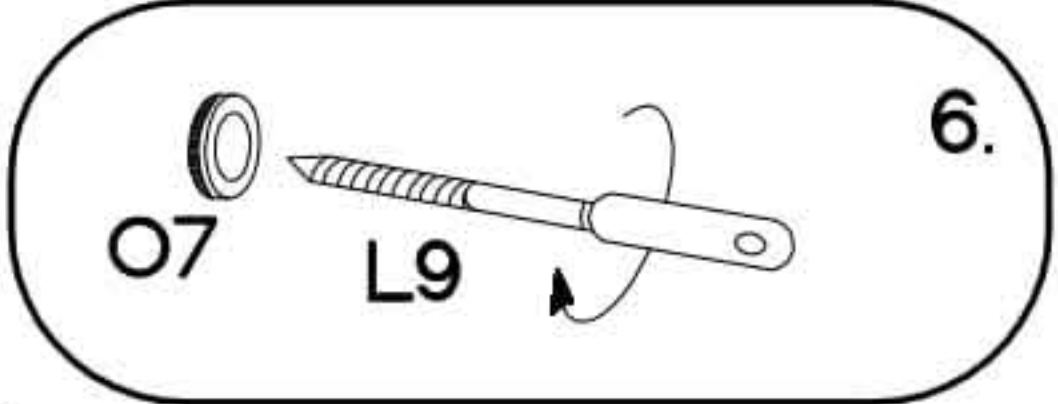
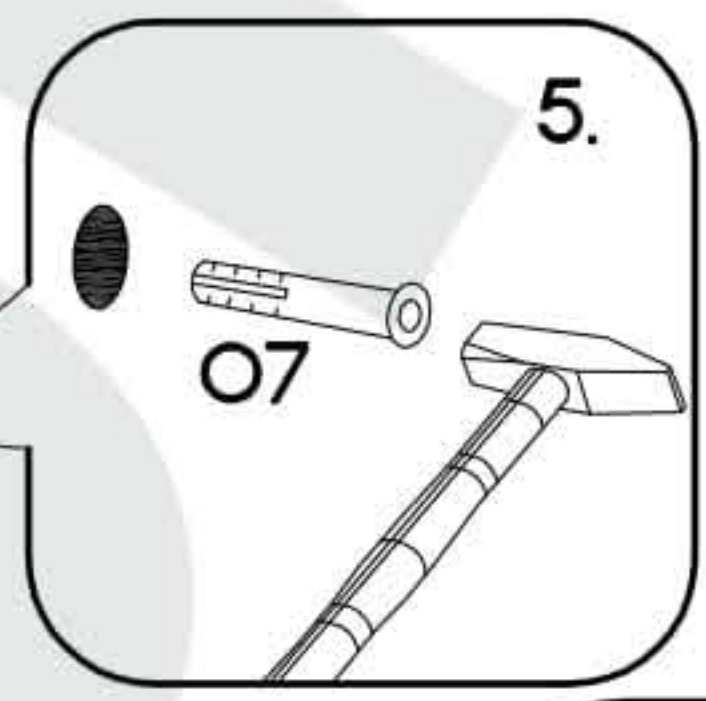
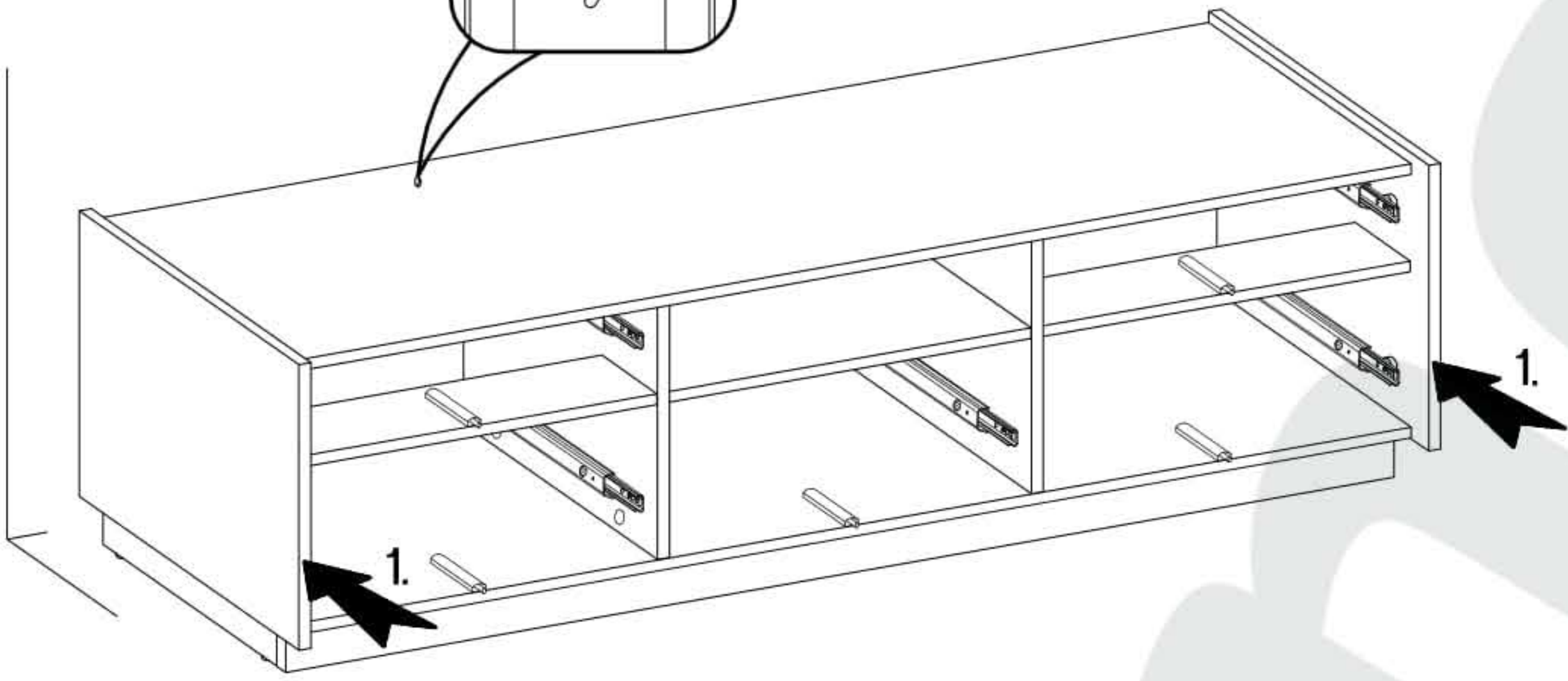
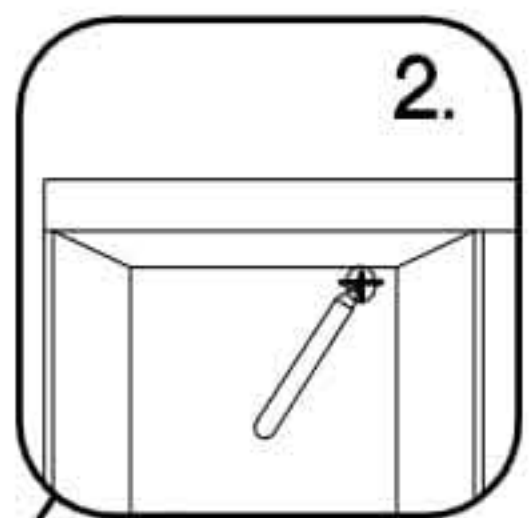
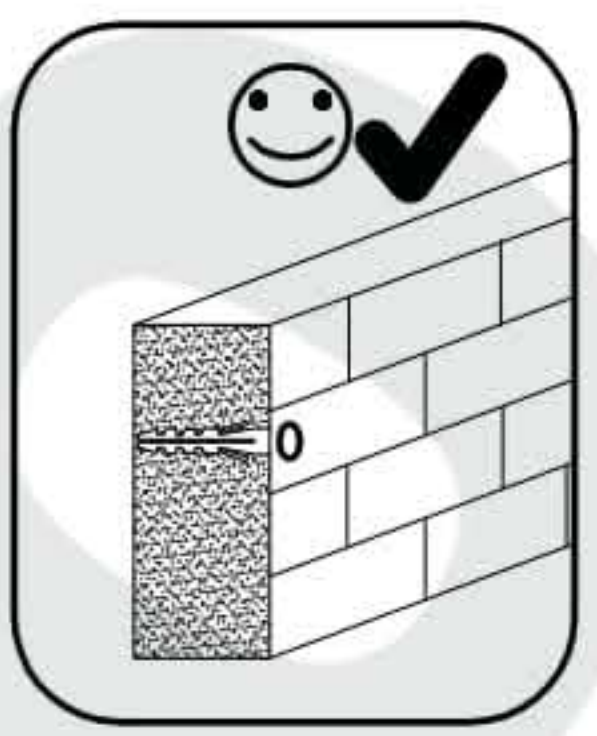
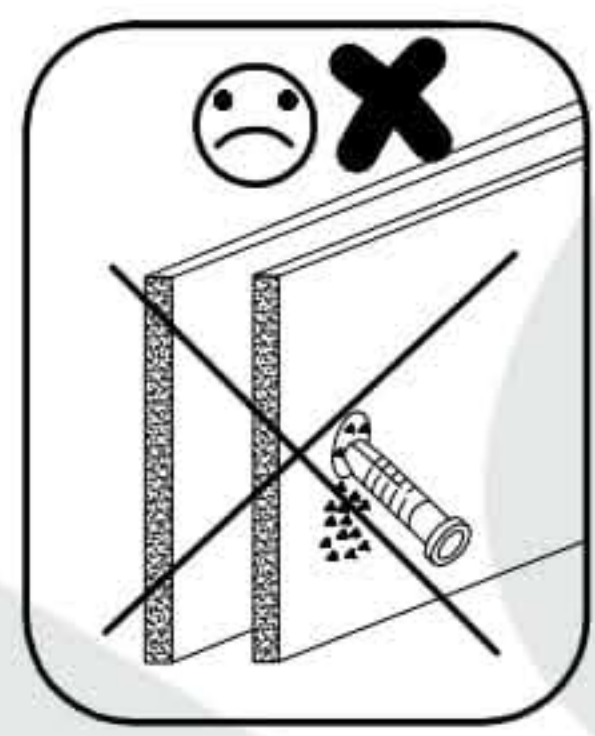
22



23



†10x50mm  O7 1	†3.5x13mm  L9 1	†3.5x13mm  P5 1
--	---	---



M4x9mm
U1
10

