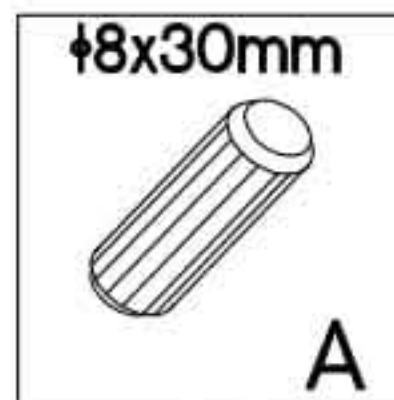
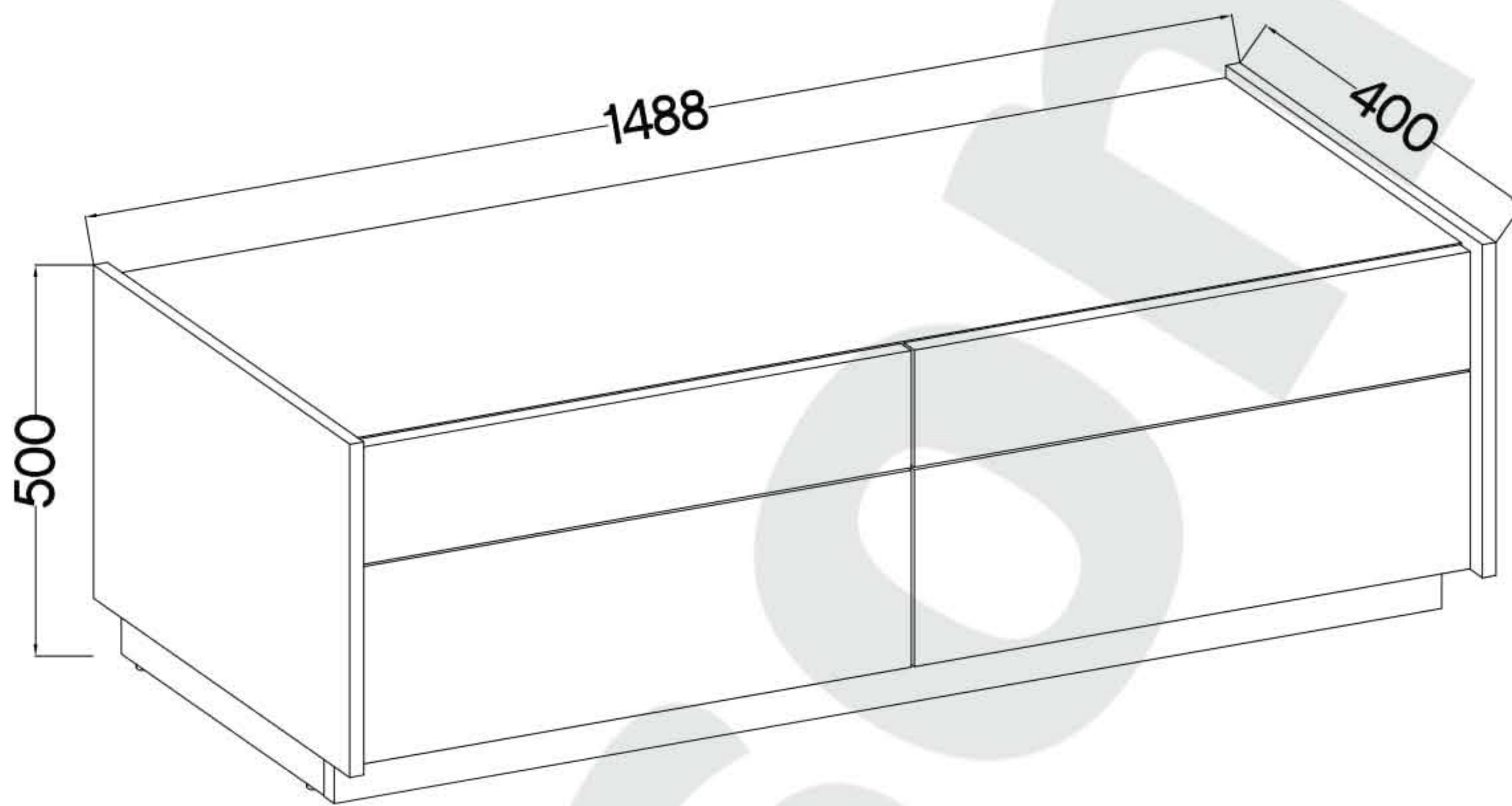


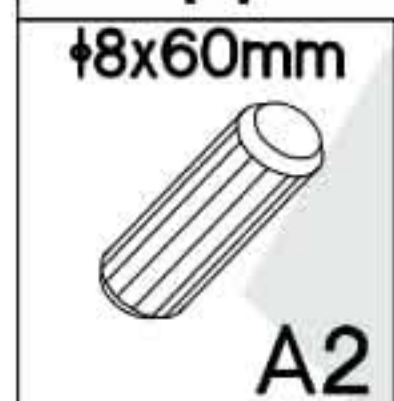
120 min

TYP 303



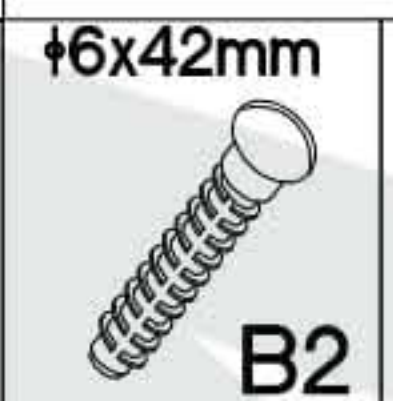
A

44



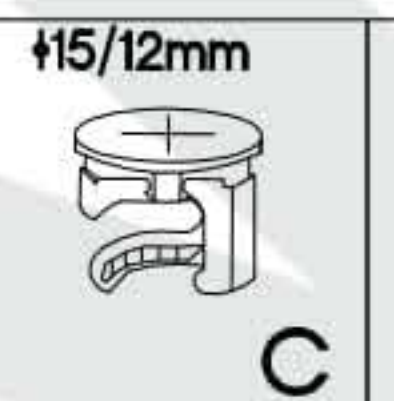
A2

1



B2

8



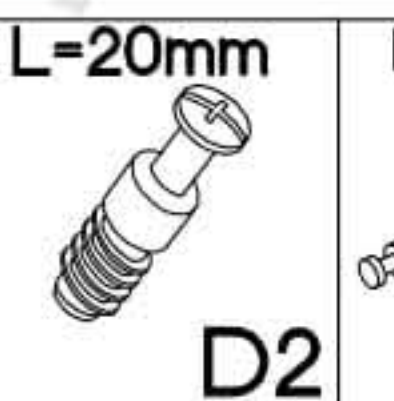
C

16



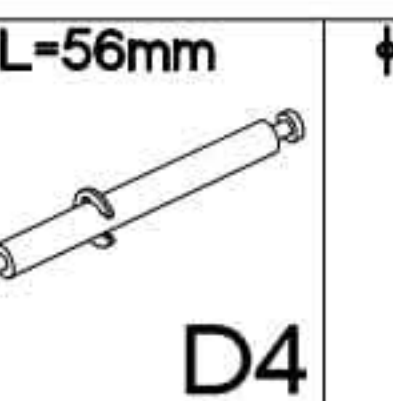
C5

8



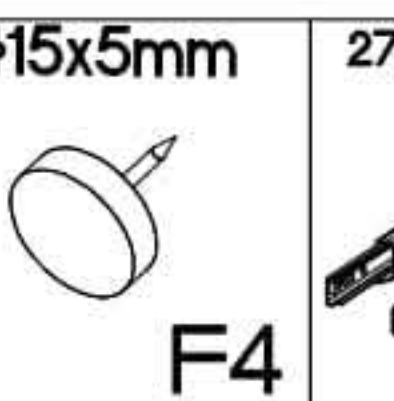
D2

22



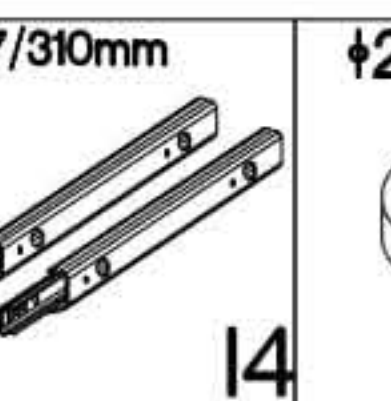
D4

1



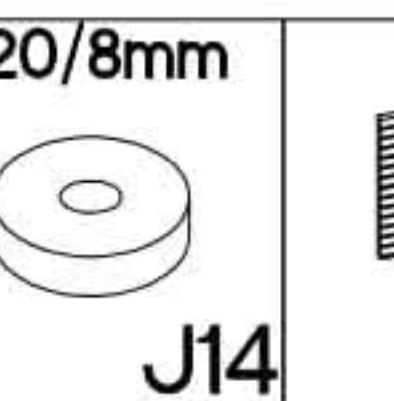
F4

6



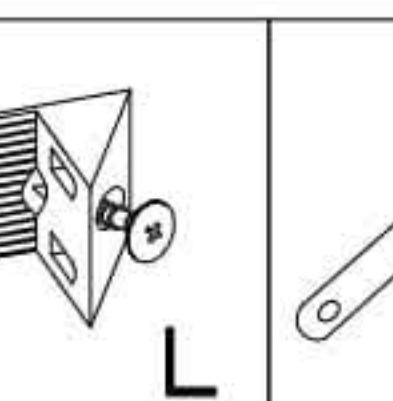
I4

4



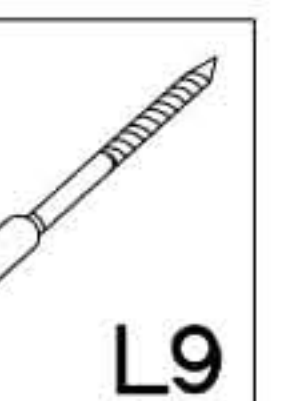
J14

8



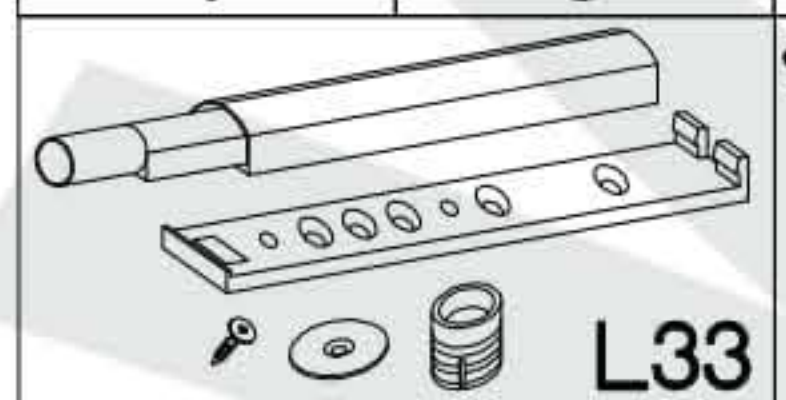
L

26



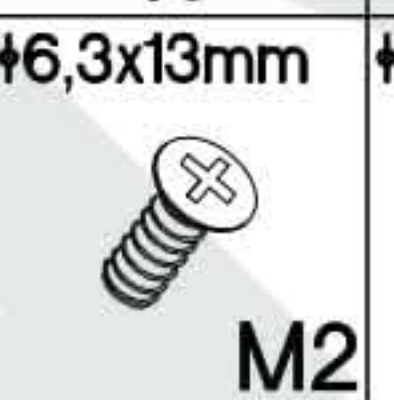
L9

1



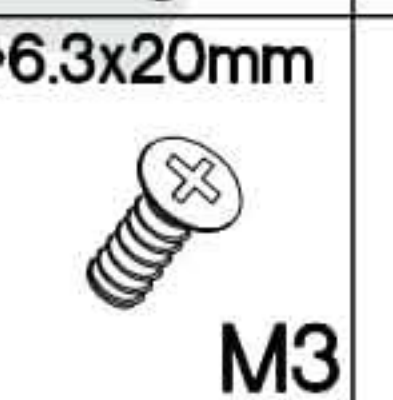
L33

4



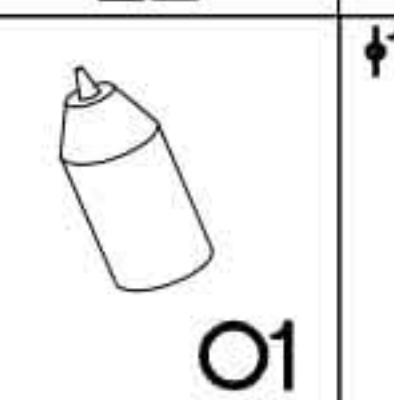
M2

8



M3

8



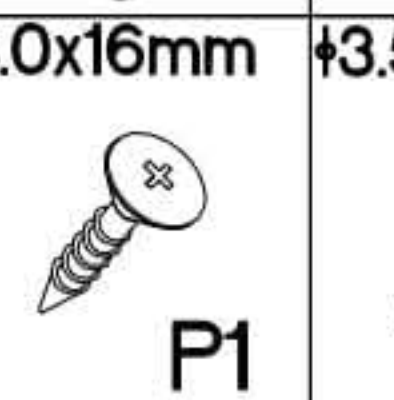
O1

1



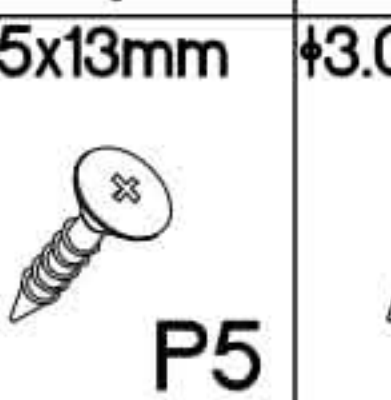
O7

1



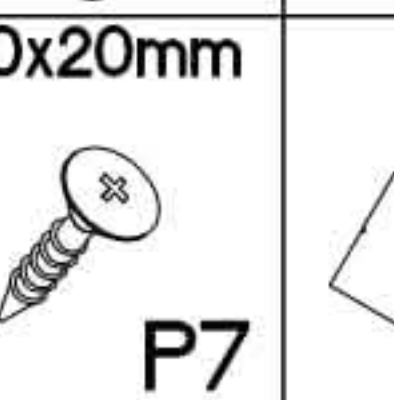
P1

10



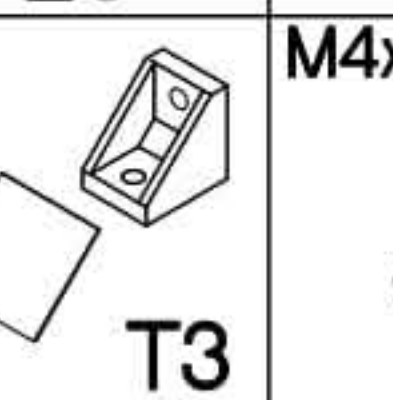
P5

9



P7

18



T3

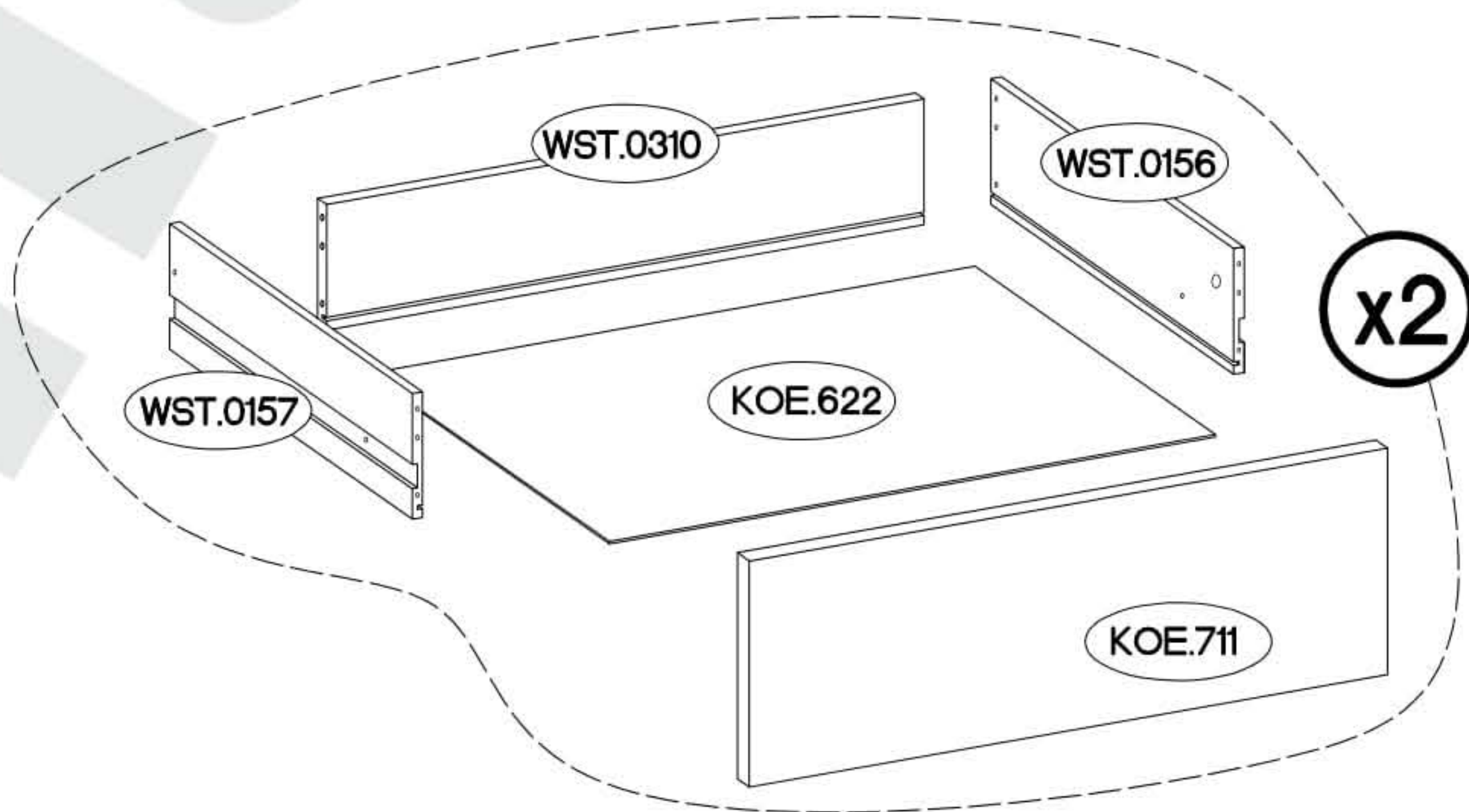
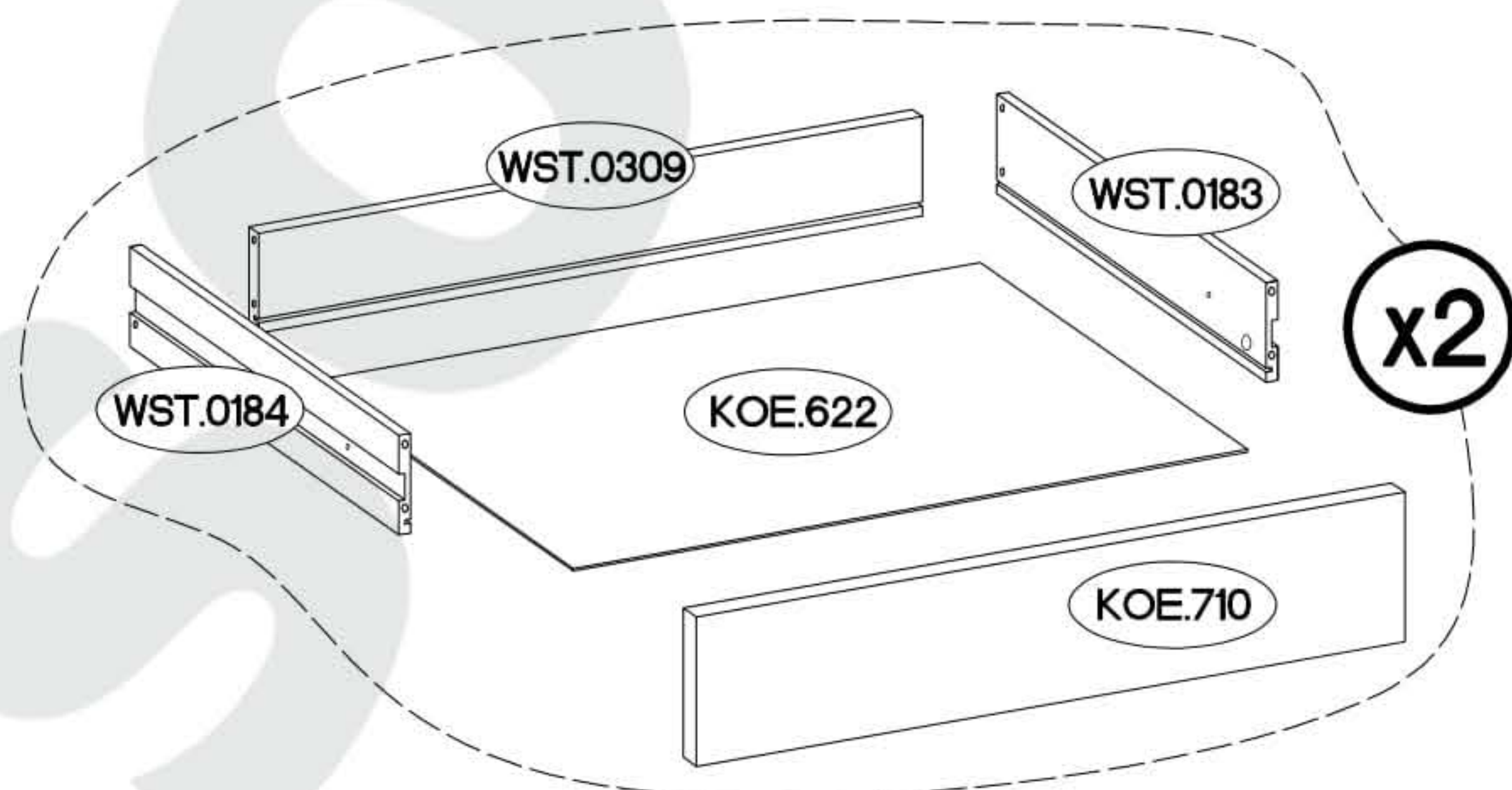
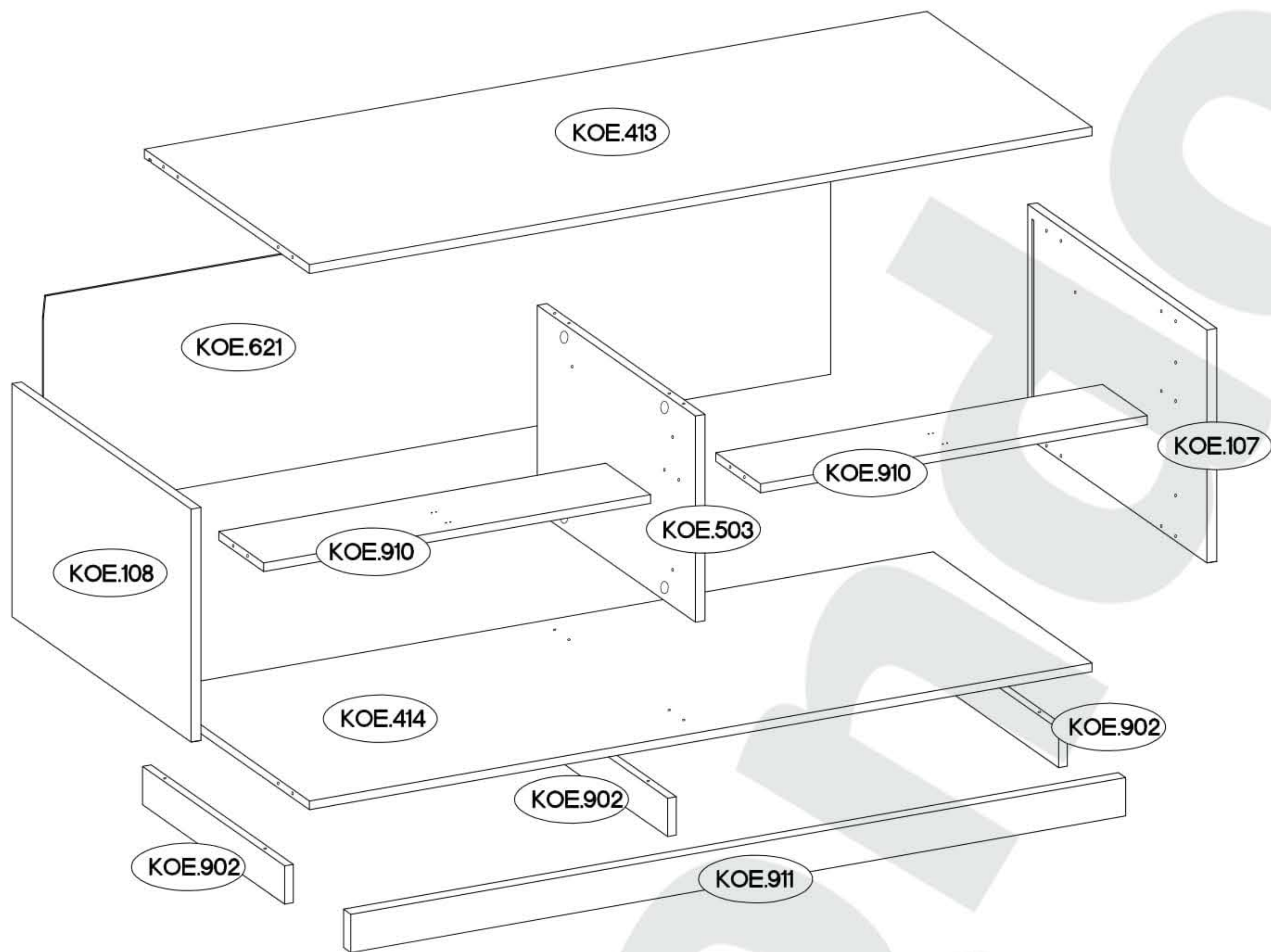
5



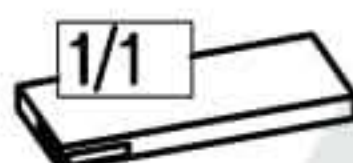
U1

8

ISM-KOE-008



	Ersatzteil Nummer	Dimension
	KOE.107	426x400x18
	KOE.108	426x400x18
	KOE.503	377x353x16
	KOE.413	1452x368x16
	KOE.414	1452x354x16
	KOE.910 x2	718x100x16
	KOE.911	1438x70x16
	KOE.902 x3	317x70x16
	KOE.621	1461x396x2,5
	KOE.622 x4	687x327x2,5
	WST.0183 x2	330x100x12
	WST.0184 x2	330x100x12
	WST.0309 x2	676x100x12
	WST.0156 x2	330x140x12
	WST.0157 x2	330x140x12
	WST.0310 x2	676x140x12
	KOE.710 x2	722x150x16
	KOE.711 x2	722x252x16


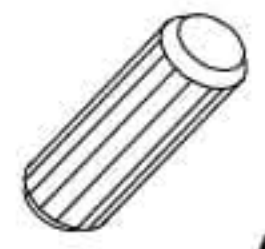


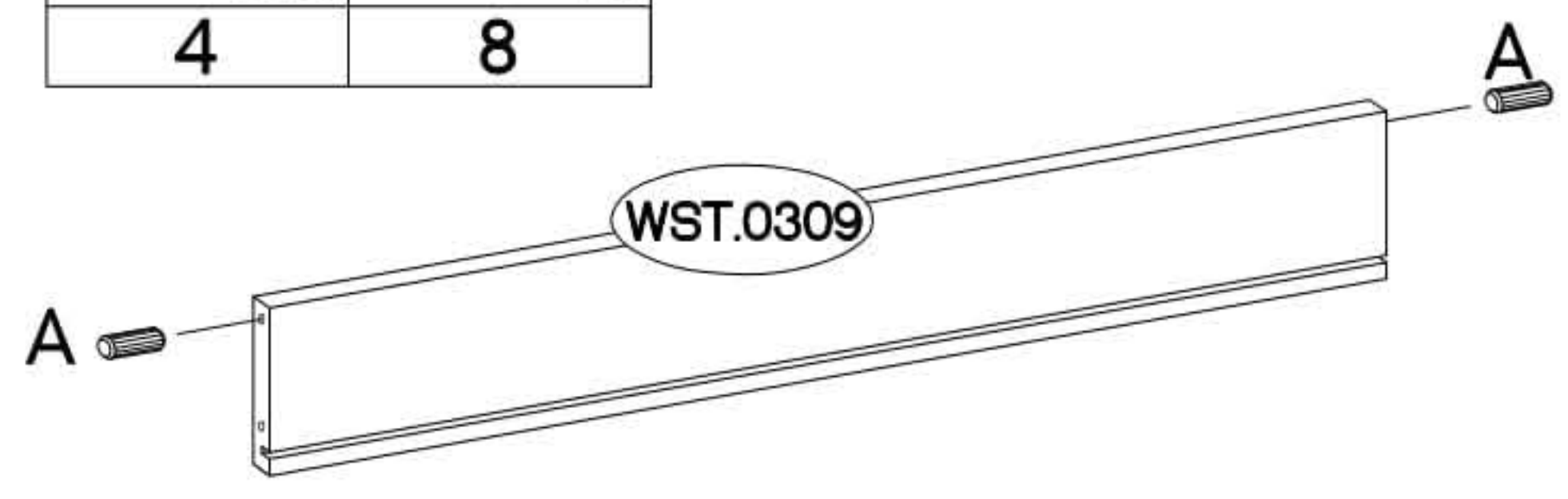
KOE.413



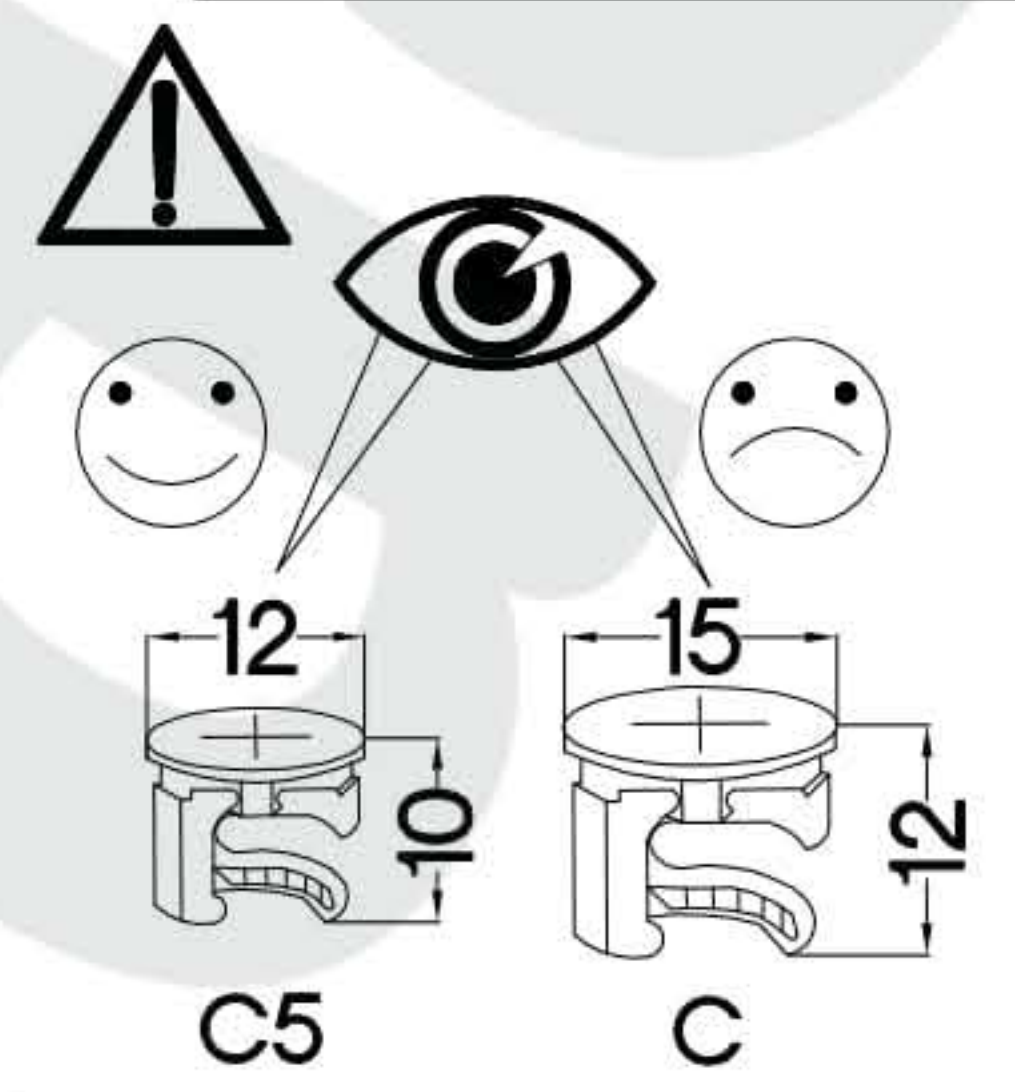
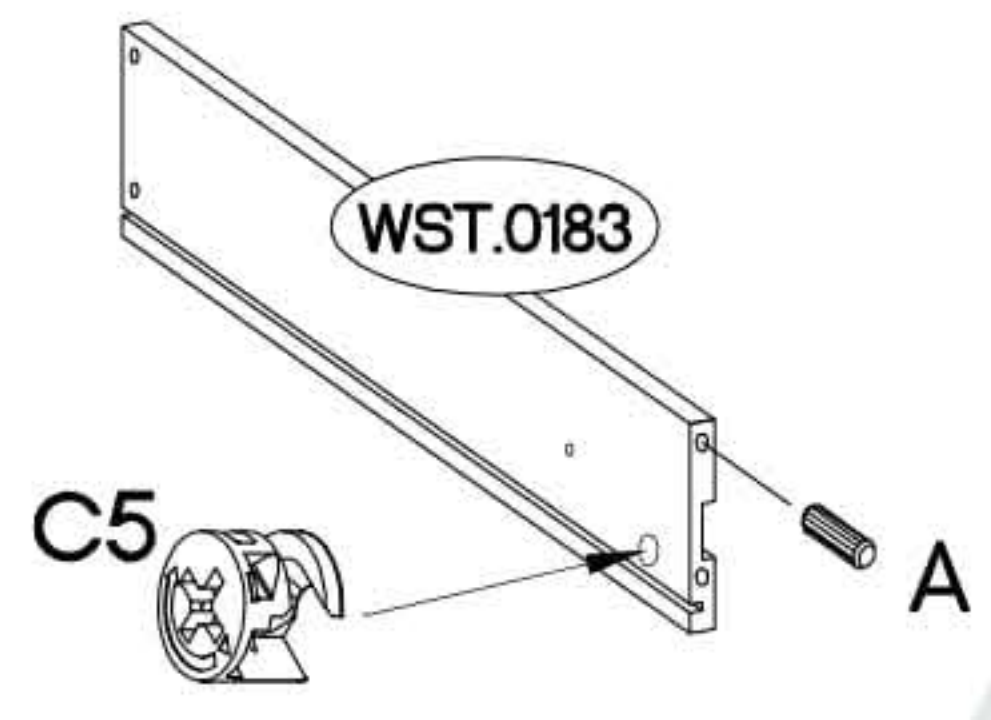
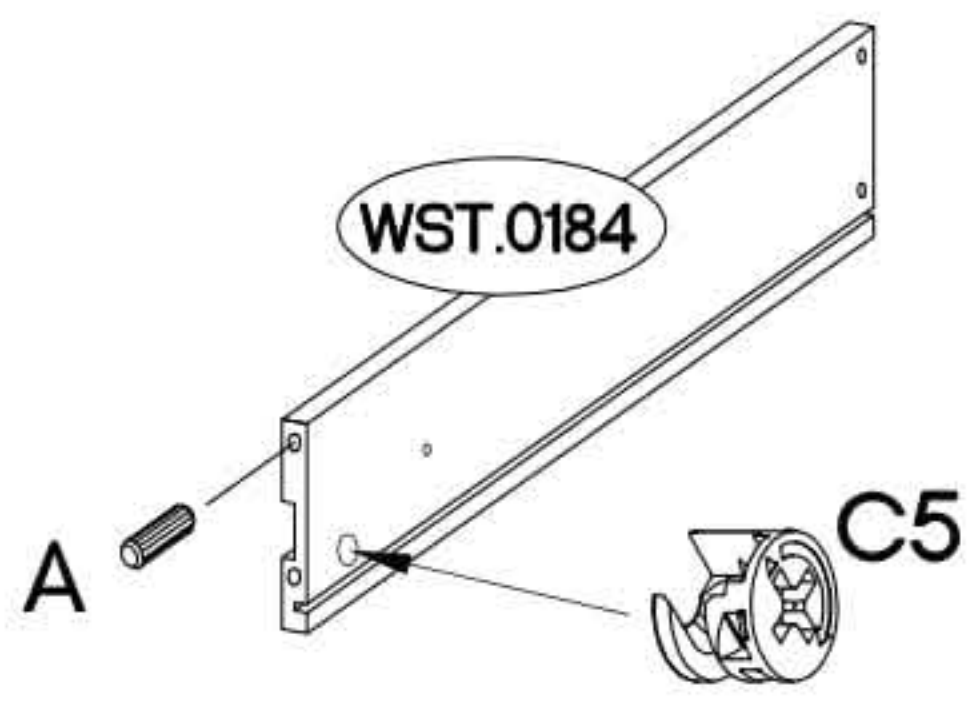
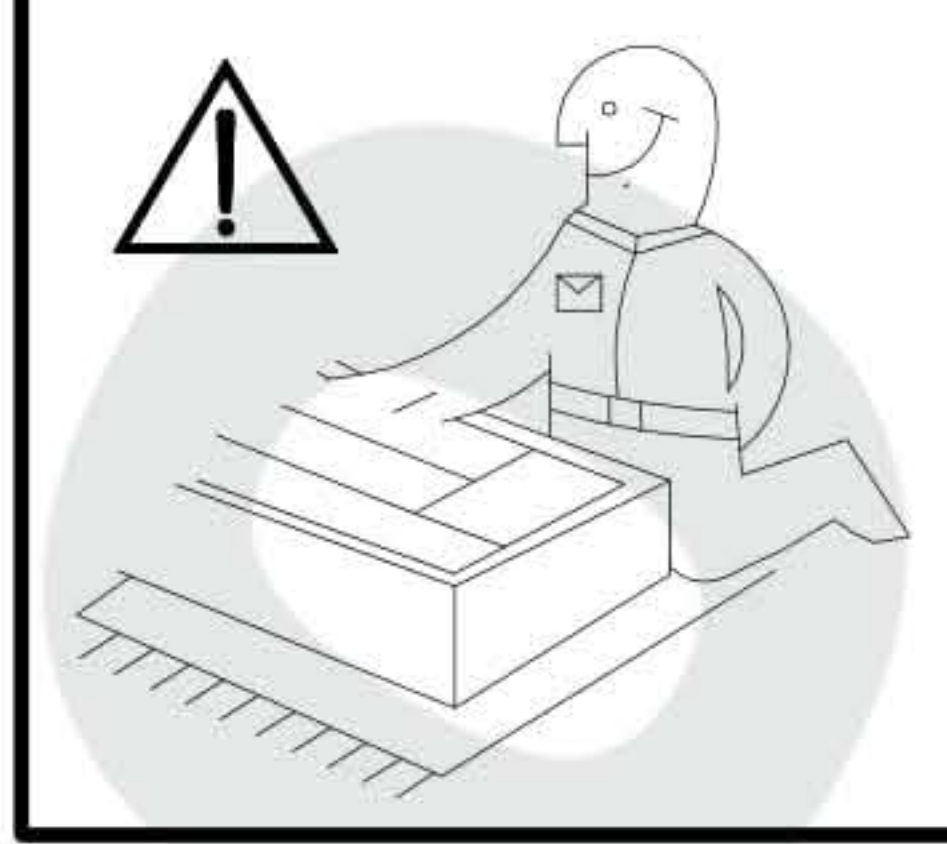
KOE.622

1

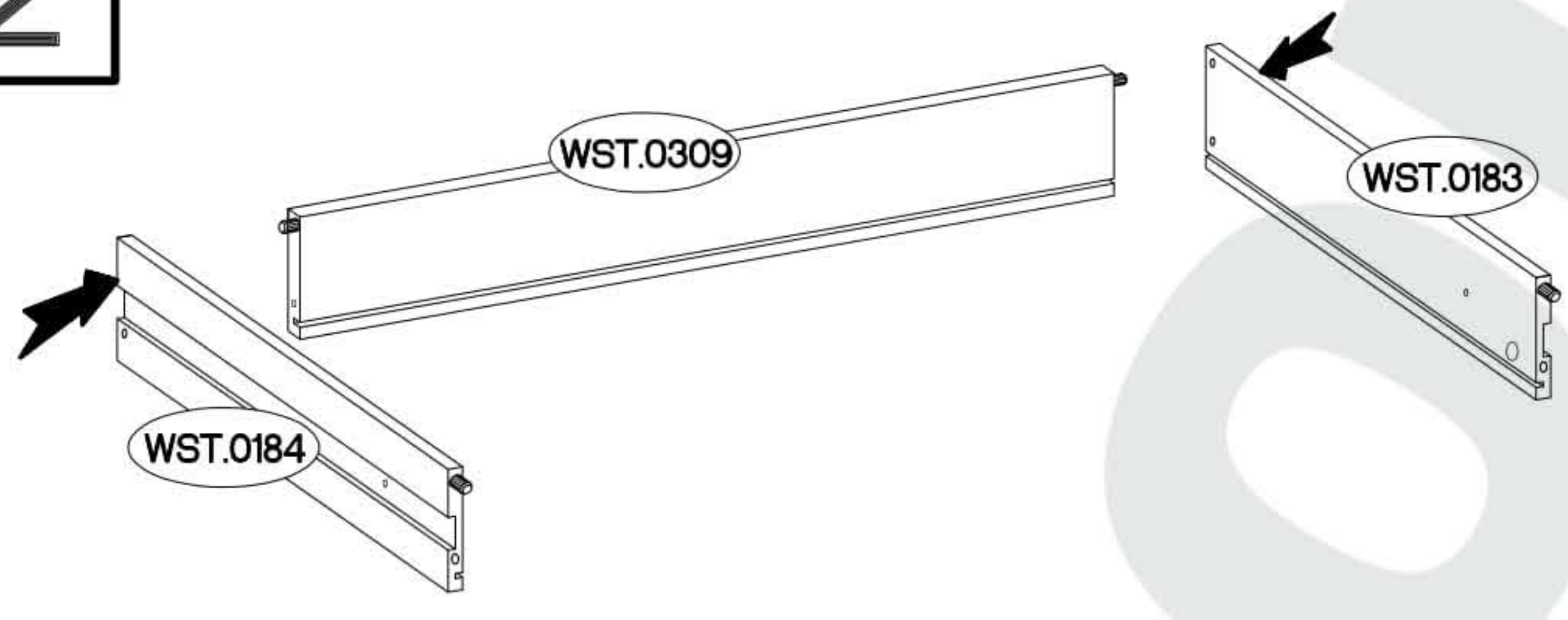
†12/10mm  <b>C5</b> 4	†8x30mm  <b>A</b> 8
--	--



x2

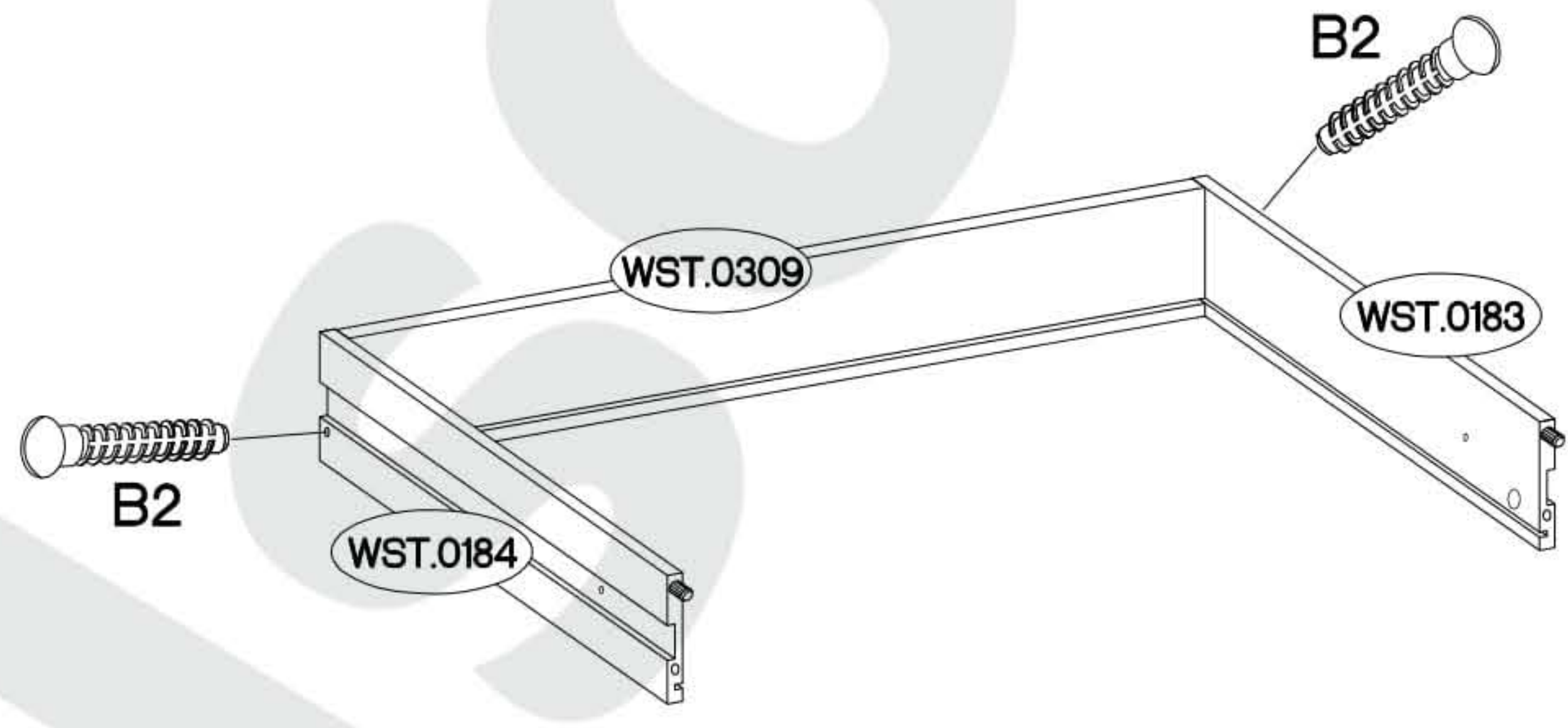
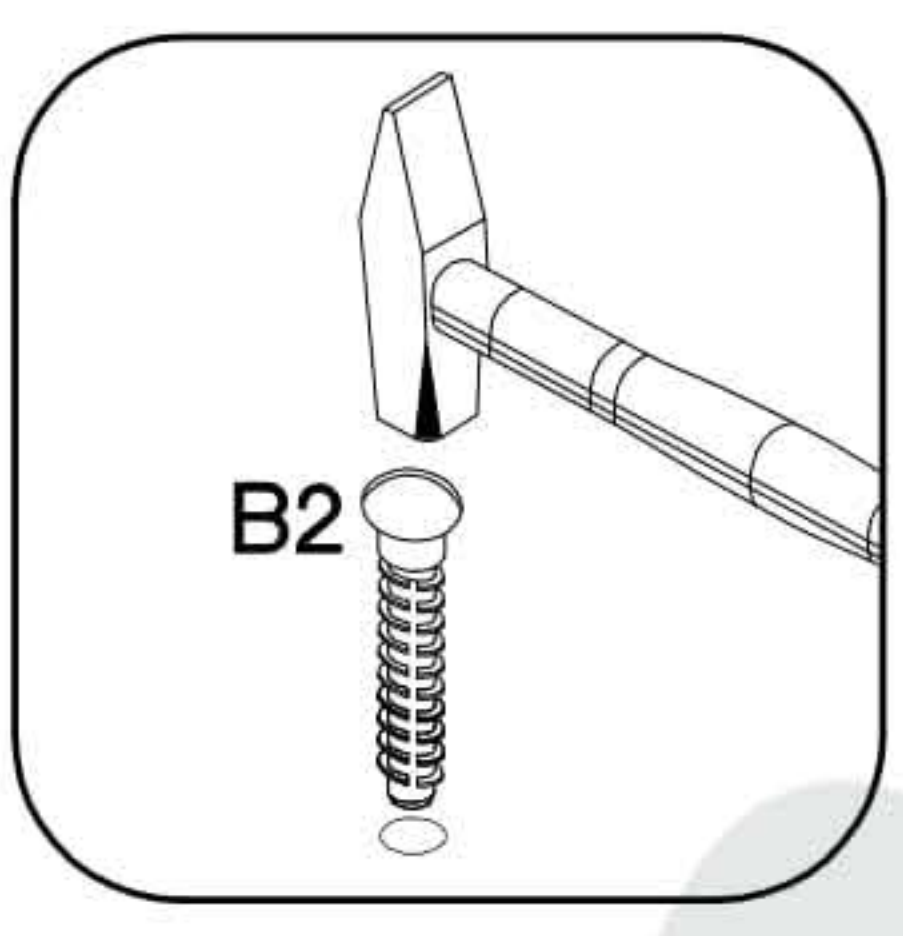


2





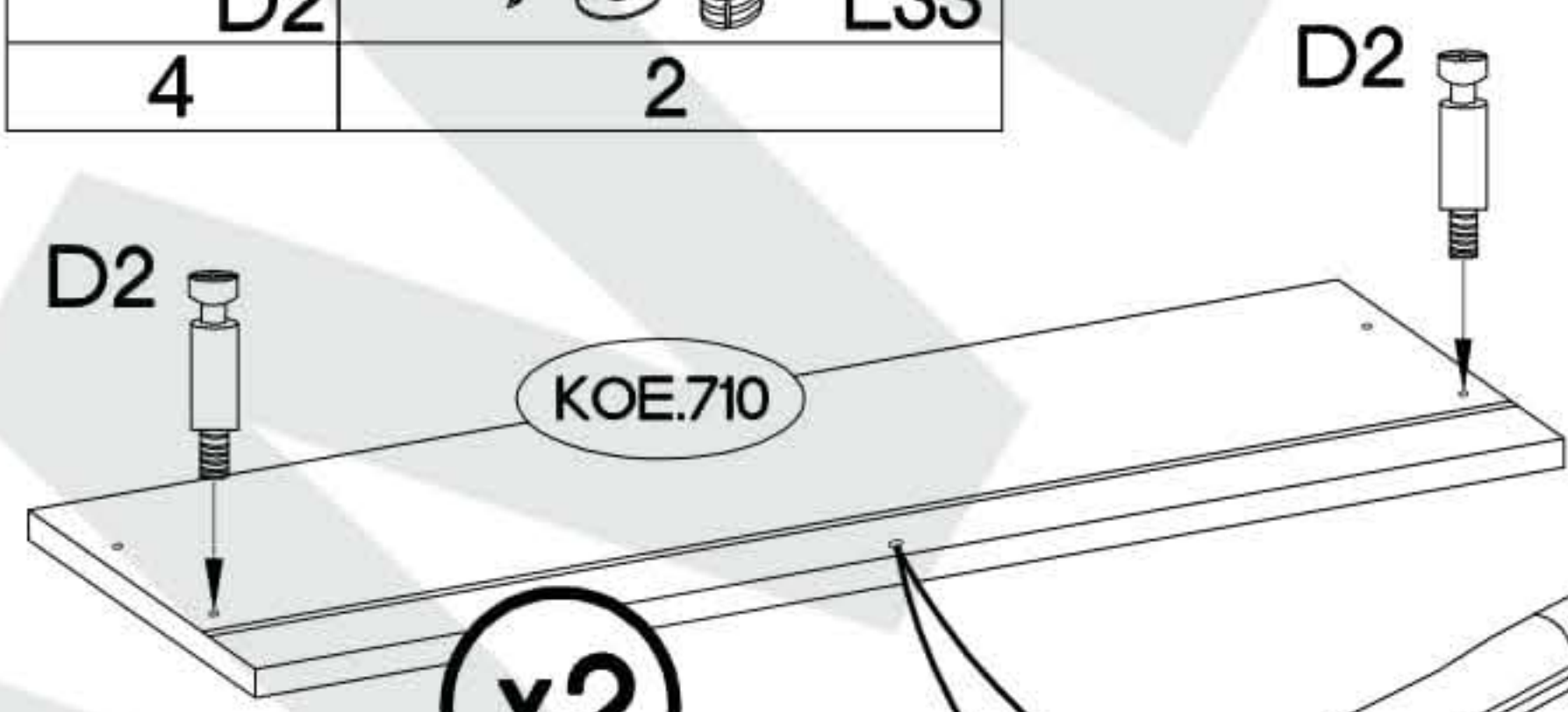
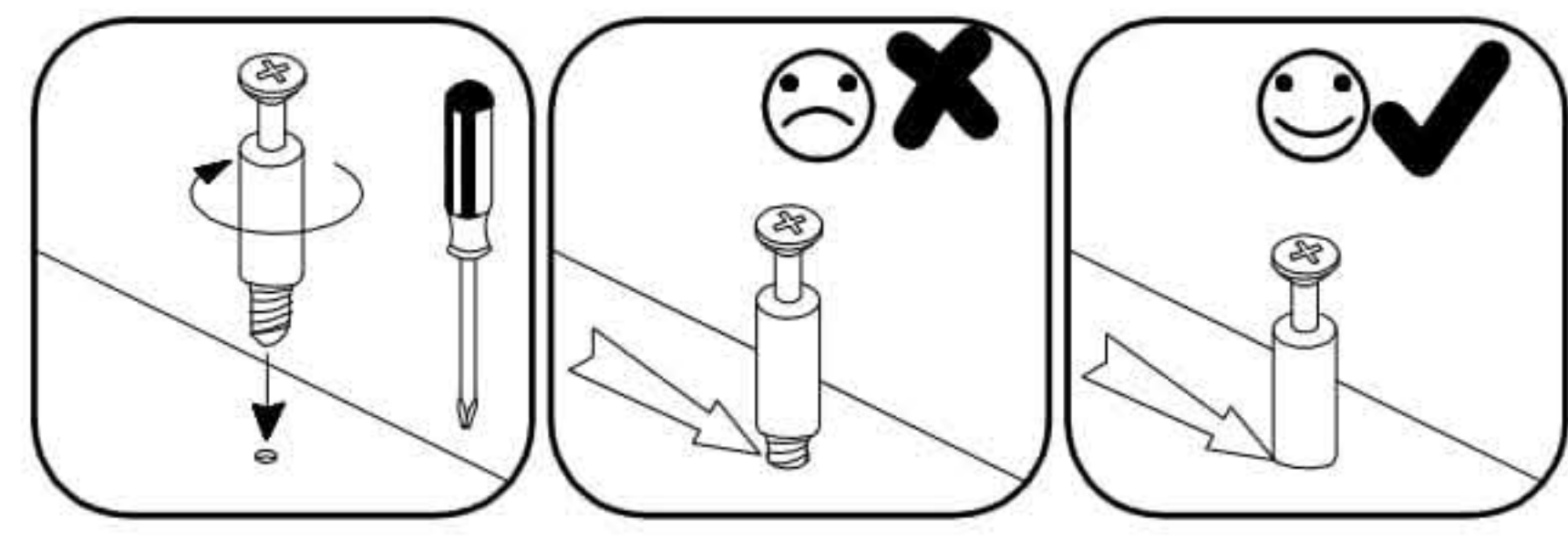
x2

†6x42mm  <b>B2</b> 4
--

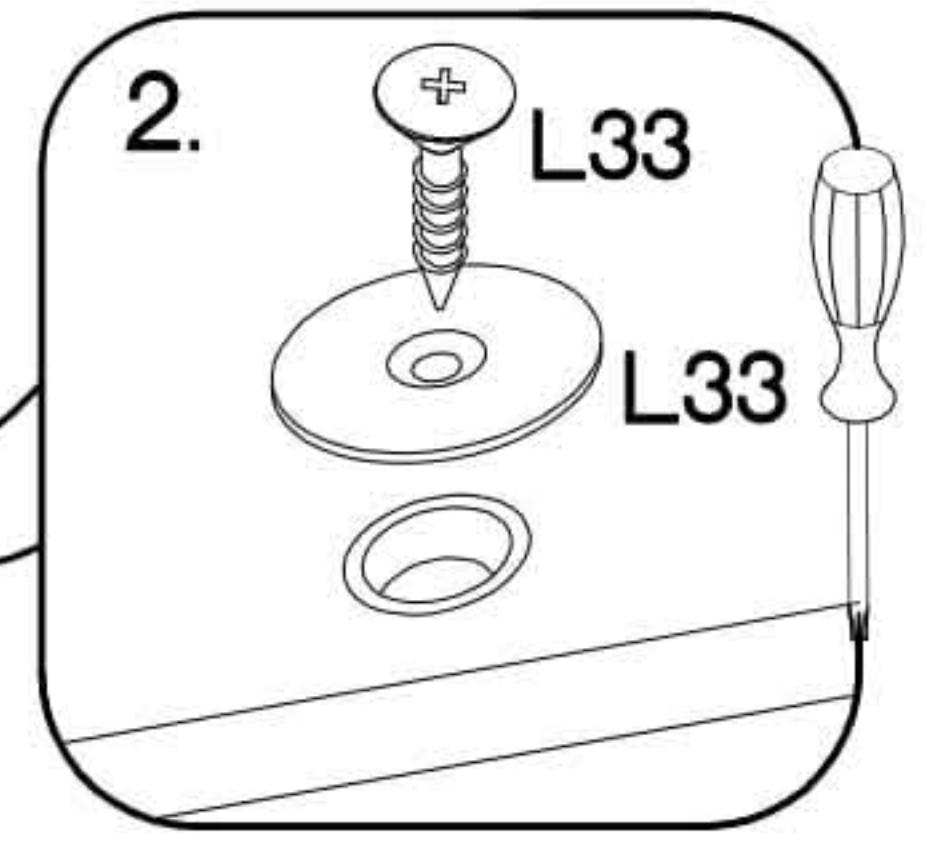
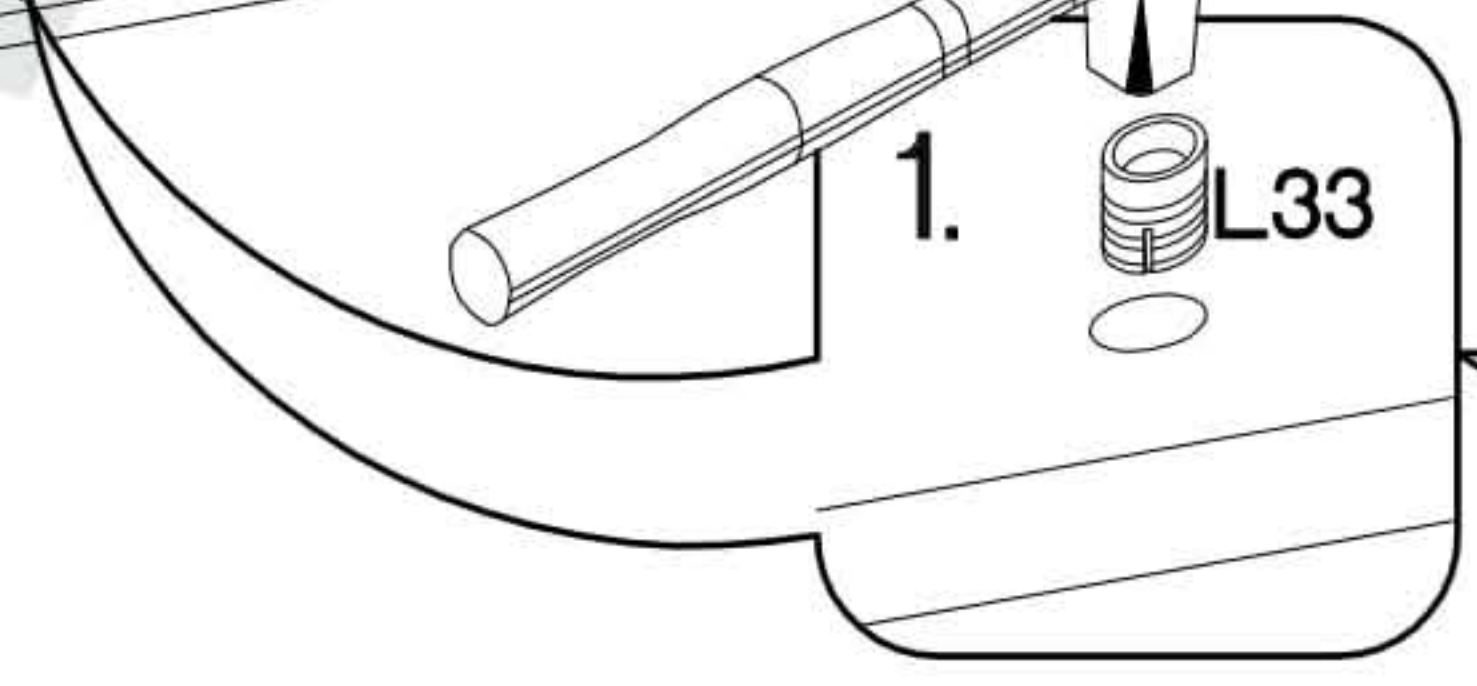


3

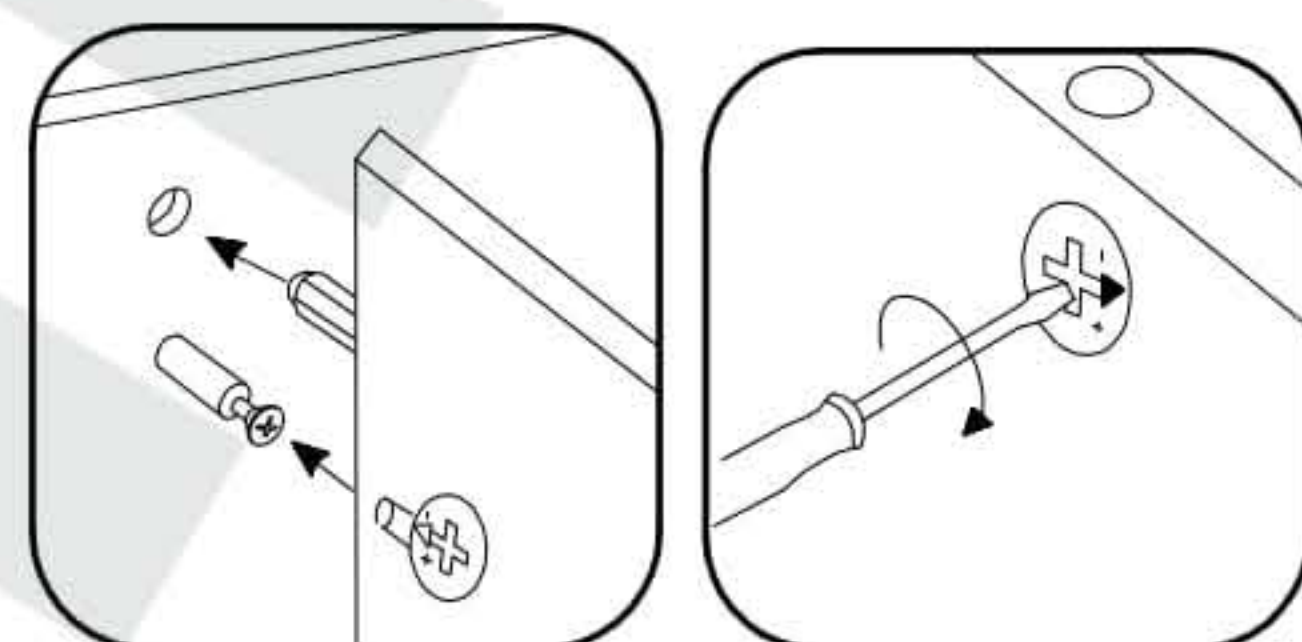
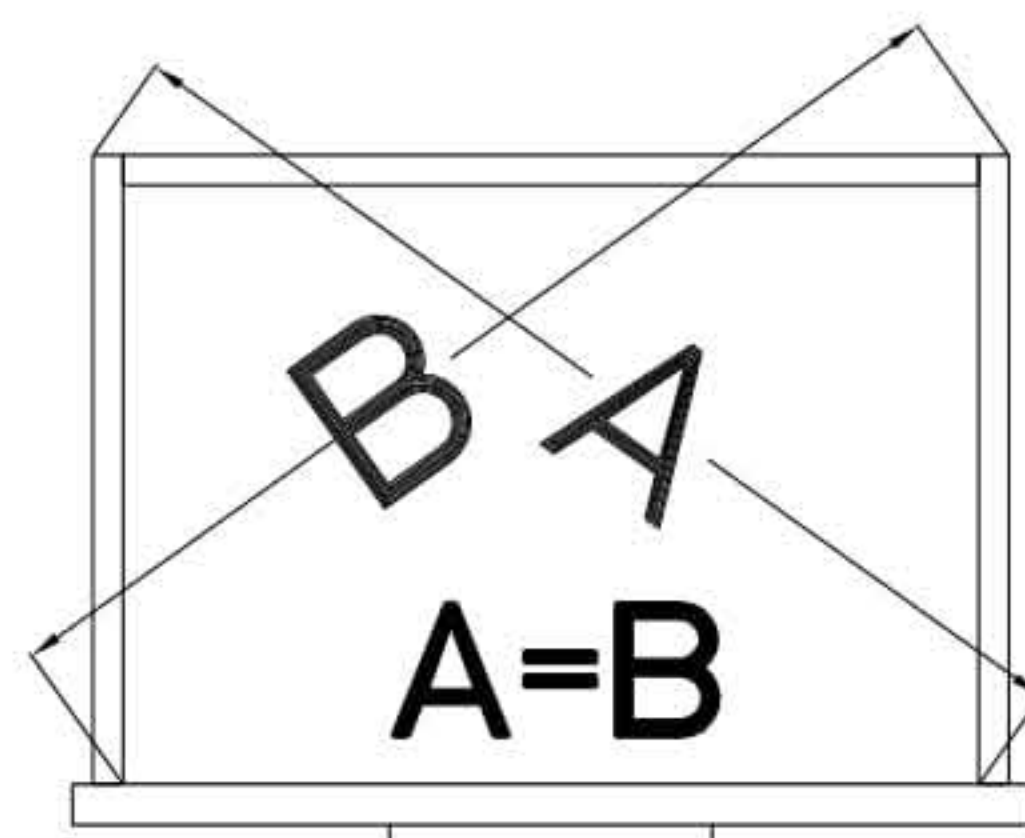
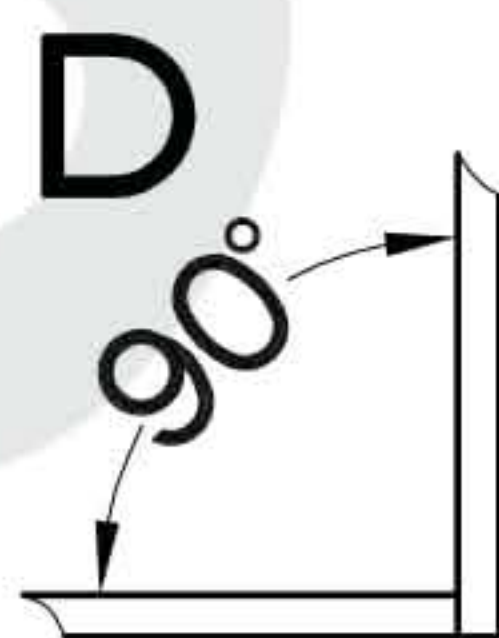
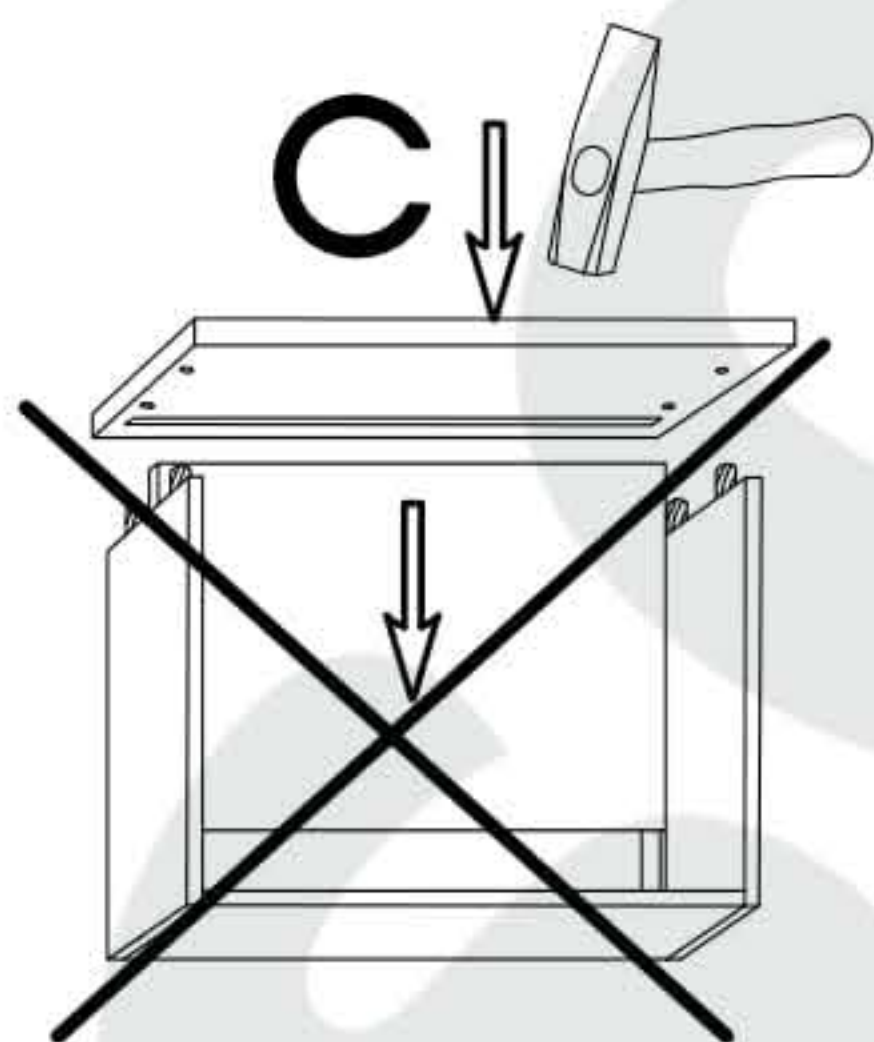
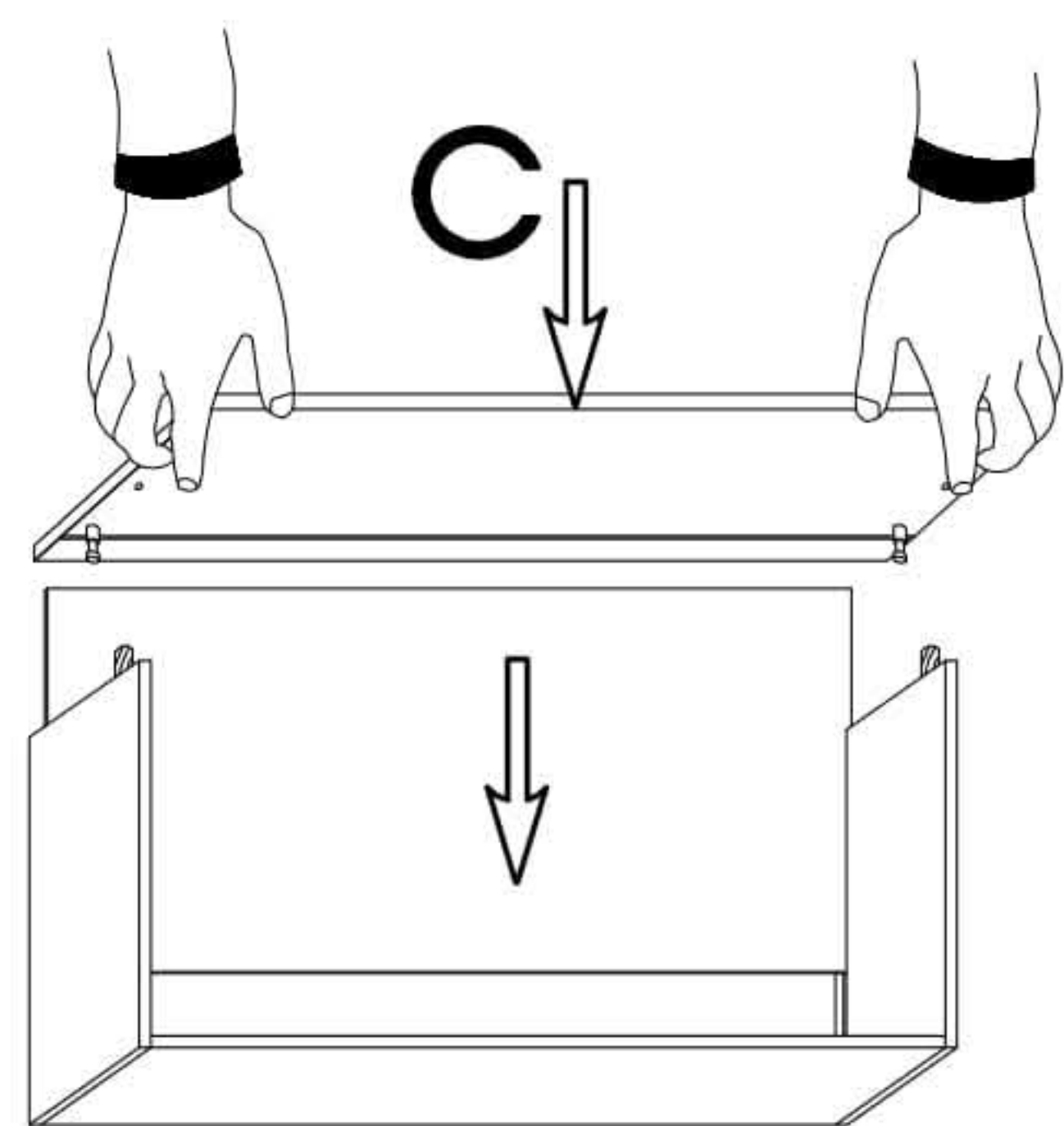
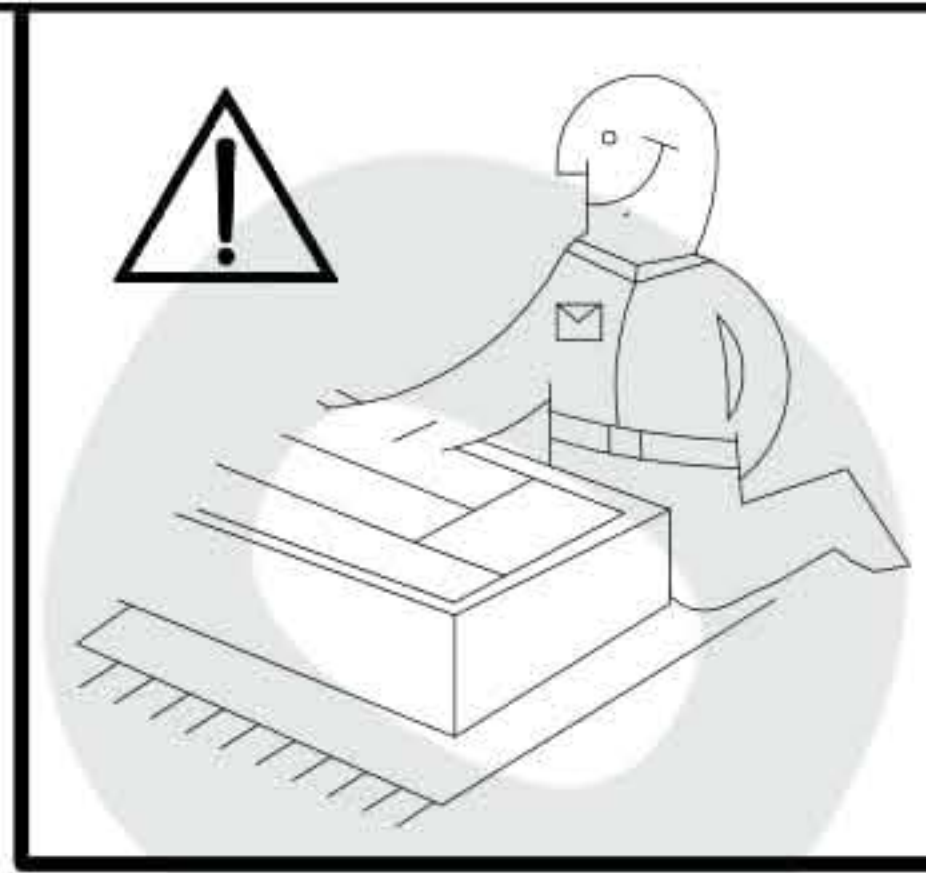
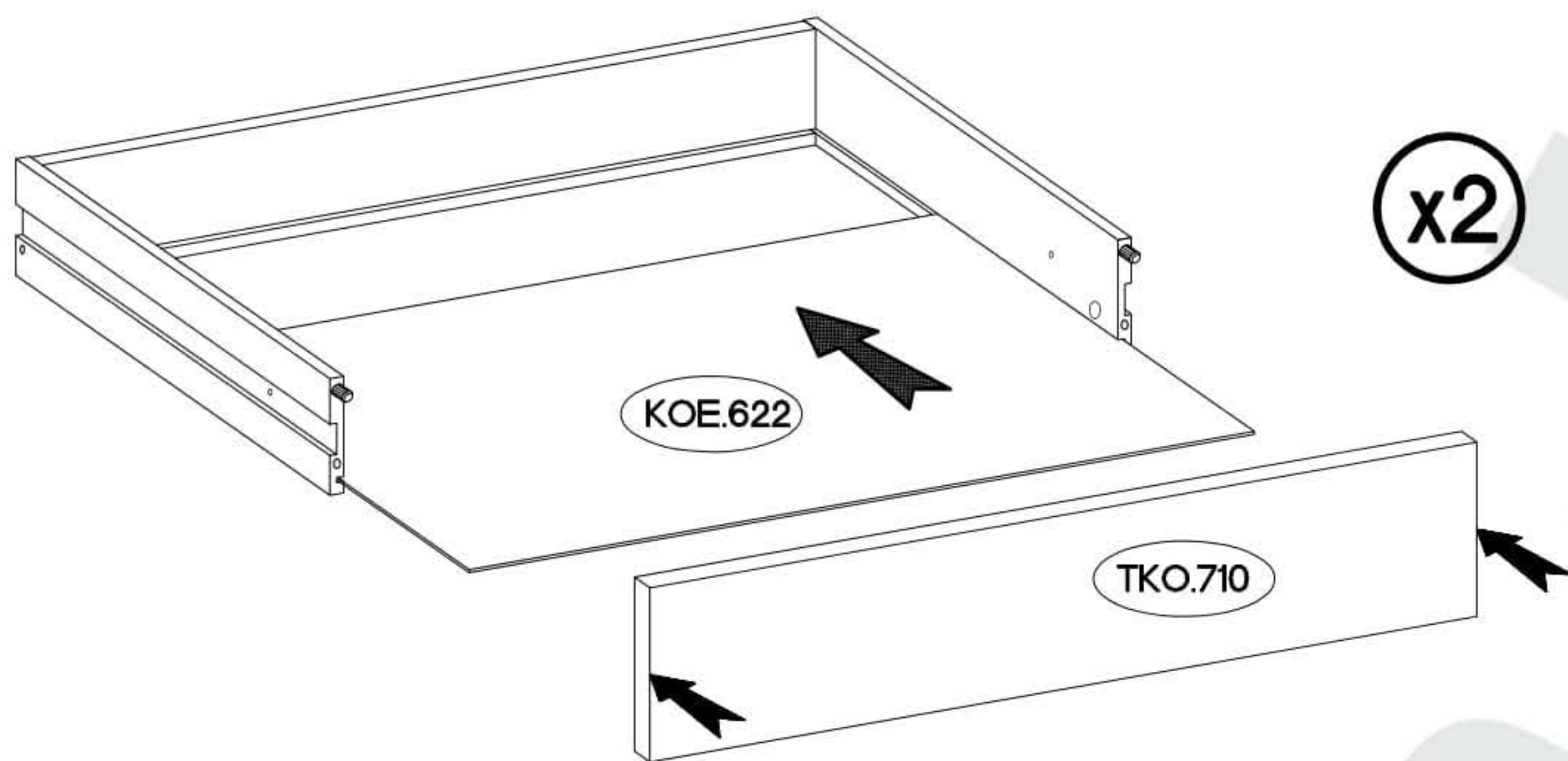
L=20mm  <b>D2</b> 4	 <b>L33</b> 2
---	--



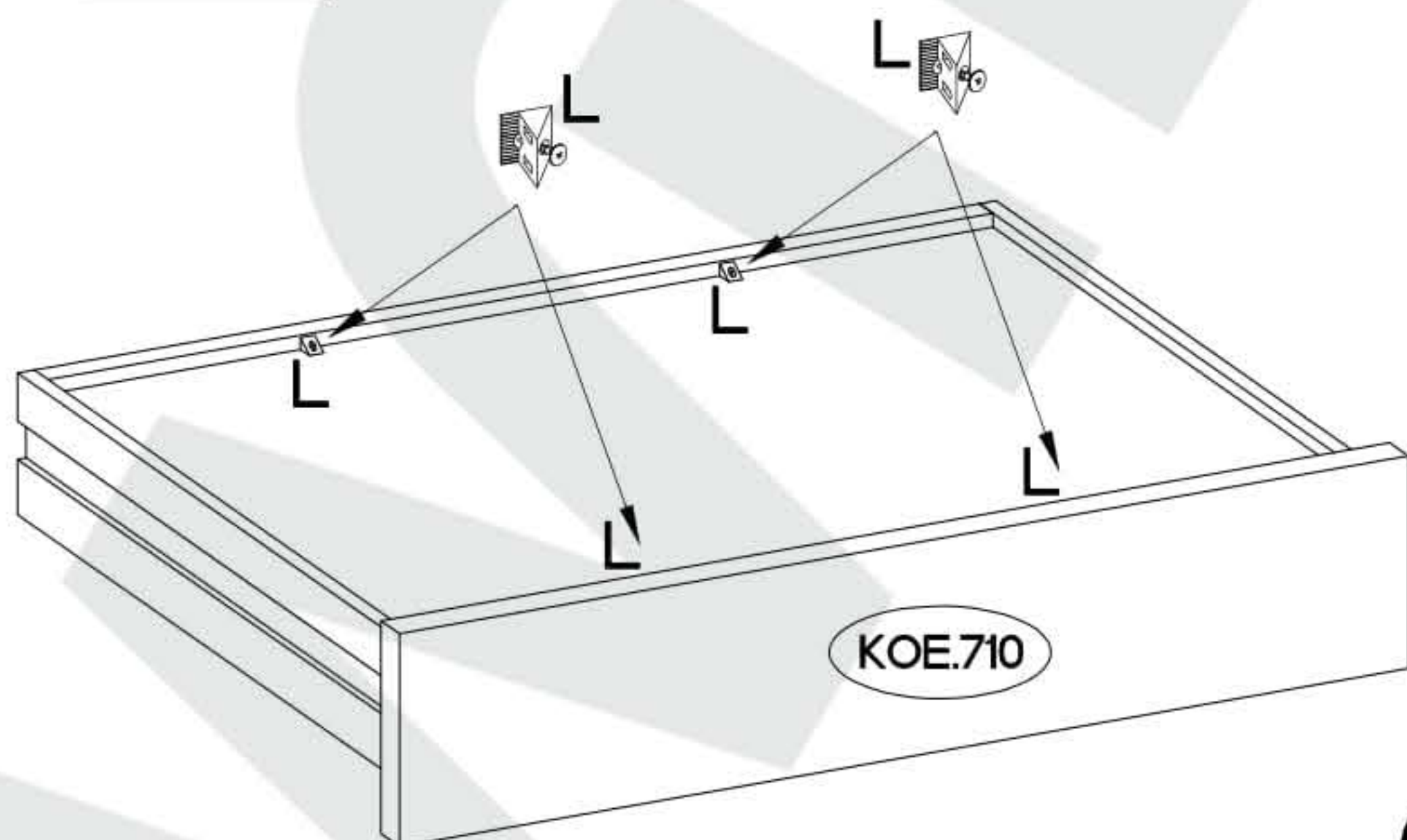
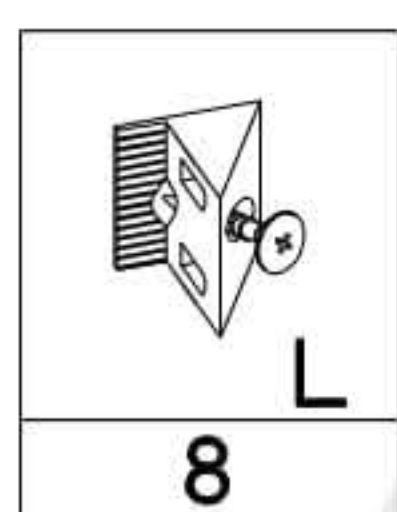
x2



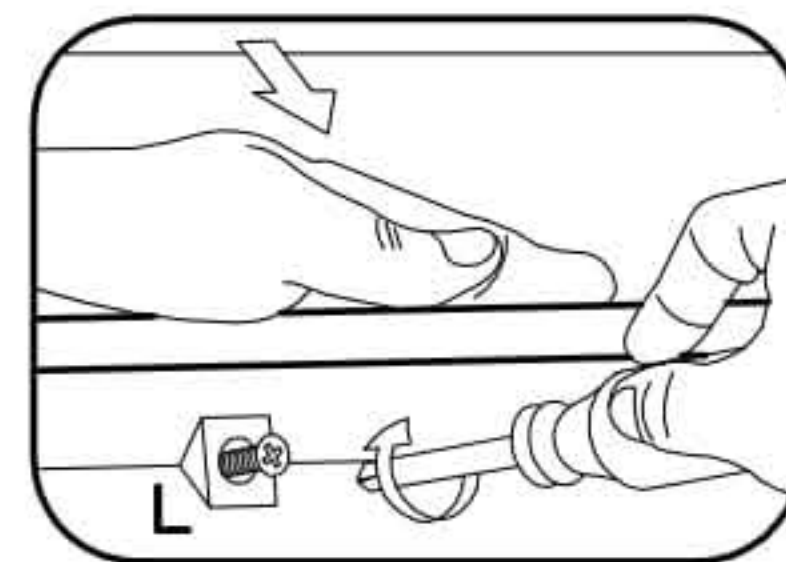
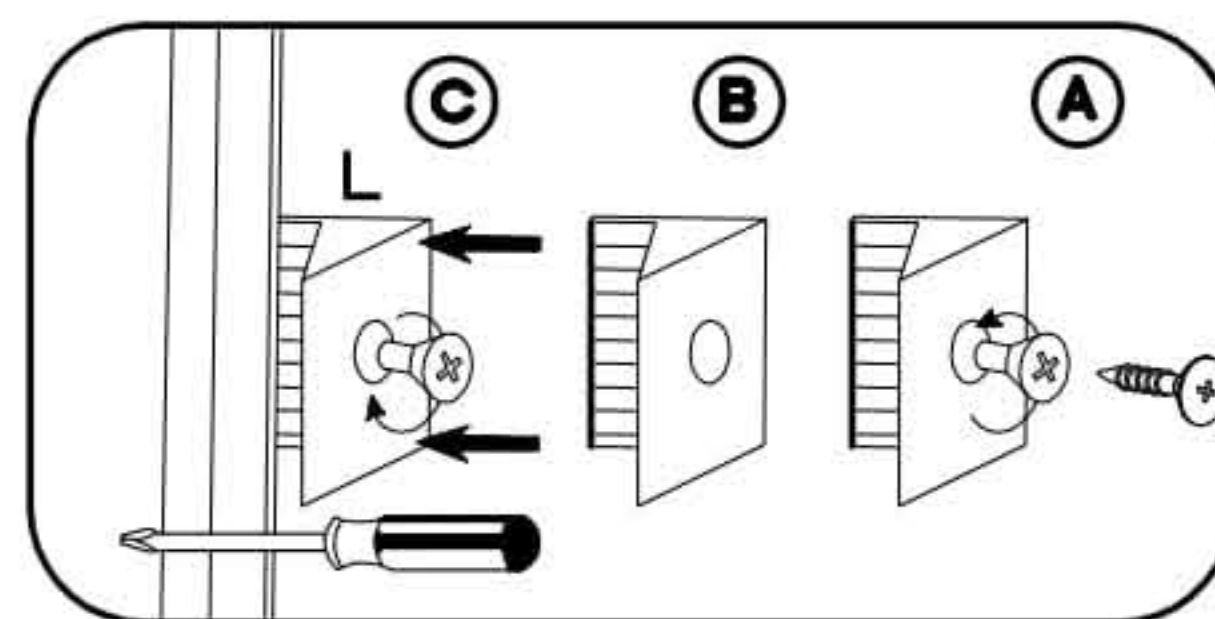
4




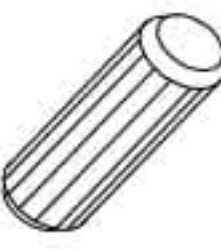
5

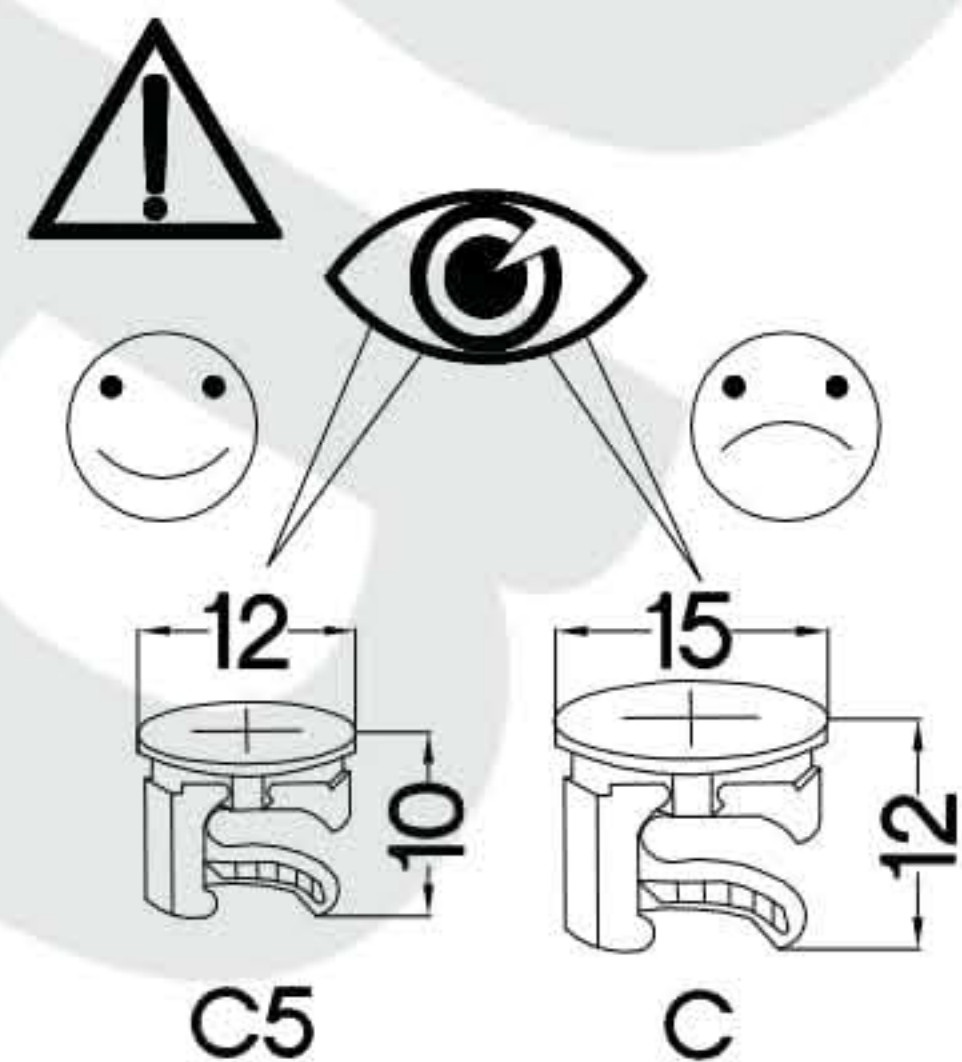
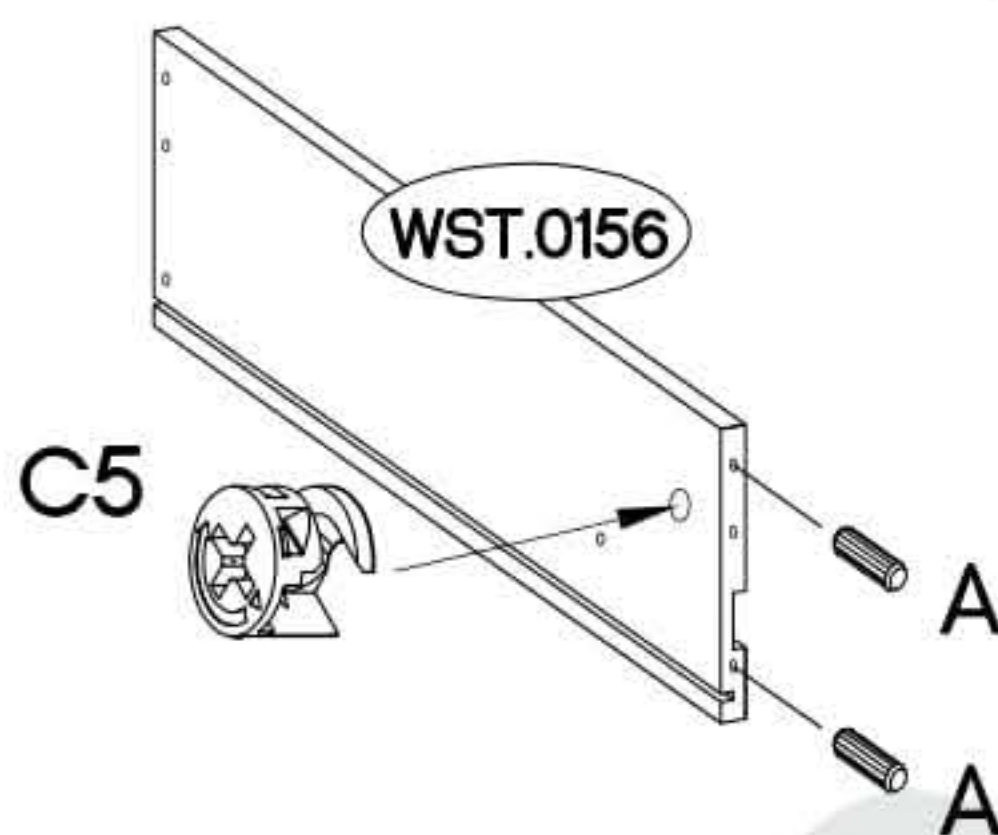
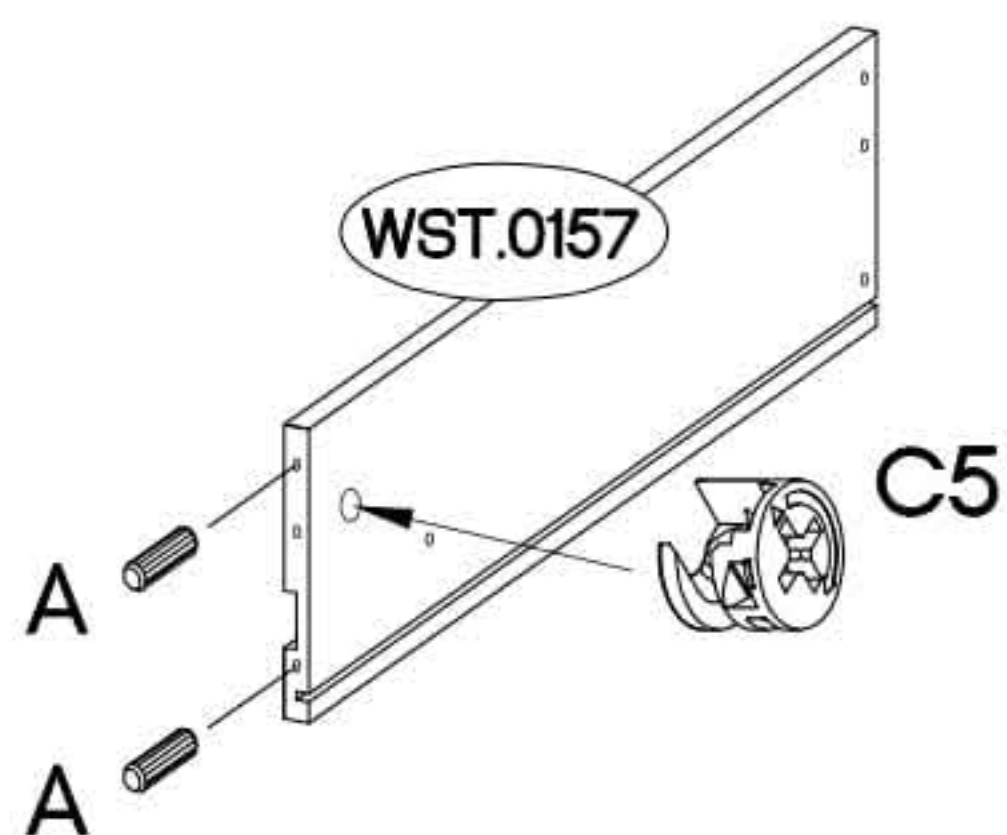
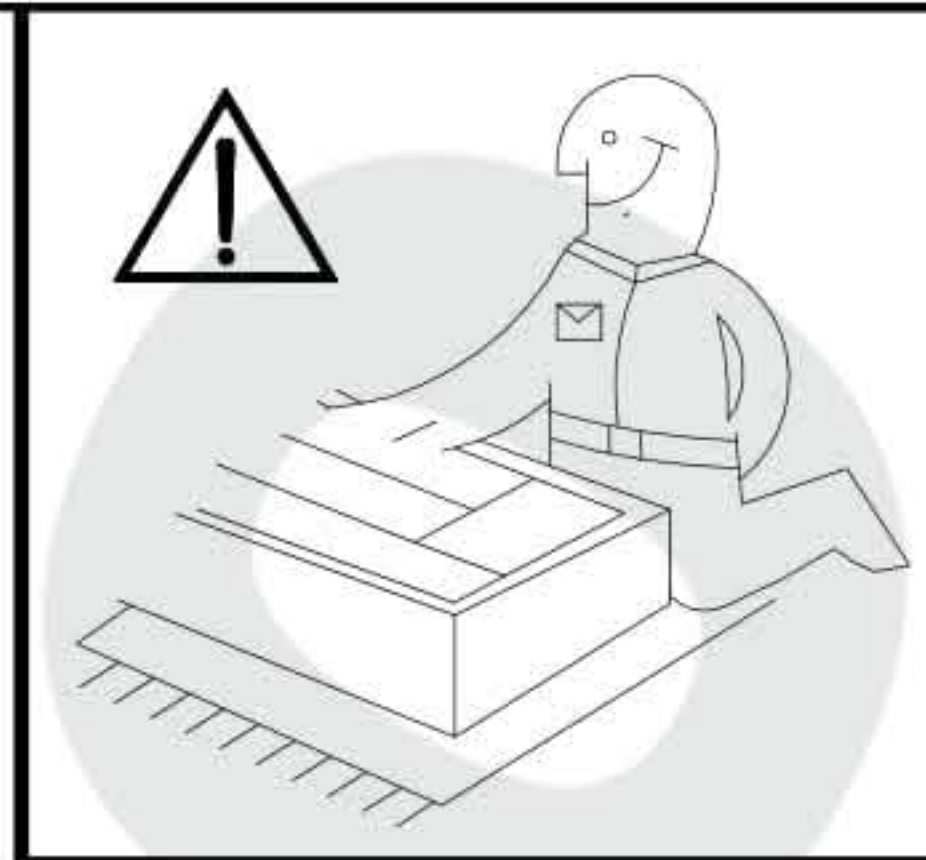
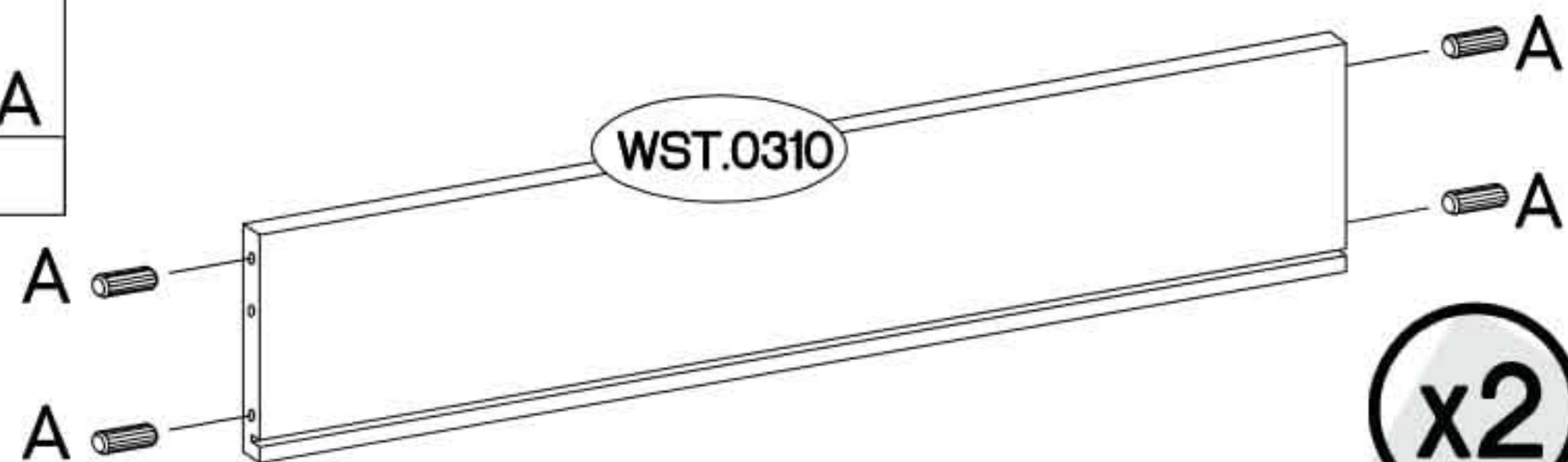


x2

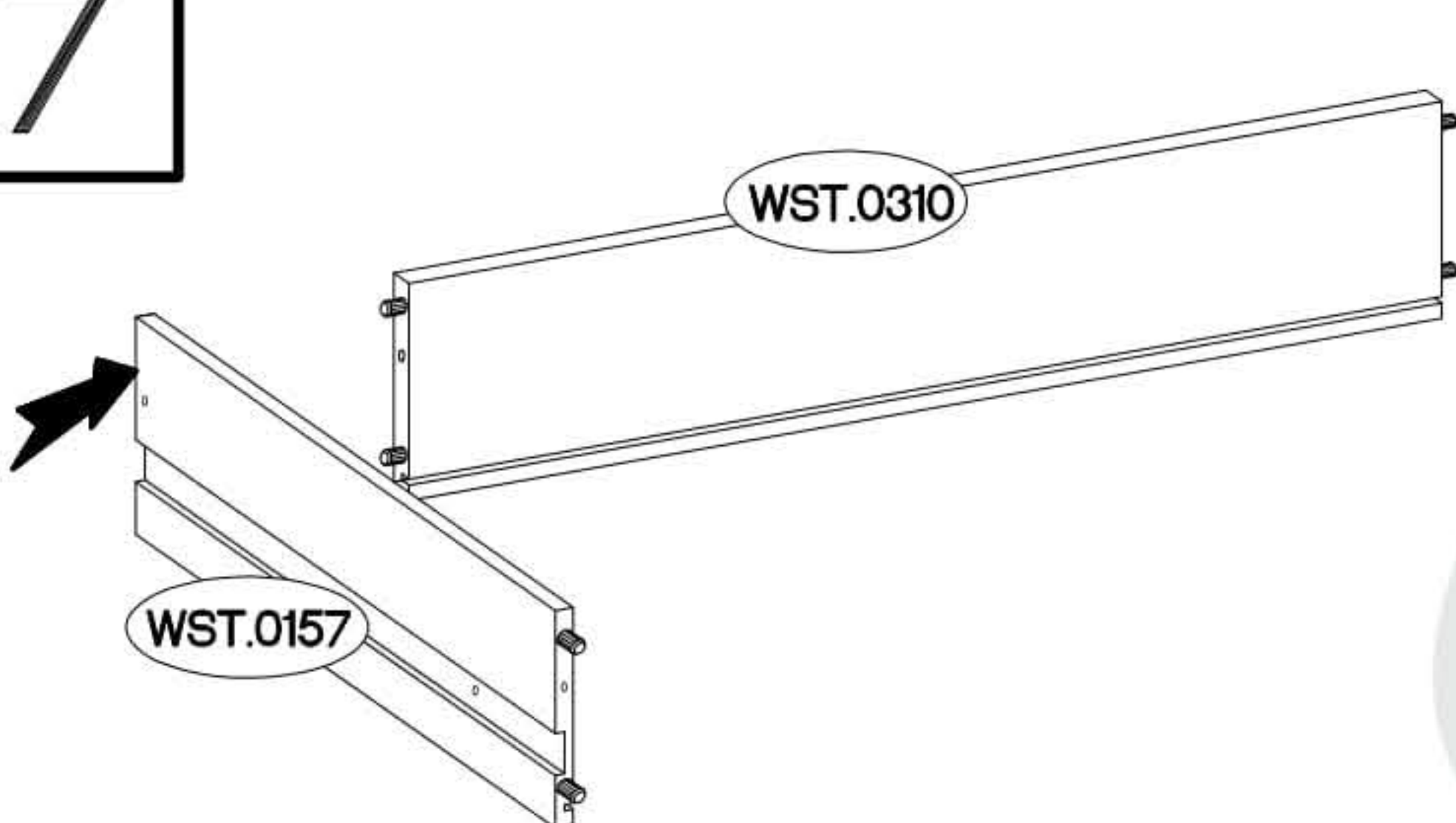



6

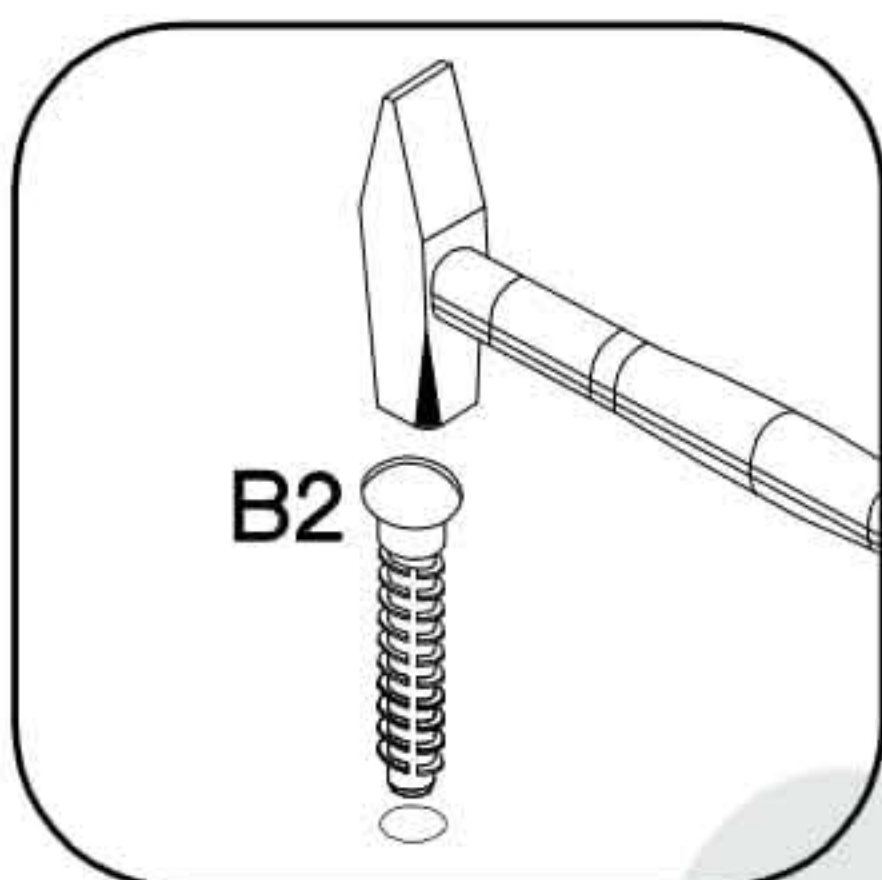
±12/10mm  C5 4	±8x30mm  A 16
---	--



7



±6x42mm  B2 4
---



B2



WST.0157

WST.0310

WST.0156

x2

8

L=20mm  D2 4	 L33 2
--	---



D2

KOE.711

D2

x2

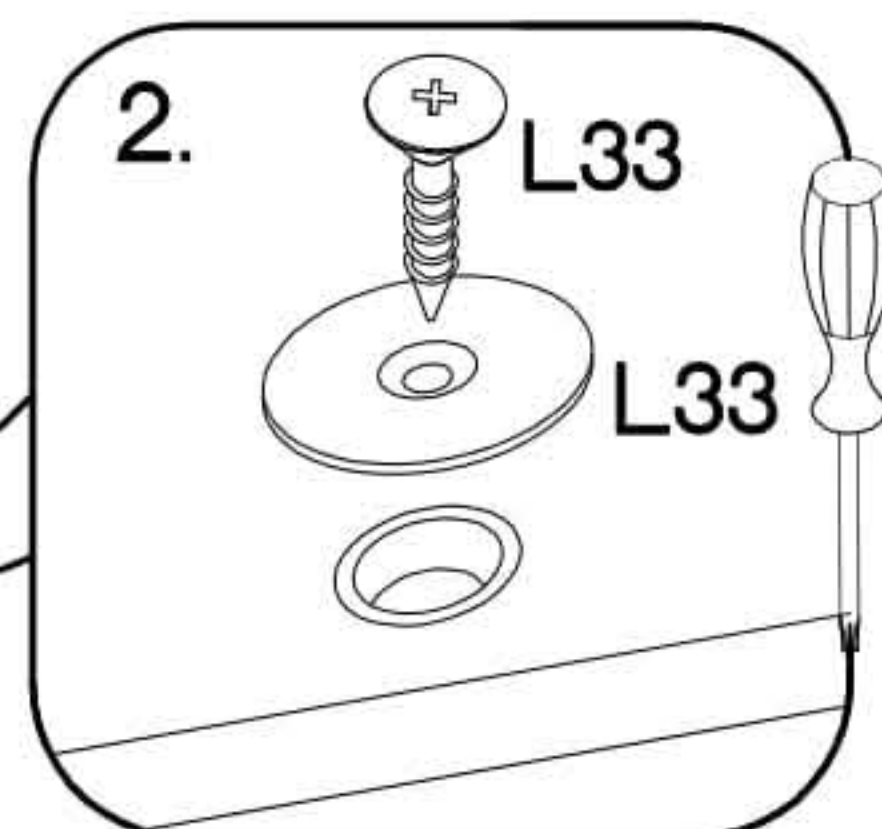
1.

L33

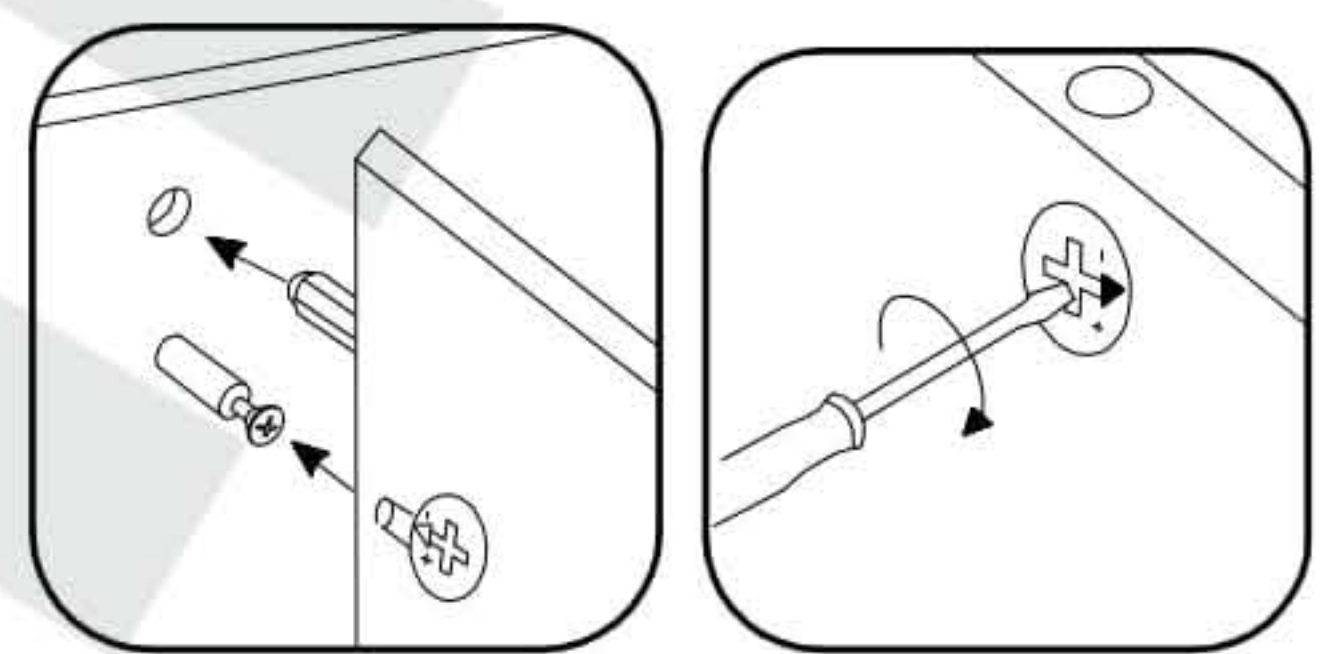
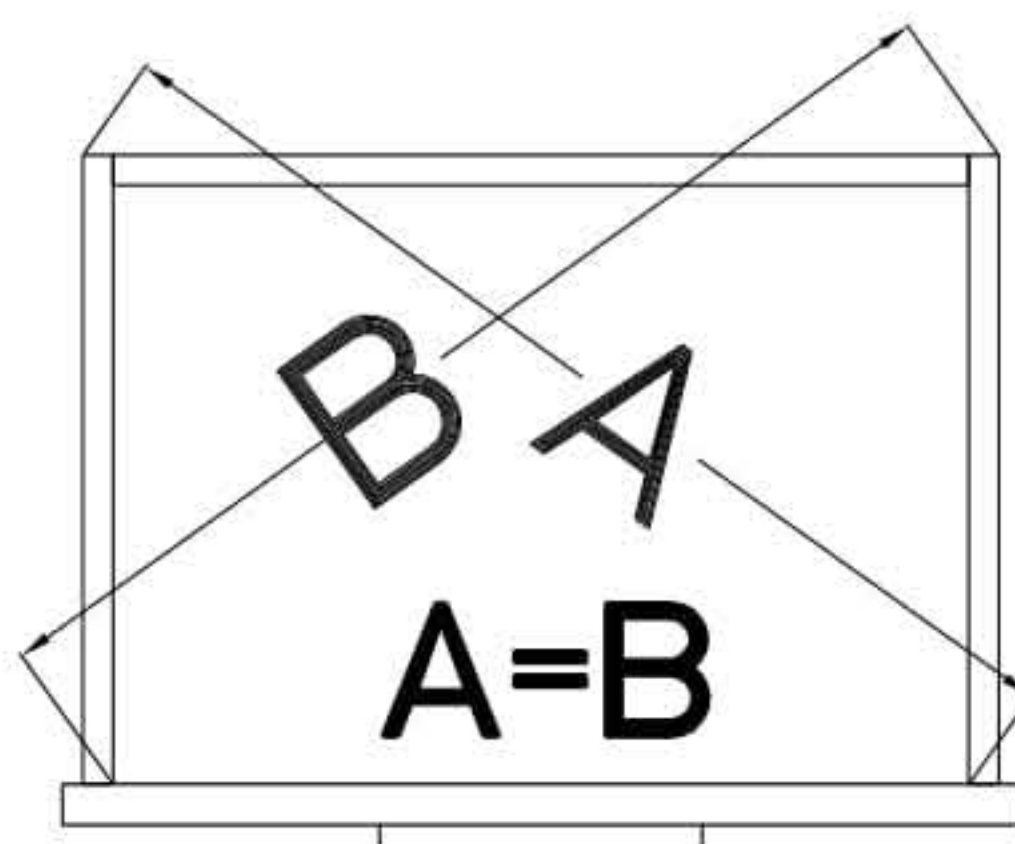
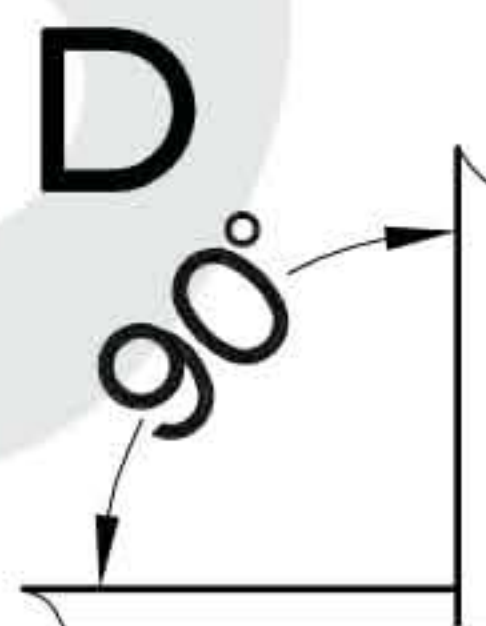
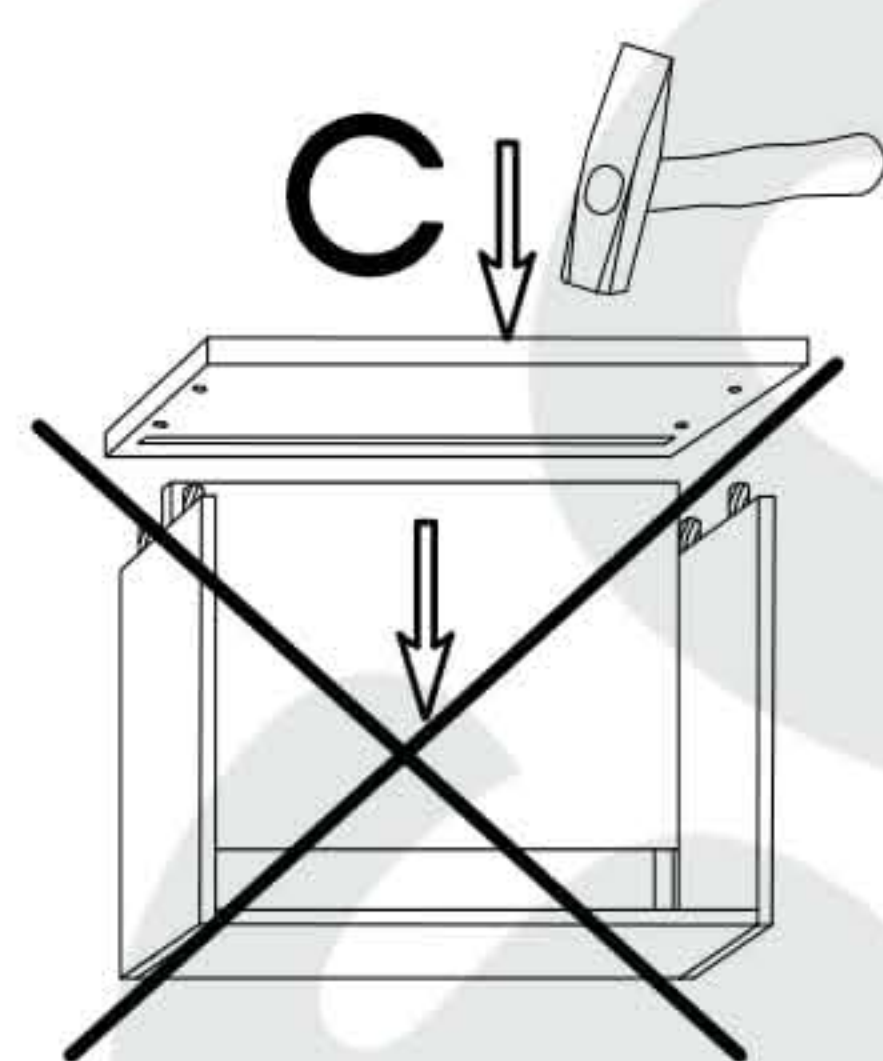
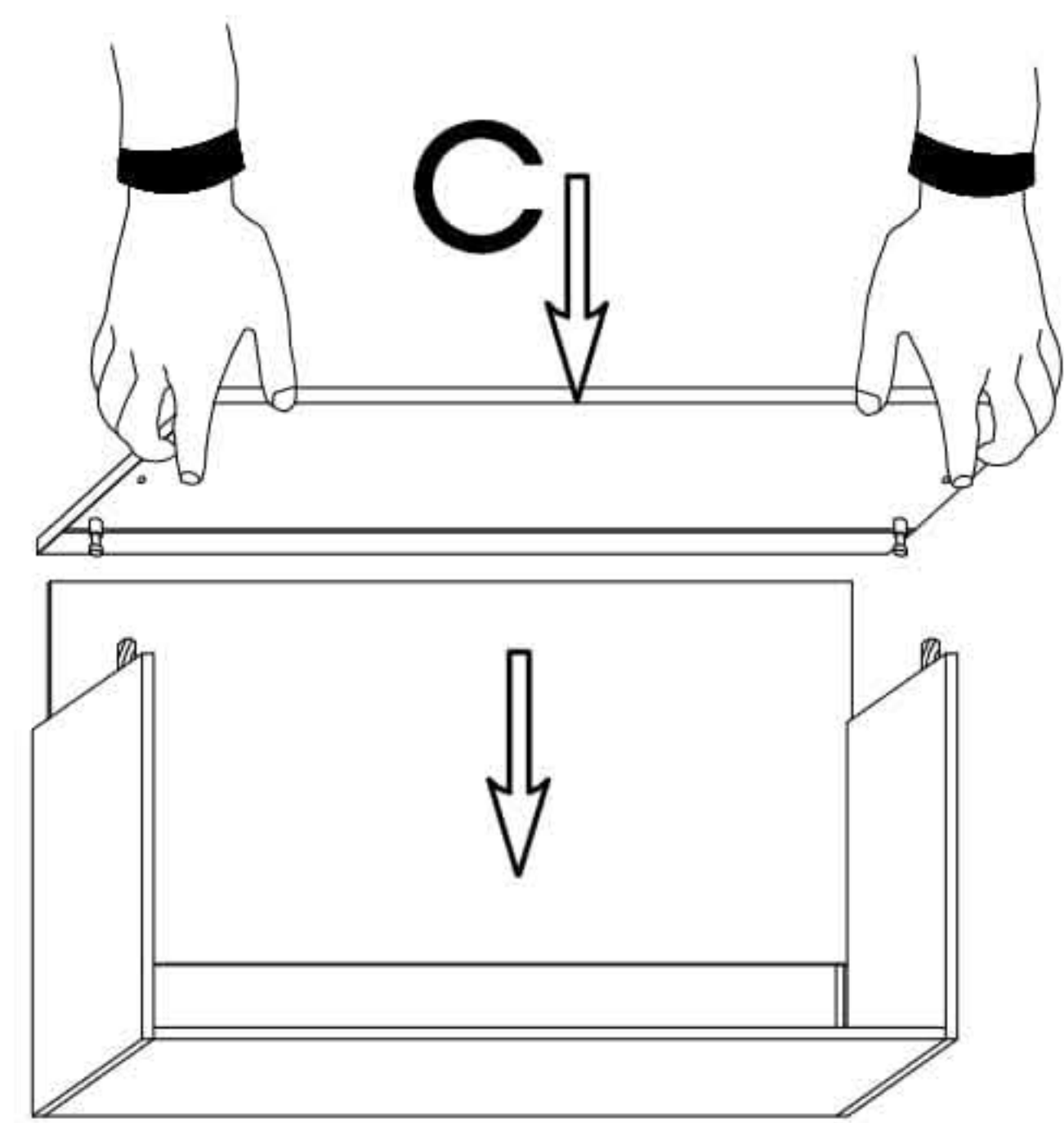
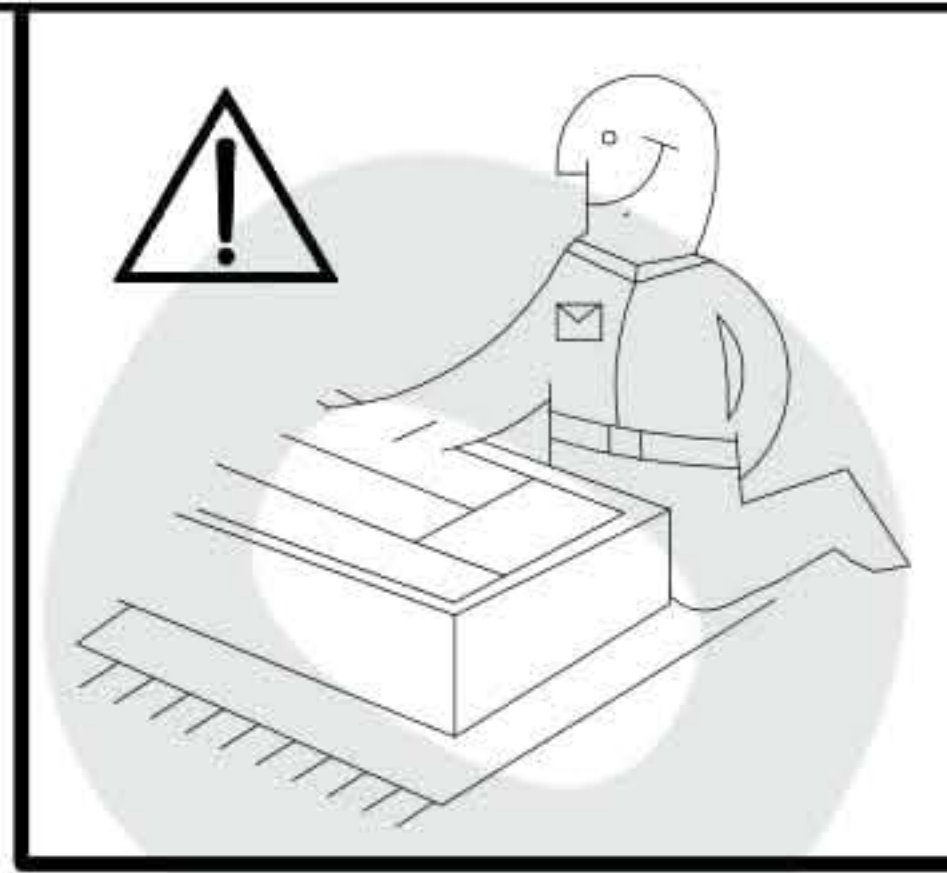
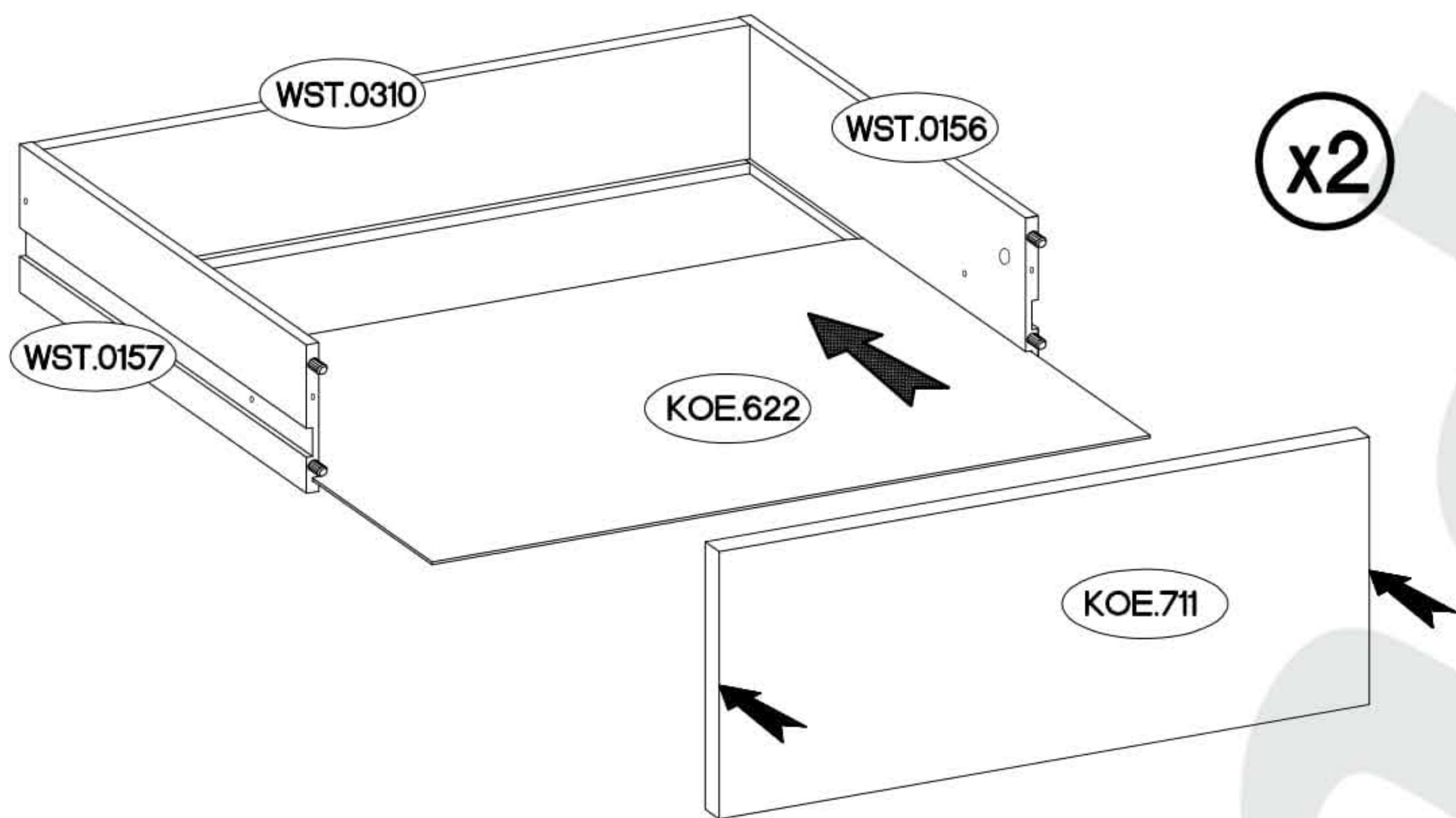
2.

L33

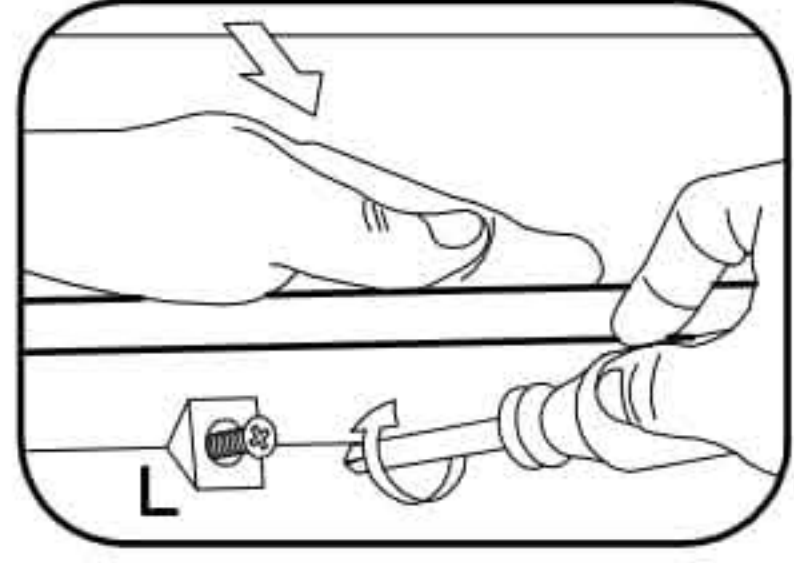
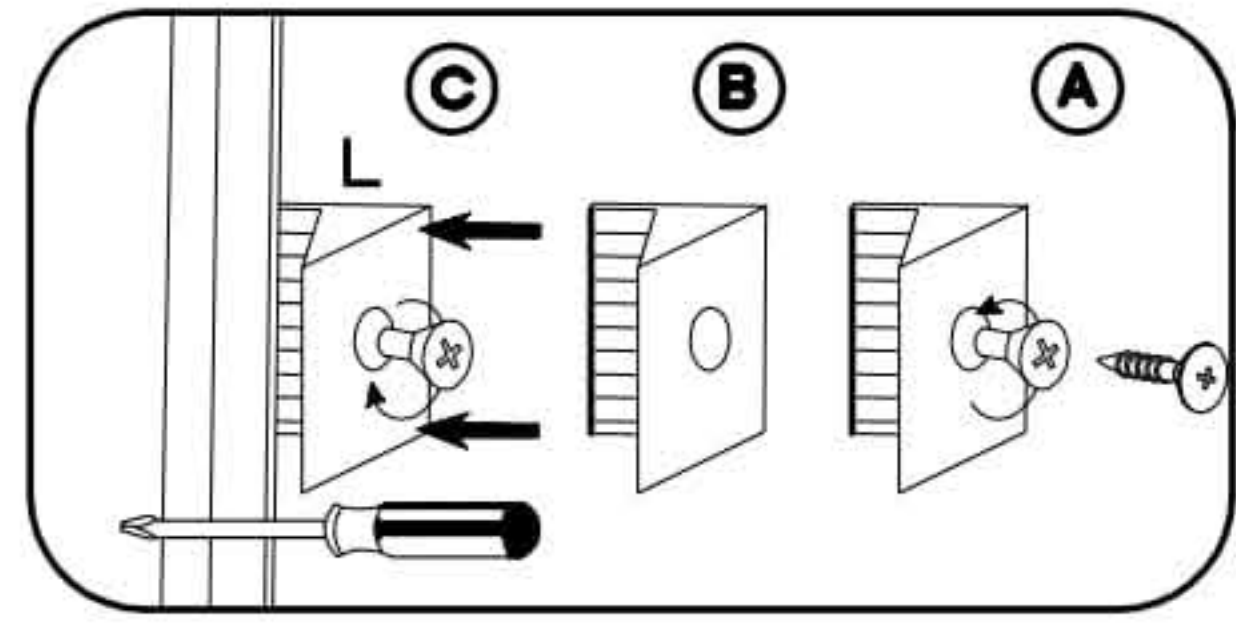
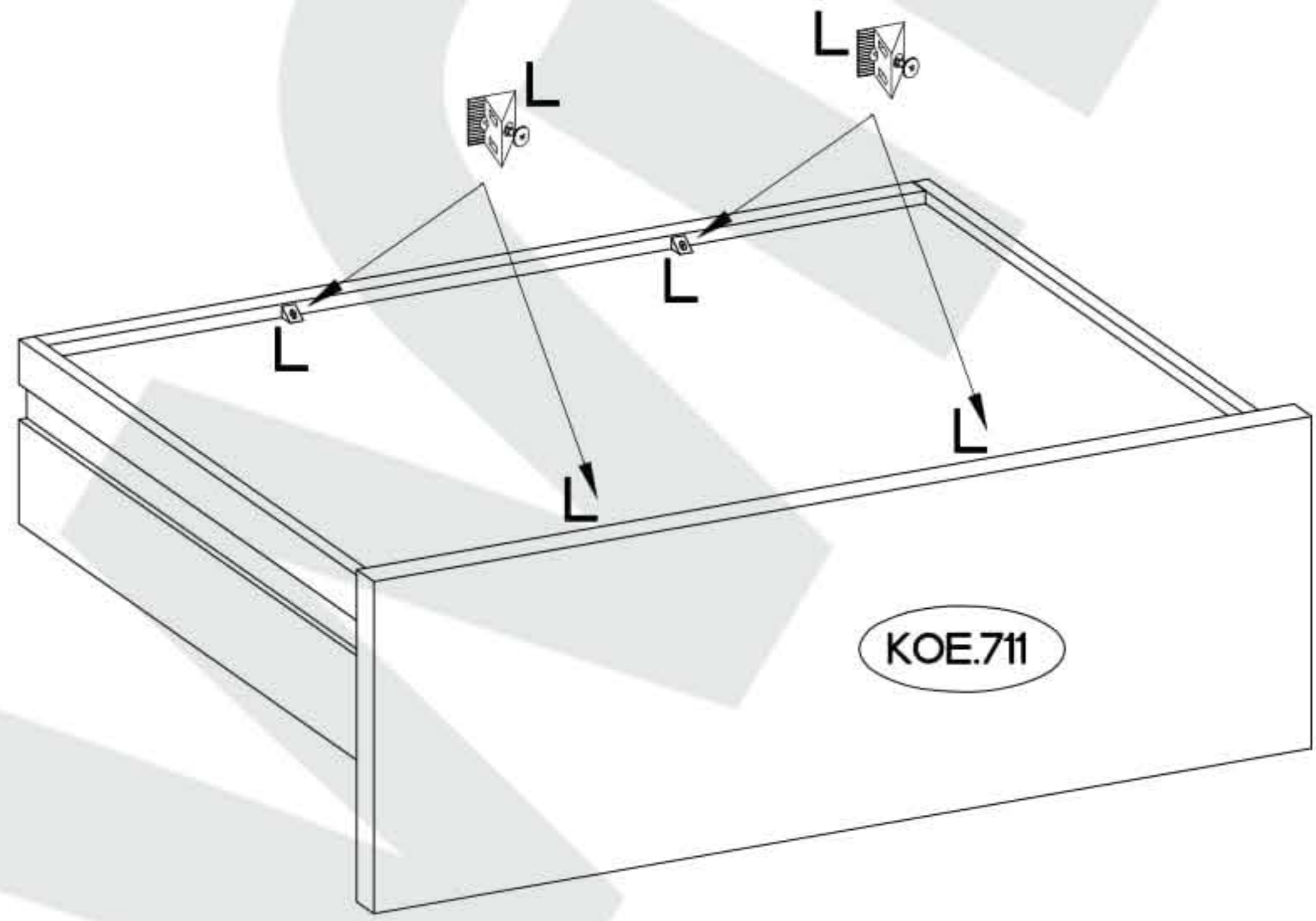
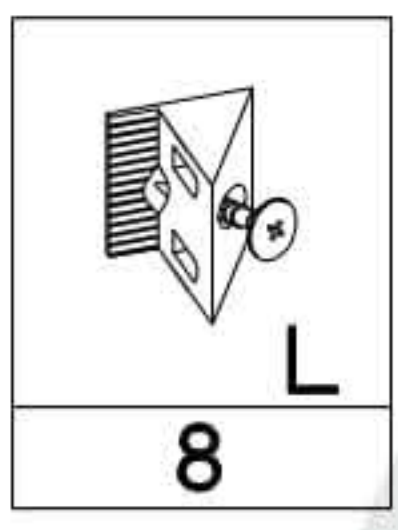
L33



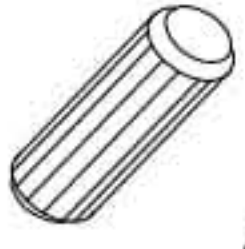


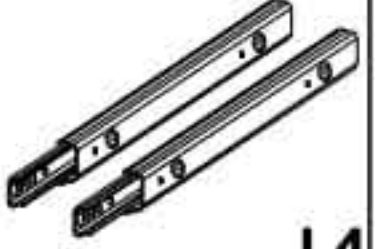


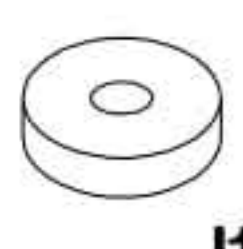
9

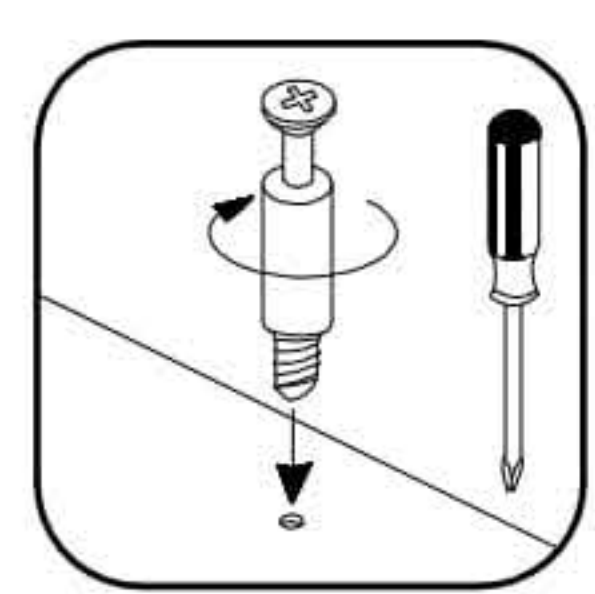
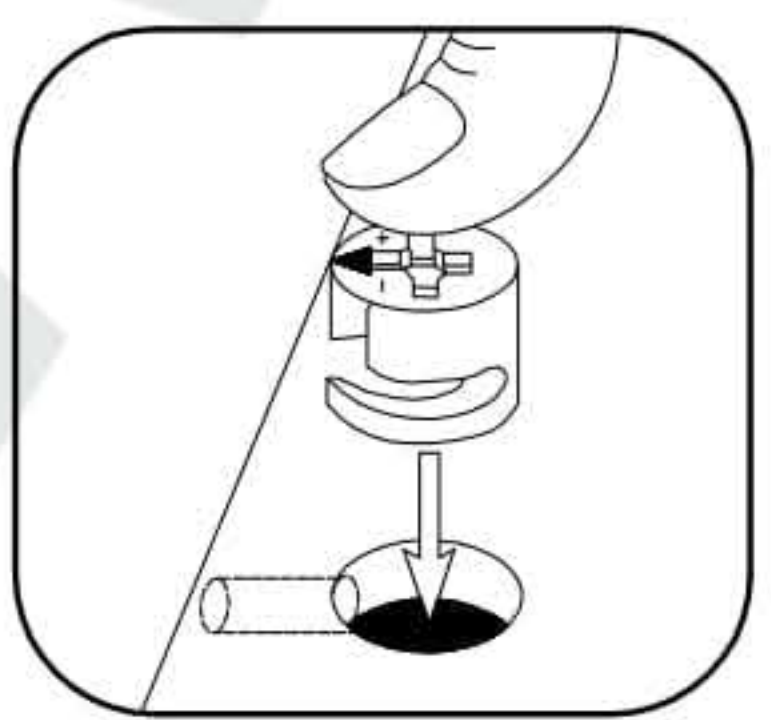
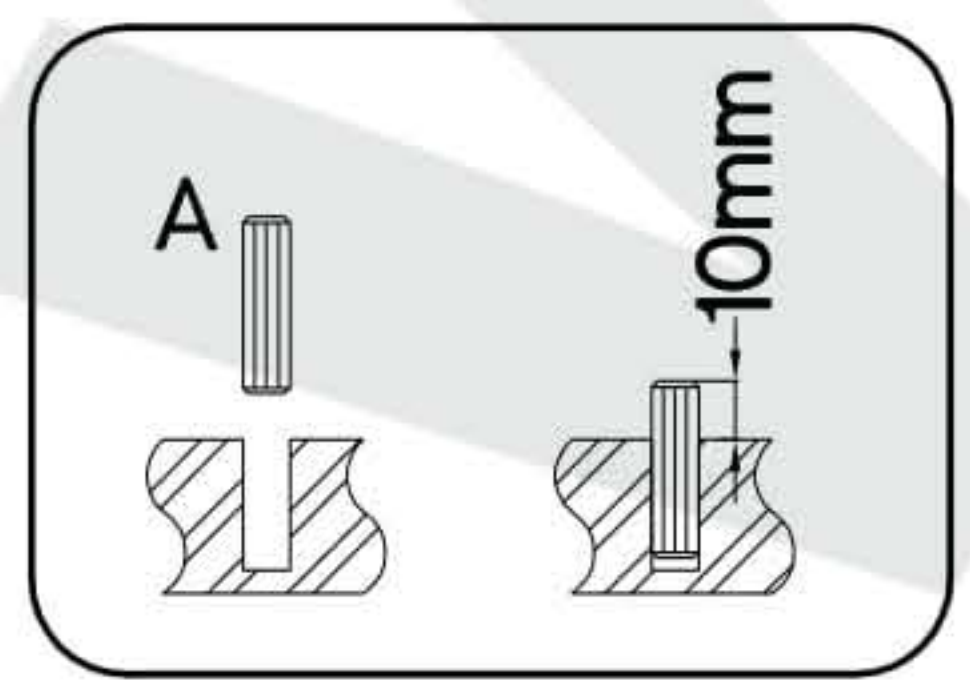
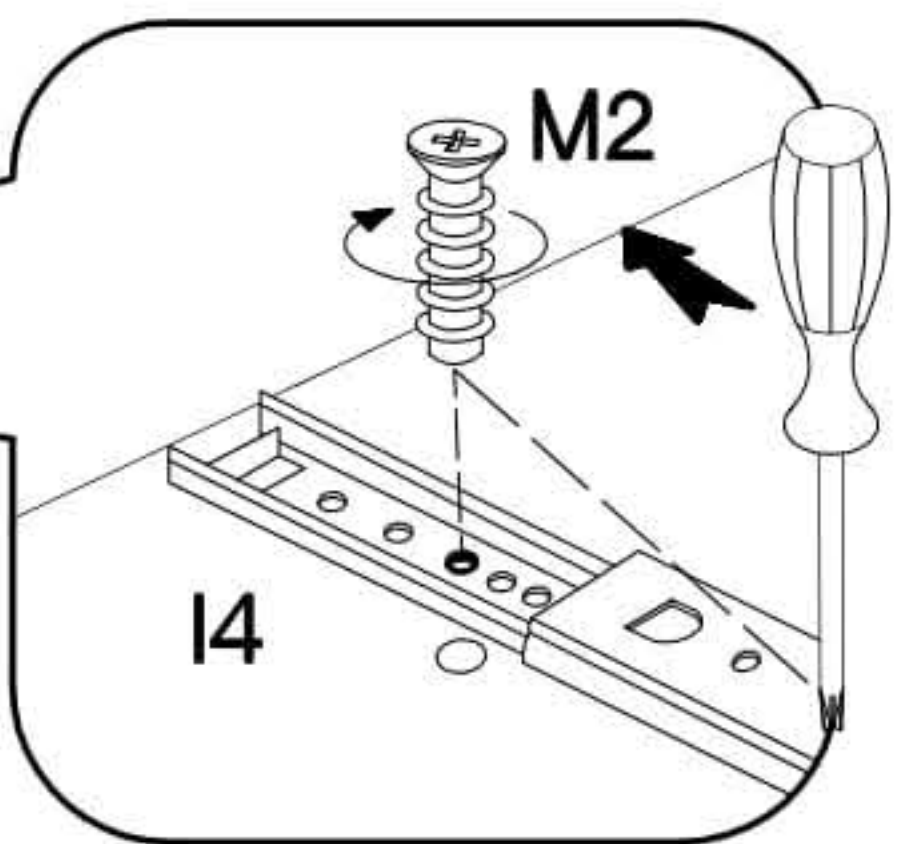
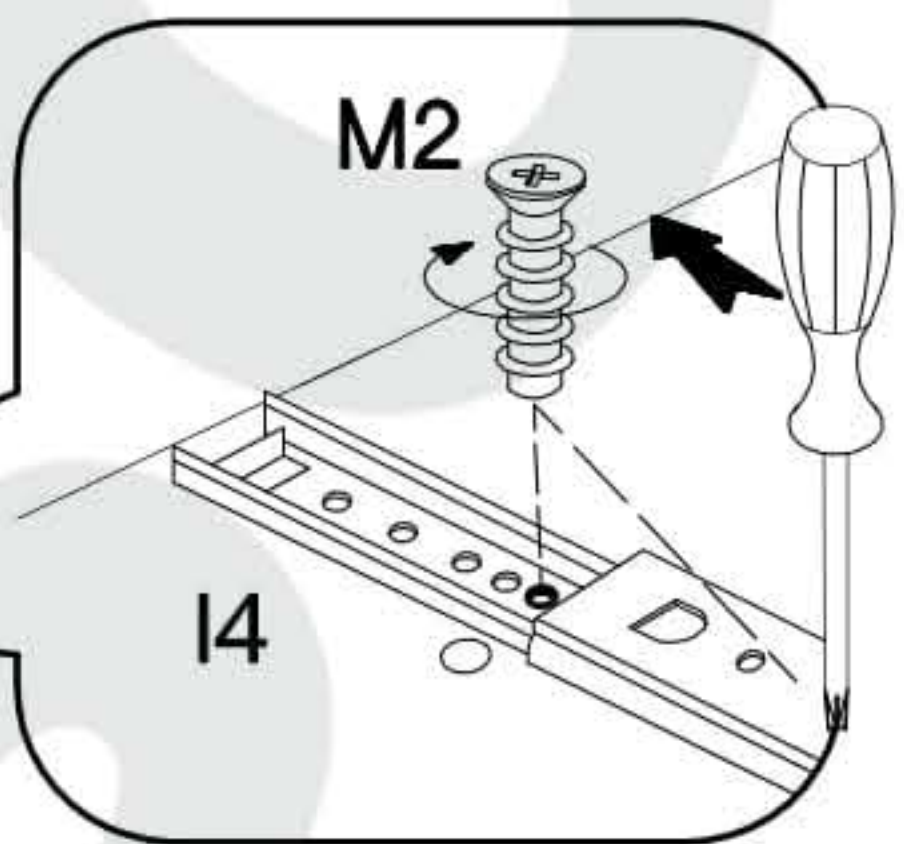
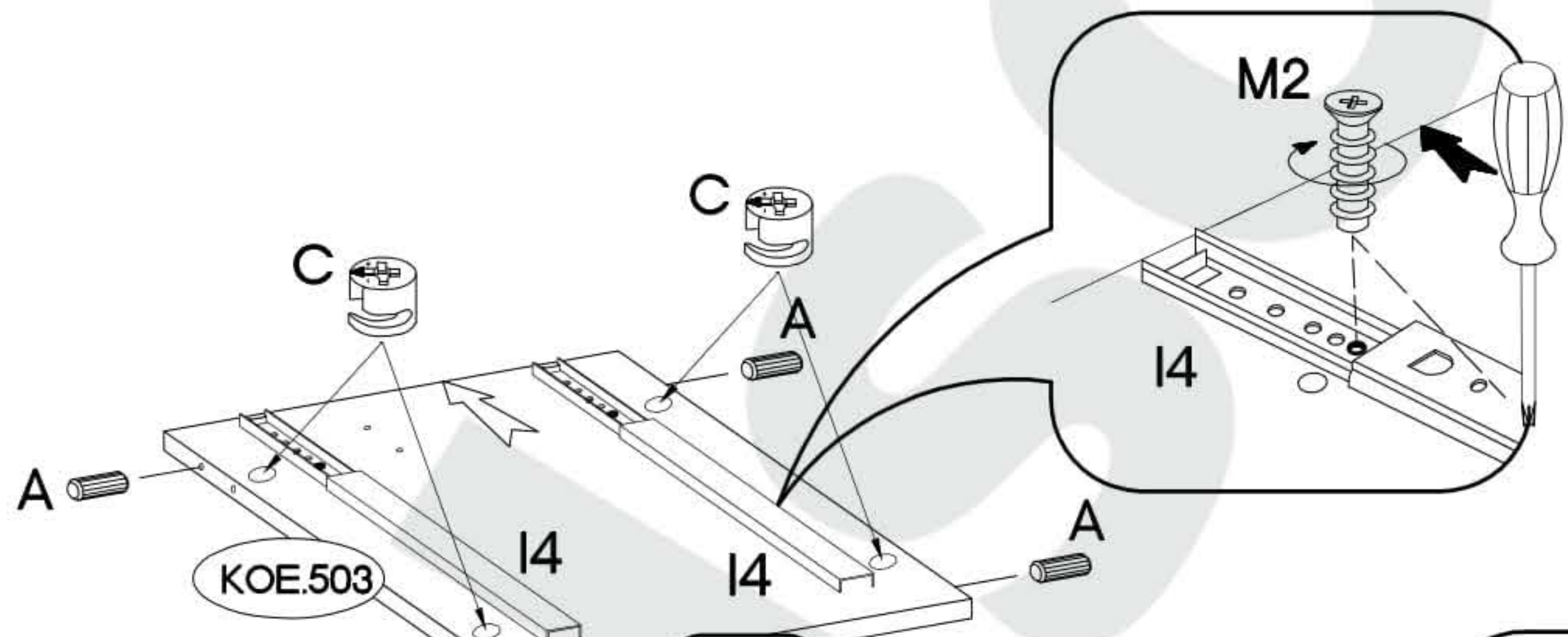
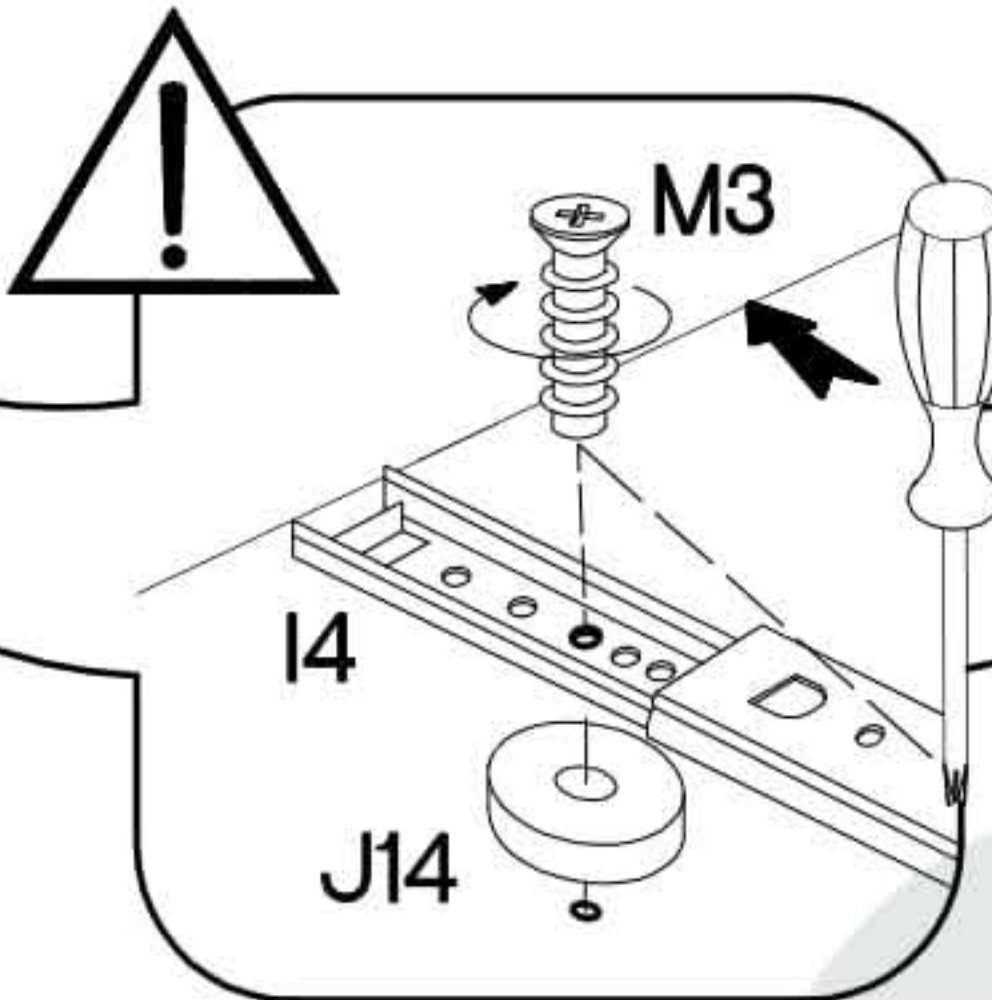
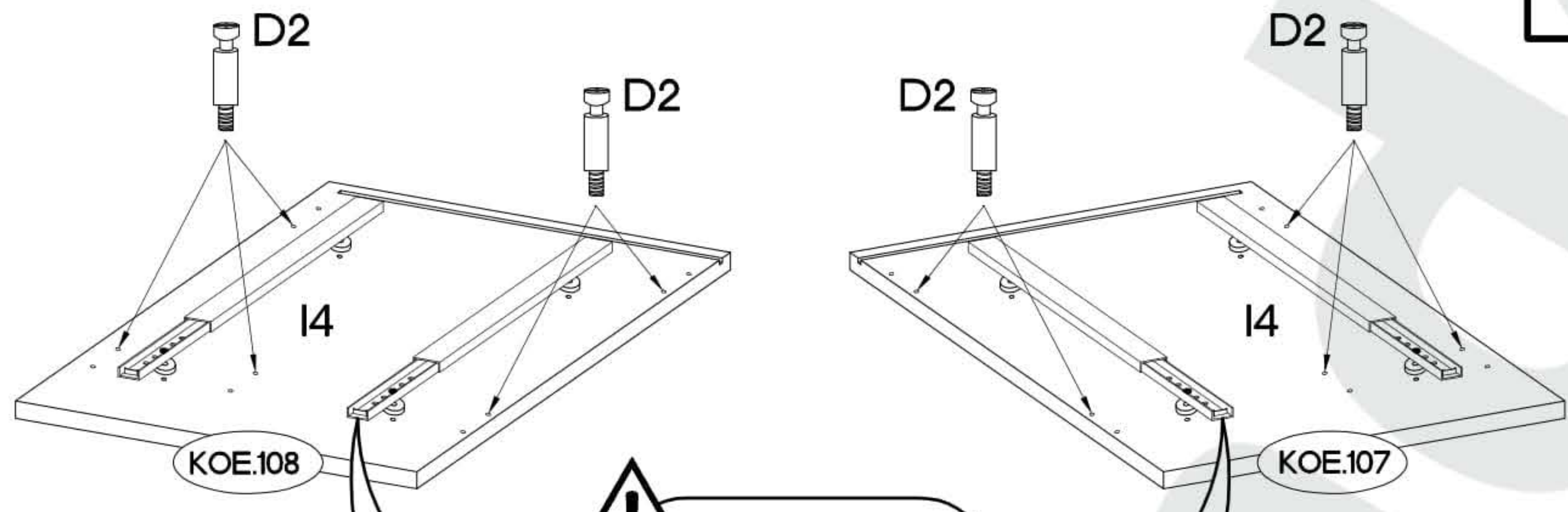


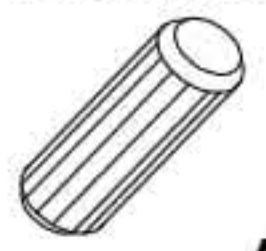



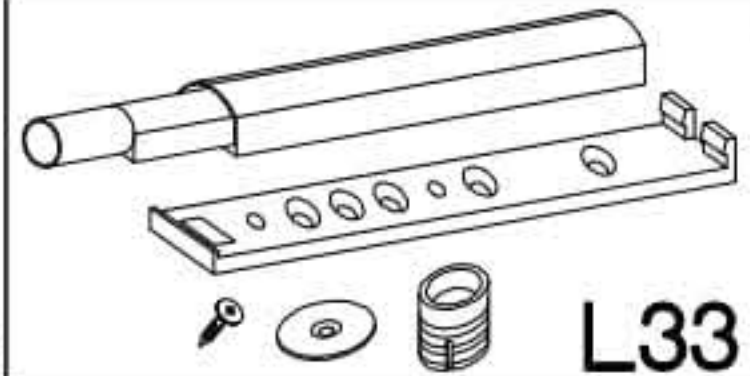

10

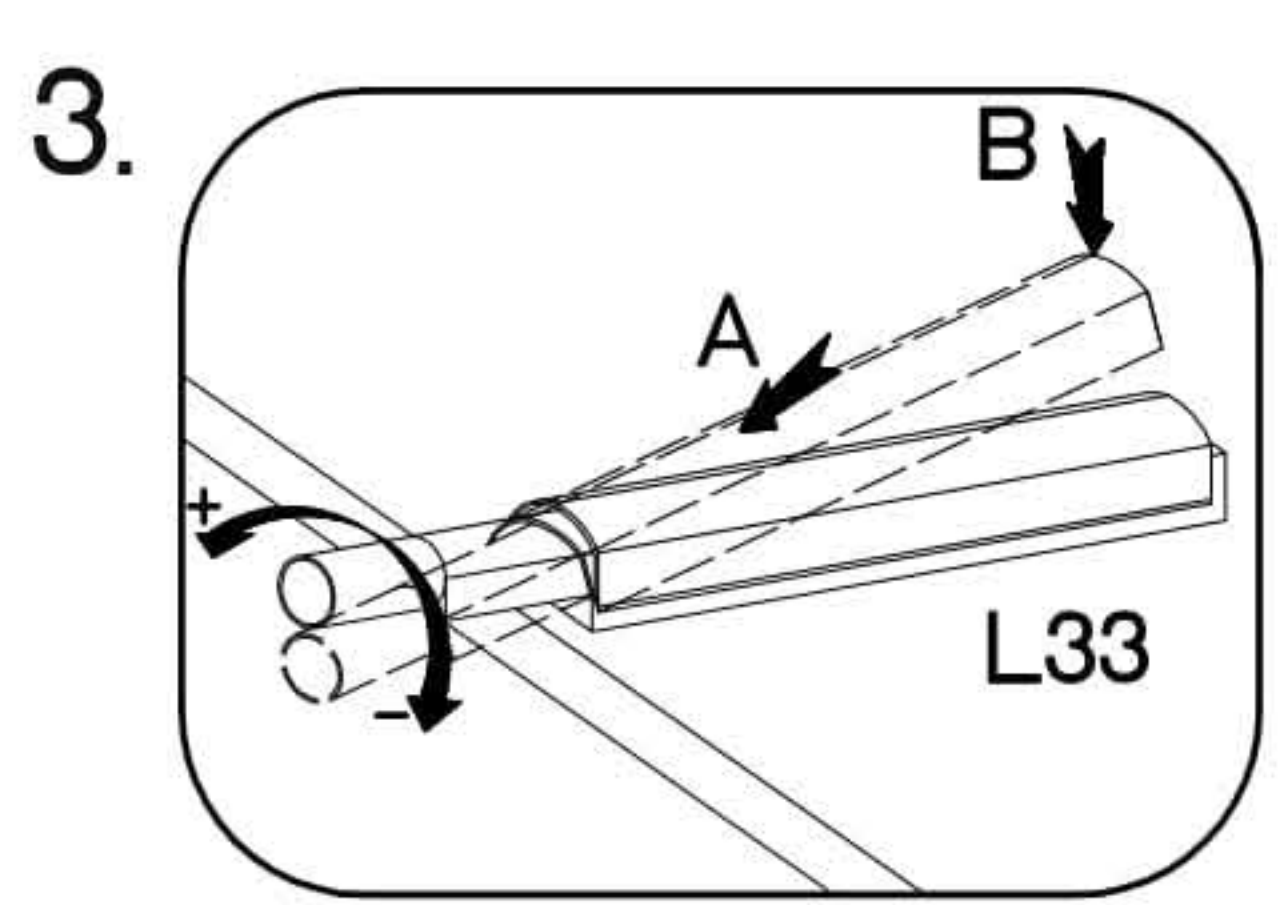
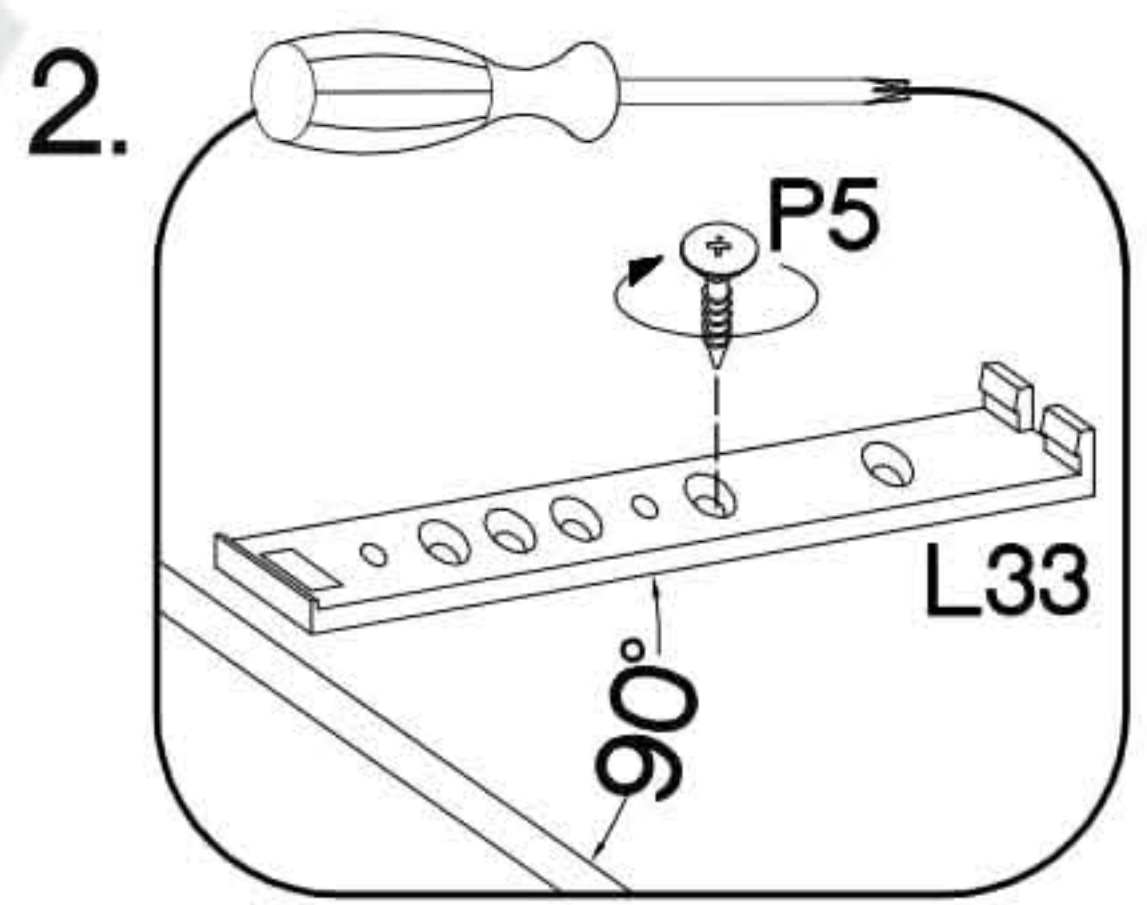
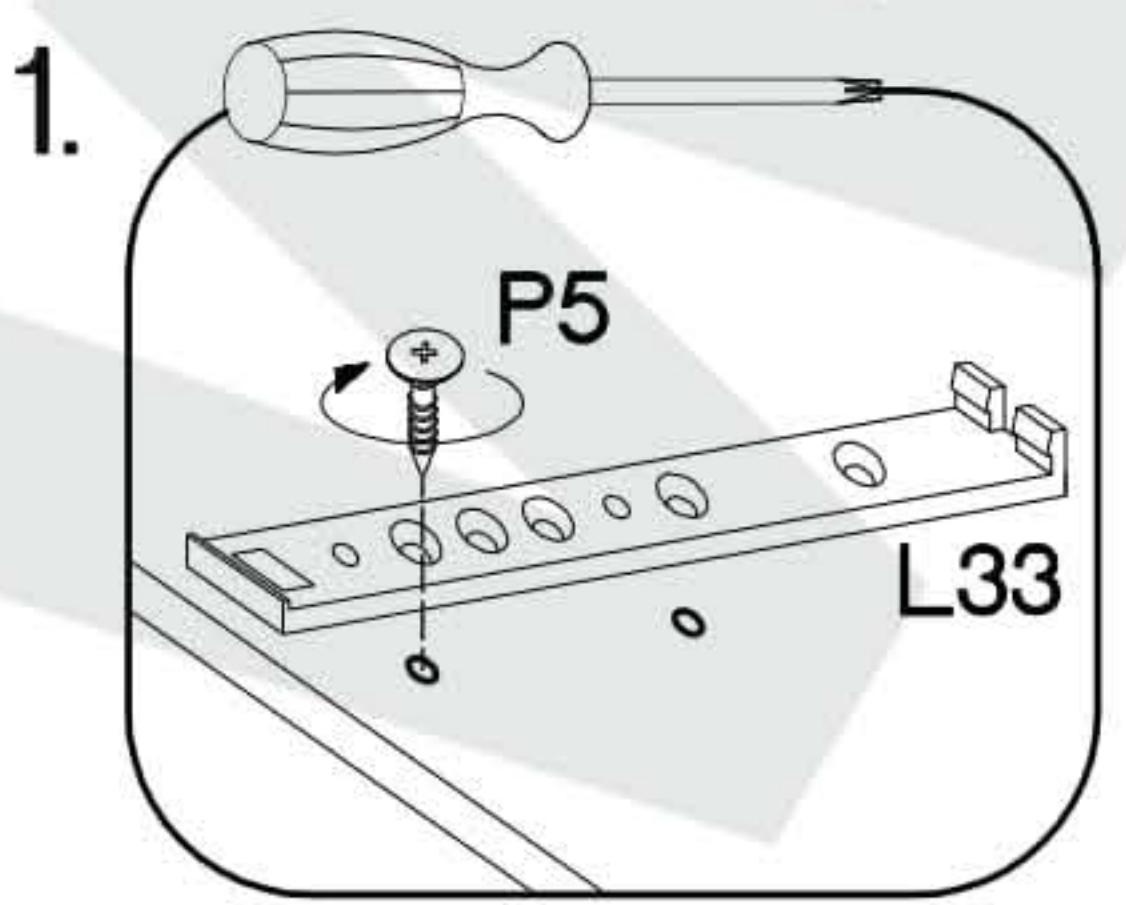
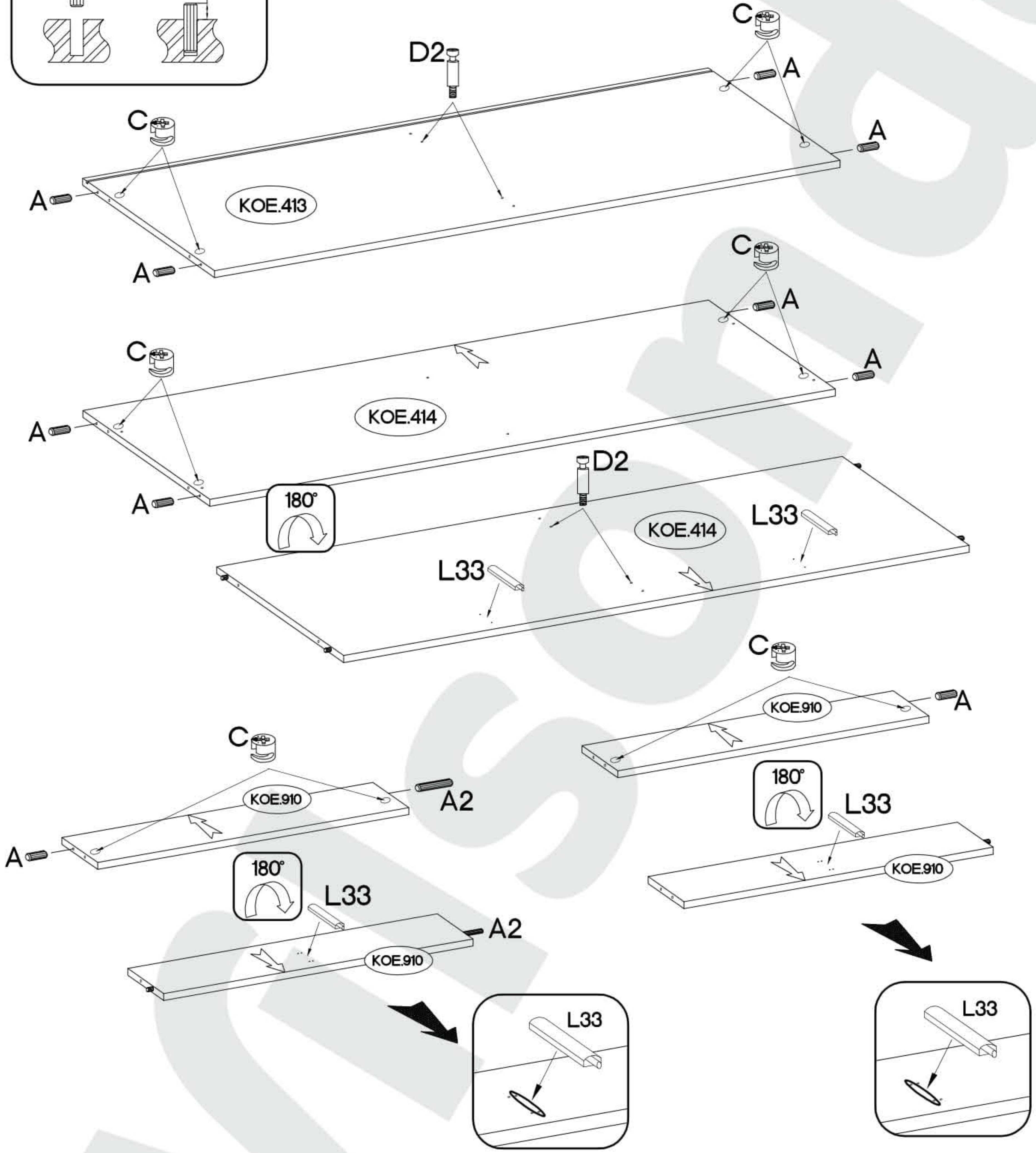
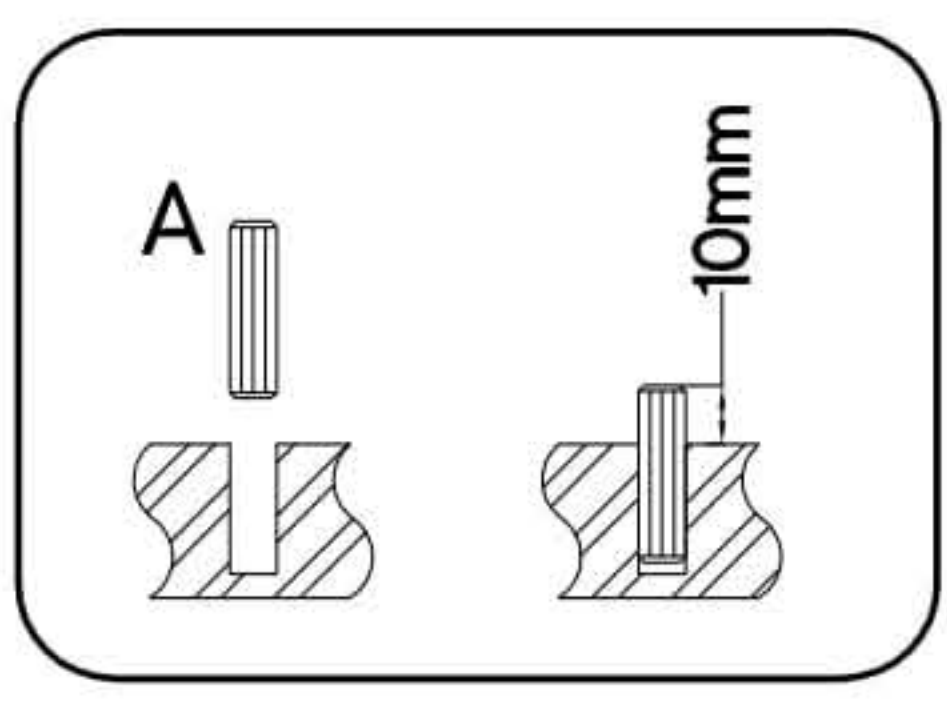
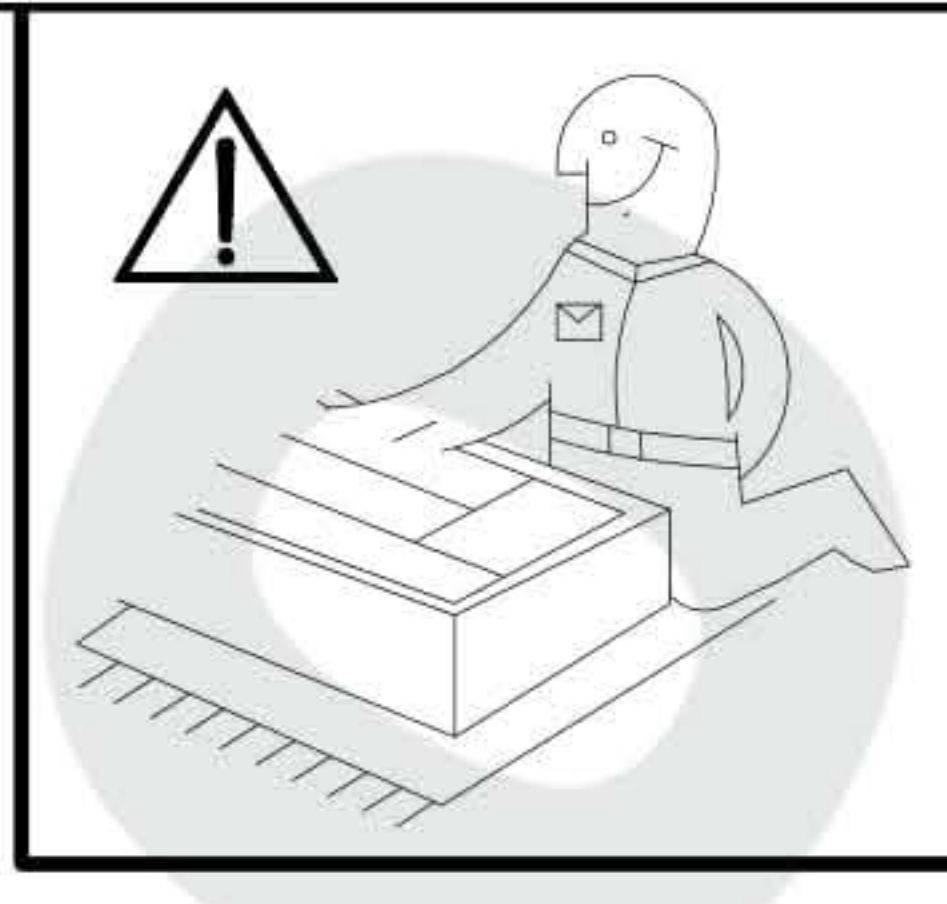


x2

†8x30mm  A	†15/12mm  C	L=20mm  D2	27/310mm  I4	†6,3x13mm  M2	†6.3x20mm  M3	†20/8mm  J14
4	4	10	4	8	8	8

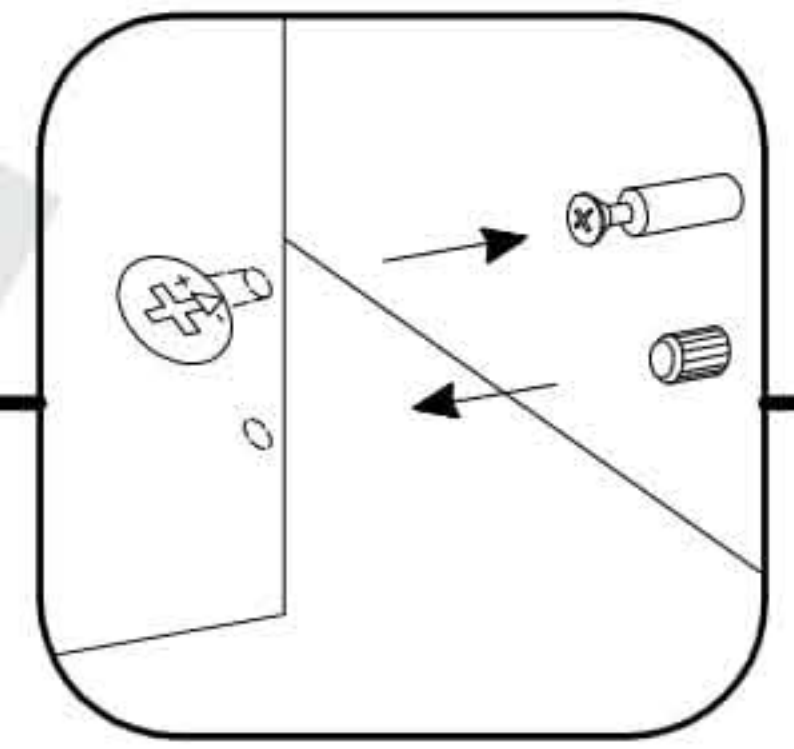
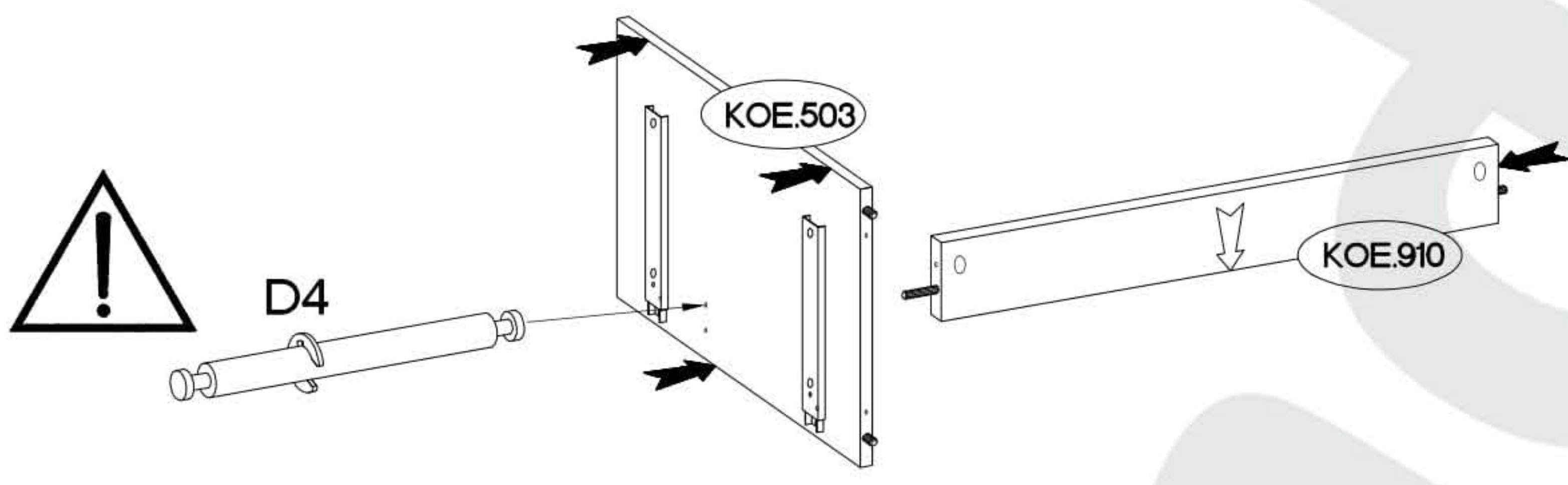
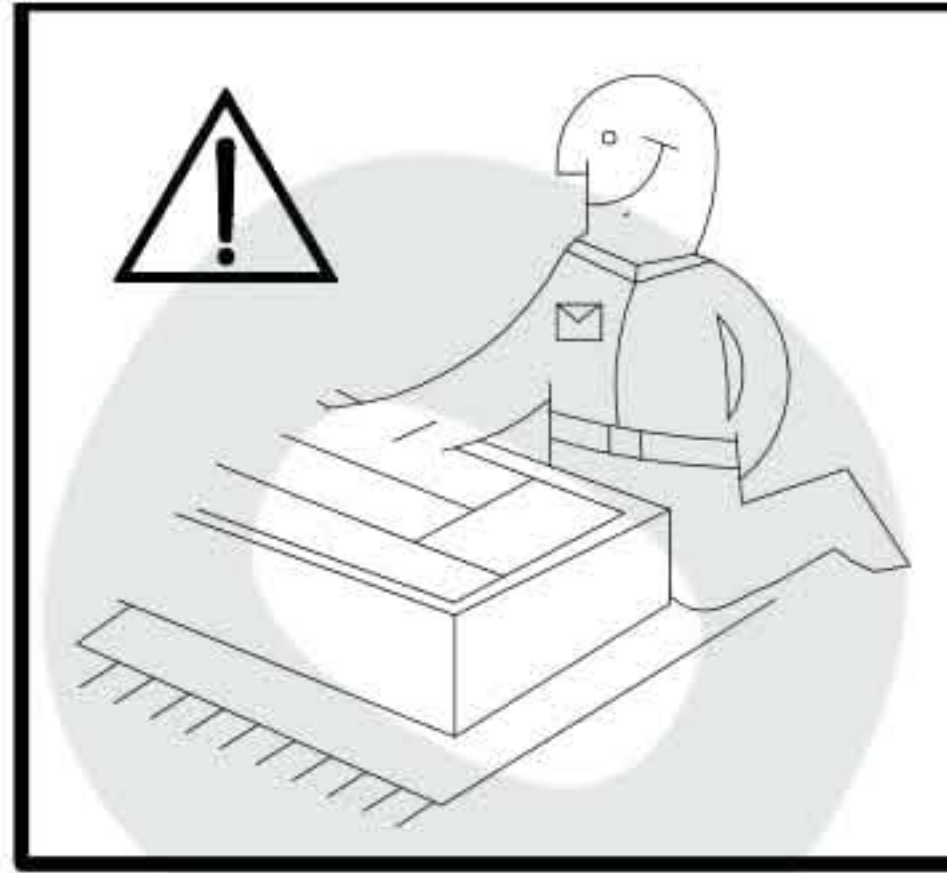
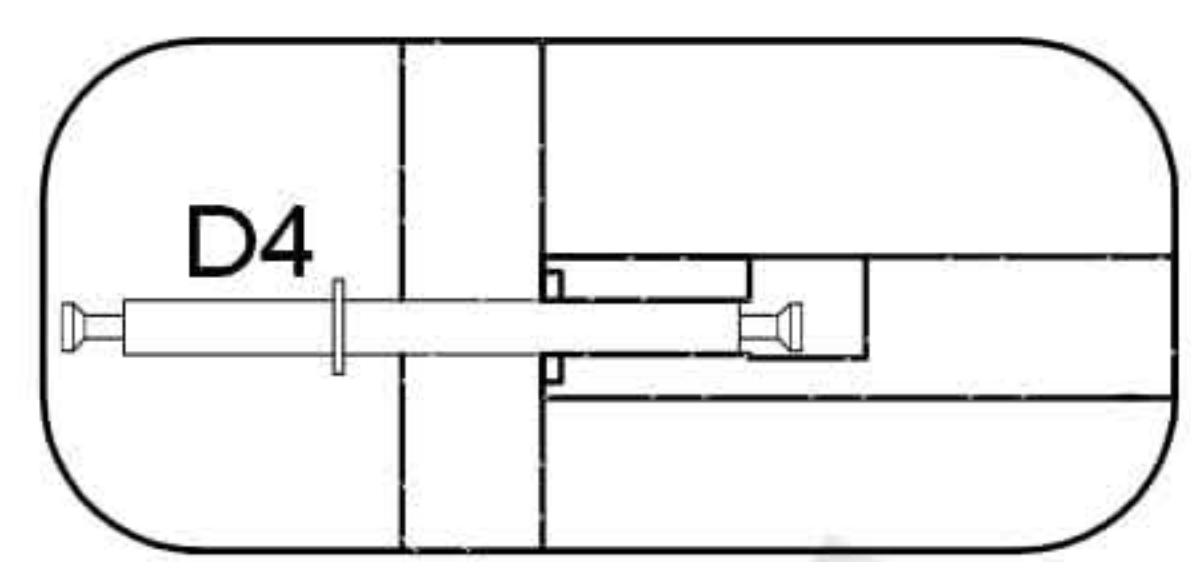
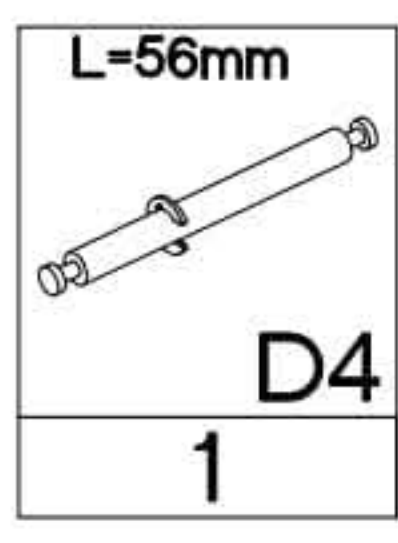


$\pm 8 \times 30 \text{mm}$  A 10	$\pm 8 \times 60 \text{mm}$  A2 1	$\pm 15/12 \text{mm}$  C 12	L=20mm  D2 4	 L33 4	$\pm 3.5 \times 13 \text{mm}$  P5 8
--	--	--	---	---	--

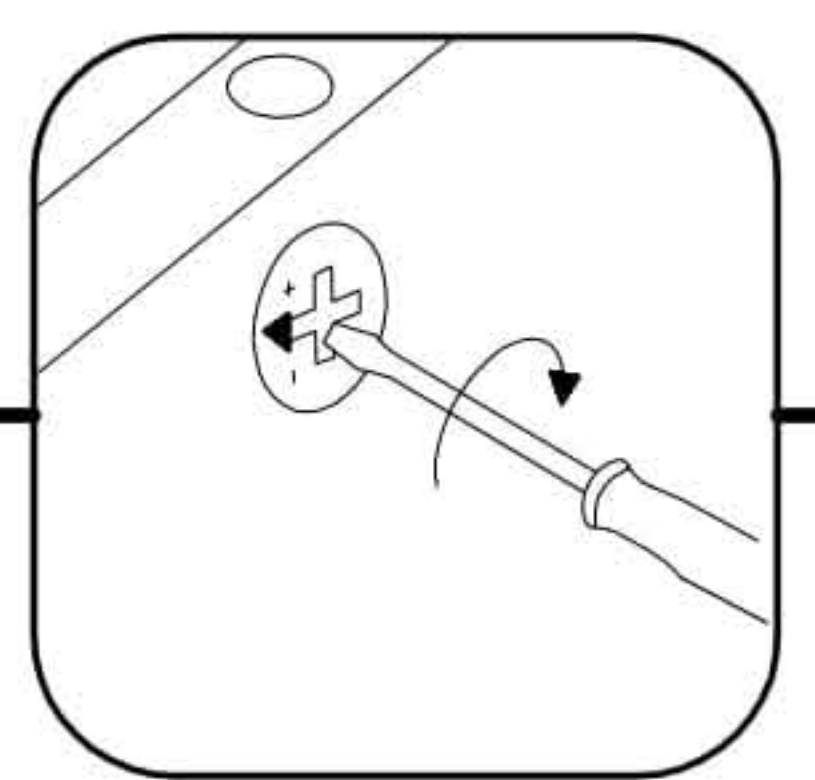
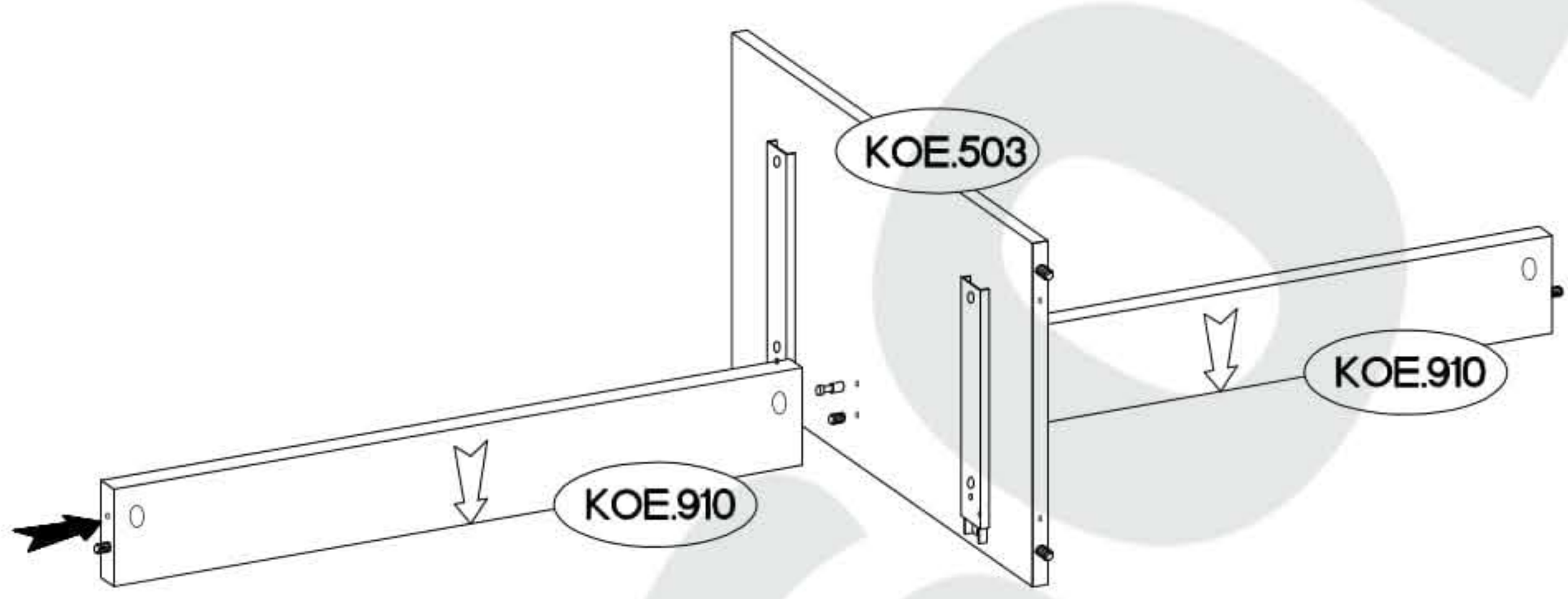




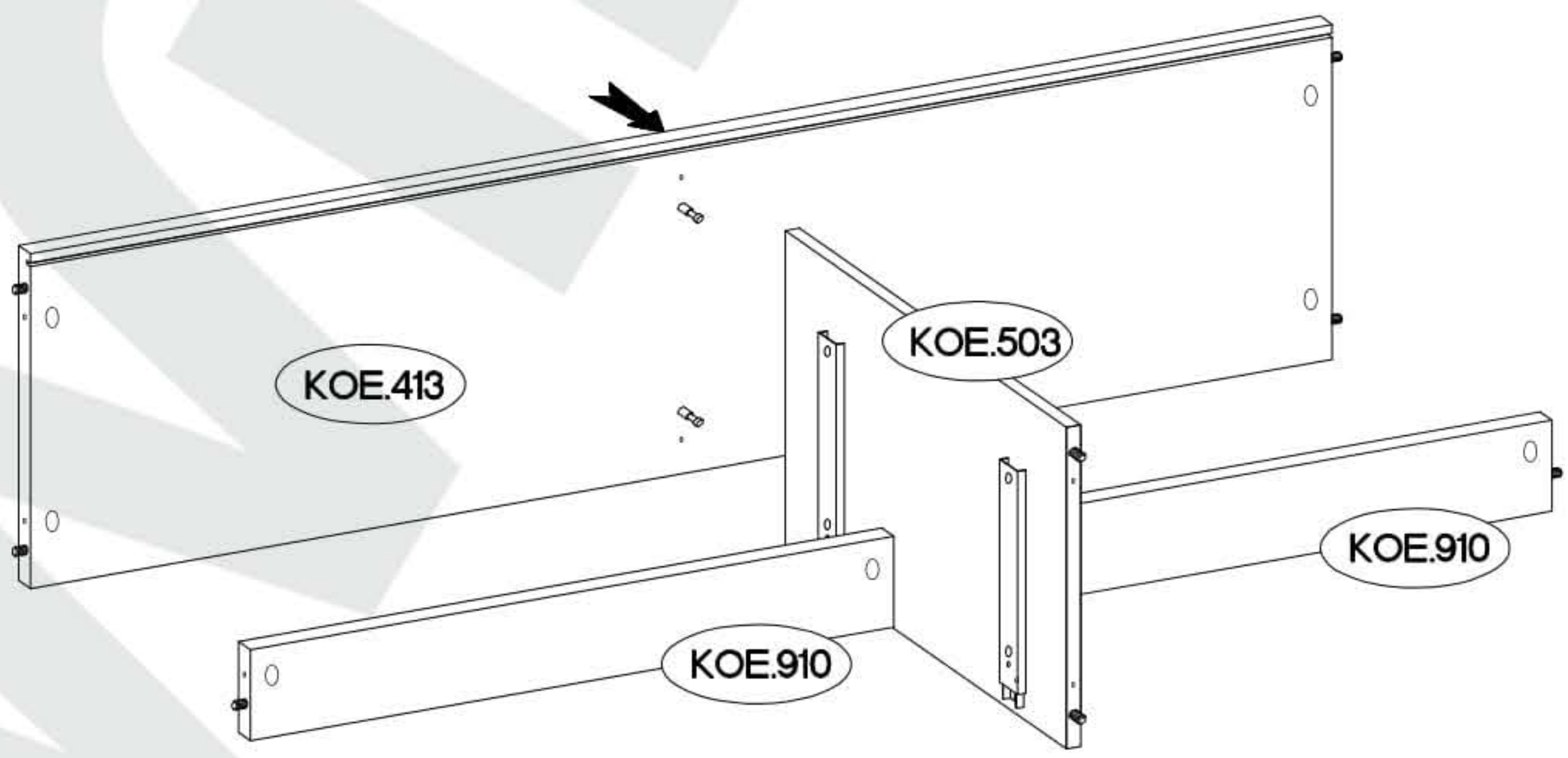
13

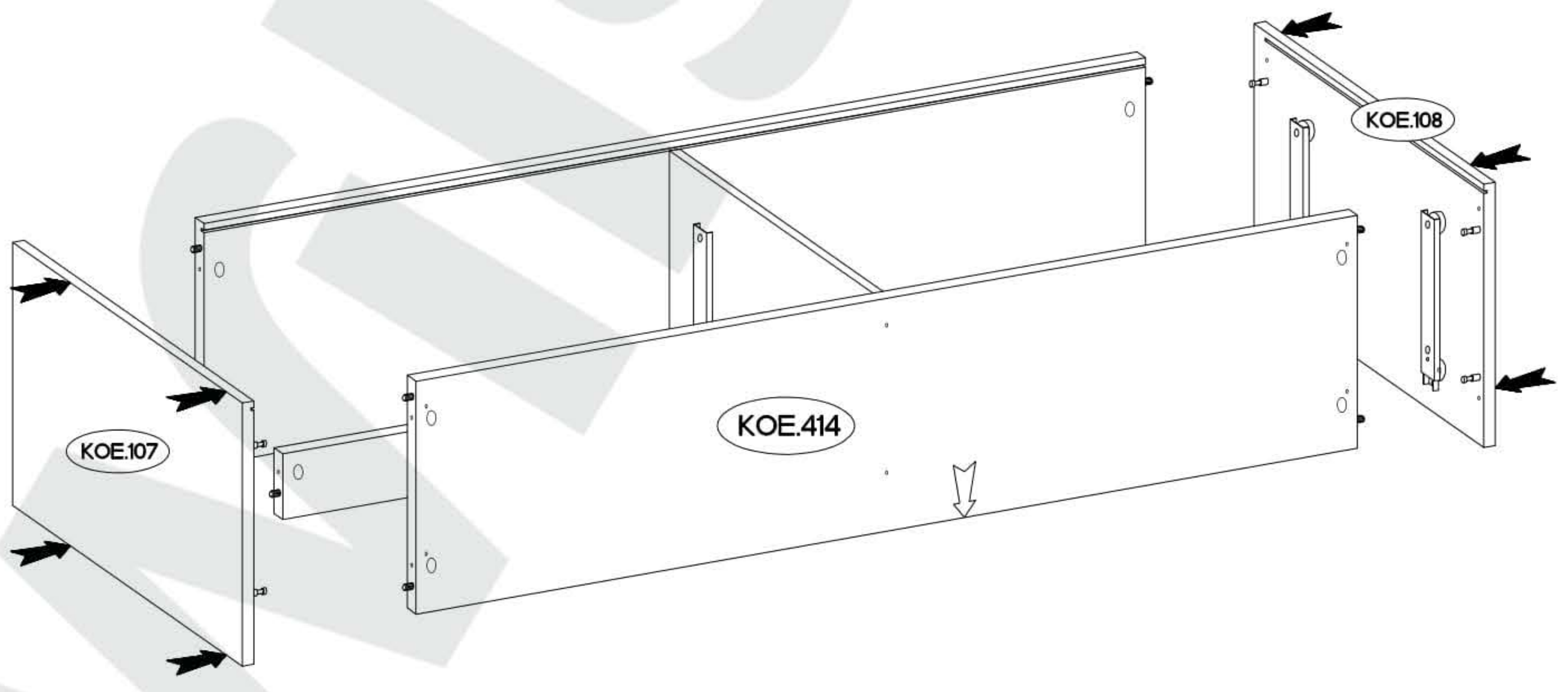
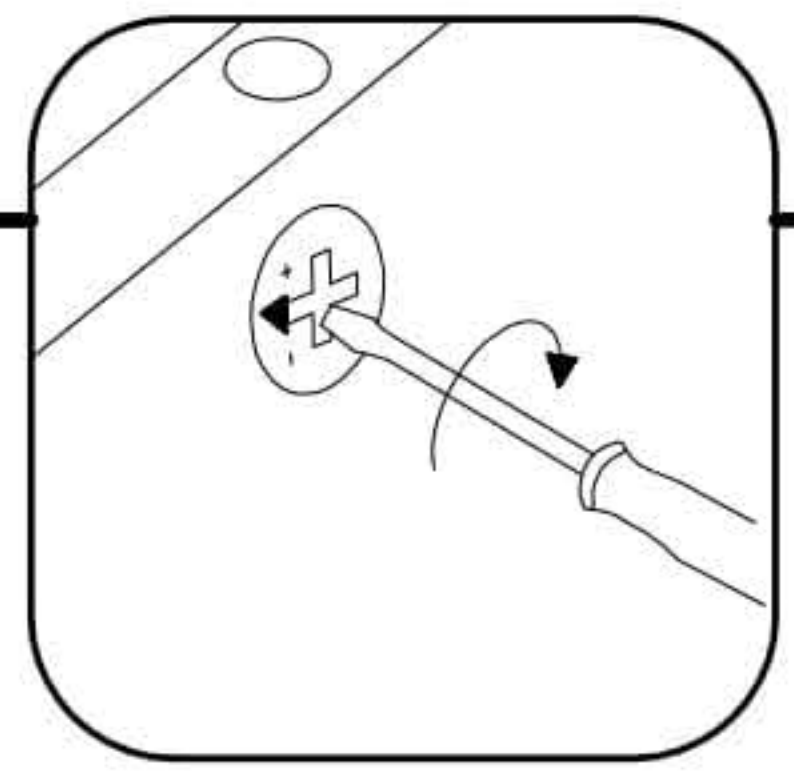
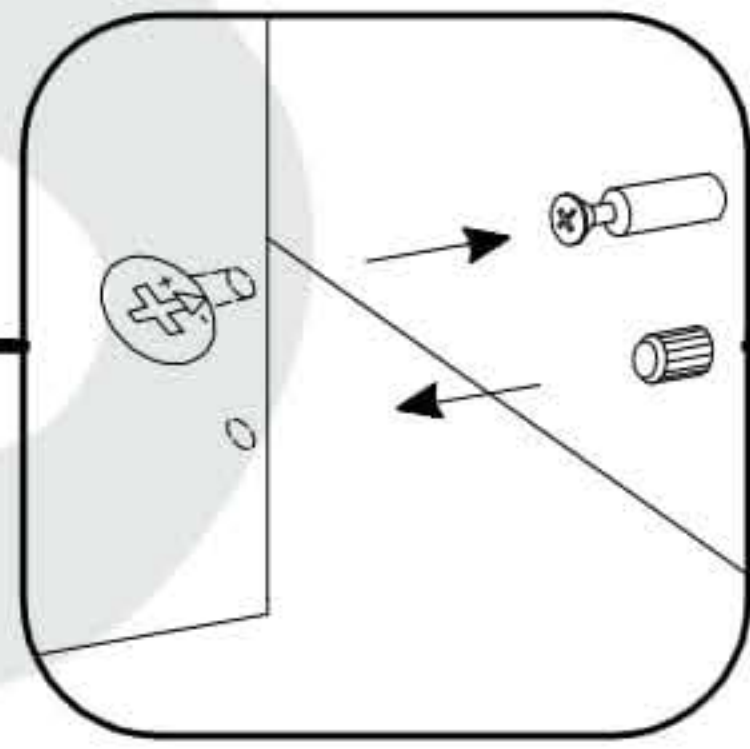
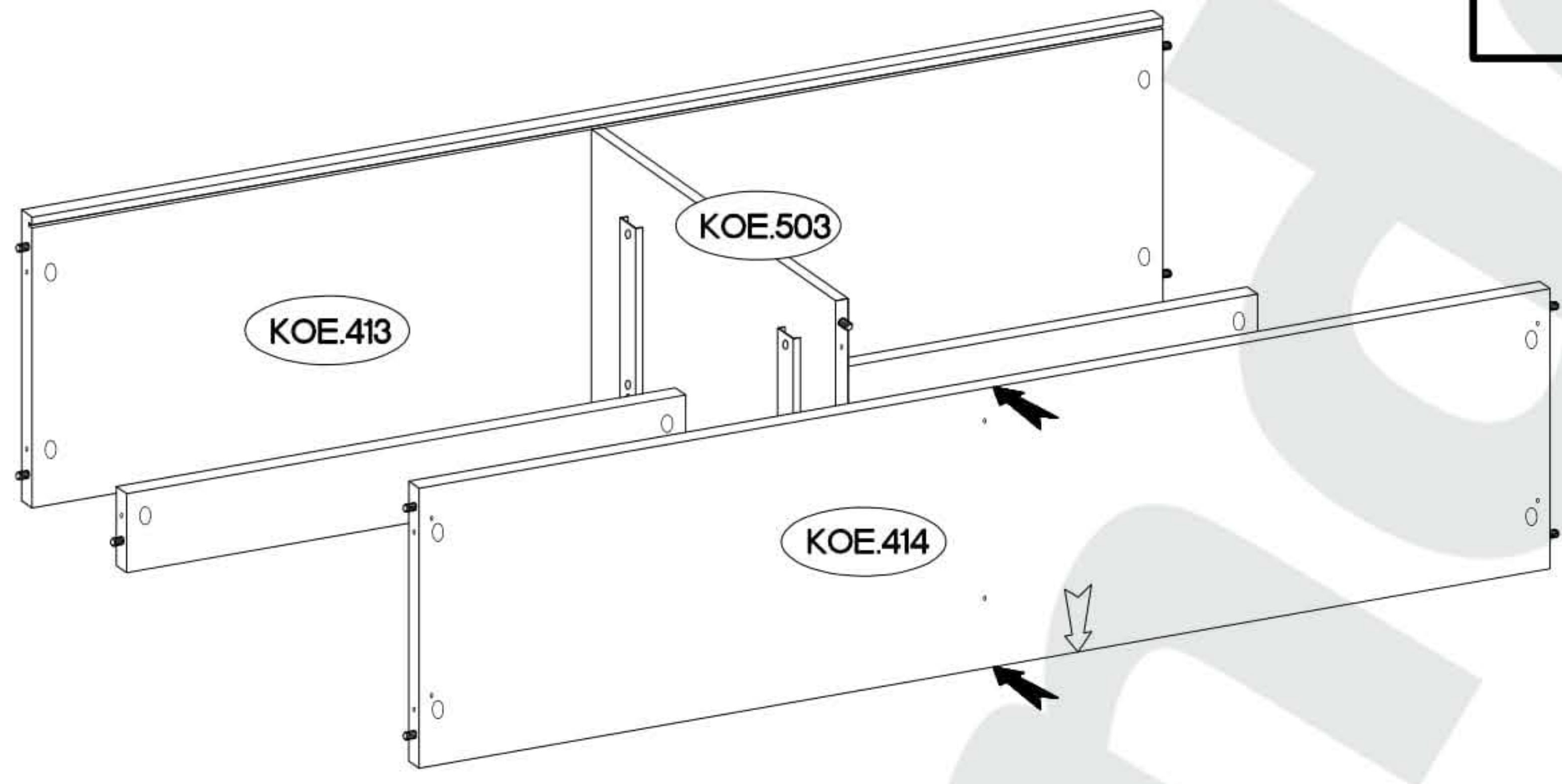
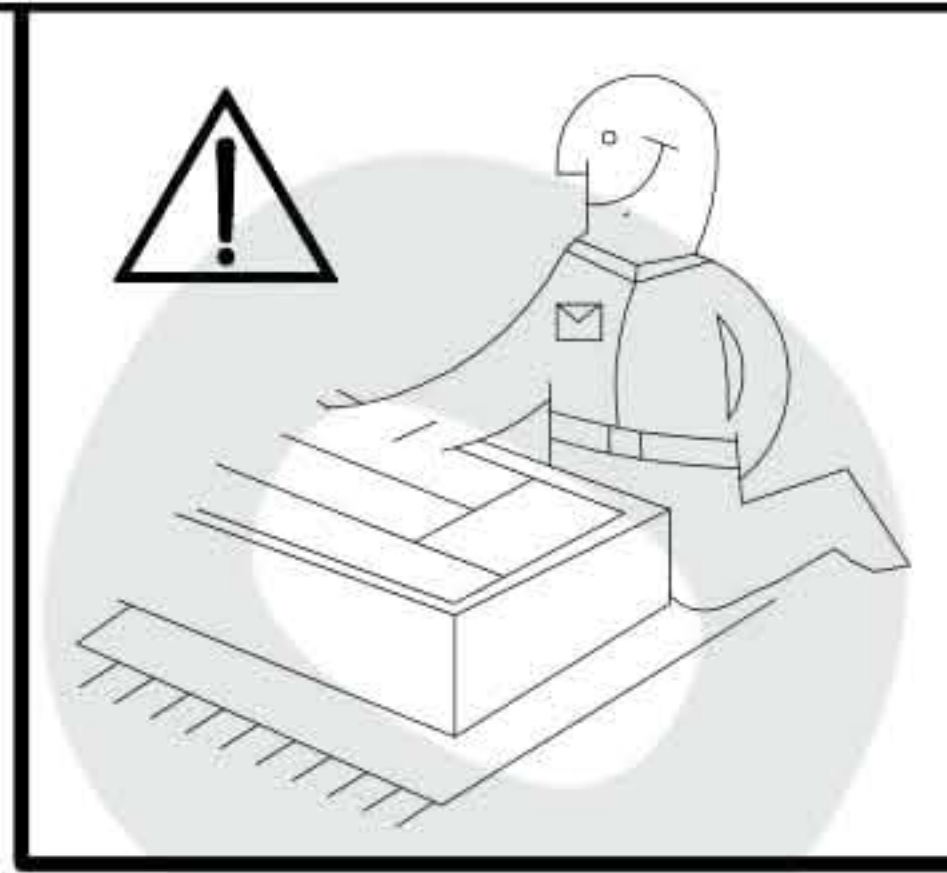



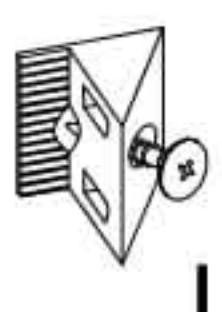
14

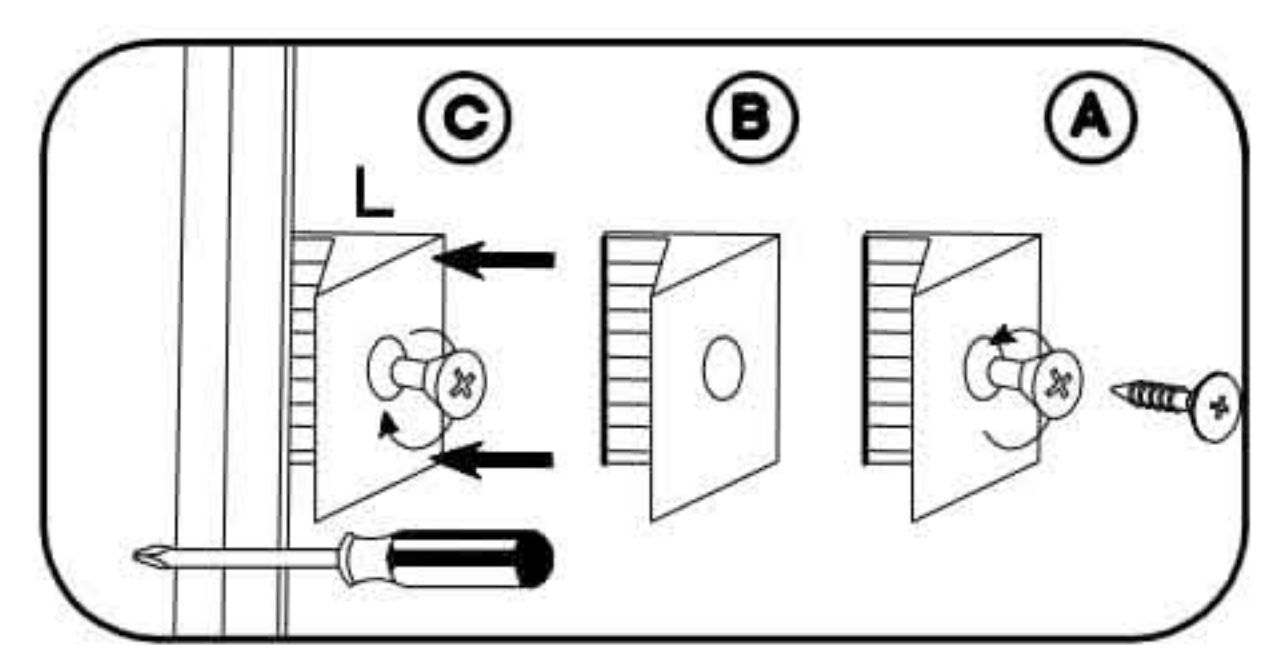
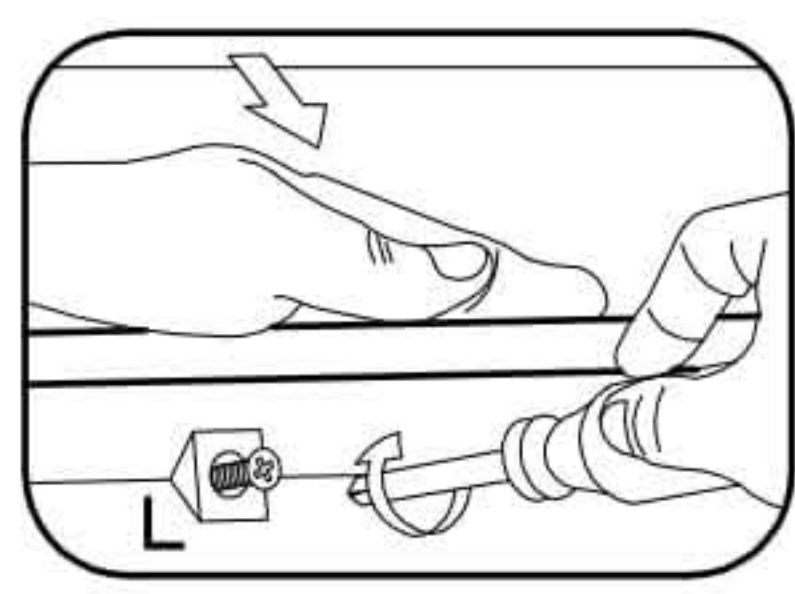
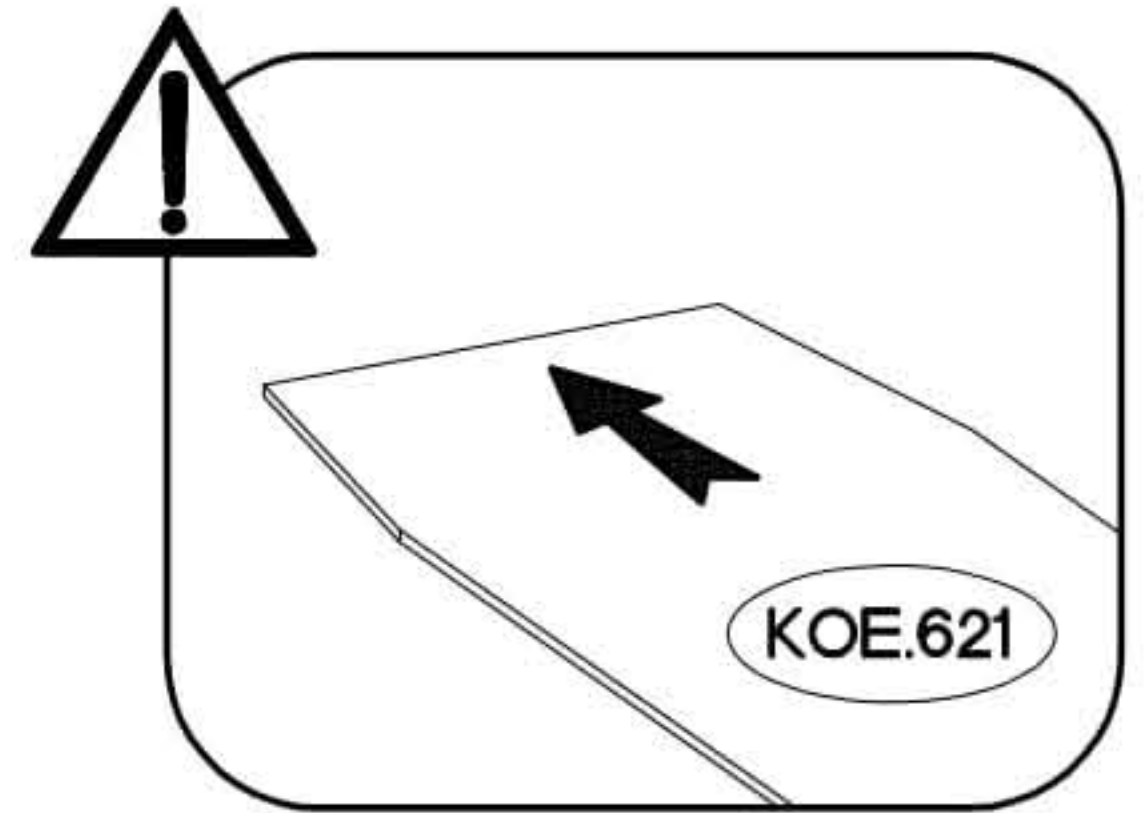
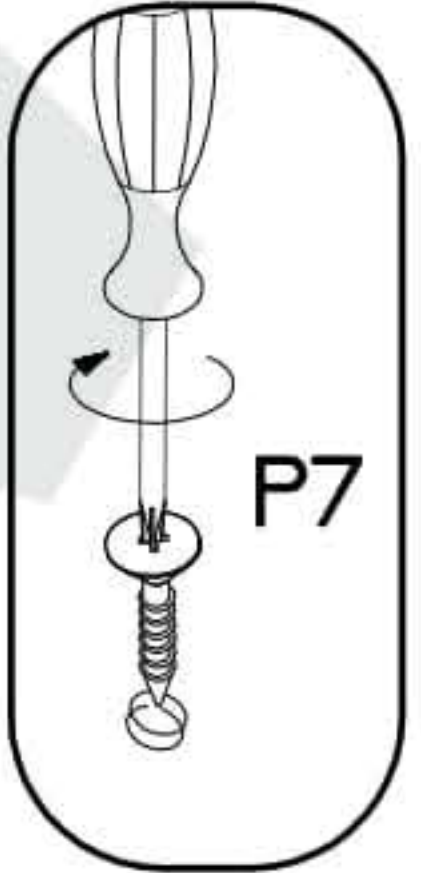
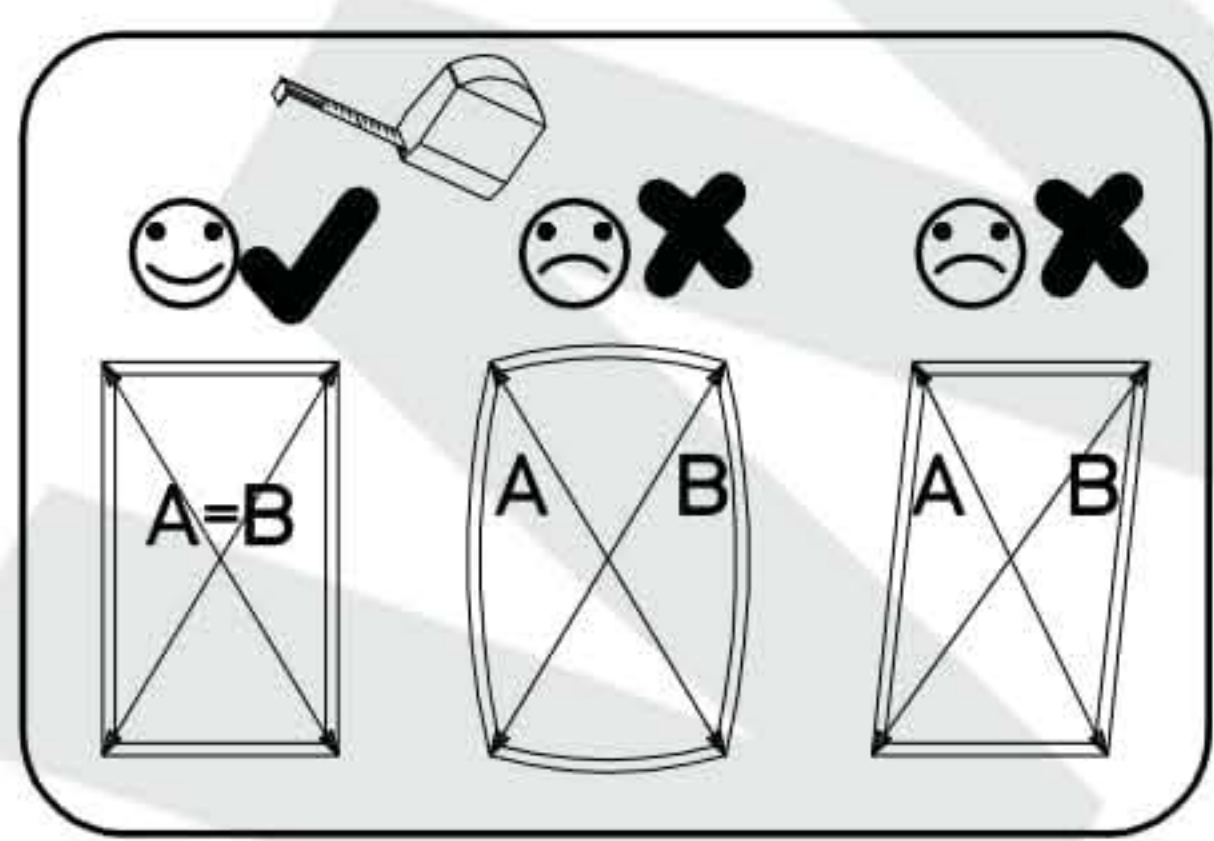
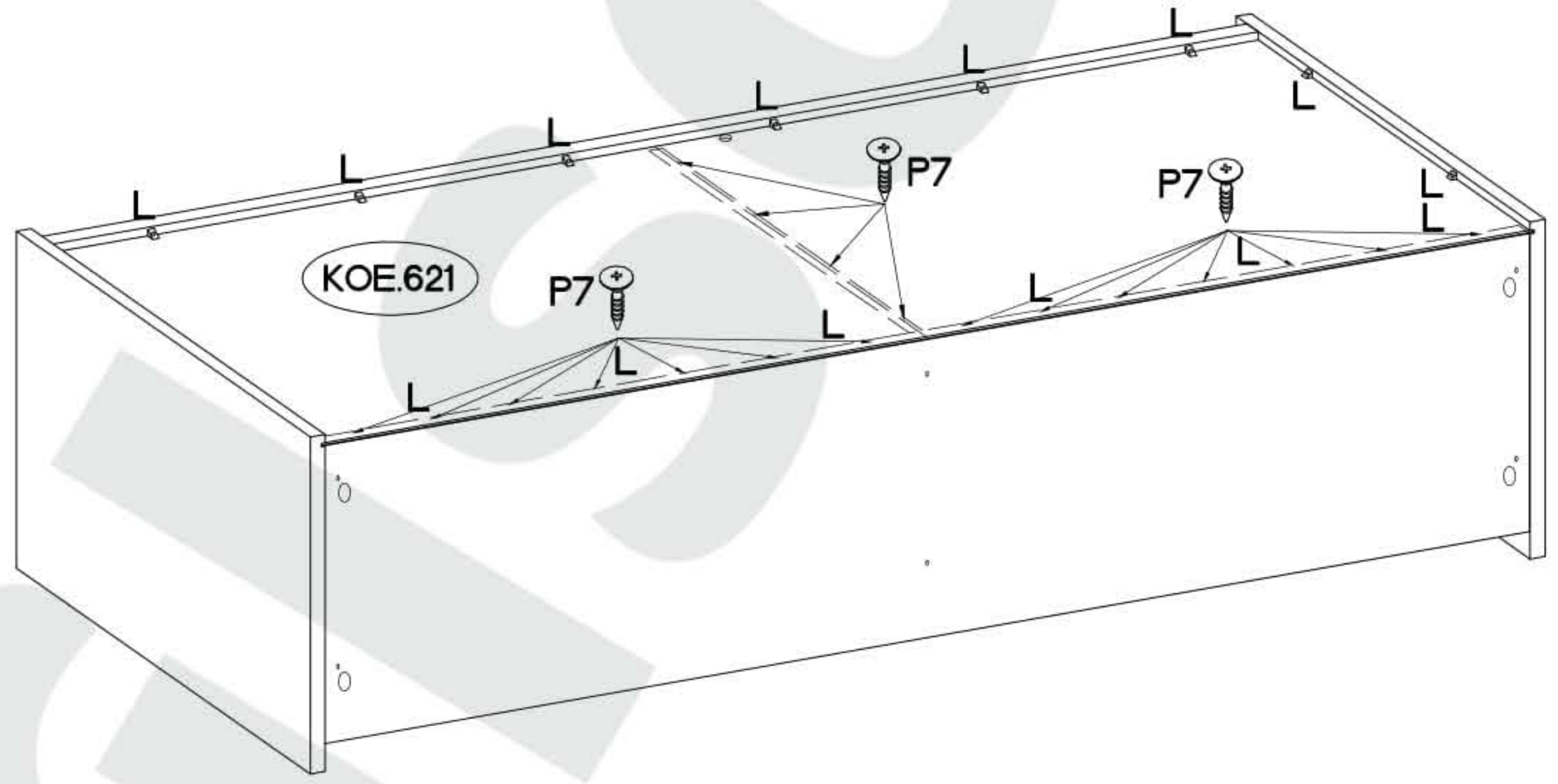
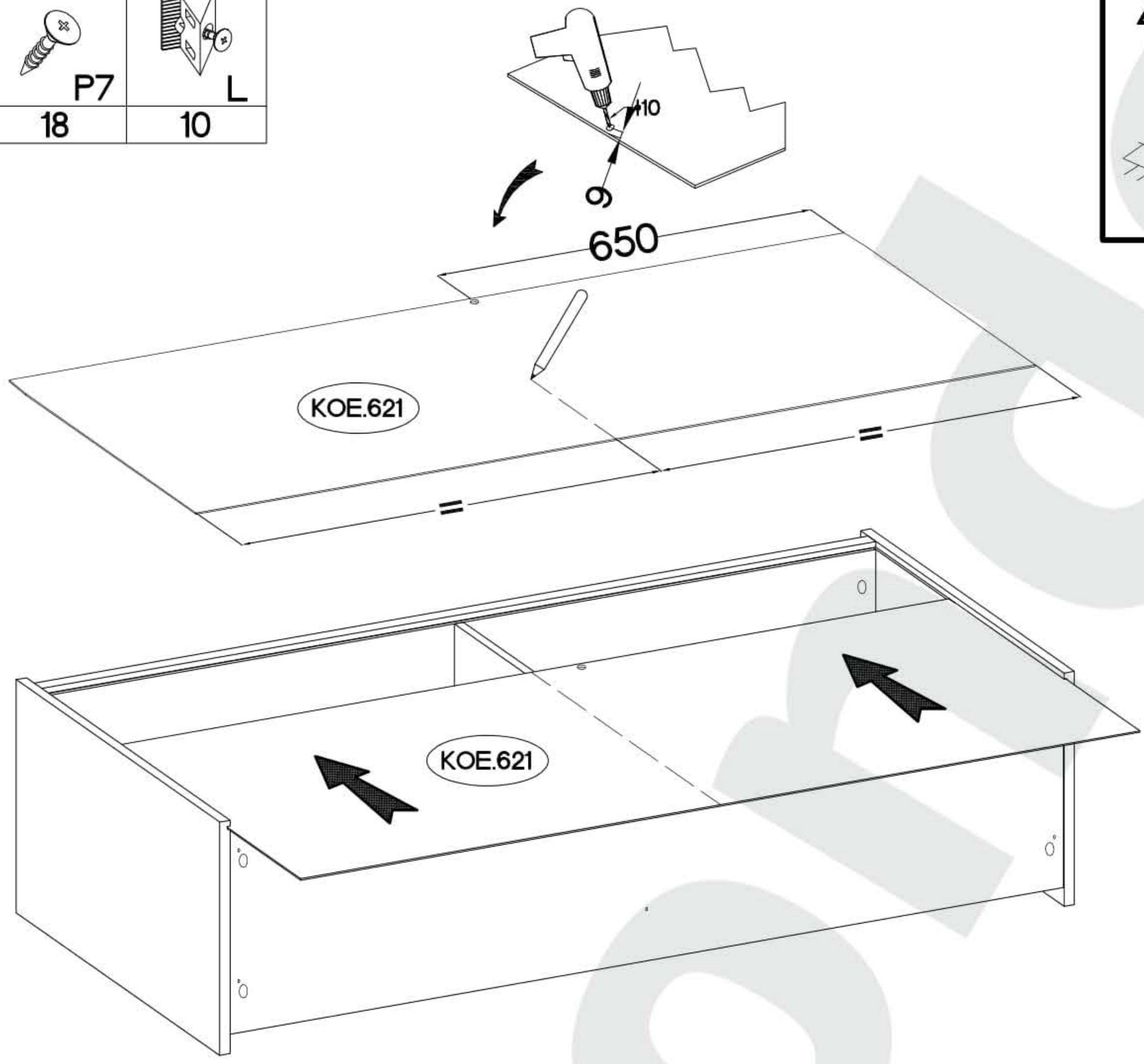
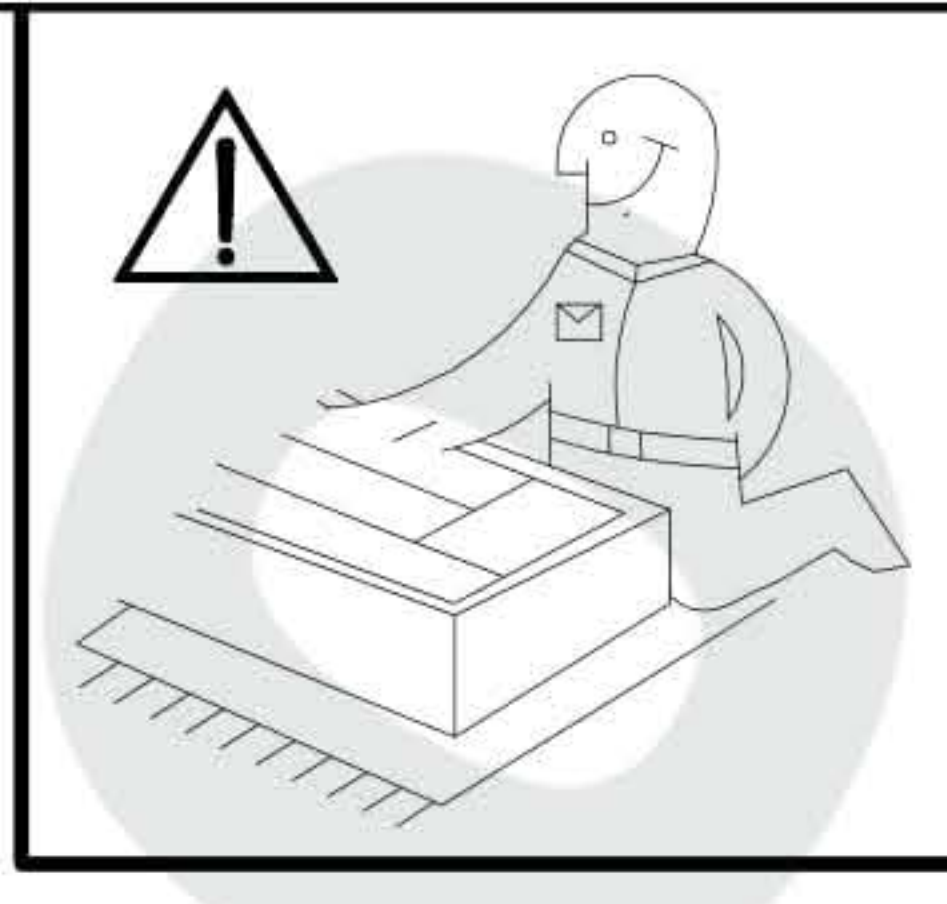


15






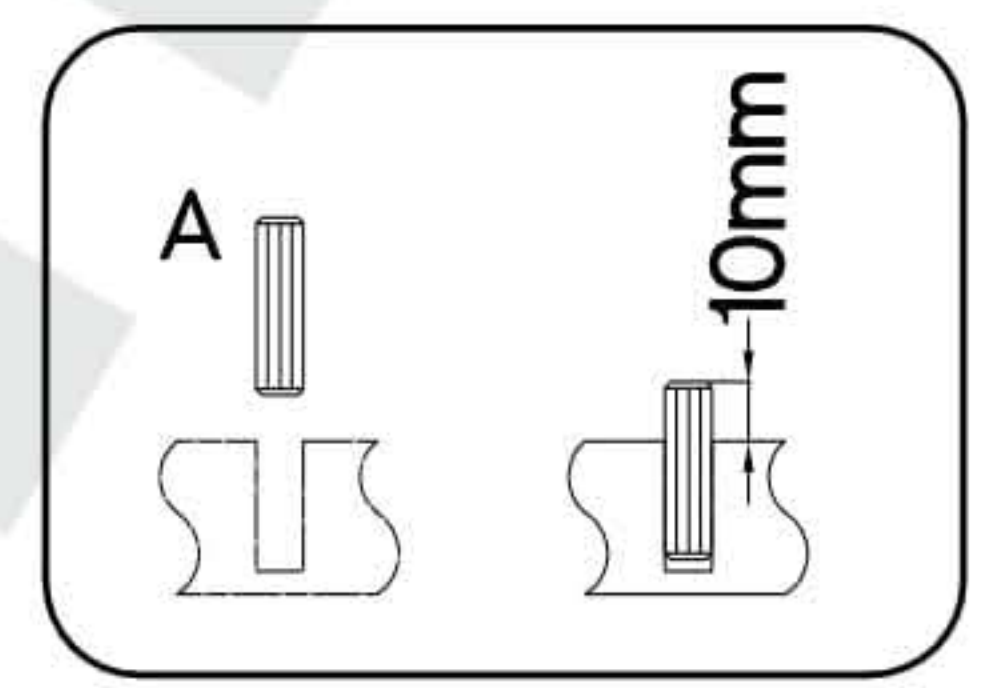
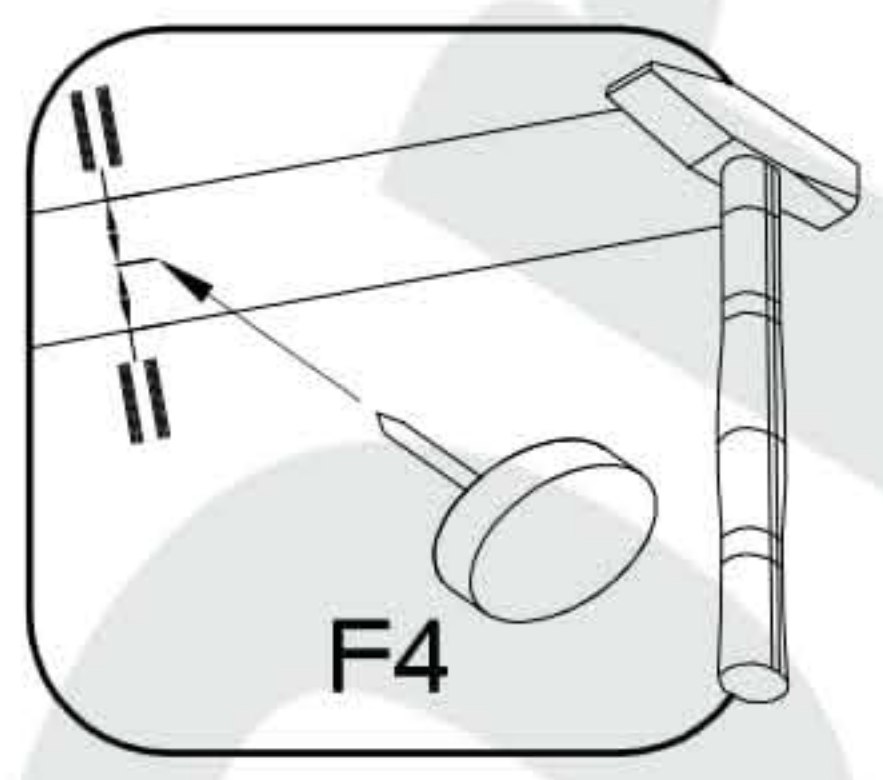
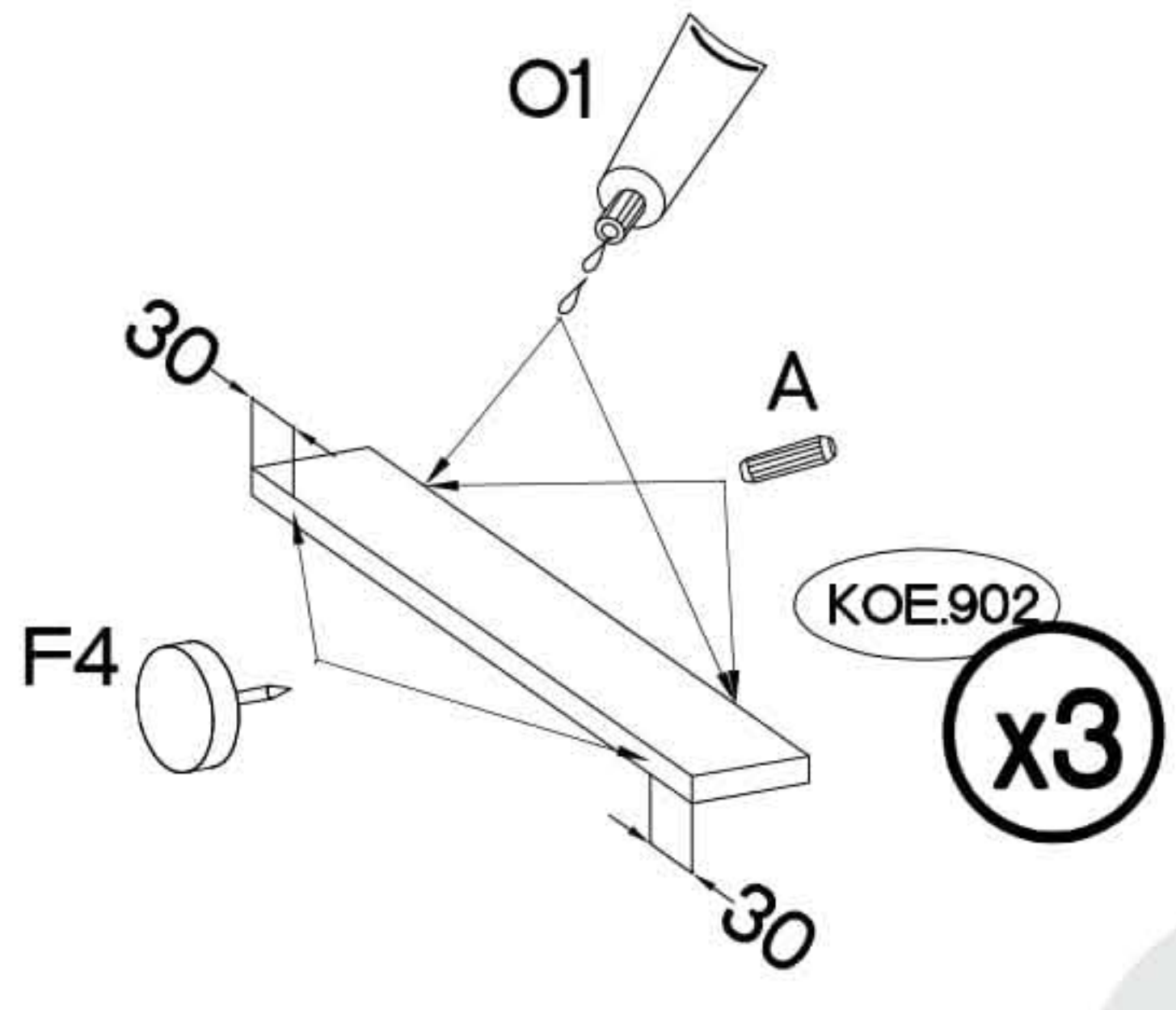


+3.0x20mm	
	
P7	L
18	10

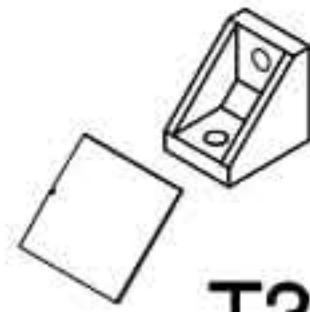



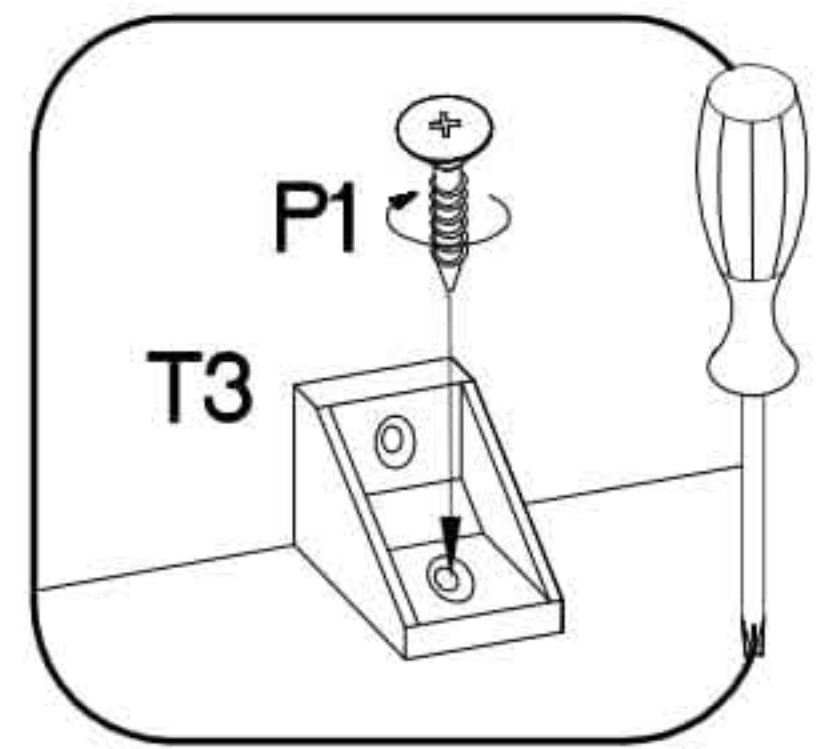
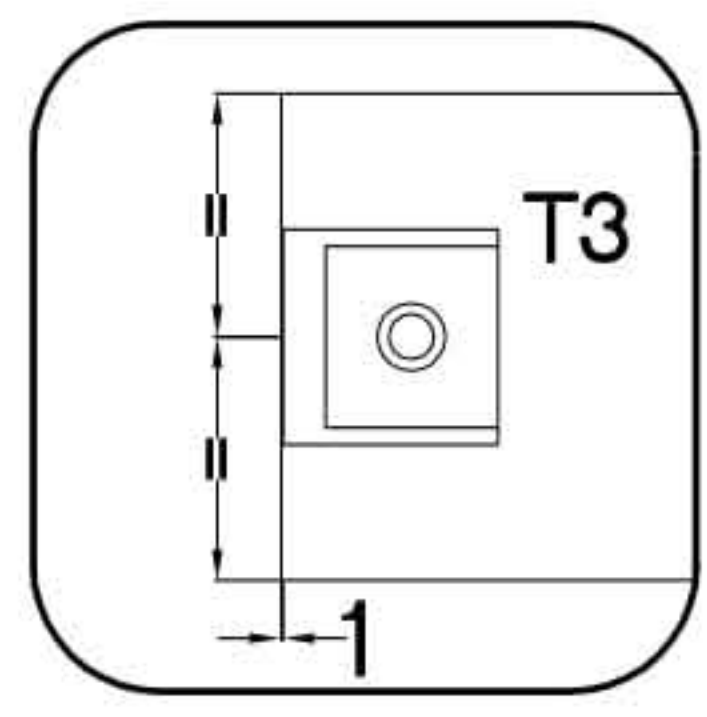
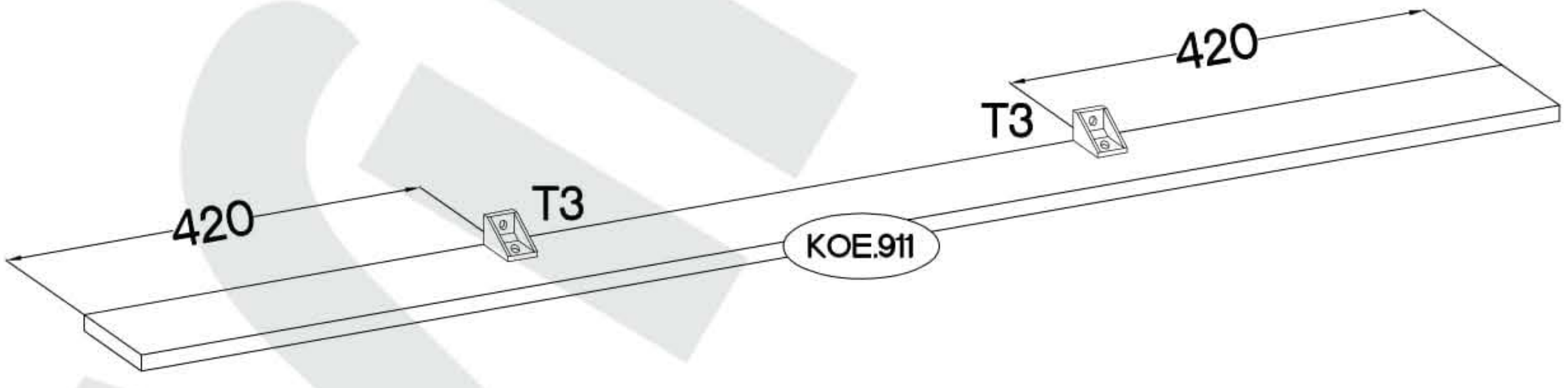
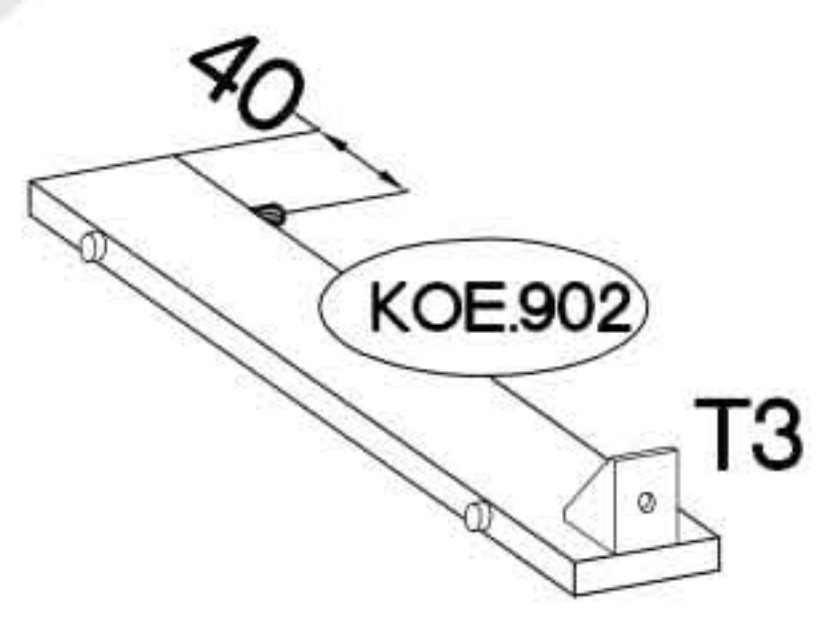
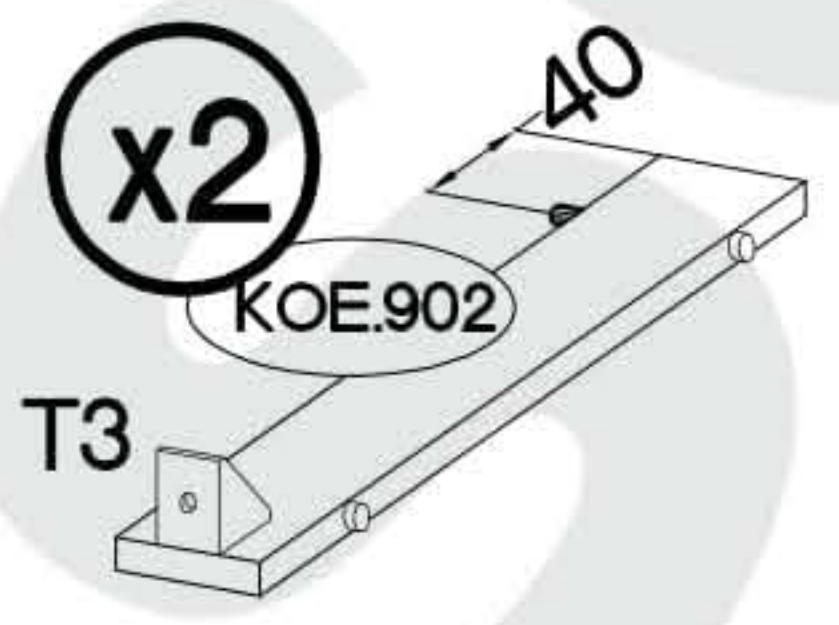
19

†15x5mm  F4 6	 O1 1	†8x30mm  A 6
--	---	---

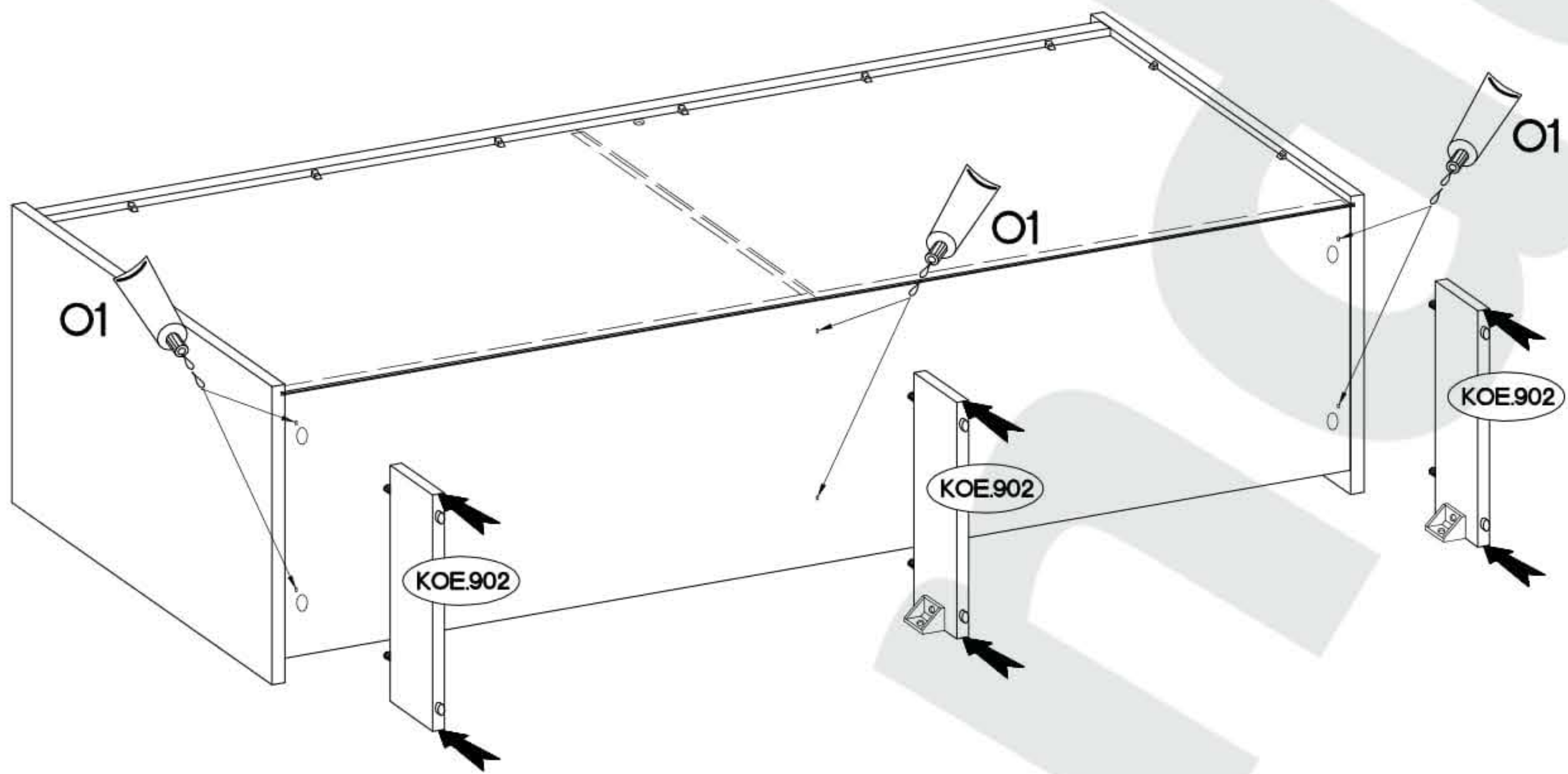
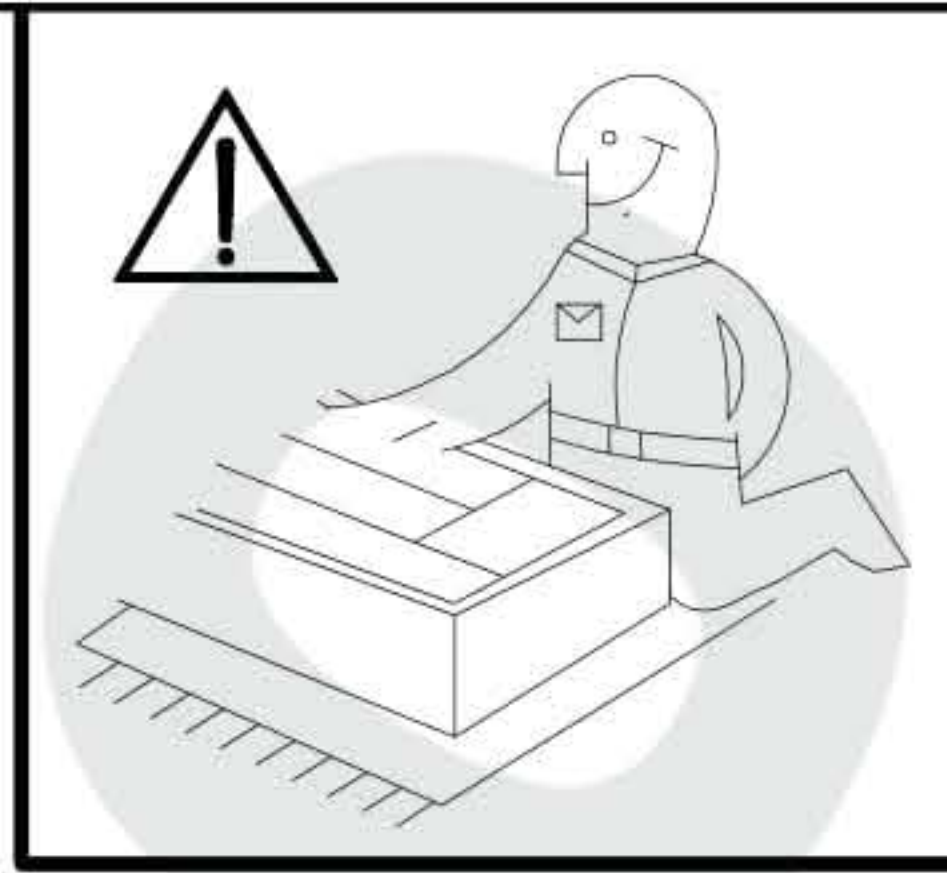
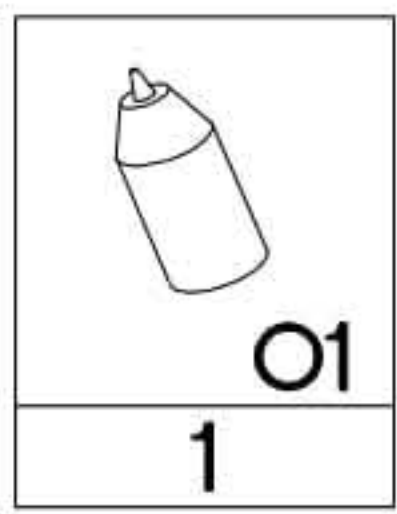


20

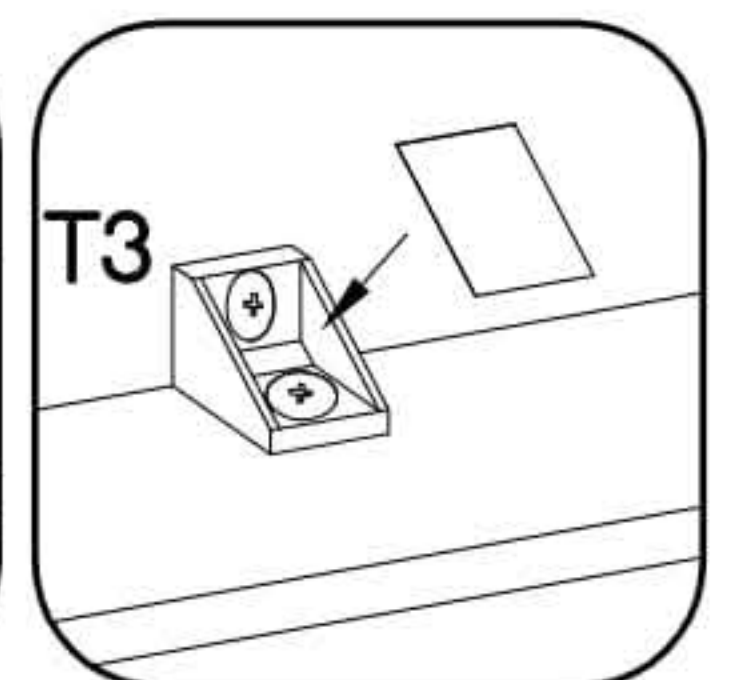
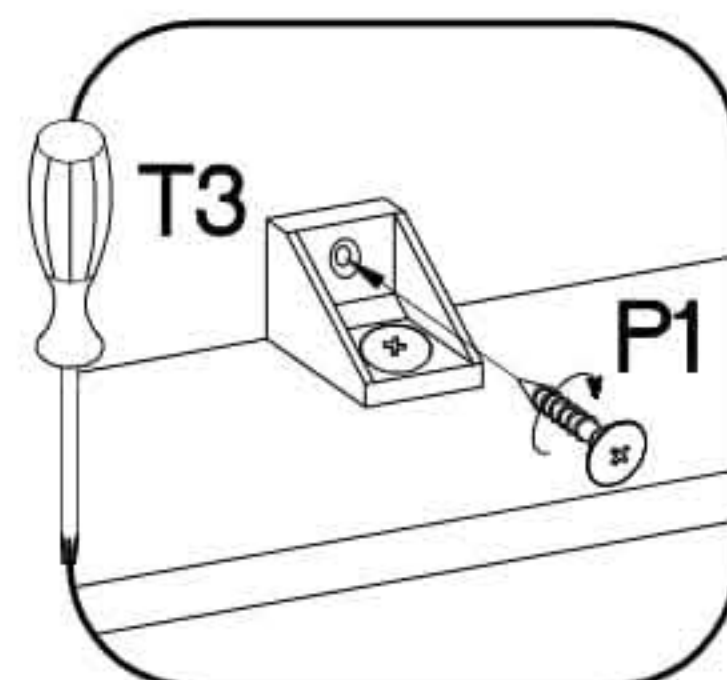
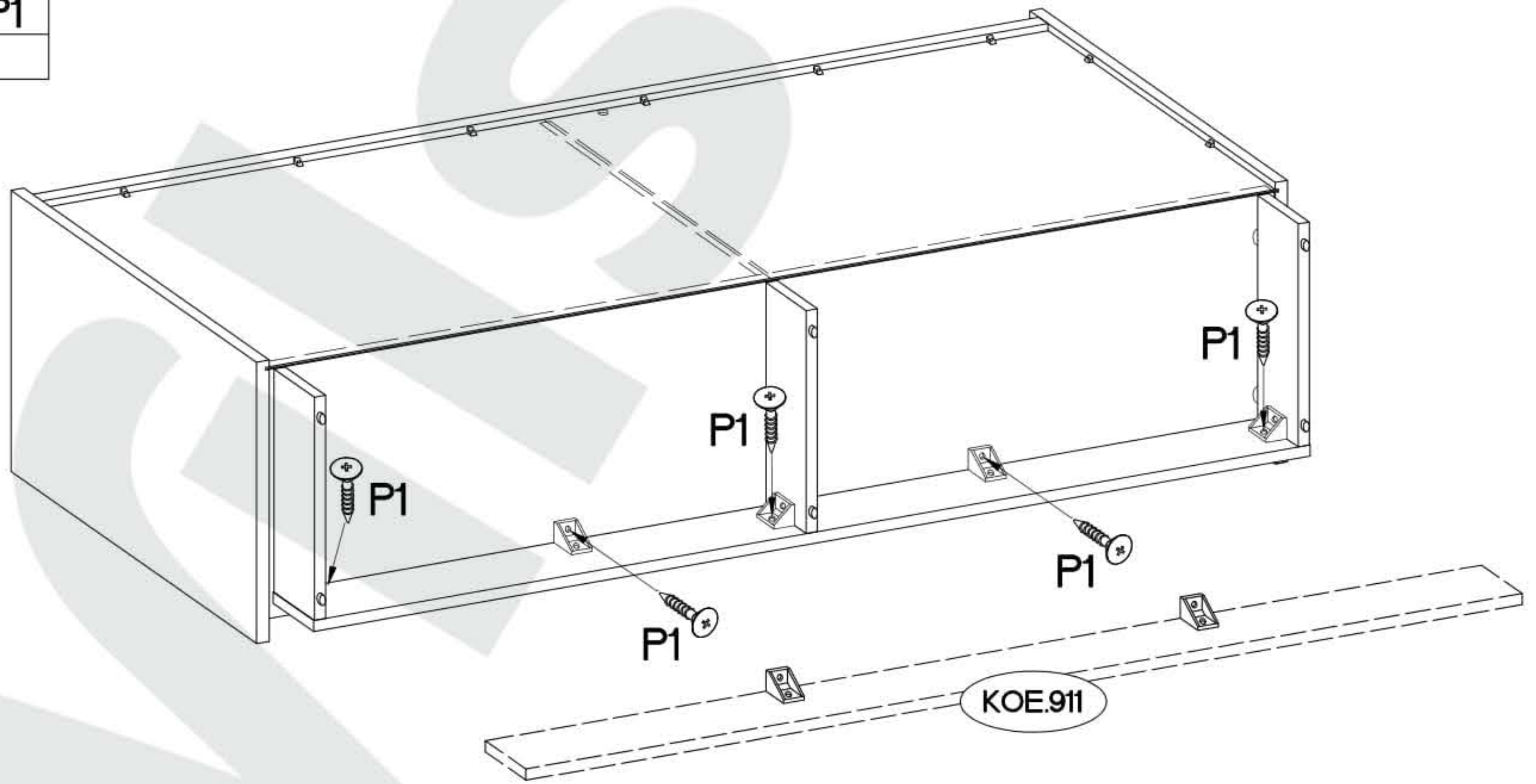
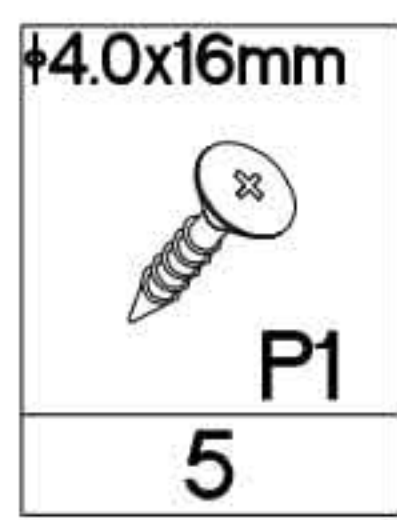
 T3 5	†4.0x16mm  P1 5
--	---






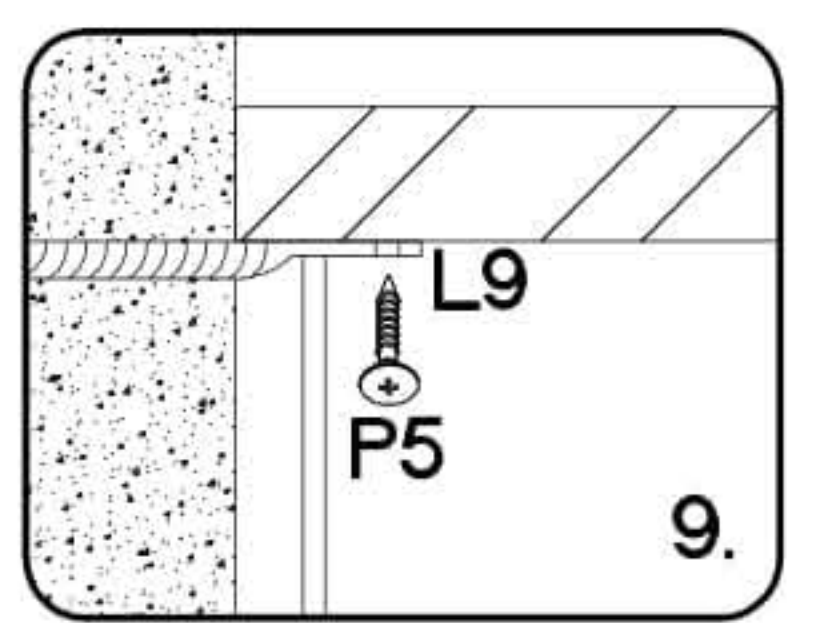
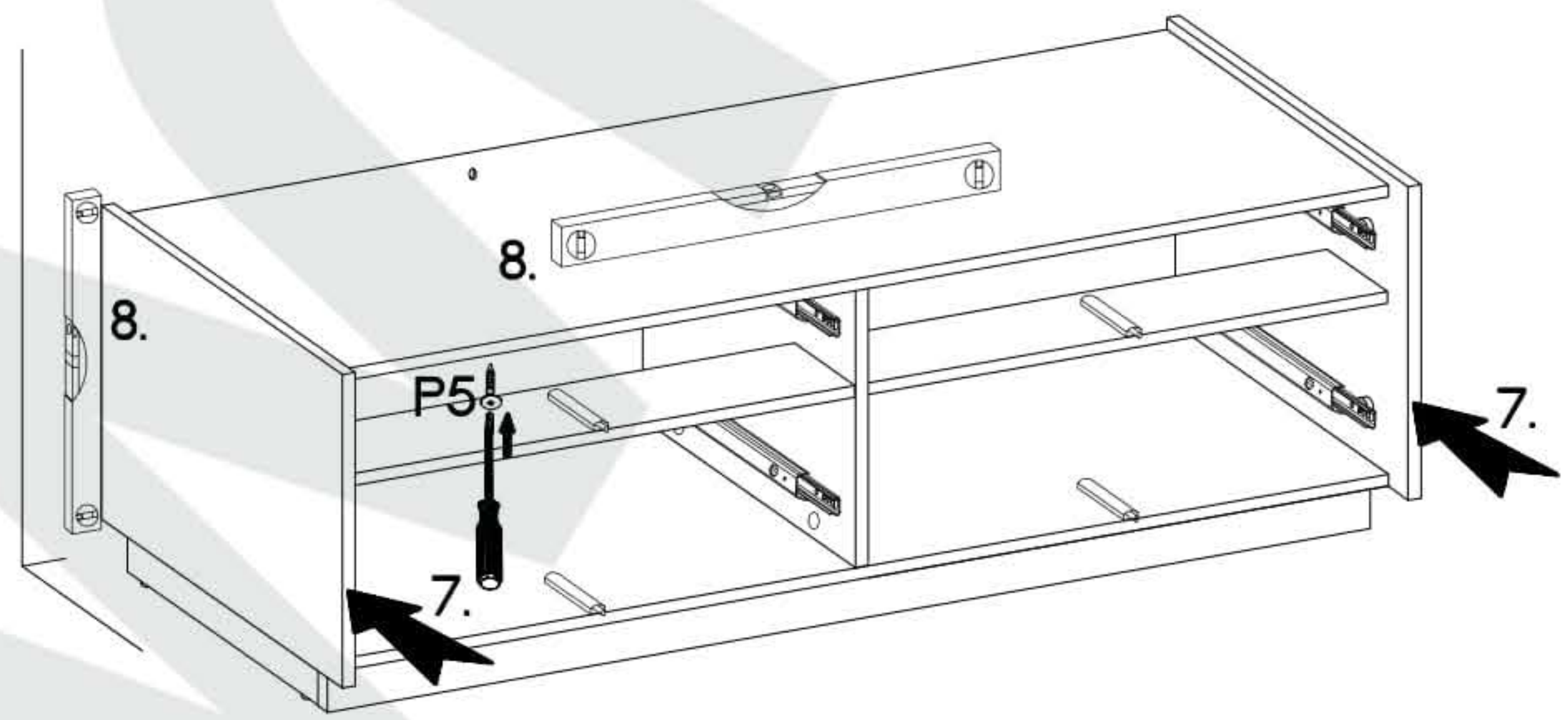
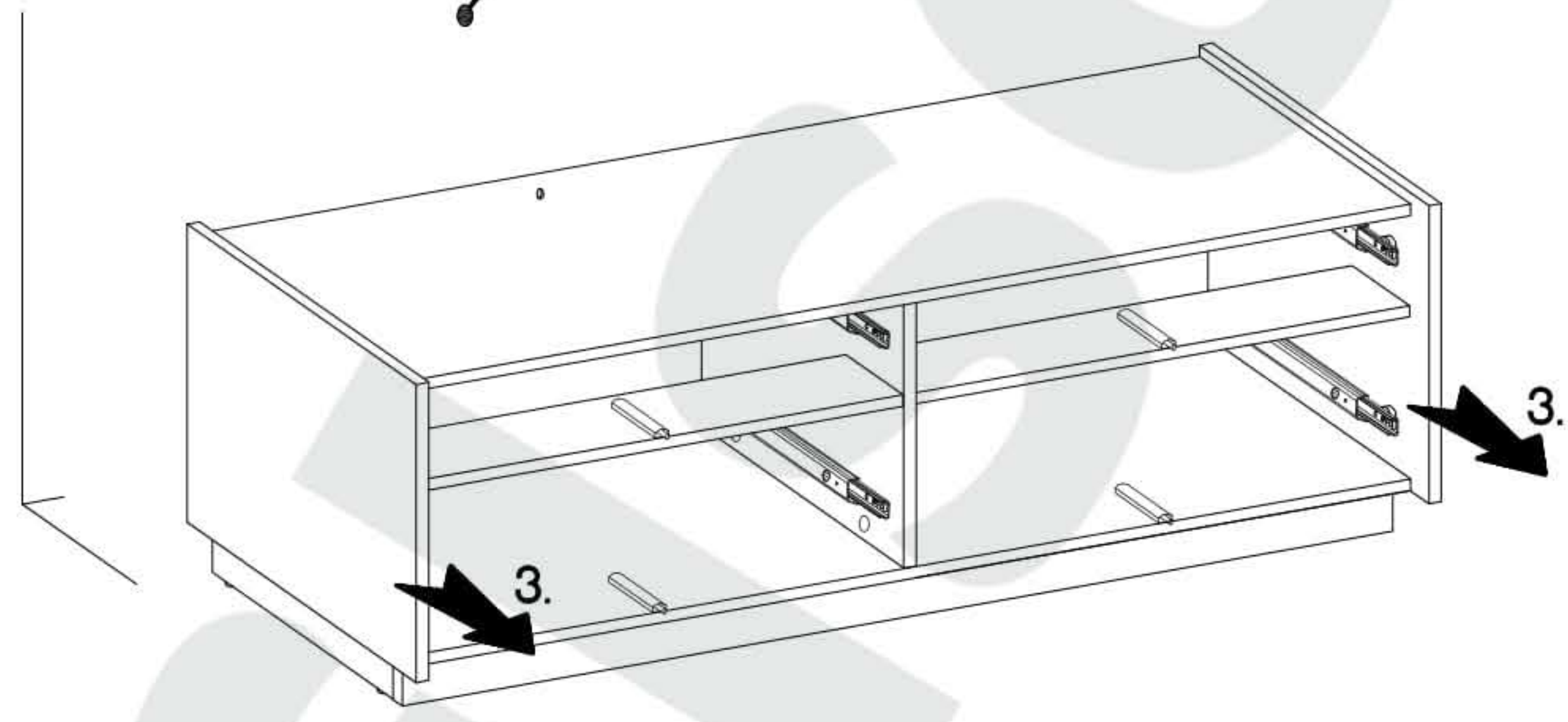
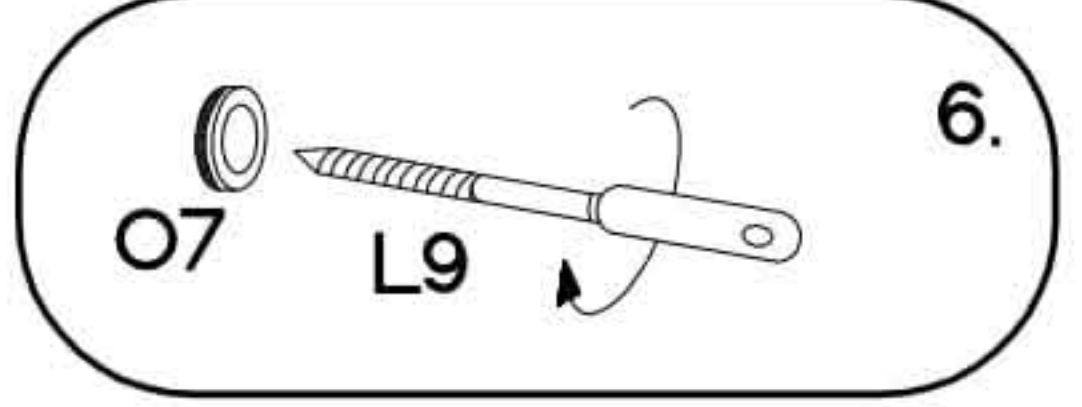
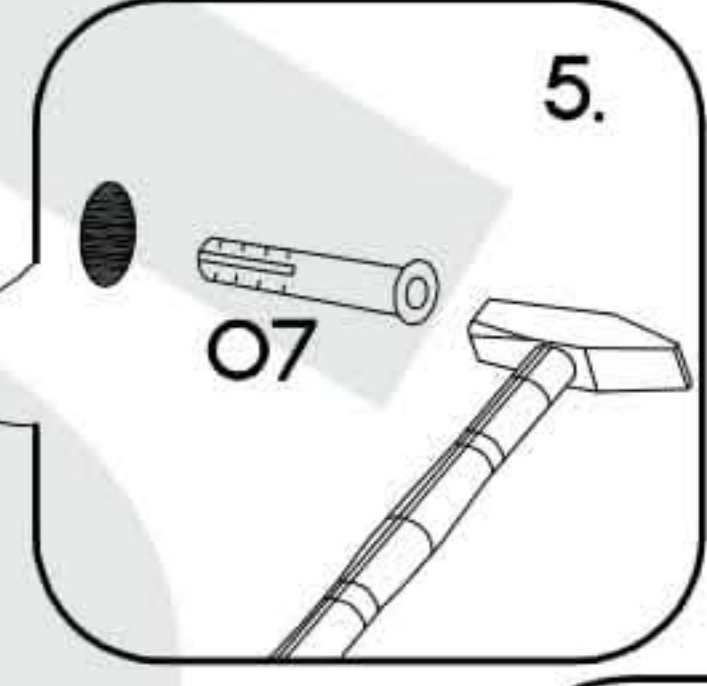
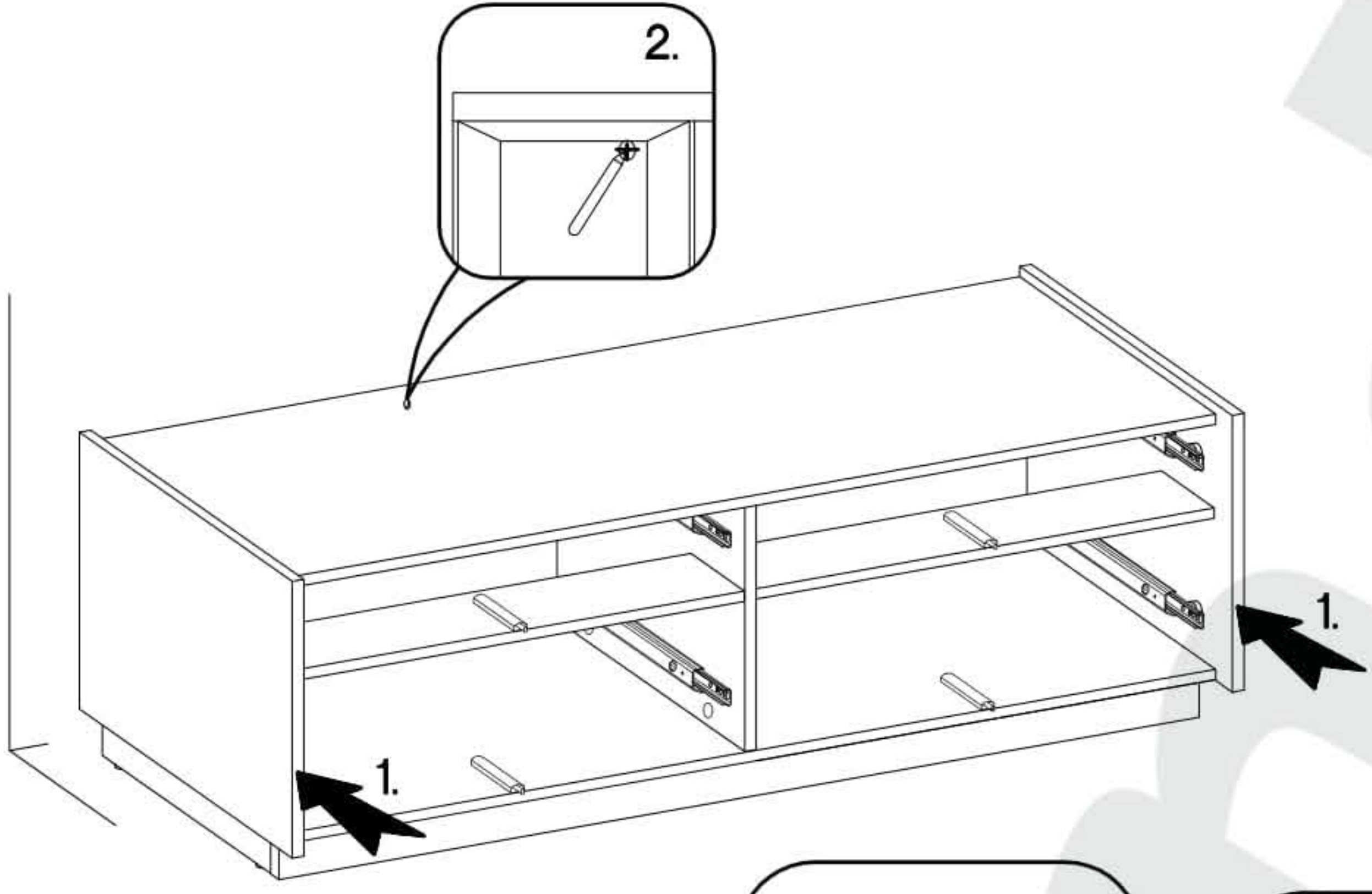
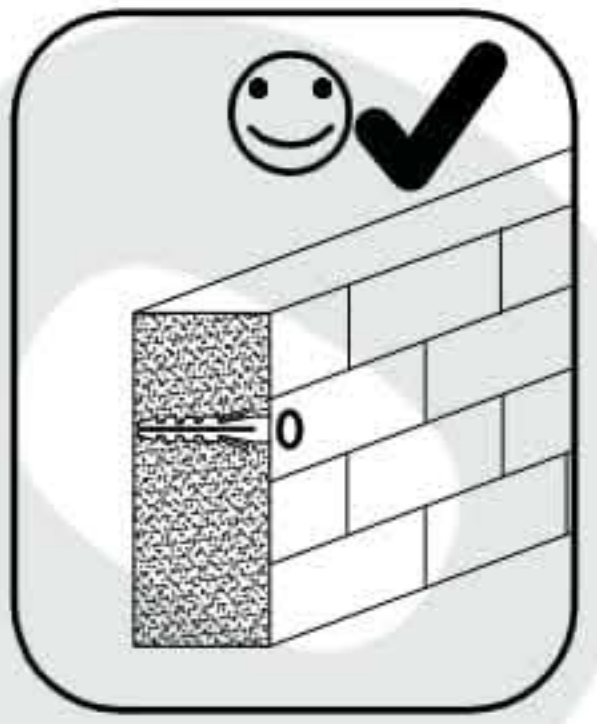
21



22



†10x50mm  <b>O7</b> 1	†3.5x13mm  <b>L9</b> 1	†3.5x13mm  <b>P5</b> 1
--	---	---



M4x9mm  
U1  
8

