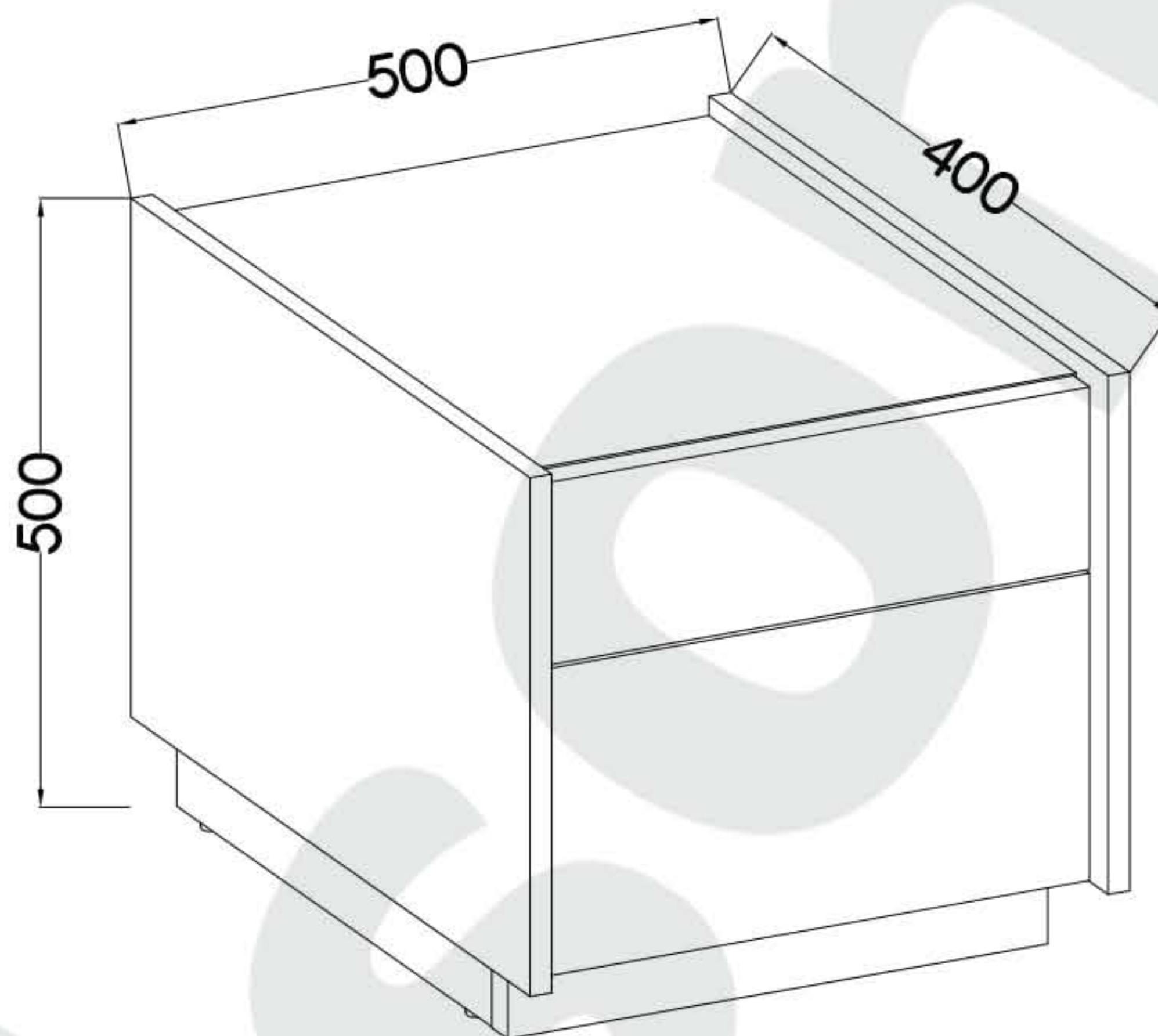
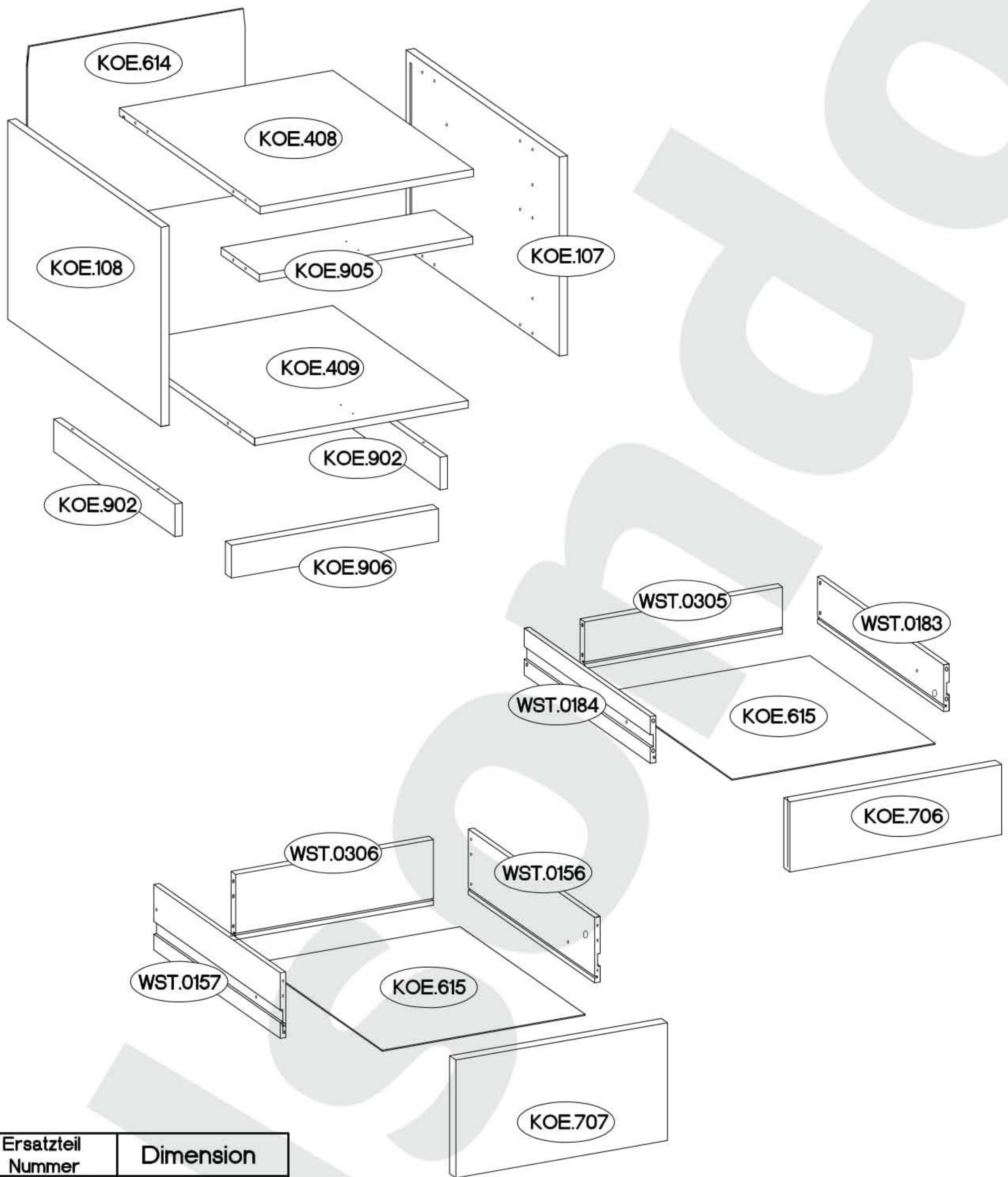


TYP 801



<p>†8x30mm A 26</p>	<p>†6x42mm B2 4</p>	<p>†15/12mm C 10</p>	<p>†12/10mm C5 4</p>	<p>L=20mm D2 14</p>	<p>†15x5mm F4 4</p>	<p>27/310mm I4 2</p>	<p>L 10</p>	<p>L9 1</p>	<p>L33 2</p>	<p>†6,3x13mm M2 8</p>	<p>O1 1</p>	<p>†10x50mm O7 1</p>	<p>†4.0x16mm P1 6</p>	<p>†3.5x13mm P5 5</p>	<p>†3.0x20mm P7 4</p>	<p>T3 3</p>	<p>M4x9mm U1 4</p>
-----------------------------	-----------------------------	------------------------------	------------------------------	-----------------------------	-----------------------------	------------------------------	-----------------	-----------------	------------------	-------------------------------	-----------------	------------------------------	-------------------------------	-------------------------------	-------------------------------	-----------------	----------------------------

ISM-KOE-005



	Ersatzteil Nummer	Dimension
	KOE.107	426x400x18
	KOE.108	426x400x18
	KOE.408	464x368x16
	KOE.409	464x354x16
	KOE.905	464x100x16
	KOE.906	450x70x16
	KOE.902 x2	317x70x16
	KOE.614	396x473x2,5
	KOE.615 x2	441x327x2,5
	WST.0183	330x100x12
	WST.0184	330x100x12
	WST.0305	430x100x12
	WST.0156	330x140x12
	WST.0157	330x140x12
	WST.0306	430x140x12
	KOE.706	460x150x16
	KOE.707	460x252x16

1/1


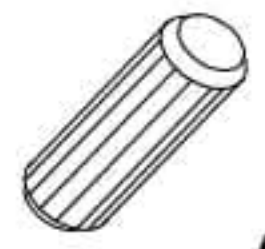


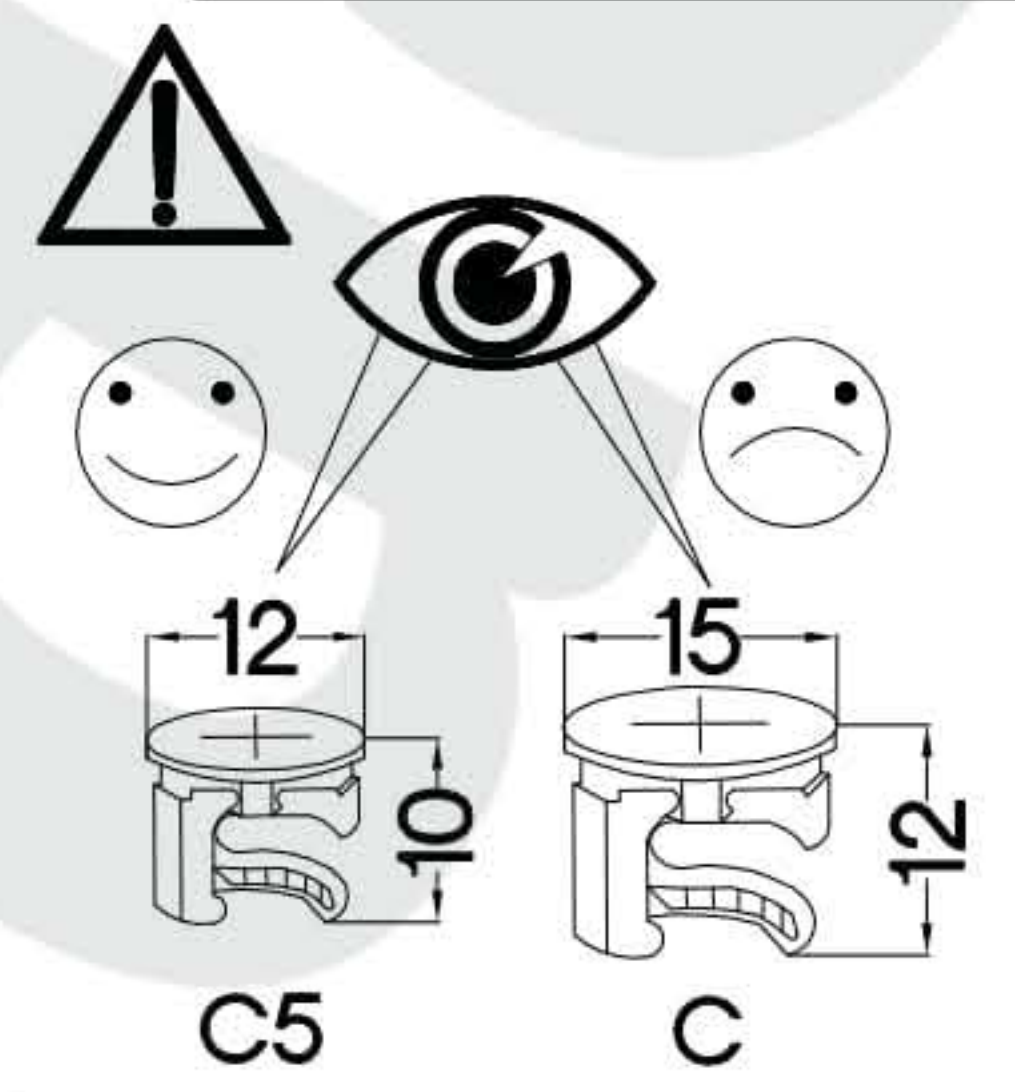
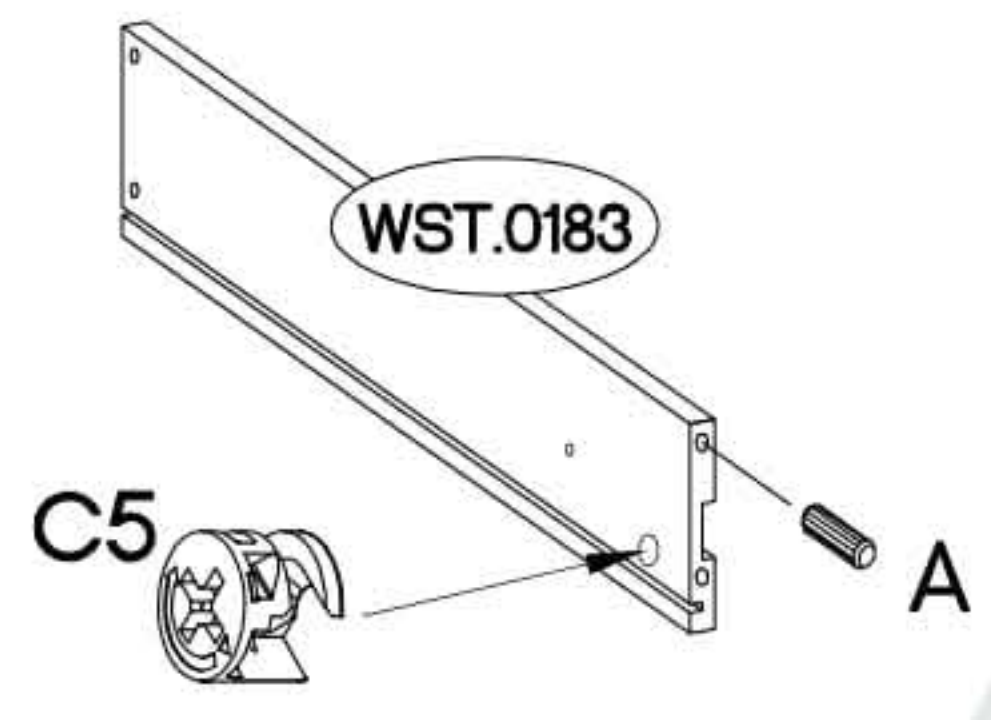
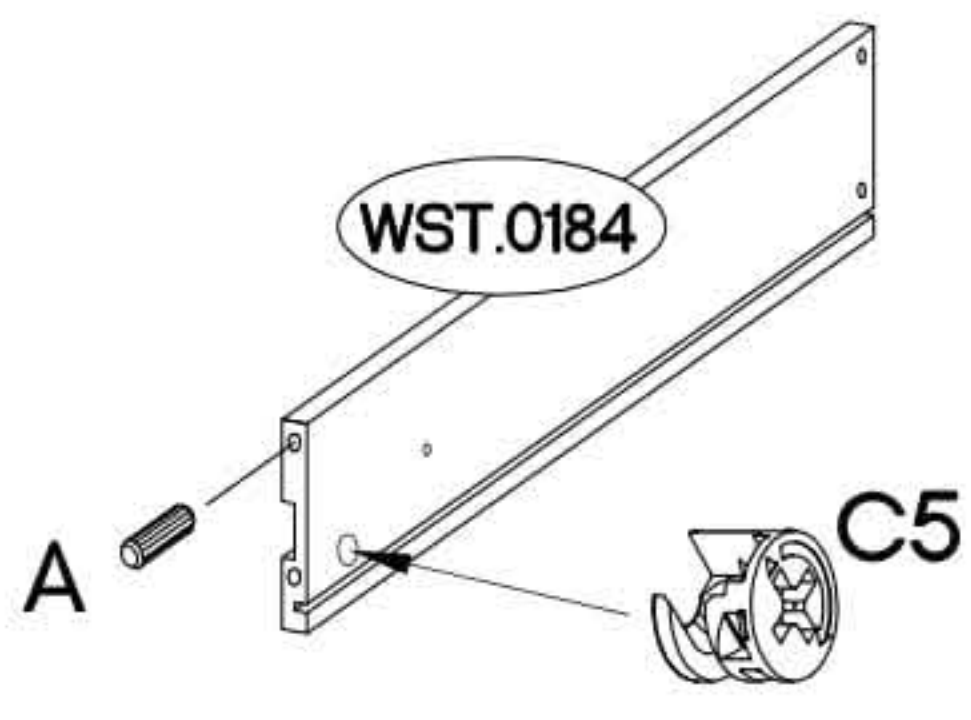
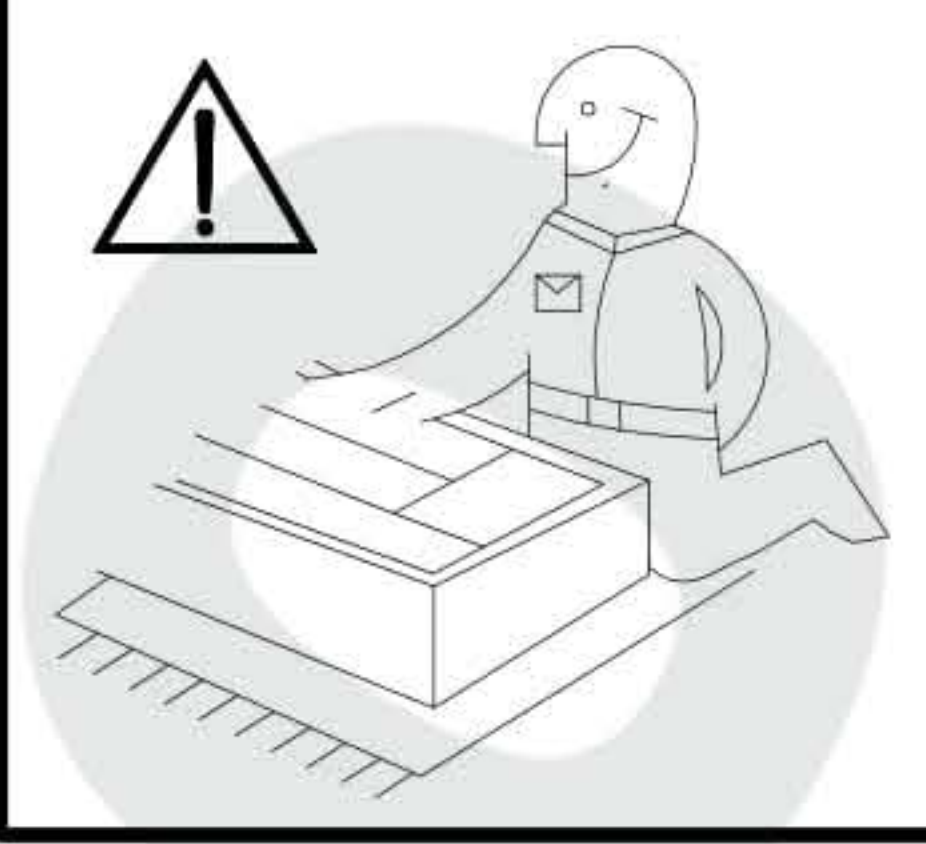
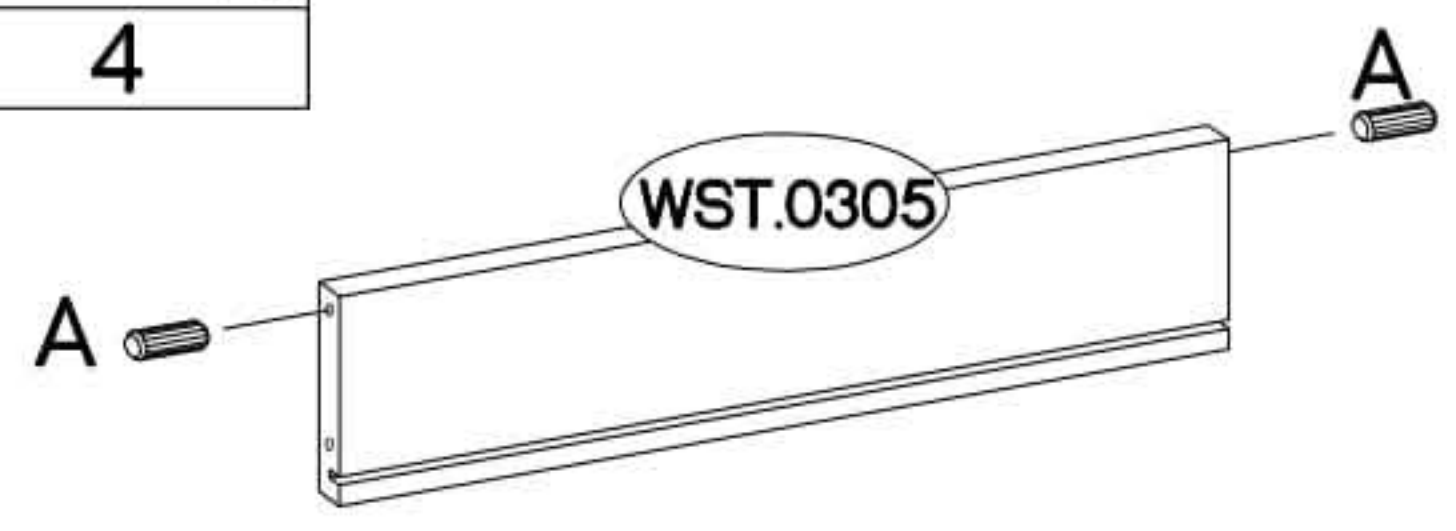
KOE.408



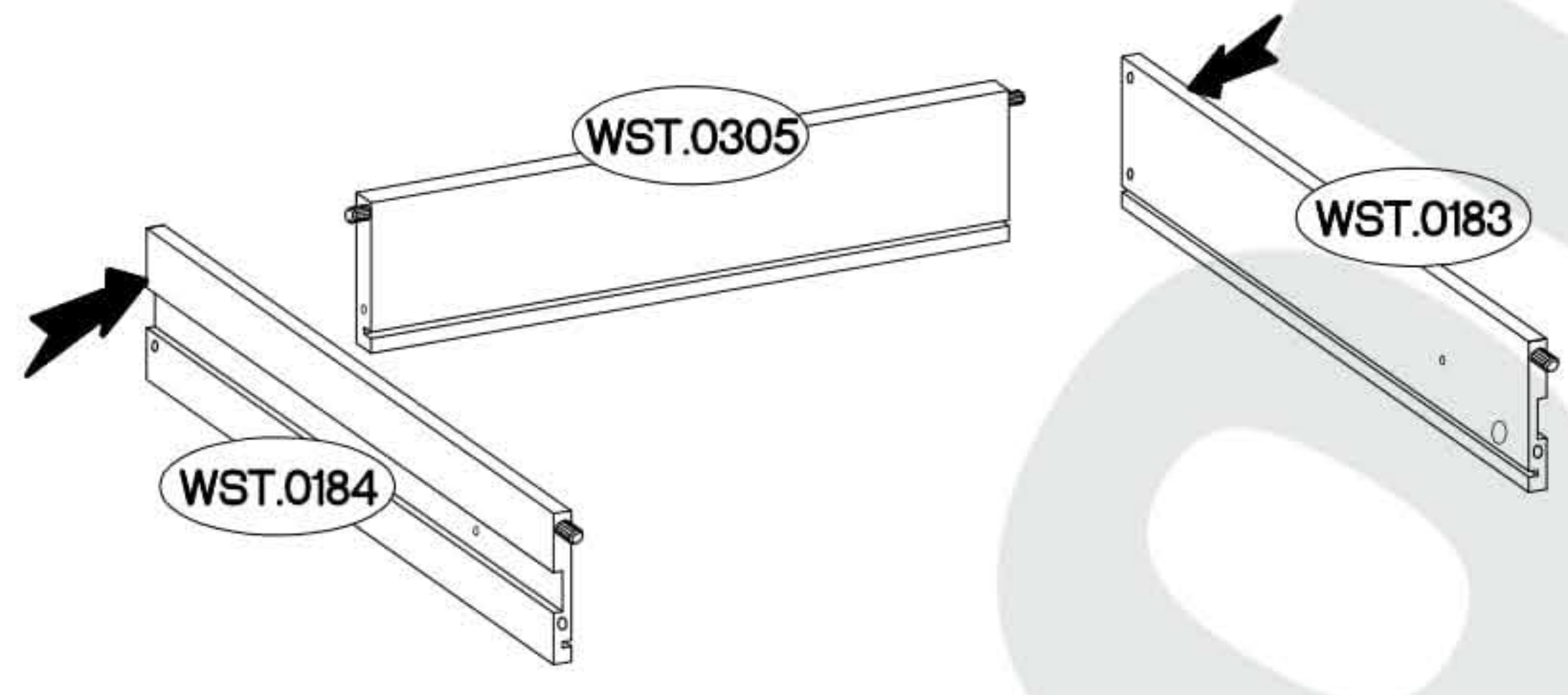
KOE.605

1

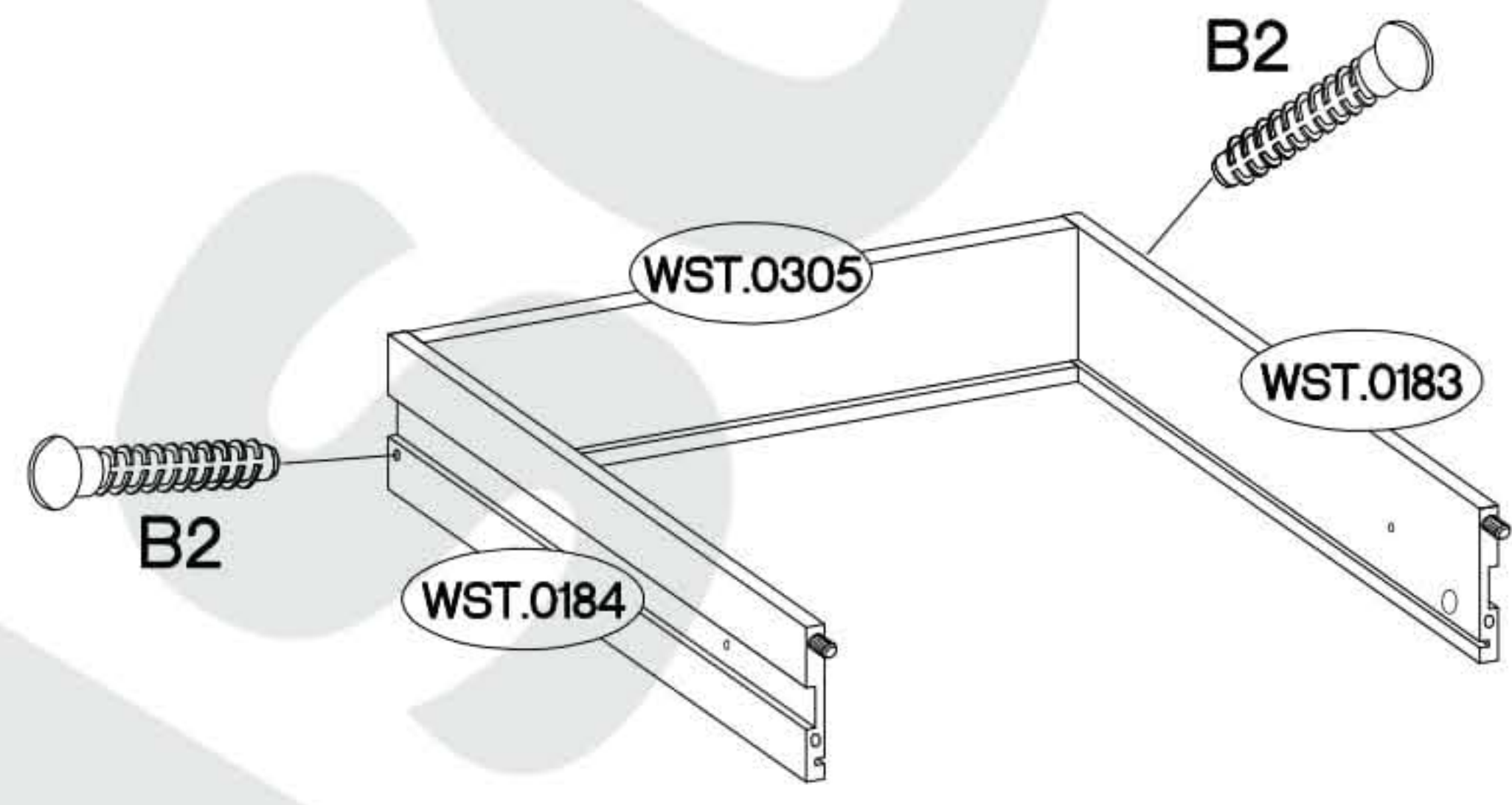
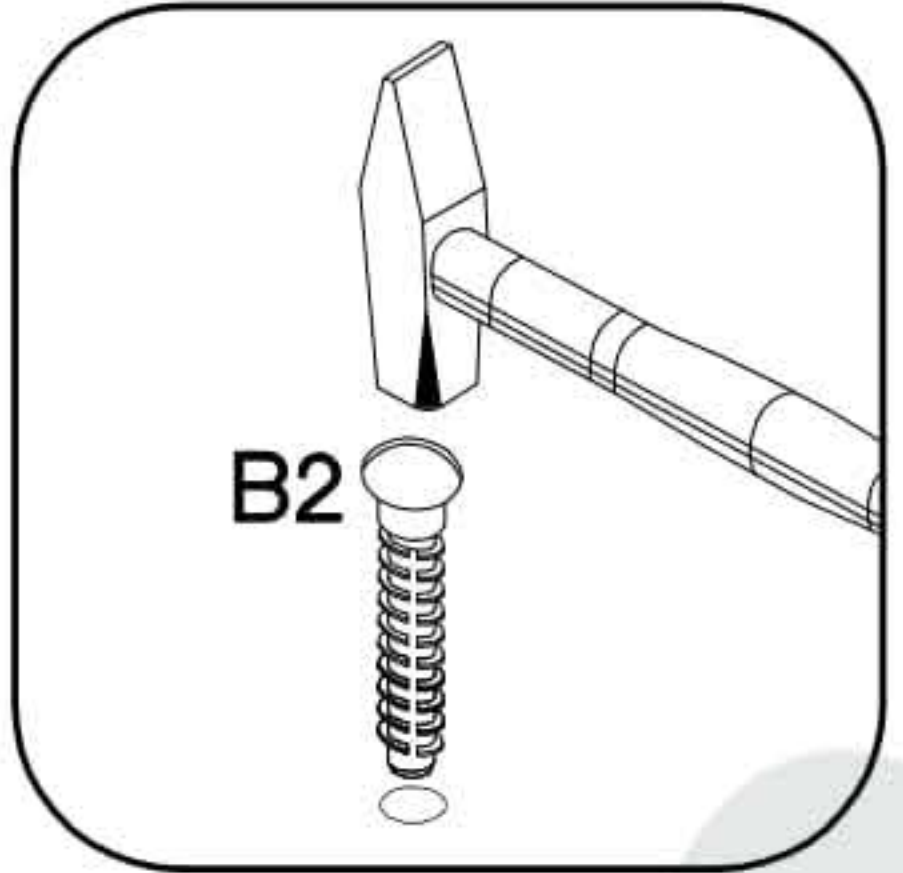
±12/10mm  C5 2	±8x30mm  A 4
---	---




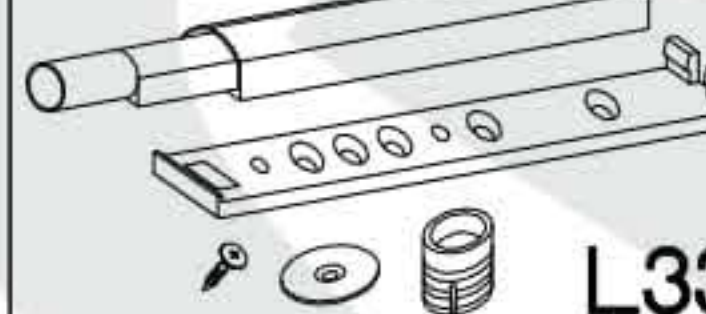
2

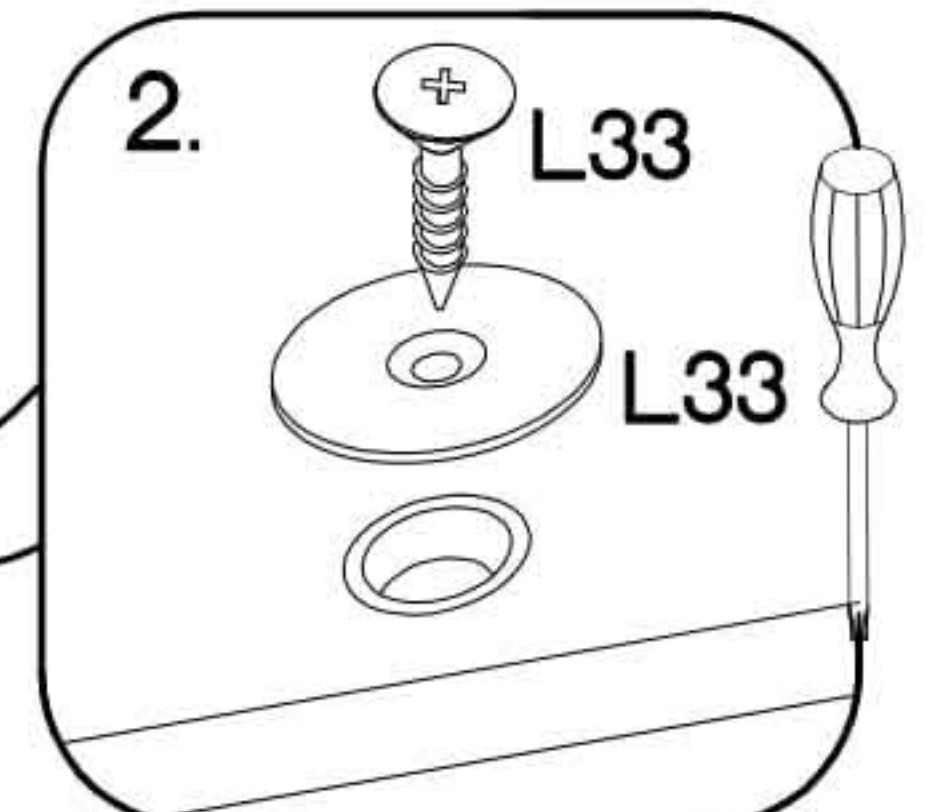
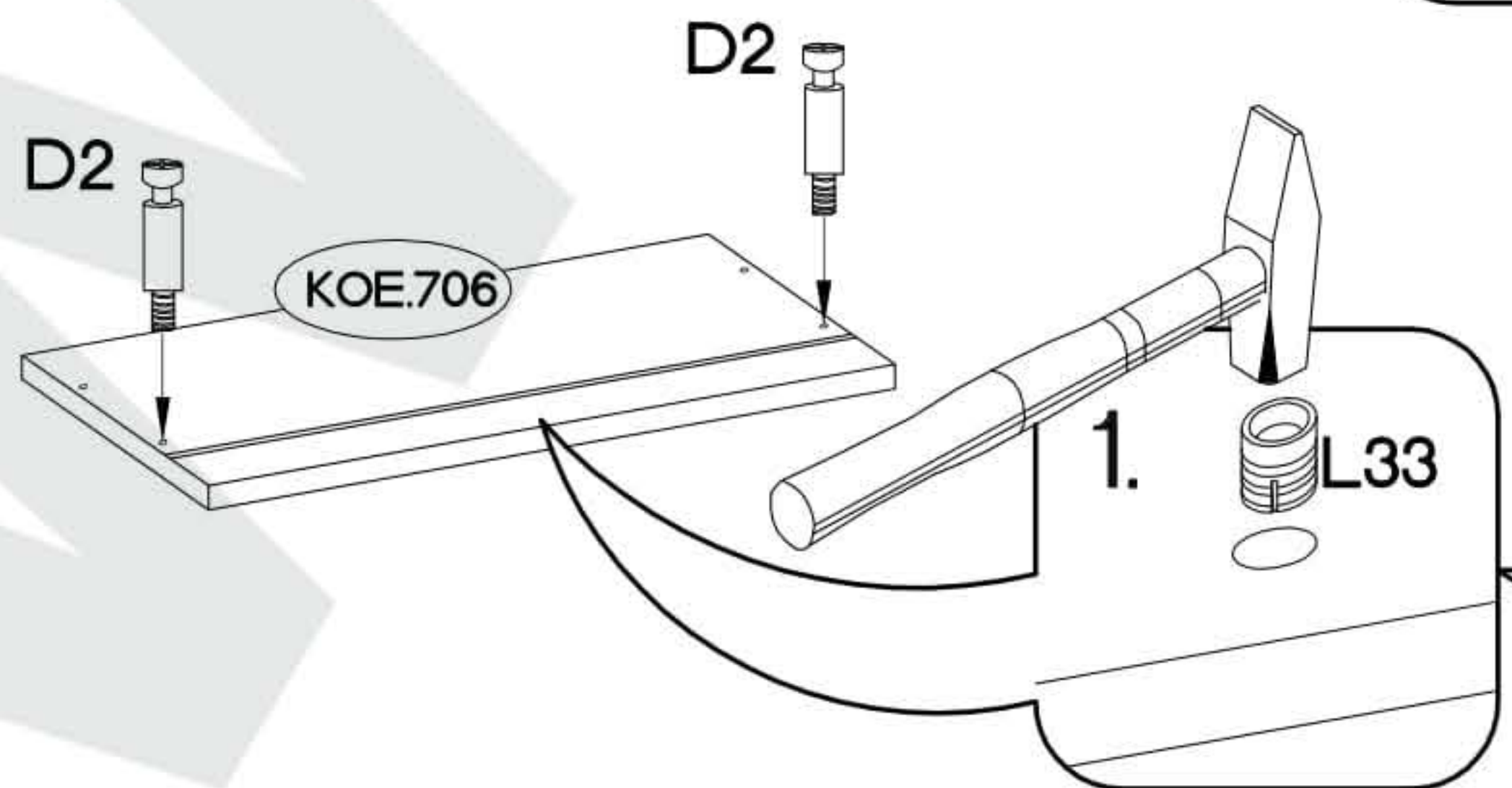
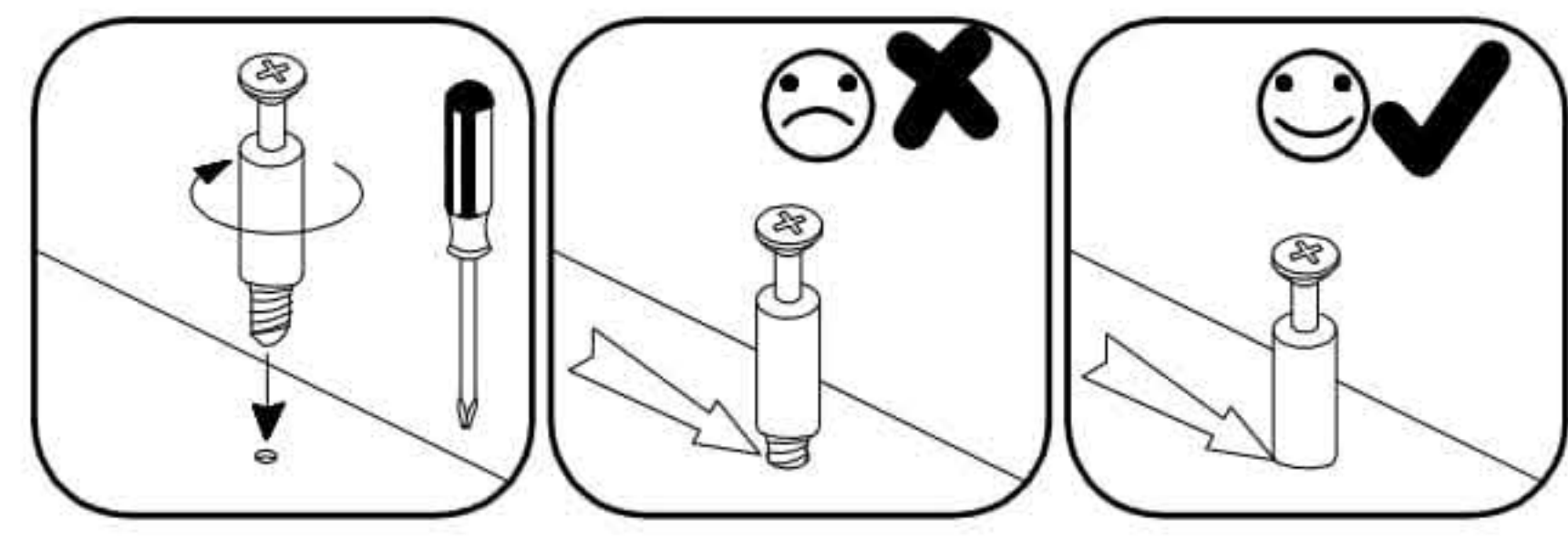


±6x42mm  B2 2

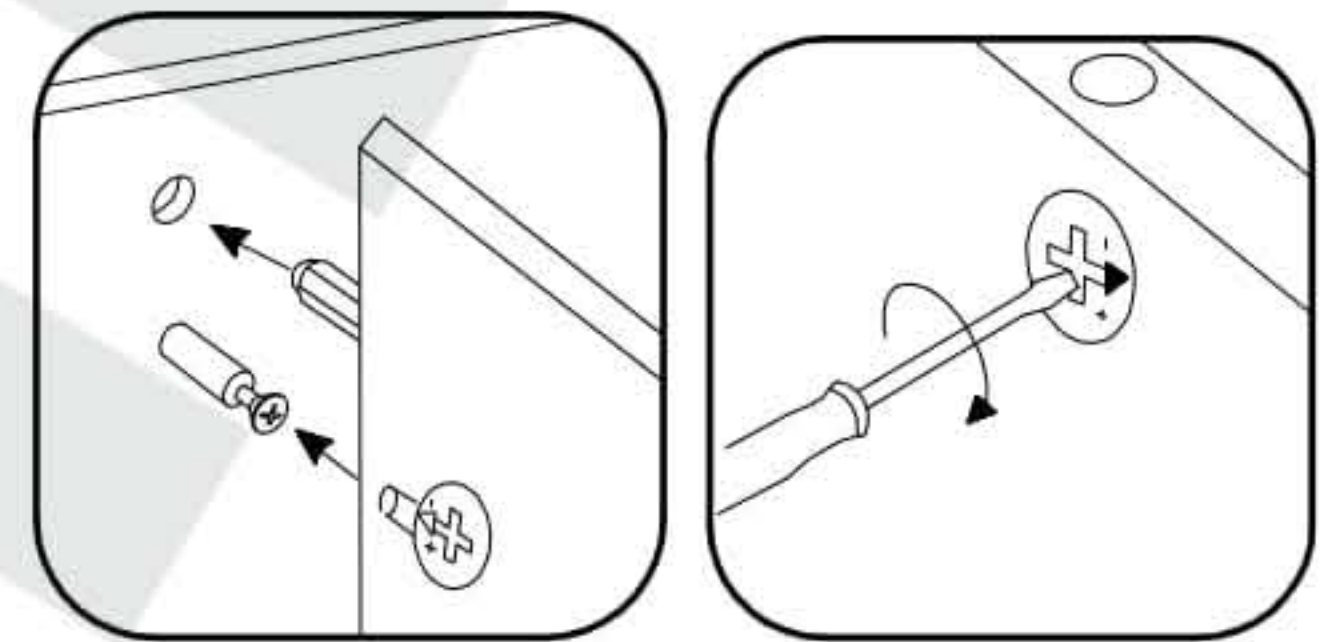
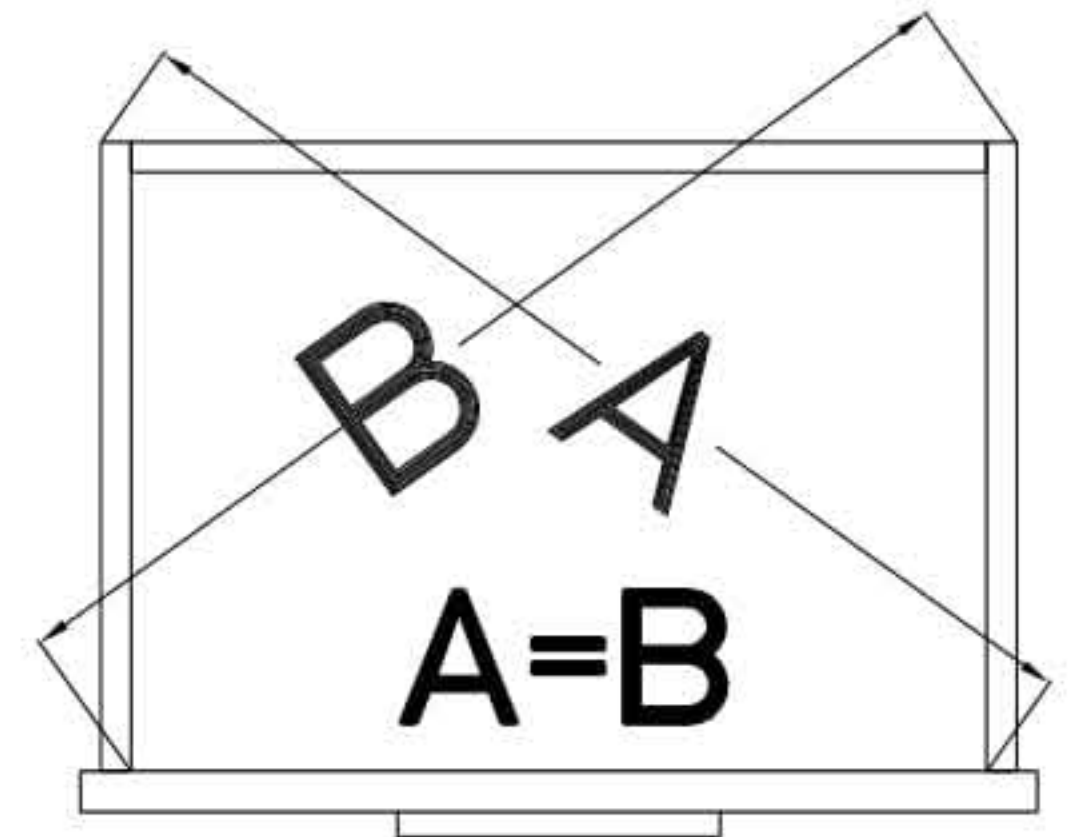
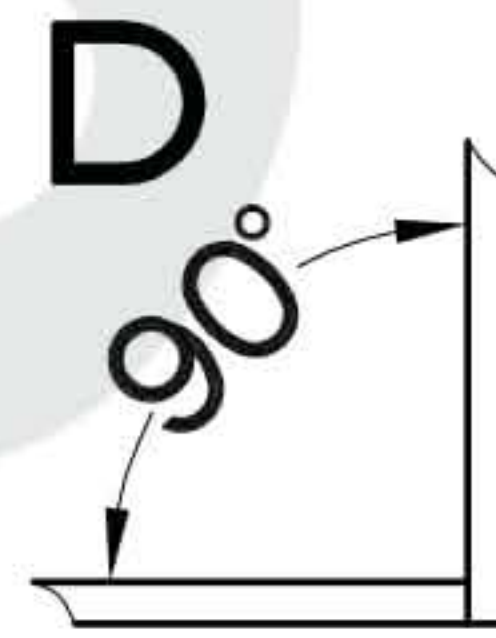
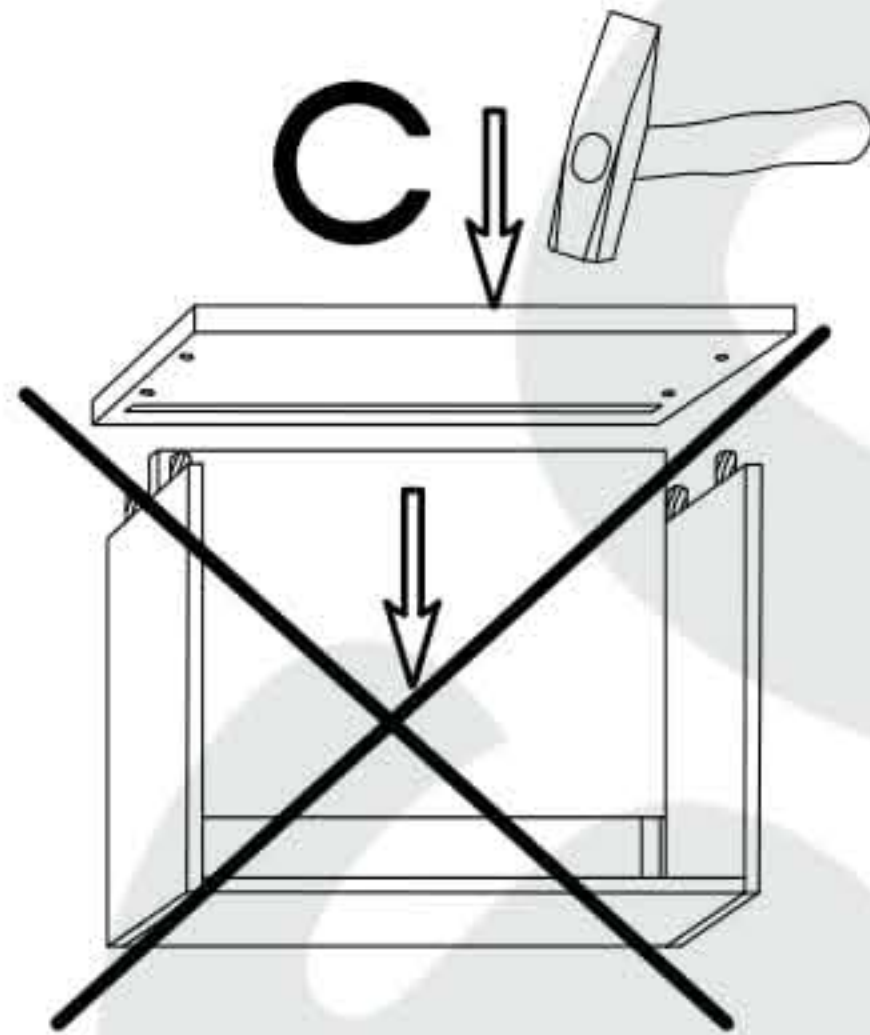
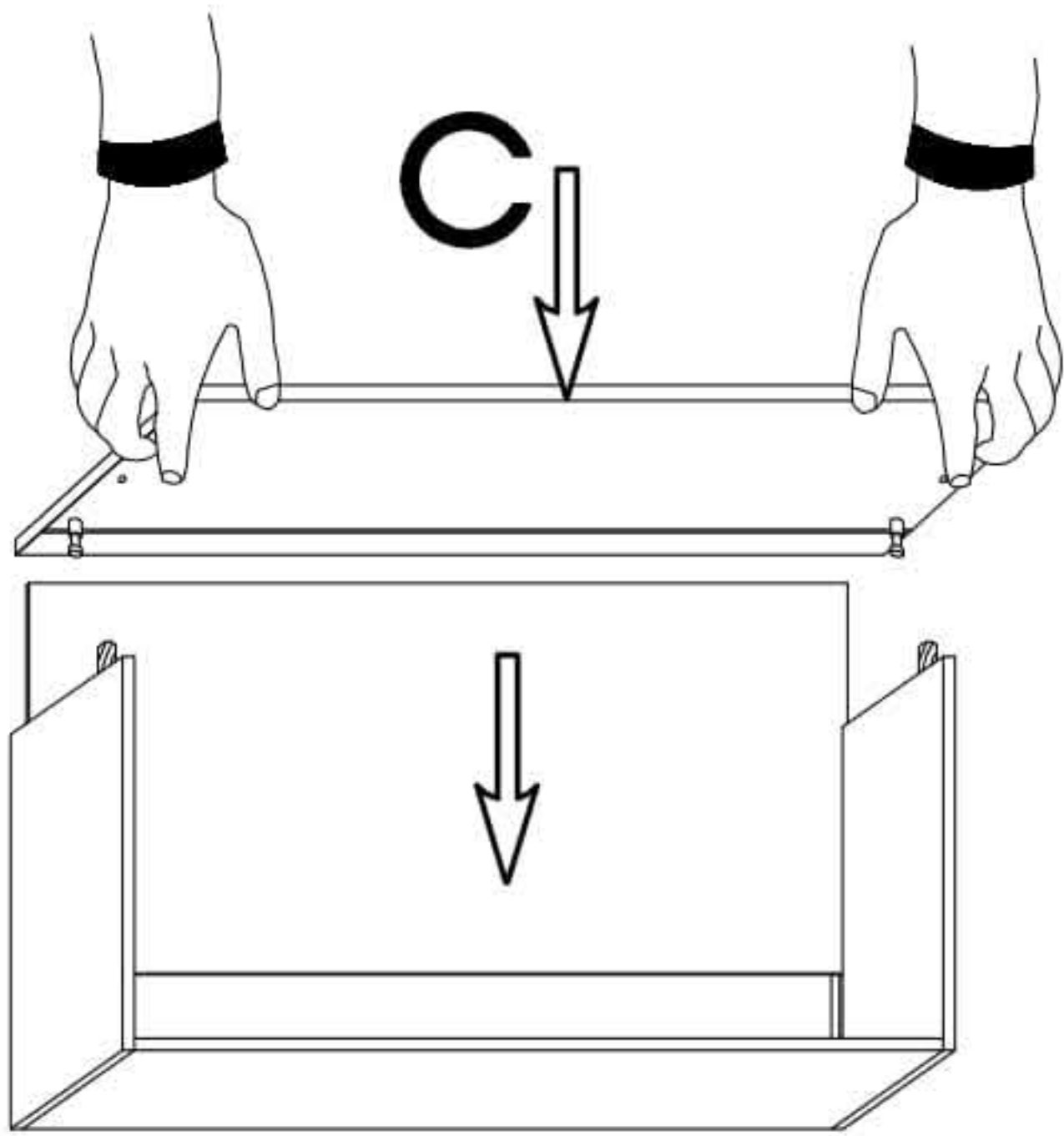
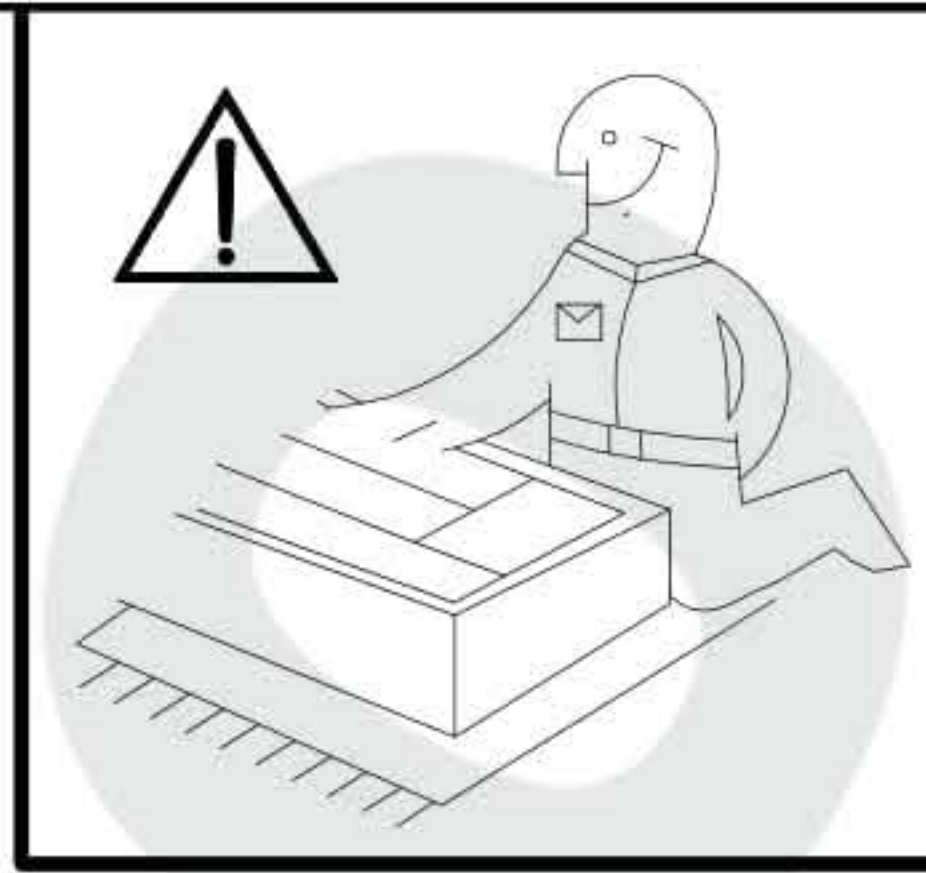
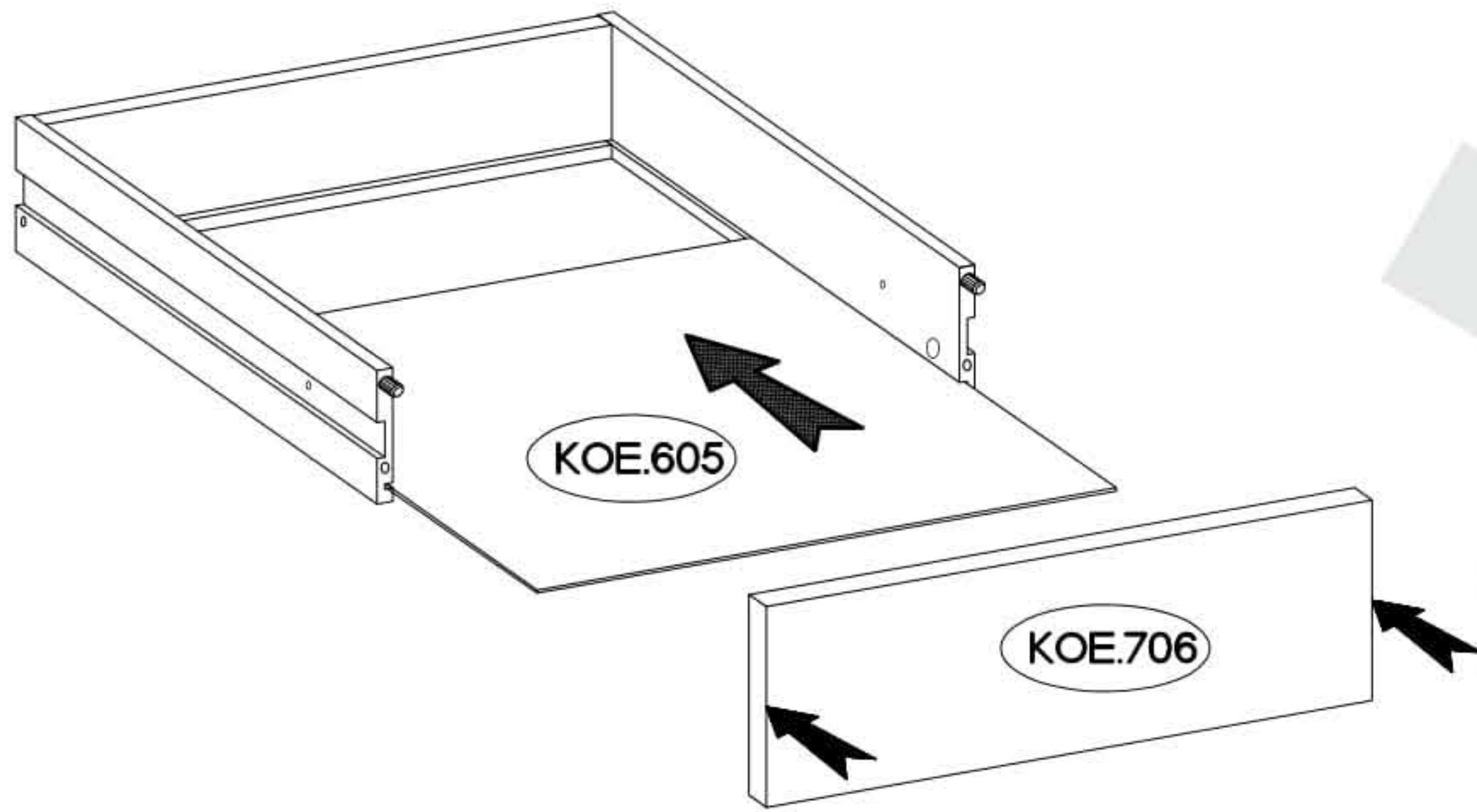


3

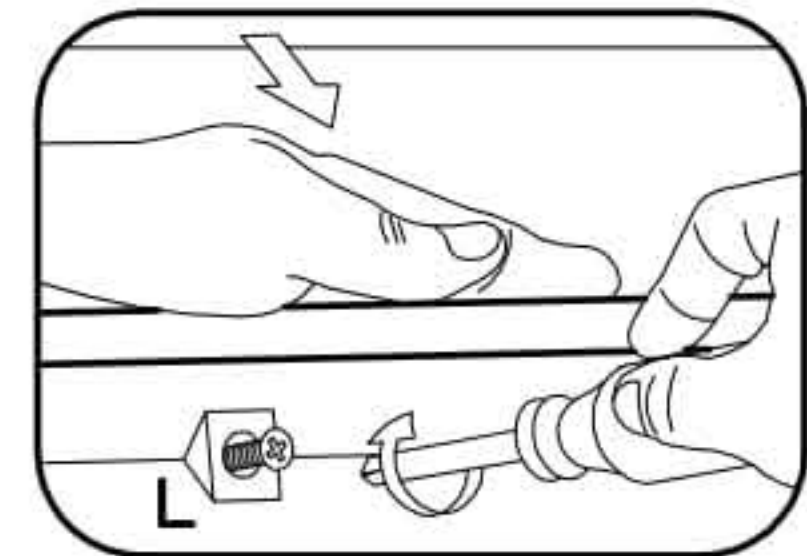
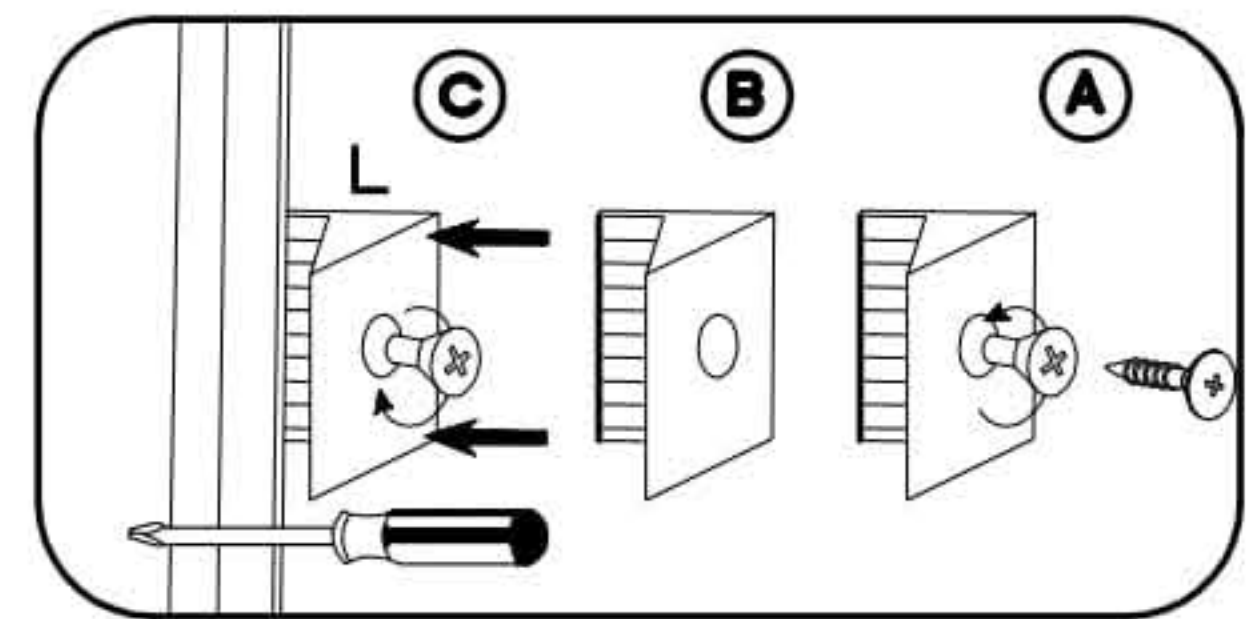
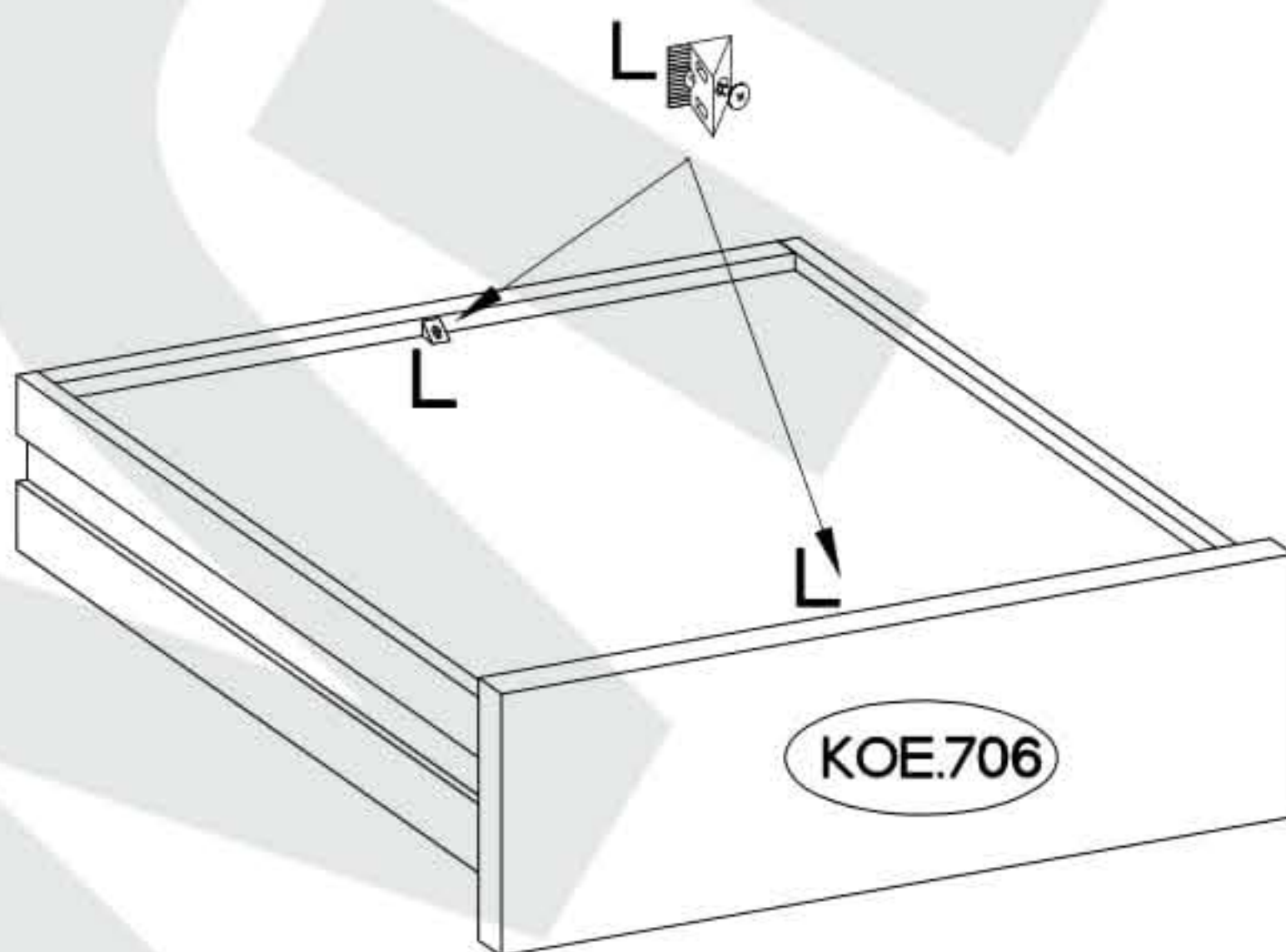
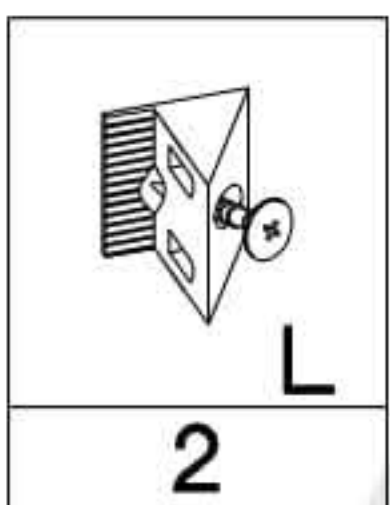
L=20mm  D2 2	 L33 1
--	---




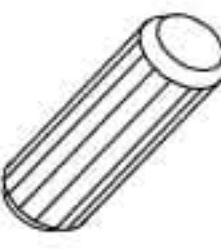
4

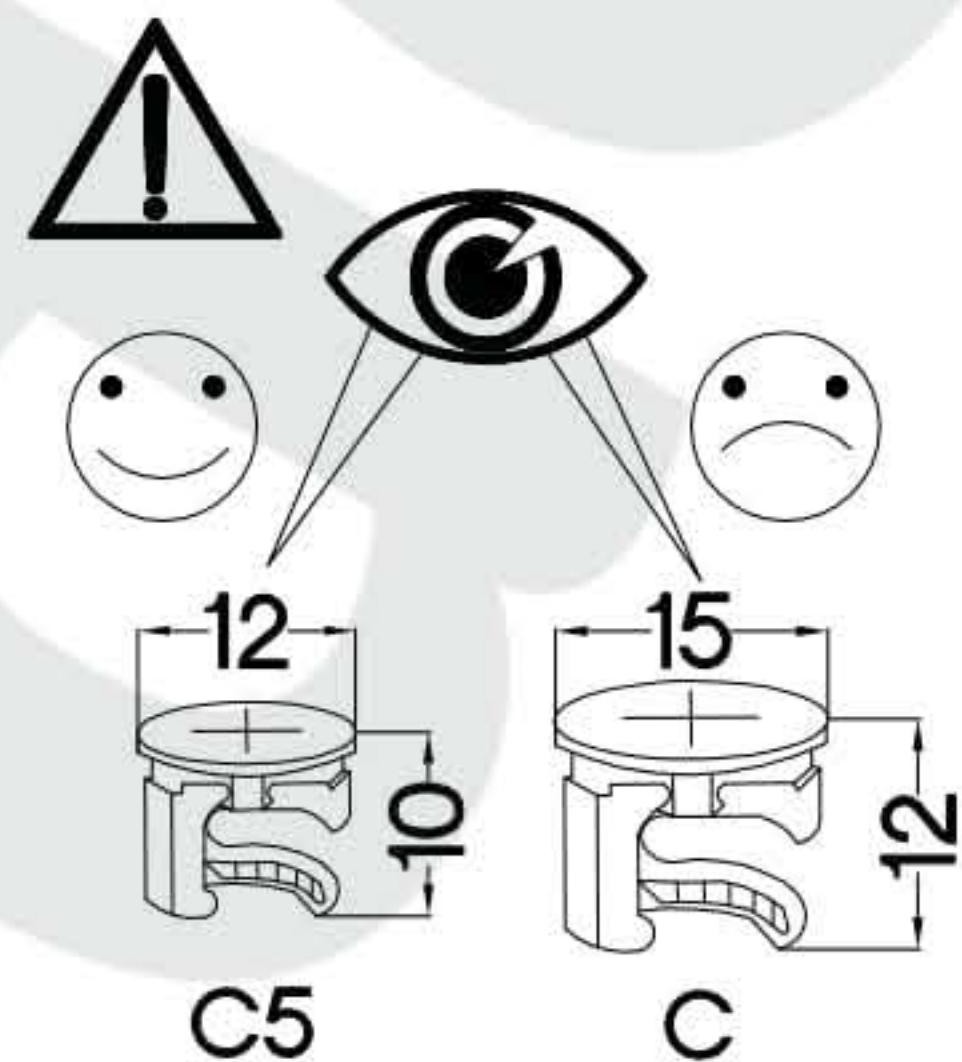
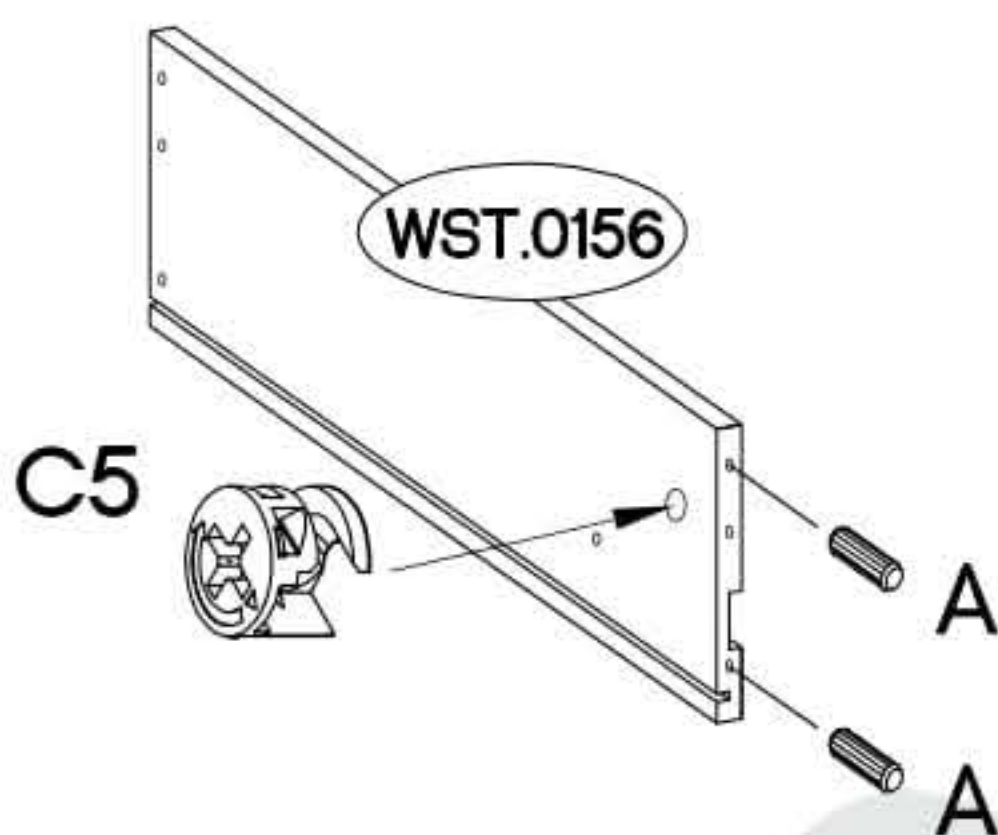
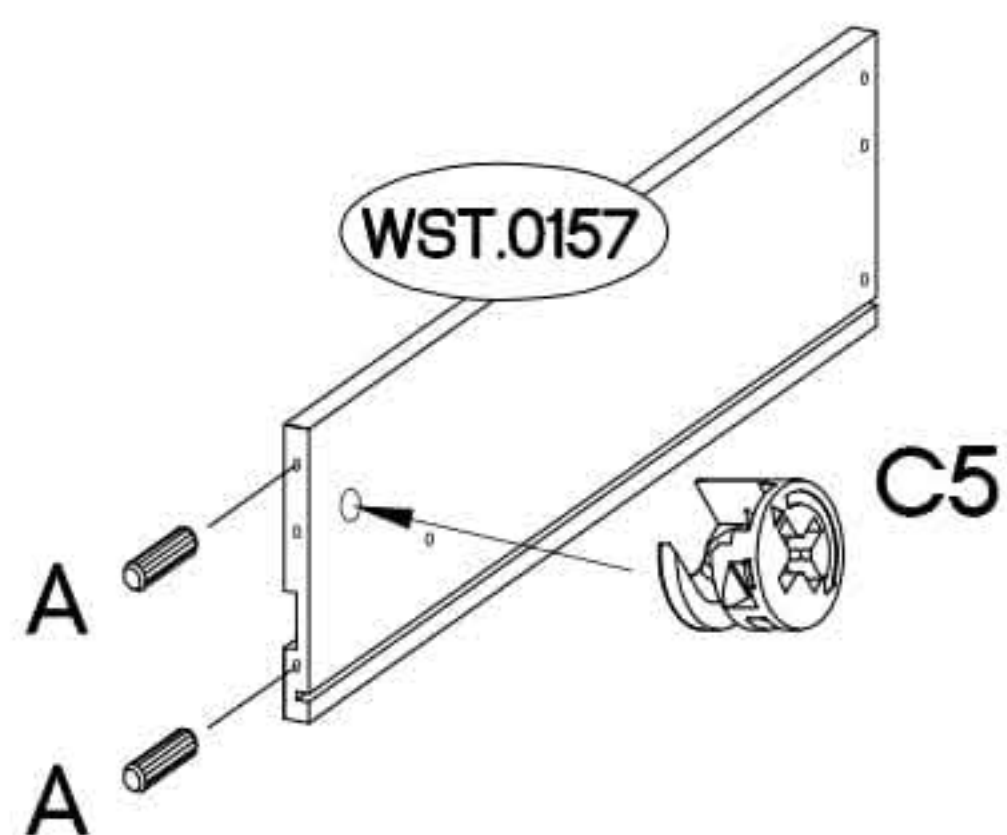
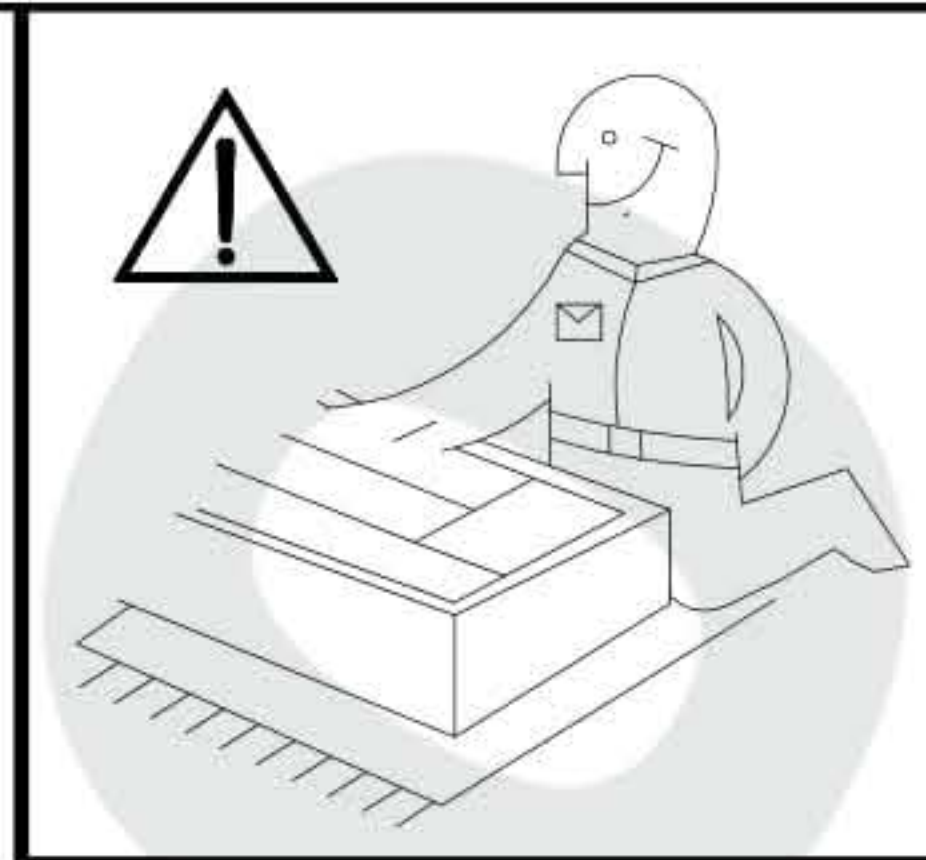
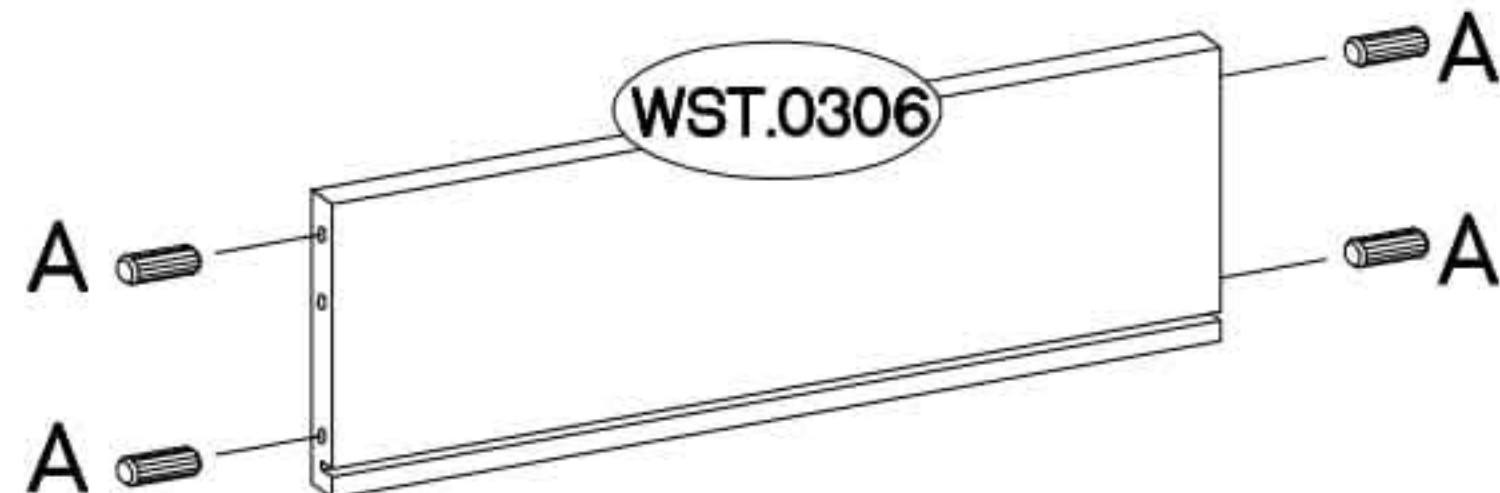


5

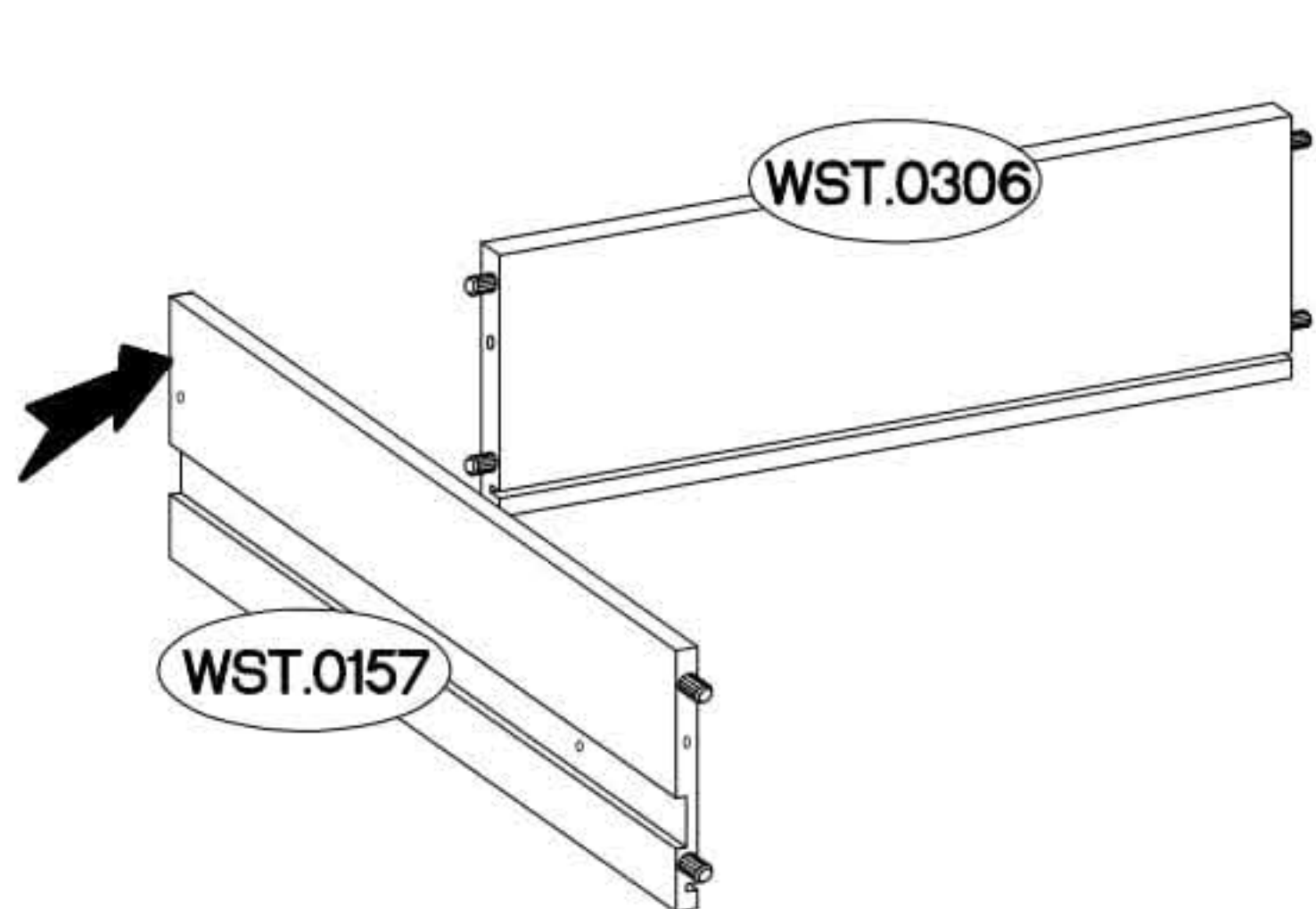


6

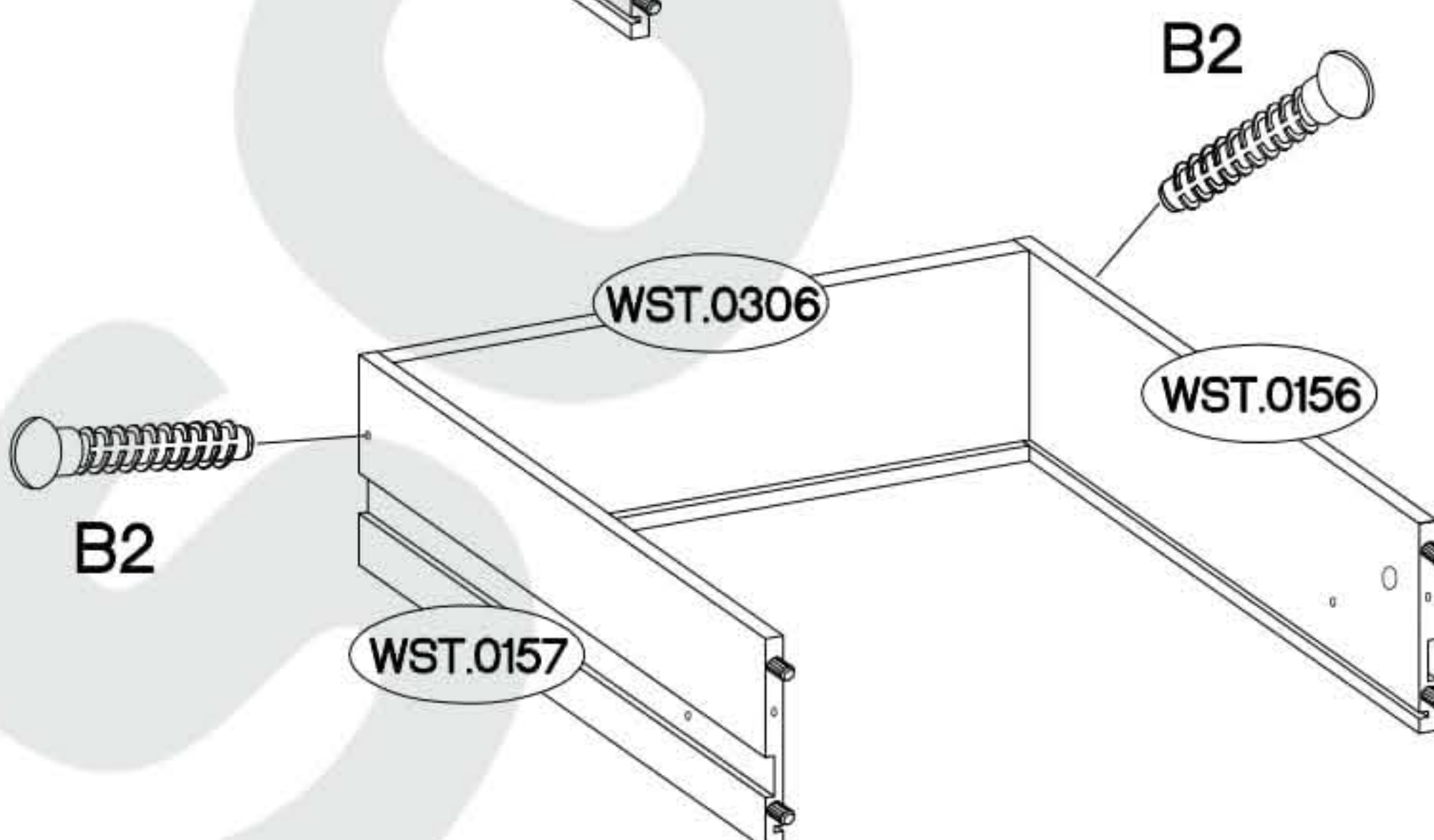
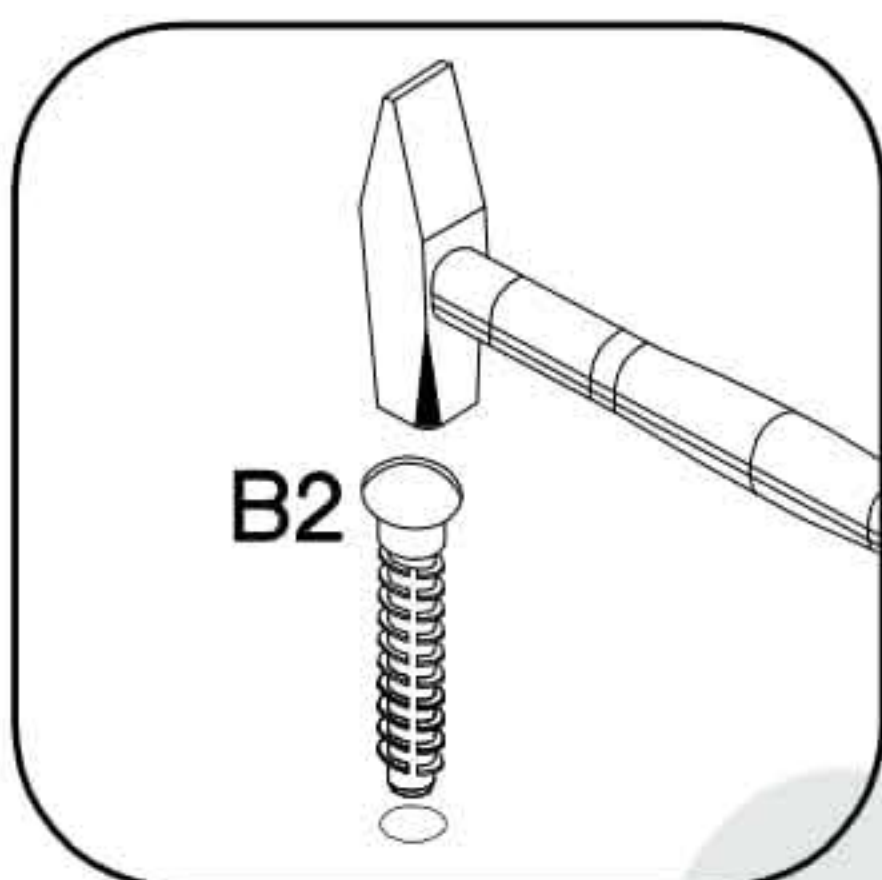
±12/10mm  C5 2	±8x30mm  A 8
---	---





7

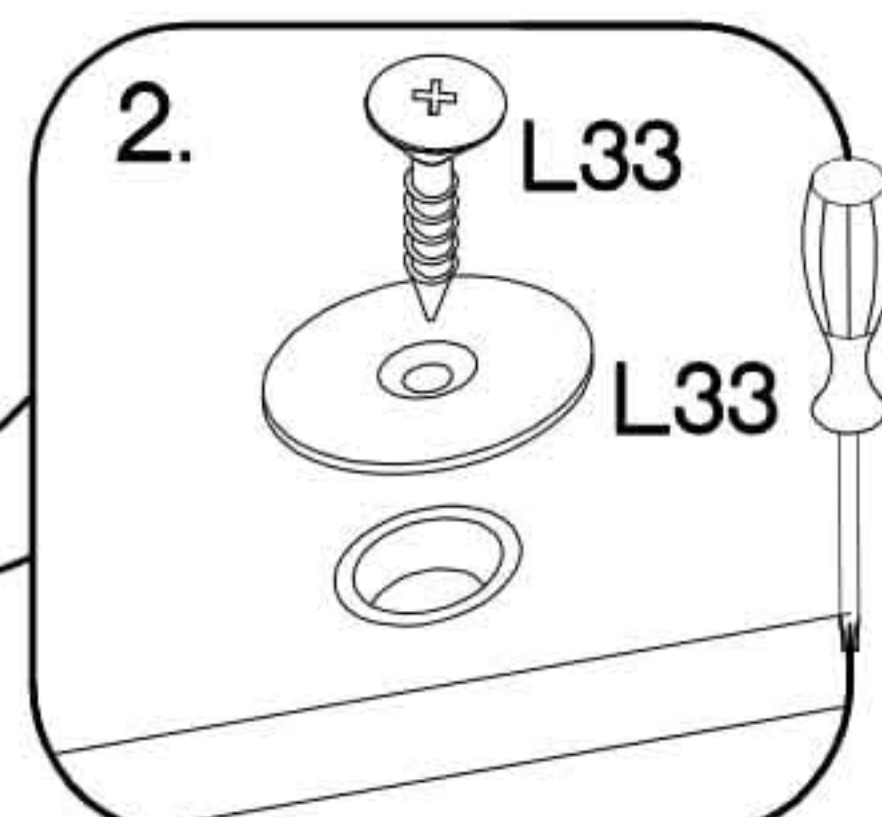
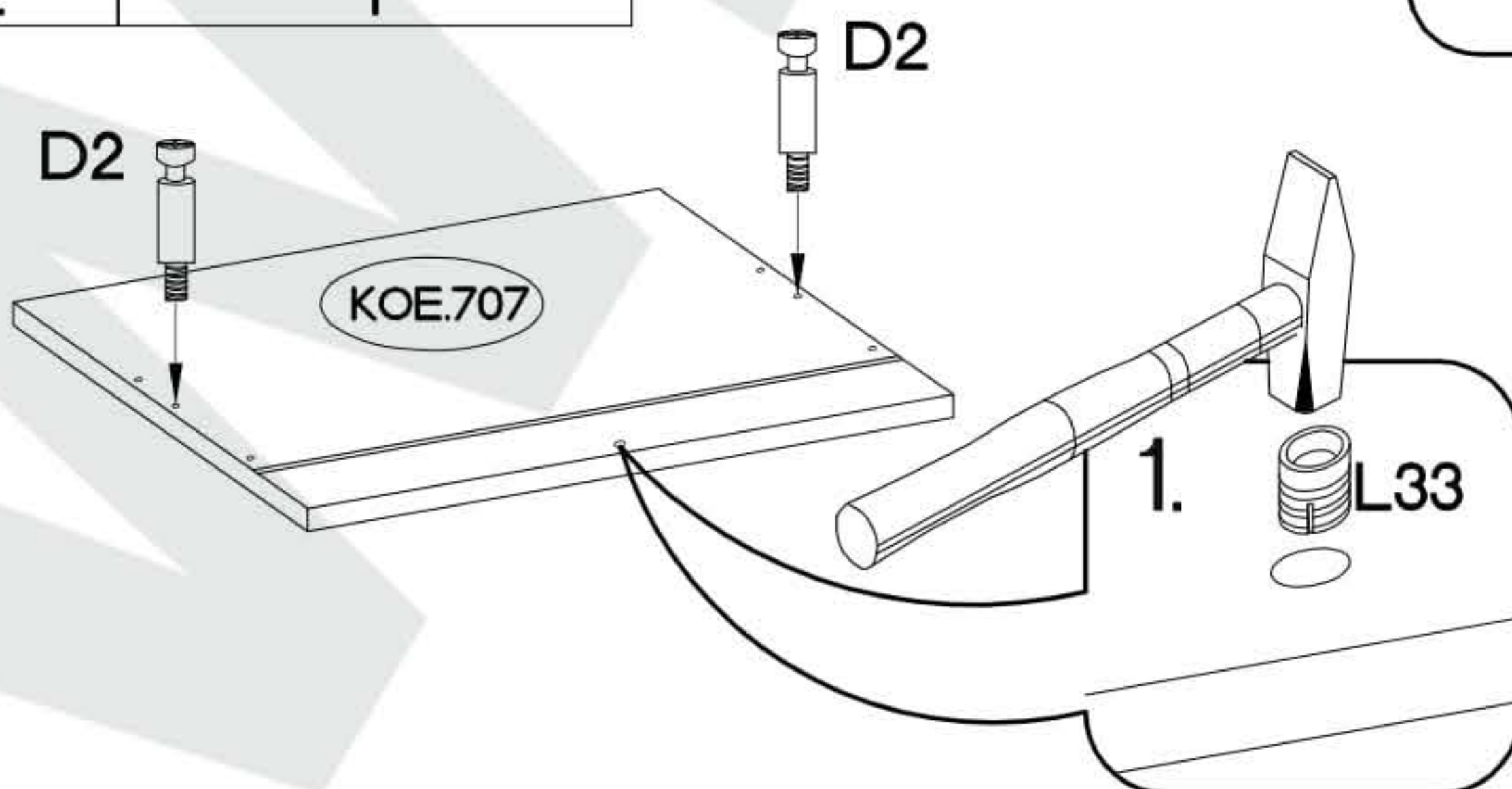
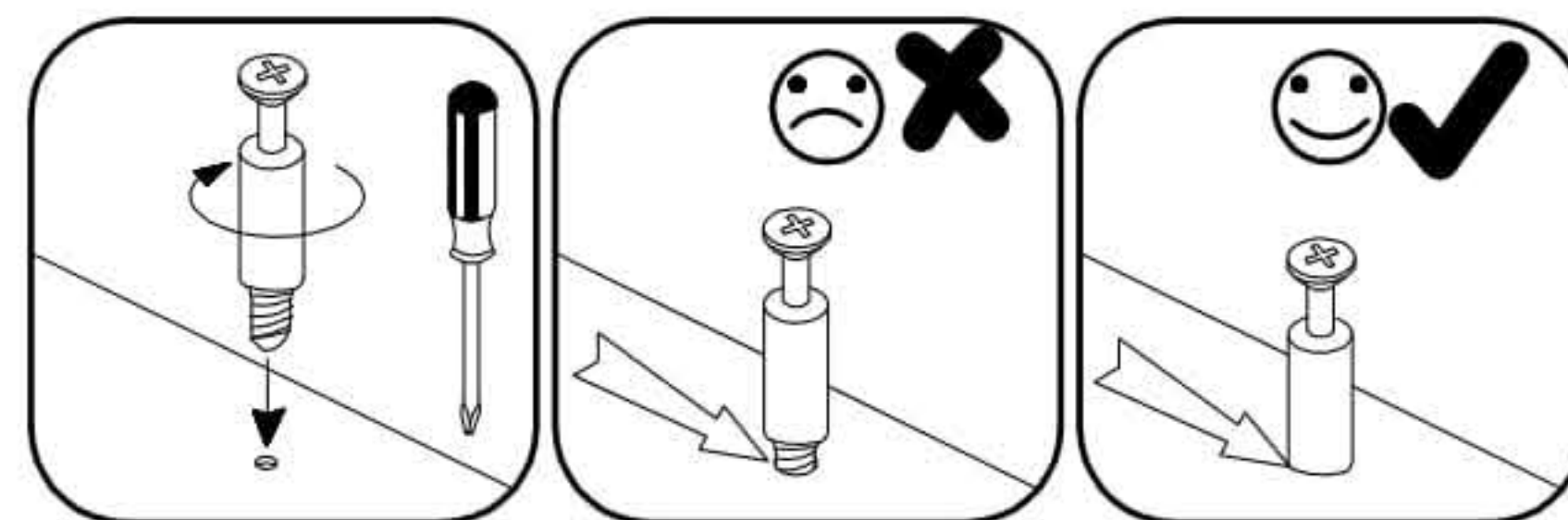


±6x42mm  B2 2

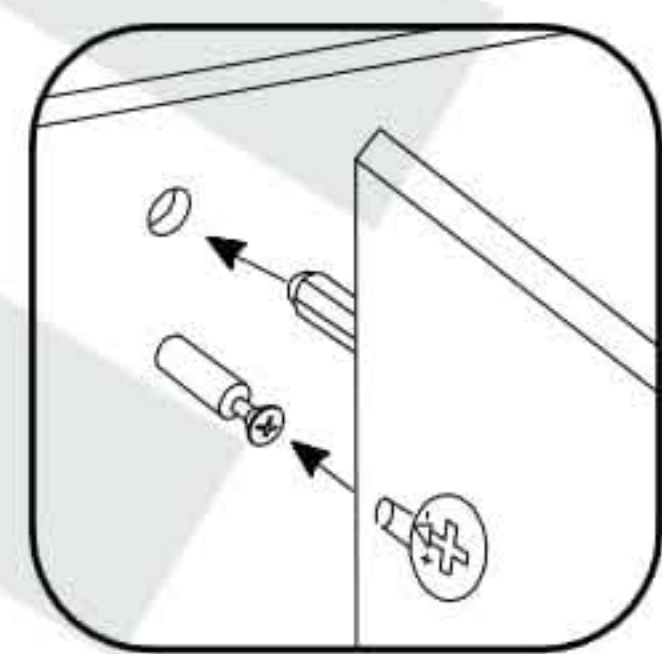
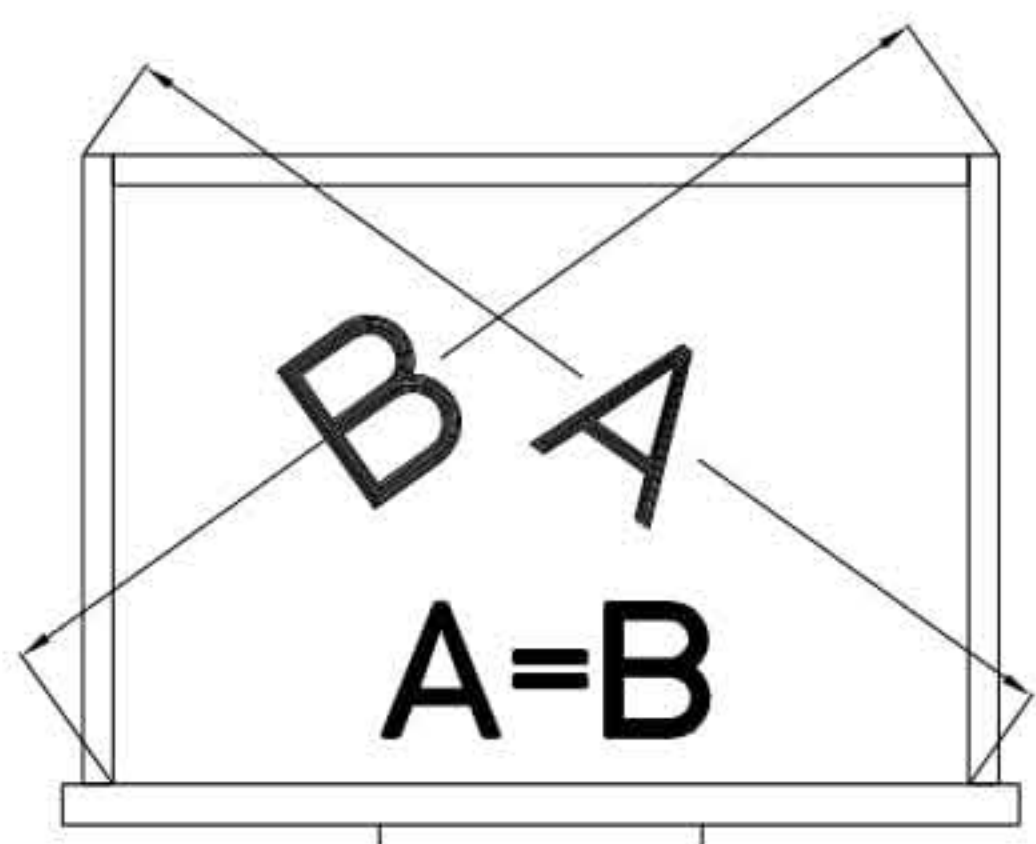
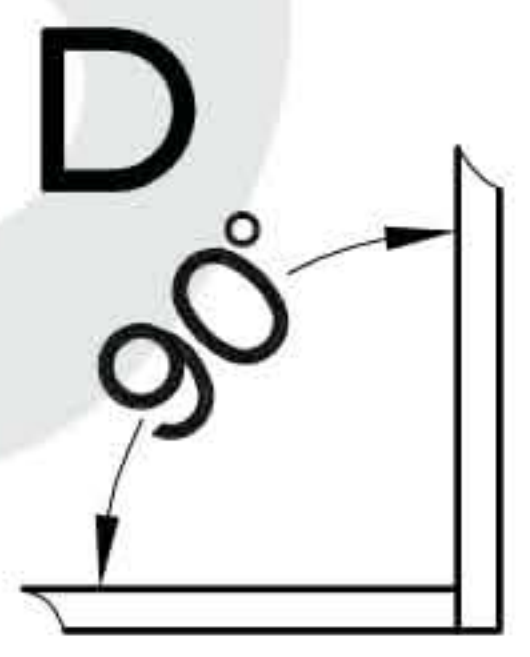
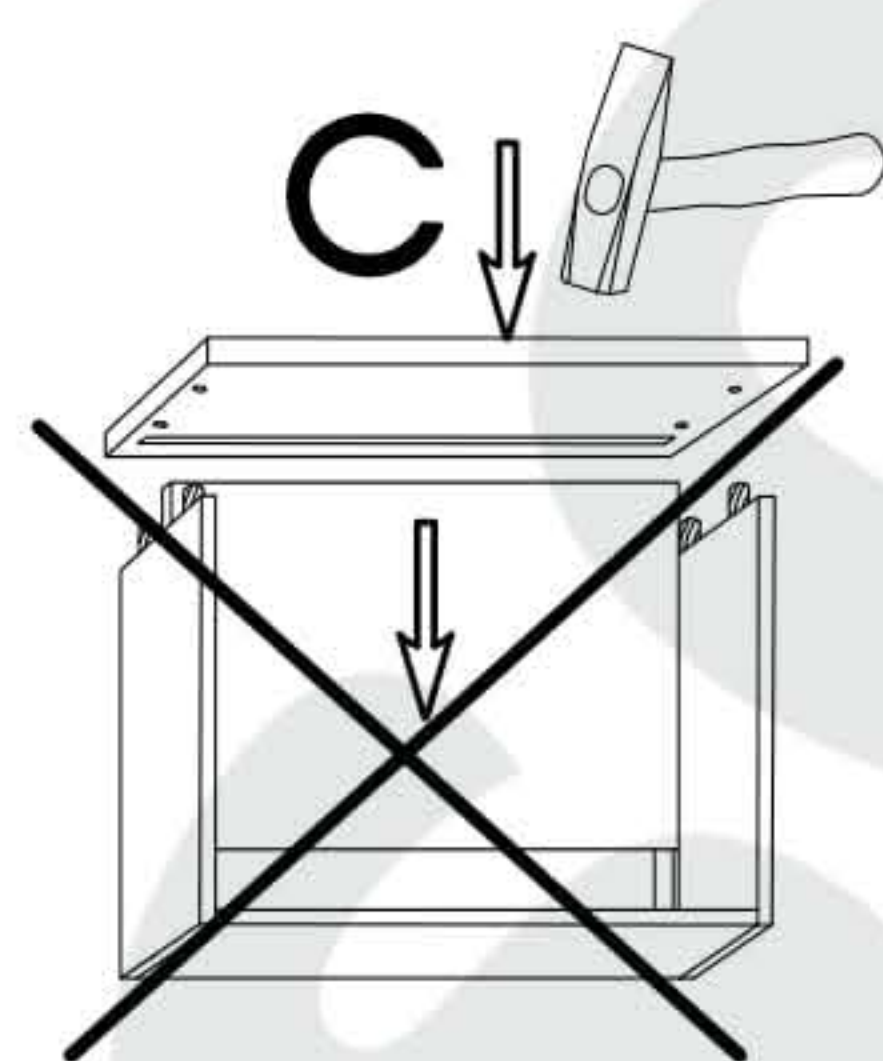
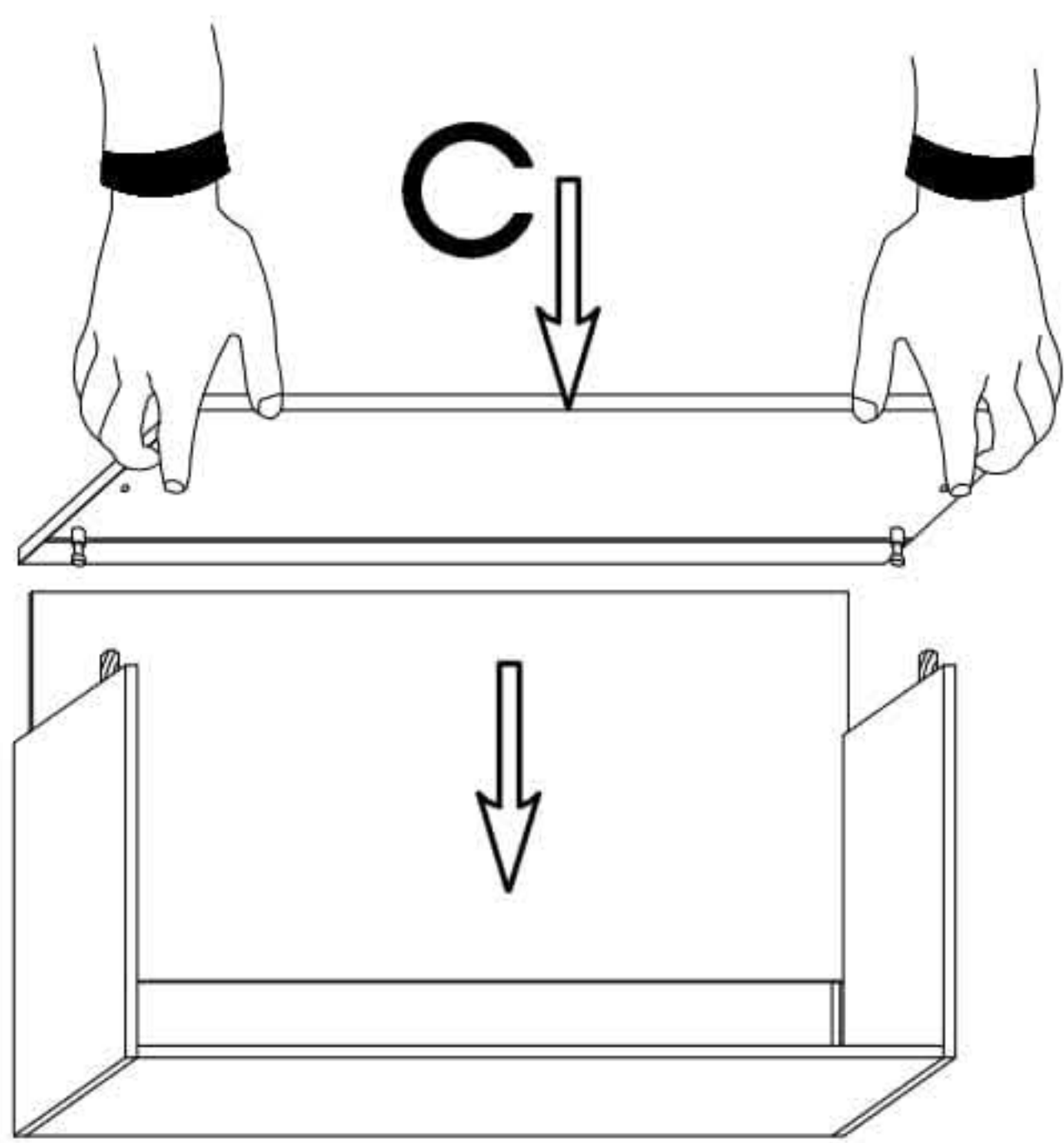
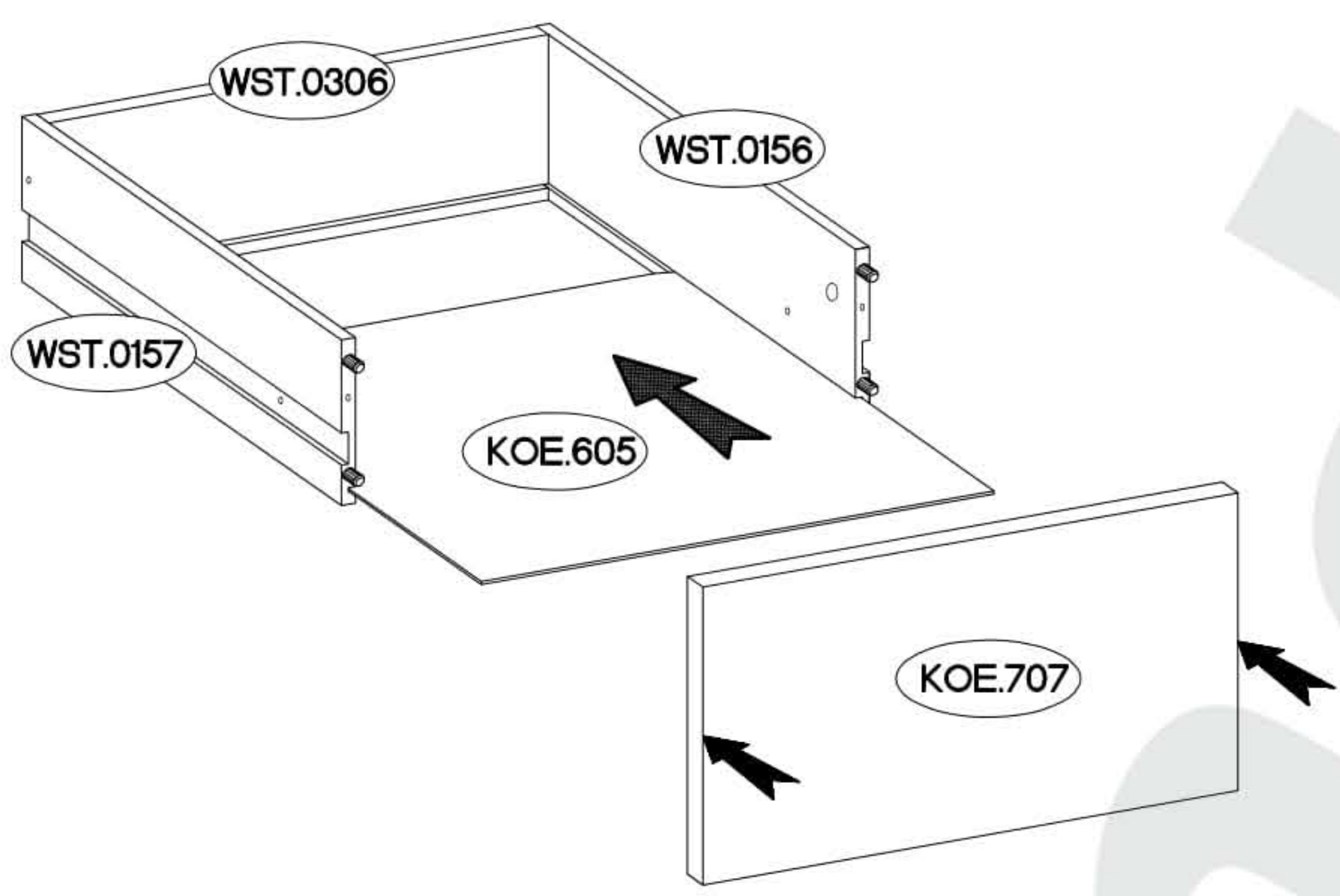
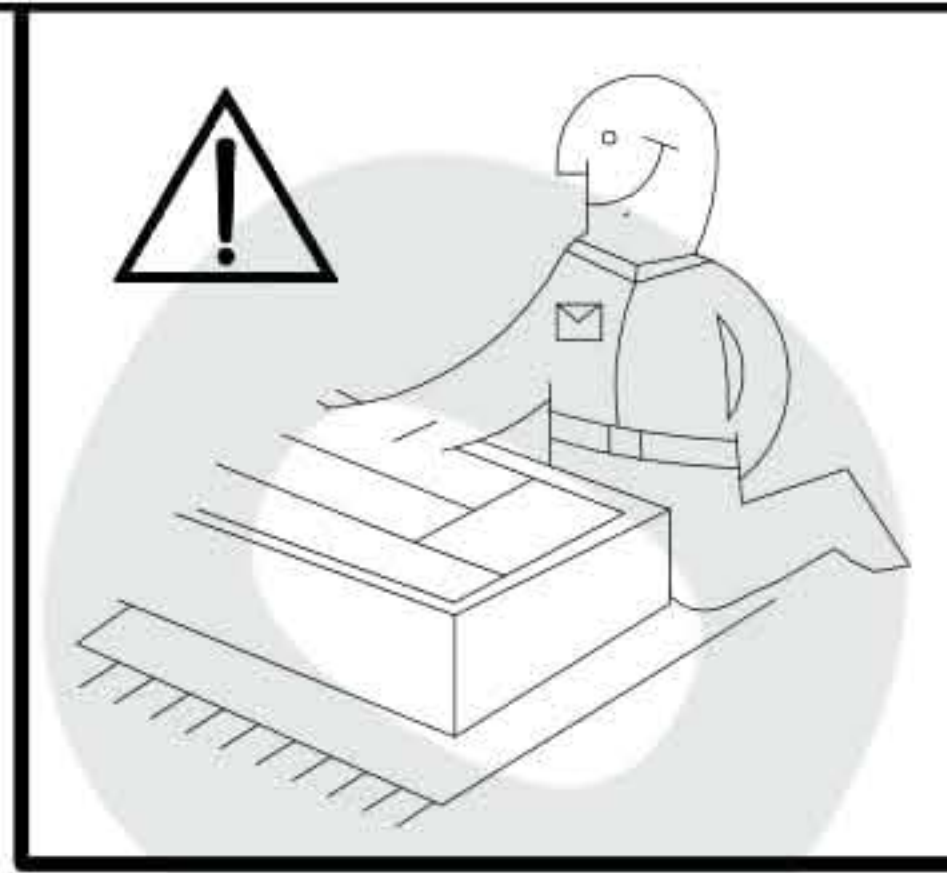


8

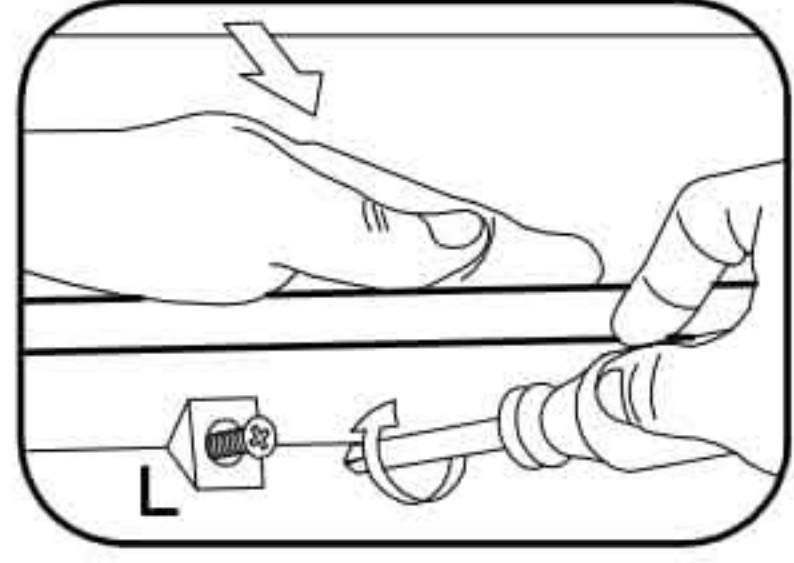
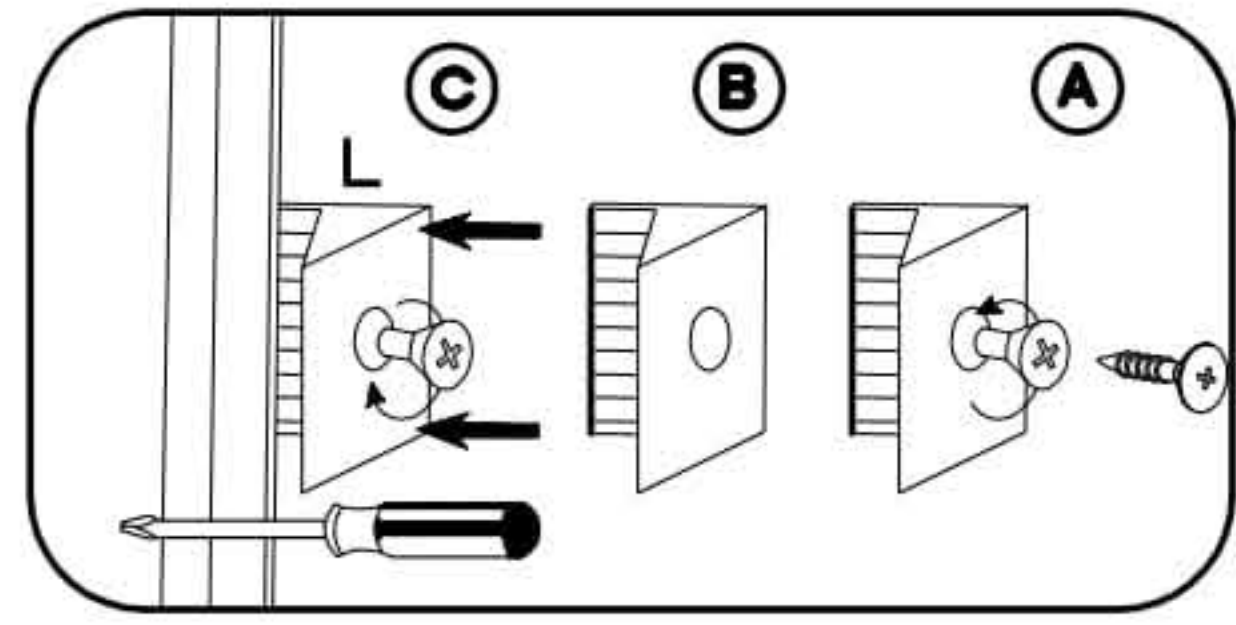
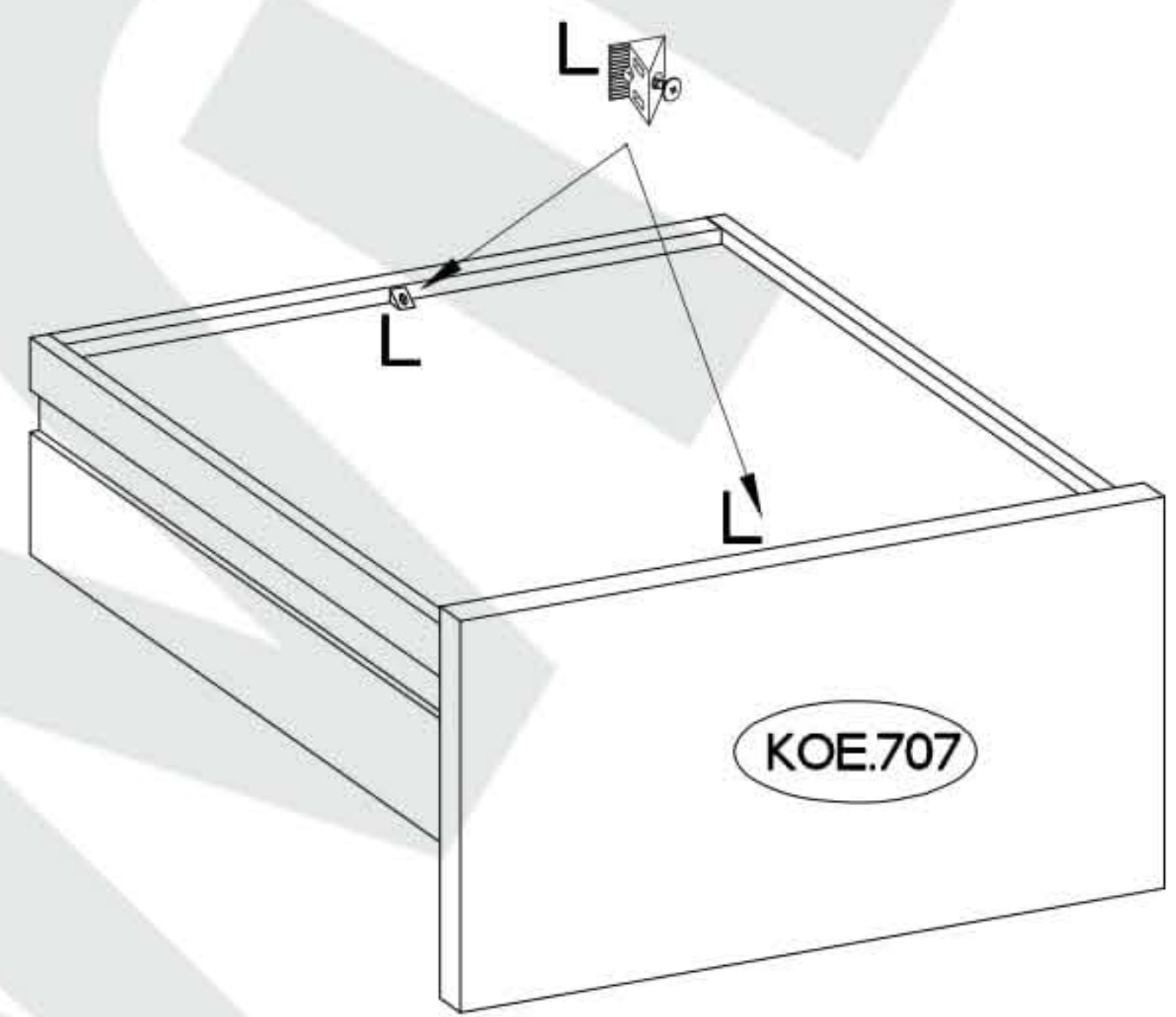
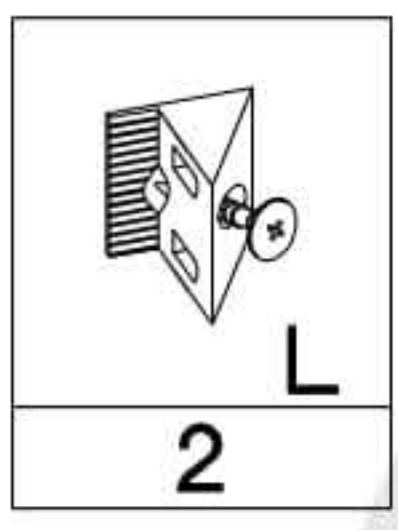
L=20mm  D2 2	 L33 1
--	---





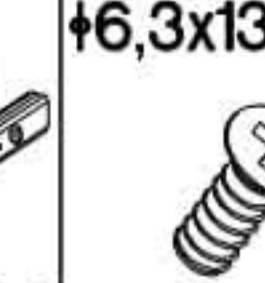
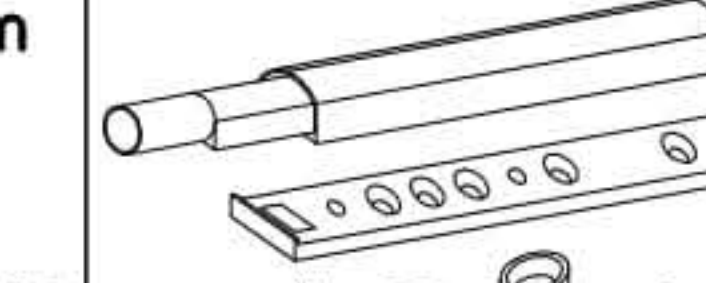
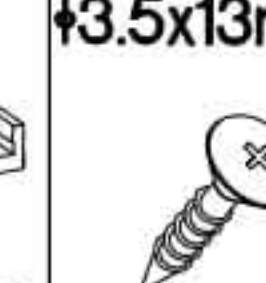


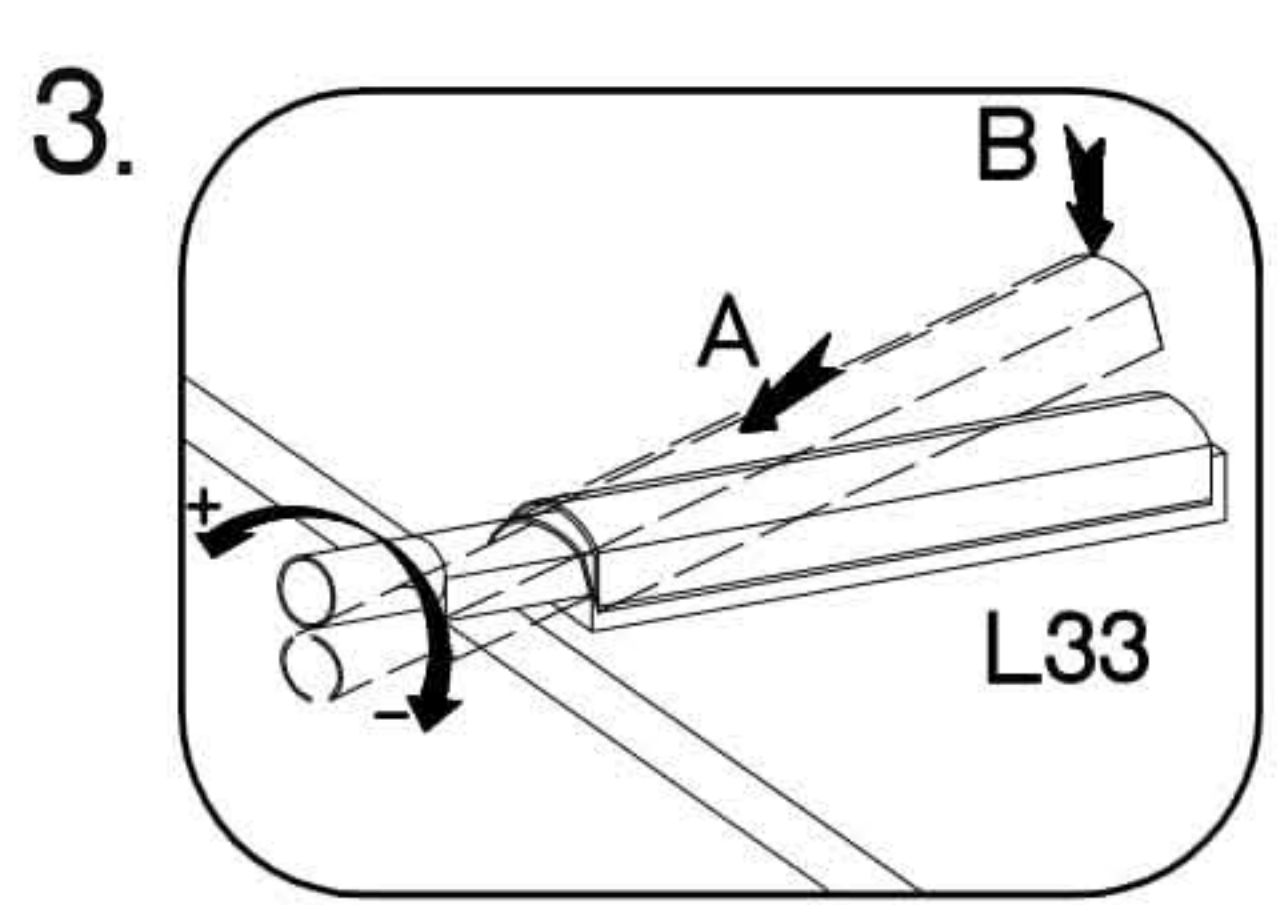
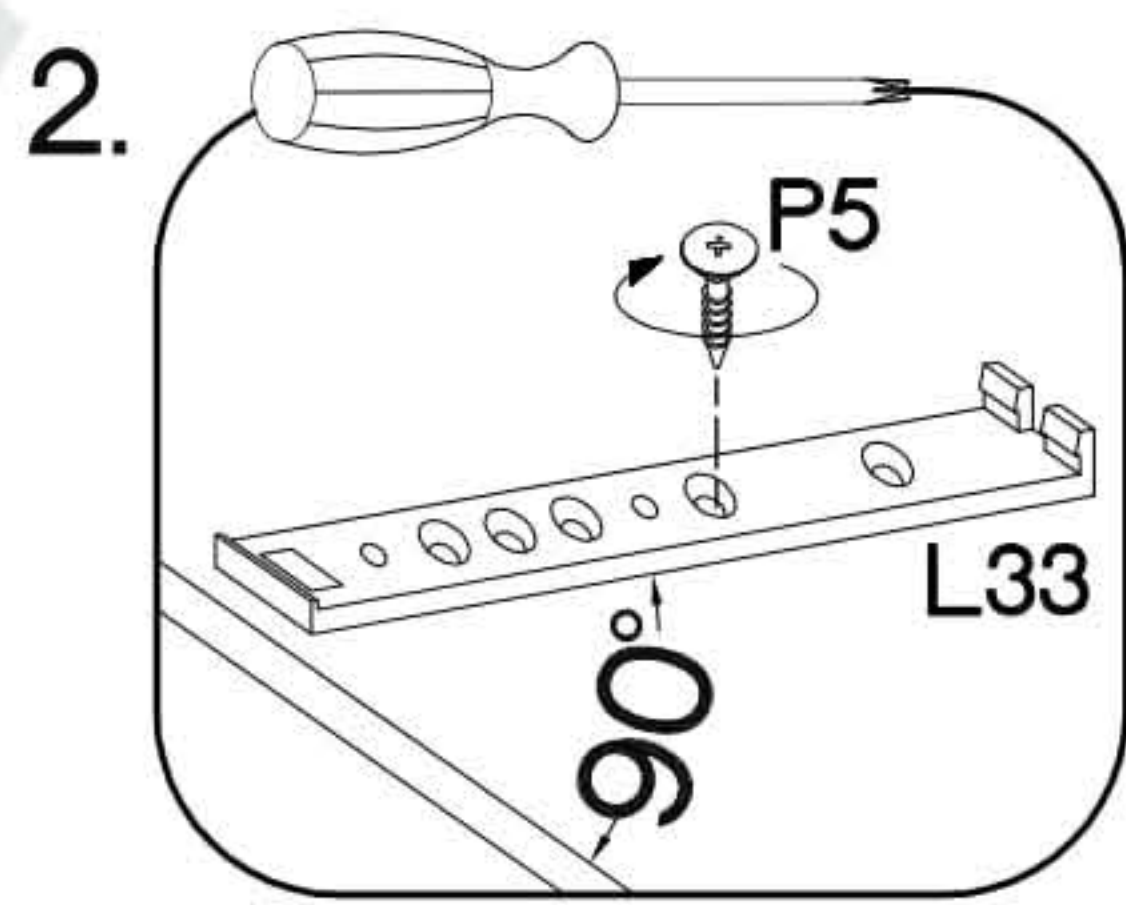
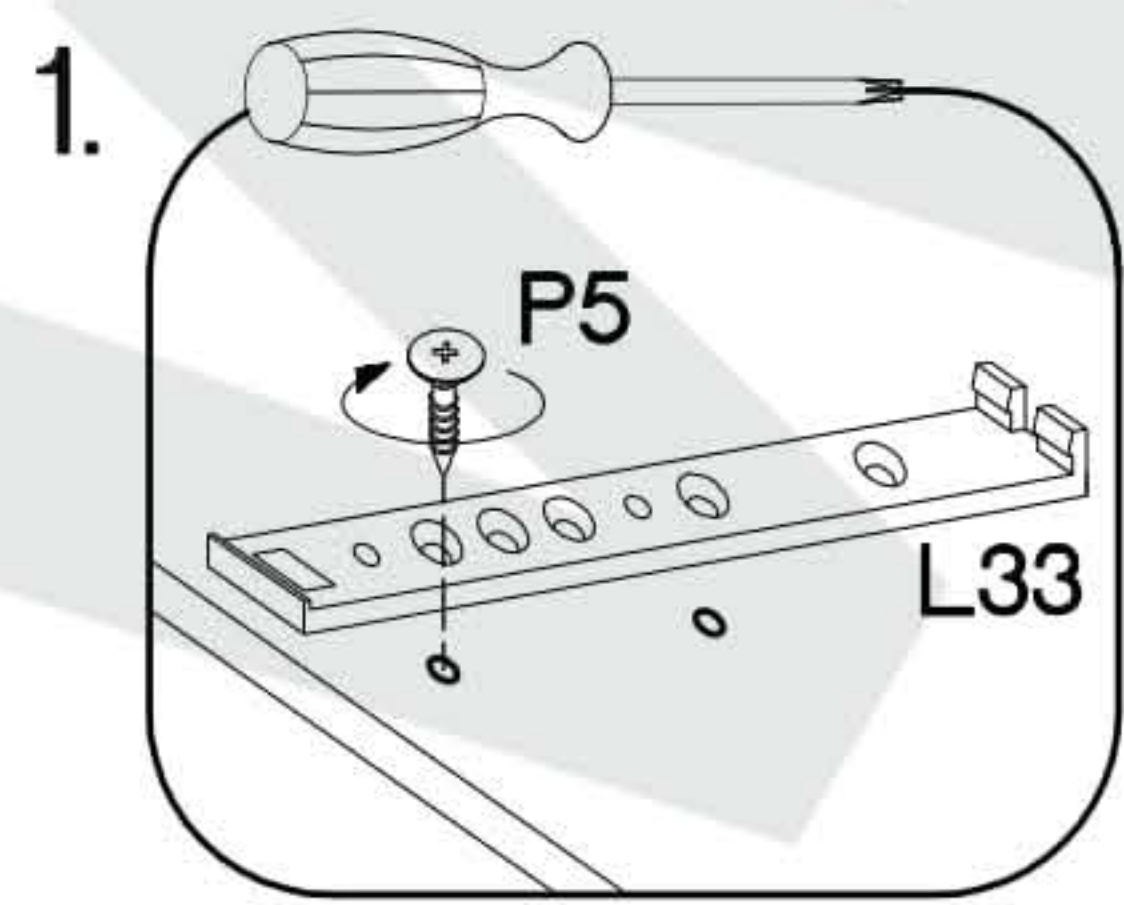
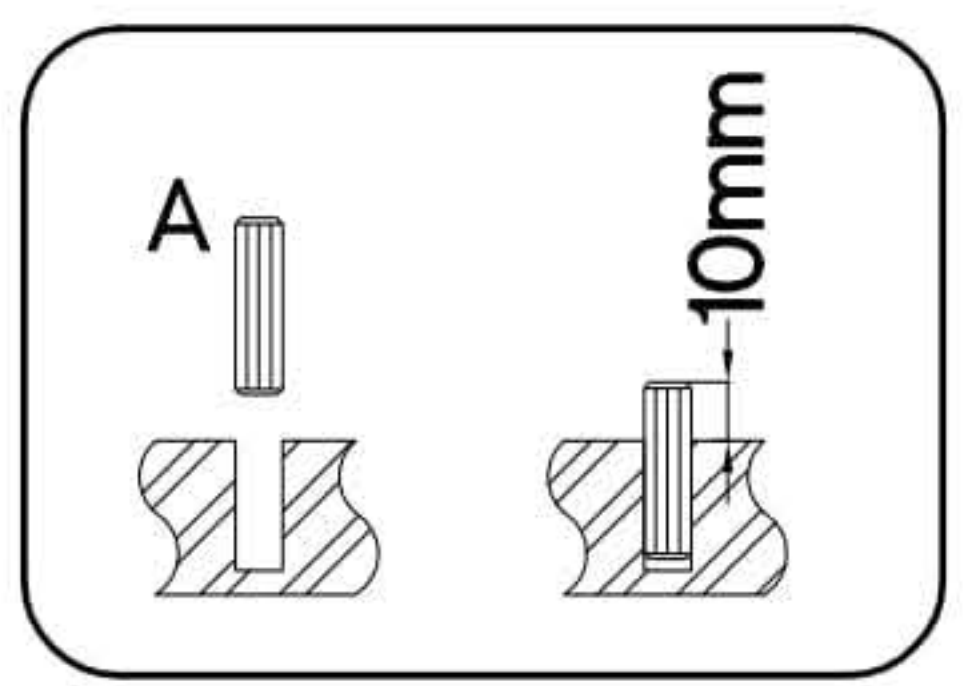
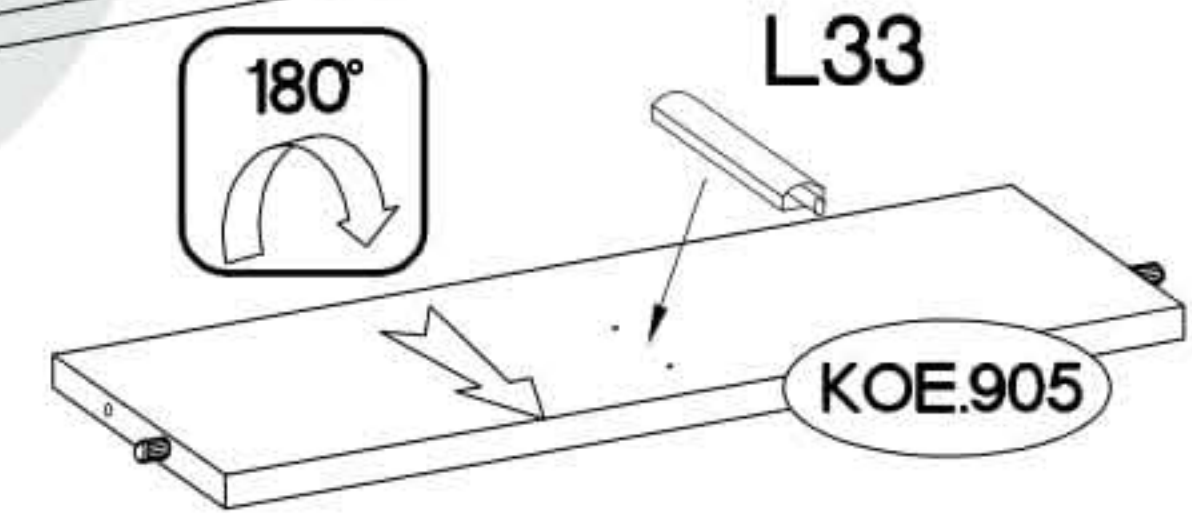
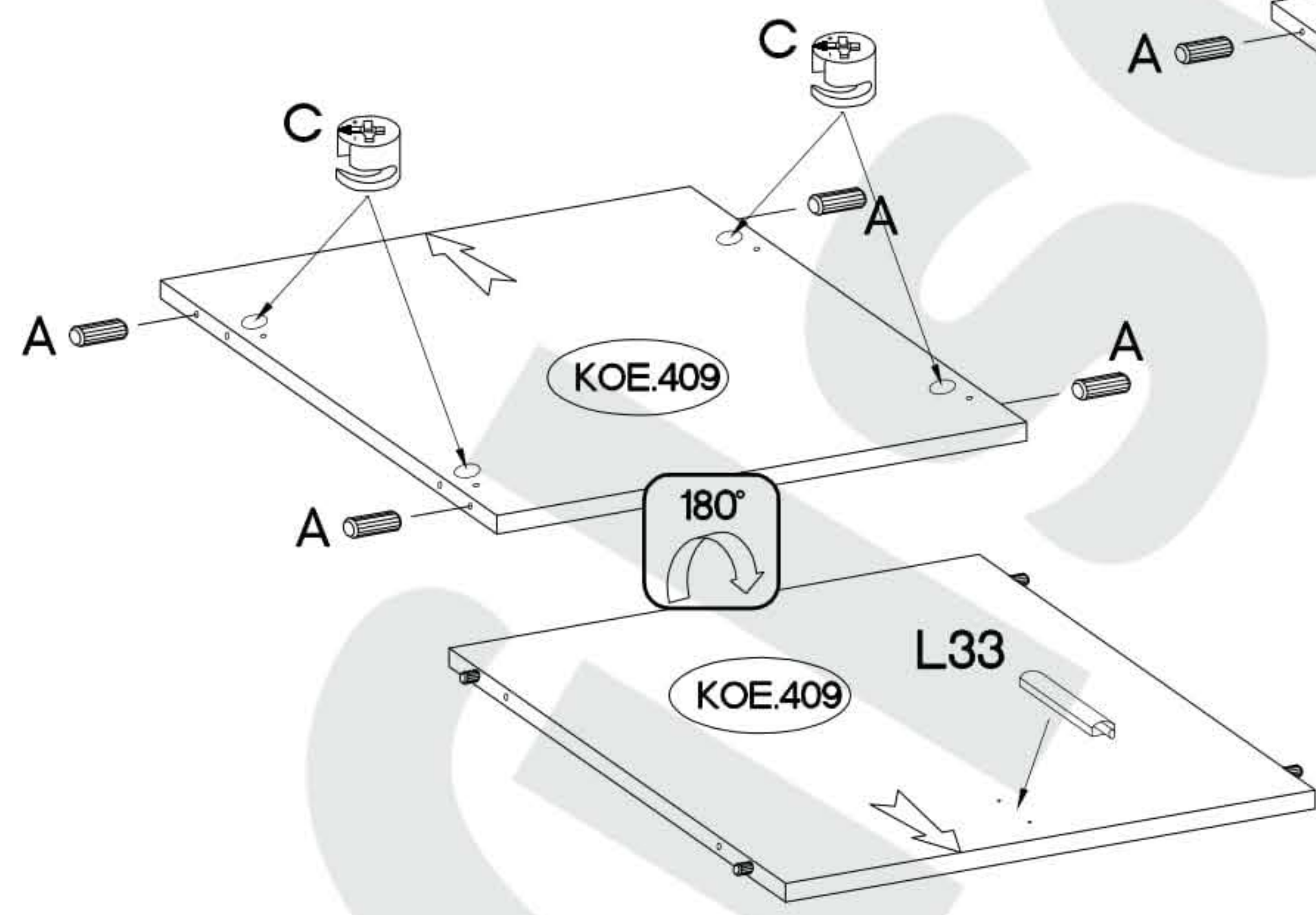
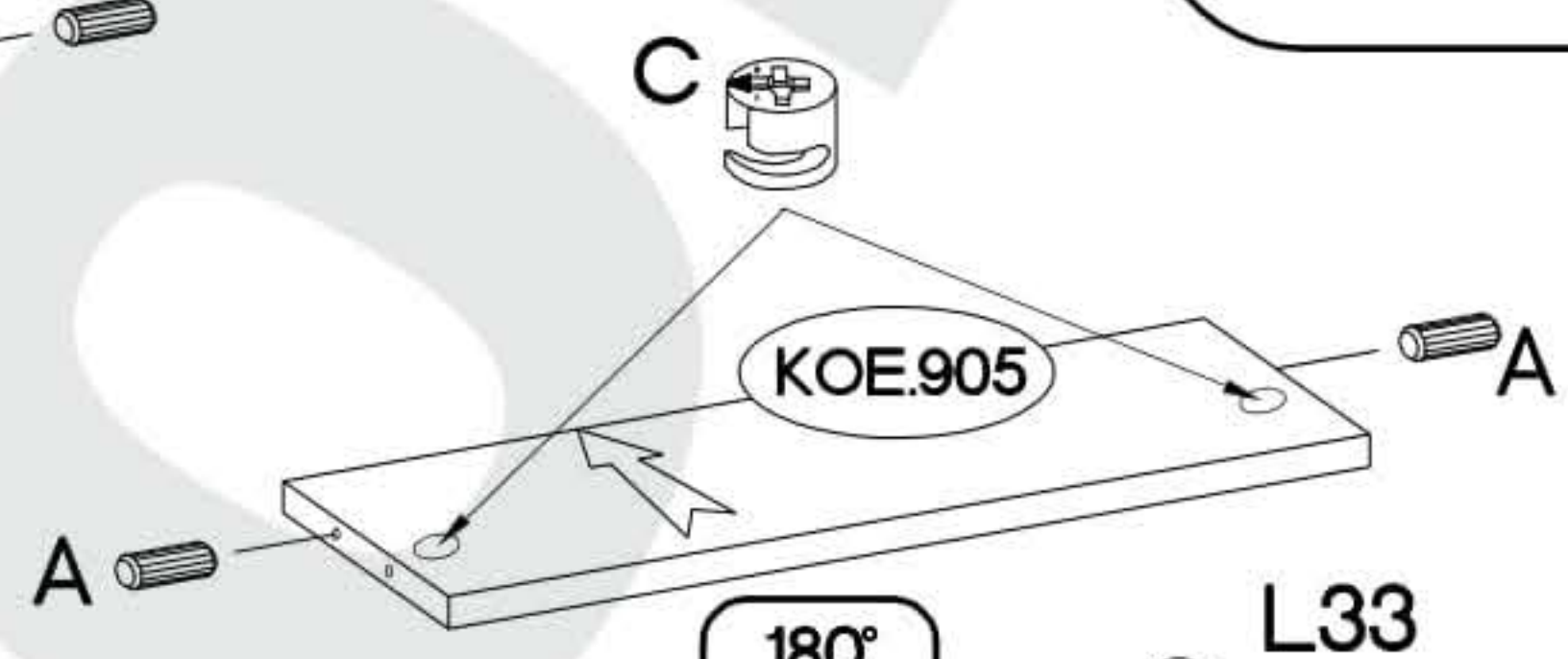
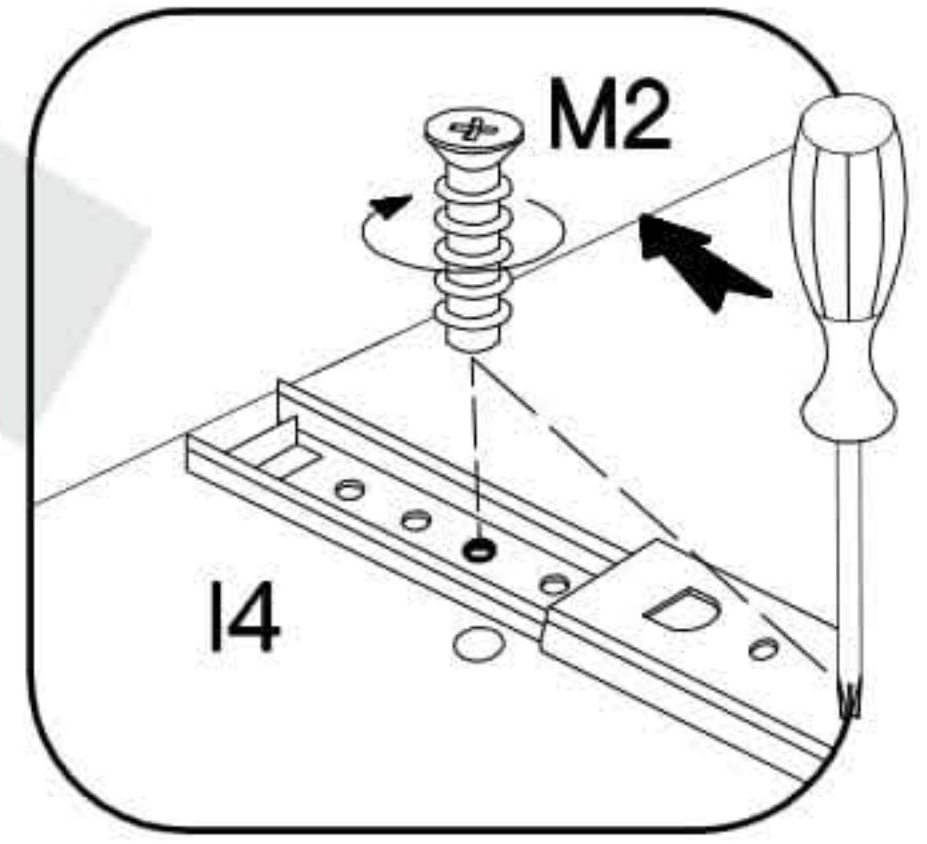
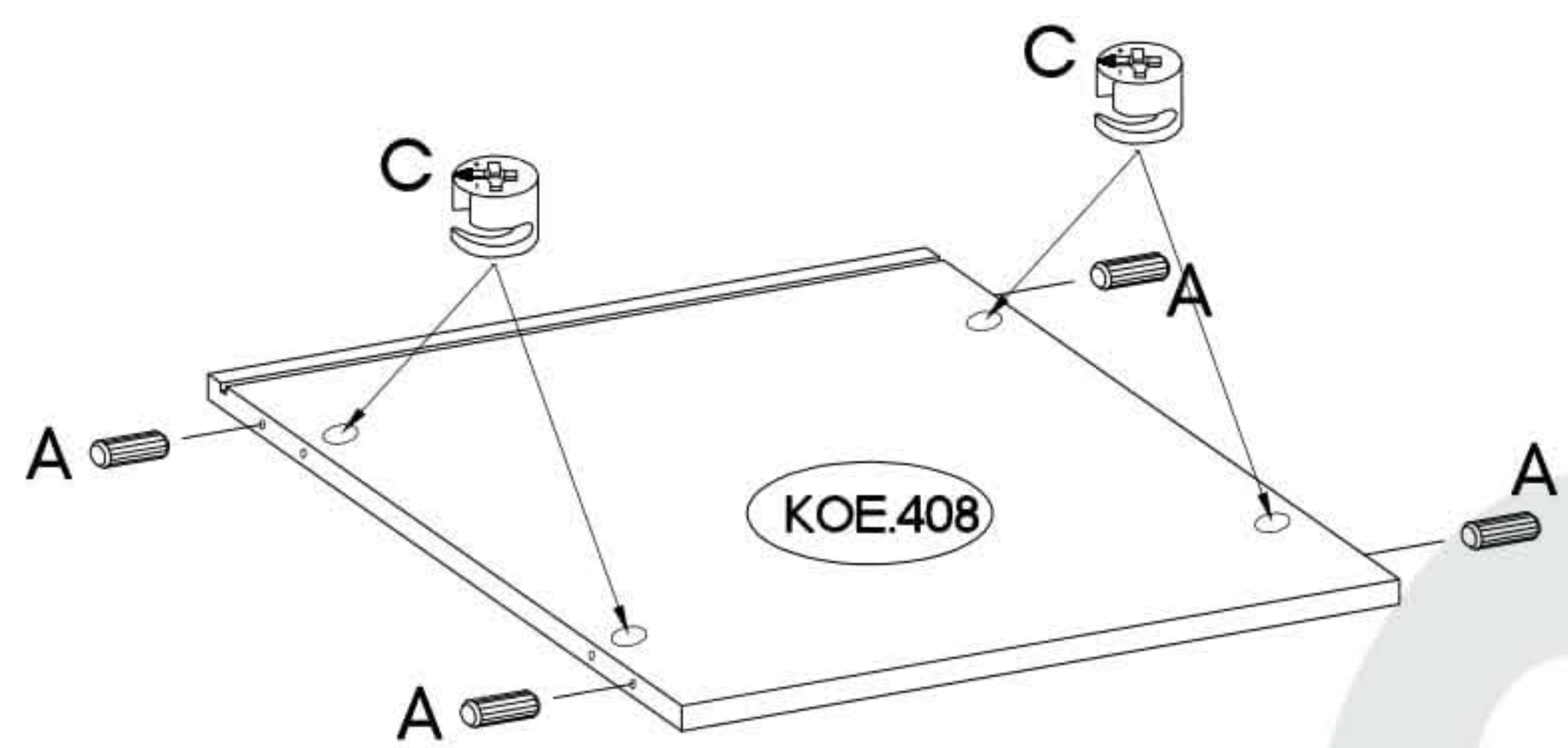
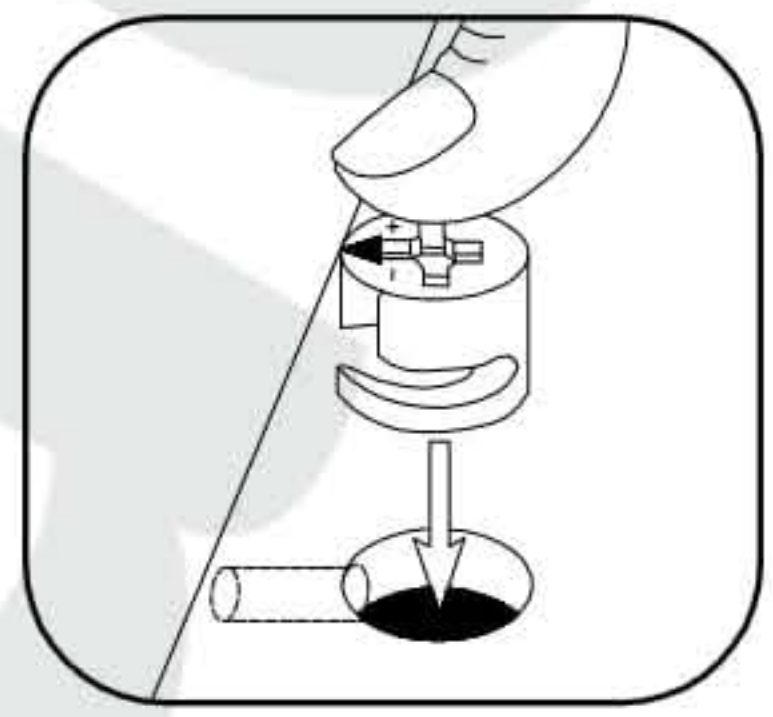
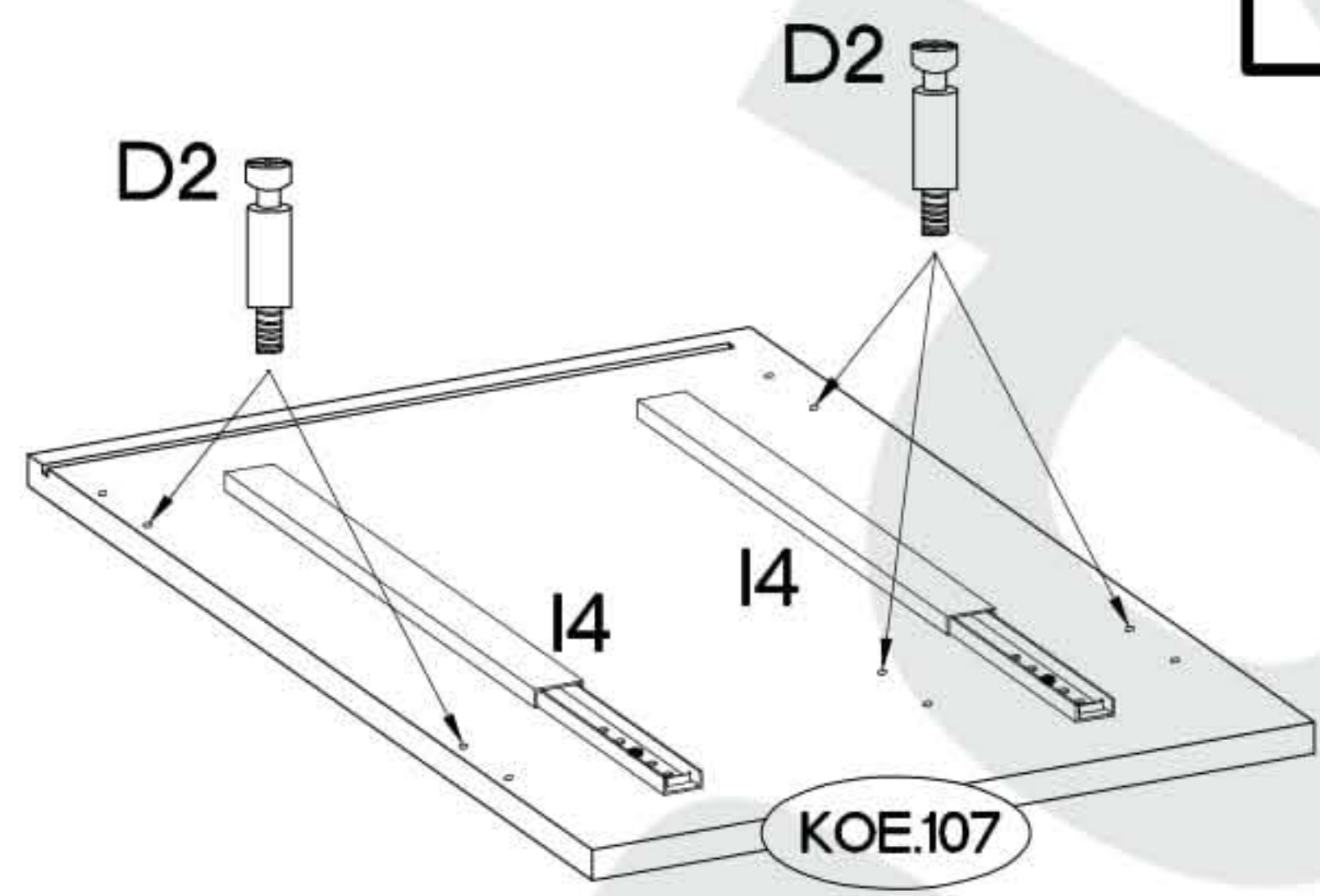
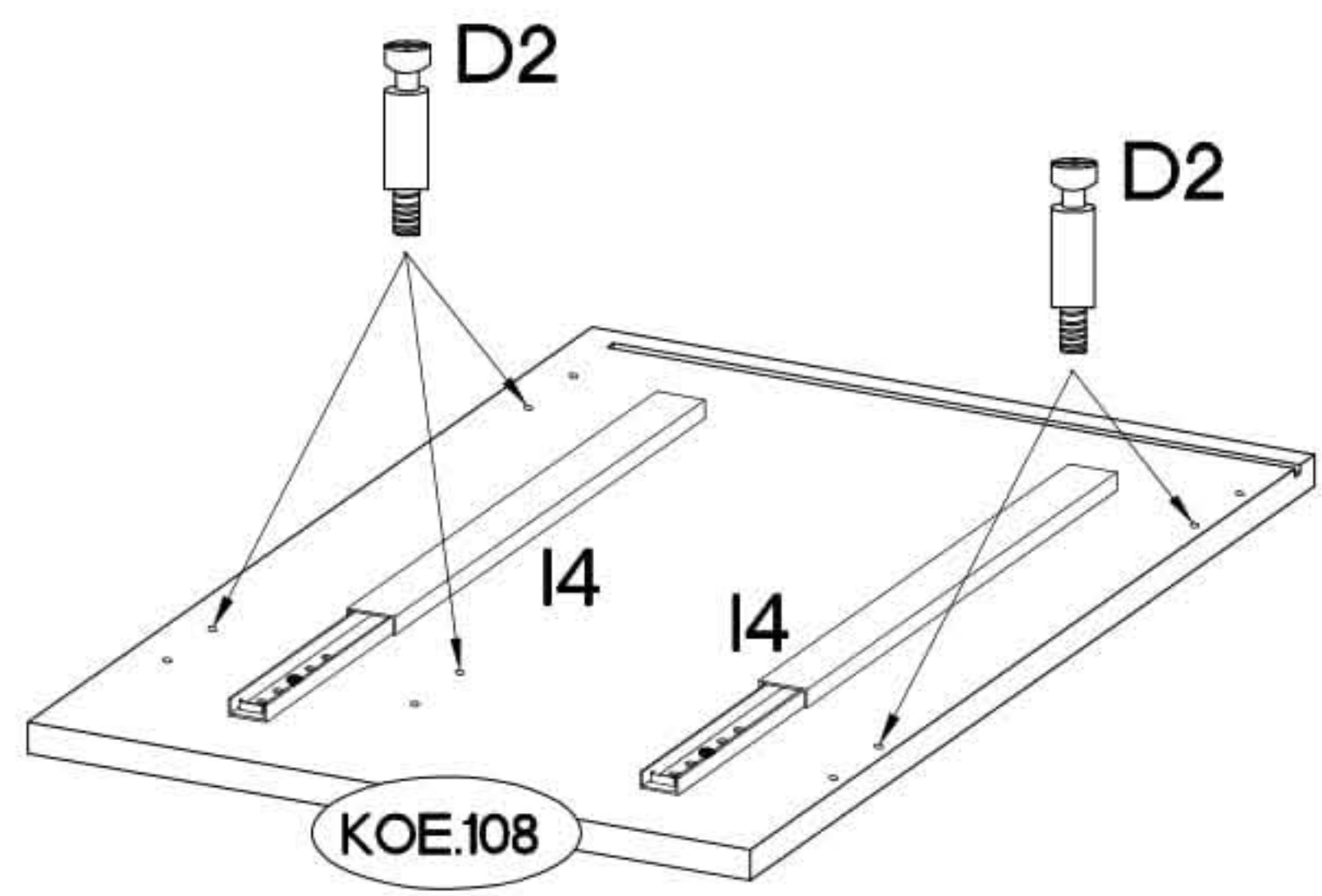
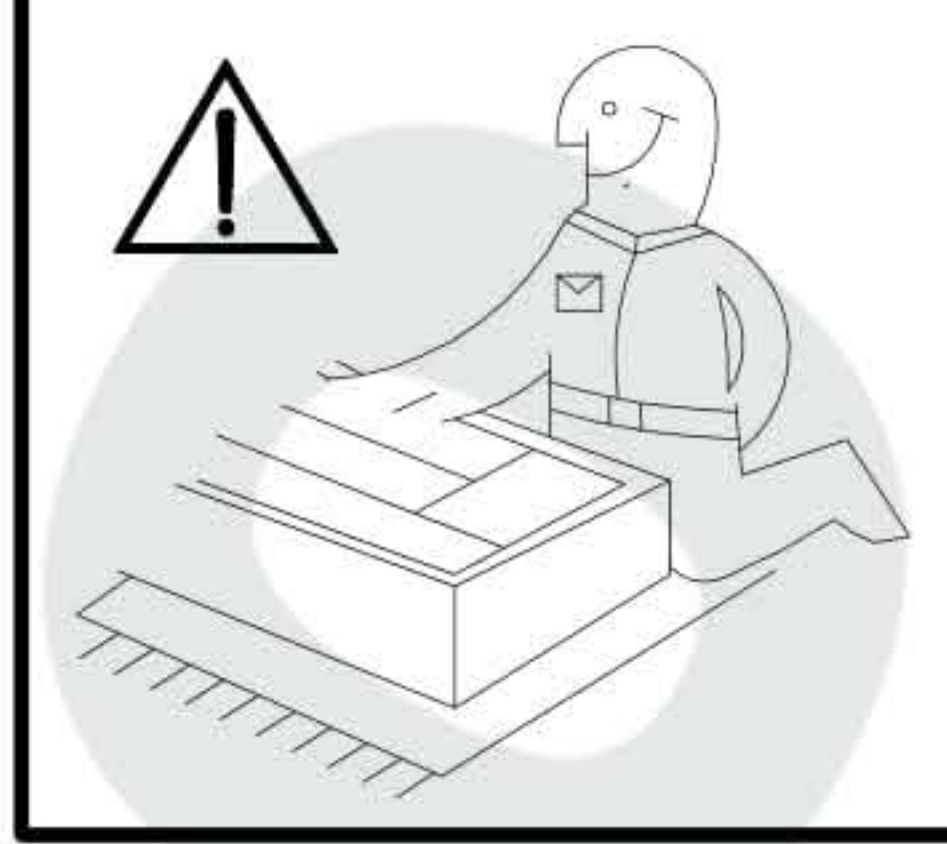
9



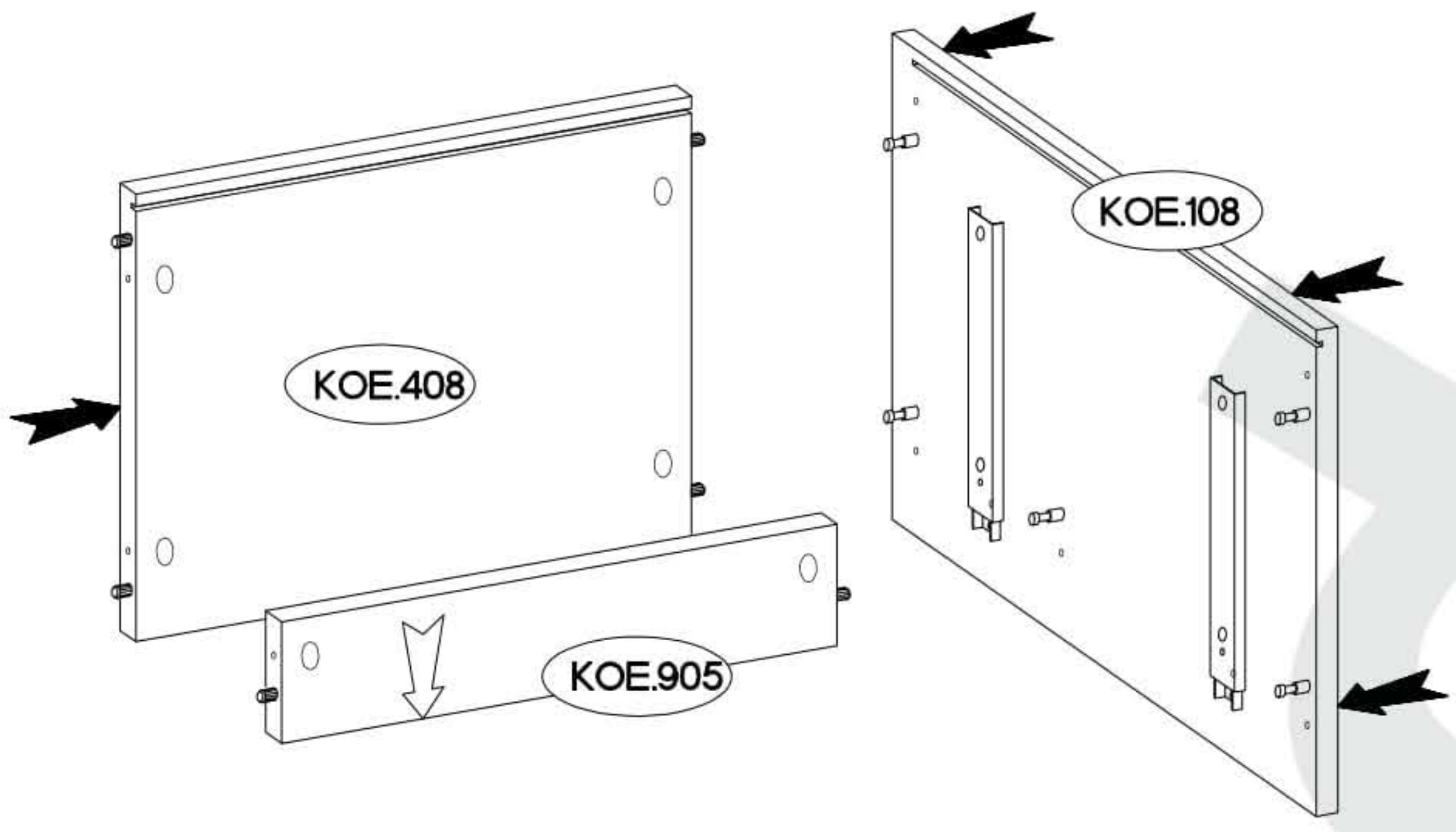
10



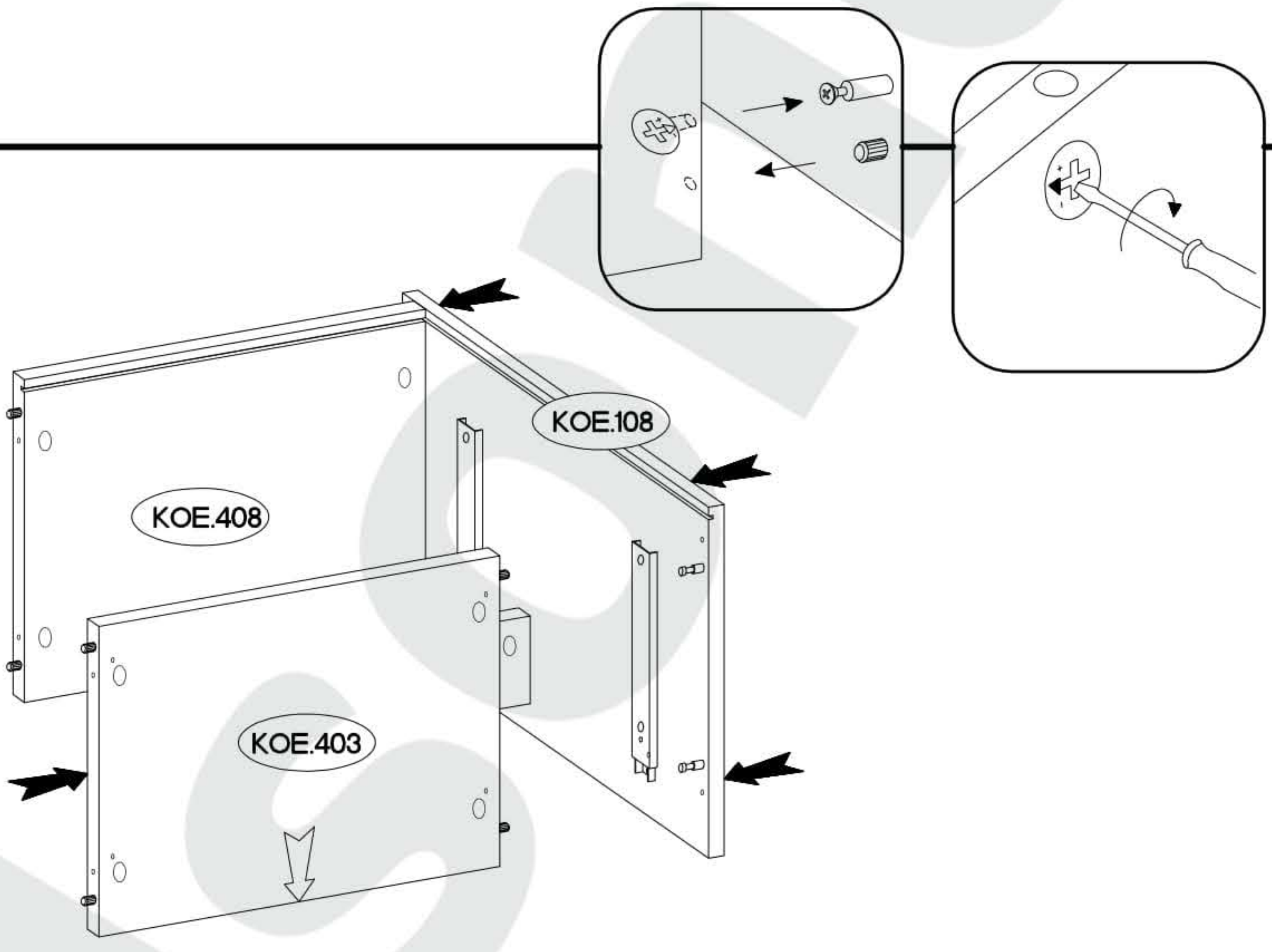
 8x30mm A 10	 15/12mm C 10	 L=20mm D2 10	 27/310mm I4 2	 6,3x13mm M2 8	 L33 2	 3.5x13mm P5 4
---	--	--	---	--	---	---



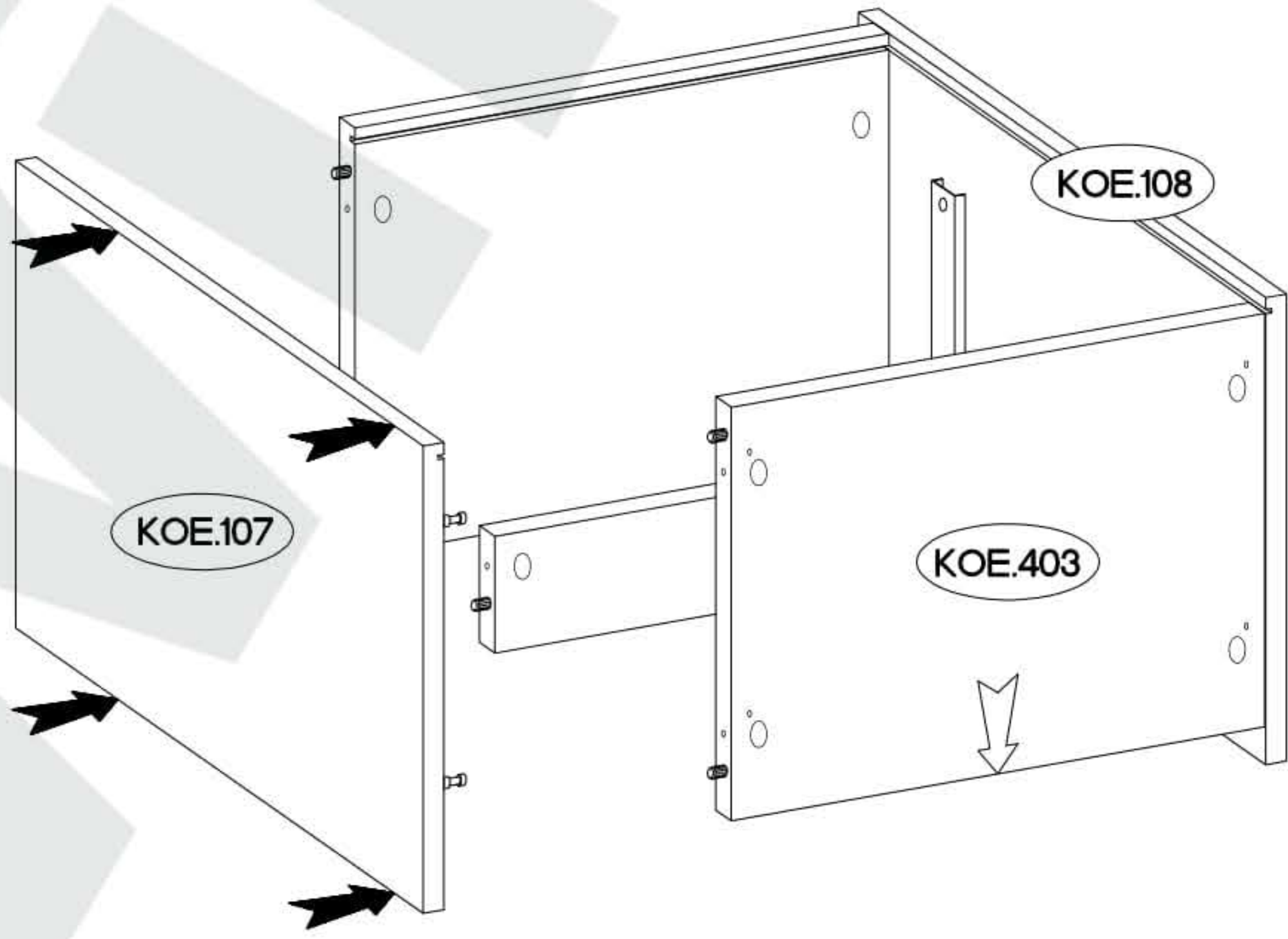
12


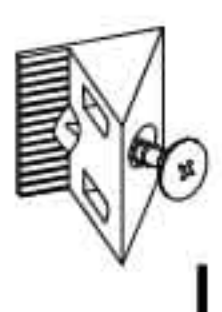


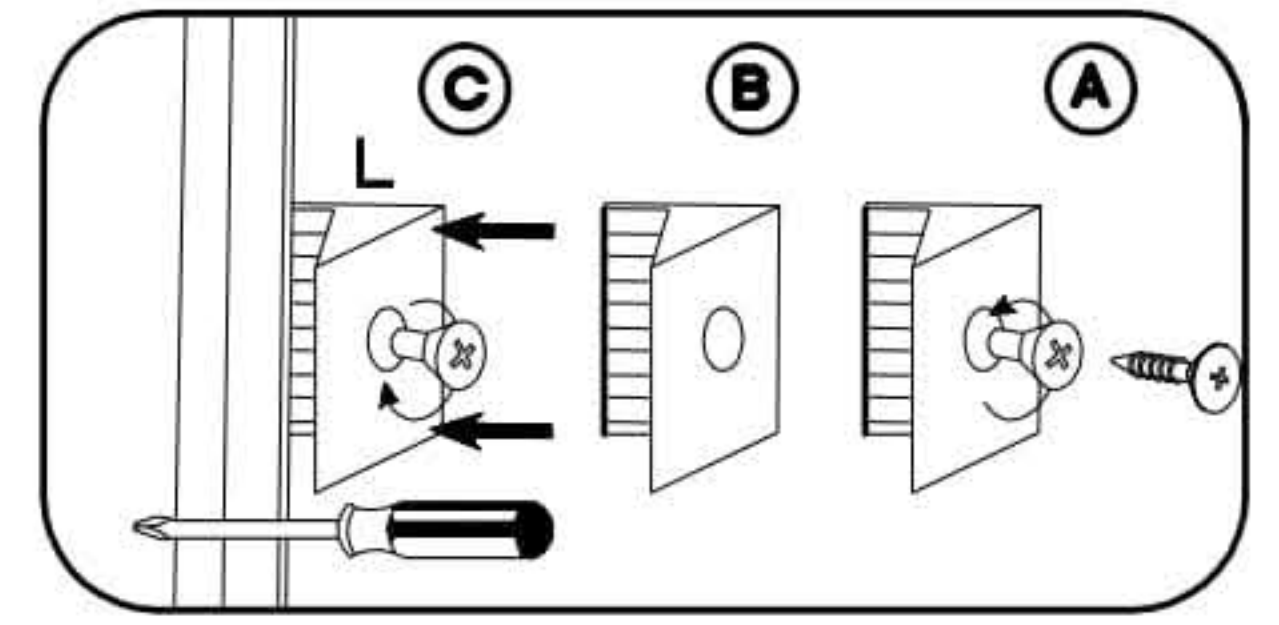
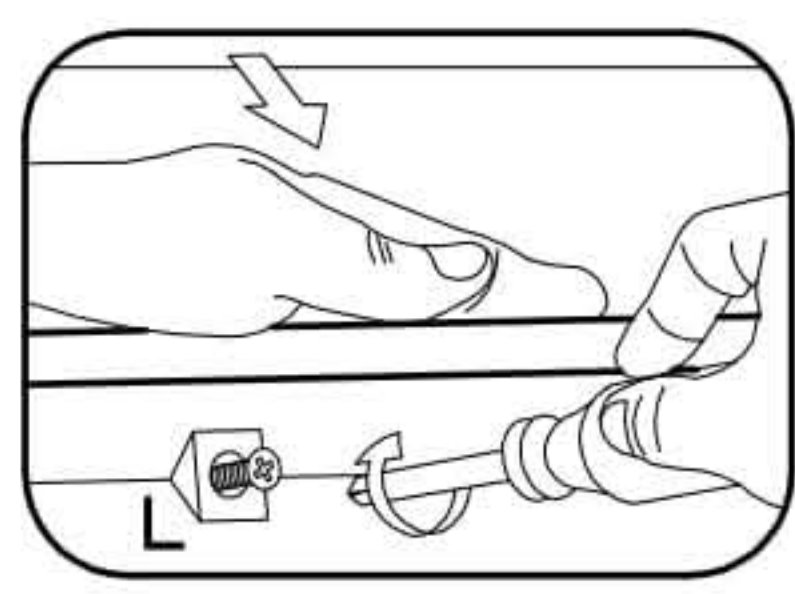
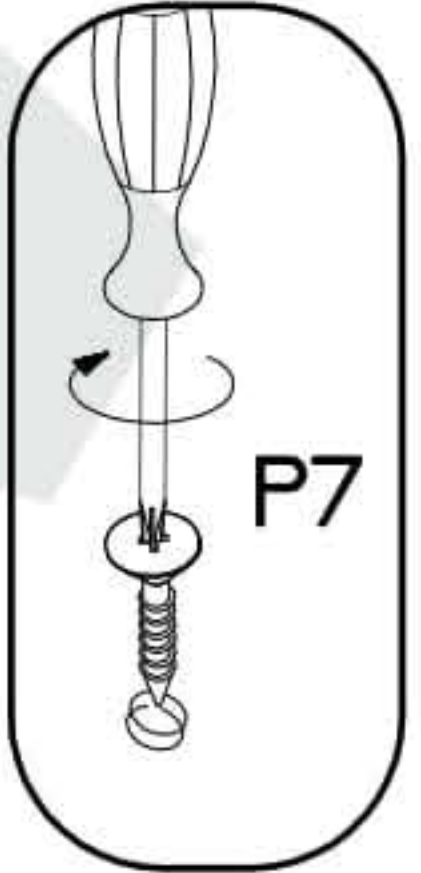
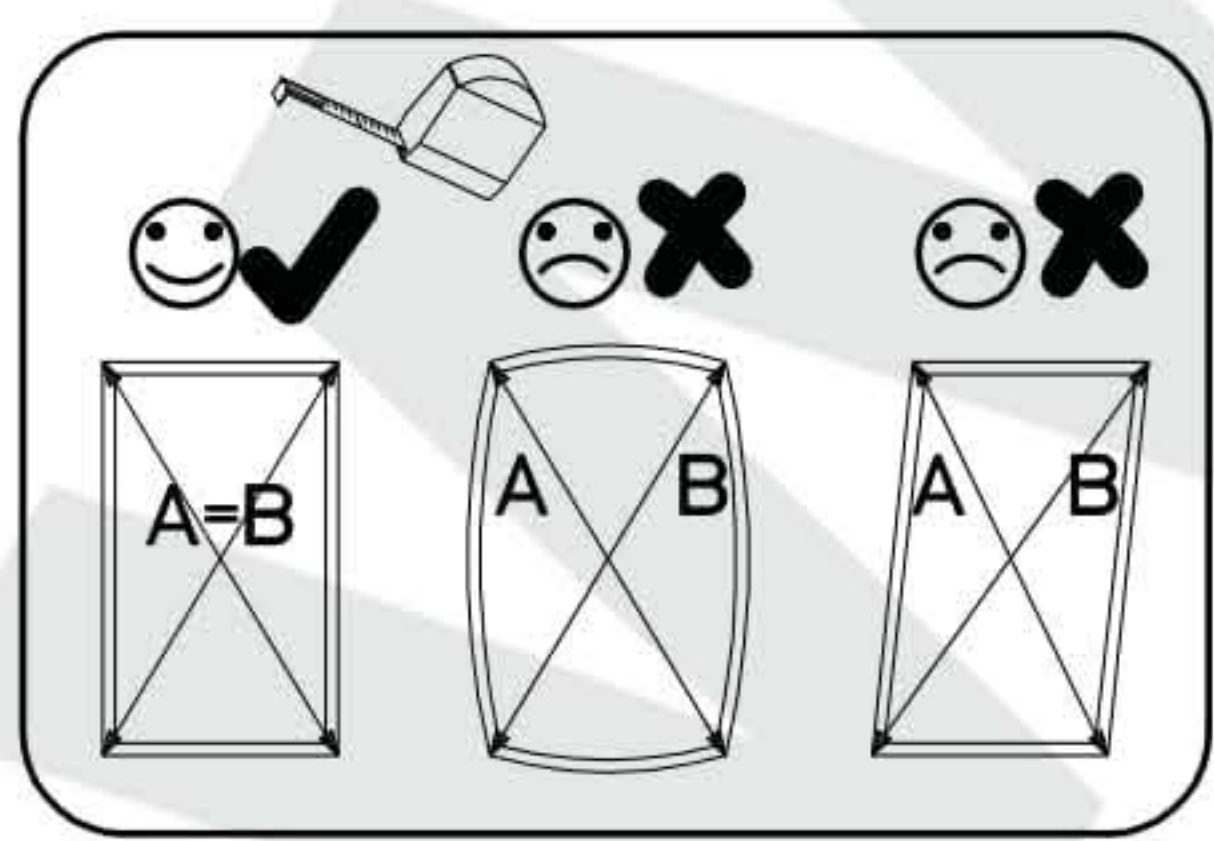
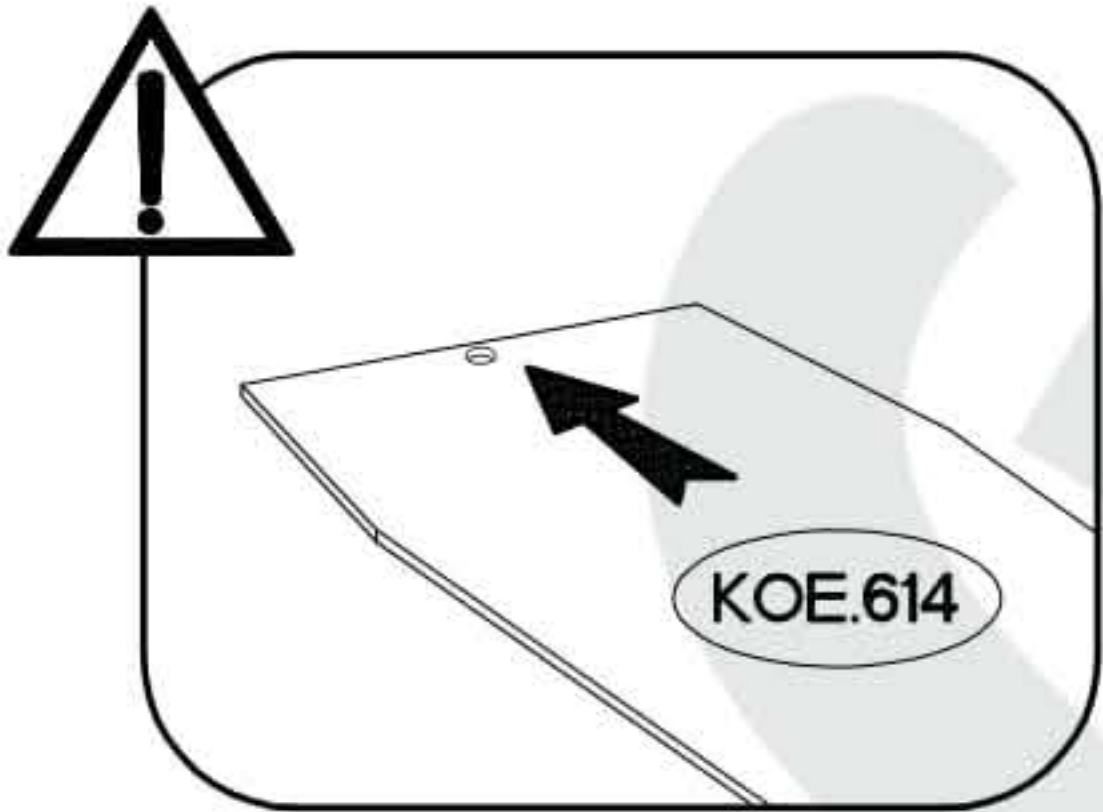
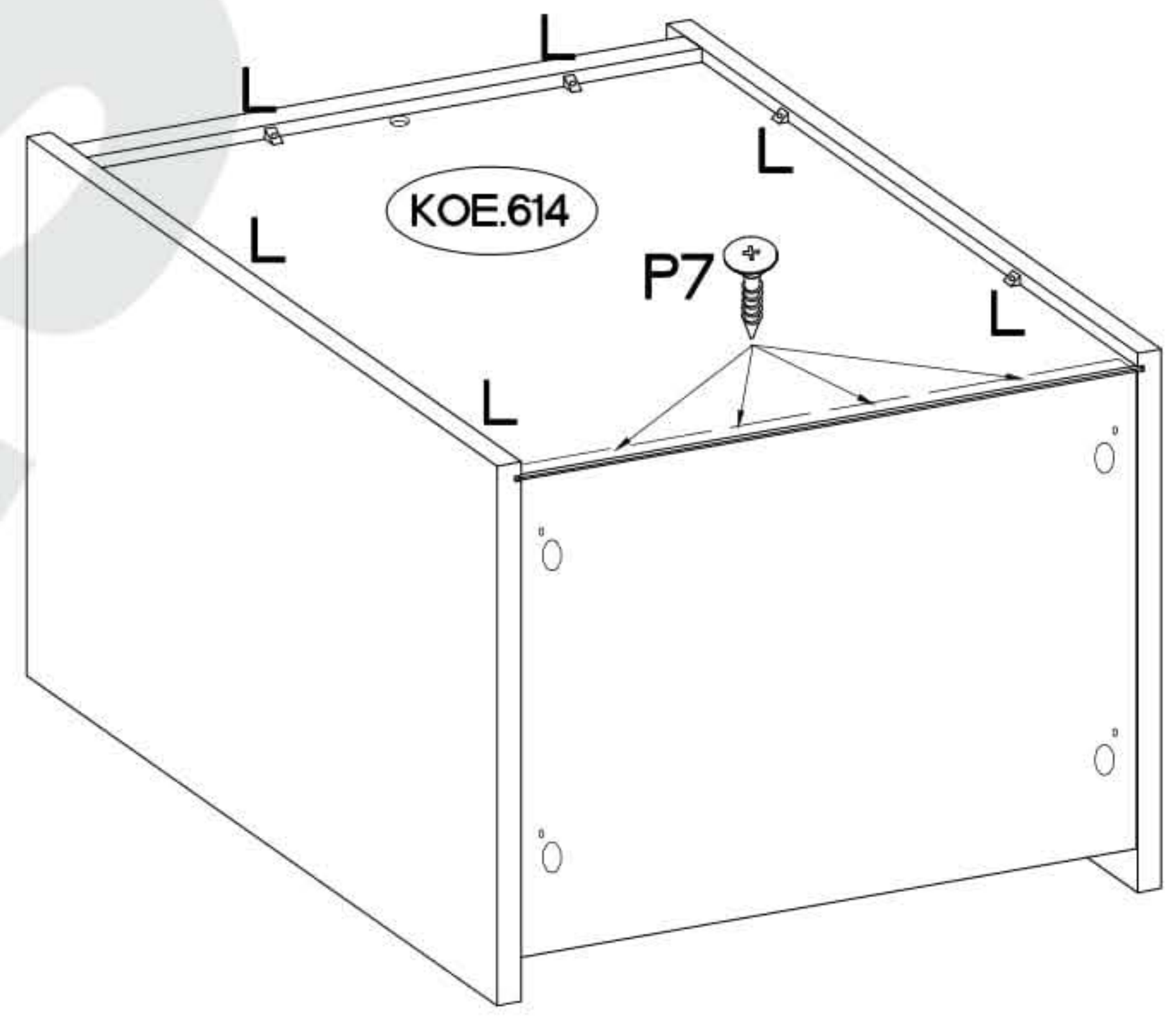
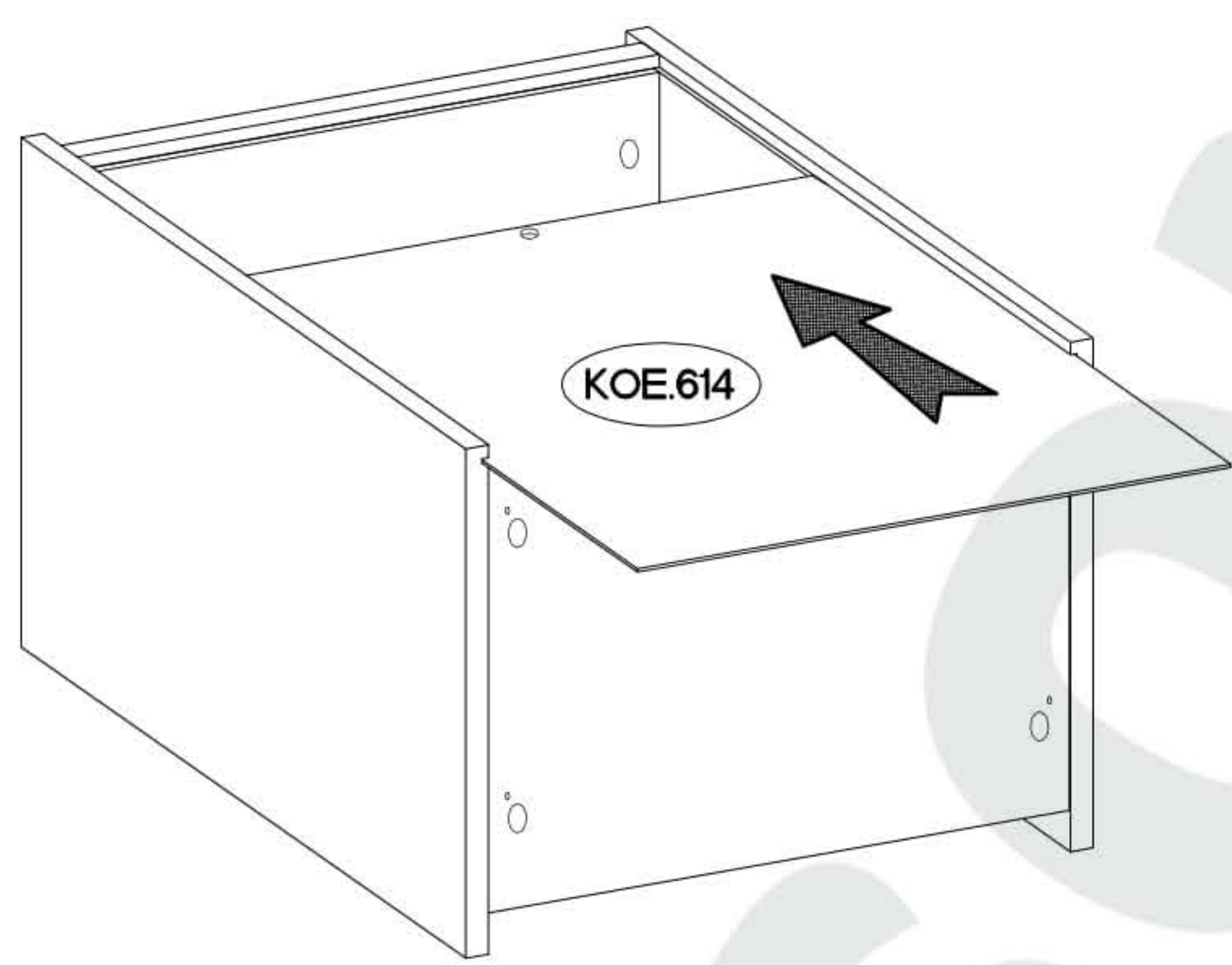
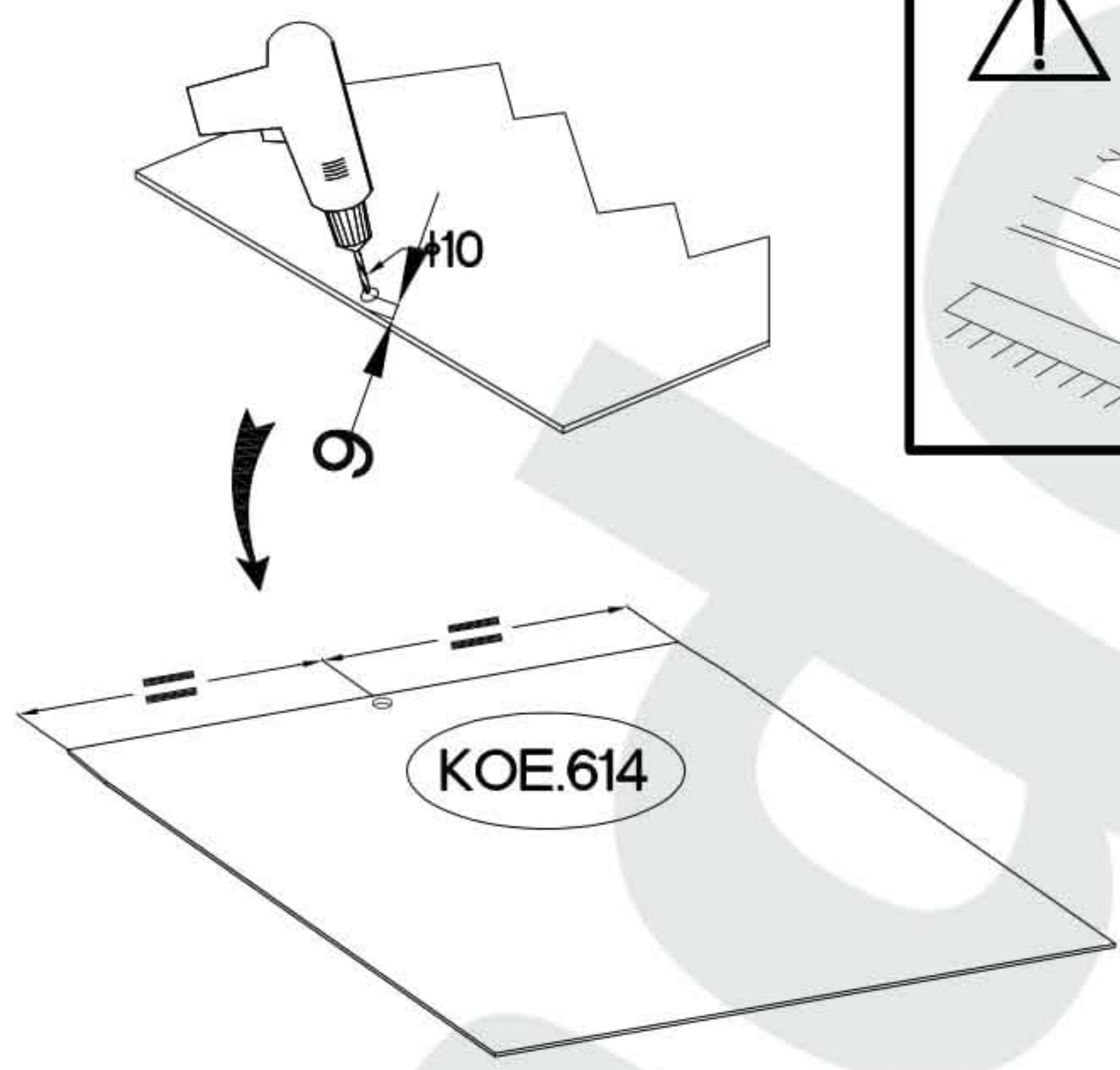
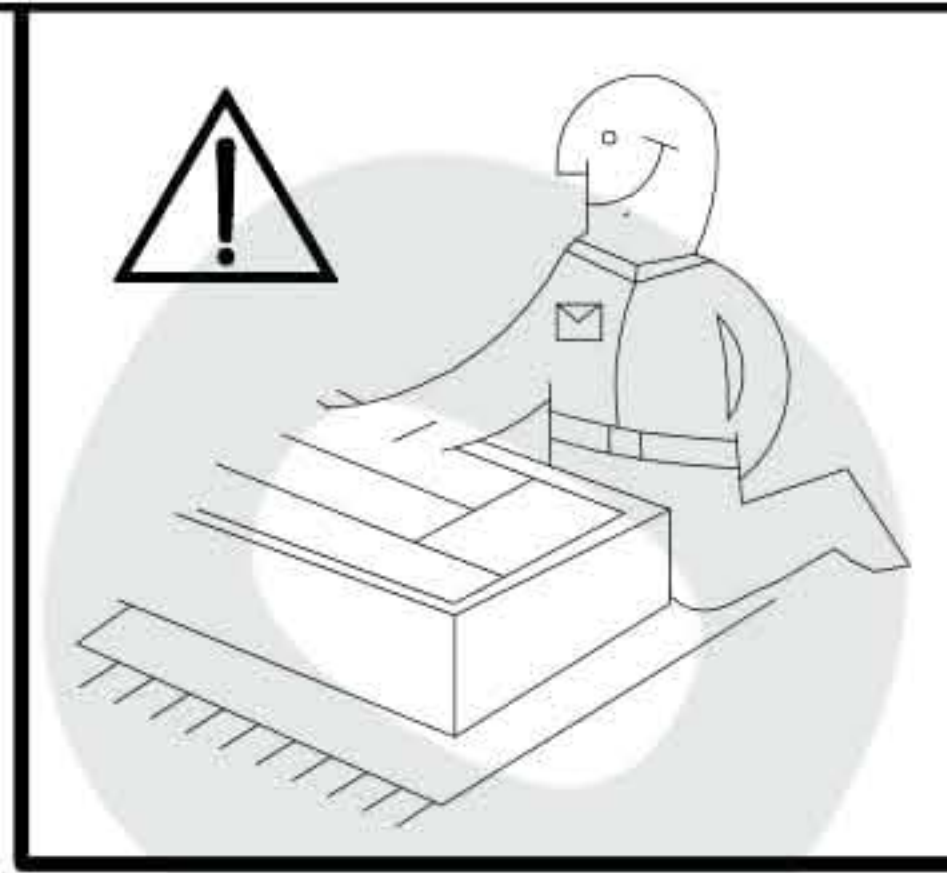
13






14

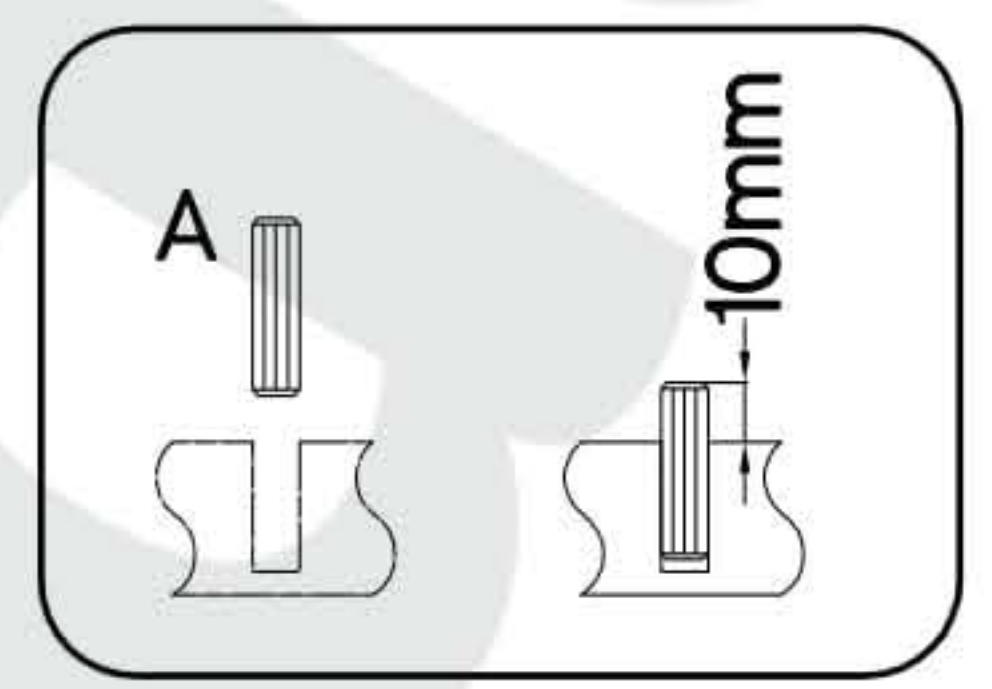
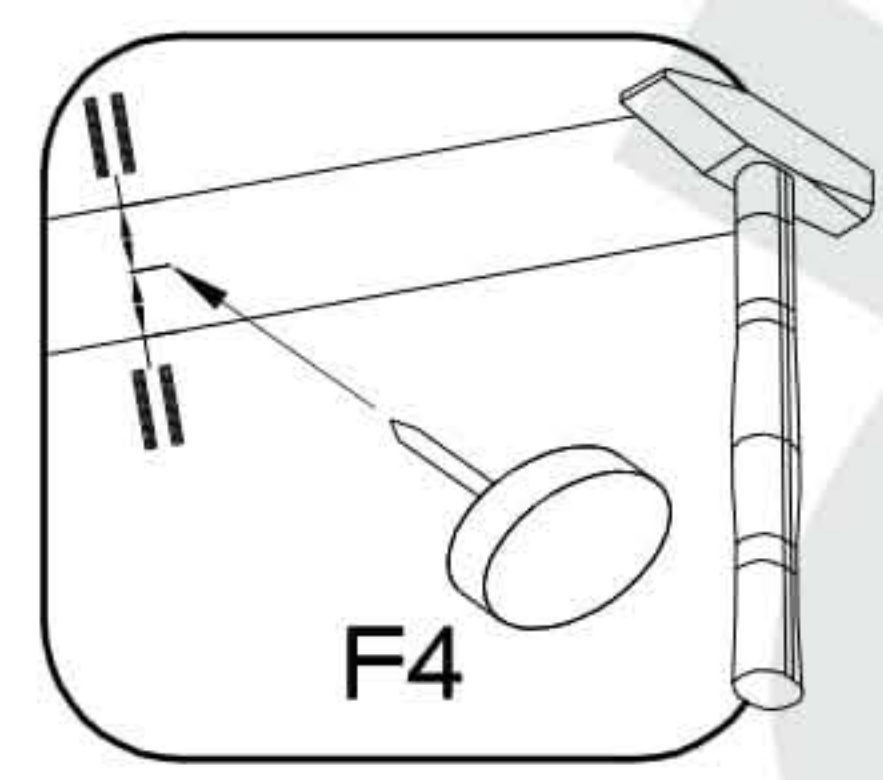
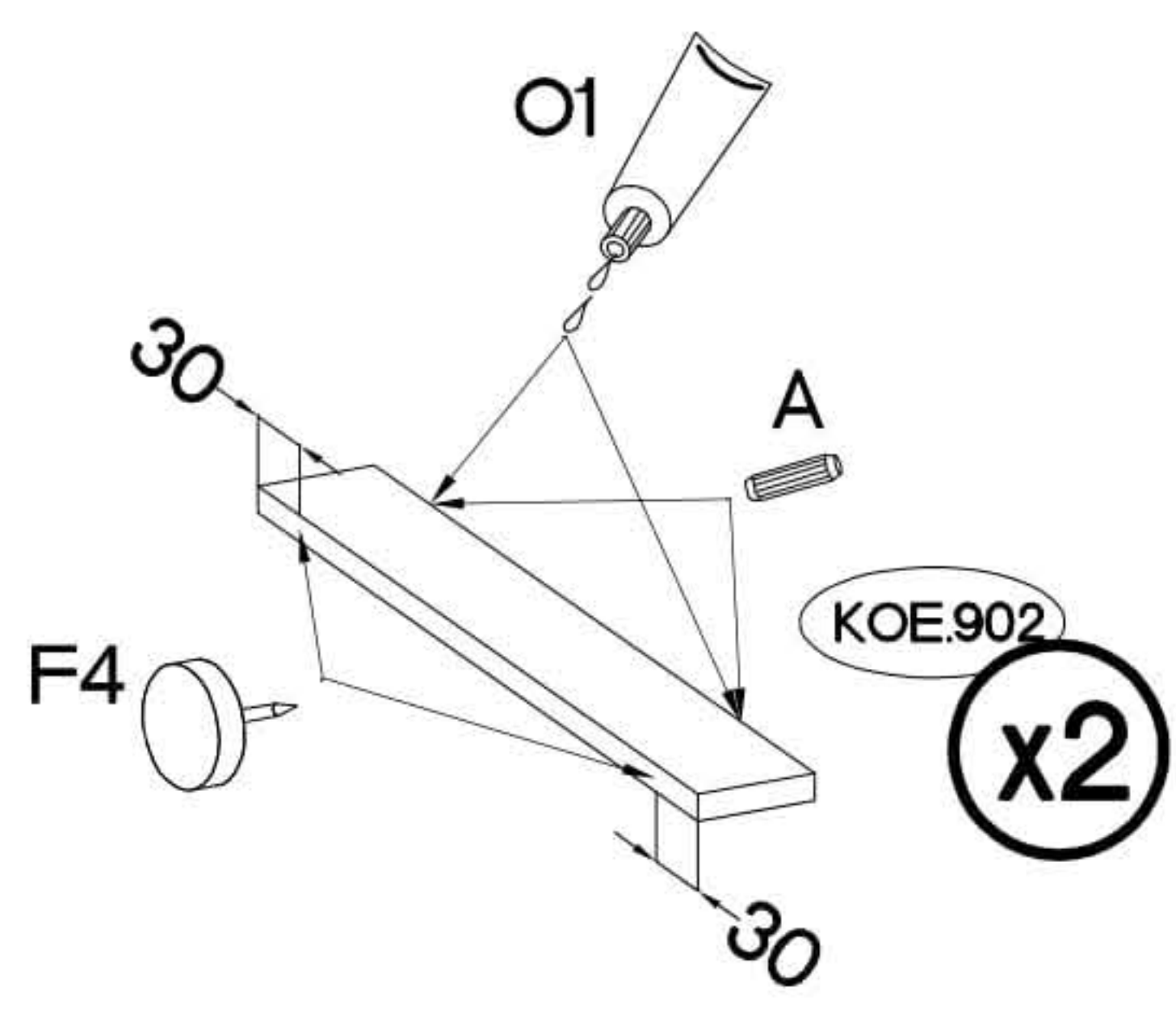
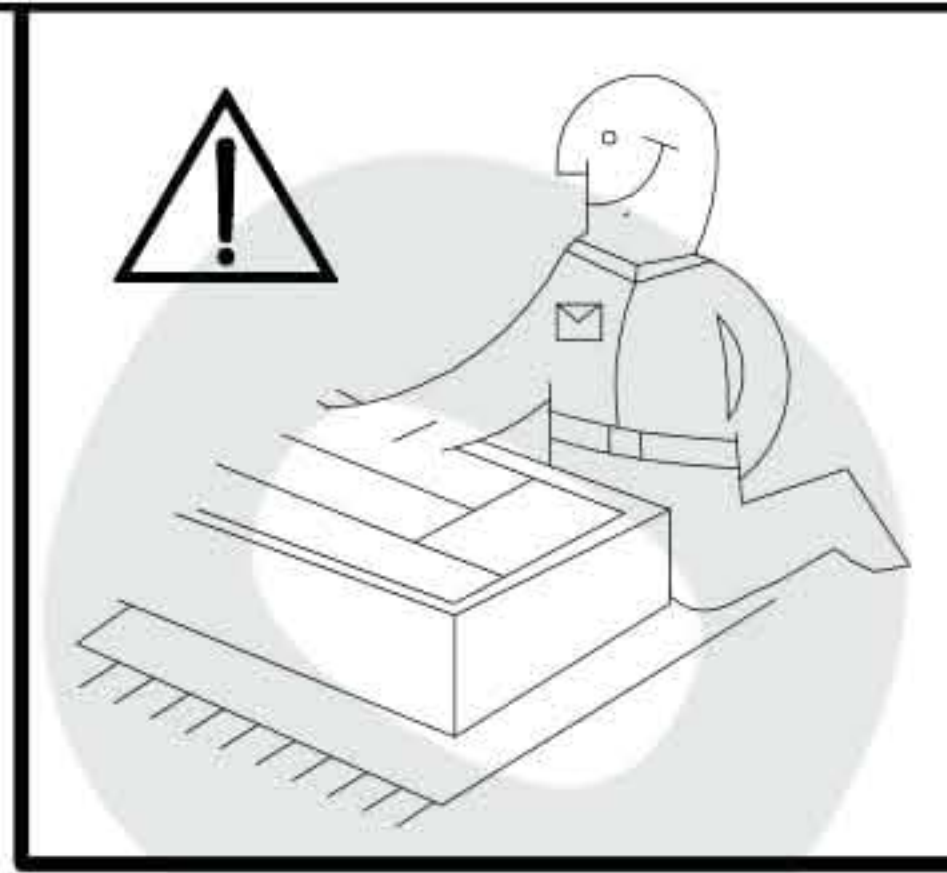


+3.0x20mm	
	
P7	L
4	6

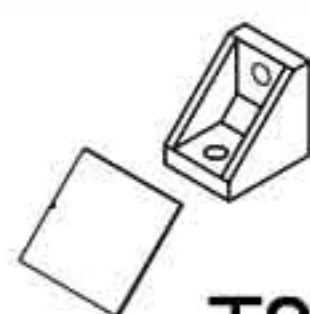



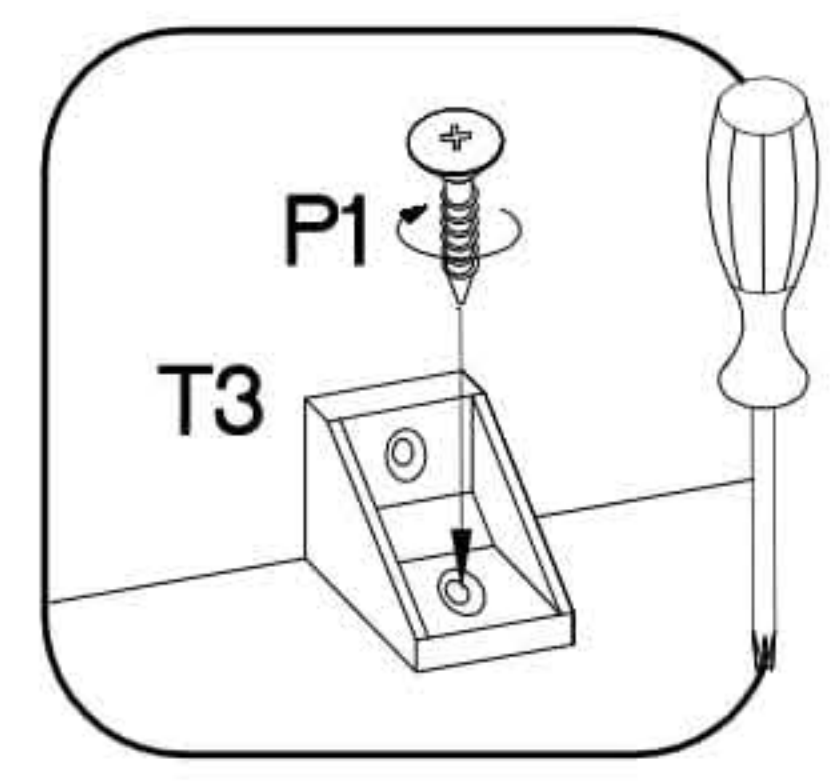
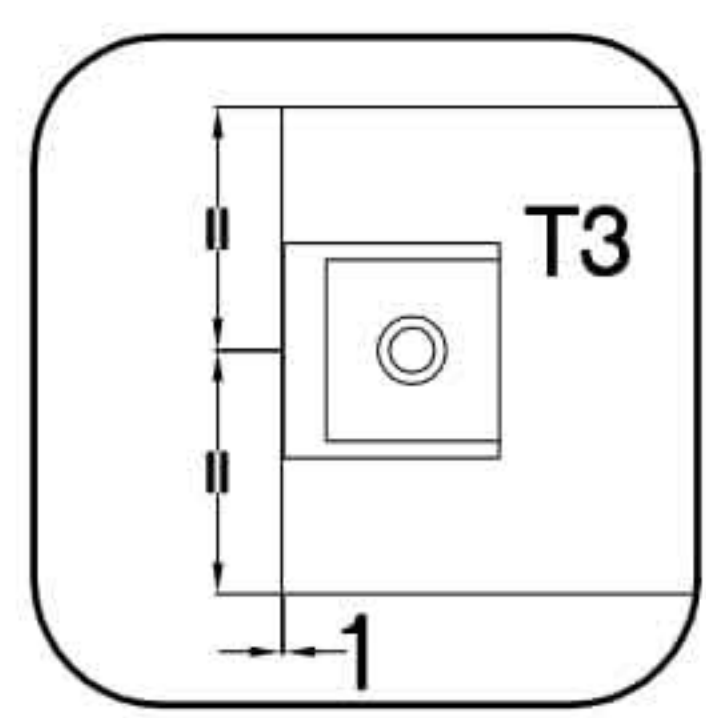
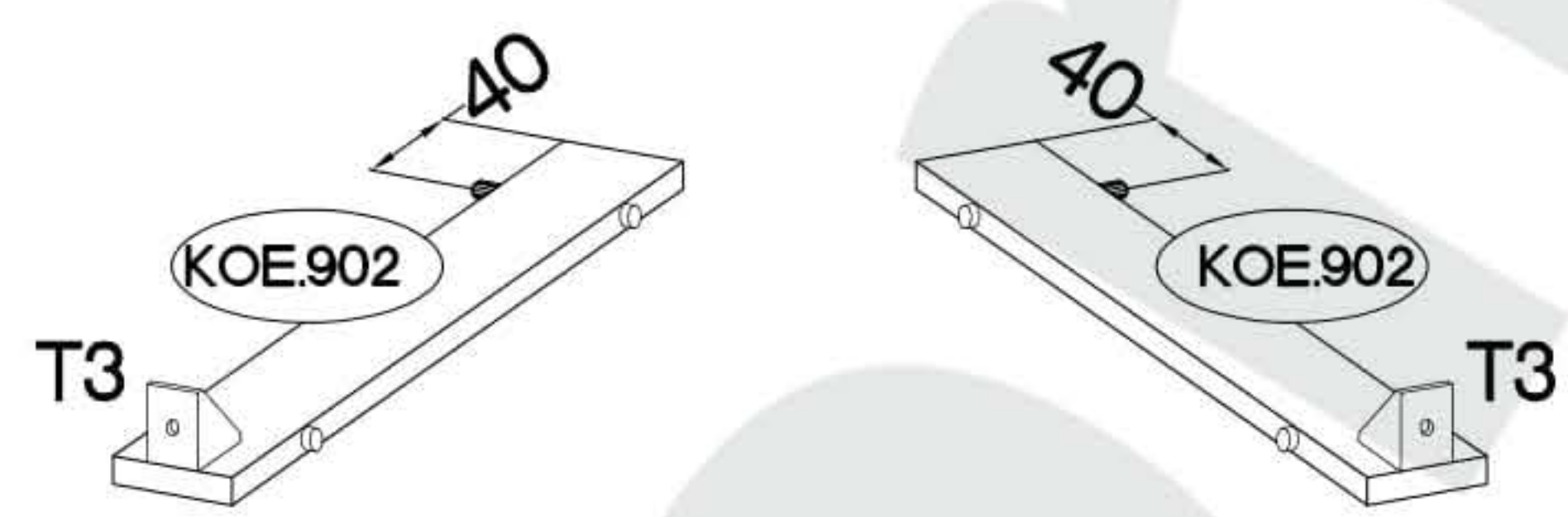
16

±15x5mm  F4 4	 O1 1	±8x30mm  A 4
--	---	---




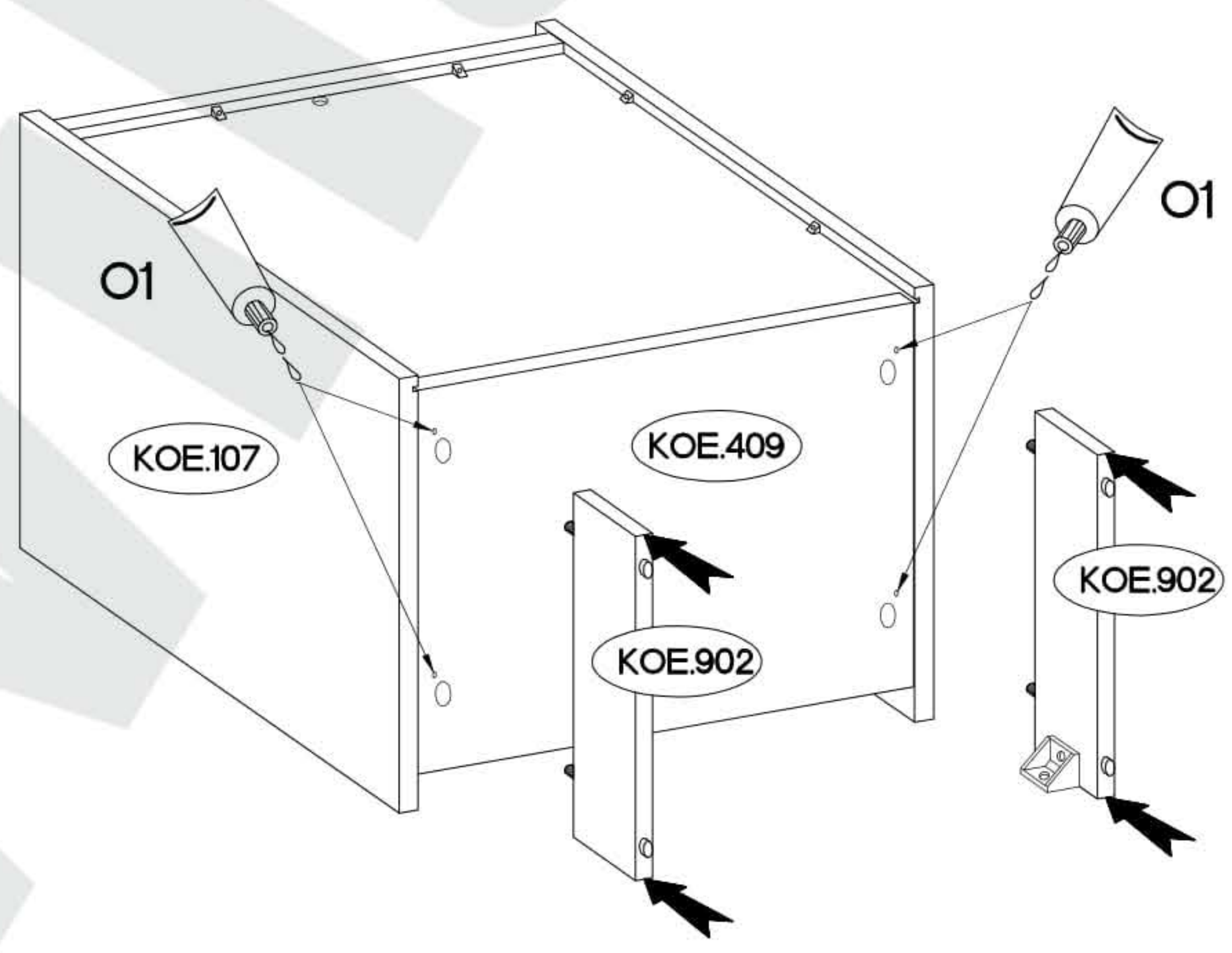
17

 T3 3	±4.0x16mm  P1 3
---	--




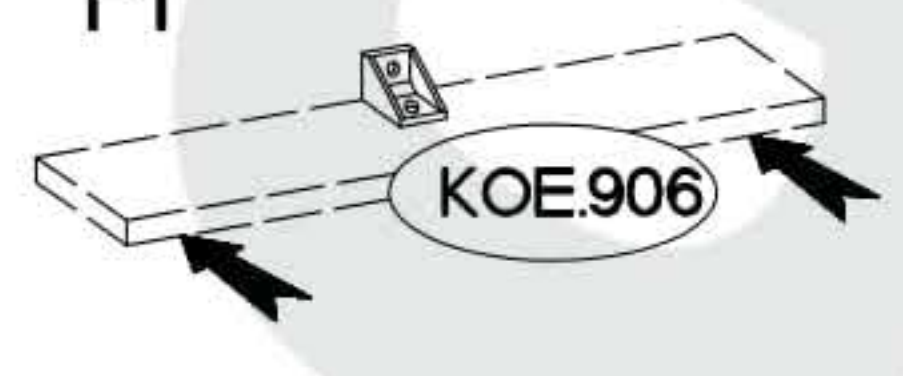
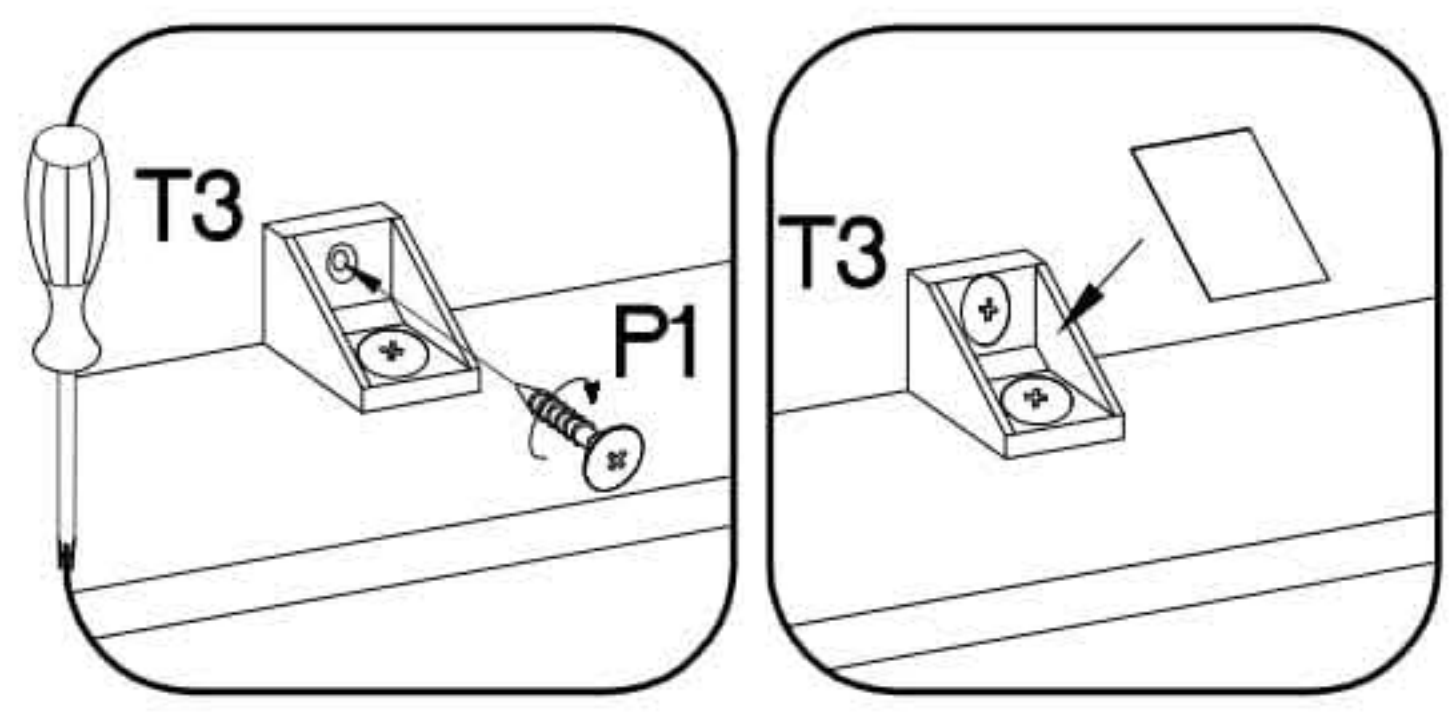
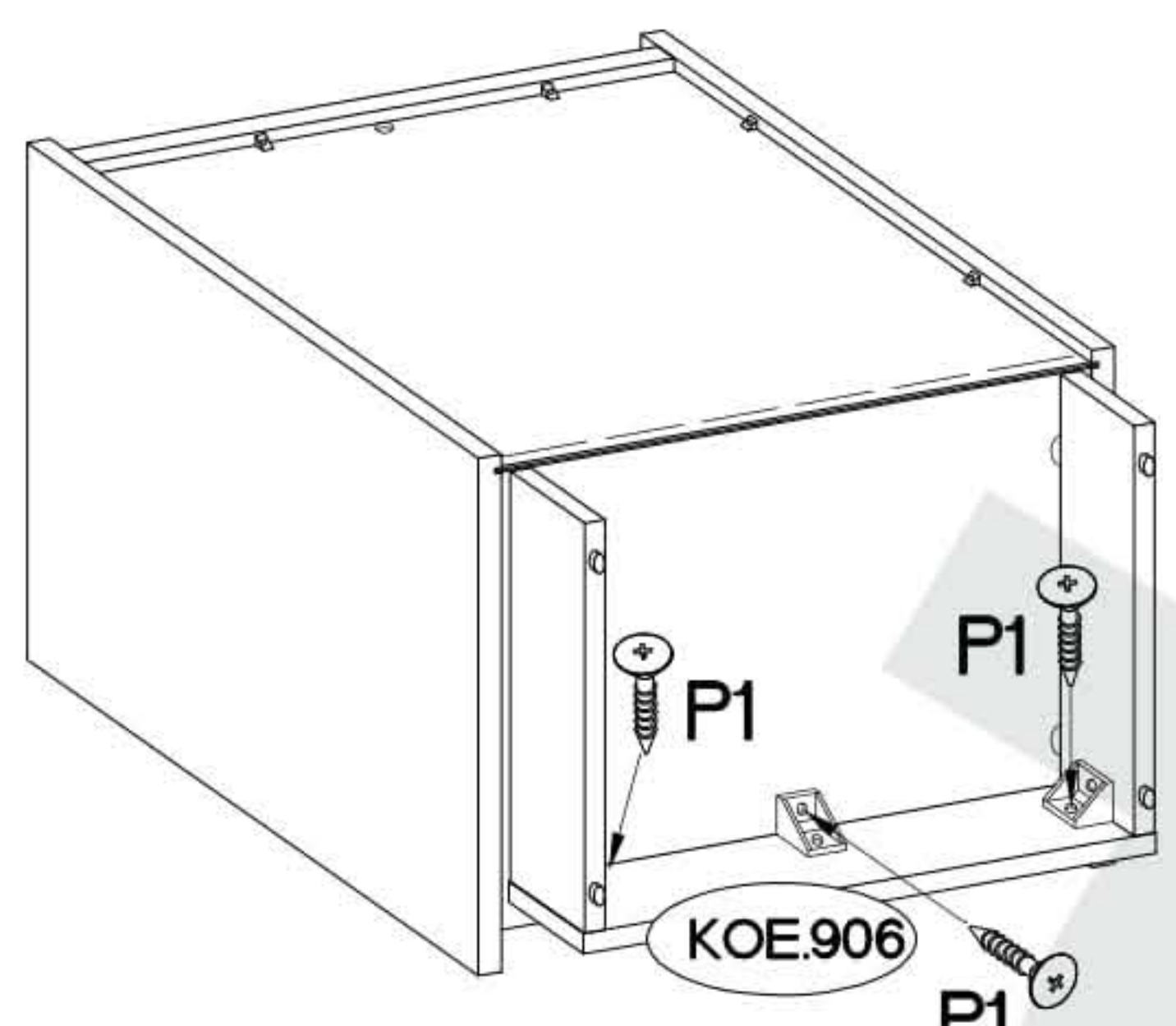
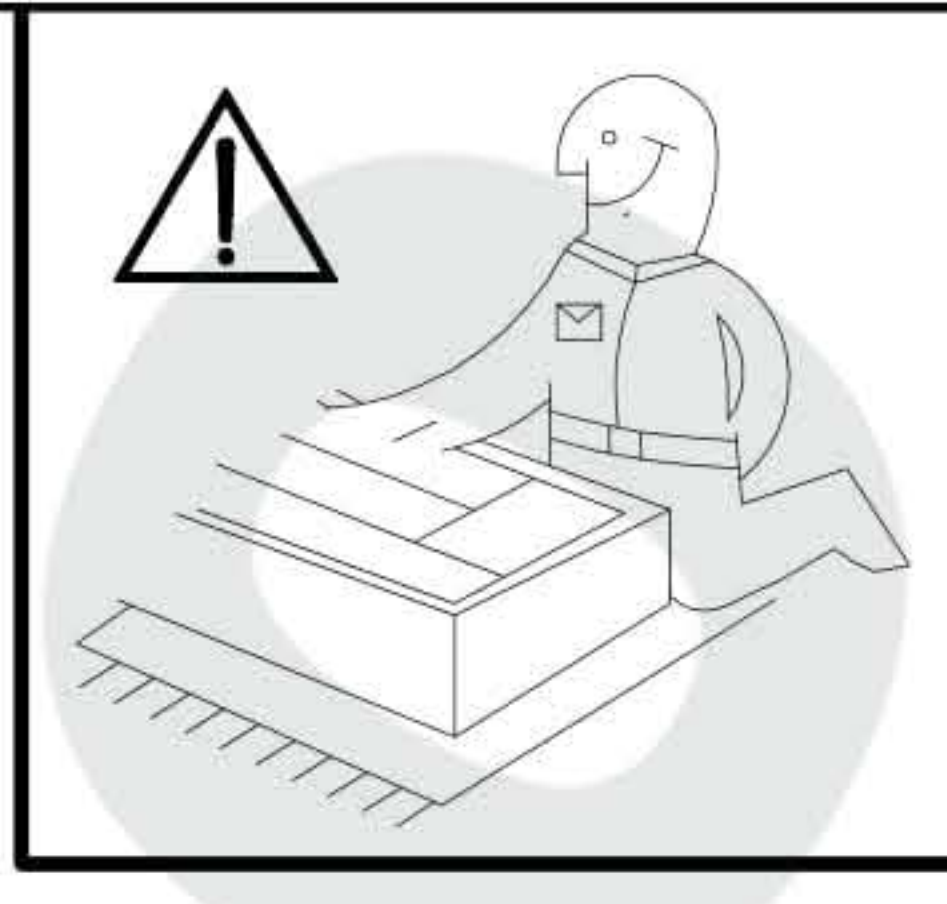
18

 O1 1
--






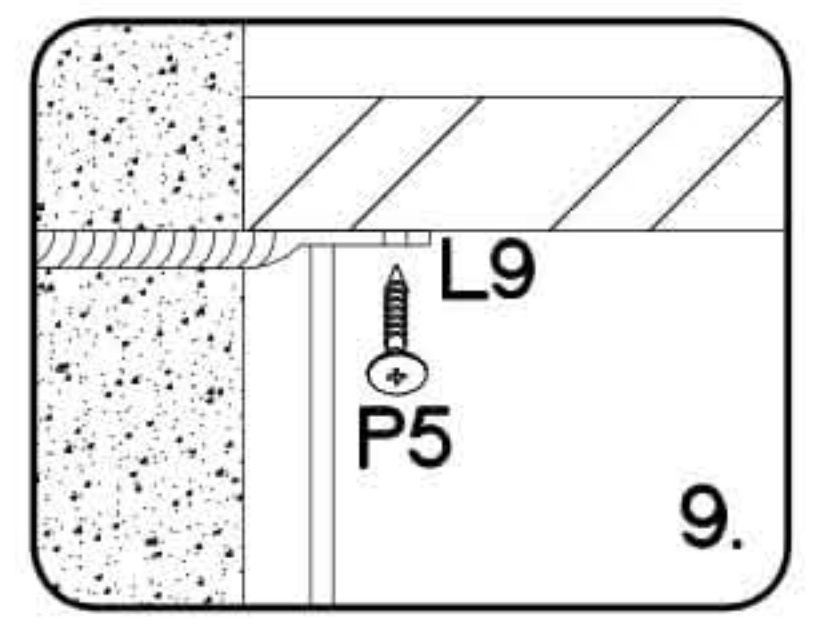
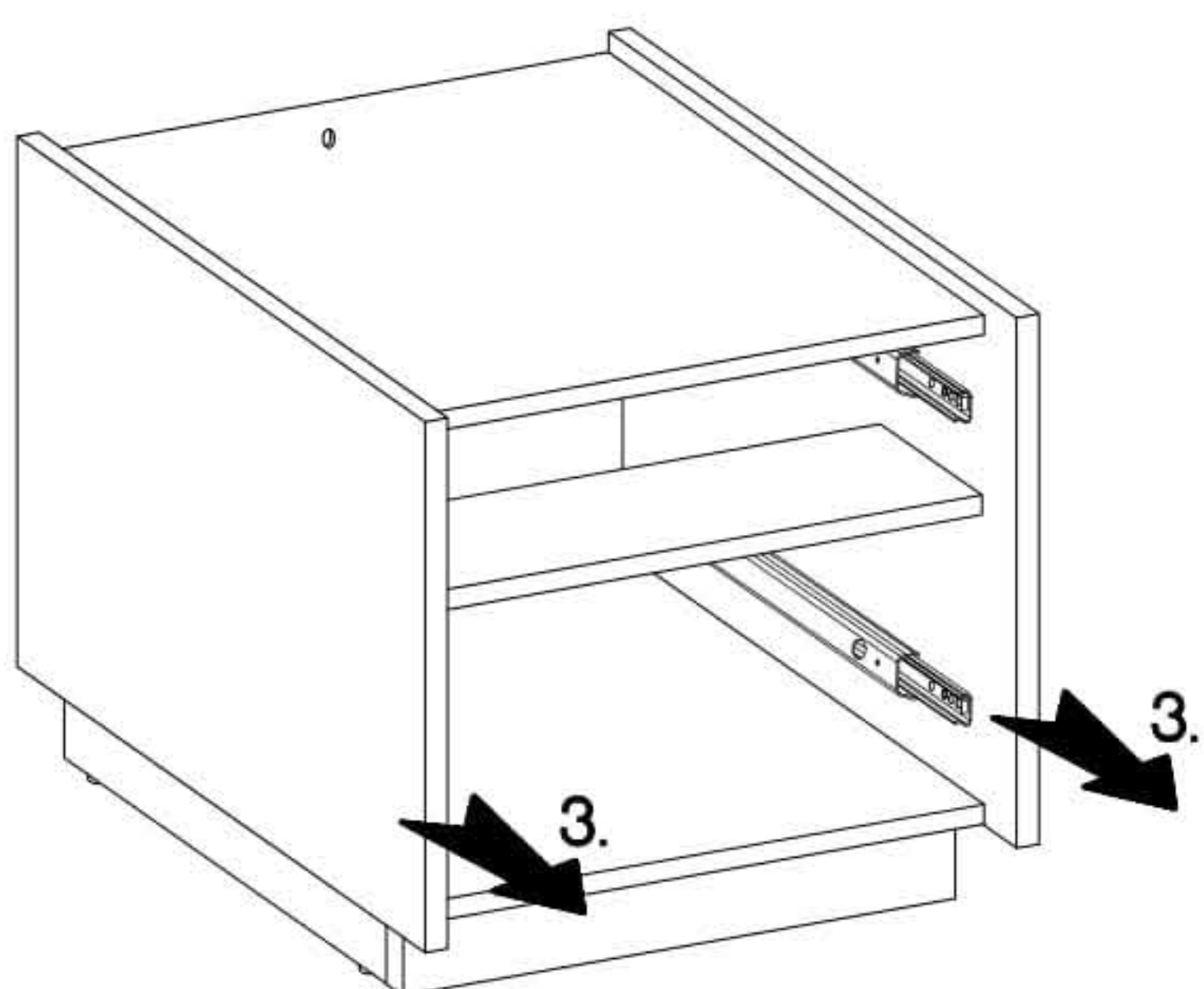
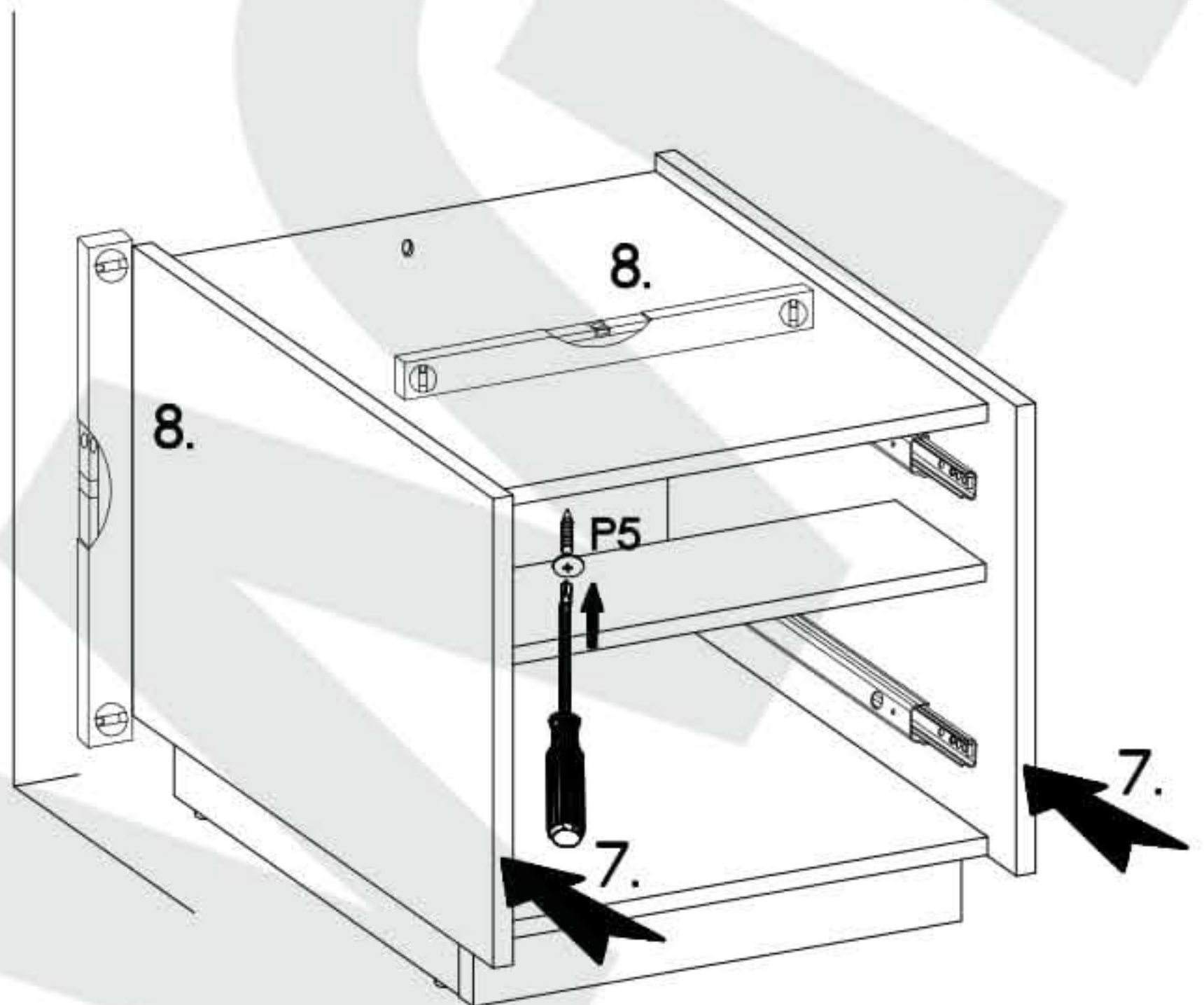
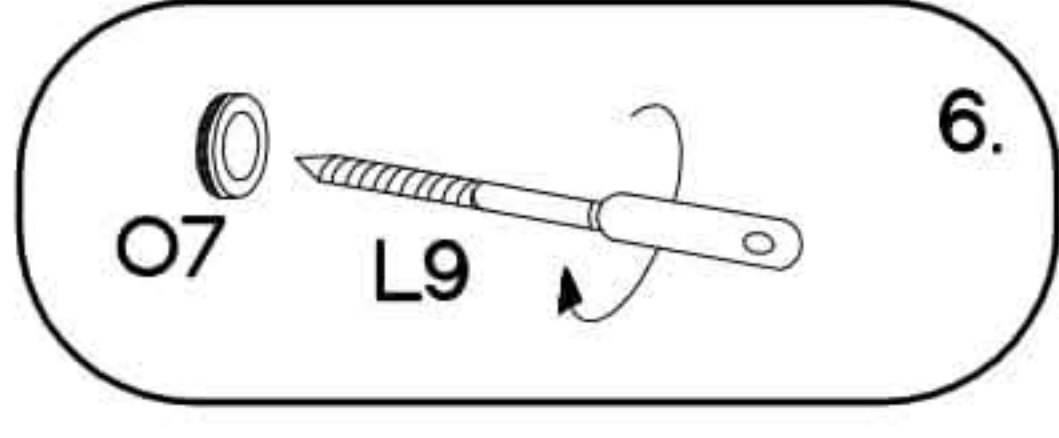
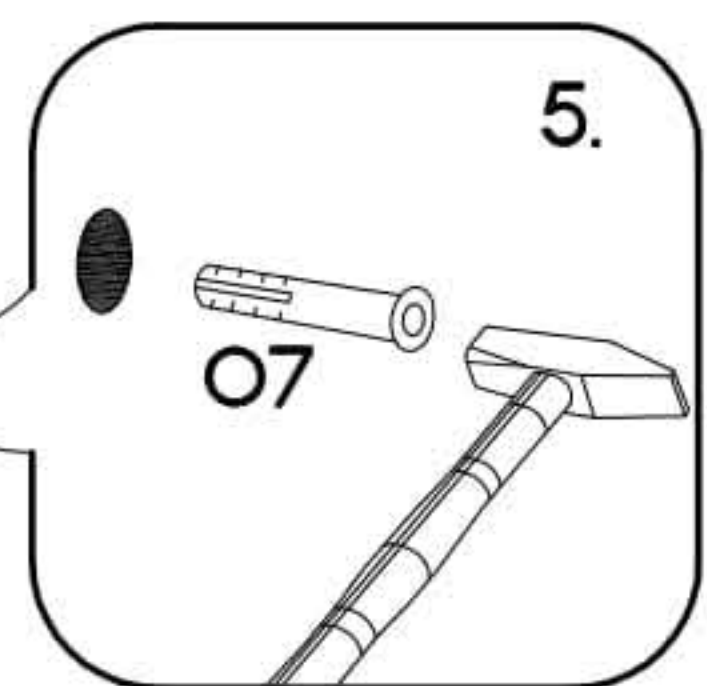
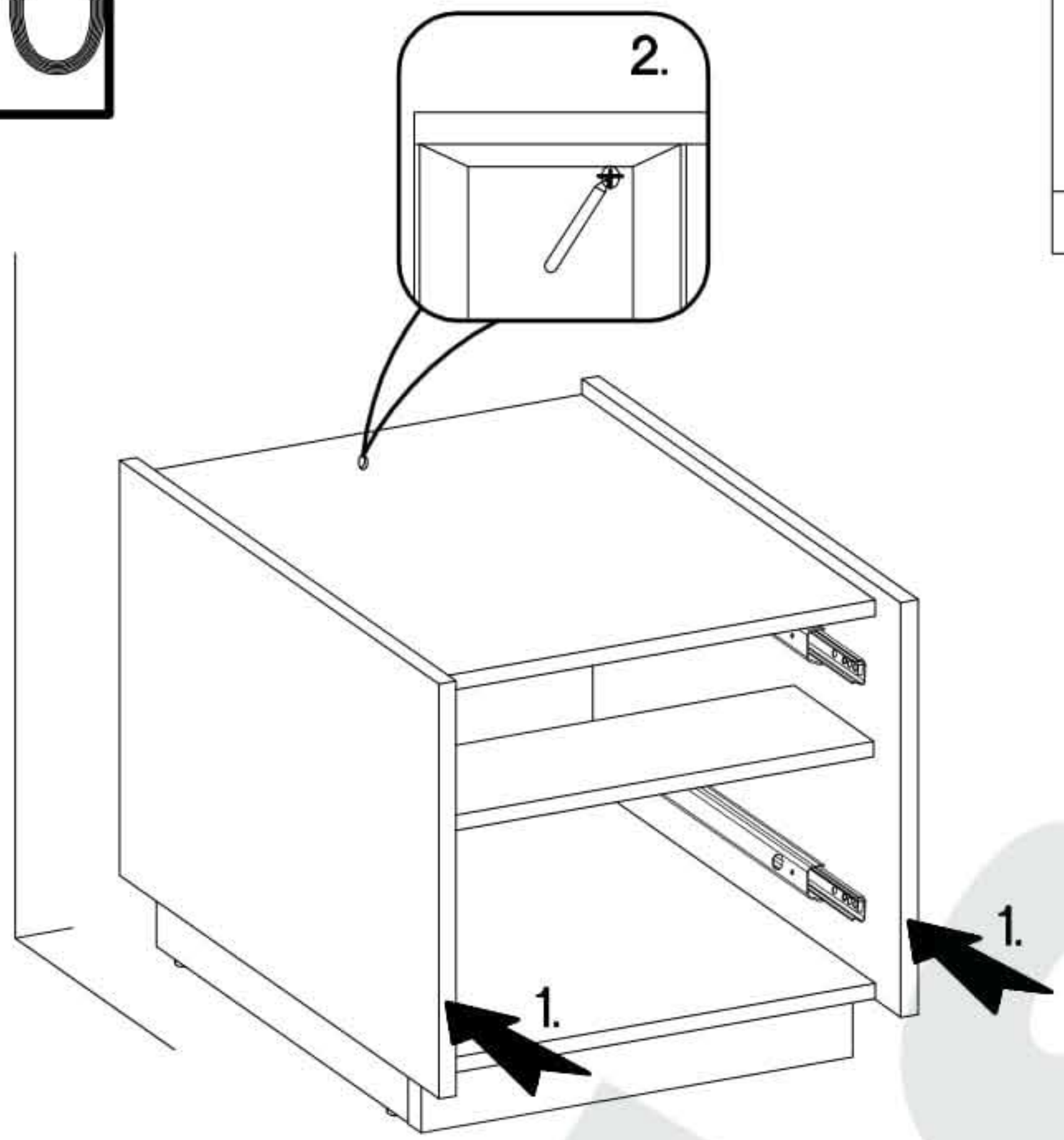
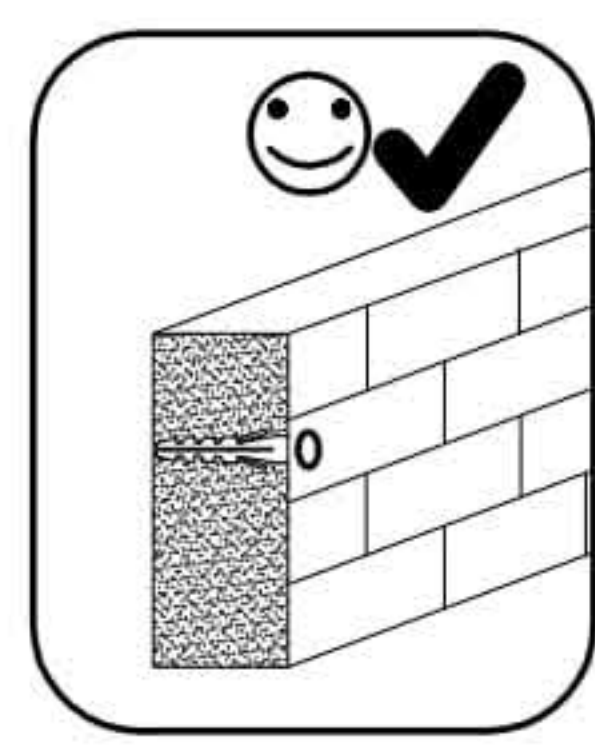
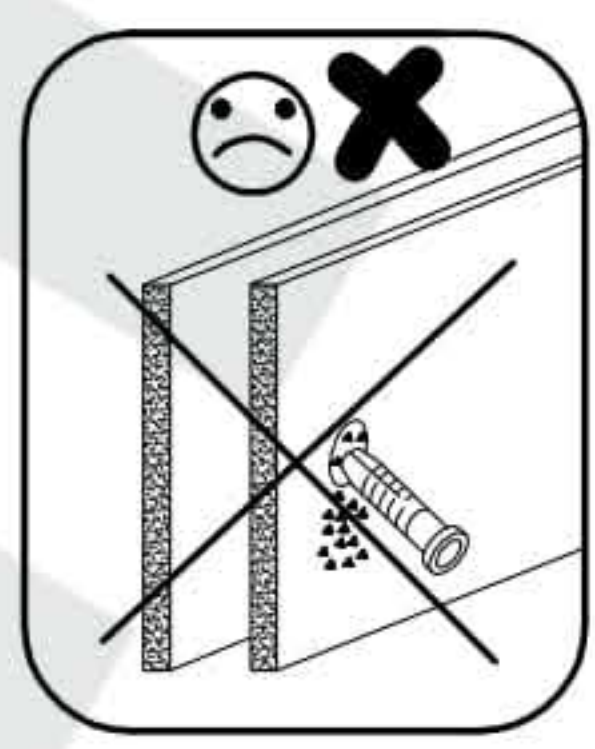
19


4.0x16mm

 P1
 3



20

10x50mm  O7 1	 L9 1	3.5x13mm  P5 1
---	---	---



M4x9mm

U1
4

