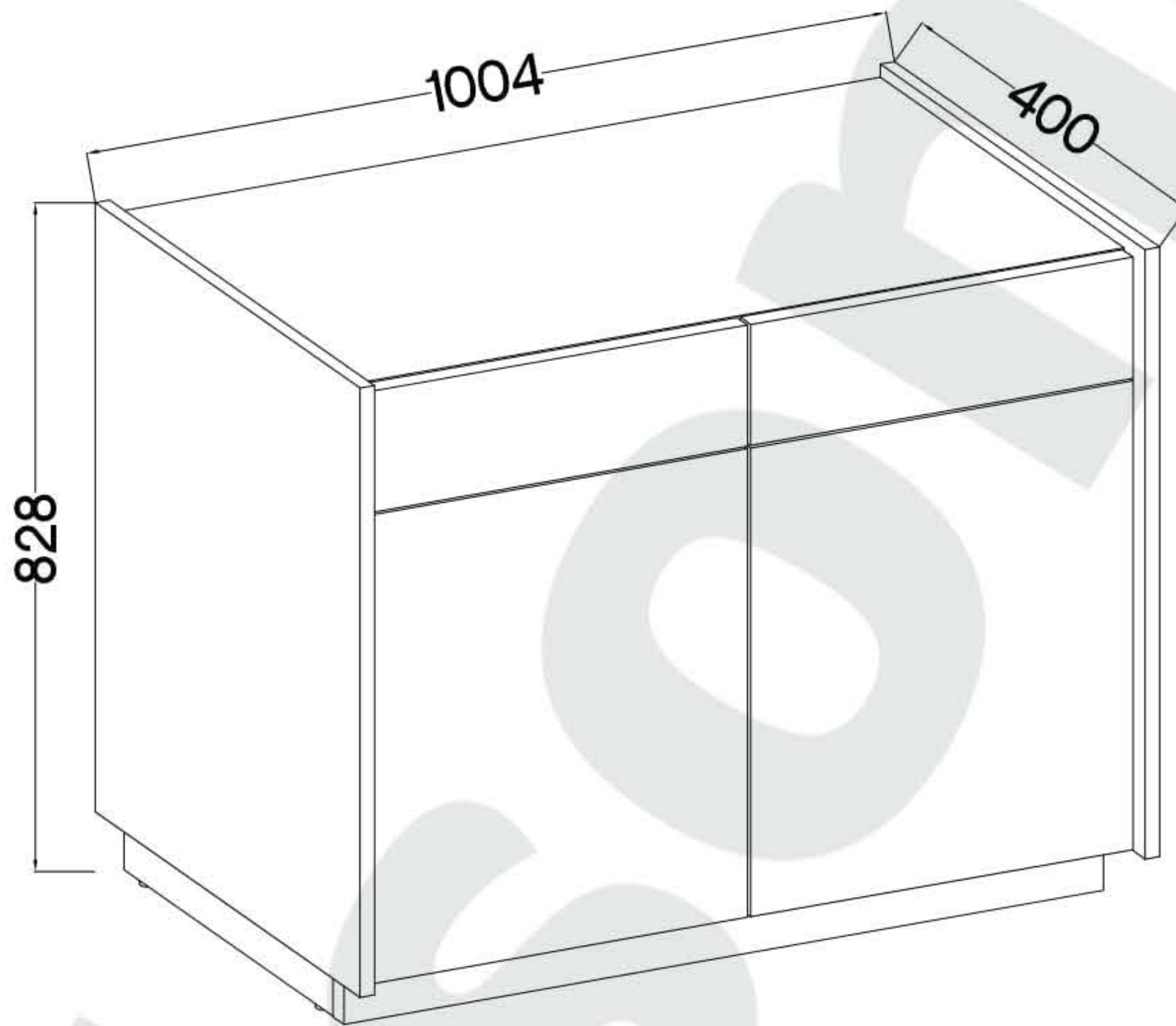
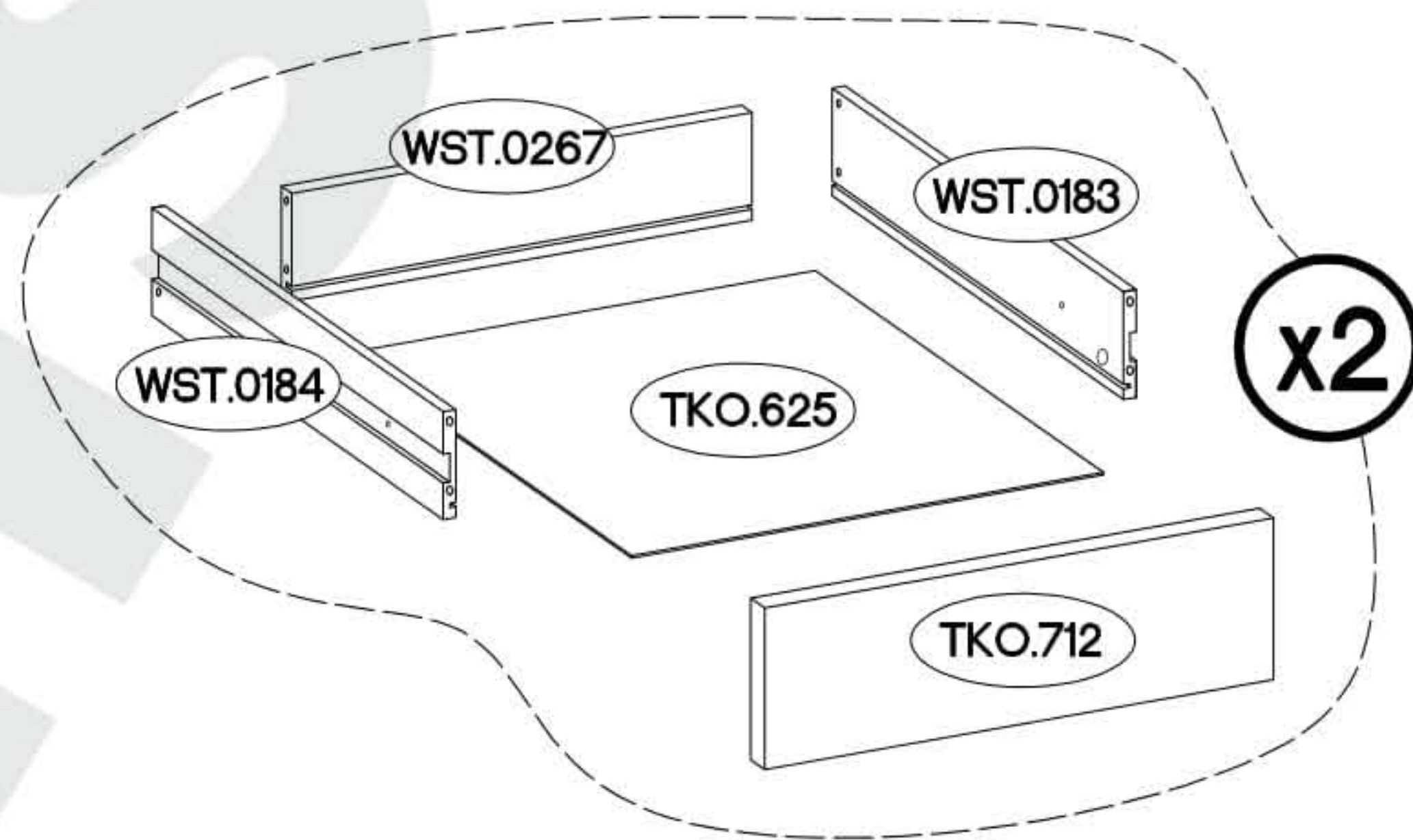
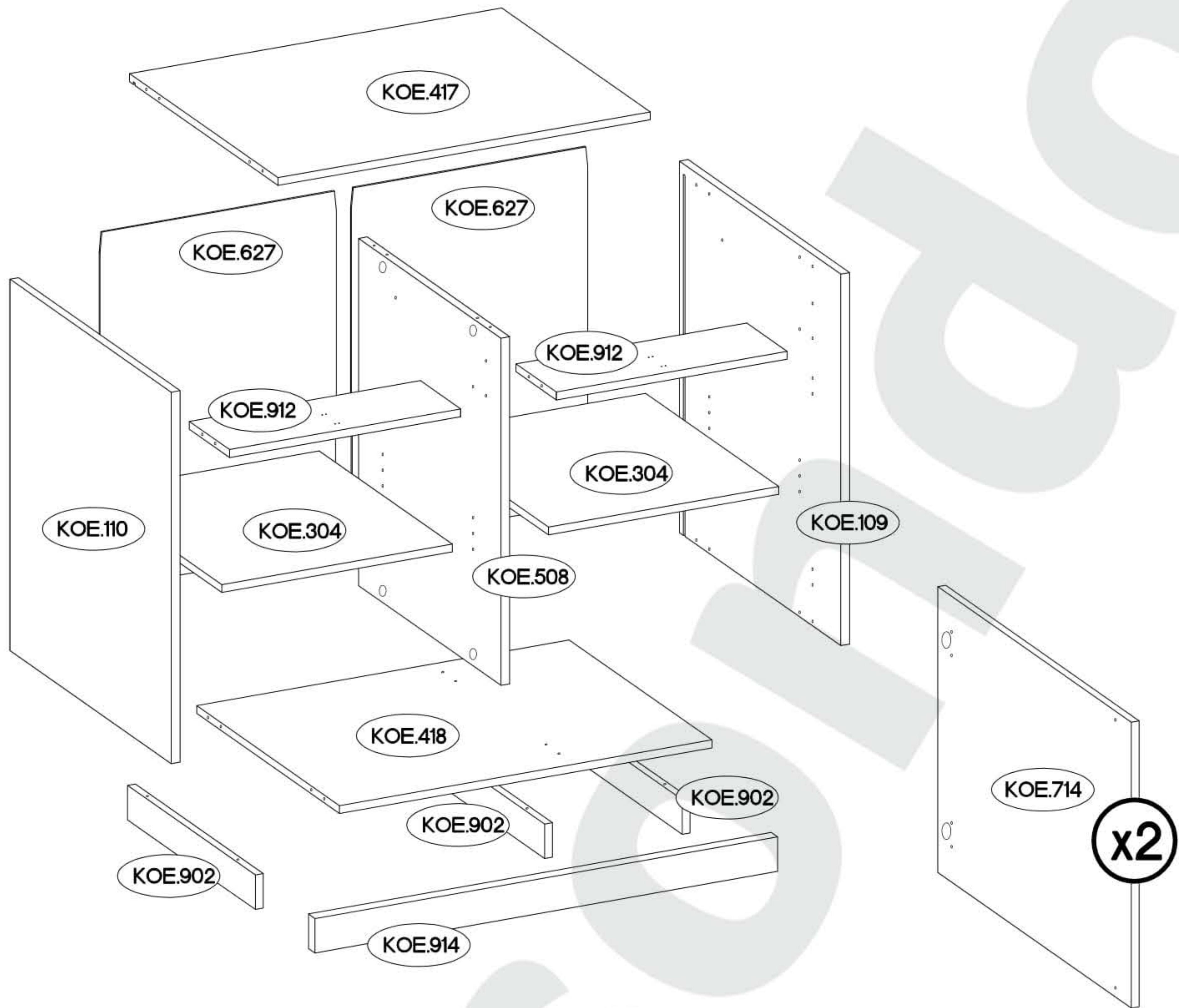


TYP 822

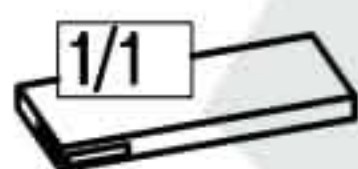


 †8x30mm A	 †8x60mm A2	 †6x42mm B2	 †15/12mm C	 †12/10mm C5							
28	1	4	16	4							
L=20mm	L=56mm	†20	†15x5mm	†35/16mm	27/310mm	†5/16mm	†20/8mm				
 D2	 D4	 E11	 F4	 HG2	 I4	 J3	 J14	 L	 L2	 L9	
18	1	8	6	4	2	8	4	14	7	1	
 L33	 †6,3x13mm M2	 †6,3x20mm M3	 O1	 †10x50mm O7	 †4,0x16mm P1	 †3,5x13mm P5	 †3,0x20mm P7	 T3	 M4x9mm U1		
4	4	4	1	1	10	17	17	5	4		

ISM-KOE-010



	Ersatzteil Nummer	Dimension
	KOE.109	754x400x18
	KOE.110	754x400x18
	KOE.508	705x353x16
	KOE.417	968x368x16
	KOE.418	968x354x16
	KOE.912 x2	476x100x16
	KOE.914	954x70x16
	KOE.902 x3	317x70x16
	KOE.304 x2	475x330x16
	KOE.627 x2	724x487x2,5
	KOE.625 x2	445x327x2,5
	WST.0183 x2	330x100x12
	WST.0184 x2	330x100x12
	WST.0267 x2	434x100x12
	KOE.712 x2	480x150x16
	KOE.714 x2	480x580x16



KOE.417



KOE.418


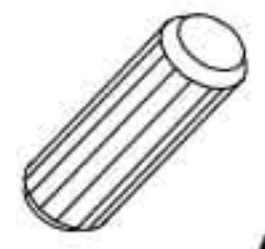


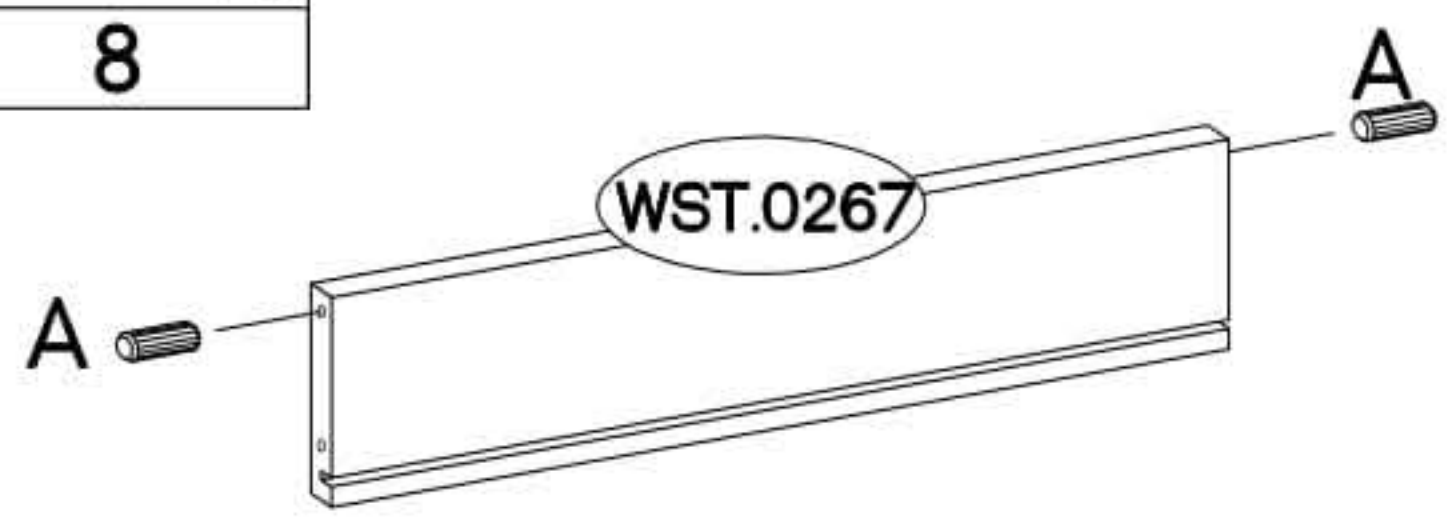
KOE.304



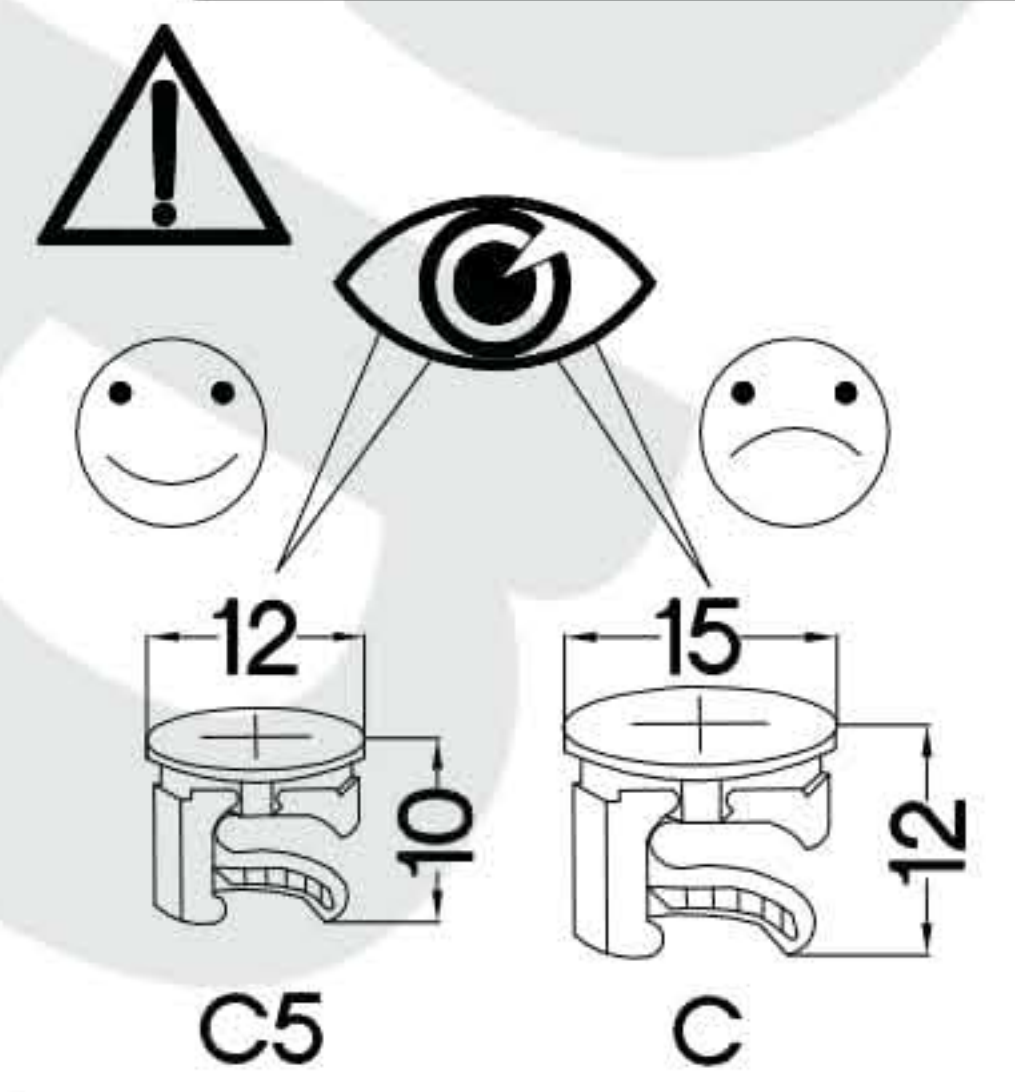
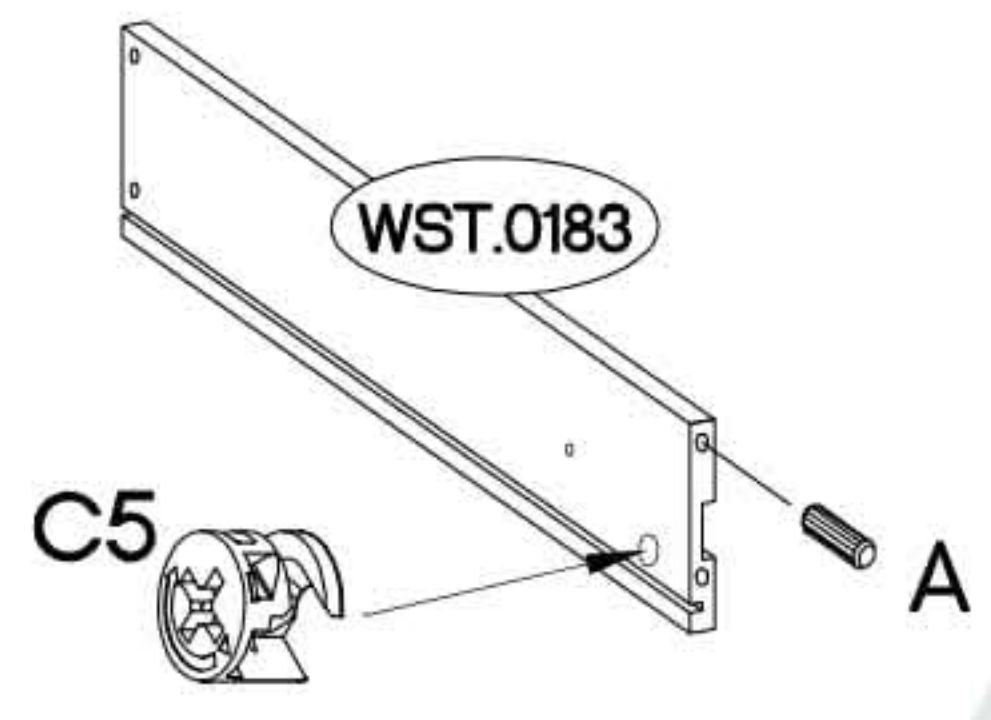
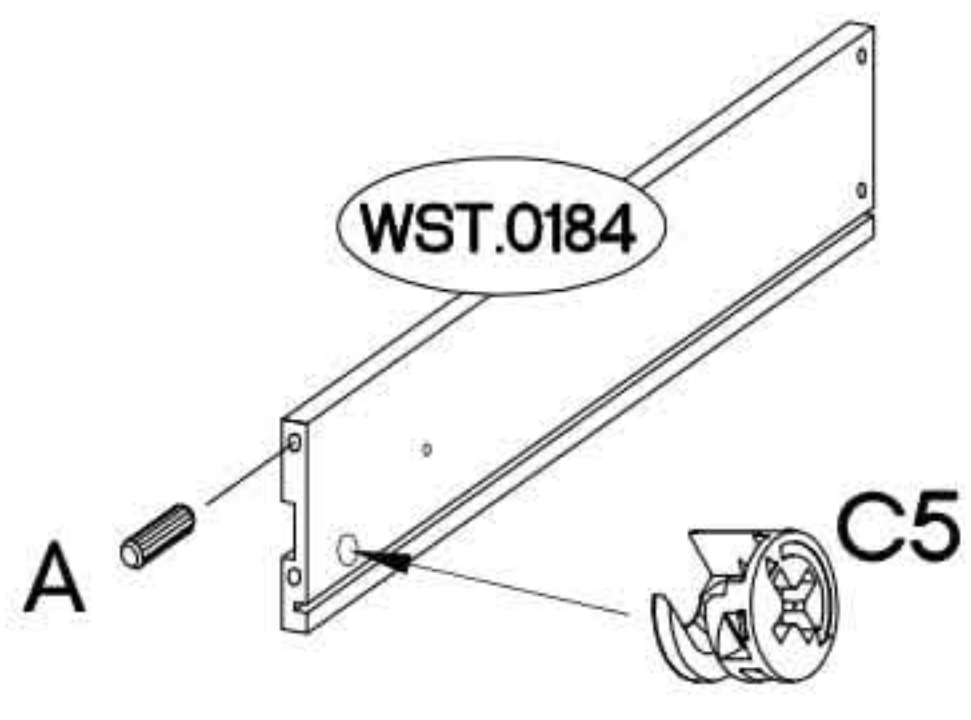
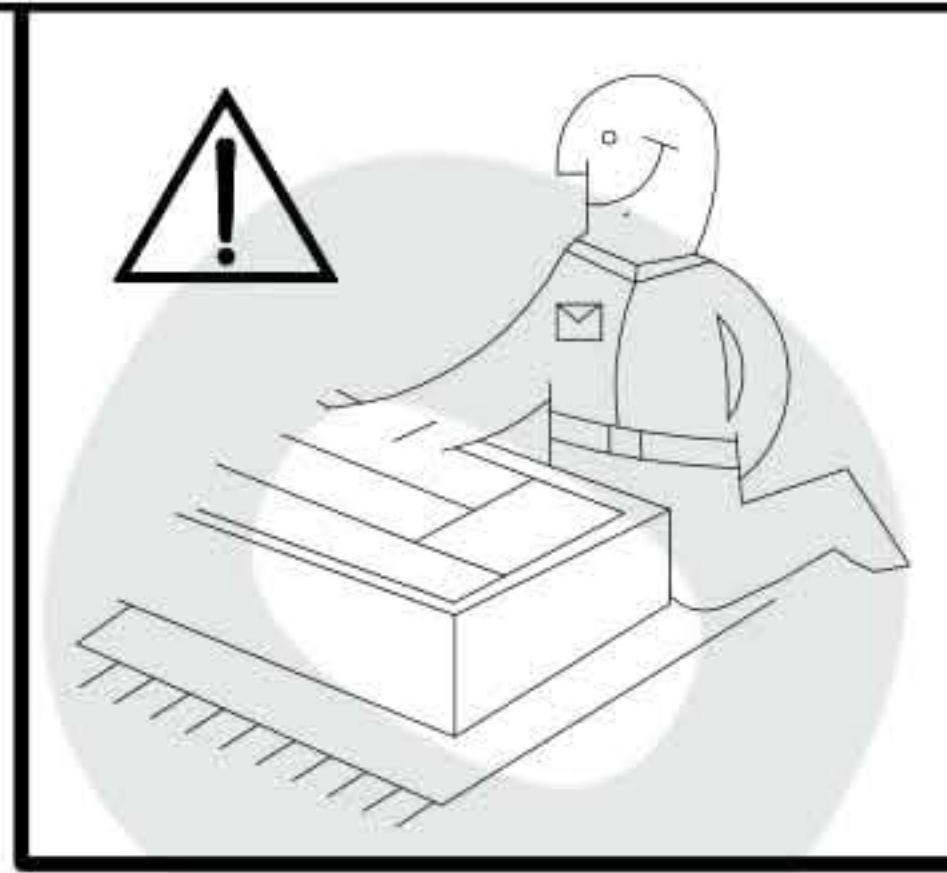
KOE.625

1

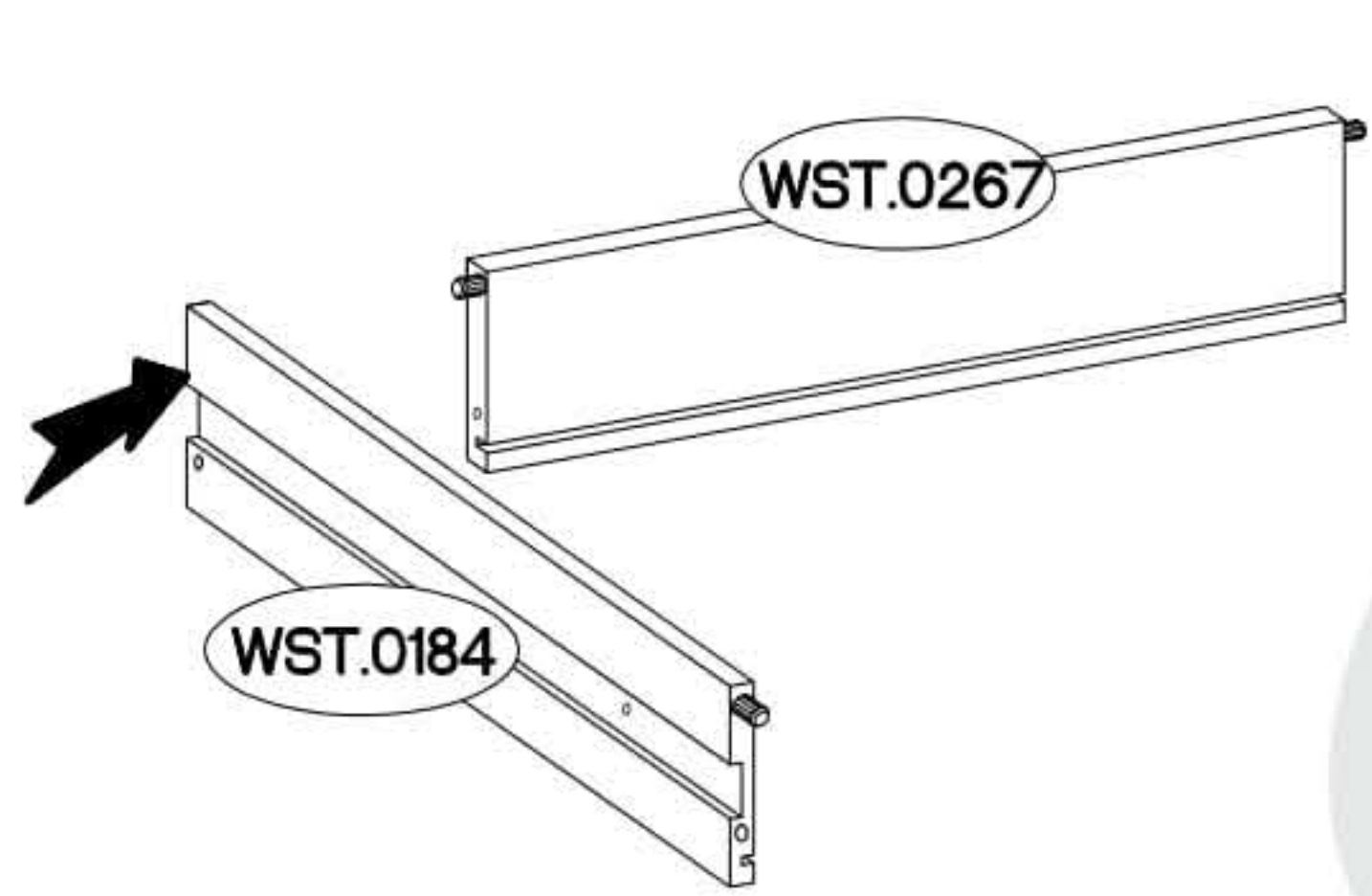
†12/10mm  C5 4	†8x30mm  A 8
----------------------------------------------------------------------------------------------------------------	--------------------------------------------------------------------------------------------------------------




x2

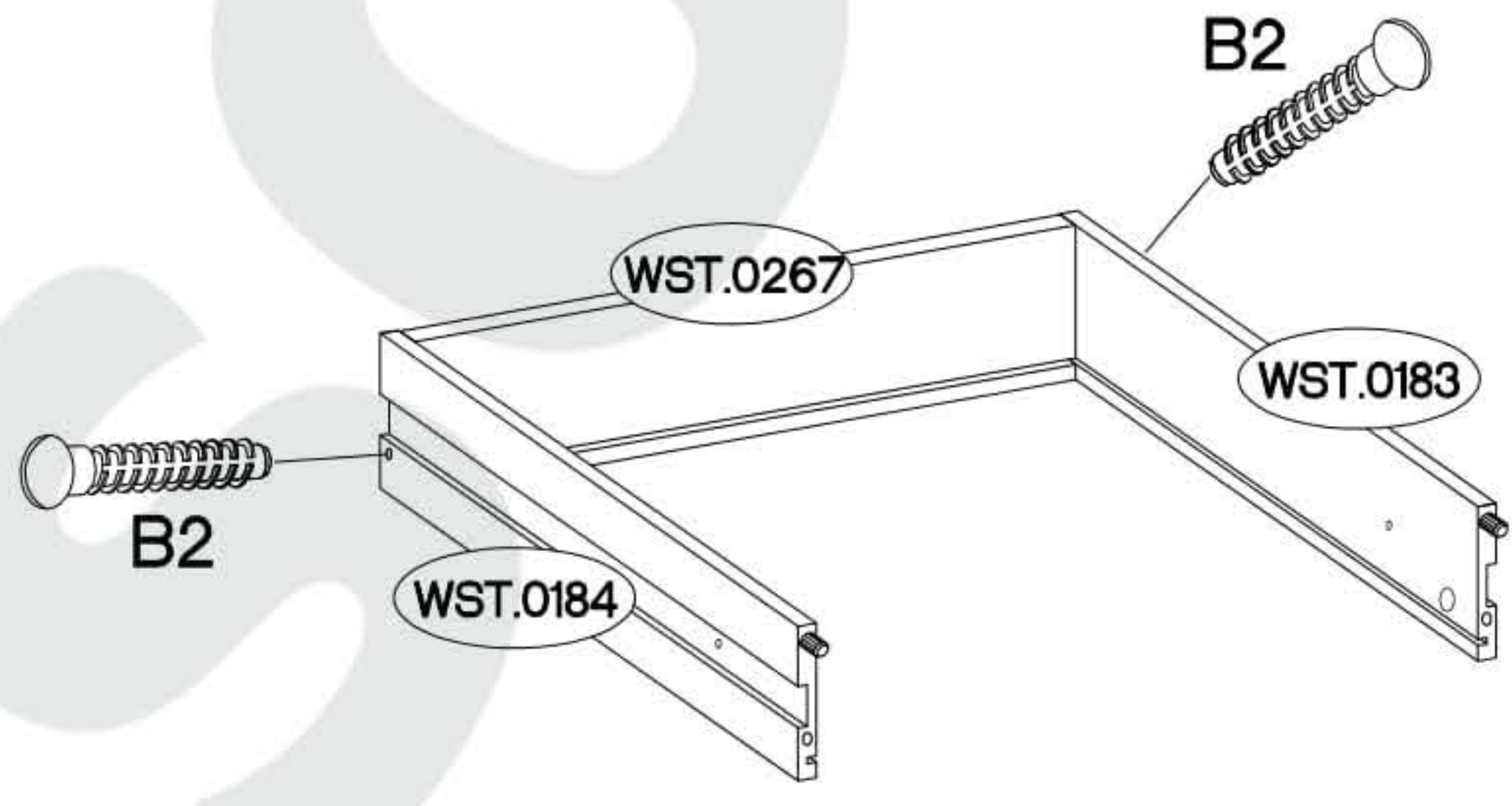
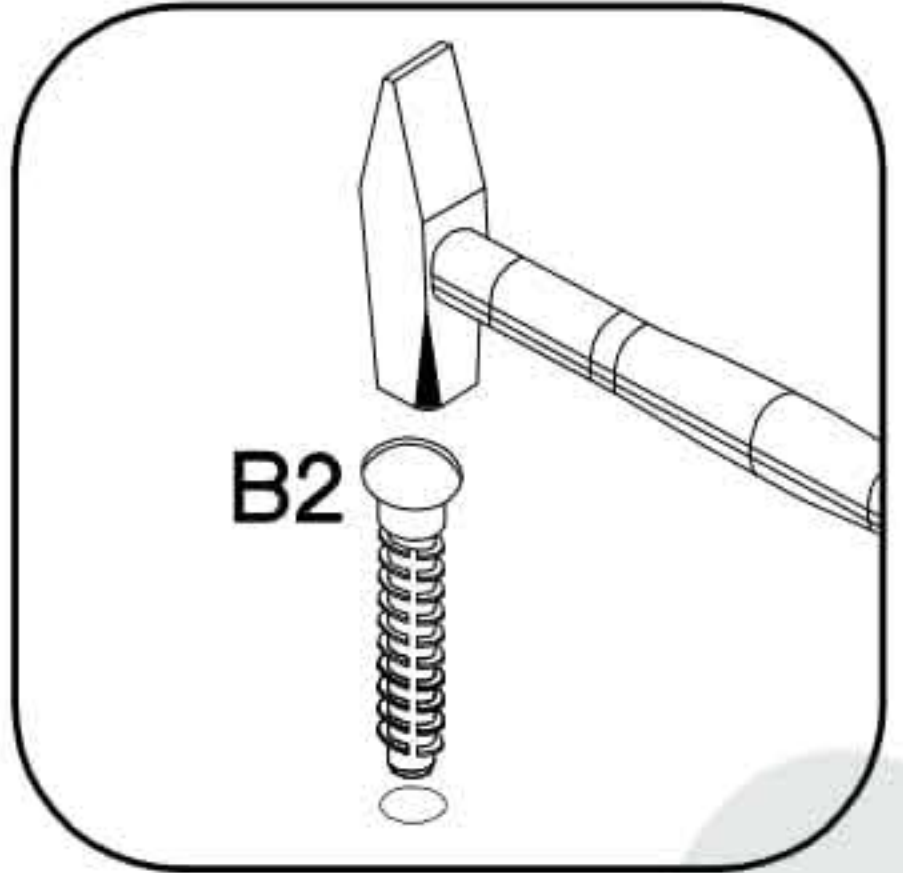


2





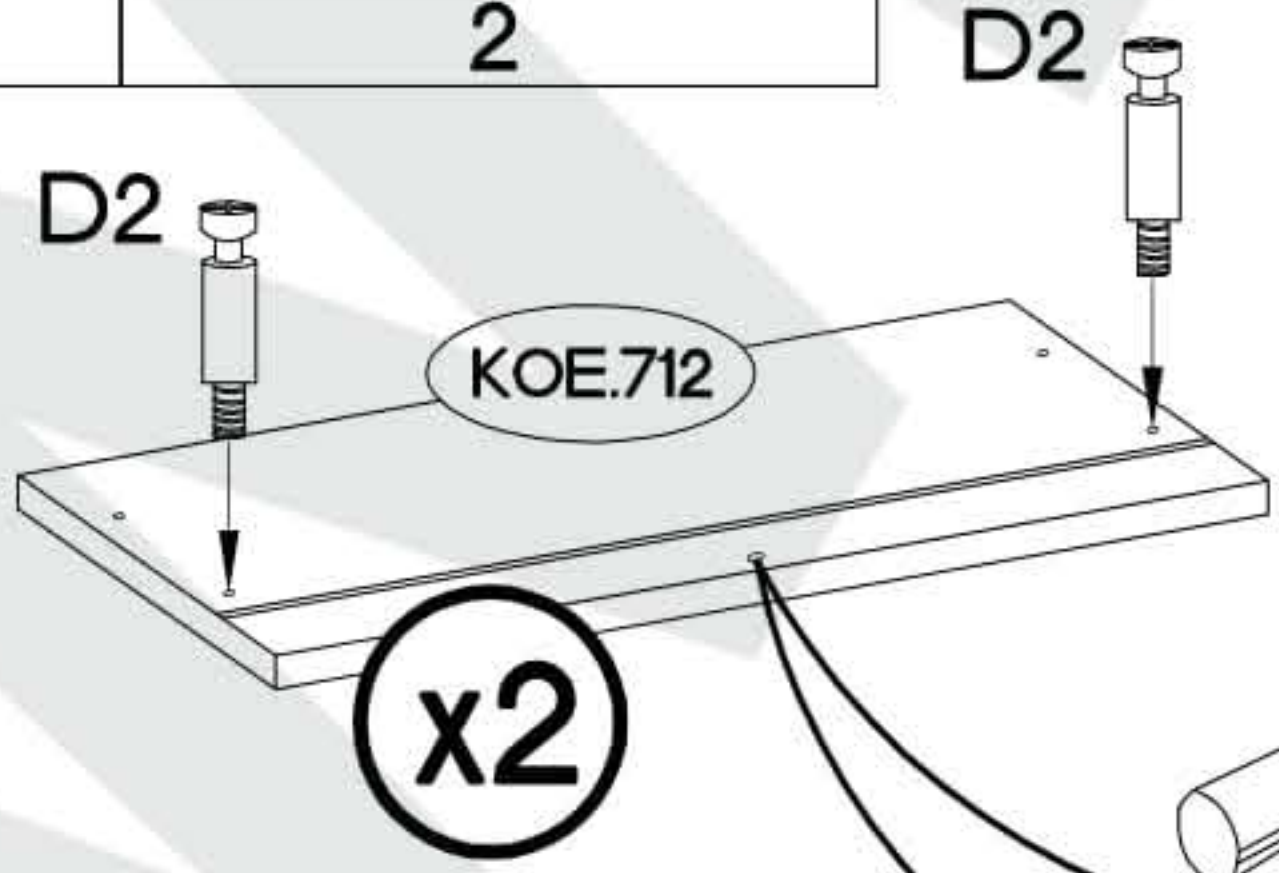
x2

†6x42mm  B2 4

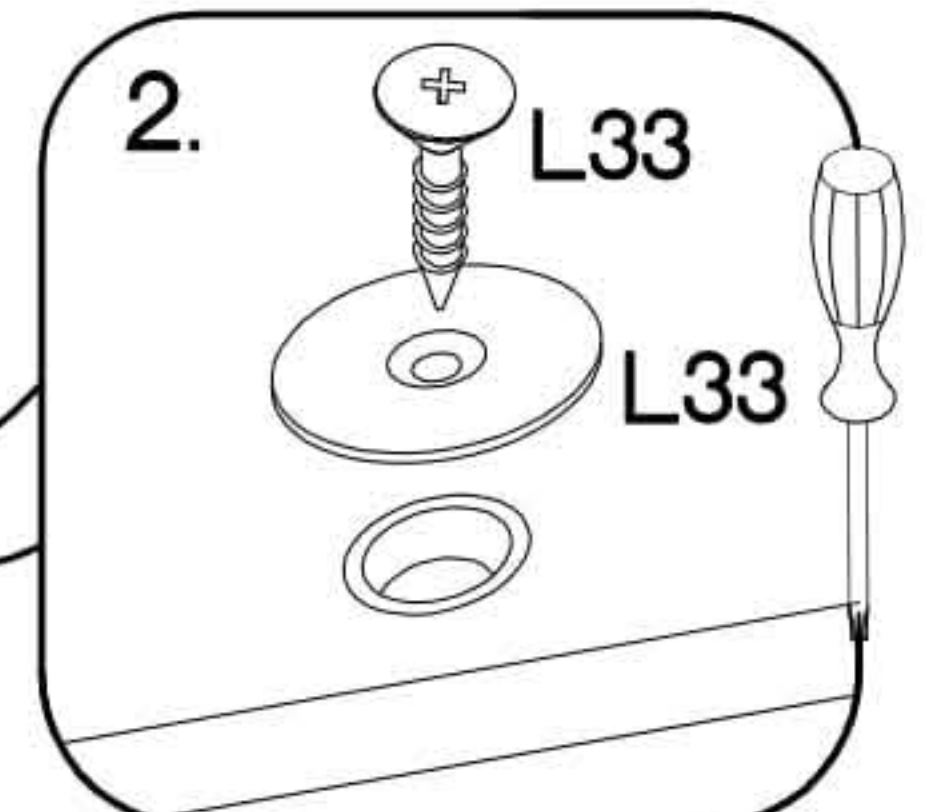
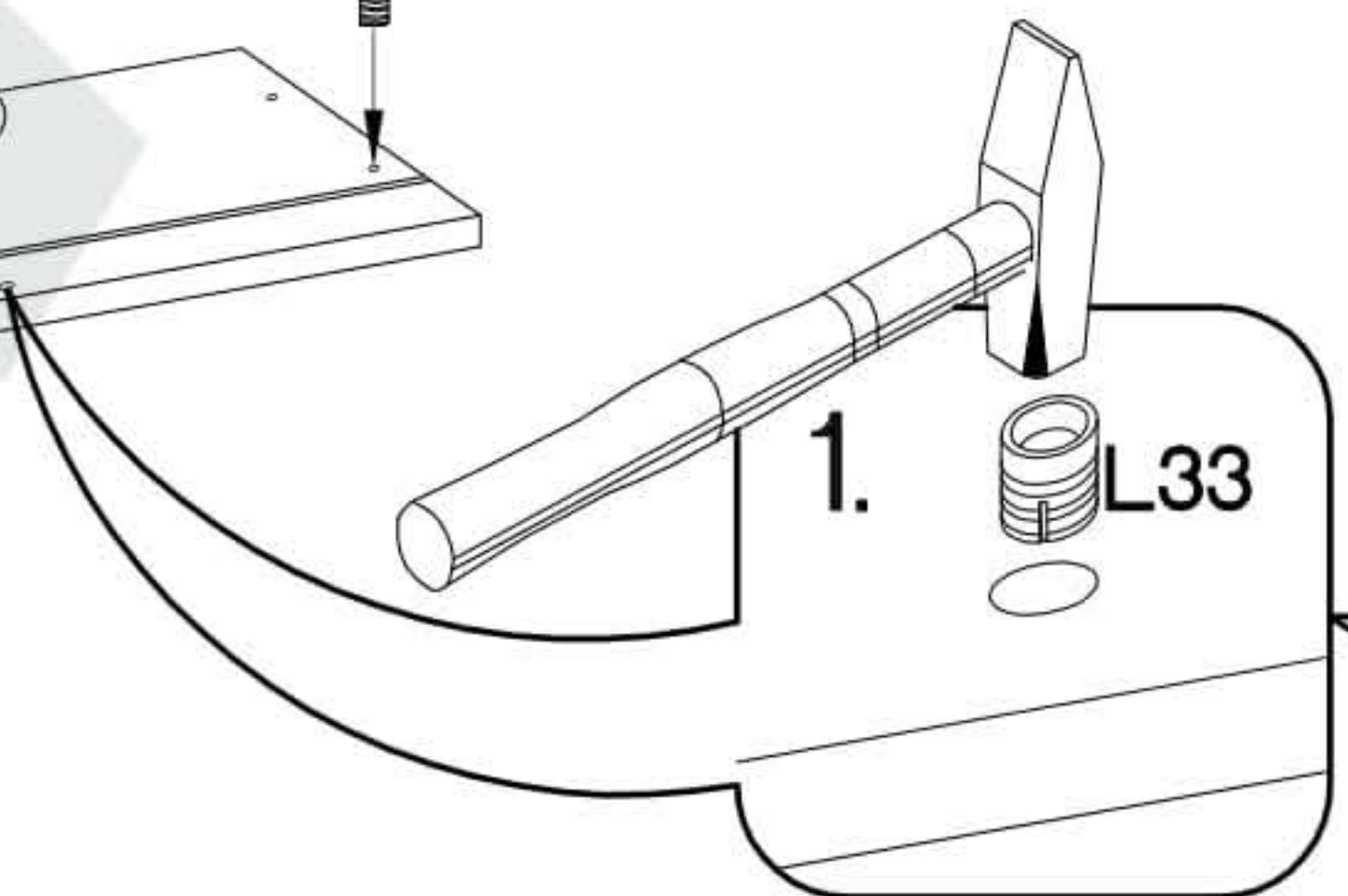
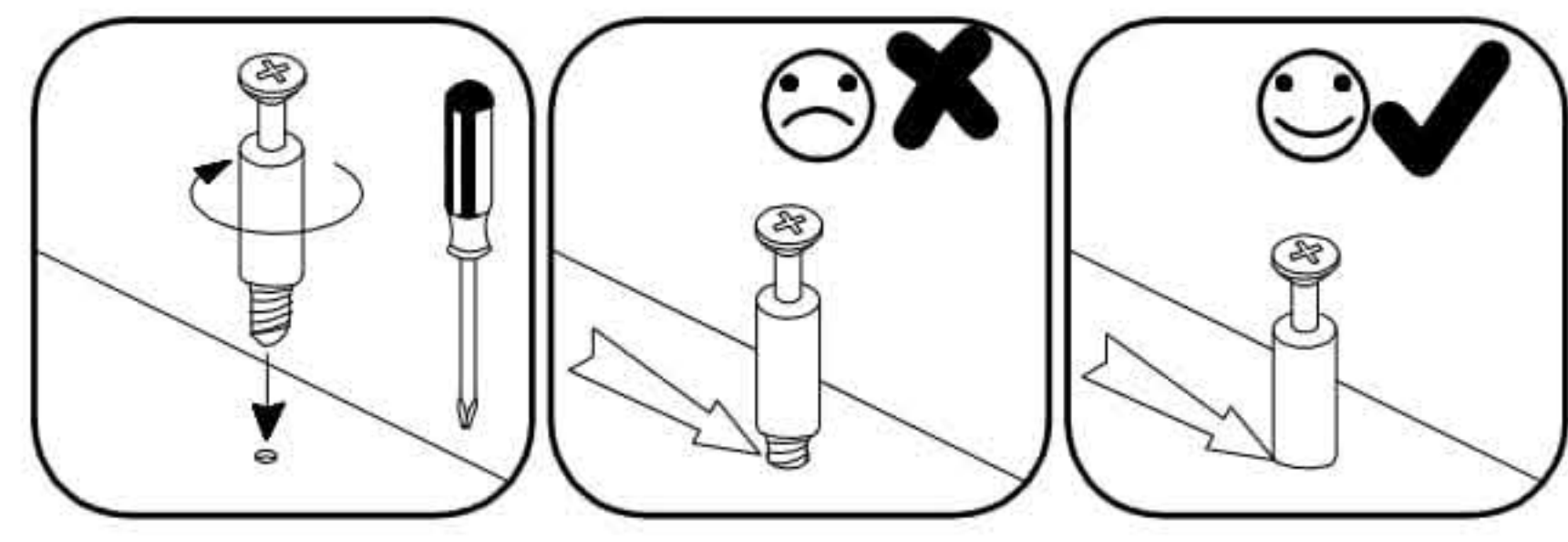


3

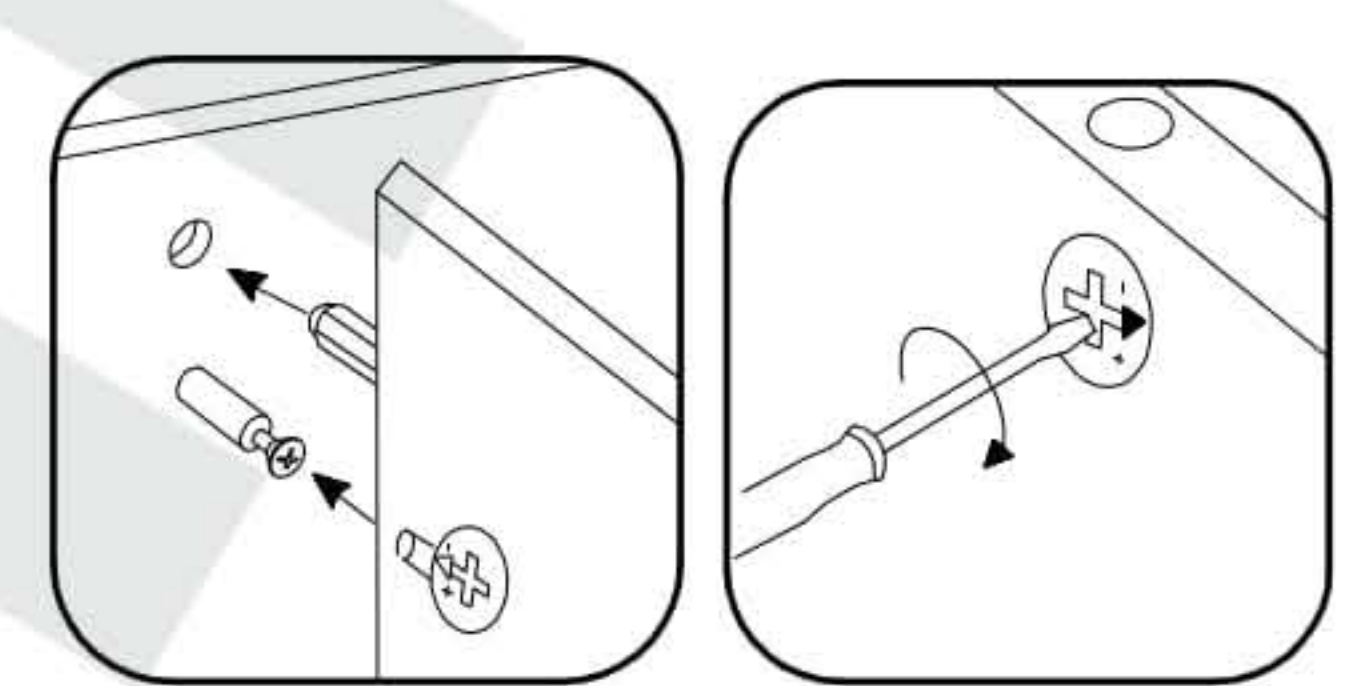
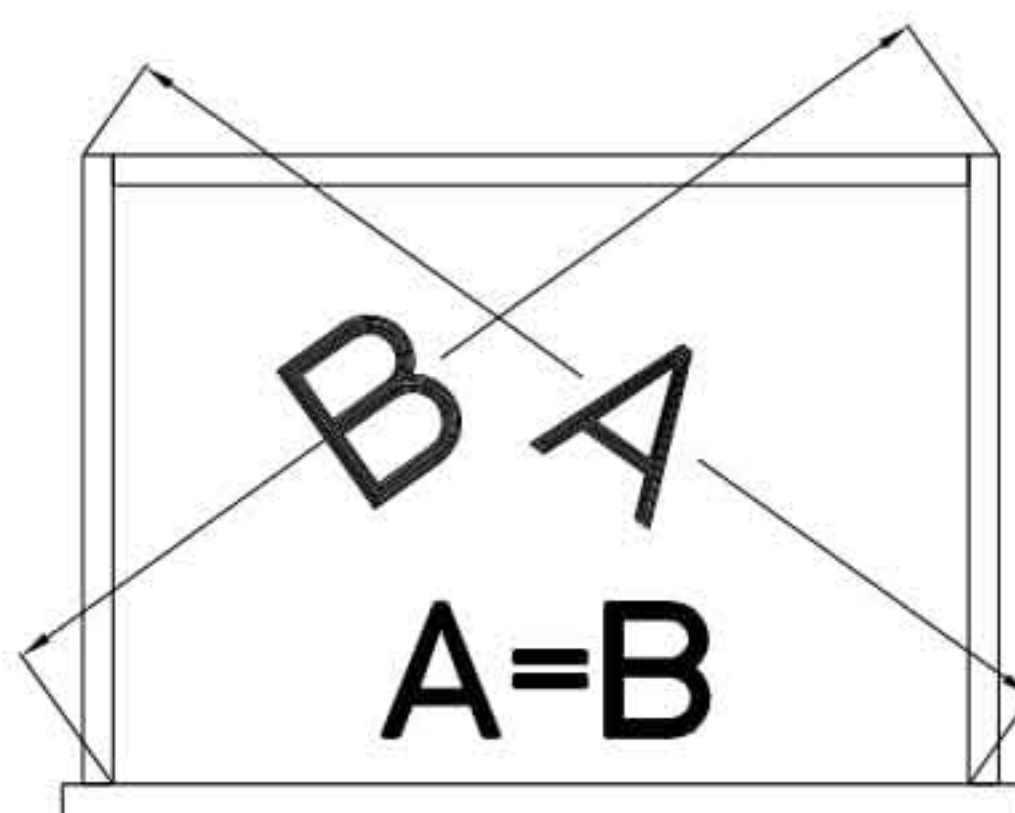
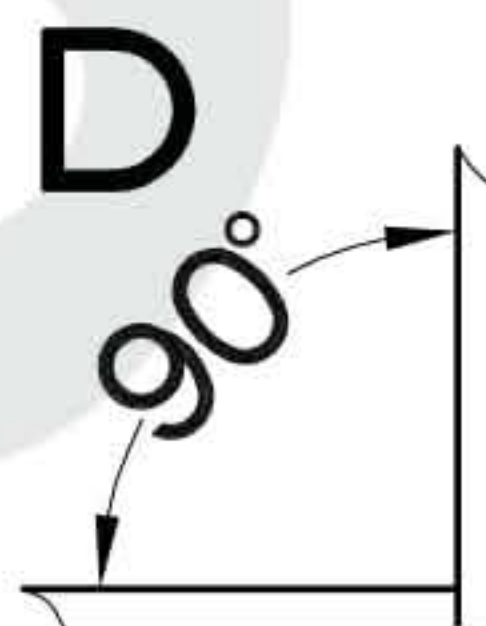
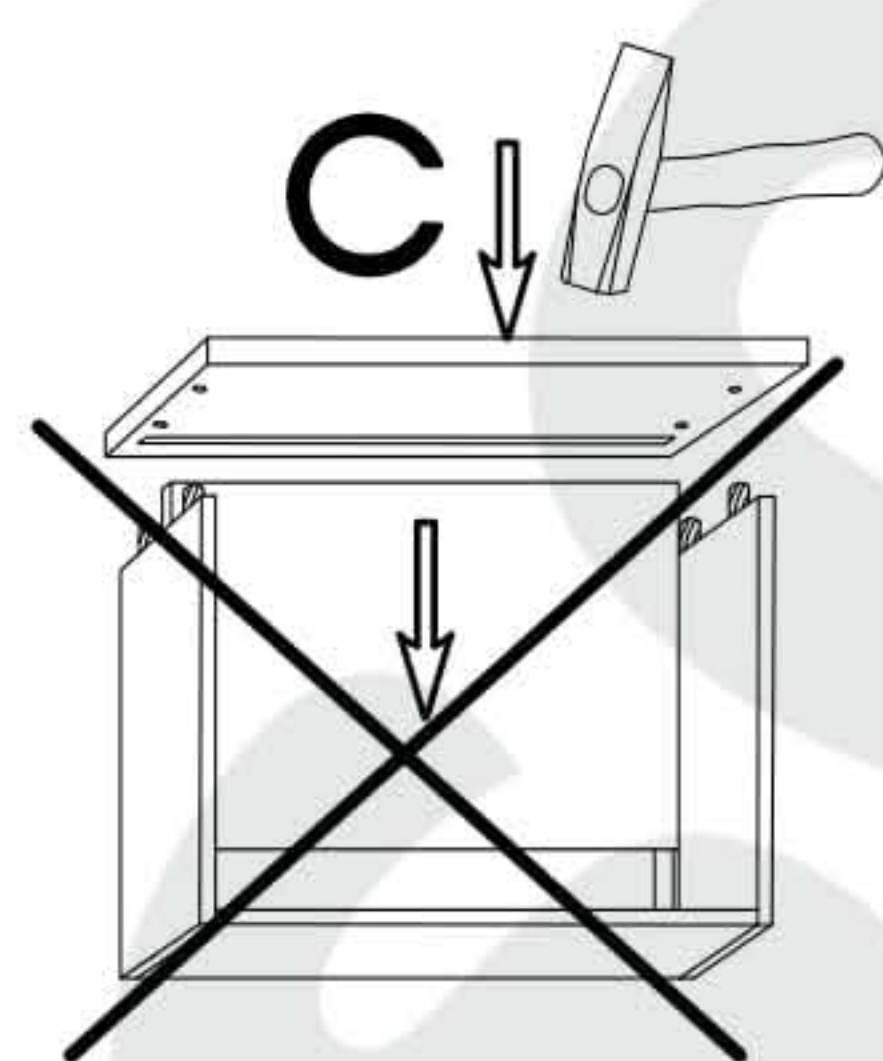
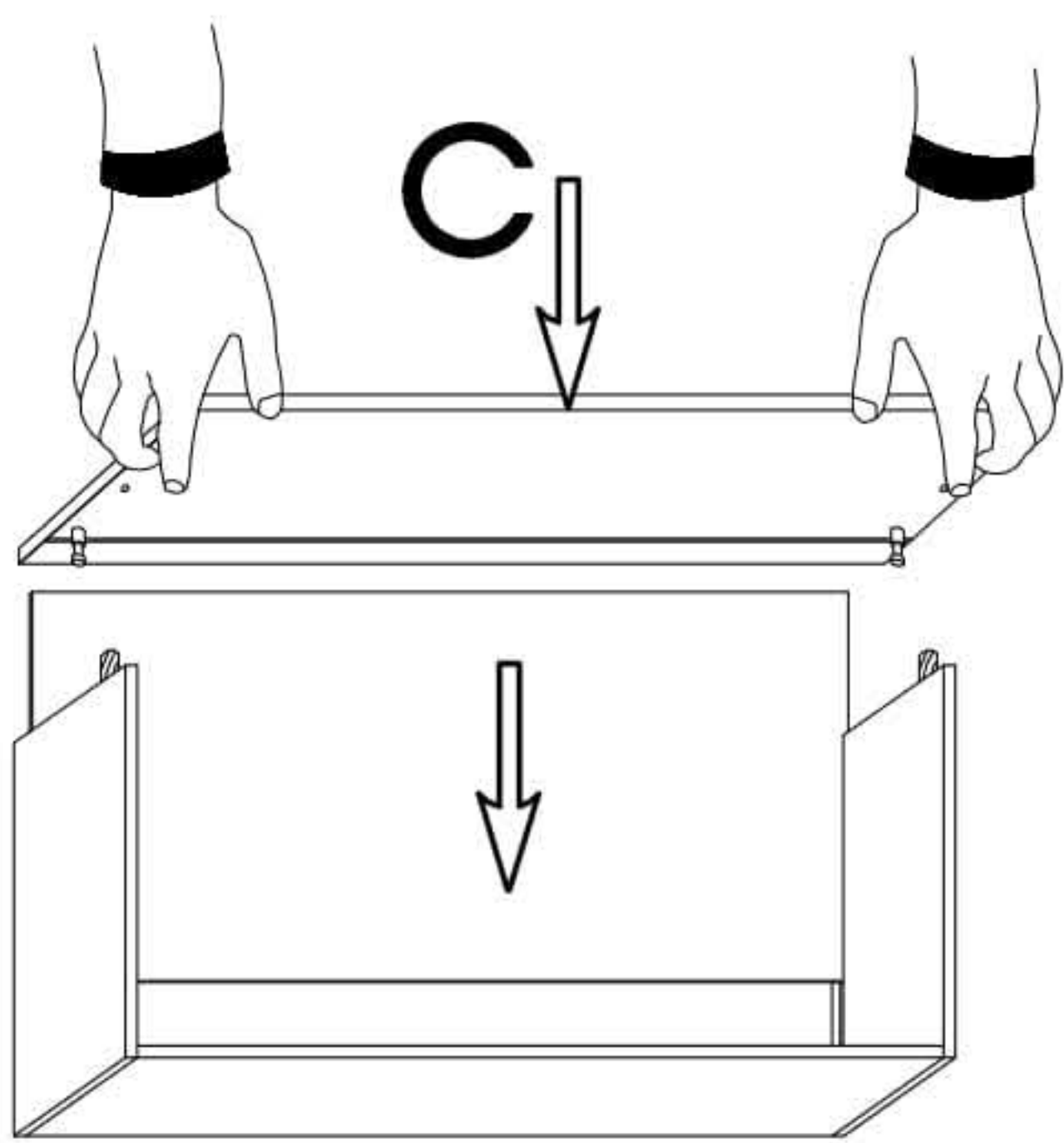
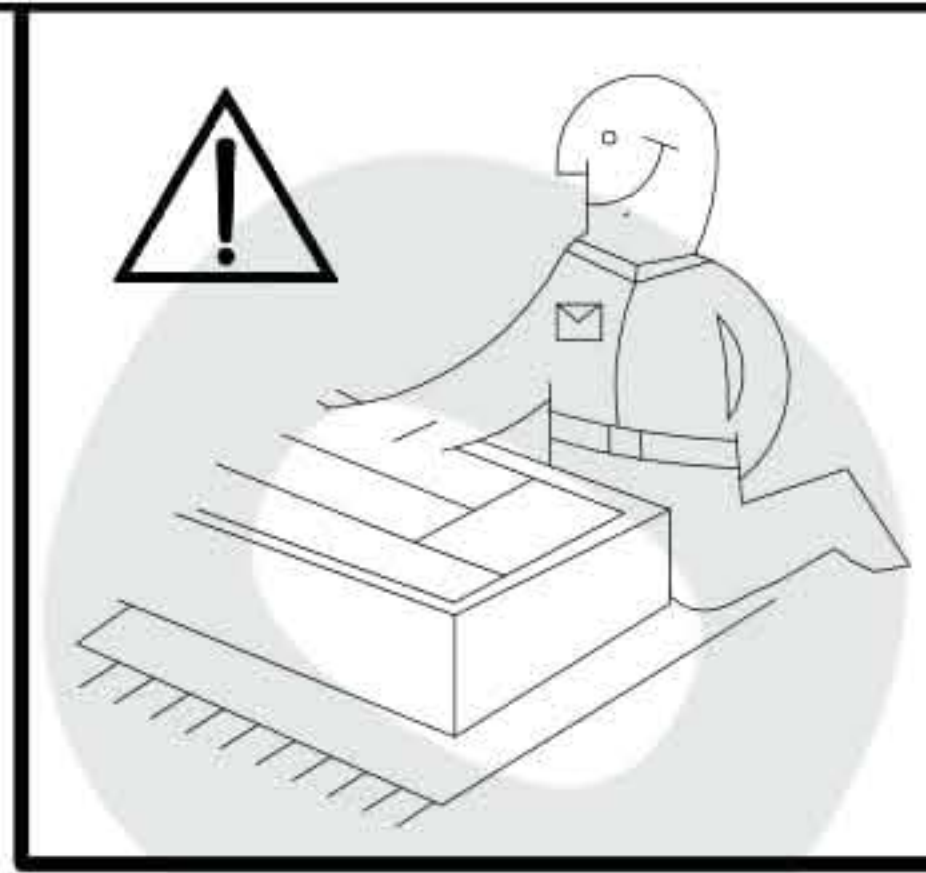
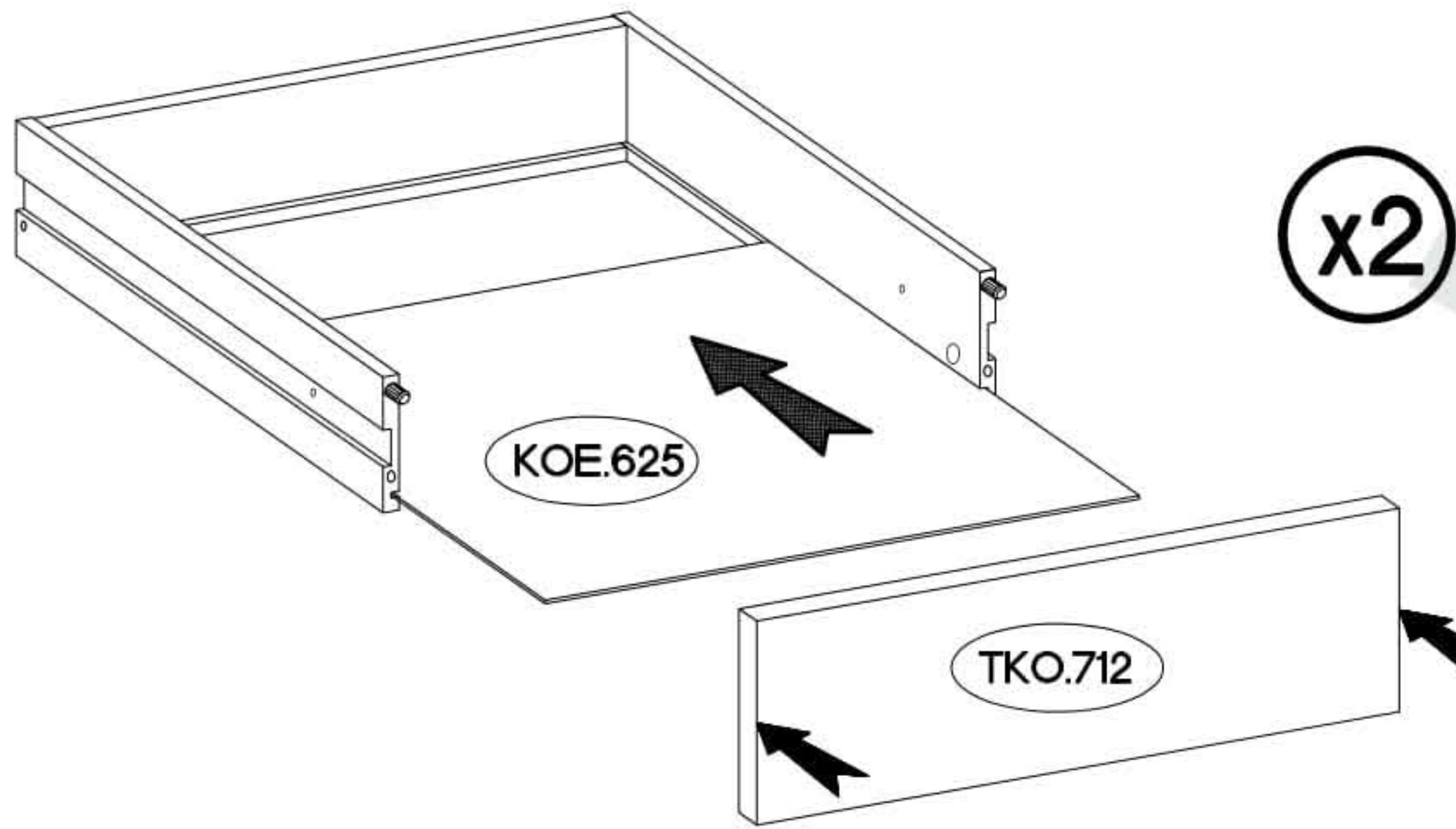
L=20mm  D2 4	 L33 2
-----------------------------------------------------------------------------------------------------------------	--------------------------------------------------------------------------------------------------------



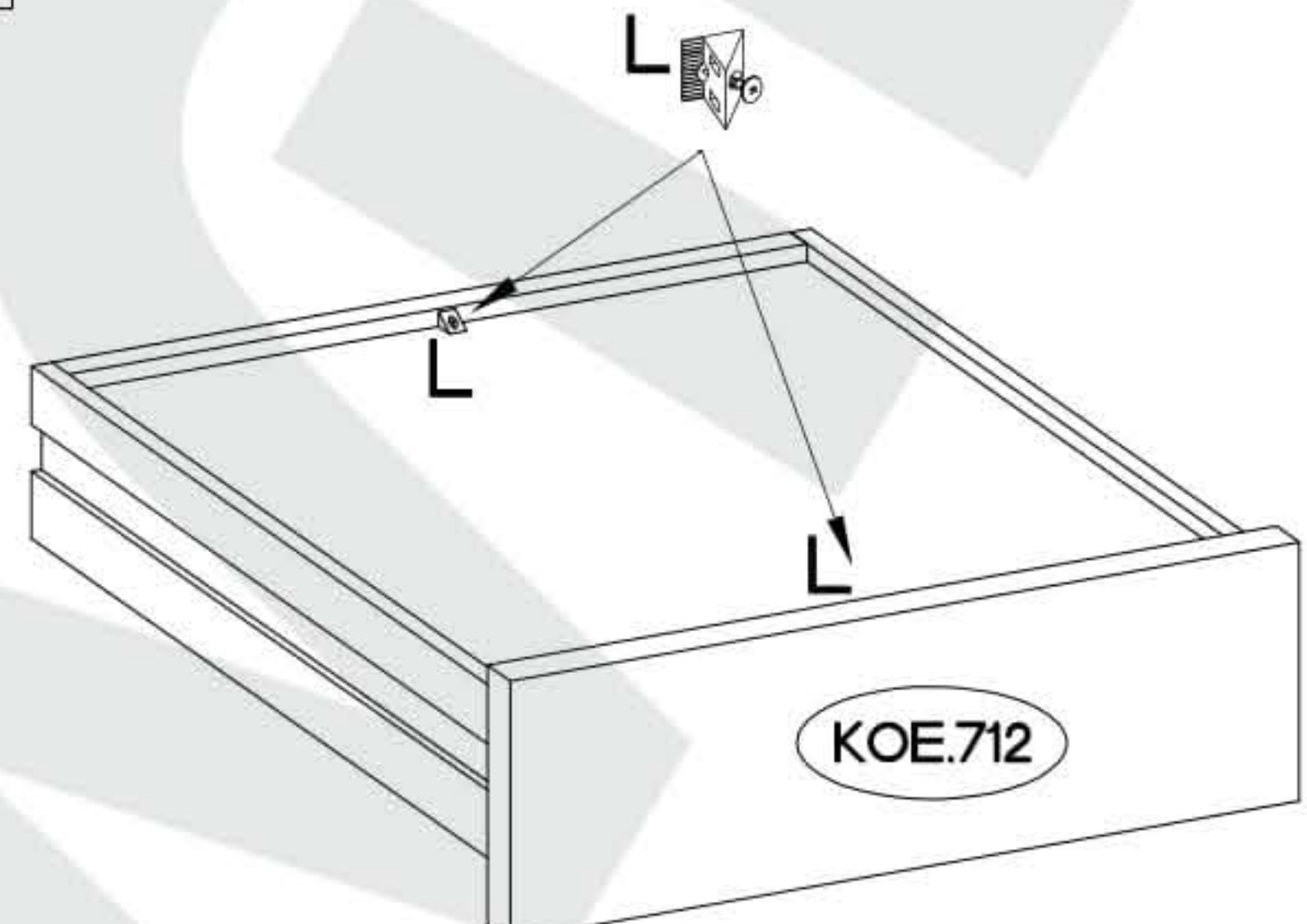
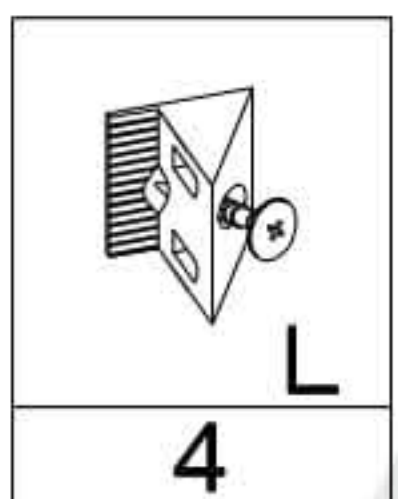
x2



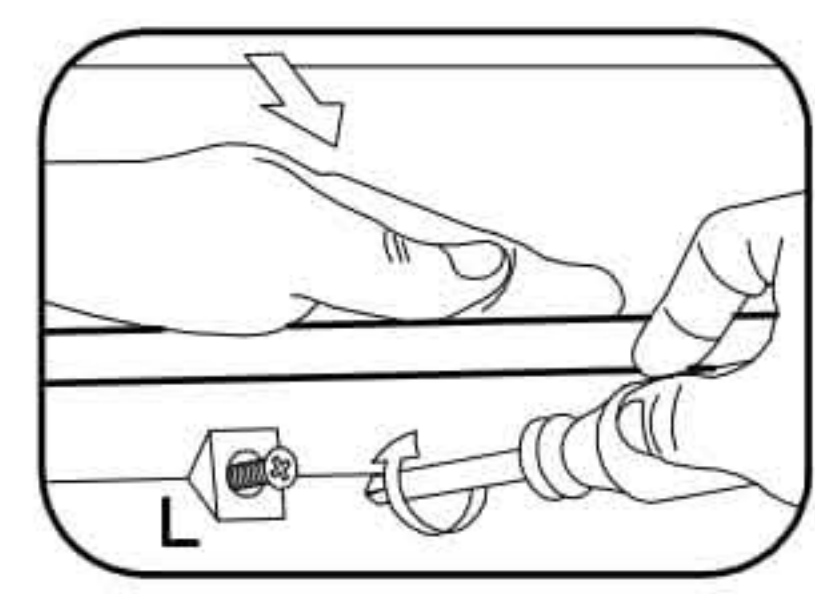
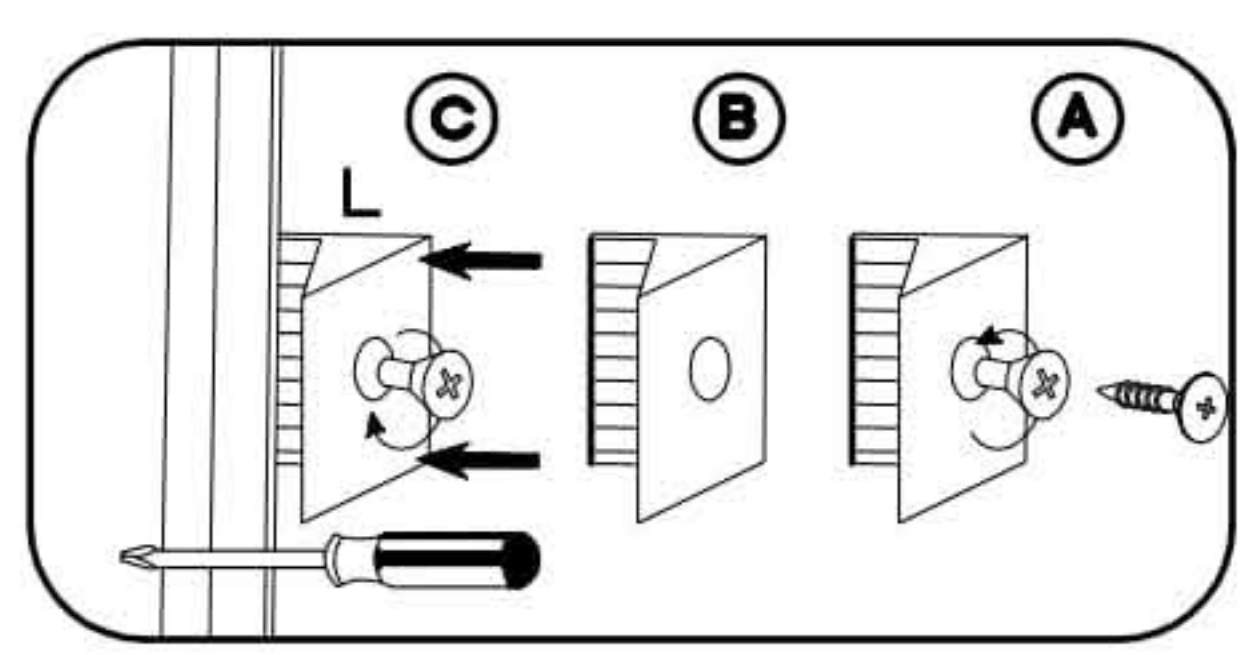
4




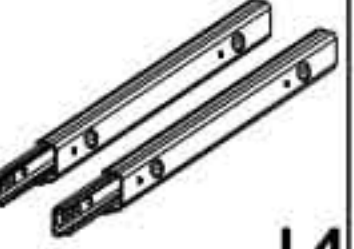

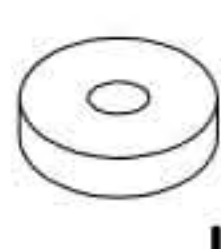


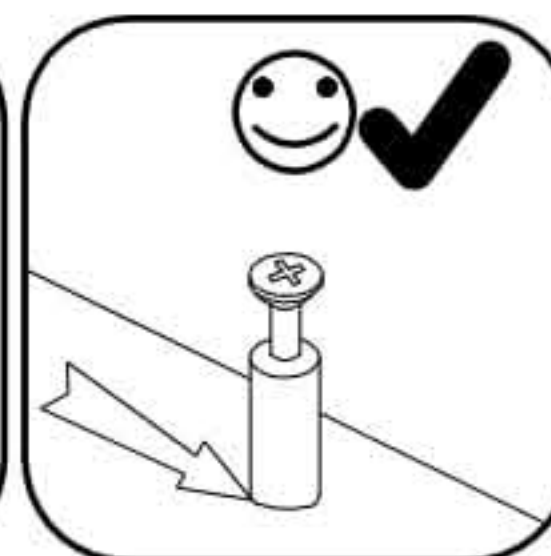
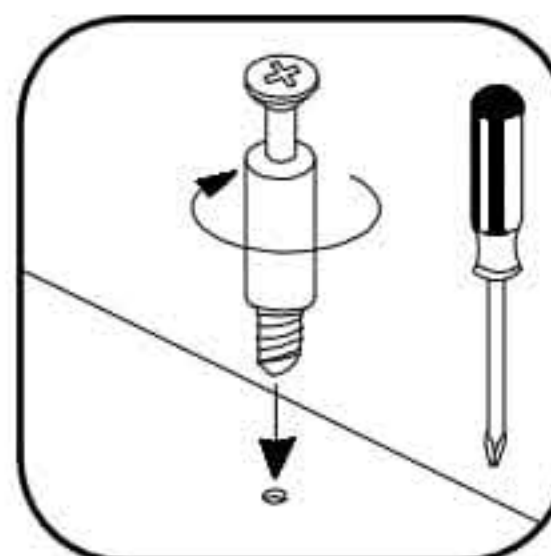
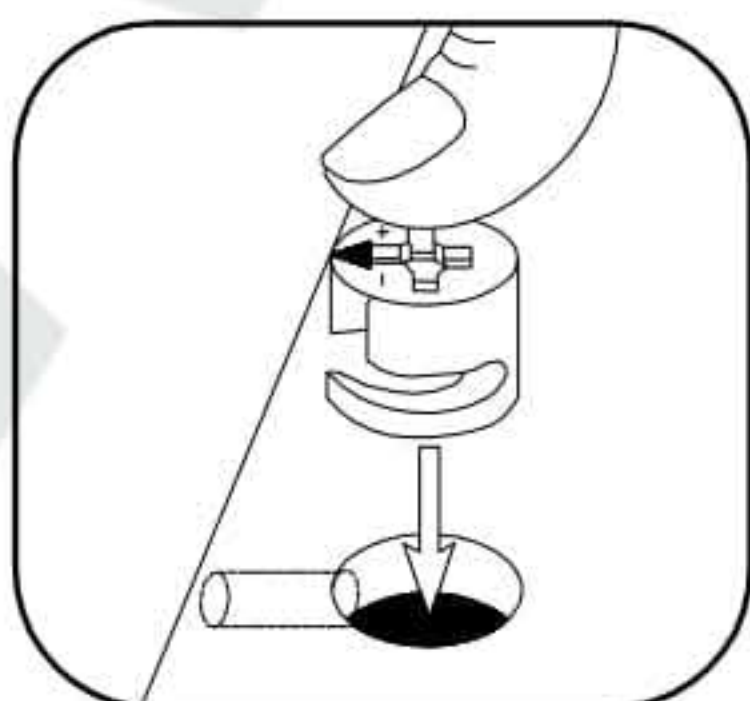
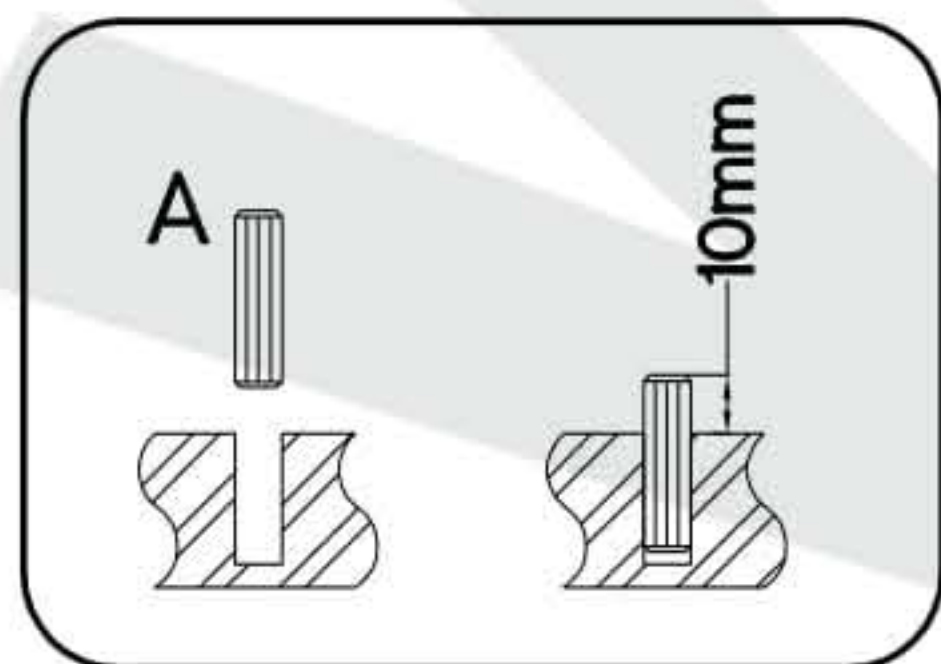
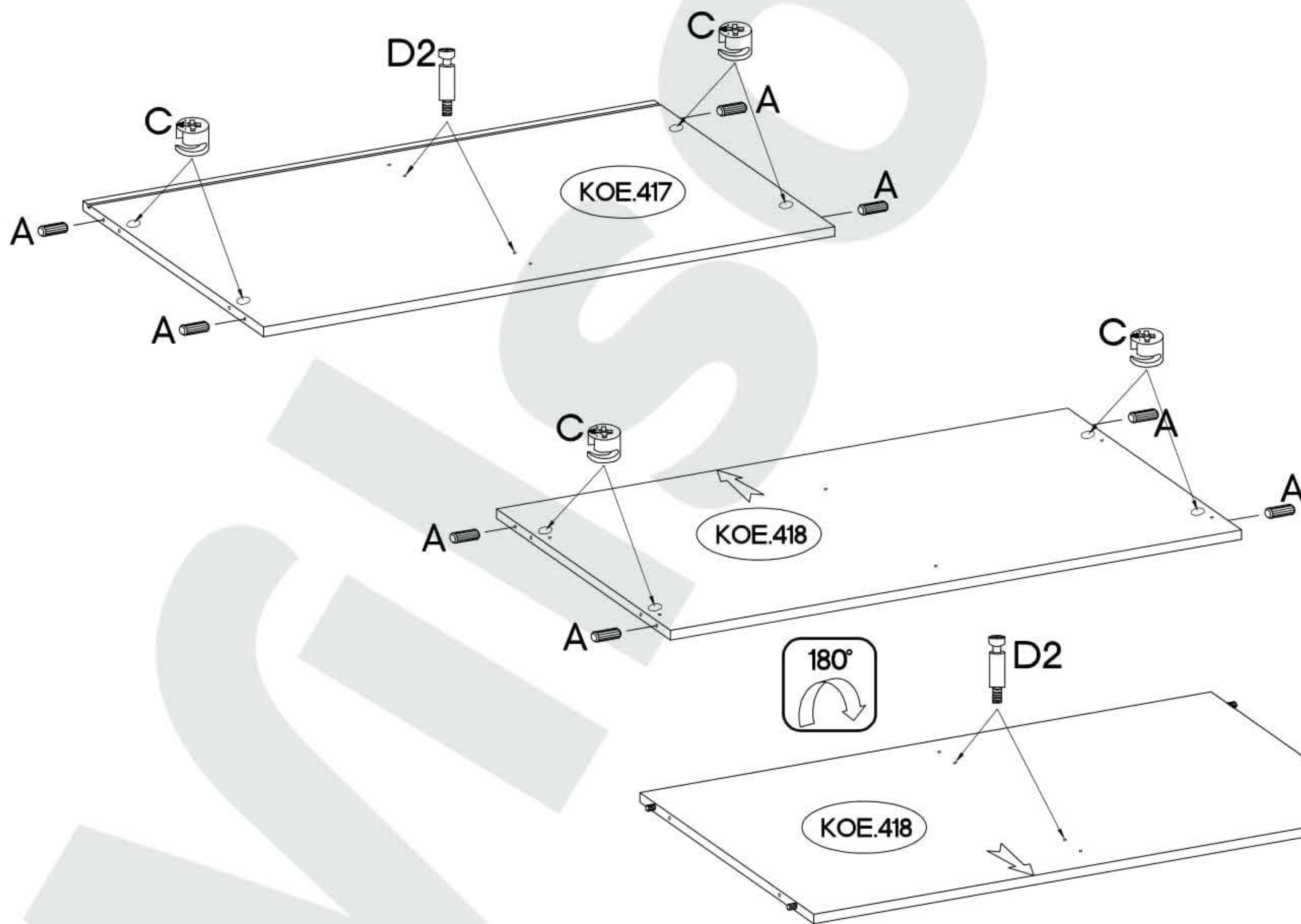
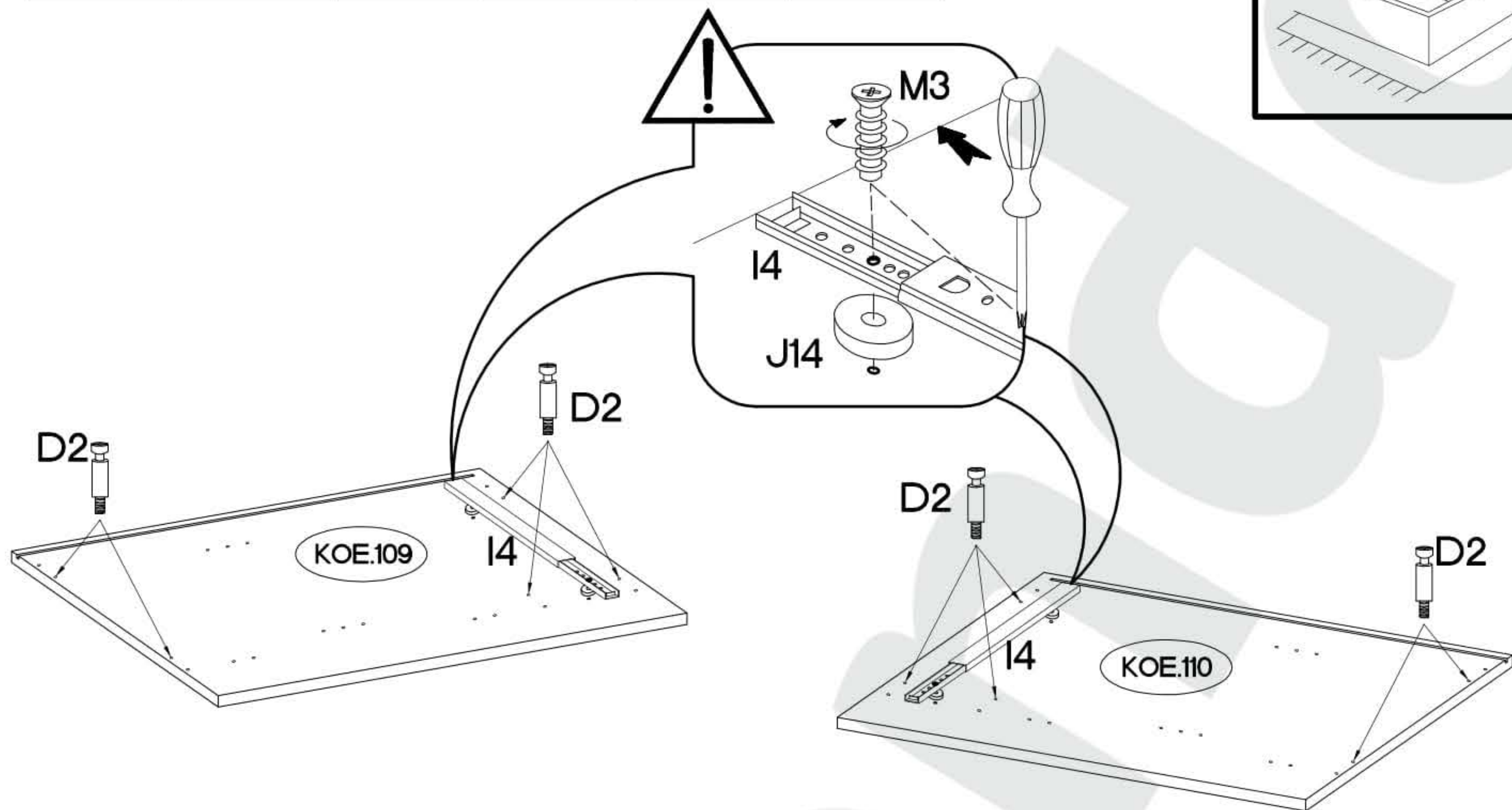
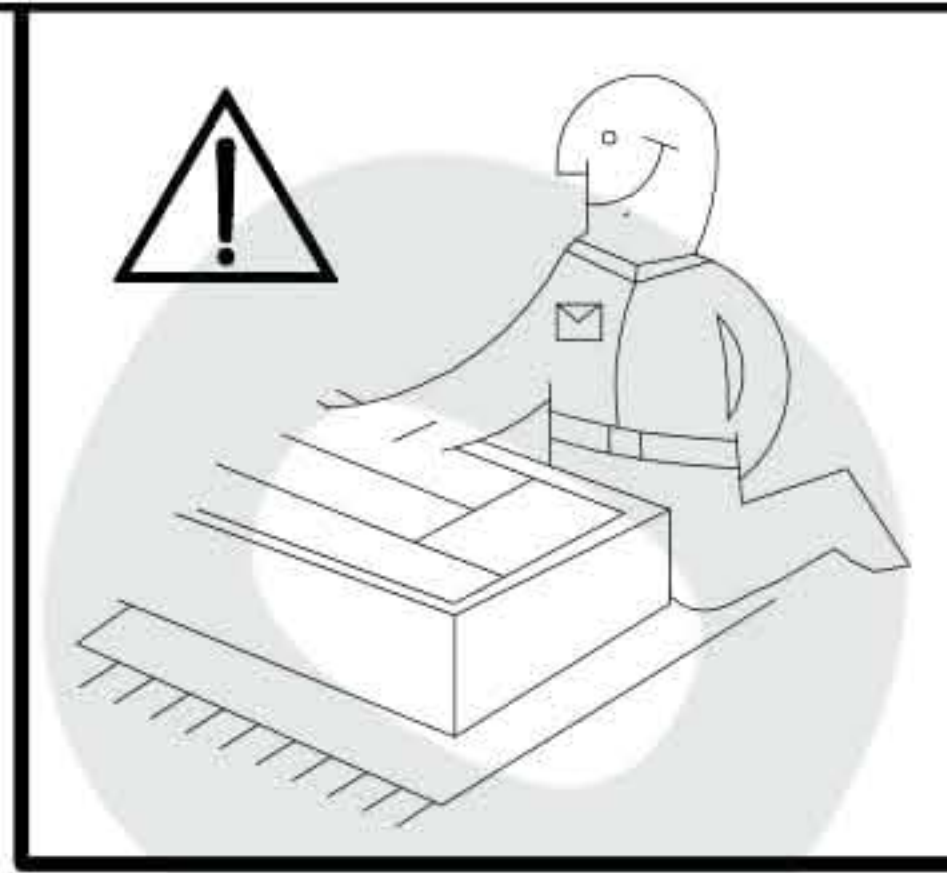
5

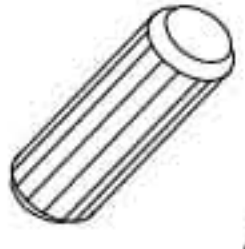
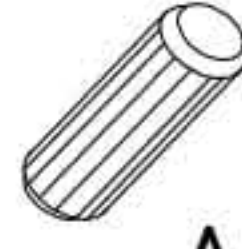



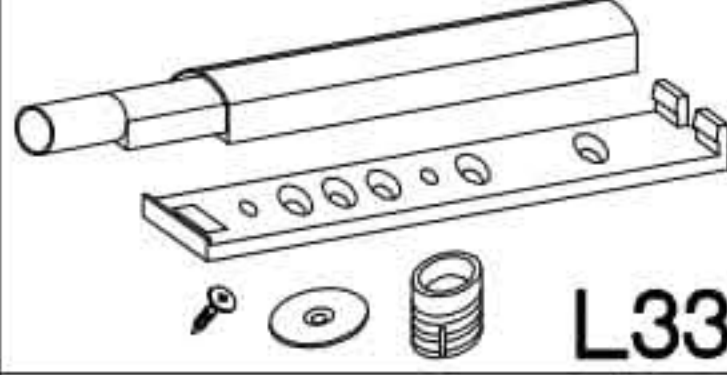



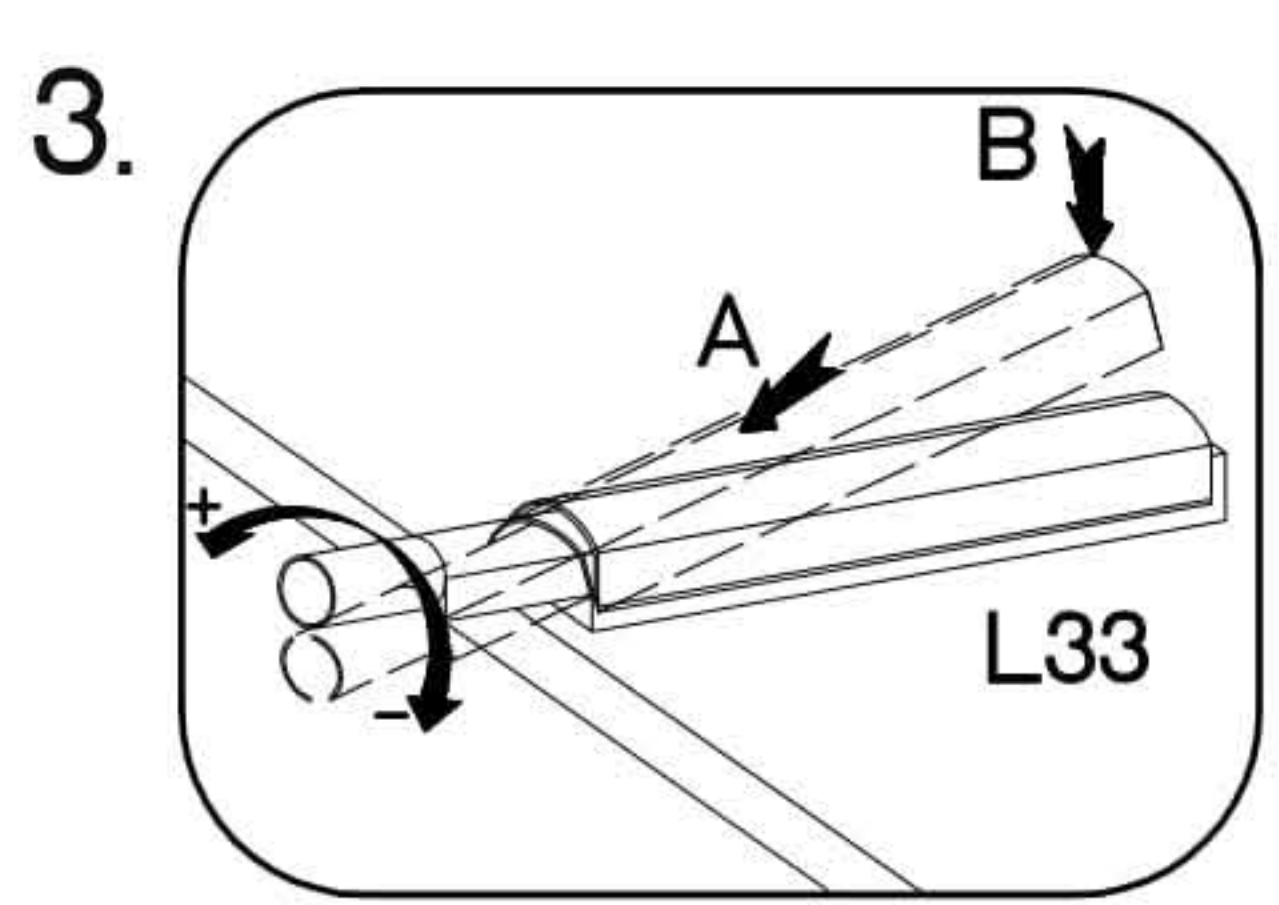
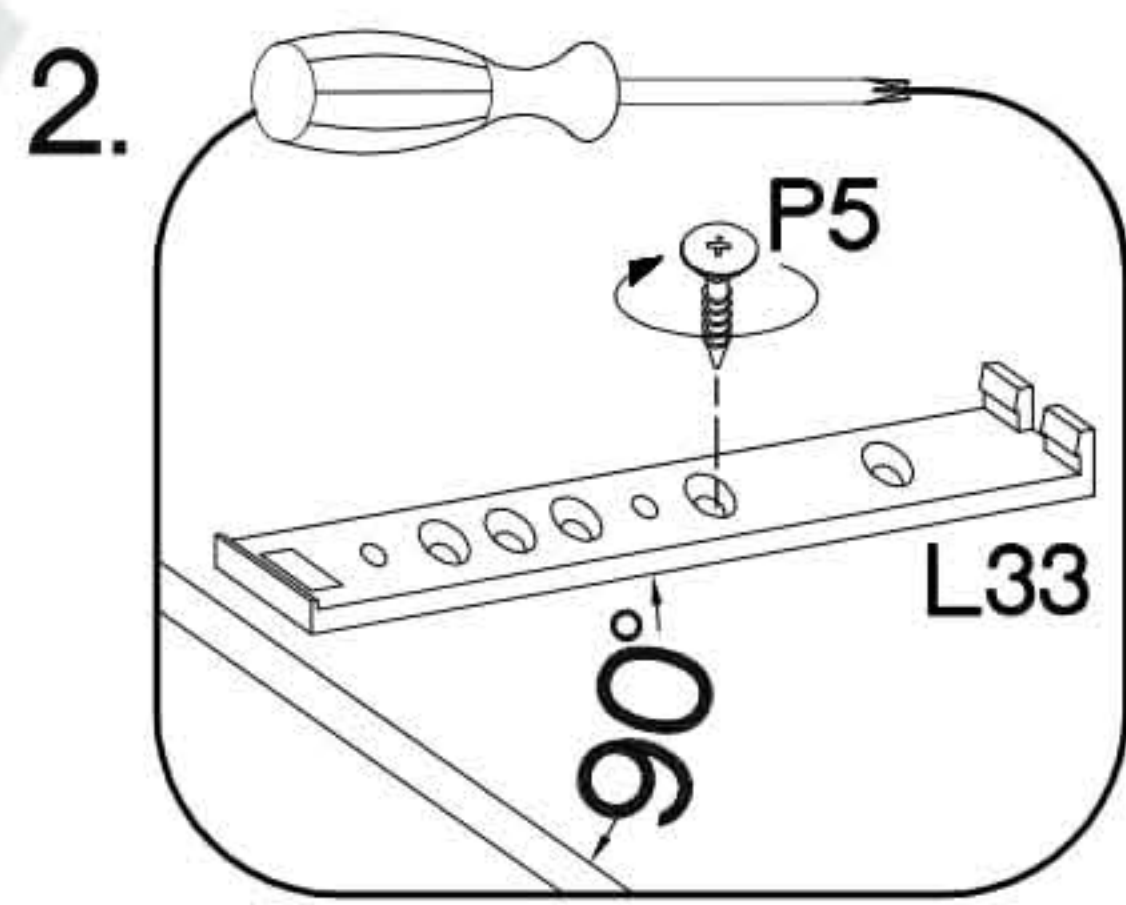
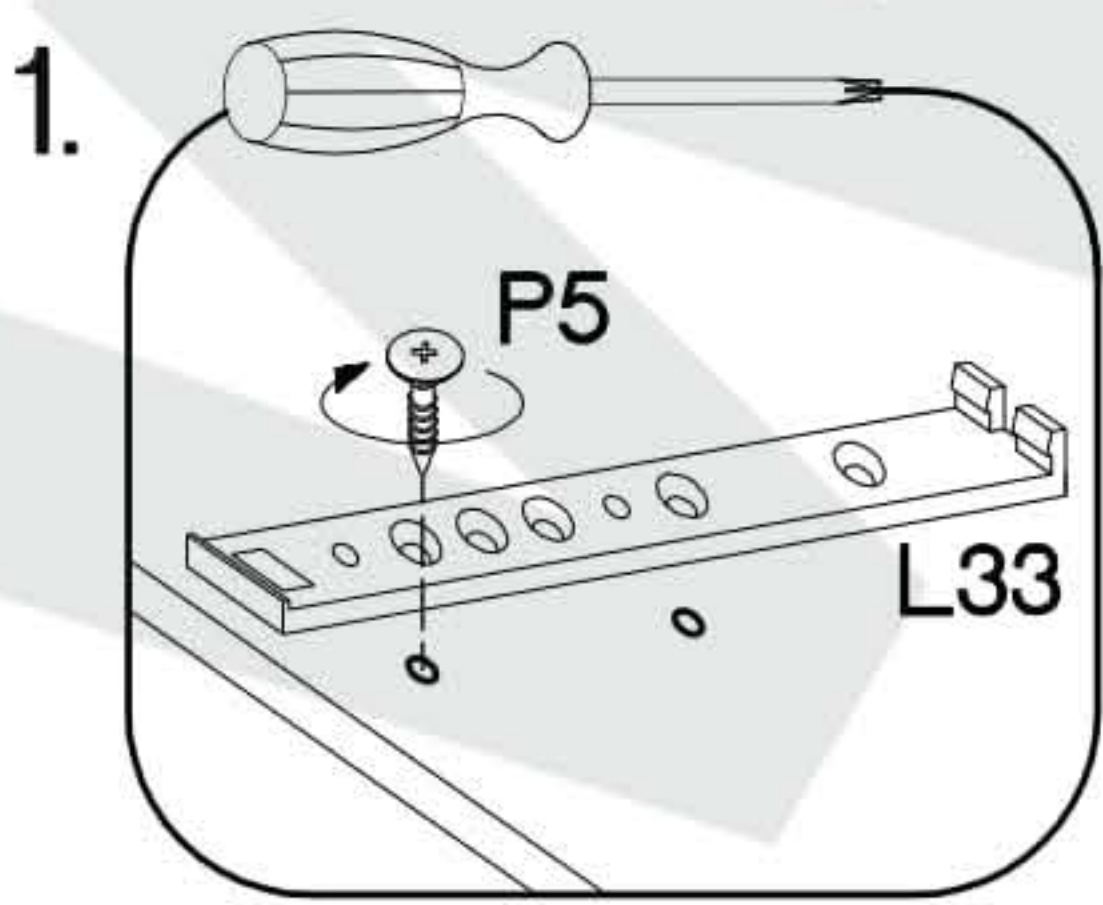
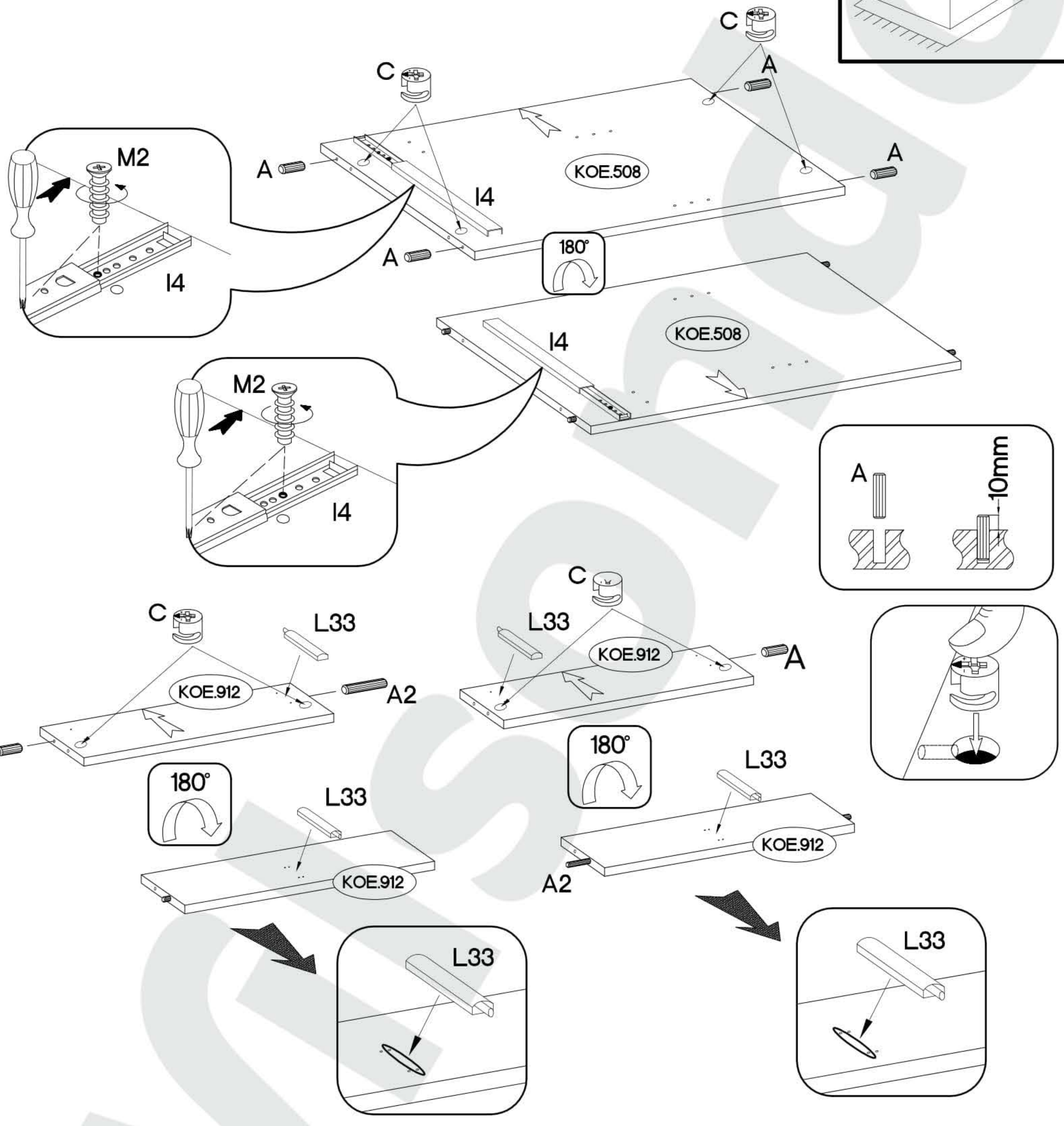
x2



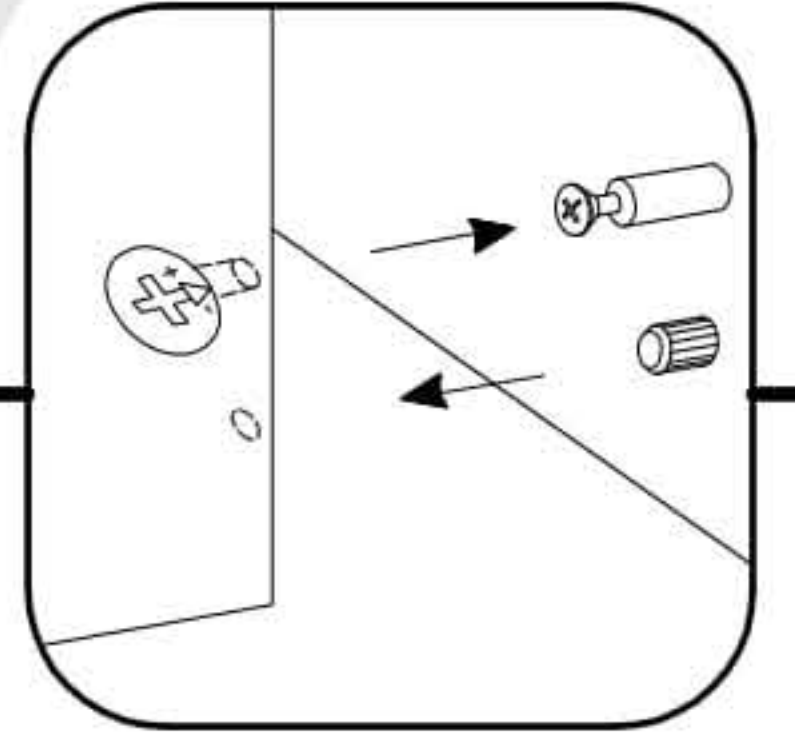
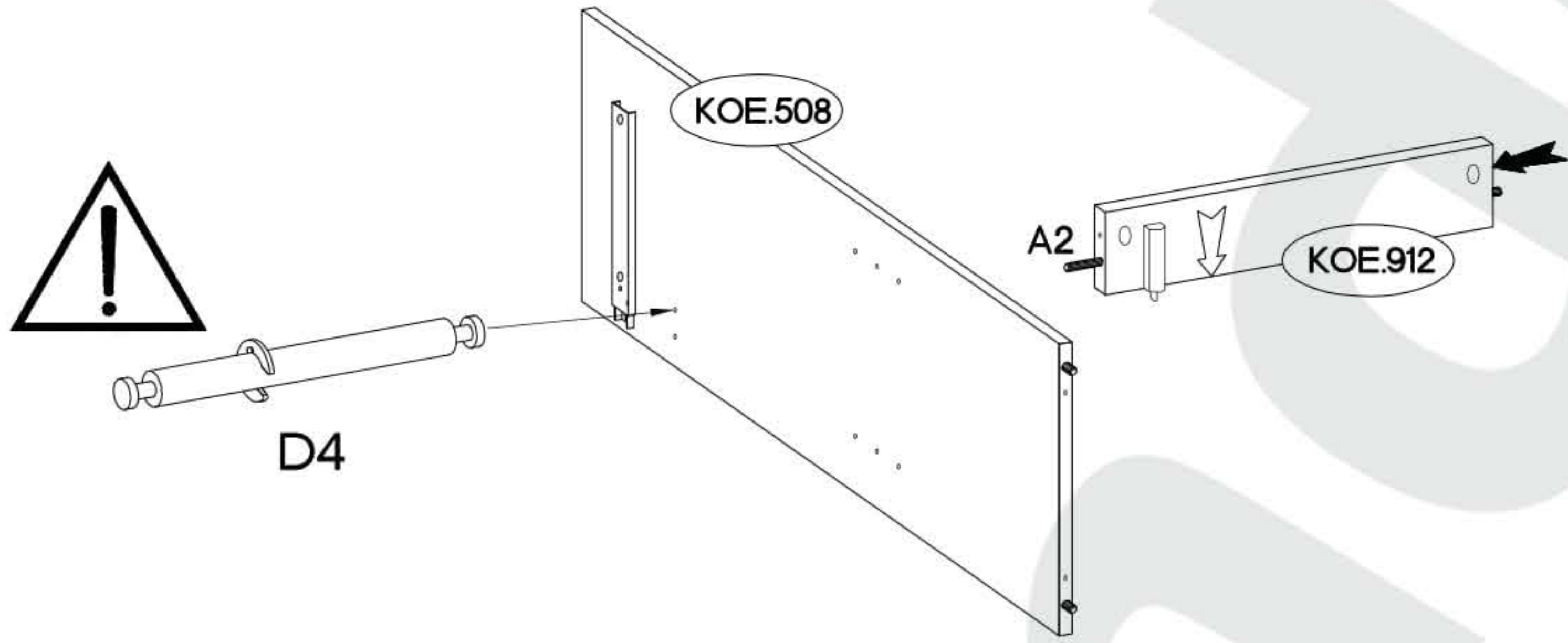
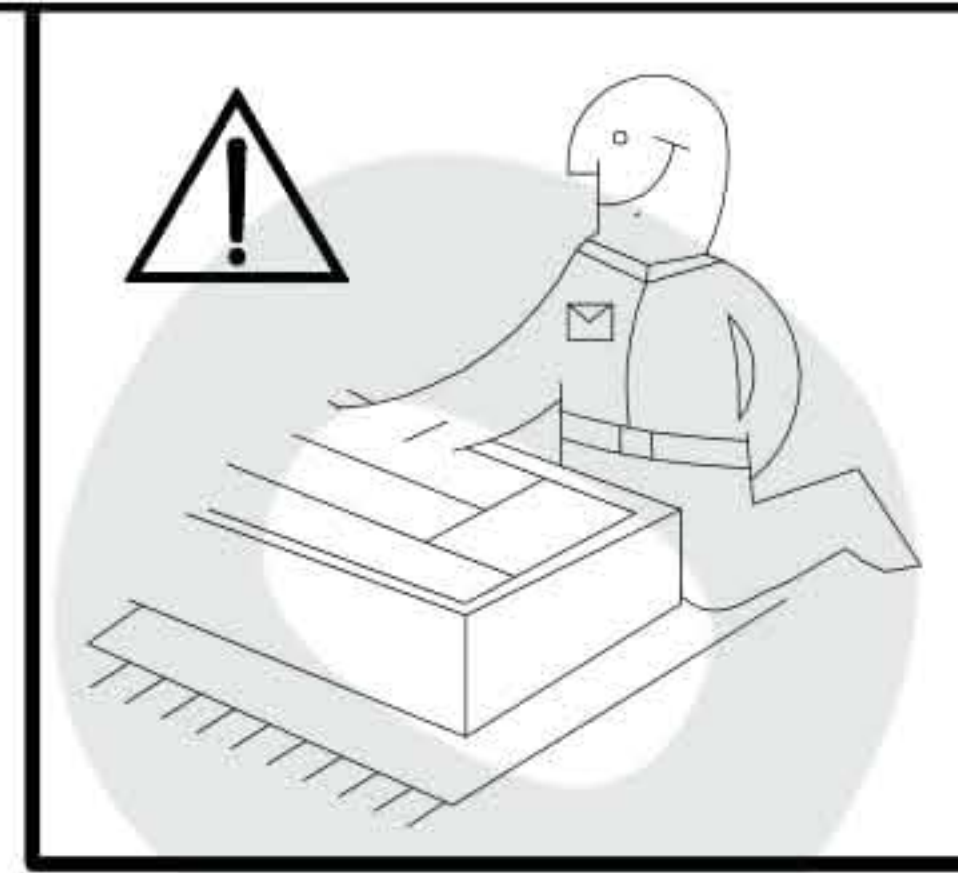
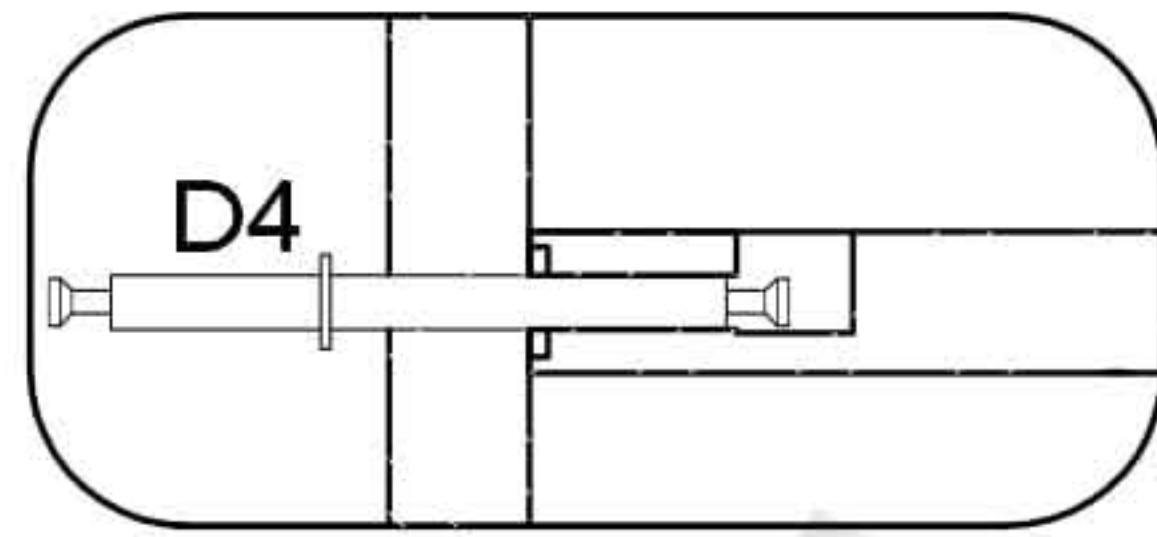
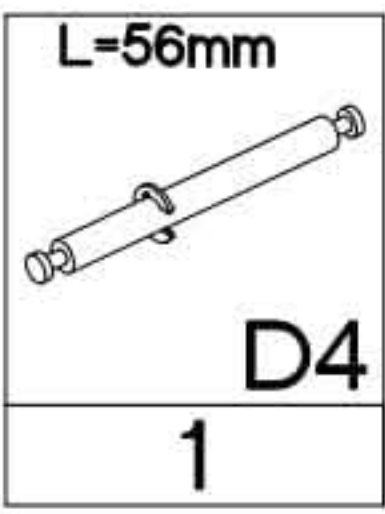
†8x30mm  A	†15/12mm  C	L=20mm  D2	27/310mm  I4	†6.3x20mm  M3	†20/8mm  J14
8	8	14	1	4	4



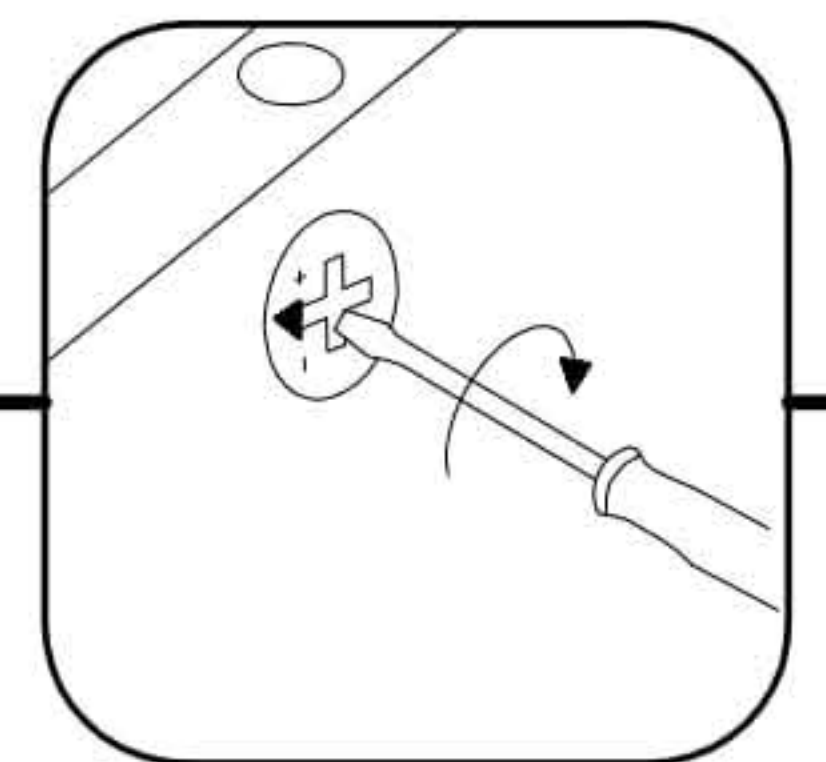
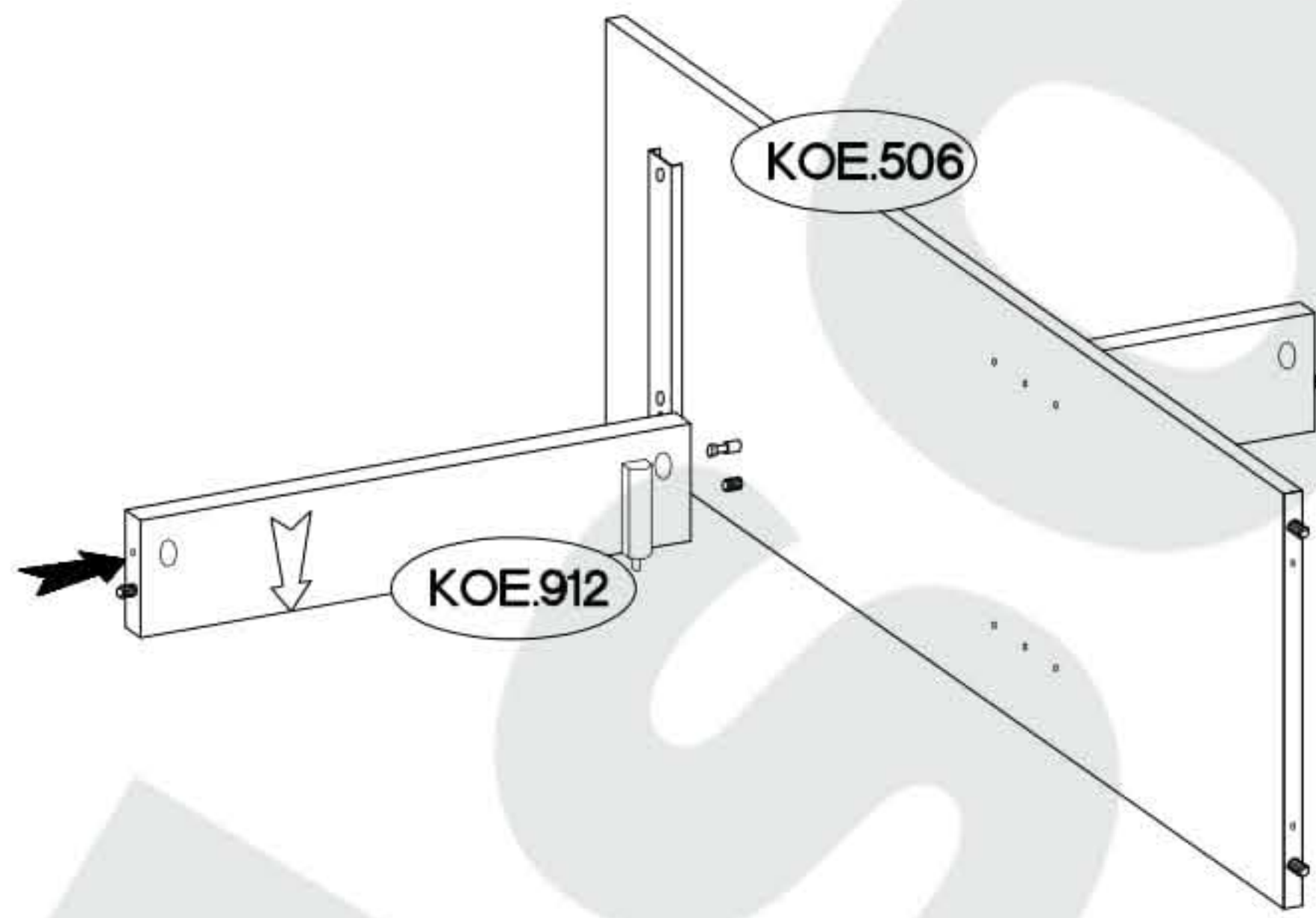
$\pm 8 \times 30 \text{mm}$  A	$\pm 8 \times 60 \text{mm}$  A2	$\pm 15/12 \text{mm}$  C	$27/310 \text{mm}$  I4	$\pm 6,3 \times 13 \text{mm}$  M2	 L33	$\pm 3,5 \times 13 \text{mm}$  P5
6	1	8	1	4	4	8



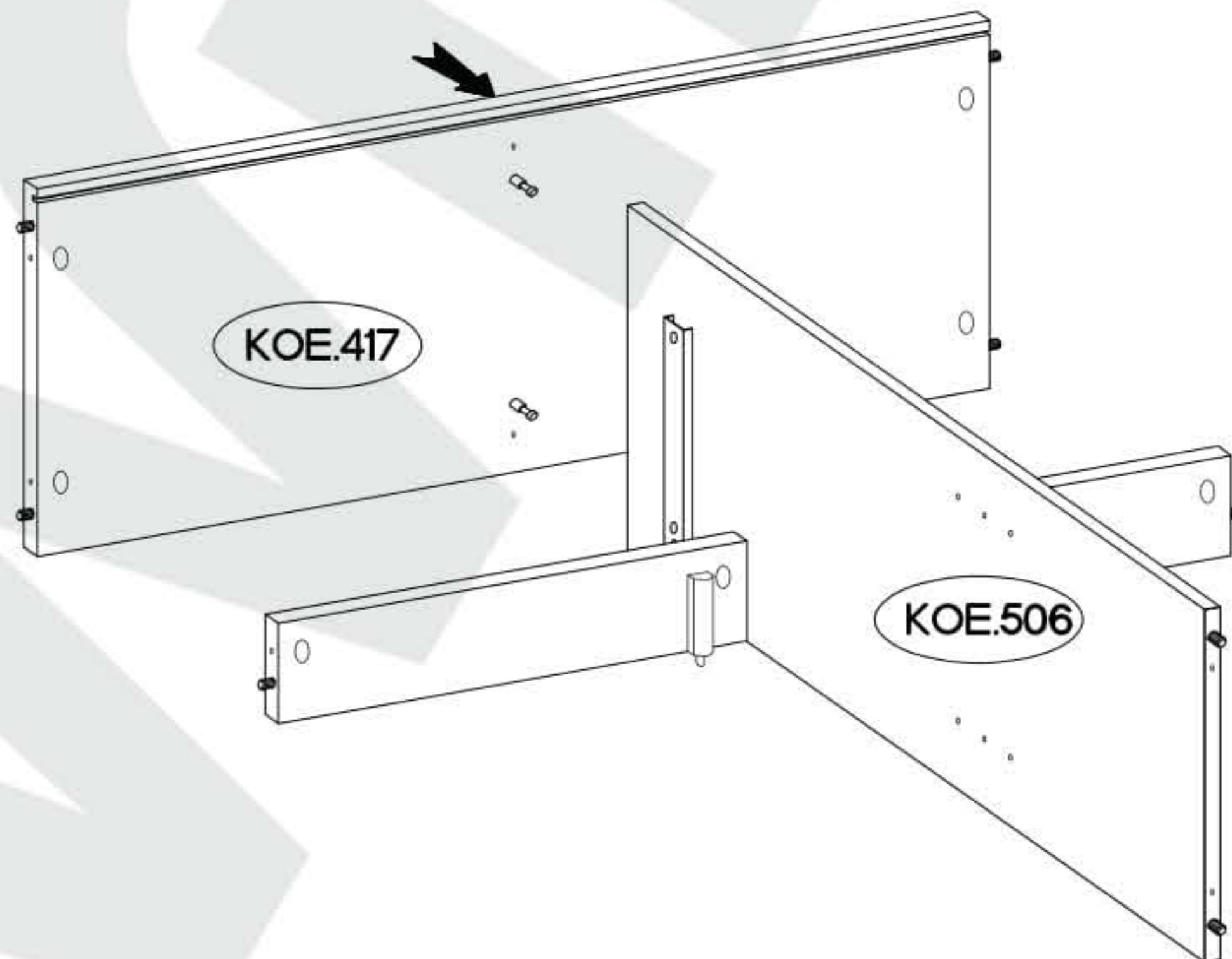
8

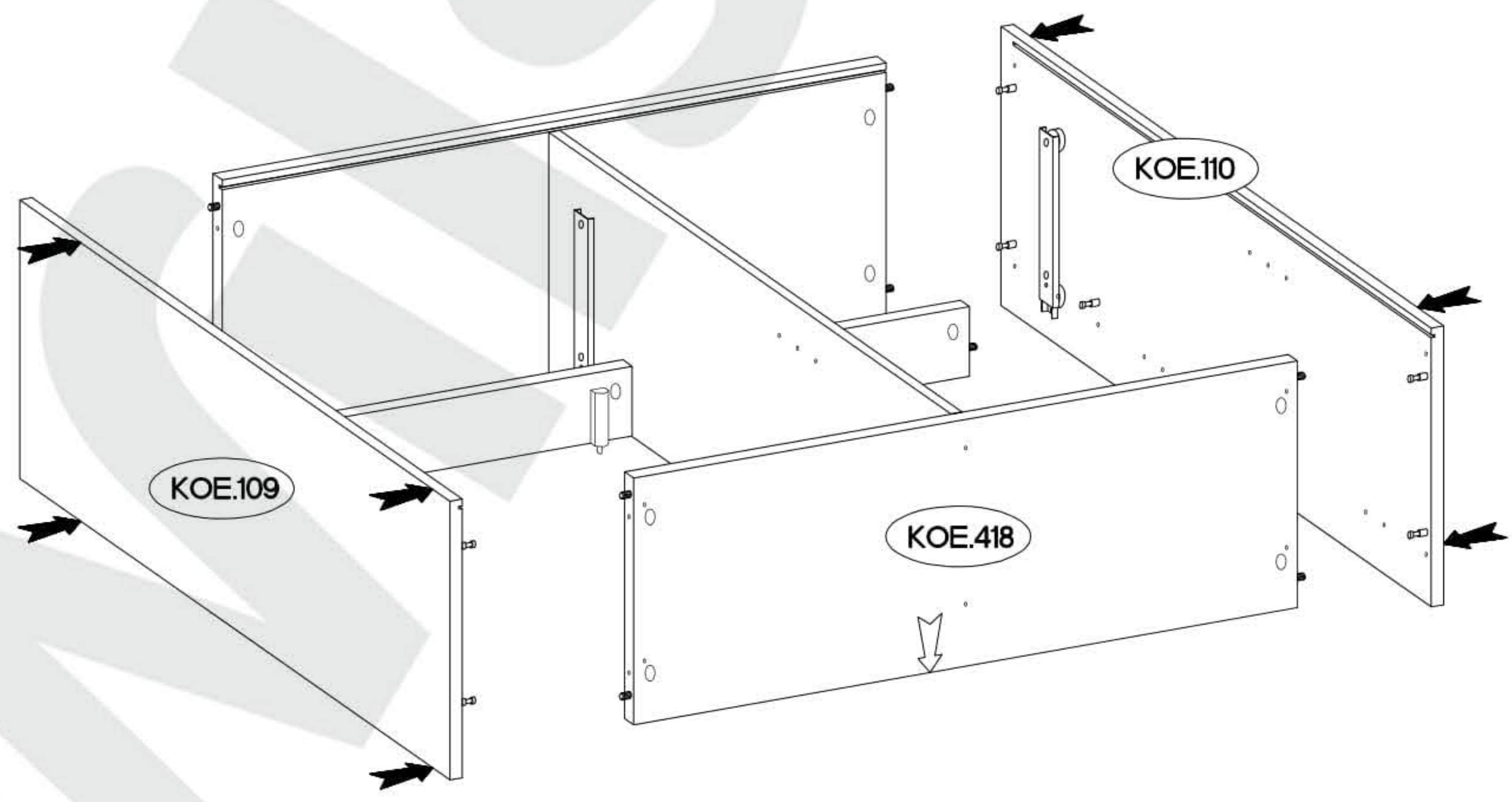
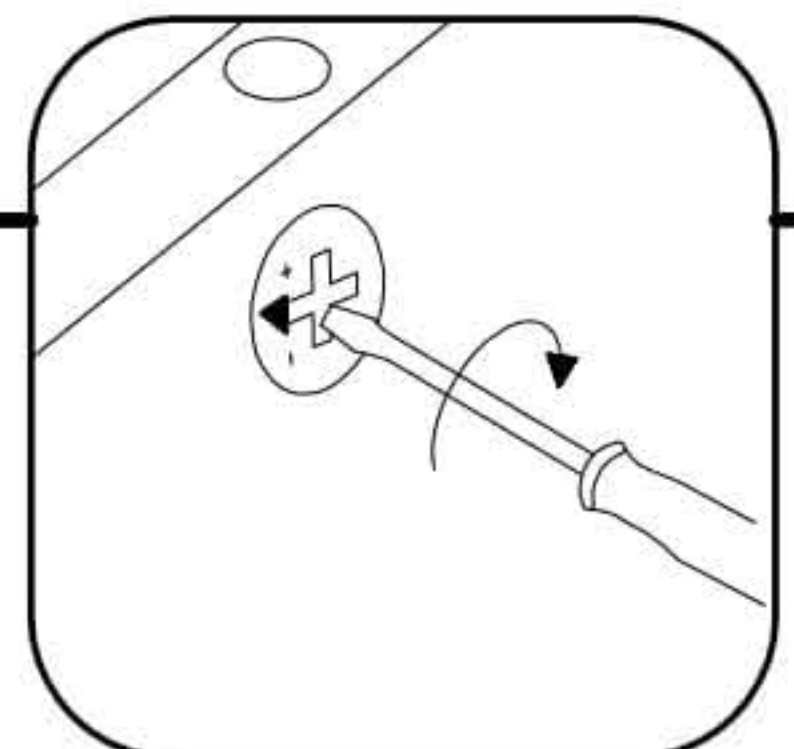
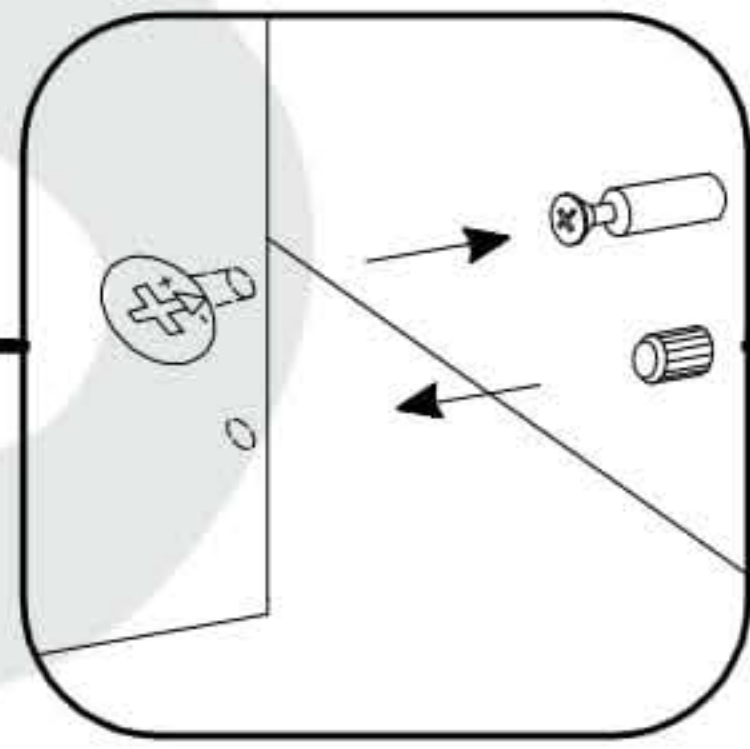
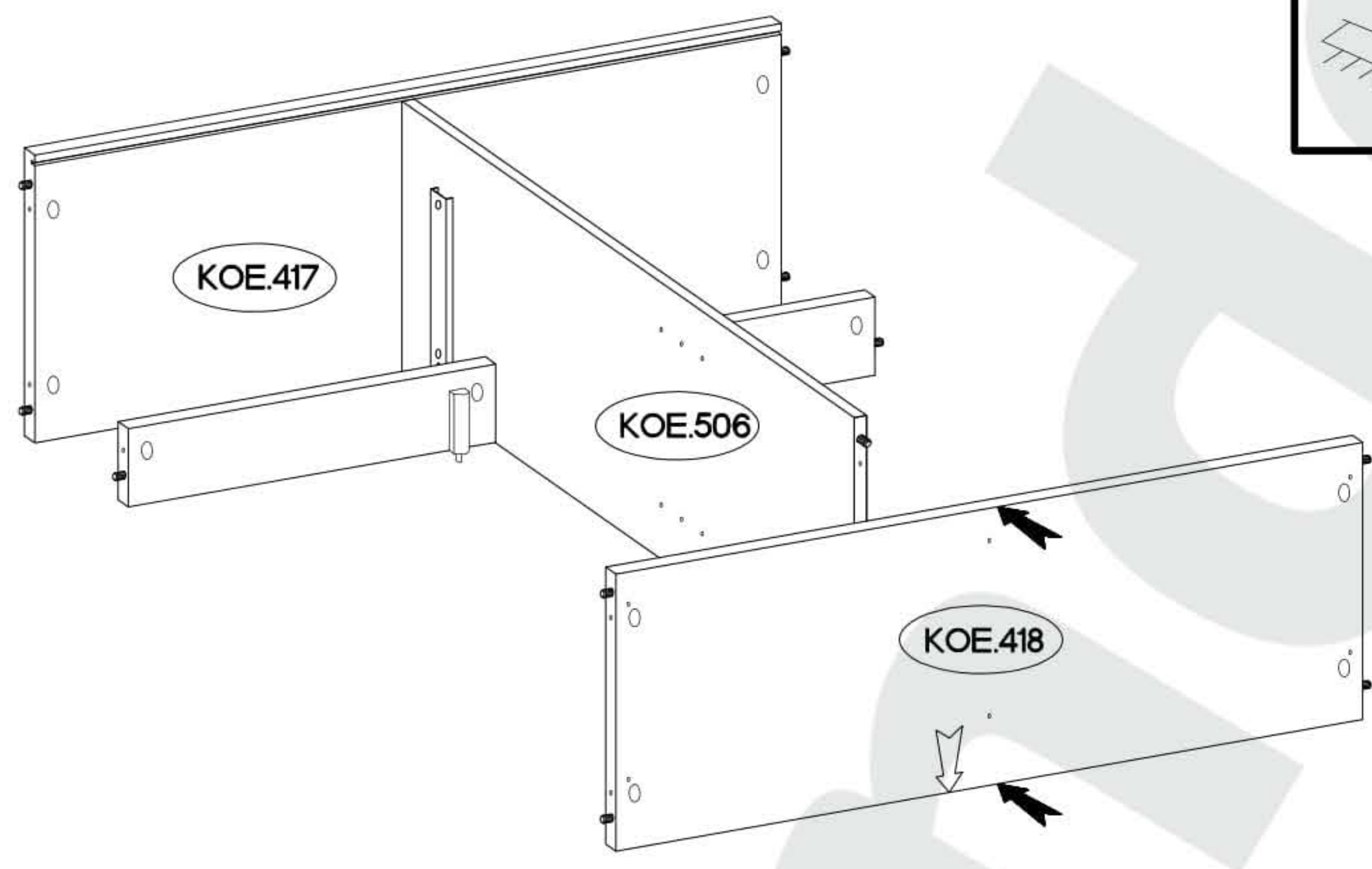
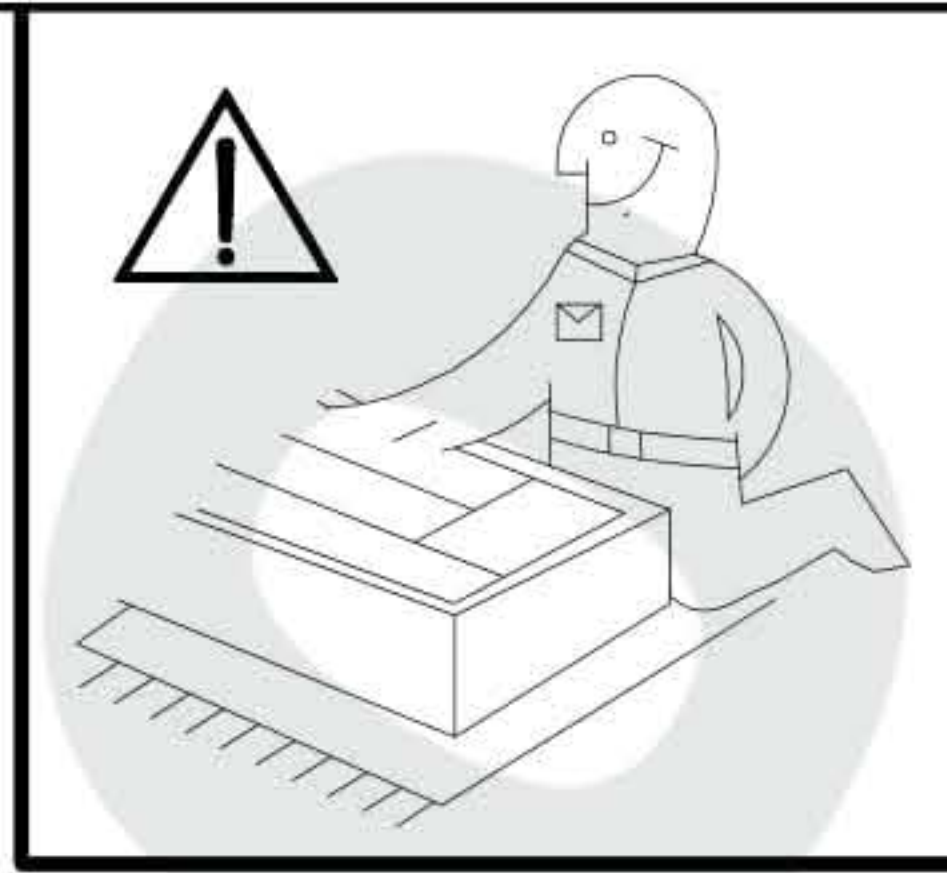


9

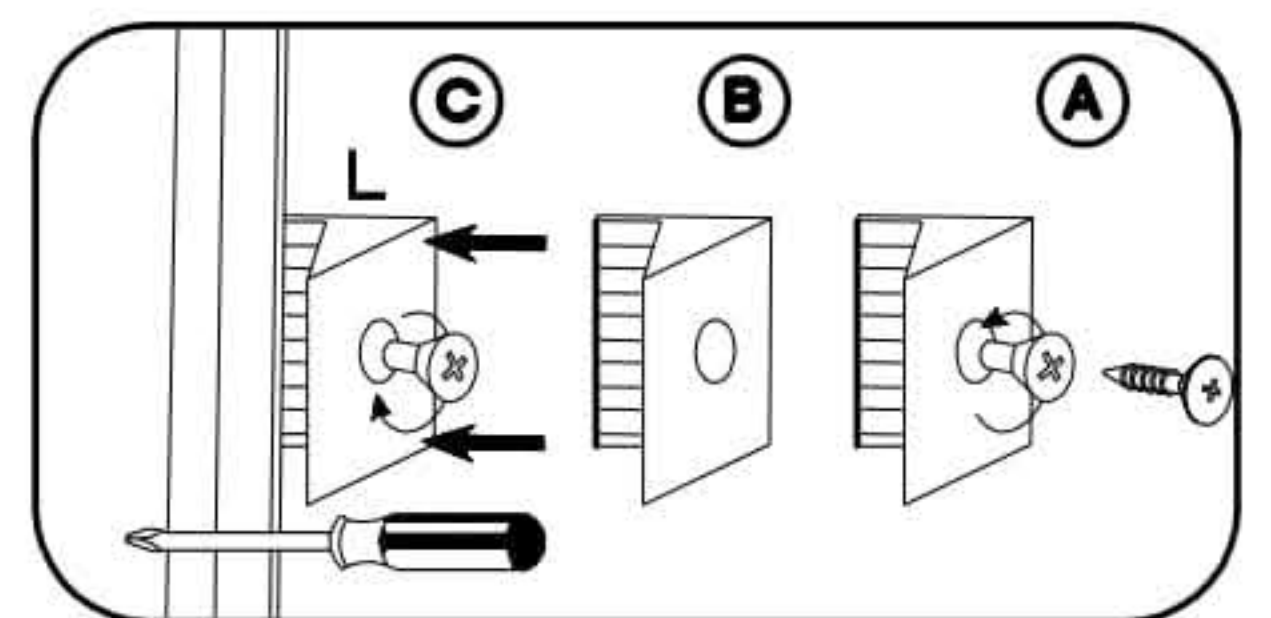
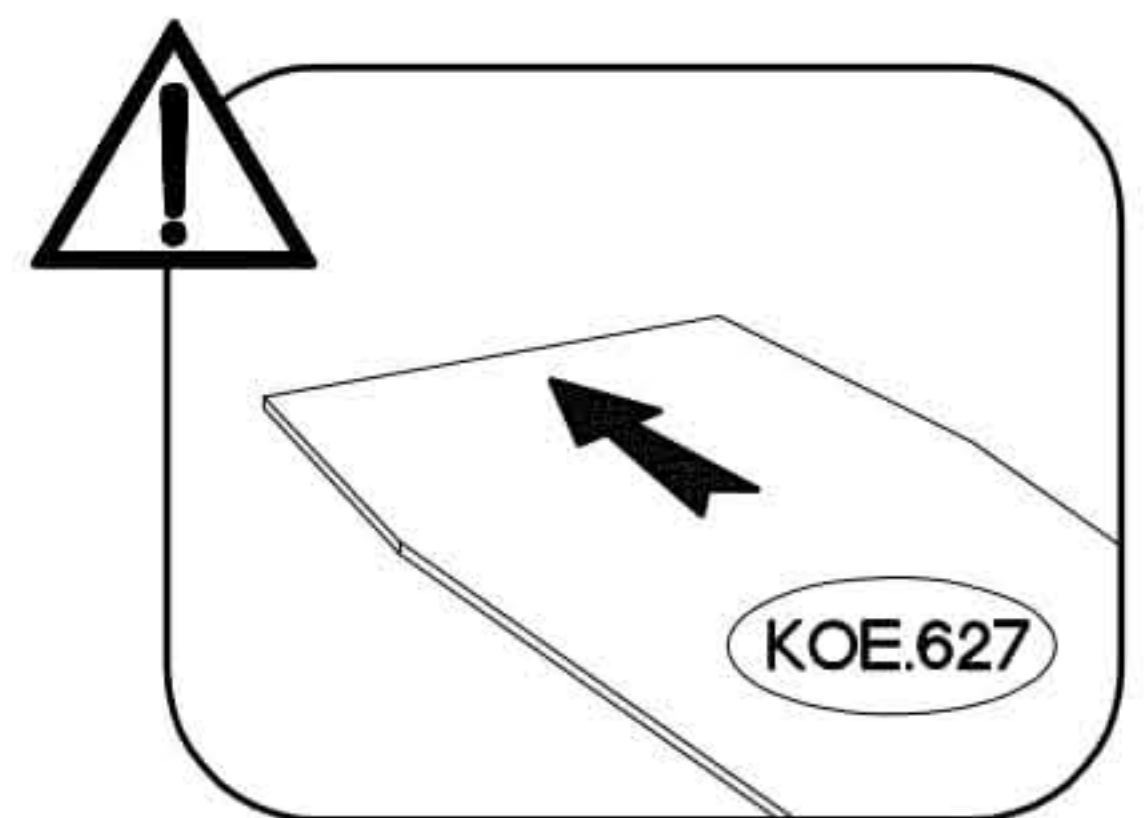
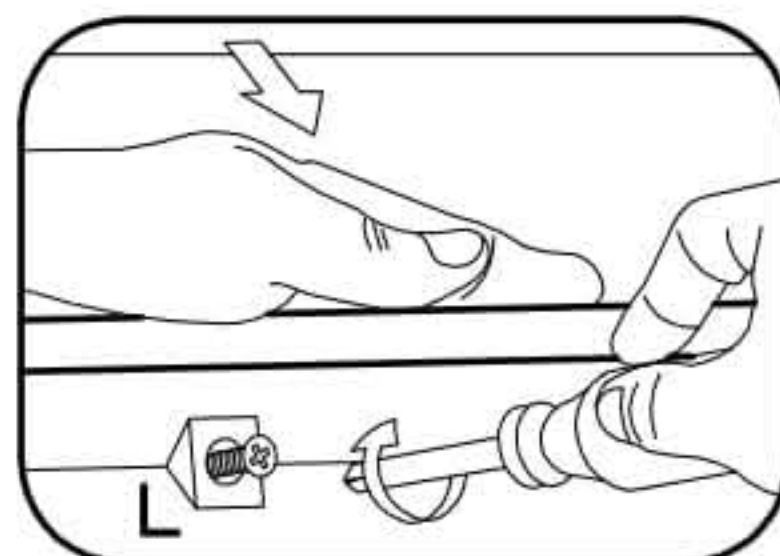
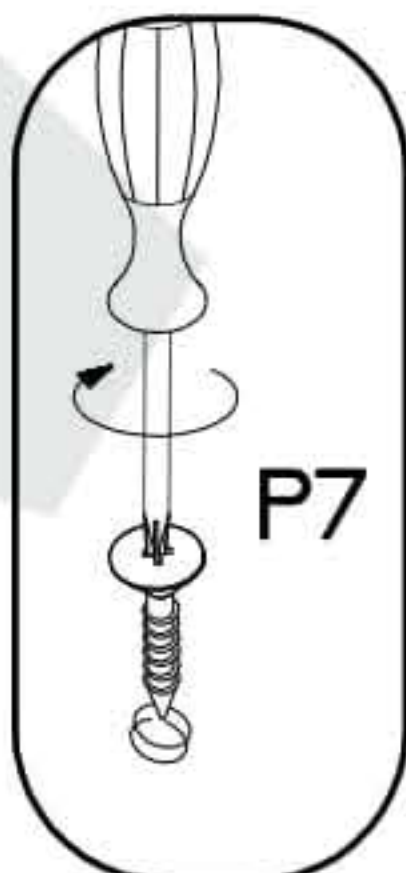
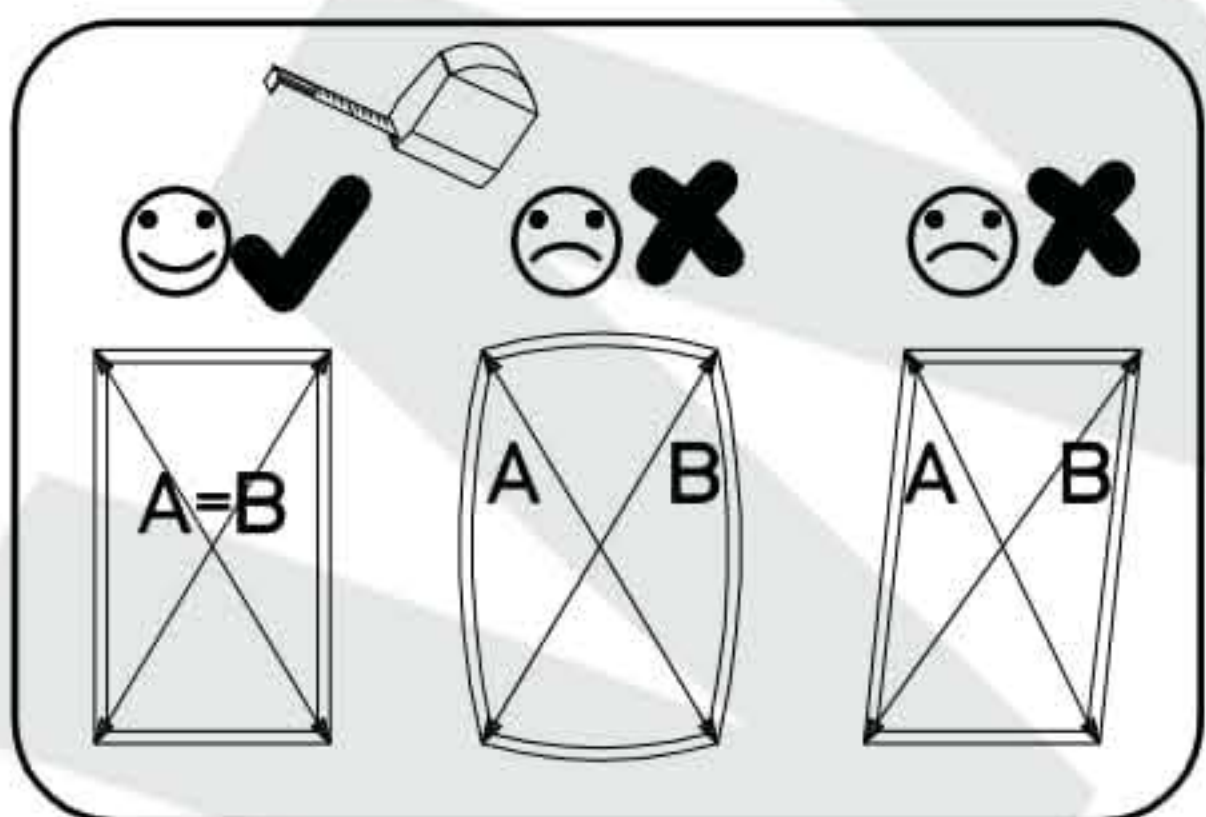
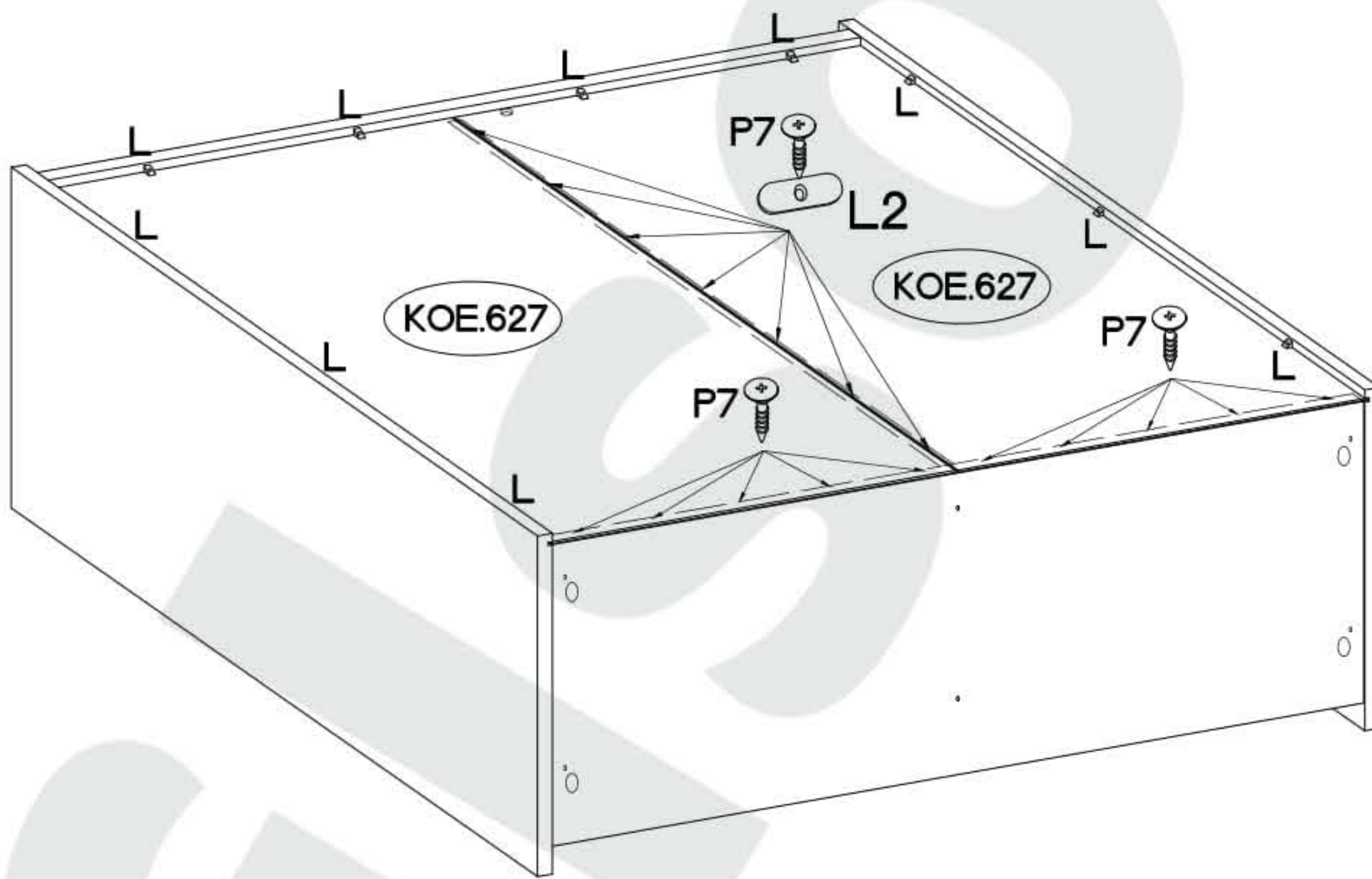
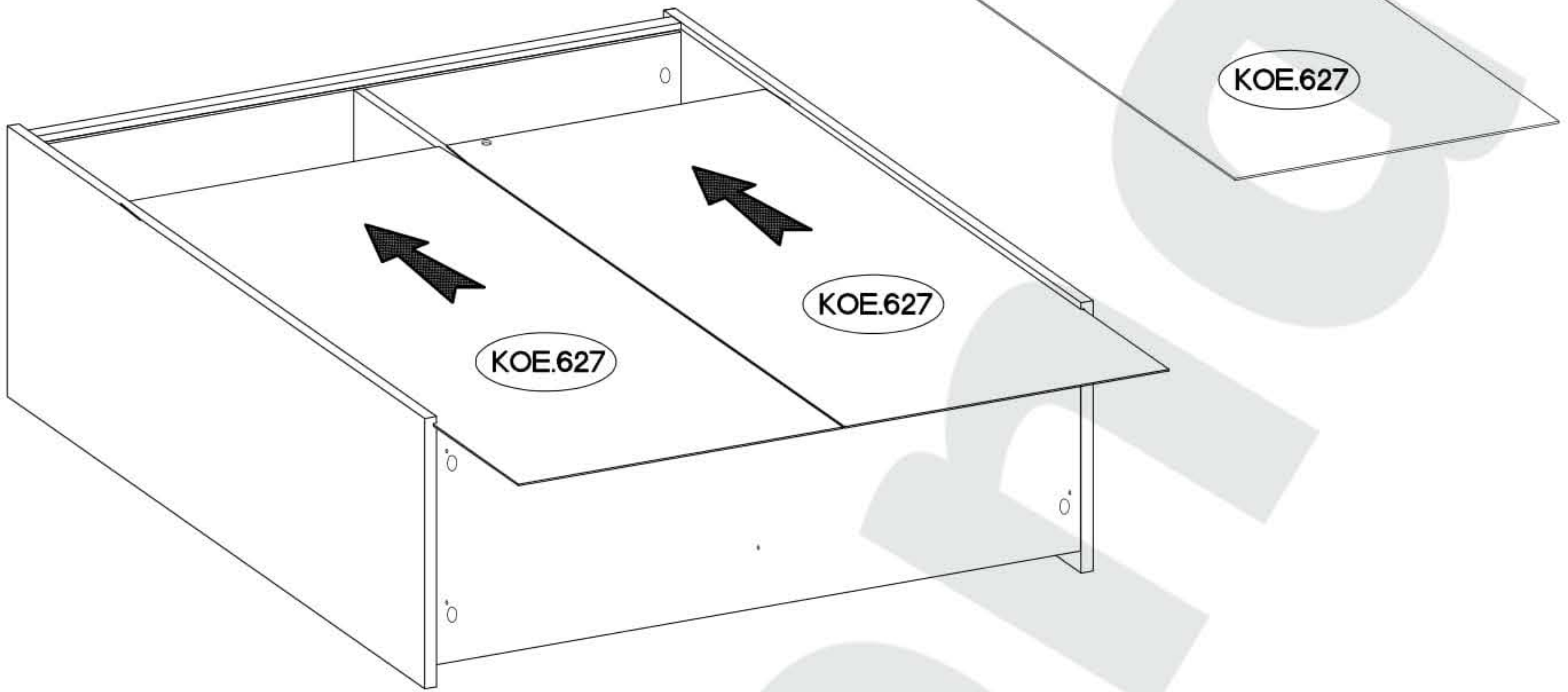
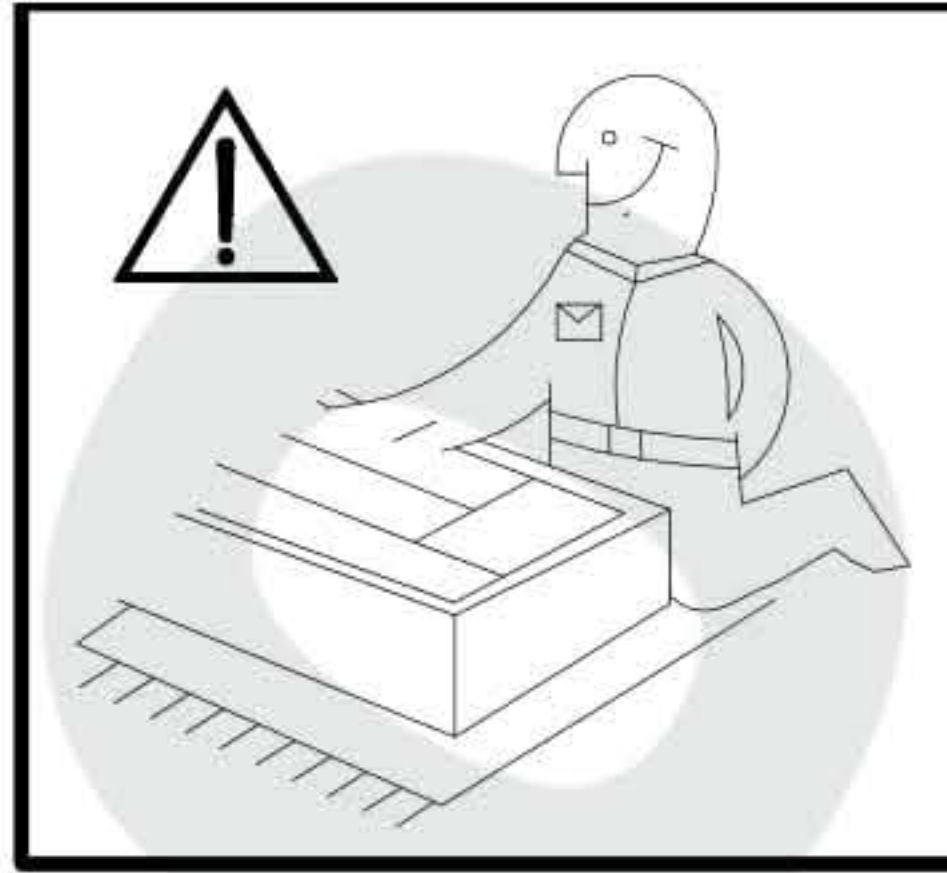
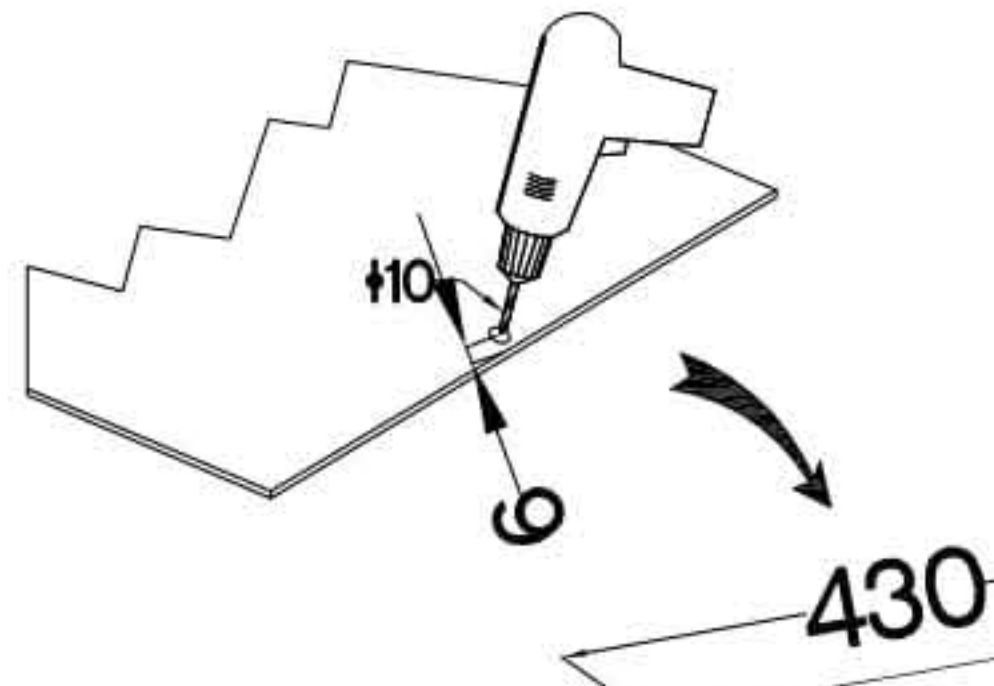


10






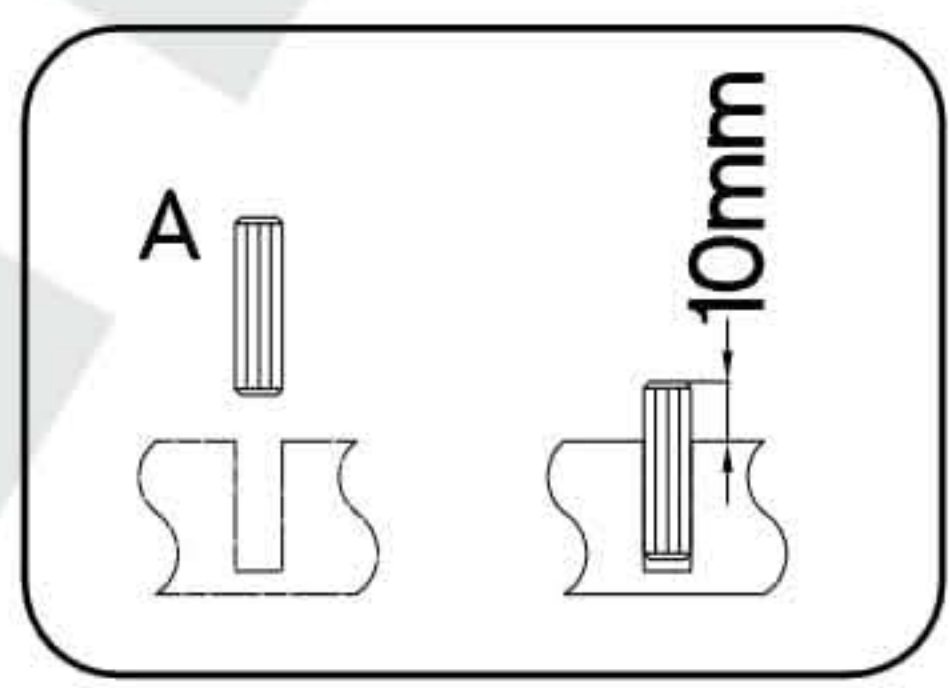
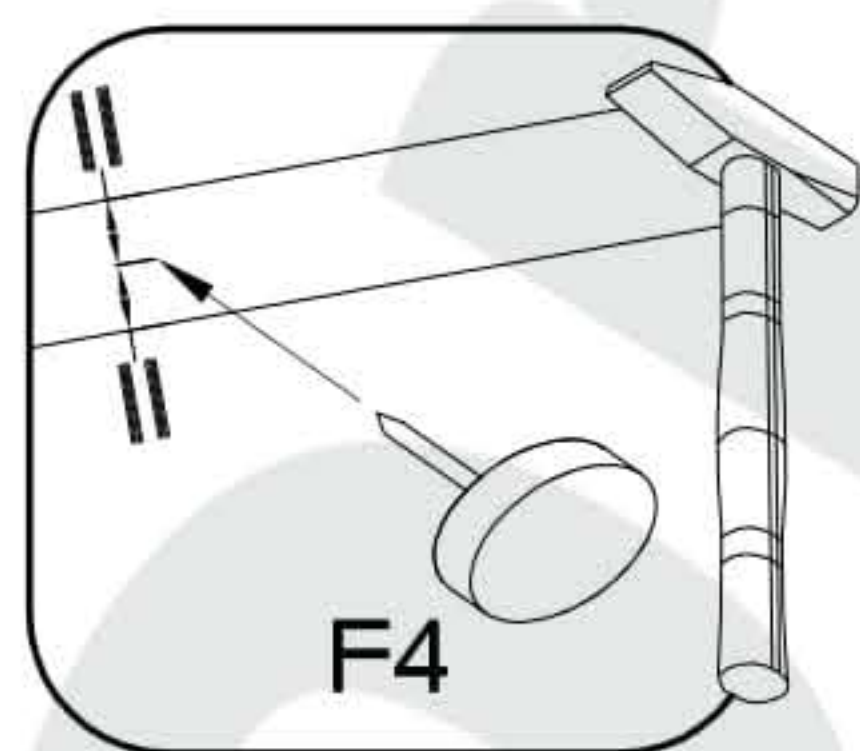
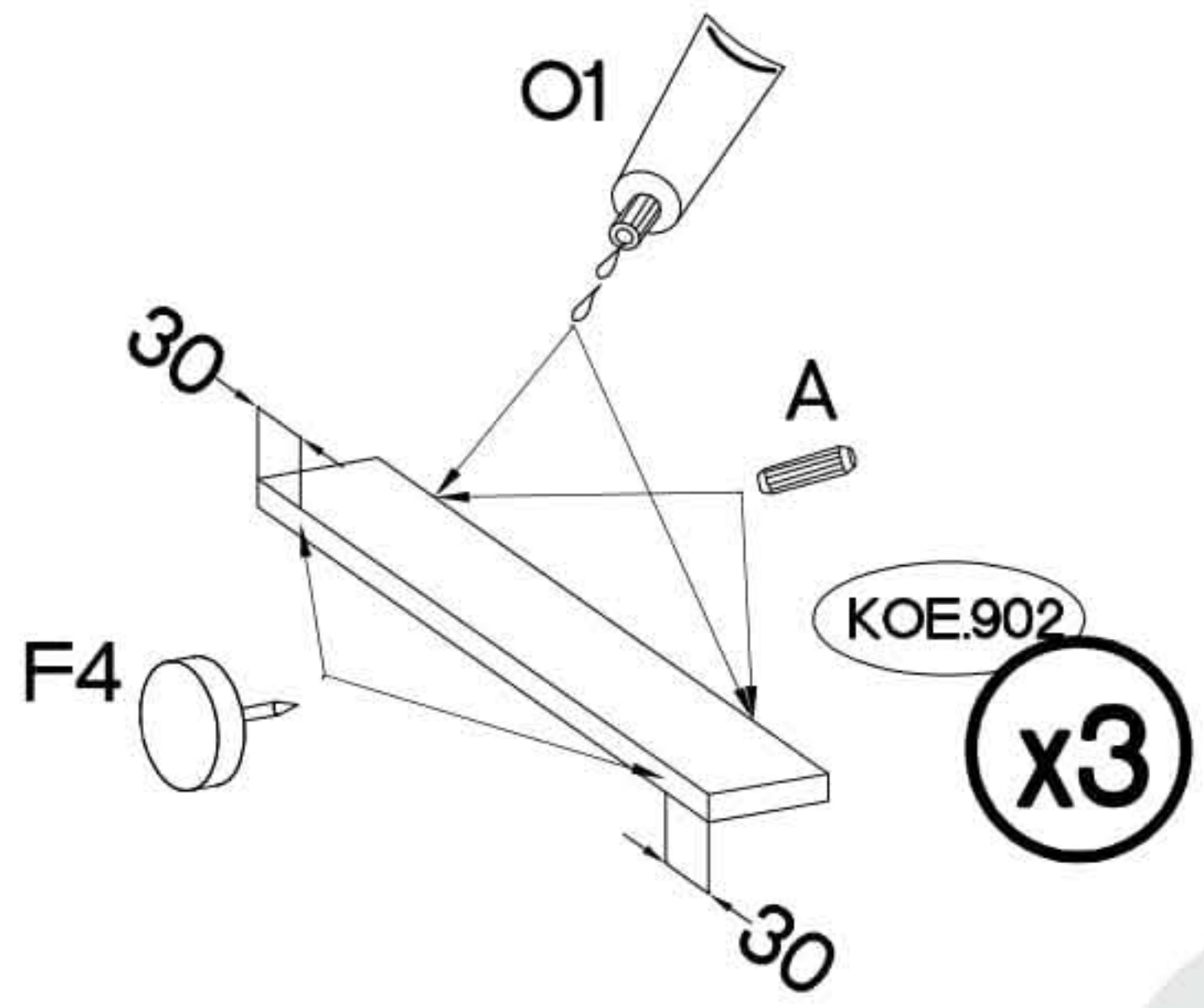
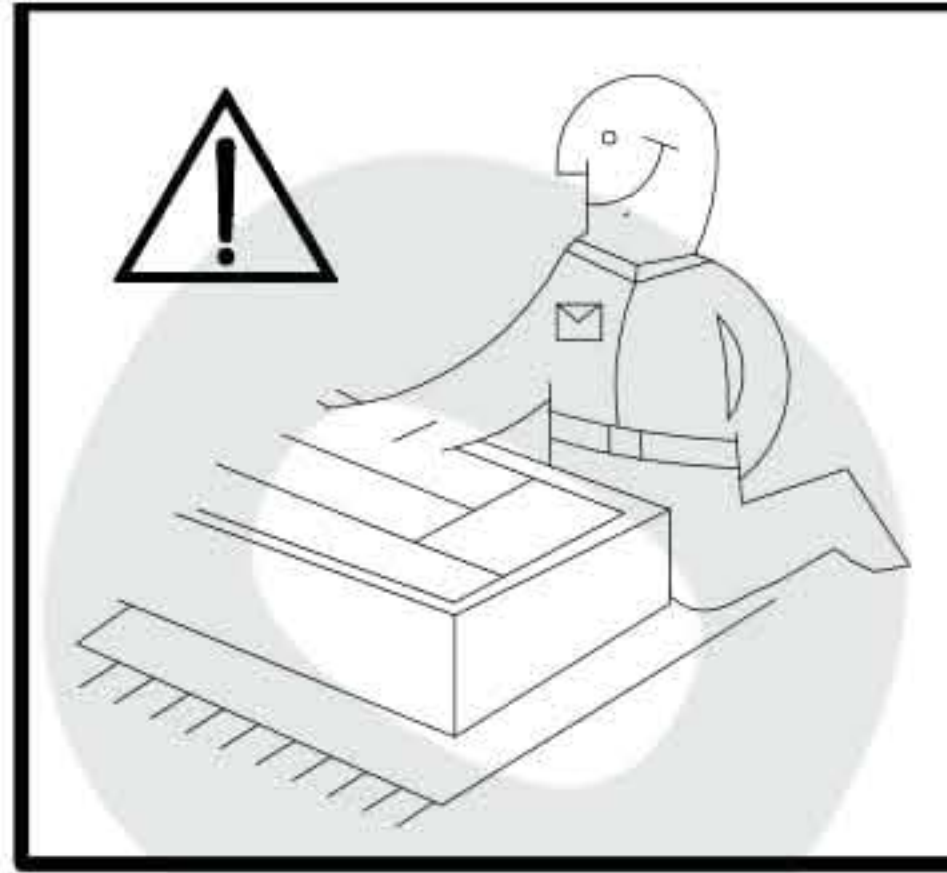


3.0x20mm			
	P7	L2	L
	17	7	10

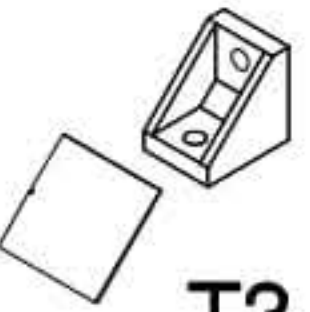



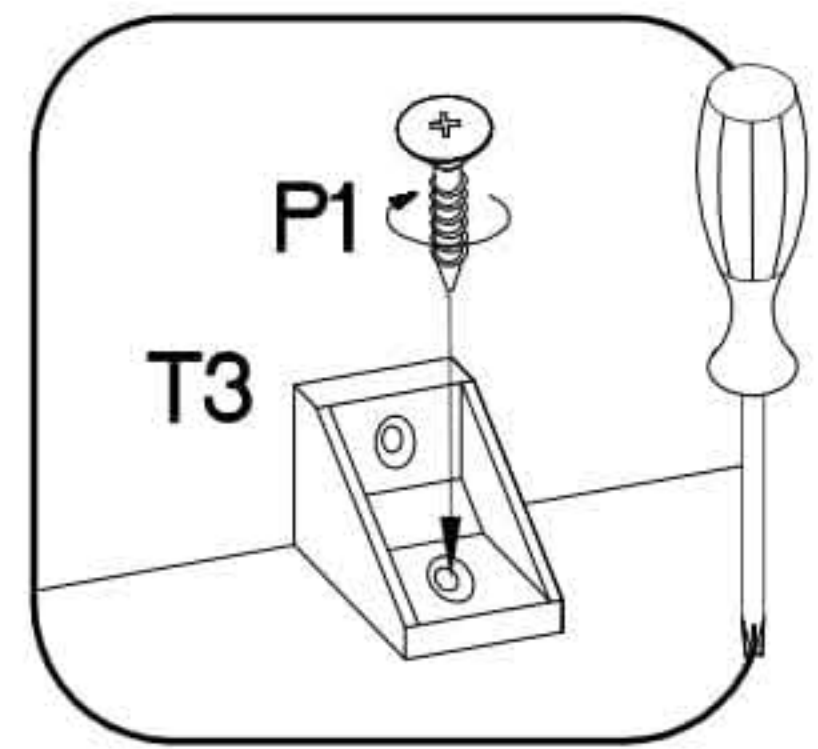
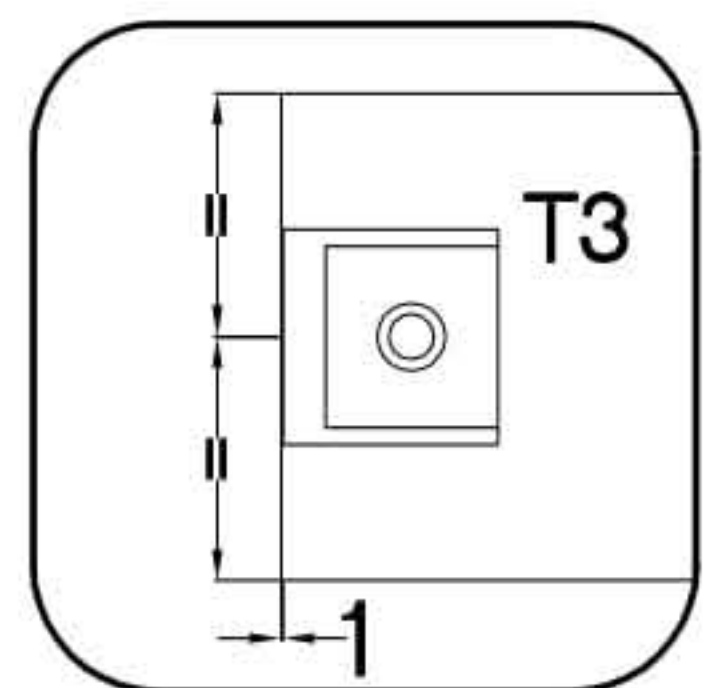
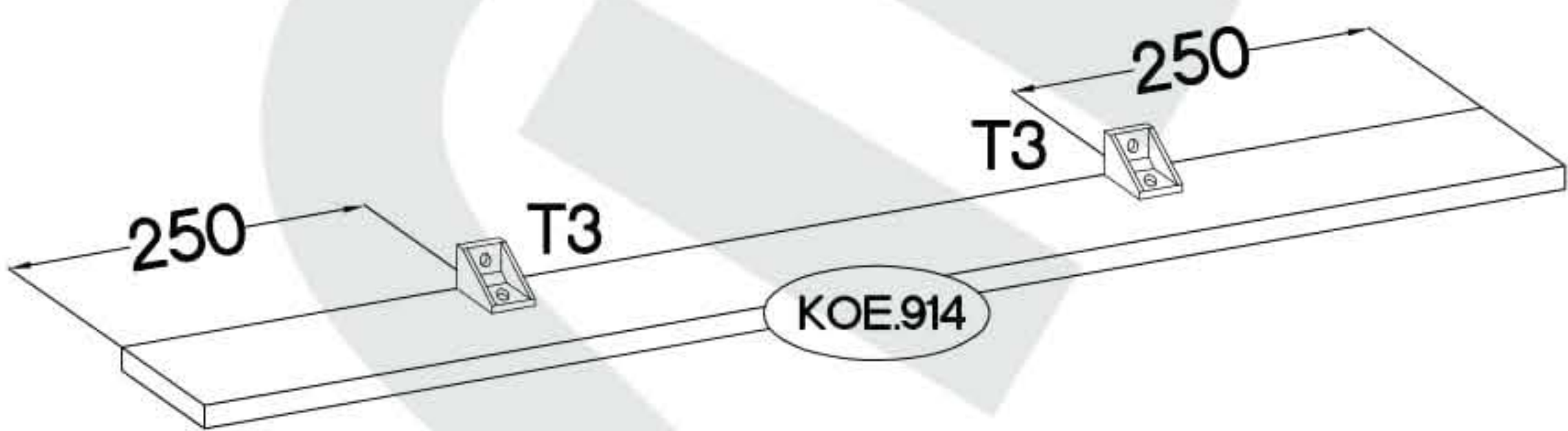
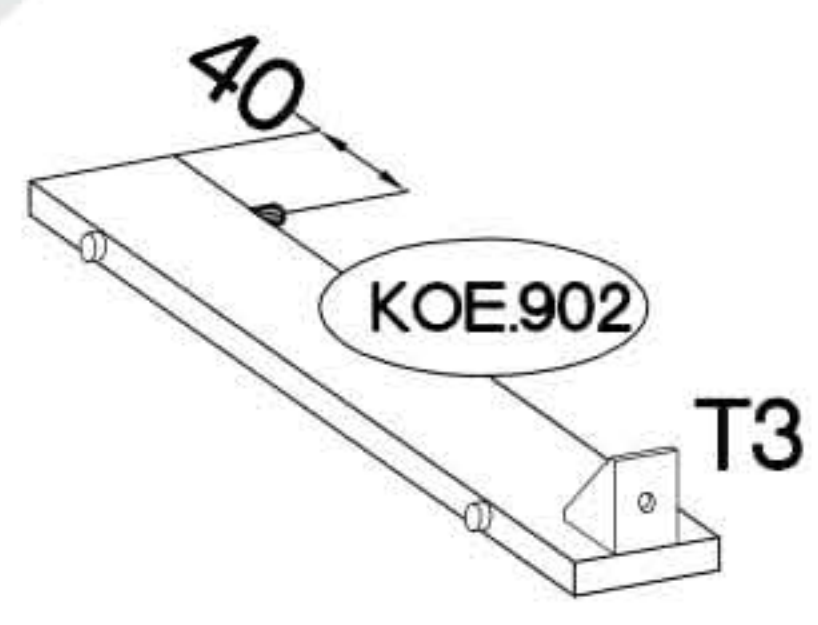
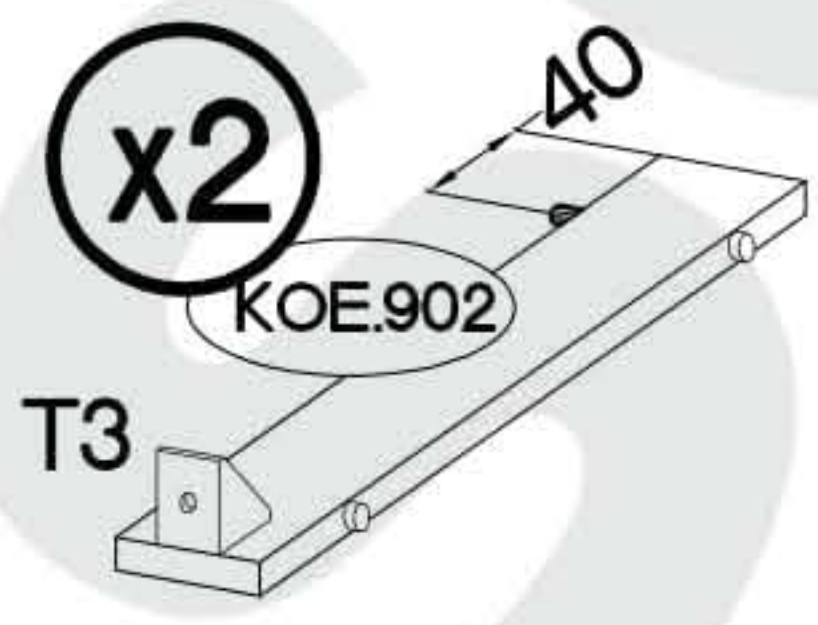
14

†15x5mm  F4 6	 O1 1	†8x30mm  A 6
--------------------------------------------------------------------------------------------------------	---------------------------------------------------------------------------------------------	-------------------------------------------------------------------------------------------------------

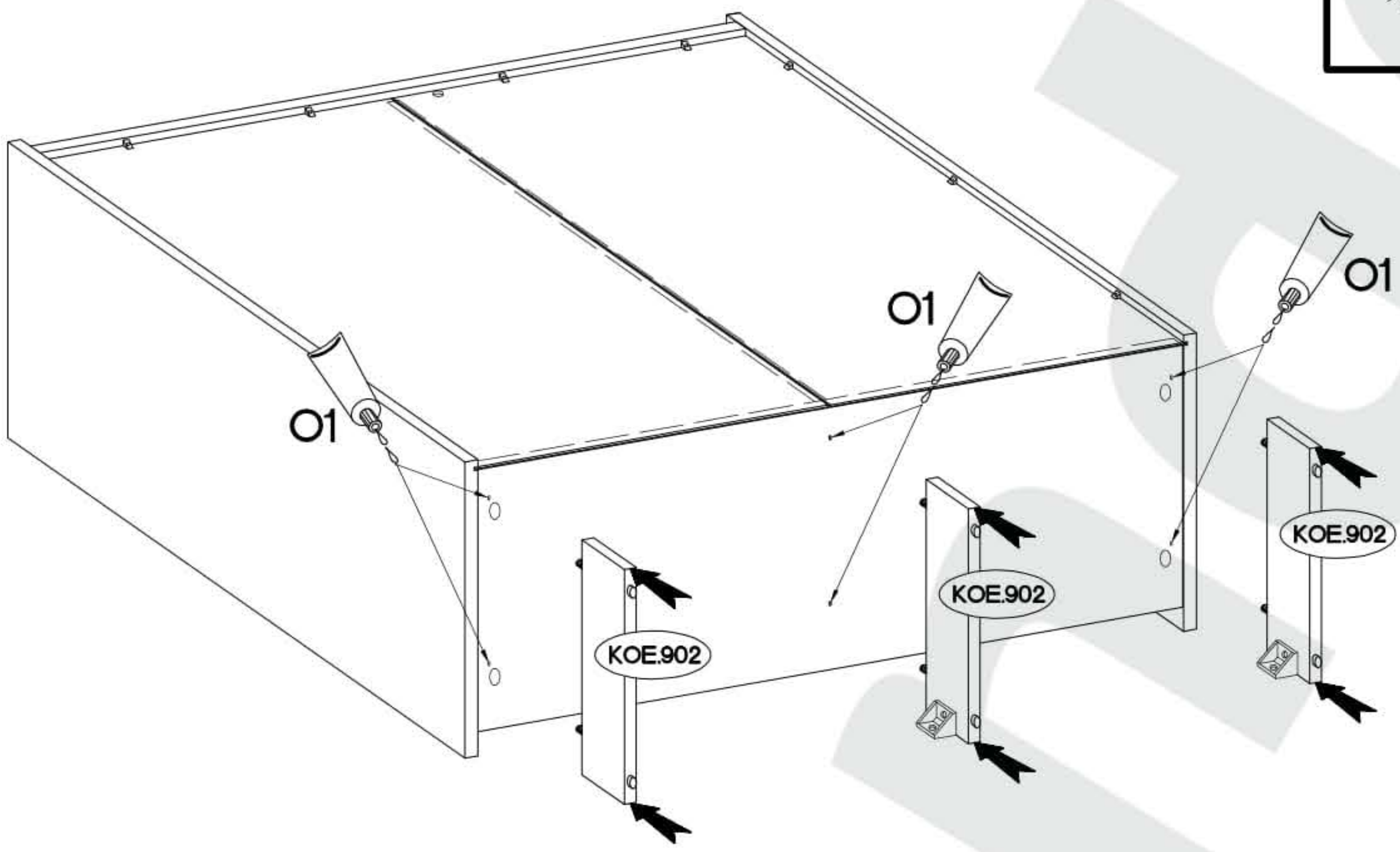
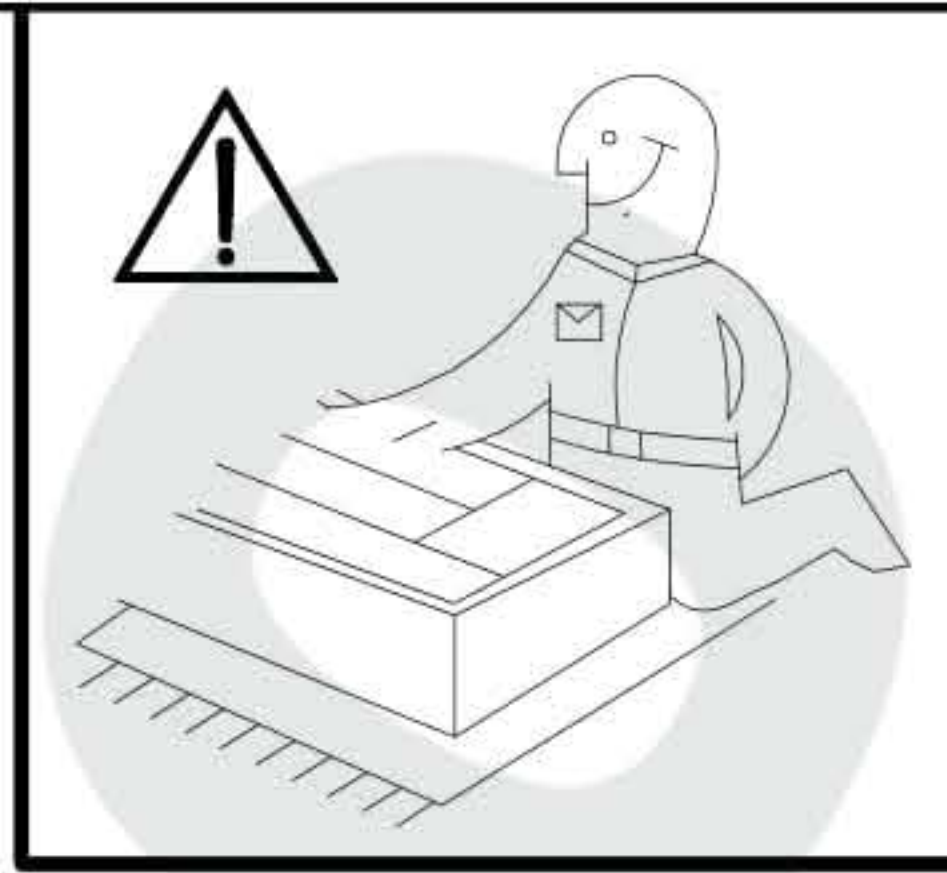
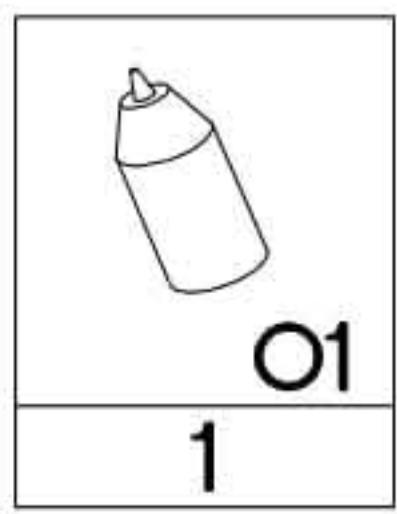


15

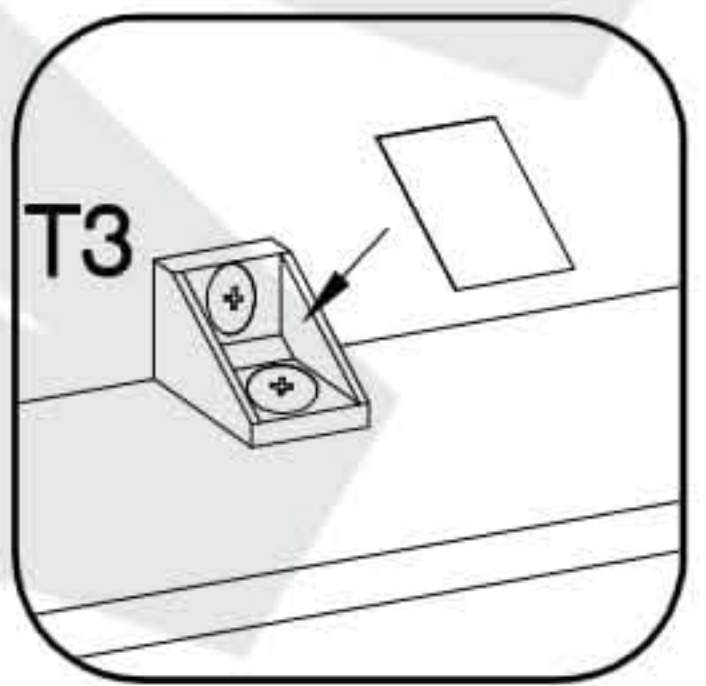
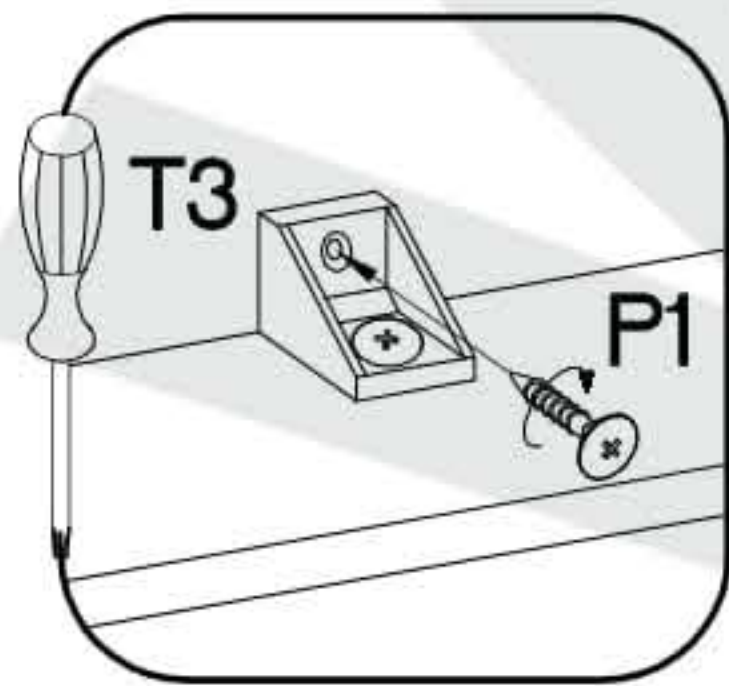
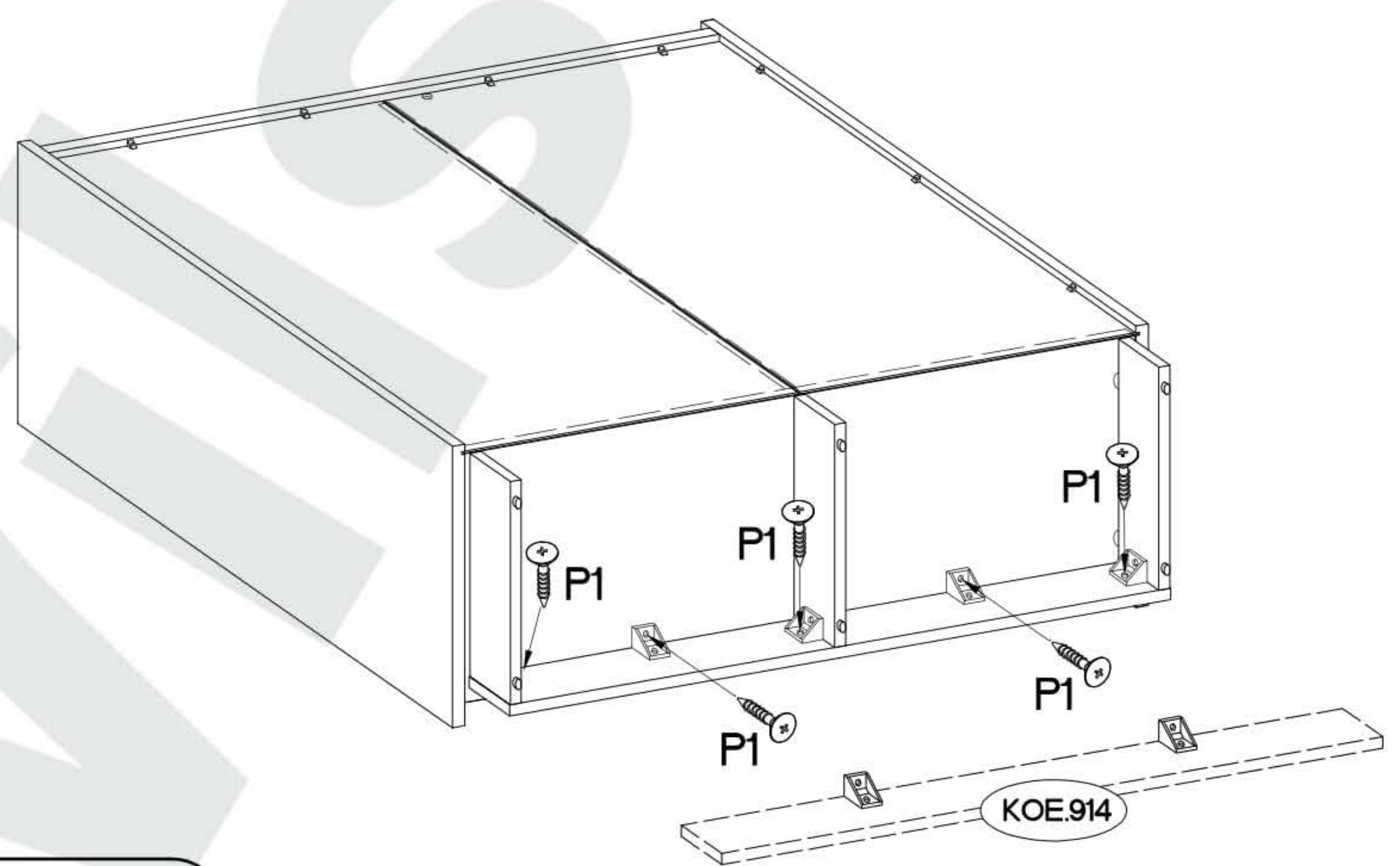
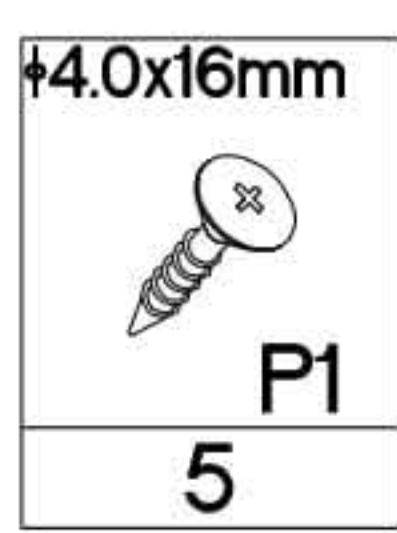
 T3 5	†4.0x16mm  P1 5
------------------------------------------------------------------------------------------------	-------------------------------------------------------------------------------------------------------------






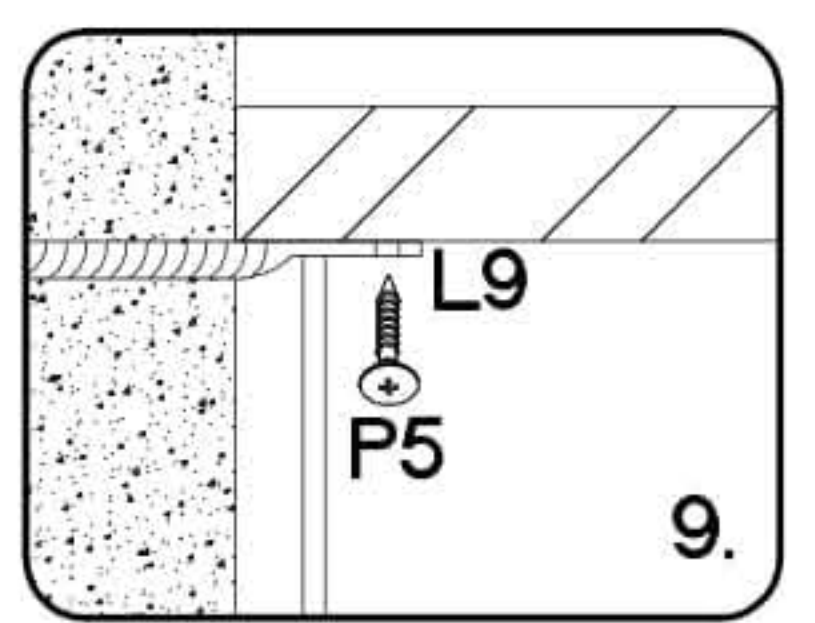
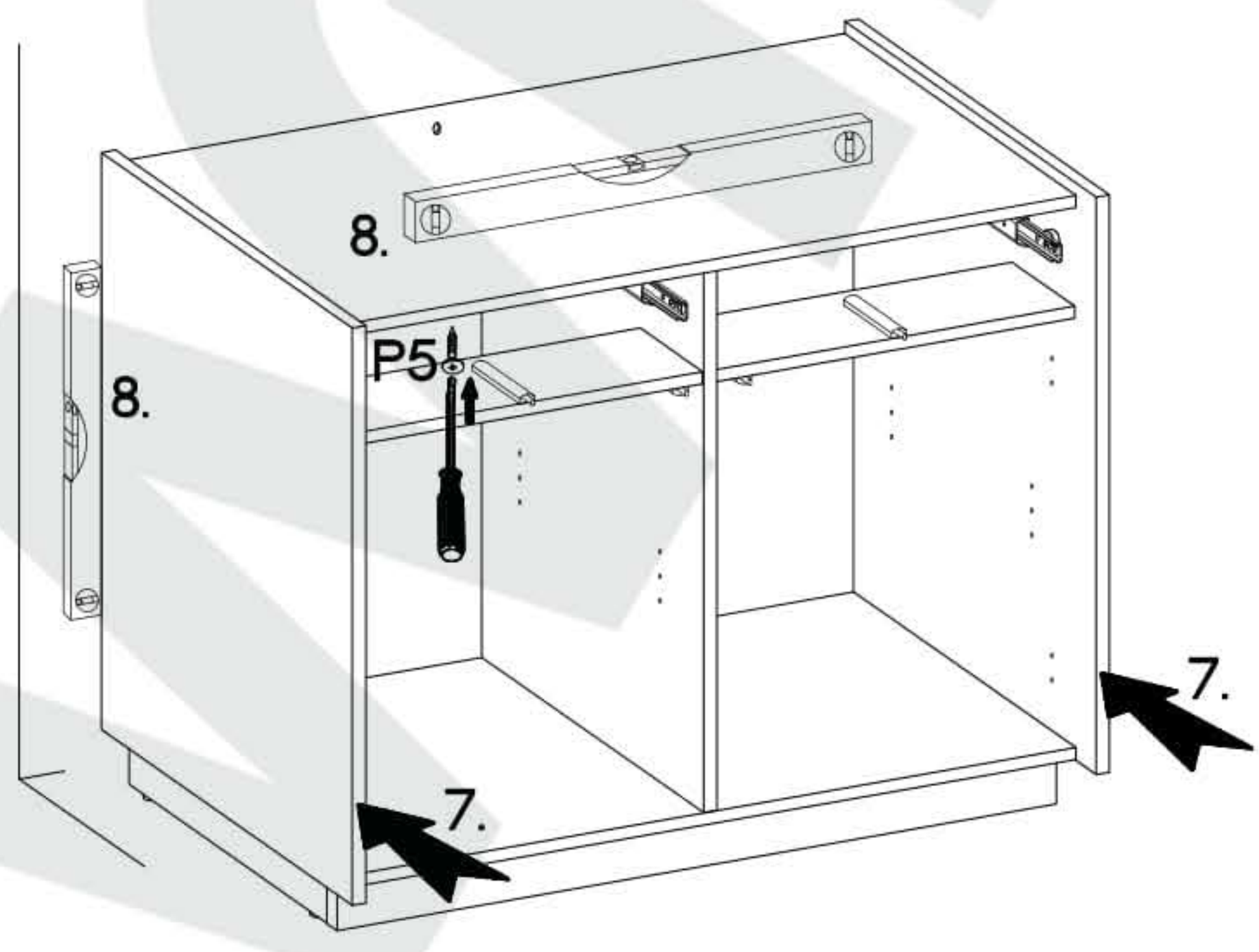
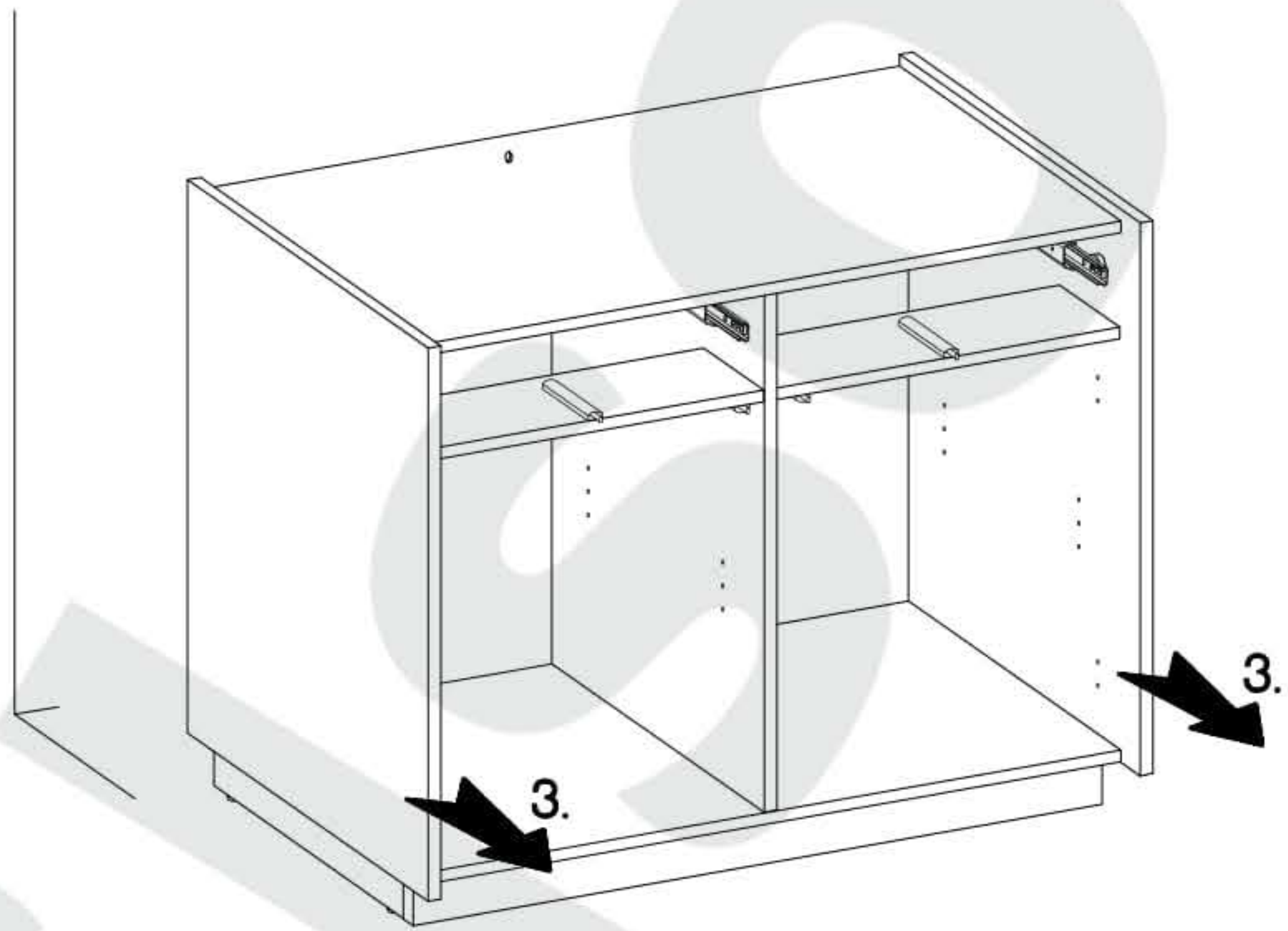
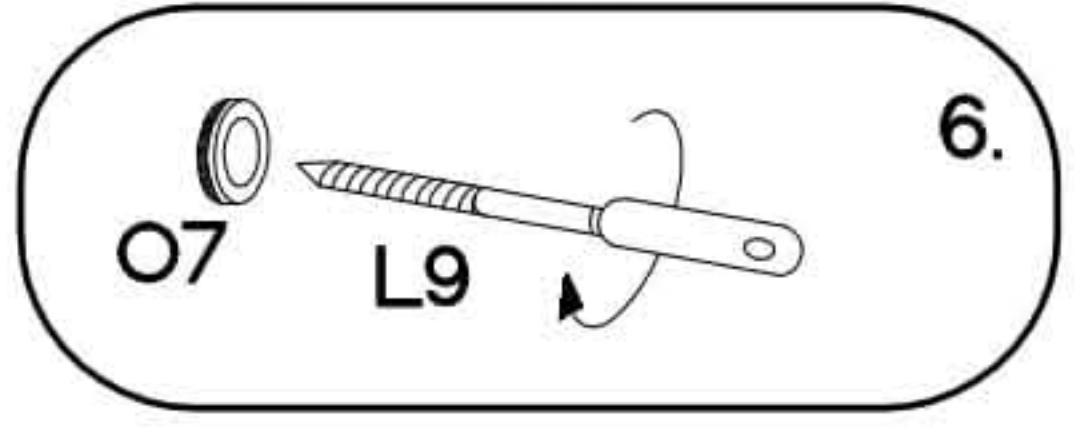
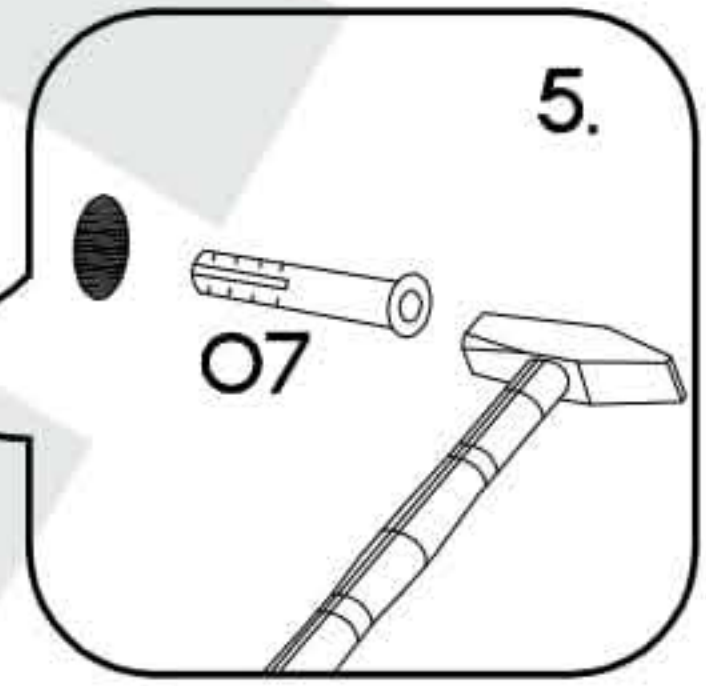
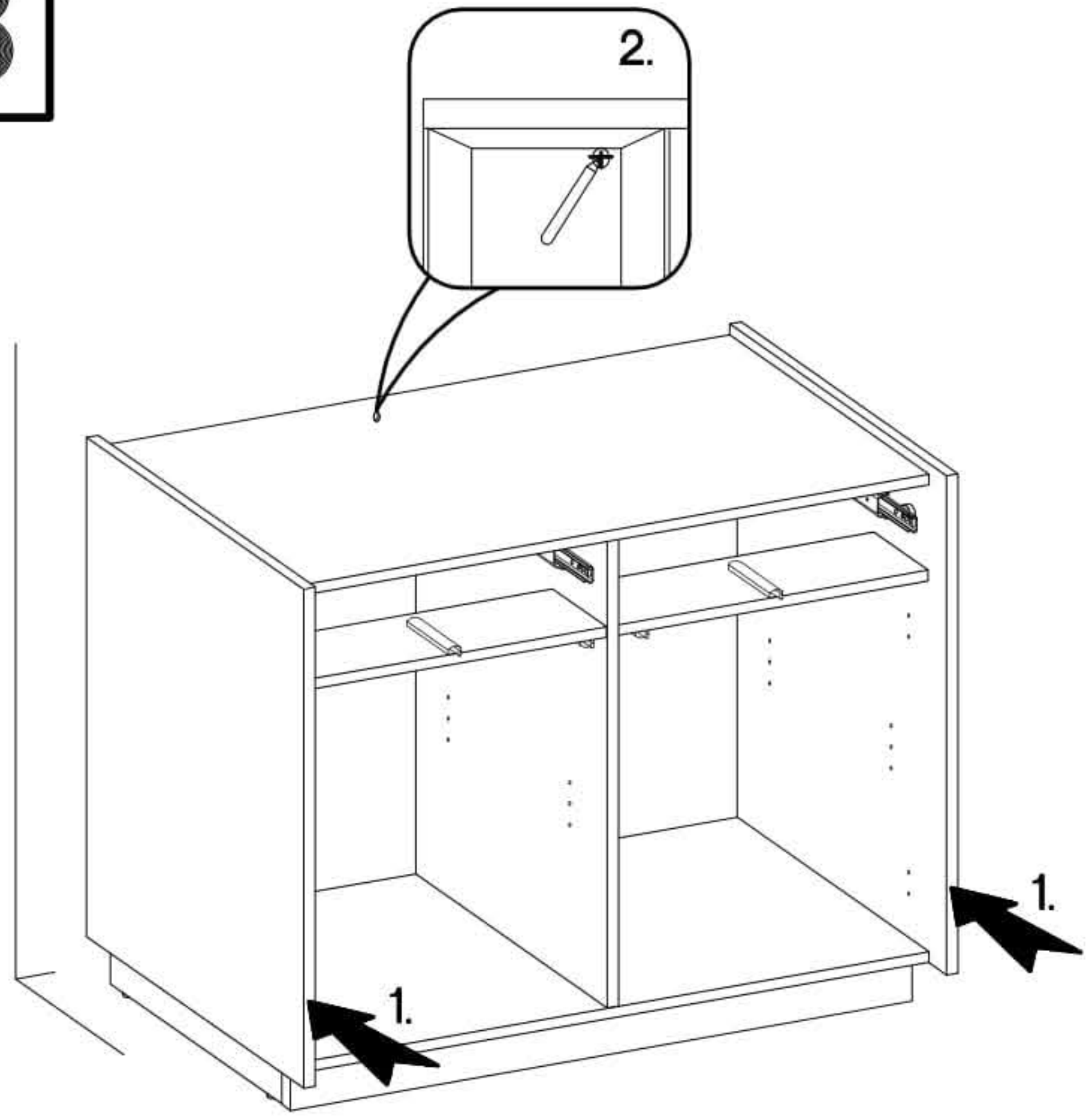
16

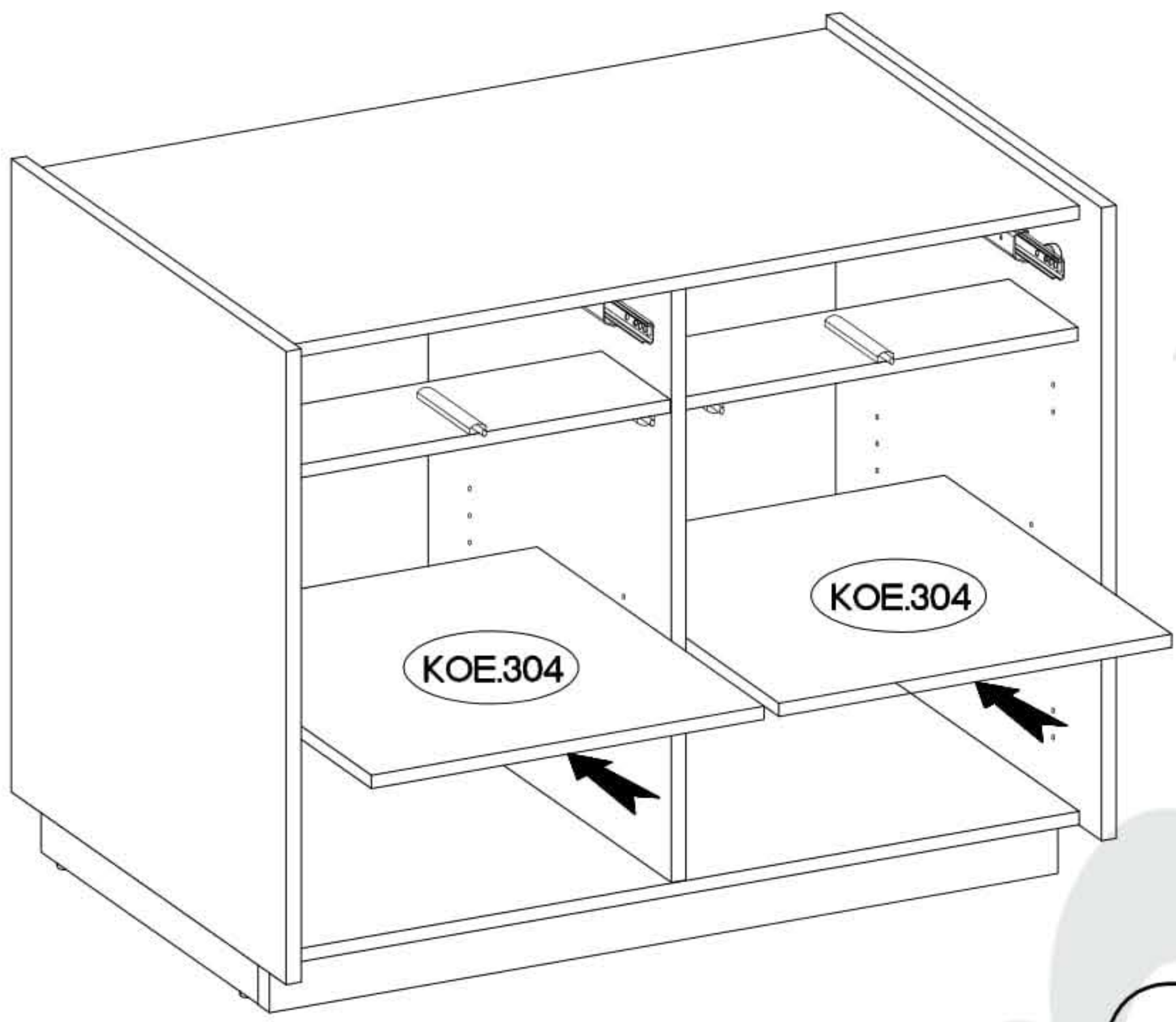




17

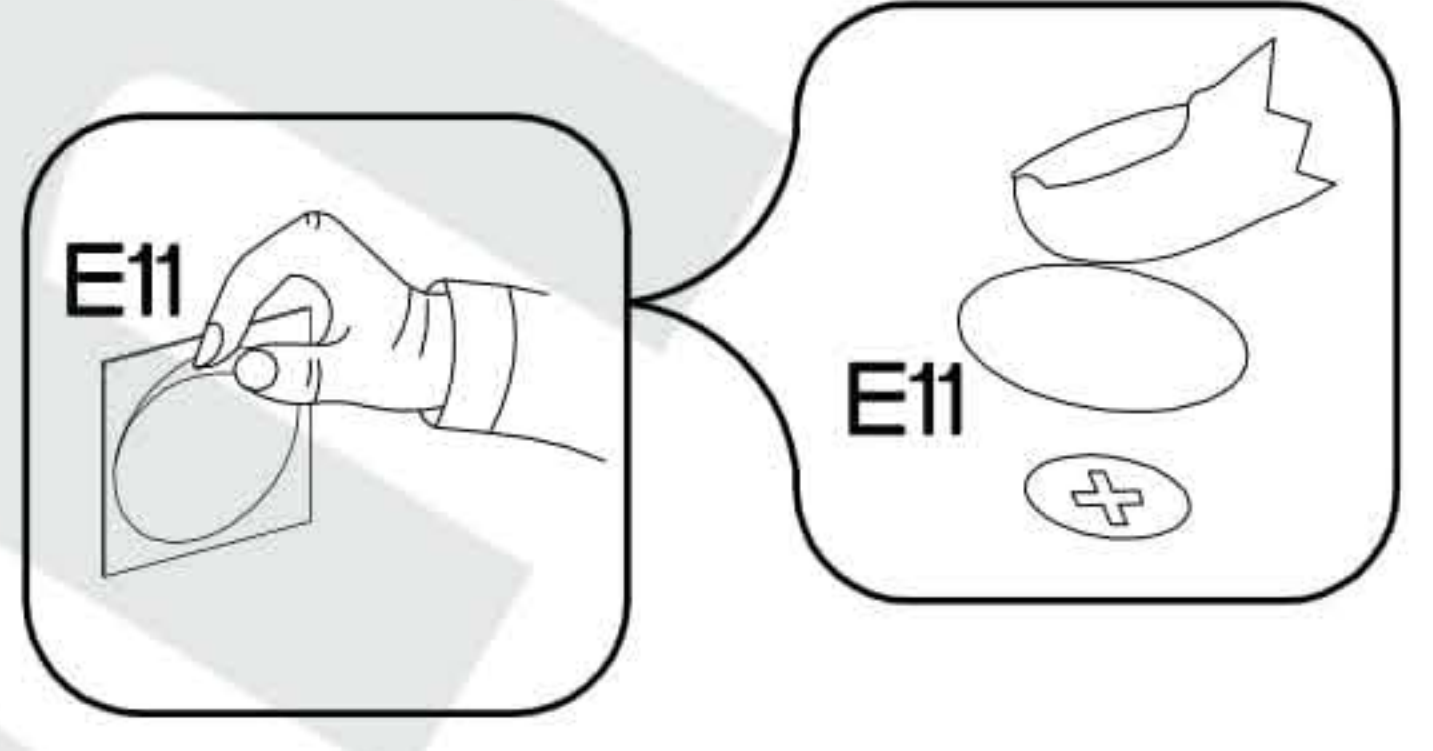
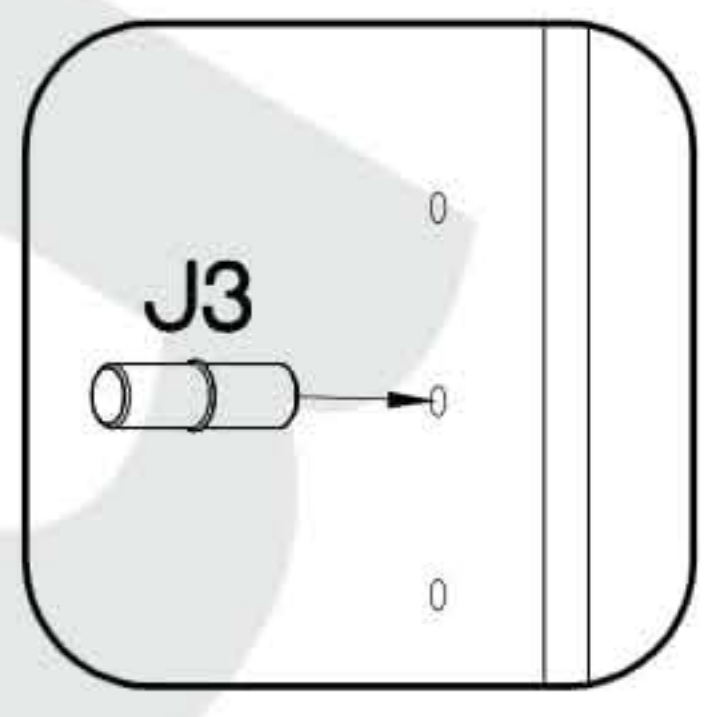


†10x50mm 		†3.5x13mm 
O7 1	L9 1	P5 1

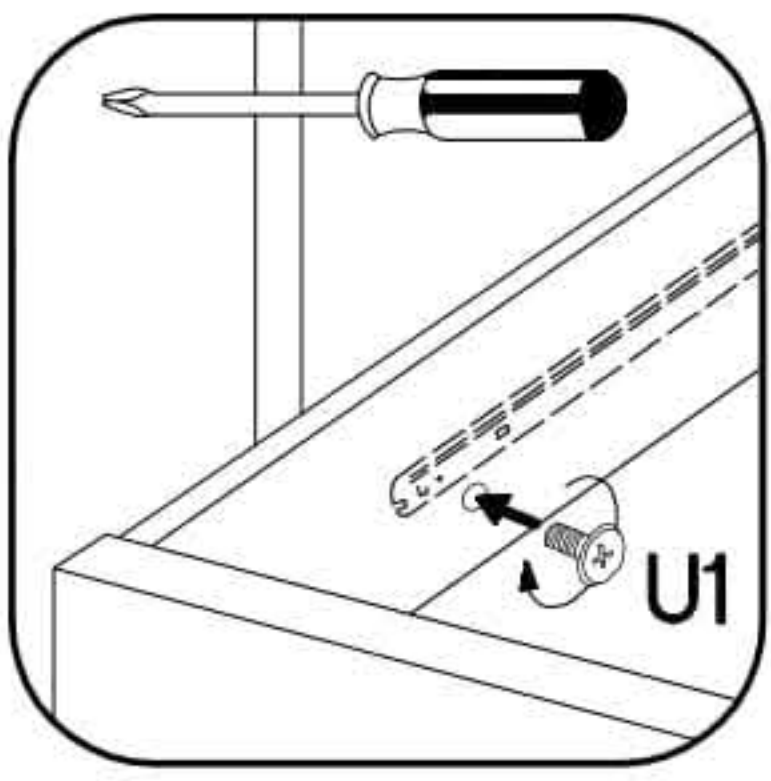
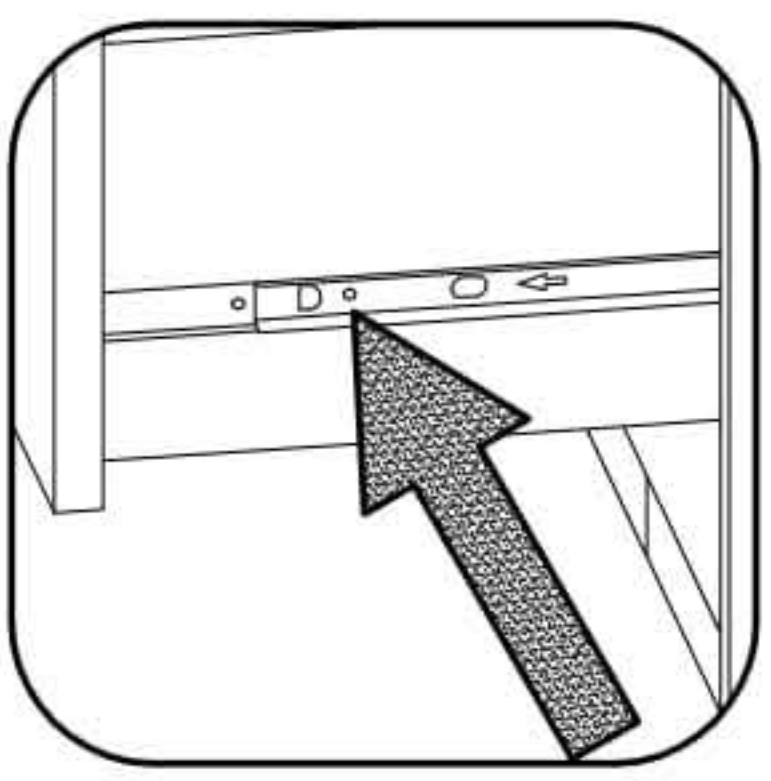
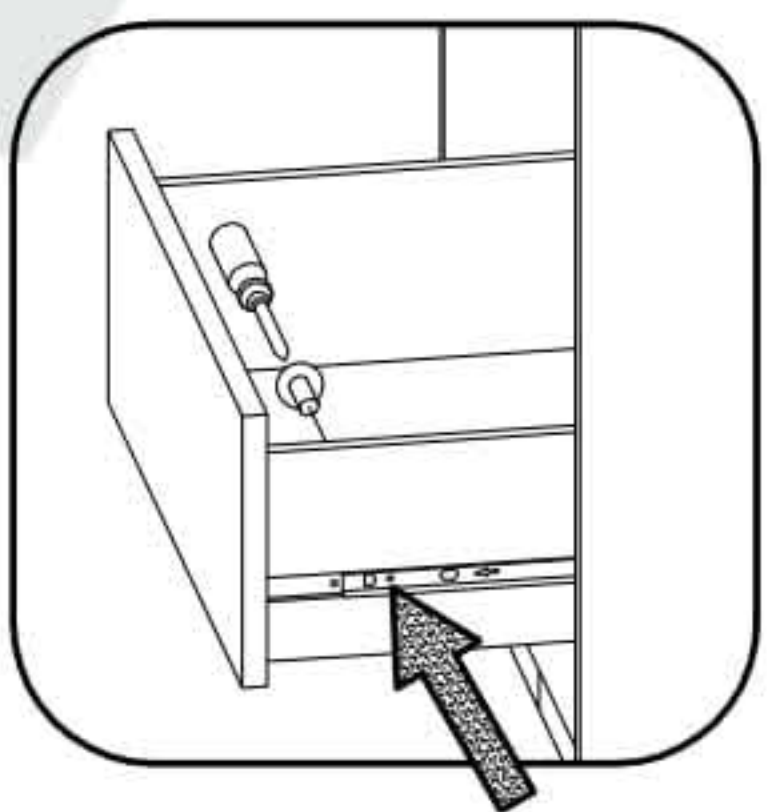
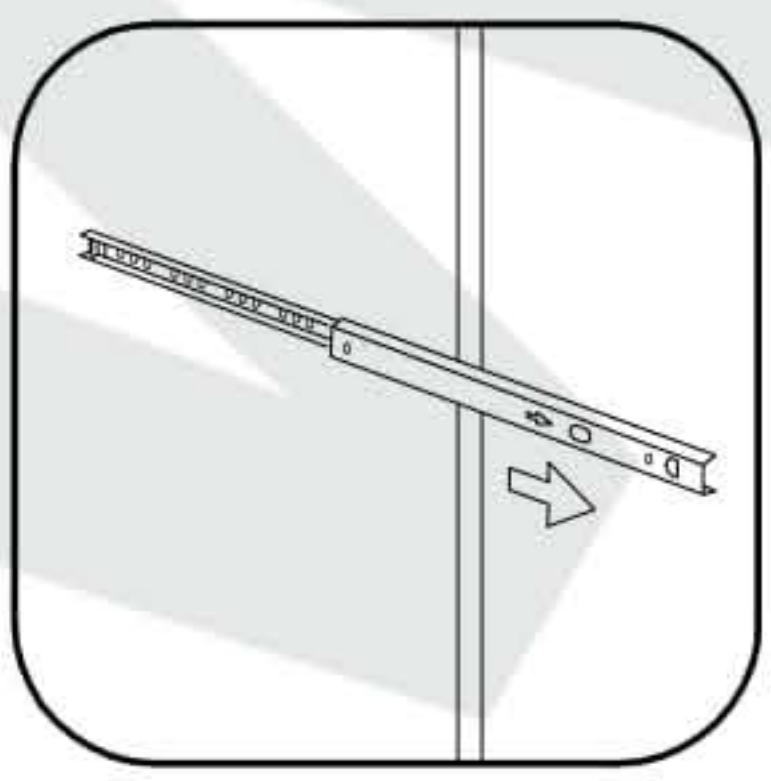
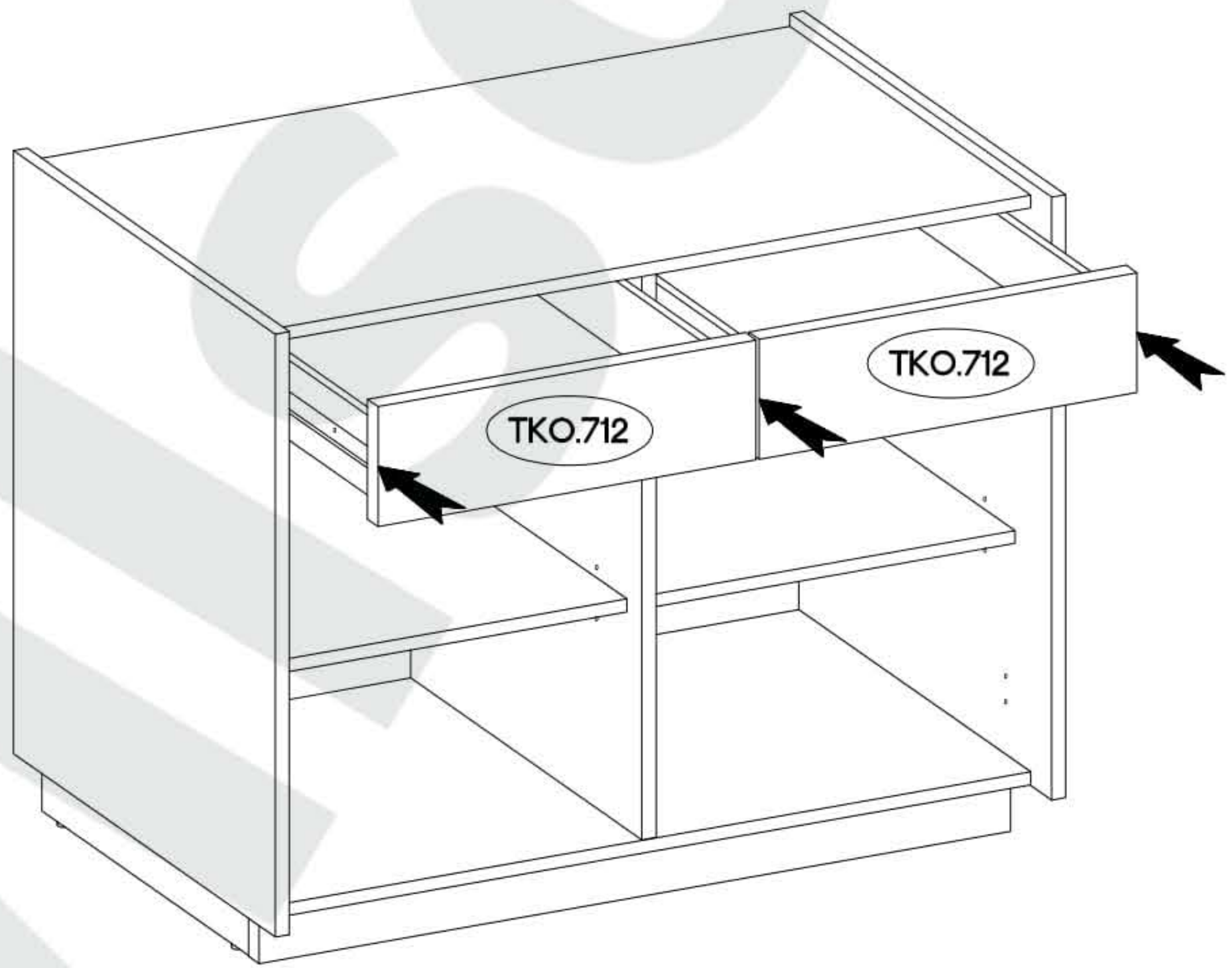




+5/16mm  J3 8	+20  E11 6
-----------------------------------------------------------------------------------------------------------	--------------------------------------------------------------------------------------------------------

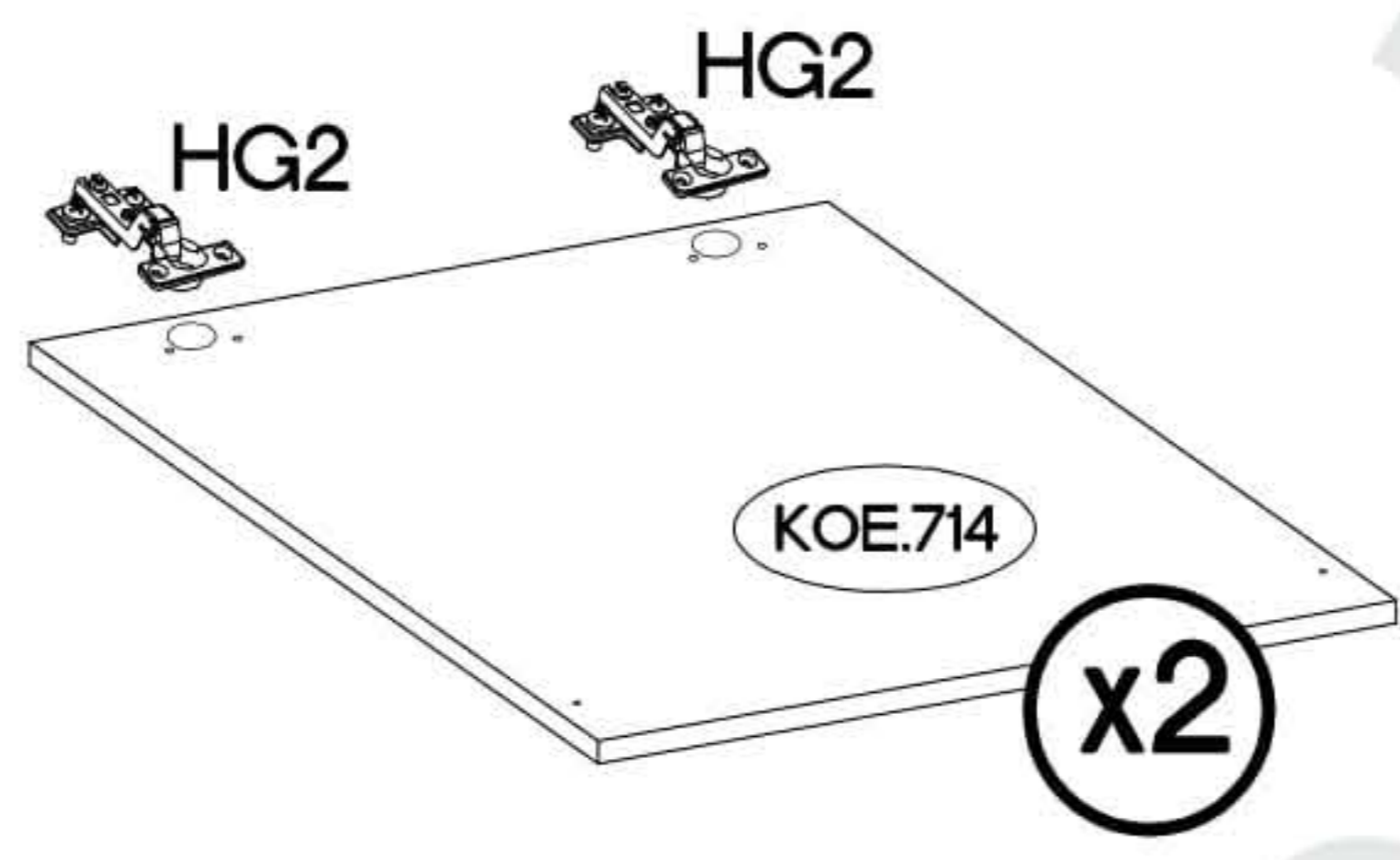
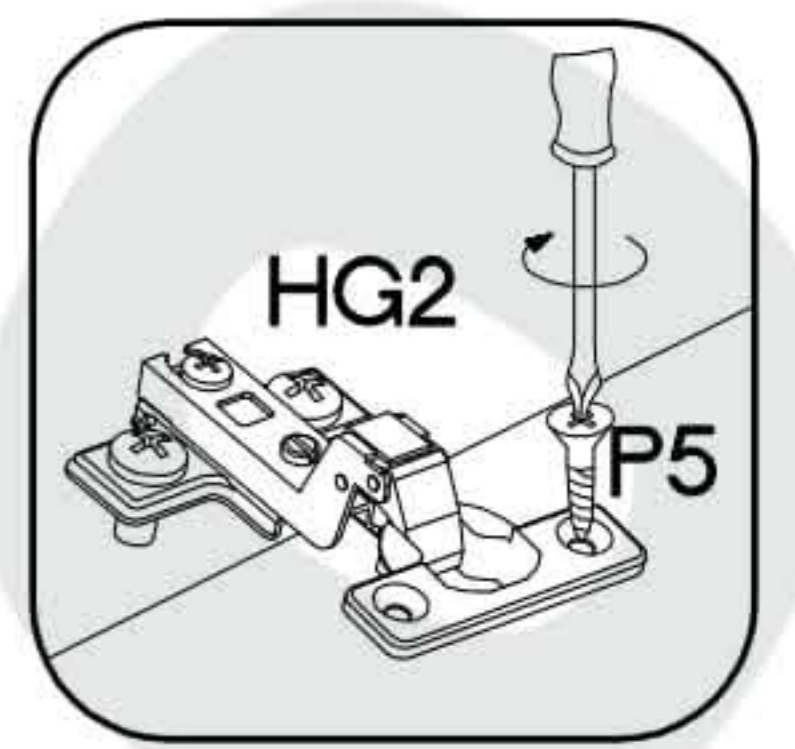


M4x9mm  U1 4



21

†35/16mm	†3.5x13mm
HG2	P5
4	8



22

	†20
L33	E11
2	2

