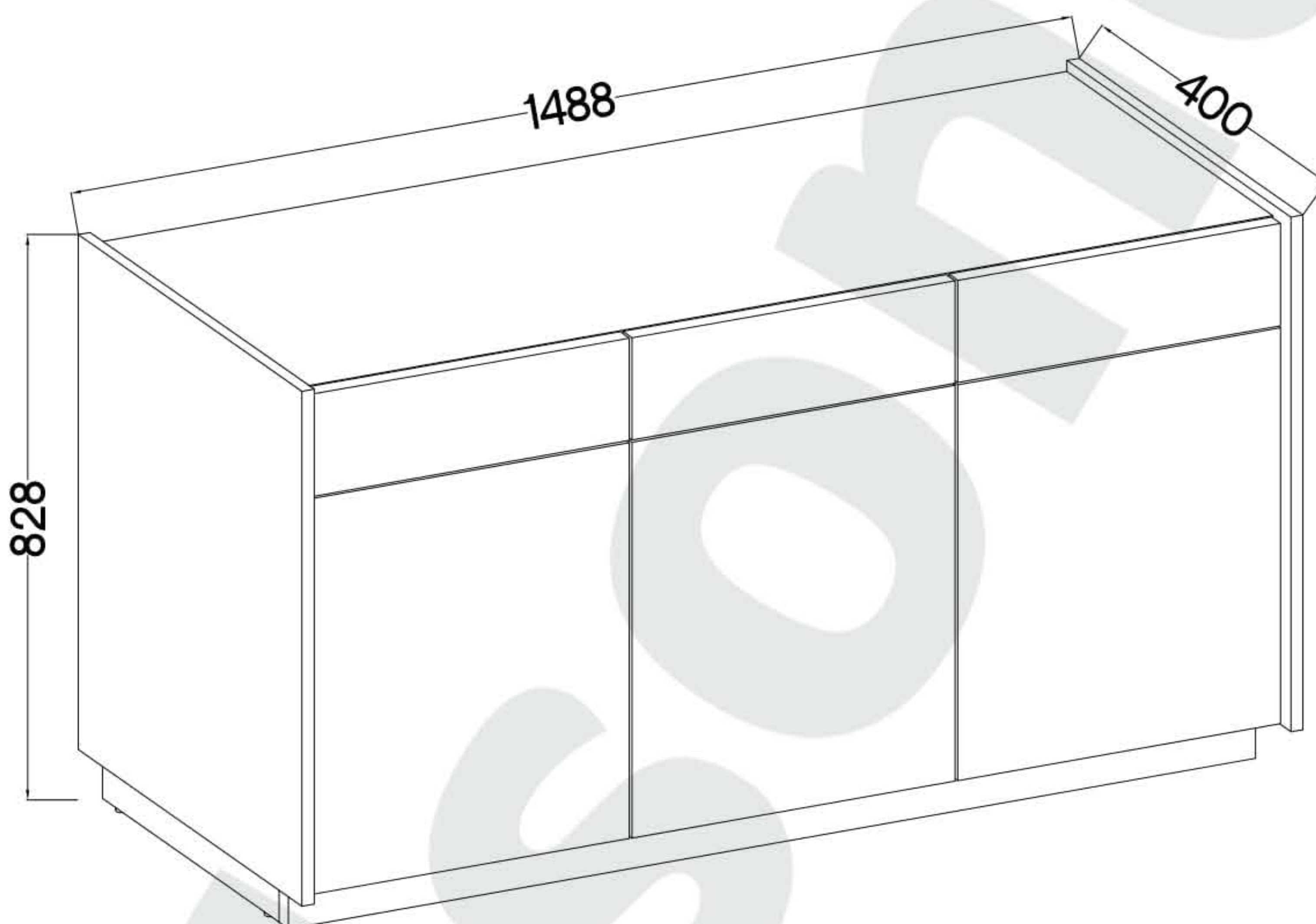


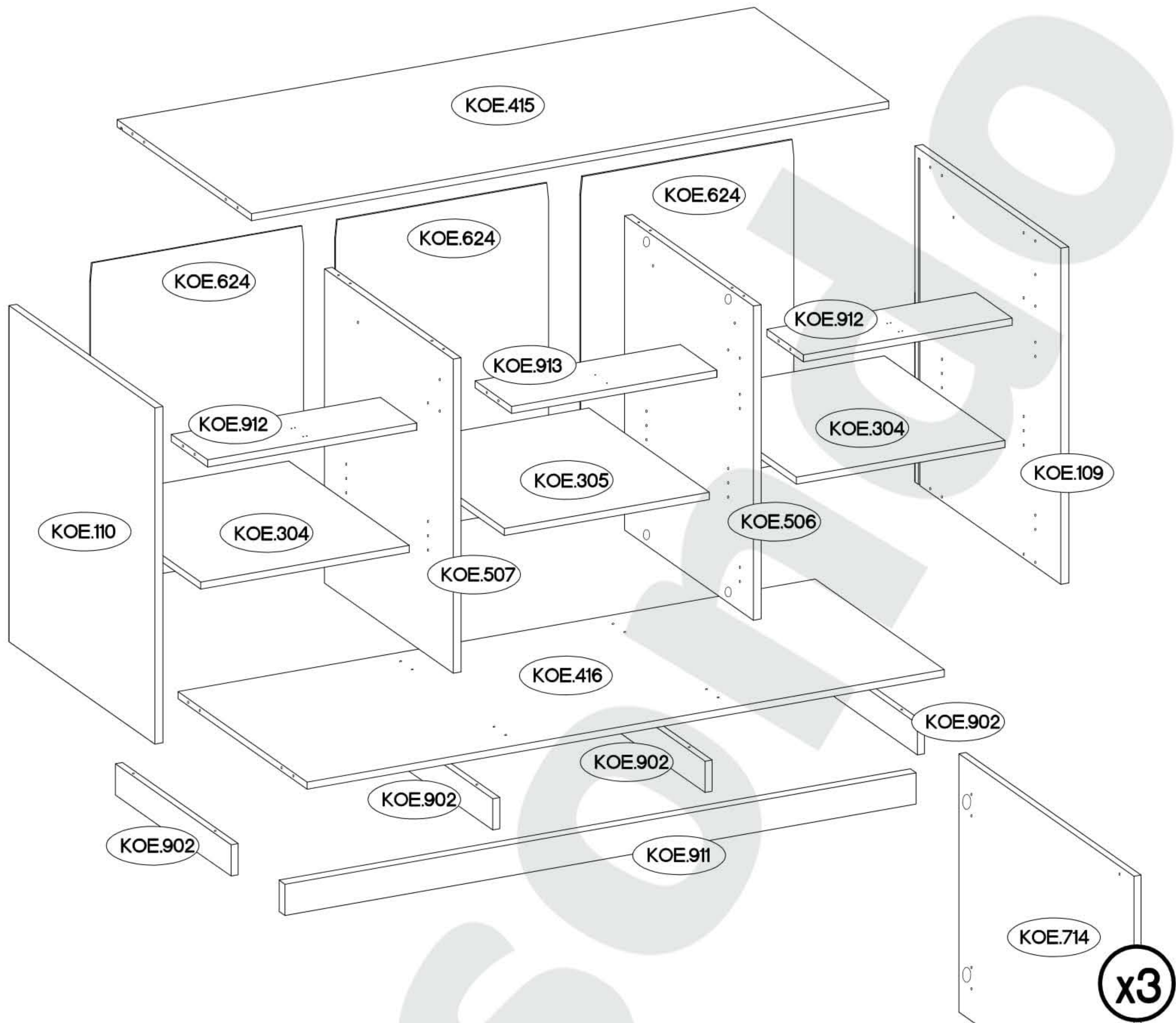
120 min

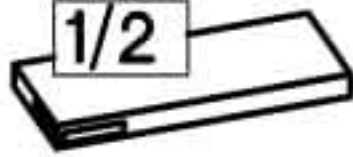

TYP 833

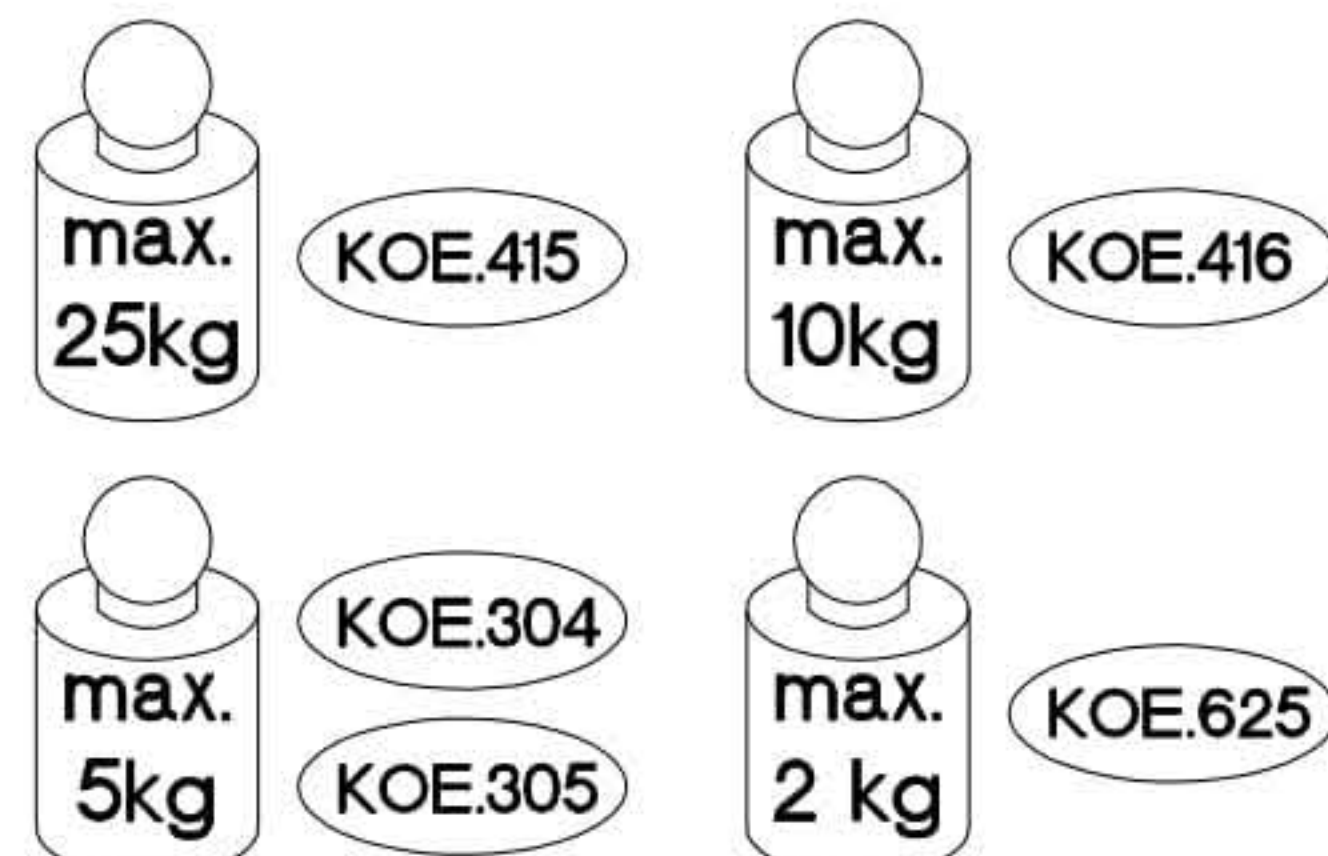
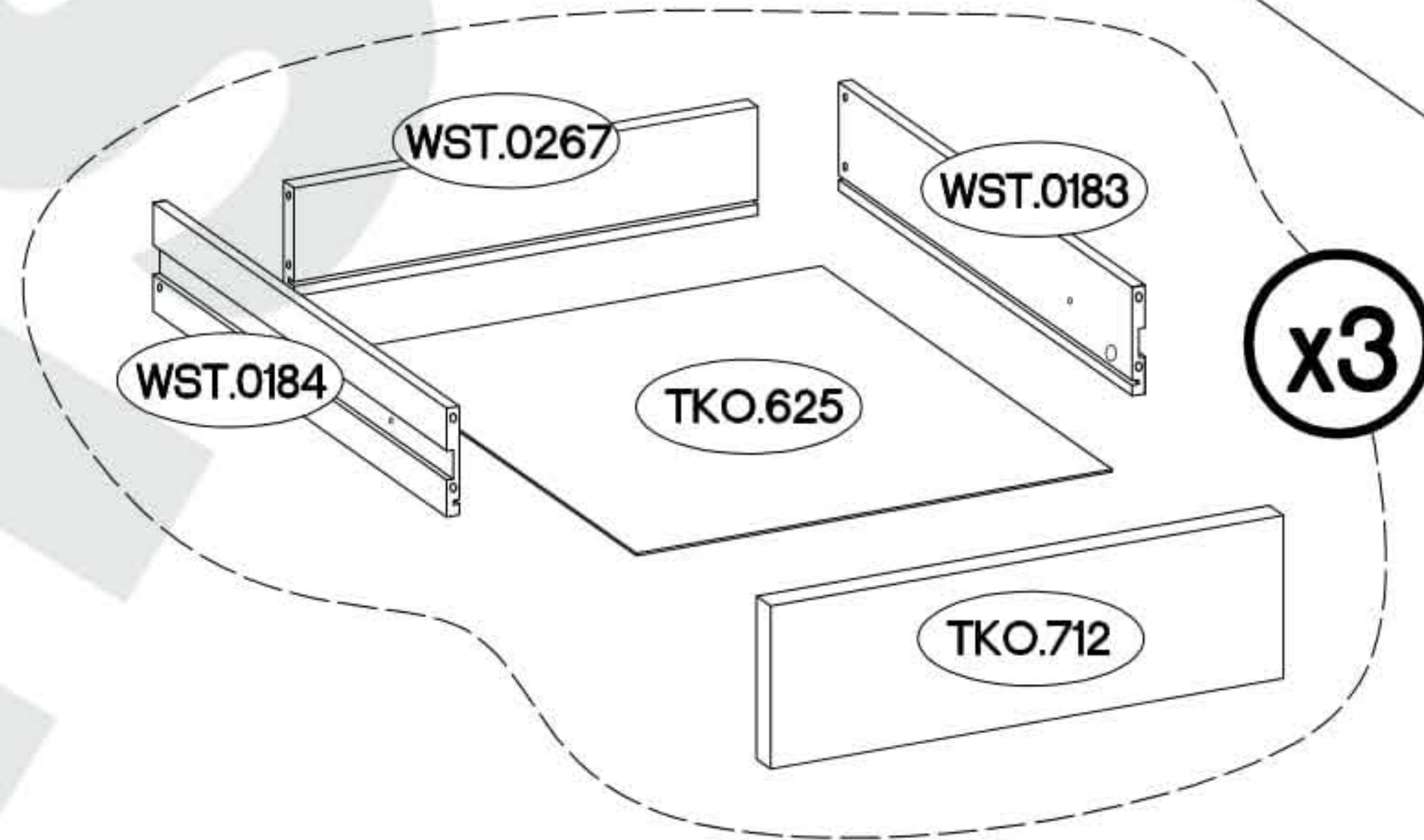


†8x30mm A 38	†8x60mm A2 2	†6x42mm B2 6	†15/12mm C 22	†12/10mm C5 6	L=20mm D2 24																	
L=56mm D4 2	†20 E11 13	†15x5mm F4 8	†35/16mm HG2 4	†35/9mm HG1 2	27/310mm I4 3	†5/16mm J3 12	†20/8mm J14 4	 L 18	 L2 14	 L9 1												
 L33 6	†6,3x13mm M2 8	†6,3x20mm M3 4	 O1 1	†10x50mm O7 1	†4,0x16mm P1 12	†3,5x13mm P5 25	†3,0x20mm P7 30	 T3 6	 U1 6													


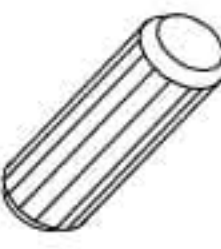
ISM-KOE-009

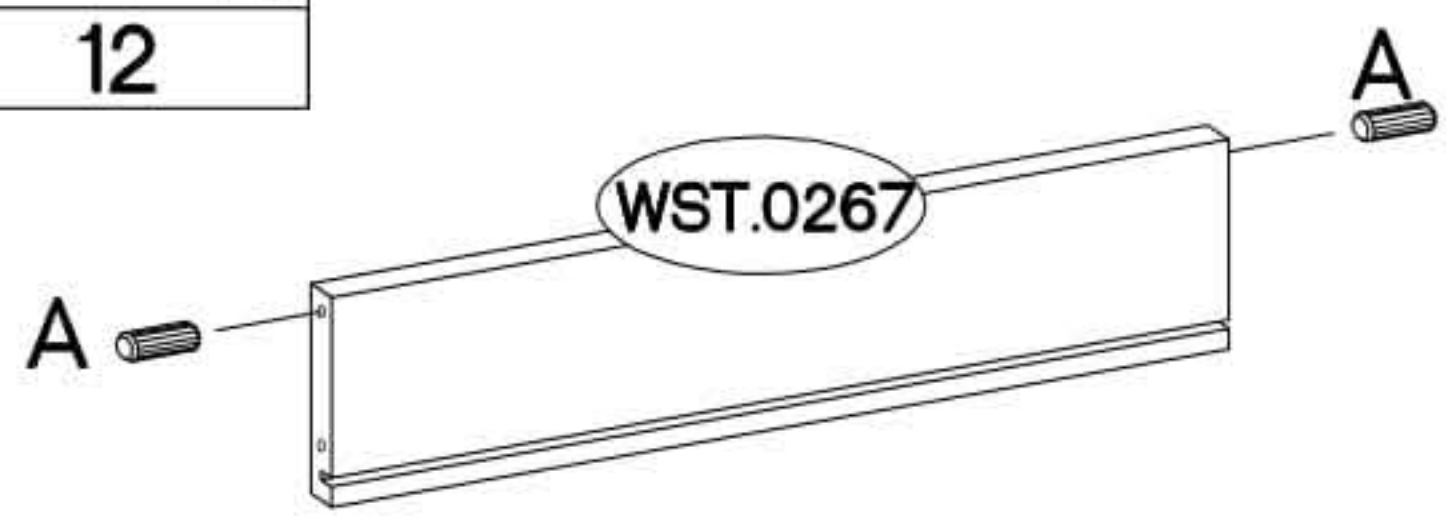


	Ersatzteil Nummer	Dimension
	KOE.902 x4	317x70x16
	KOE.304 x2	475x330x16
	KOE.305	467x330x16
	KOE.624 x3	724x485,5x2,5
	KOE.625 x3	445x327x2,5
	WST.0267 x3	434x100x12
	KOE.712 x3	480x150x16
	KOE.714 x3	480x580x16
	KOE.109	754x400x18
	KOE.110	754x400x18
	KOE.506	705x353x16
	KOE.507	705x353x16
	KOE.415	1452x368x16
	KOE.416	1452x354x16
	KOE.912 x2	476x100x16
	KOE.913	468x100x16
	KOE.911	1438x70x16
	WST.0183 x3	330x100x12
WST.0184 x3	330x100x12	

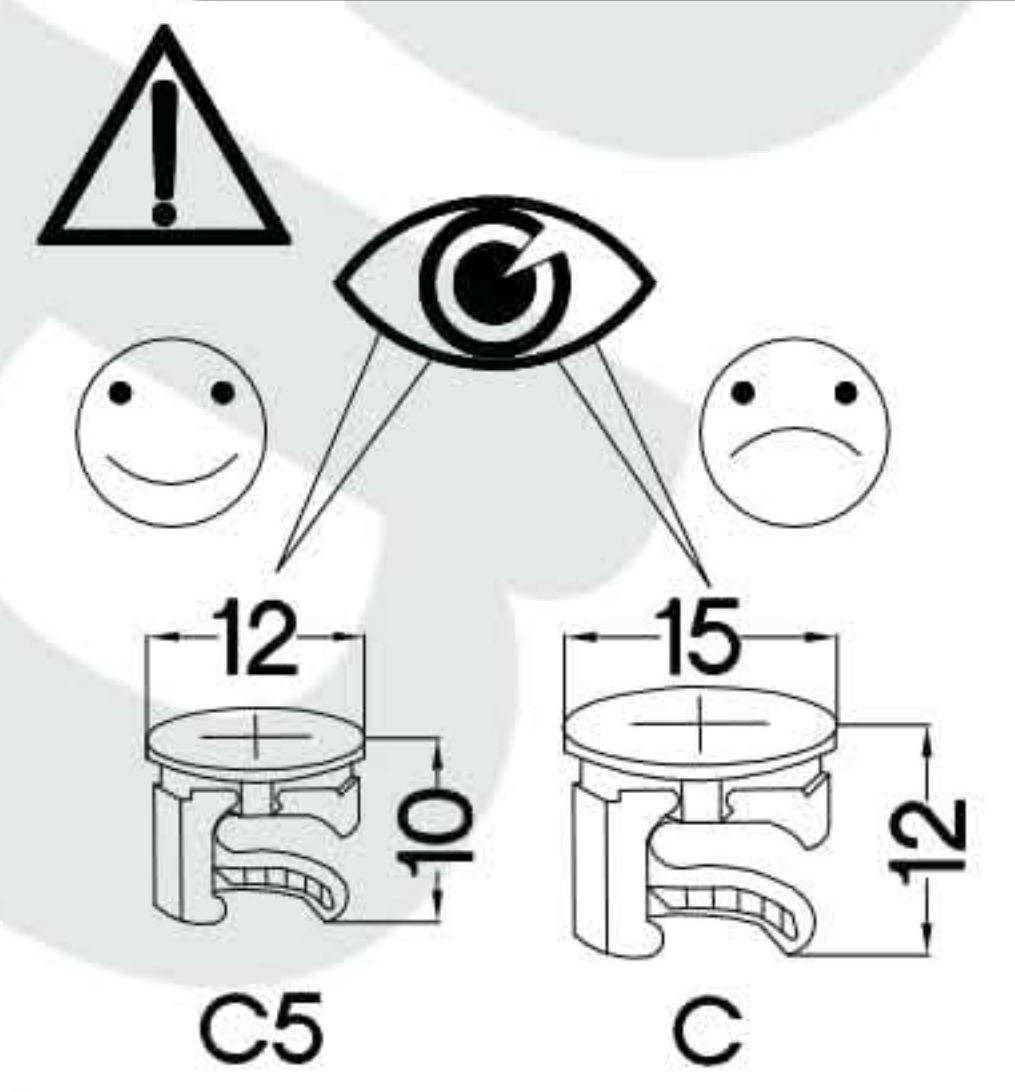
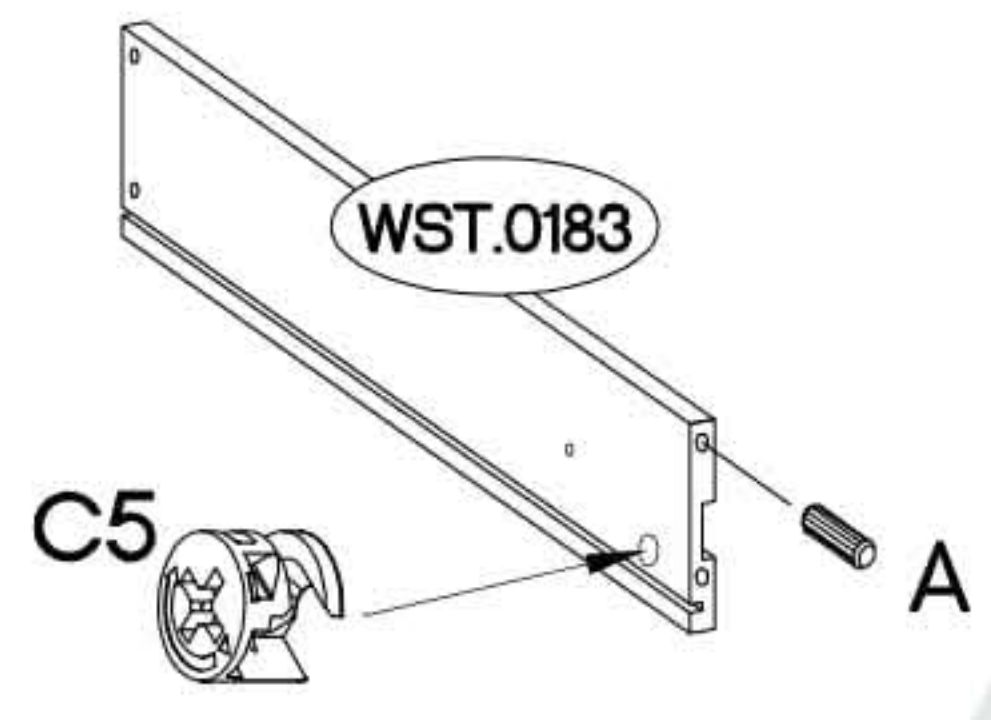
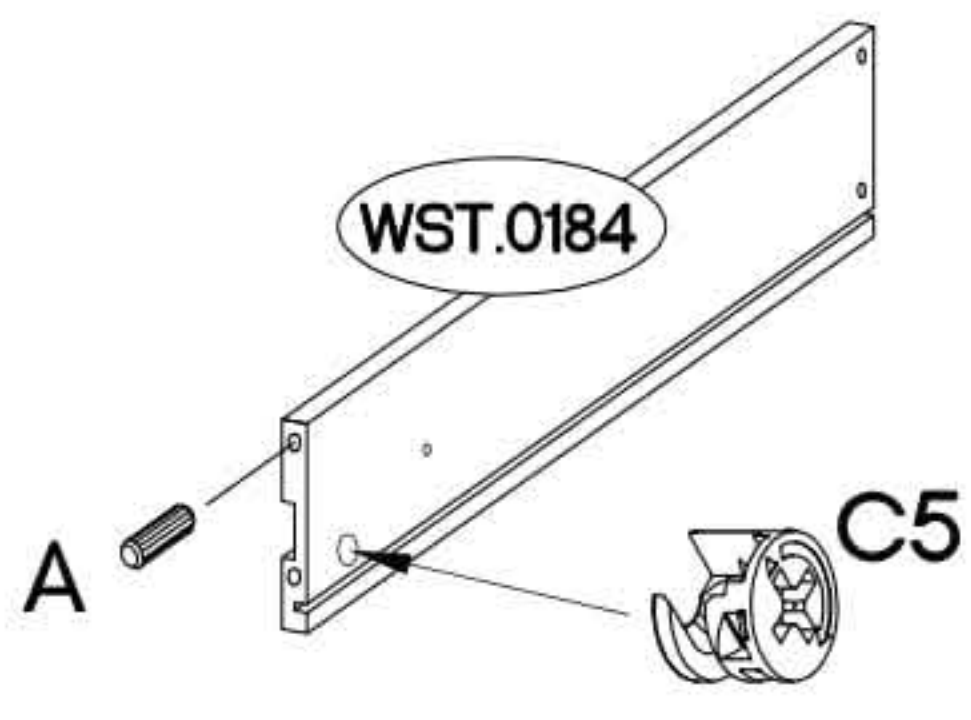
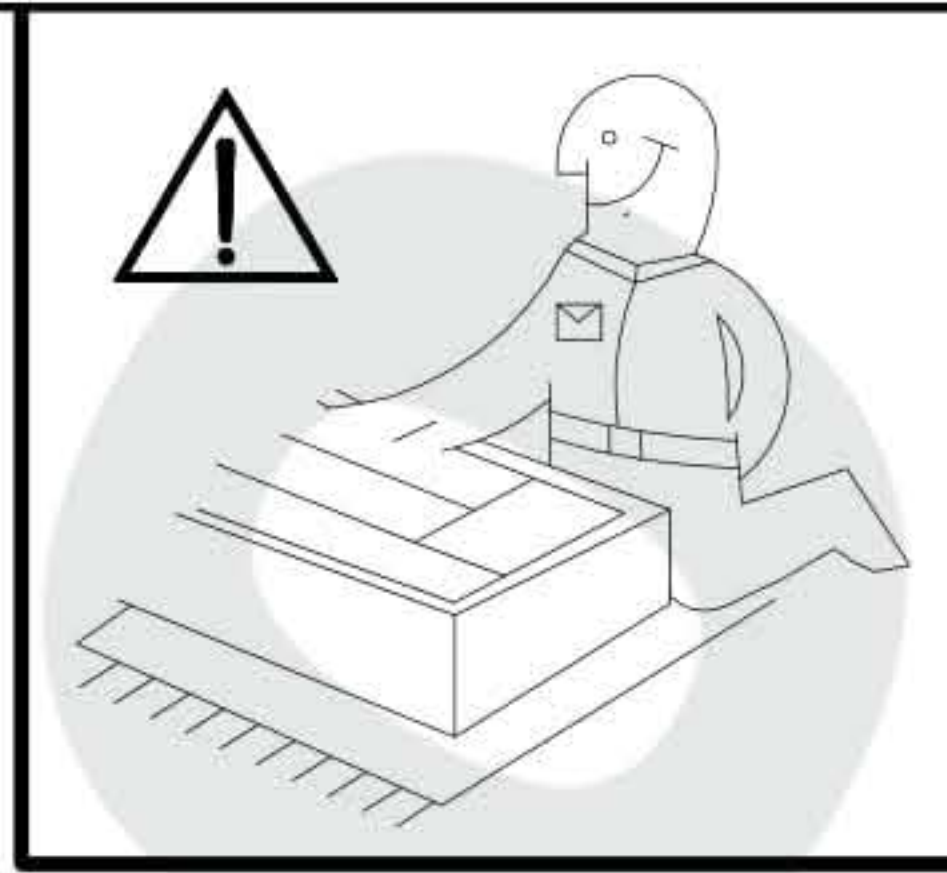


1

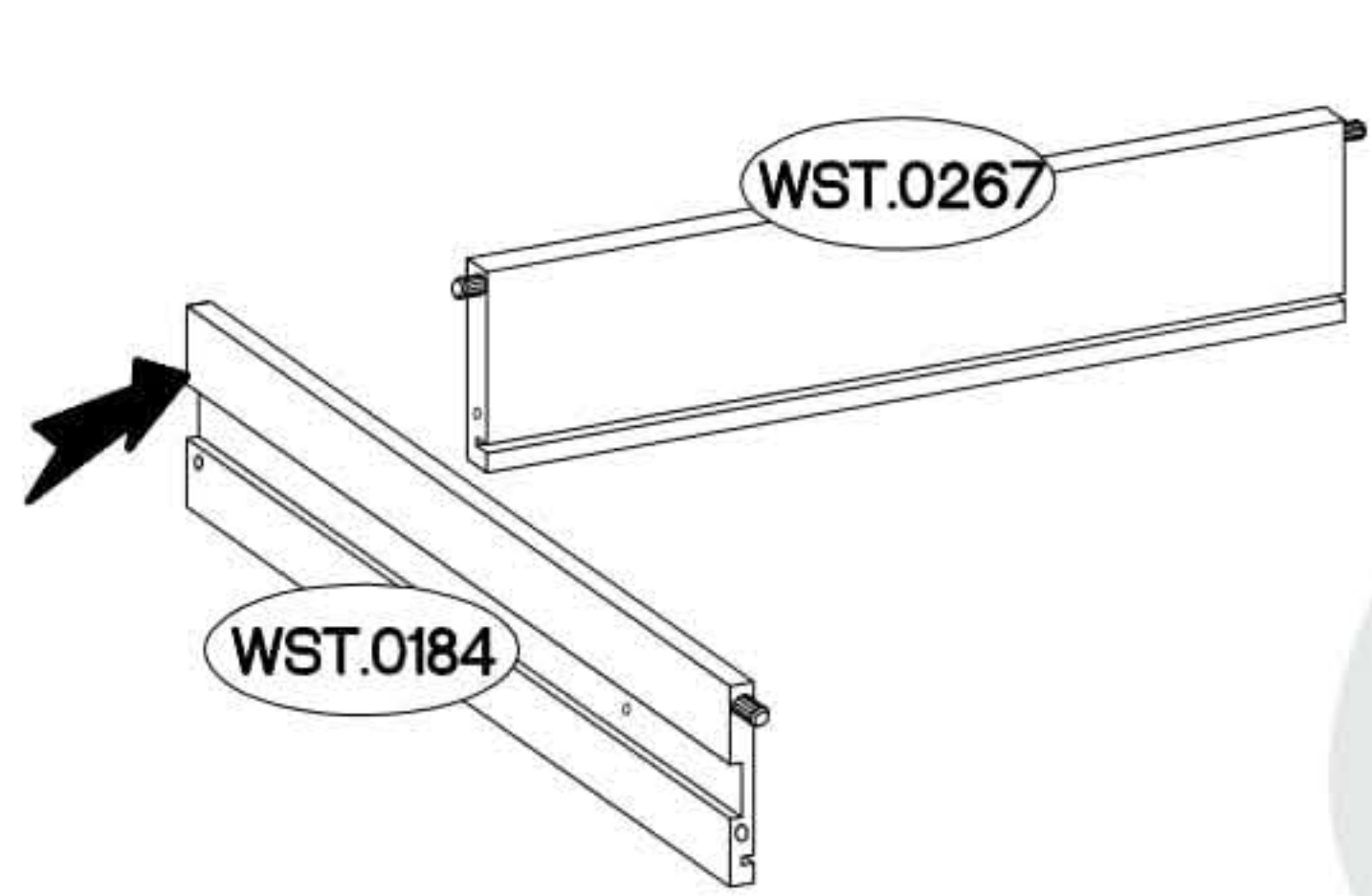
†12/10mm  C5 6	†8x30mm  A 12
--	---




x3

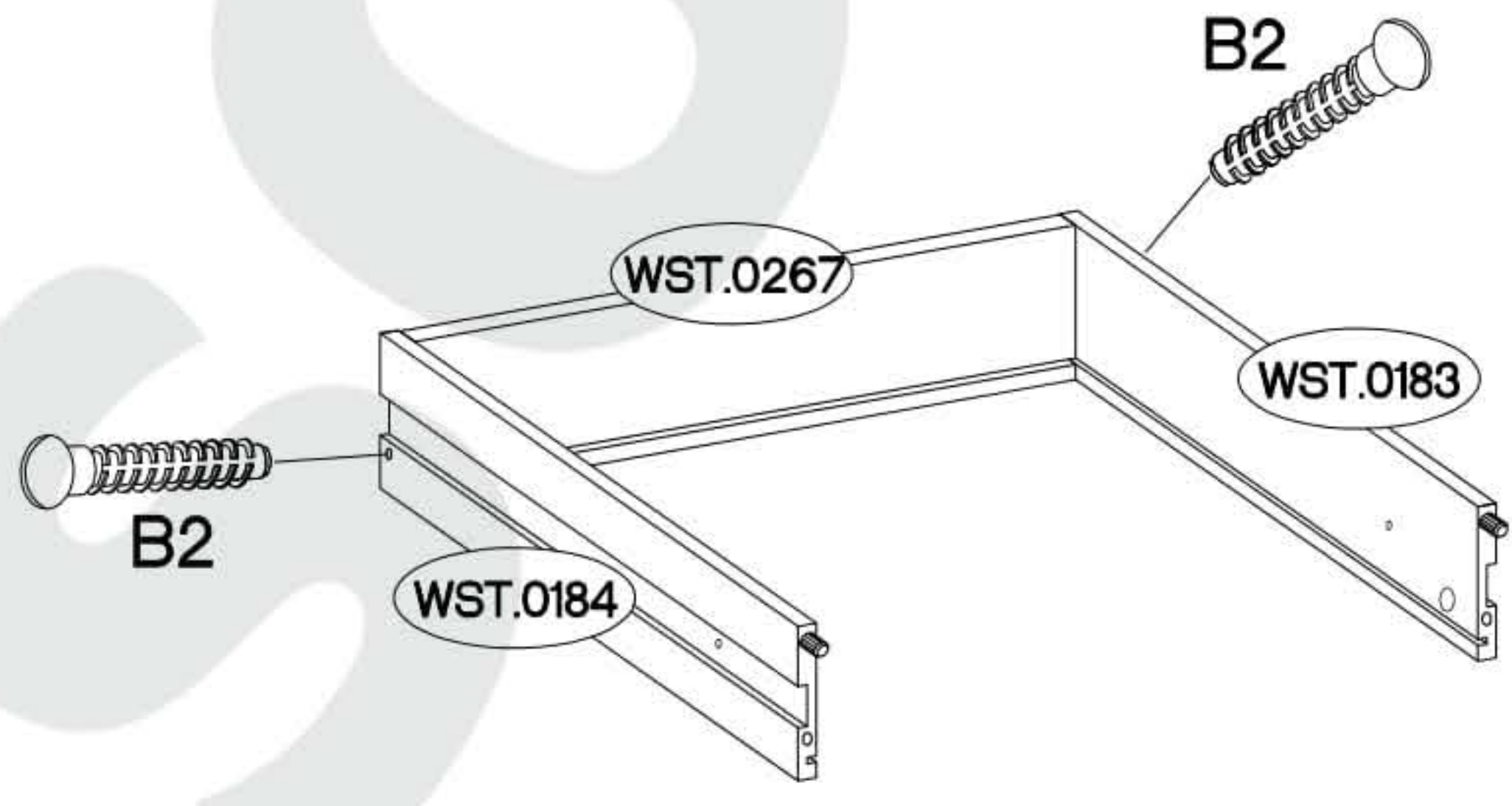
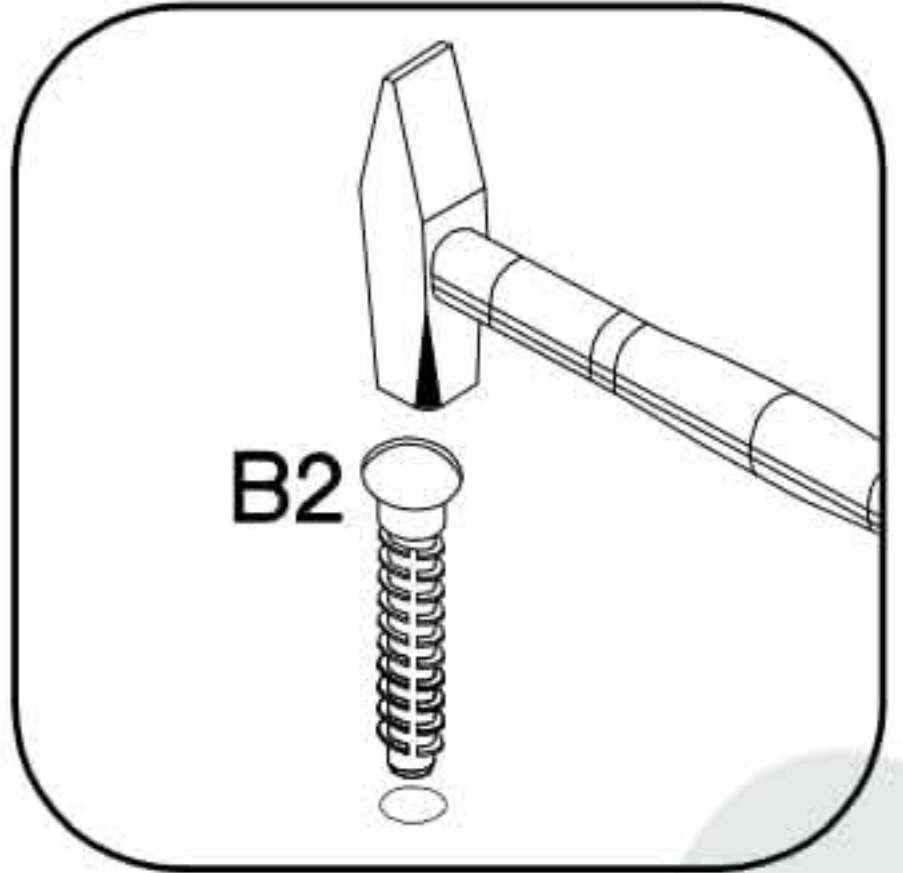


2


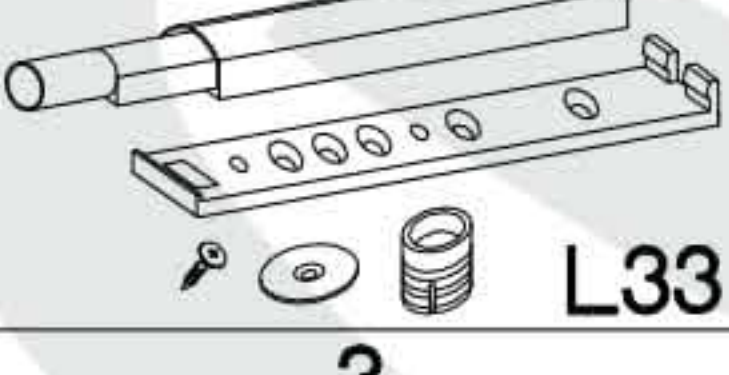


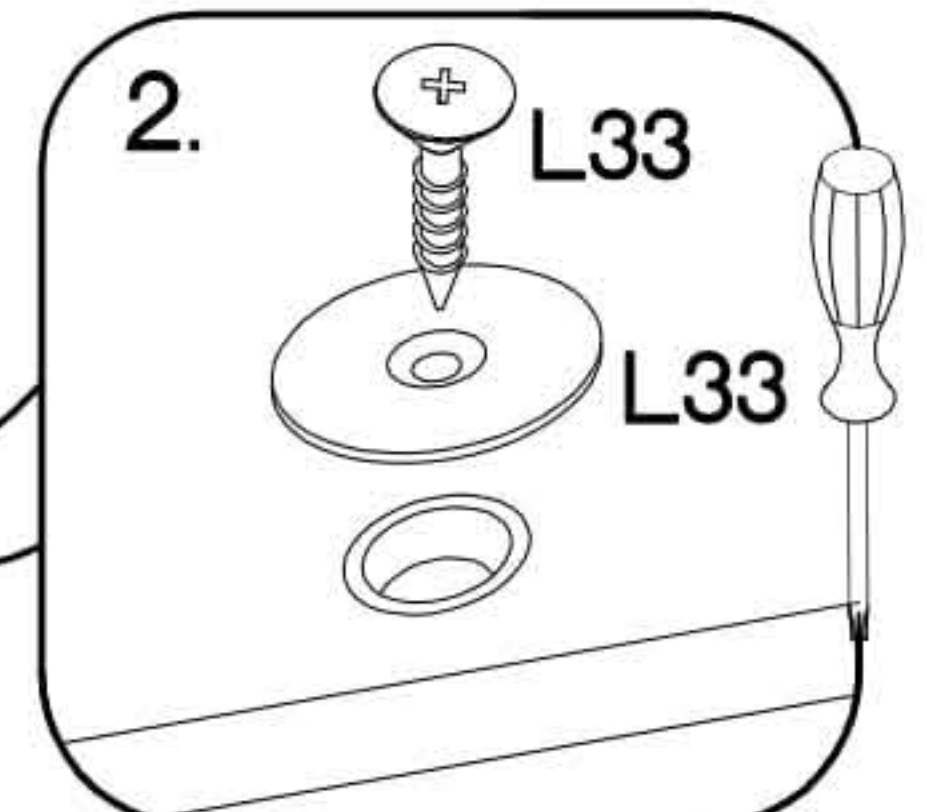
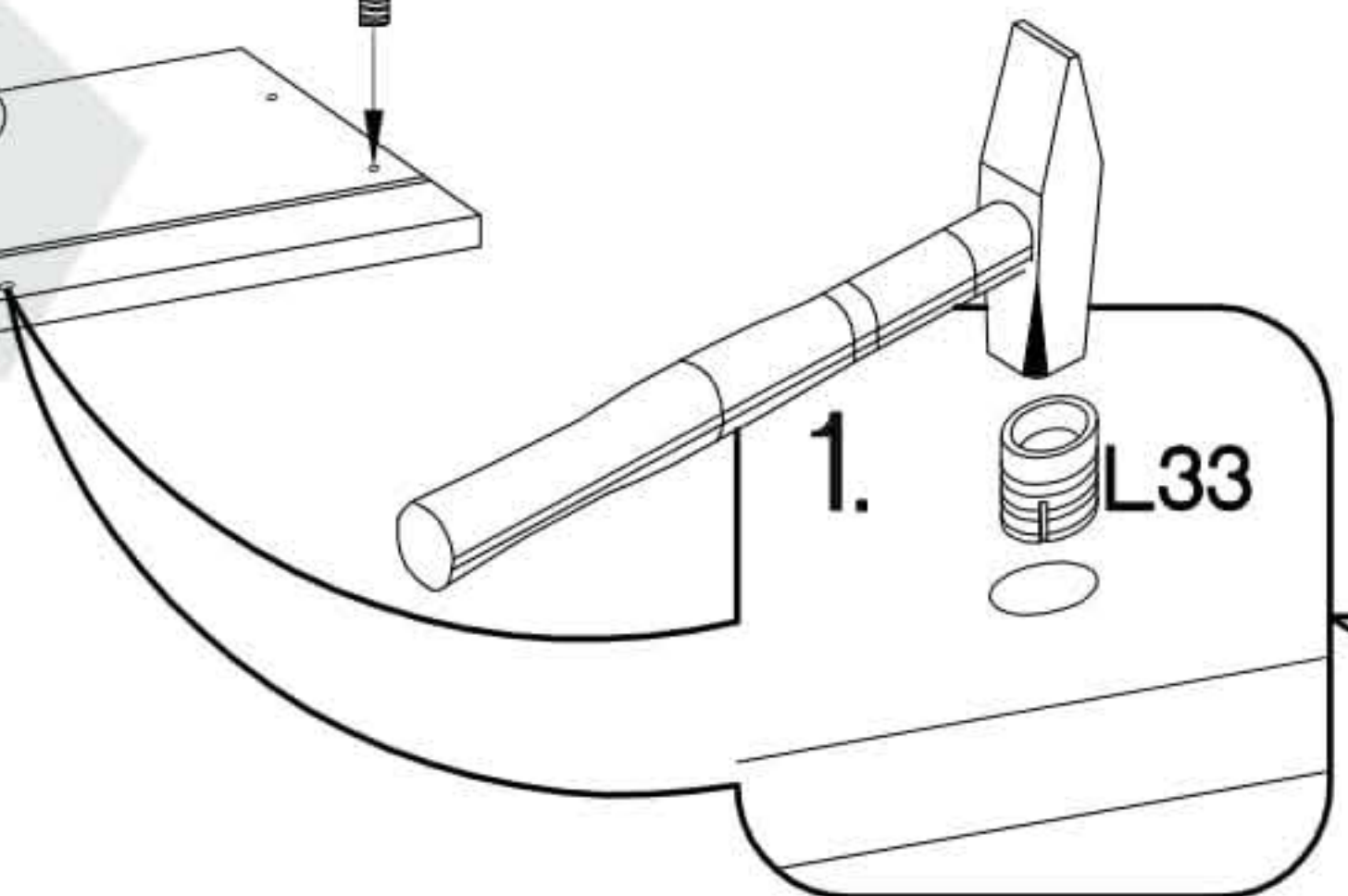
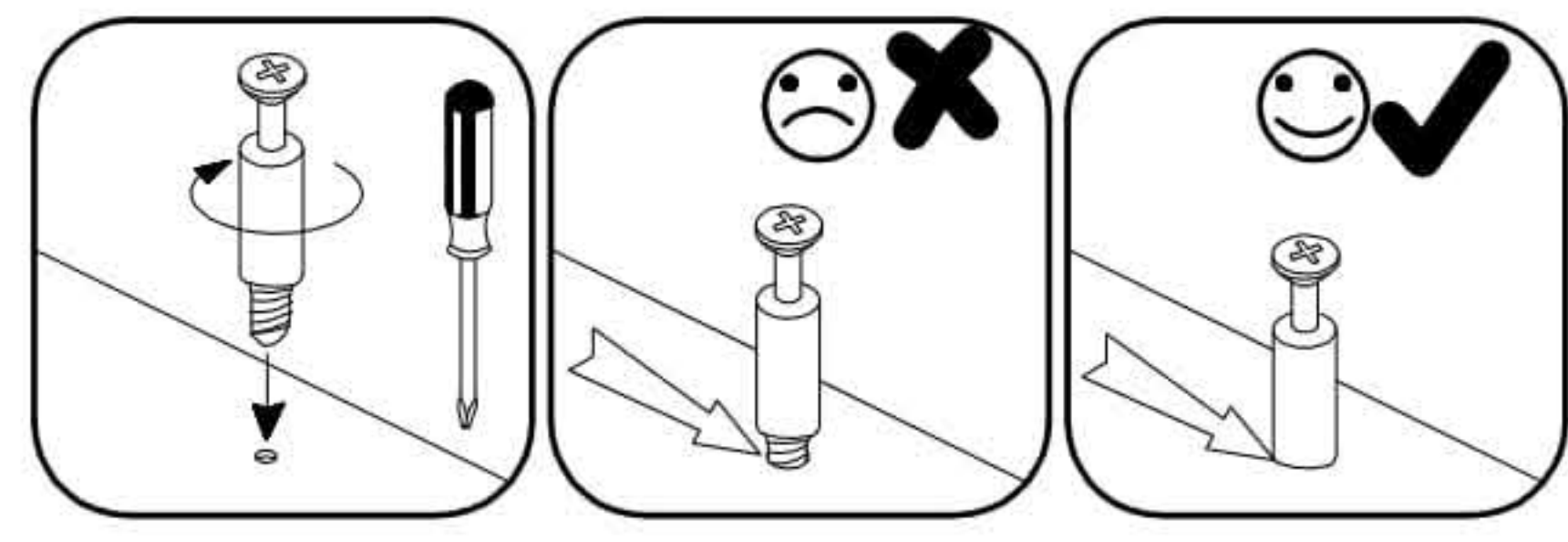
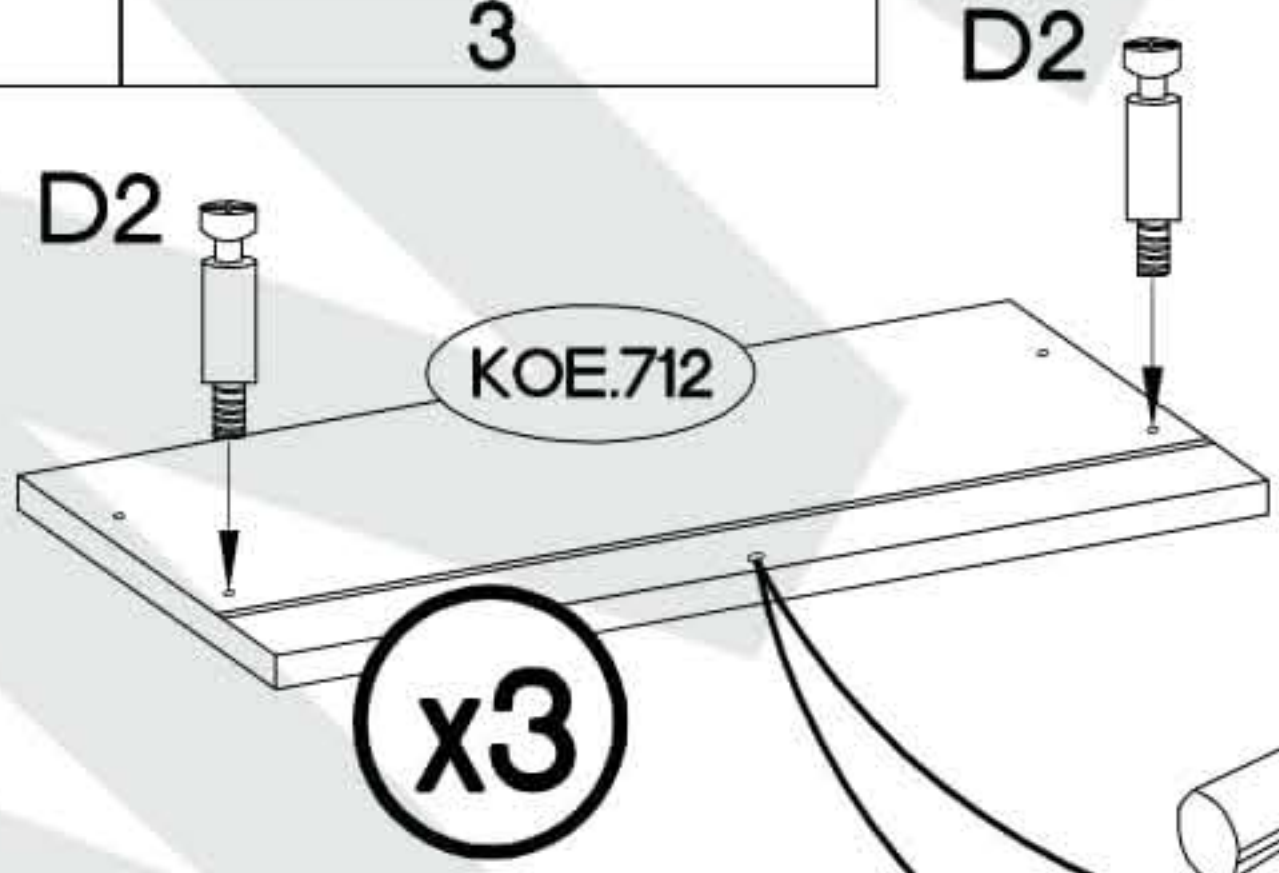
x3

†6x42mm  B2 6
--

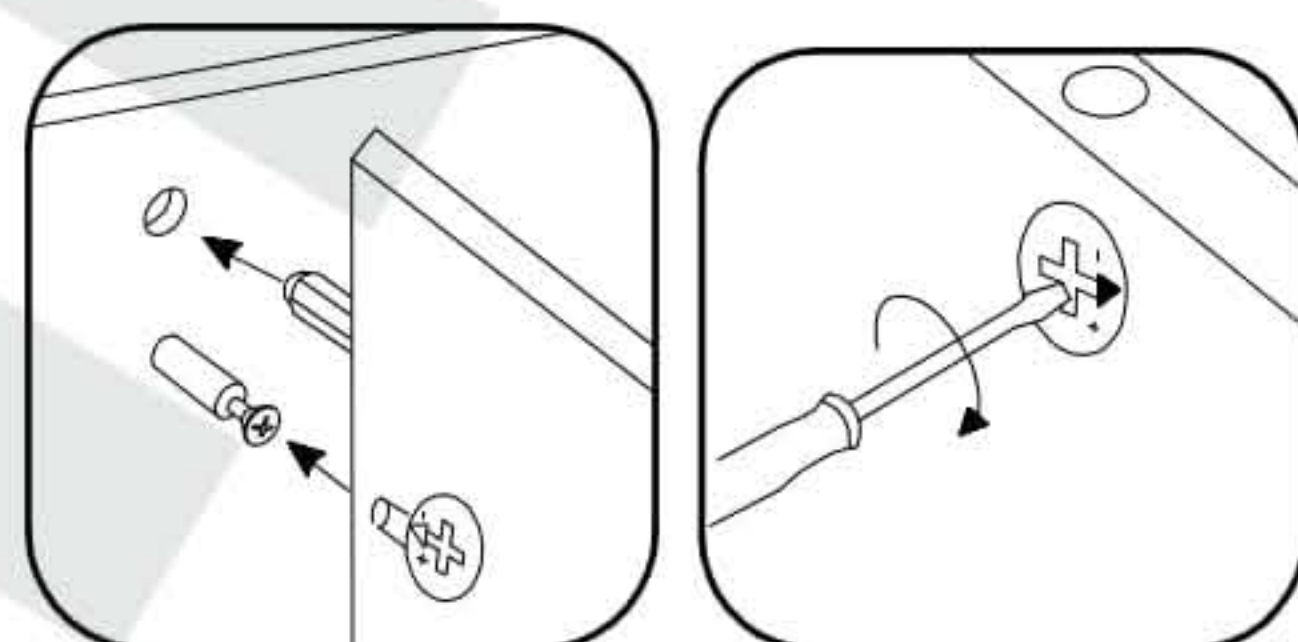
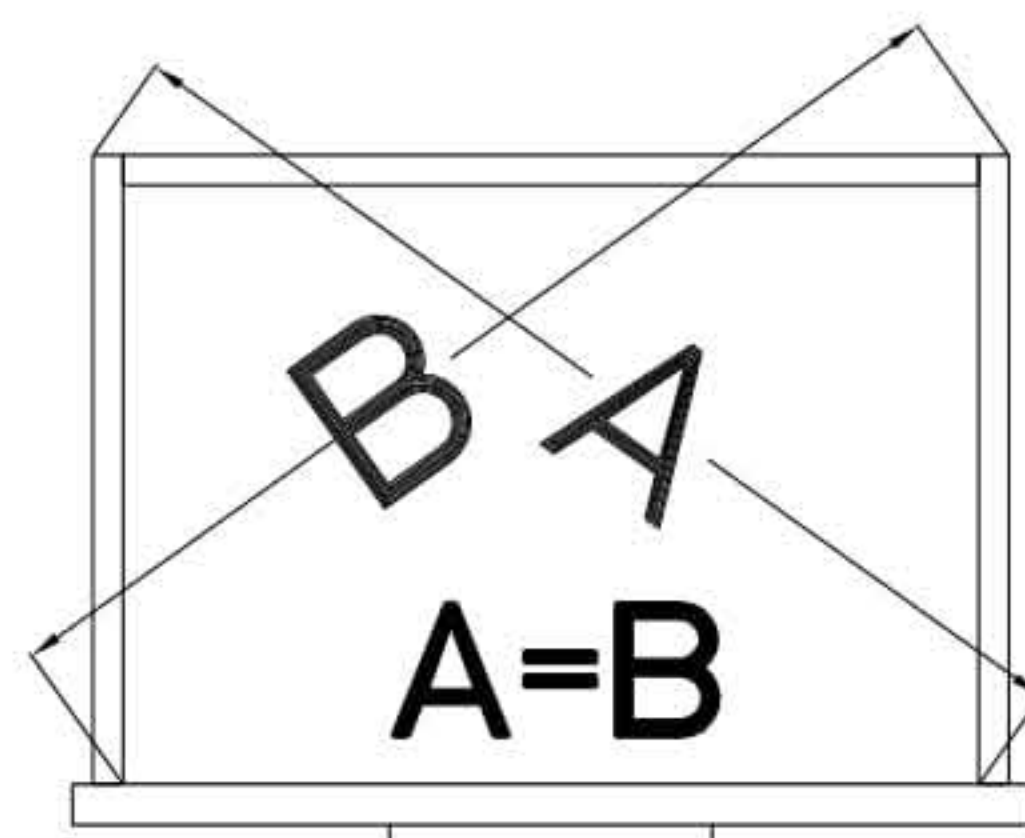
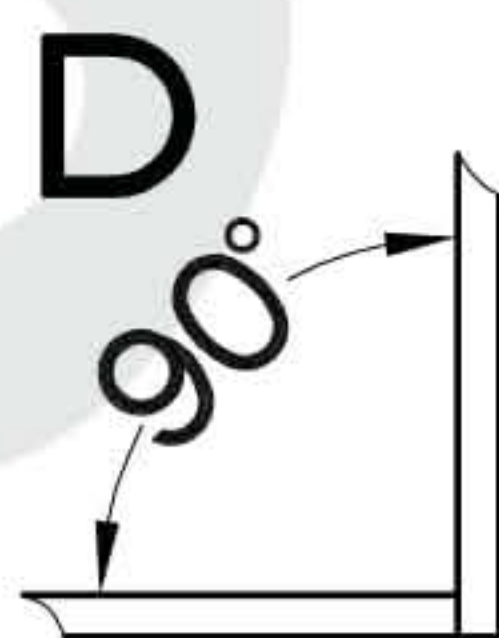
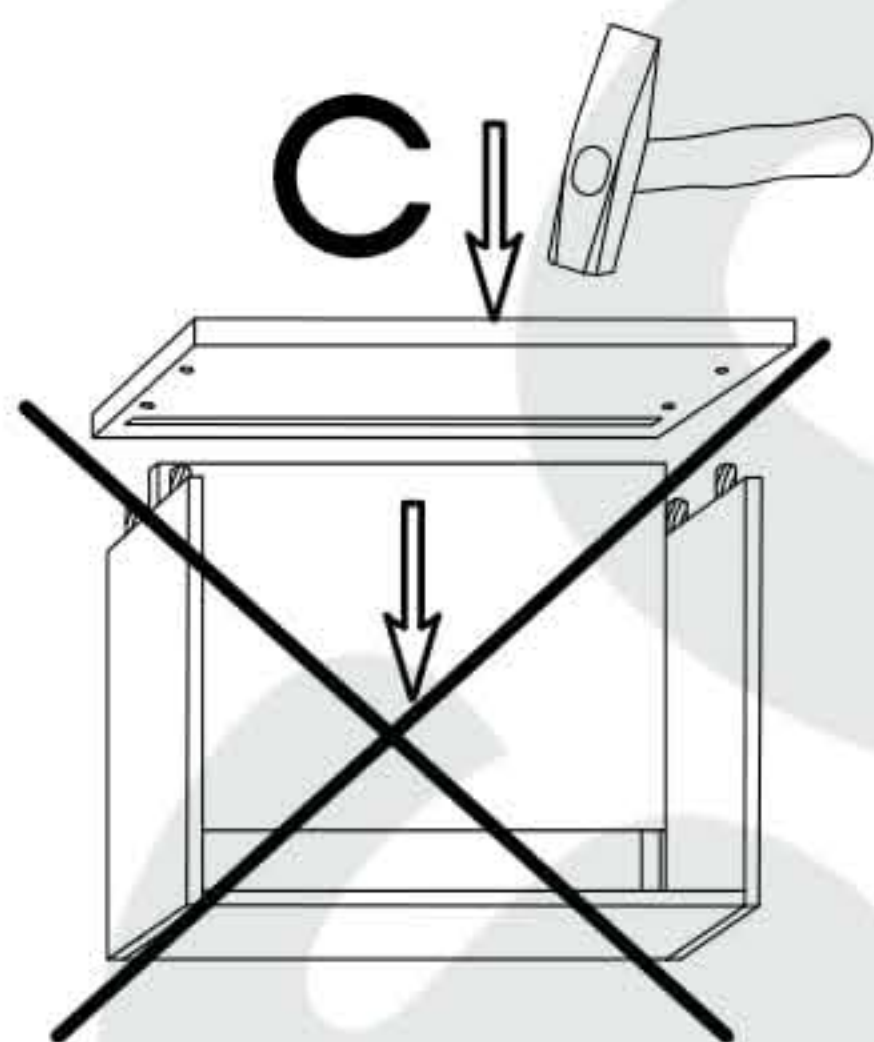
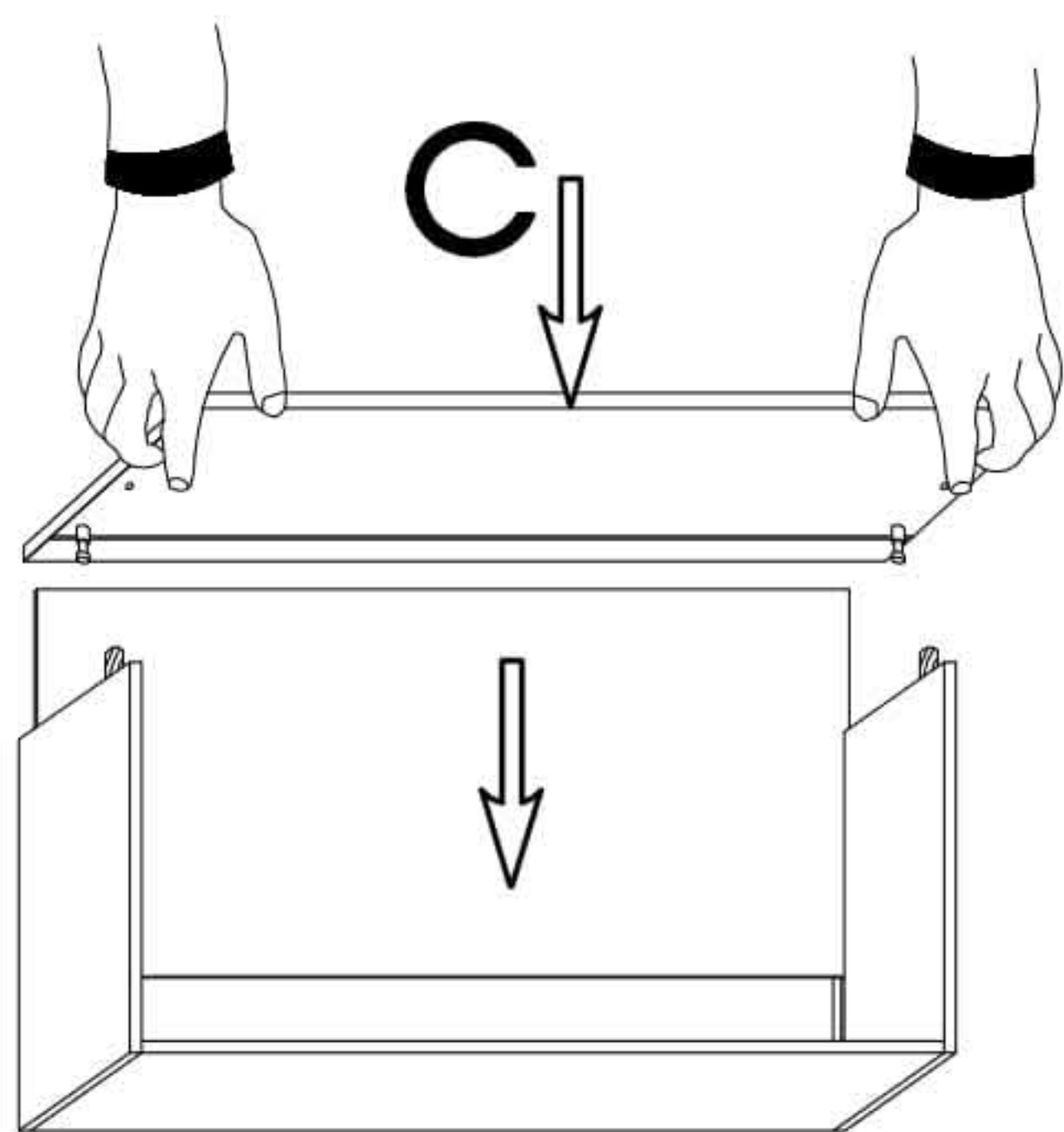
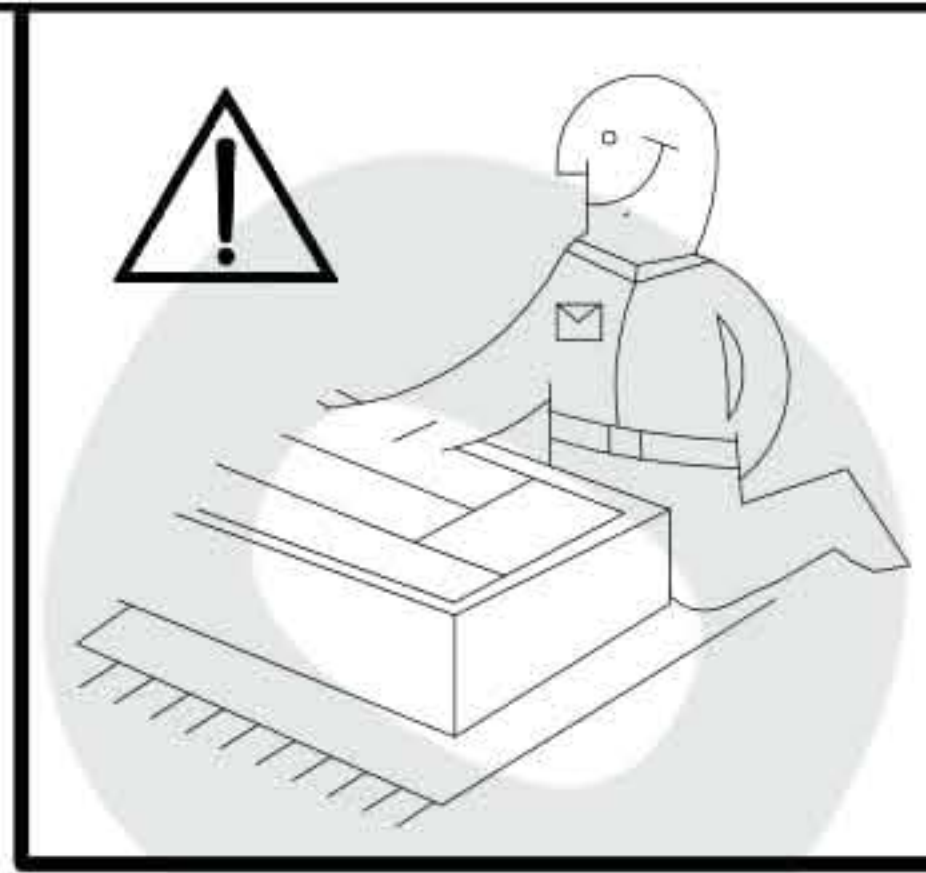
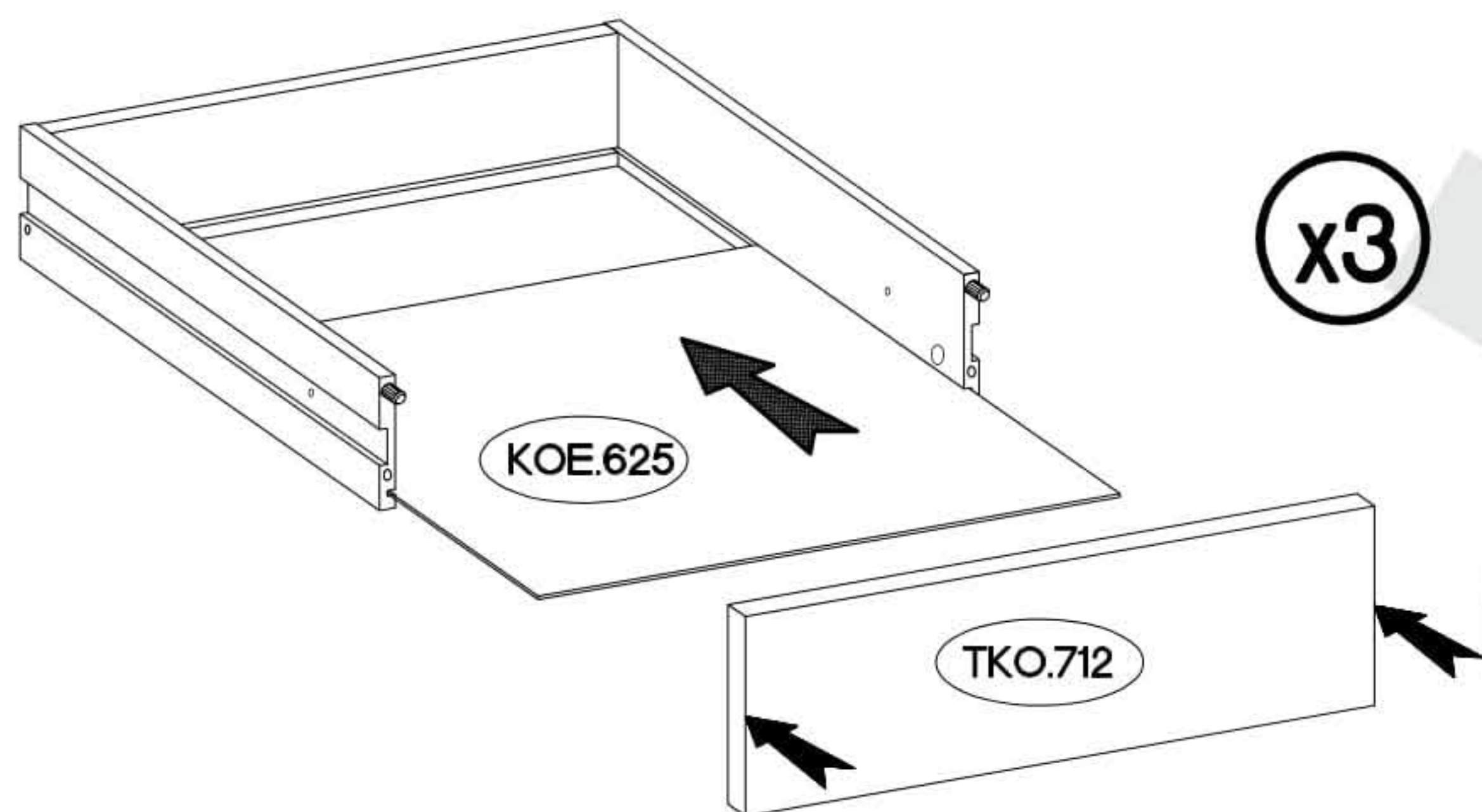


3

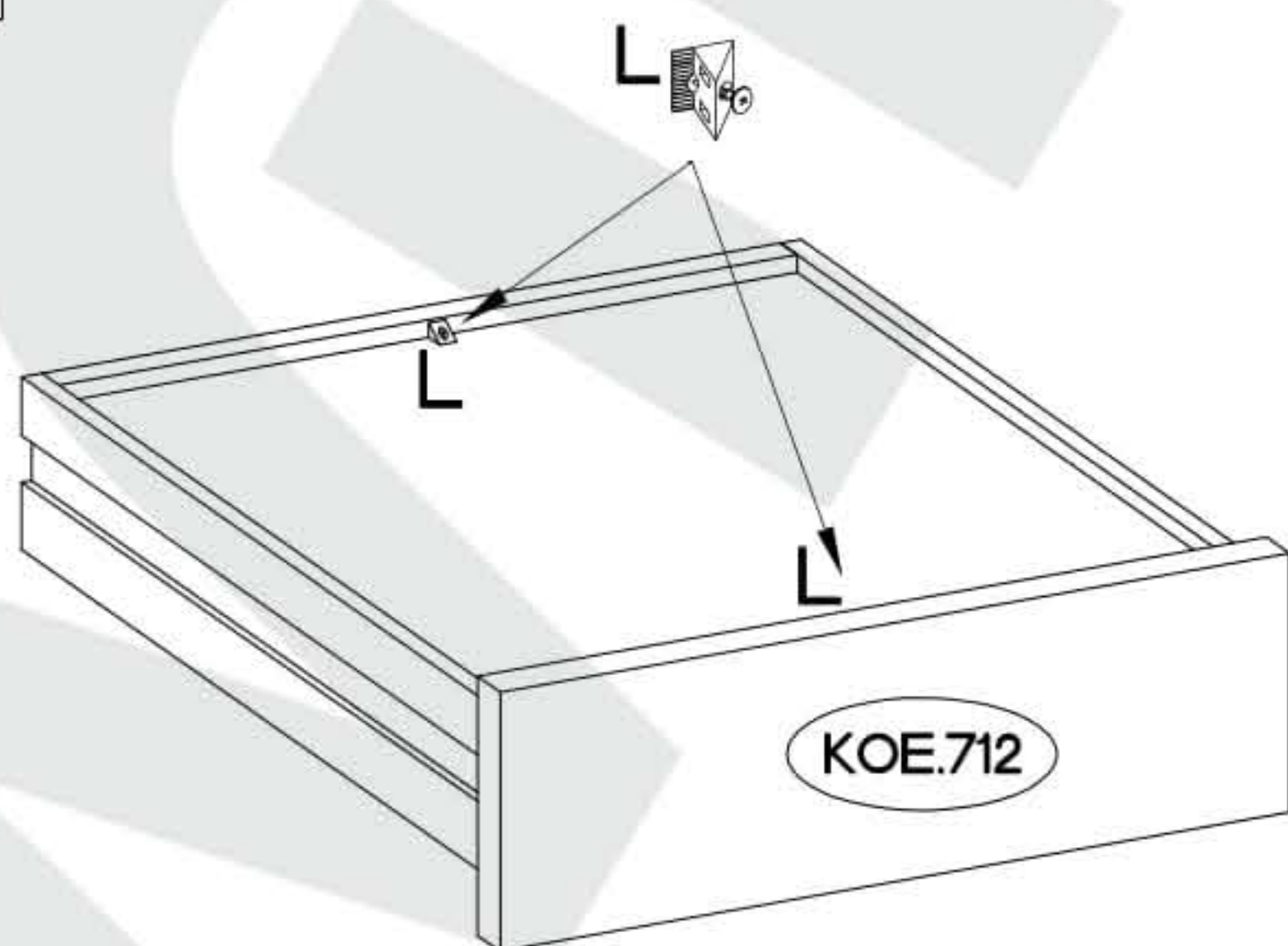
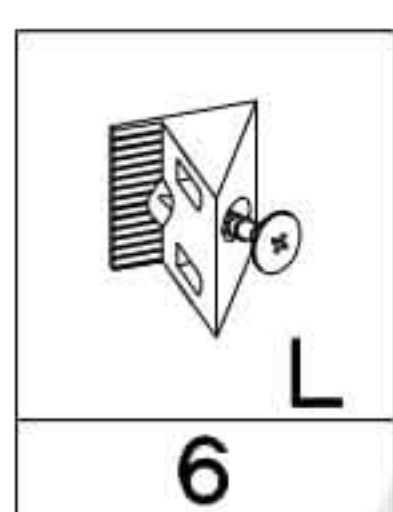
L=20mm  D2 6	 L33 3
---	--



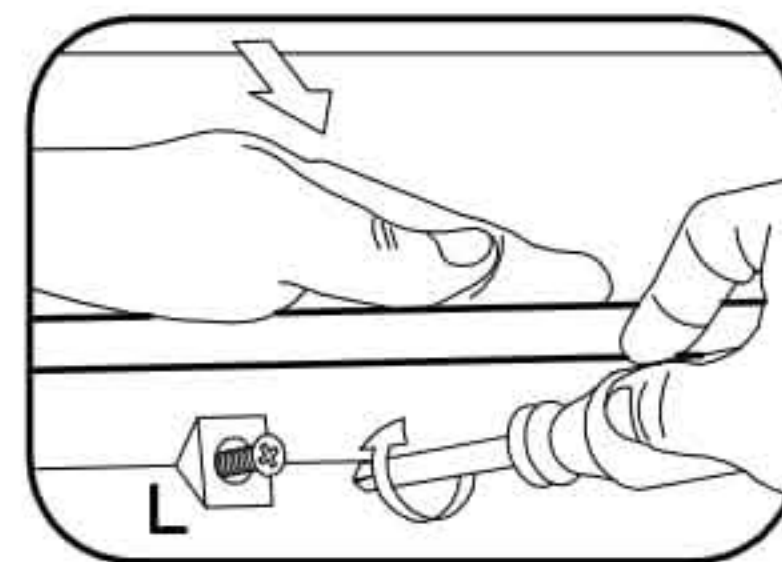
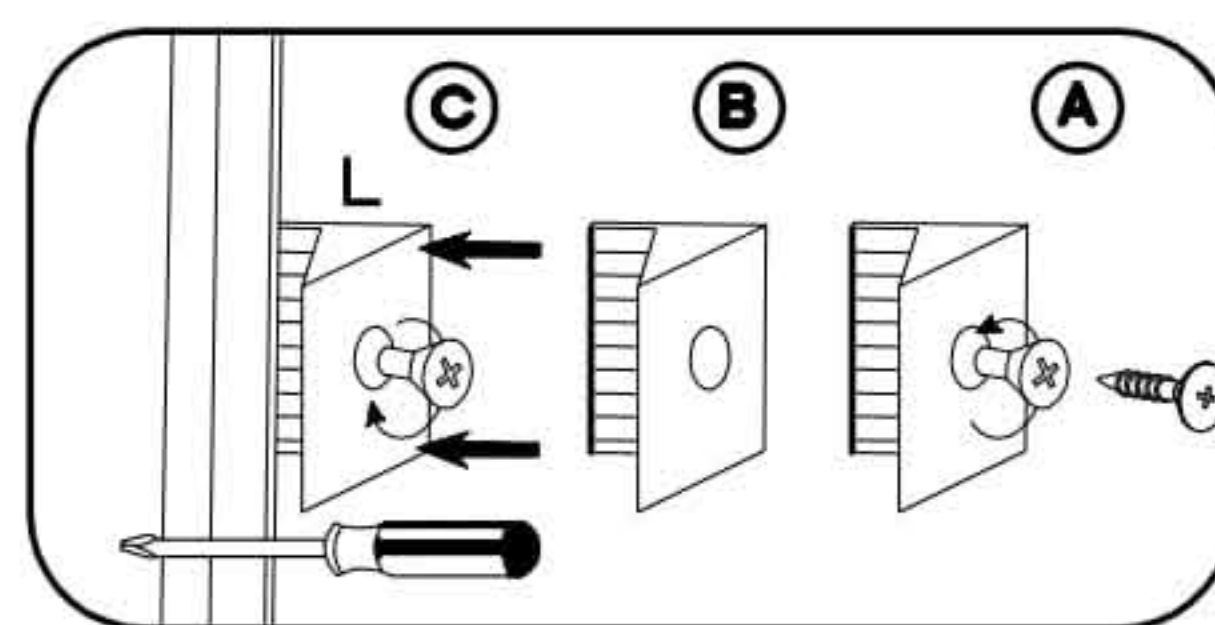
4



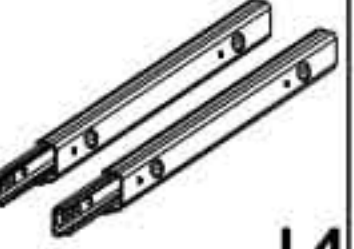

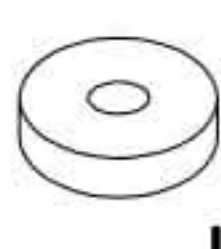


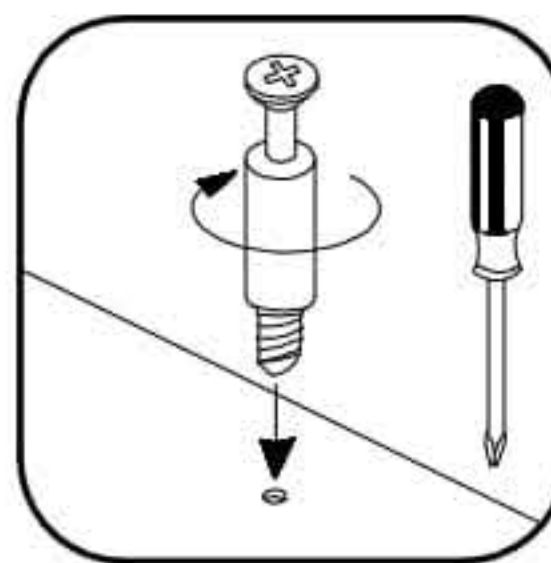
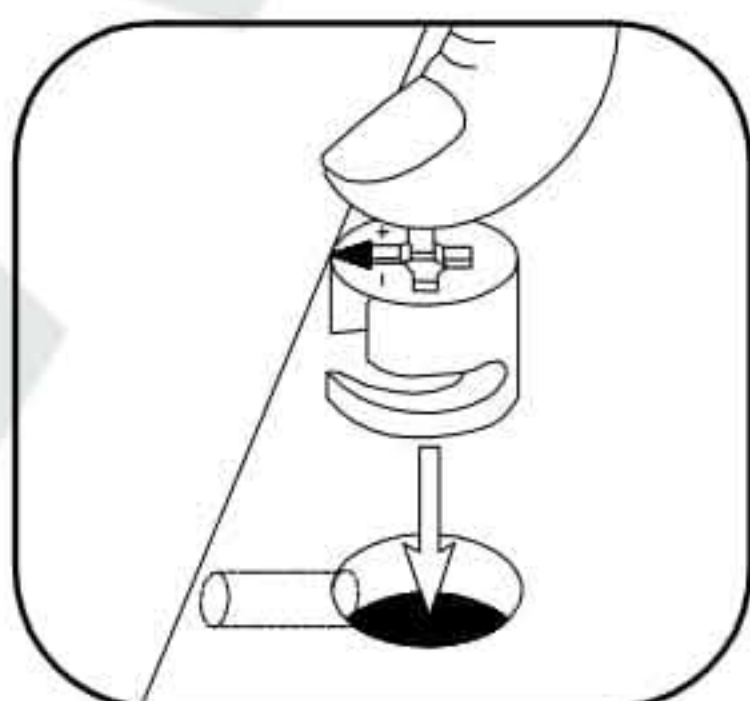
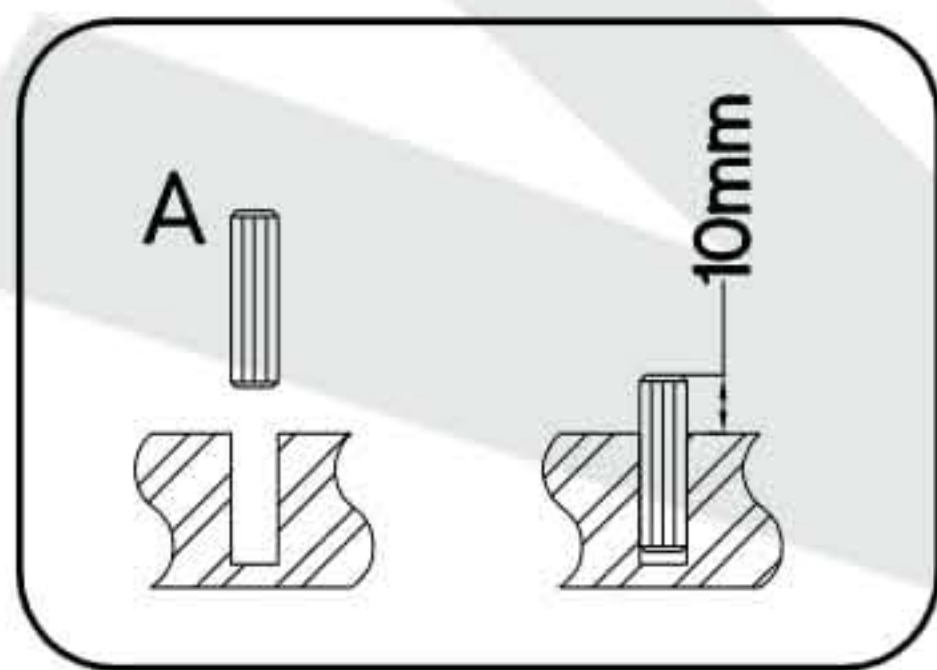
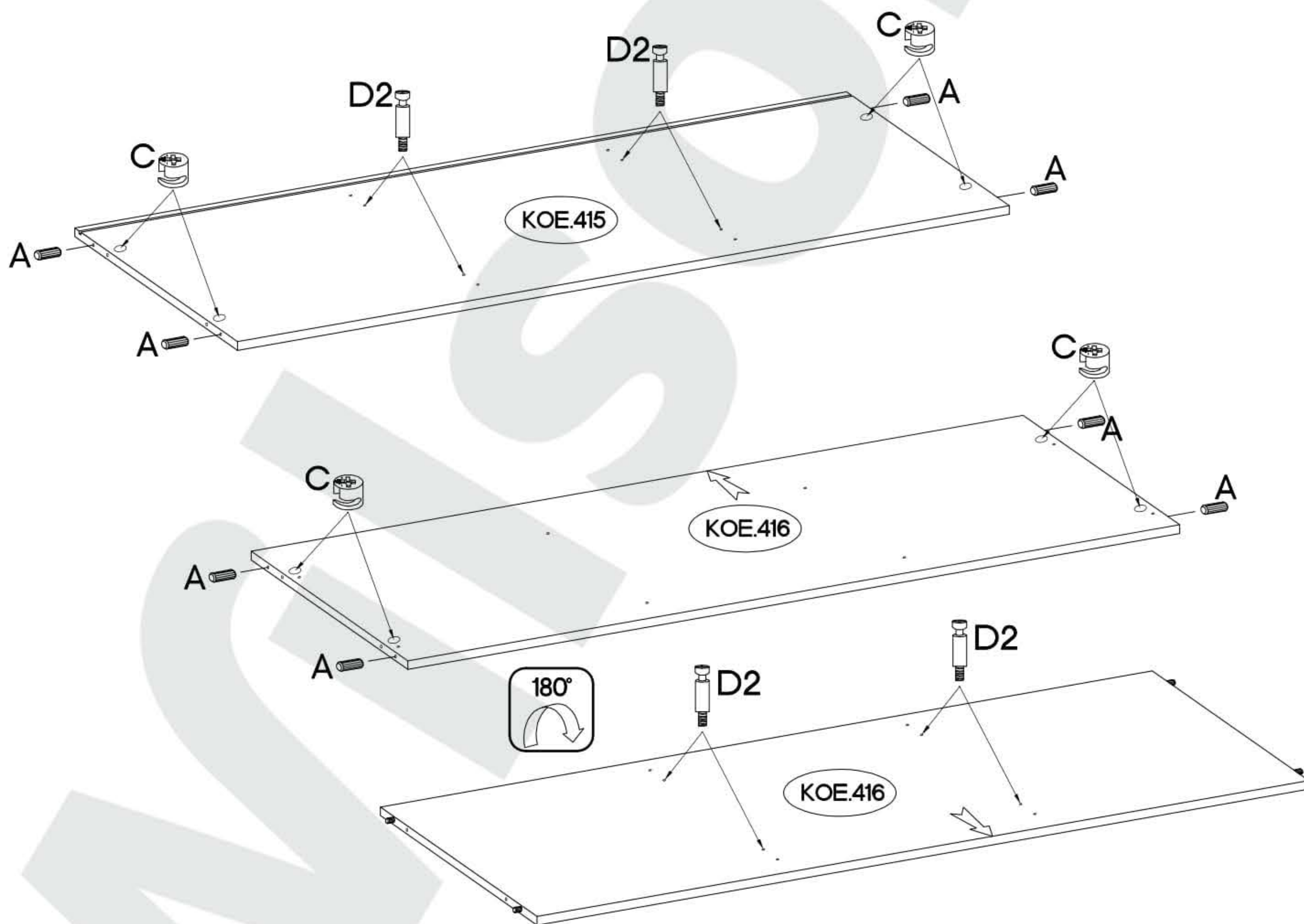
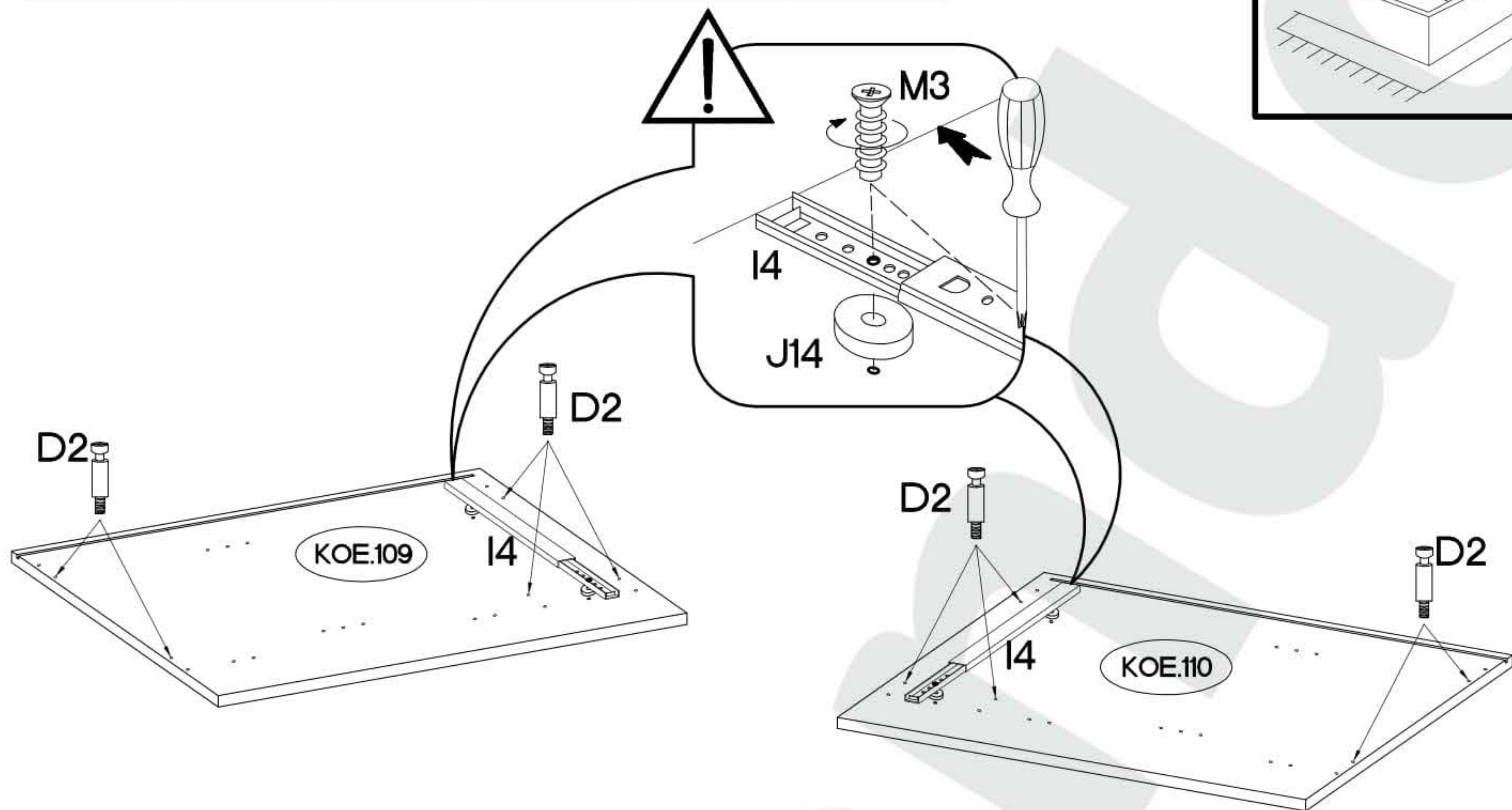
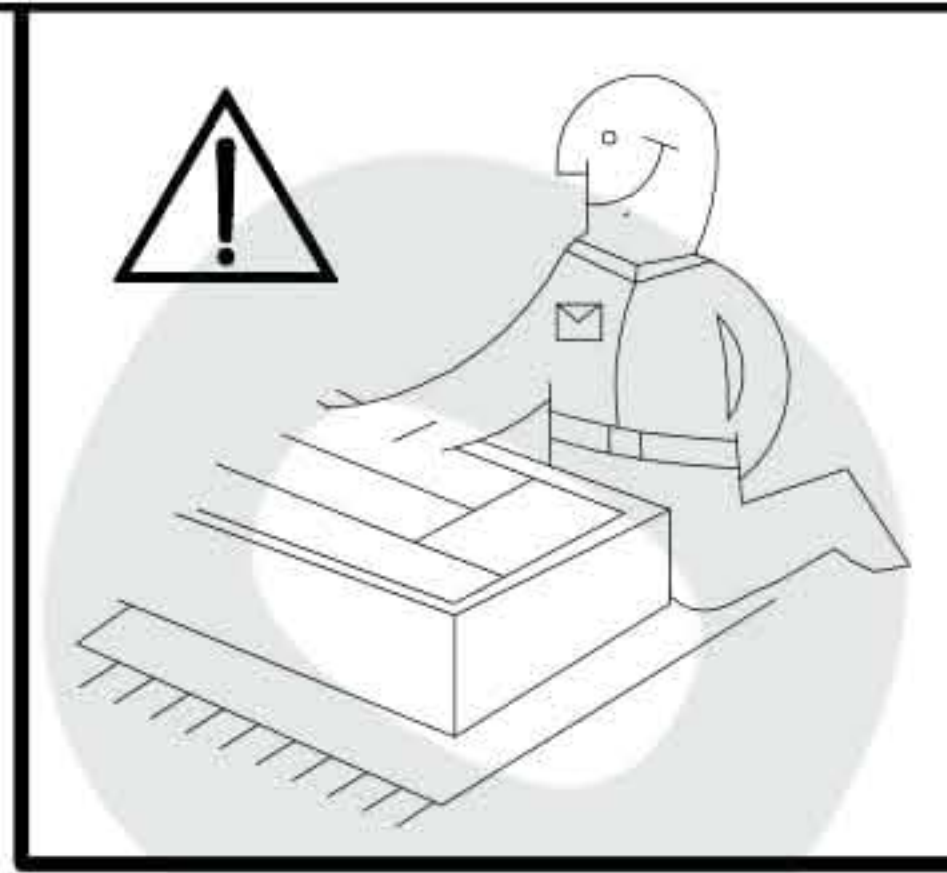
5

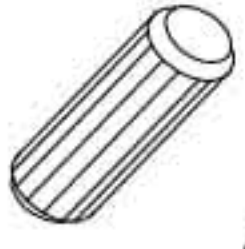

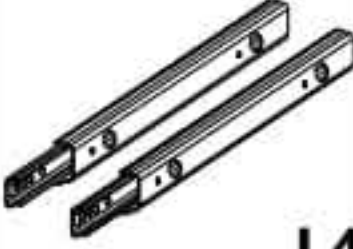



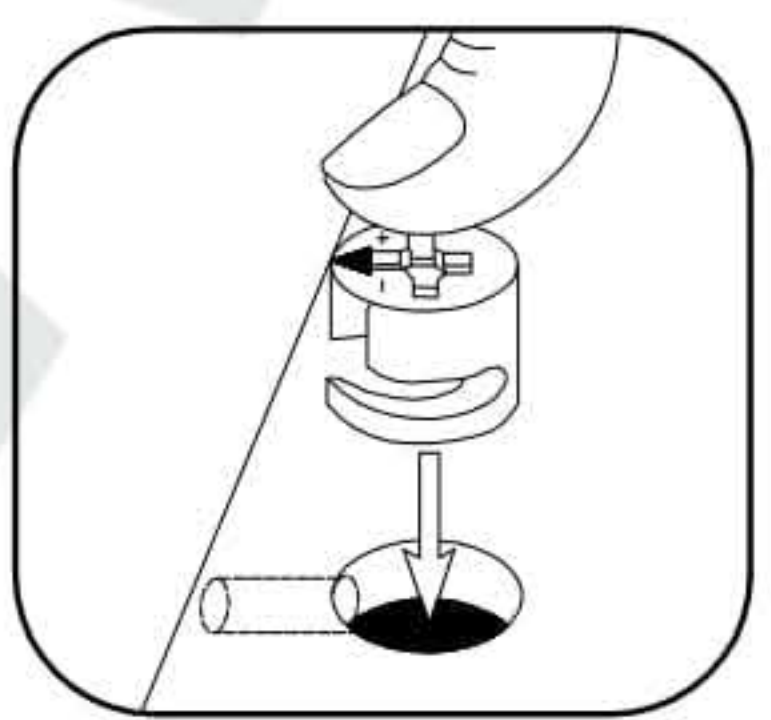
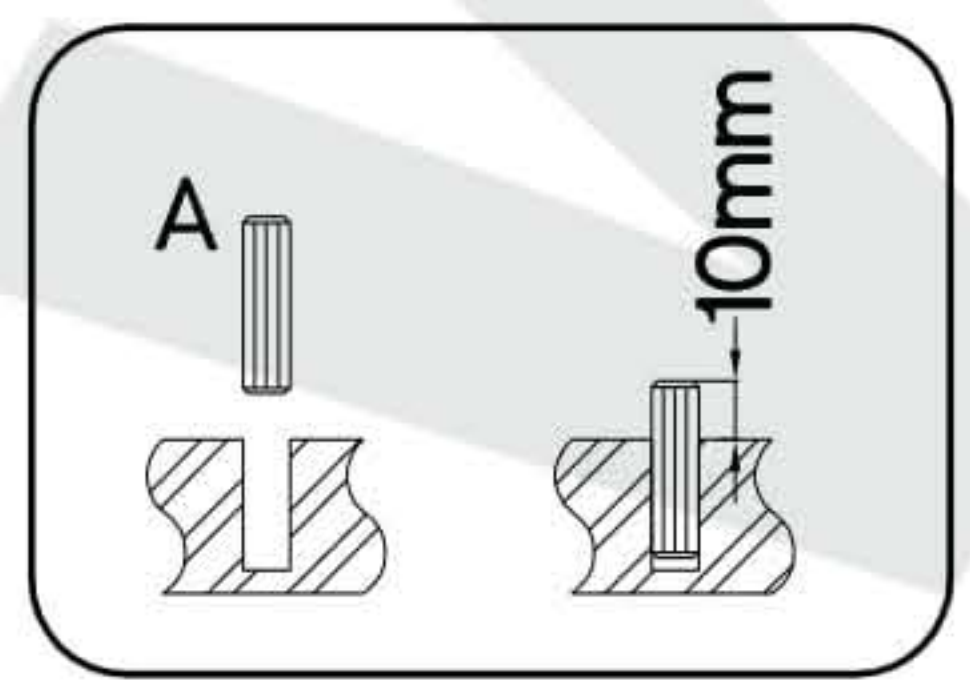
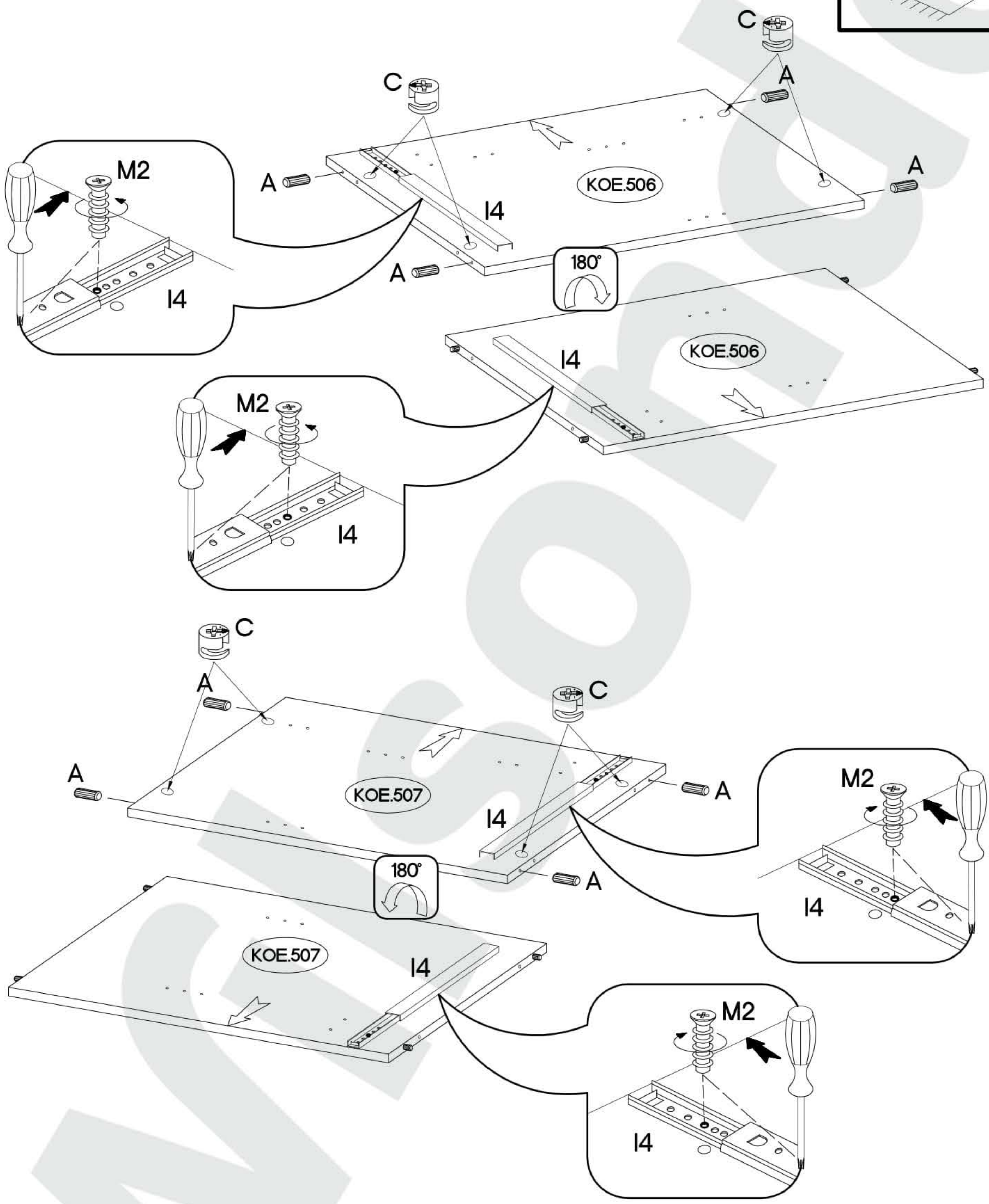
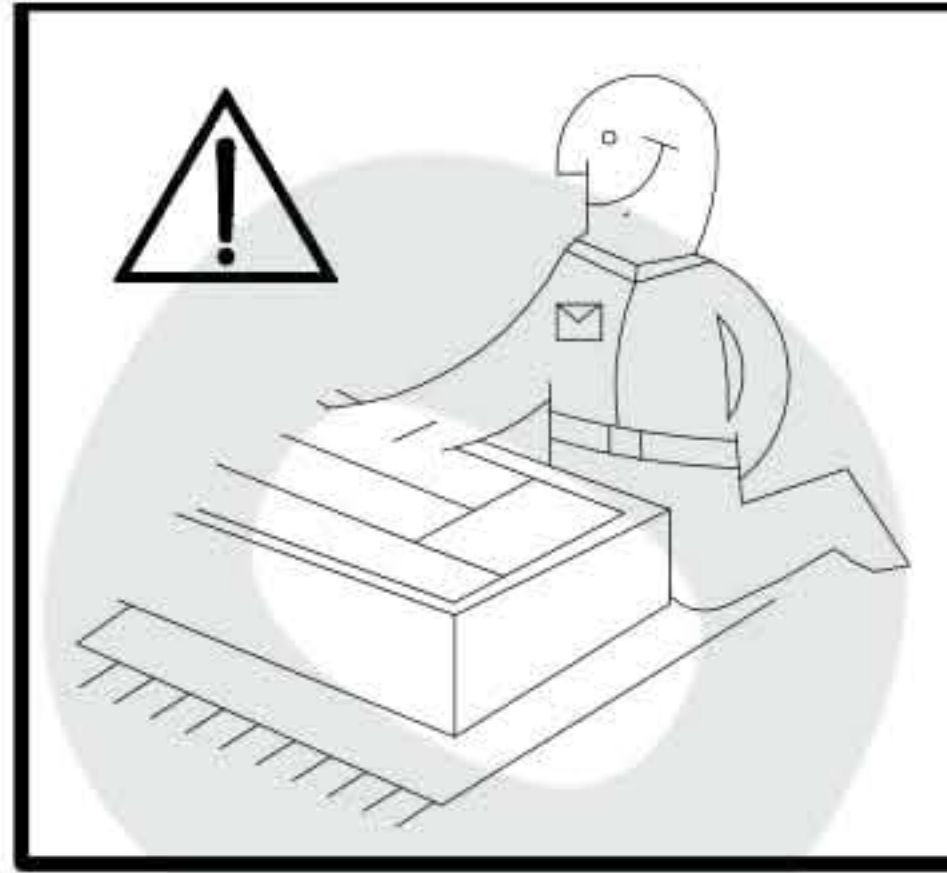
x3

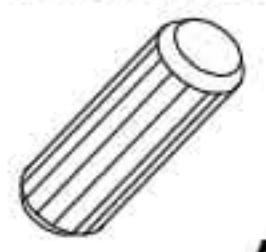


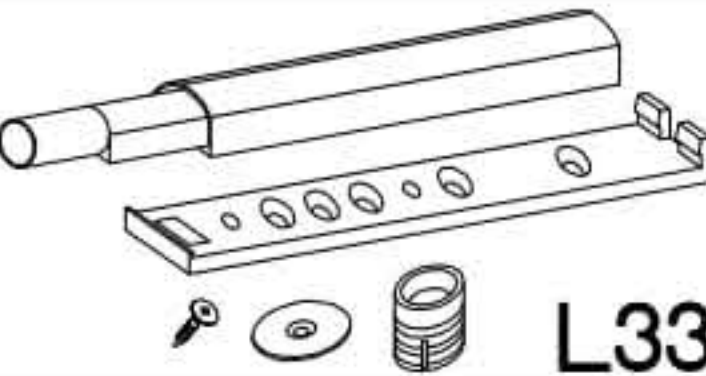



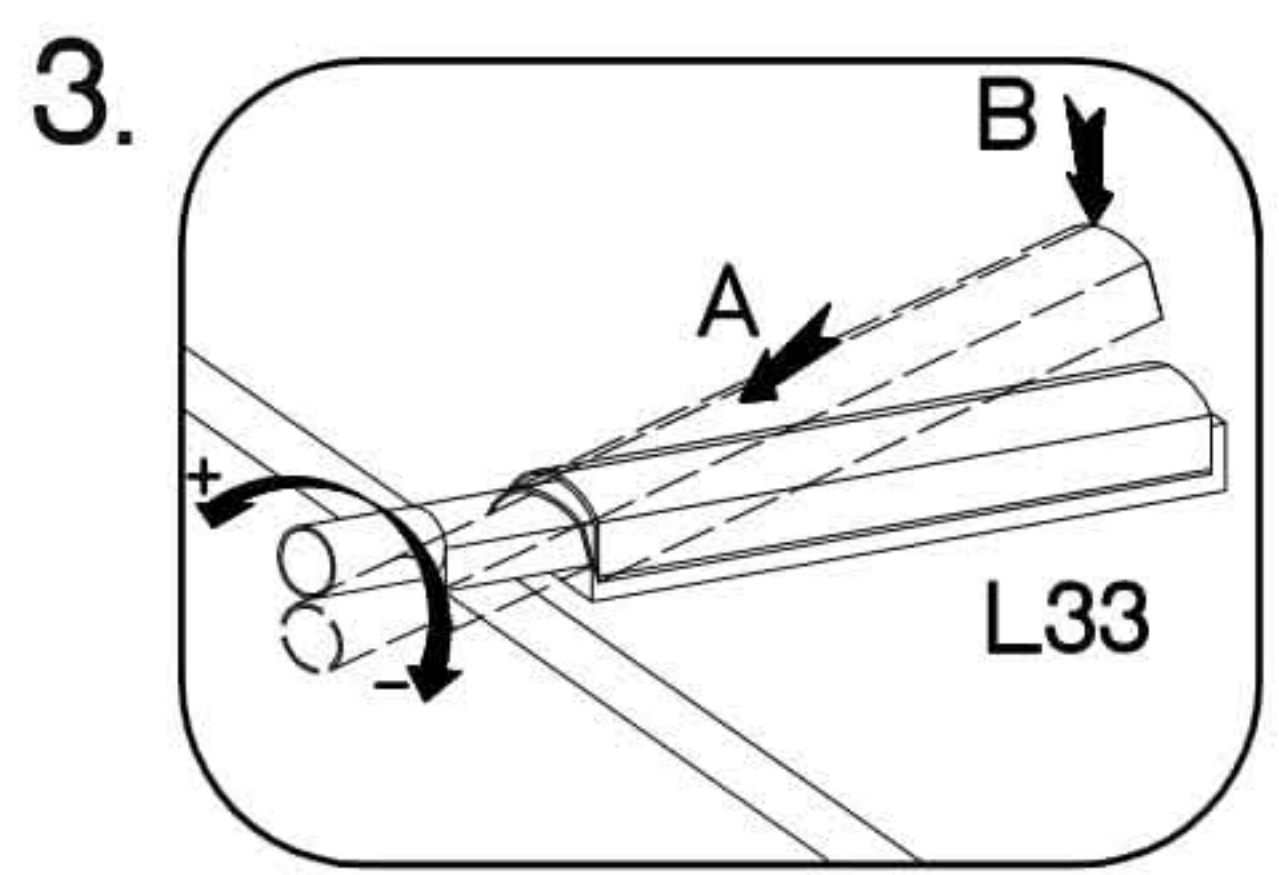
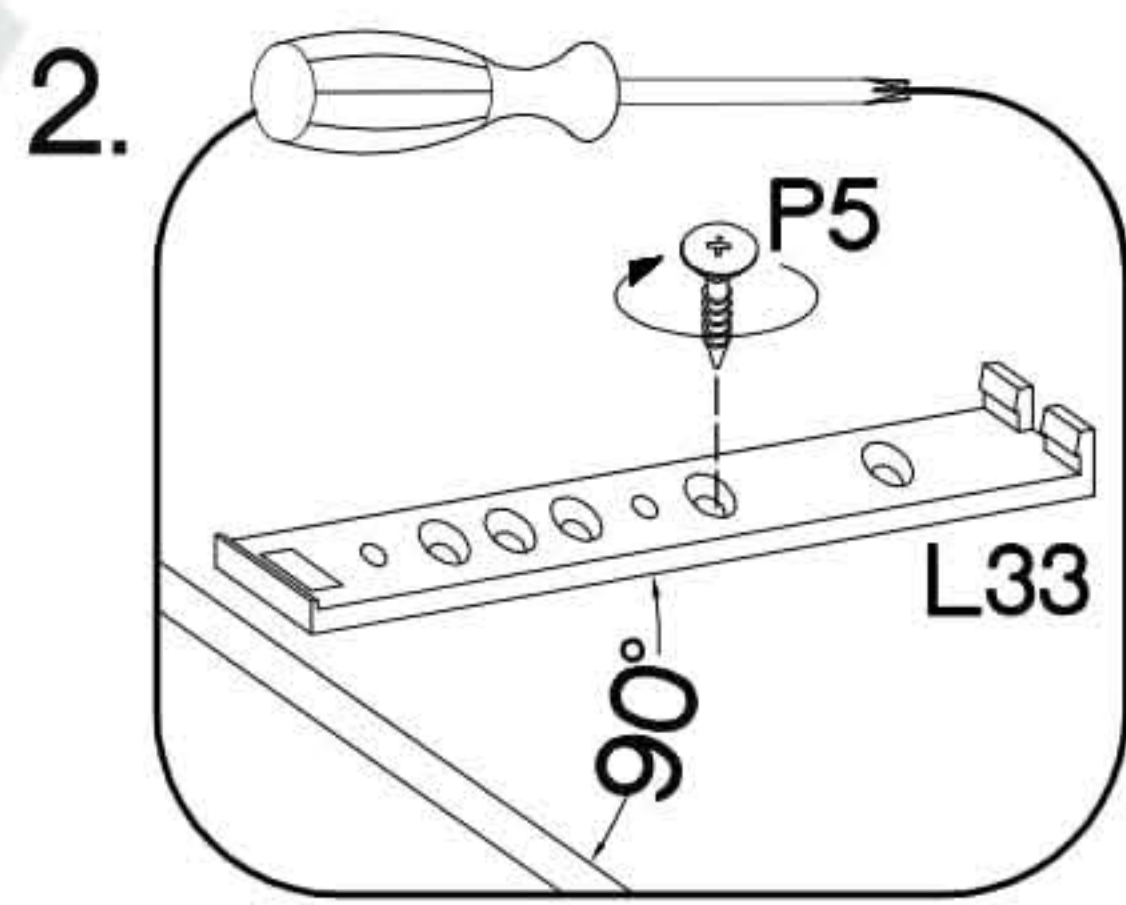
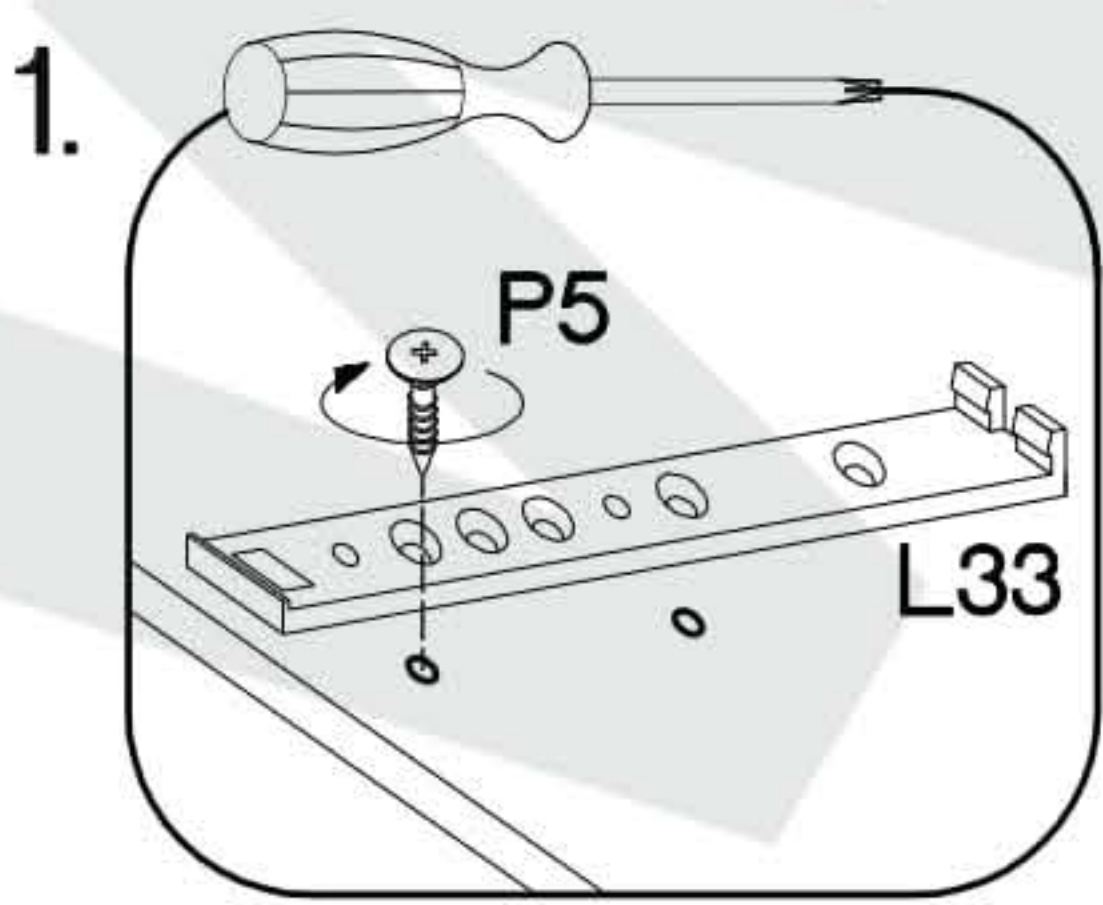
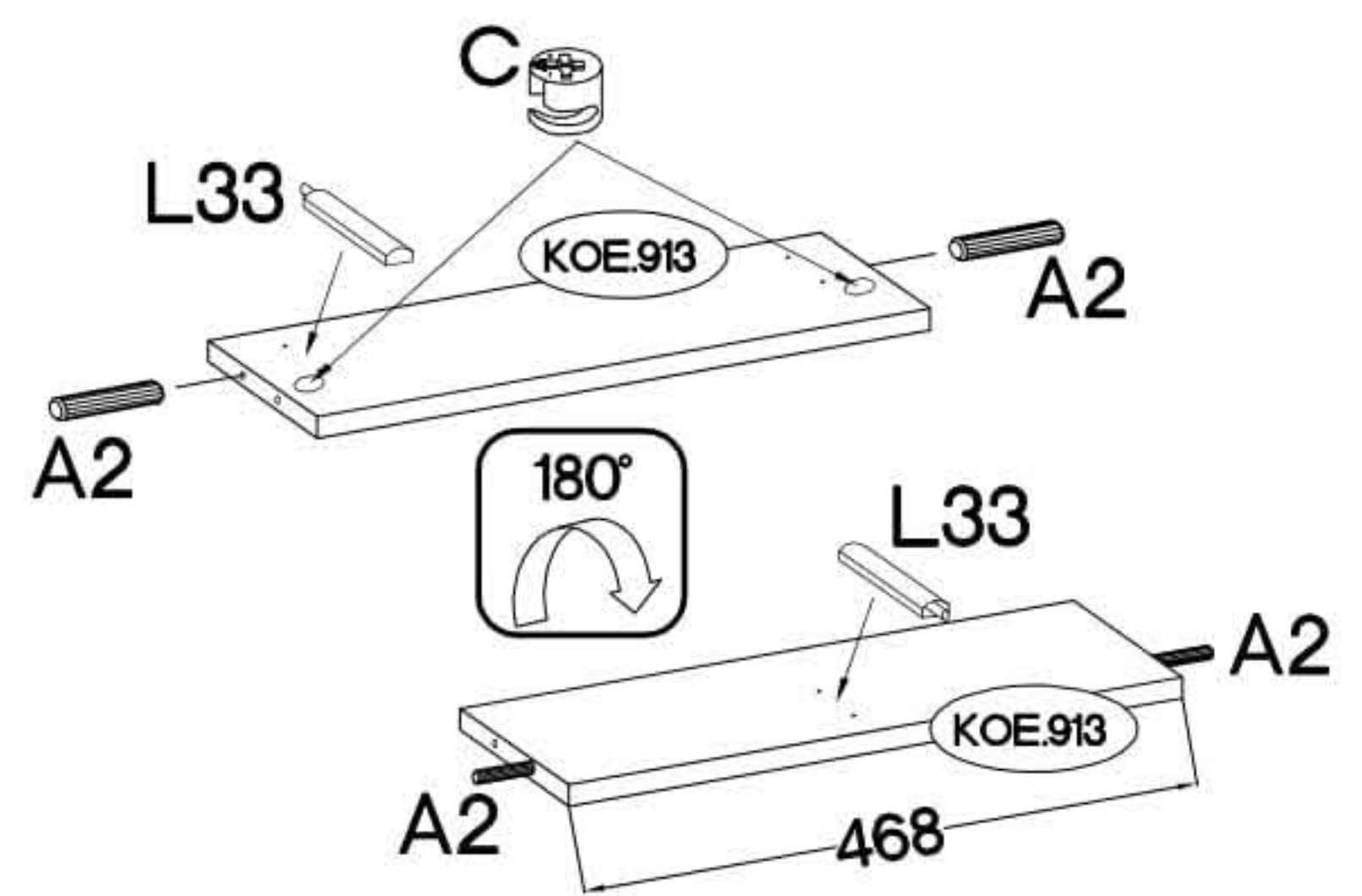
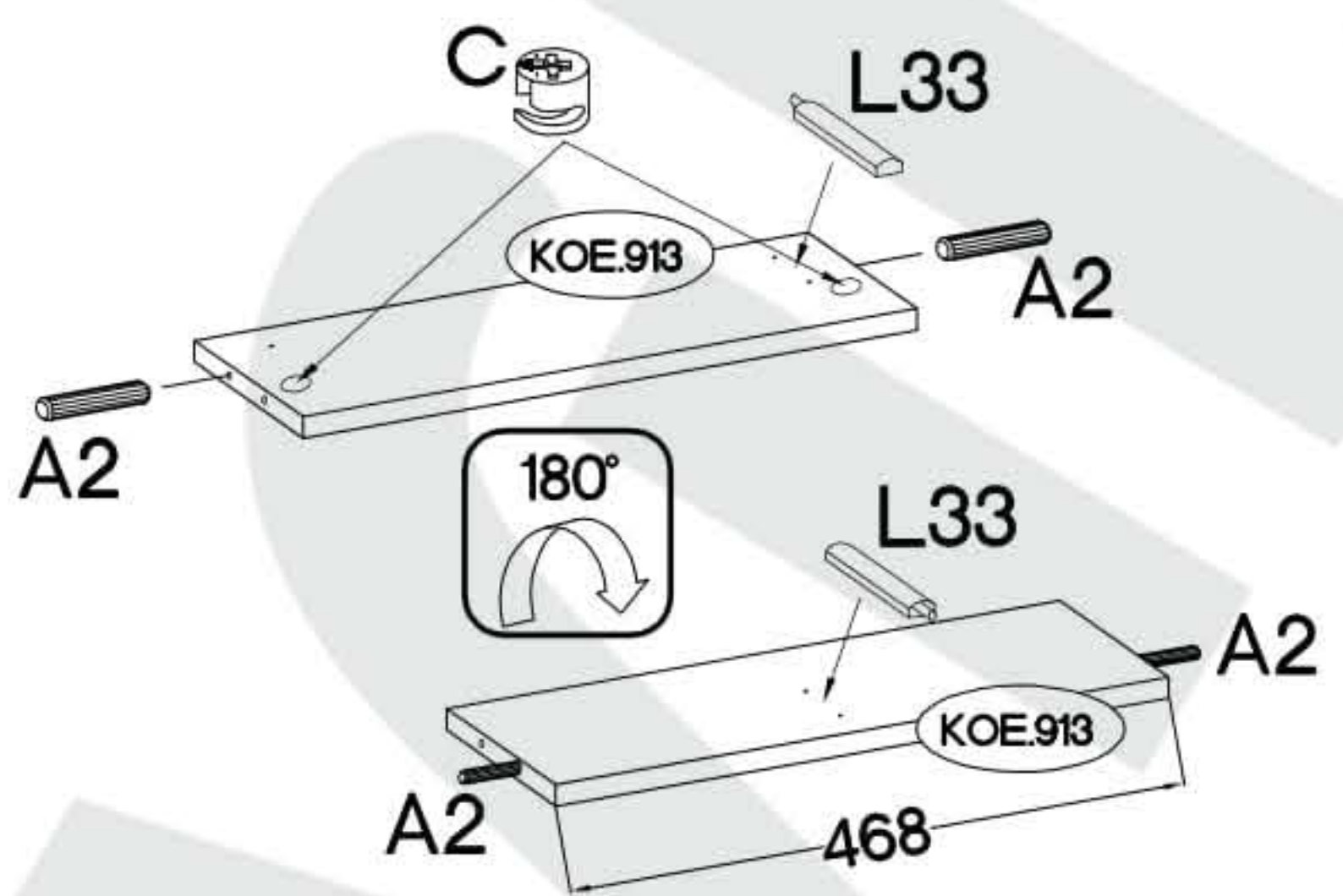
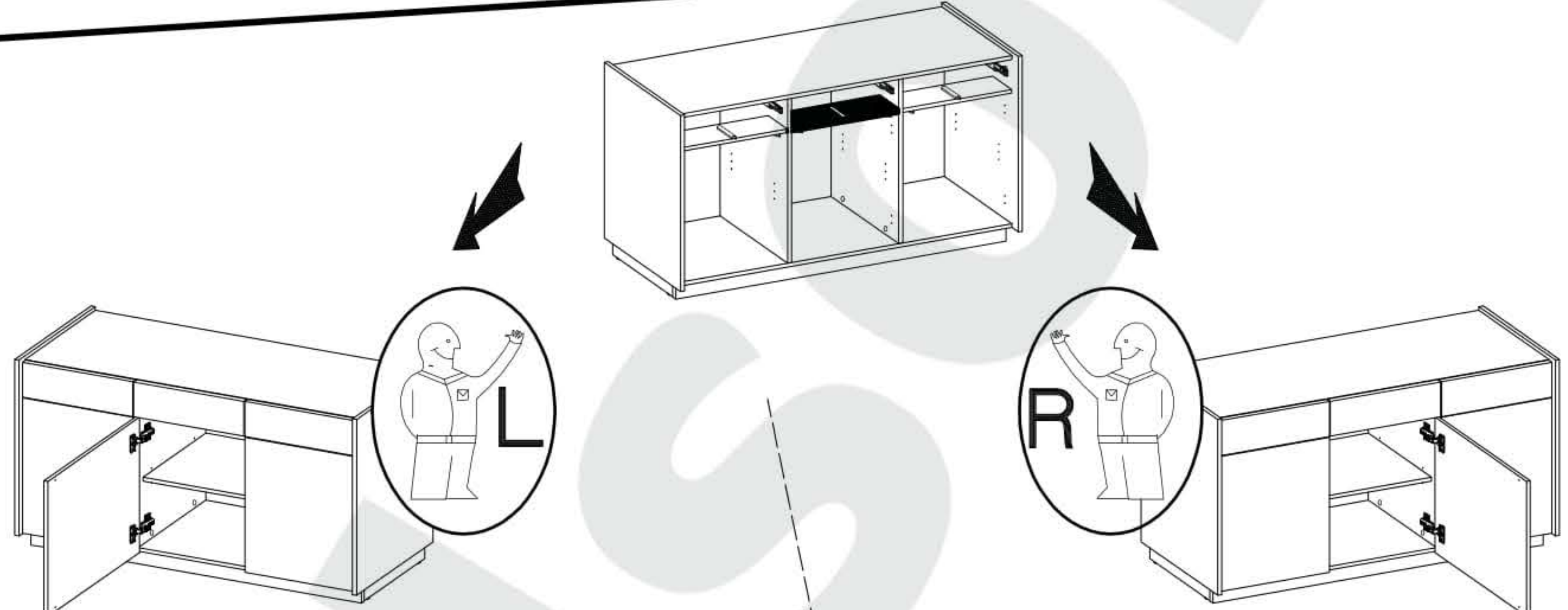
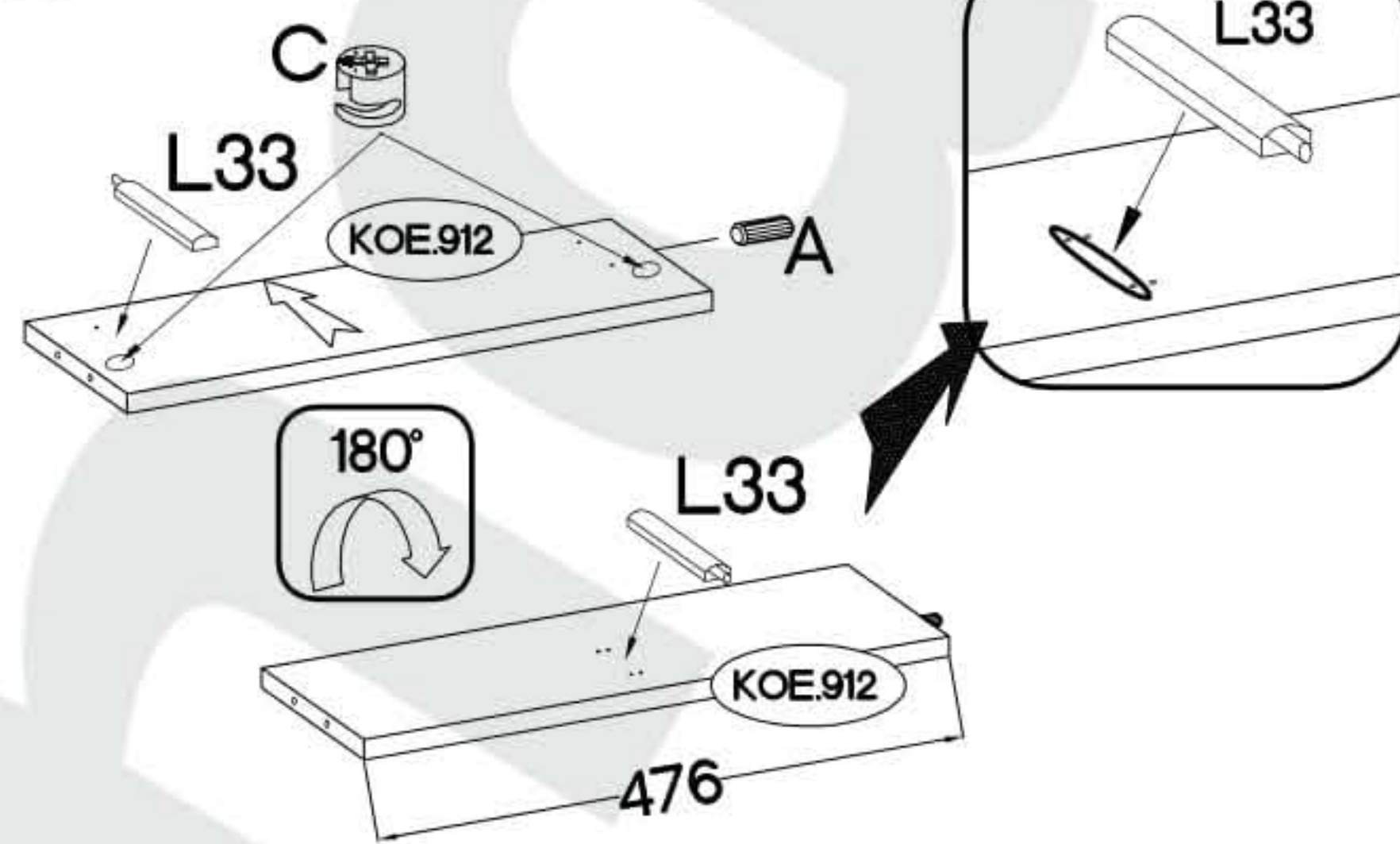
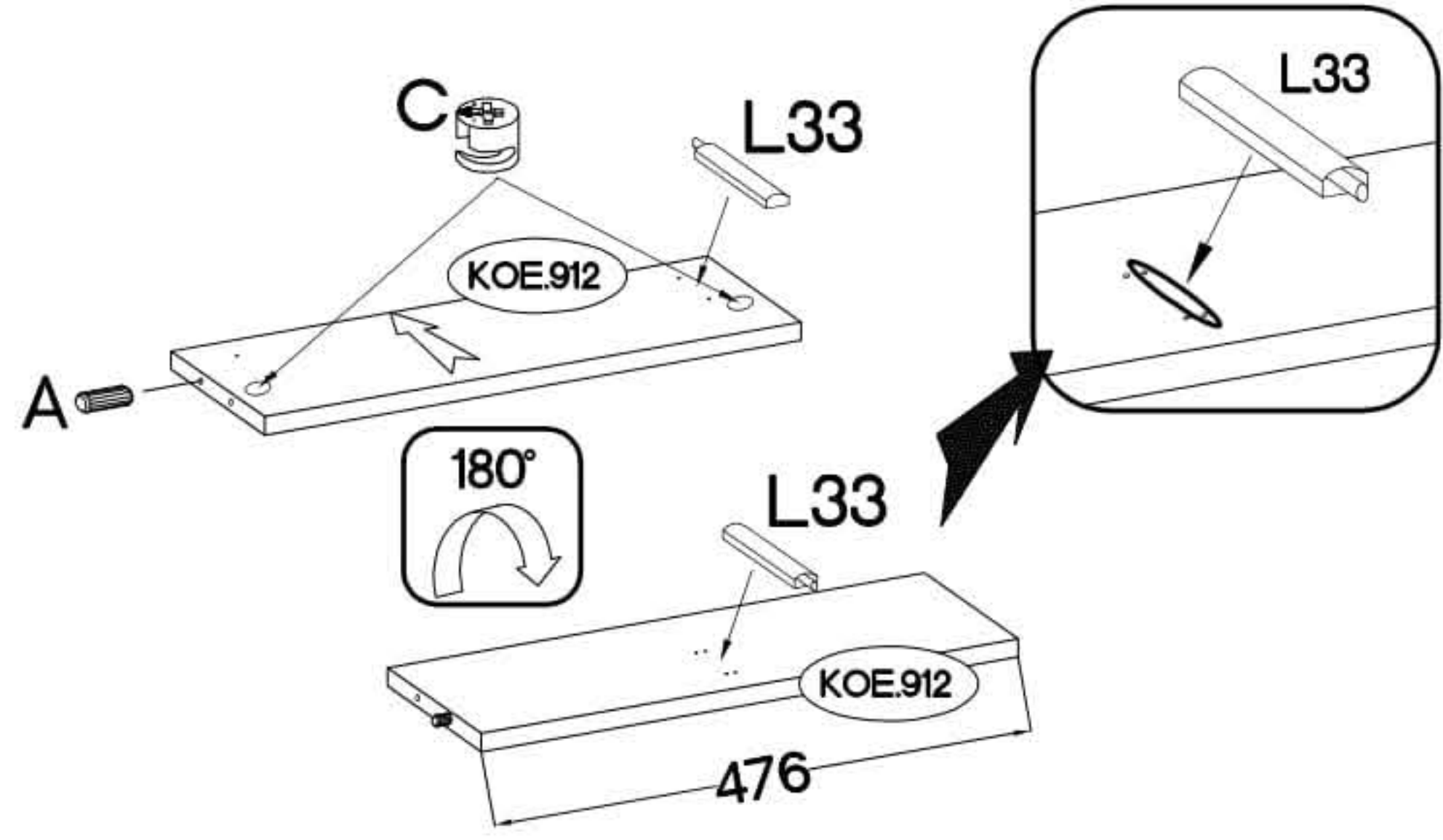
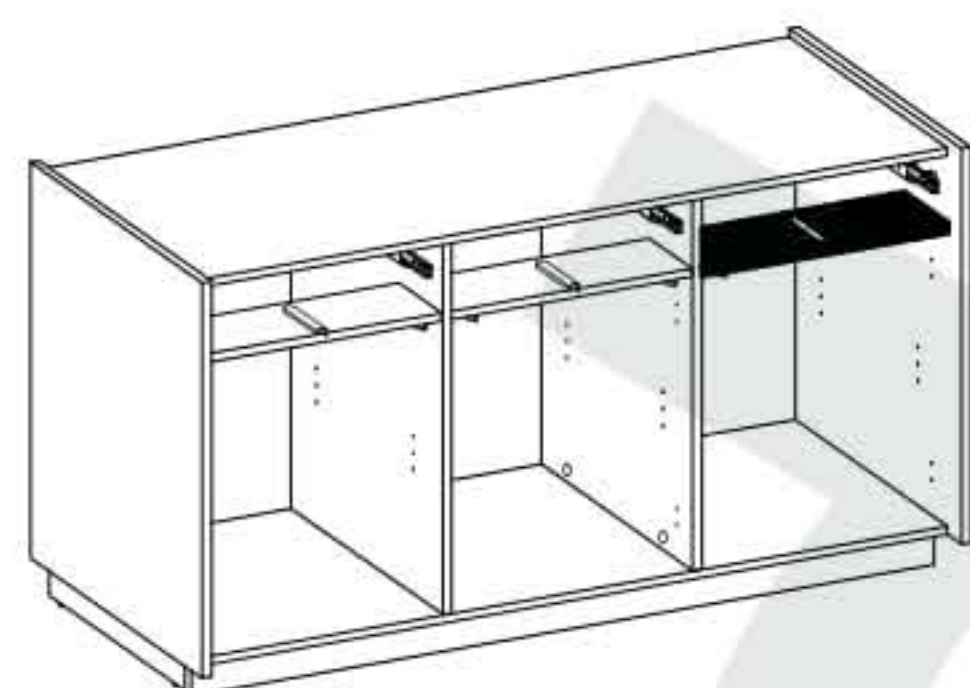
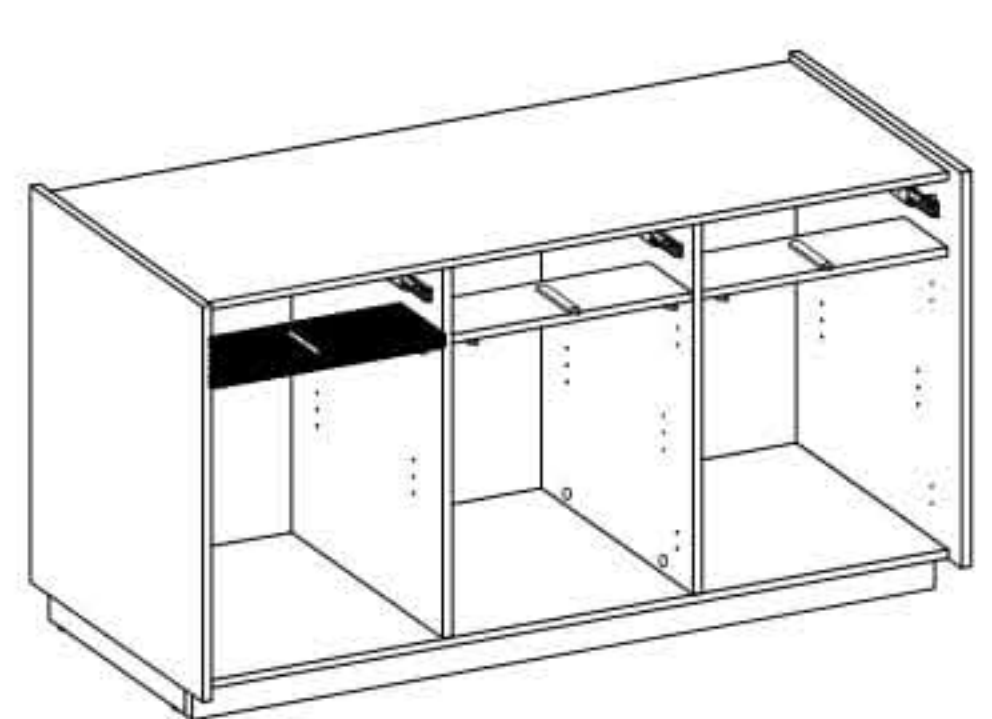
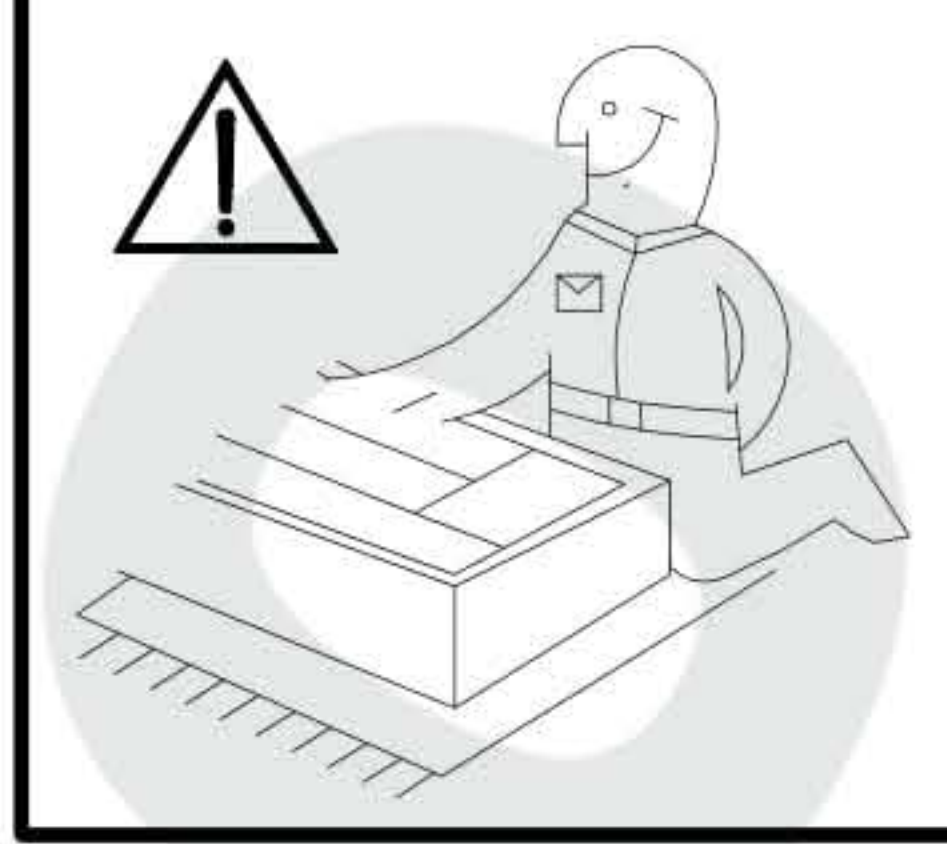
†8x30mm  A	†15/12mm  C	L=20mm  D2	27/310mm  I4	†6.3x20mm  M3	†20/8mm  J14
8	8	18	1	4	4



±8x30mm  A	±15/12mm  C	27/310mm  I4	±6,3x13mm  M2
8	8	2	8

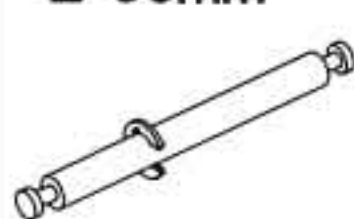


$\pm 8 \times 30 \text{mm}$  A	$\pm 8 \times 60 \text{mm}$  A2	$\pm 15/12 \text{mm}$  C	 L33	$\pm 3.5 \times 13 \text{mm}$  P5
2	2	6	6	12



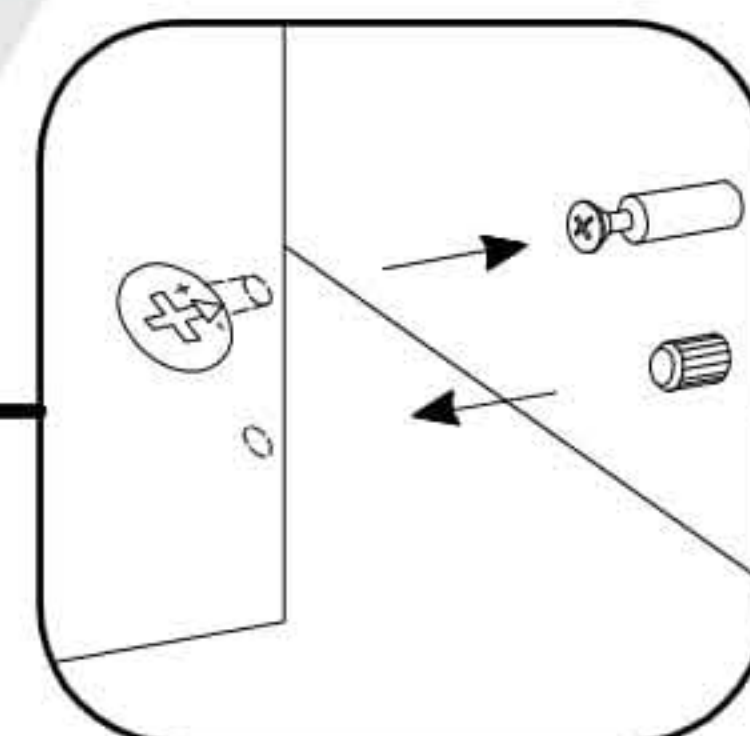
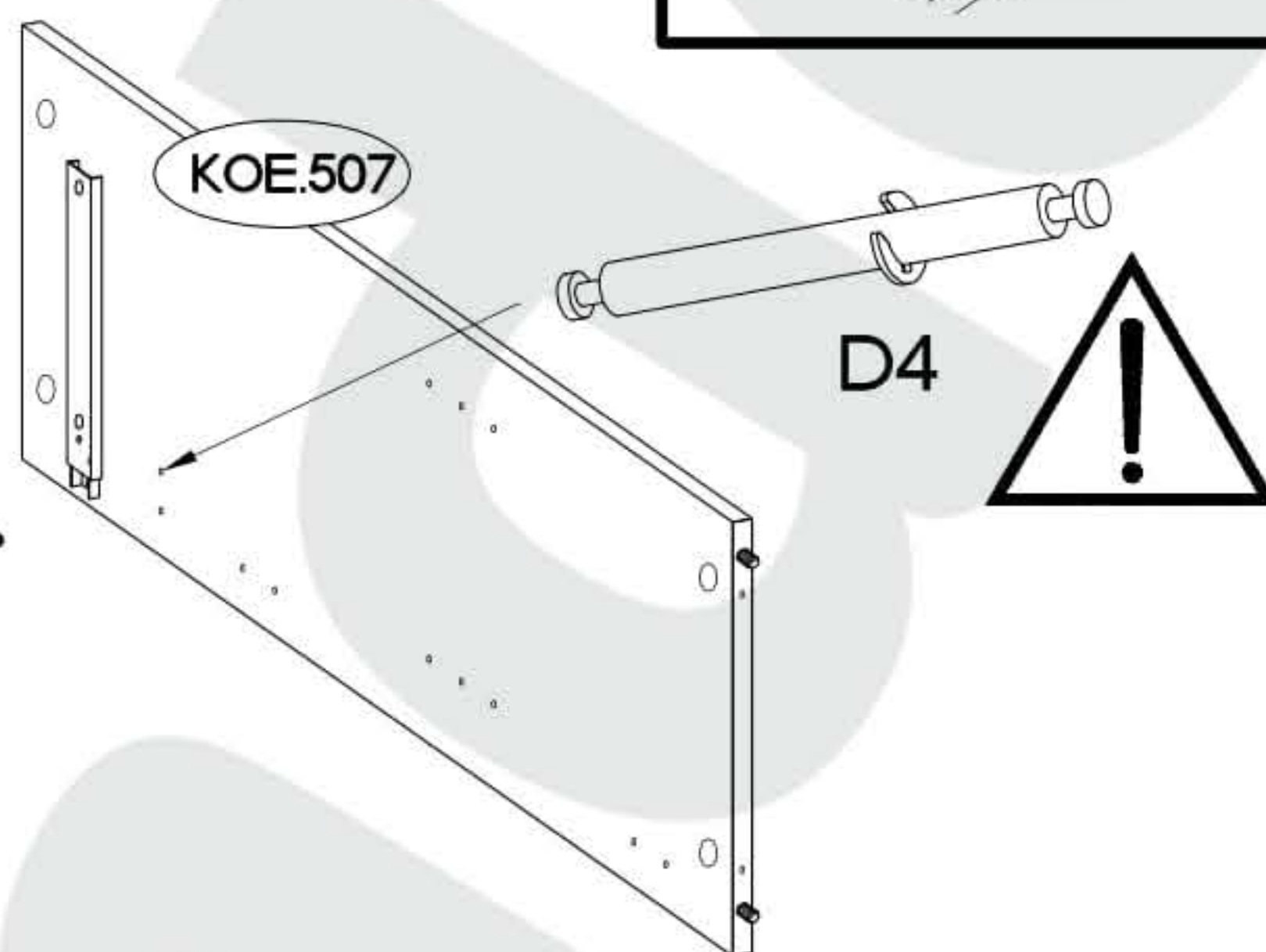
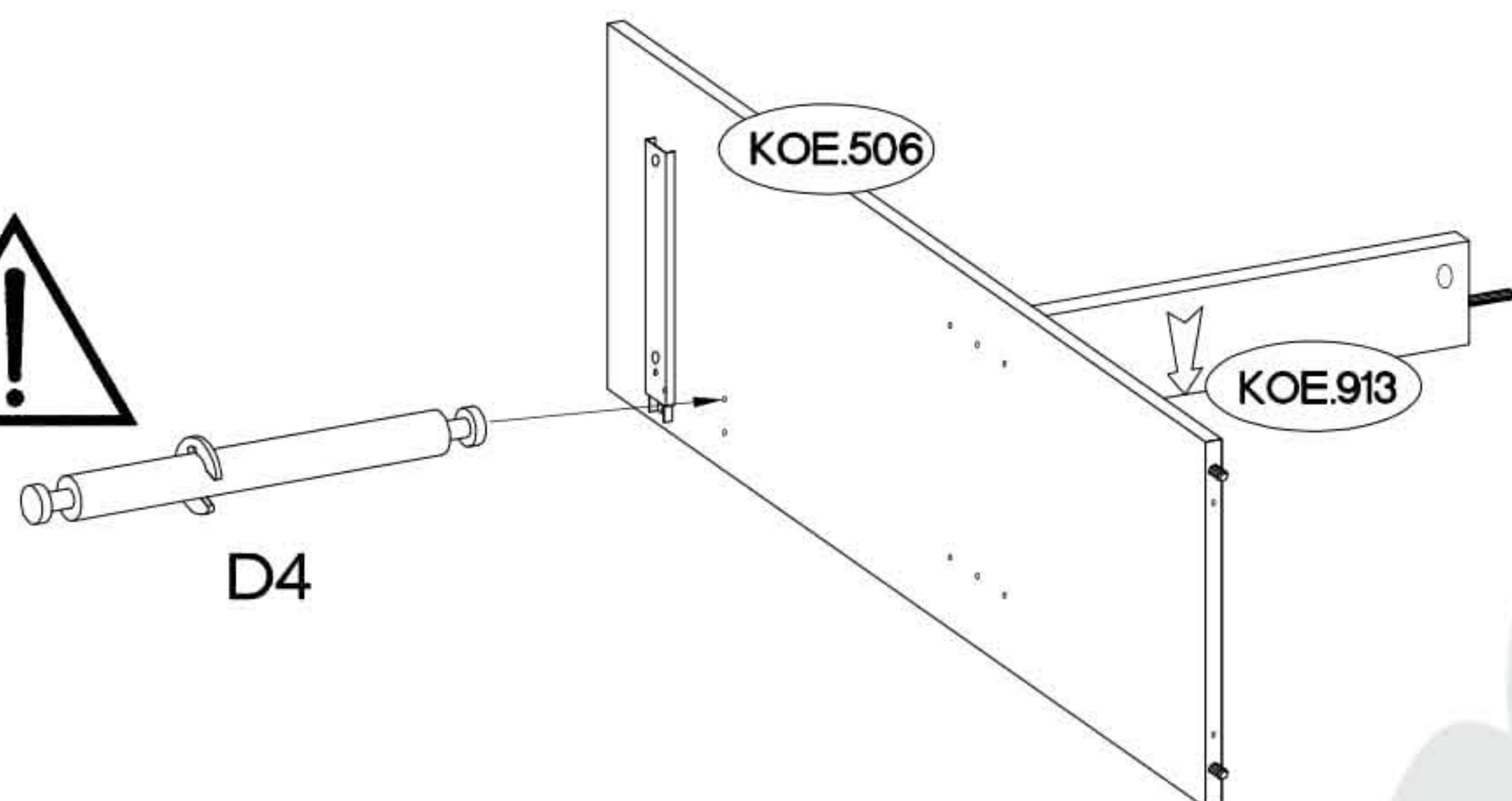
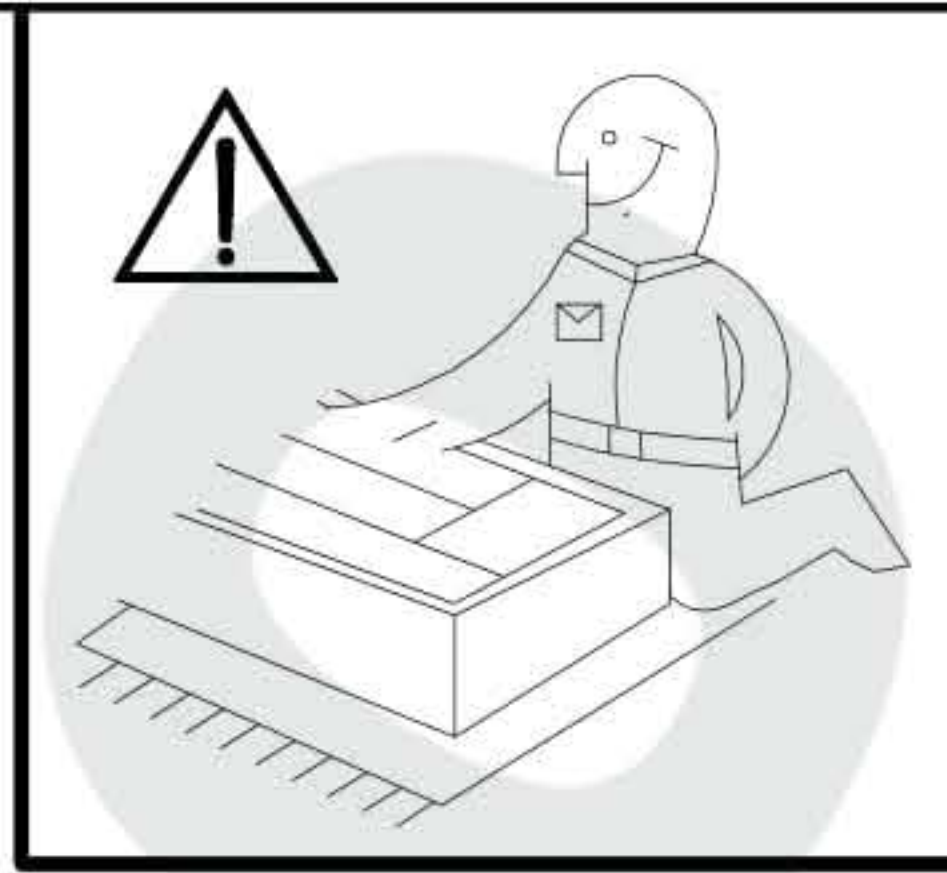
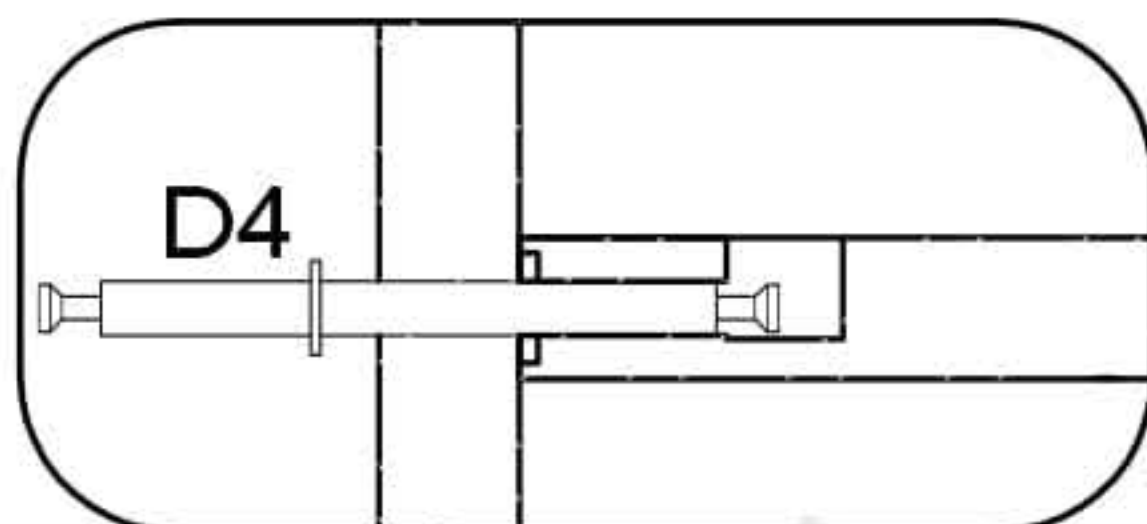
9

L=56mm

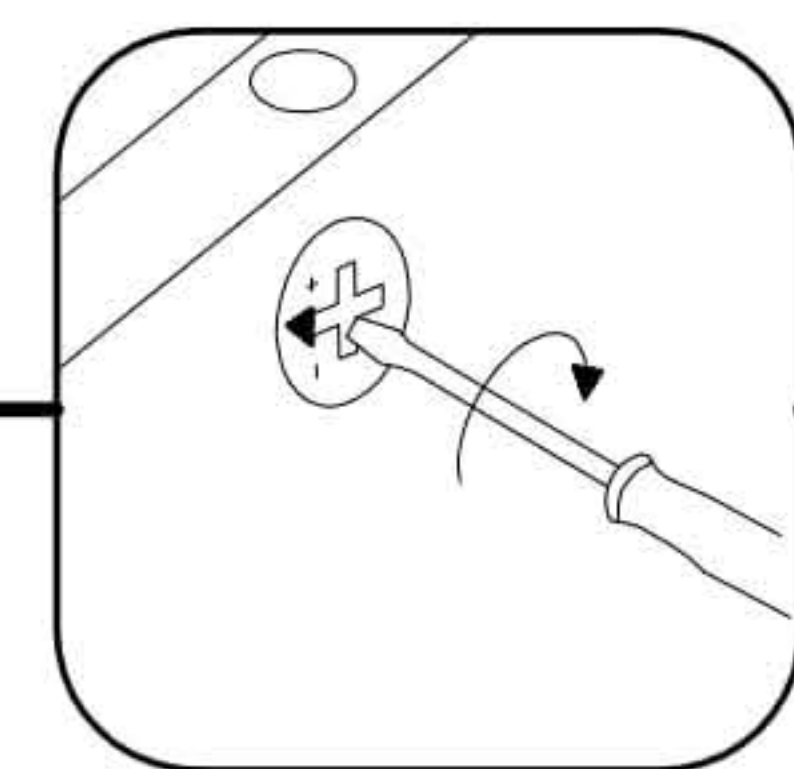
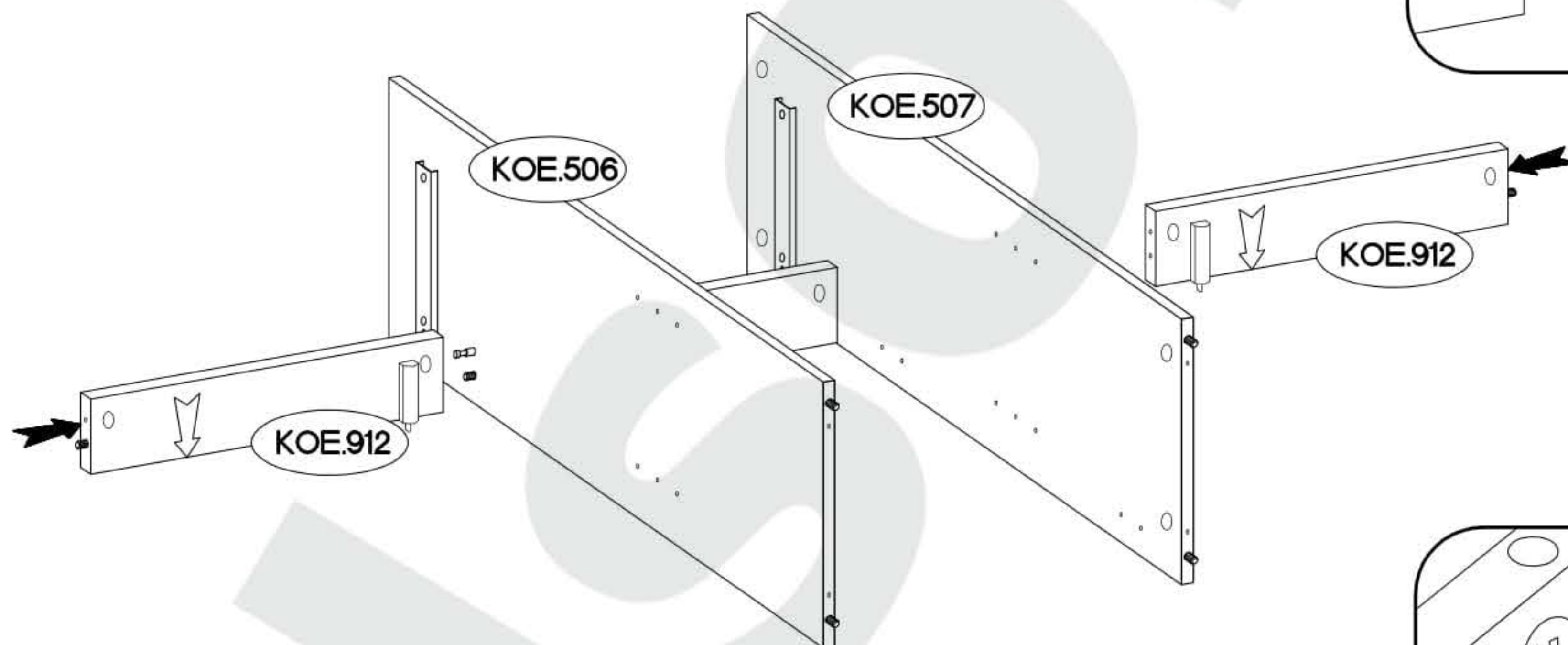


D4

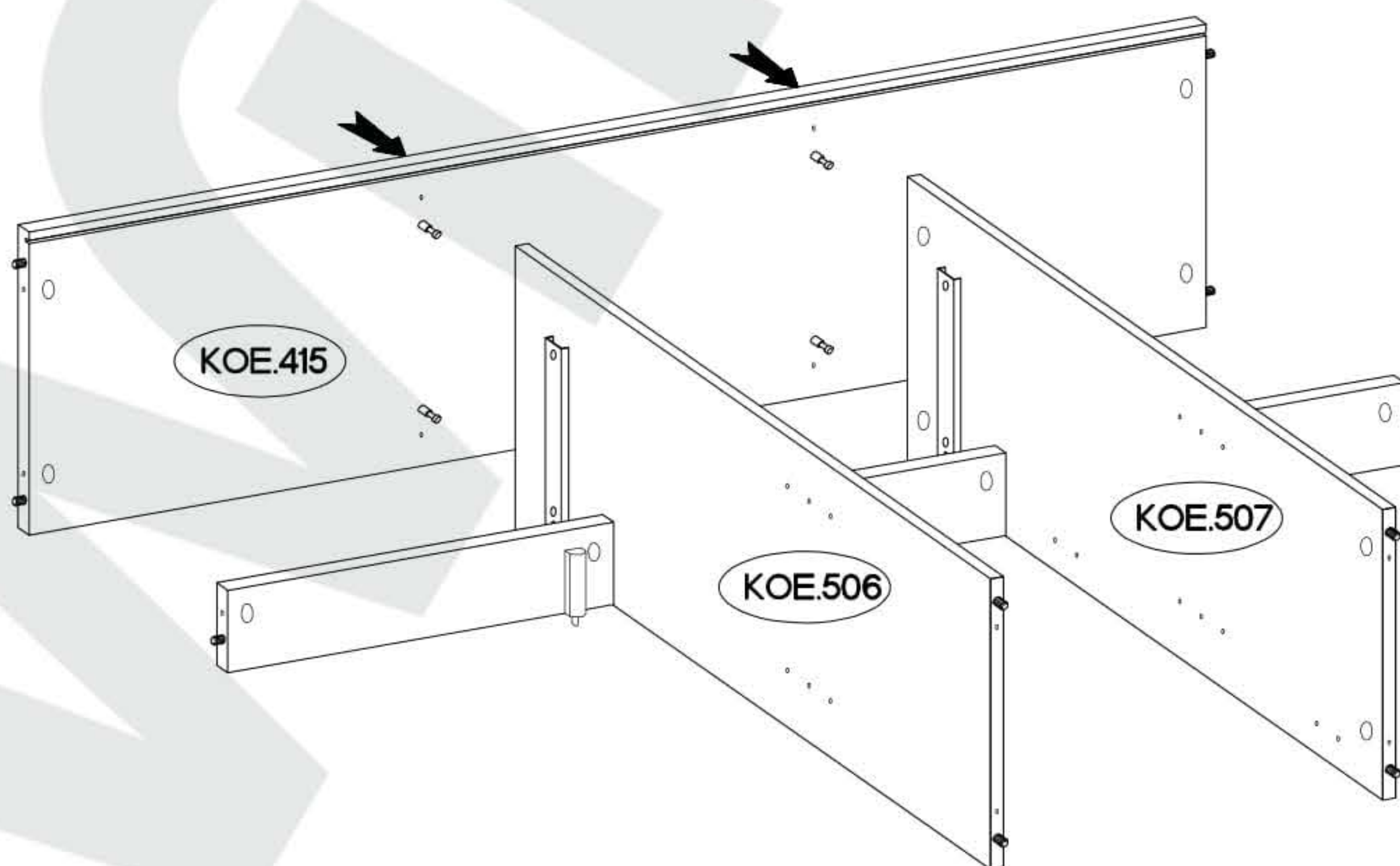
2



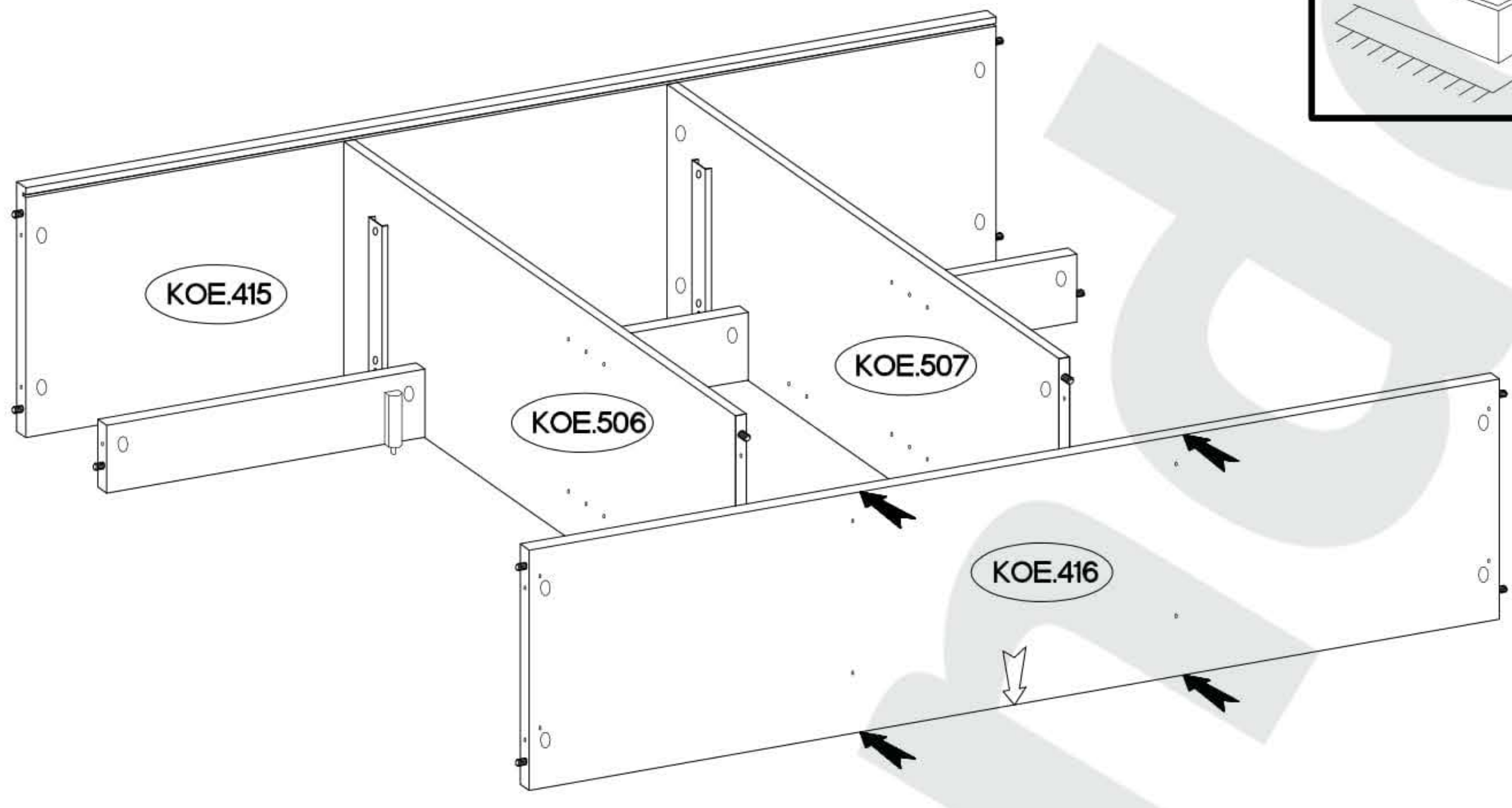
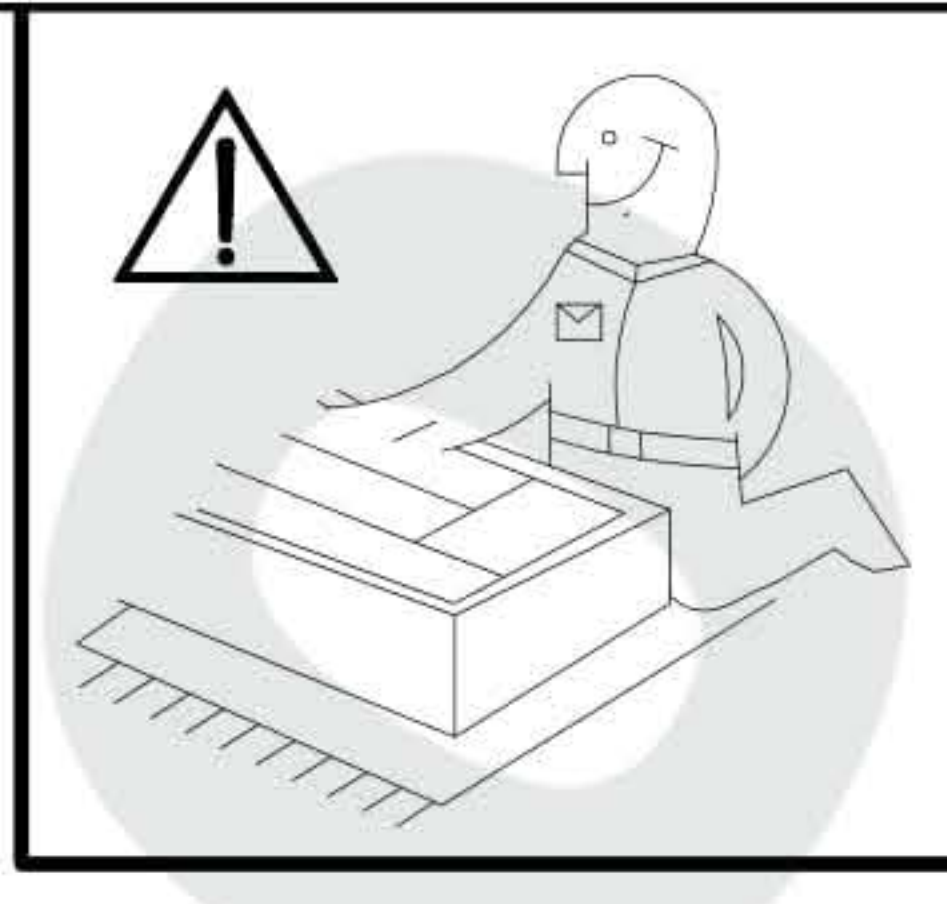
10



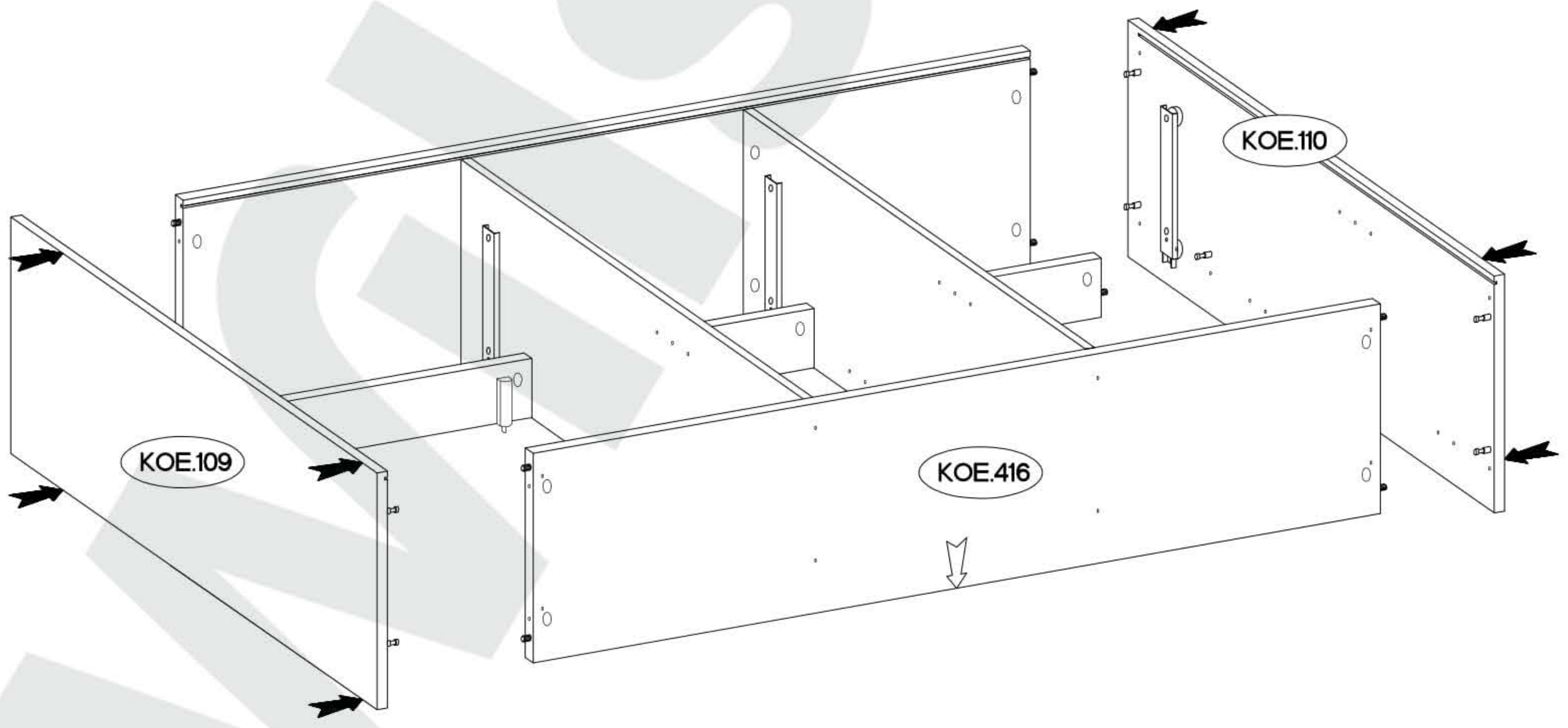
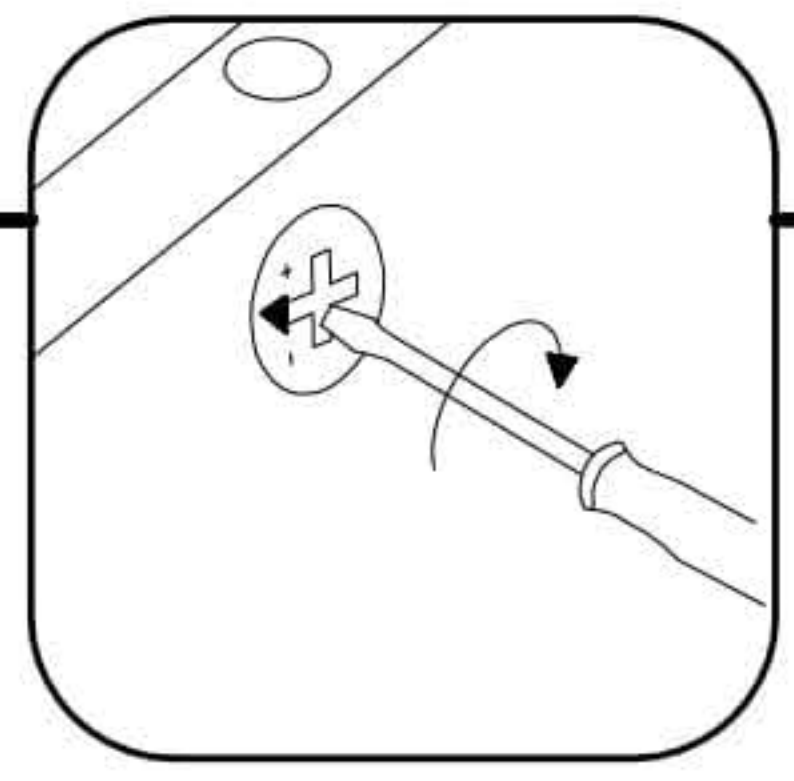
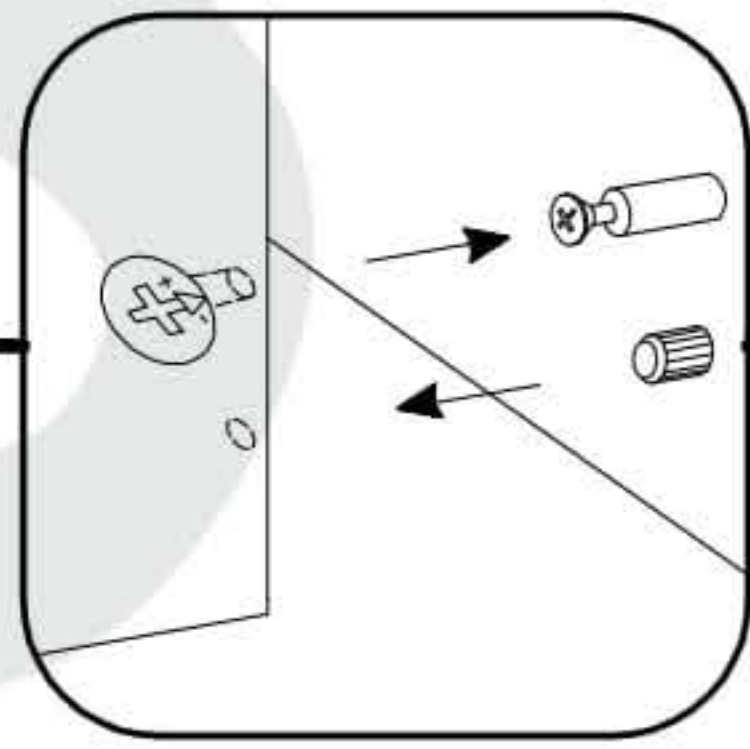
11


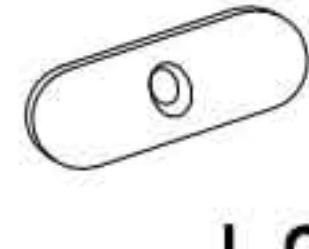
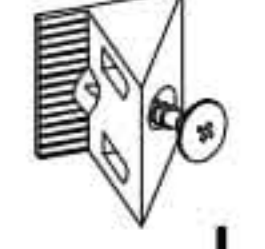


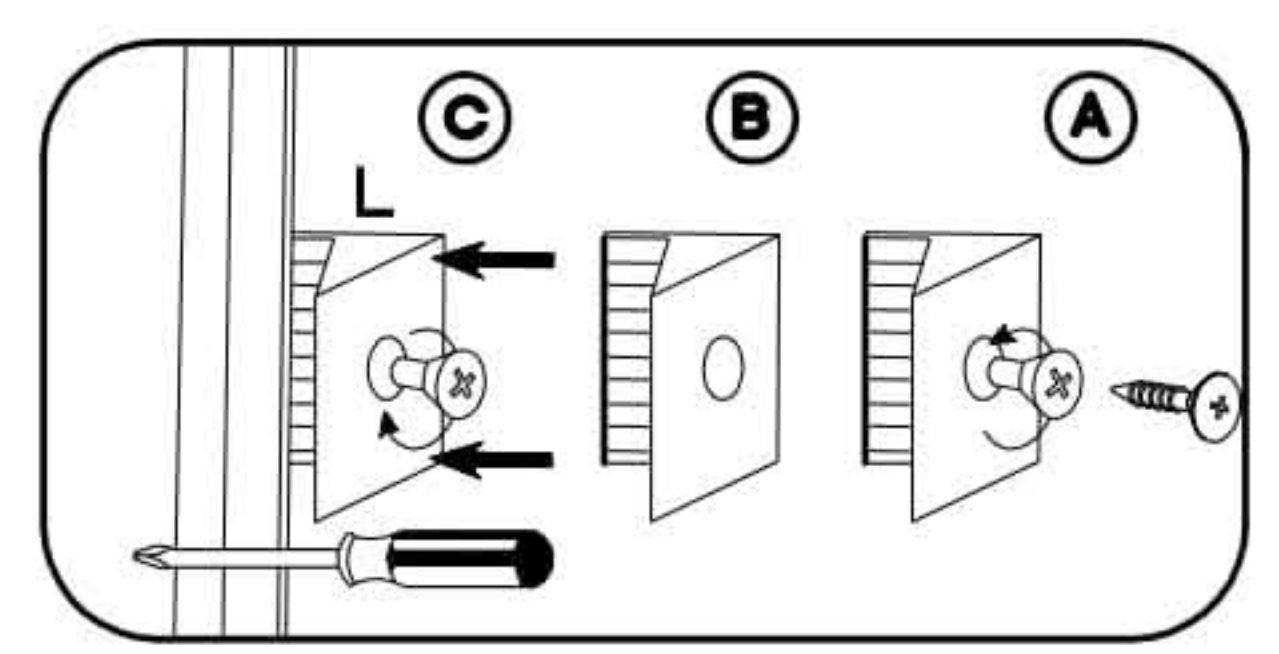
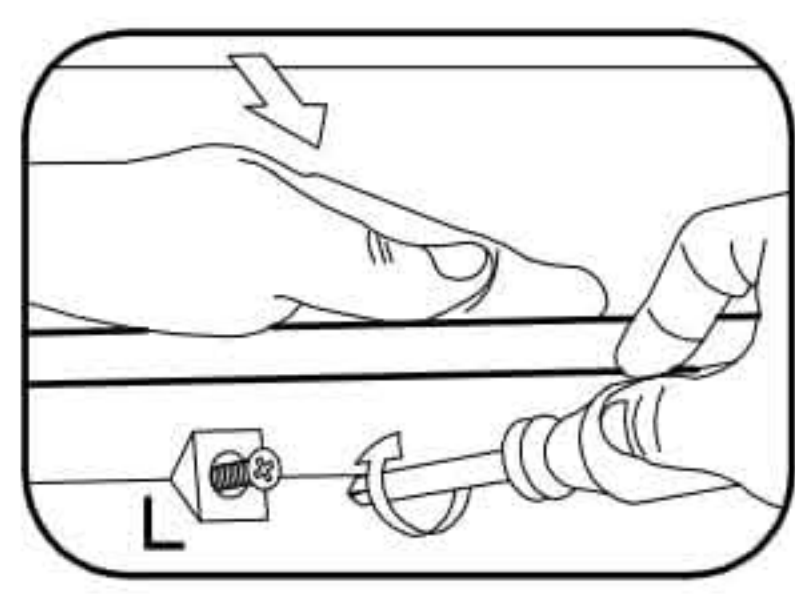
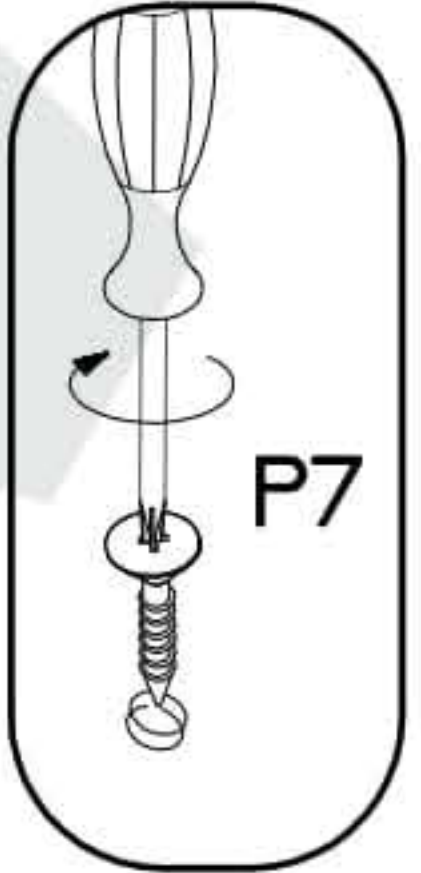
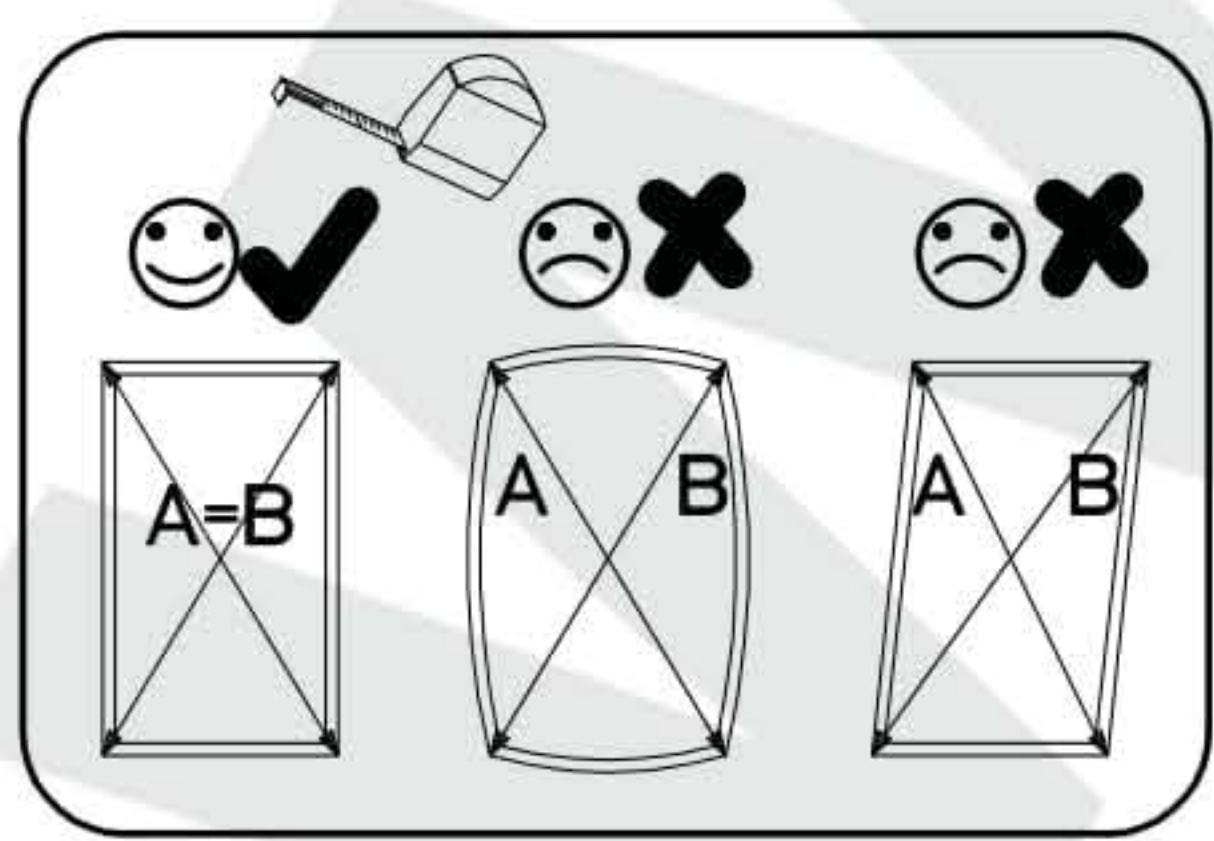
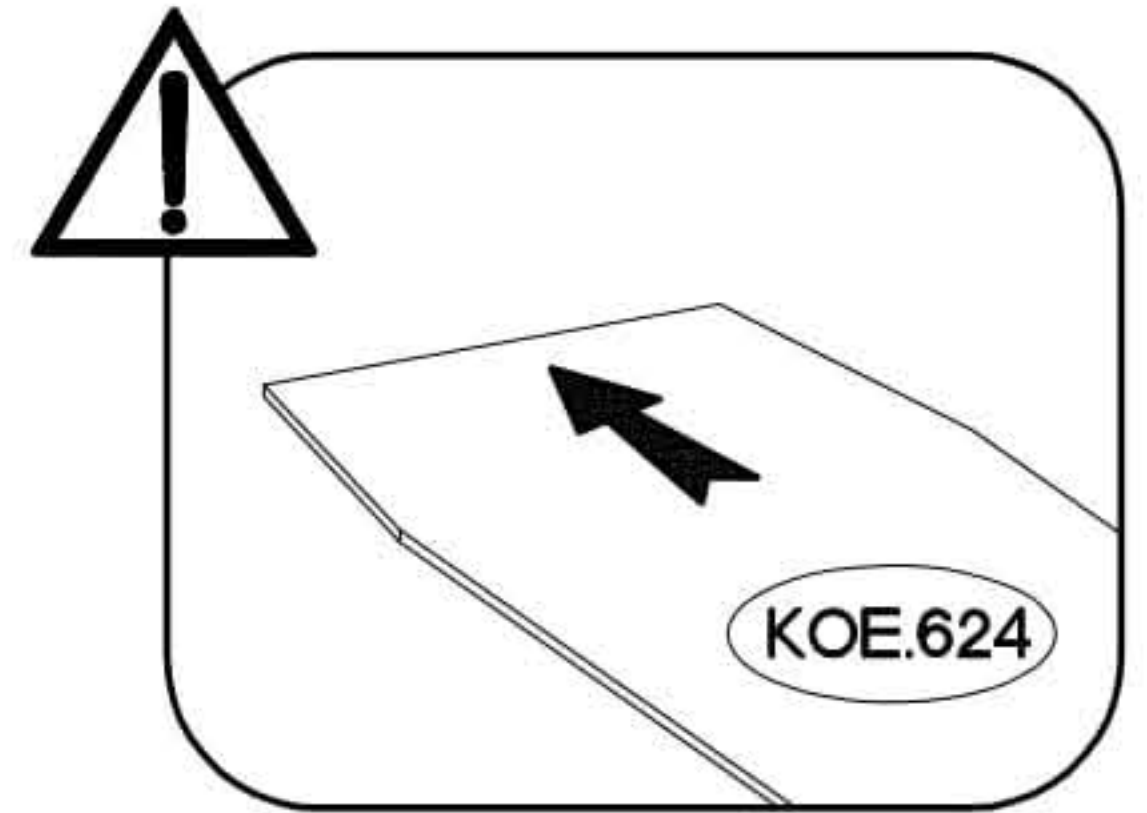
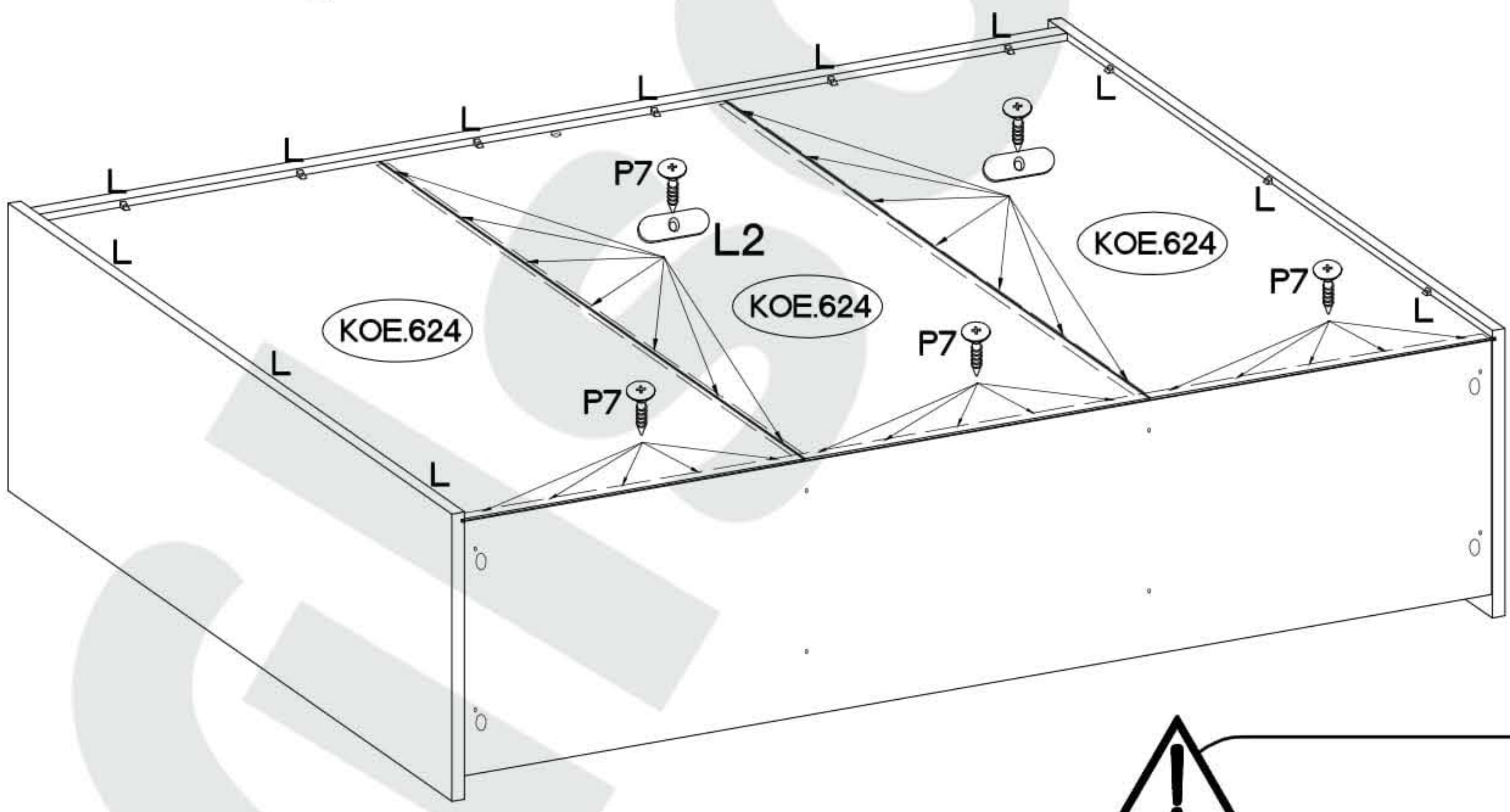
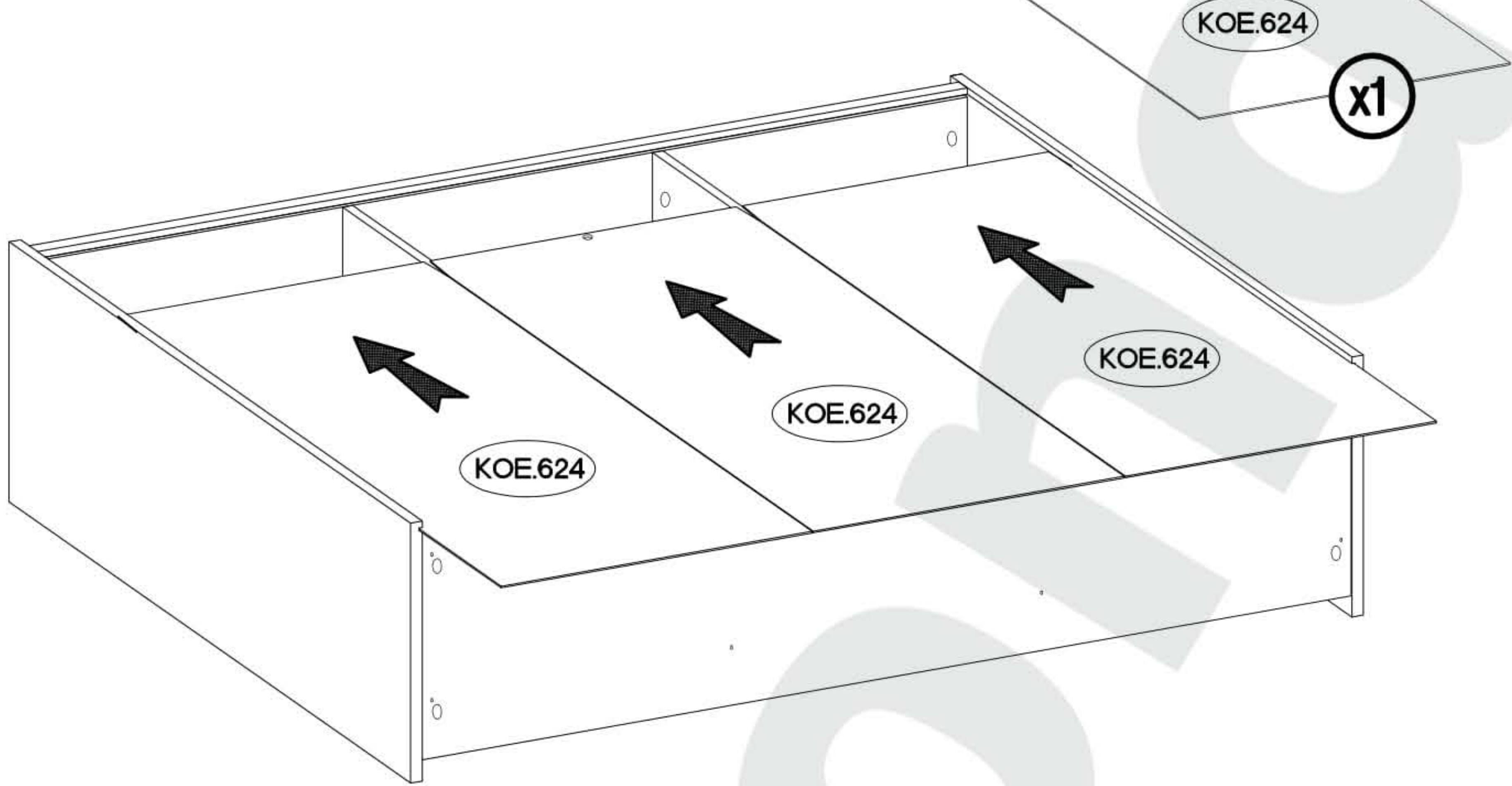
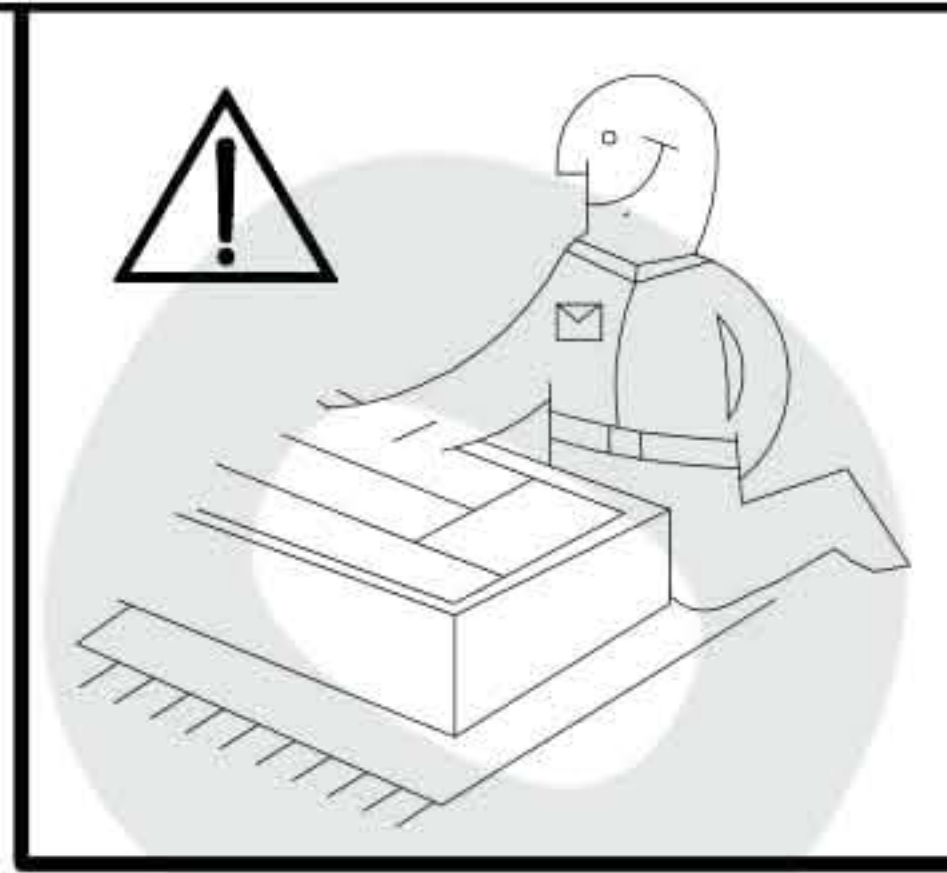
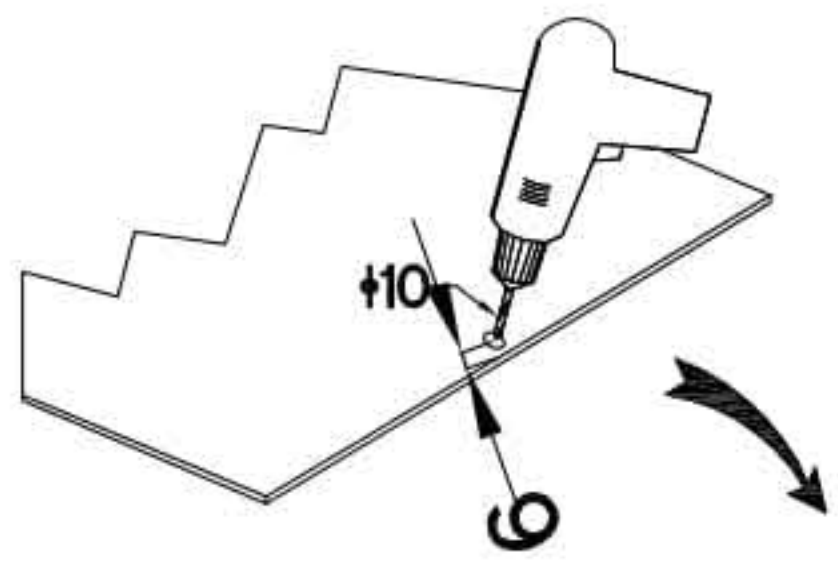
12





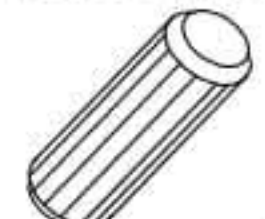
13

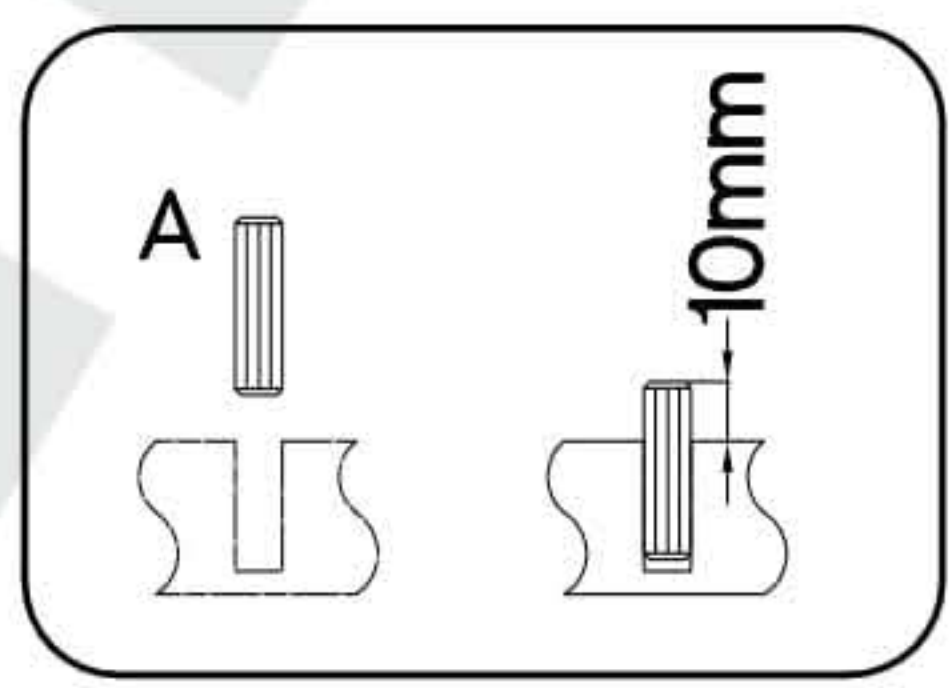
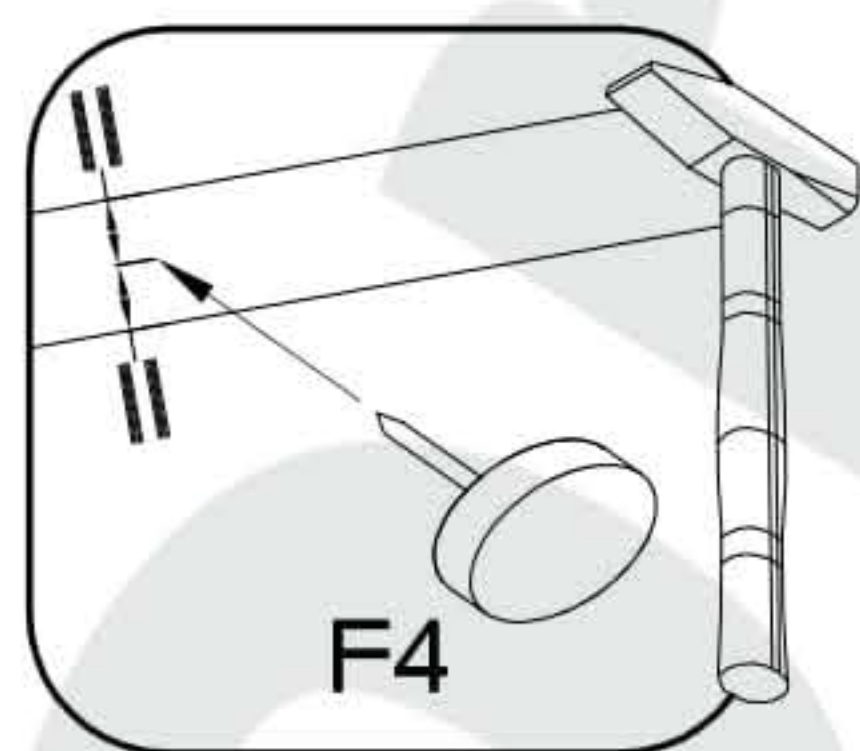
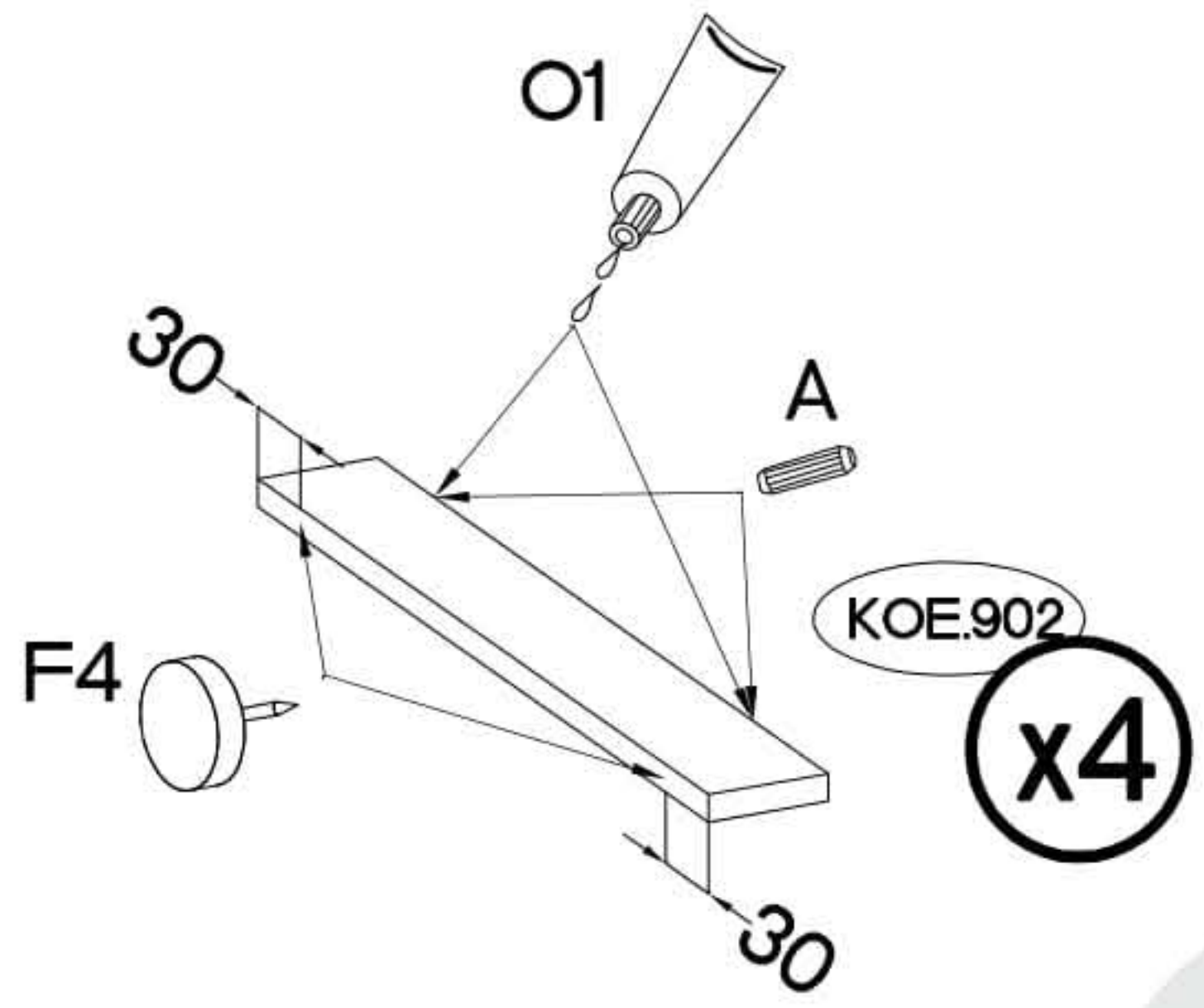
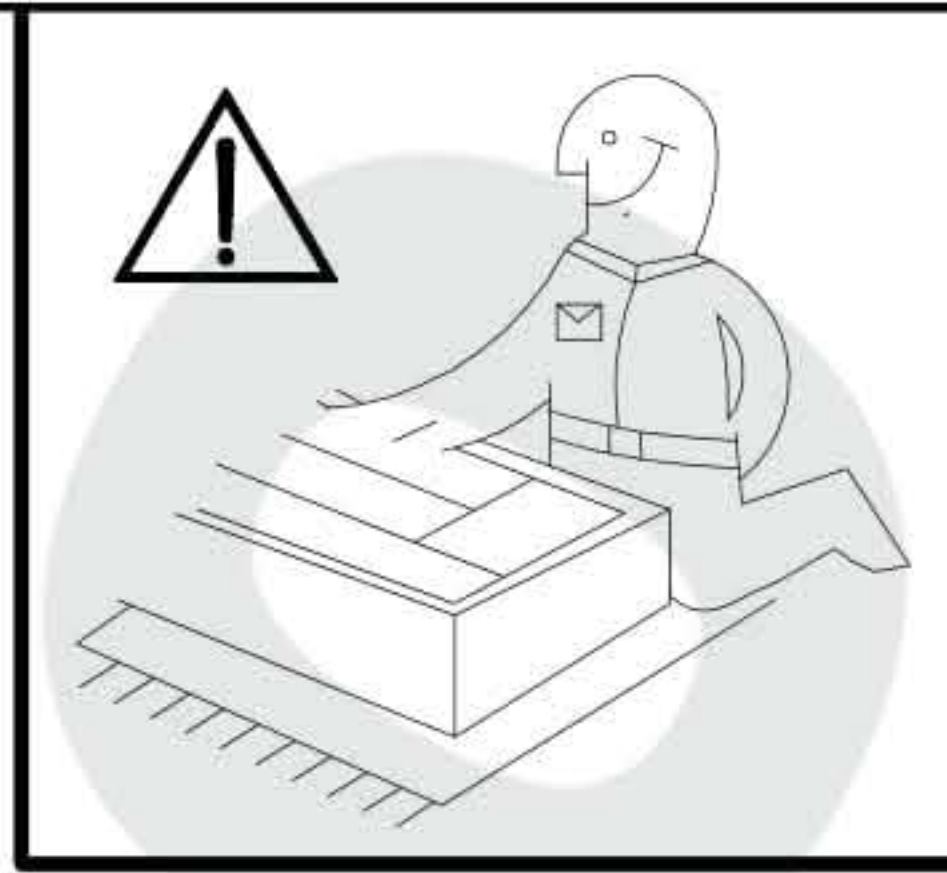


3.0x20mm		
		
P7	L2	L
30	14	12

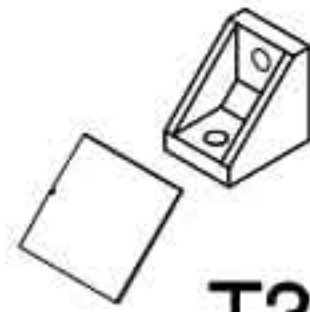



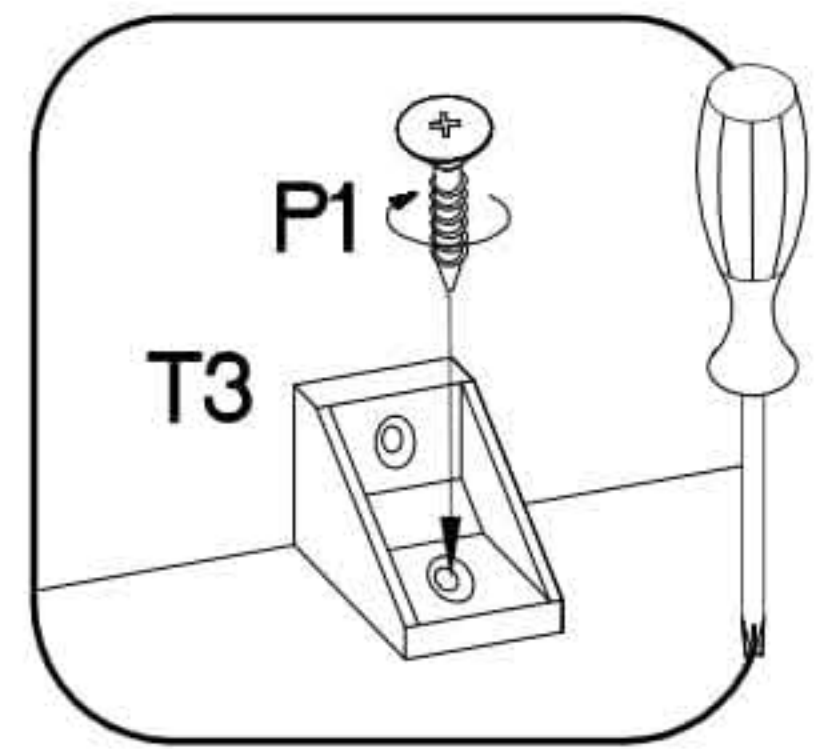
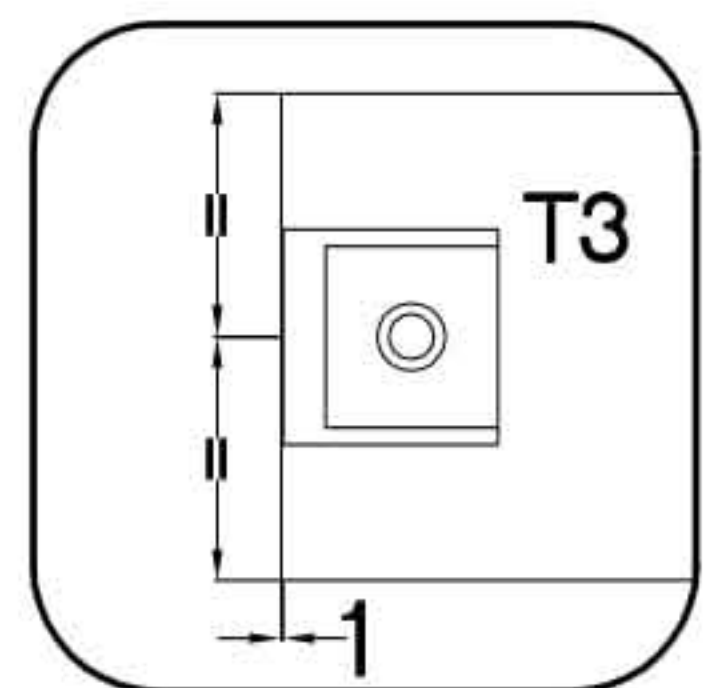
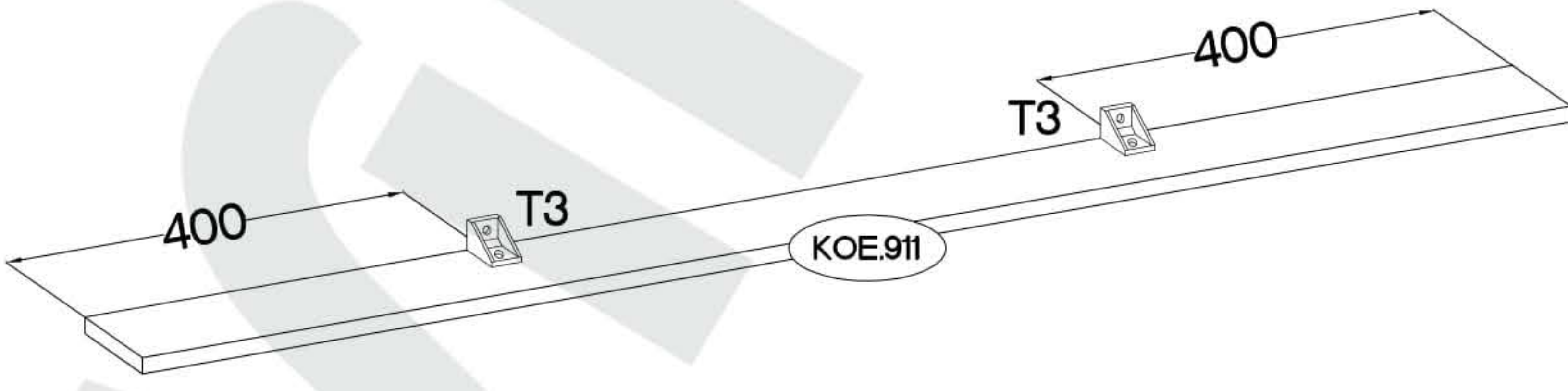
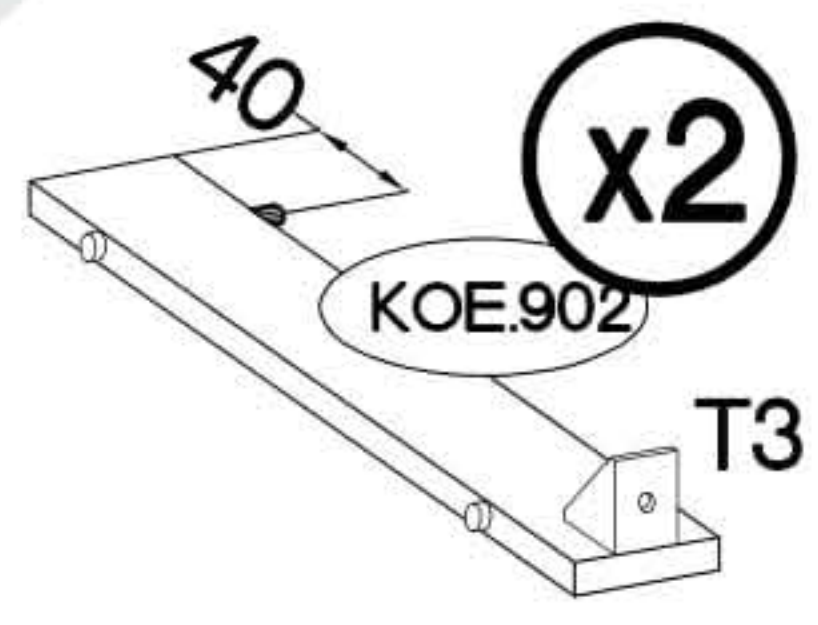
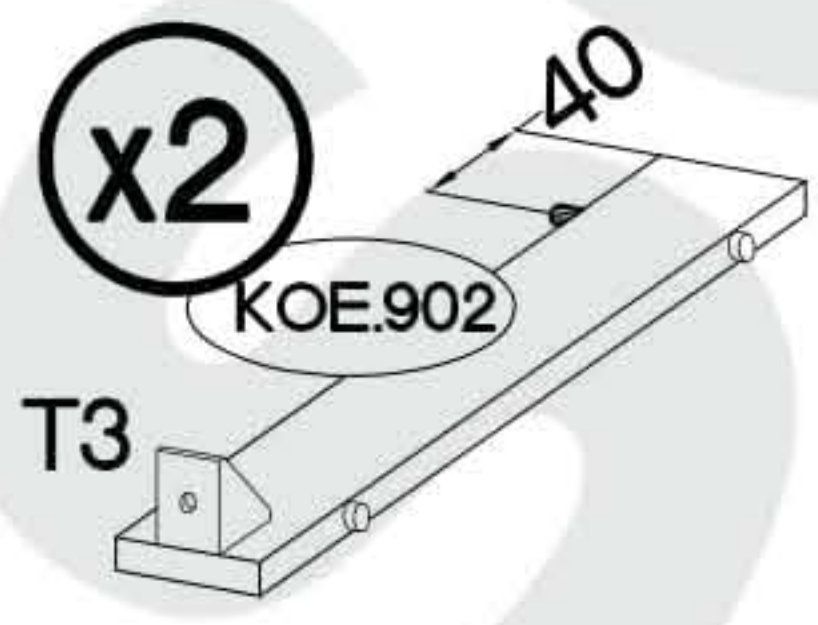
15

†15x5mm  F4 8	†8x30mm  O1 1	†8x30mm  A 8
---	---	--

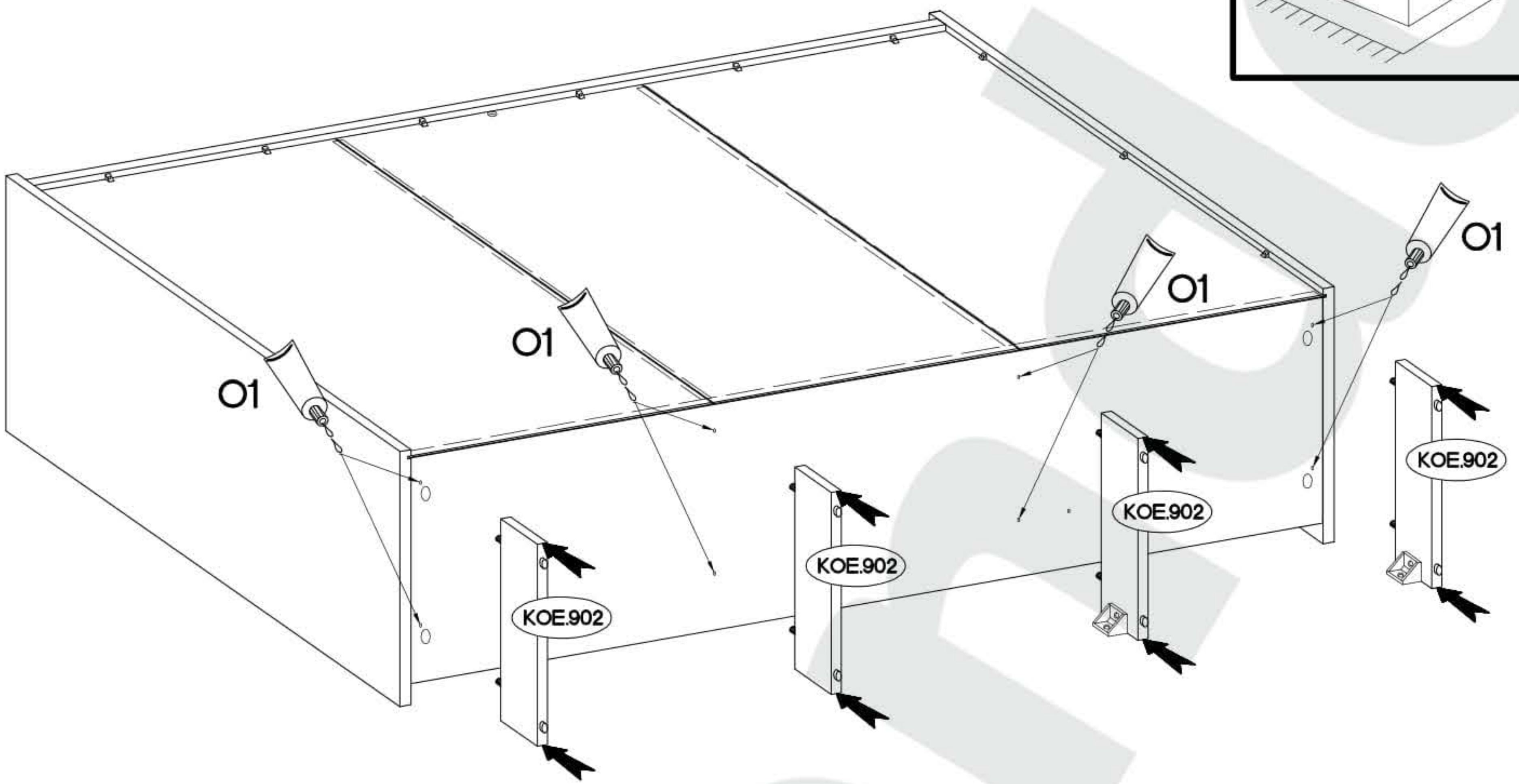
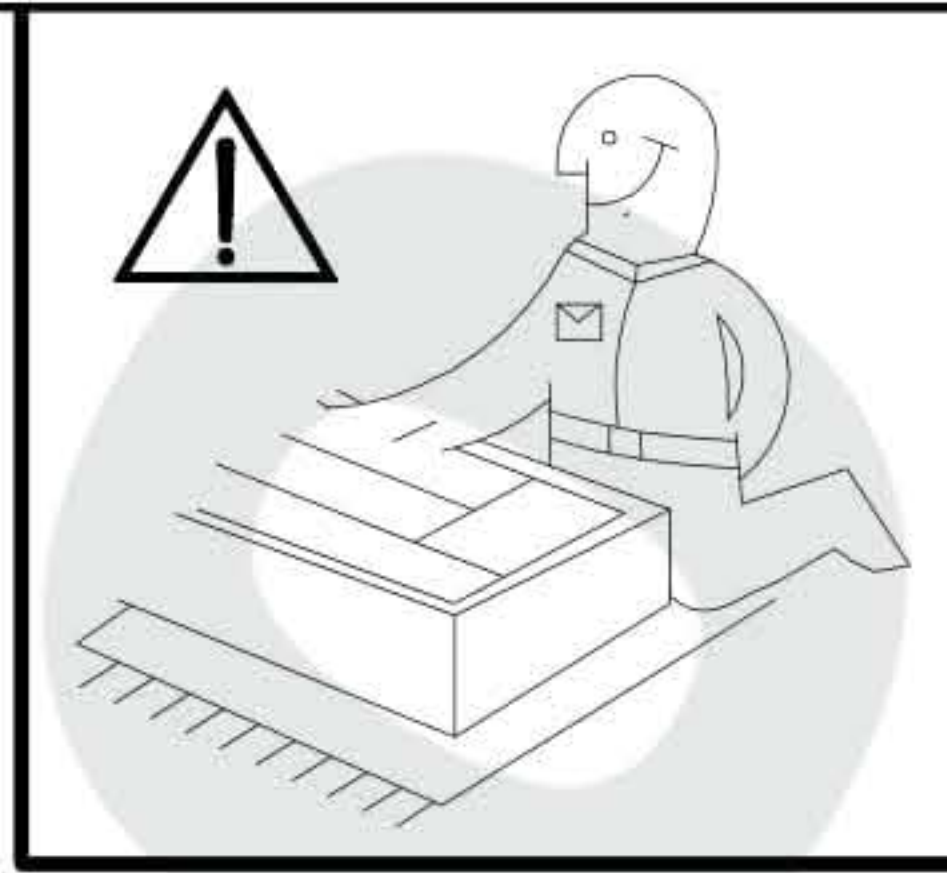
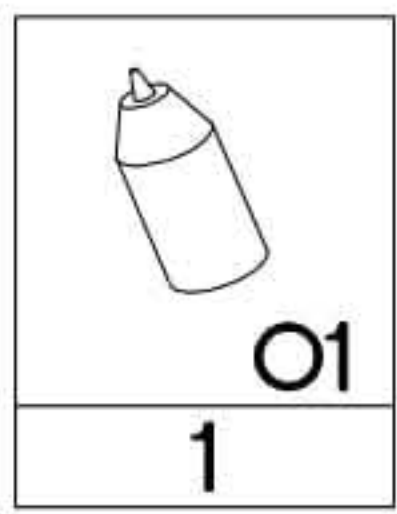


16

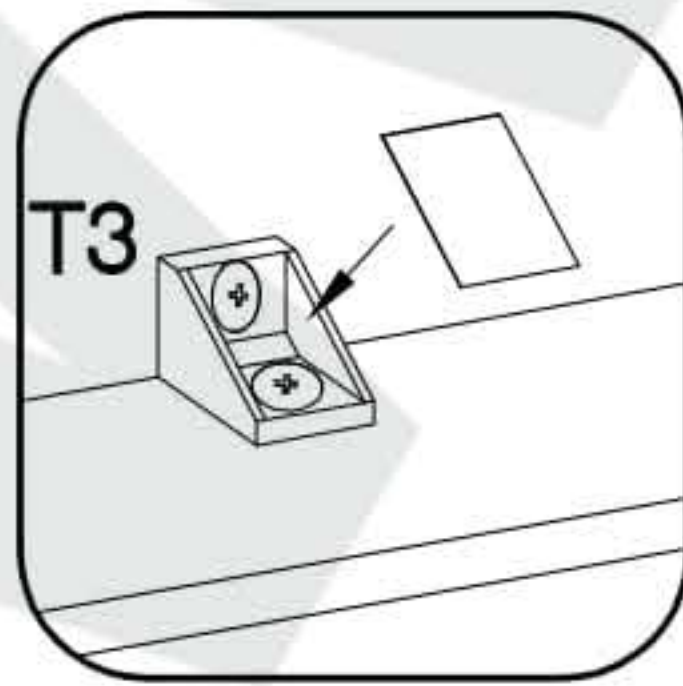
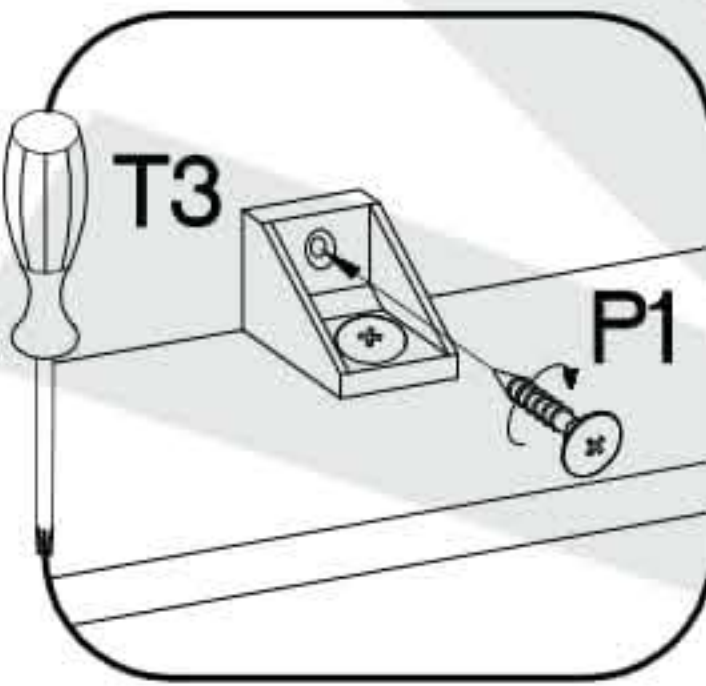
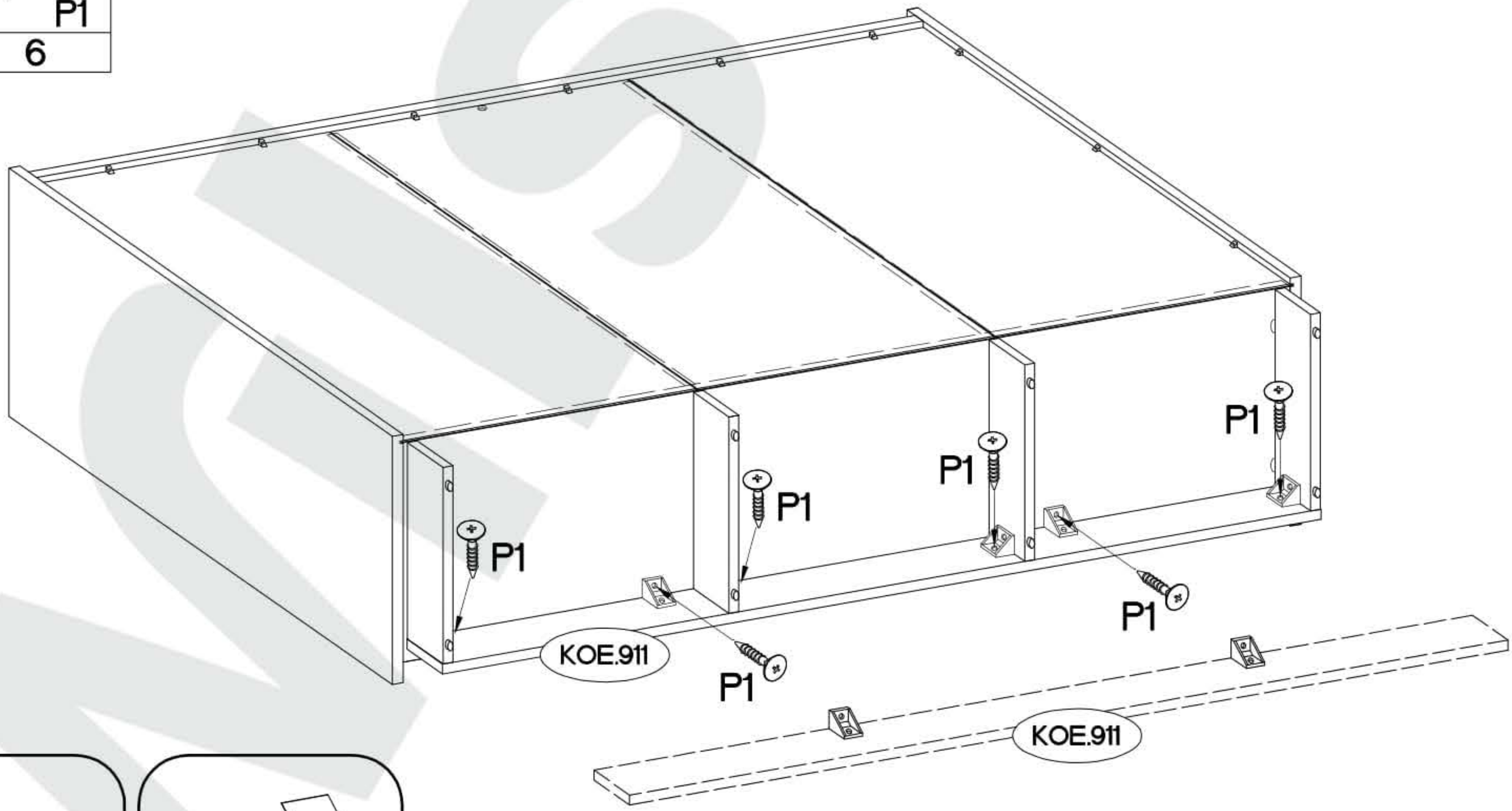
 T3 6	†4.0x16mm  P1 6
---	--

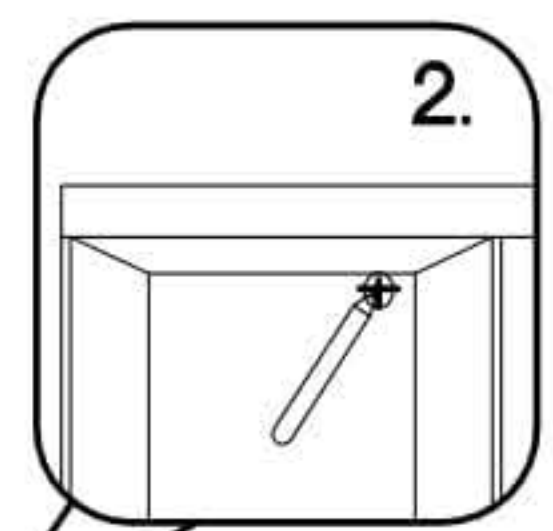





17

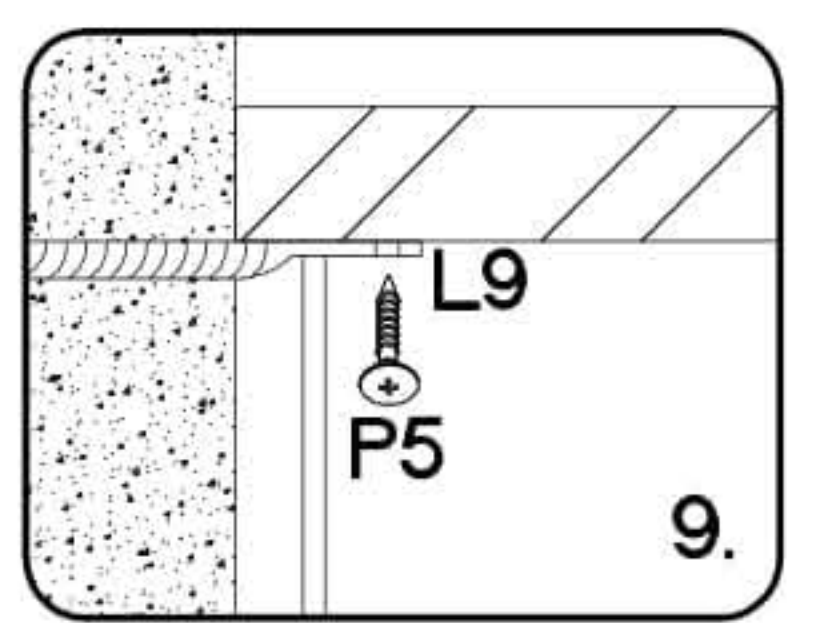
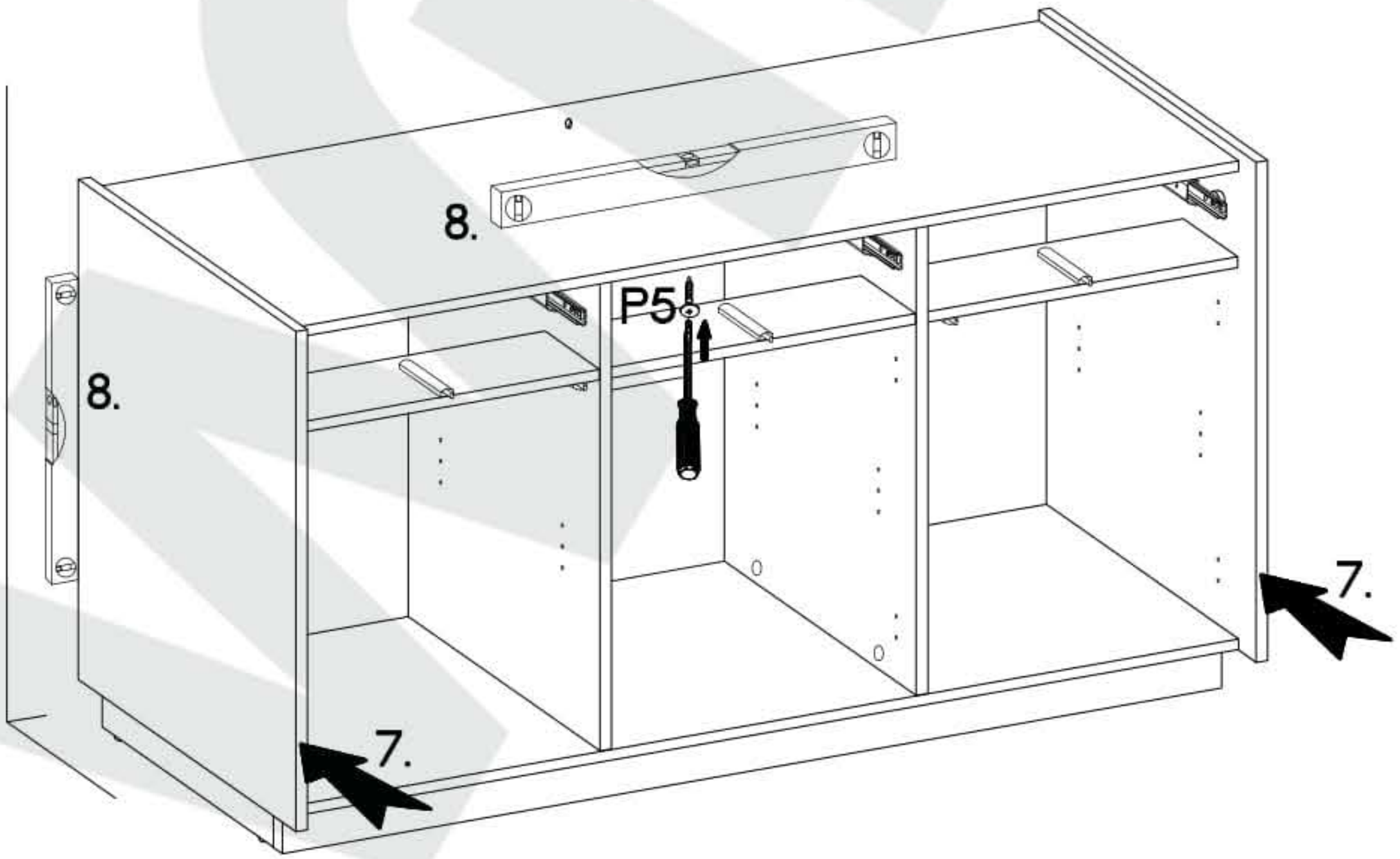
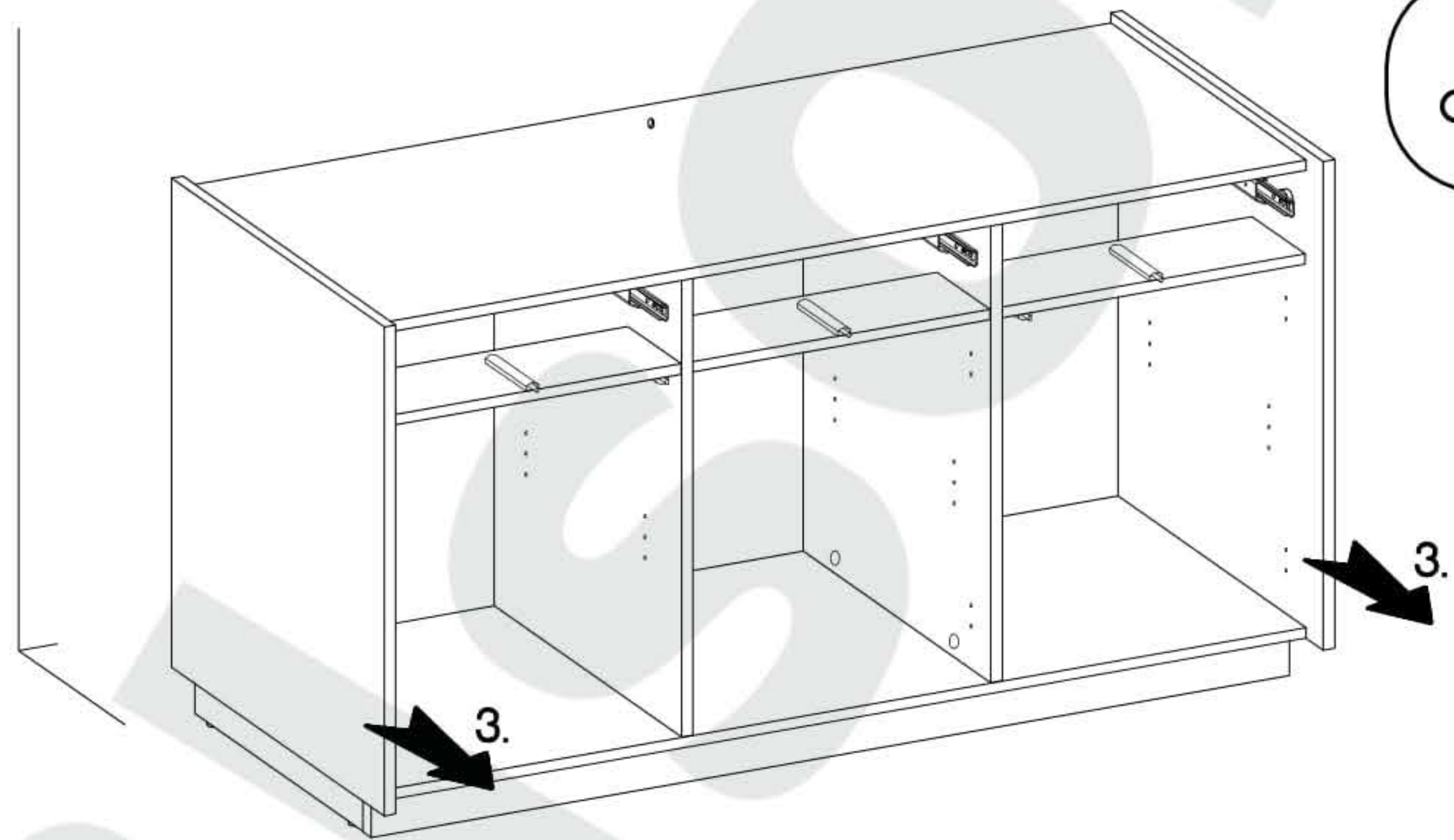
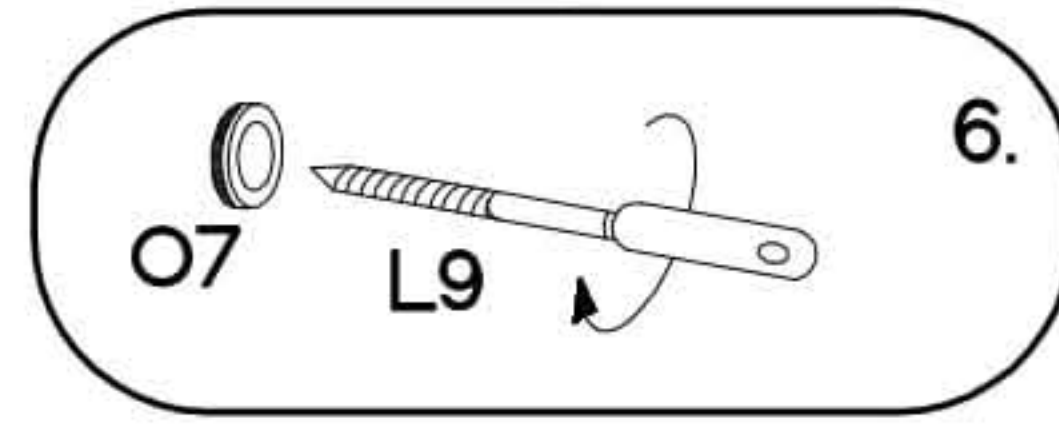
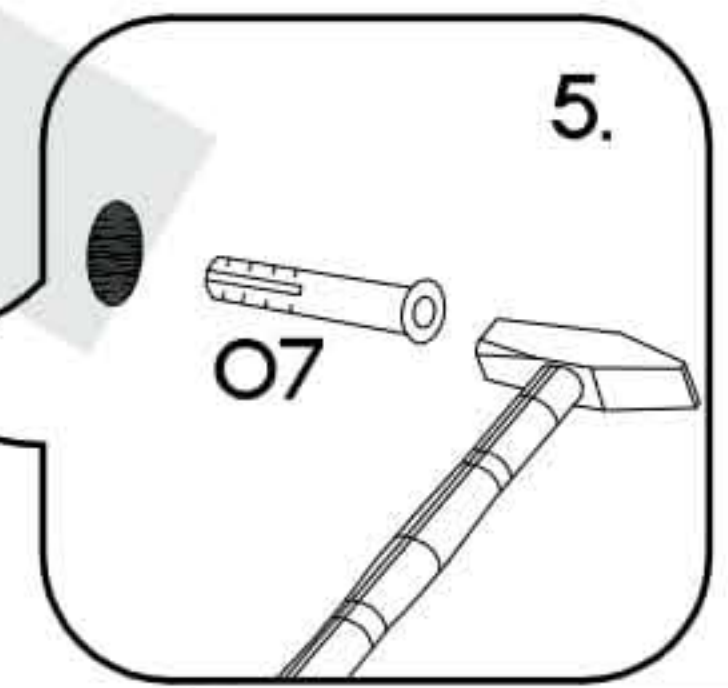
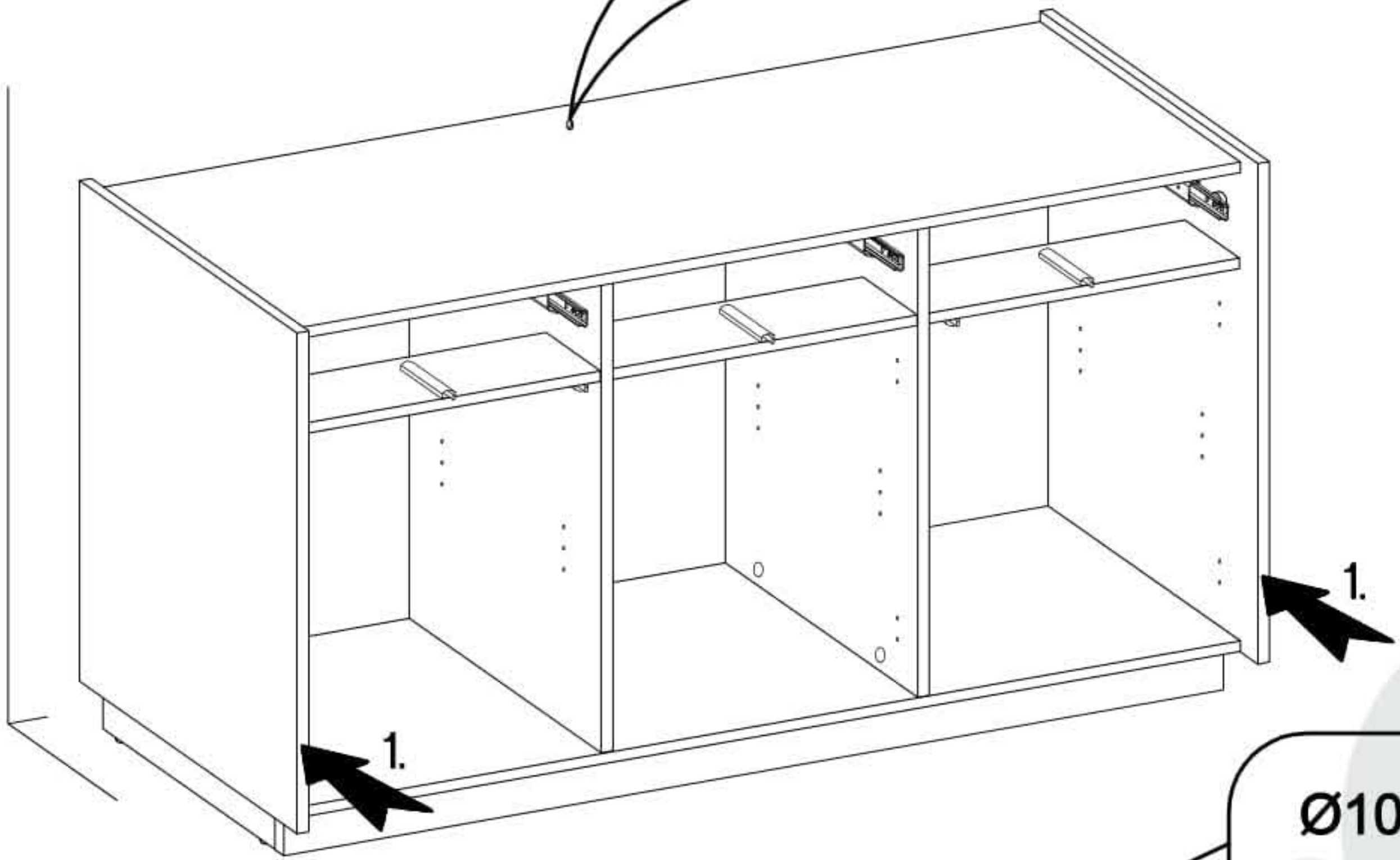
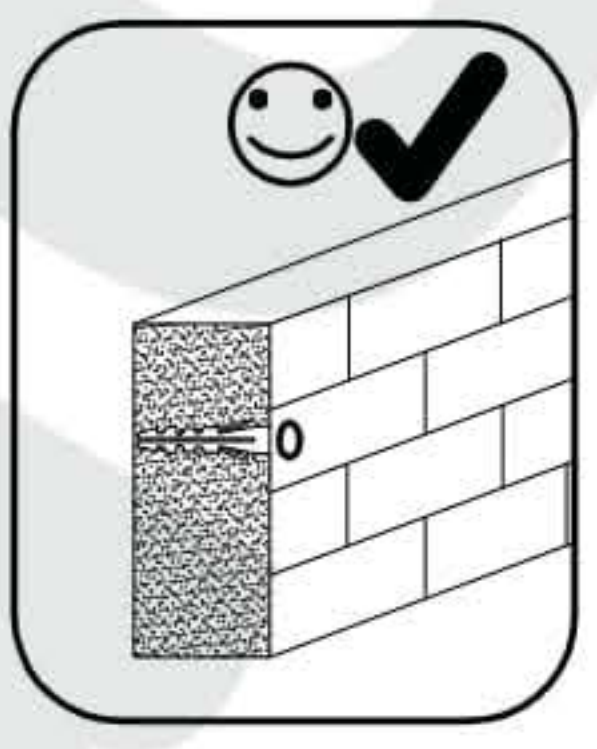




18

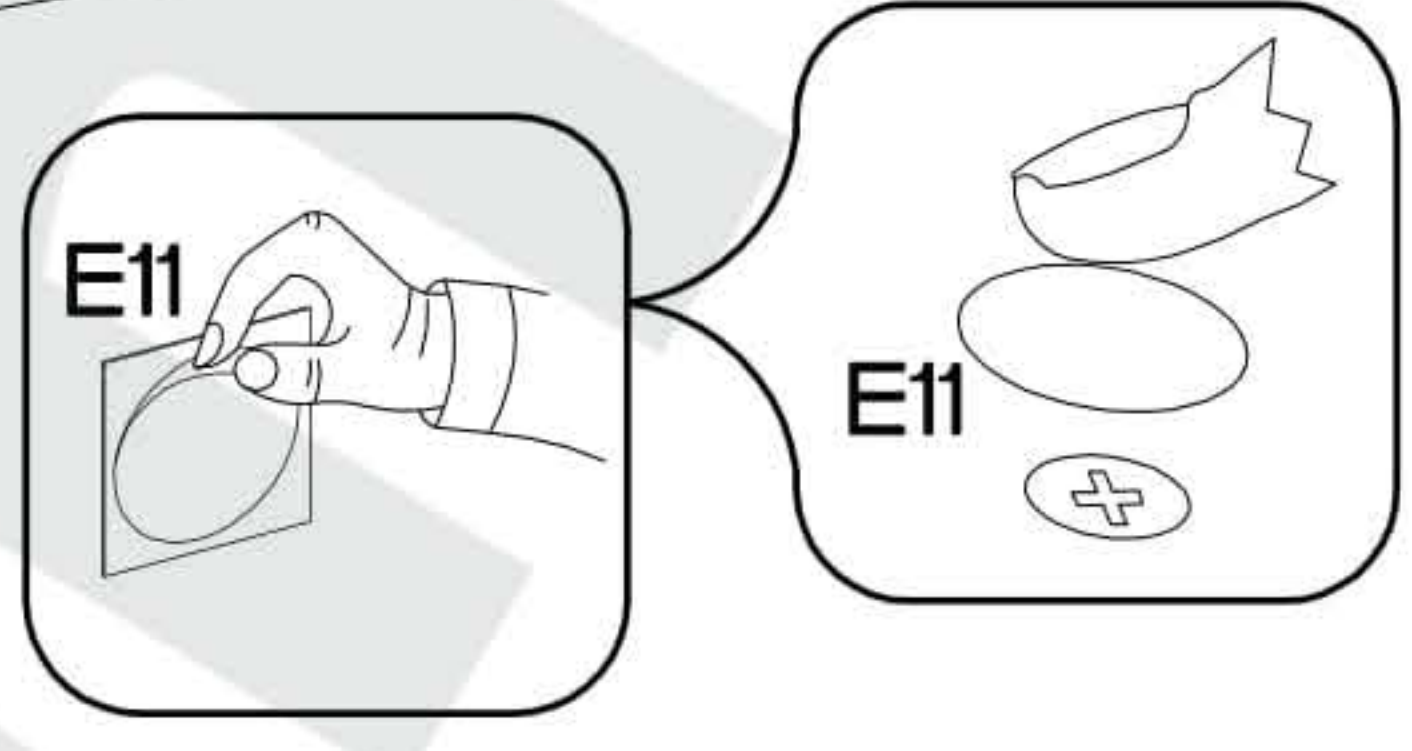
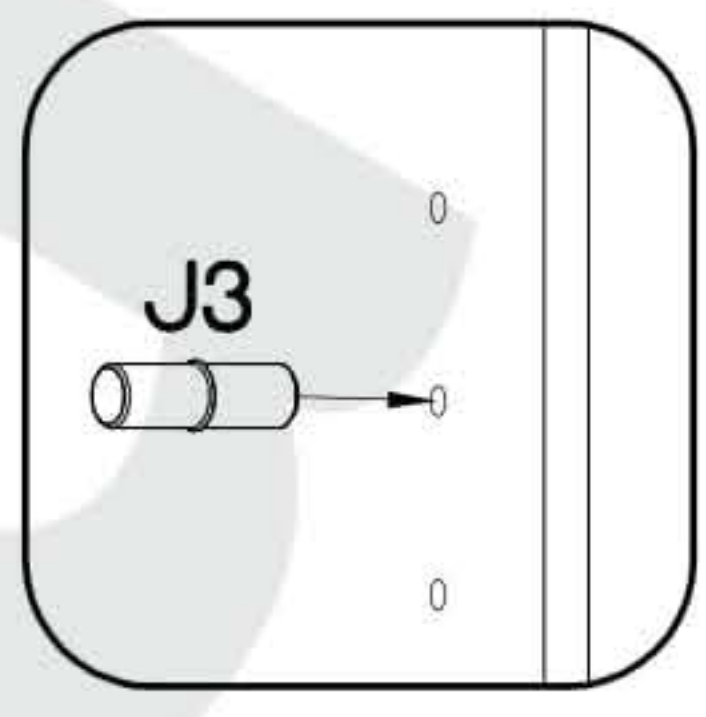
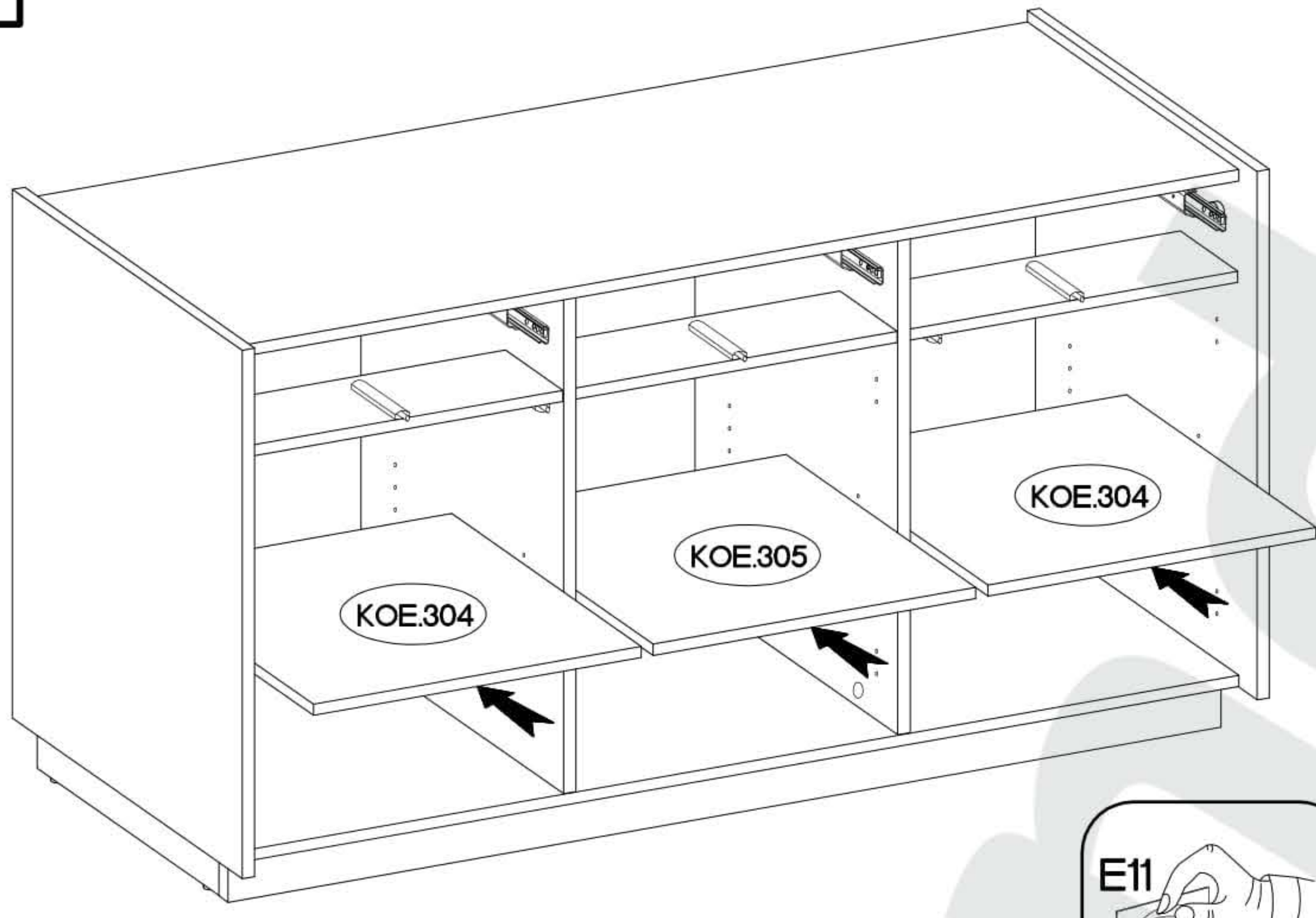





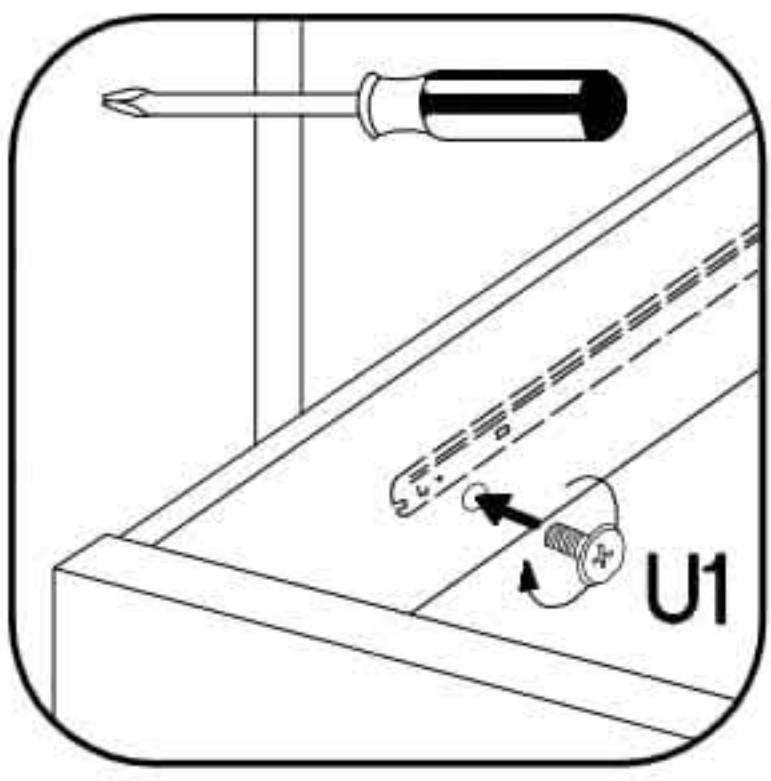
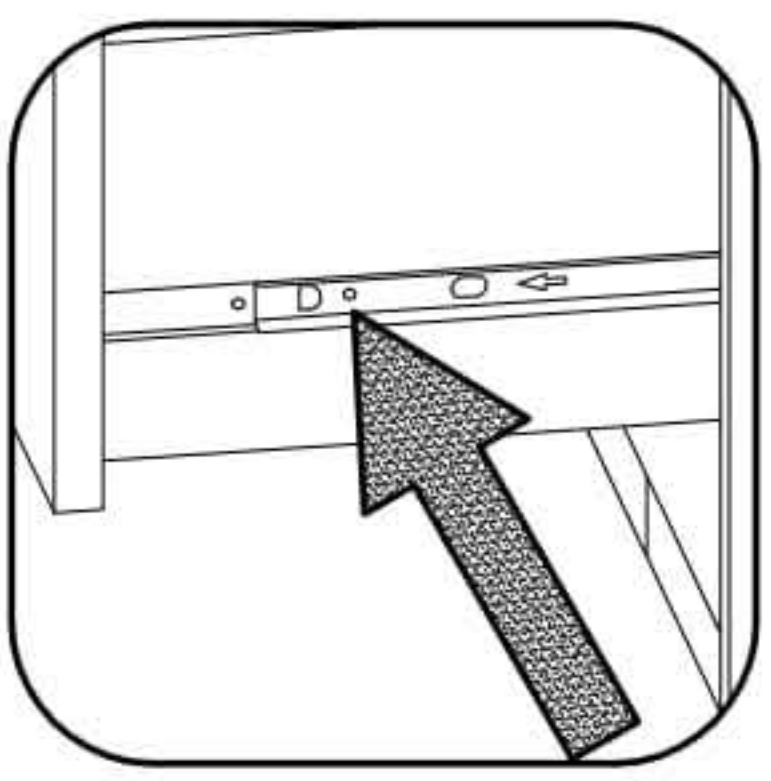
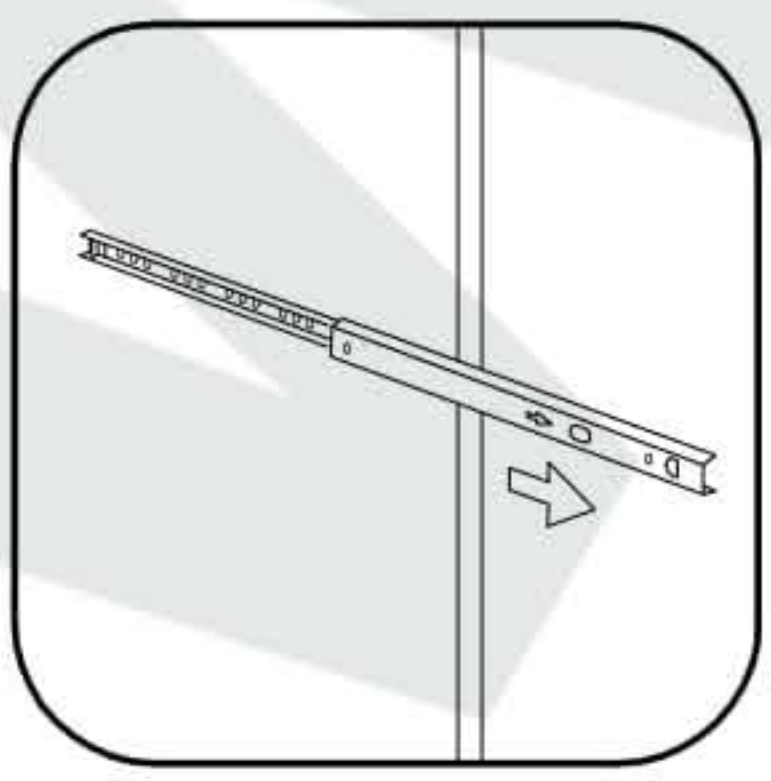
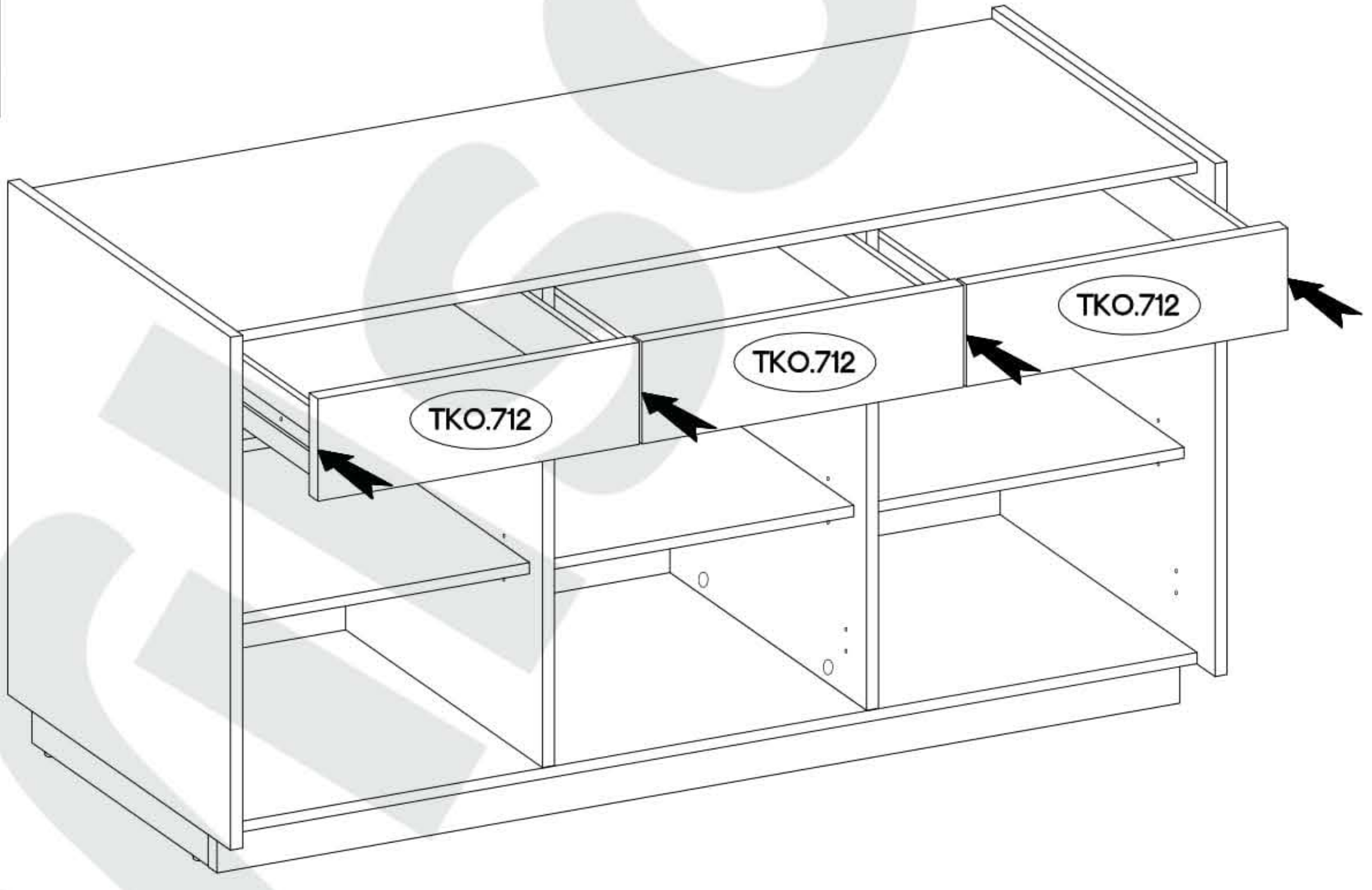
†10x50mm 		†3.5x13mm 
O7 1	L9 1	P5 1

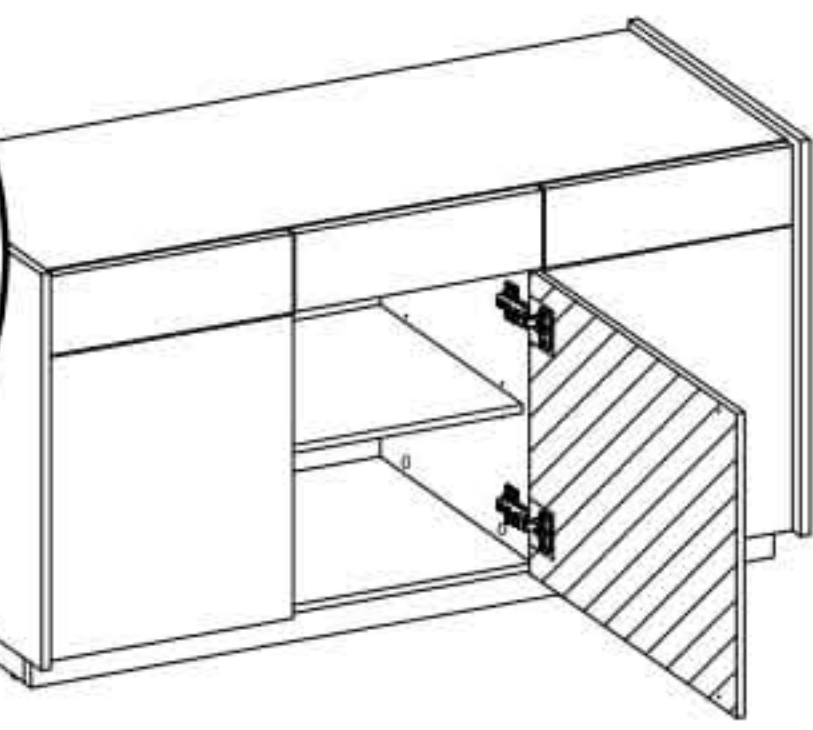


+5/16mm  J3 12	+20  E11 10
--	---



M4x9mm  U1 6
--





	$\dagger 35/16\text{mm}$ 	$\dagger 35/9\text{mm}$ 	$\dagger 3.5 \times 13\text{mm}$ 	$\dagger 20$
L33	HG2	HG1	P5	E11
3	4	2	12	3

