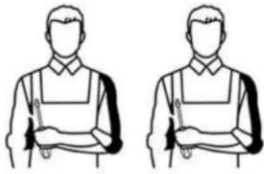










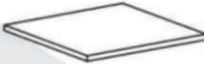
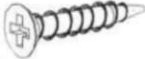






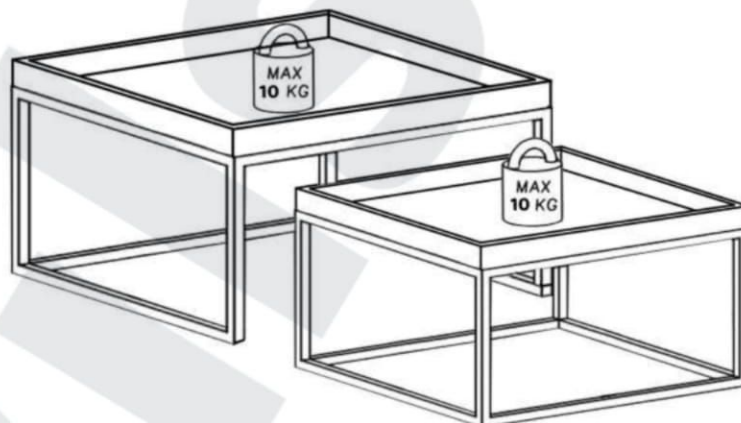
LABO



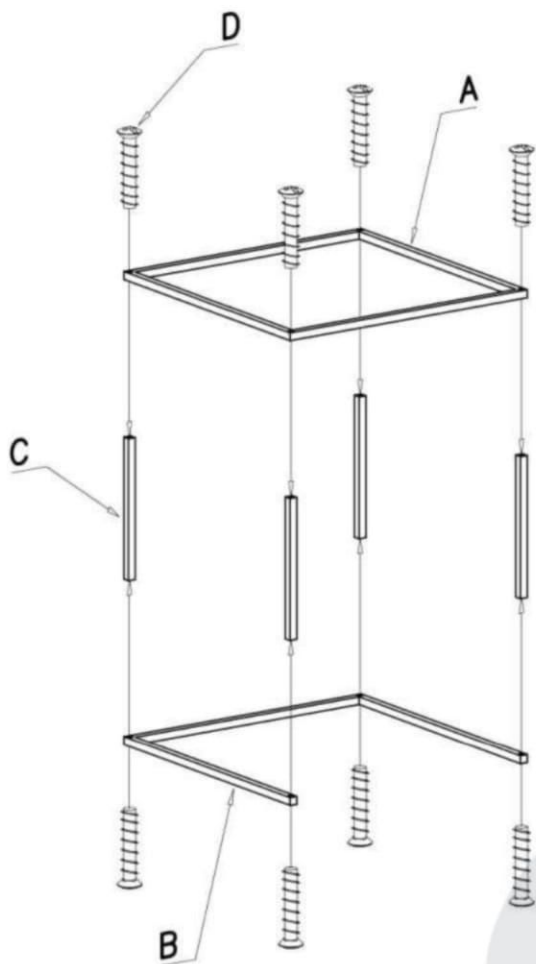
30 min



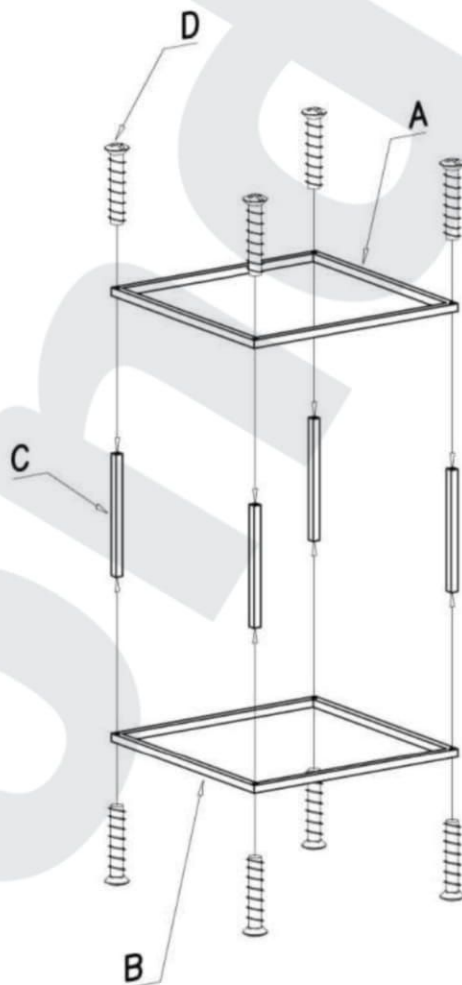
A  x1	B  x1	C  x4	A  x1	B  x1	C  x4
D  x16	E  x1	F  x16	G  x1	H  x1	Z  x8
X  x2	Y  x2	S  x2	T  x2		



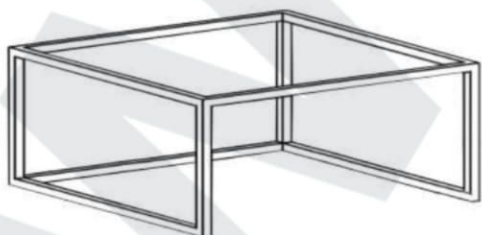
1



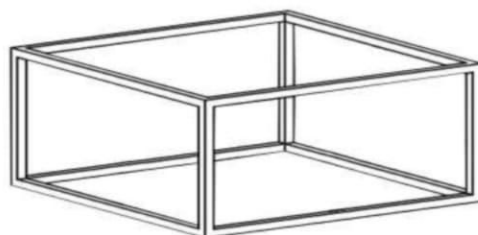
1



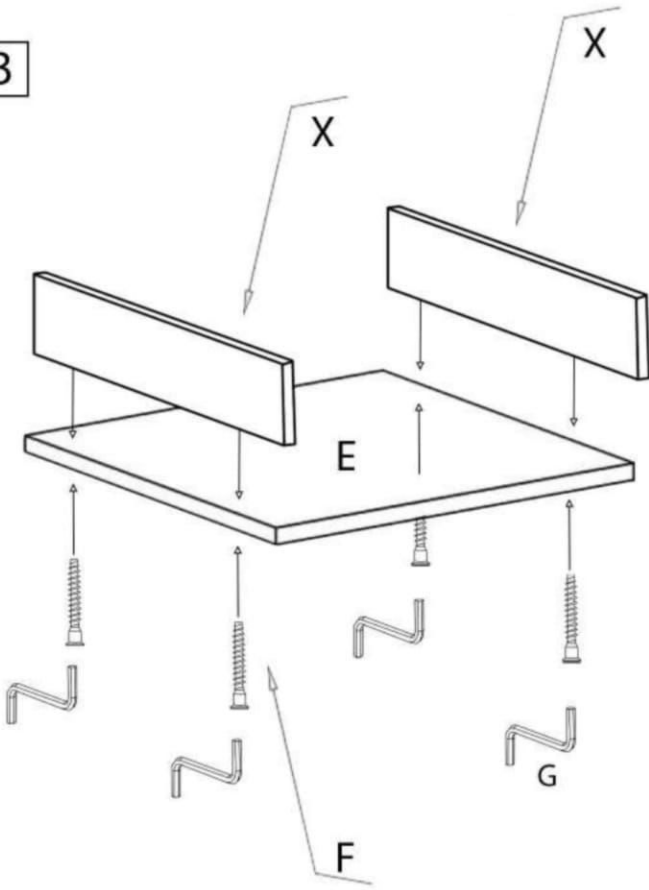
2



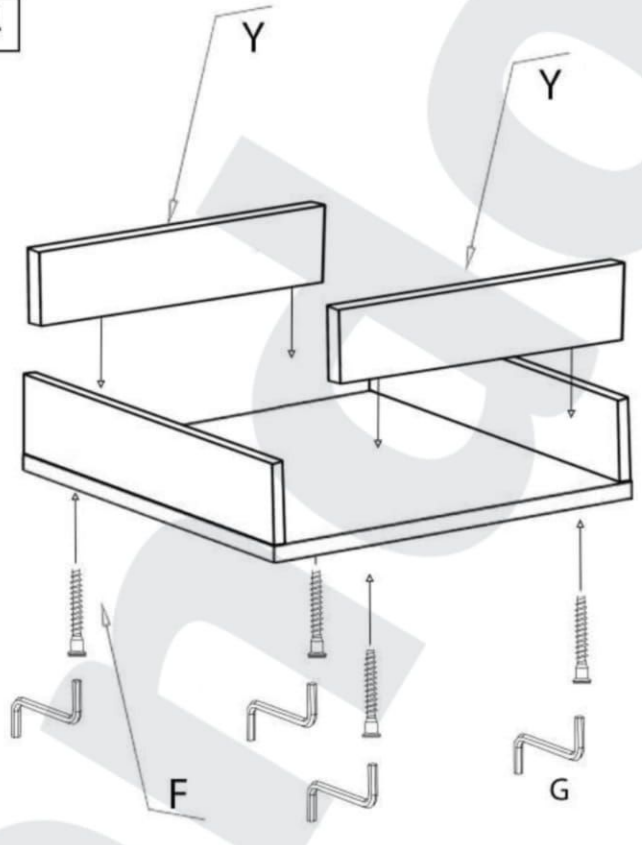
2



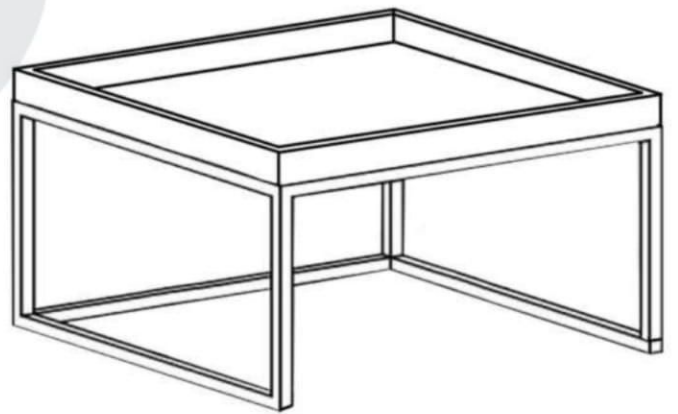
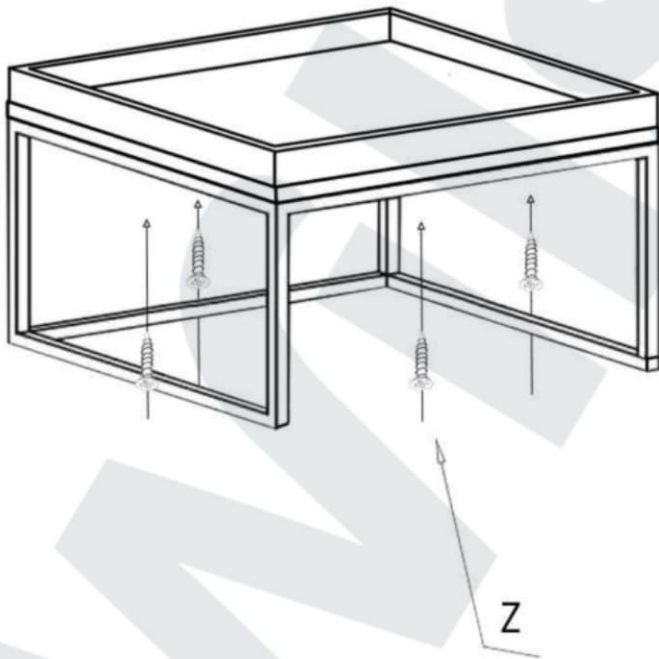
3



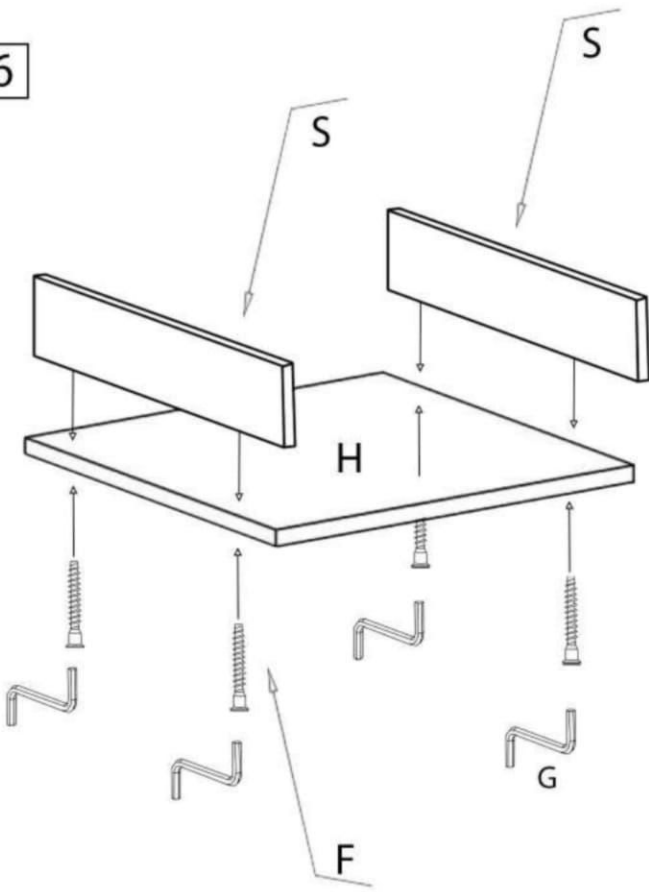
4



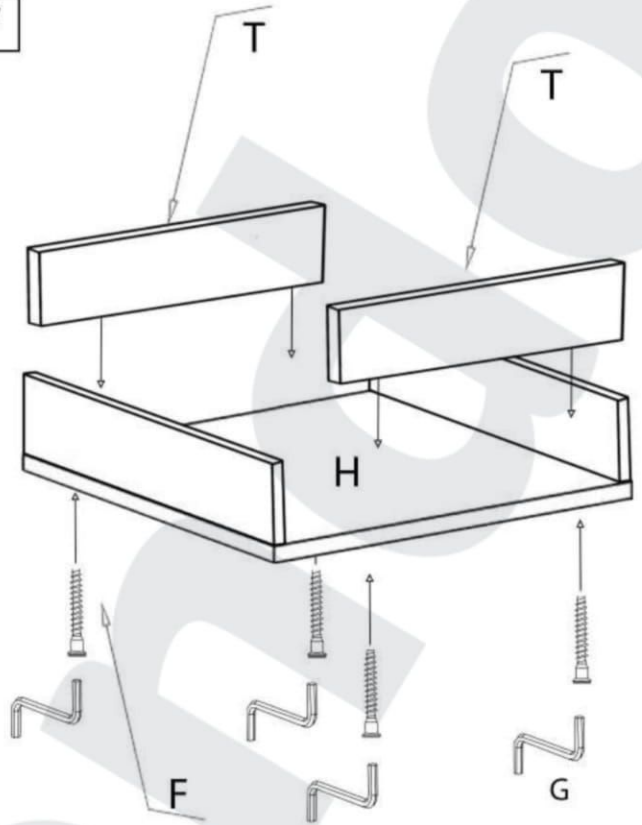
5



6



7



8

