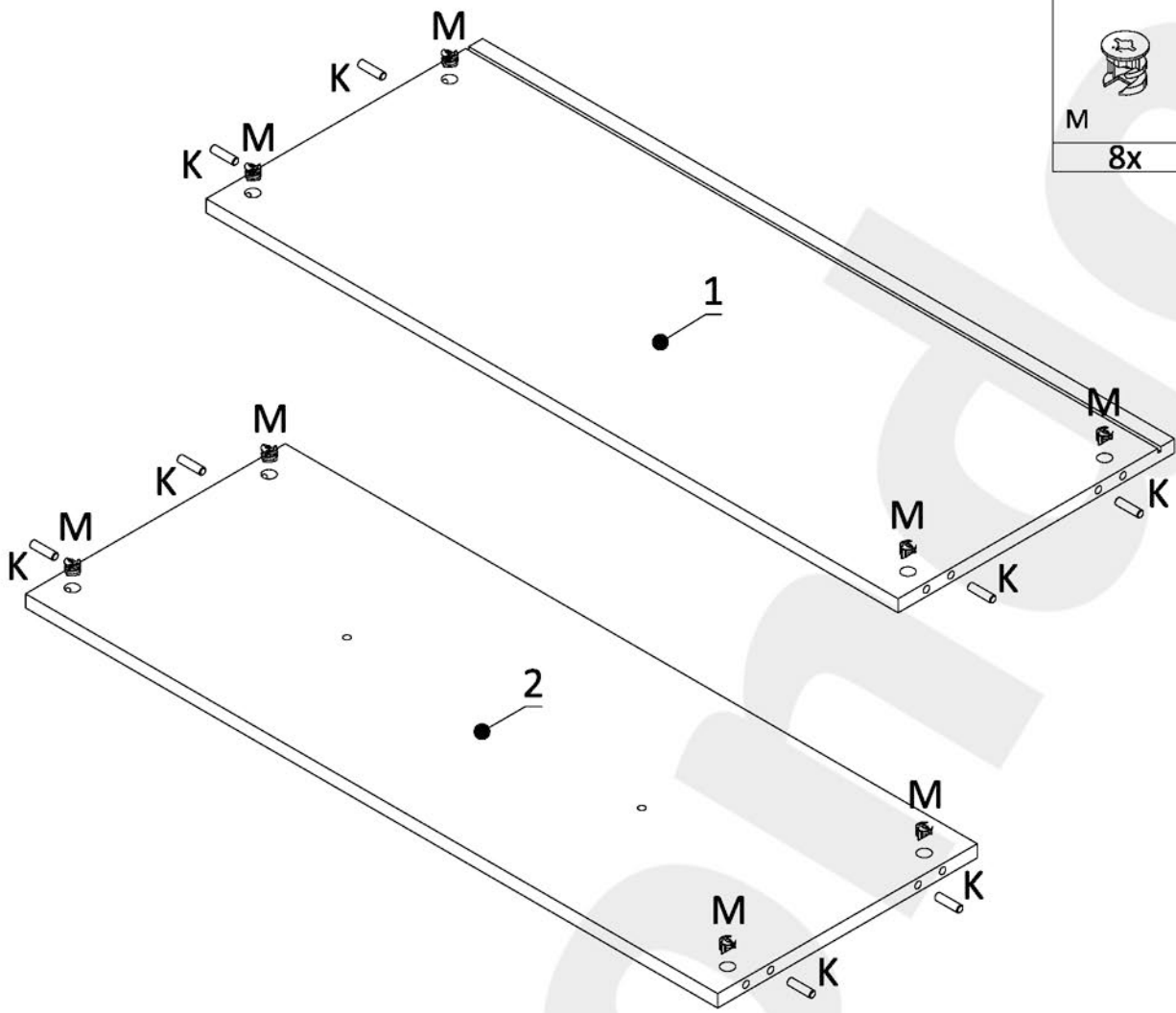




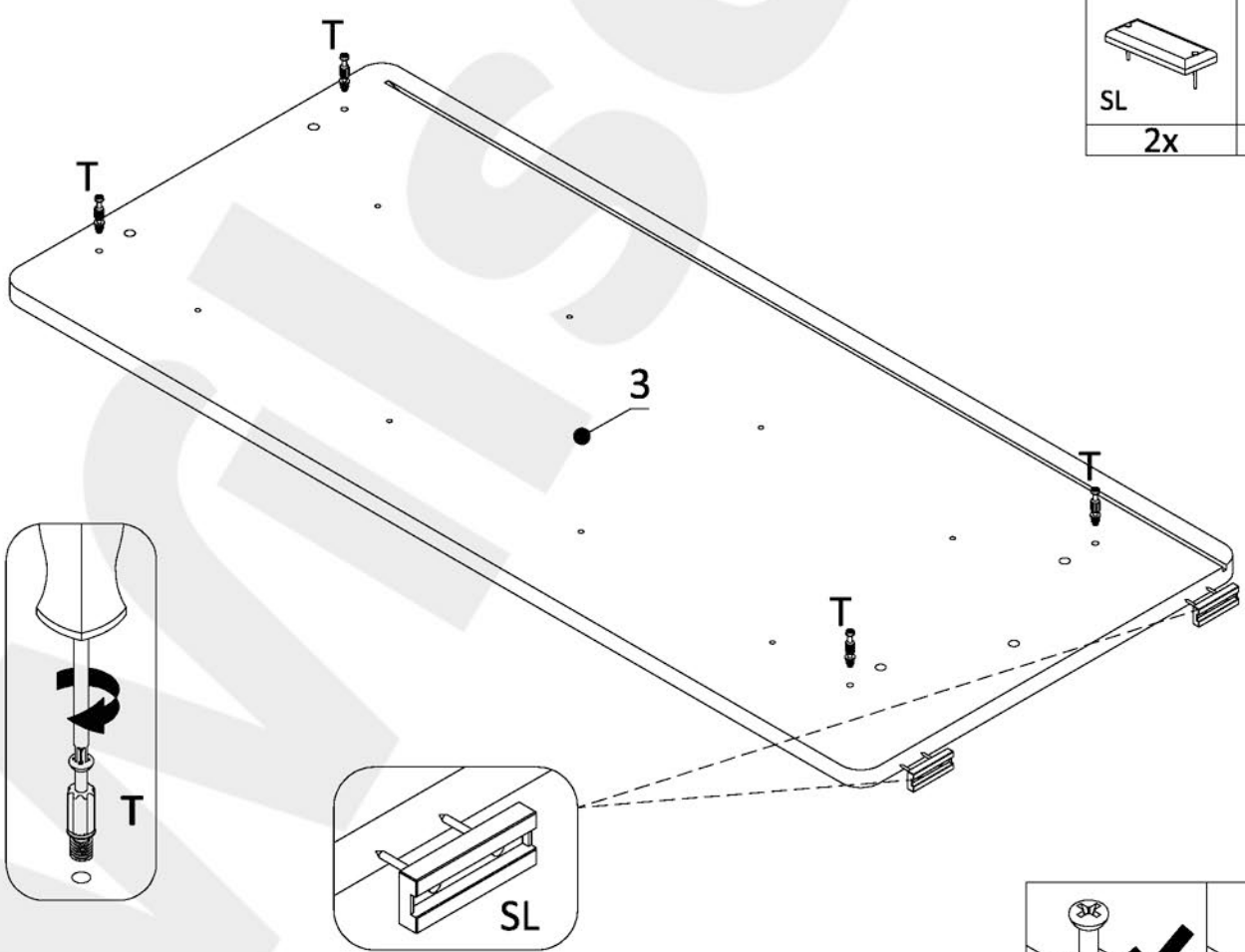
 E1 5x13 32x	 KF 7x50 8x	 K 8x30 20x	 M 15/12 24x	 T L20,3 24x	 4x PK-0H35-300	 PS 1x			
 W1 3x13 8x	 W6 4x30 8x	 U 8x	 KL SW4 1x	 ZM 24x	 H 1x	 WS L300 4x	 S 6x	 G 2x20 8x	 SL 5x



# 1





 M	 K
8x	8x

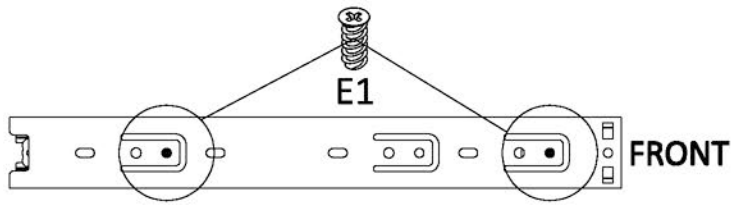
# 2



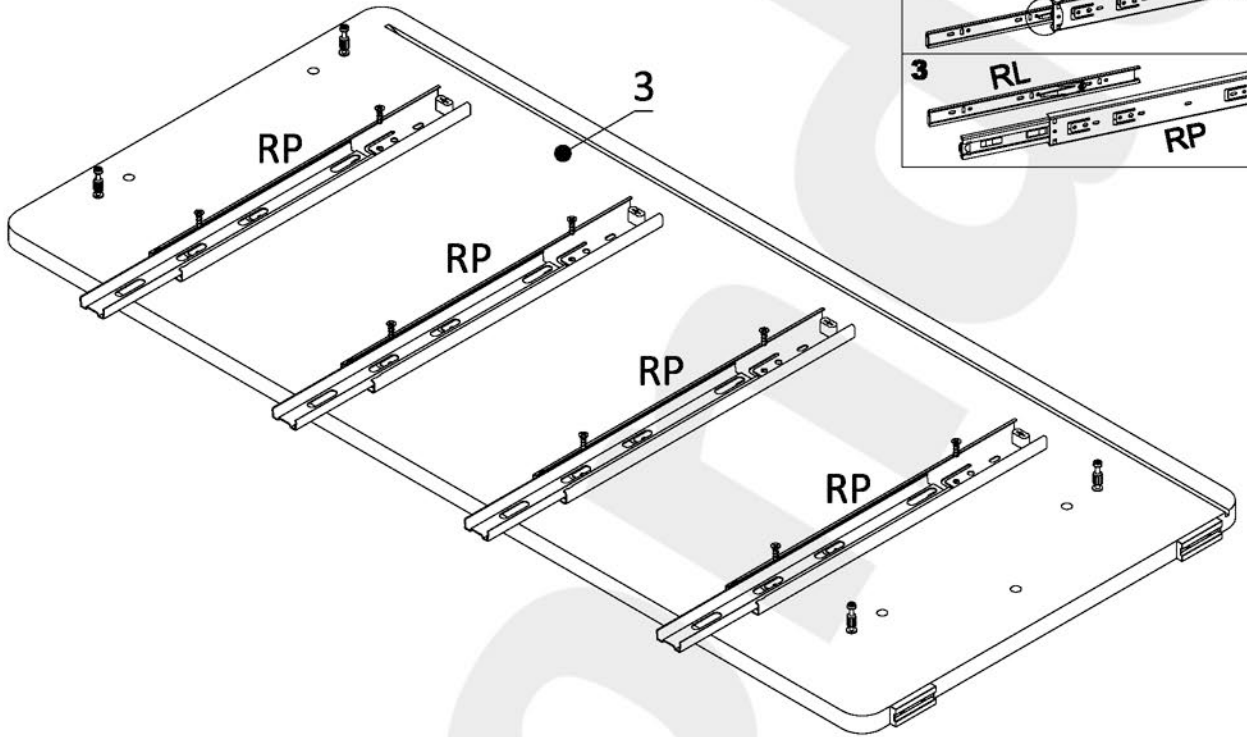
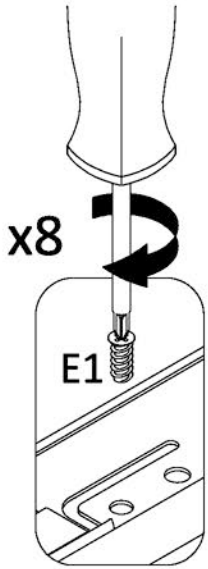
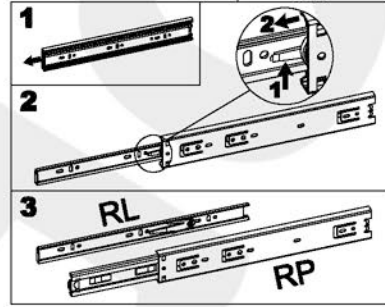
 SL	 T
2x	4x

 ✓	 ✗
---	---

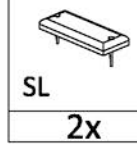
# 3



E1  
8x



# 4



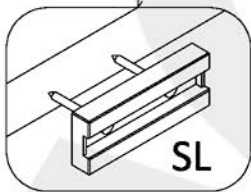
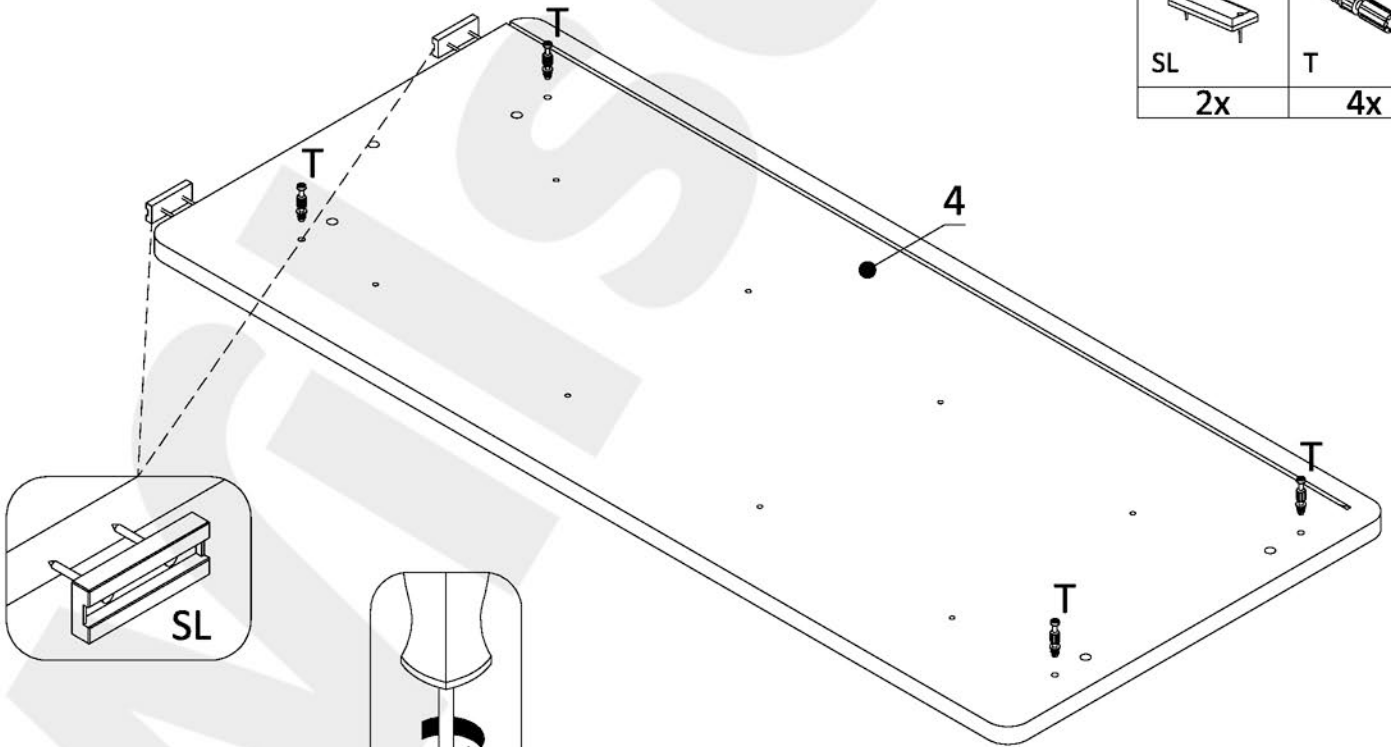
SL

2x

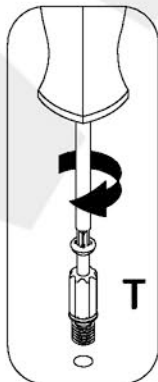


T

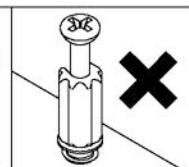
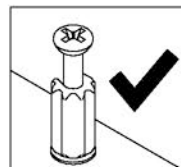
4x



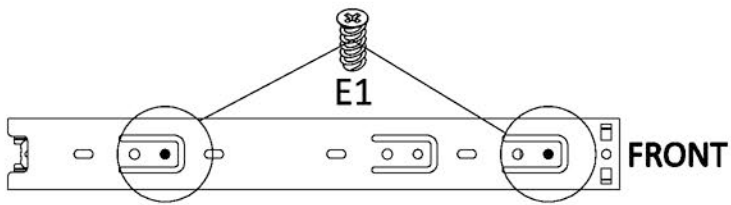
SL



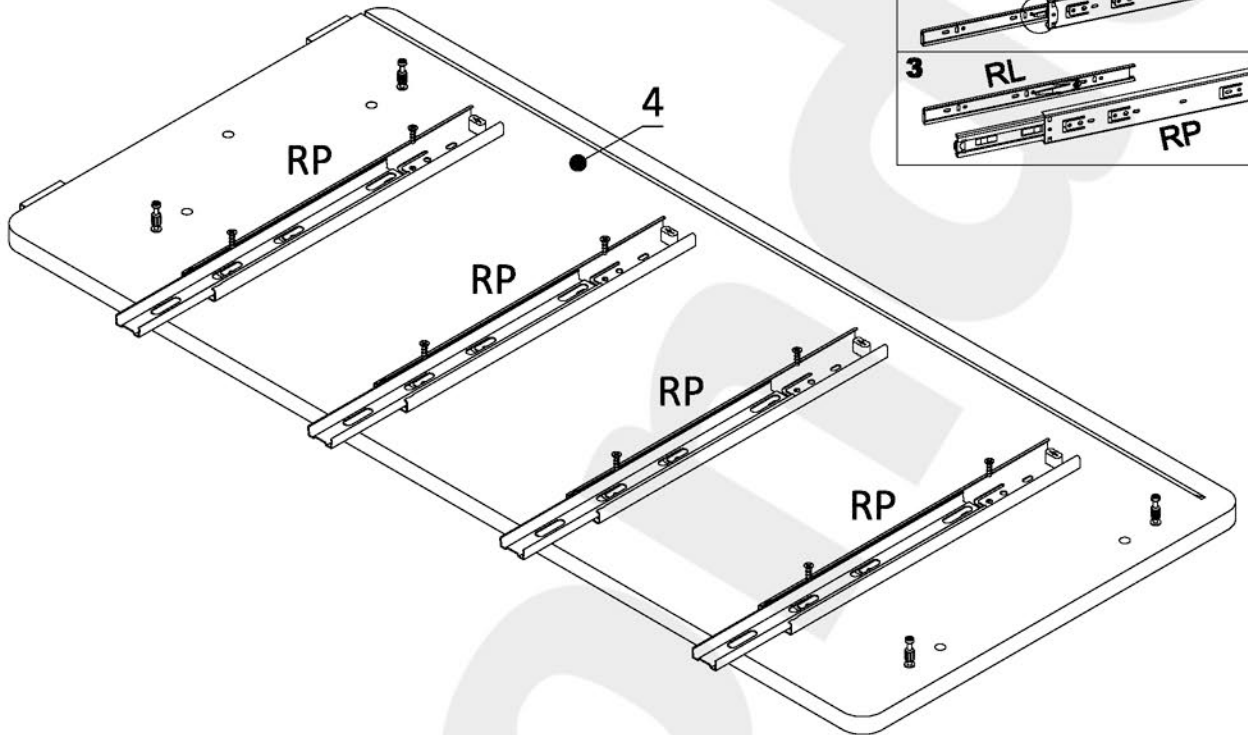
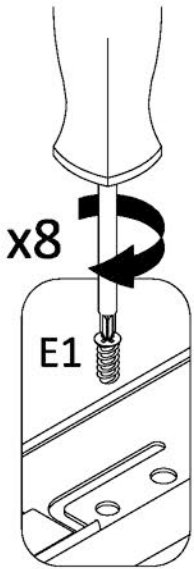
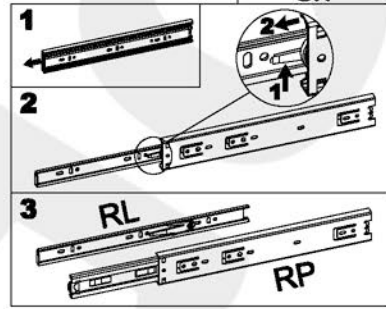
T



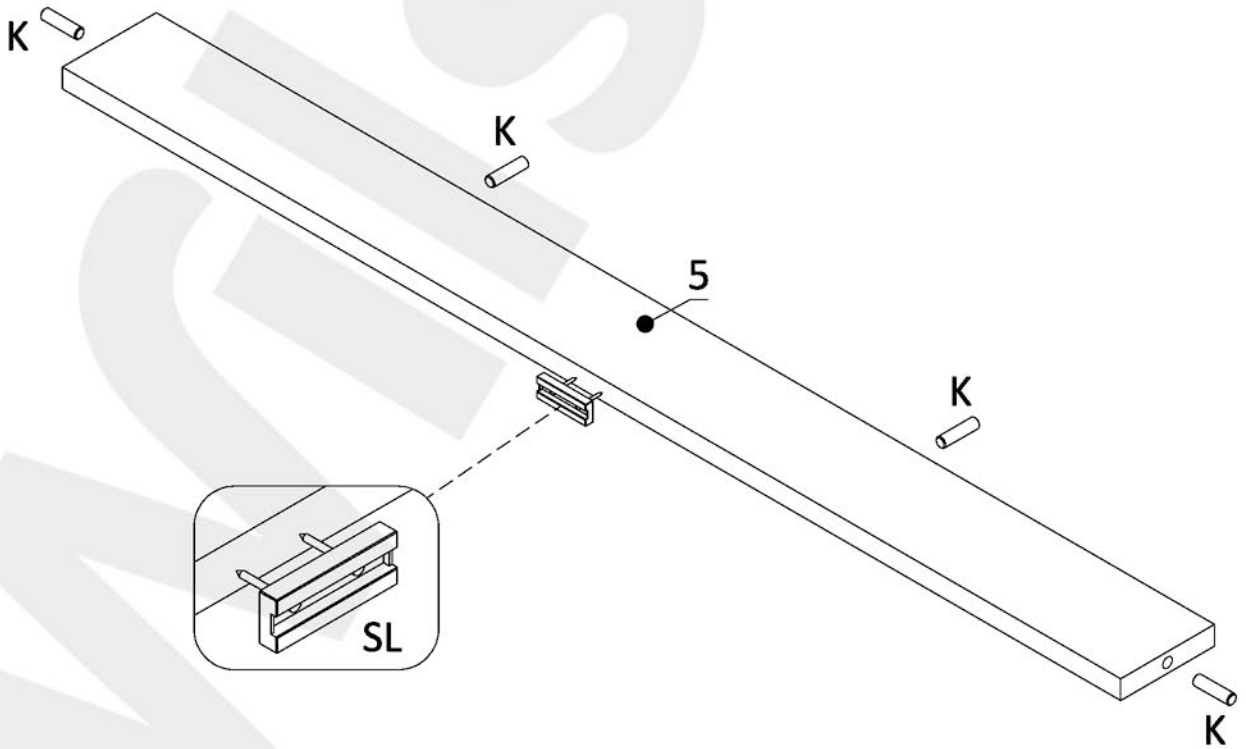
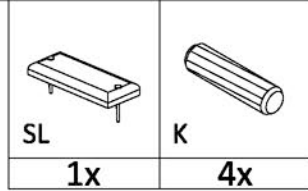
5



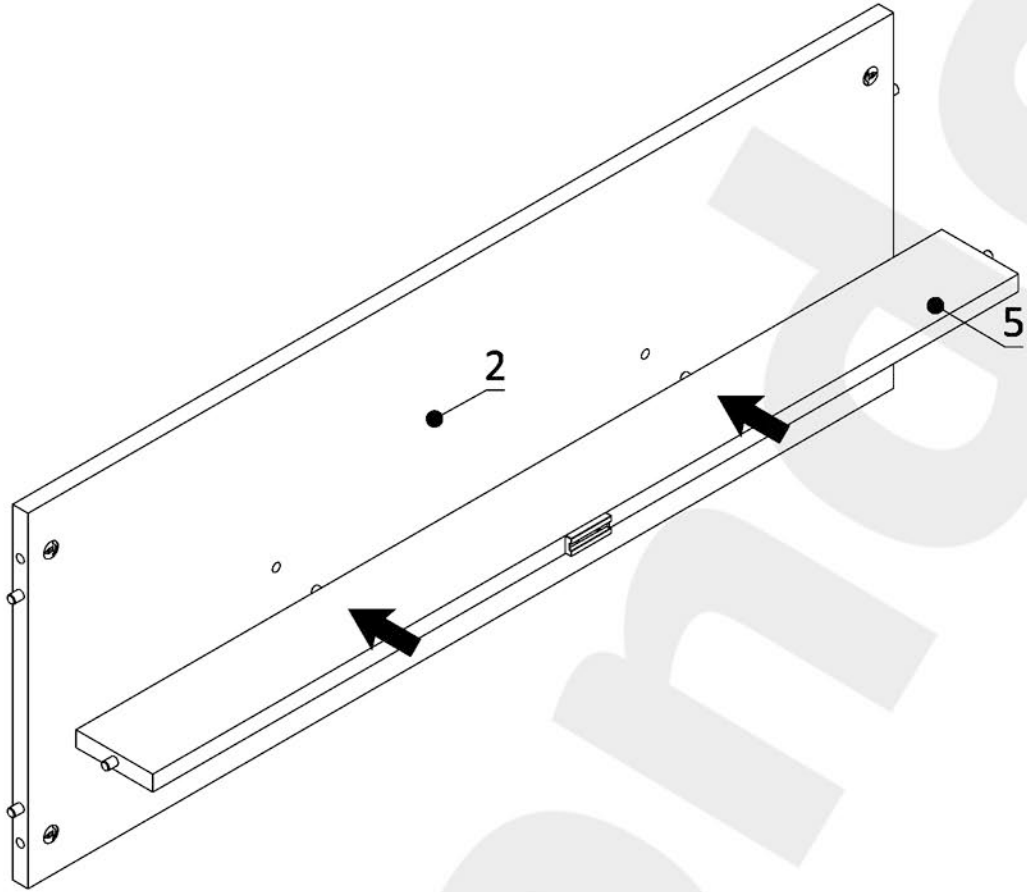
E1  
8x



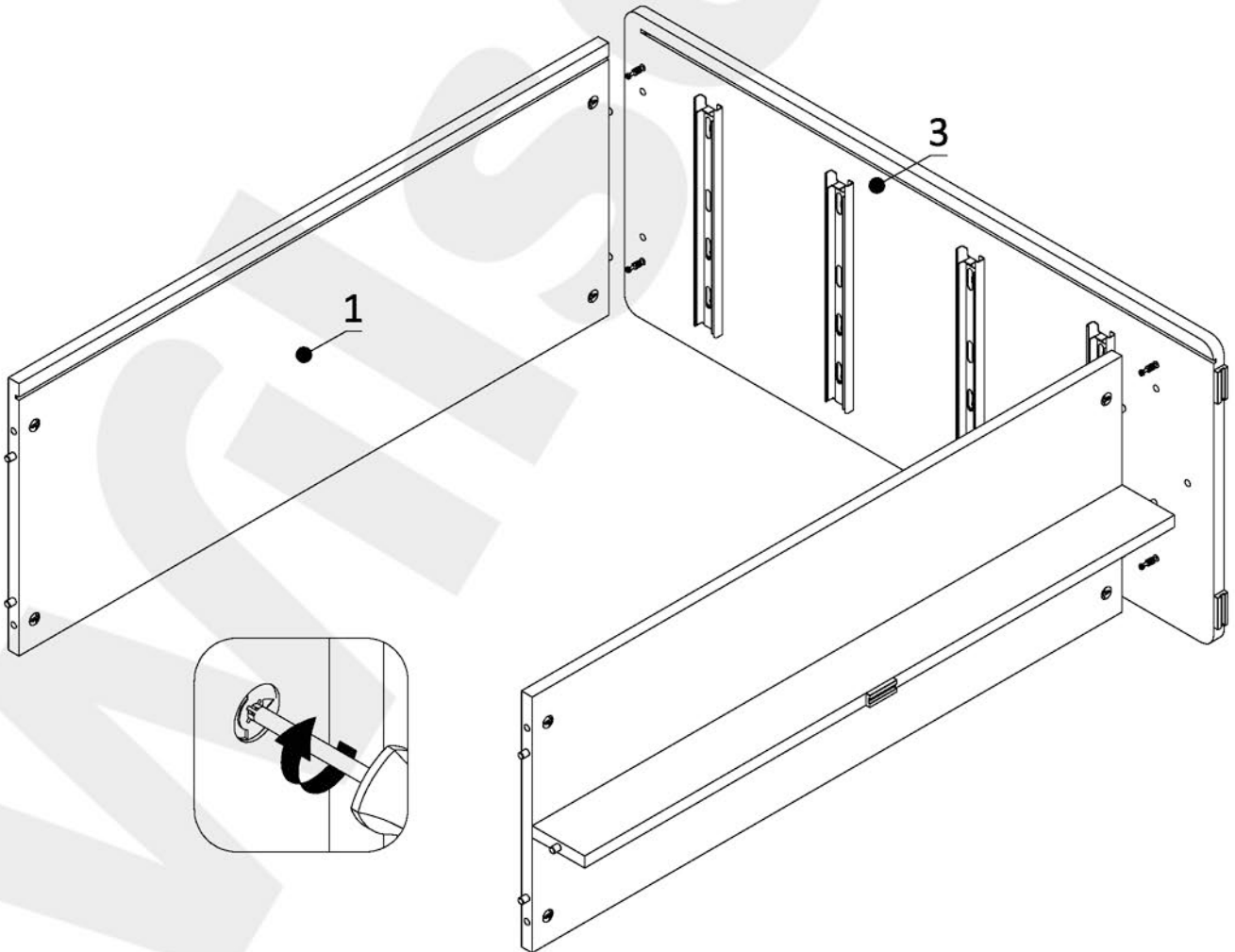
6



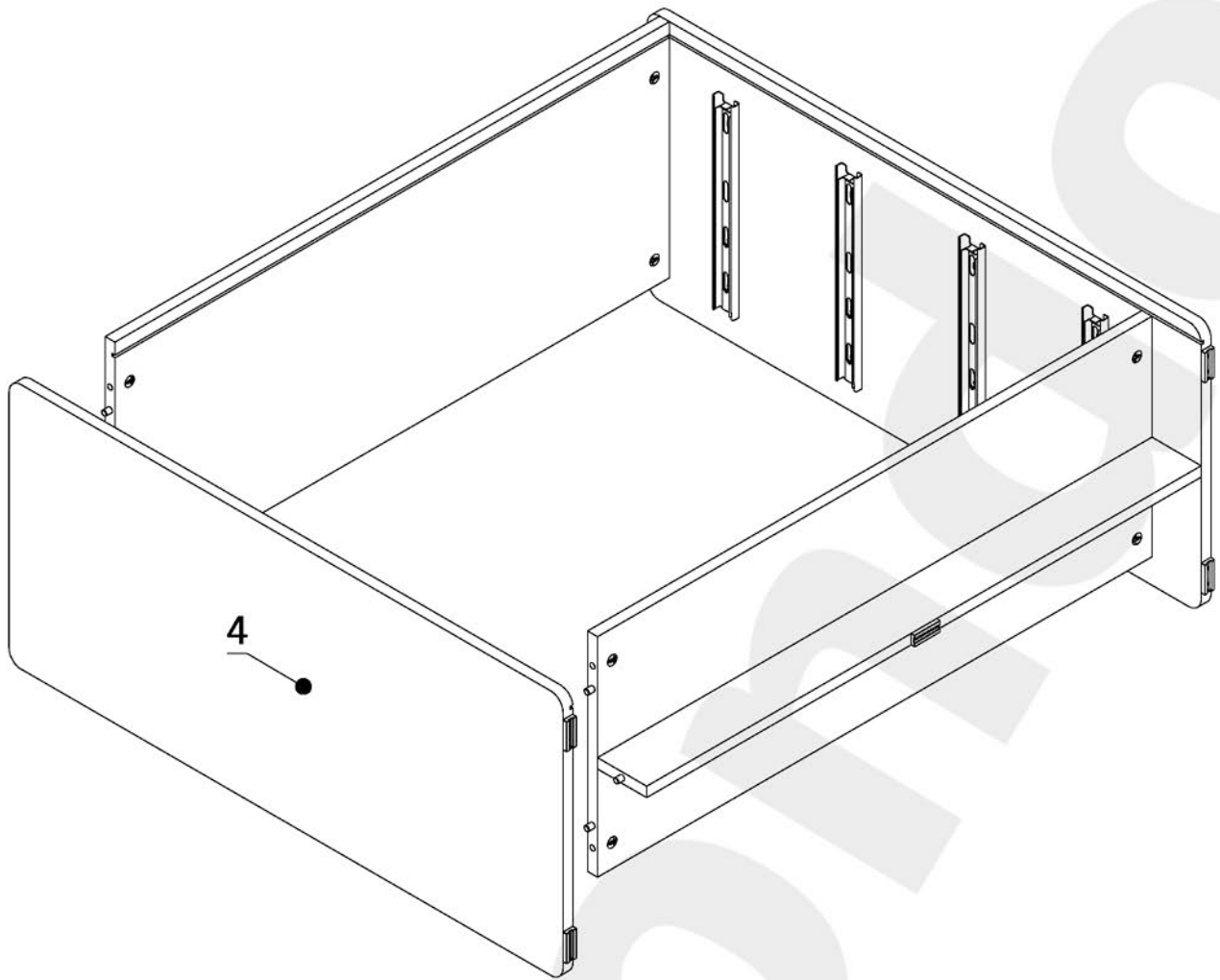
7



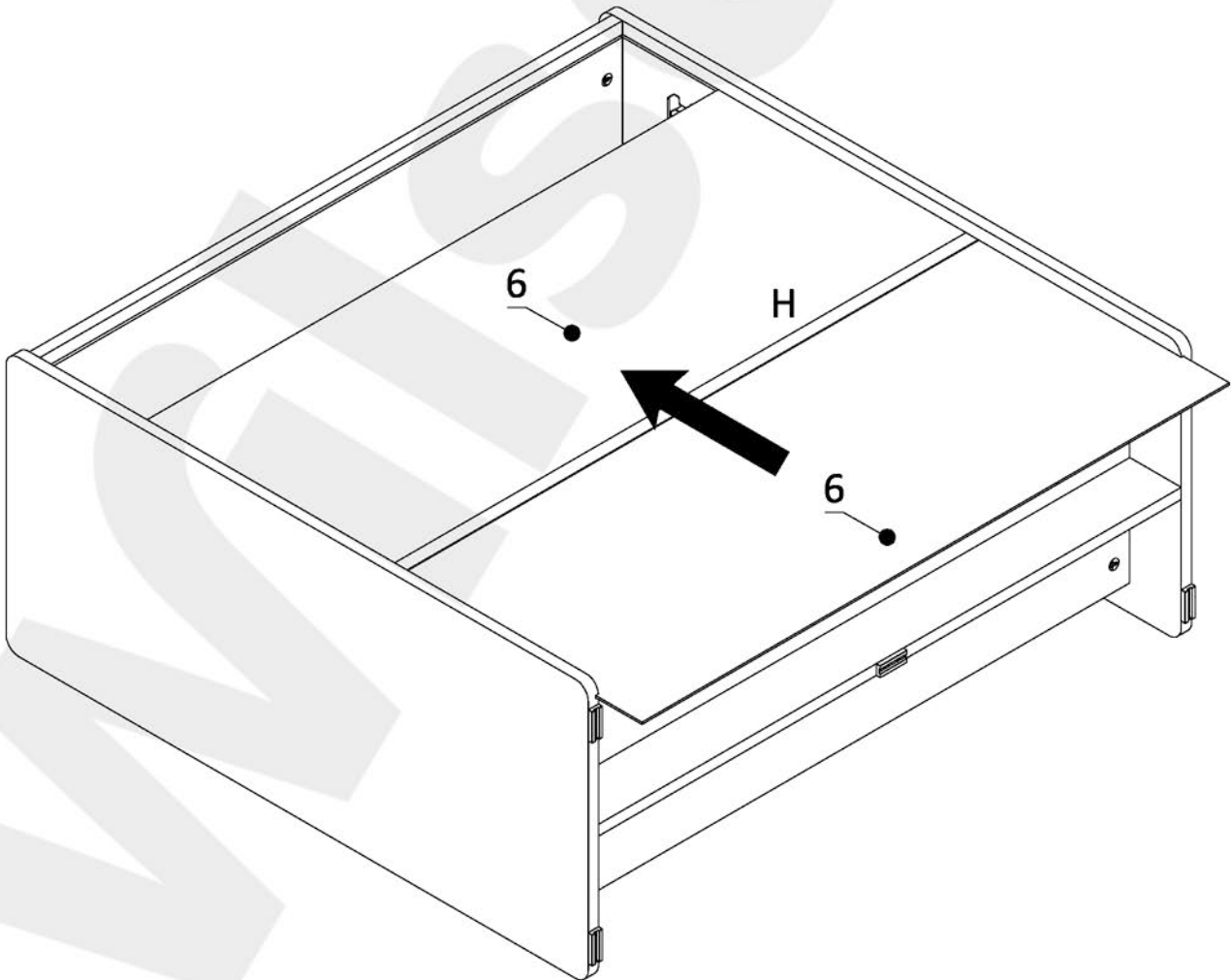
8



9

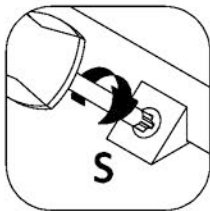




10



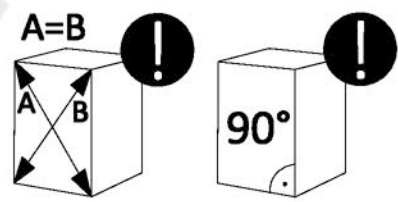
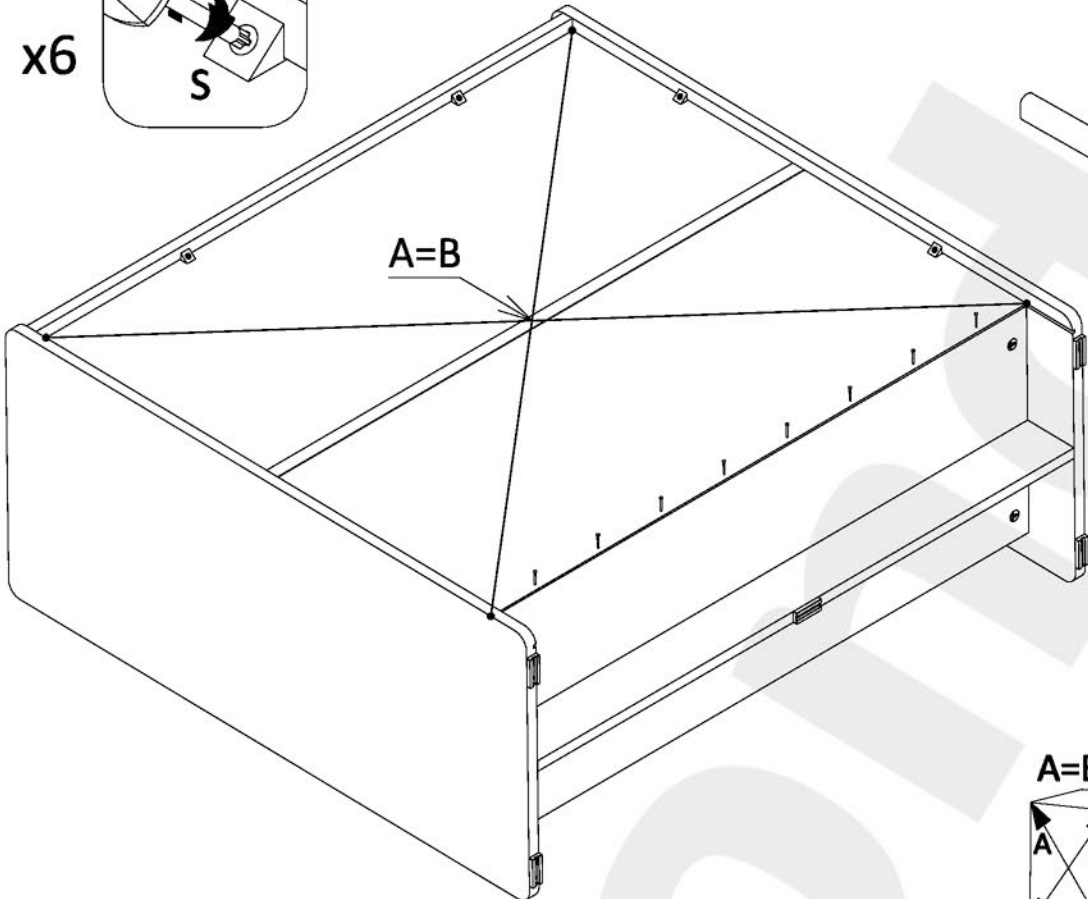
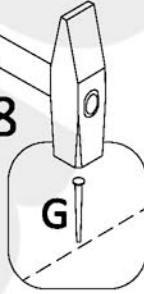
11

x6





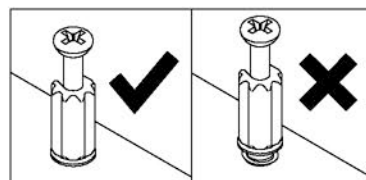
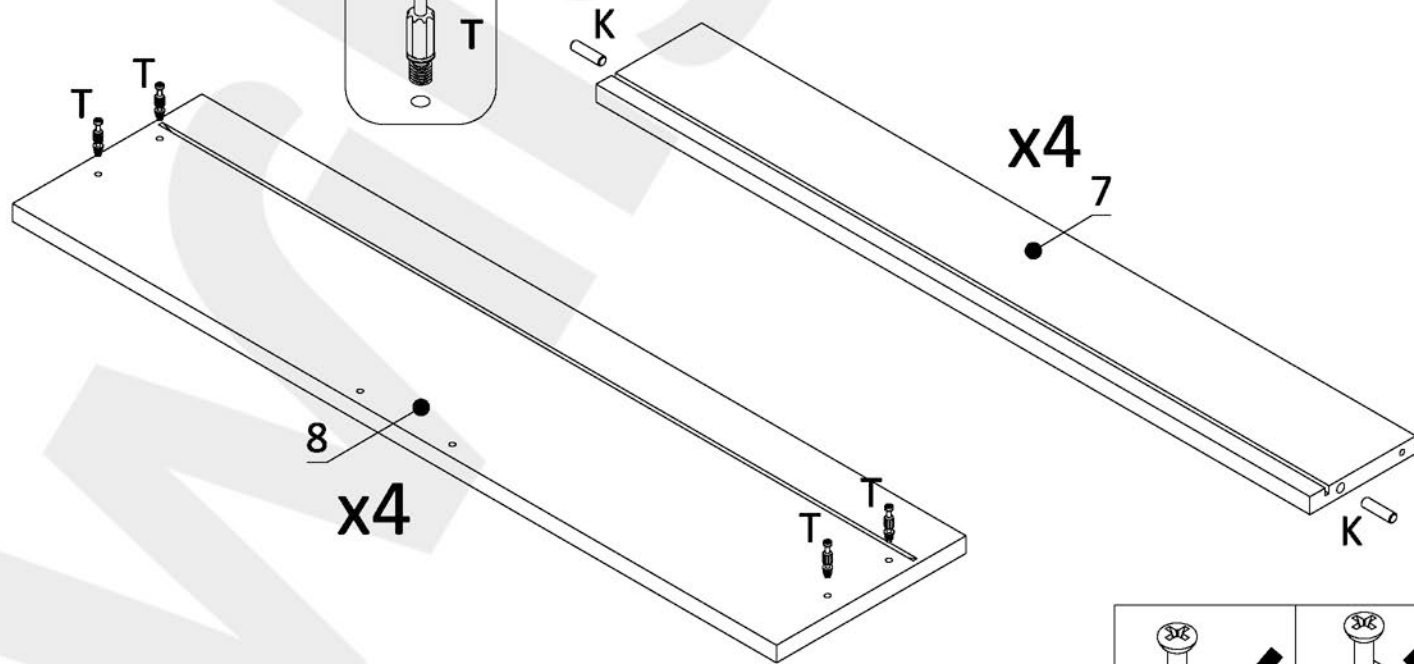
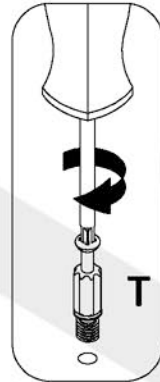
	
S	G
6x	8x

x8

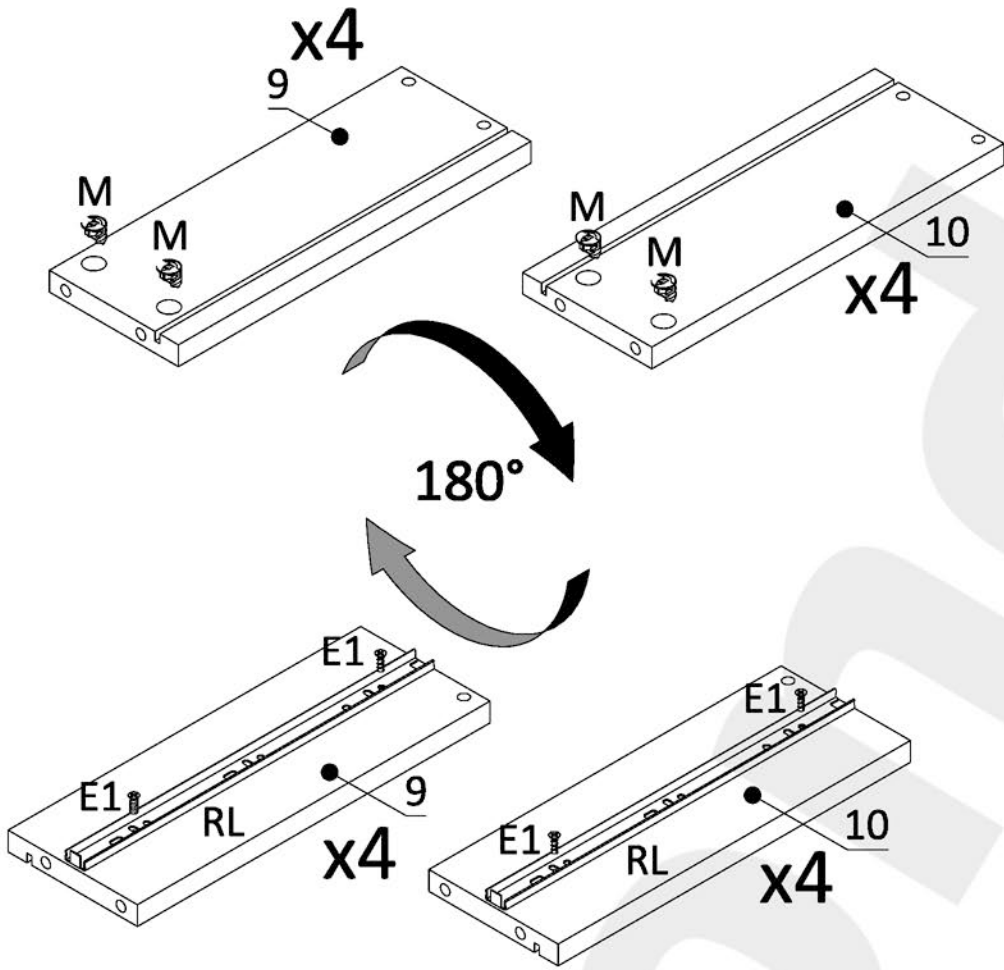


12

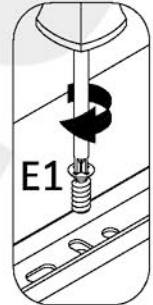
	
T	K
16x	8x



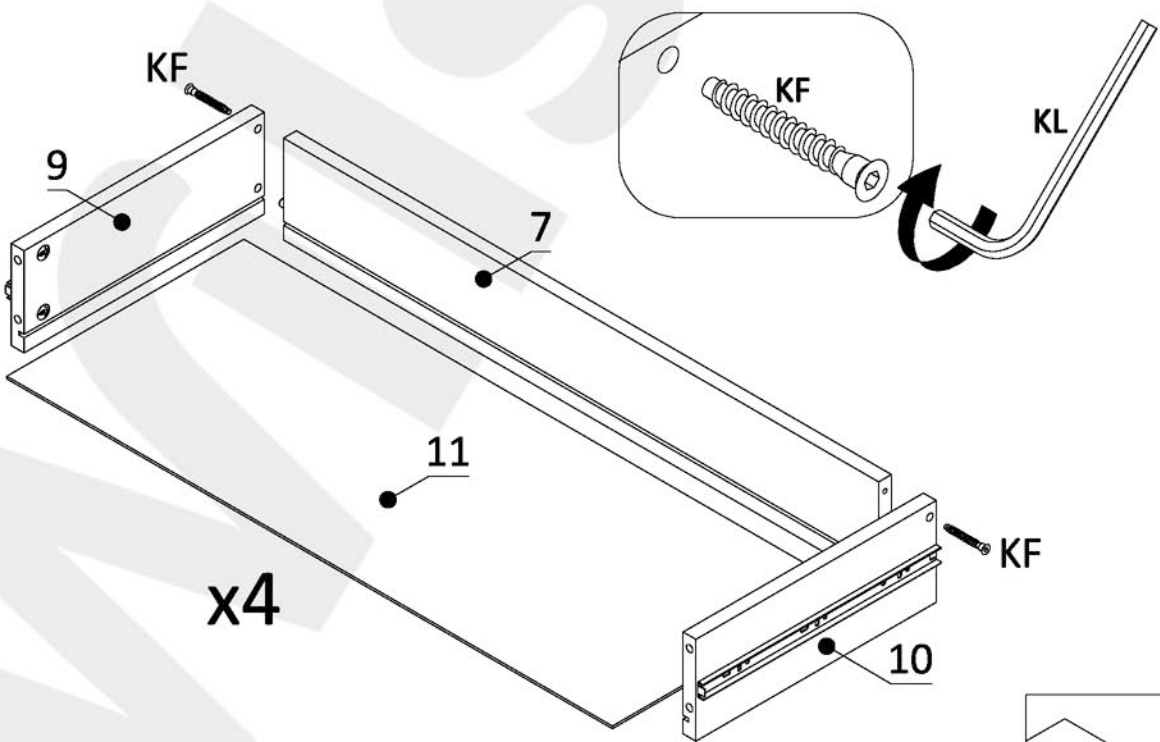
# 13



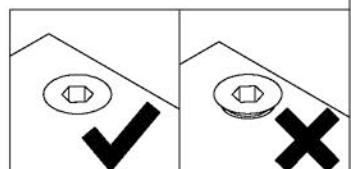
E1	M
16x	16x
RL	
4x	



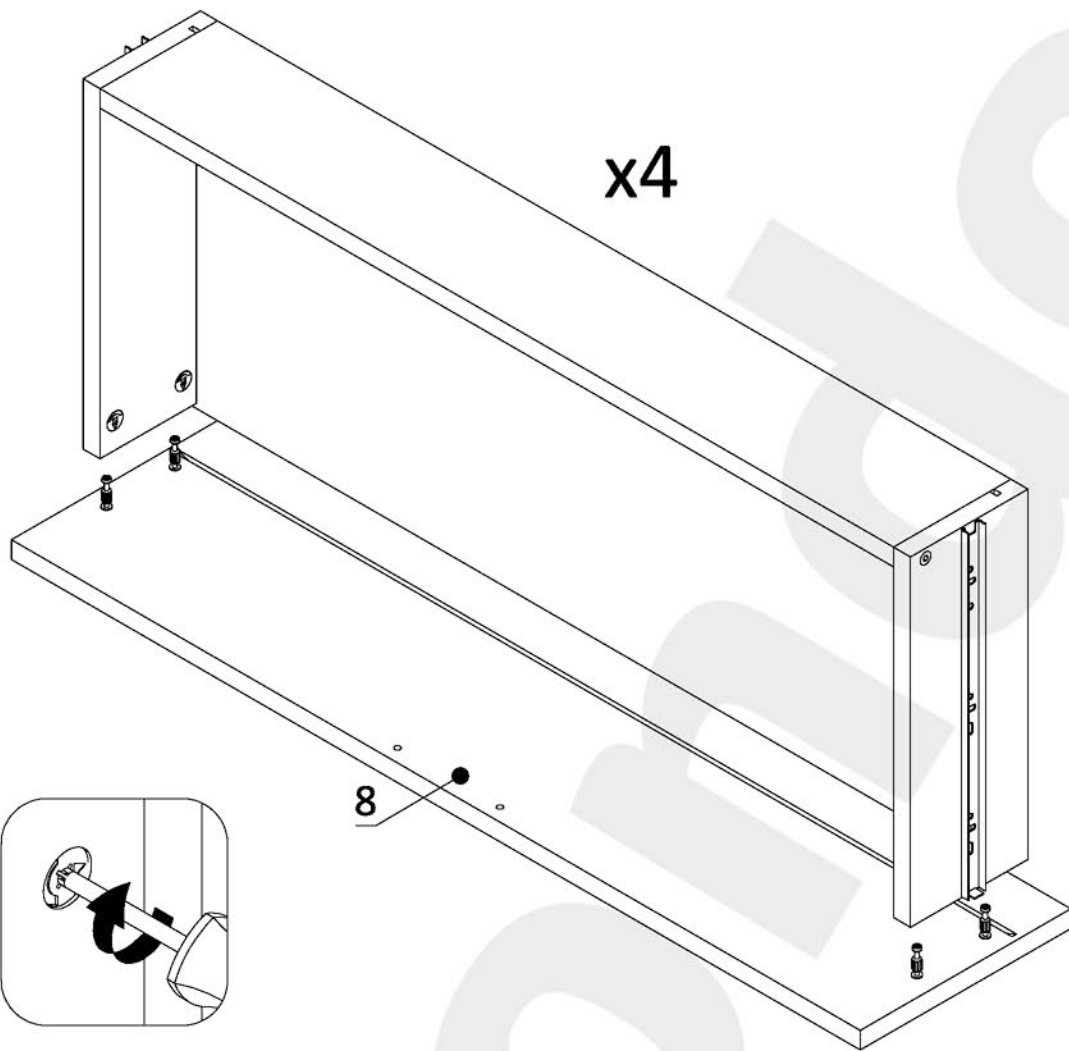
# 14



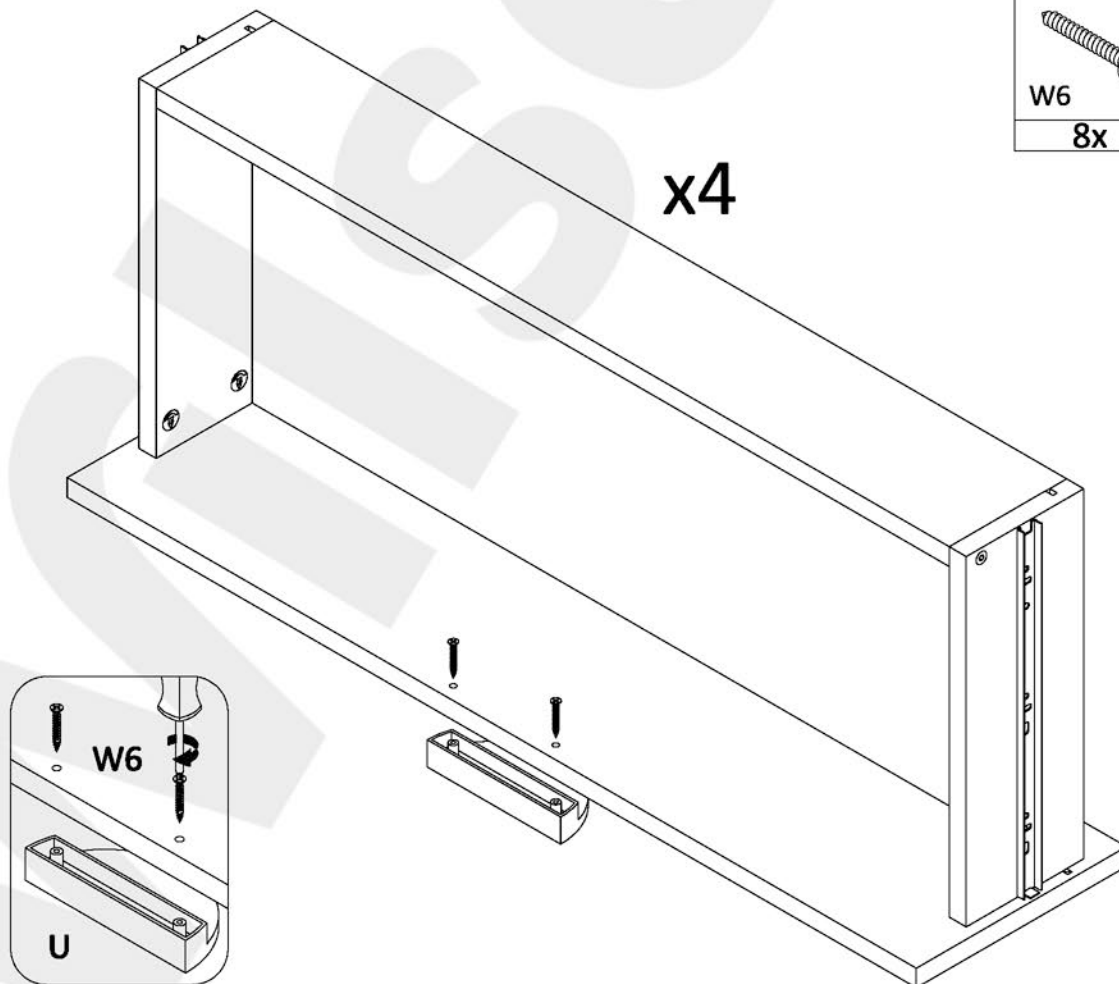
KF	KL
8x	1x





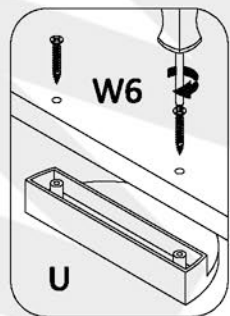
15



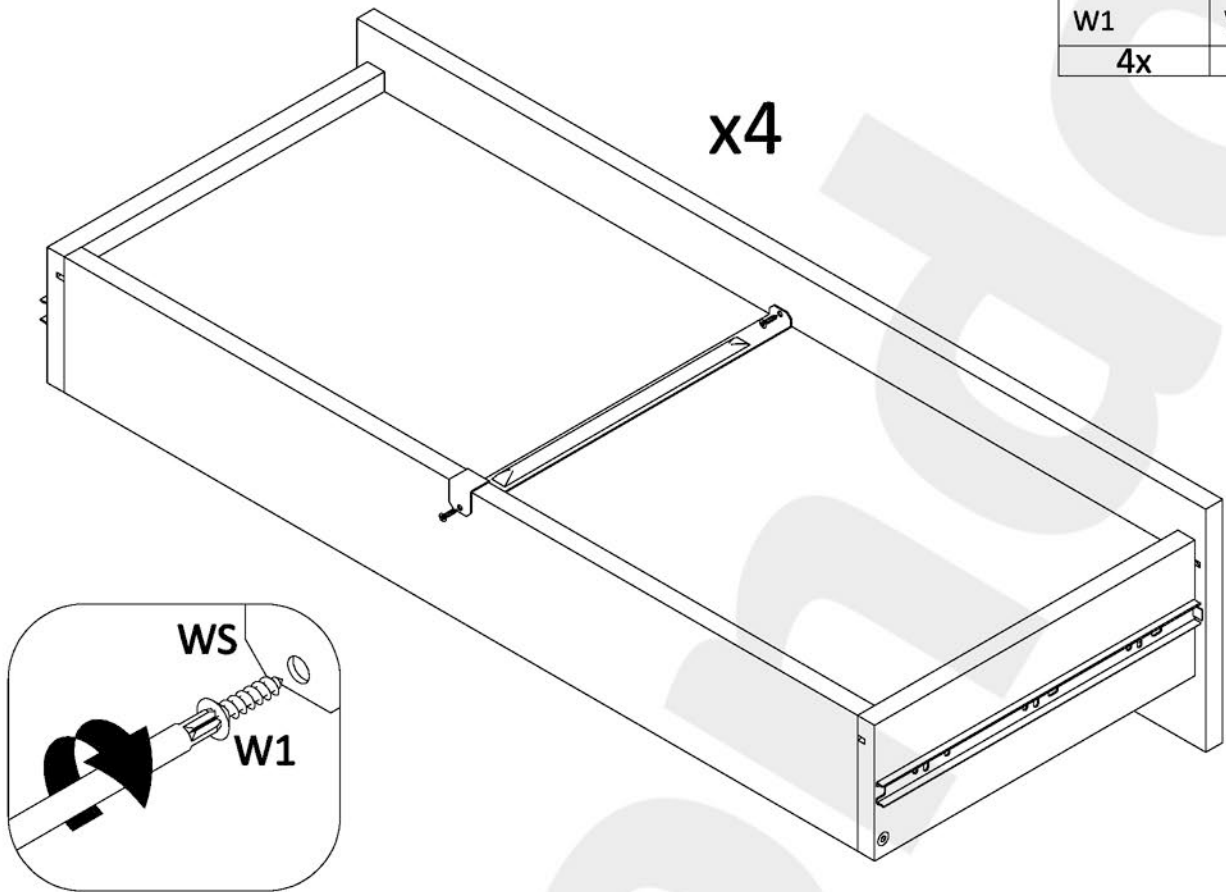
16



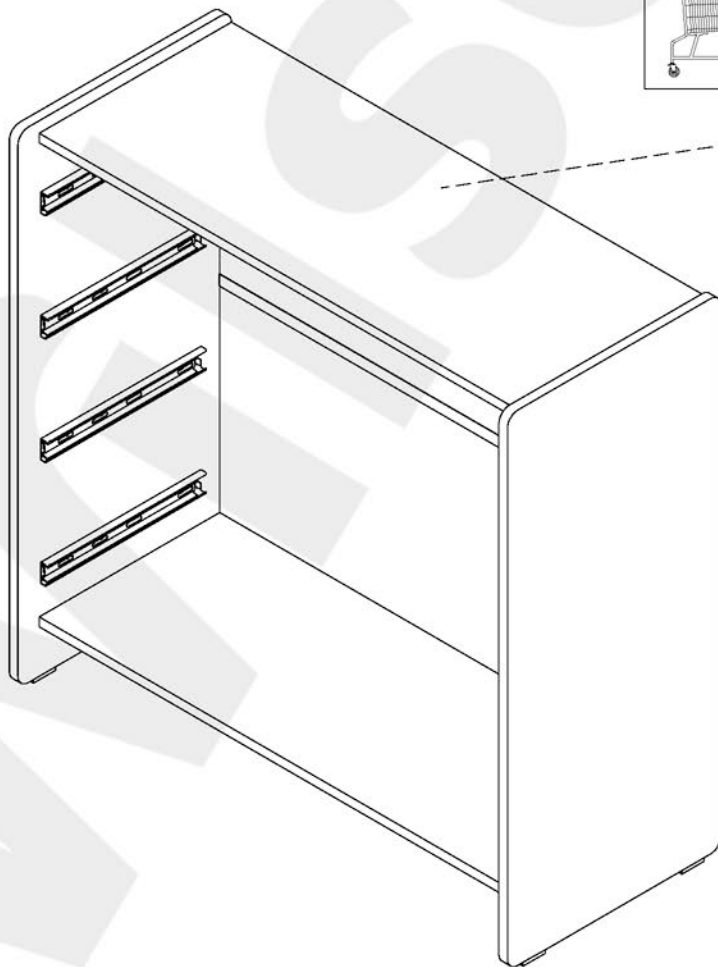
 W6 8x	 U 4x
---	--




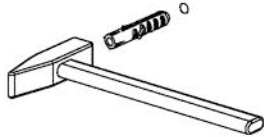
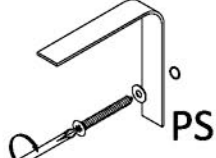
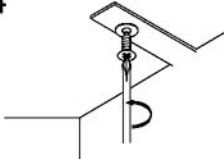


17



18



- |   |   |   |
|---|---|---|
|                     | <br>PS<br>1x | <b>1</b><br> |
| <b>2</b><br>       |   |   |
| <b>3</b><br><br>PS |   |   |
| <b>4</b><br>       |   |   |

19

