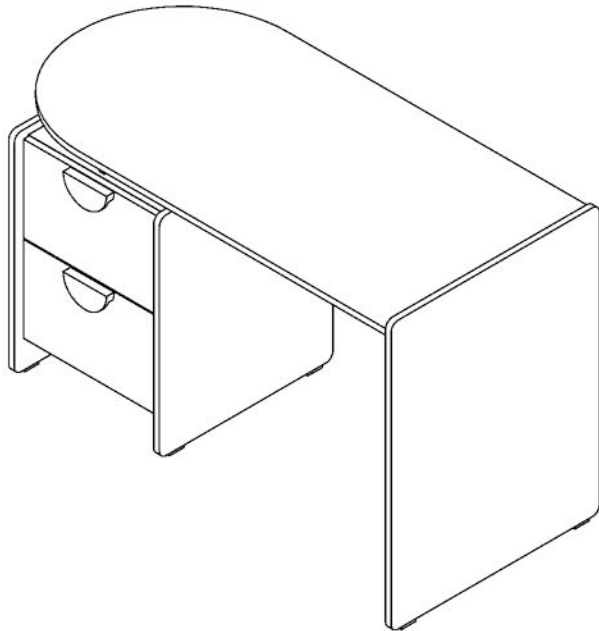
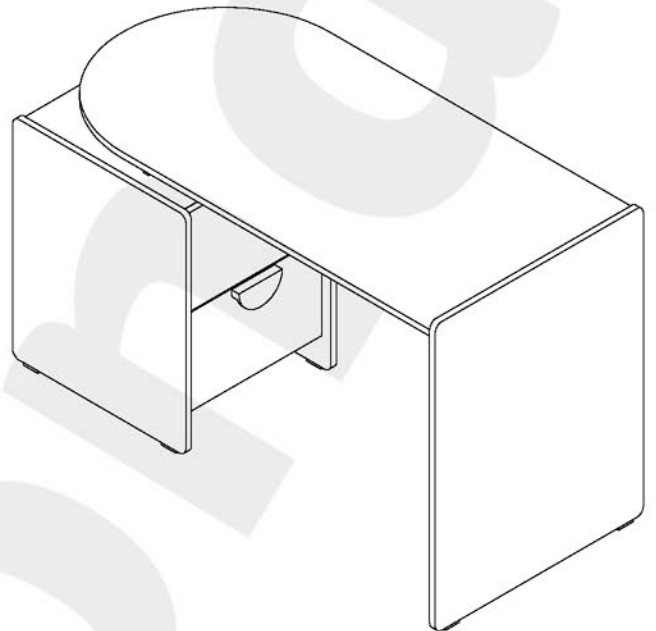


Options

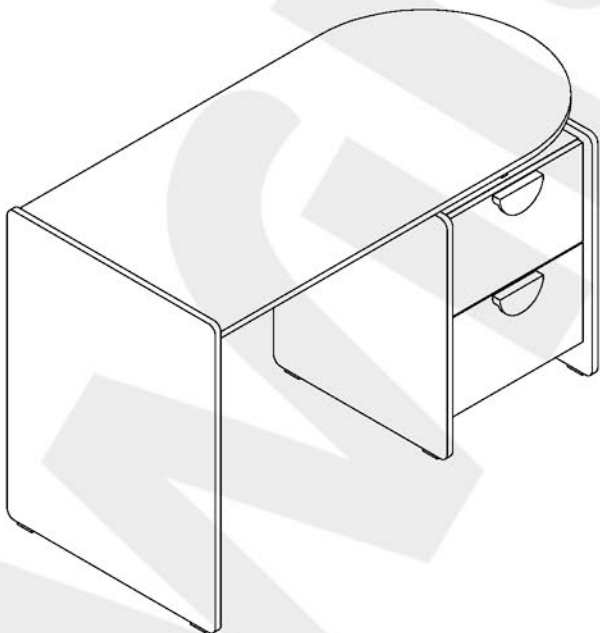
L



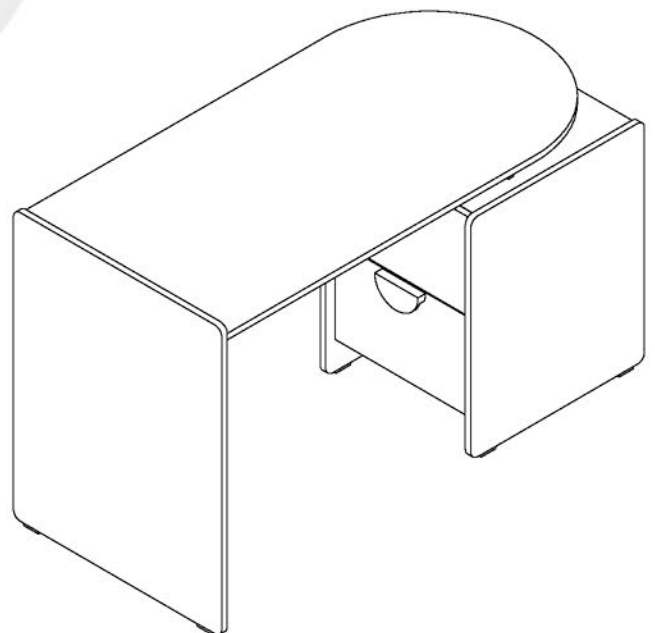
L2

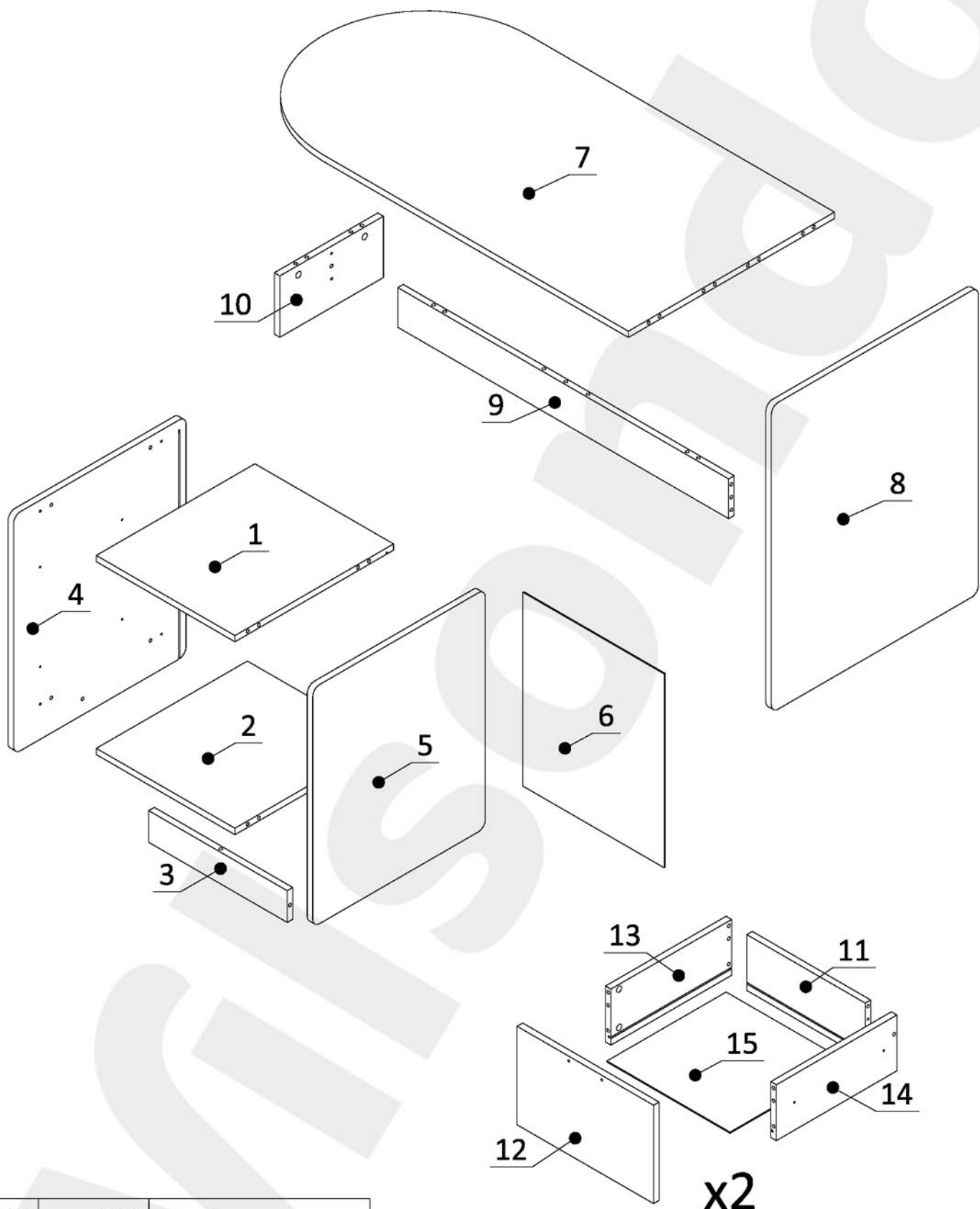


R









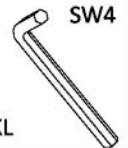



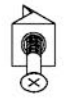


R2

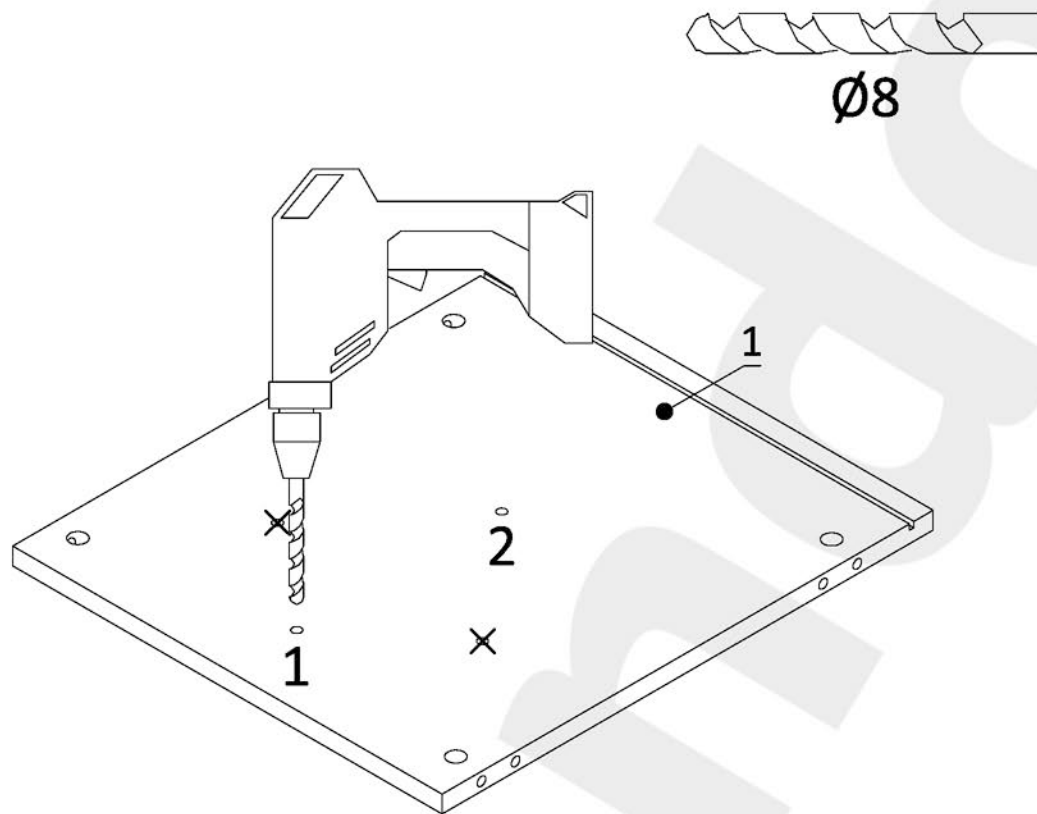




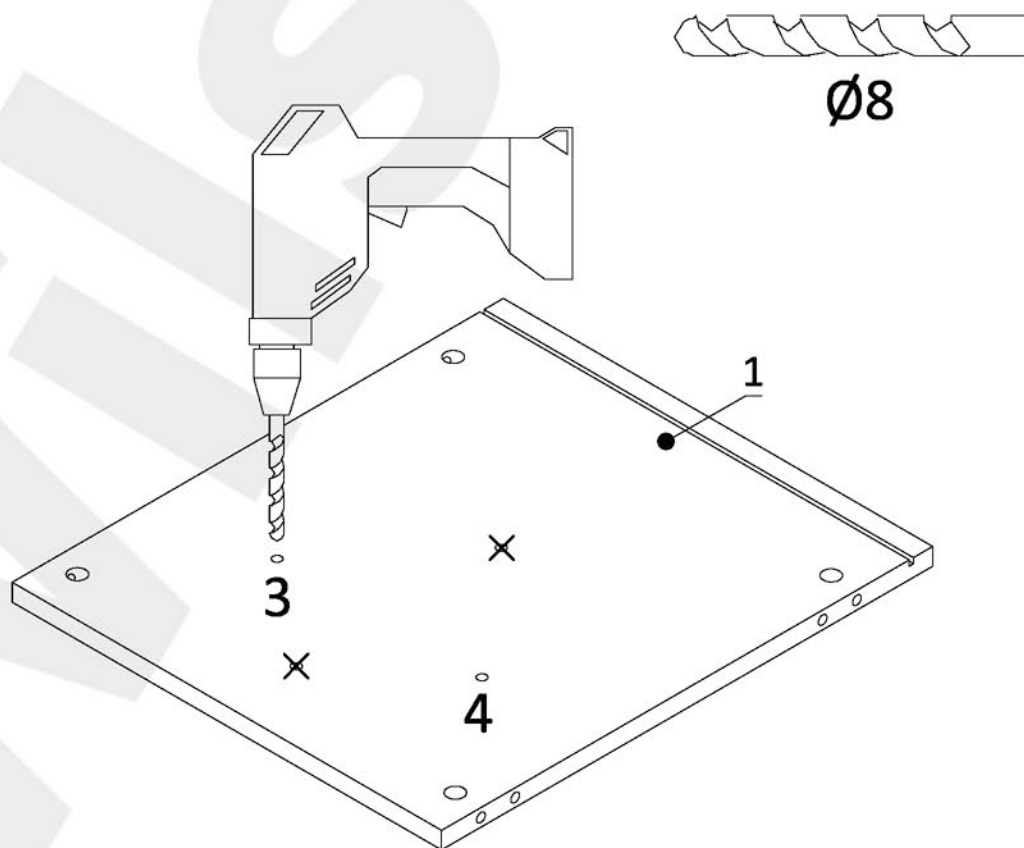
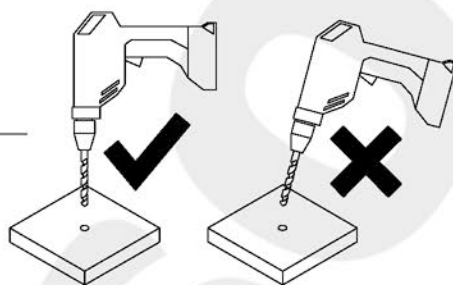
x2

 M 29x	 T 29x	 2x PK-0H35-350									
 K 35x	 U 2x	 E1 16x	 W6 4x	 KF 6x	 KL 1x	 ZM 29x	 SL 6x	 G 4x	 S 3x		



1 Option L, R

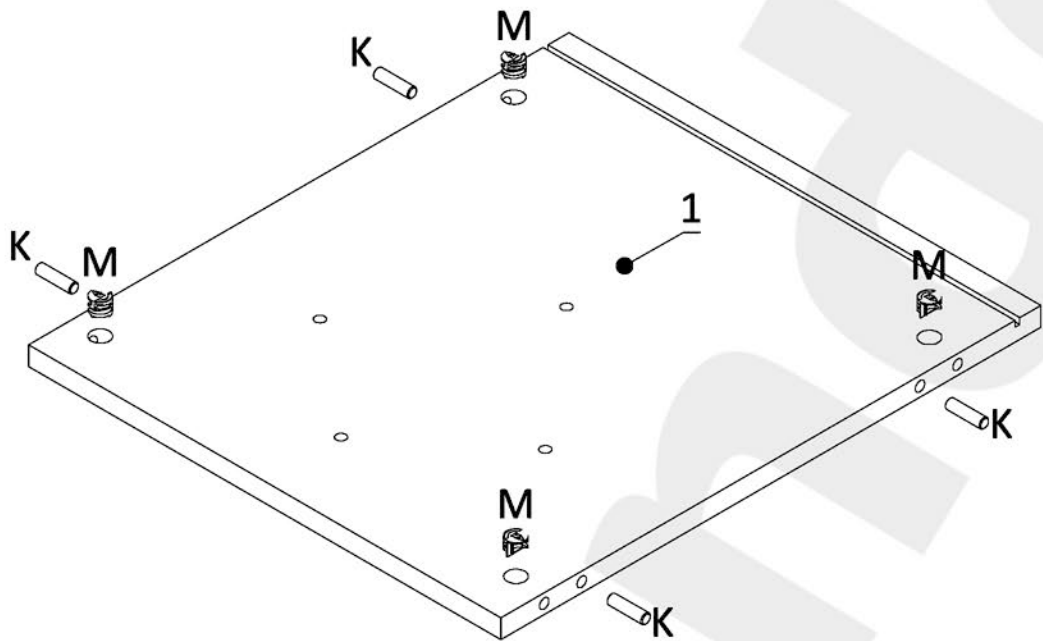


1 Option L2, R2





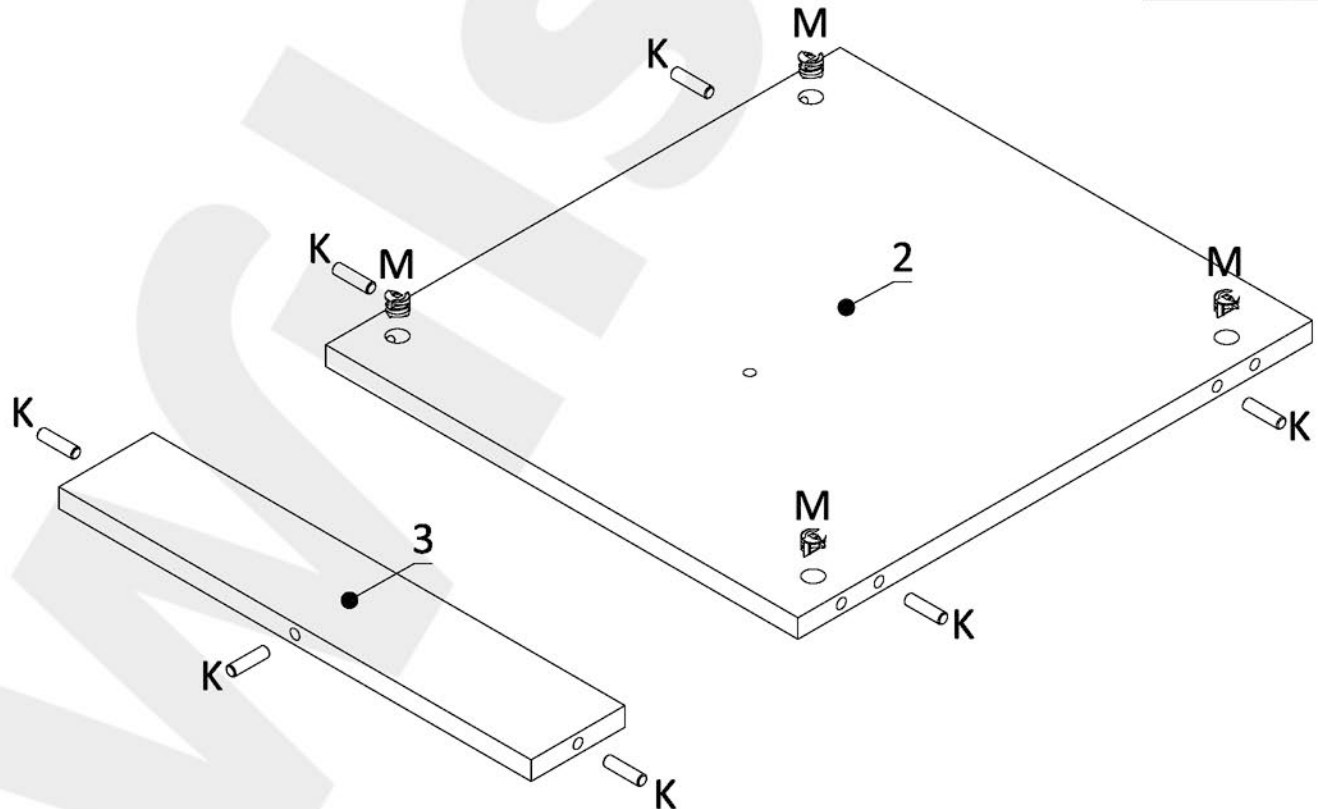
2

	
M	K
4x	4x

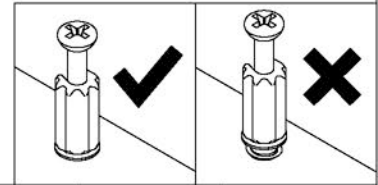
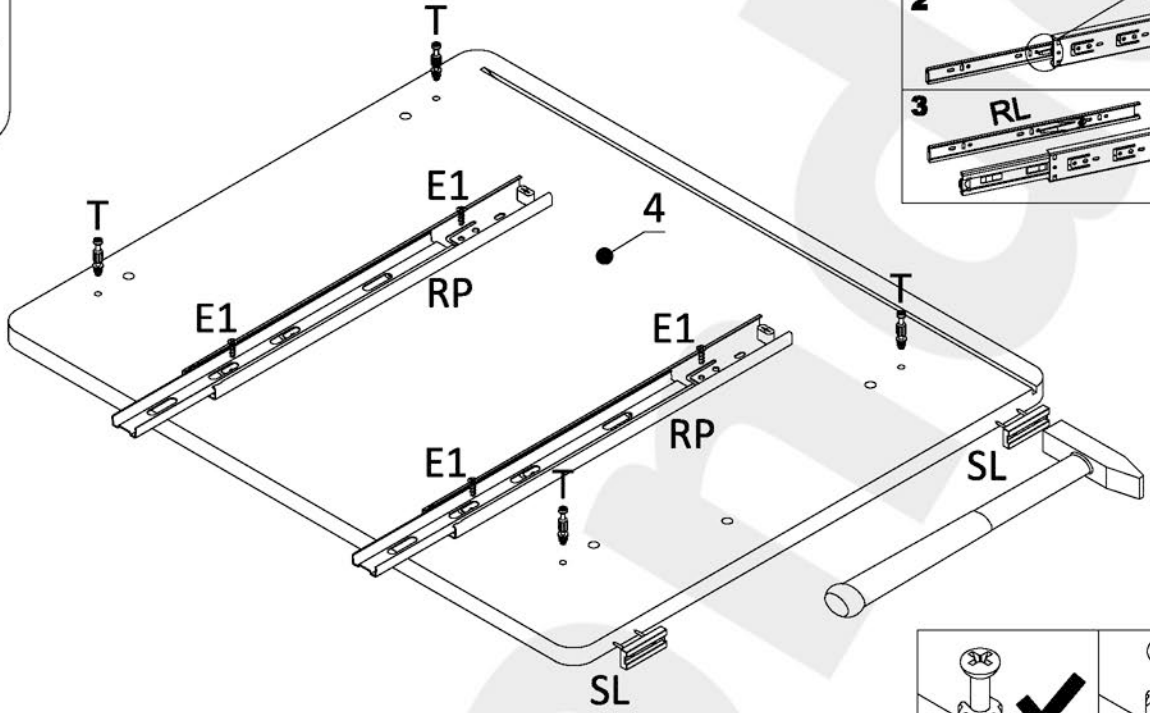
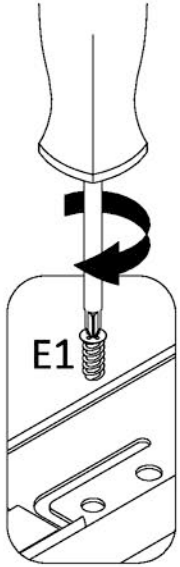
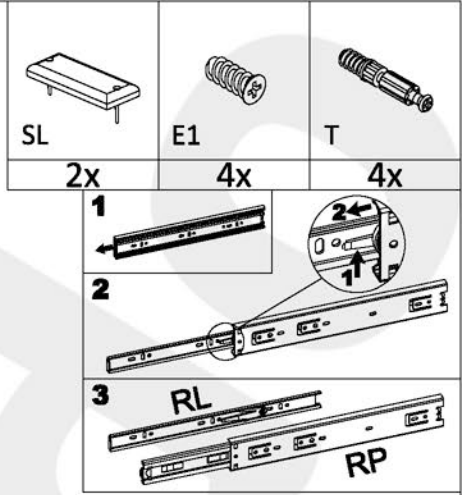
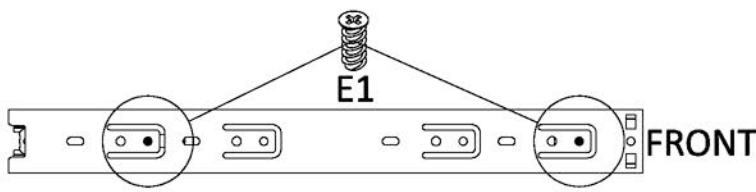
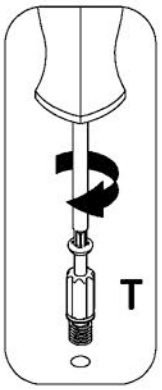


3

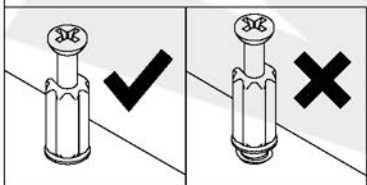
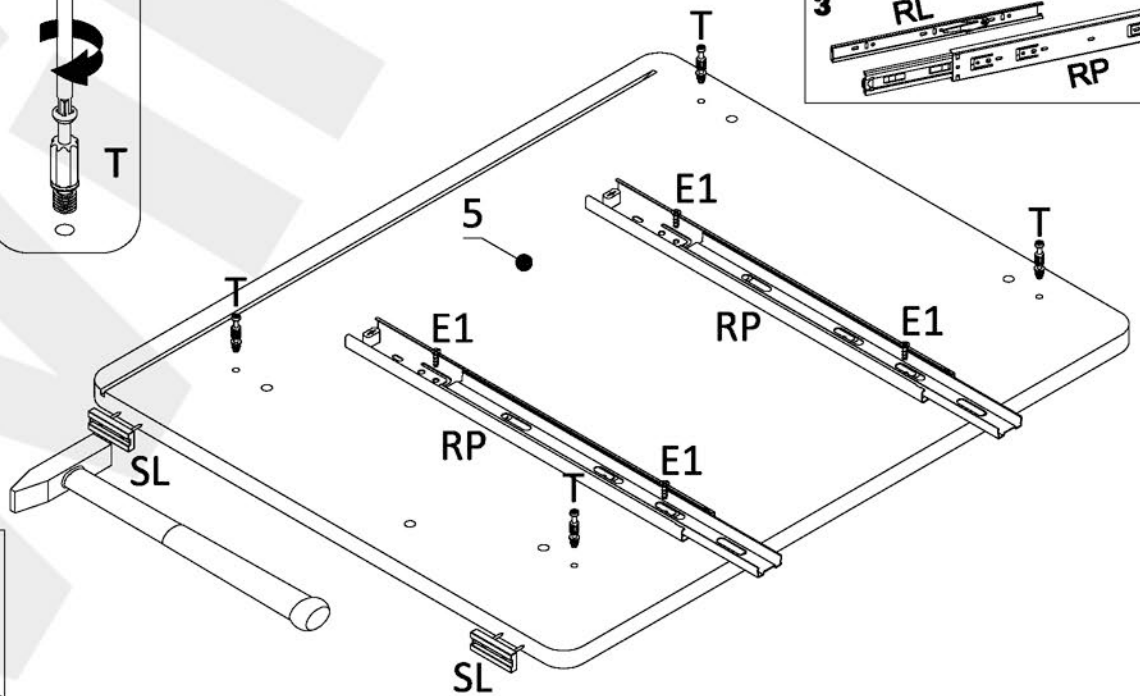
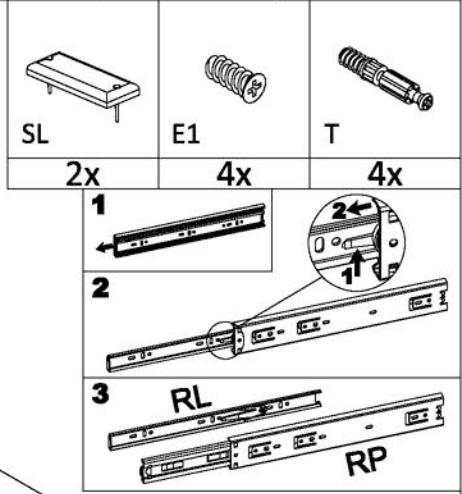
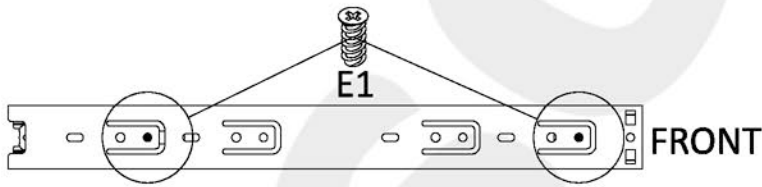
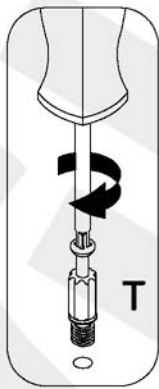
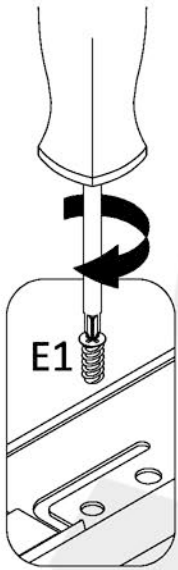
	
K	M
7x	4x



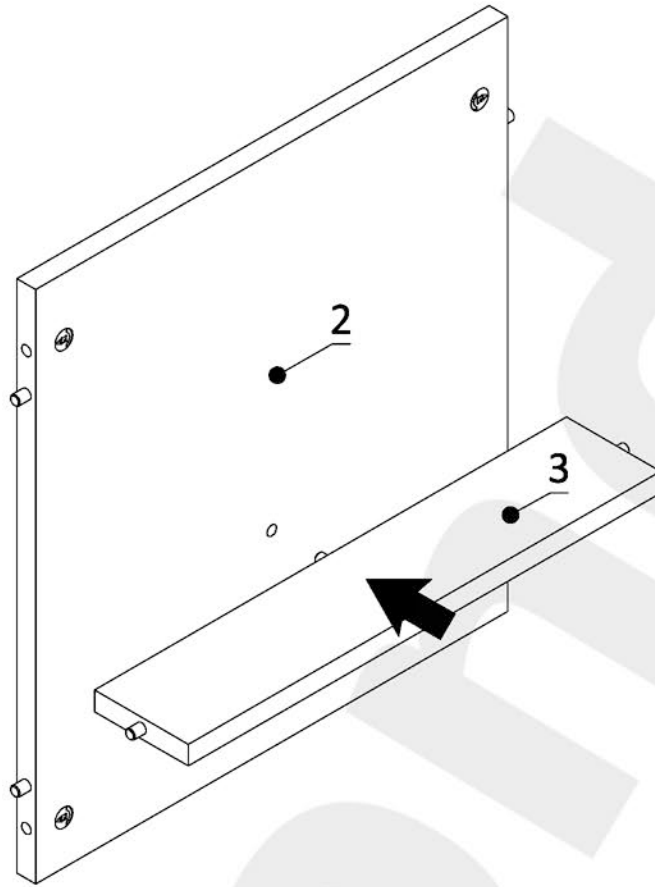
4



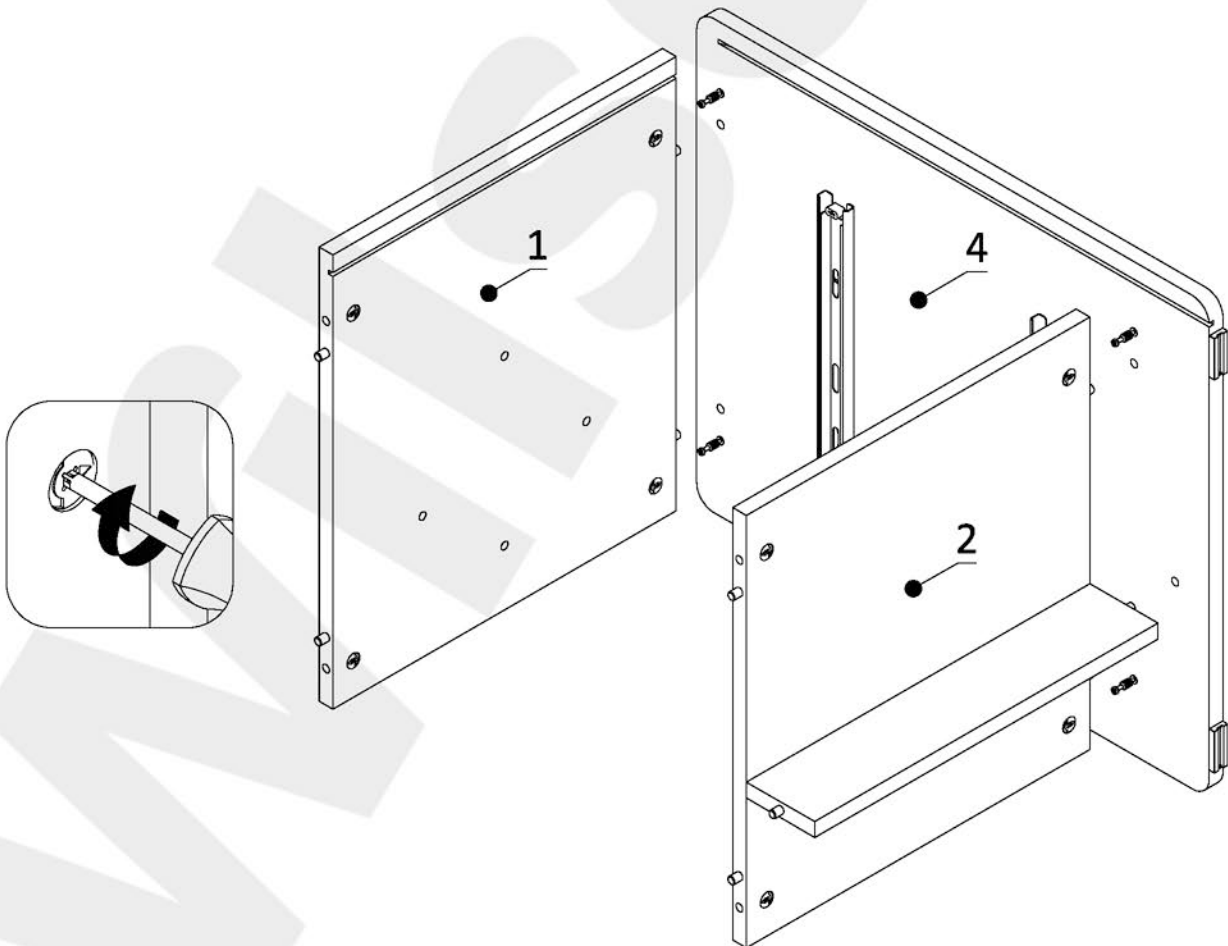
5



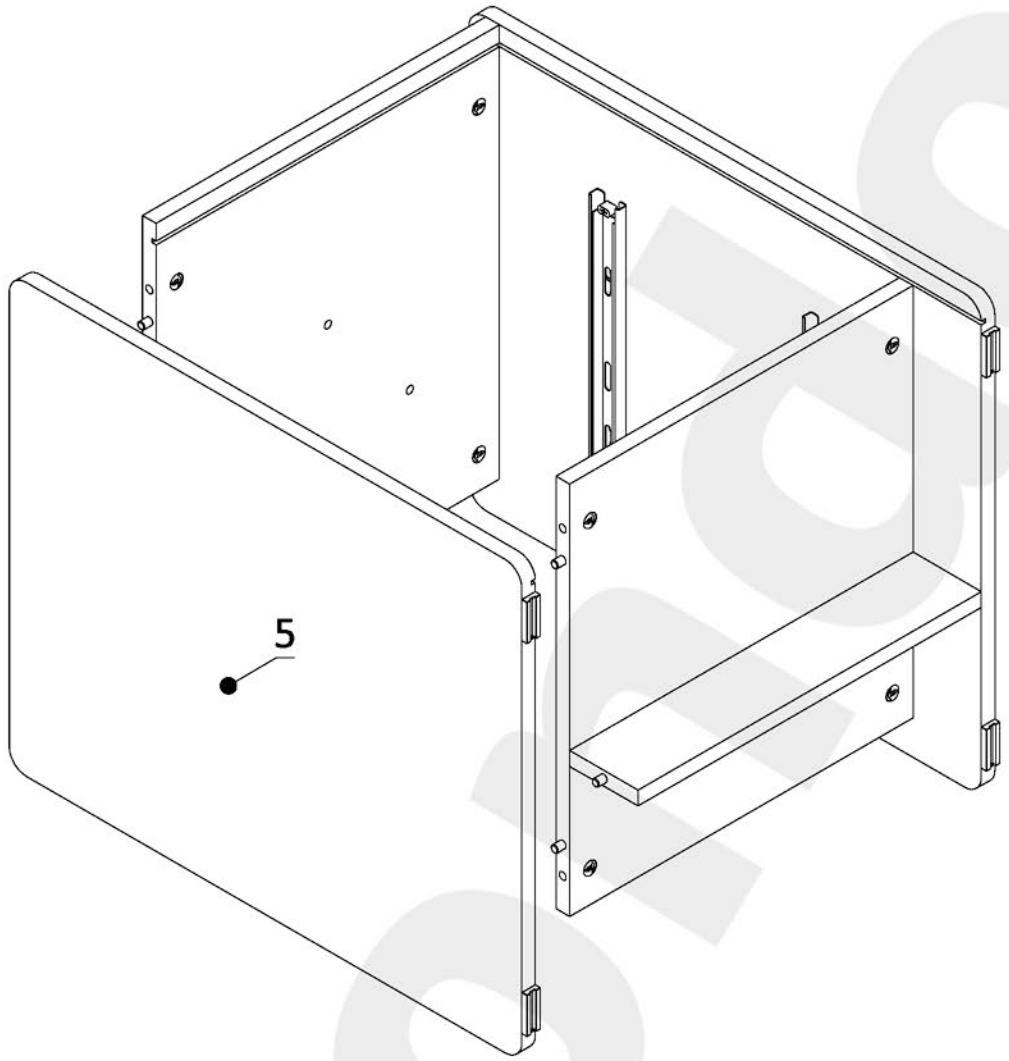
6



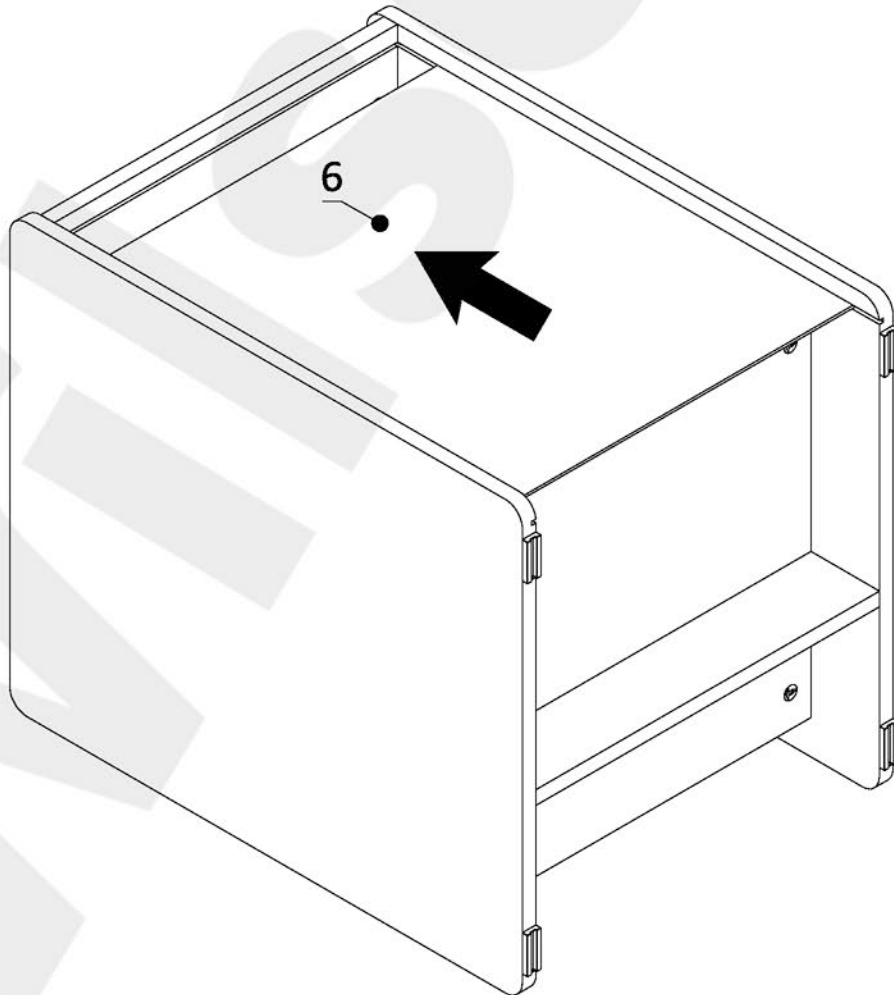
7



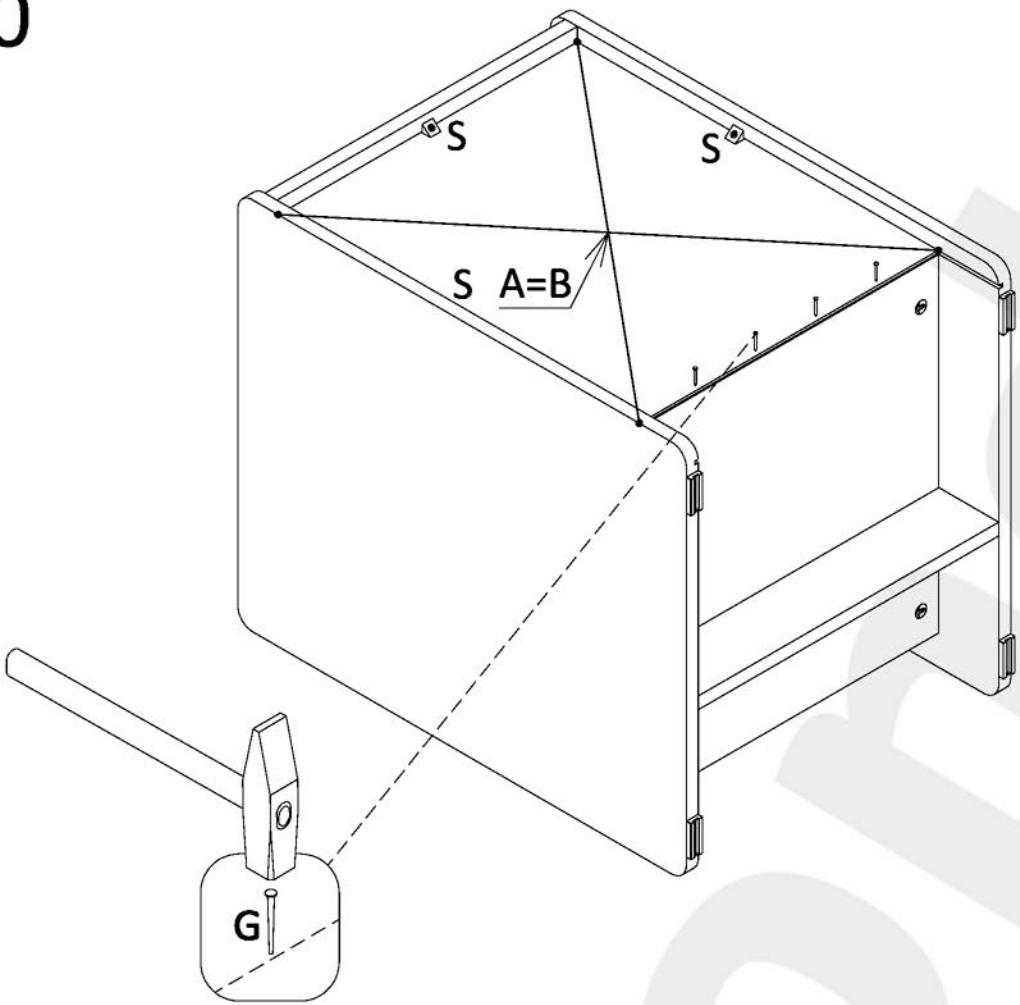
8





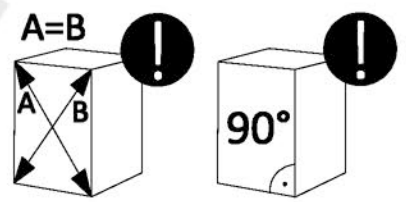
9



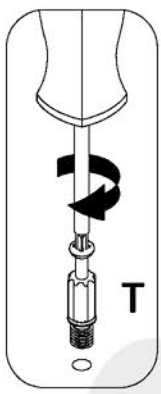
10





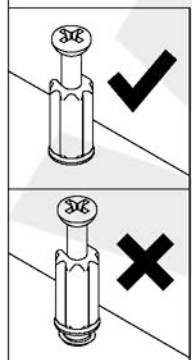
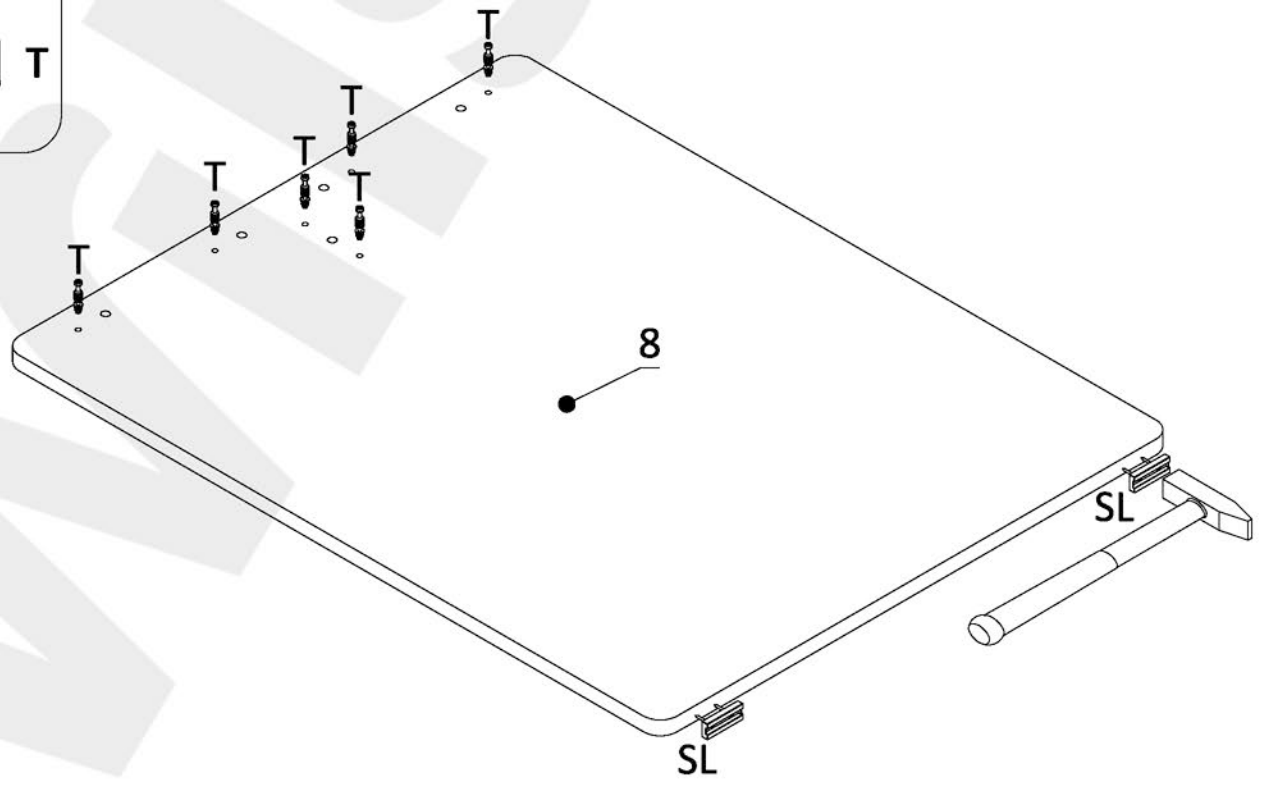
	
S	G
3x	4x



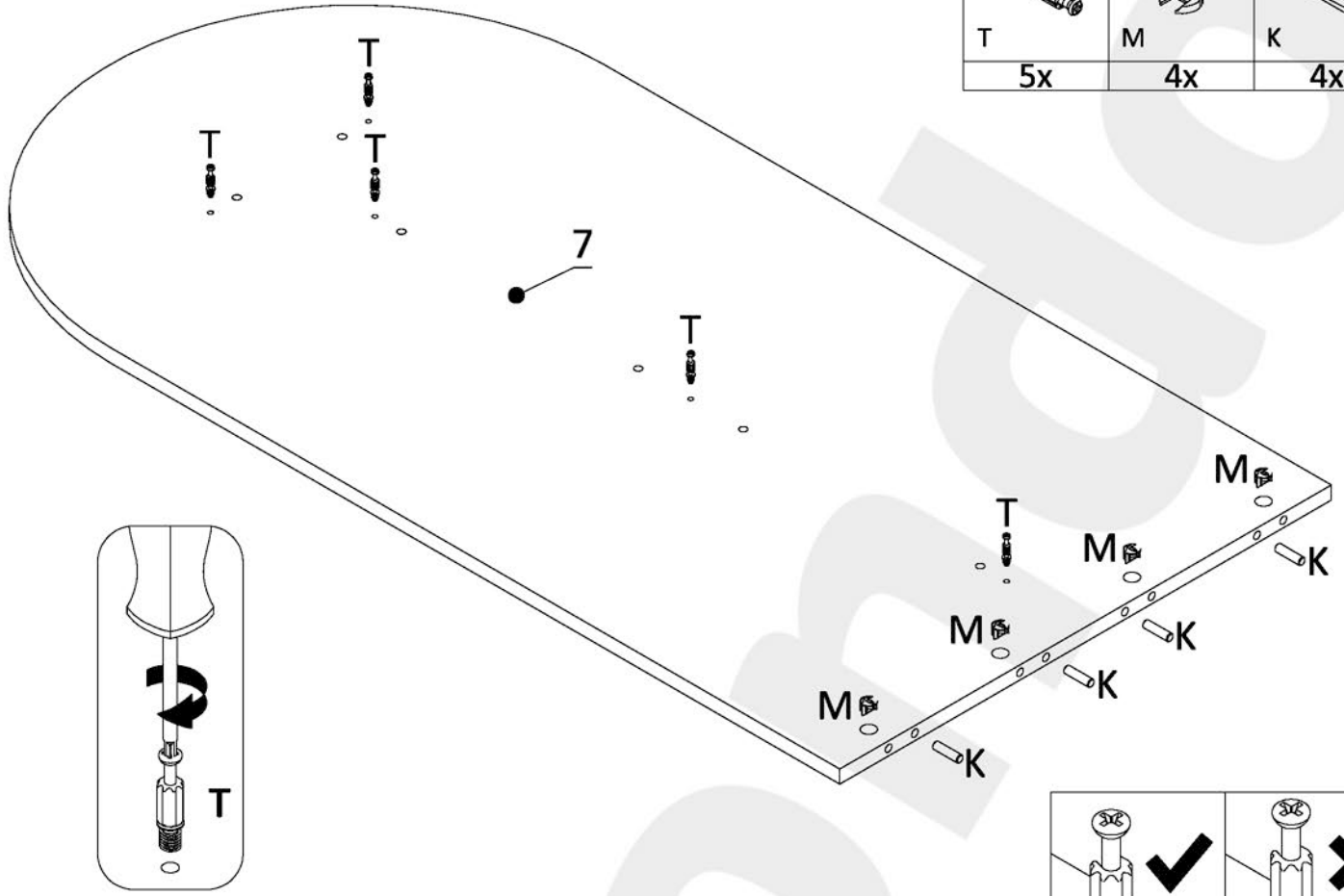
11



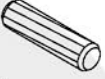


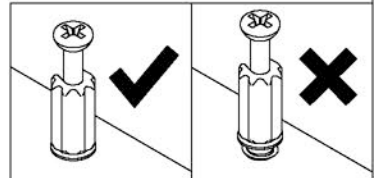
	
SL	T
2x	6x



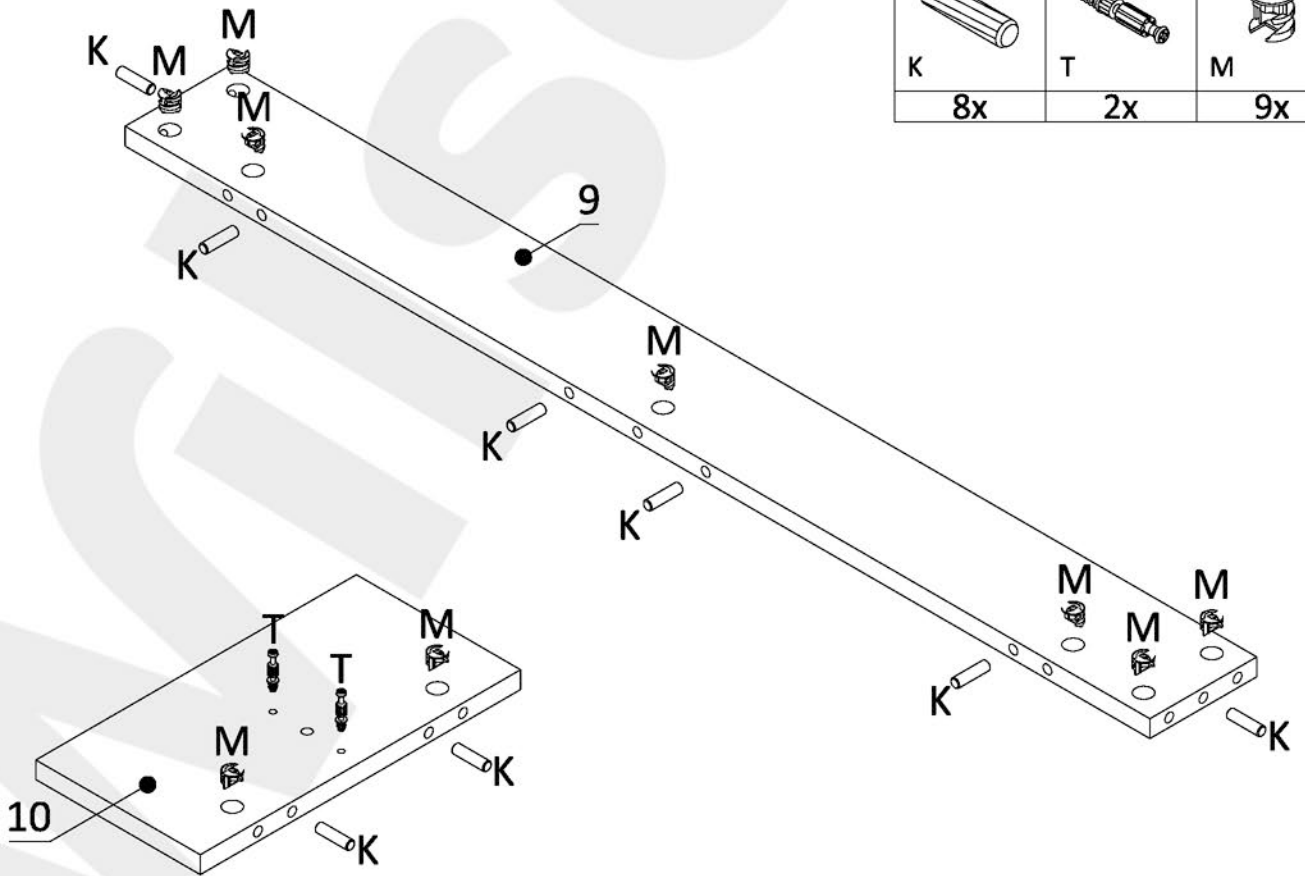
12

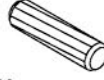




		
T	M	K
5x	4x	4x

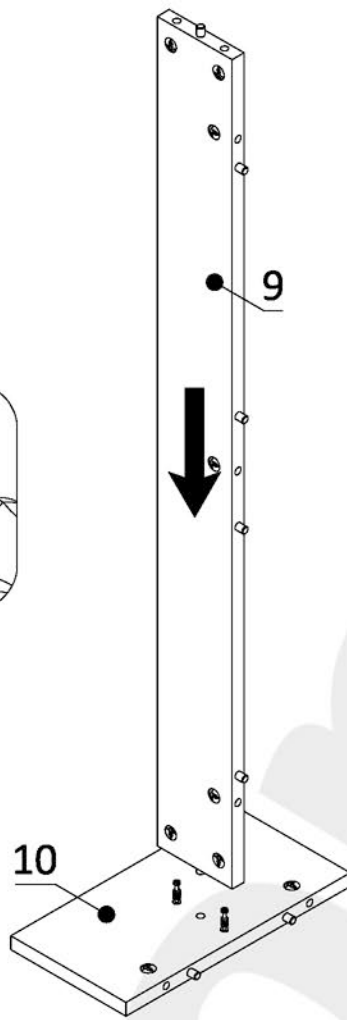


13

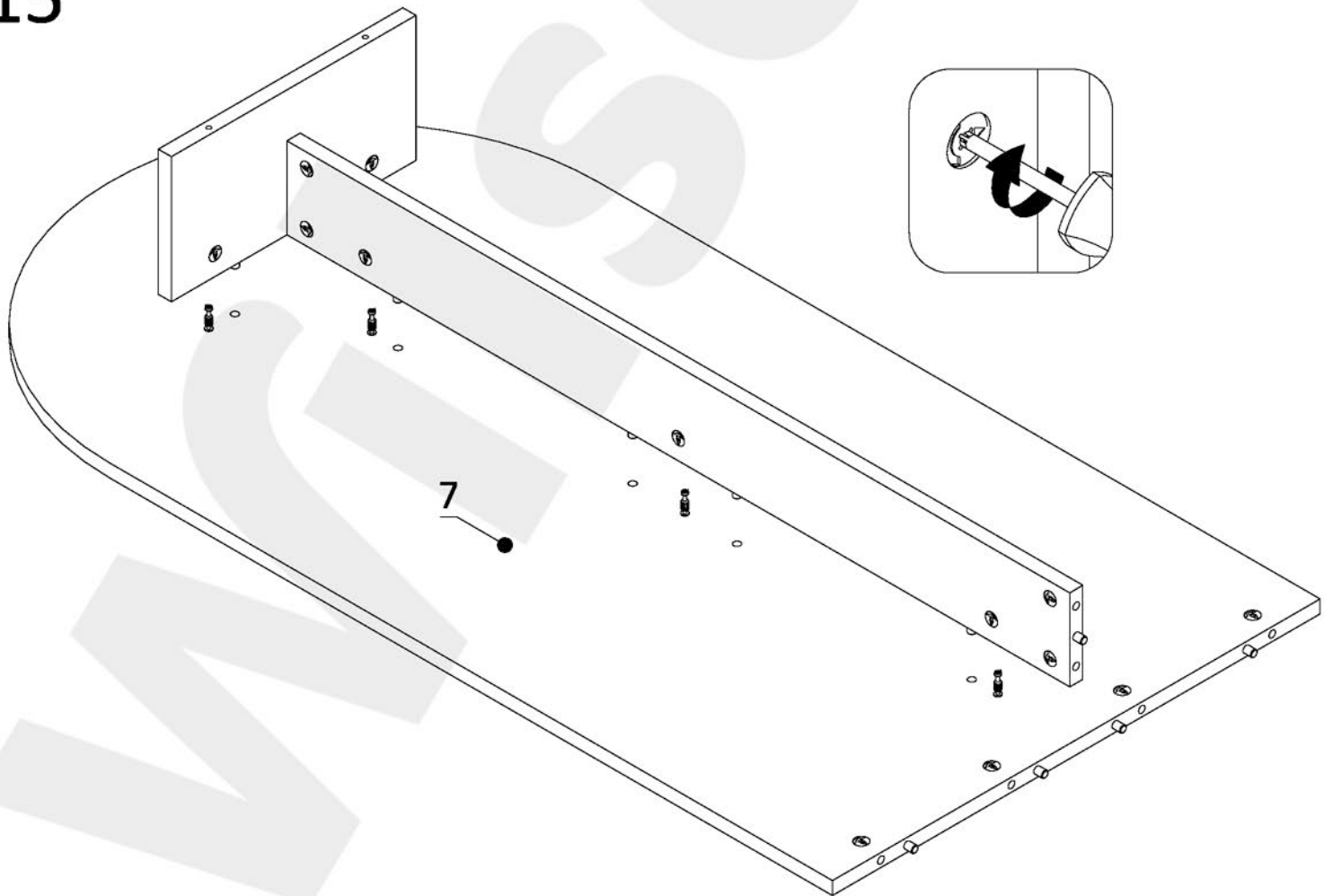
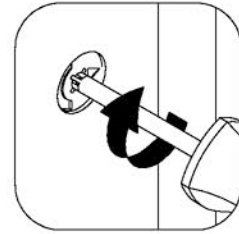


		
K	T	M
8x	2x	9x

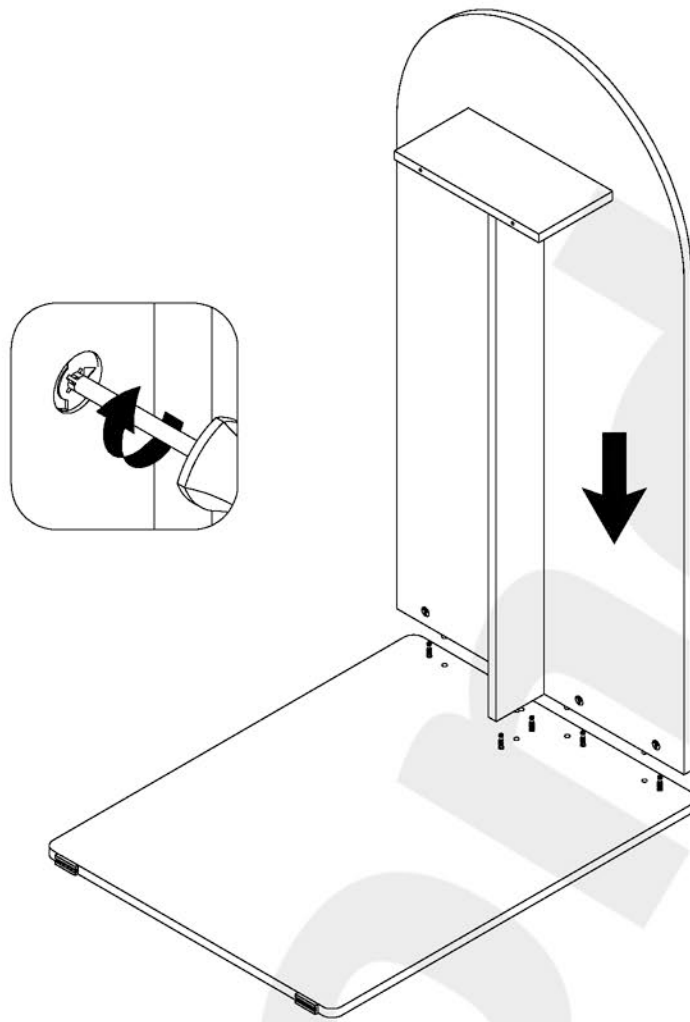
14



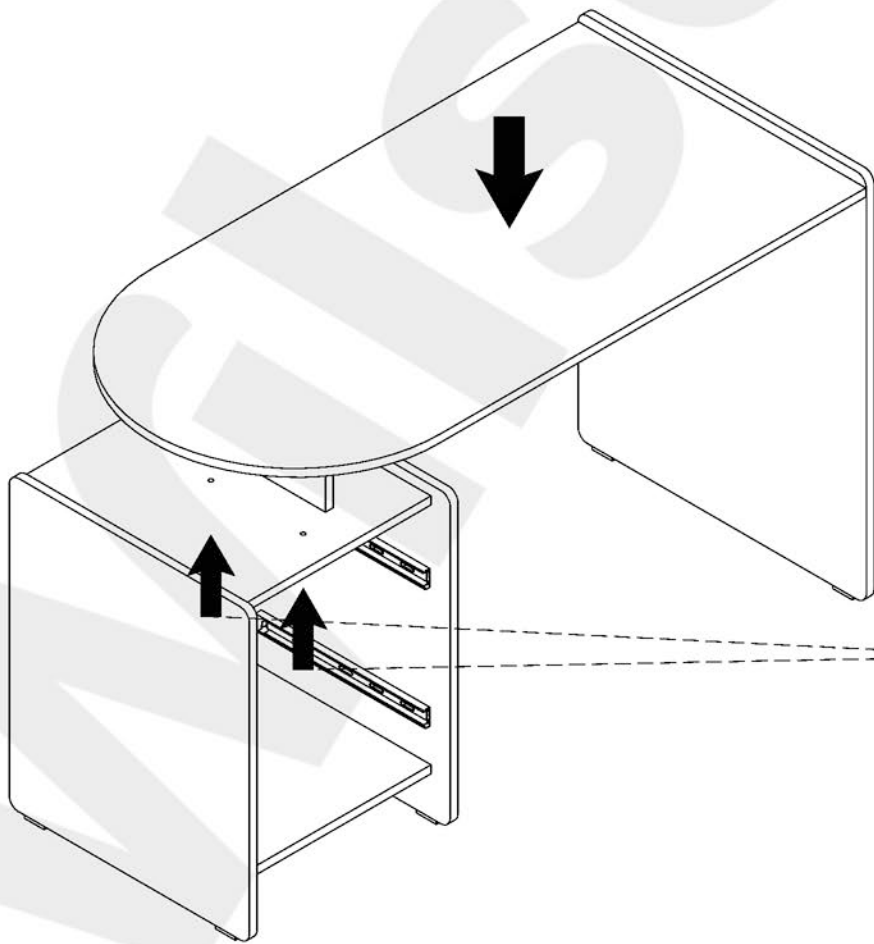
15





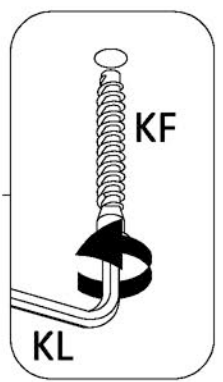
16



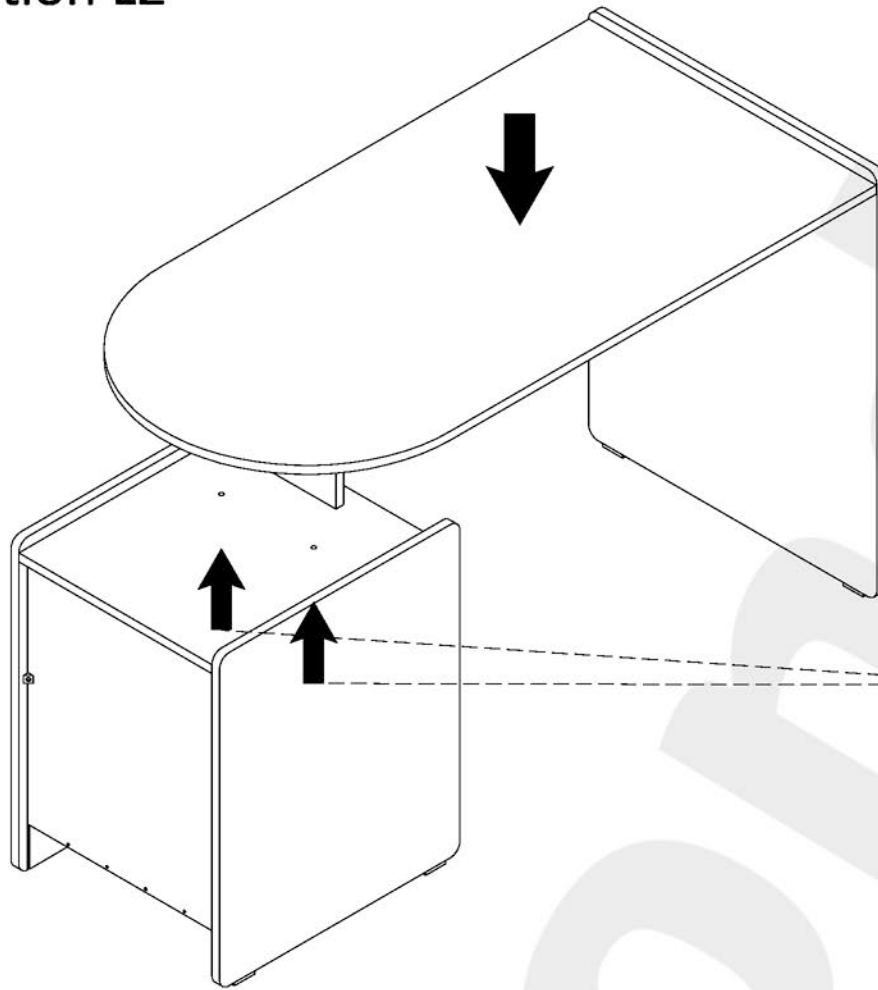
17 Option L


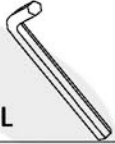


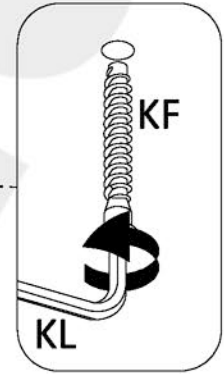
	
KF	KL
2x	1x



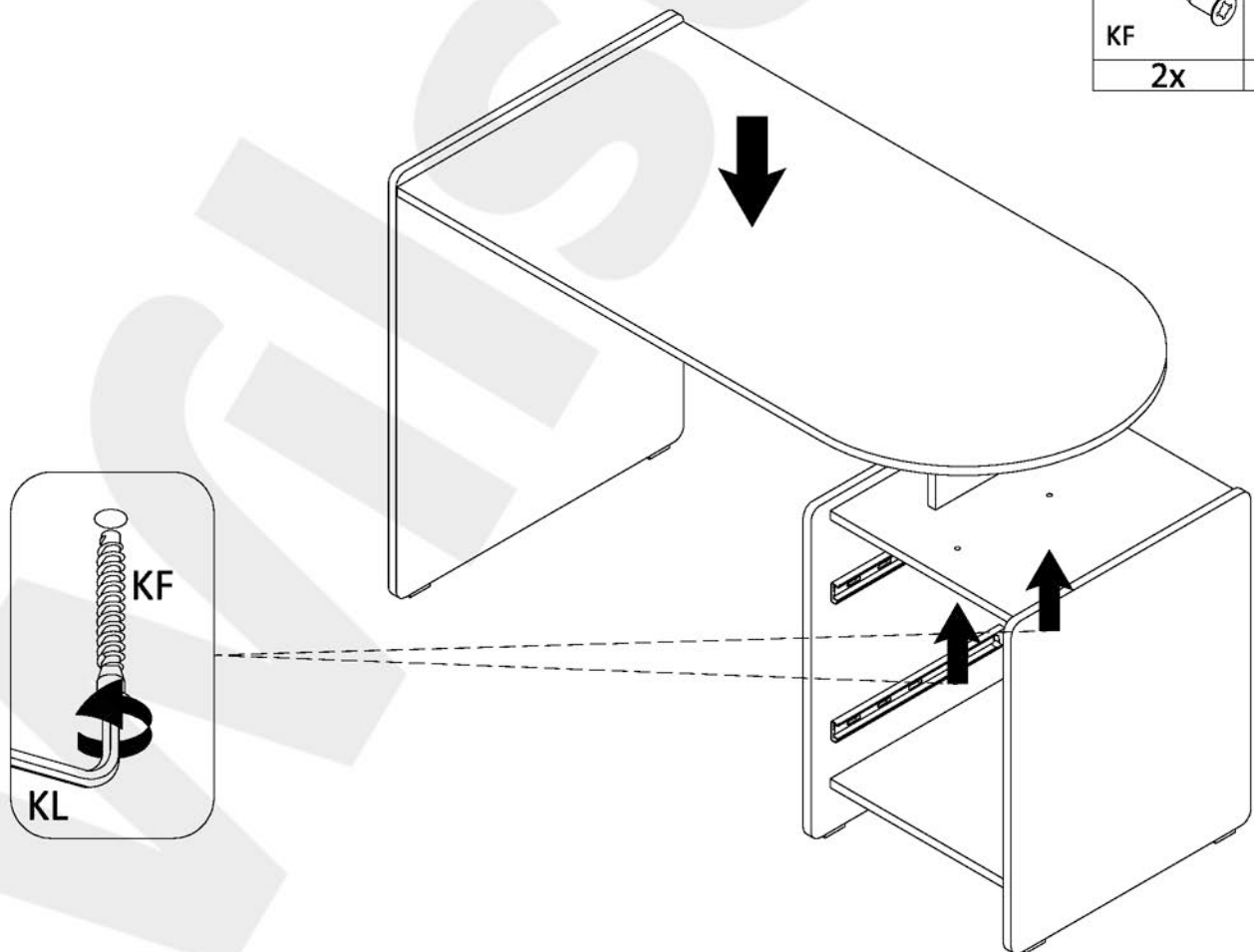
17 Option L2





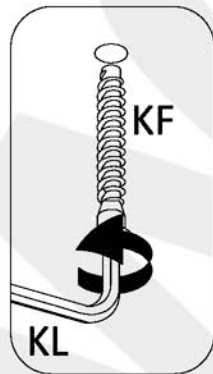
KF		KL	
2x		1x	





17 Option R

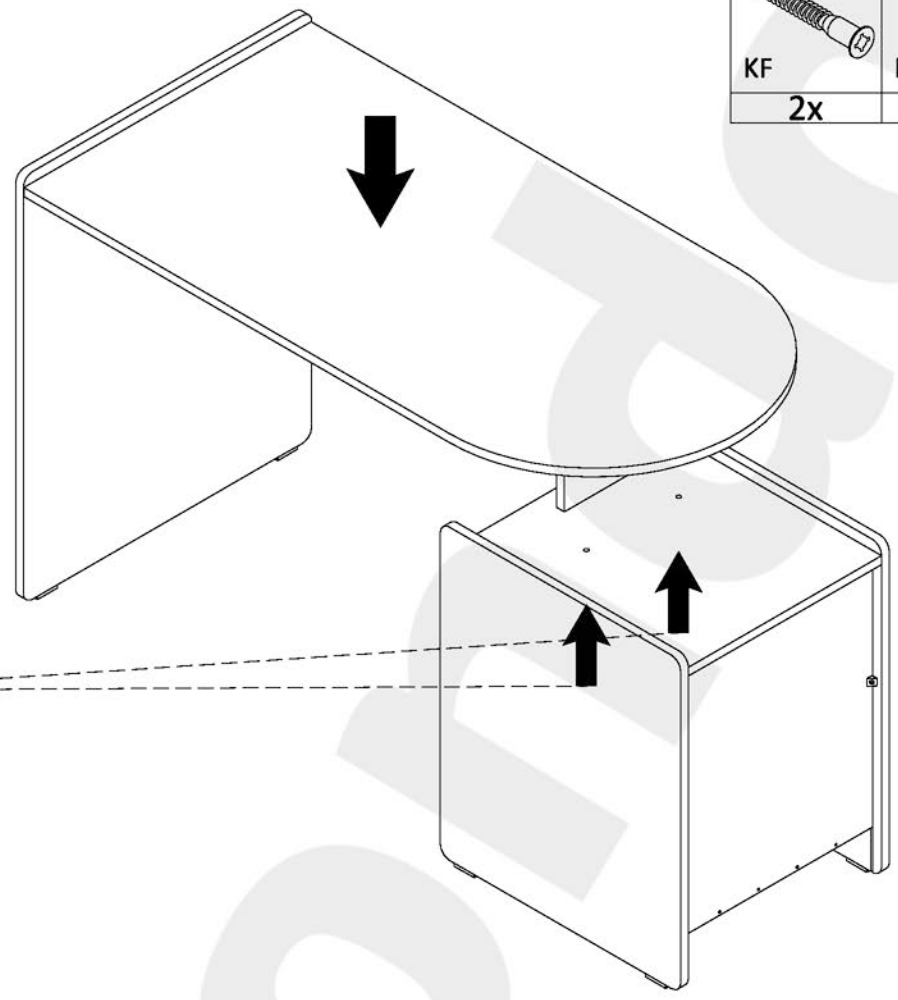
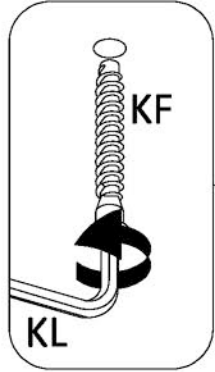


KF		KL	
2x		1x	





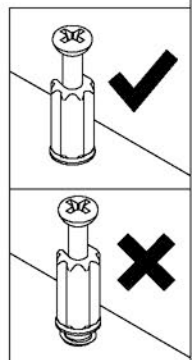
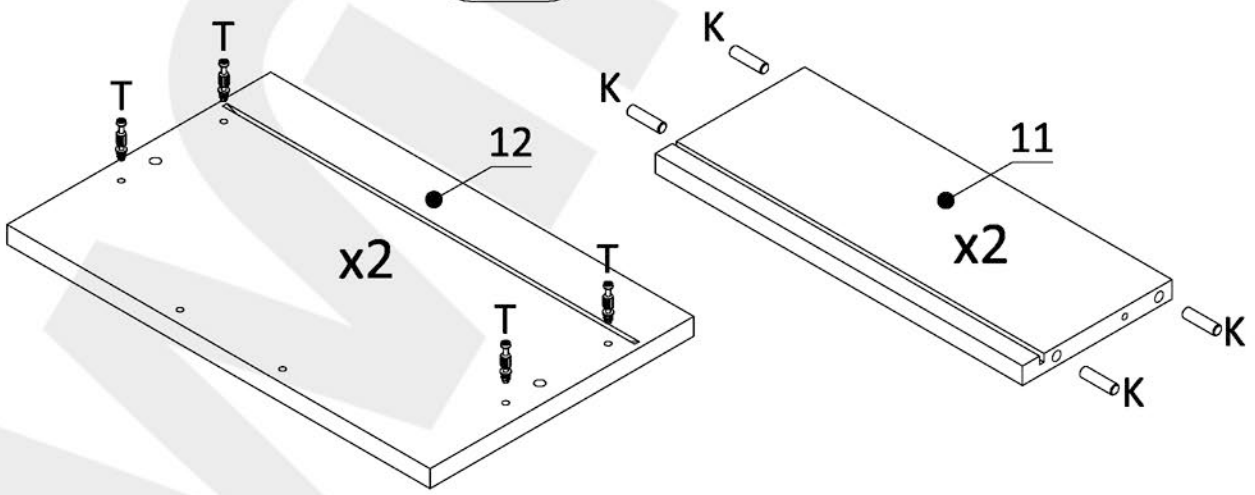
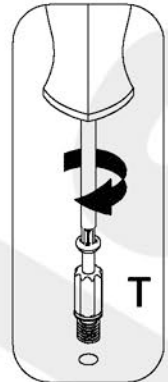
17 Option R2

	
KF	KL
2x	1x

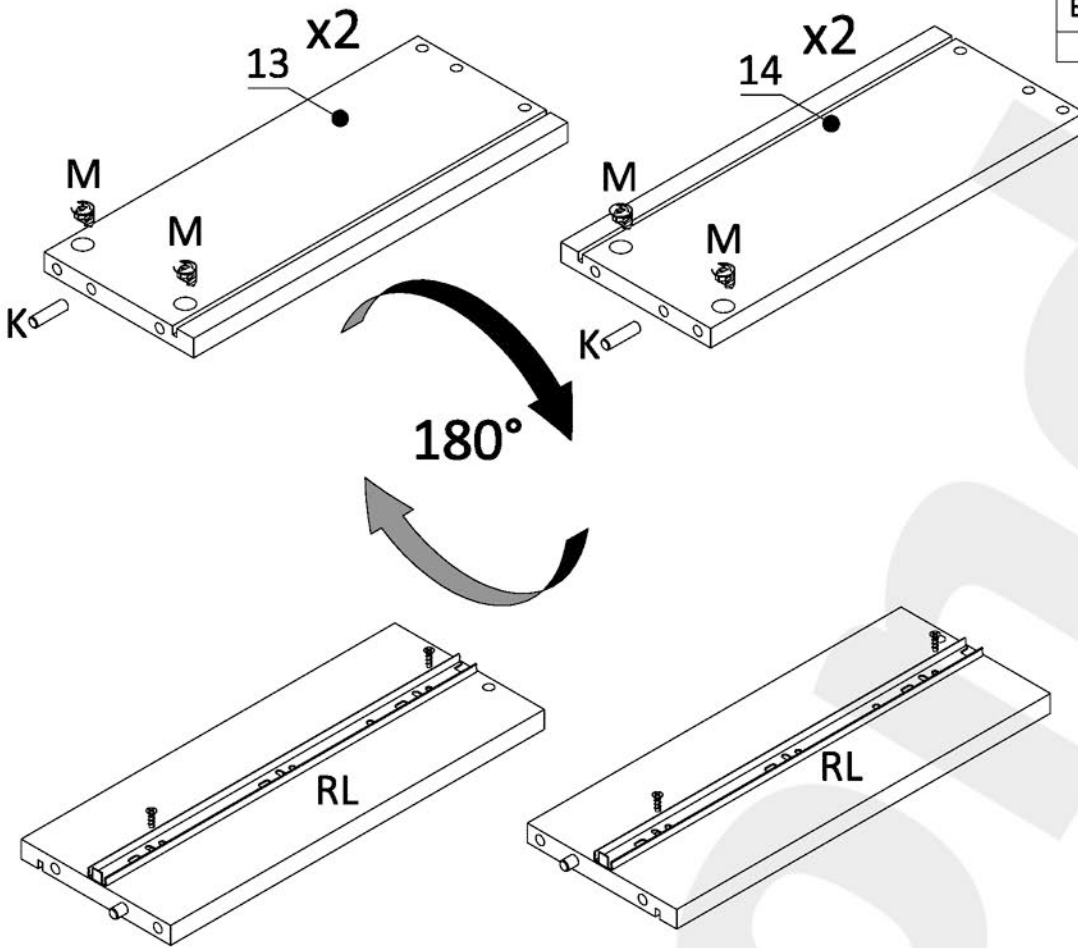


18

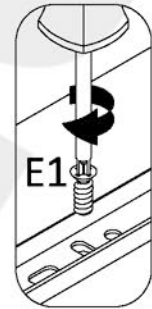
	
T	K
8x	8x



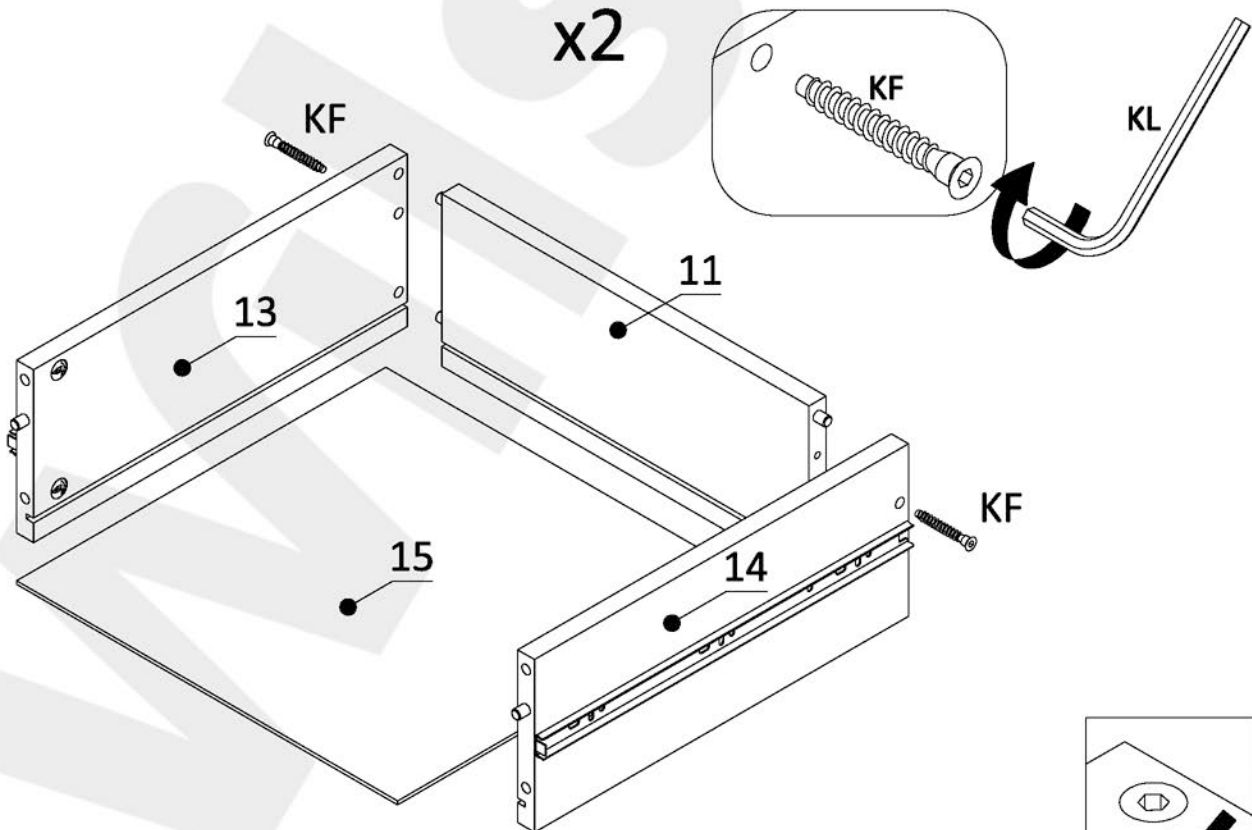
19



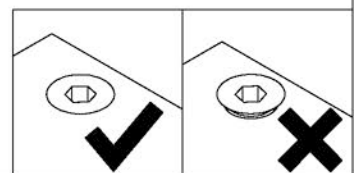
 E1 8x	 M 8x	 K 4x
 RL 2x		



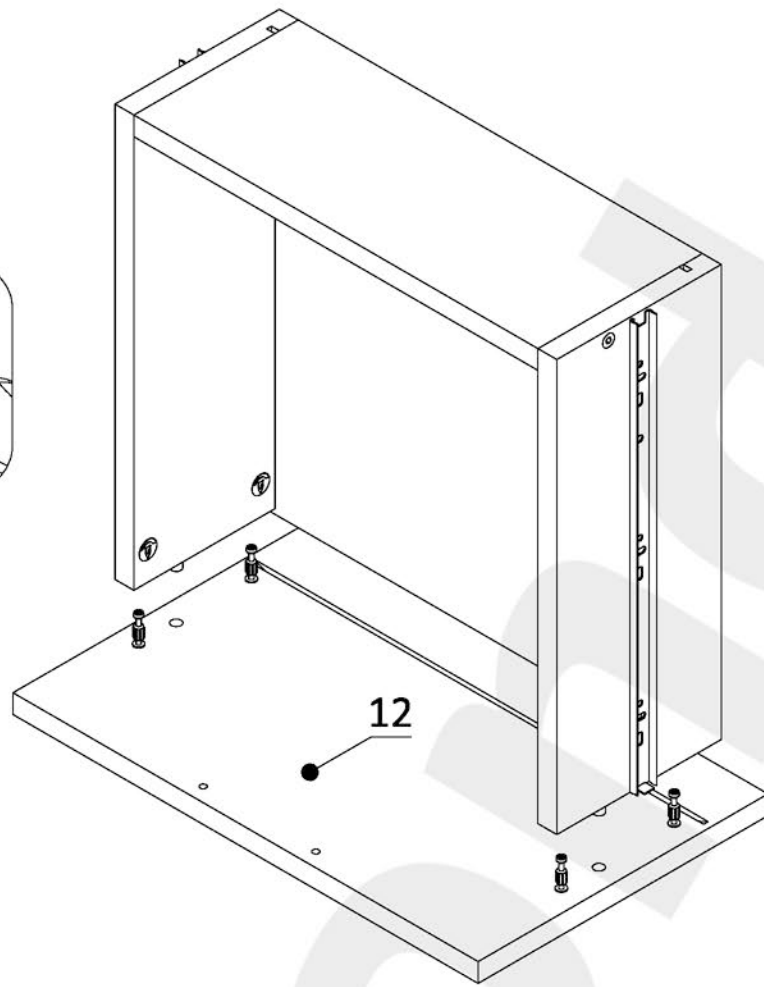
20



 KF 4x	 KL 1x
--------------	--------------

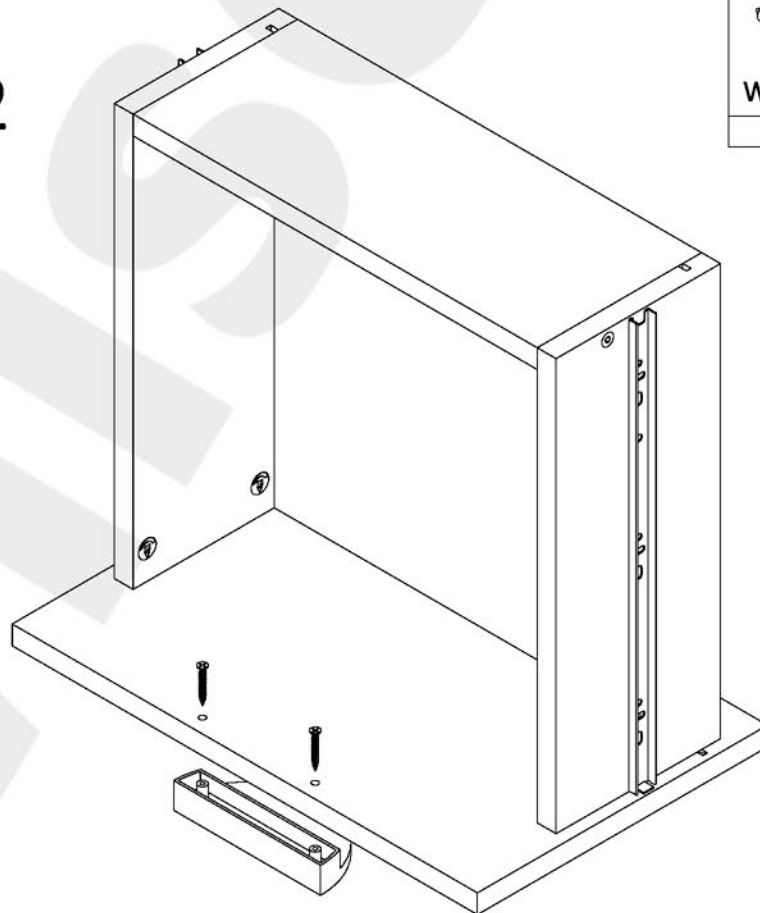
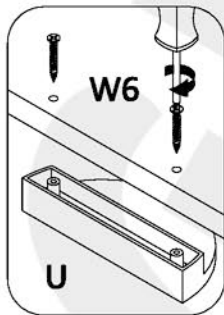




21



22

x2



 W6 4x	 U 2x
---	--

23

