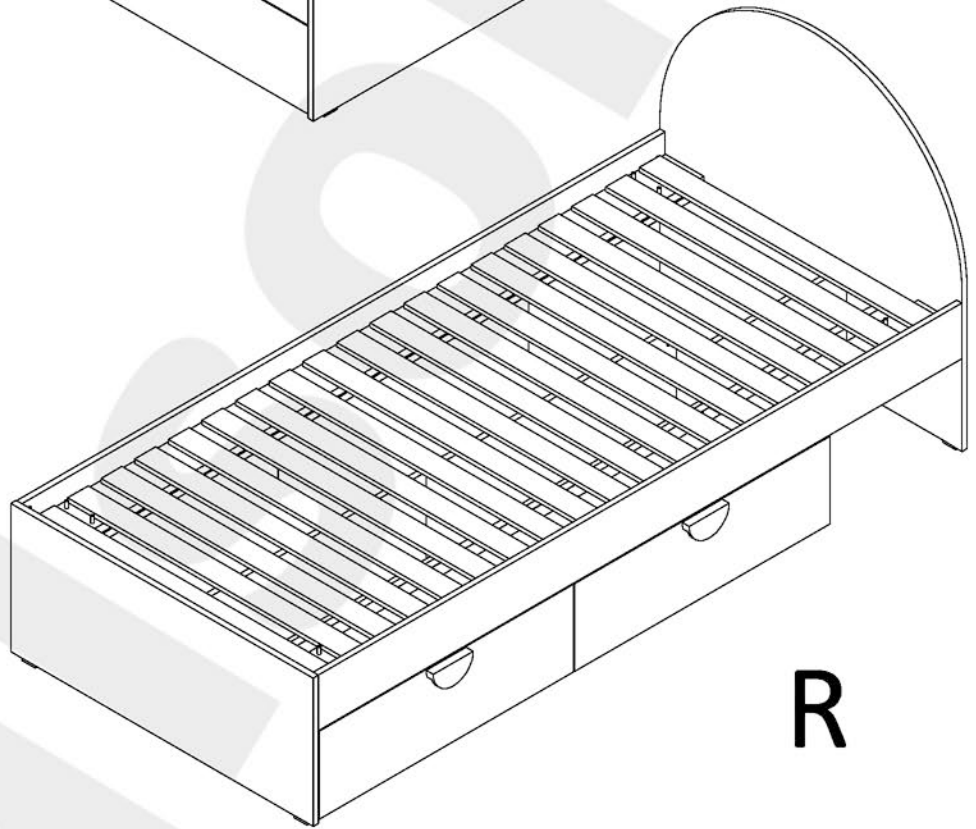
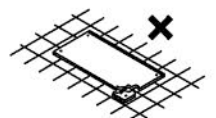
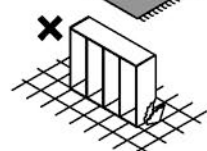
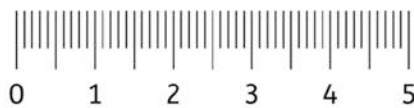
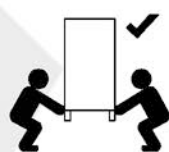
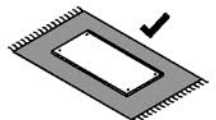
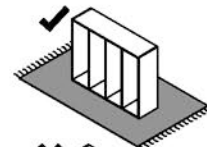
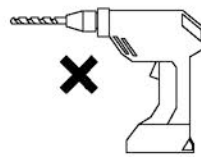
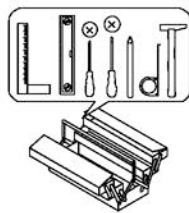
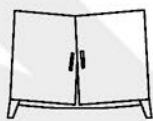
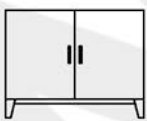
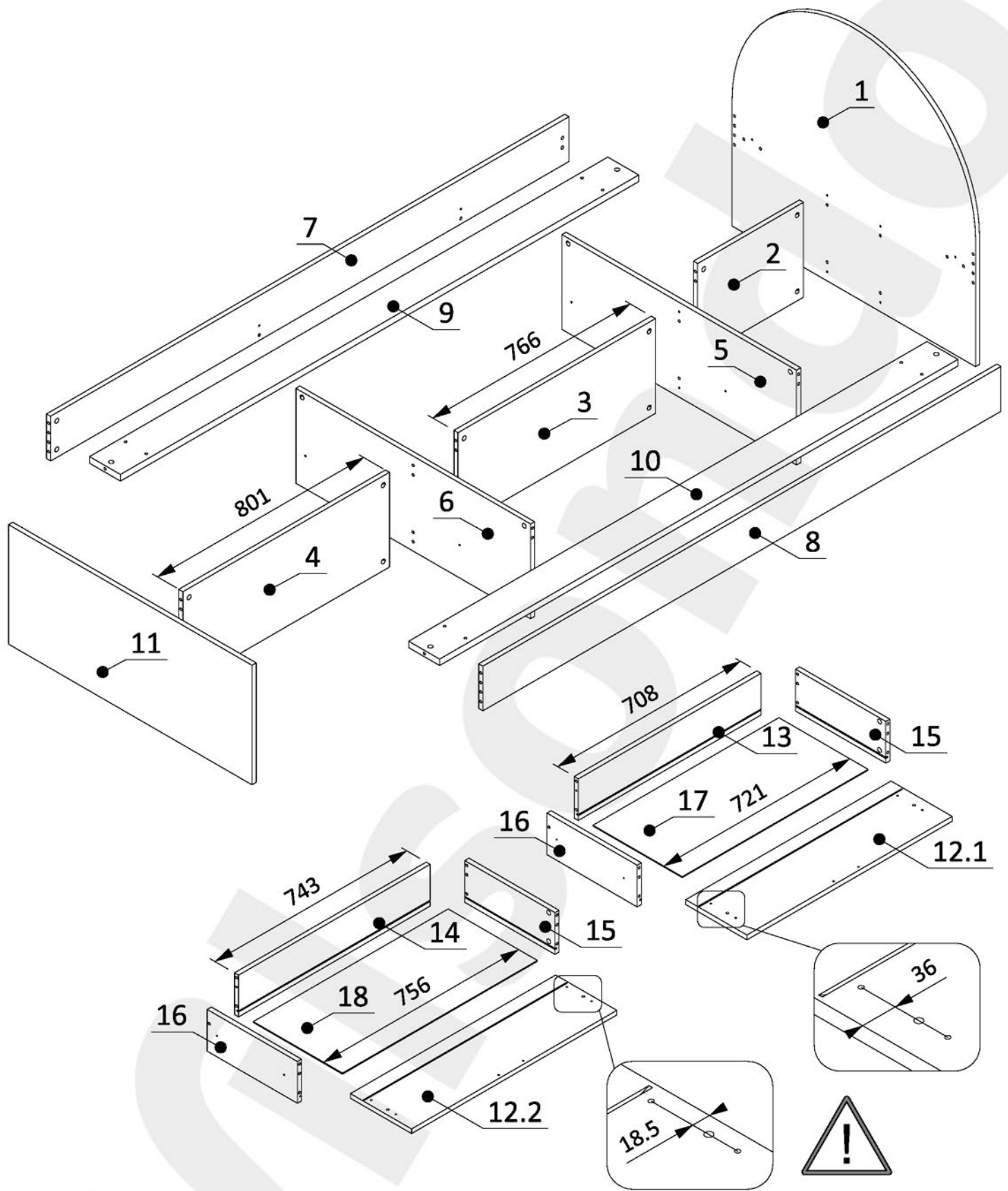









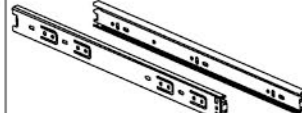










L



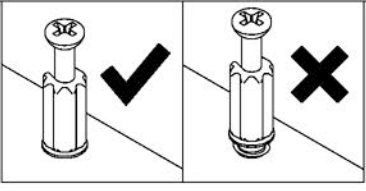
R






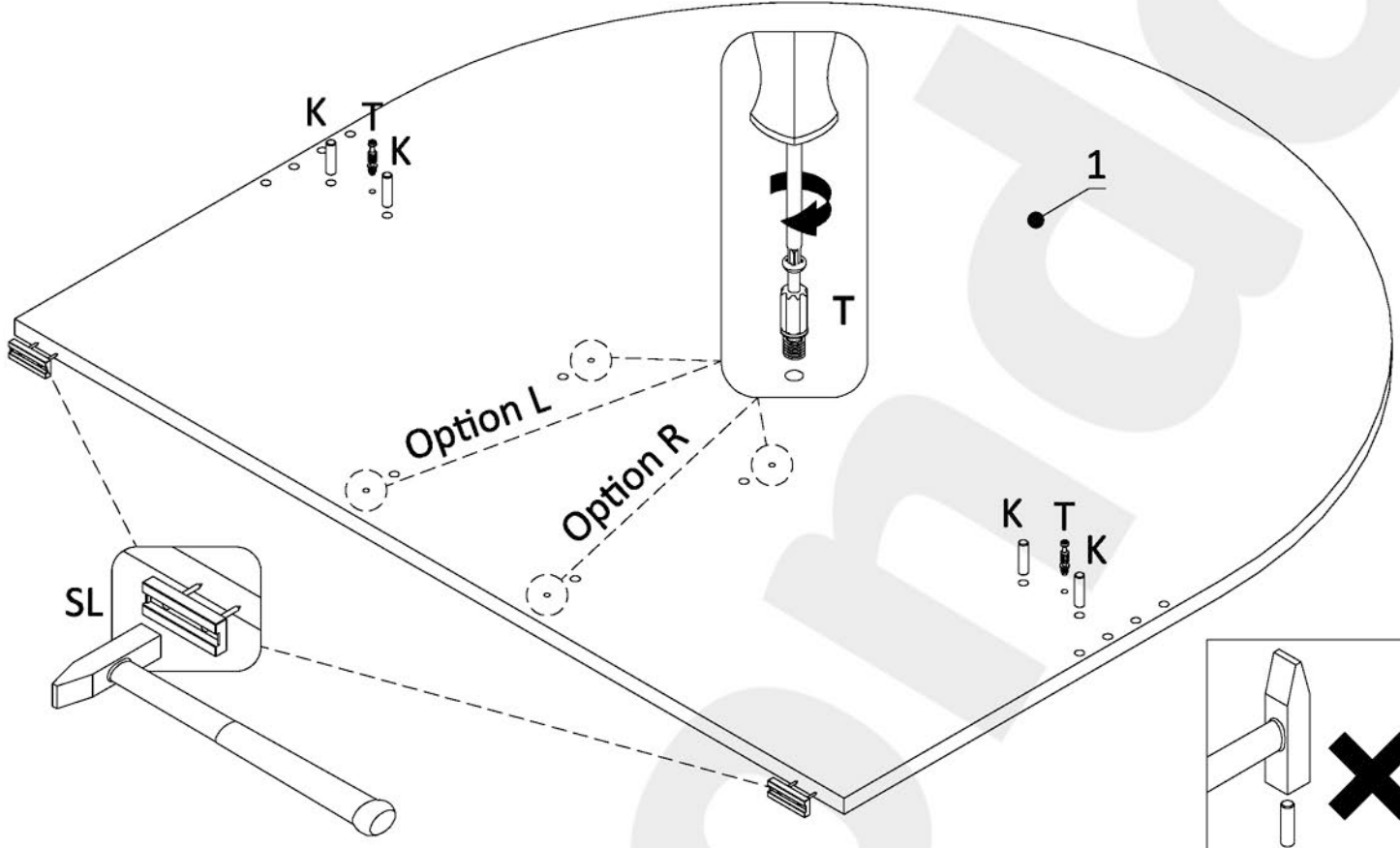


 E1	 W6	 T1	 T	 M	 K1	 K	 2x PK-OH35-350			
5x13 12x	4x30 4x	L56 2x	L20,3 28x	15/12 32x	8x45 2x	8x30 48x				
 KF	 S5	 S6	 S2	 TL	 U	 KL	 SL	 ZM	 ZK	
7x50 4x	M6x55 4x	M6x13 4x	M4x8 4x	M4x15 2x		SW4 1x	8x 8x	32x 32x	4x 4x	



1

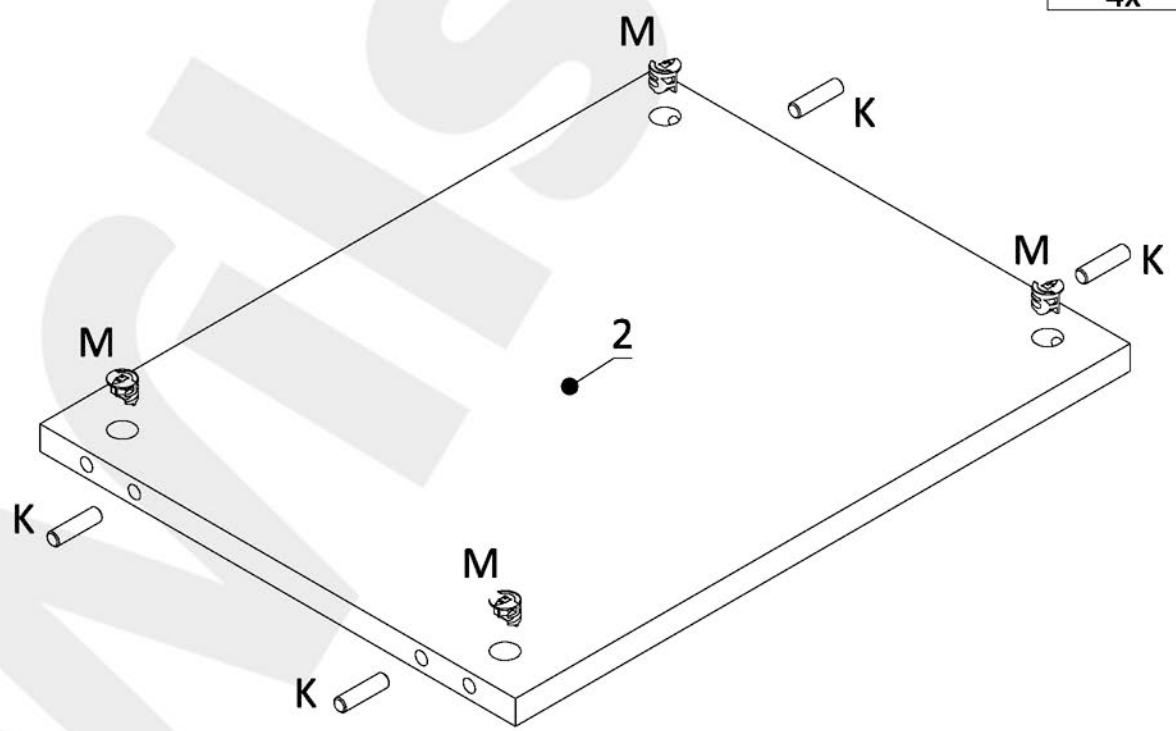


		
SL	T	K
2x	47x	4x






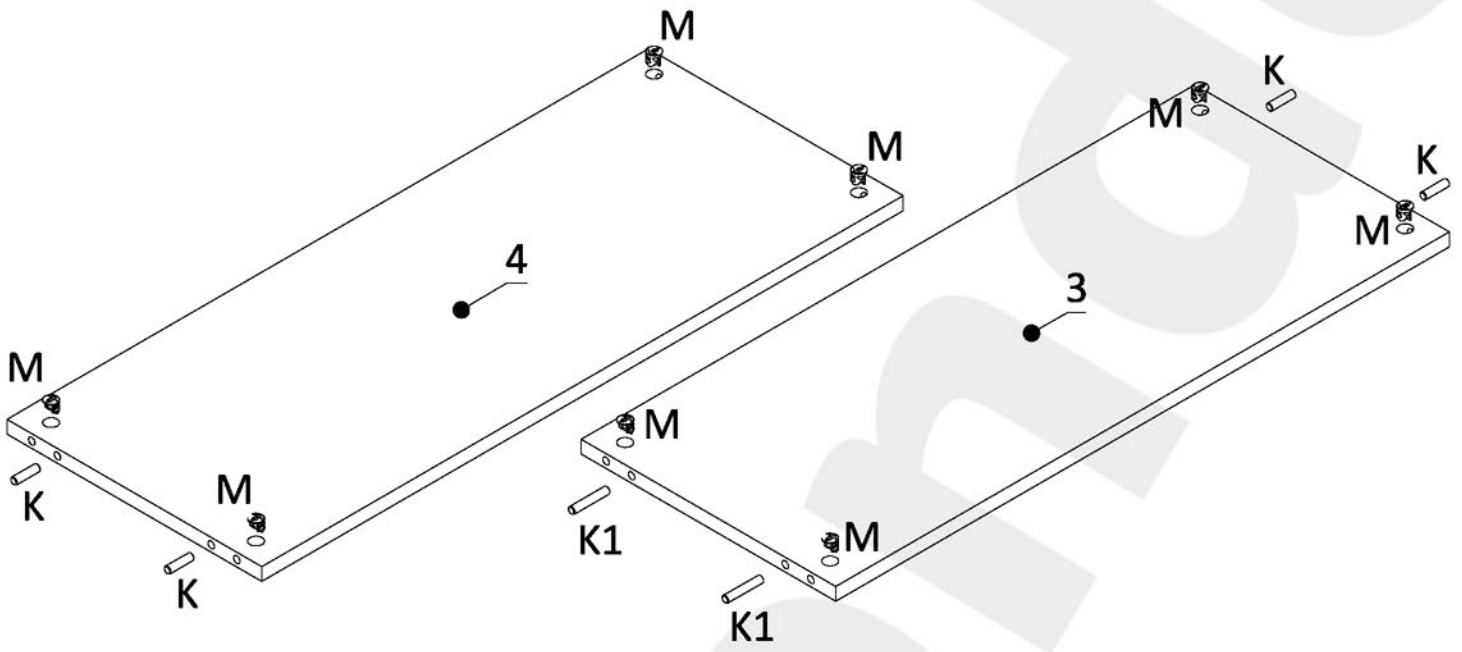
2

	
M	K
4x	4x





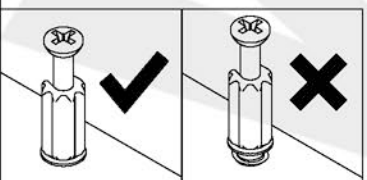
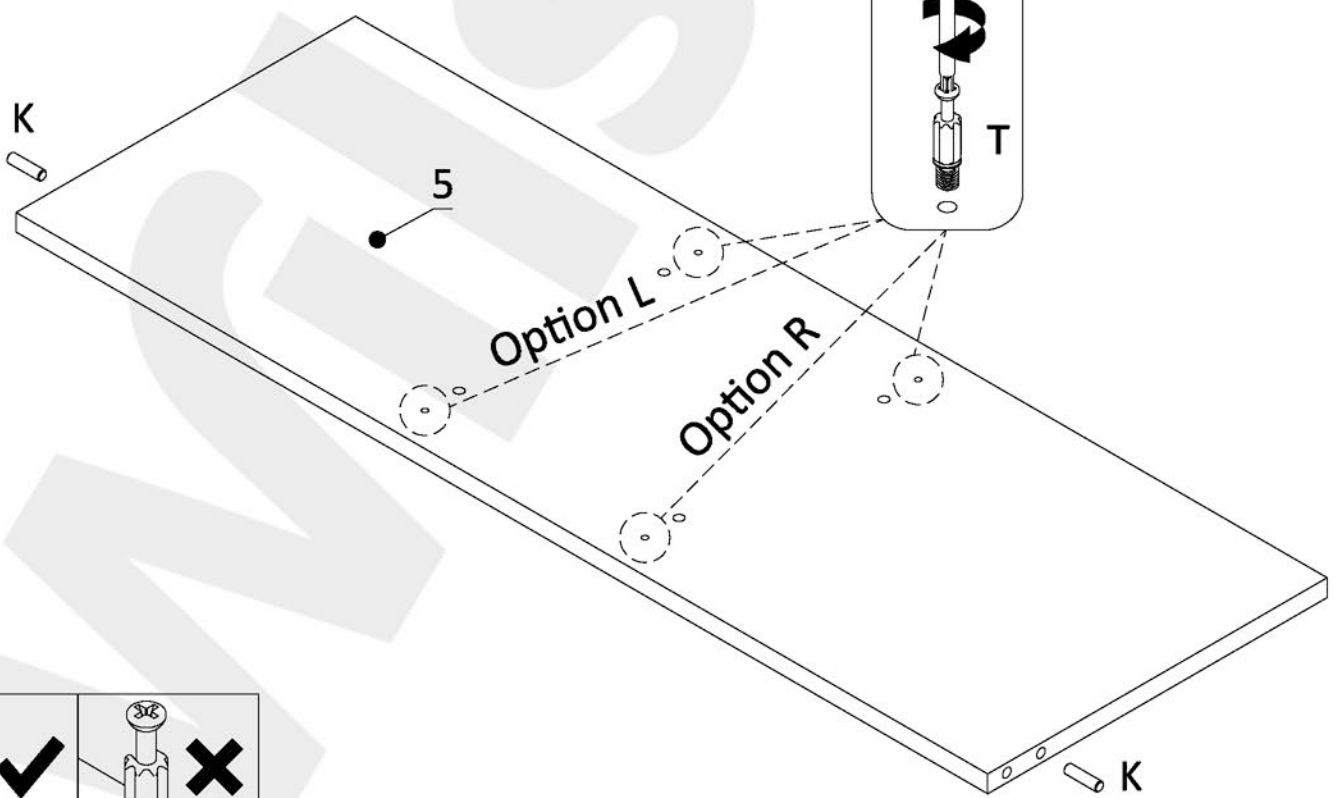
# 3

		
M	K	K1
8x	4x	2x






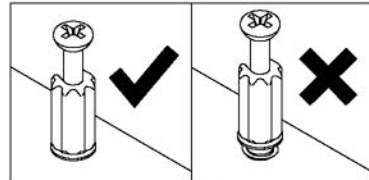
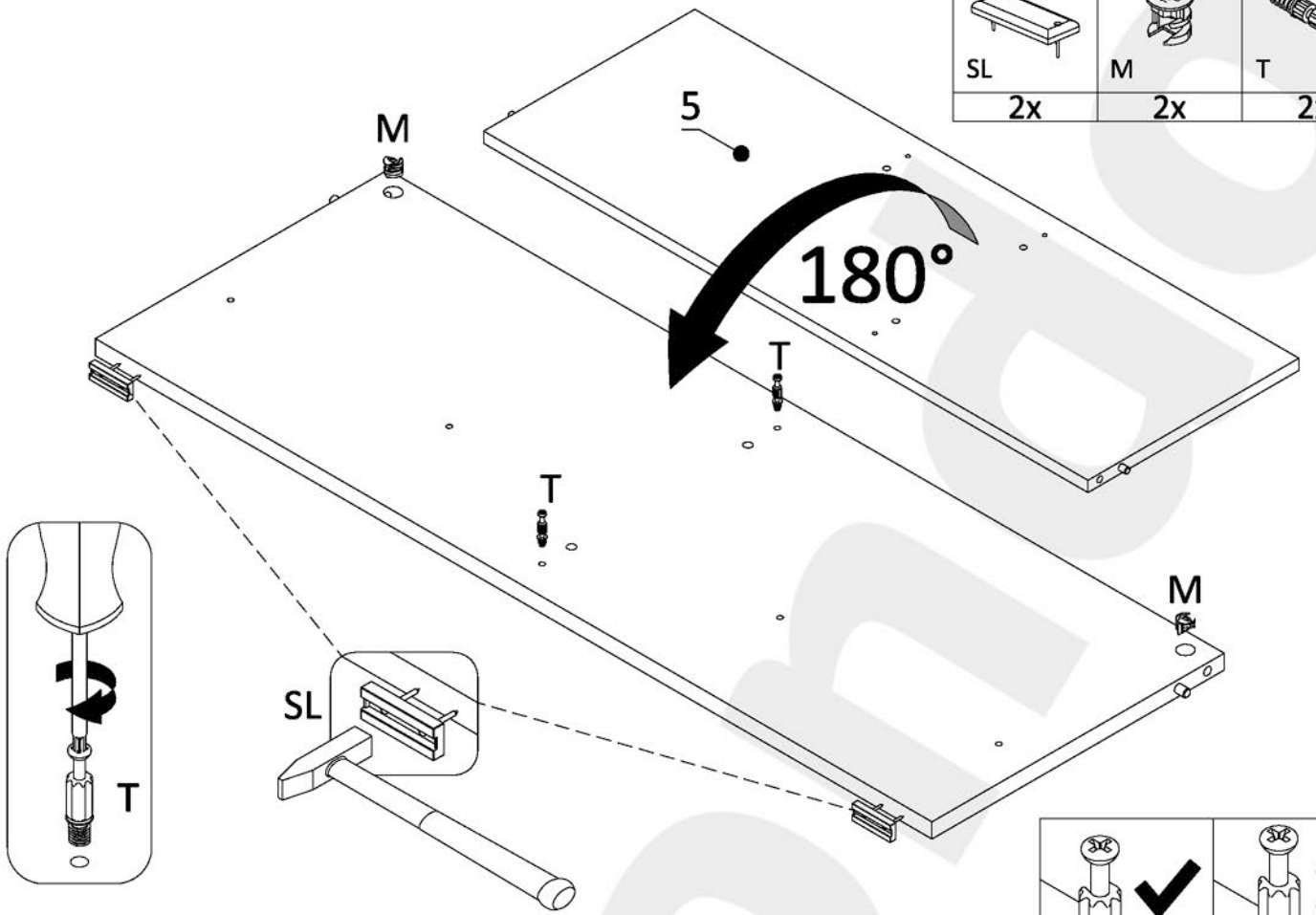
# 4

	
T	K
2x	2x

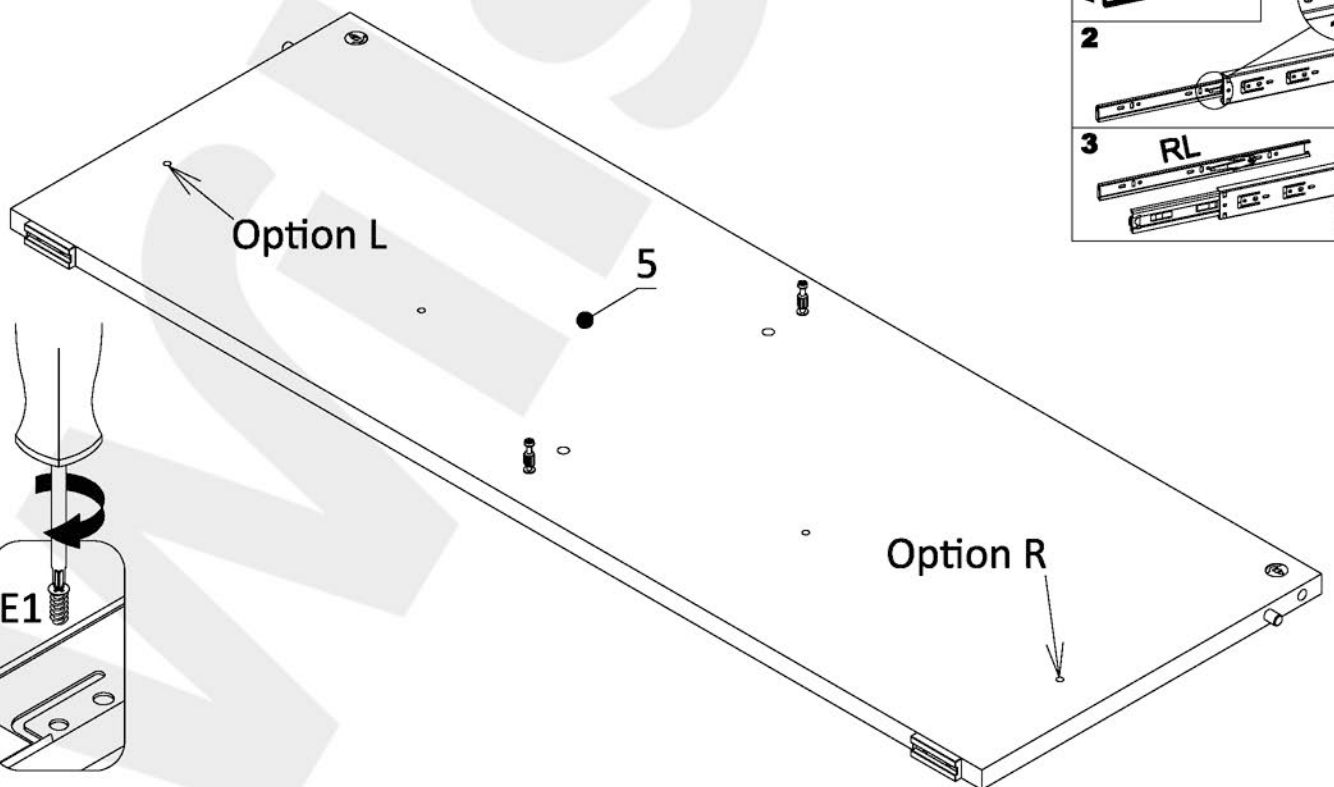
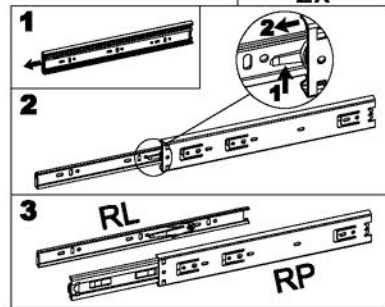
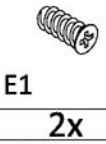
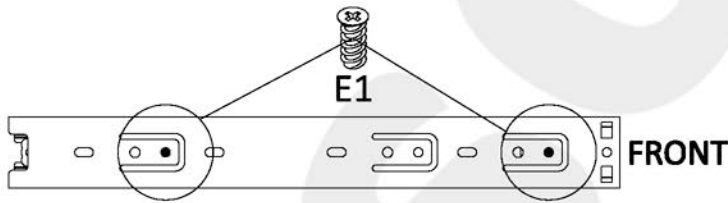


5



		
SL 2x	M 2x	T 2x

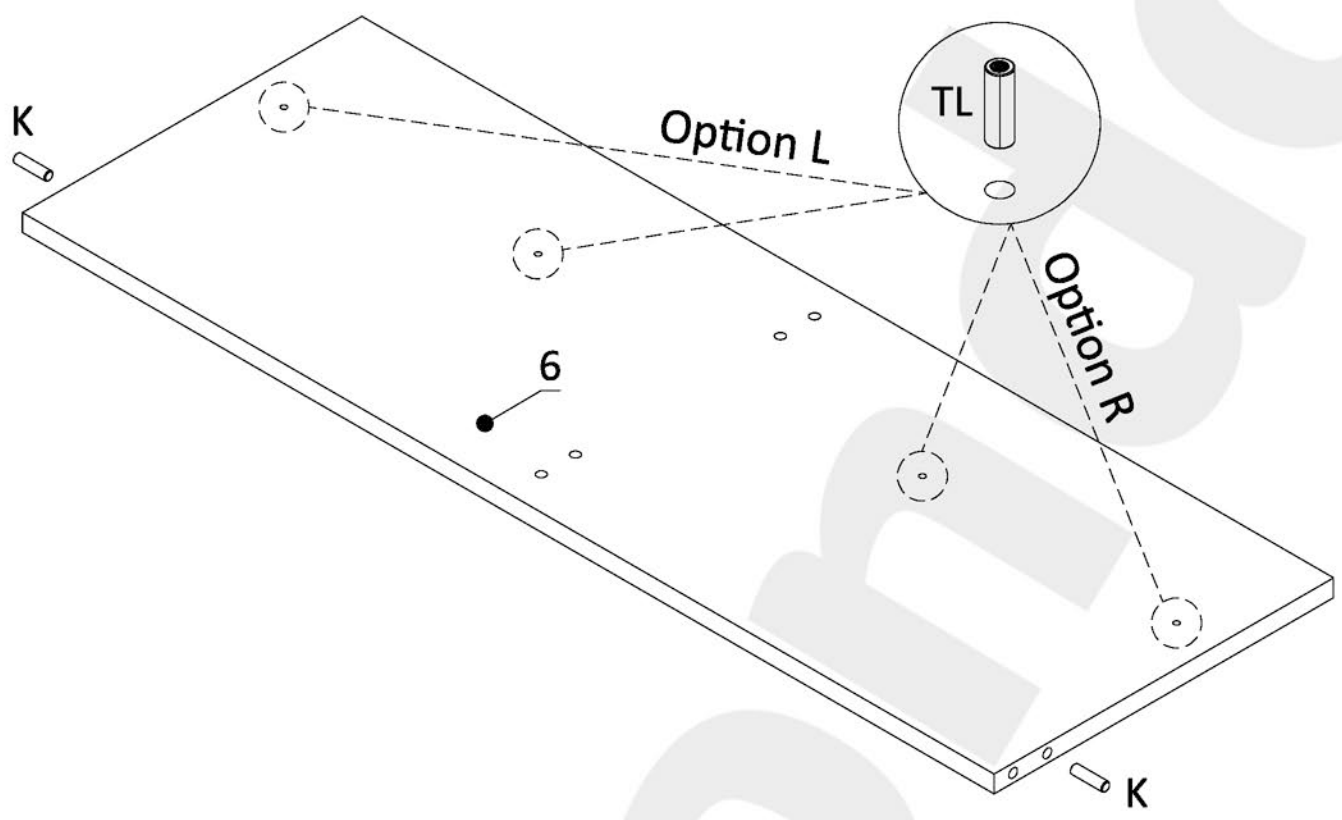


6




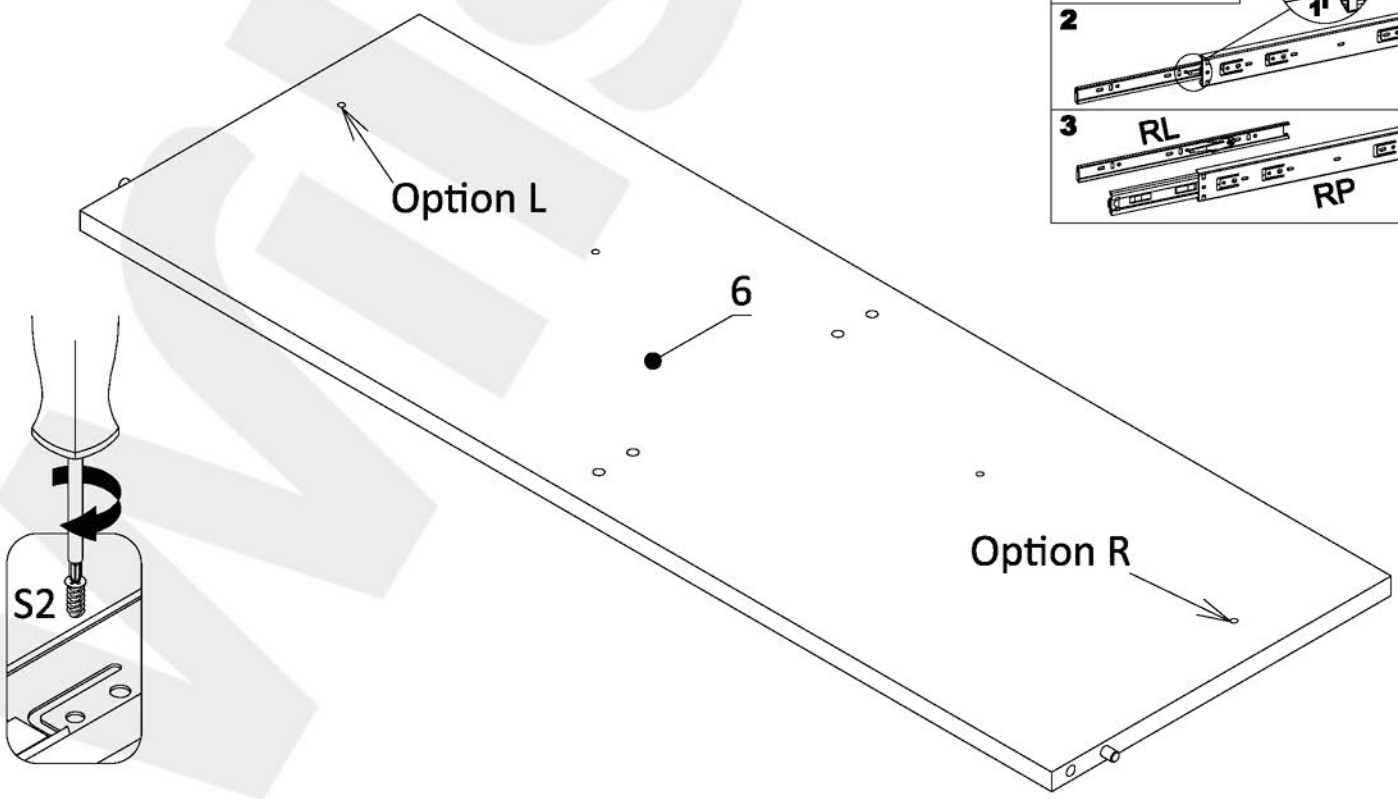
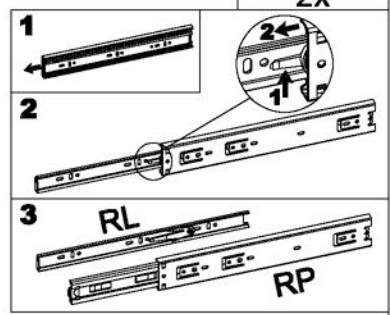
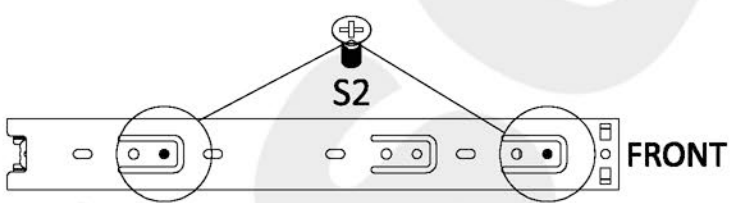
7

	
K	TL
2x	2x

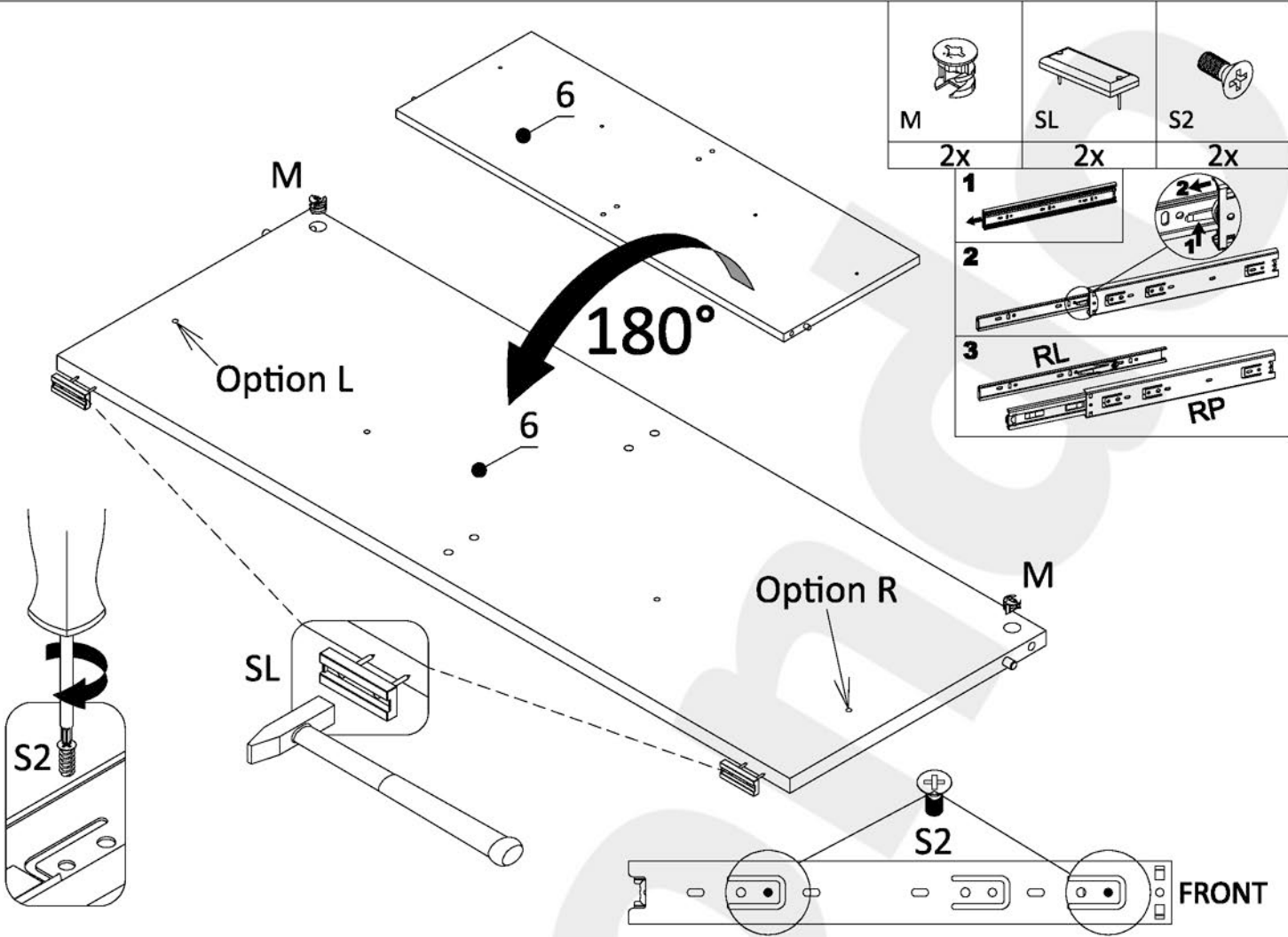


8

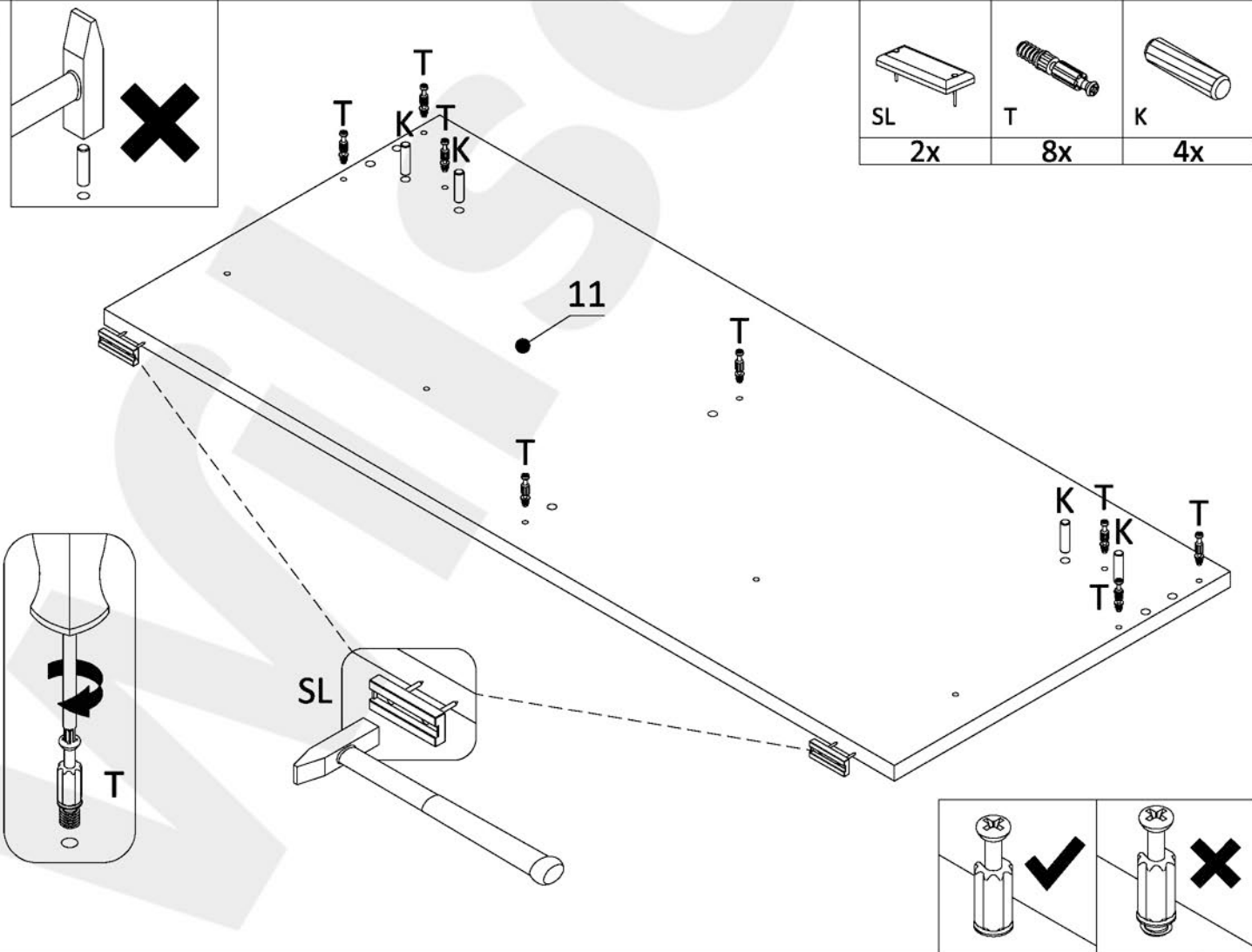

S2
2x



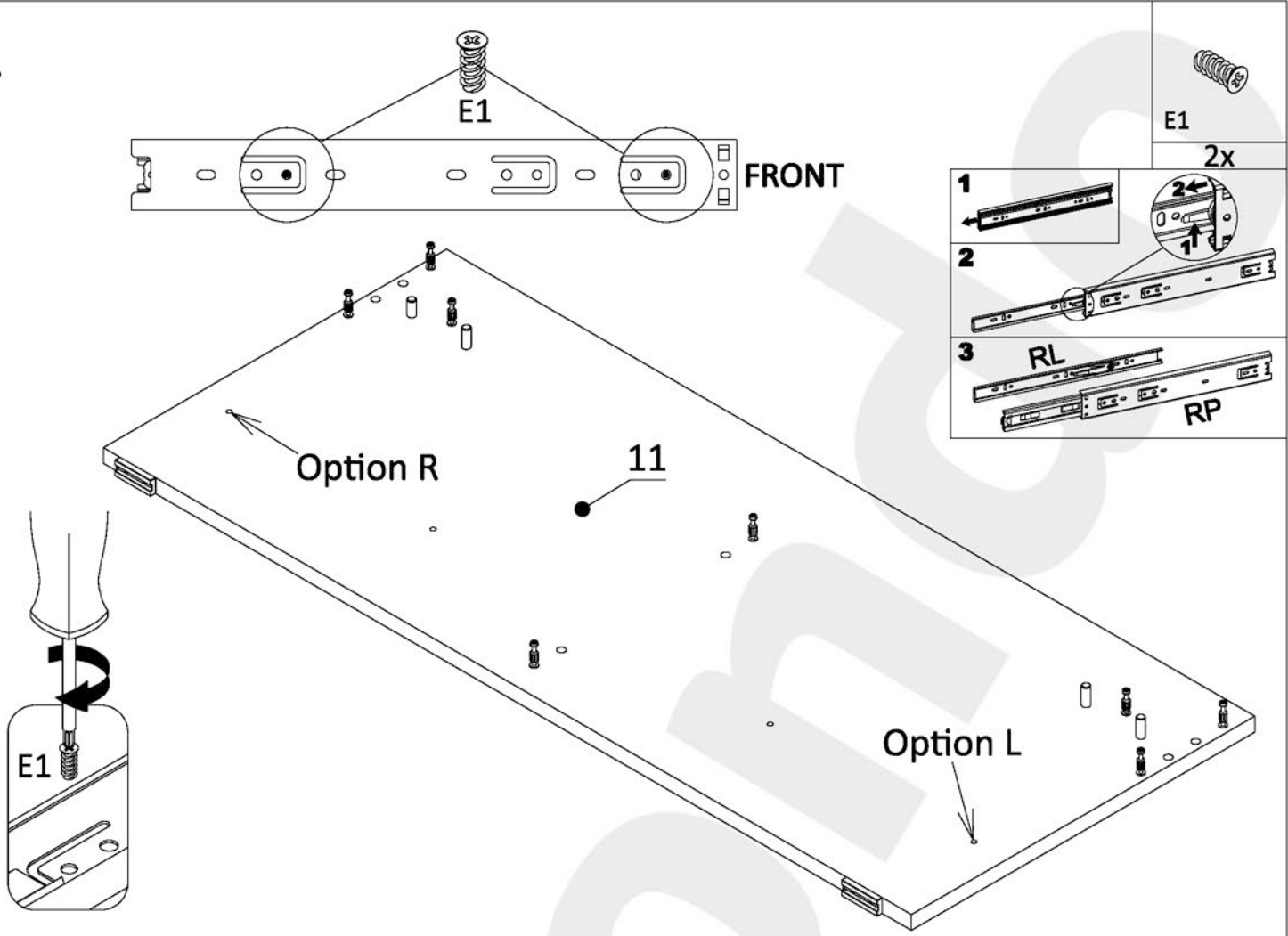
9



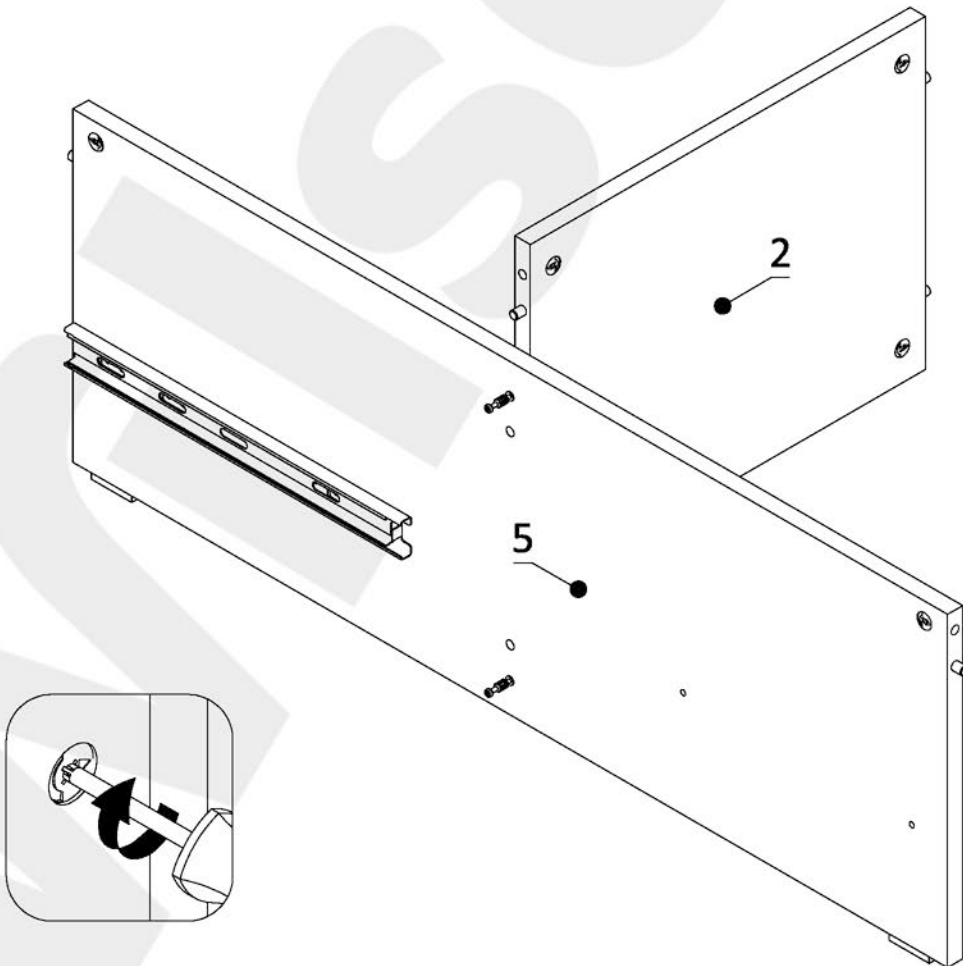
10



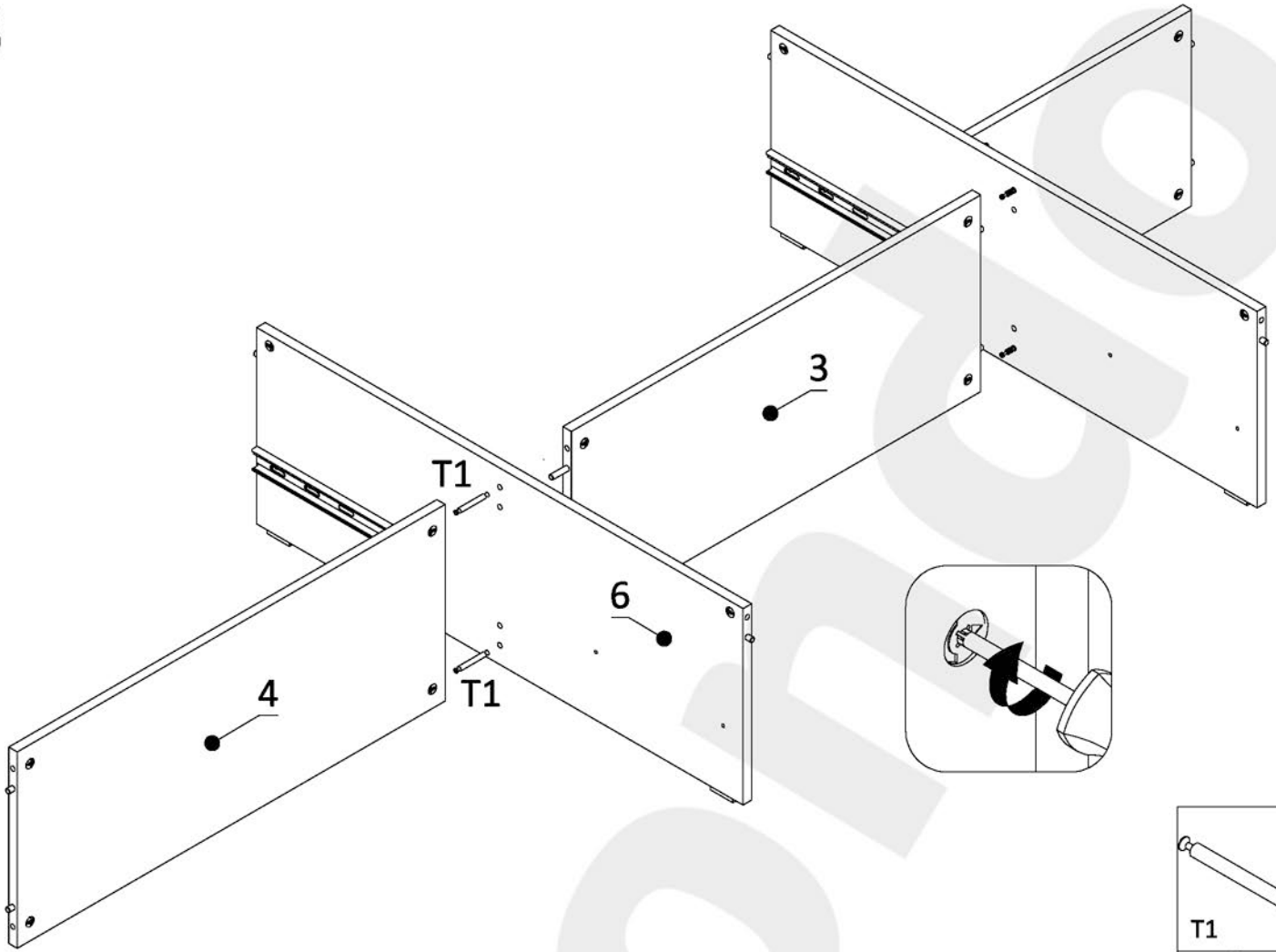
# 11



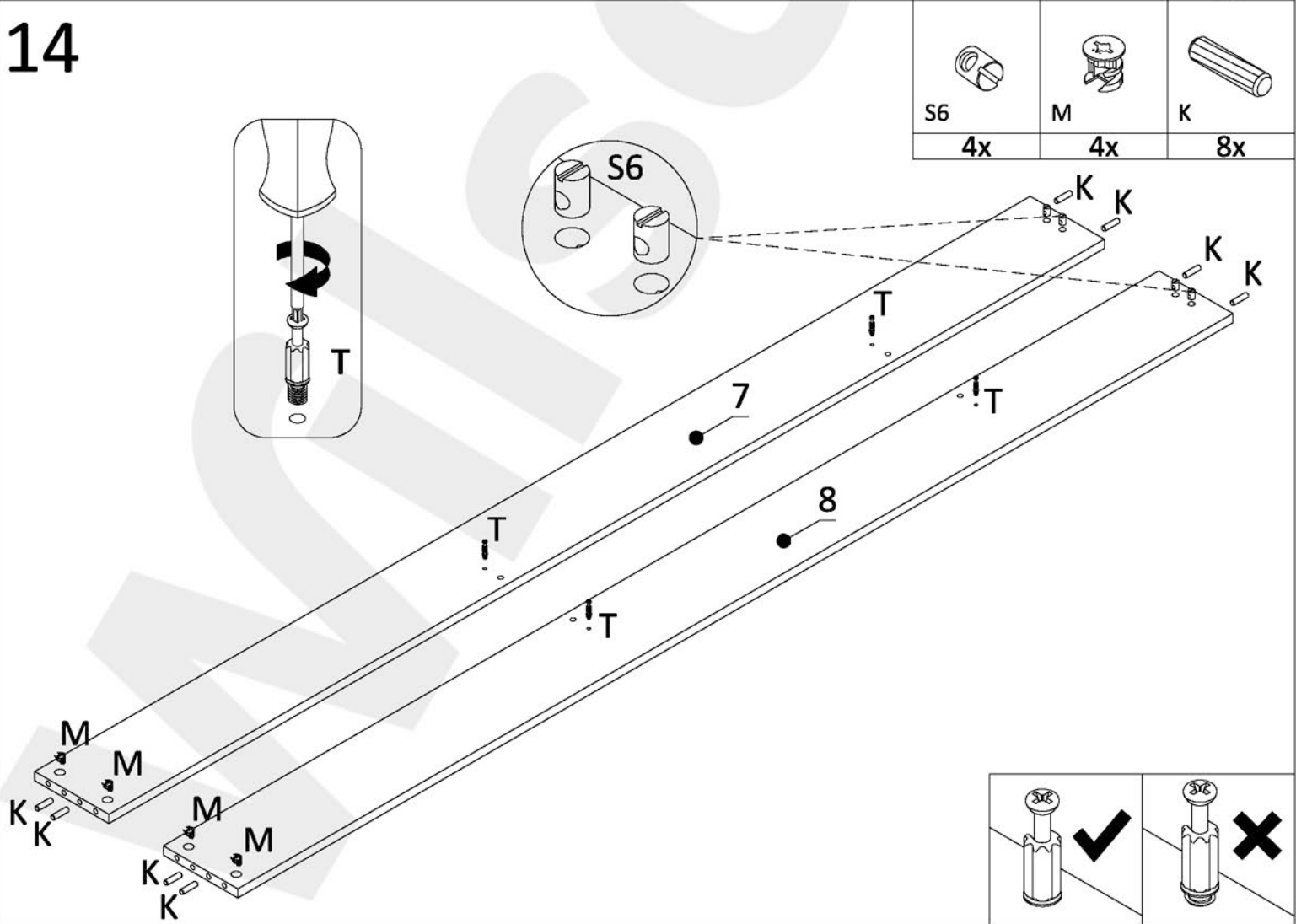
# 12



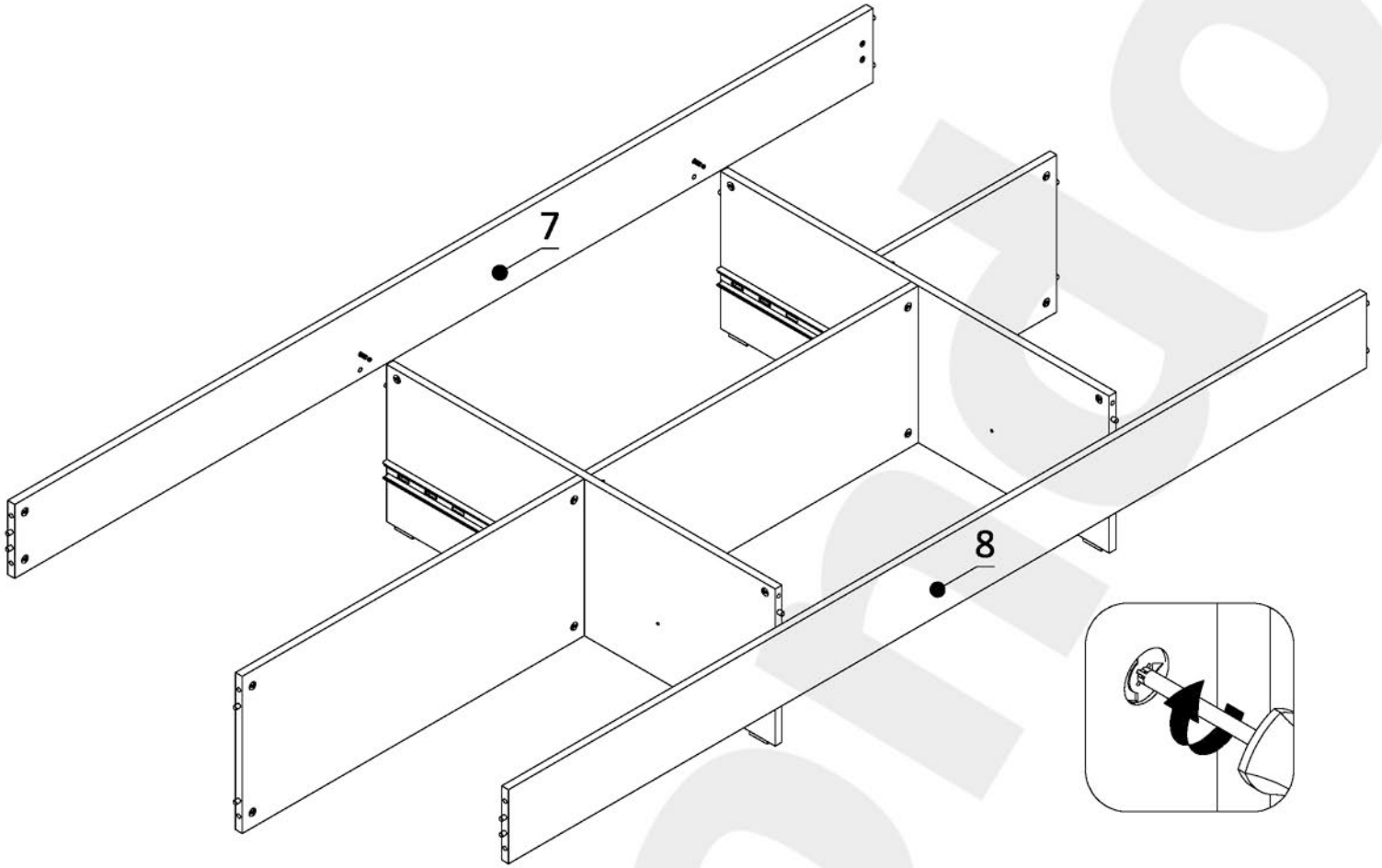
# 13



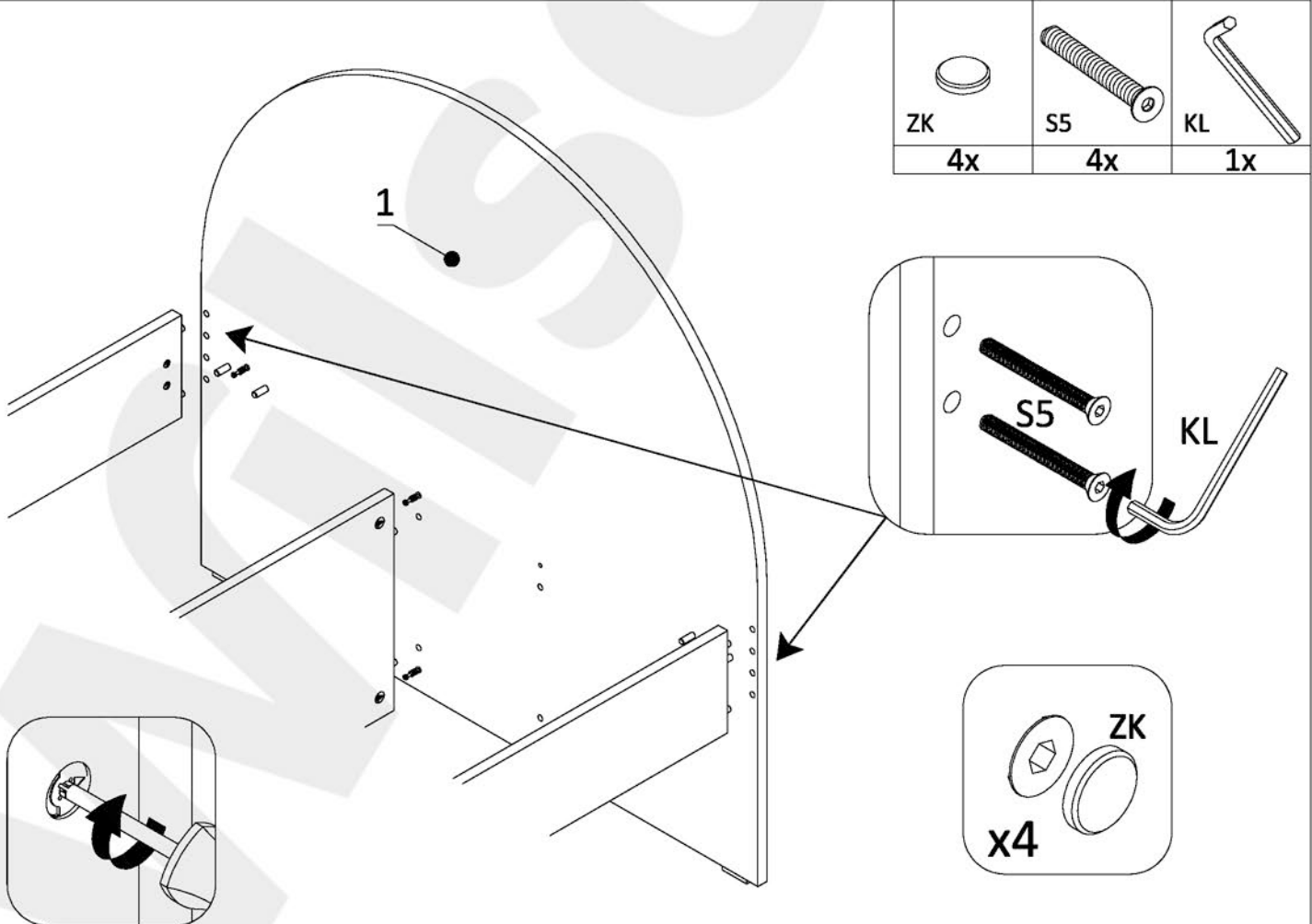
# 14





# 15

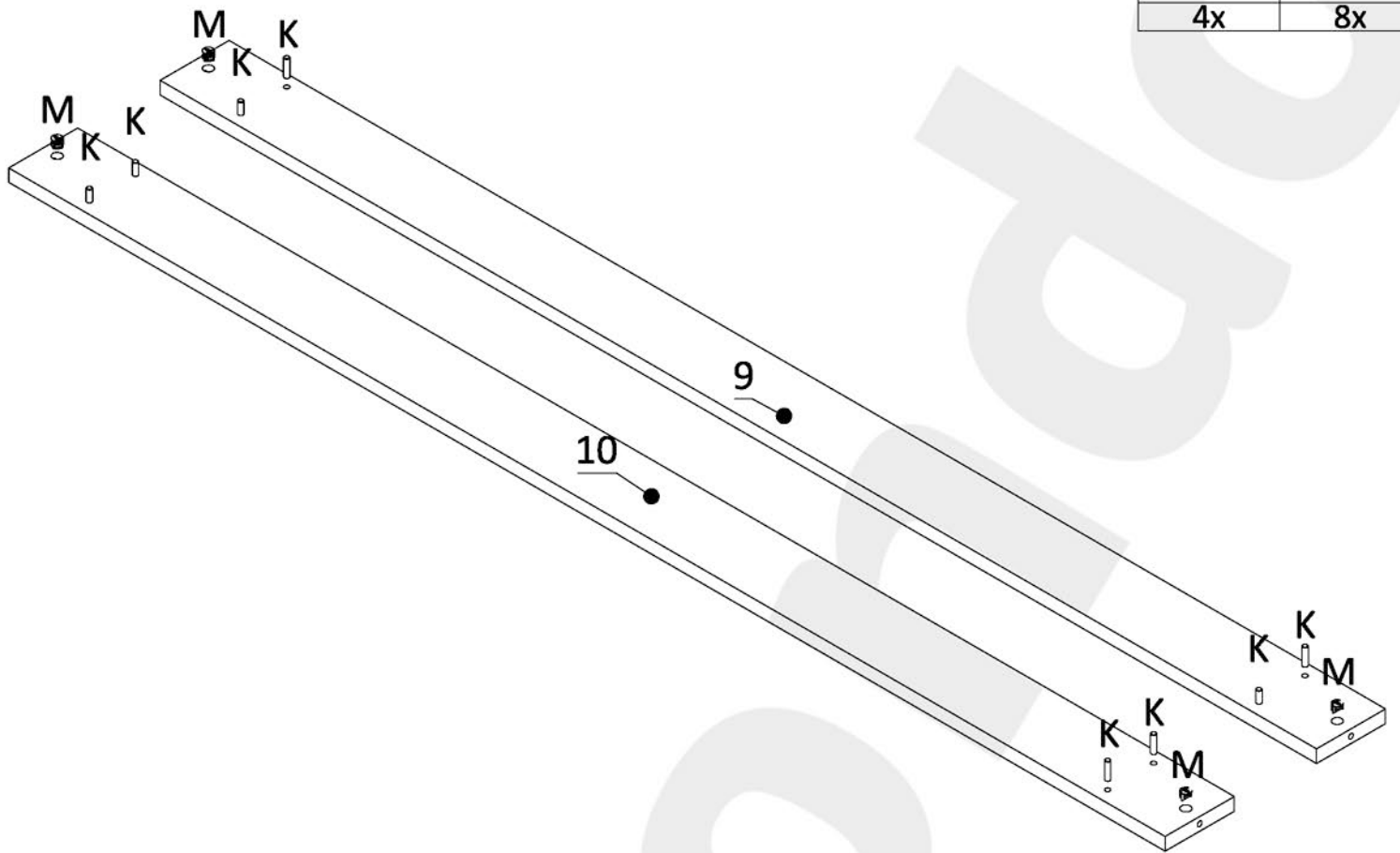


# 16

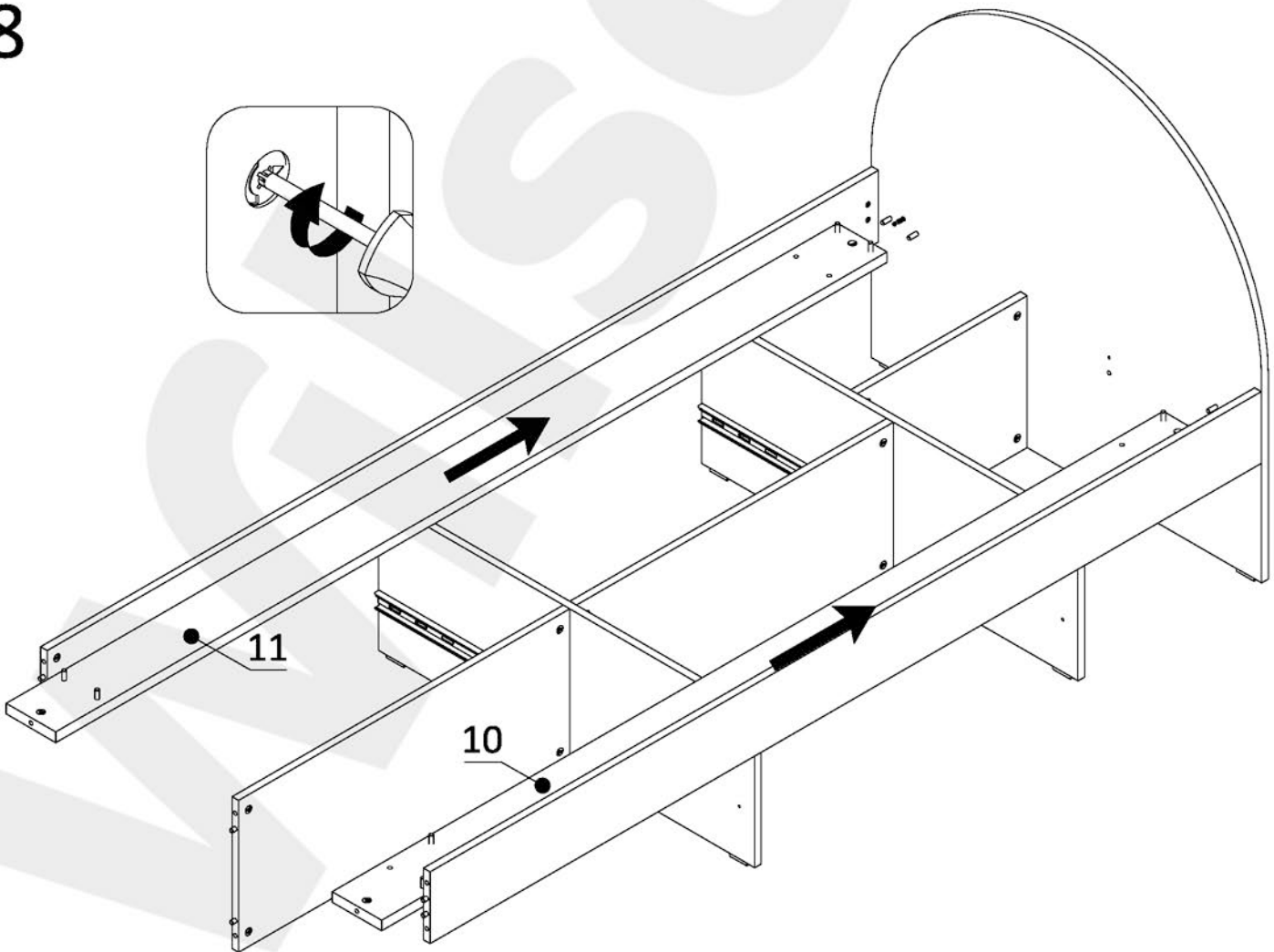


17

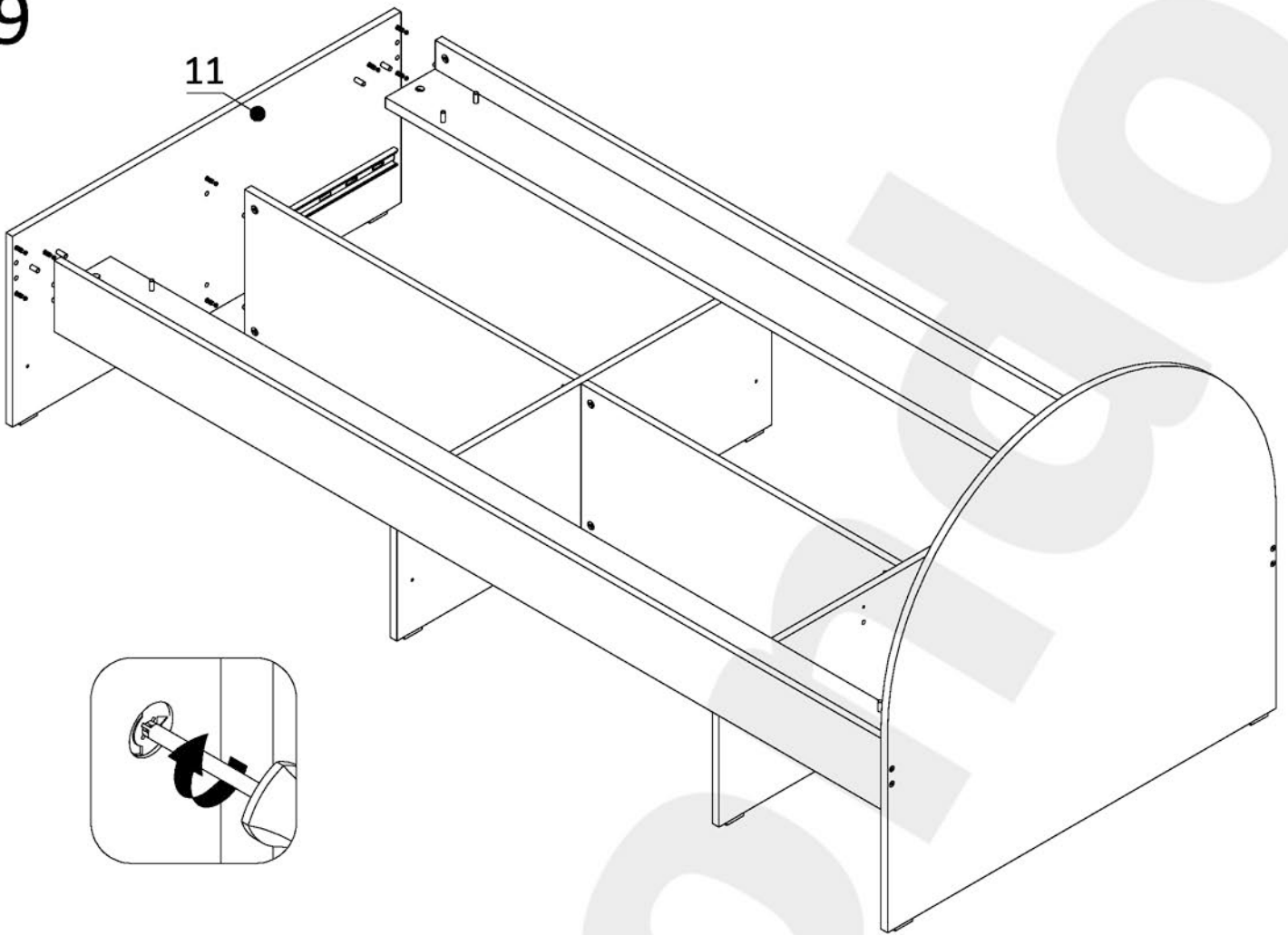
	
M	K
4x	8x



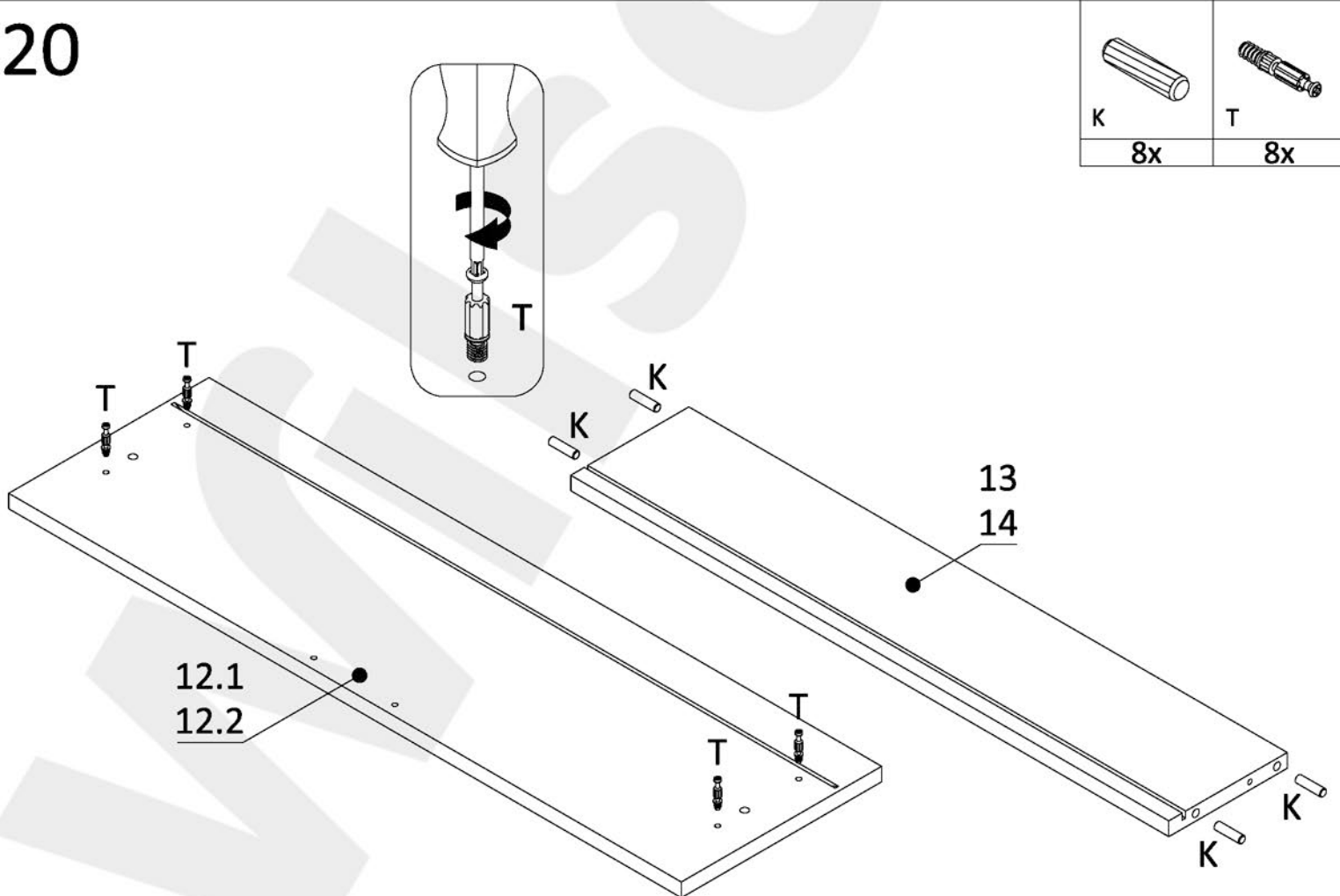
18



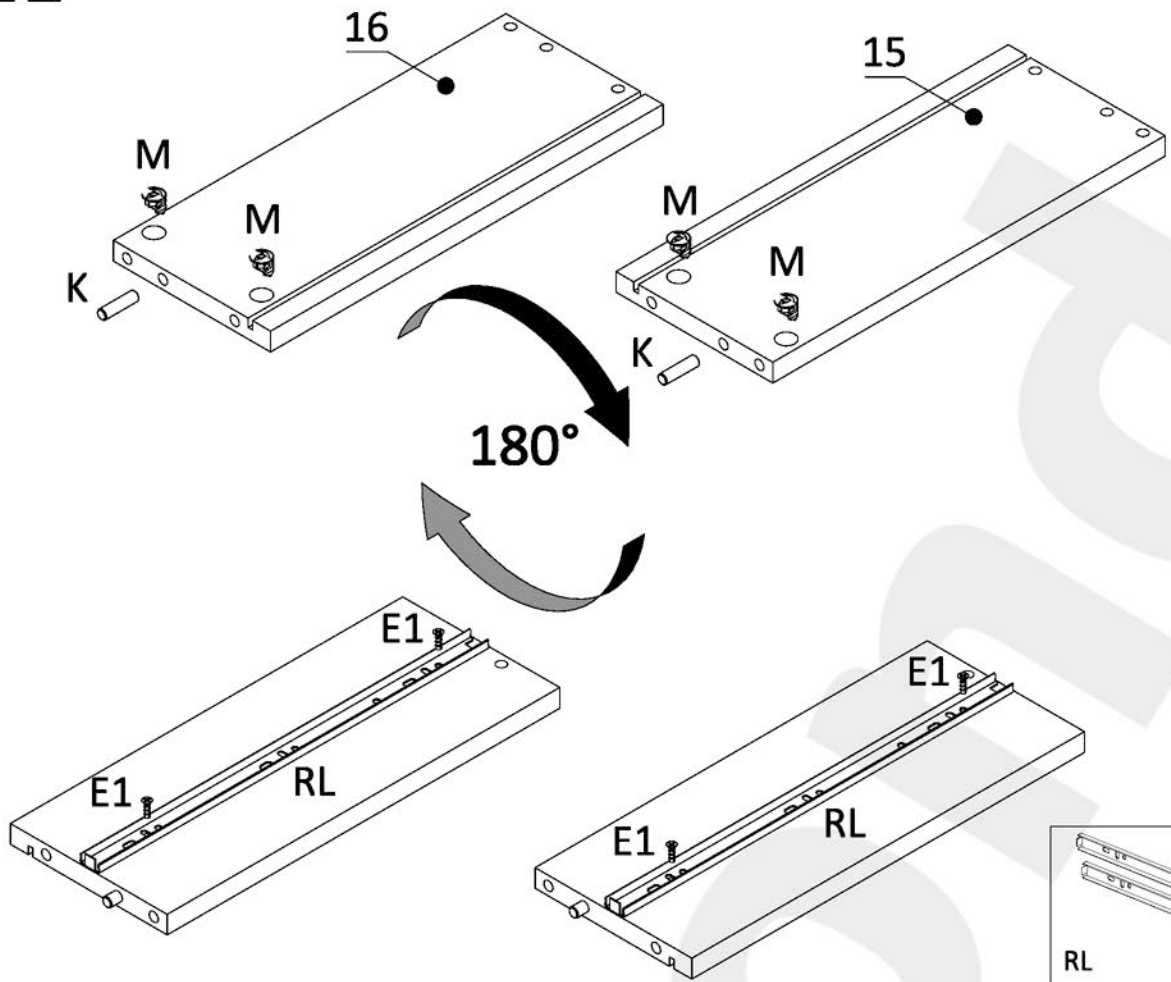
19





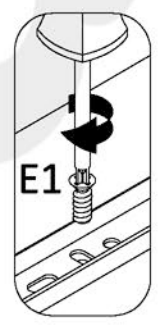
20

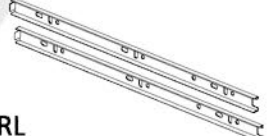



# 21

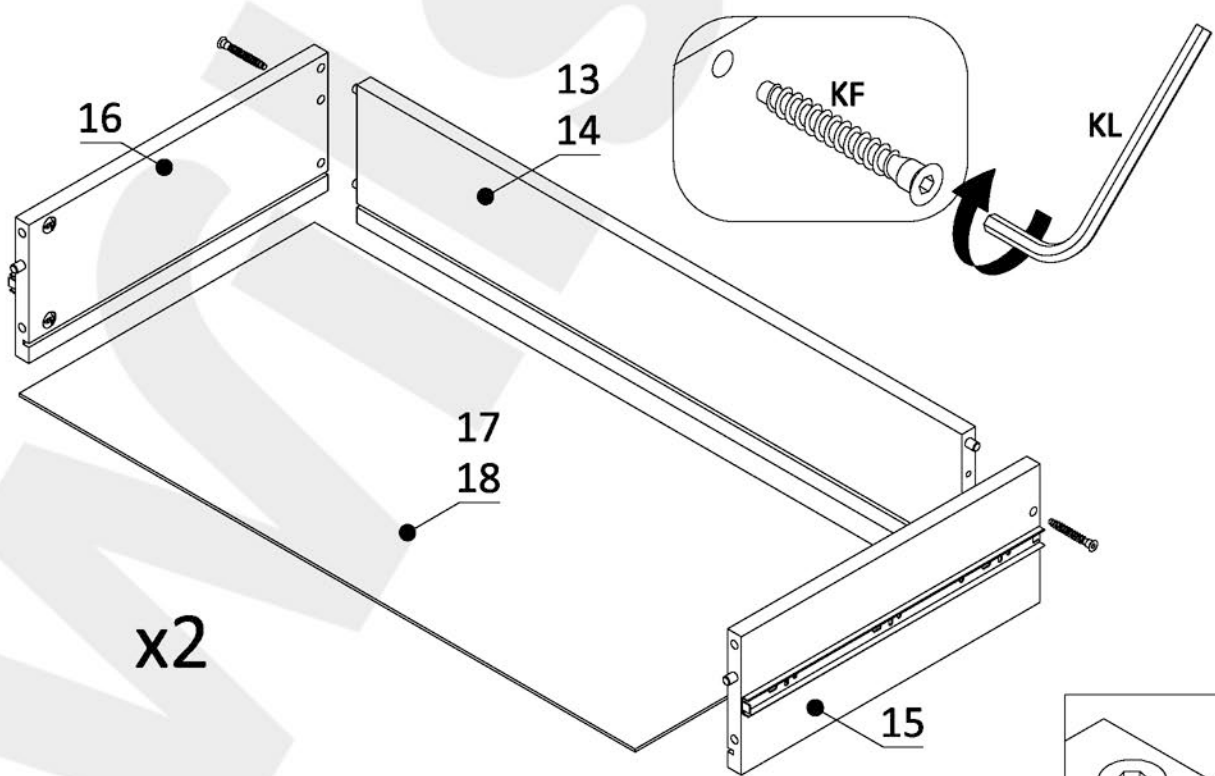




 M	 K
8x	4x

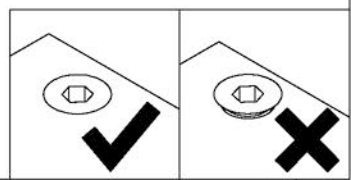


 RL	 E1
2x	8x

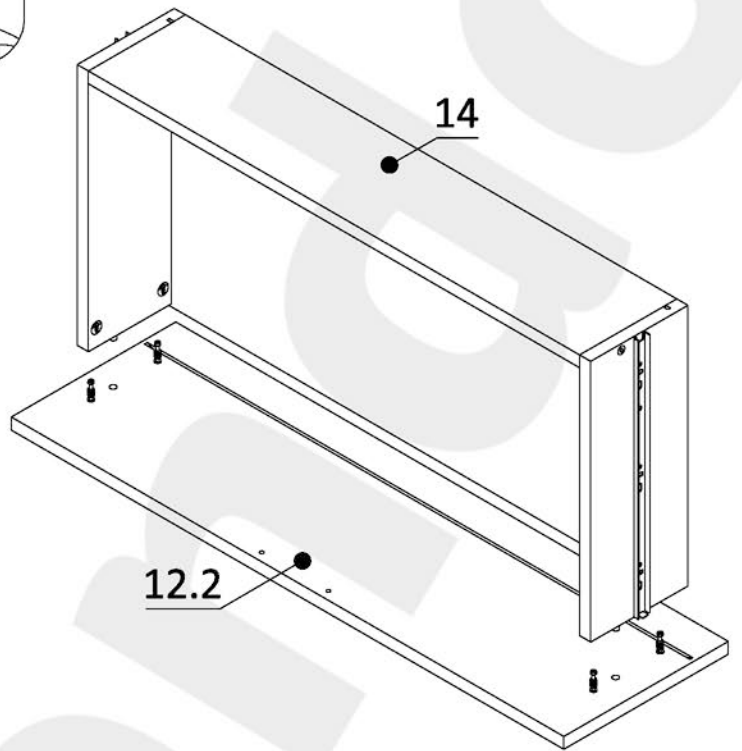
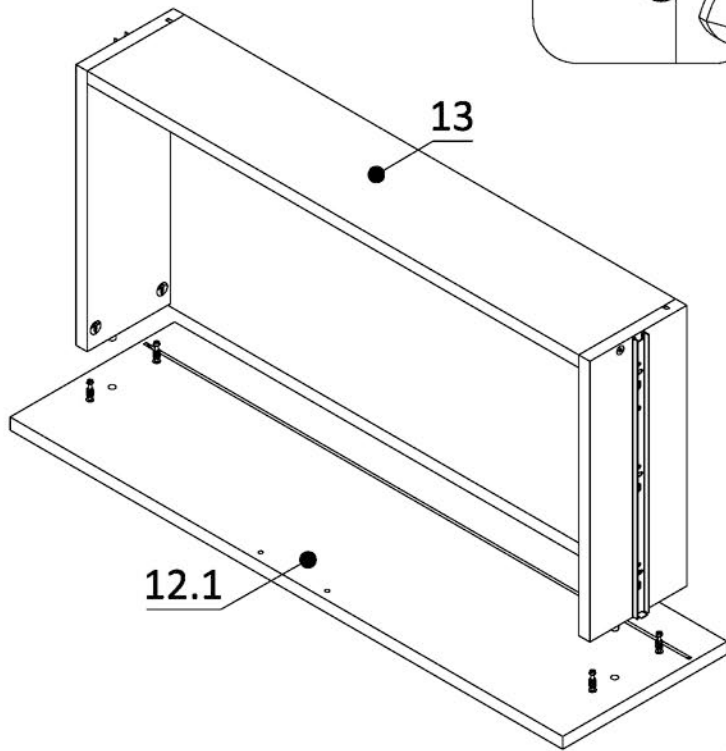
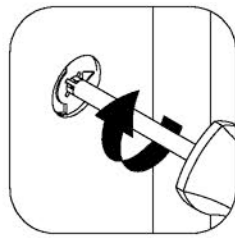
# 22



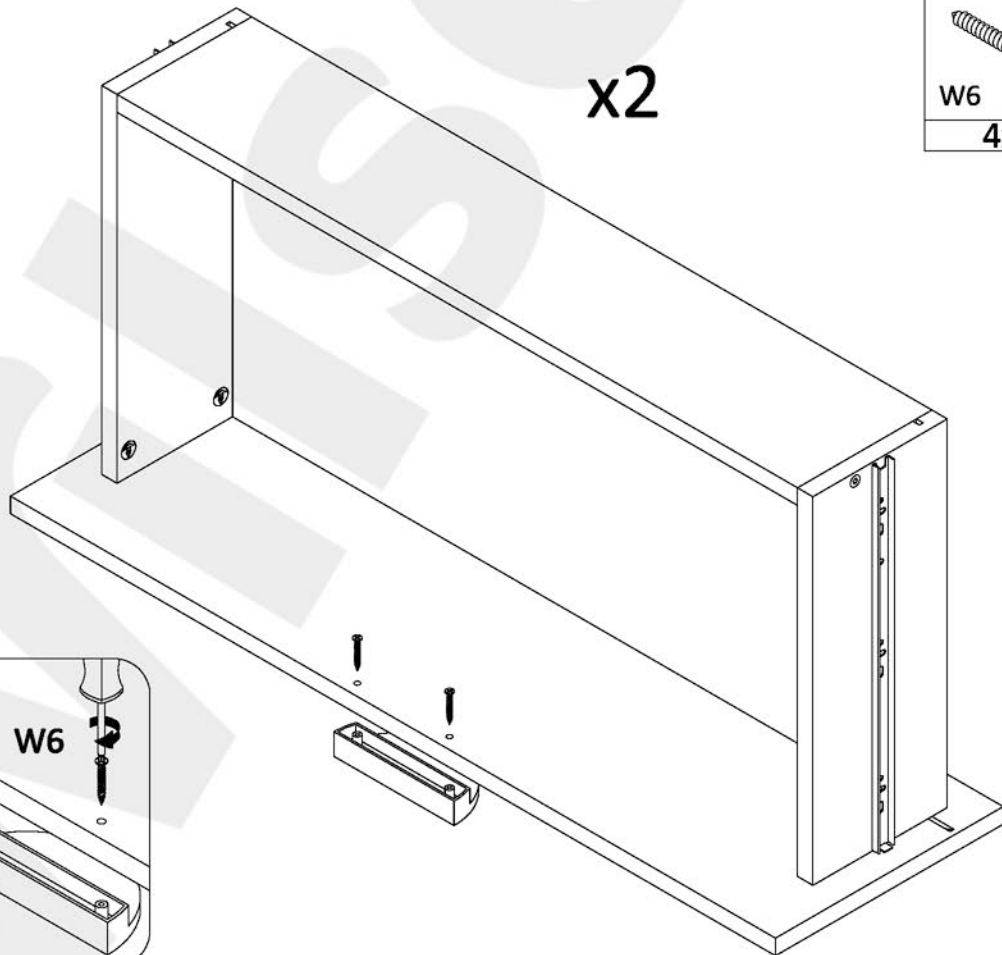
 KF	 KL
4x	1x



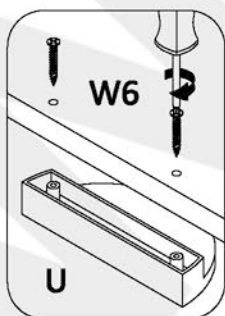
# 23



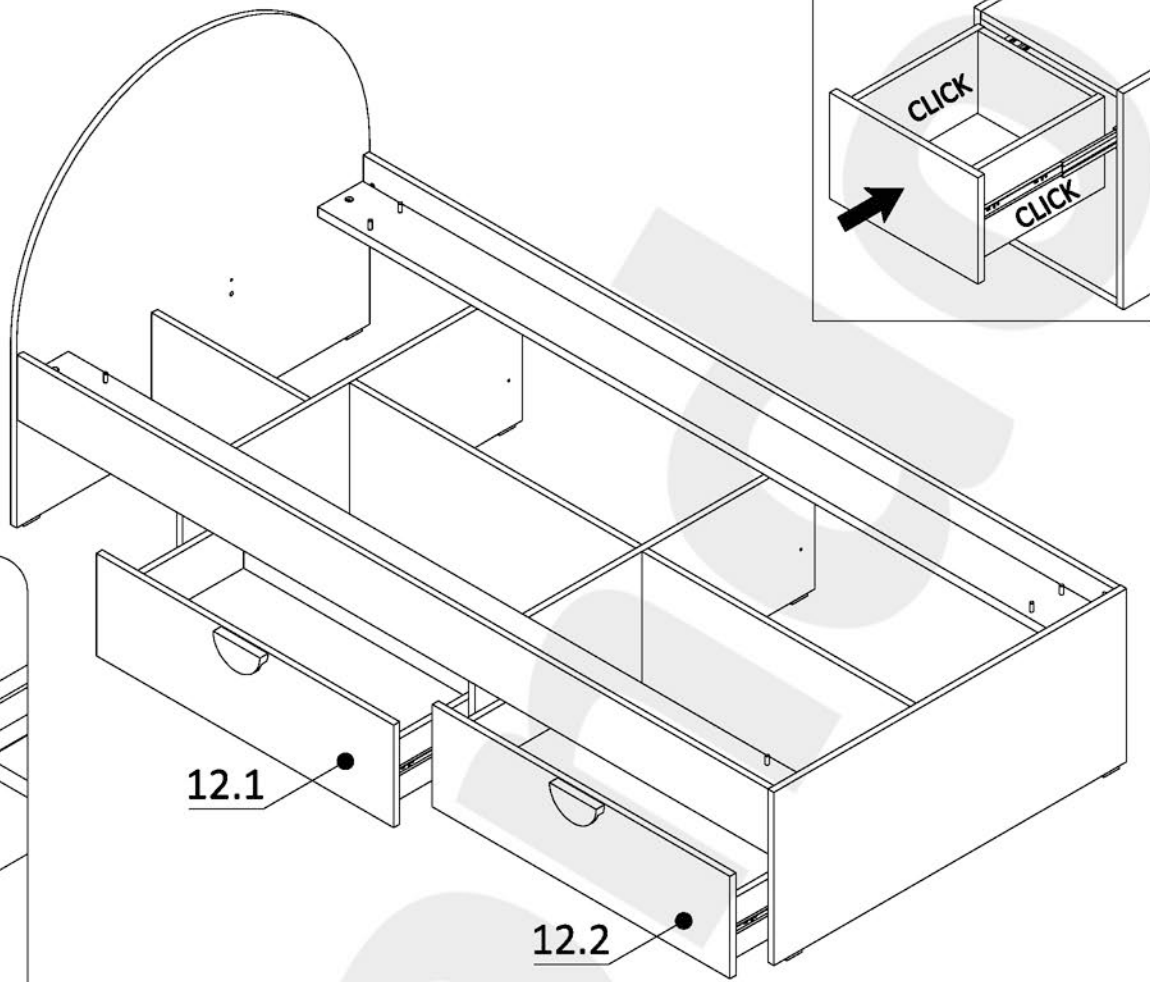
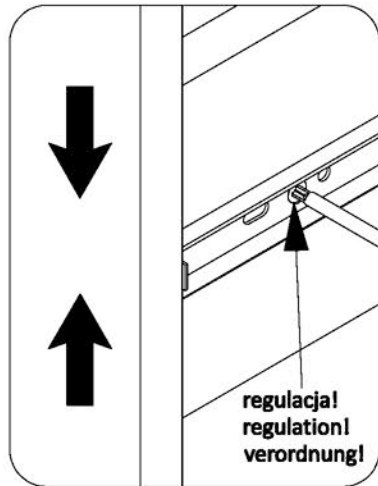
# 24



W6 4x	U 2x



25



26

