



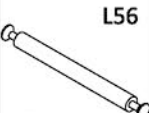
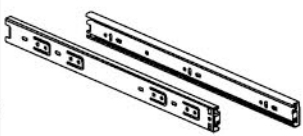









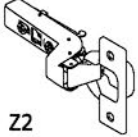










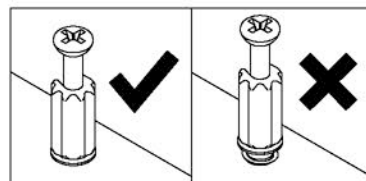
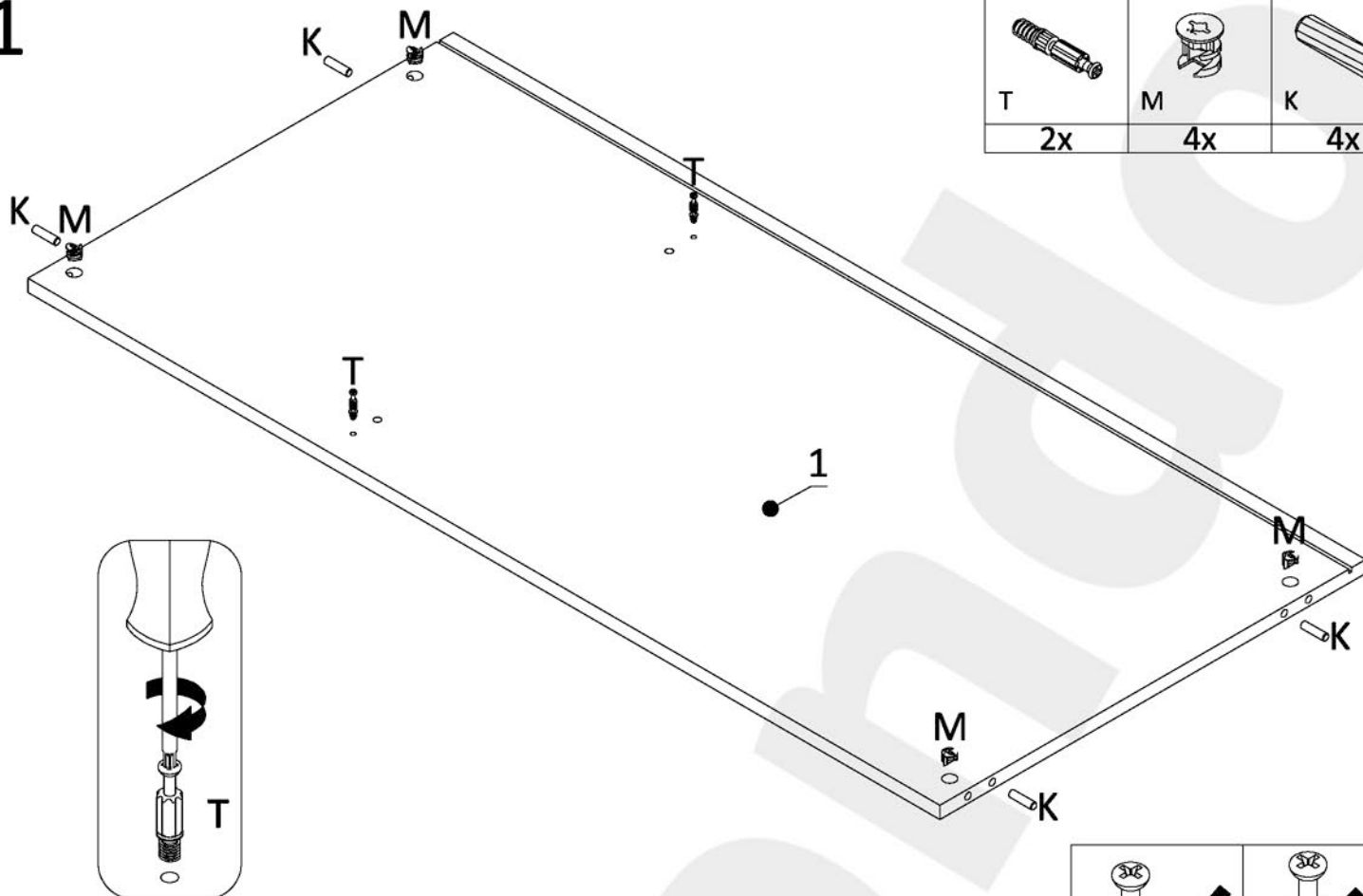
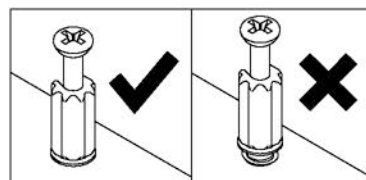
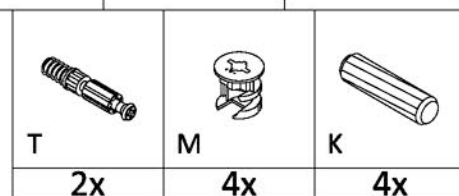
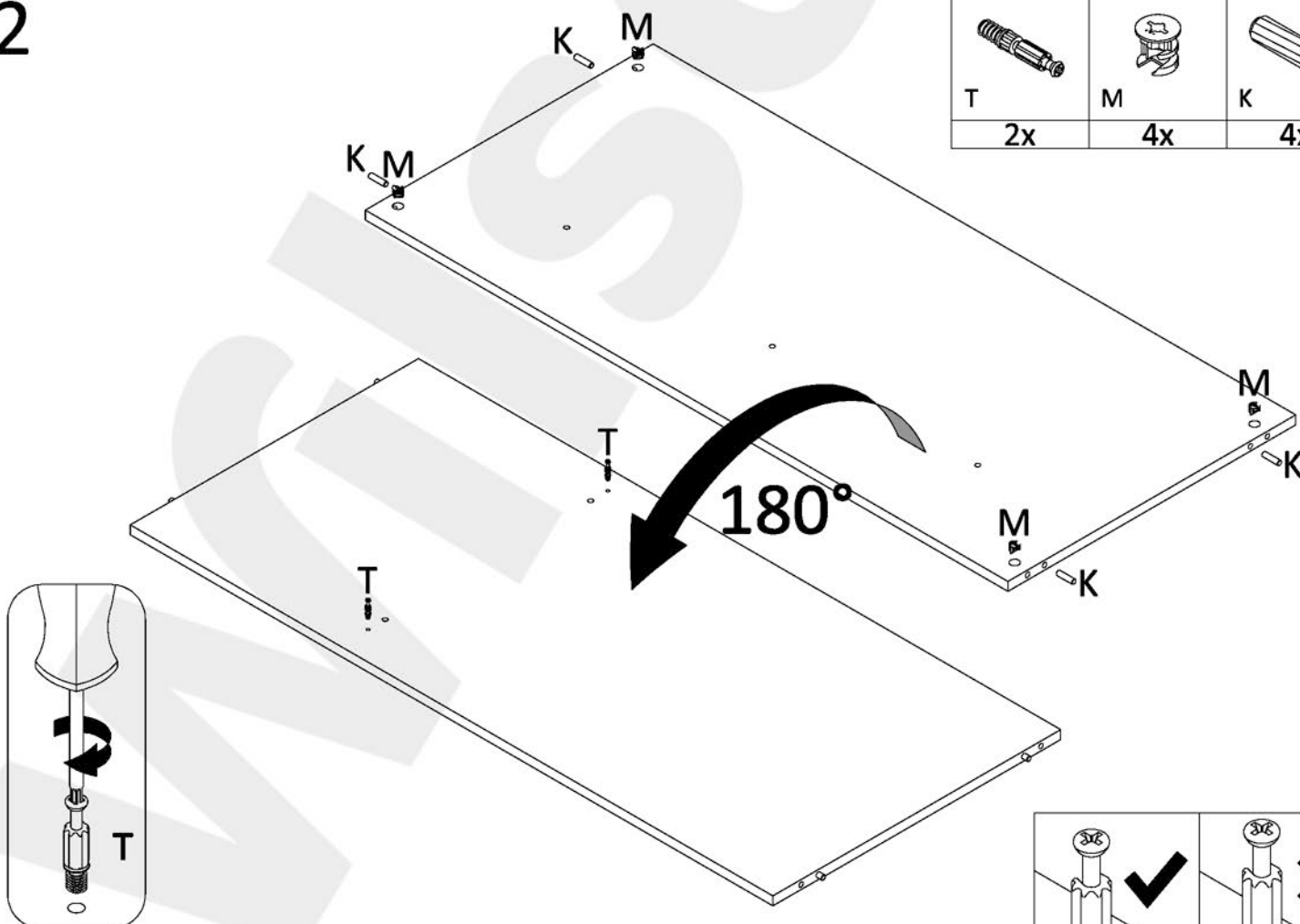
 PZ 9x	 8x30 K 37x	 8x45 K2 x	 15/12 M 40x	 L20,3 T 32x	 L56 T2 4x	 2x PK-OH35-350			
 H 1x	 U 5x	 L350 WS 2x	 5x13 E1 16x	 3x13 W1 4x	 3x16 W2 18x	 4x16 W4 22x	 4x30 W6 10x	 7x50 KF 4x	 Z2 9x
 D 1x	 R 2x	 P 8x	 SW4 KL 1x	 SL 5x	 ZM 40x	 PM 18x	 2x20 G 39x	 S 11x	 PS 1x

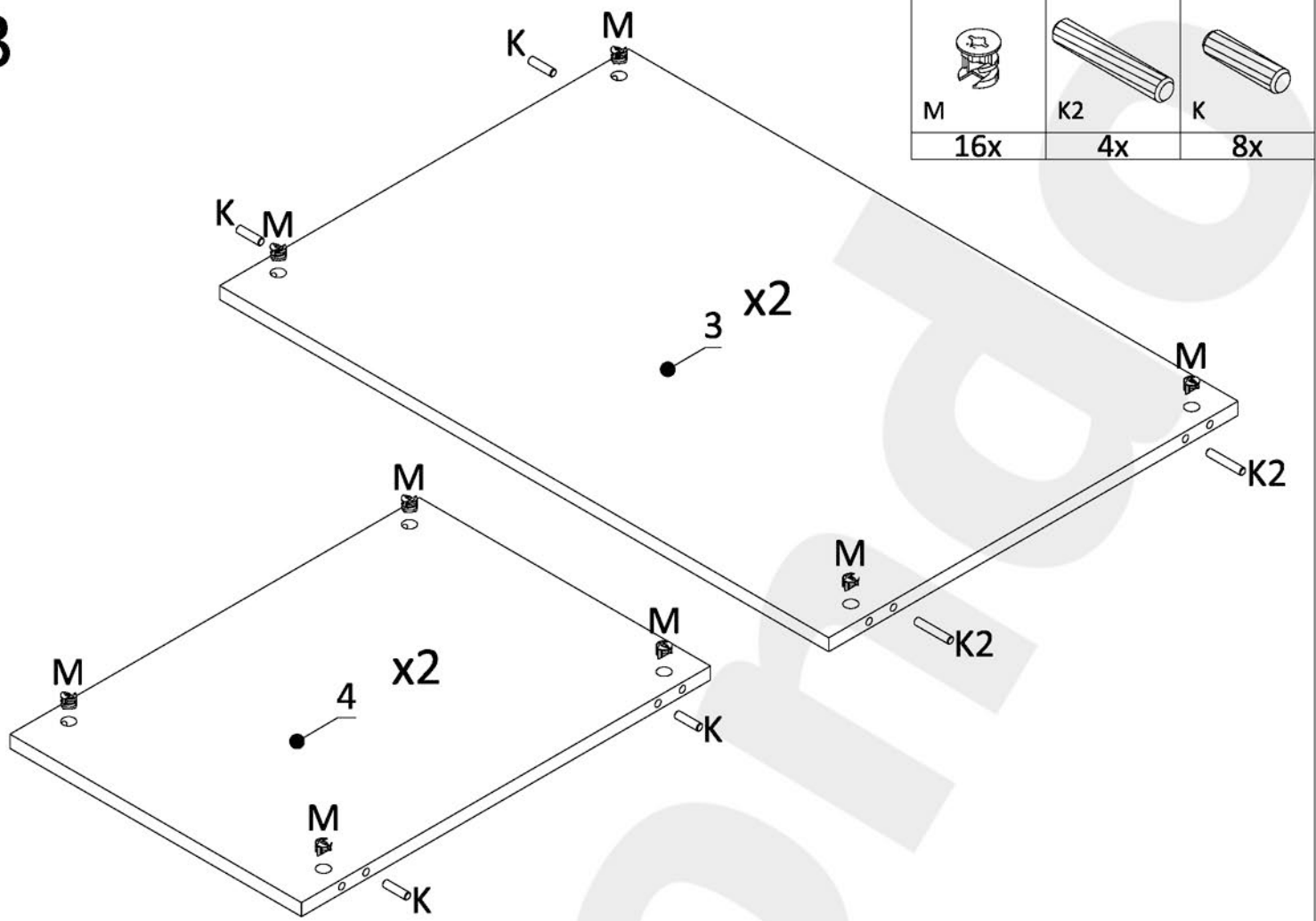
1



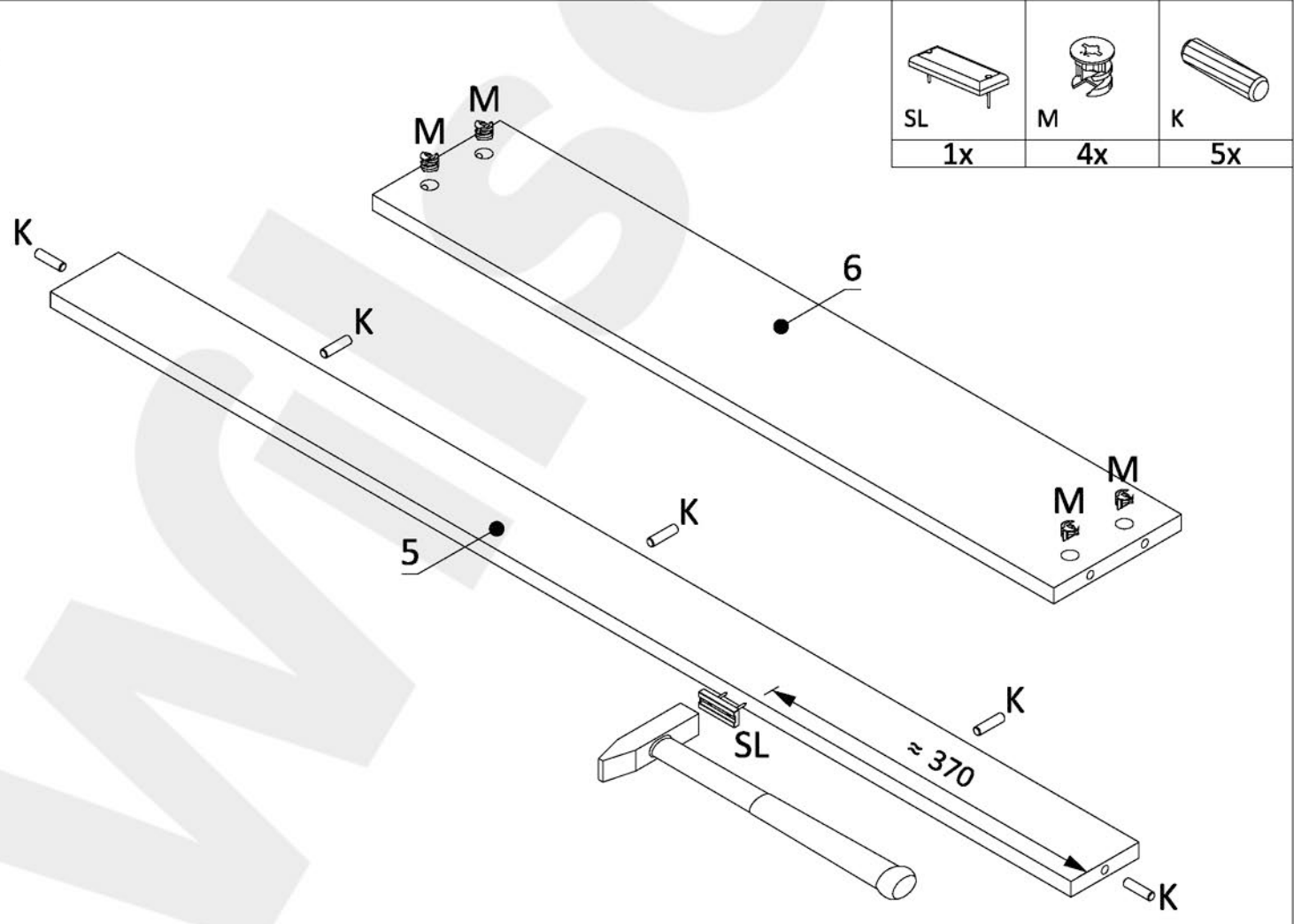
2



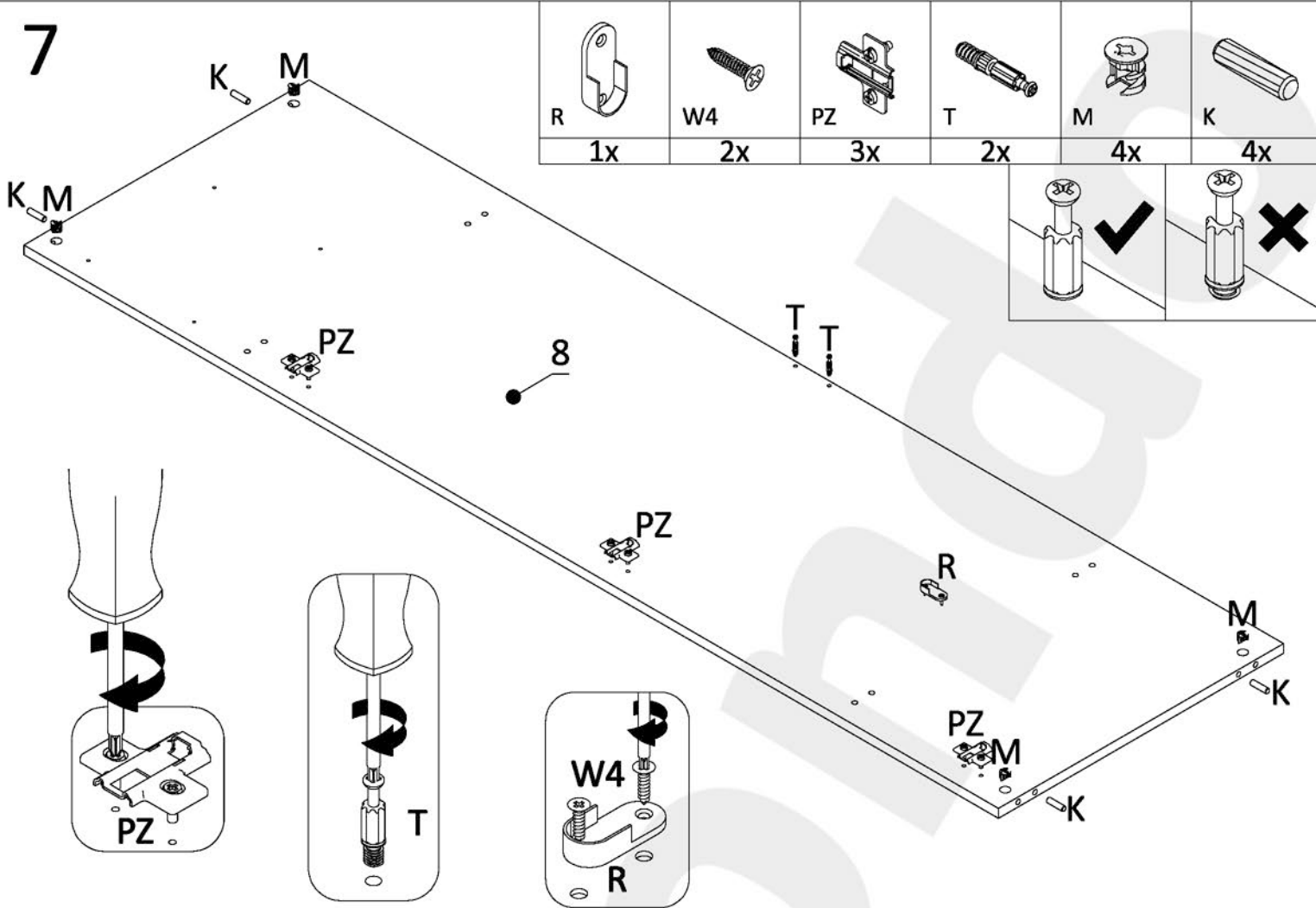
3



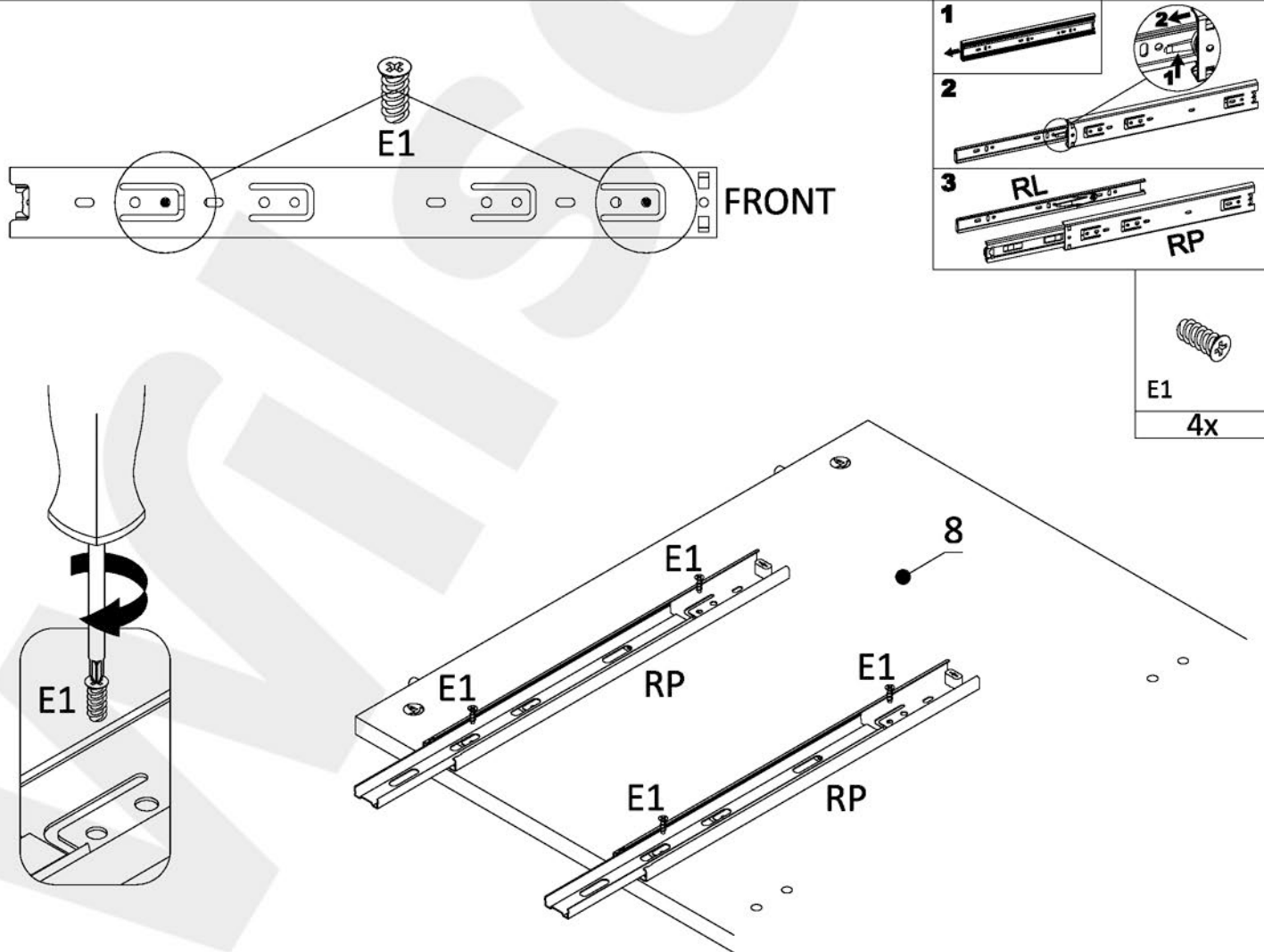
4



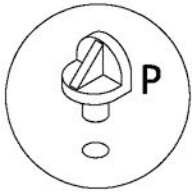
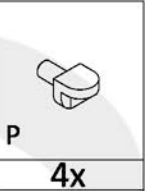
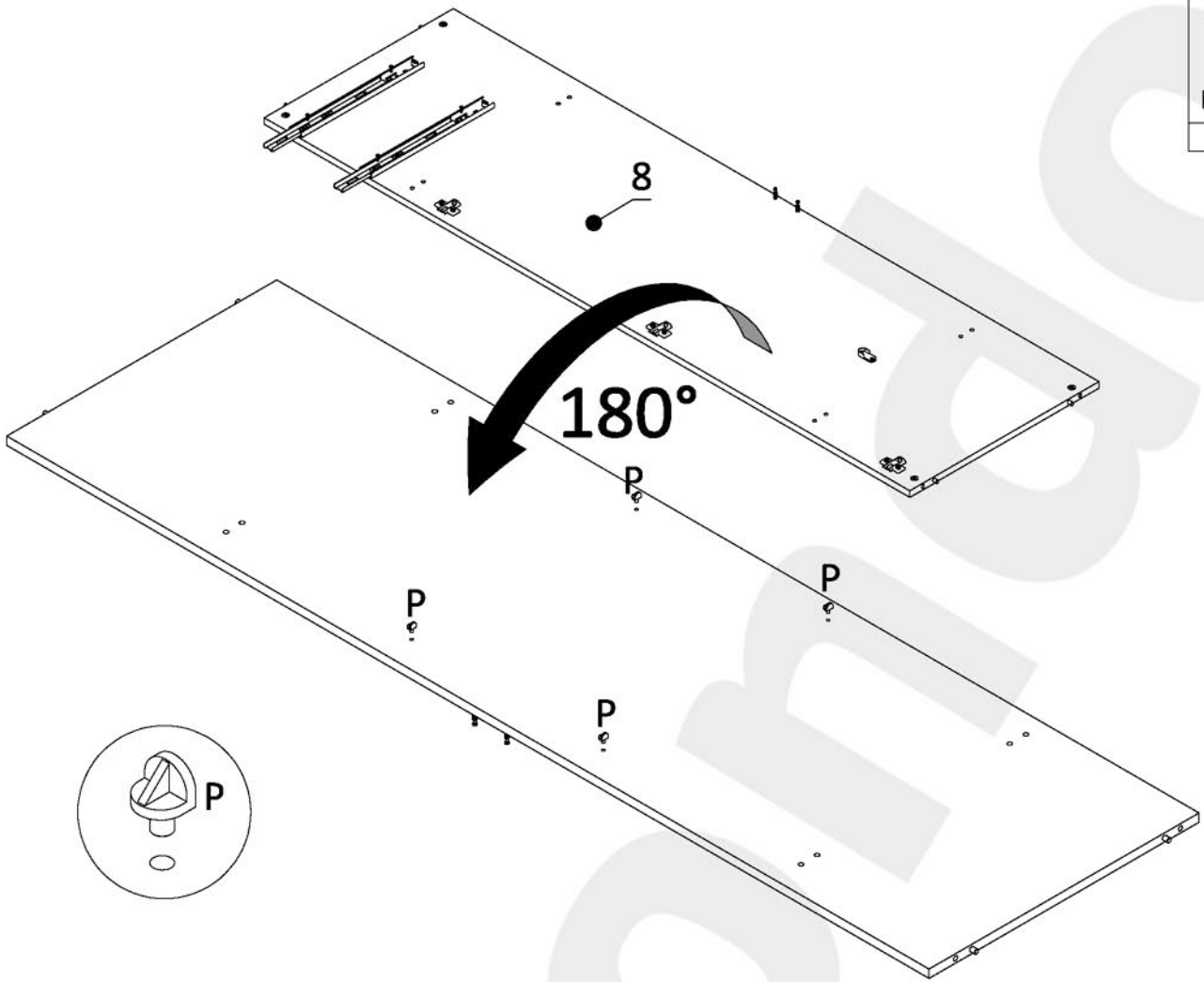
7



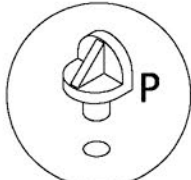
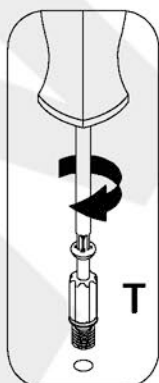
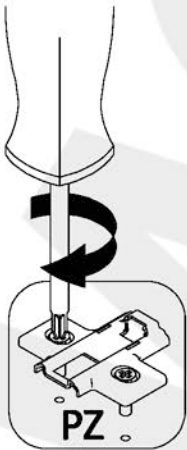
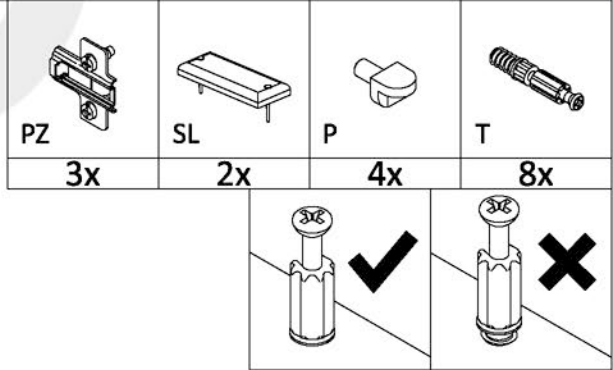
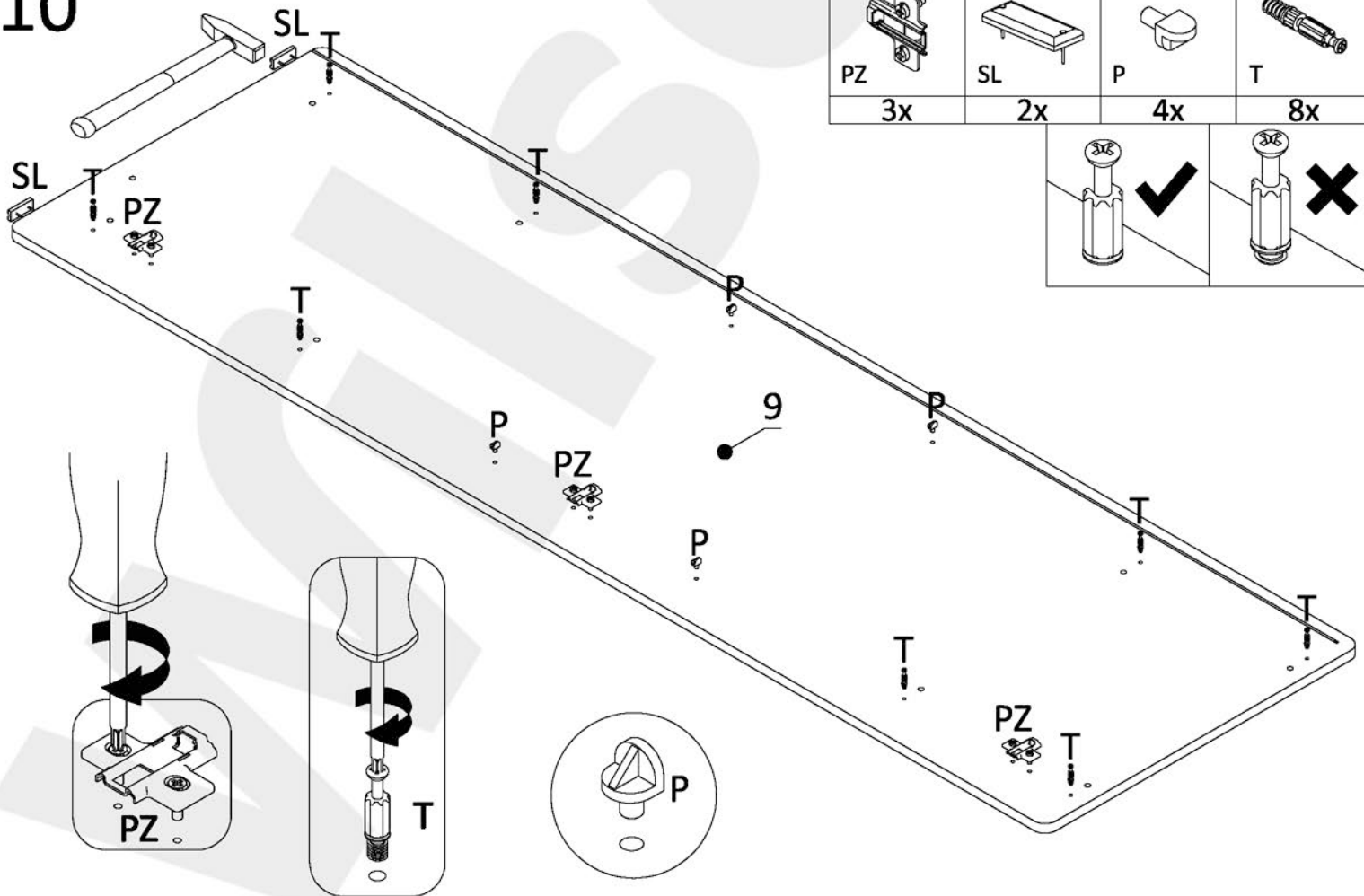
8



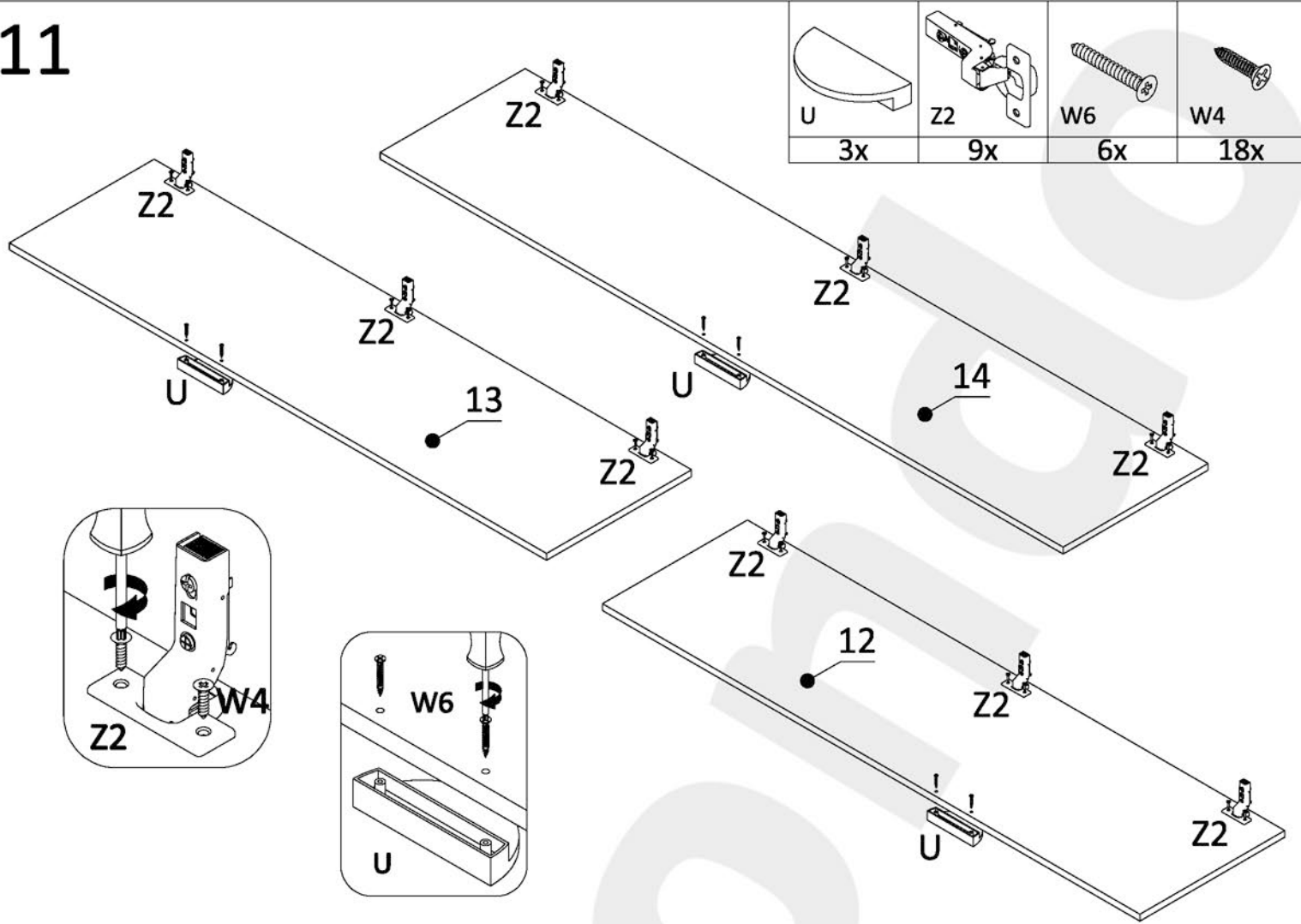
9



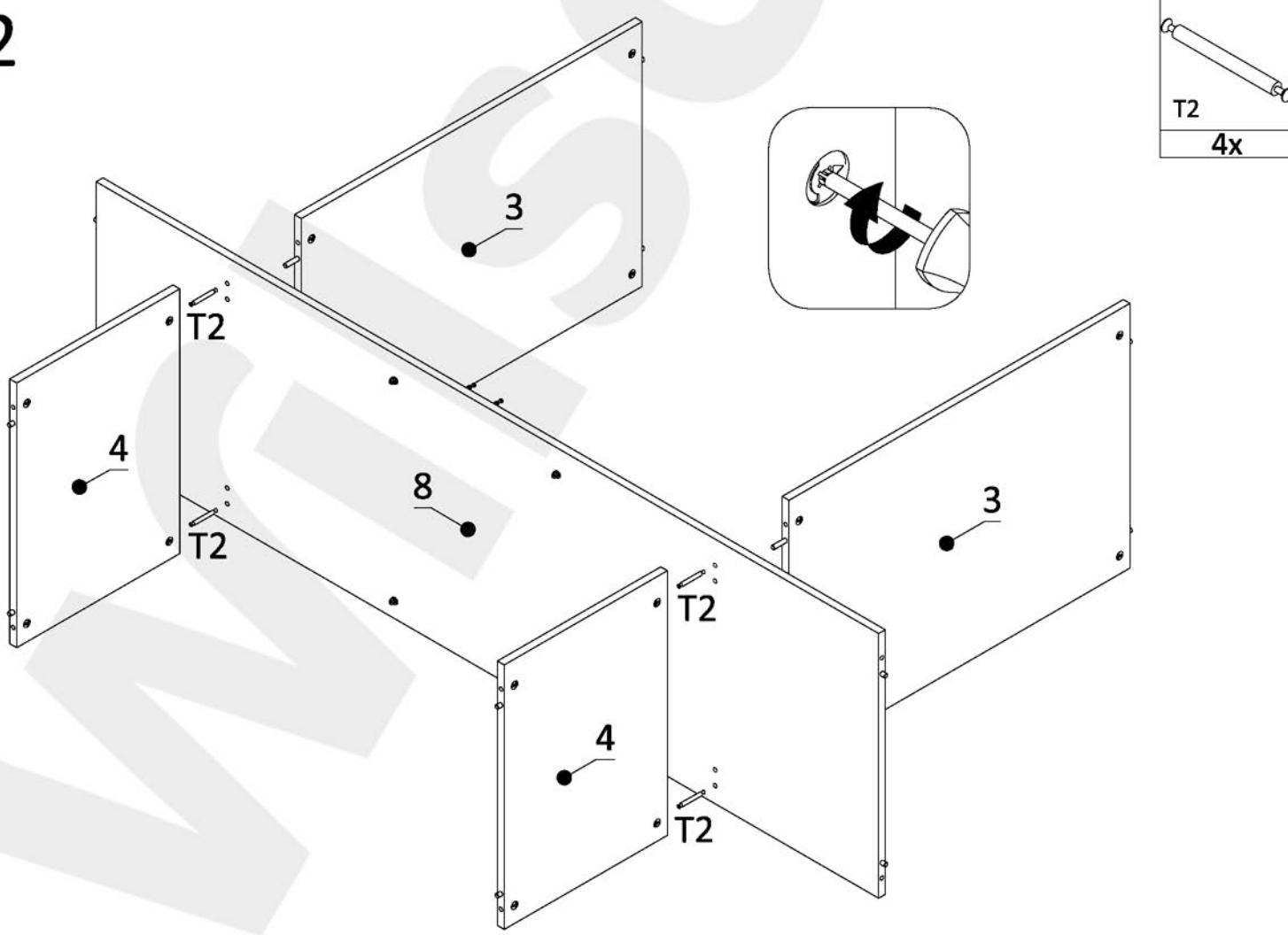
10



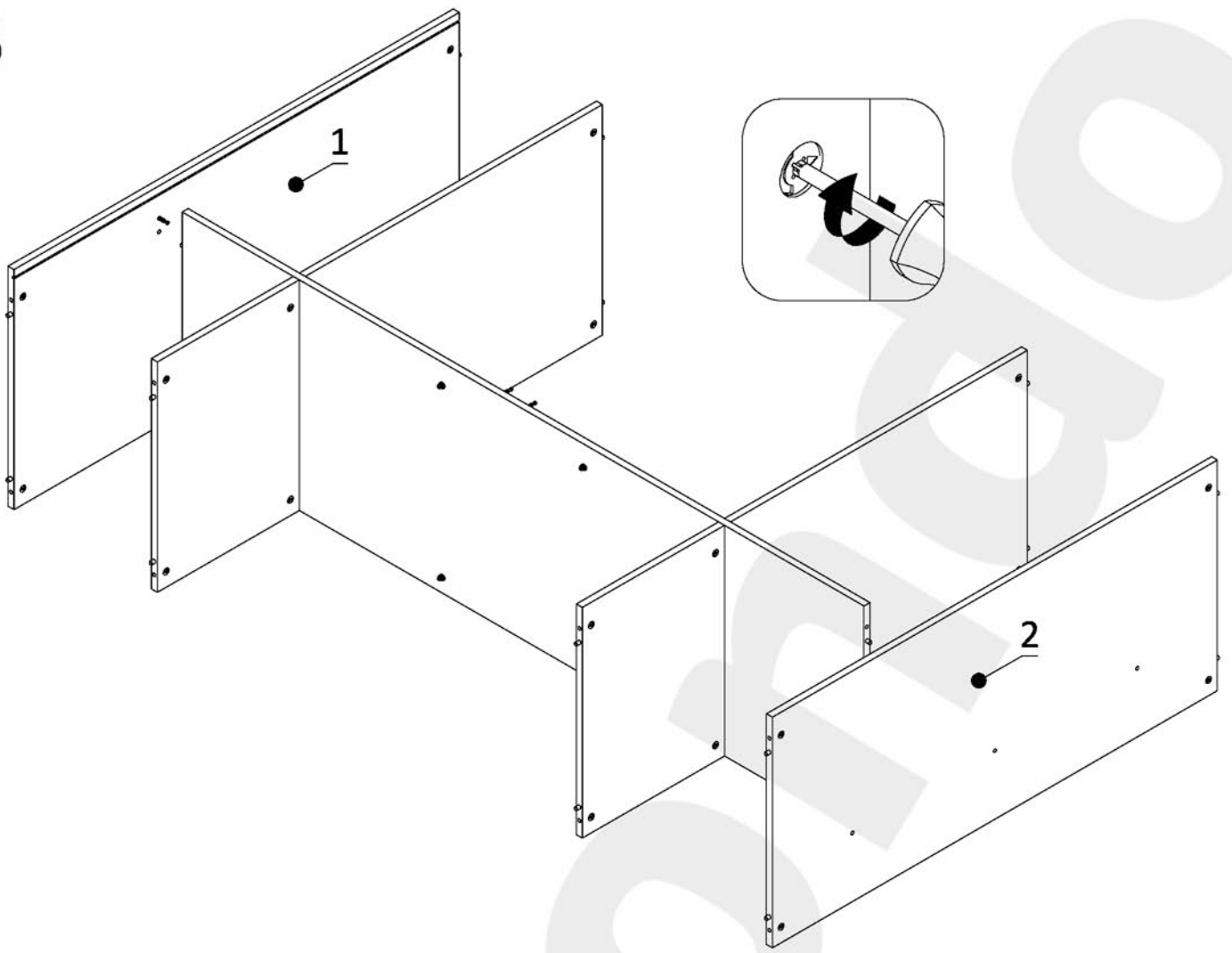
11



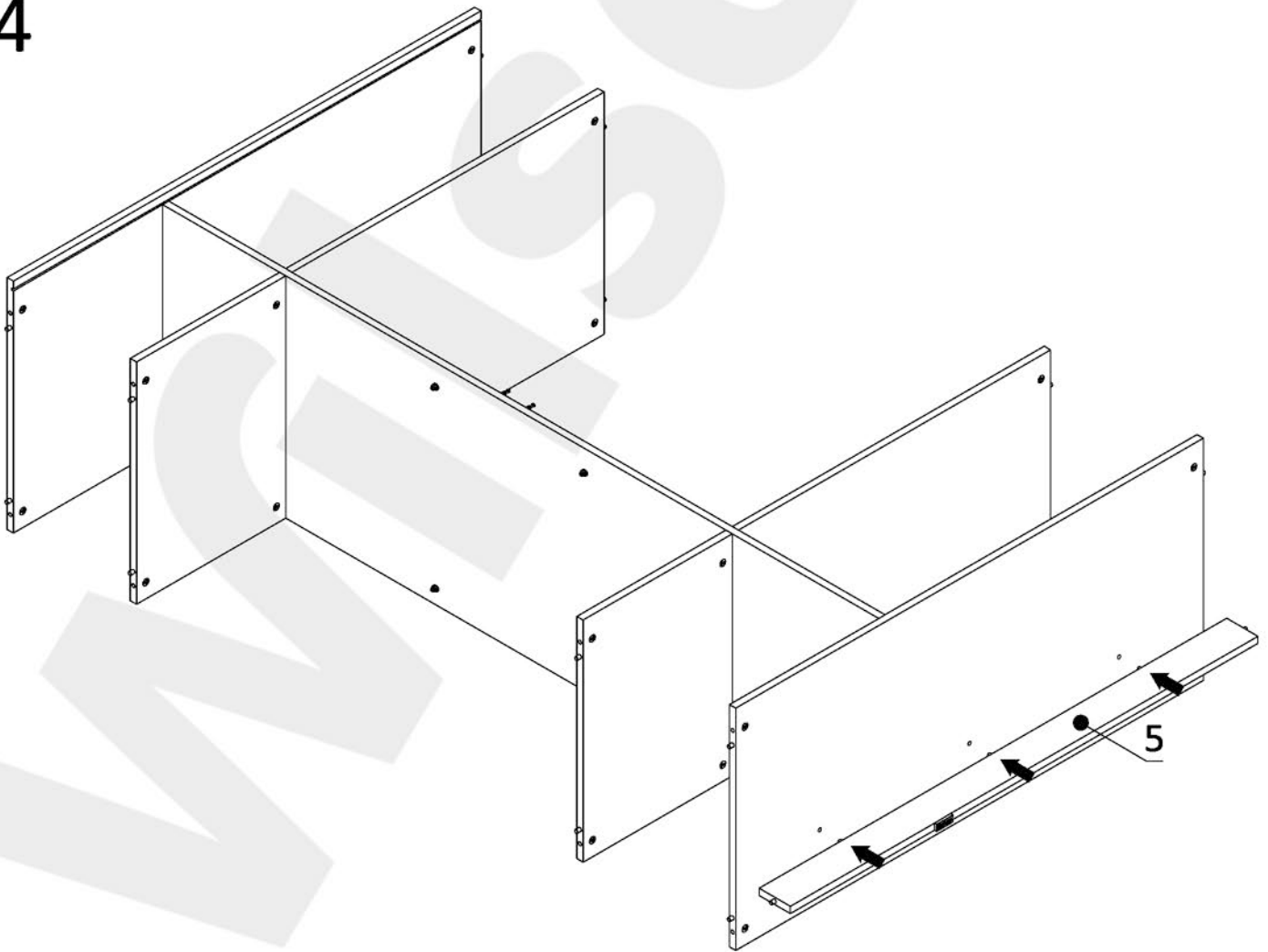
12



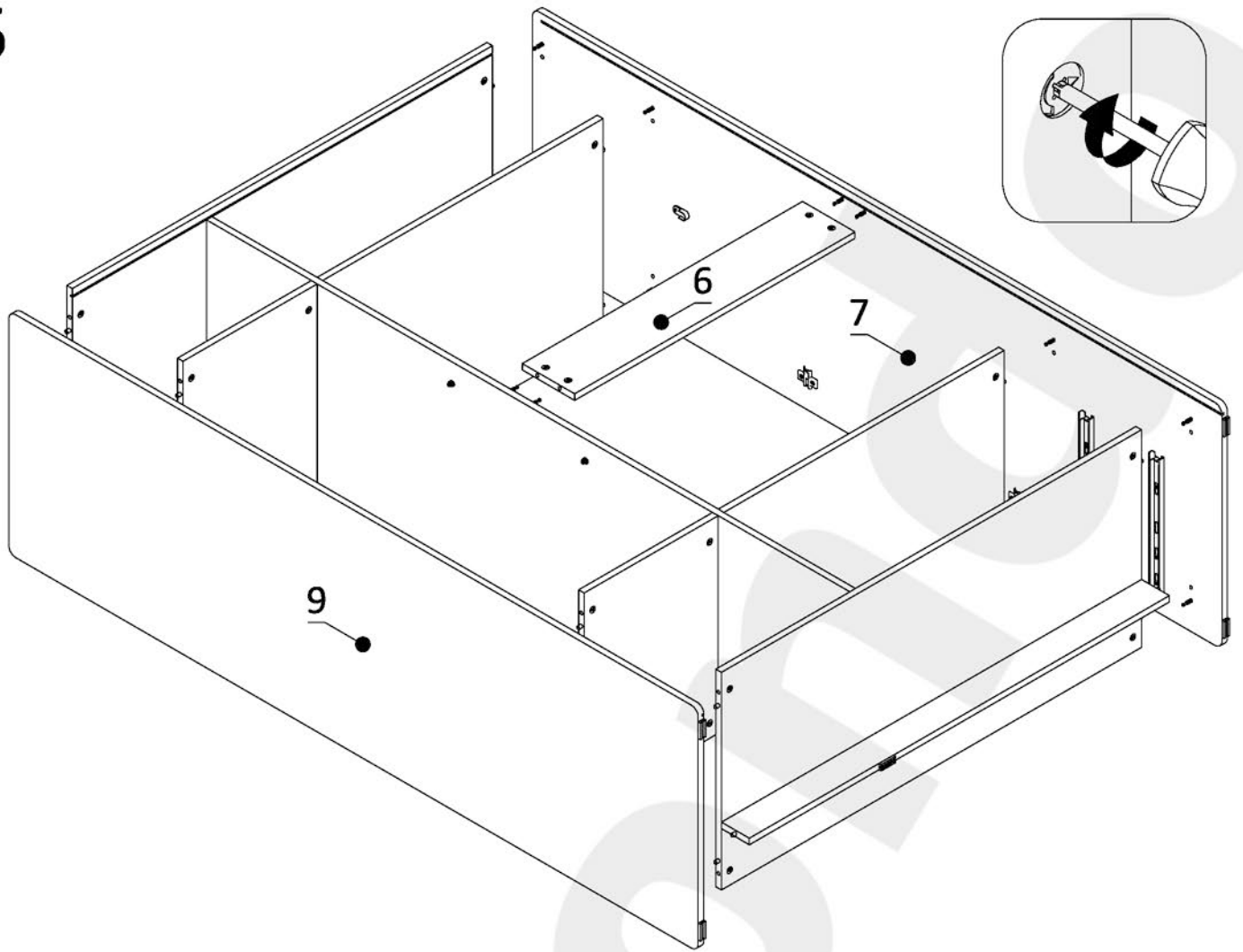
13



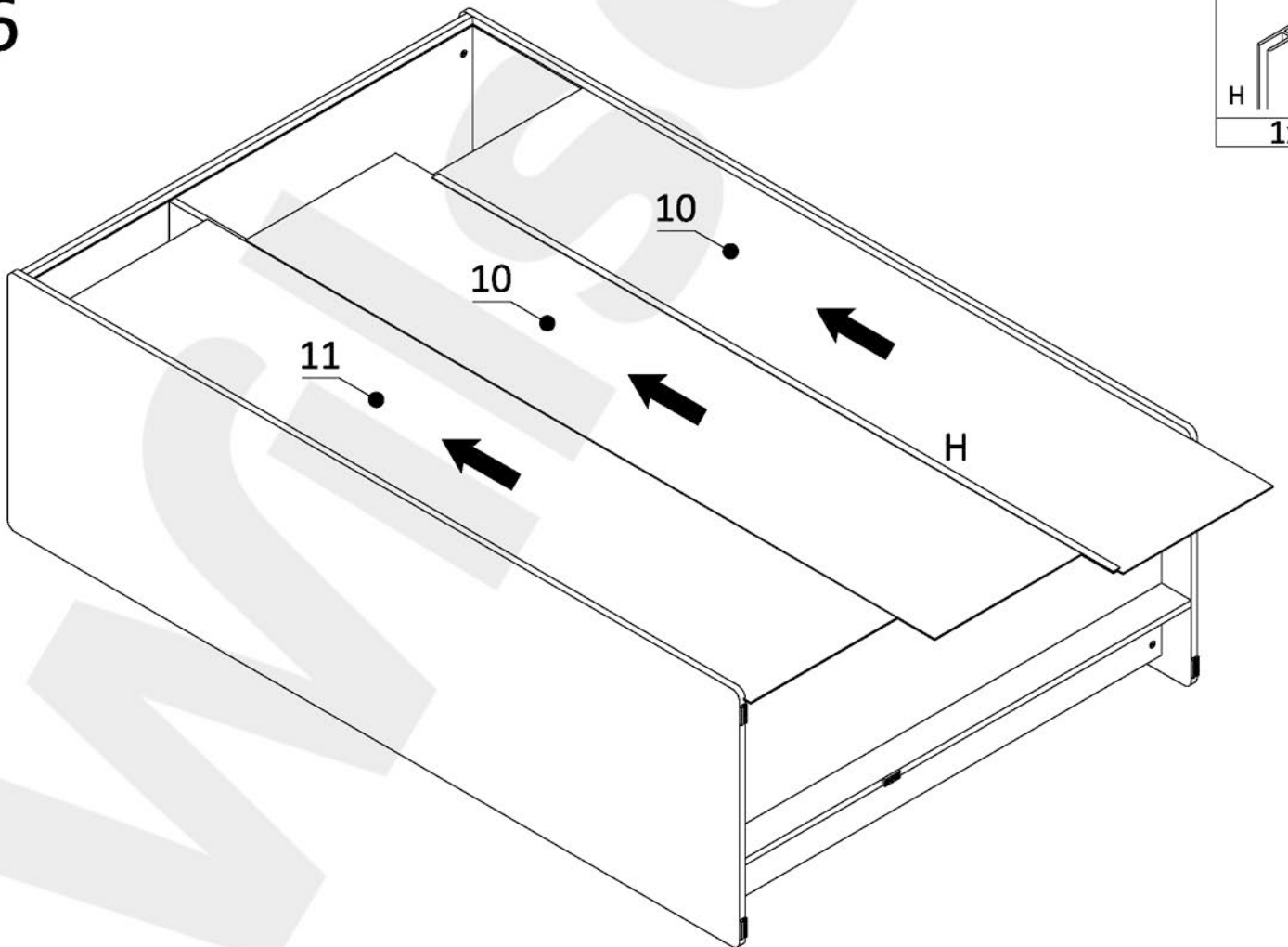
14



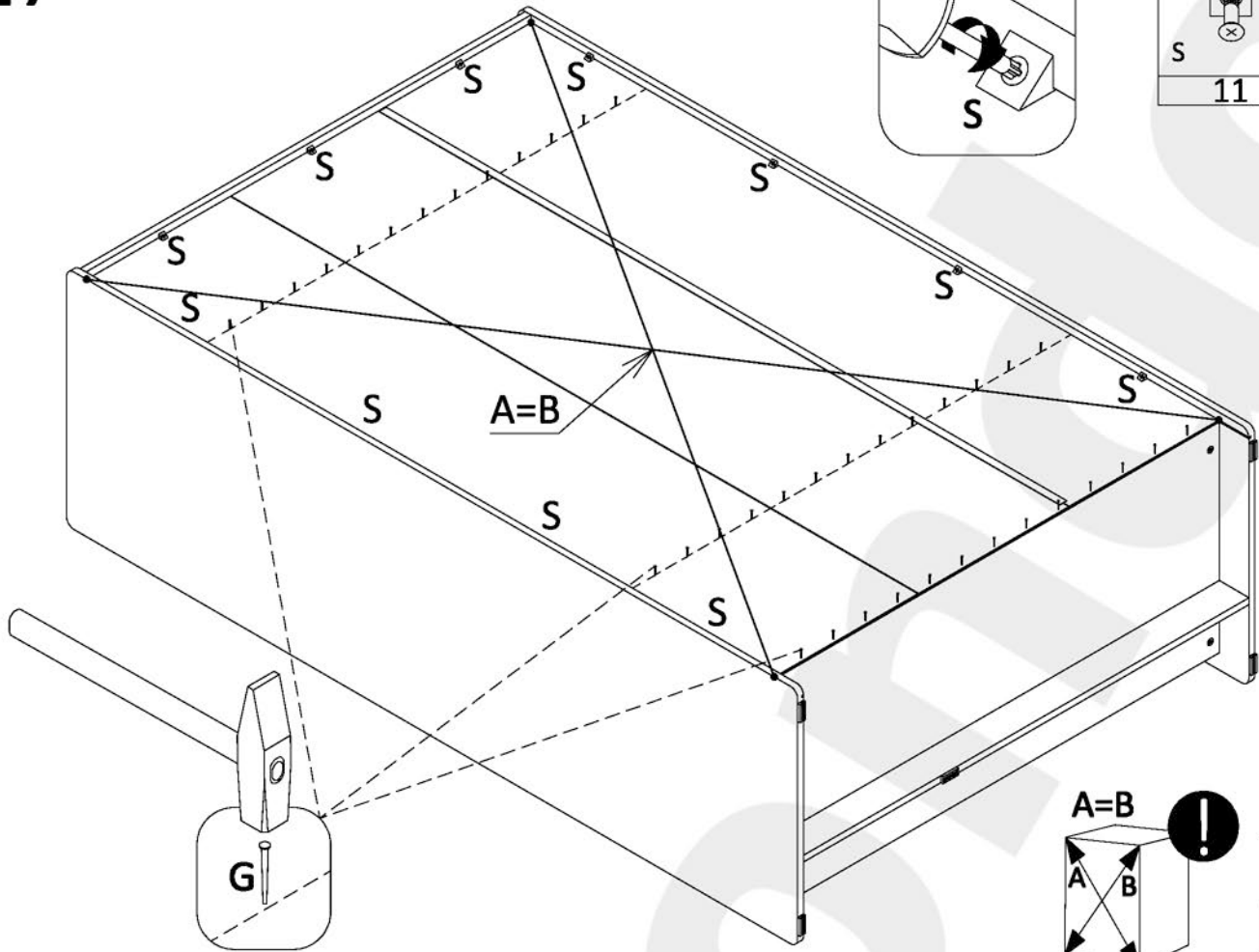
15





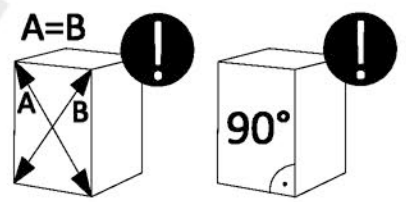
16



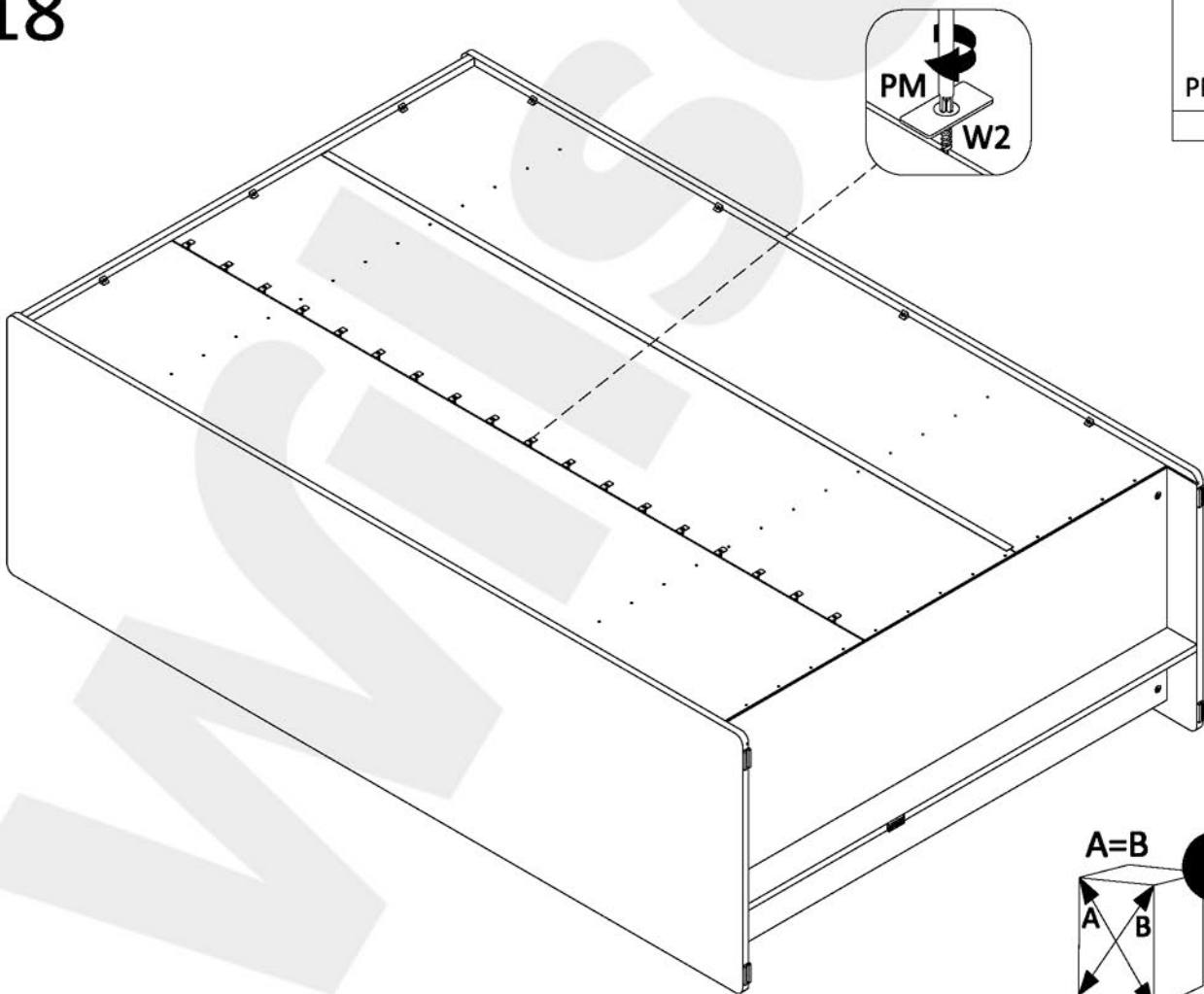
17





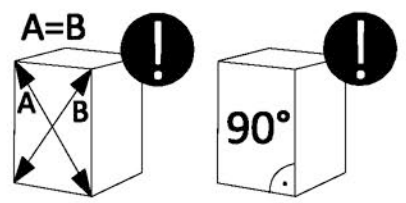
 S	 G
11	39x



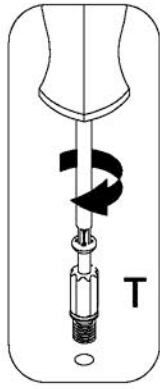
18





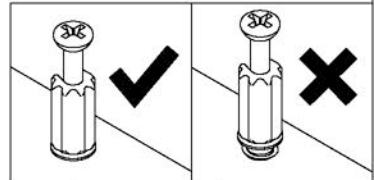
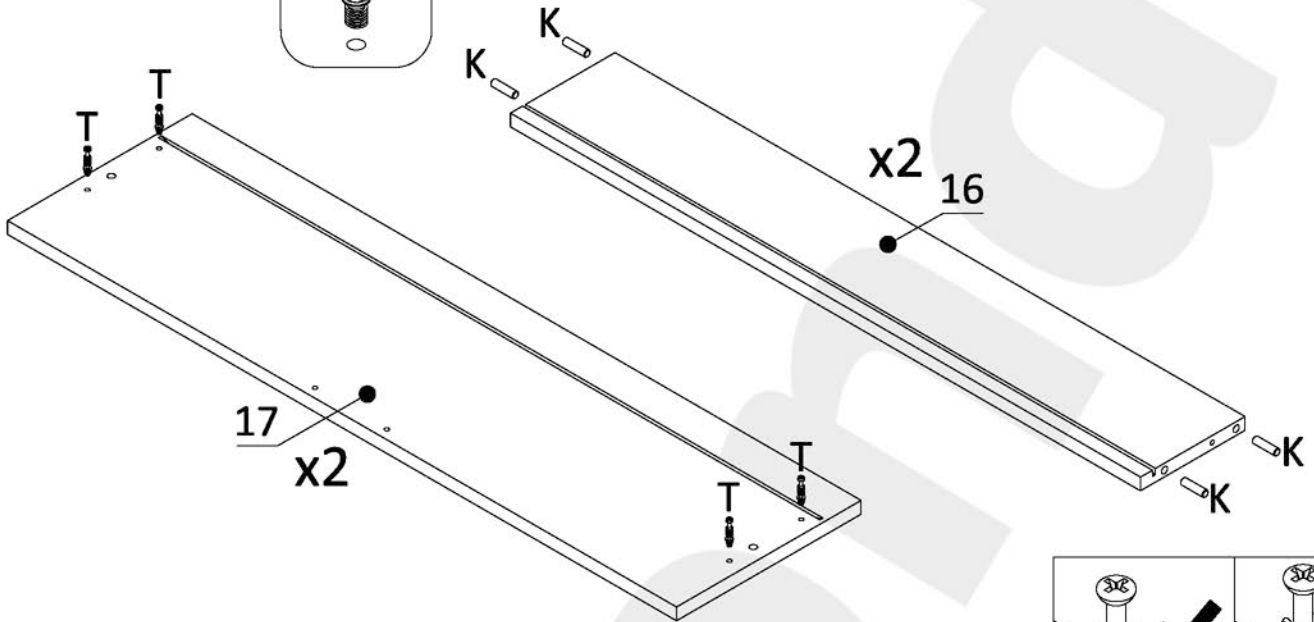
 PM	 W2
18x	18x



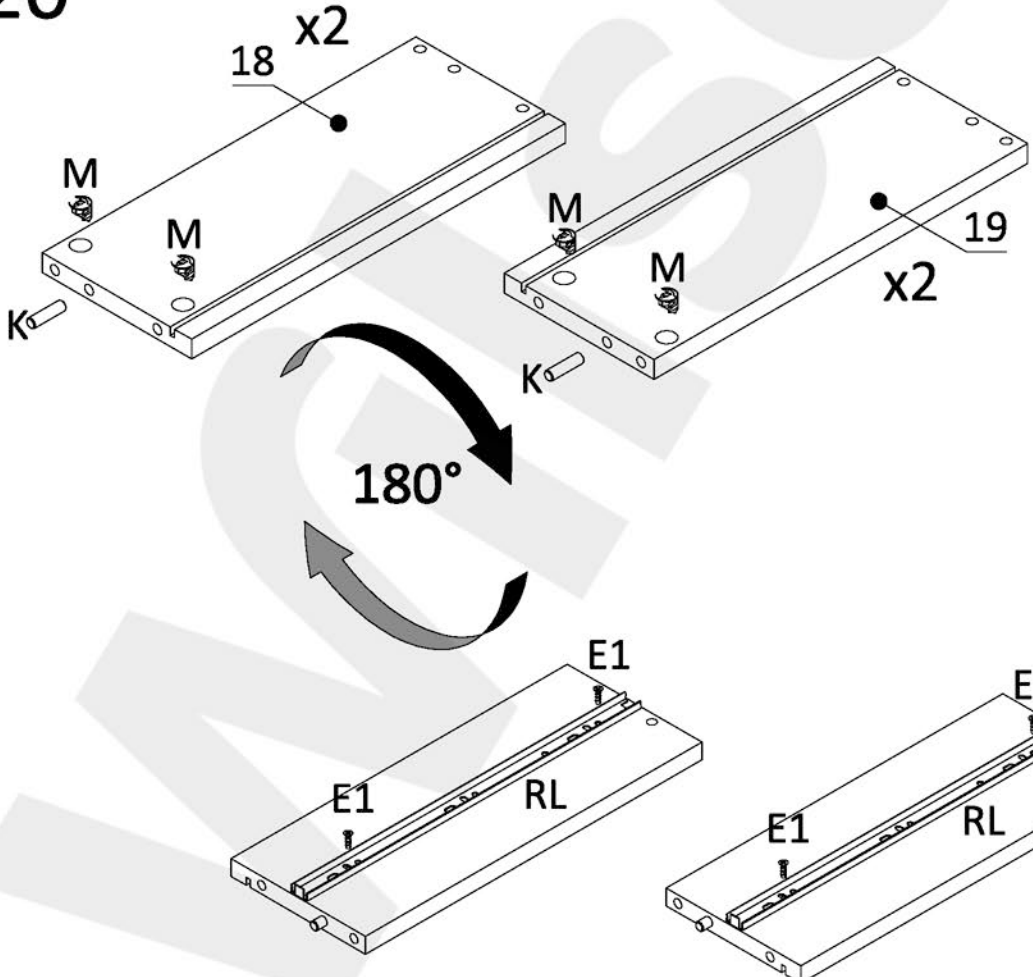
19



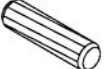
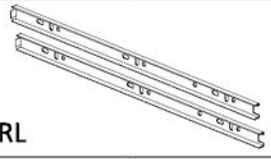


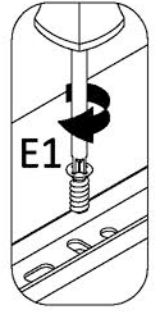
 K	 T
8x	8x





20

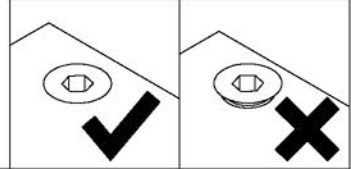
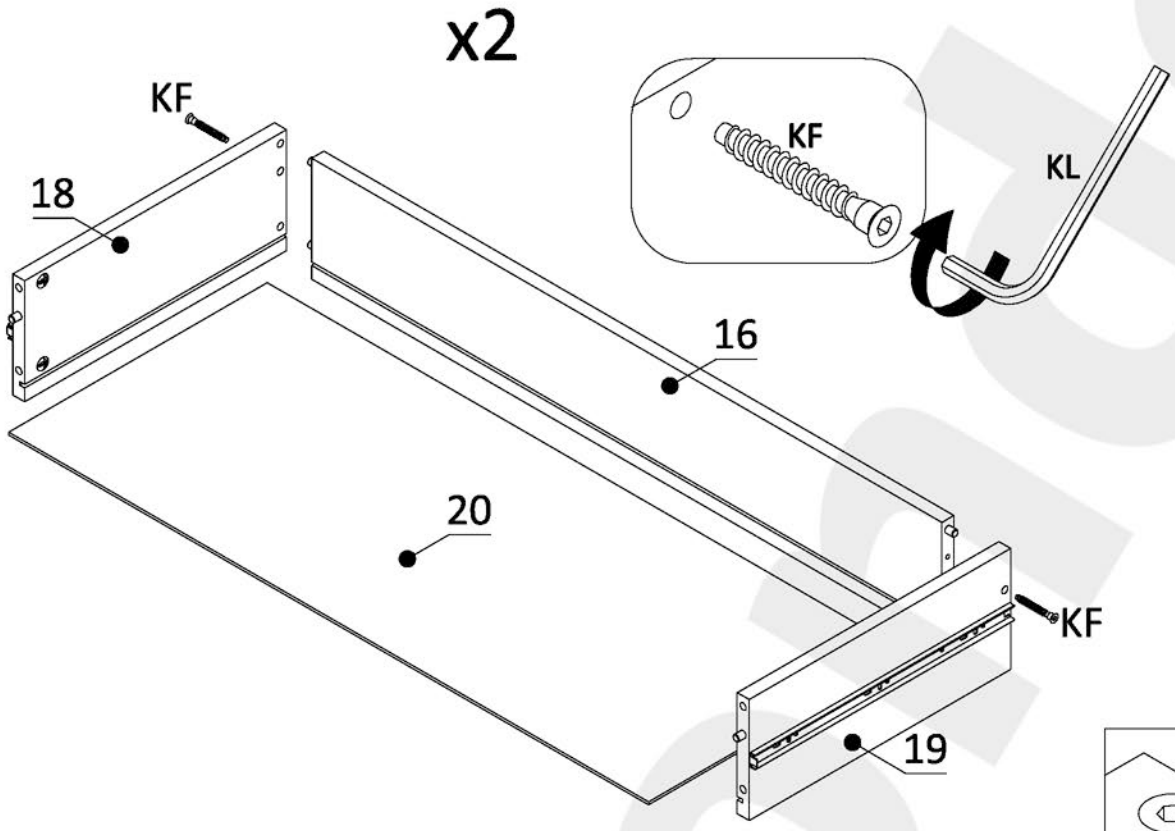


 E1	 M	 K
8x	8x	4x
 RL		
2x		

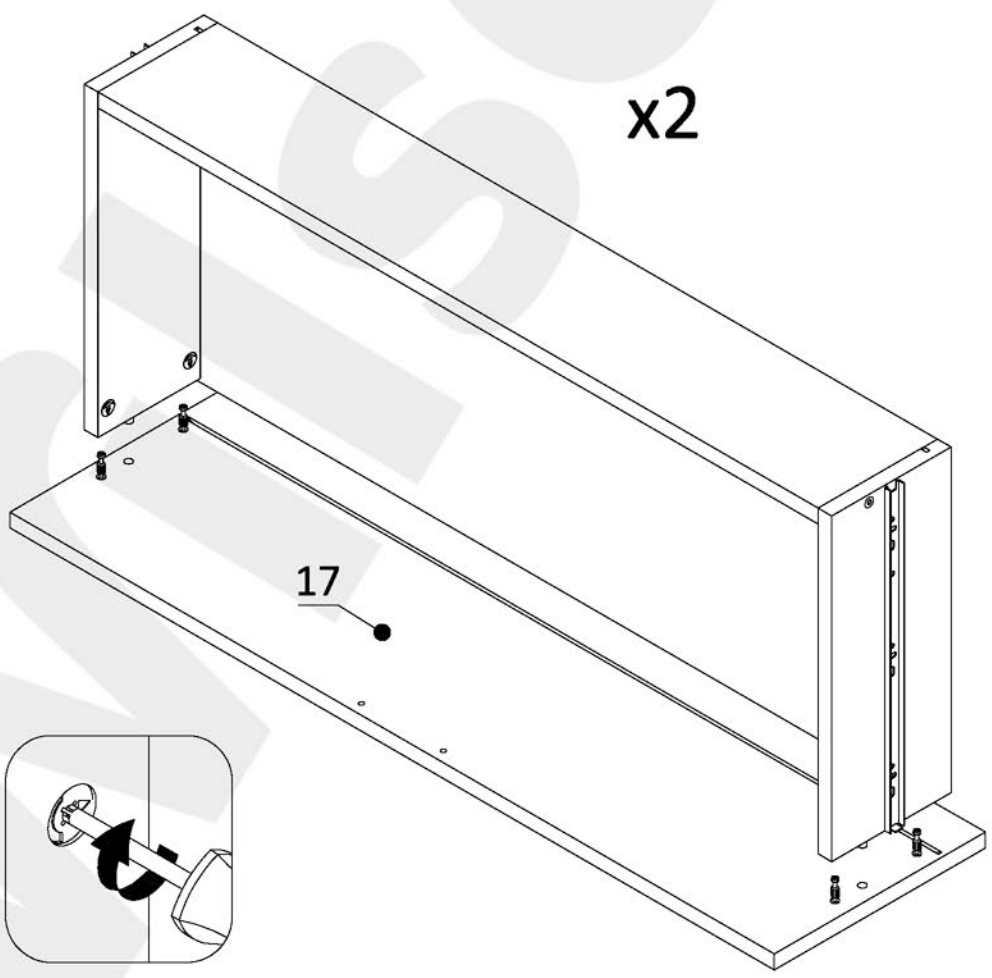


21

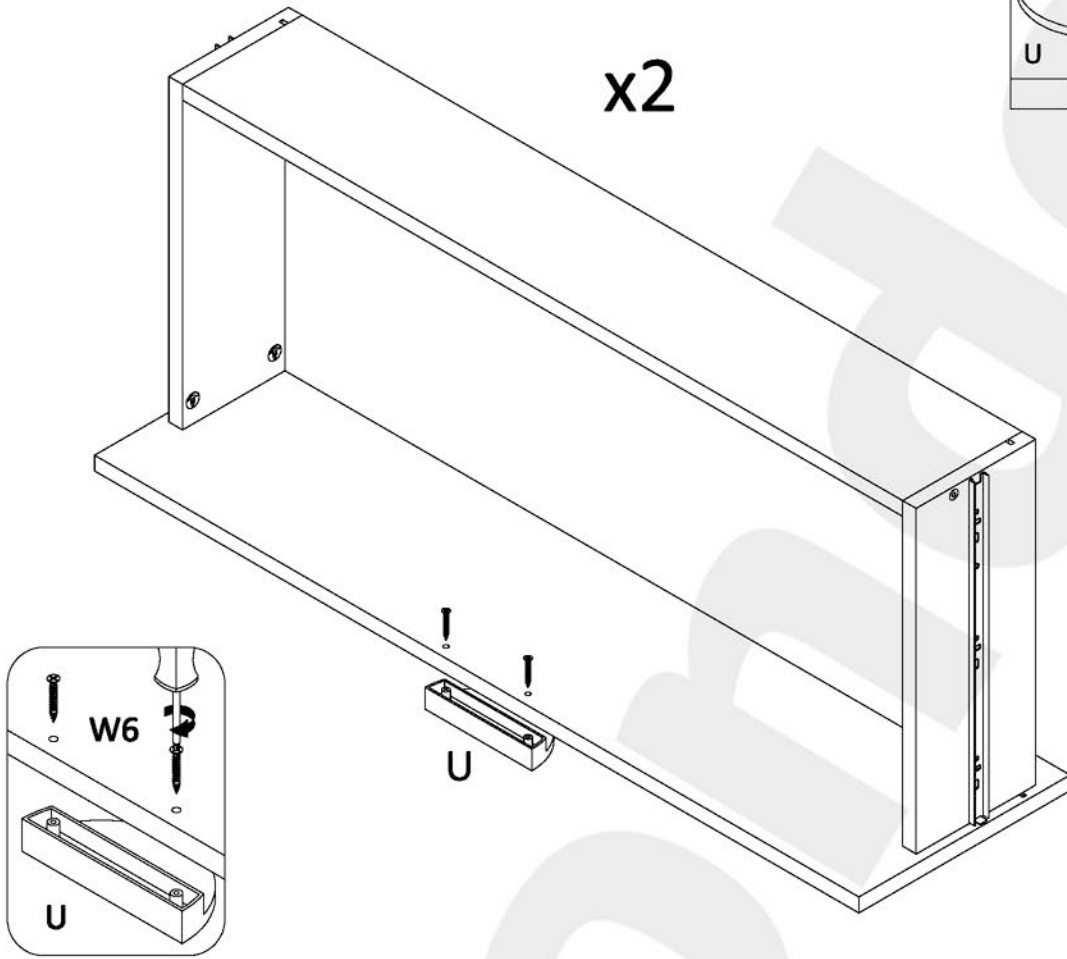
	
KF	KL
2x	1x



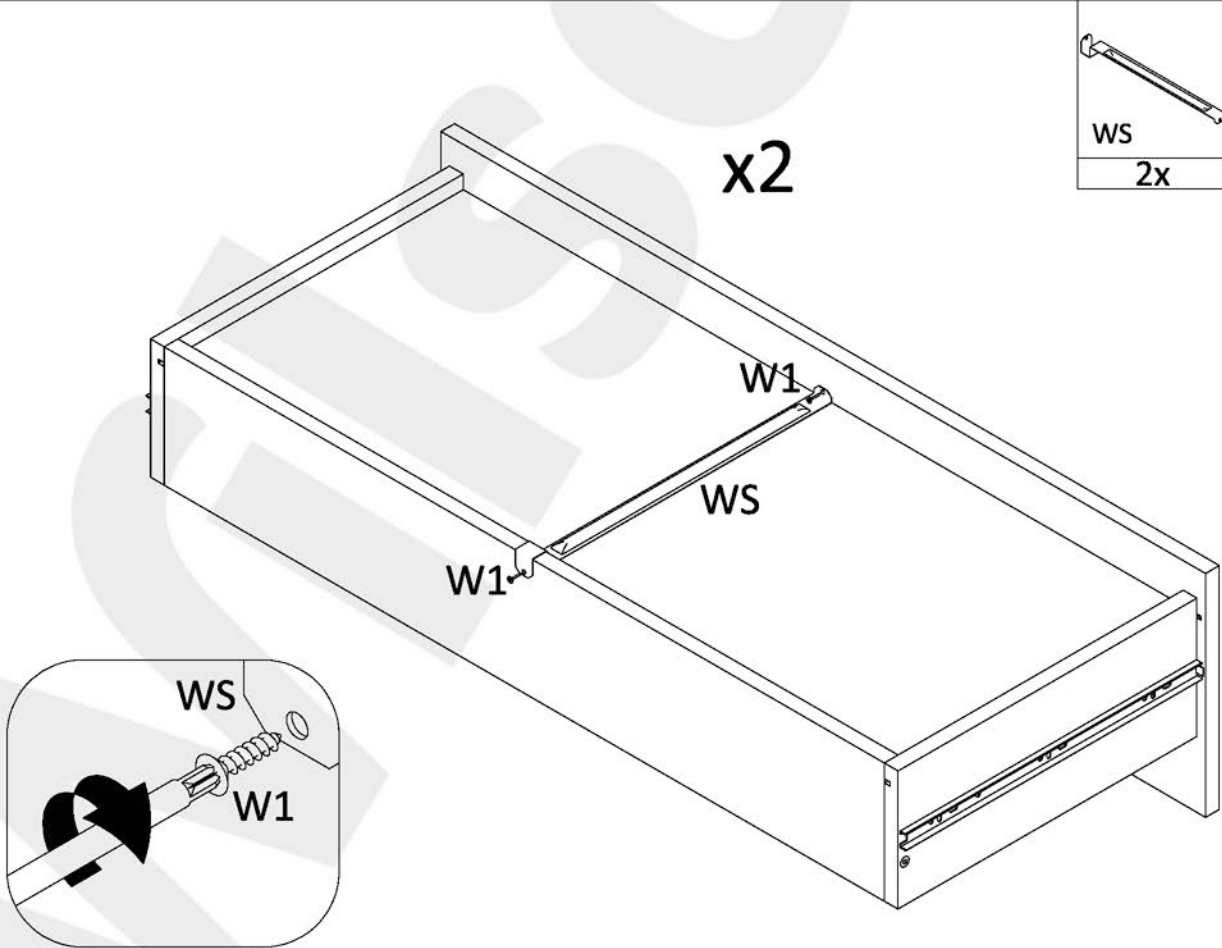
22



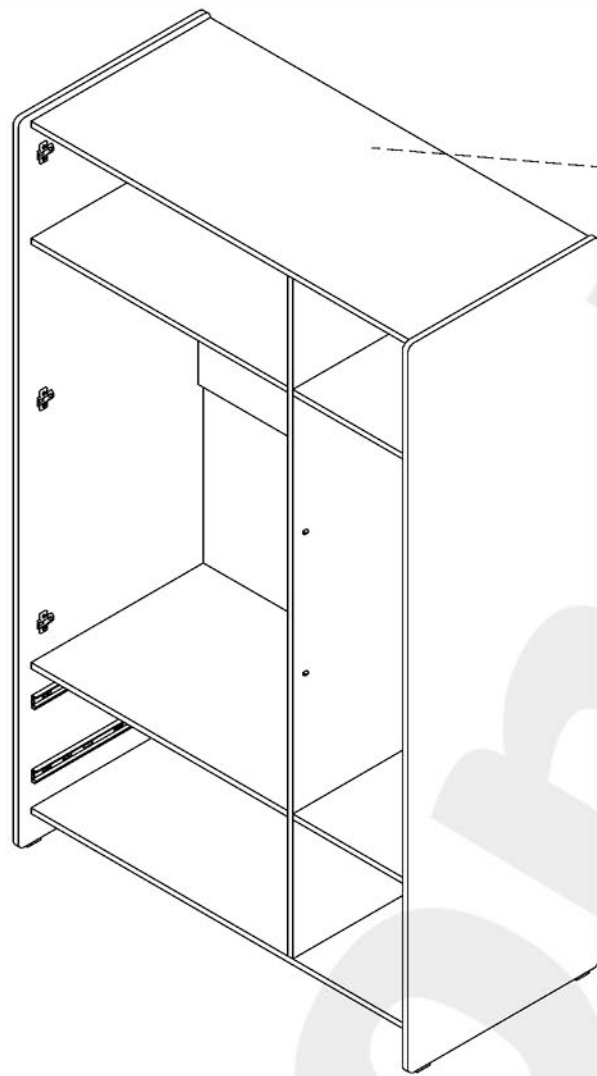
23



24

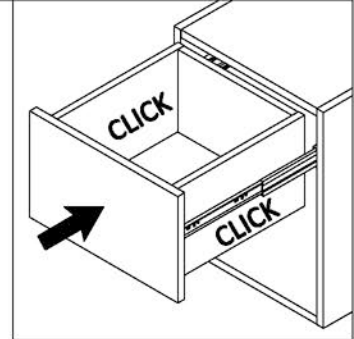
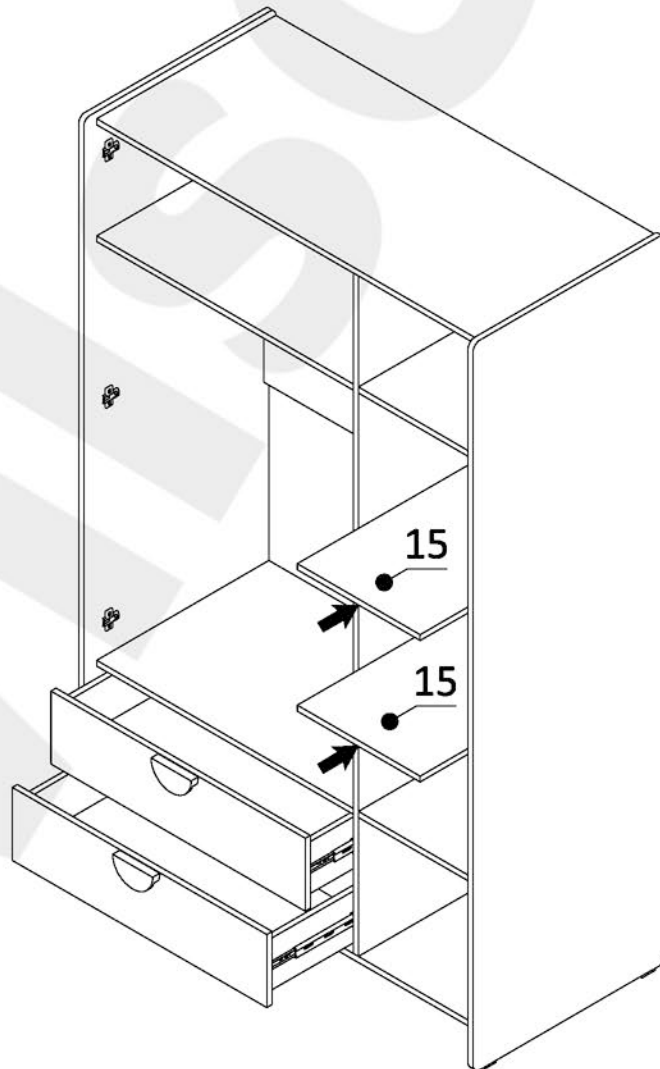
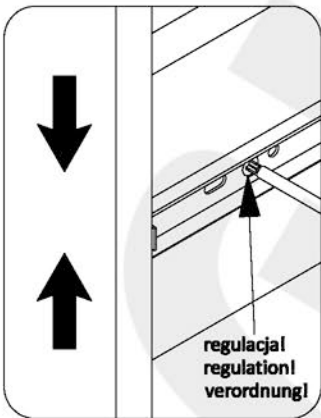


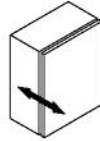
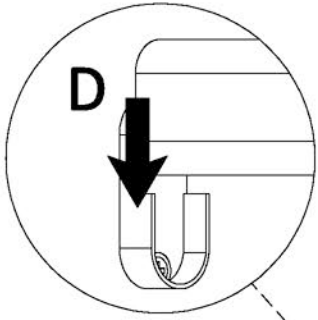
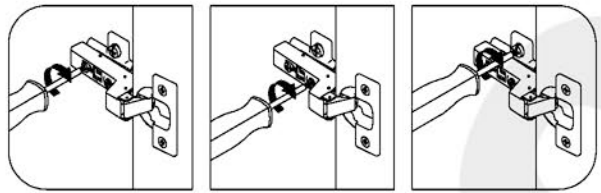
25



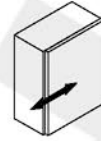
	PS 1x
1	
2	
3	
4	

26

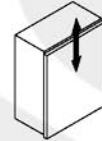




±2mm



±2mm



±2mm

