
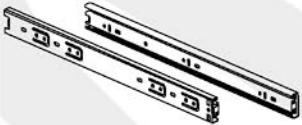






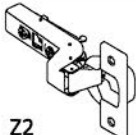













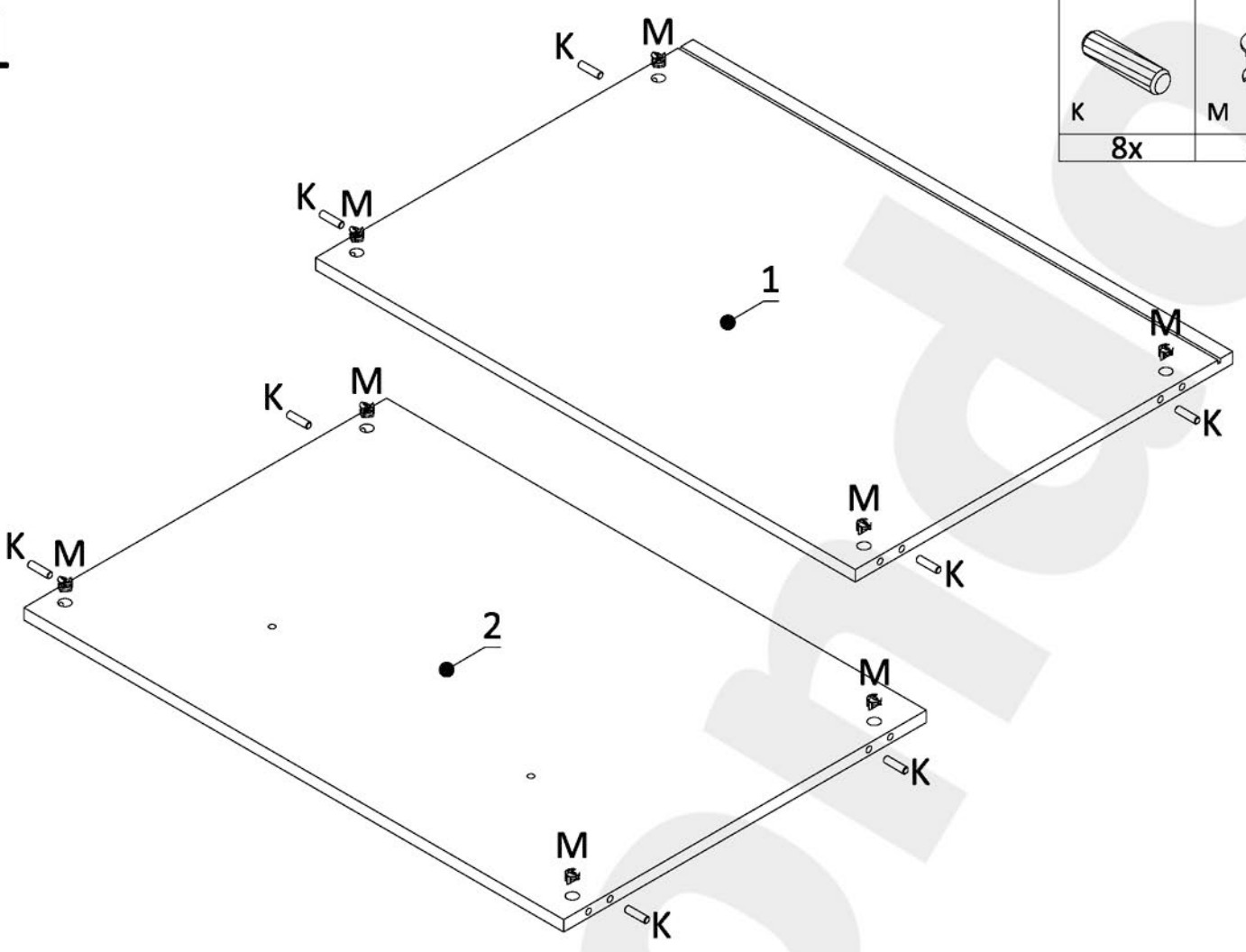


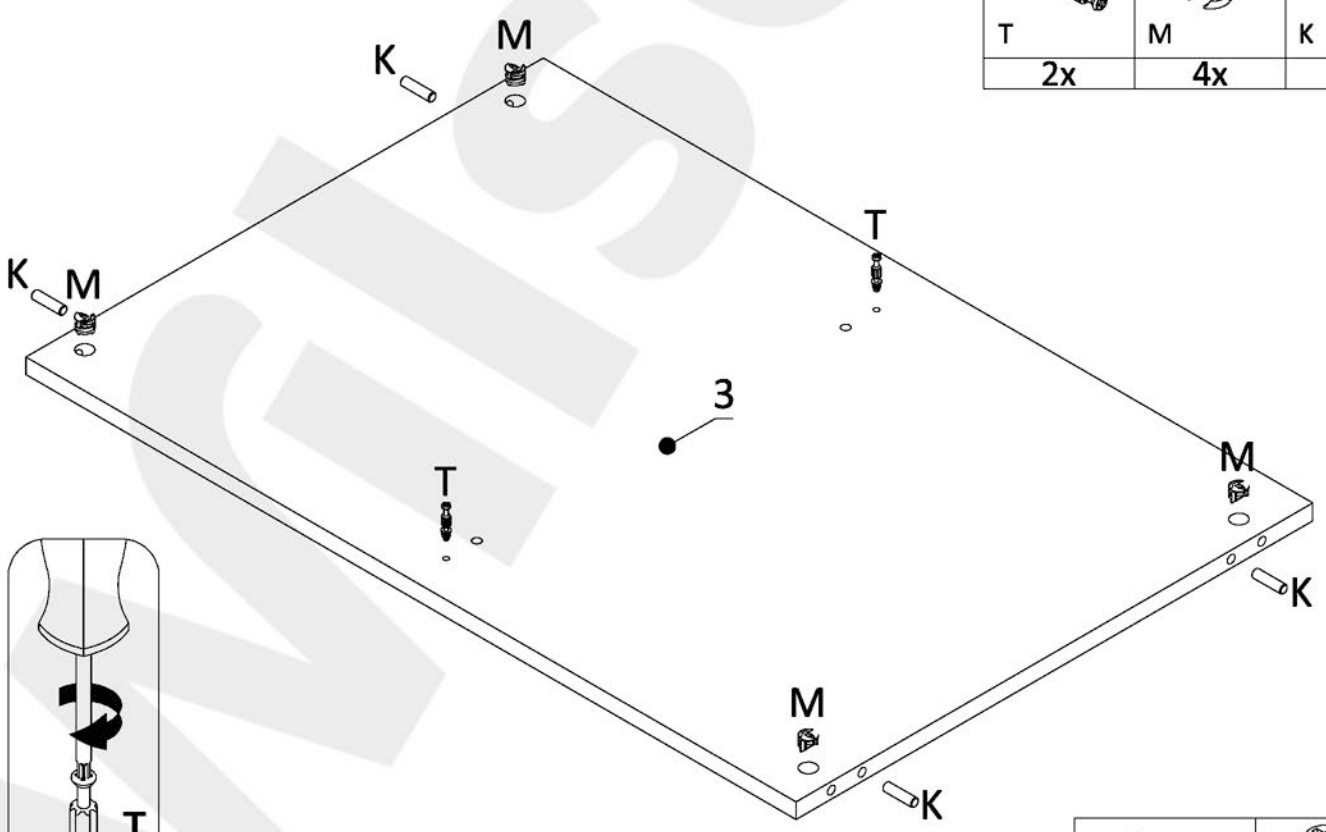
 K 8x30 36x	 U 4x	 2x PK-OH35-350													
 WS L350 2x	 KF 7x50 4x	 E1 5x13 16x	 W1 3x13 4x	 W4 4x16 16x	 W6 4x30 8x	 Z2 6x 6x	 PZ 6x 6x	 M 15/12 32x	 T L20,3 32x						
 H 1x	 R 2x	 D 1x	 P 8x	 ZM 32x	 SL 5x	 KL 1x	 G 27x	 S 10x	 PS 1x						




1

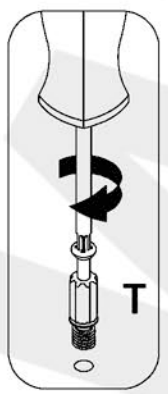




	
K	M
8x	8x

2

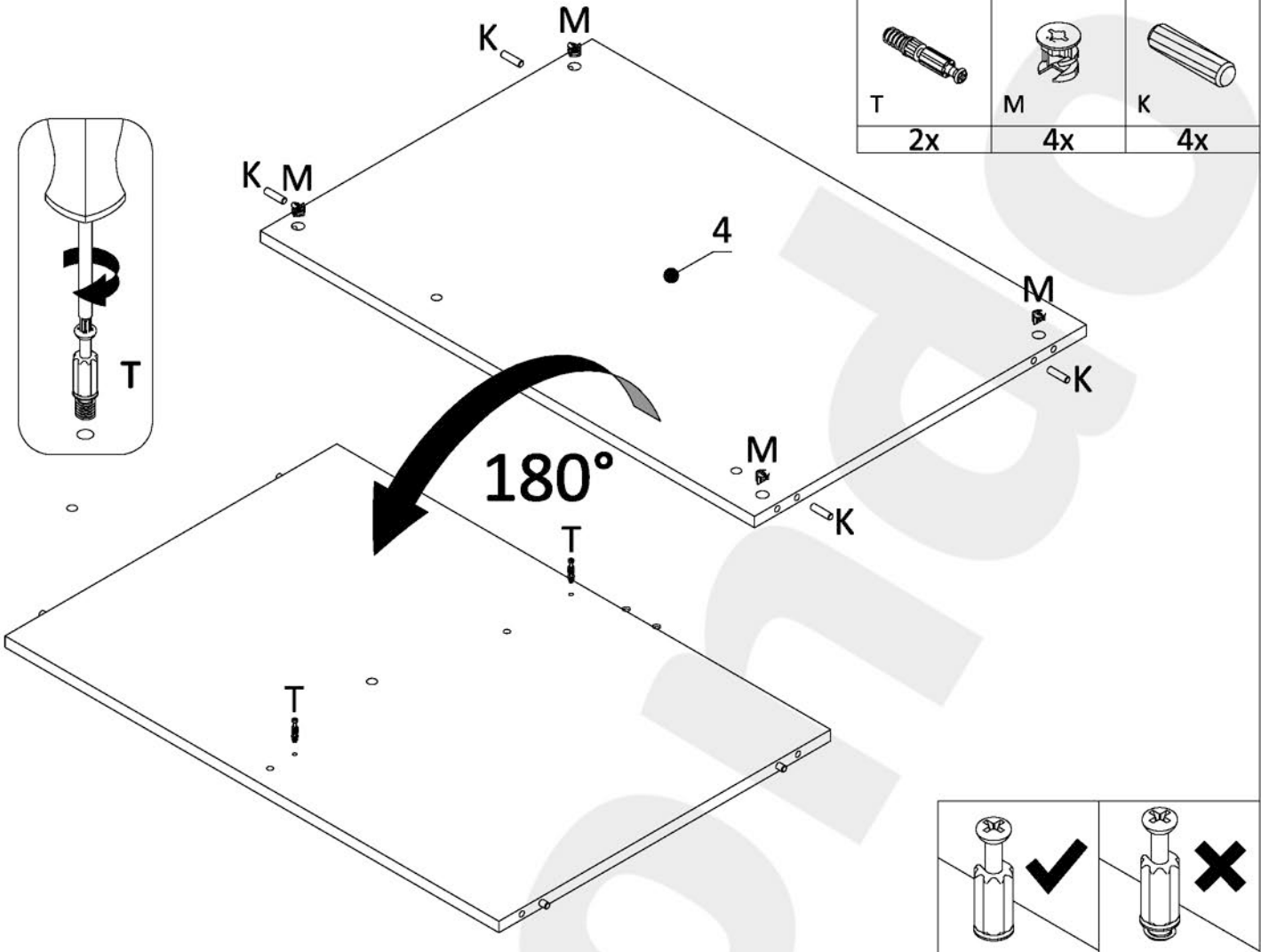
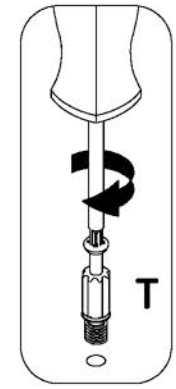


		
T	M	K
2x	4x	4x

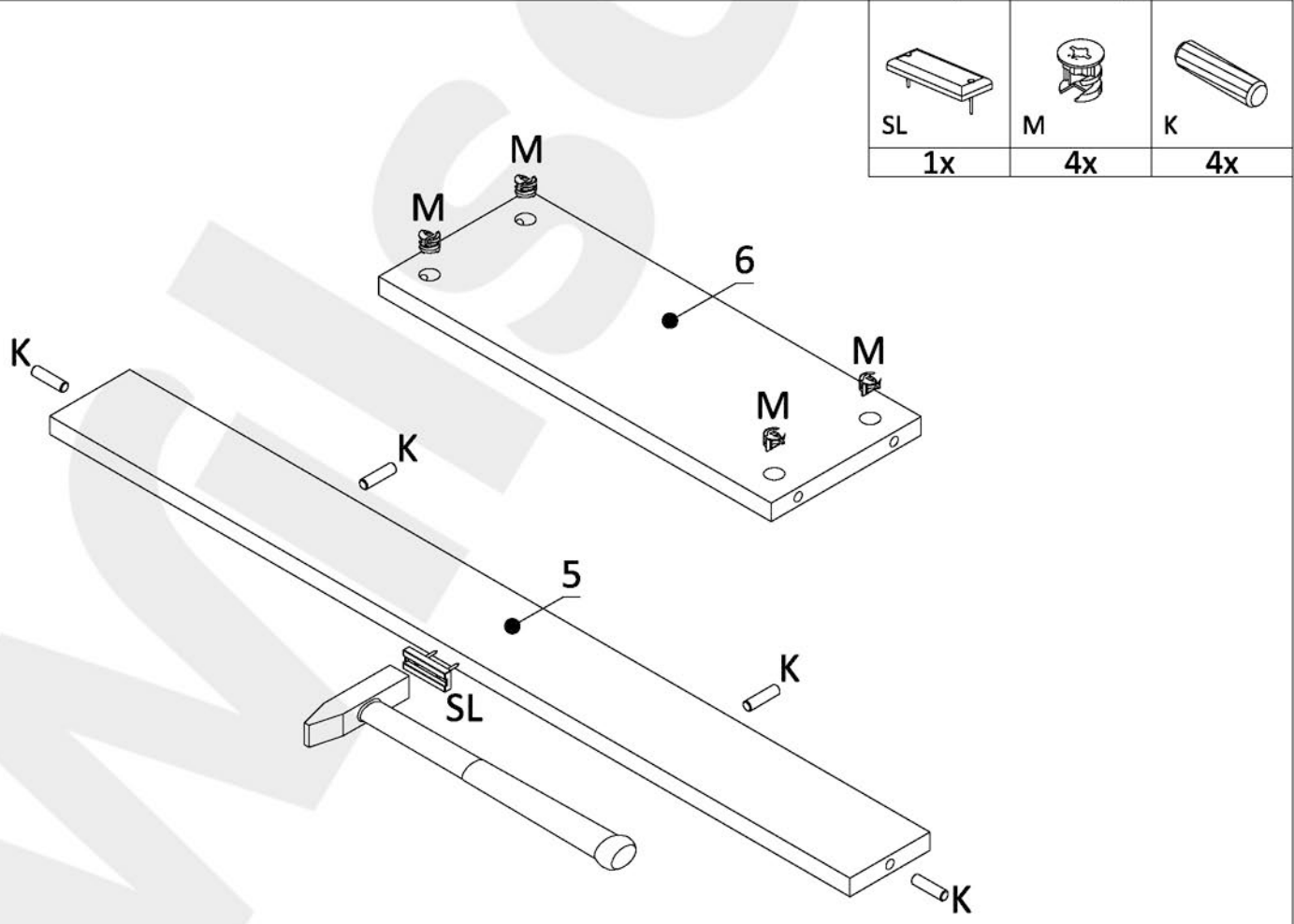


	✓		✗
---	---	---	---

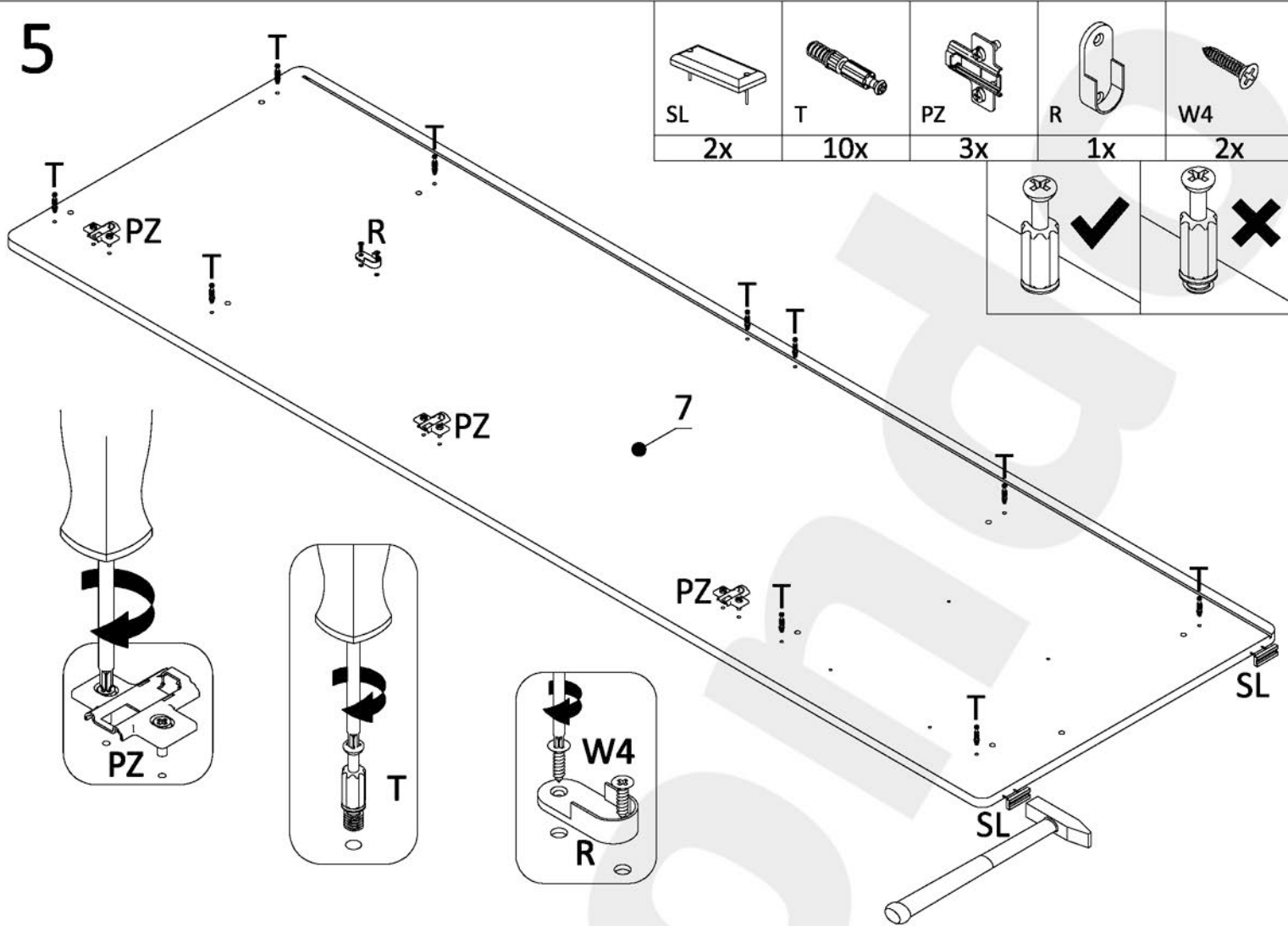
3



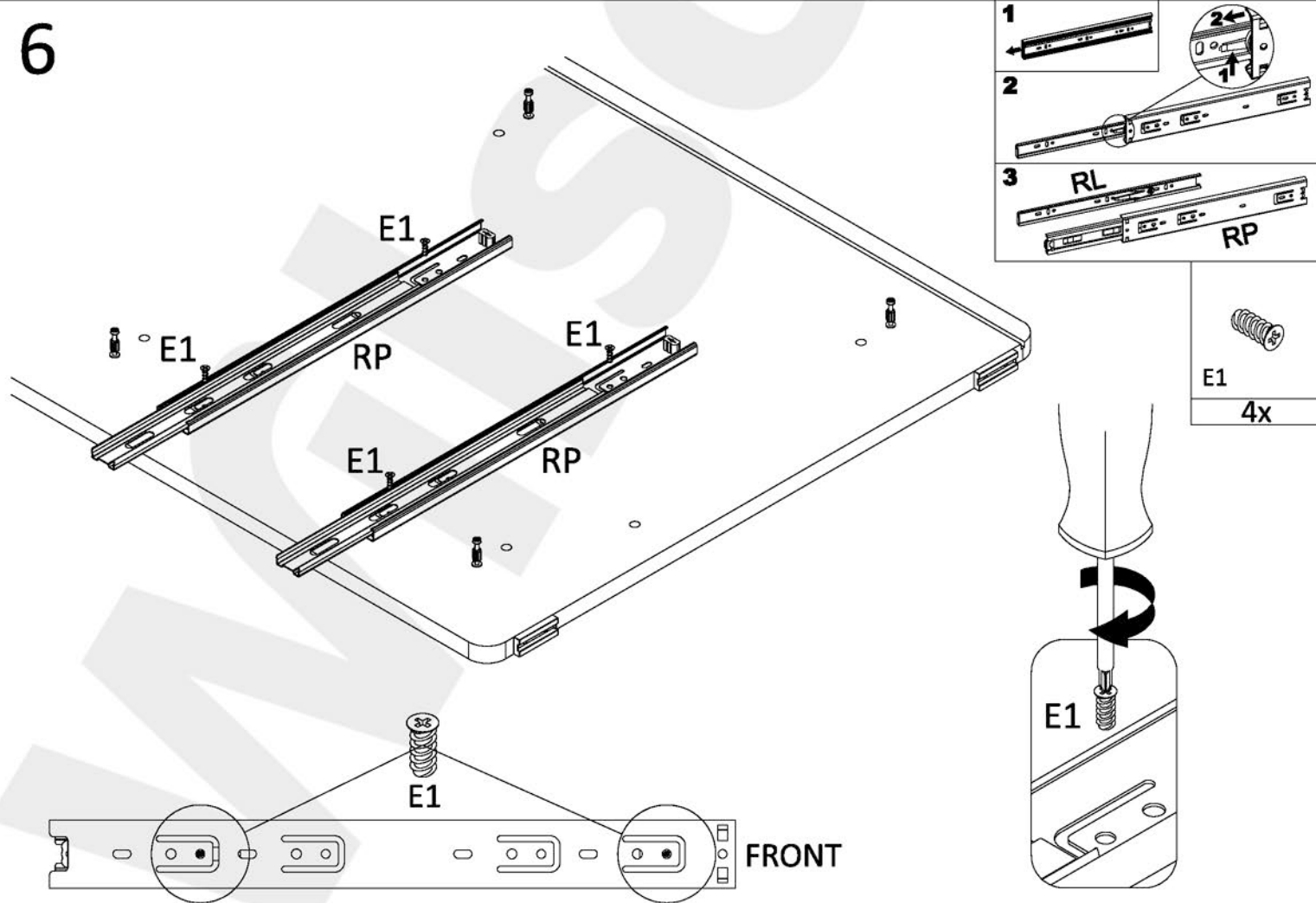
4



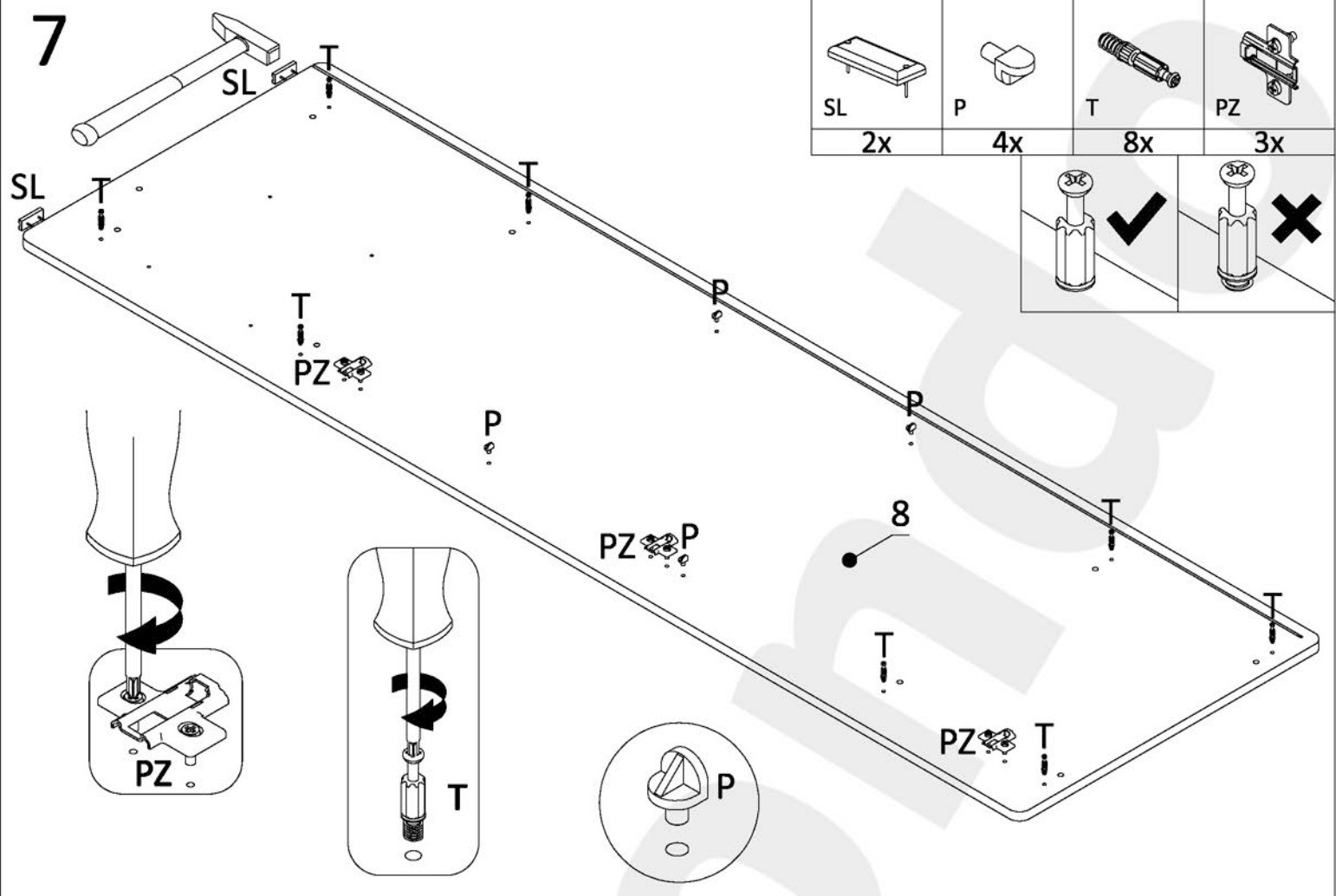
5



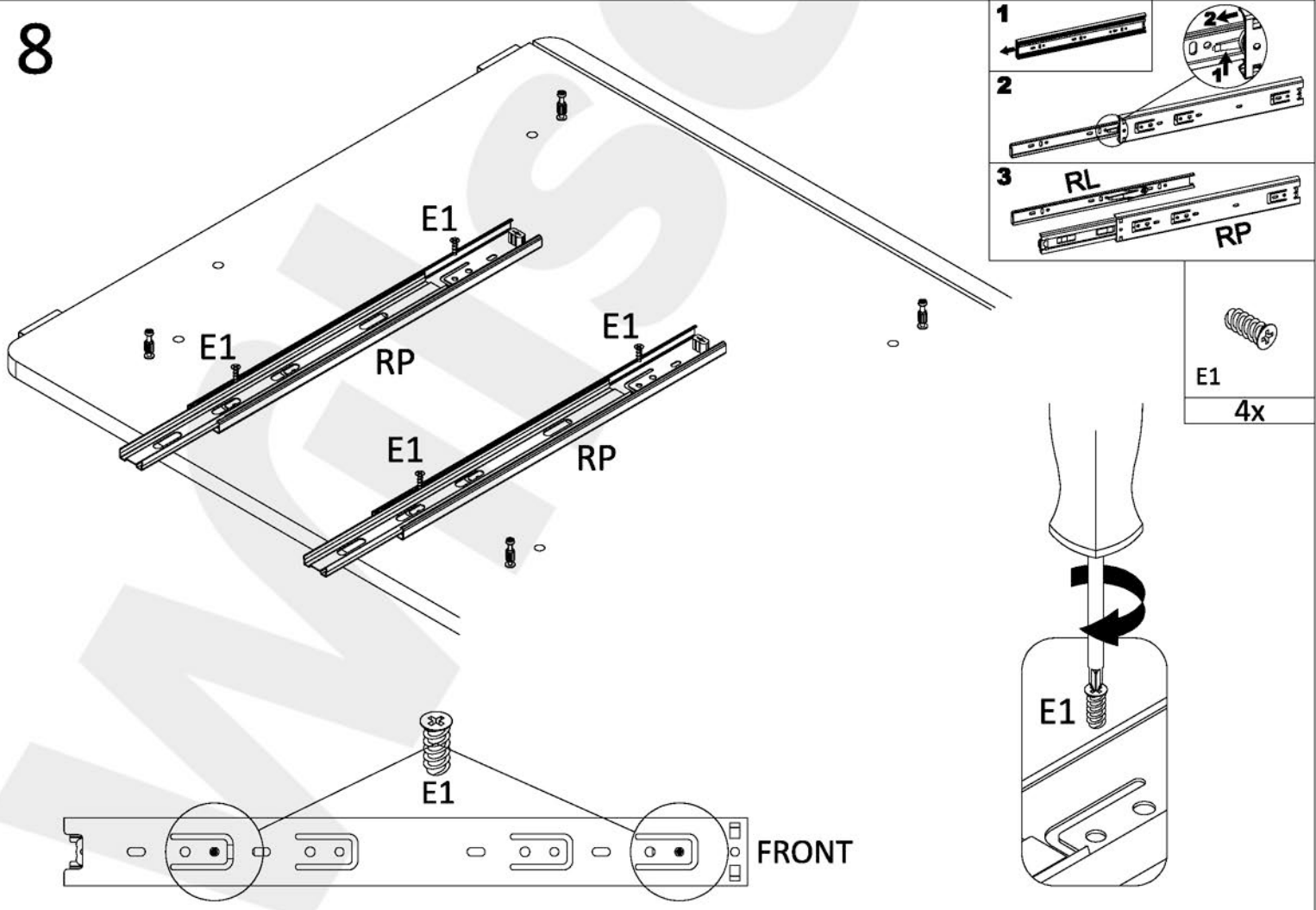
6



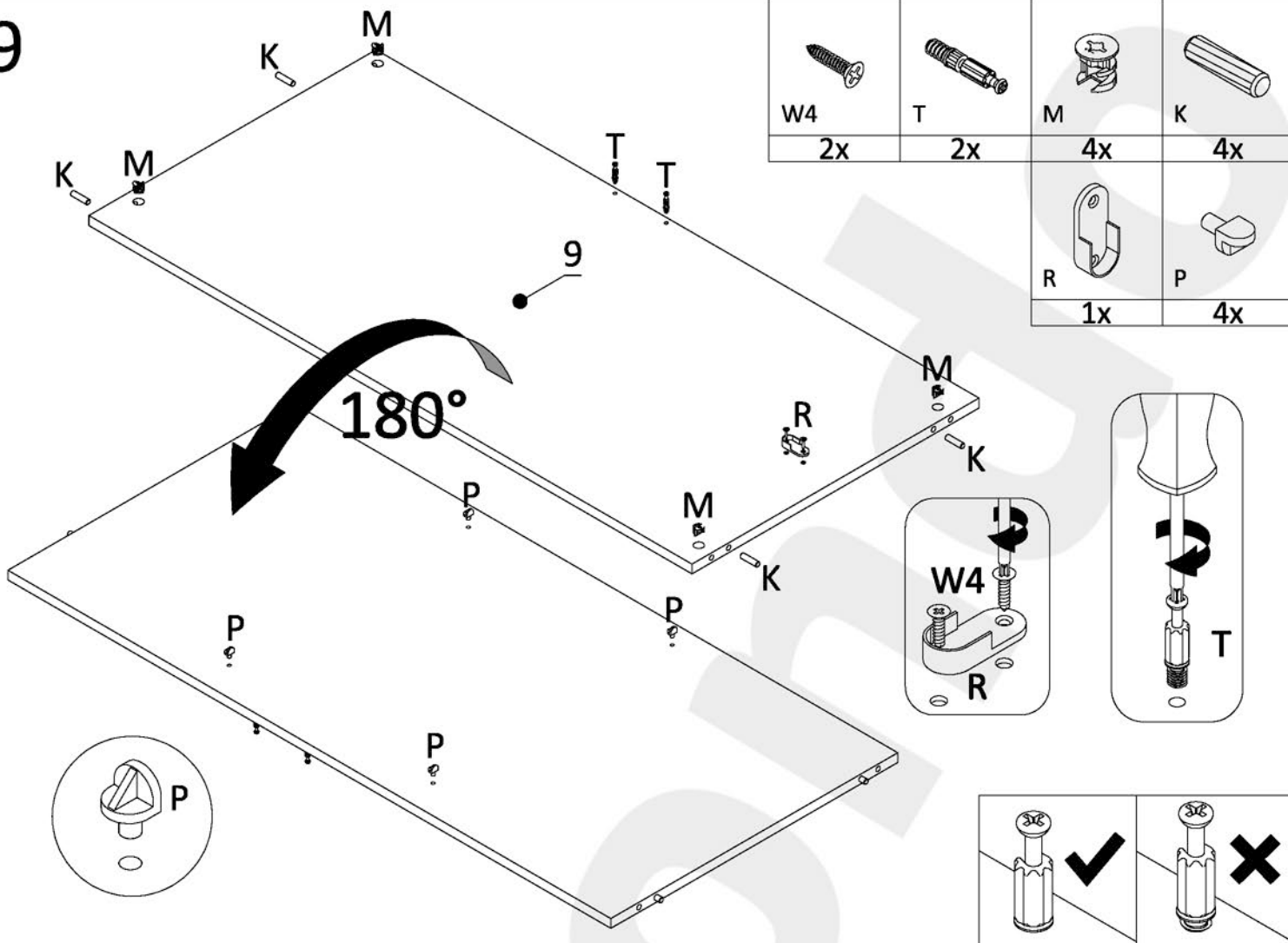
7



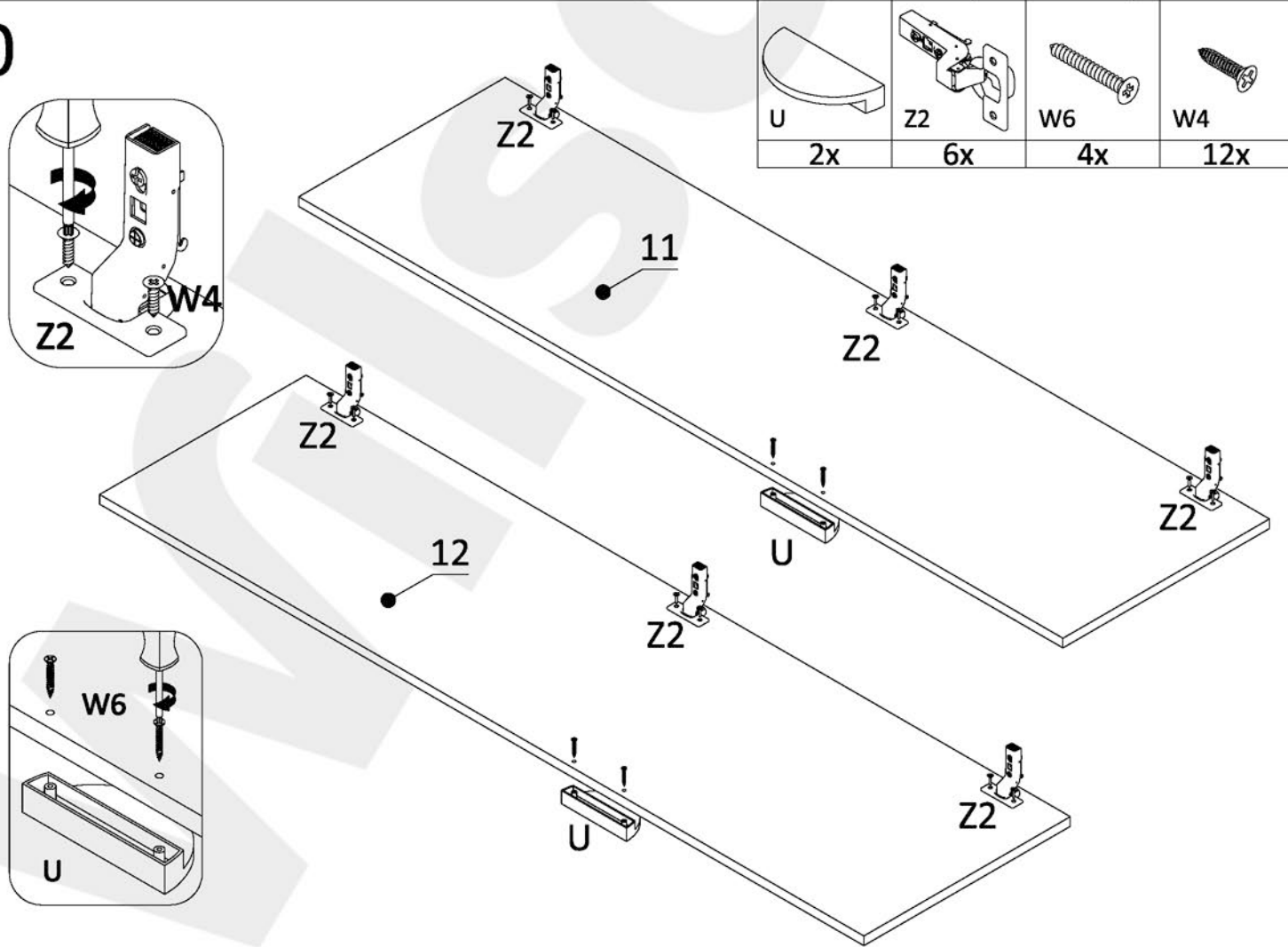
8



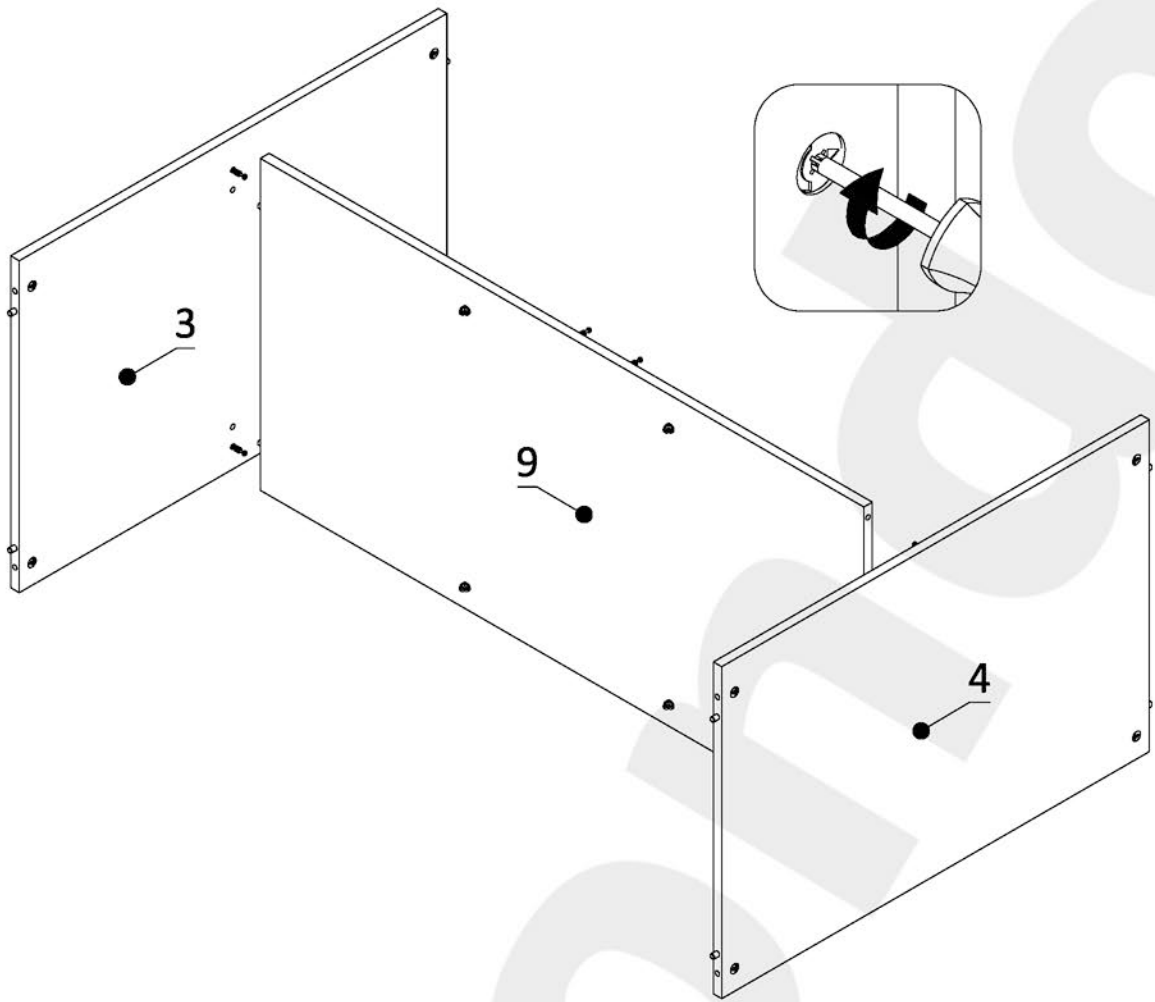
9



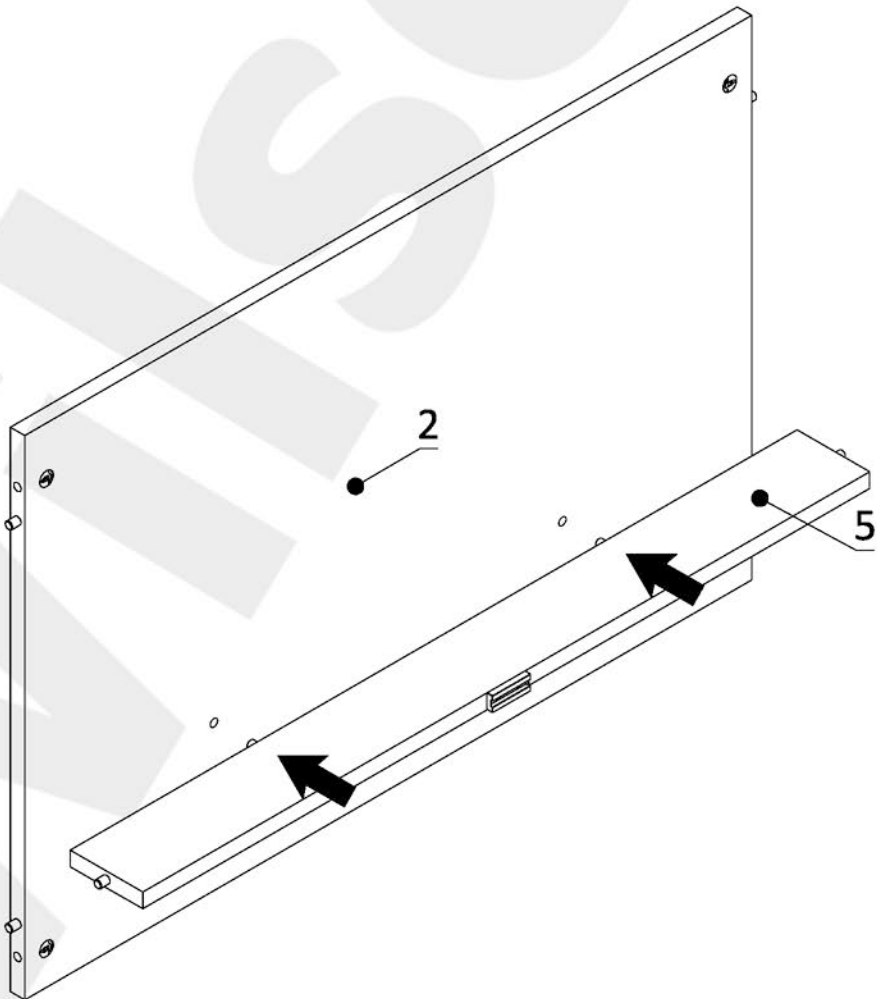
10



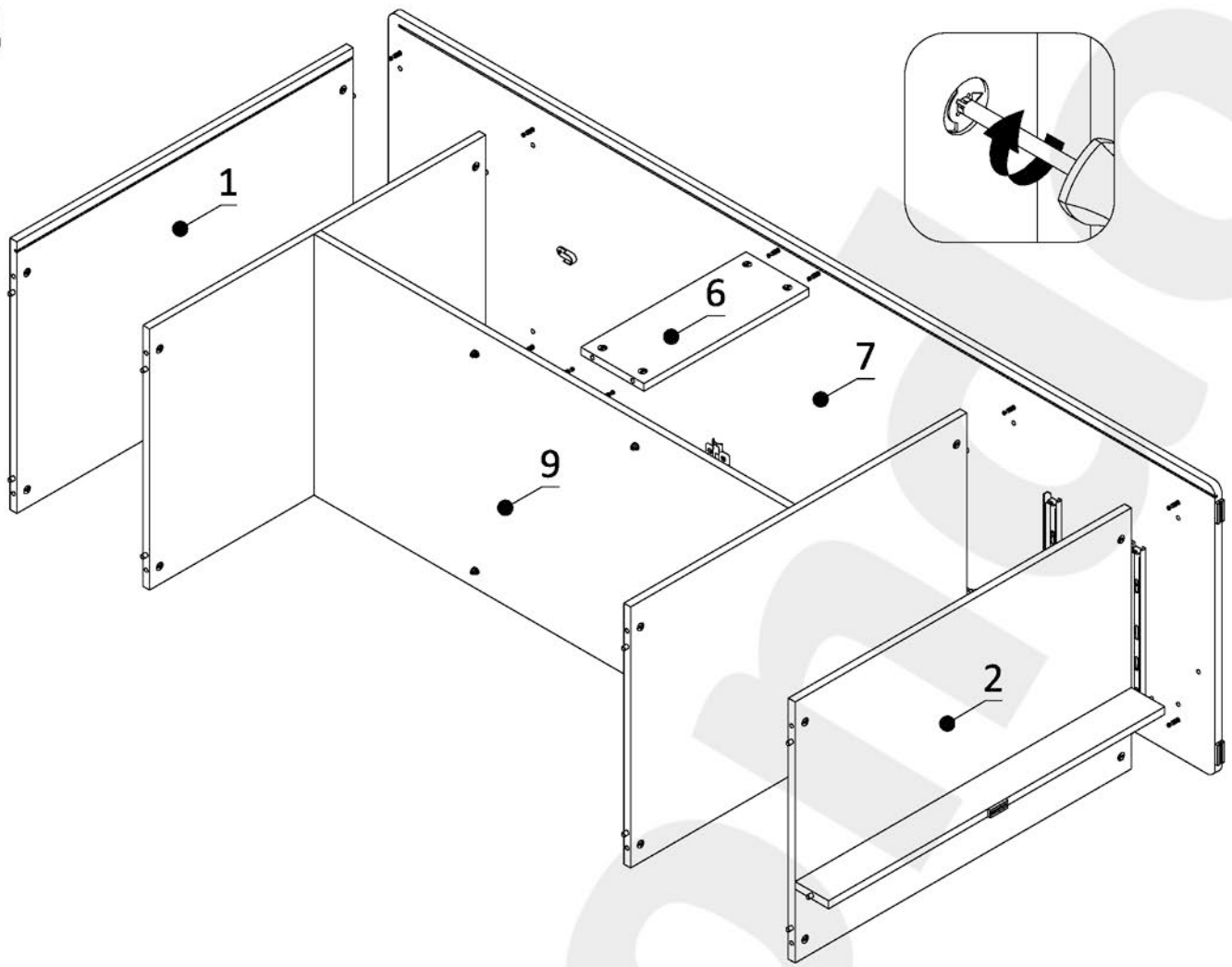
11



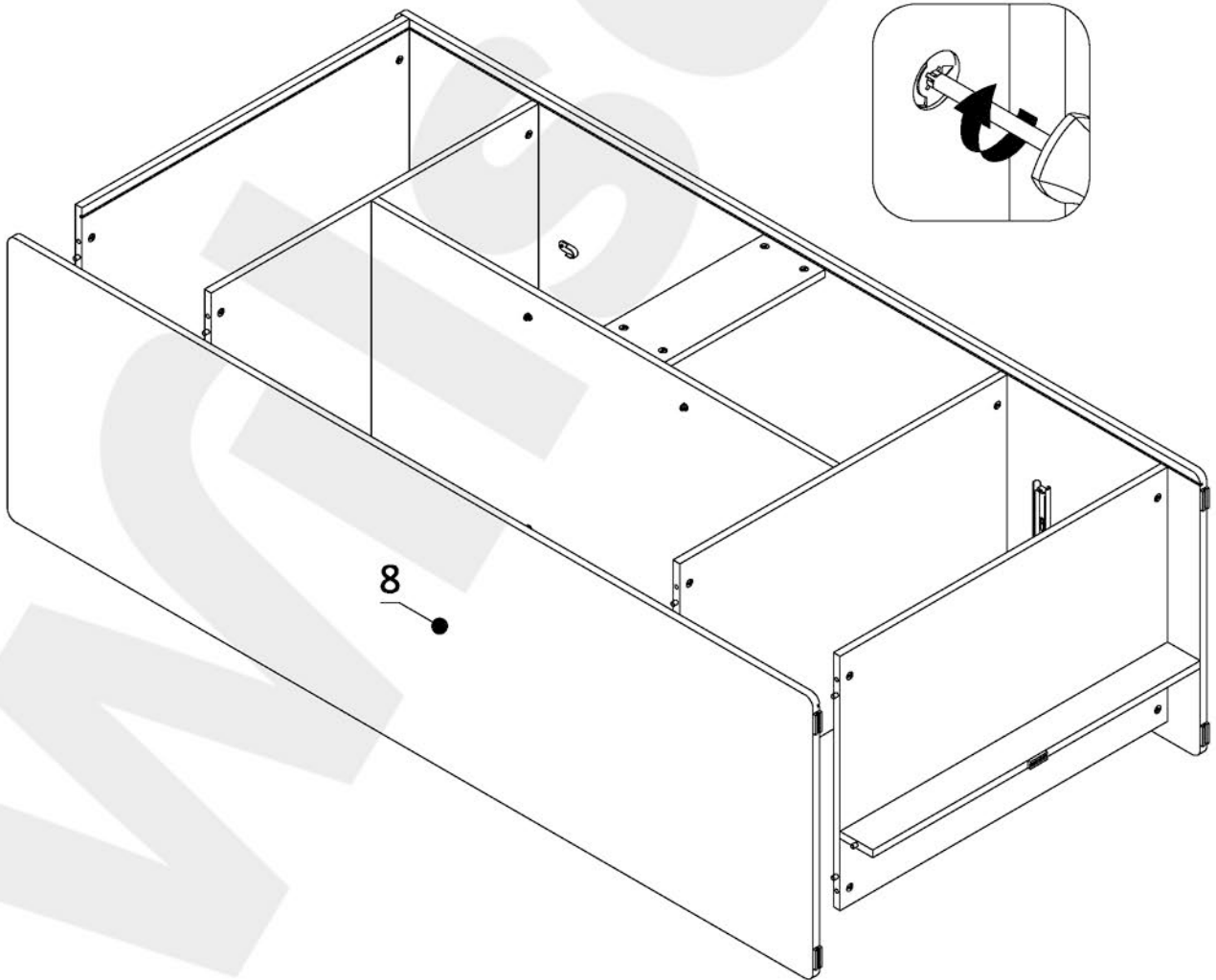
12



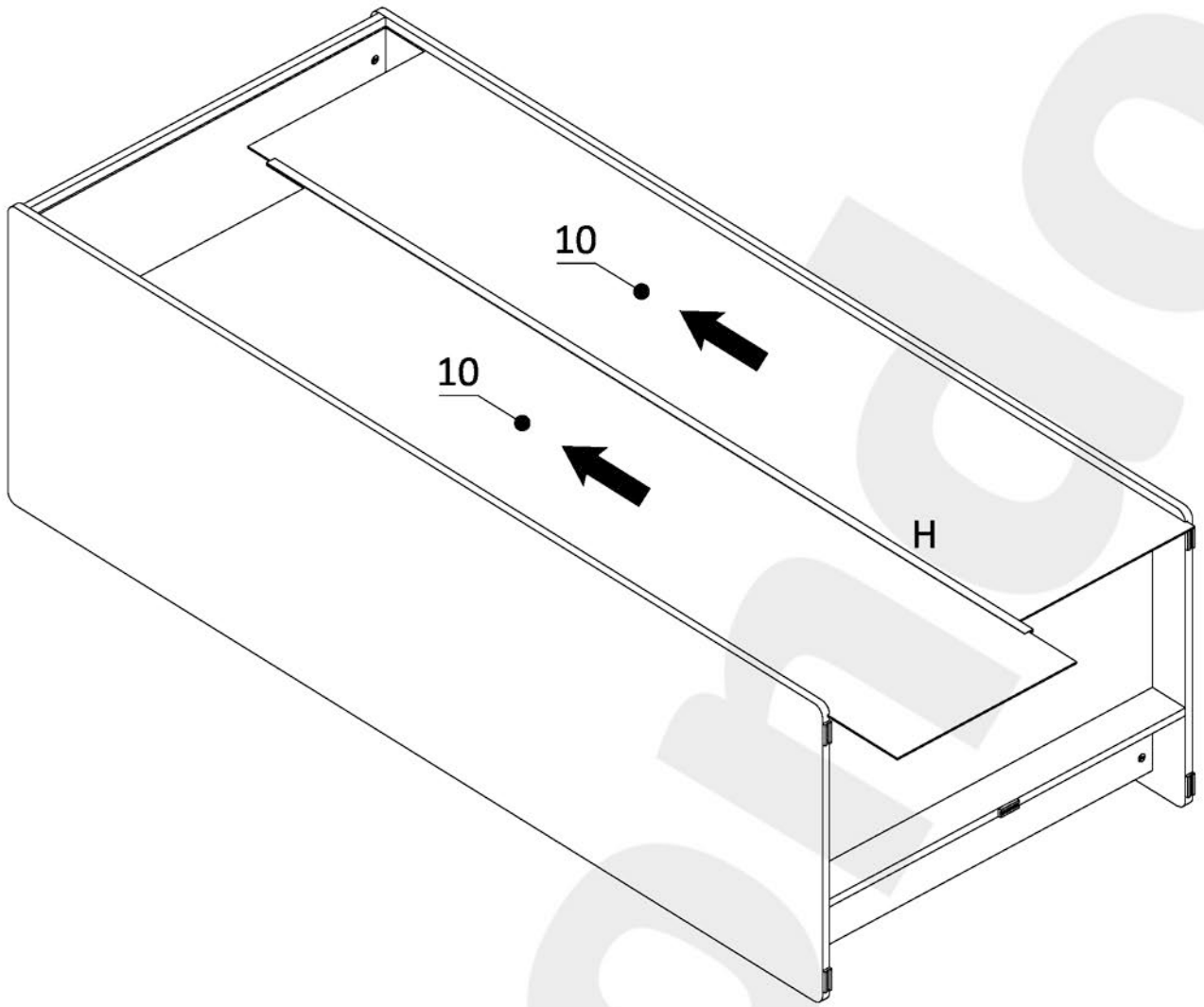
13



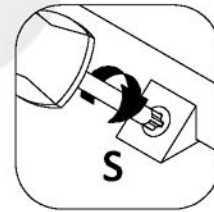
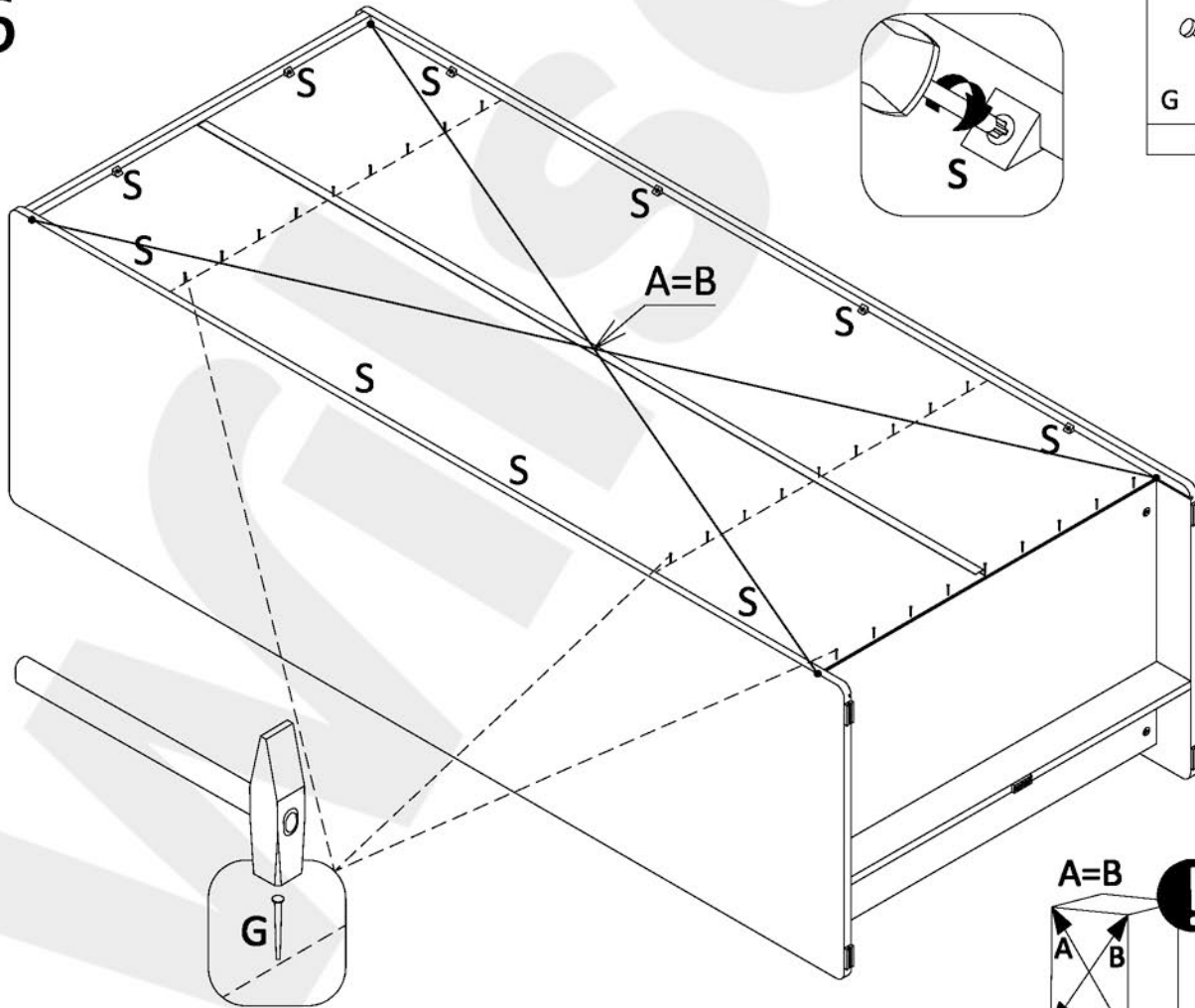
14





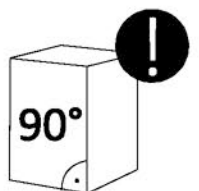
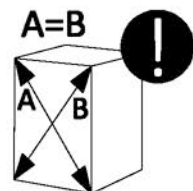
15





16

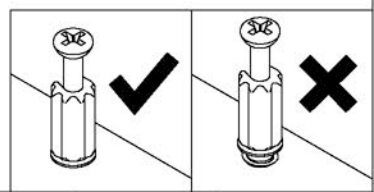
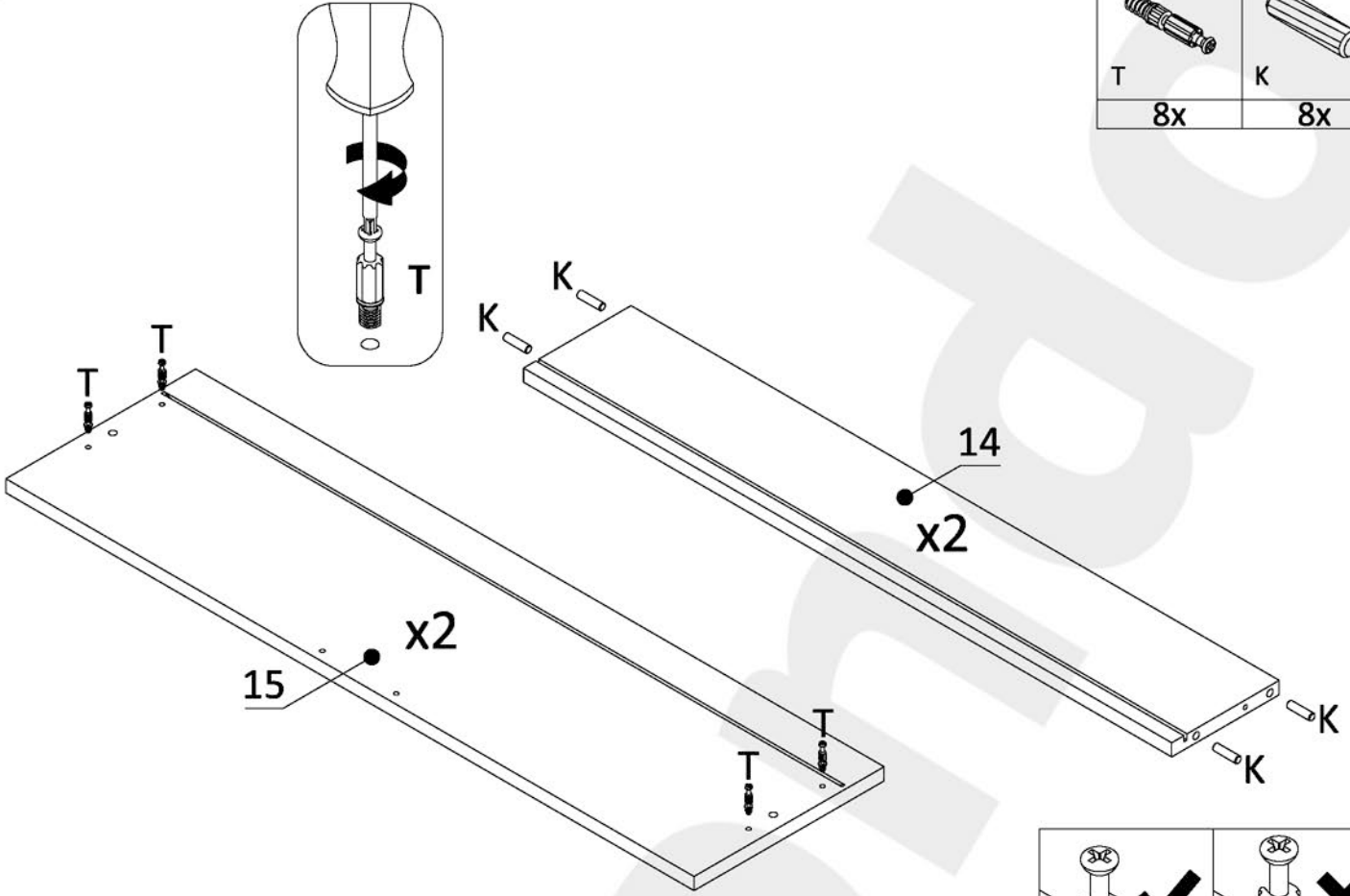


 G 27x	 S 10x
---	---



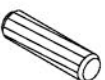


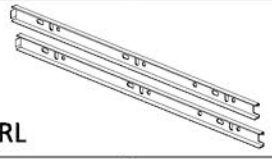
17

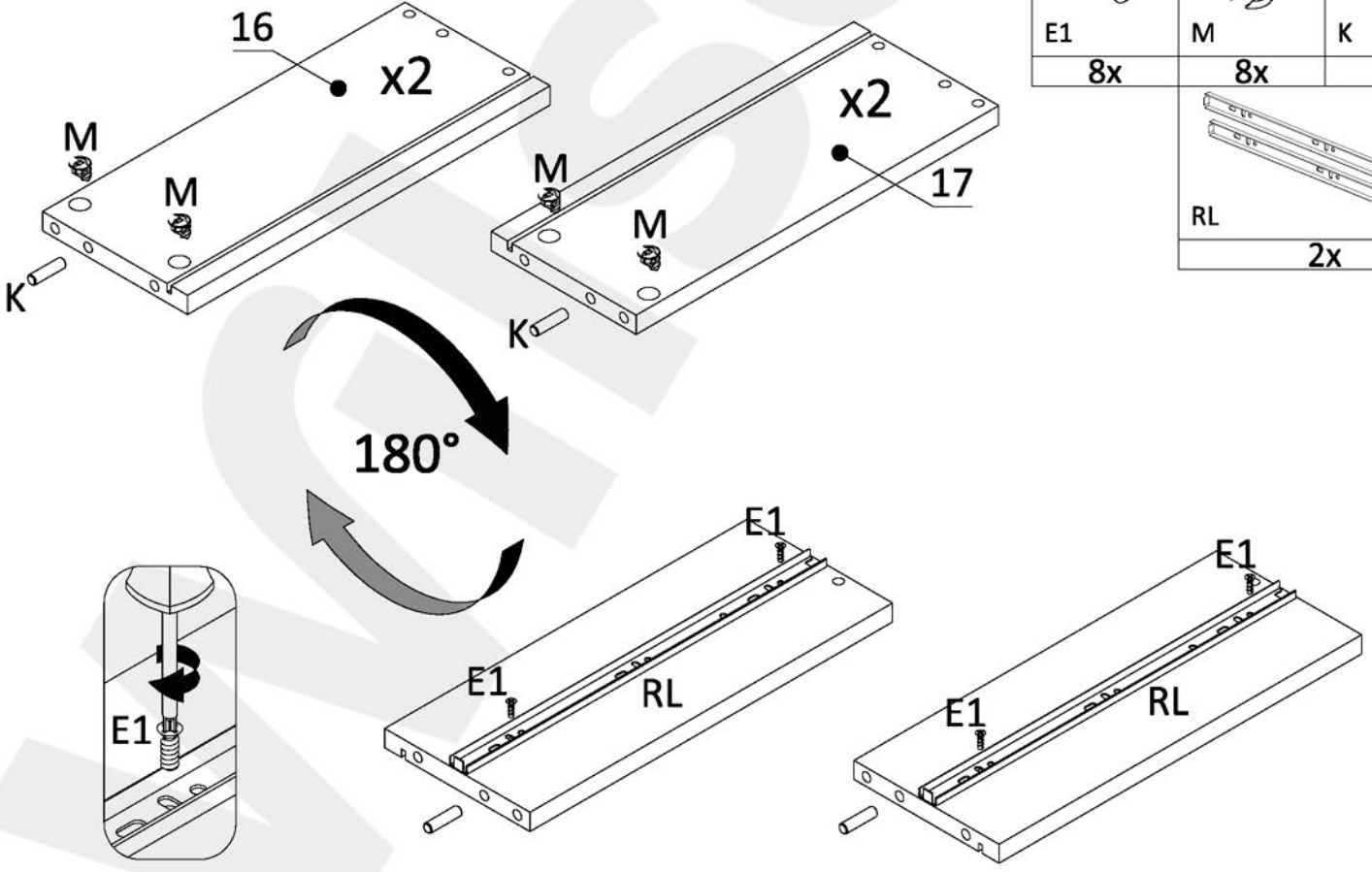
	
T	K
8x	8x





18

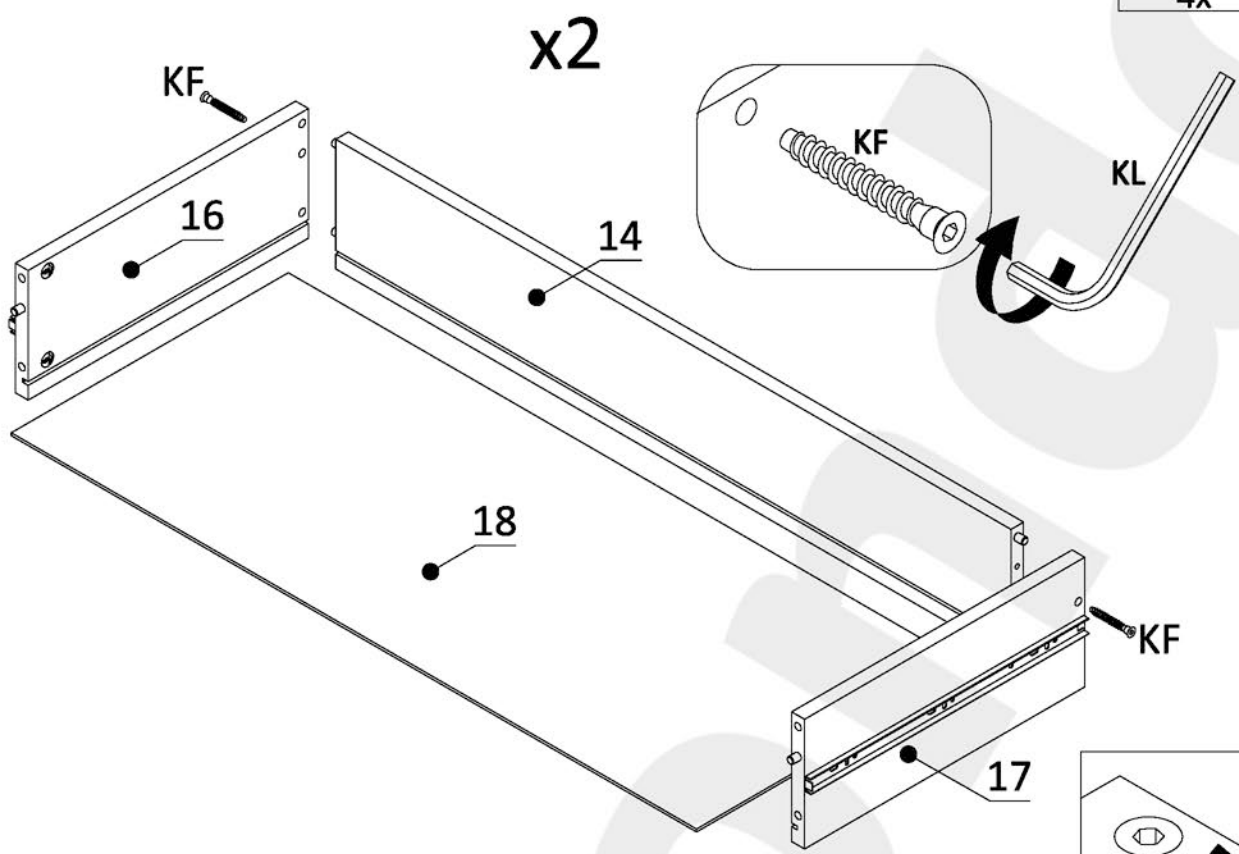
		
E1	M	K
8x	8x	4x


RL
2x

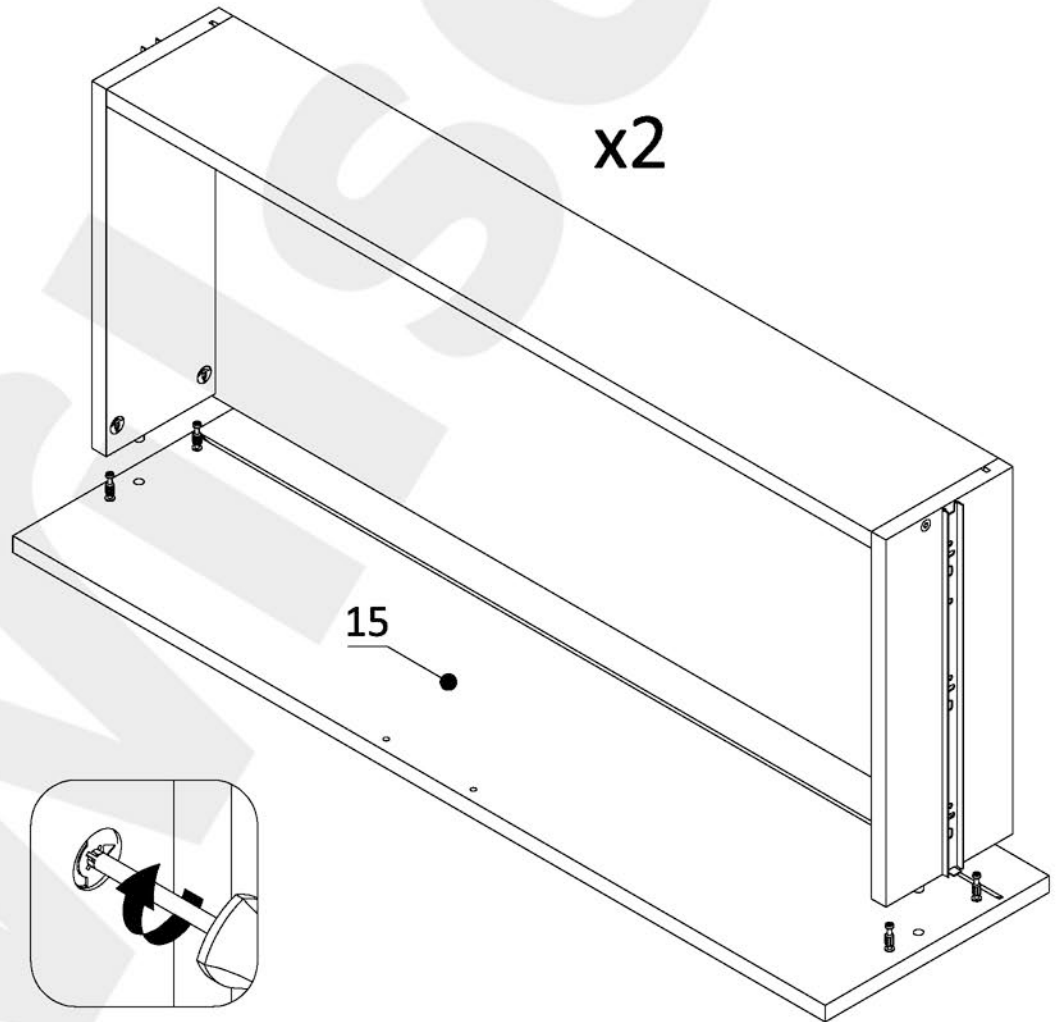


19

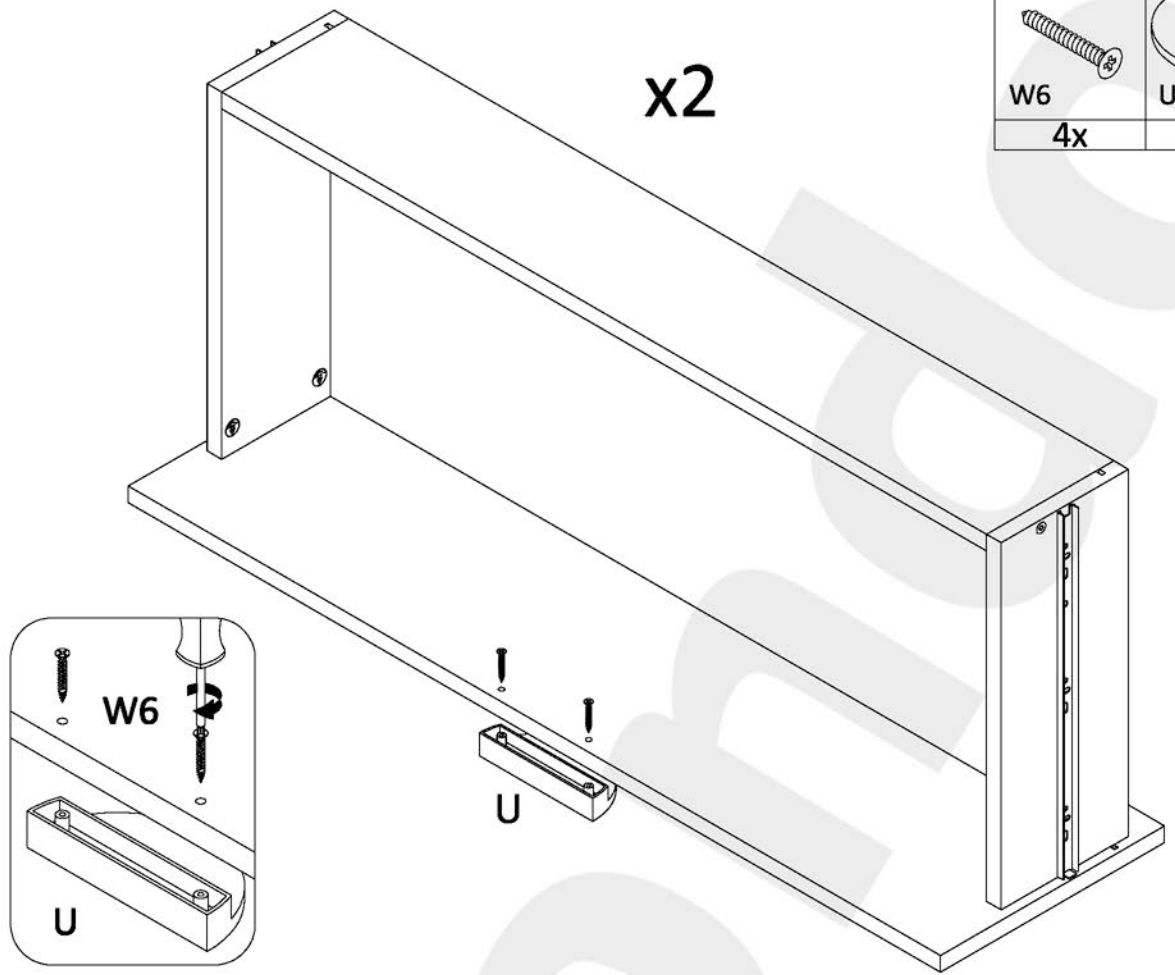
	
KF	KL
4x	1x



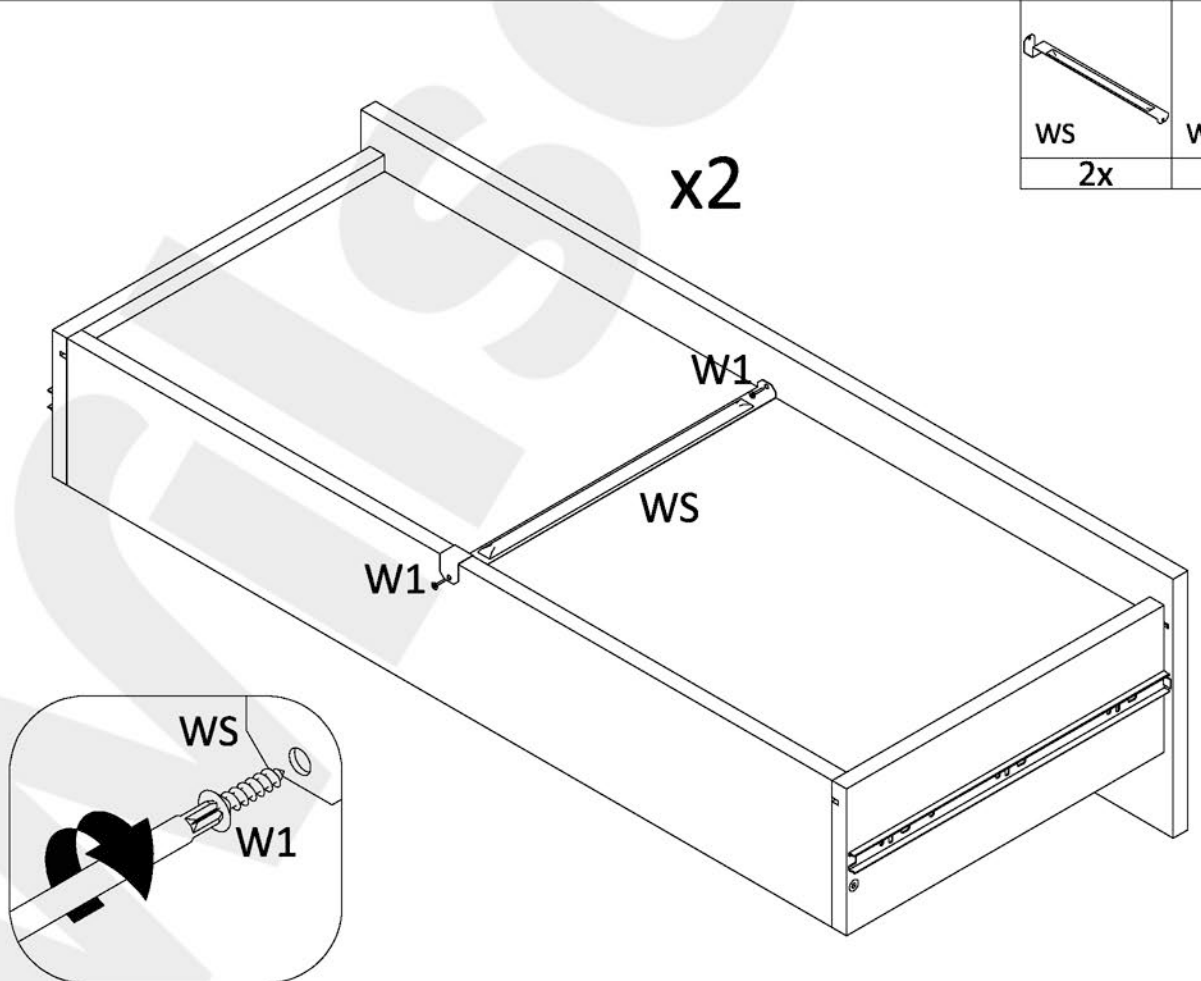
20



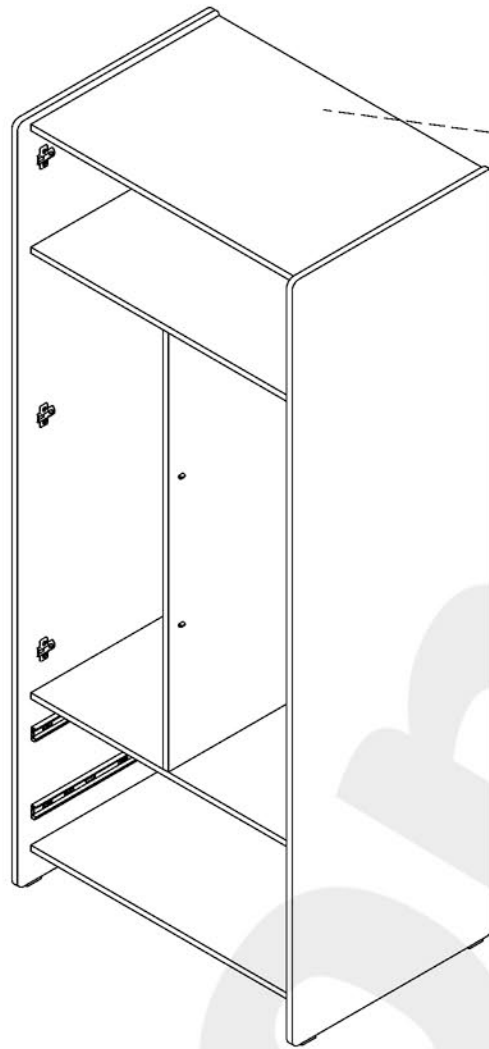
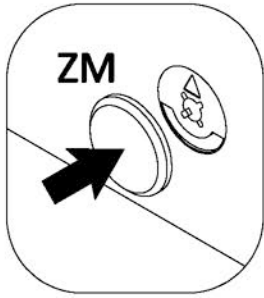
21



22



23



1x
PS

1

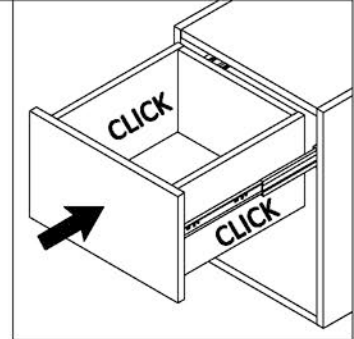
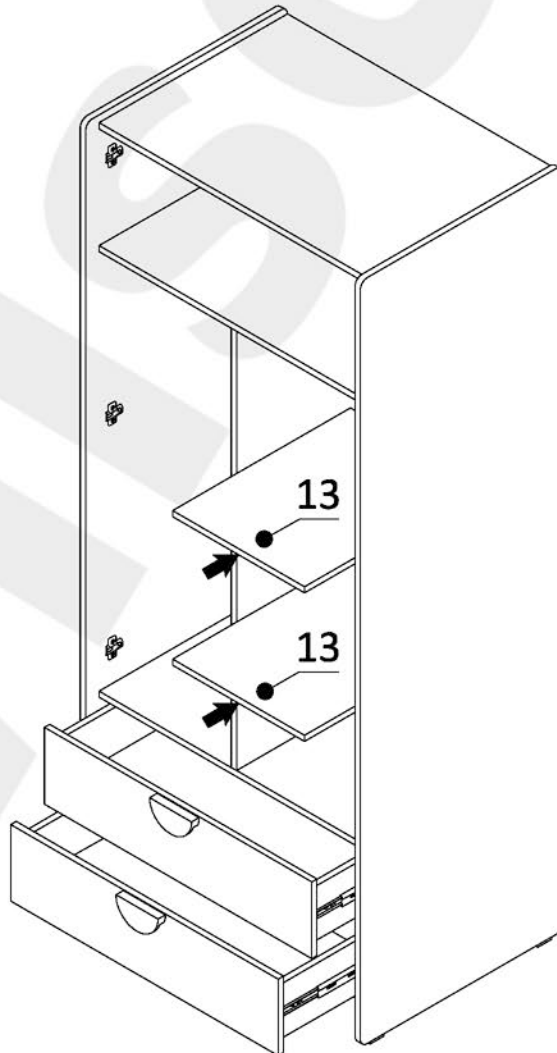
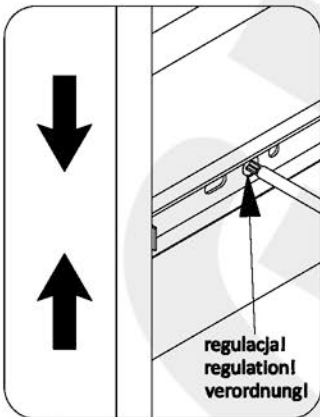
2

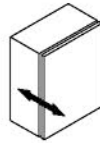
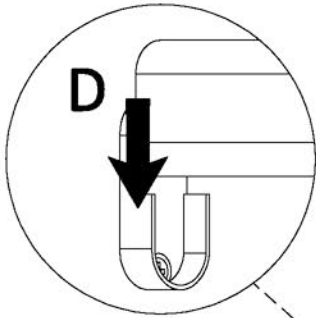
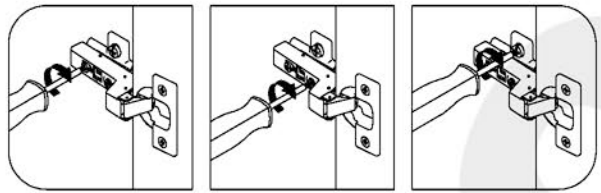
3

PS

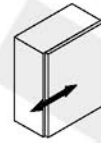
4

24

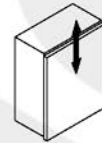




±2mm



±2mm



±2mm

