
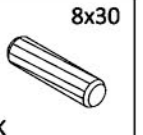


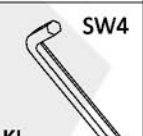
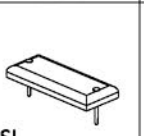
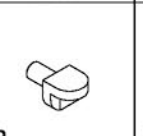
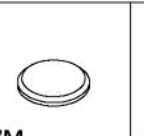
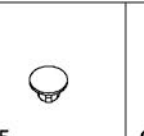
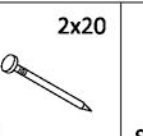
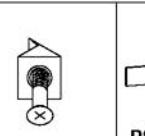
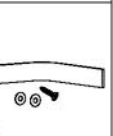
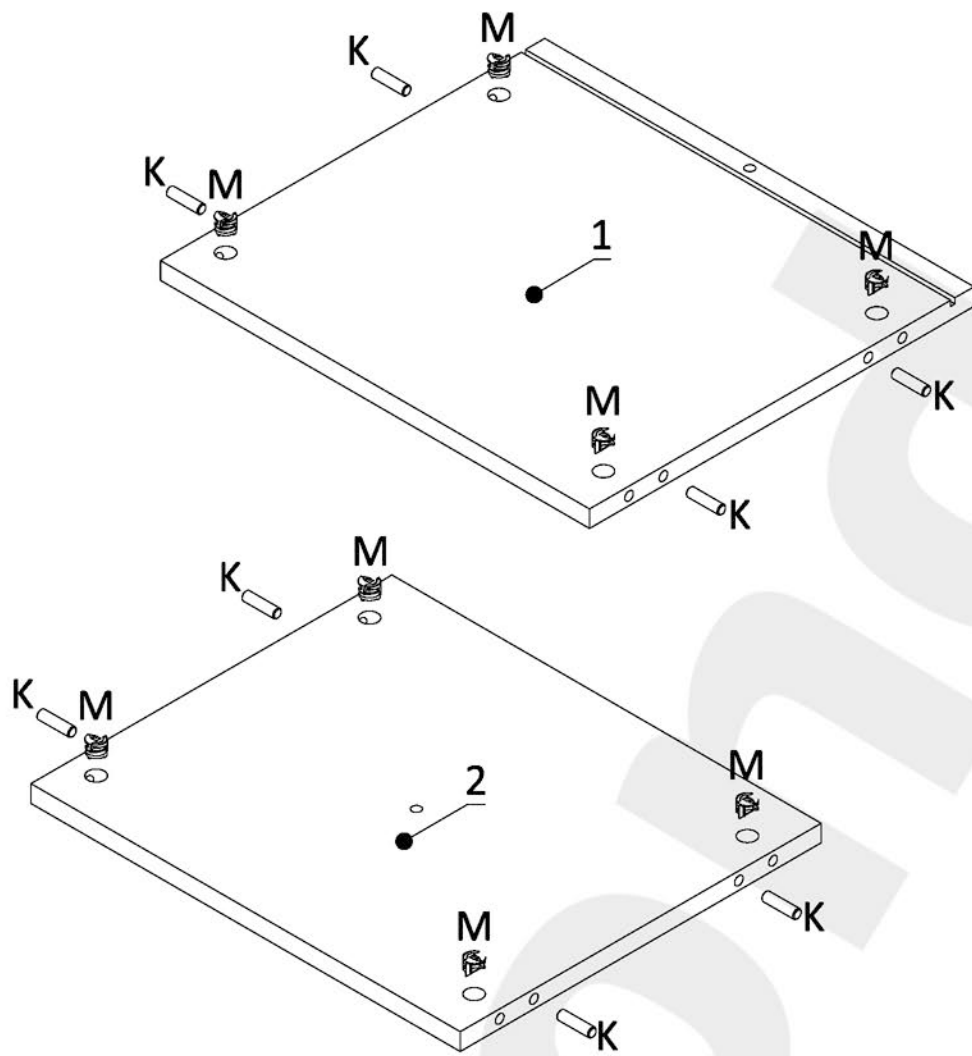


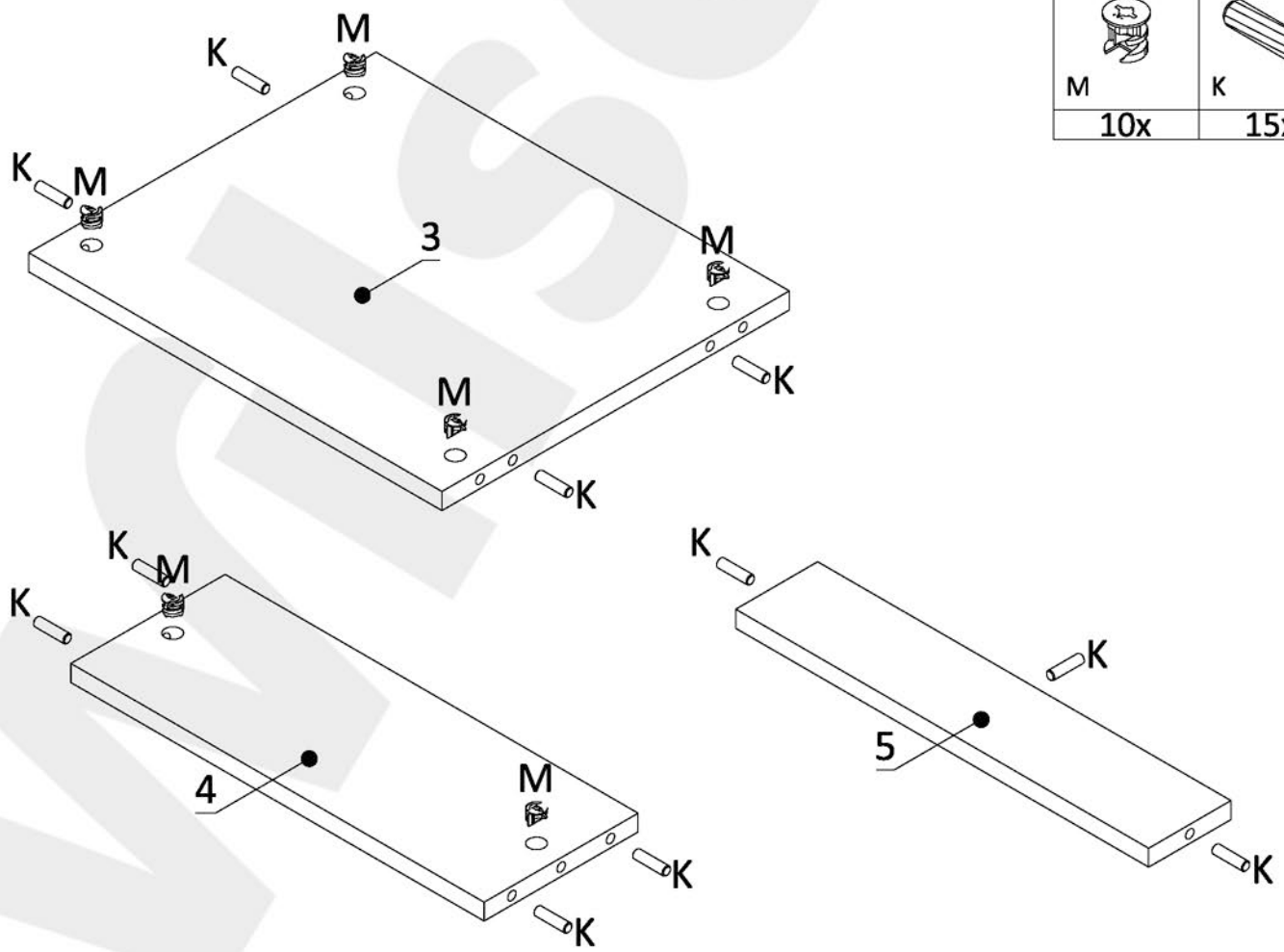
 L20,3	 15/12	 8x30					
Z2	PZ	T	M	K					
2x	2x	18x	18x	23x					
 4x16	 7x50	 SW4					 2x20		
W4	KF	KL	SL	P	ZM	Z5	G	S	PS
4x	1x	1x	4x	8x	18x	4x	15x	9x	1x



1






 M	 K
8x	8x

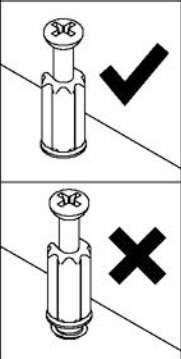
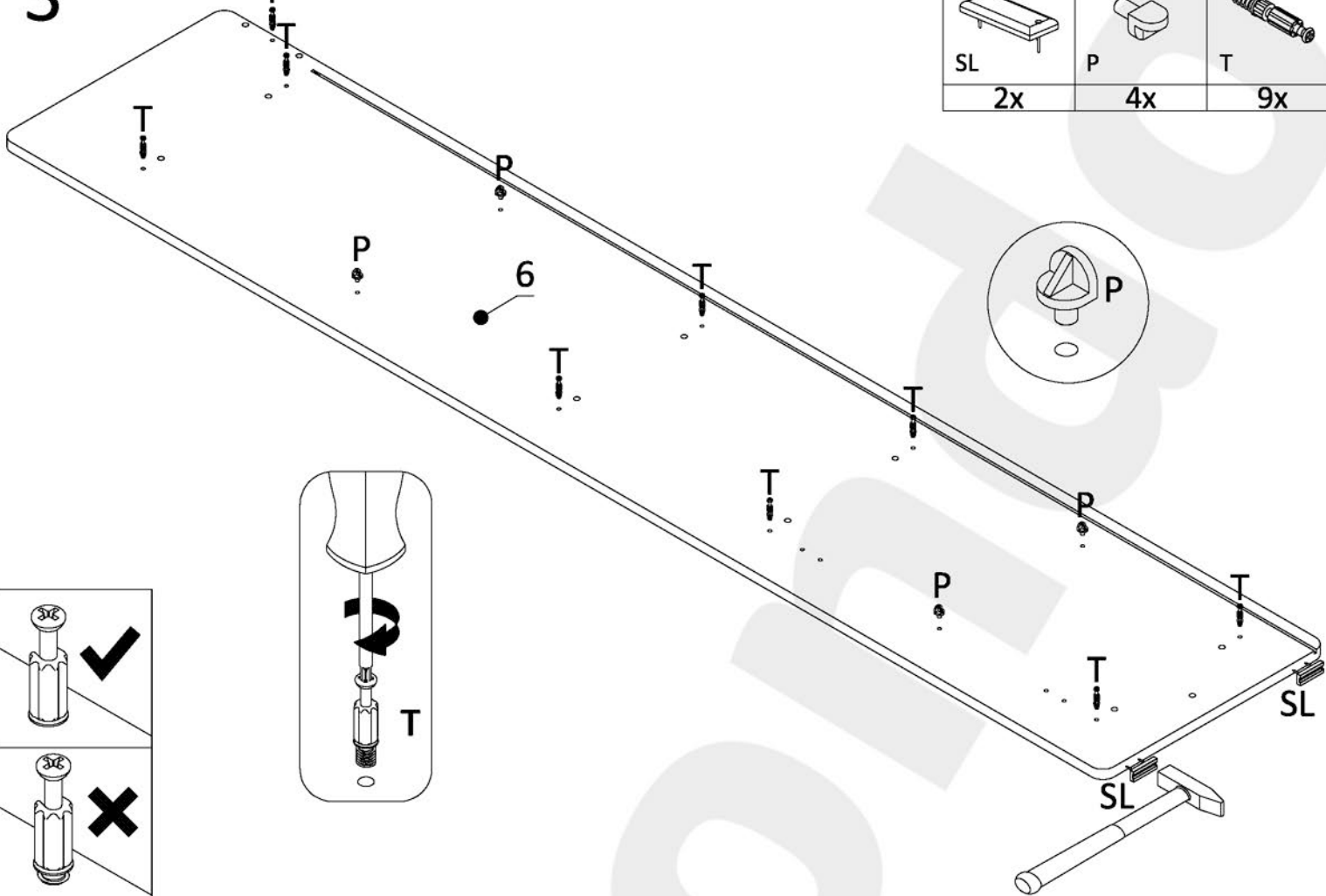
2






 M	 K
10x	15x

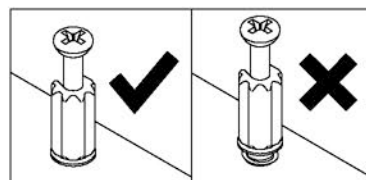
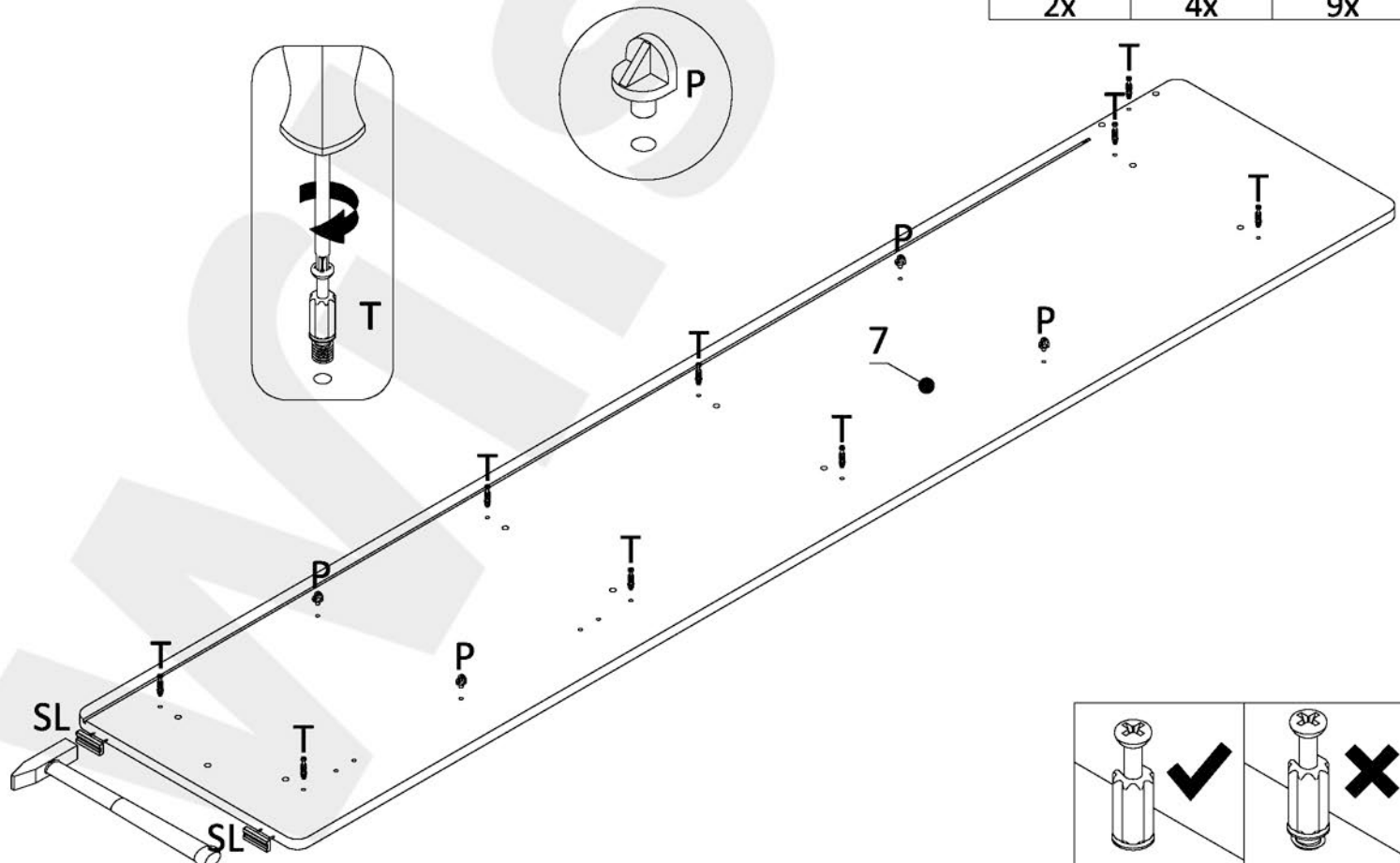
3

		
SL	P	T
2x	4x	9x


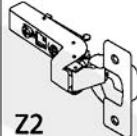


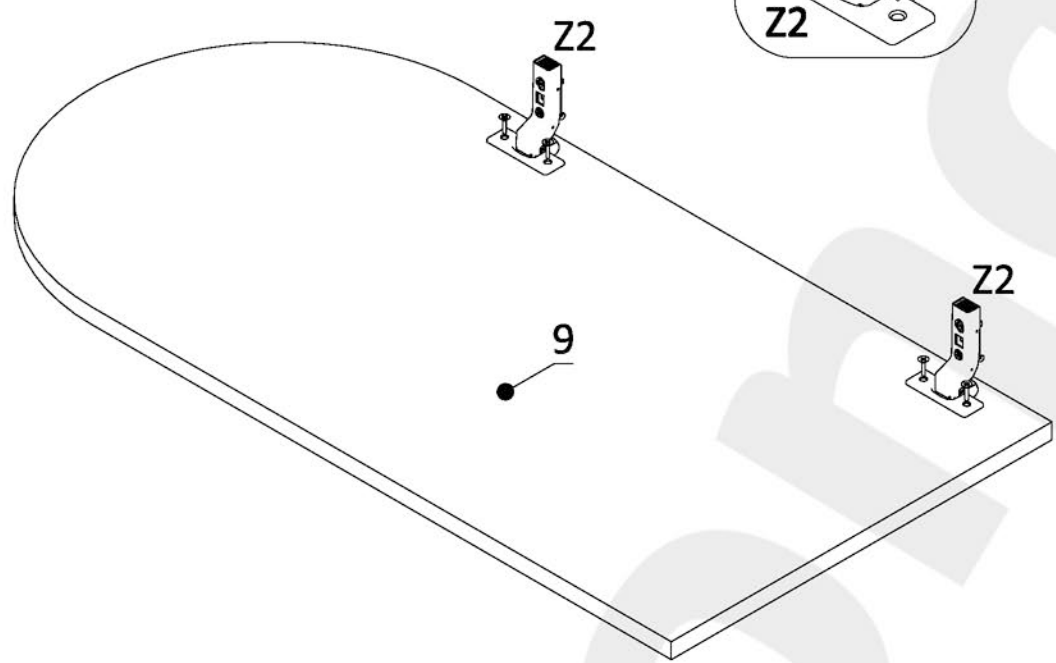
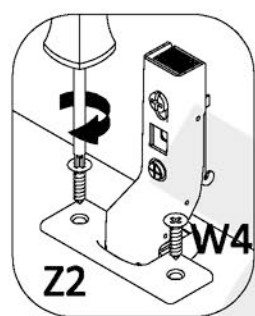
4

		
SL	P	T
2x	4x	9x


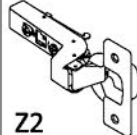


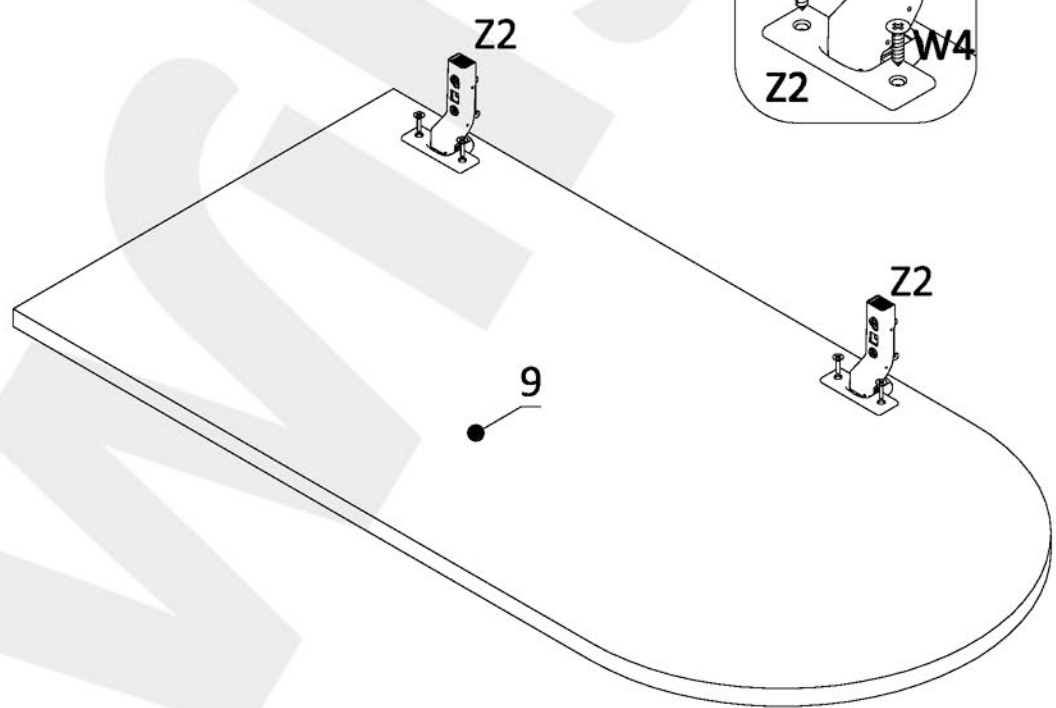
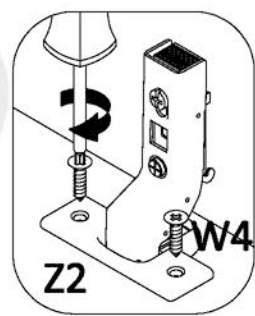
6 Option L

	
W4 4x	Z2 2x

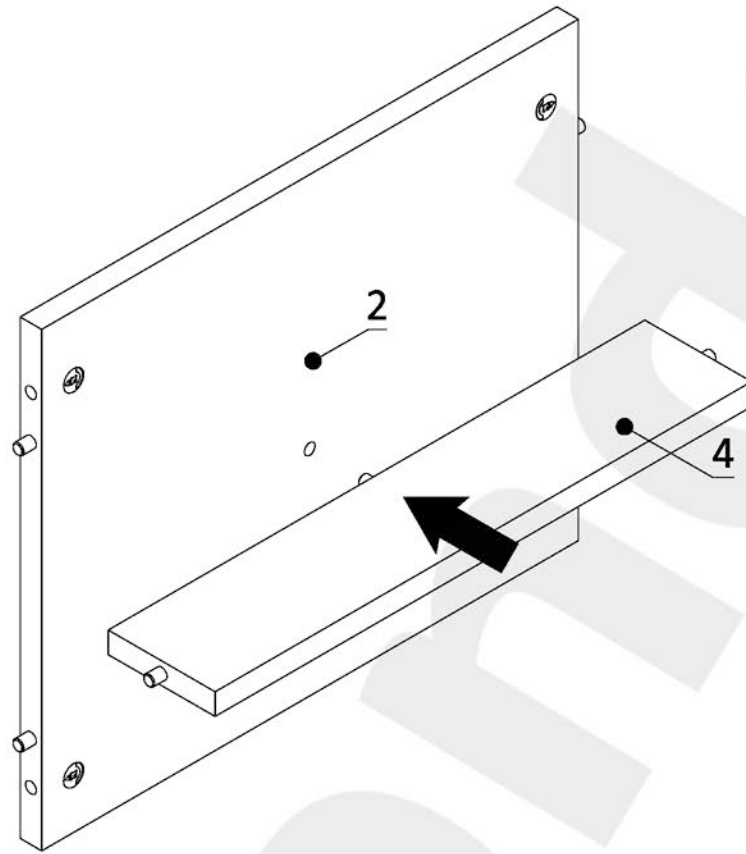


6 Option R

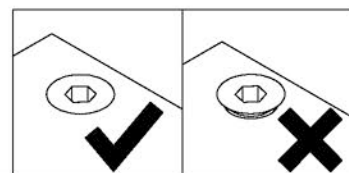
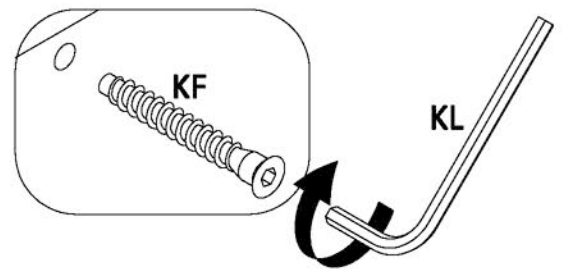
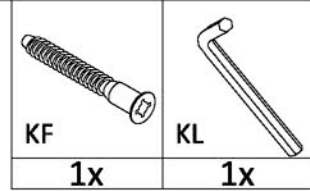
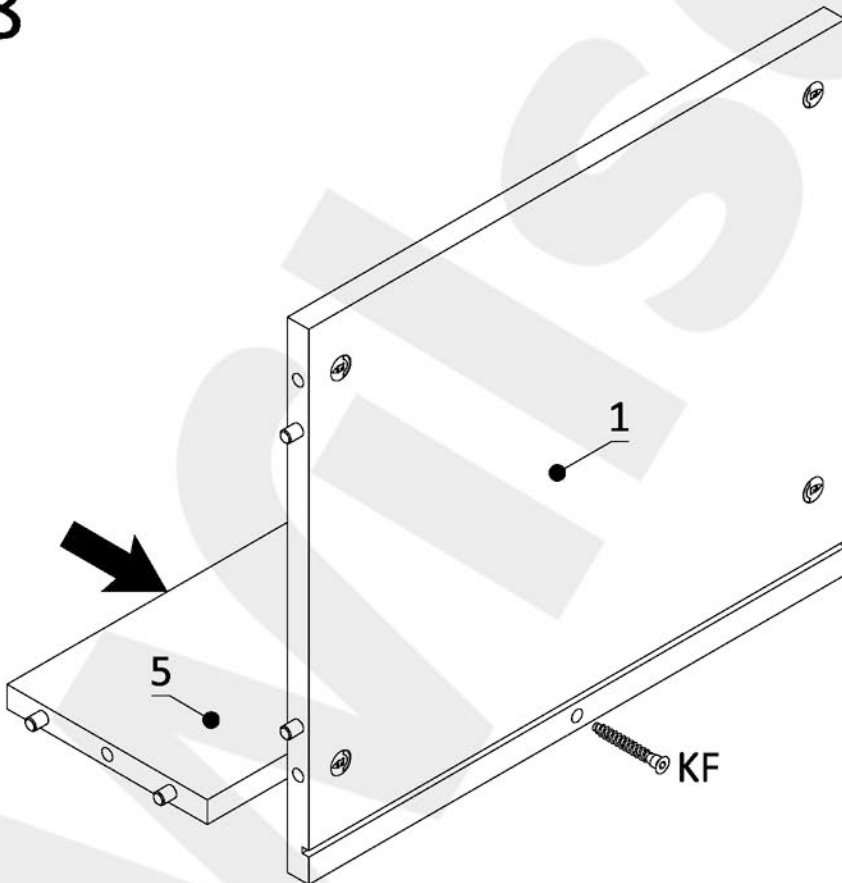
	
W4 4x	Z2 2x



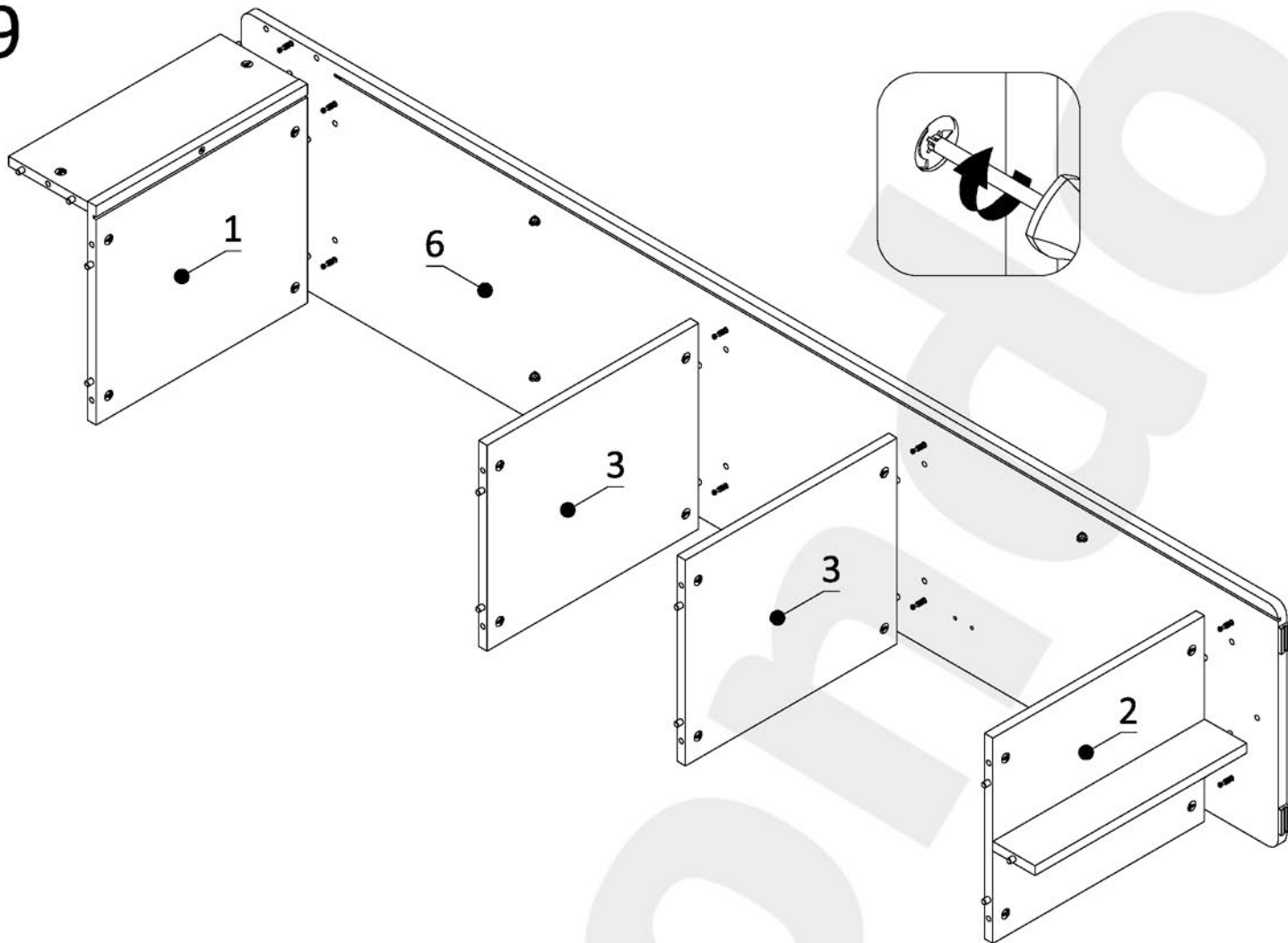
7



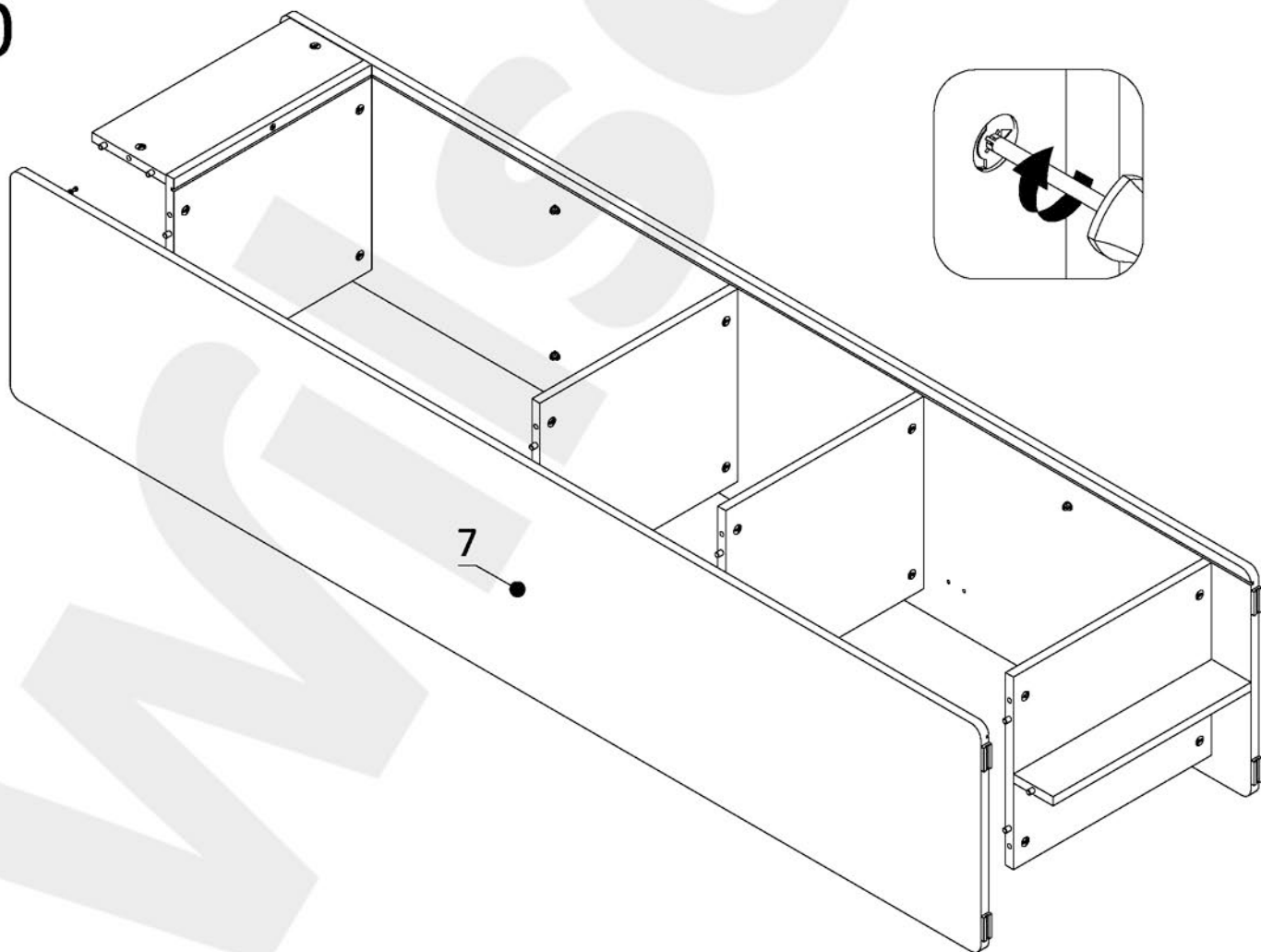
8



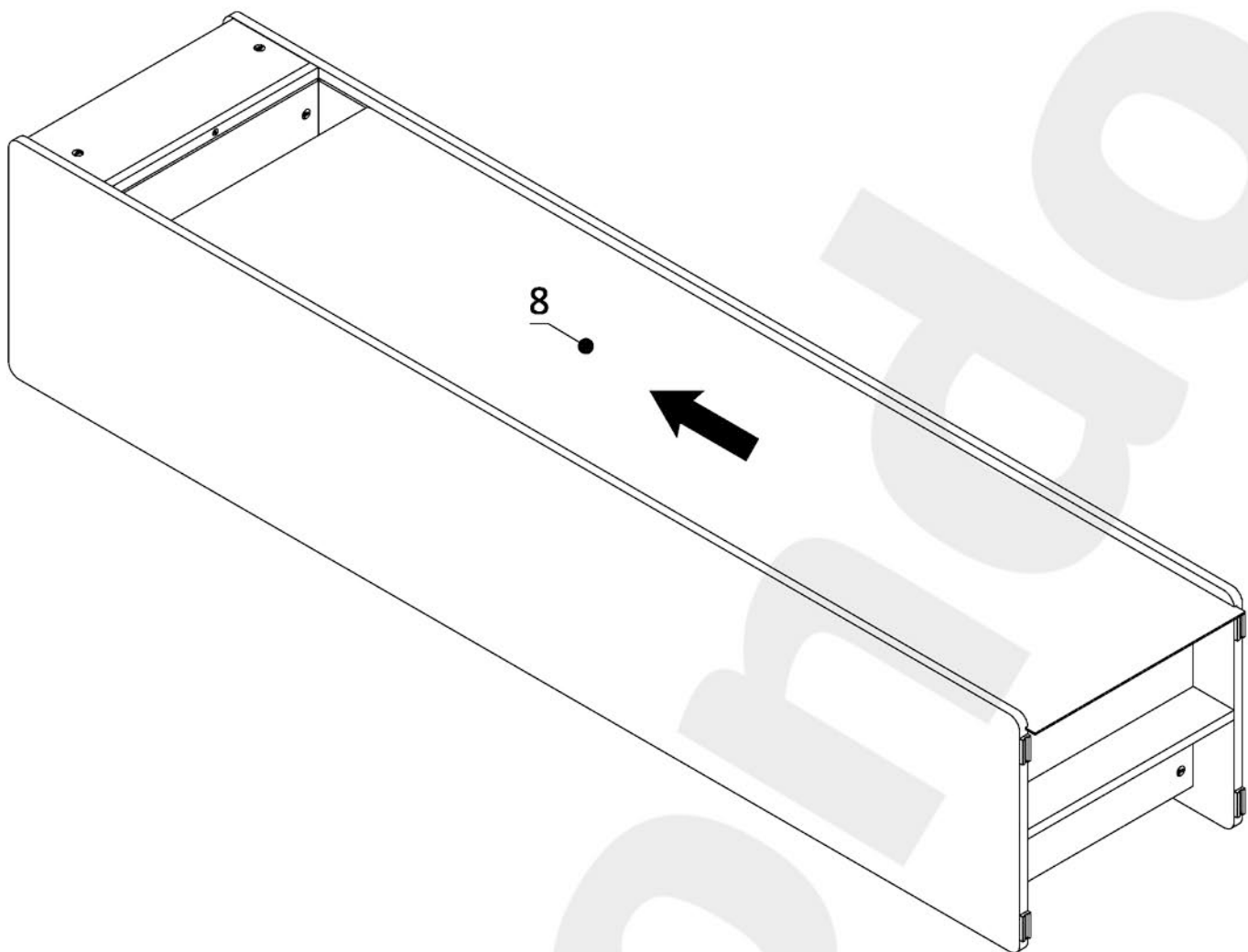
9



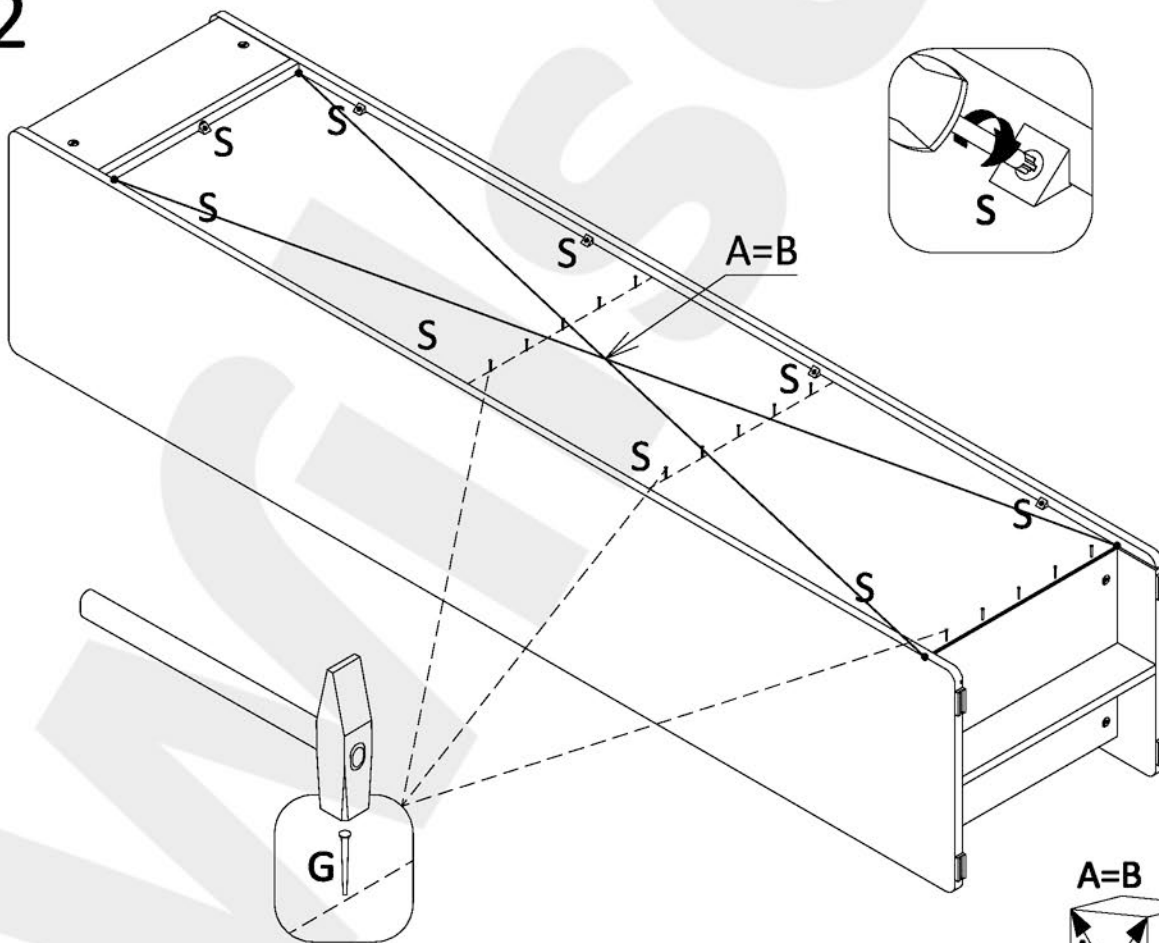
10





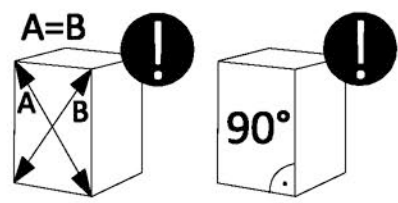
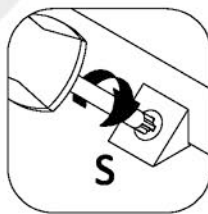
11



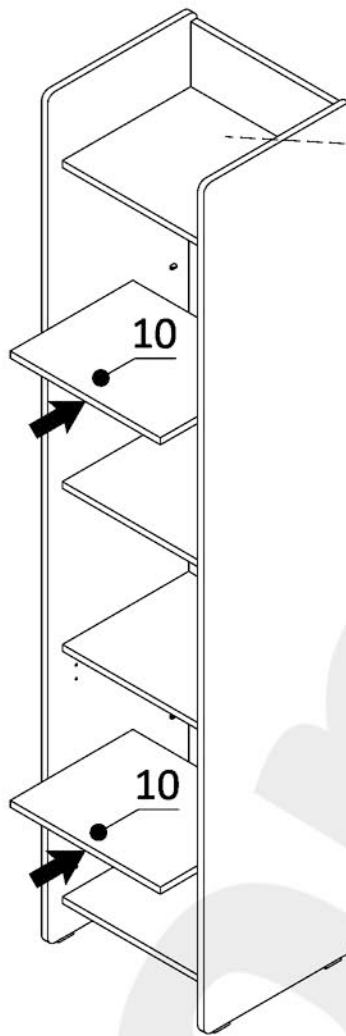
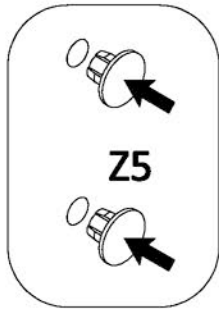
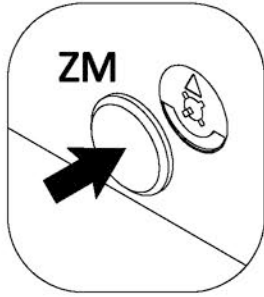
12



 G 15x	 S 9x
---	--



13



		1x
1		
2		
3		
4		

14

