



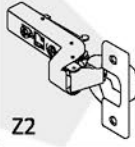









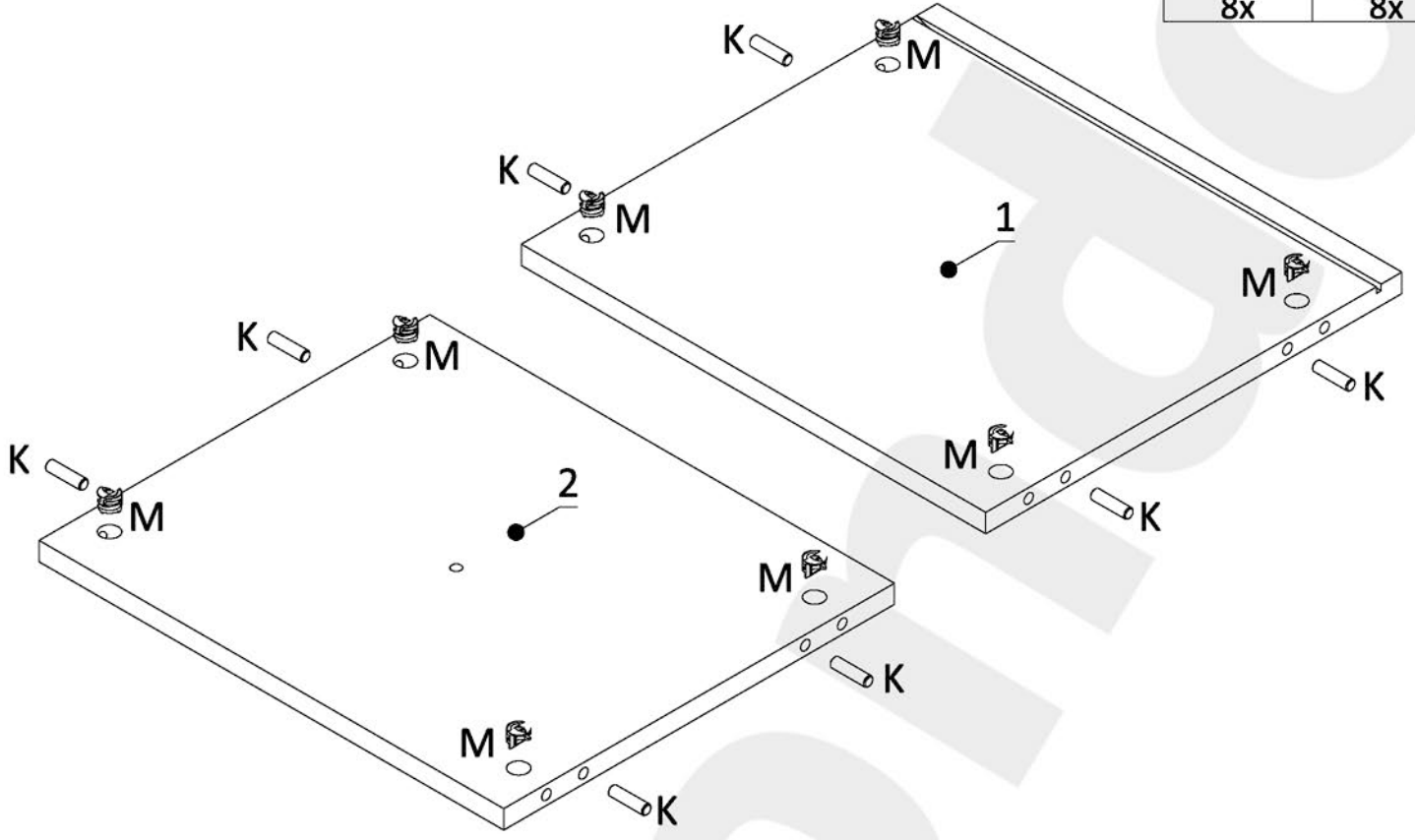


 15/12 M	 L20,3 T	 4x16 W4							
16x	16x	8x							
 8x30 K	 PZ	 Z2	 Z5	 P	 ZM	 2x20 G	 S	 SL	 PS
19x	4x	4x	8x	12x	16x	12x	7x	4x	1x

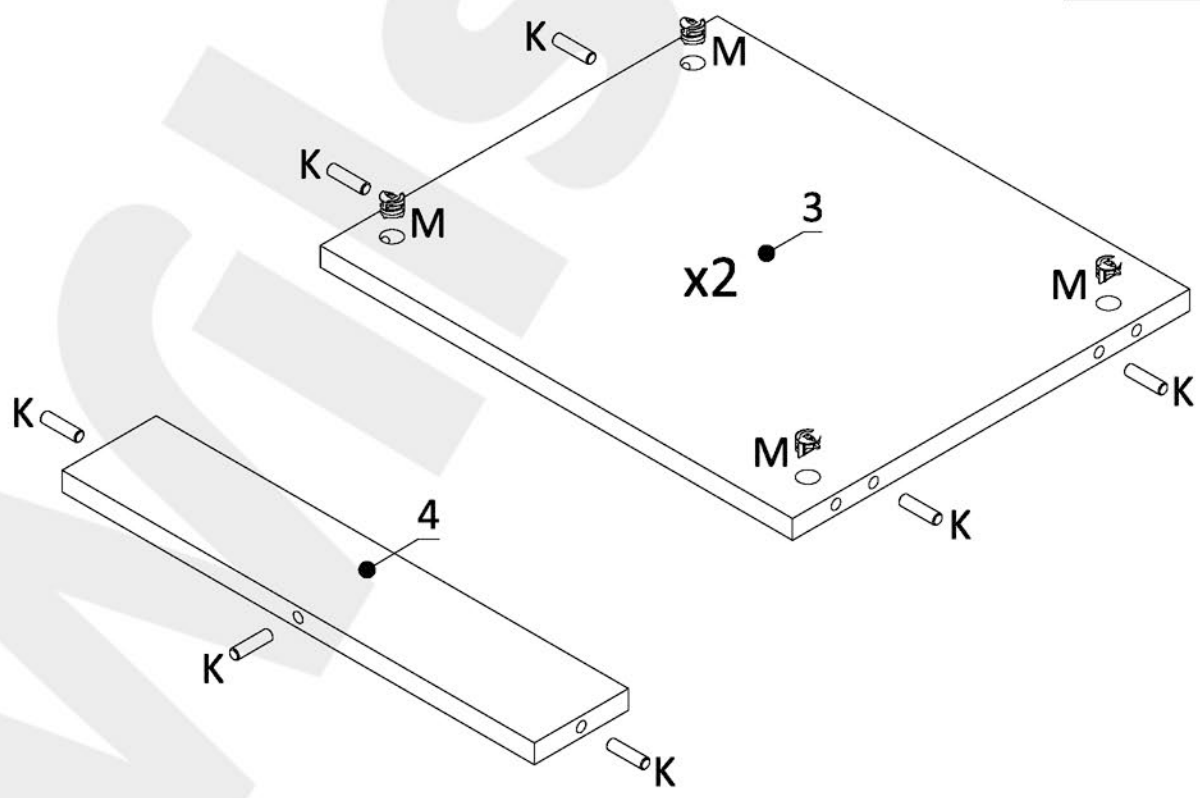
1

	
K	M
8x	8x

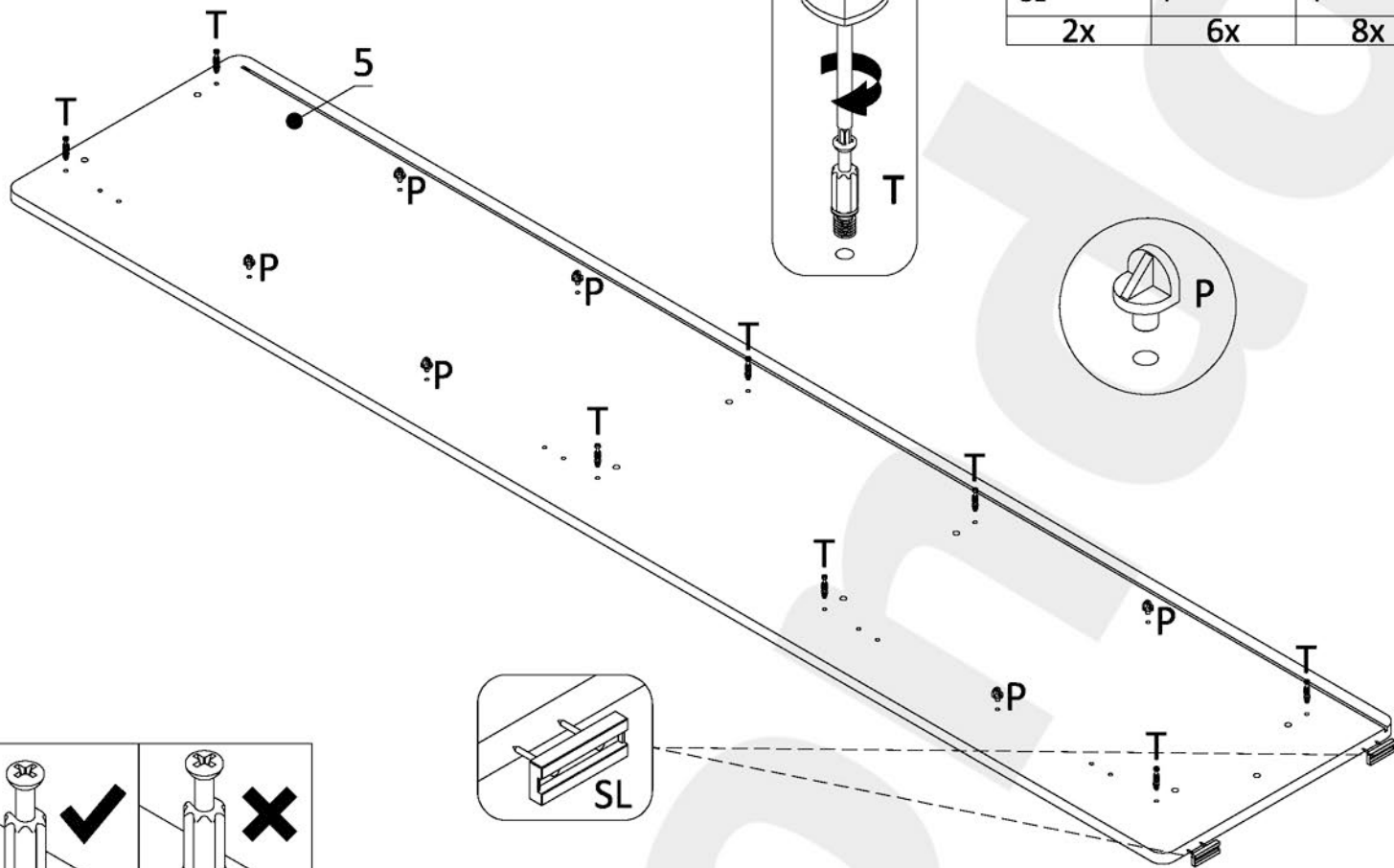


2

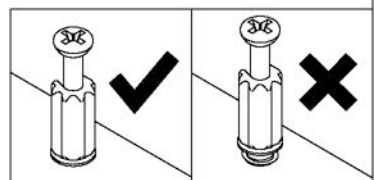
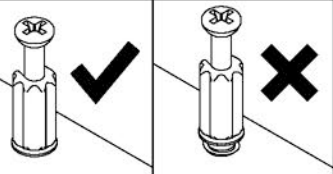
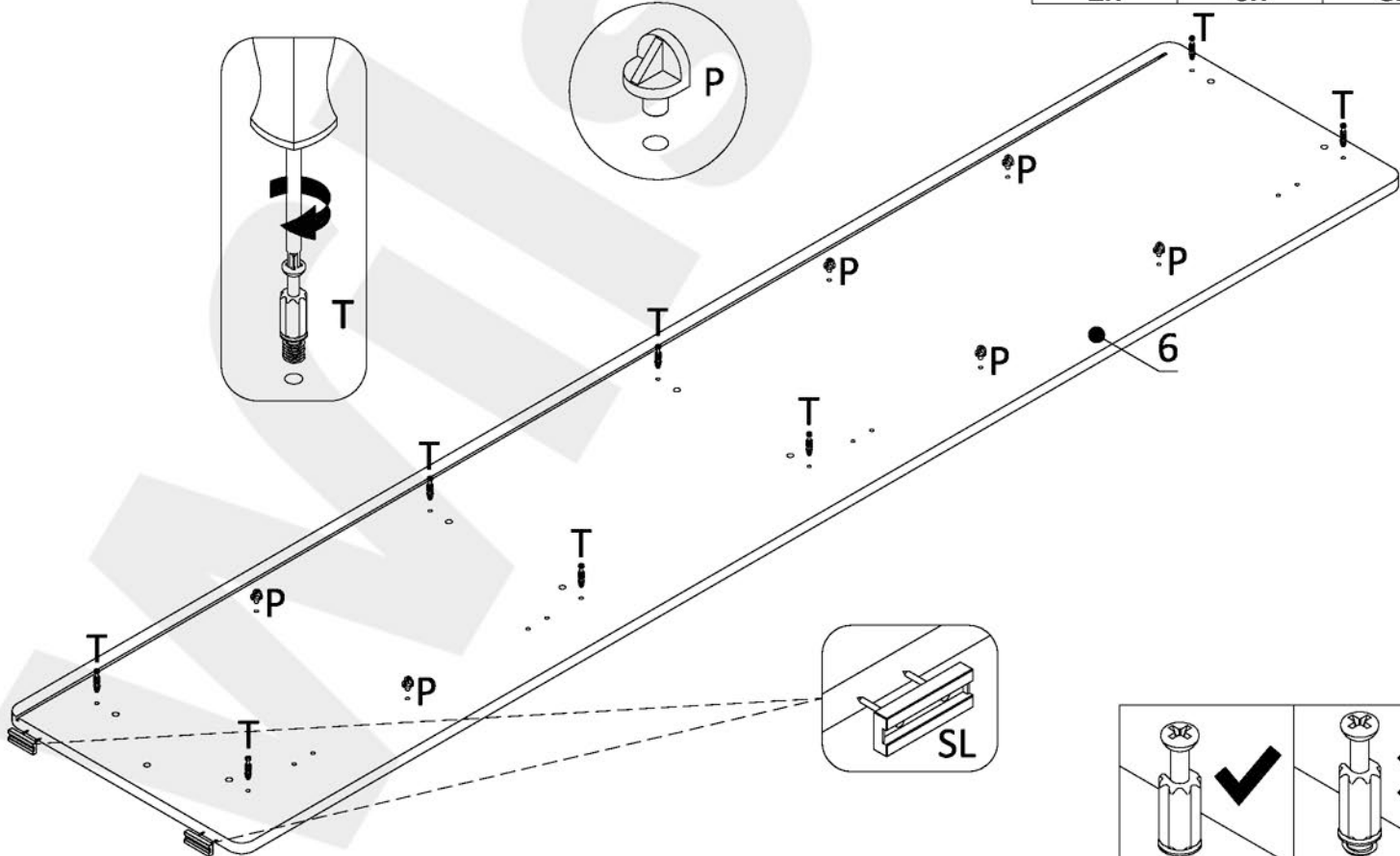
	
K	M
11x	8x



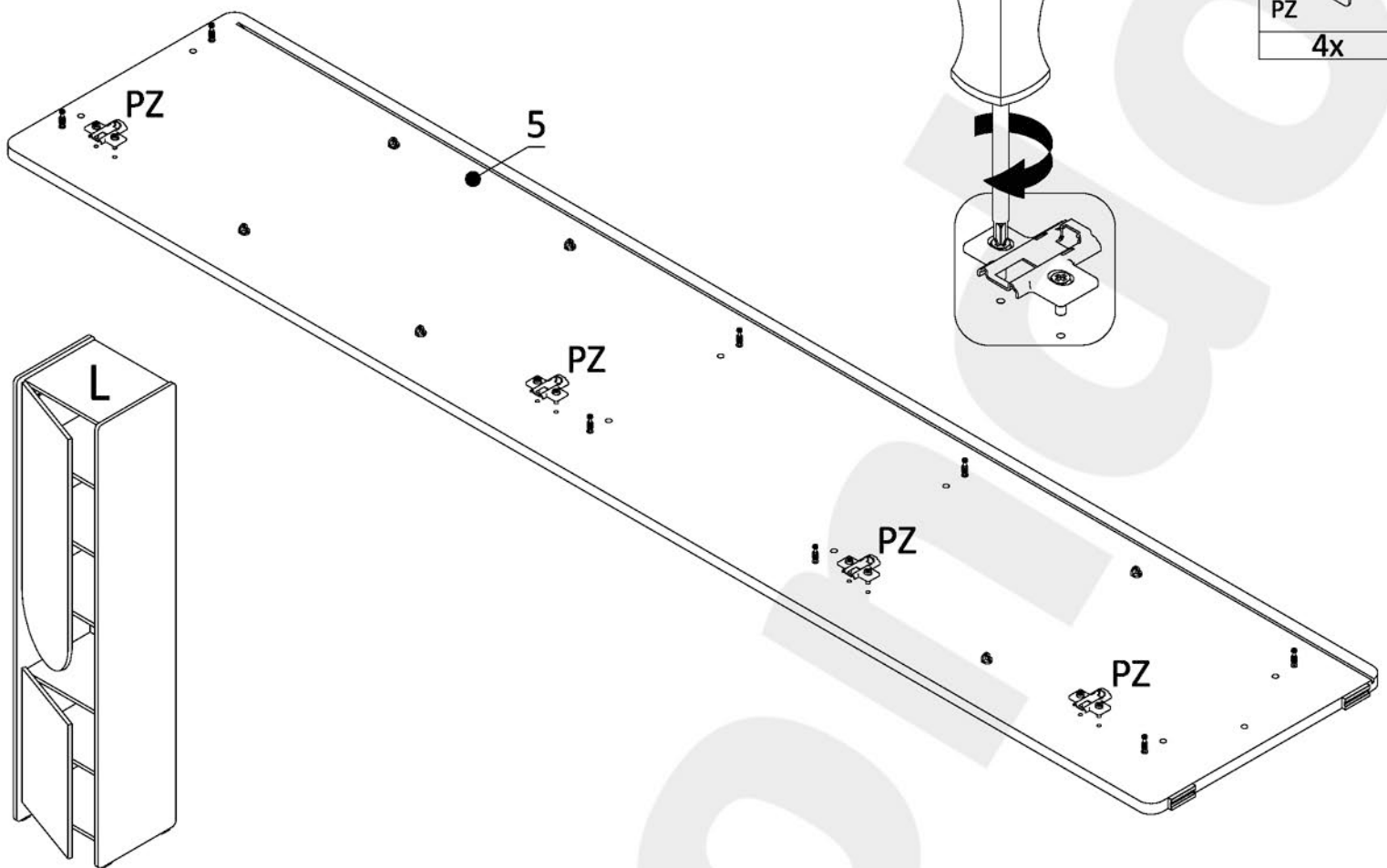
3



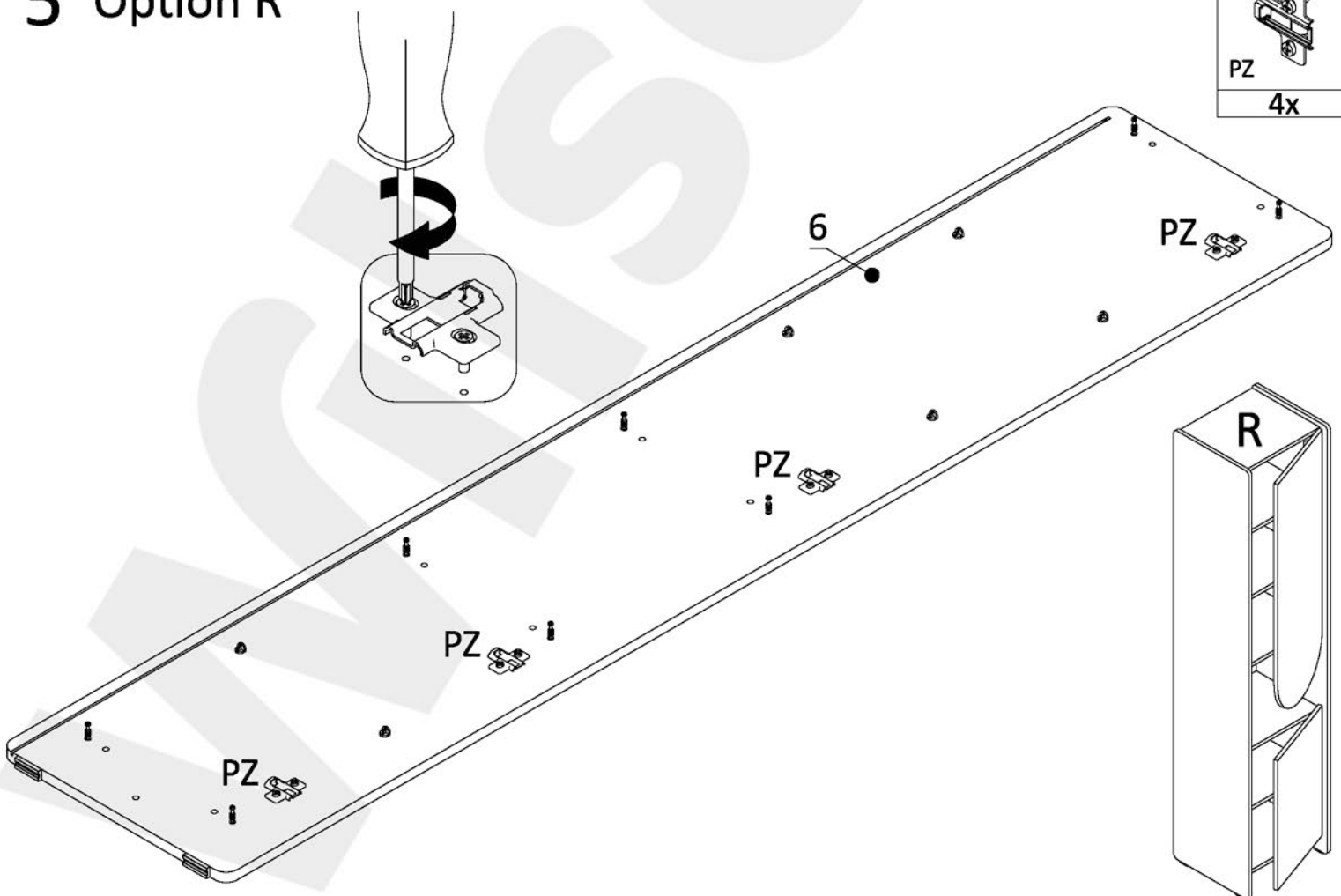
4



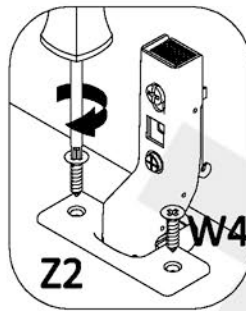
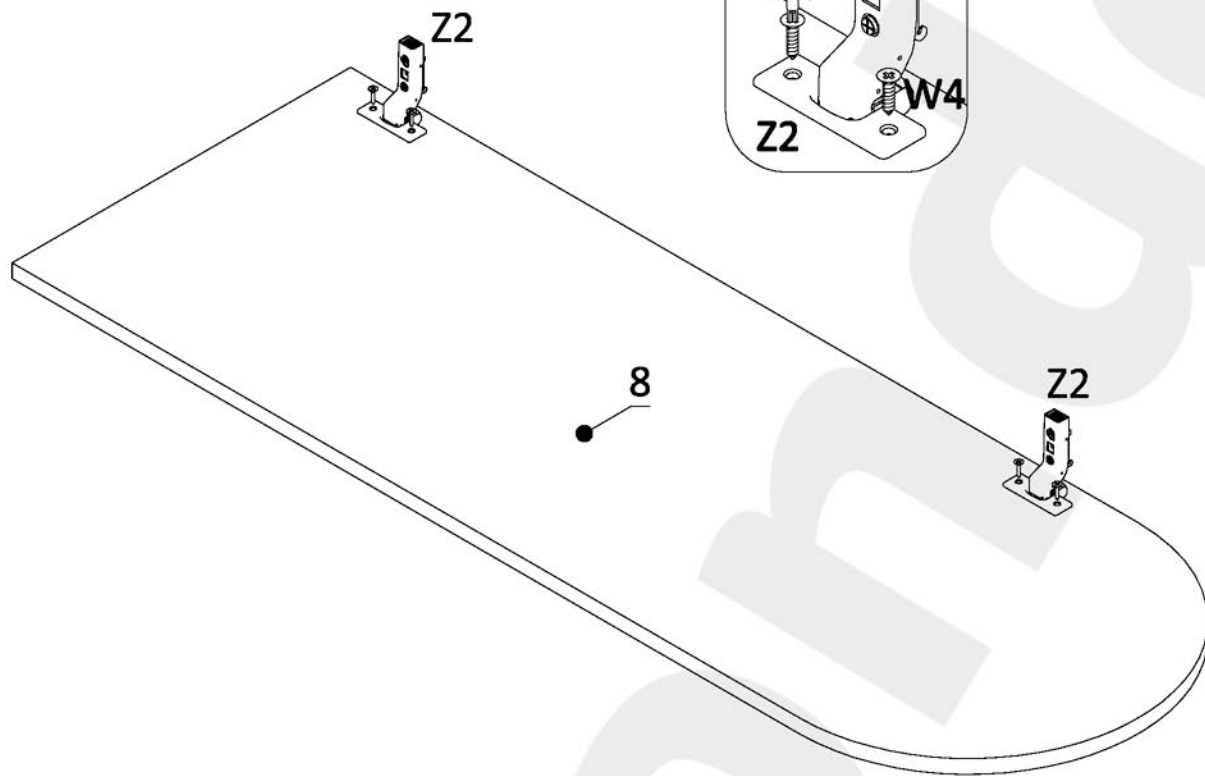
5 Option L

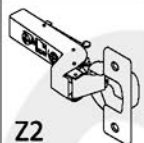



5 Option R

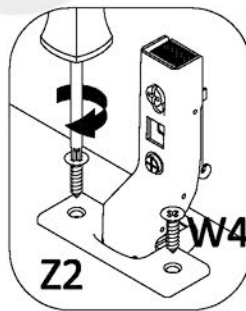
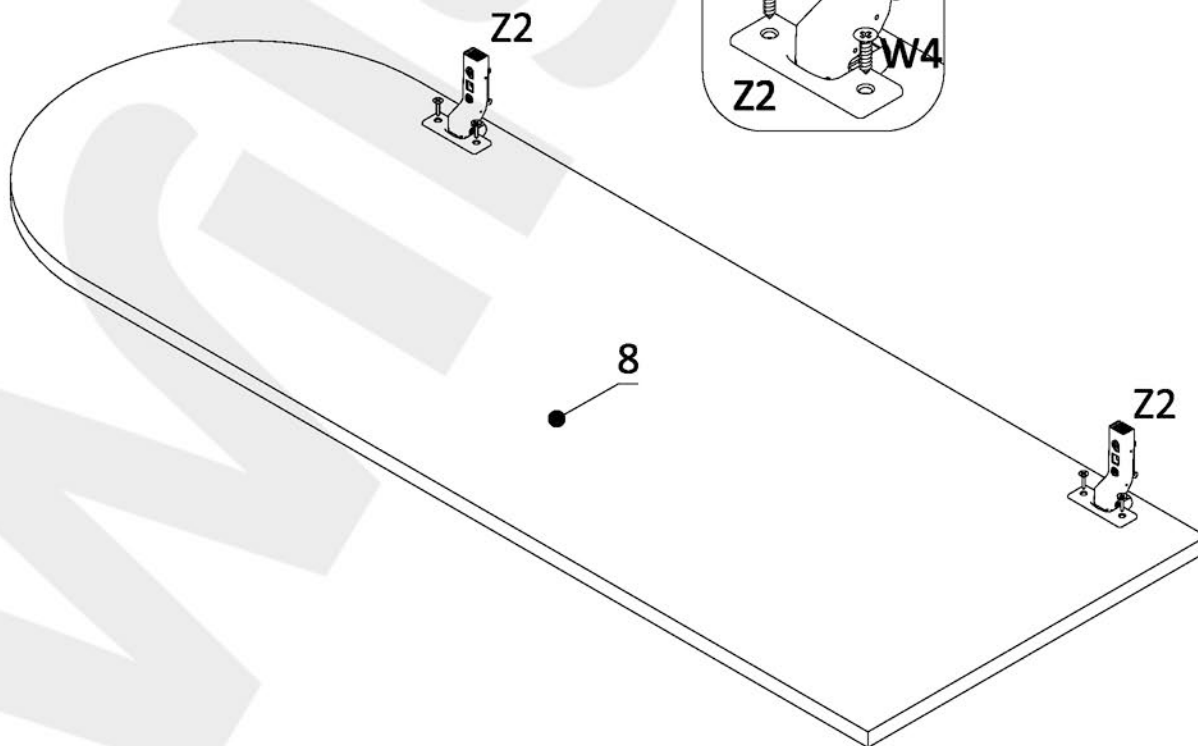


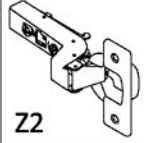

6 Option L



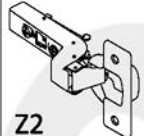

 Z2	 W4
2x	4x

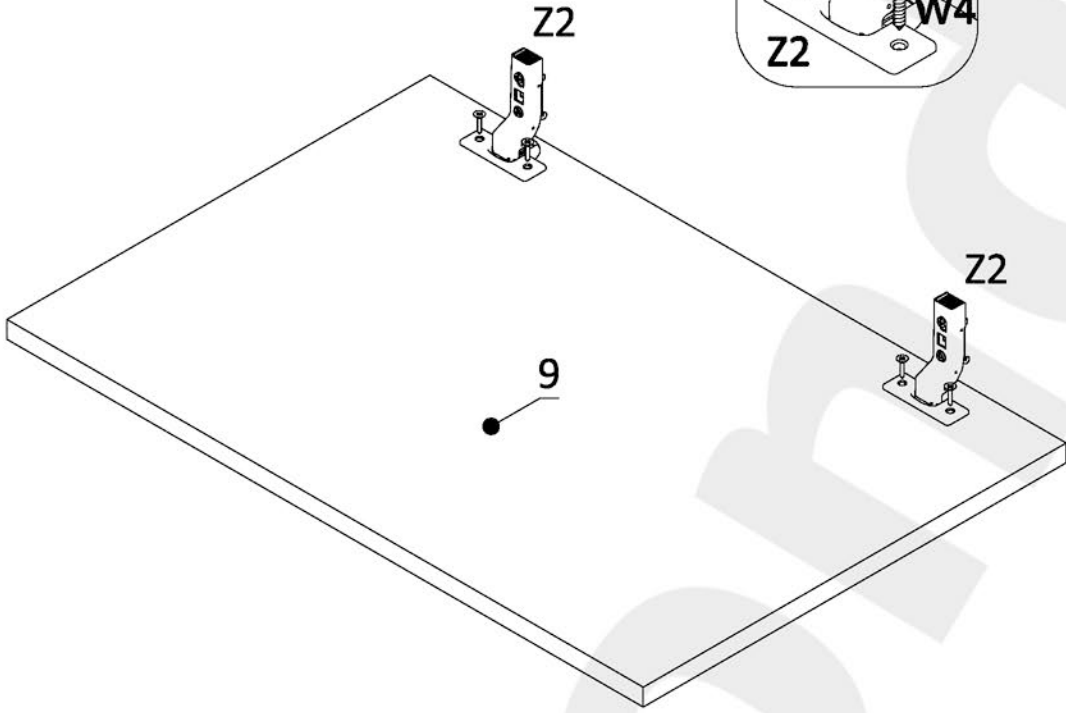
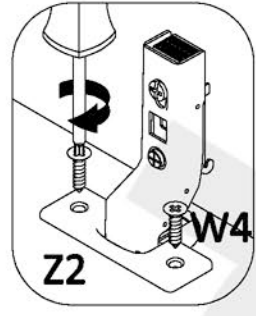
6 Option R



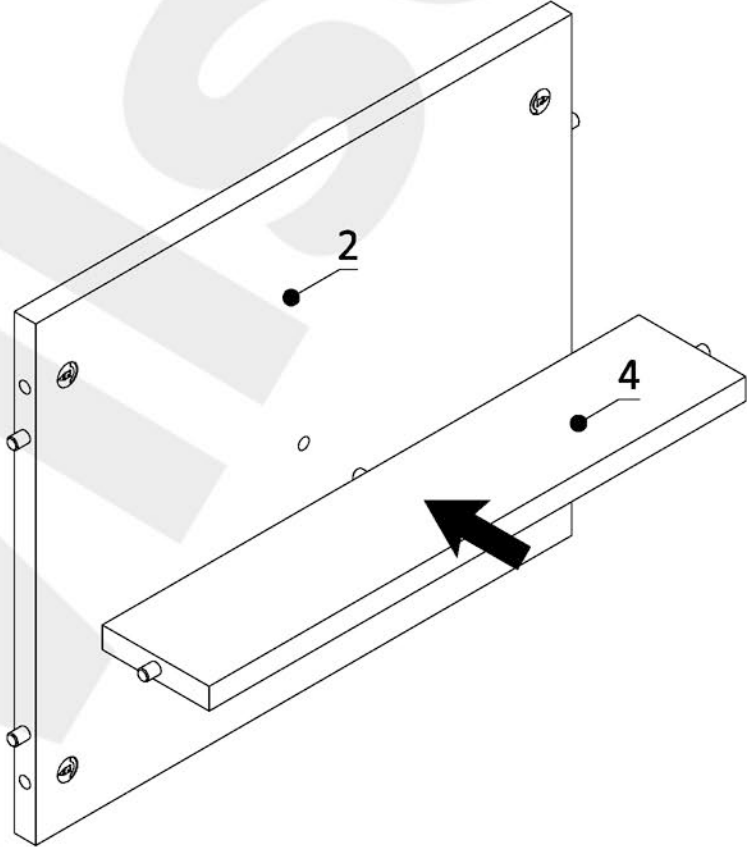
 Z2	 W4
2x	4x

7

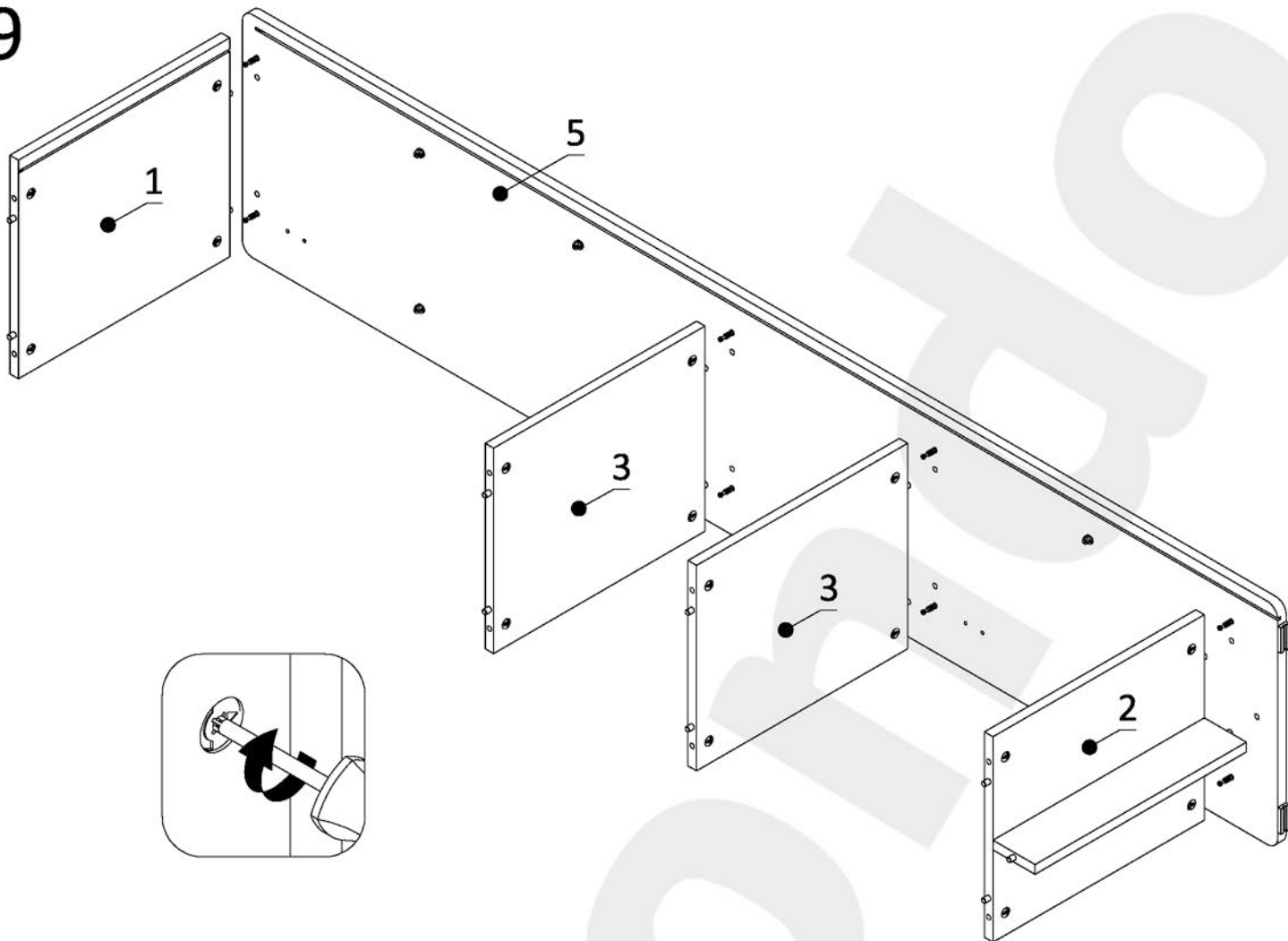
	
Z2	W4
2x	4x



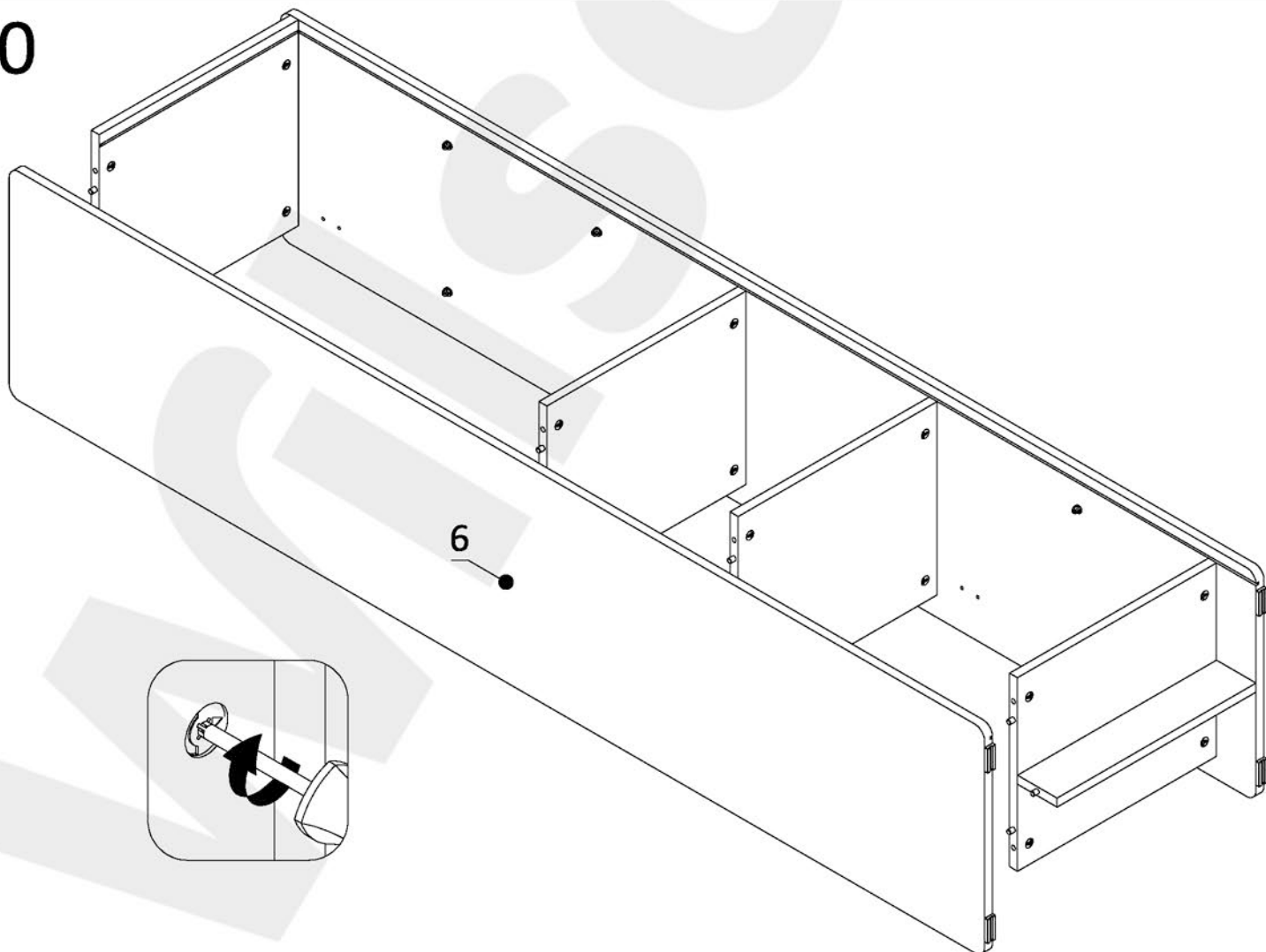
8



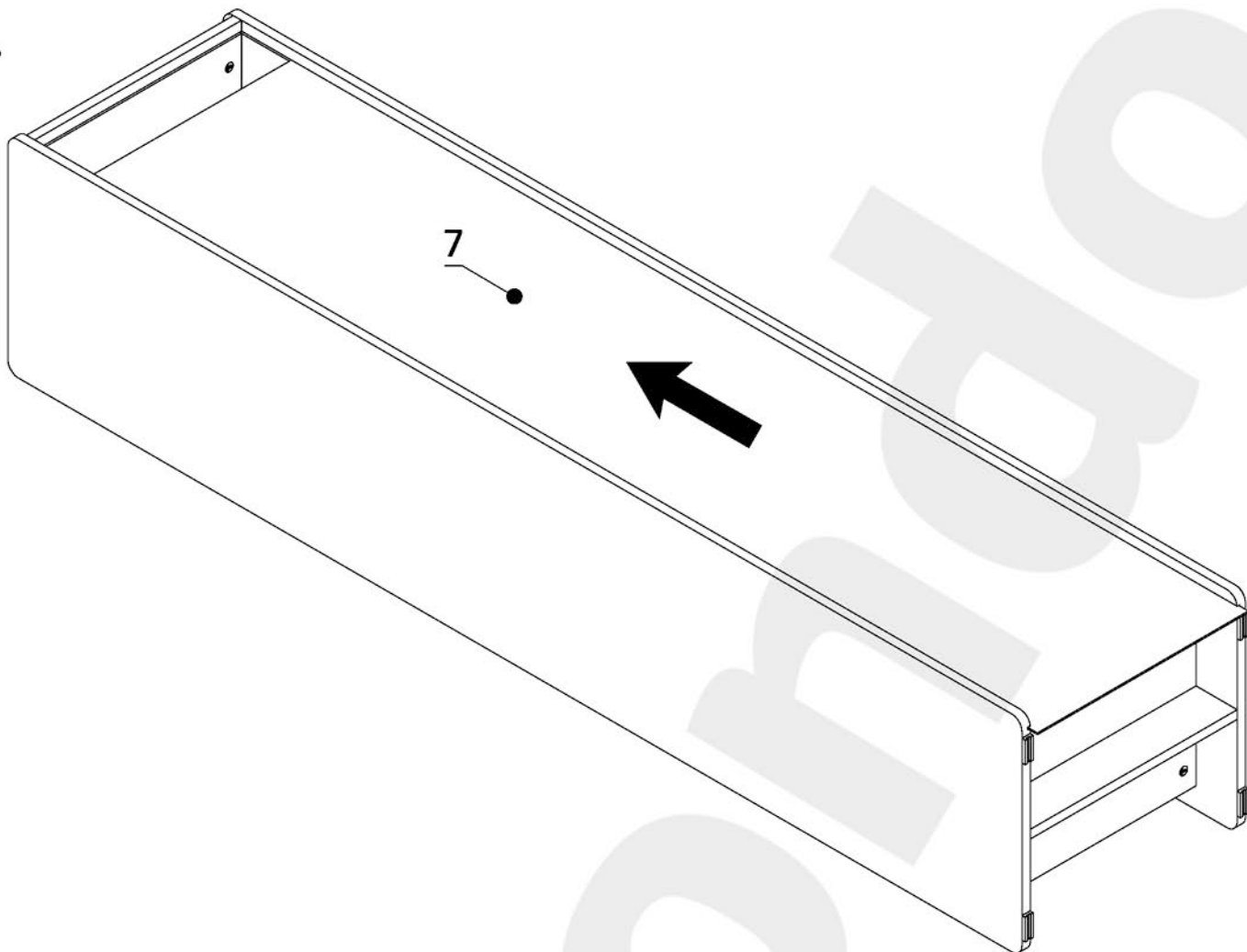
9



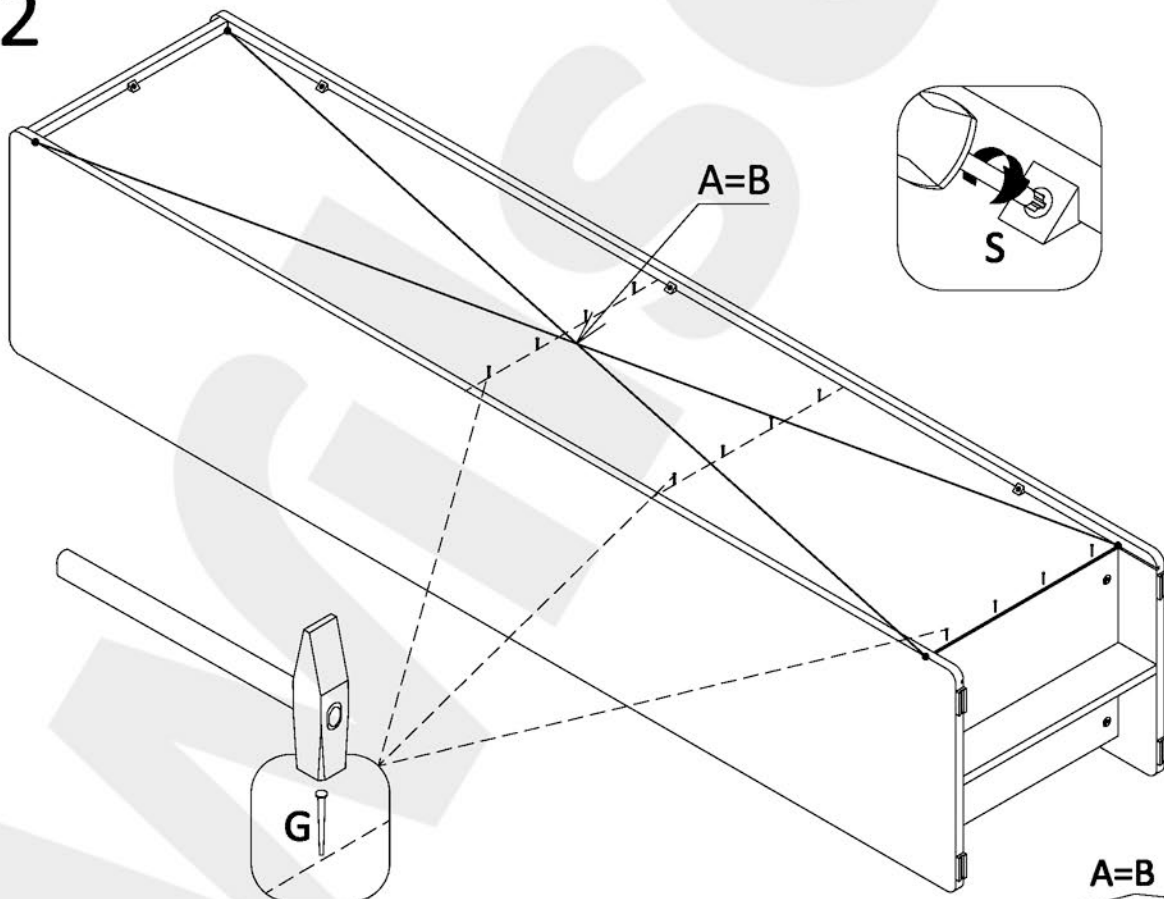
10


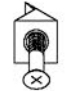


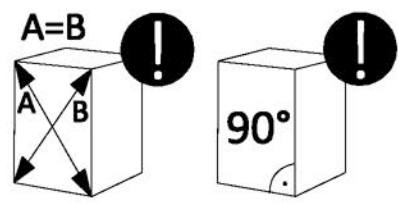
11



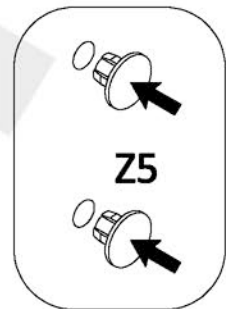
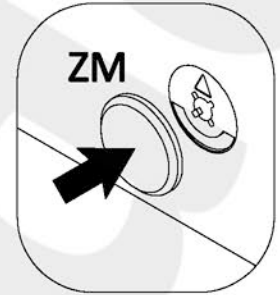
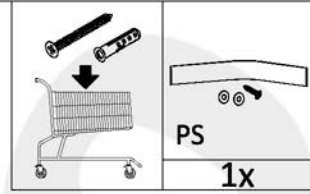
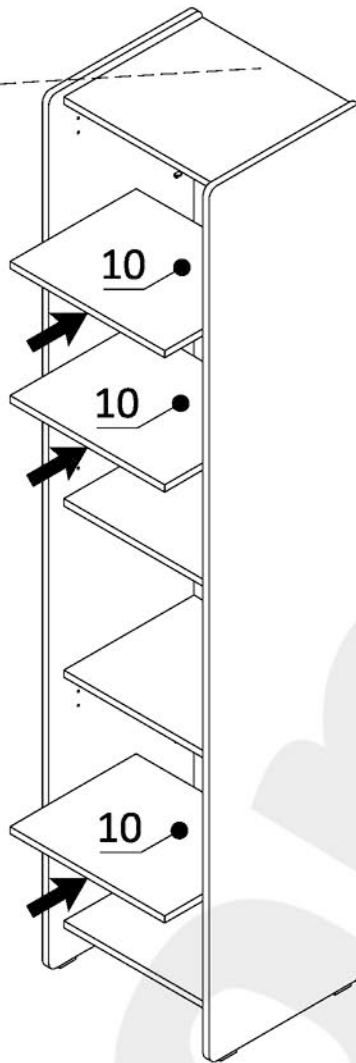
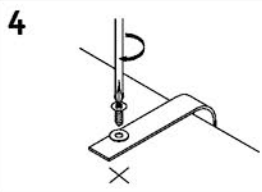
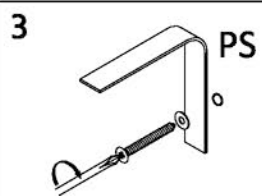
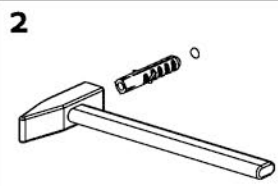
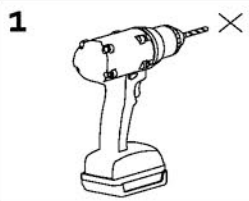
12



	
G	S
12x	7x



13



14

