




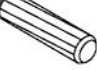

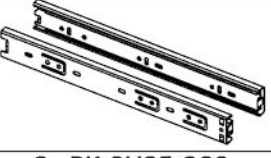

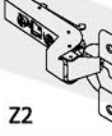






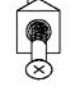

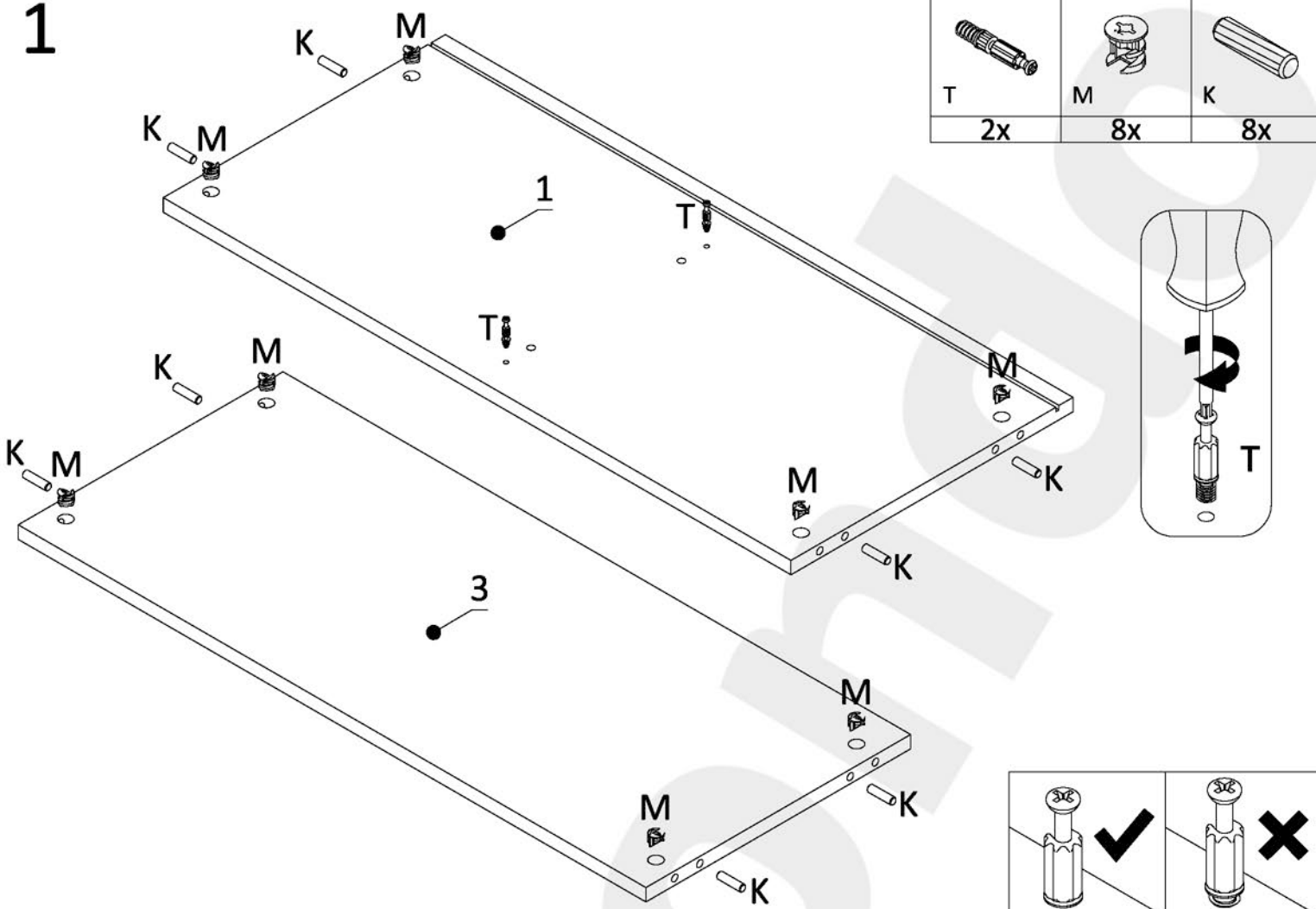
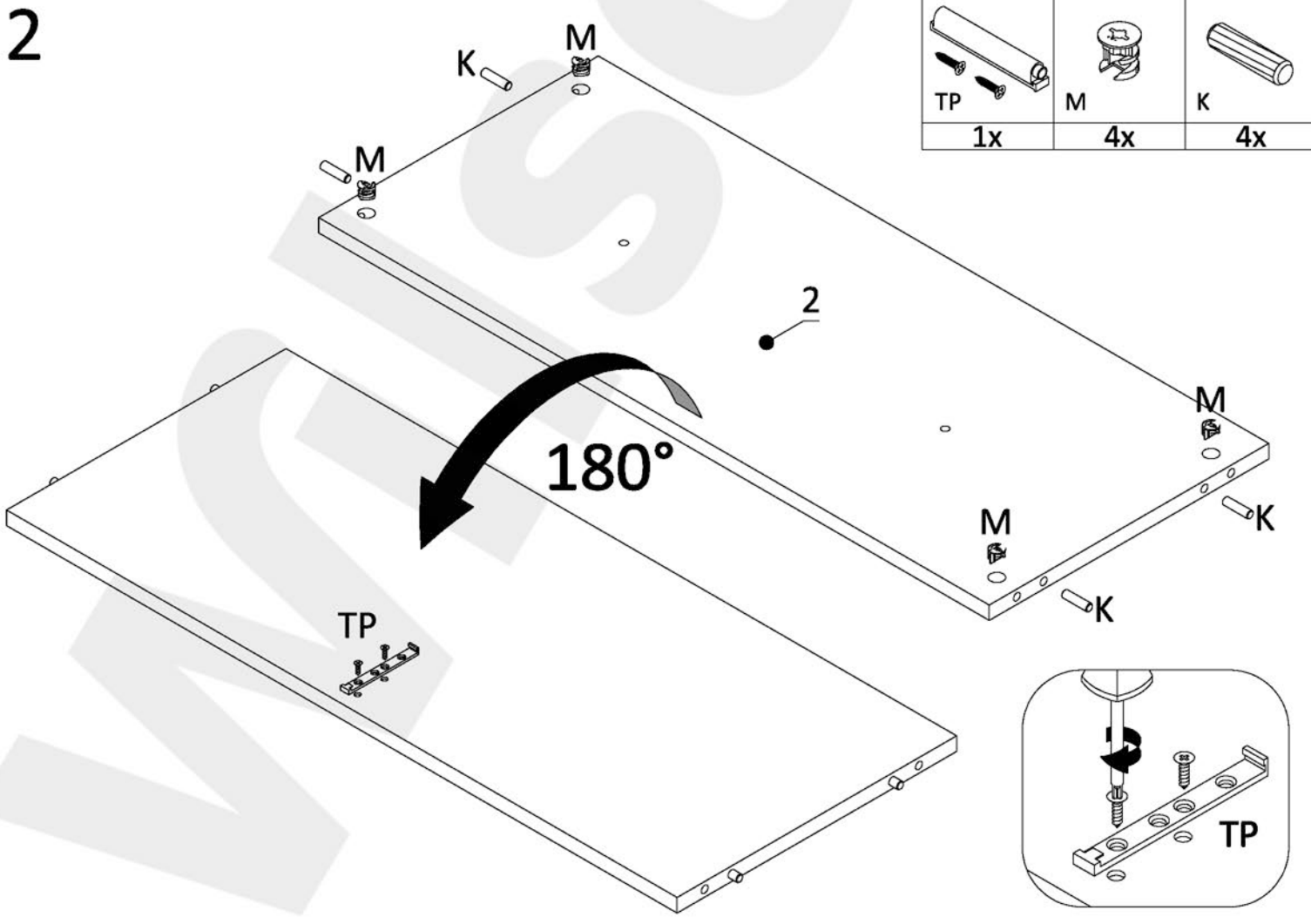
 5x13 E1	 3x16 W2	 4x16 W4	 7x50 KF	 15/12 M	 L20,3 T	 8x30 K	 TP	 2x PK-0H35-300	
16x	28x	8x	4x	36x	36x	36x	1x		
 PZ	 Z2	 SW4 KL	 ZM	 L300 WS	 SL	 2x20 G	 PM	 S	 PS
4x	4x	1x	36x	2x	5x	9x	24x	10x	1x

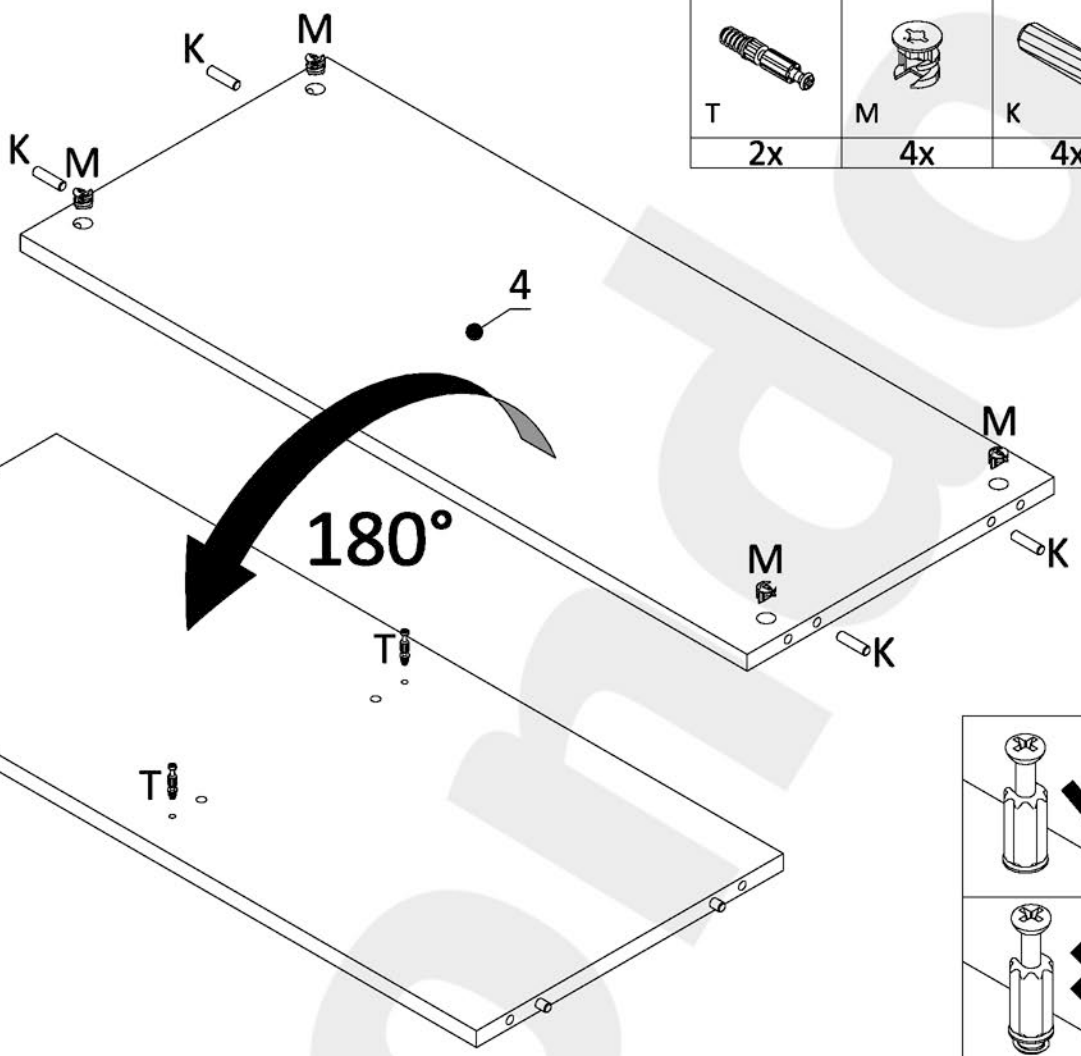
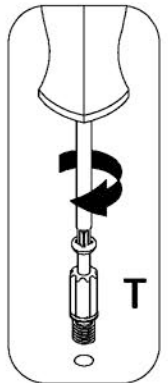
1



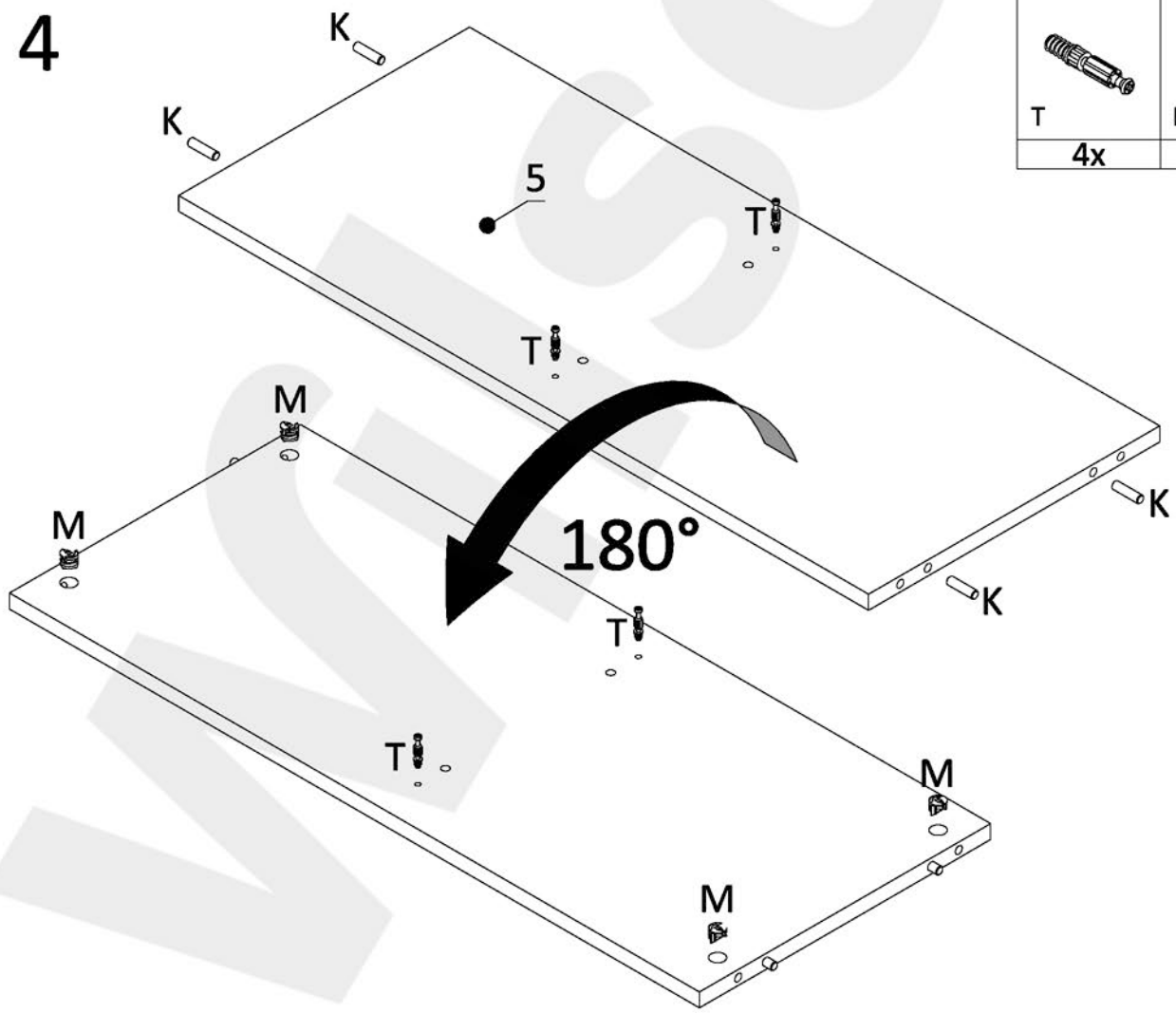
2



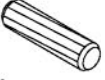


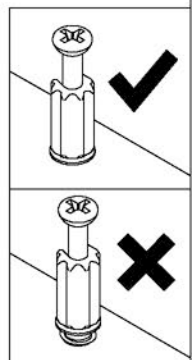
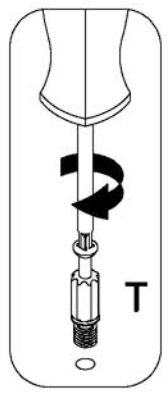
3



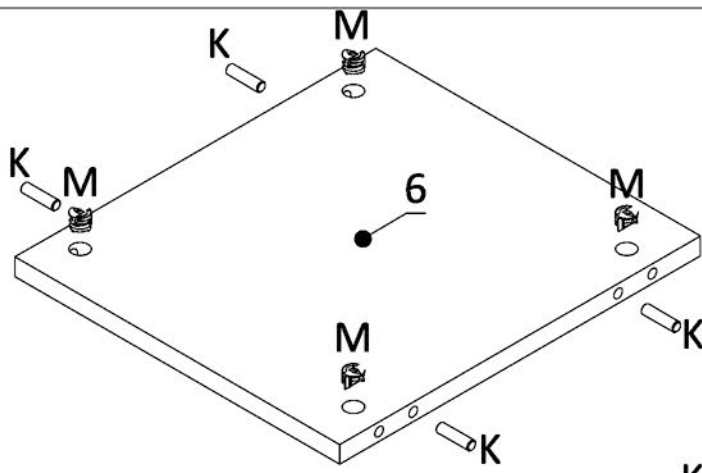
4





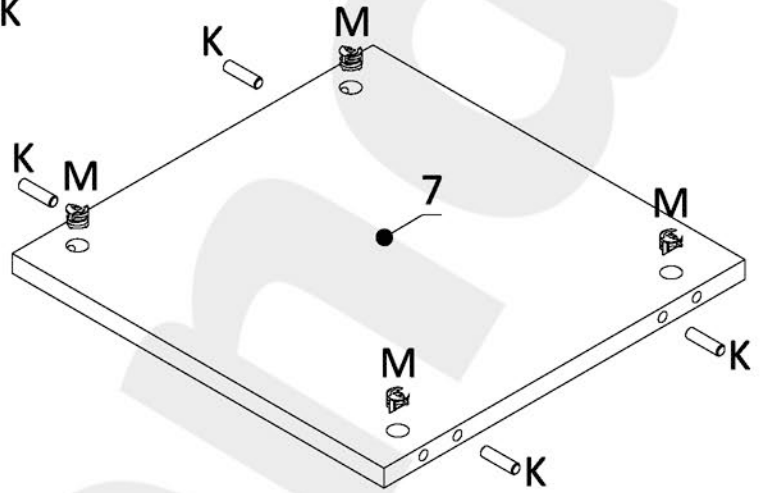
		
T	M	K
4x	4x	4x



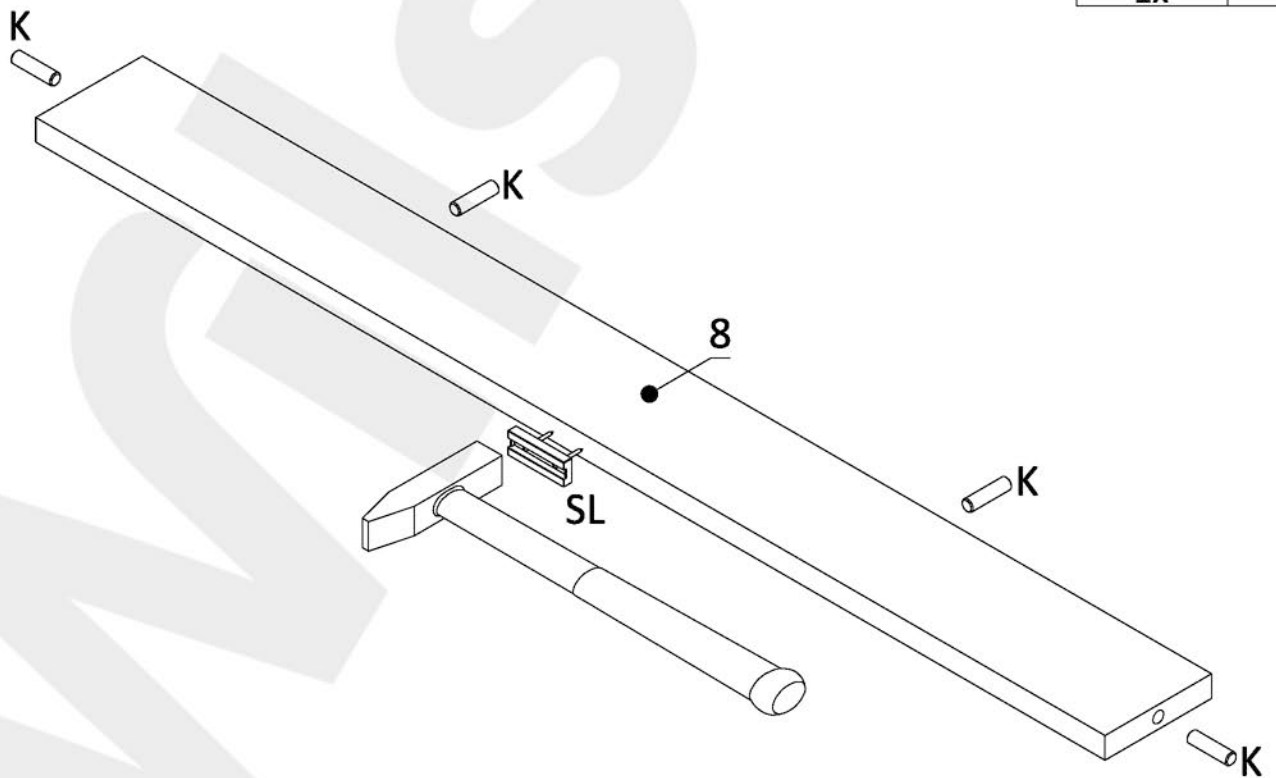
5





 K	 M
8x	8x

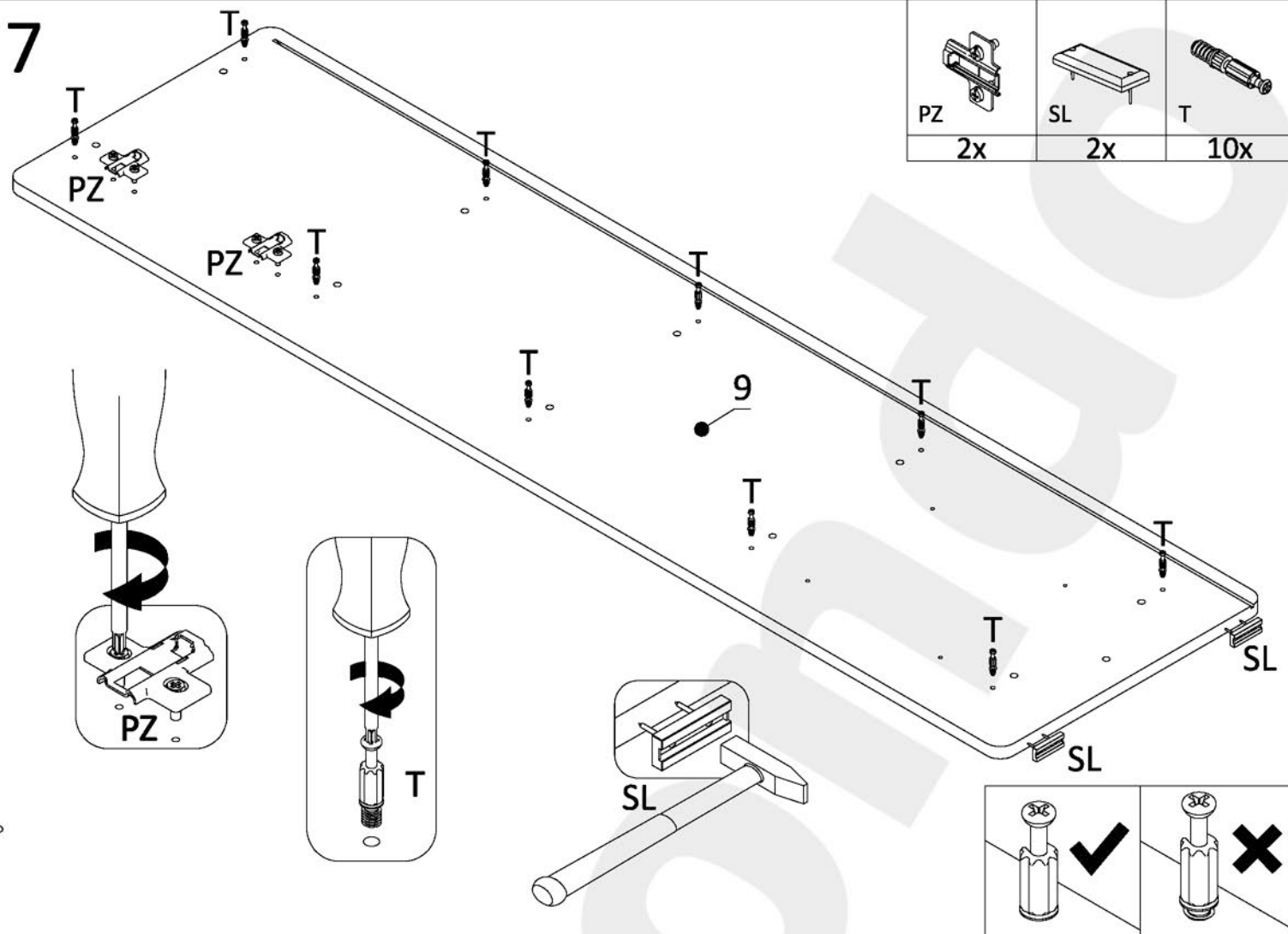


6

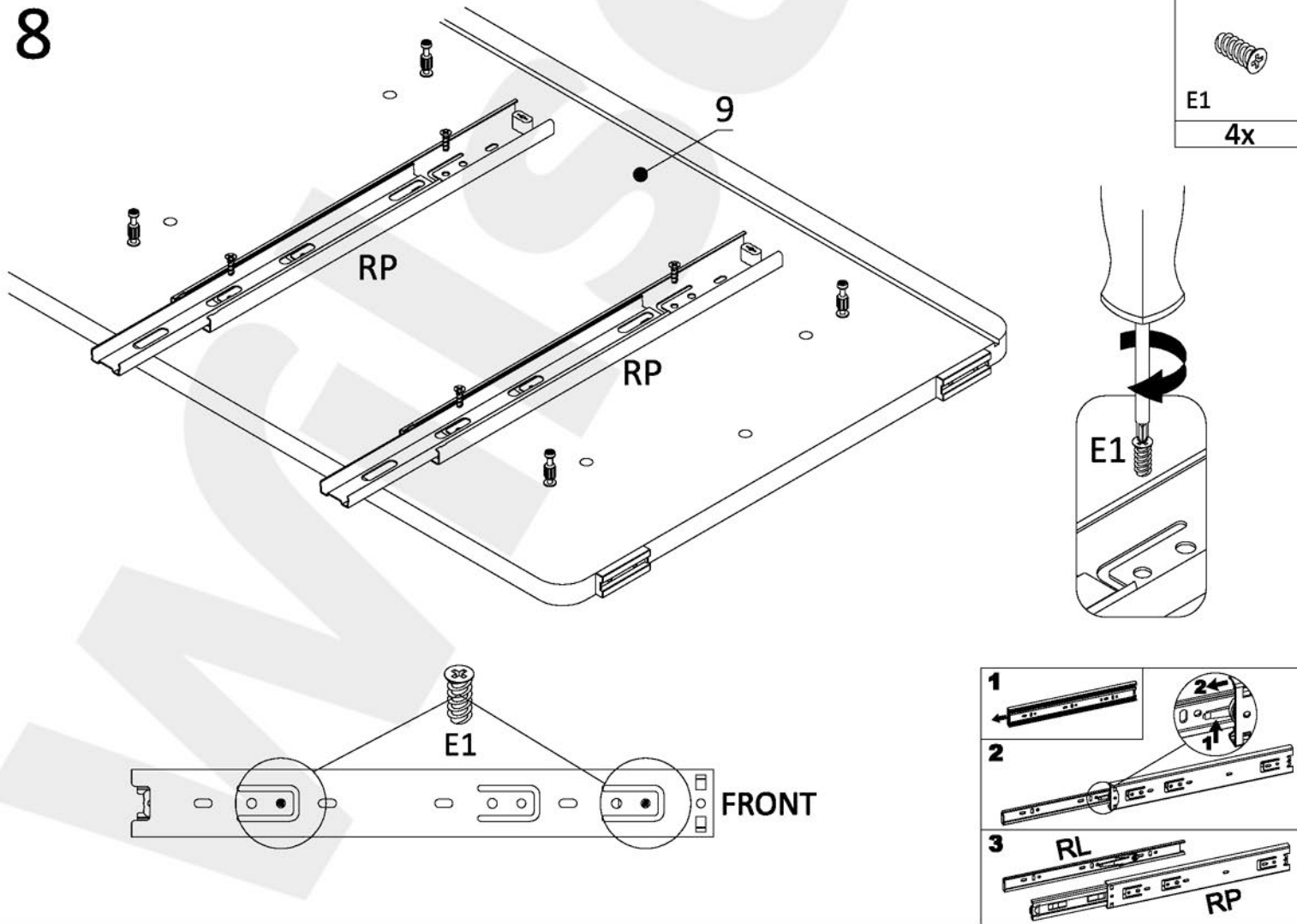


 SL	 K
1x	4x

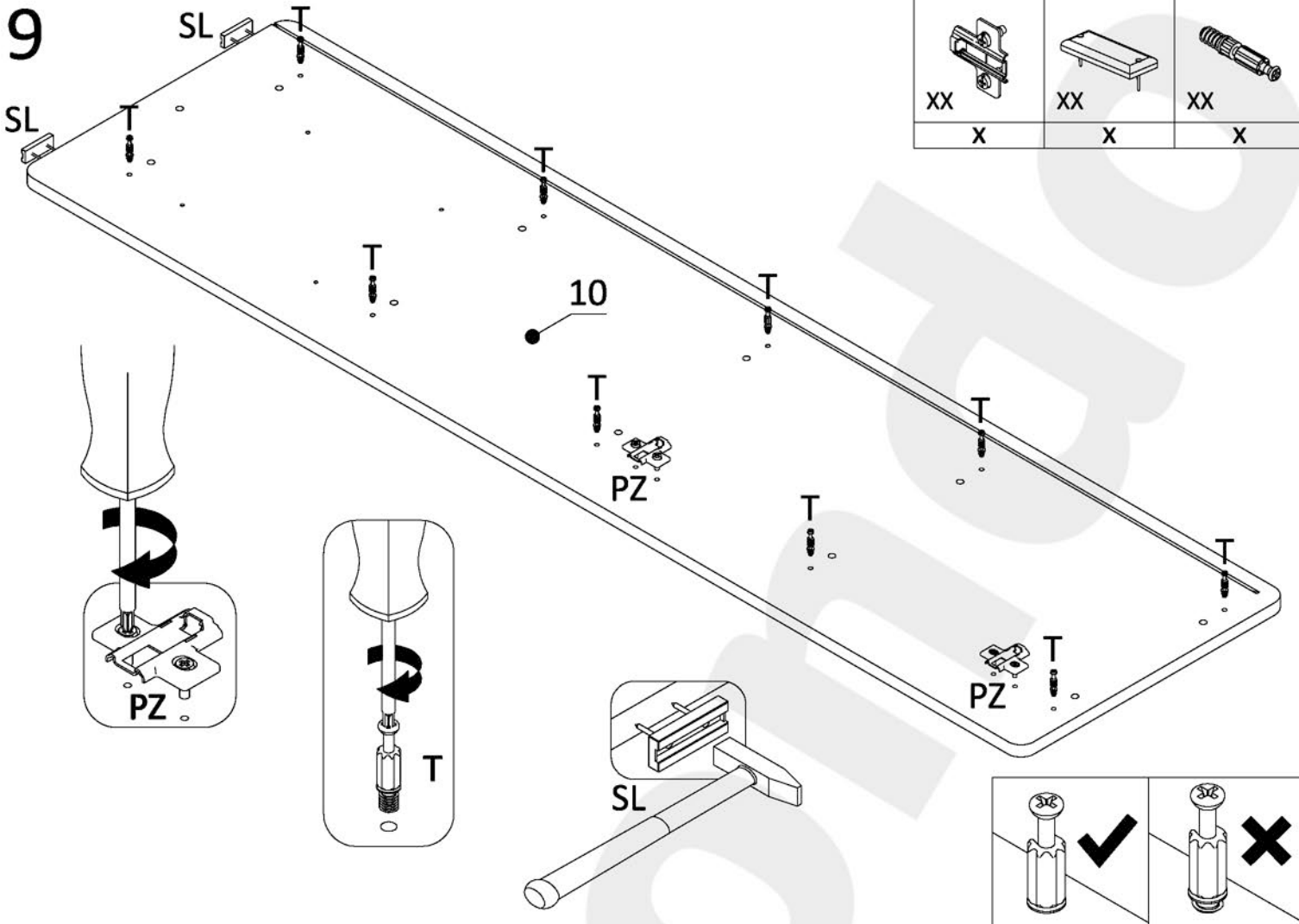
7



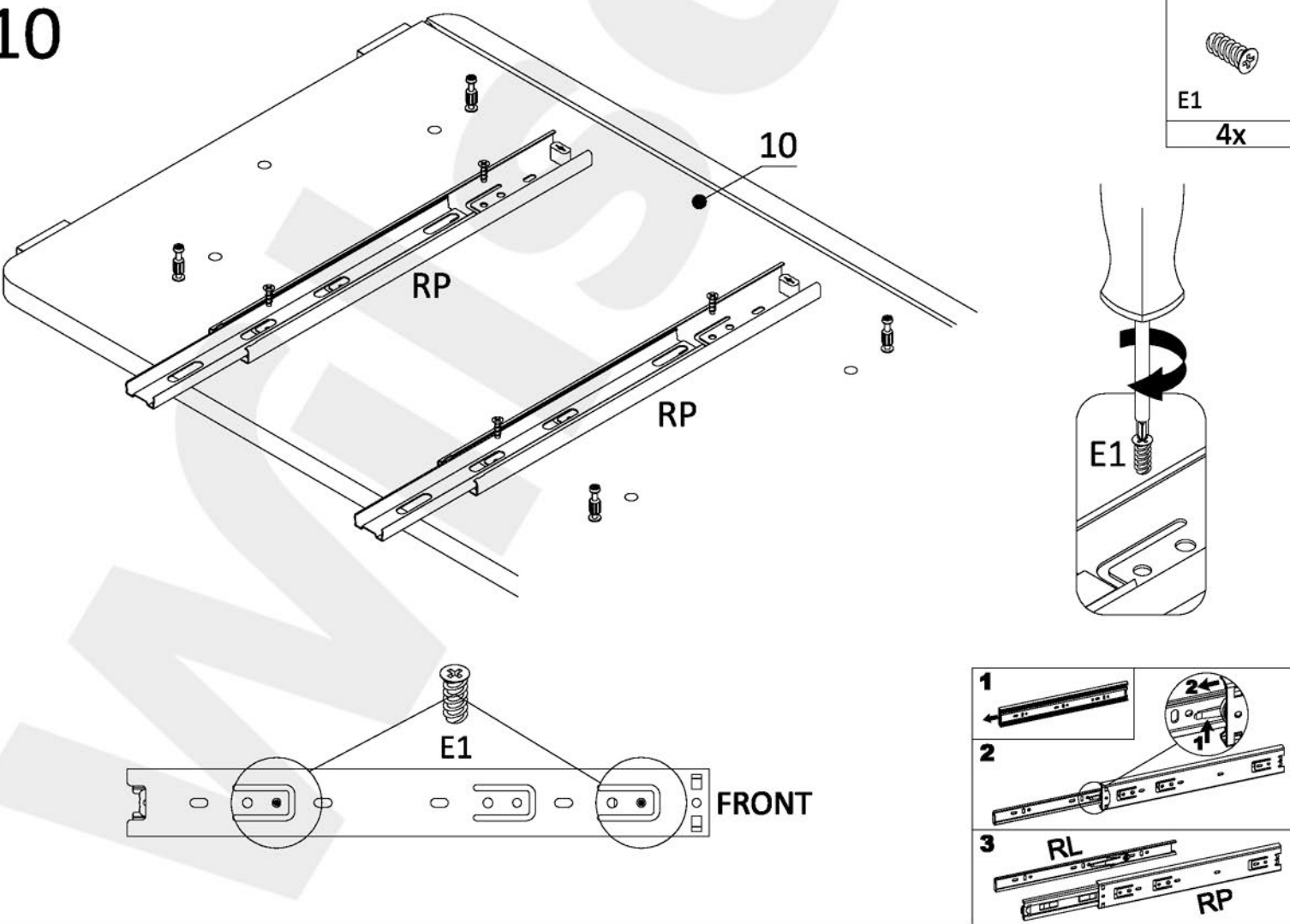
8



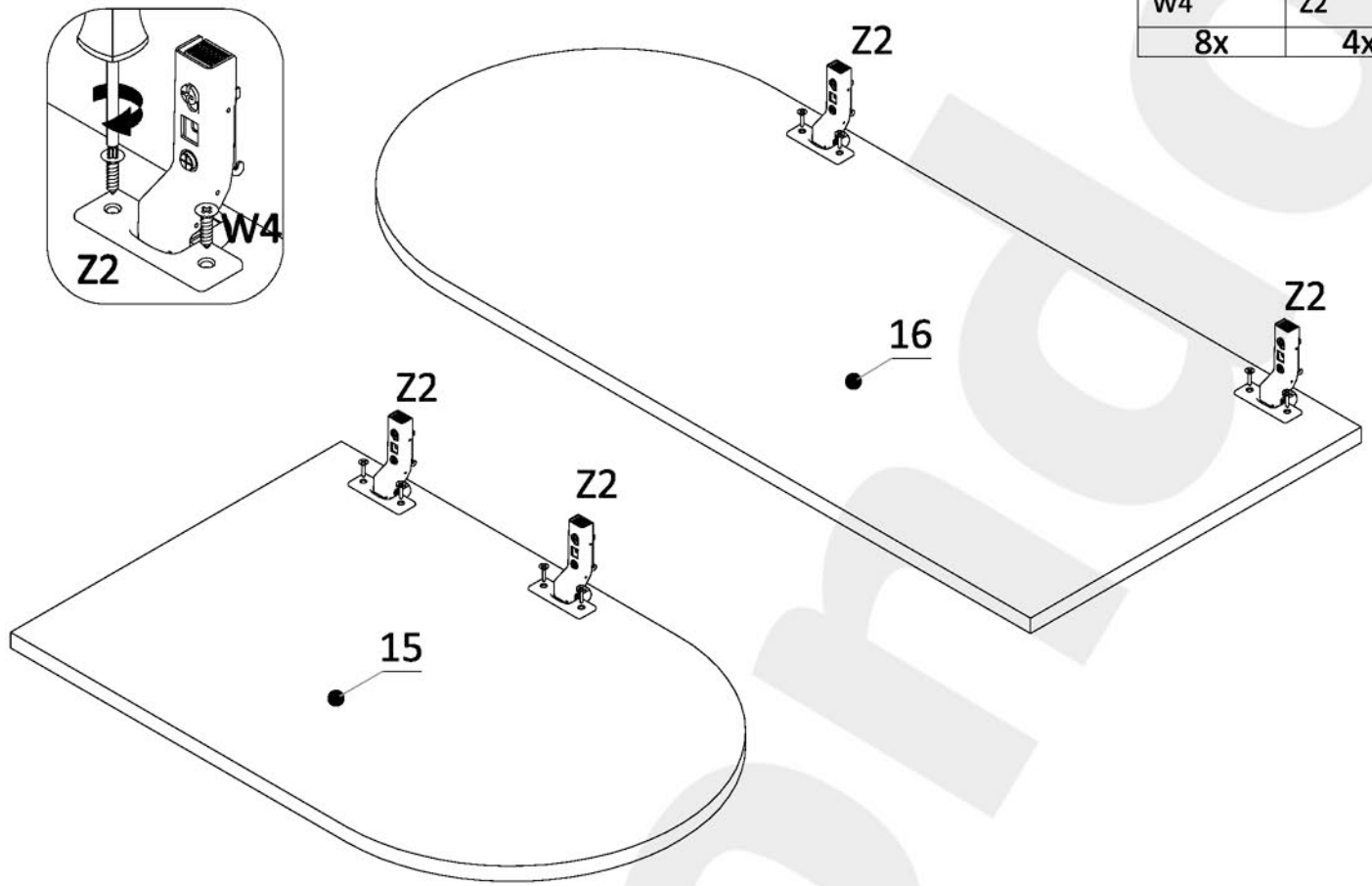
9



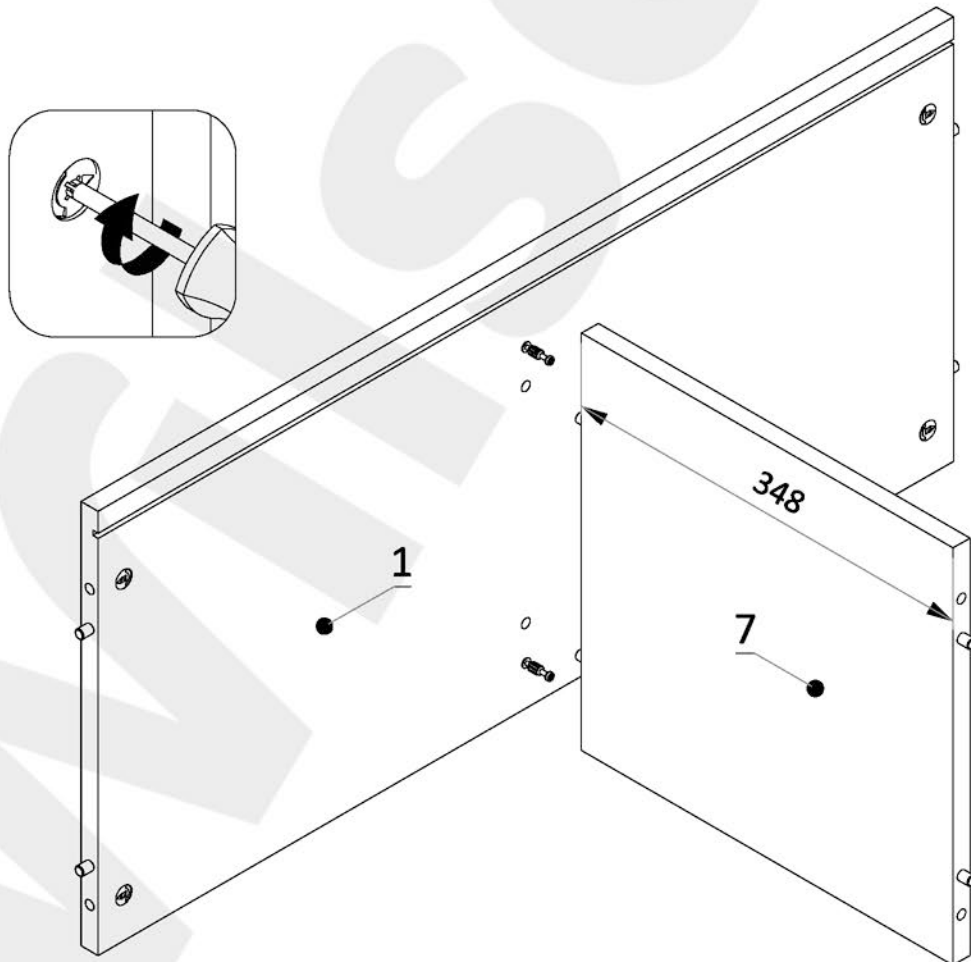
10



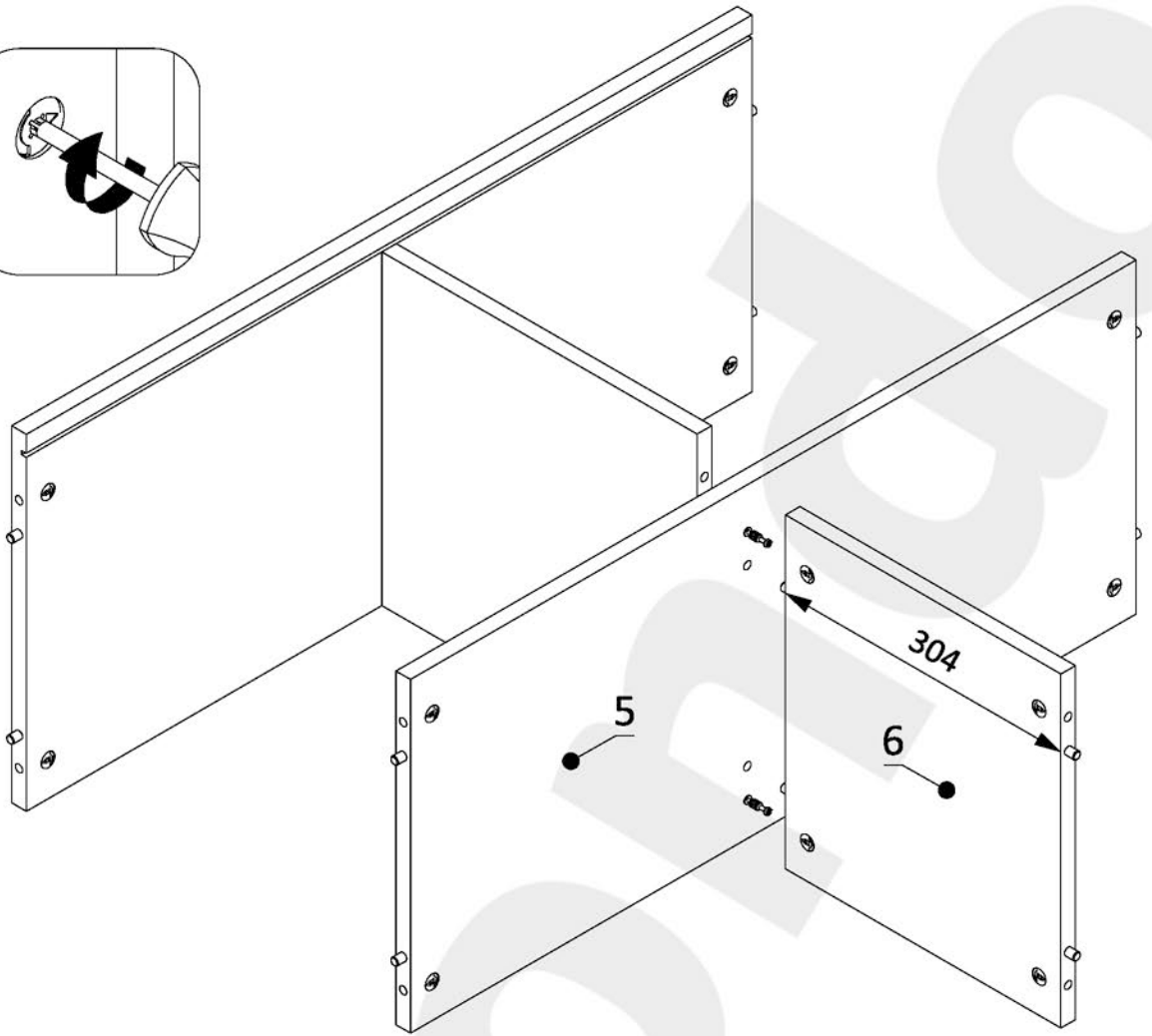
11



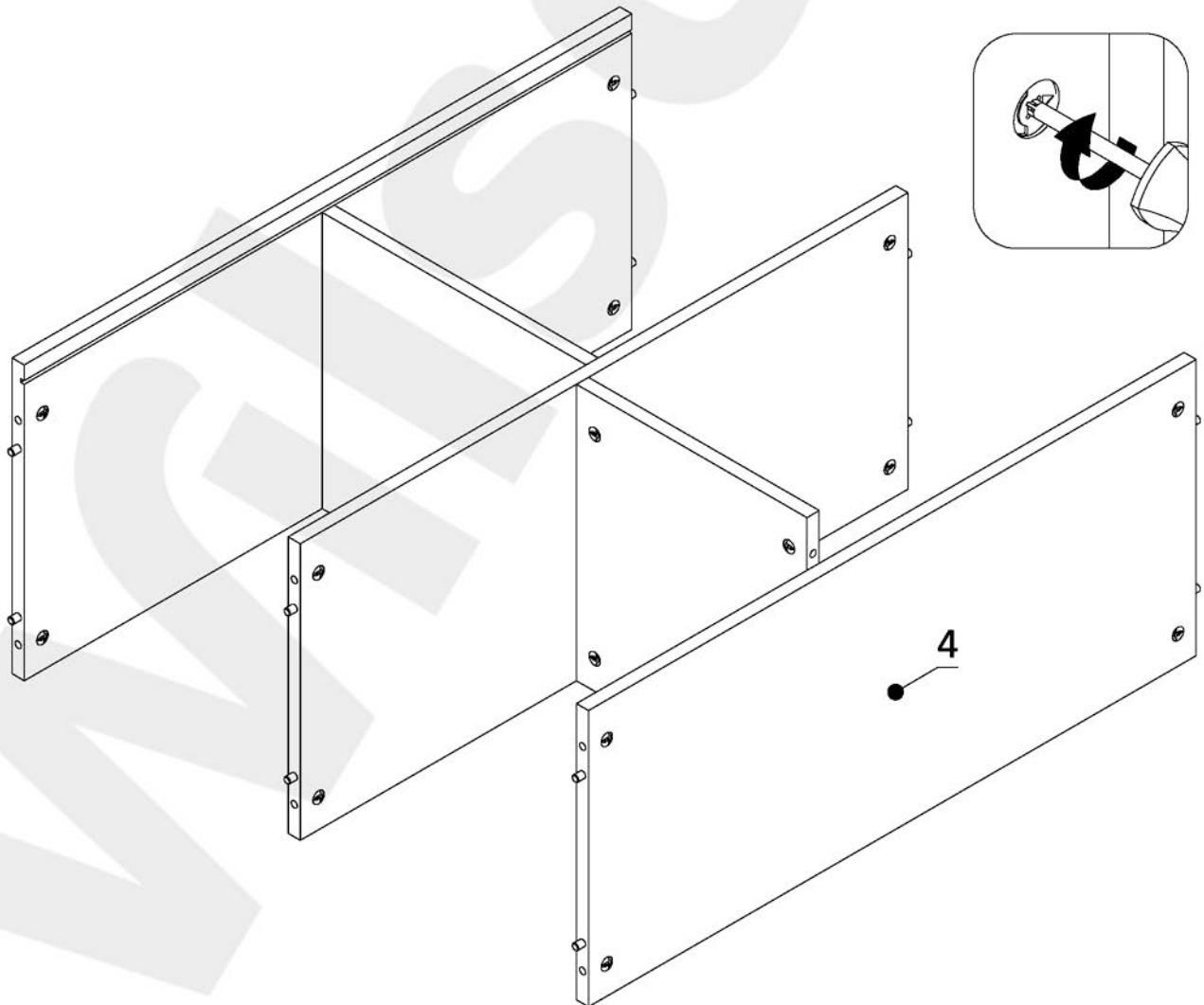
12



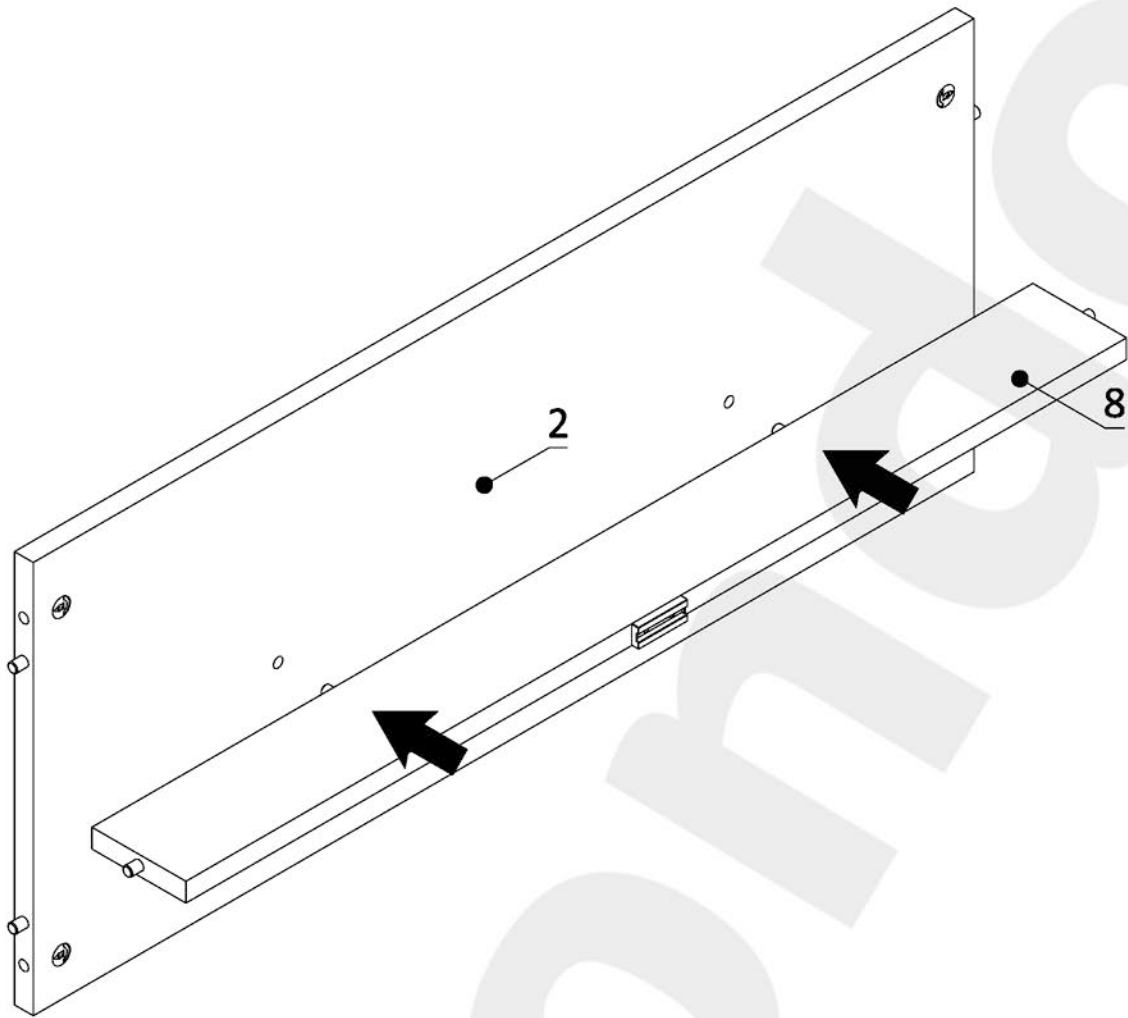
13



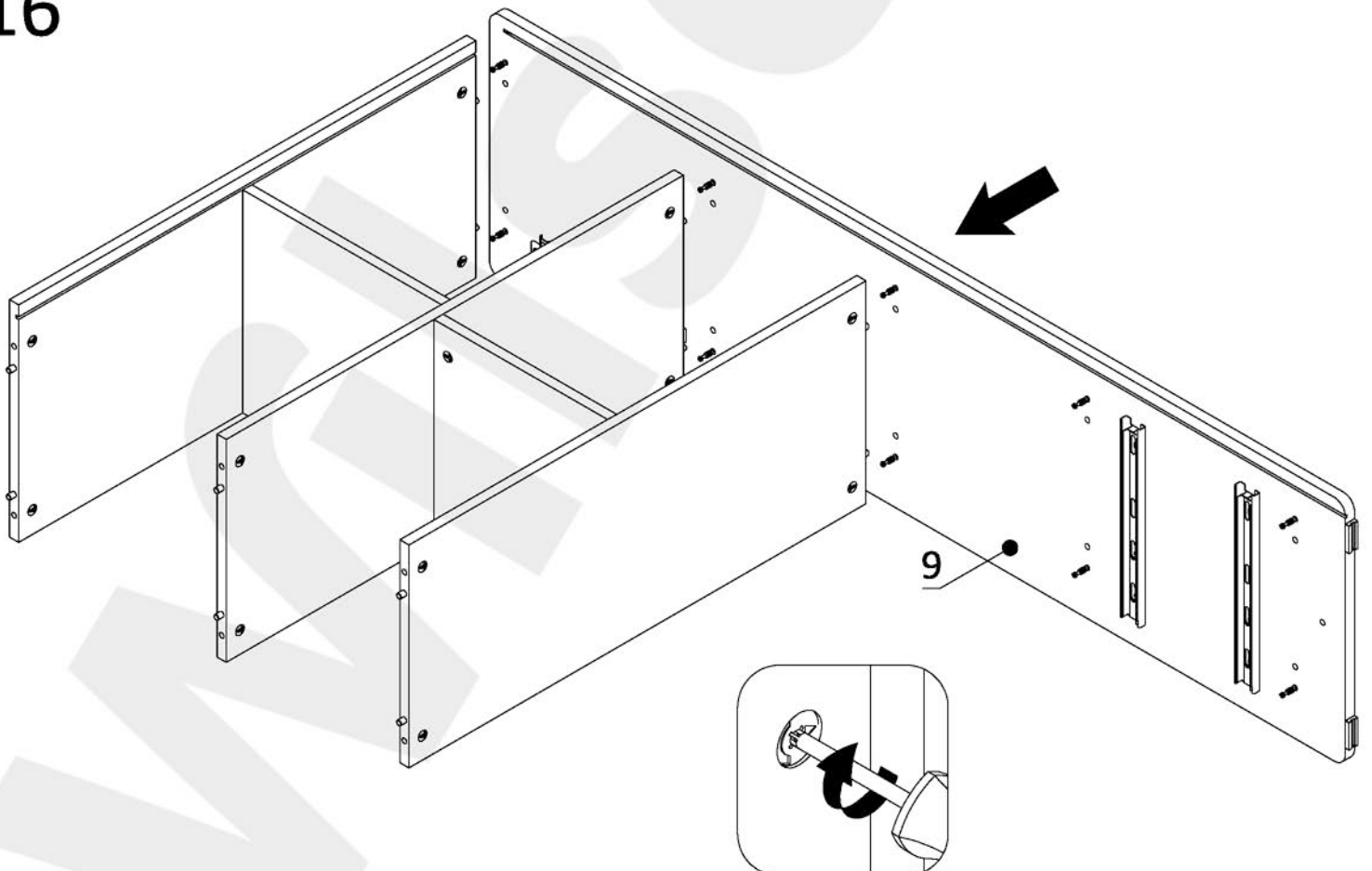
14



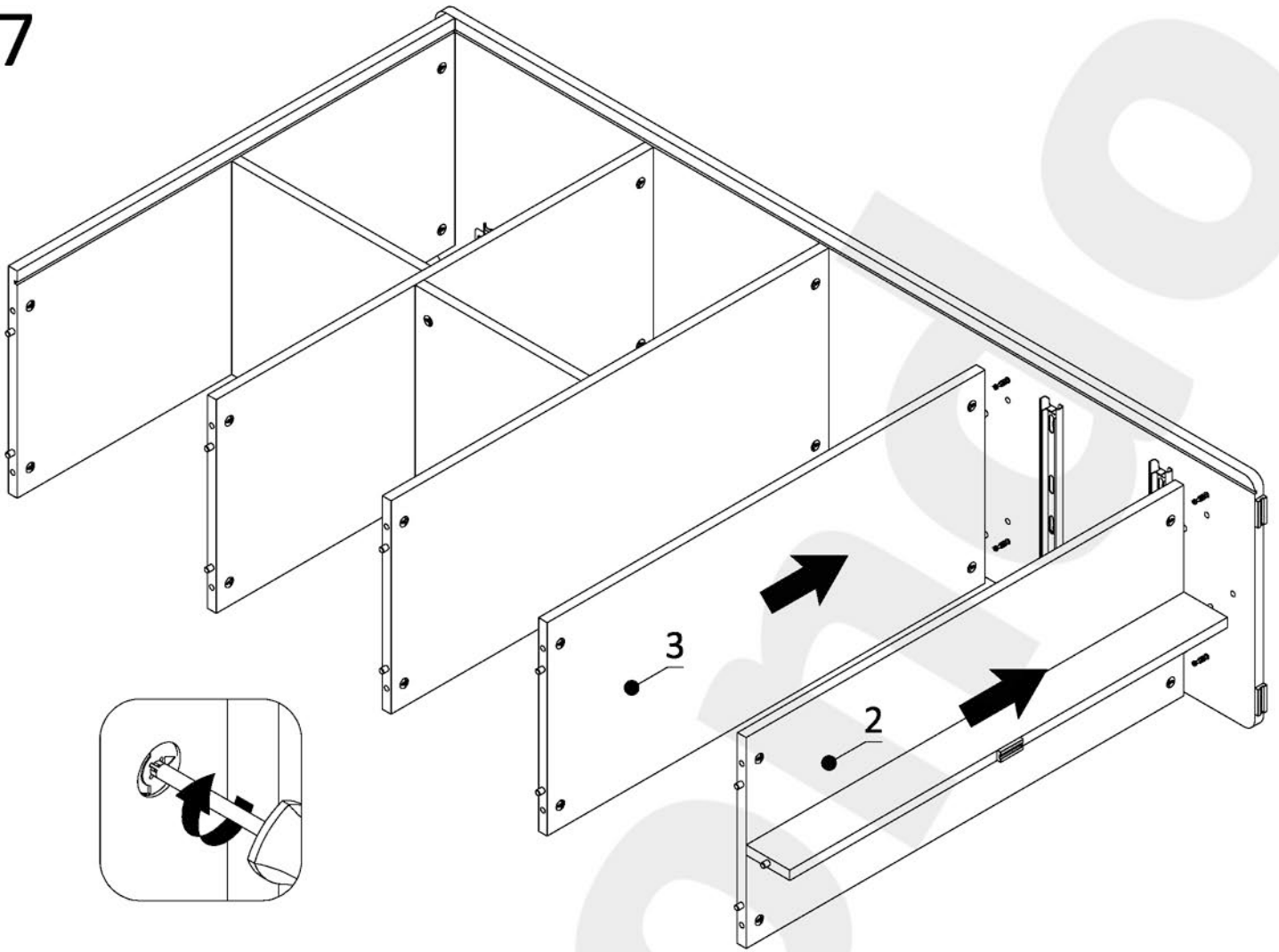
15



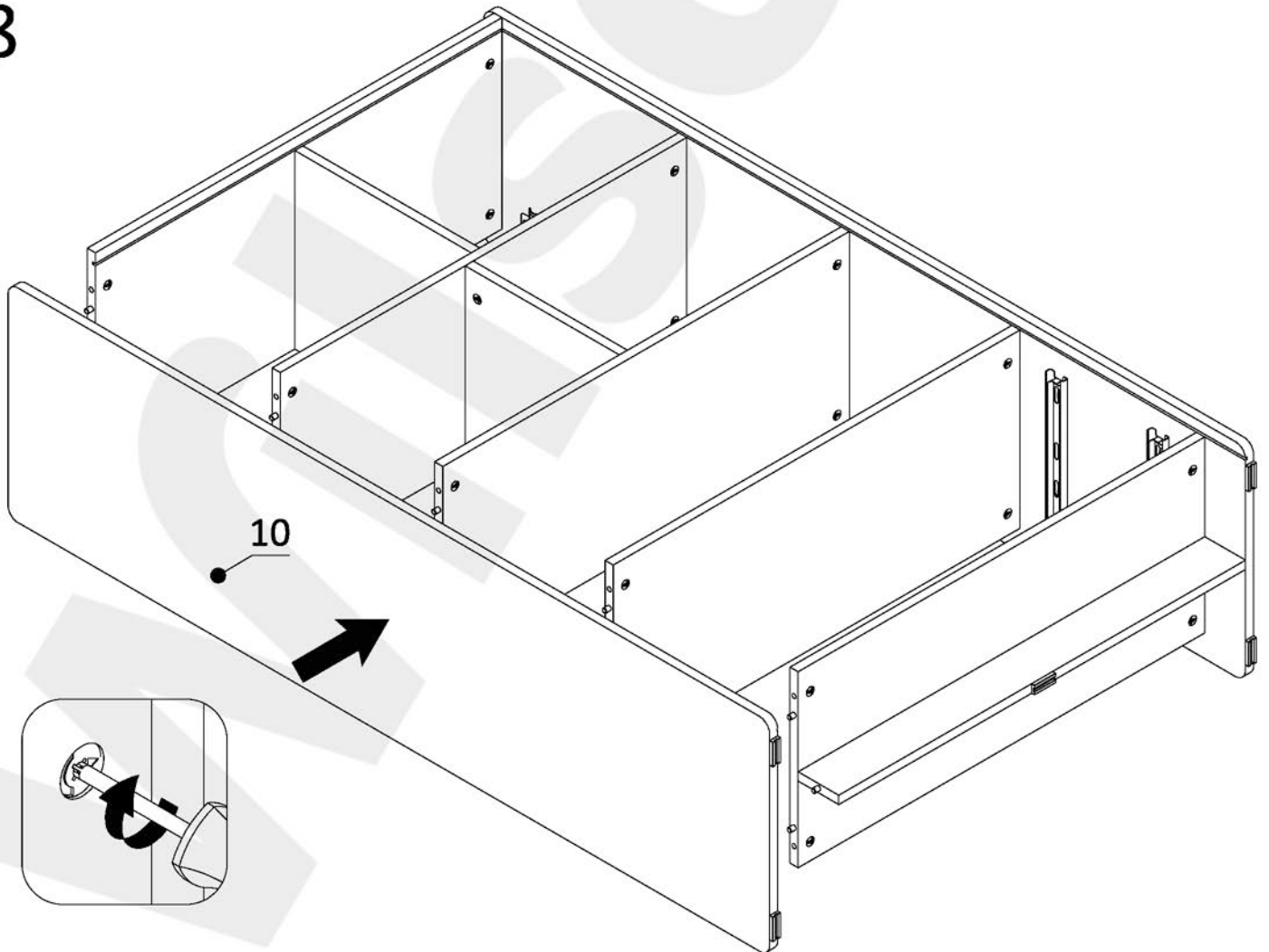
16



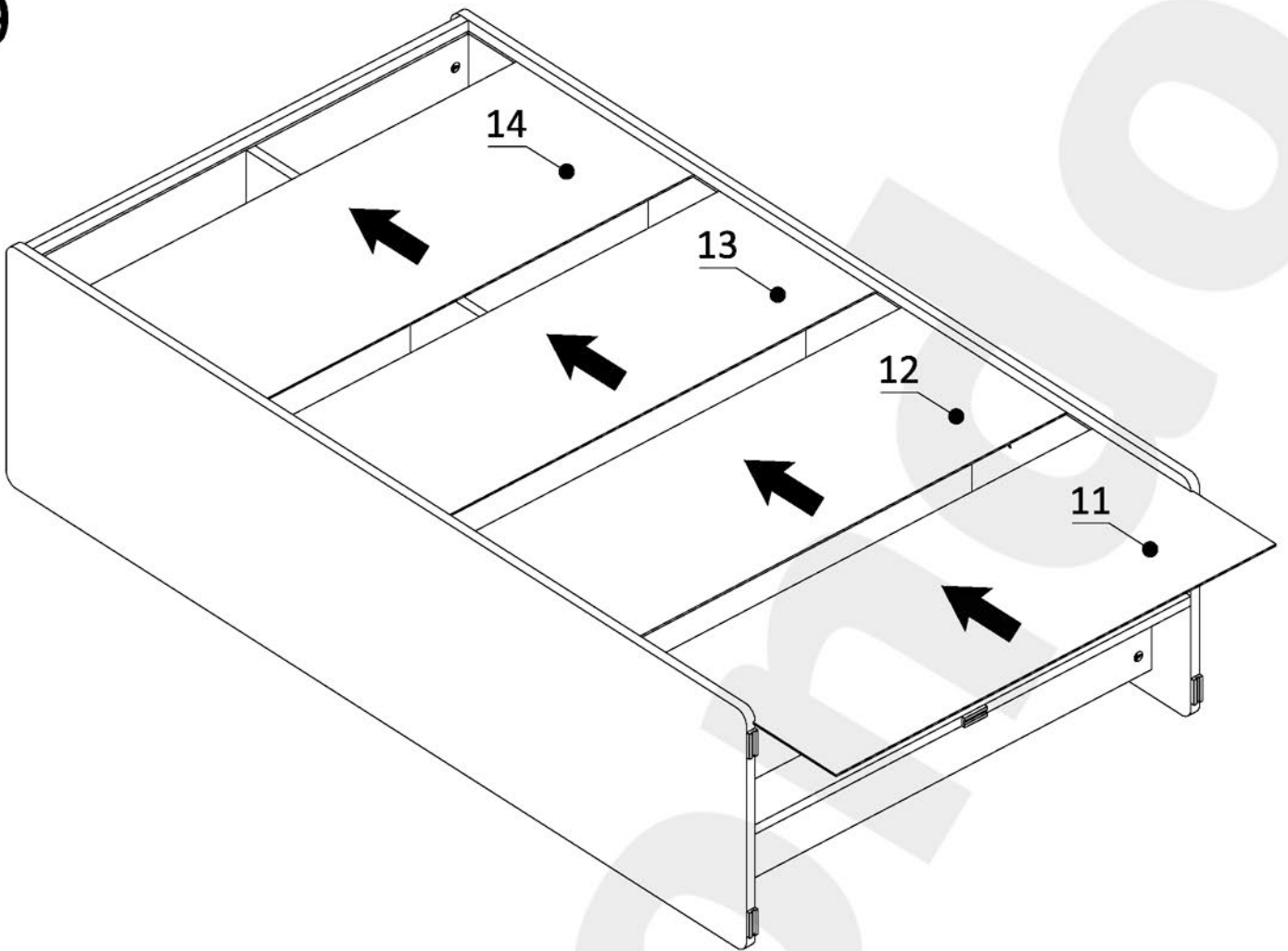
17



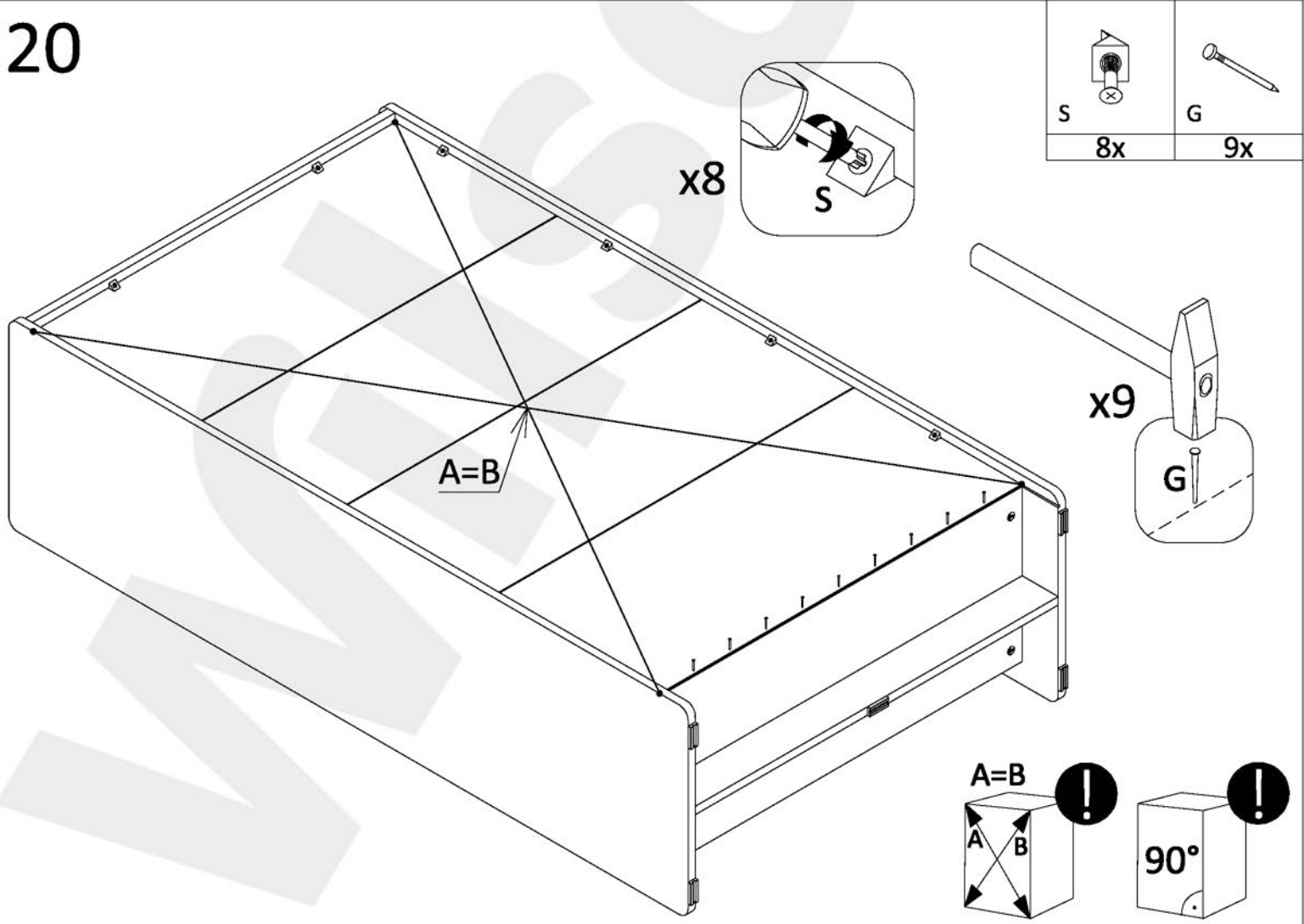
18





19

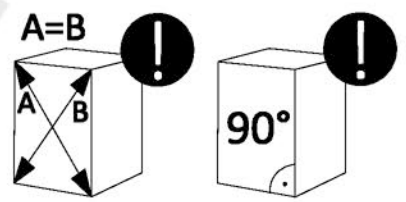
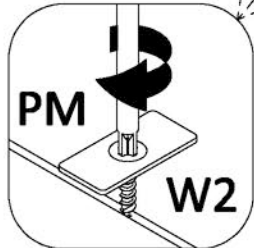
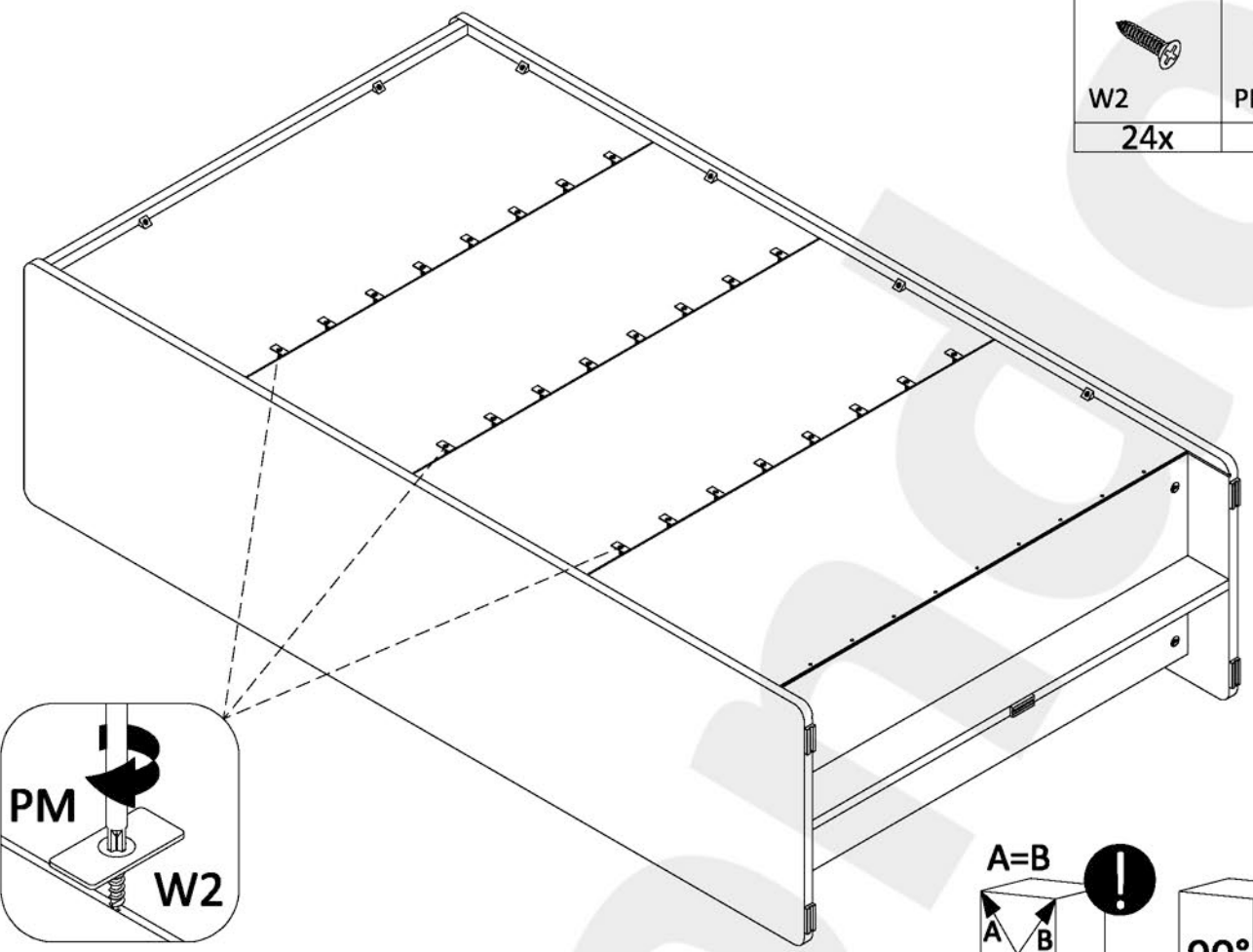


20





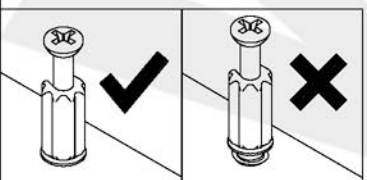
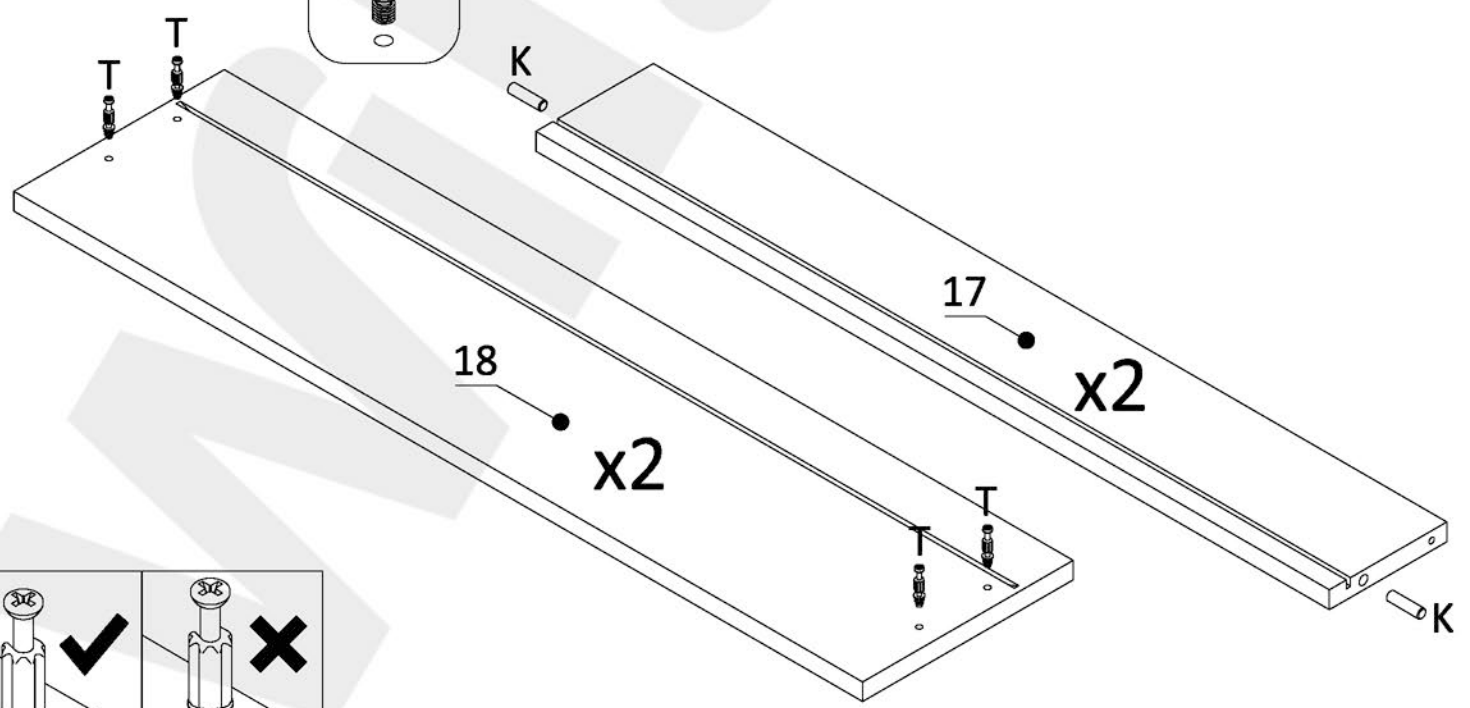
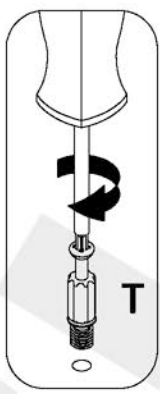
21

	
W2	PM
24x	24x

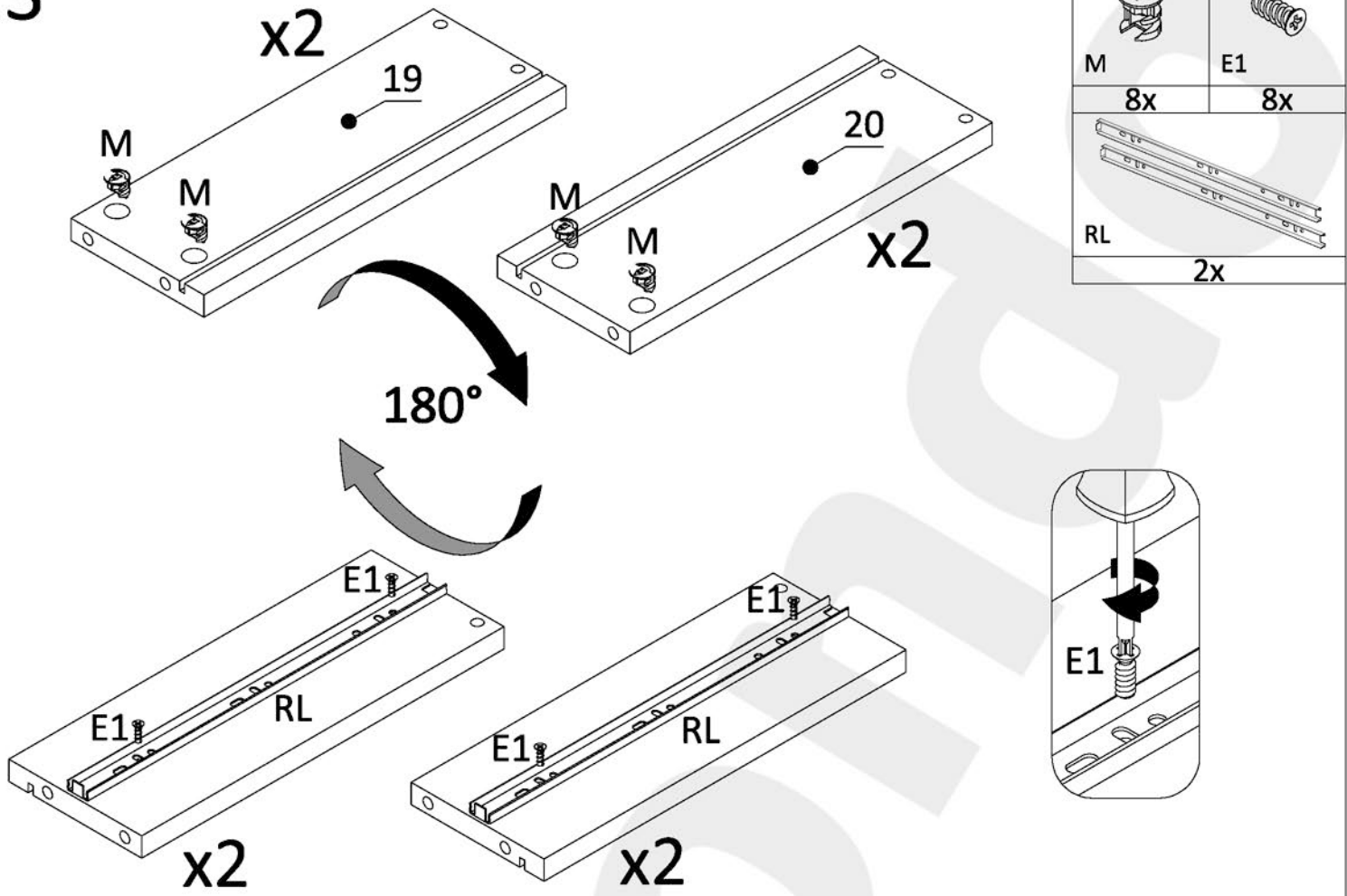


22

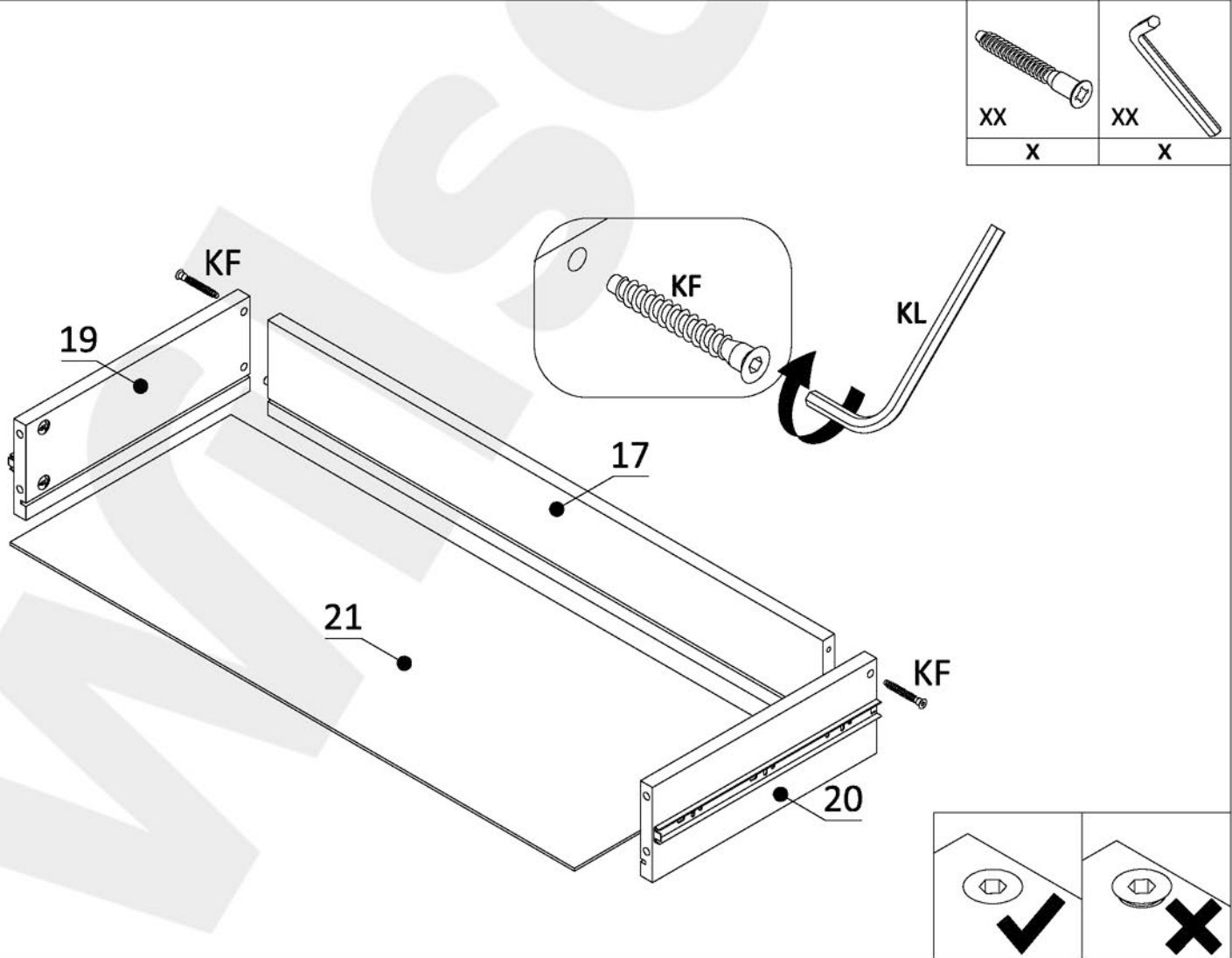
	
K	T
4x	8x



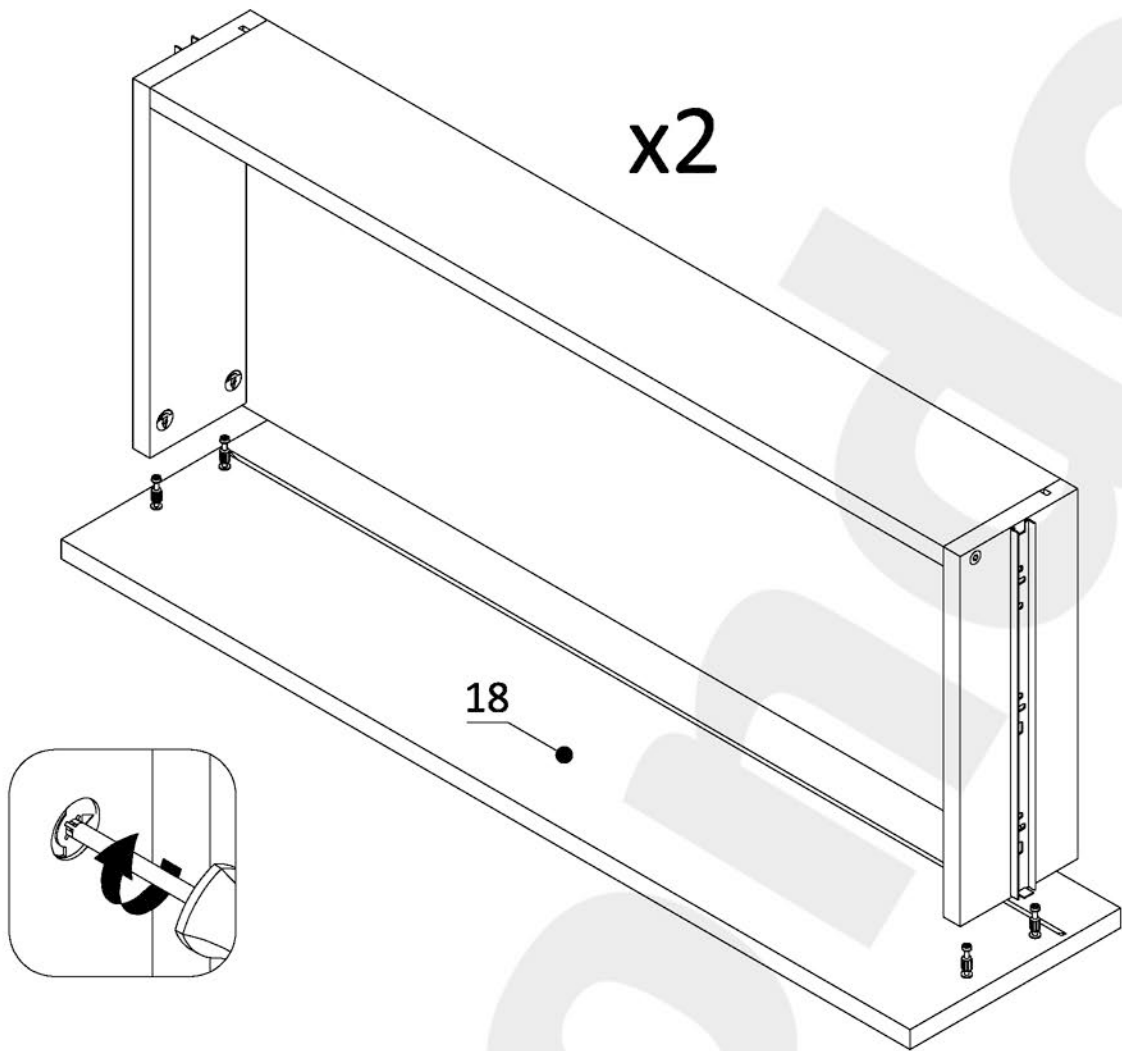
23



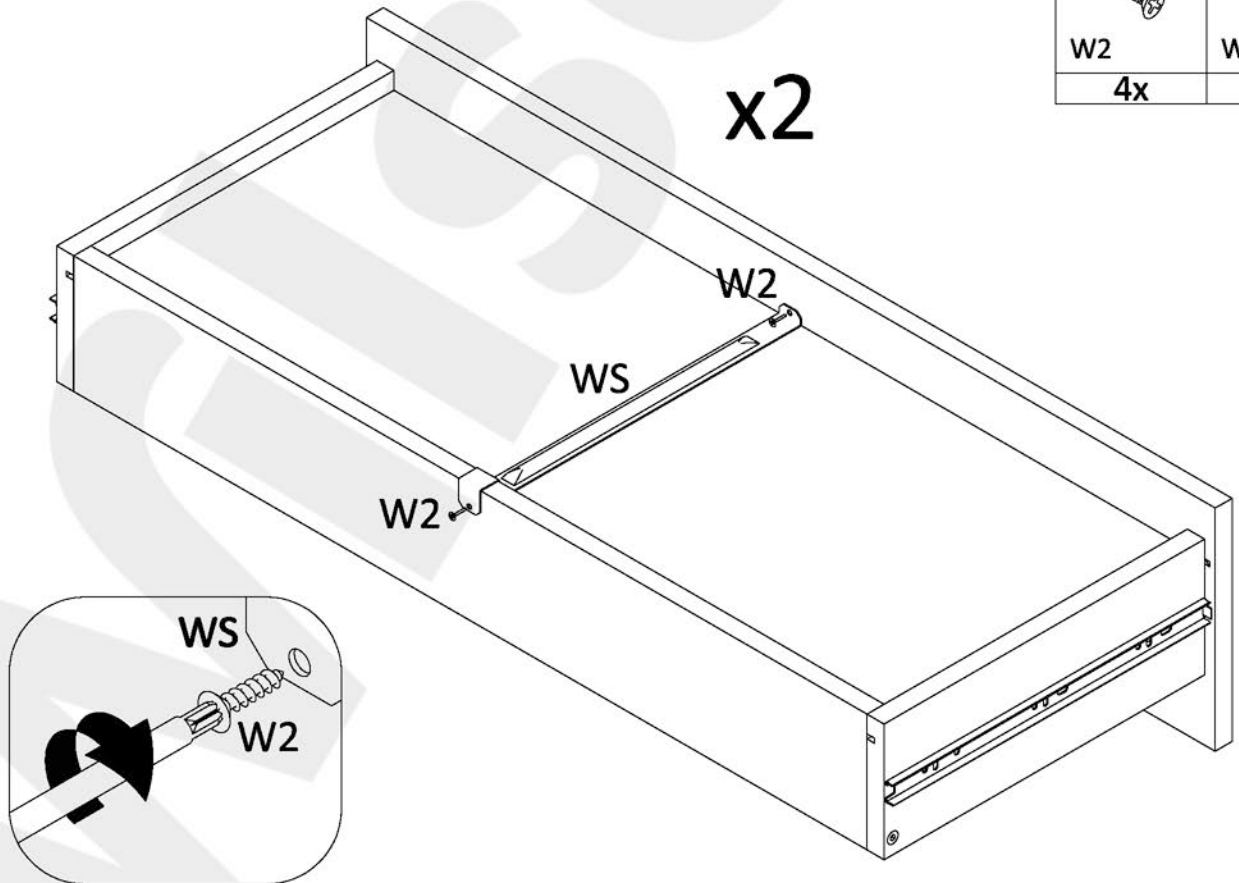
24





25

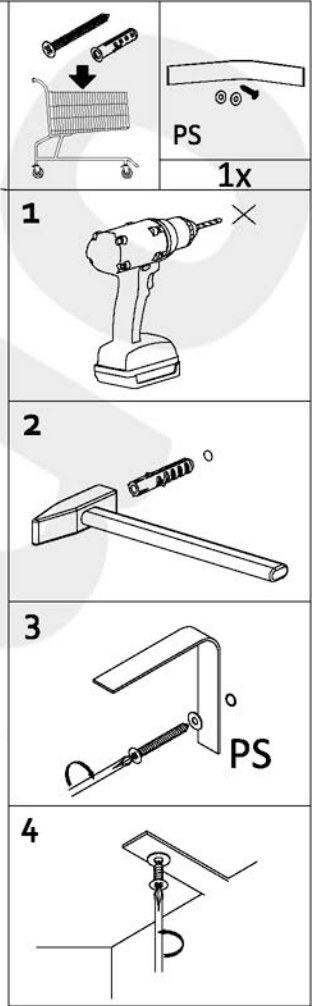
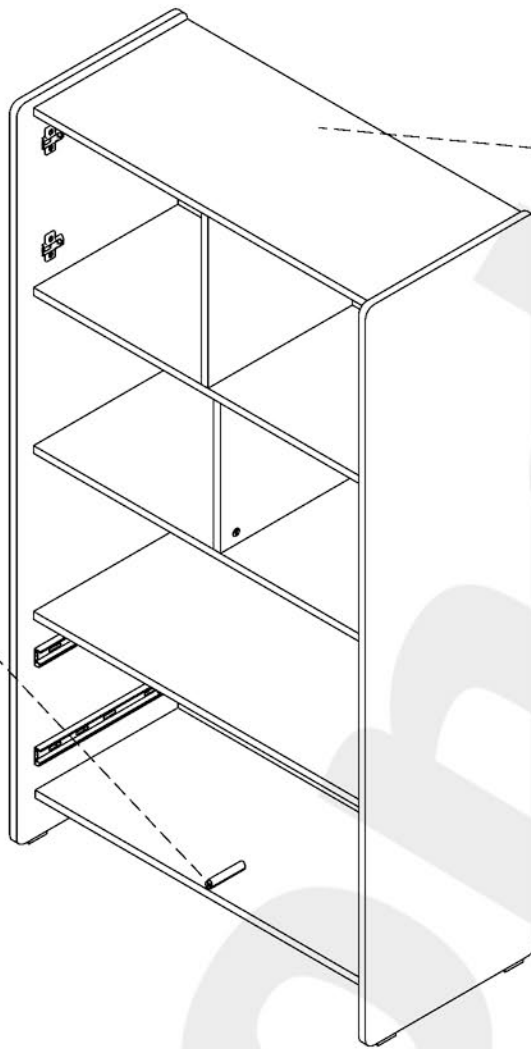
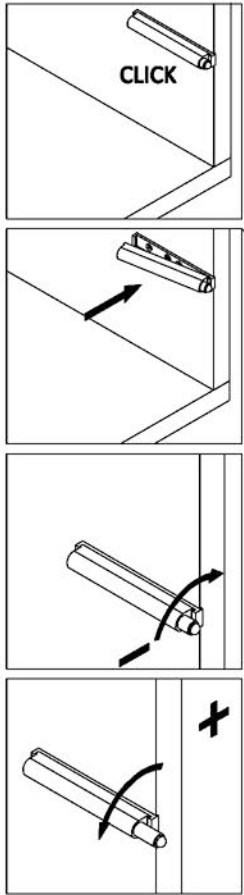


26

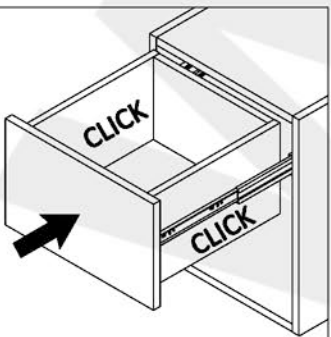
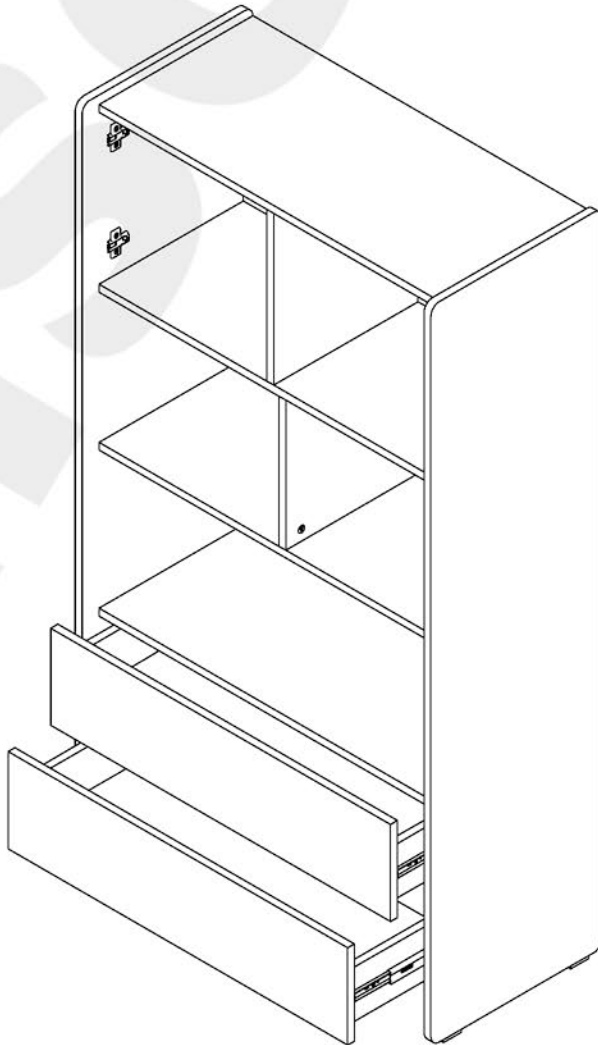
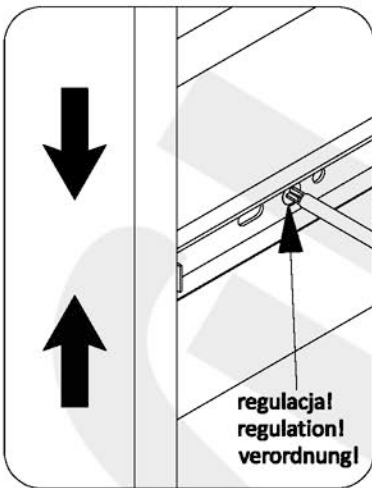


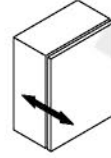
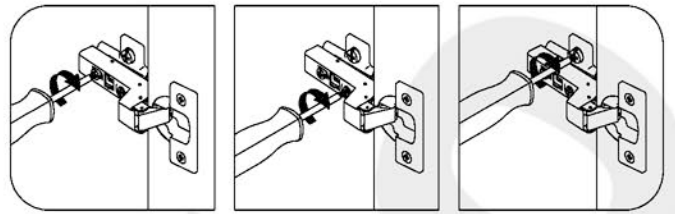
	
W2	WS
4x	2x

27

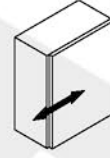


28

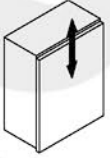




±2mm



±2mm



±2mm

