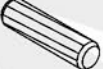


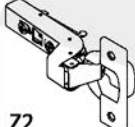









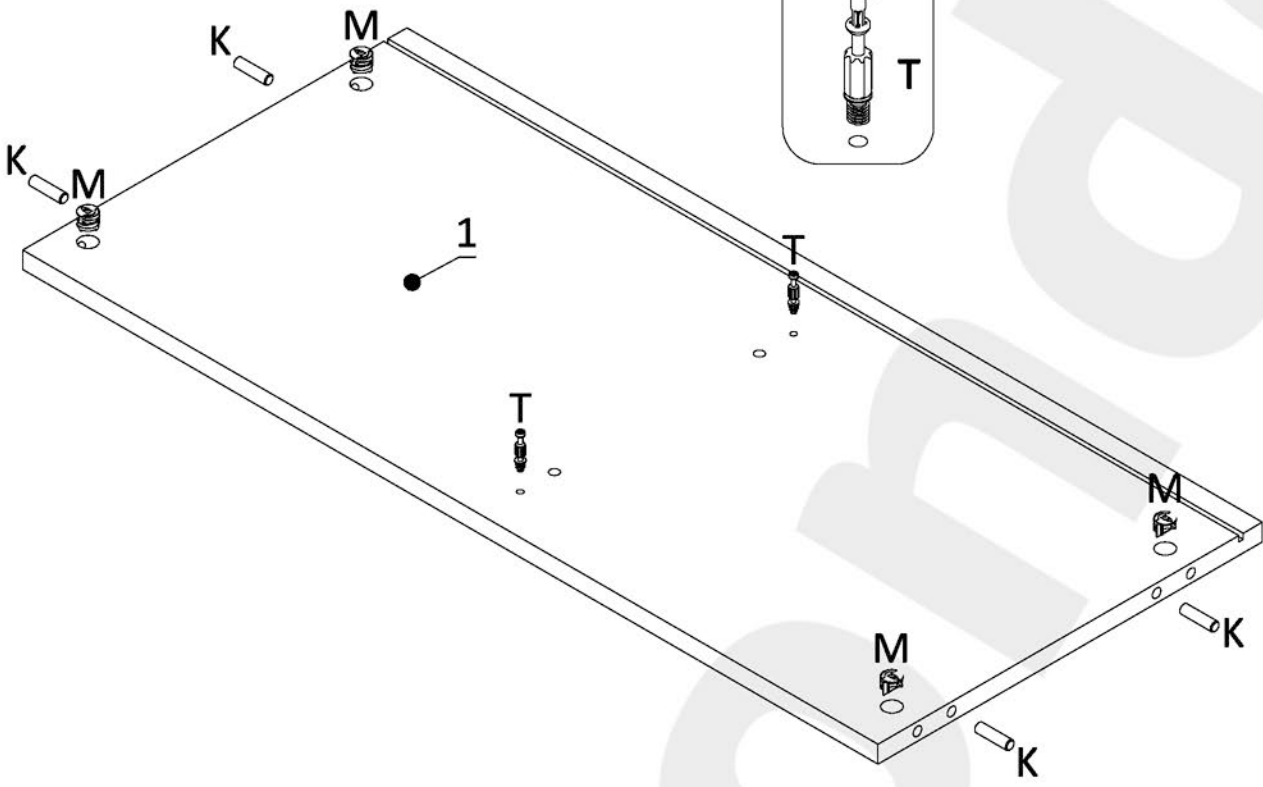


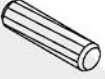
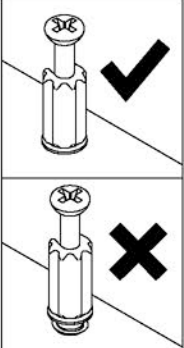
 PZ 6x	 8x30 K 24x	 15/12 M 20x	 L20,3 T 20x						
 Z2 6x	 4x16 W4 12x	 3x16 W2 19x	 ZM 20x	 P 8x	 SL 5x	 PM 19x	 2x20 G 7x	 S 8x	 PS 1x

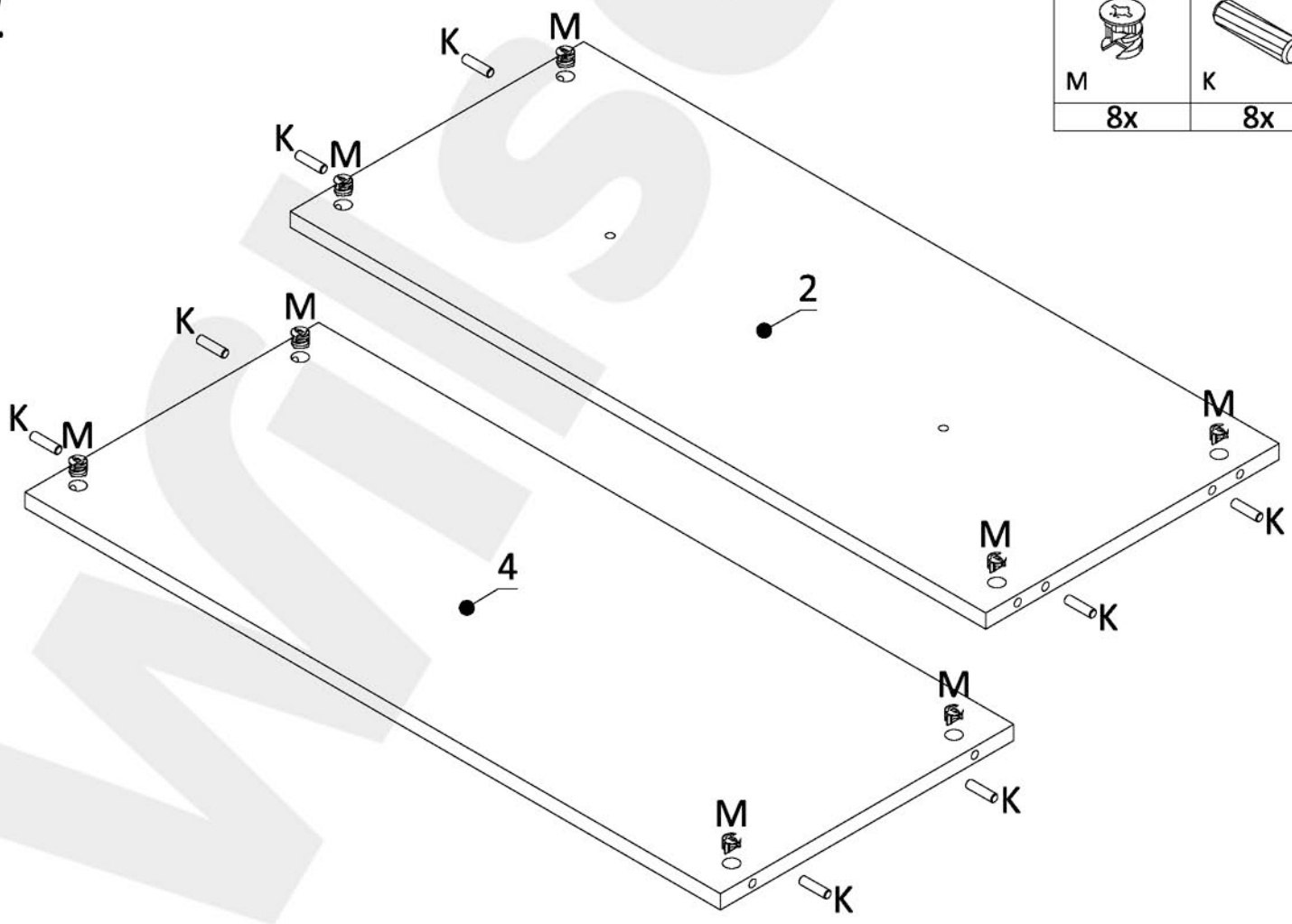
1


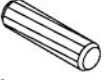


		
T	M	K
2x	4x	4x

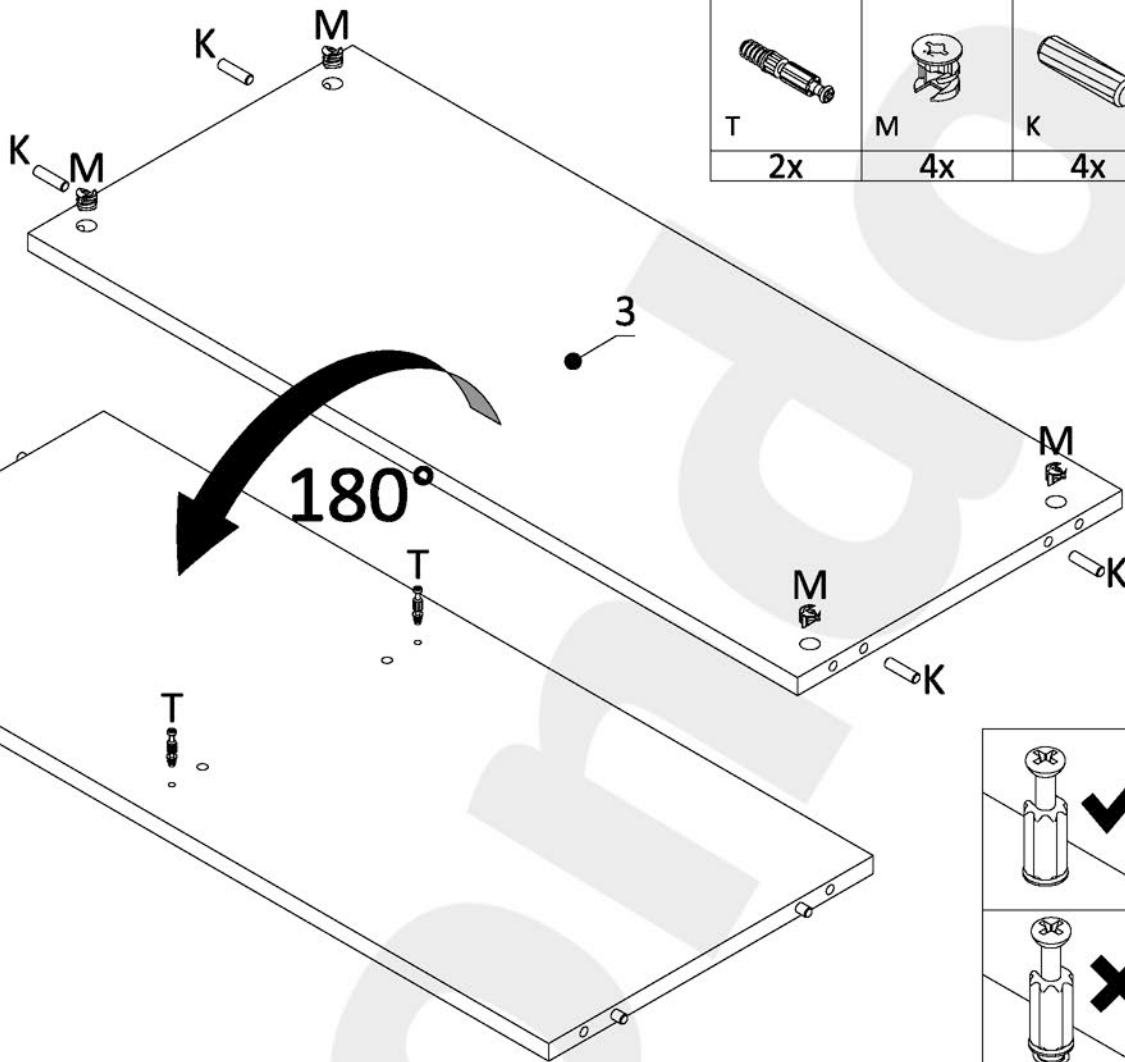
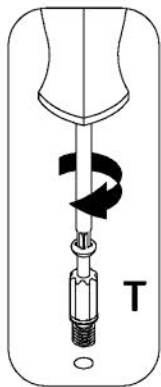


2

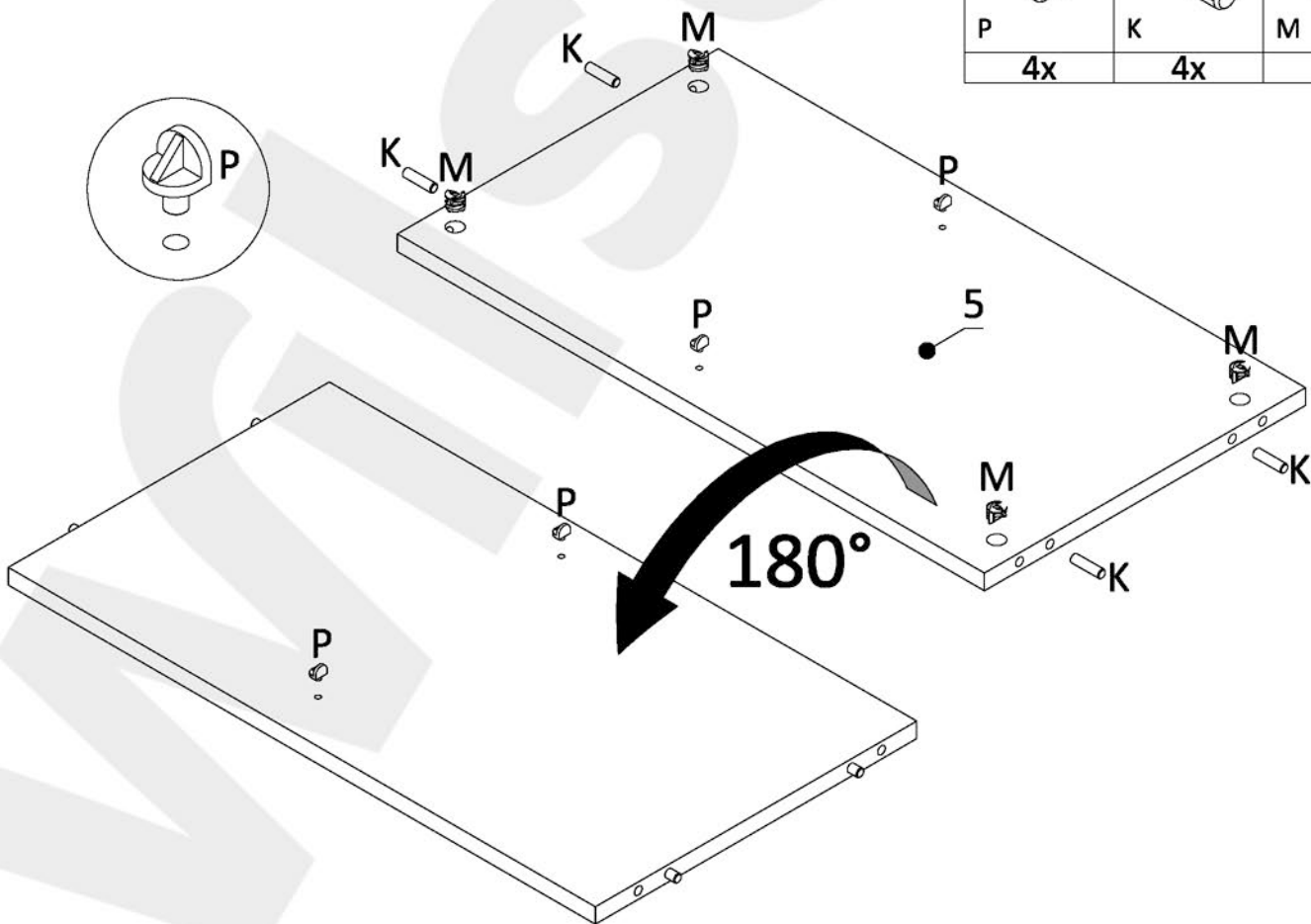
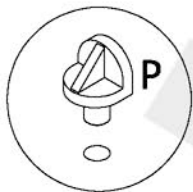


	
M	K
8x	8x



3

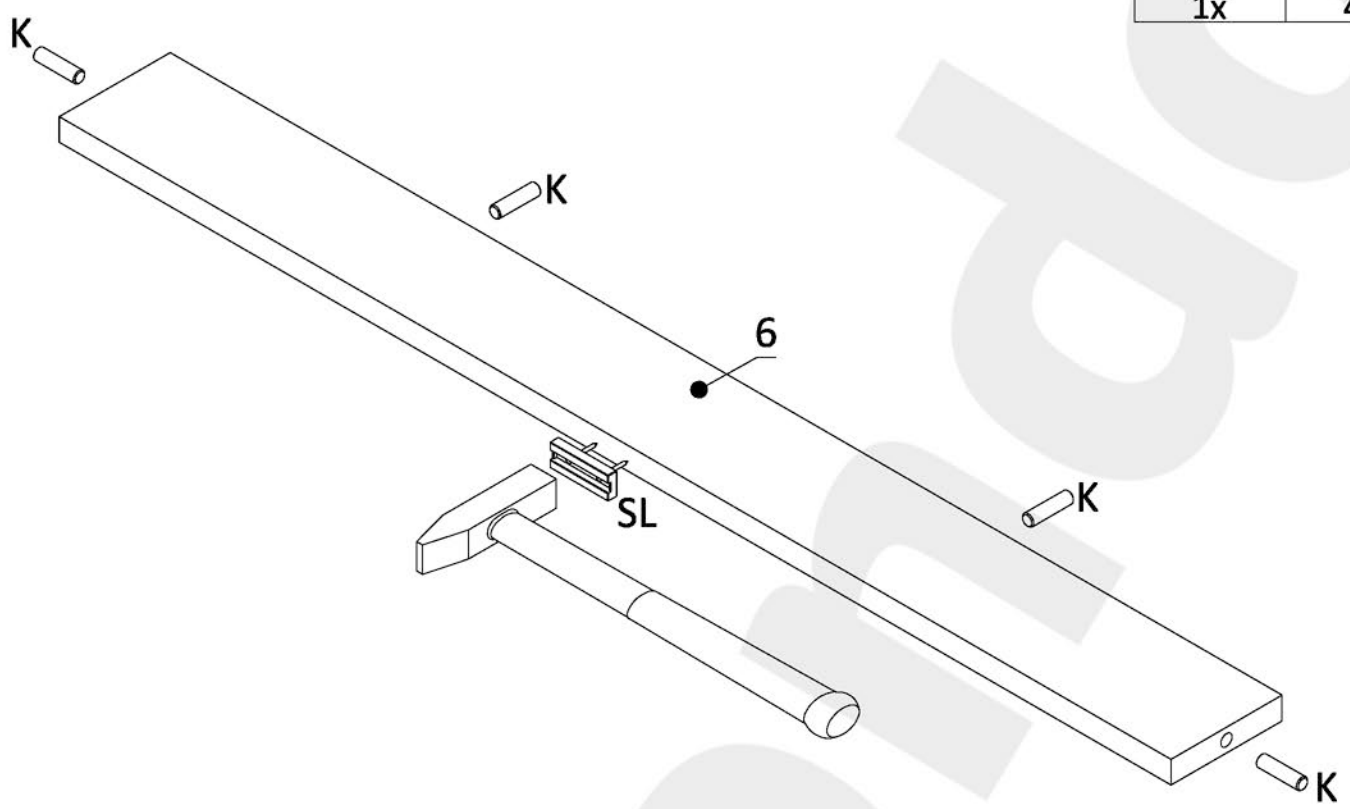


4







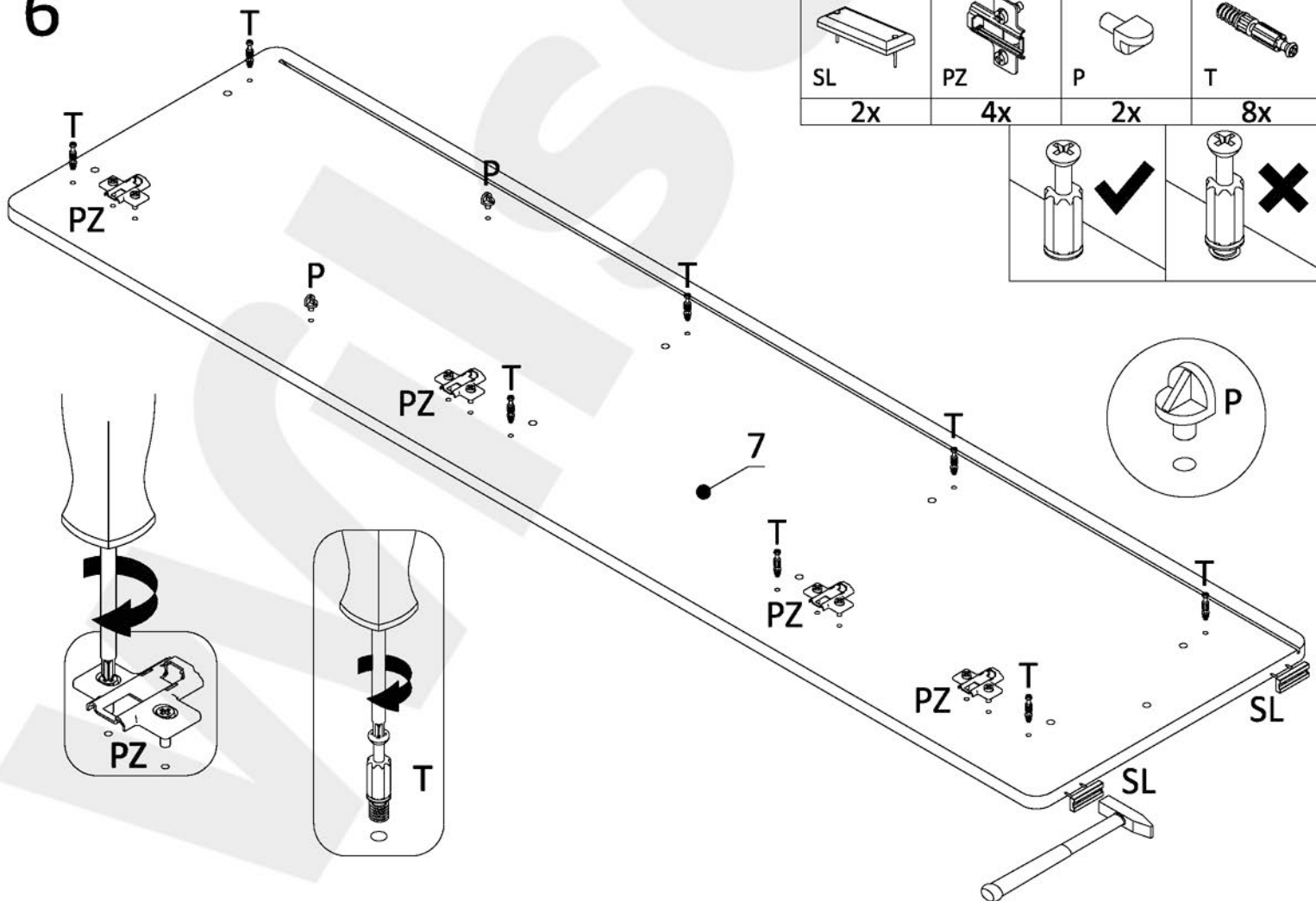
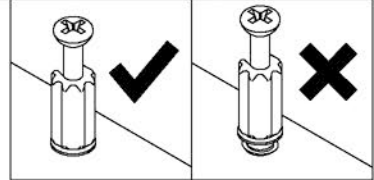
5

	
SL	K
1x	4x

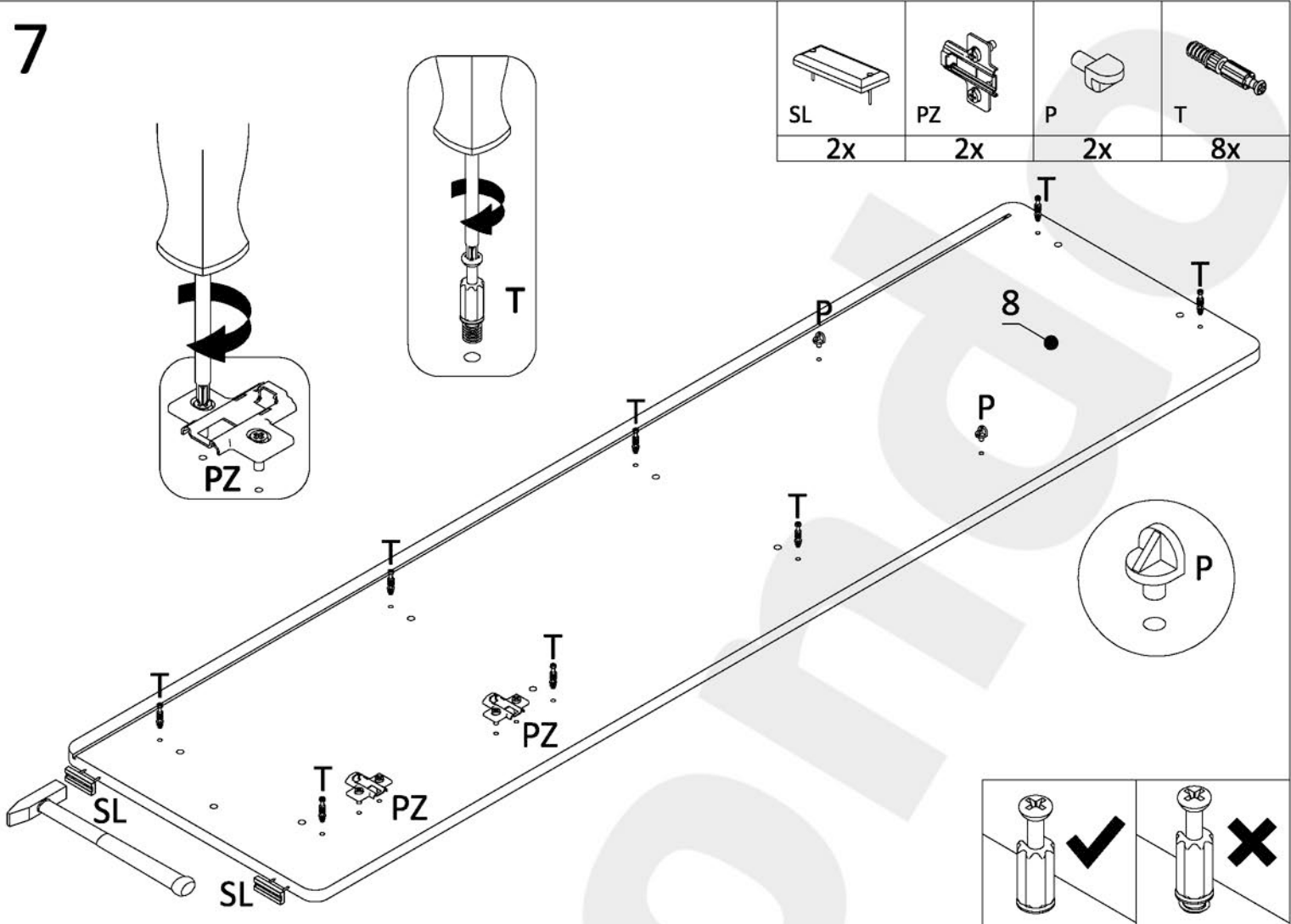


6

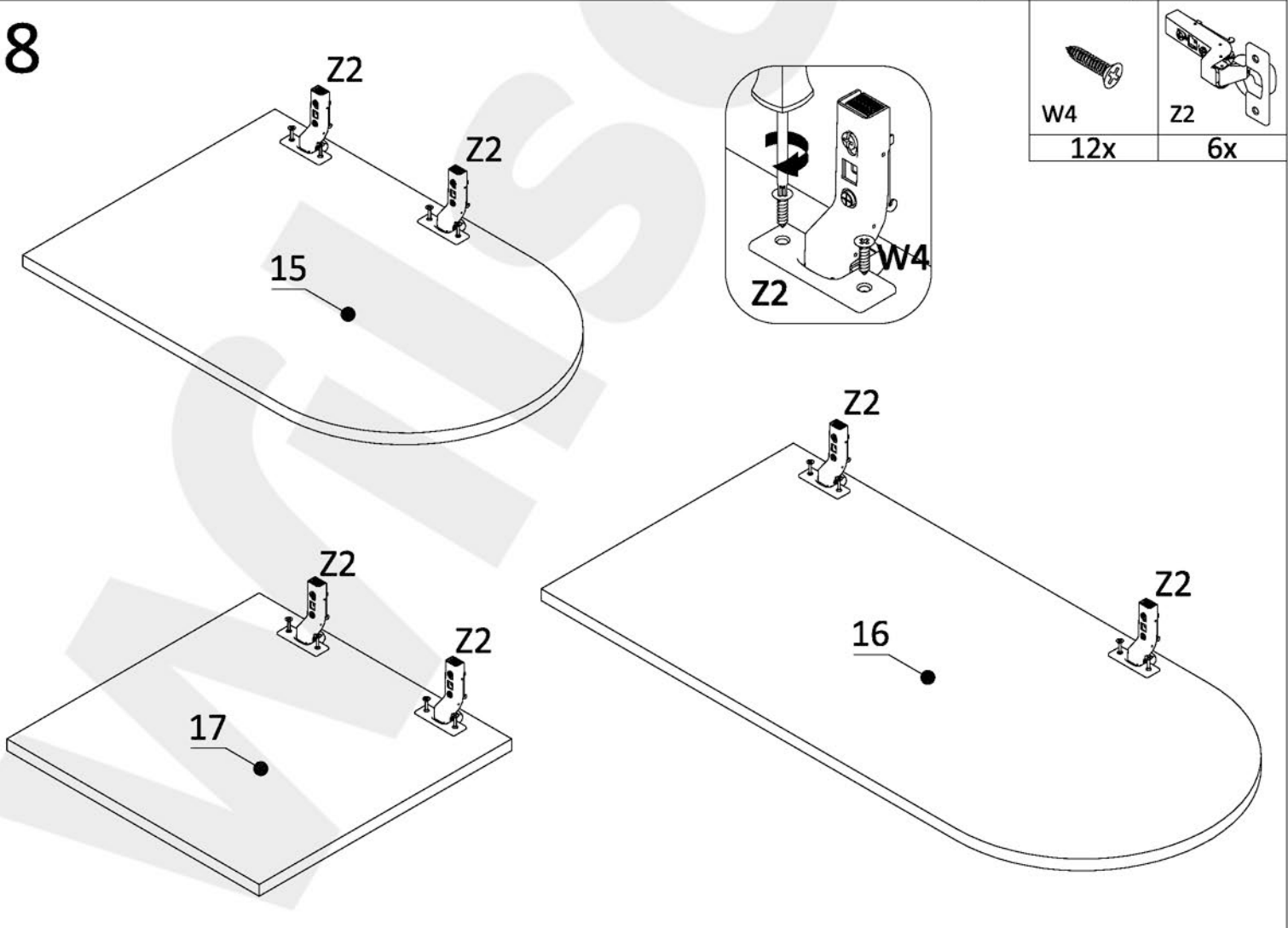
			
SL	PZ	P	T
2x	4x	2x	8x



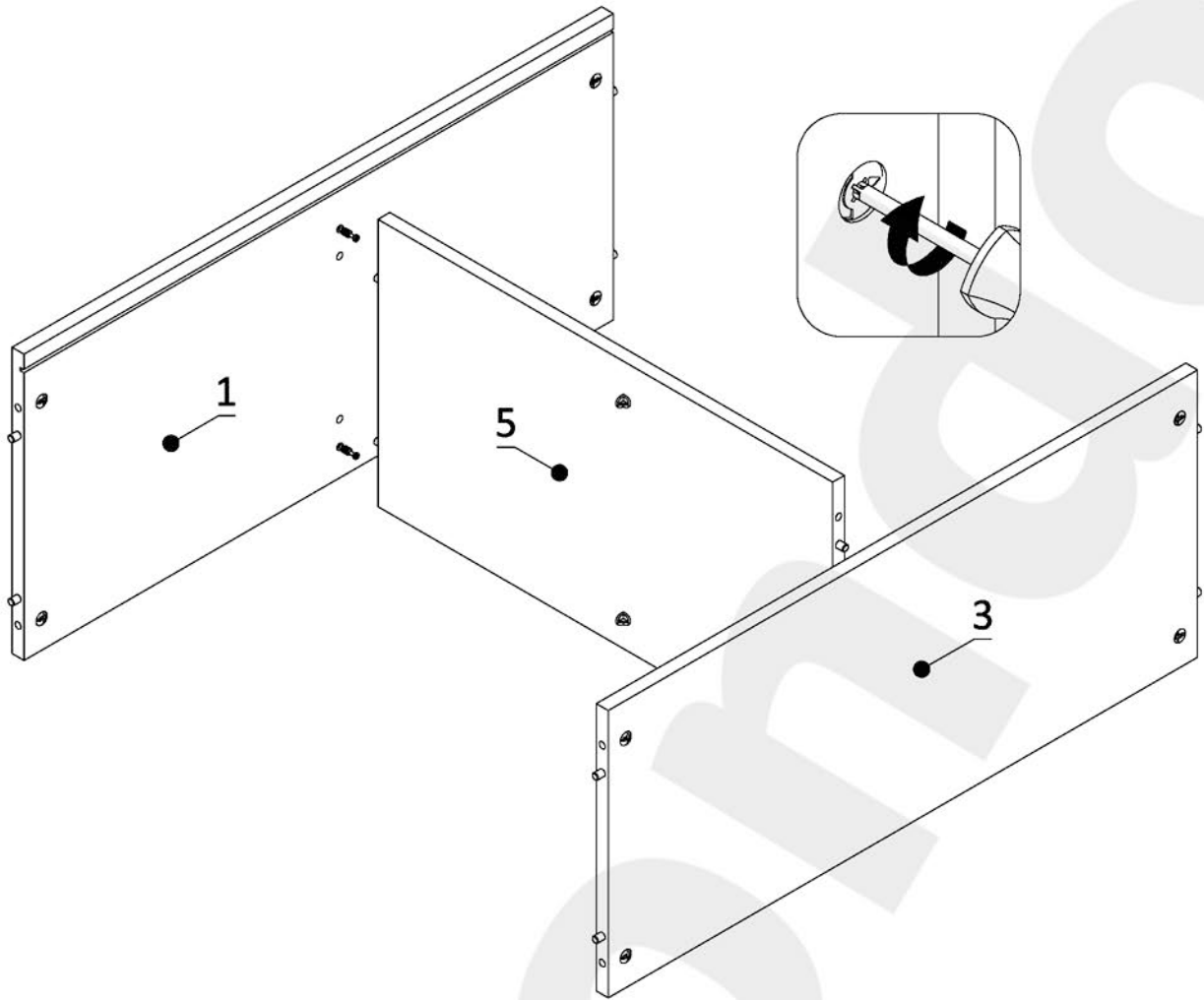
7



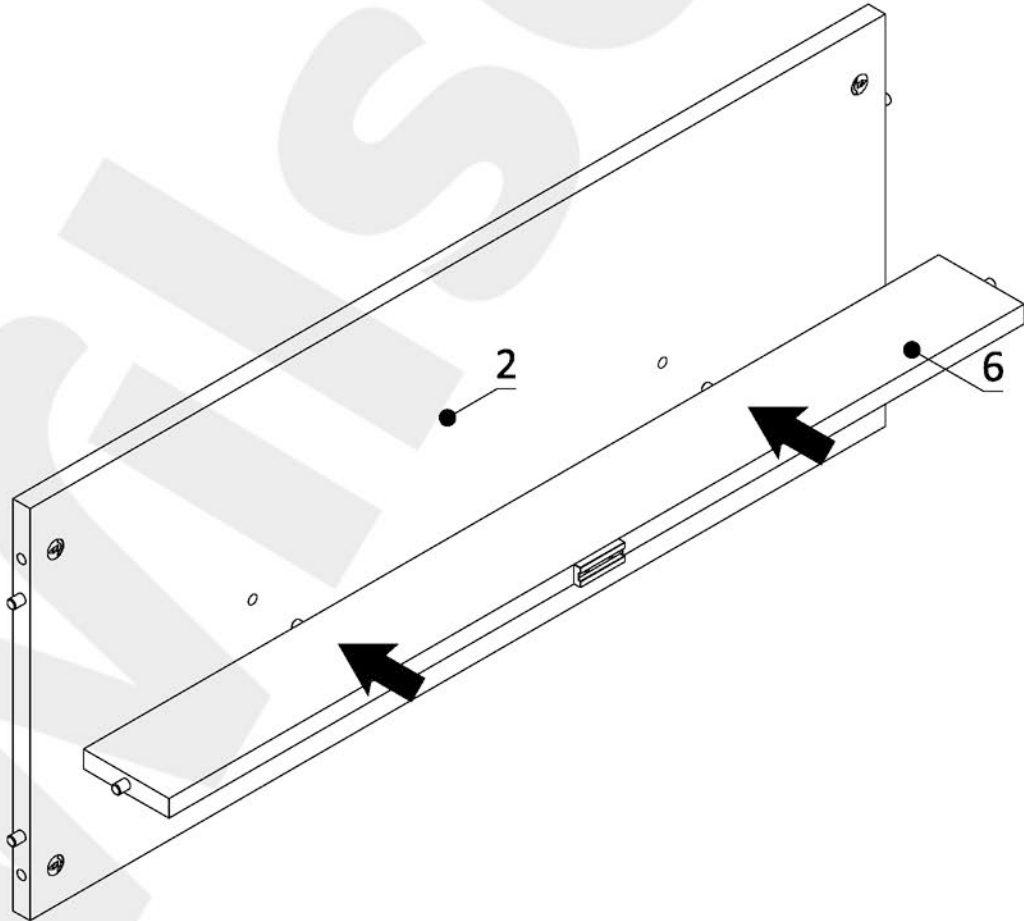
8



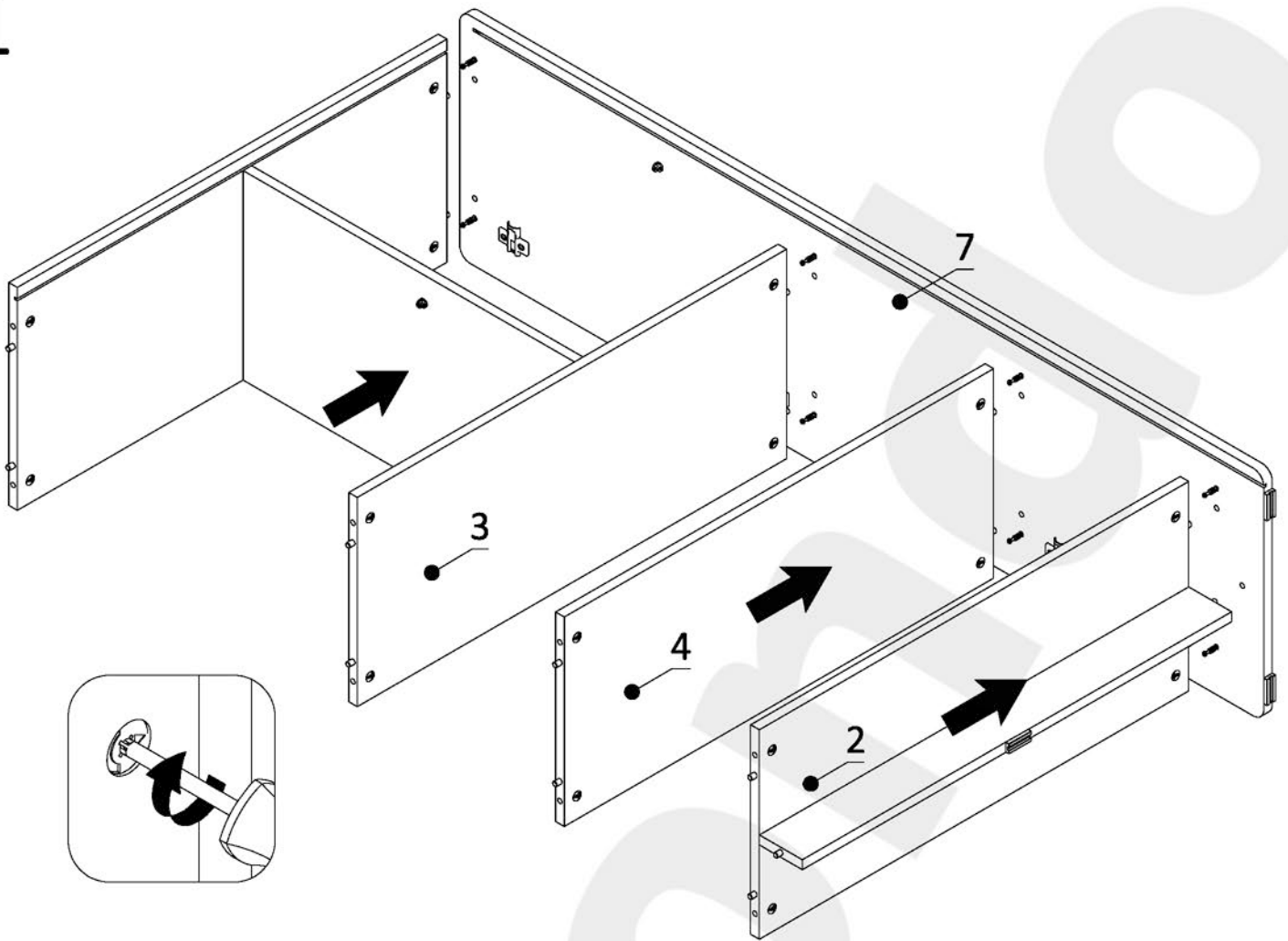
9



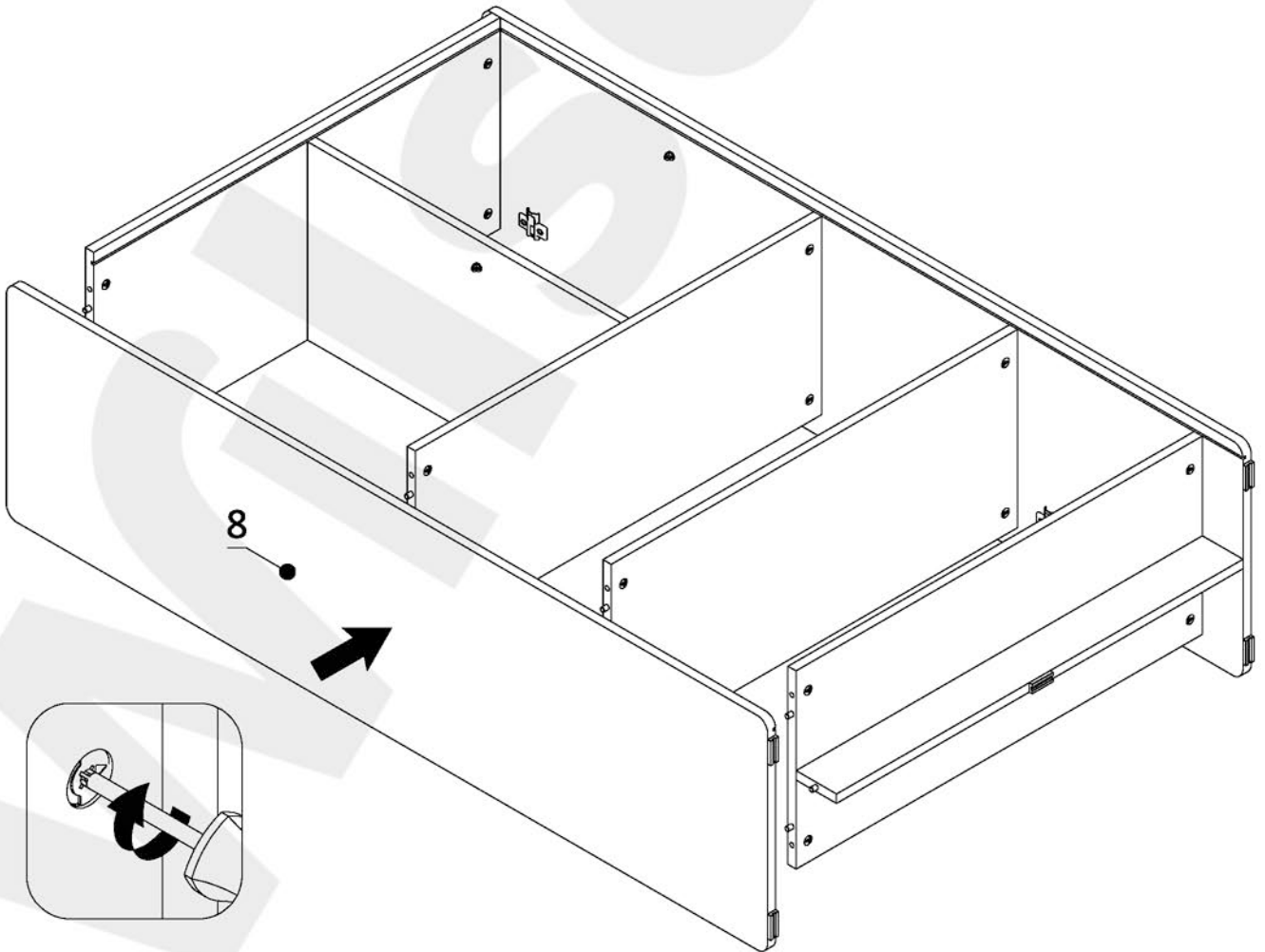
10



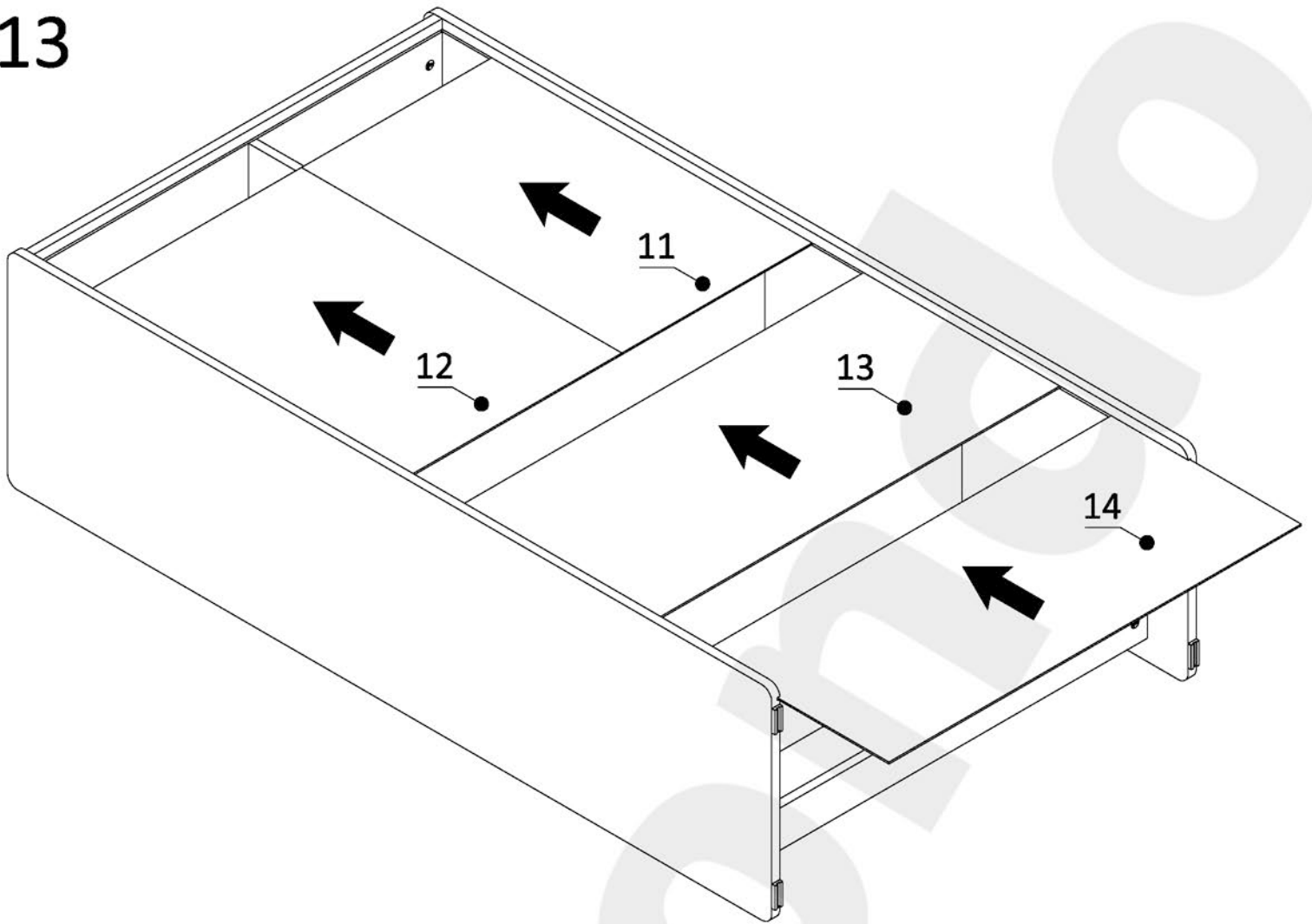
11



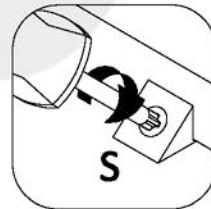
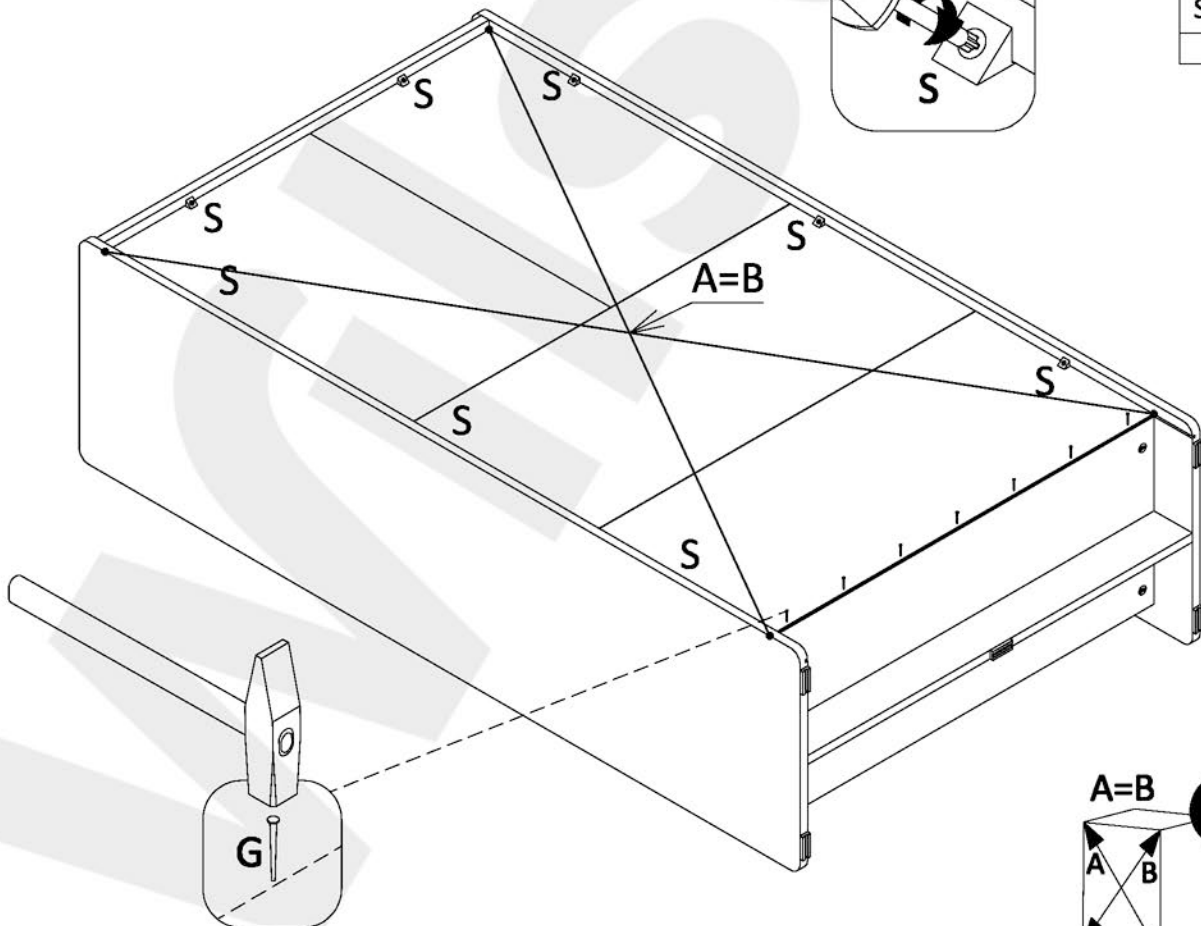
12





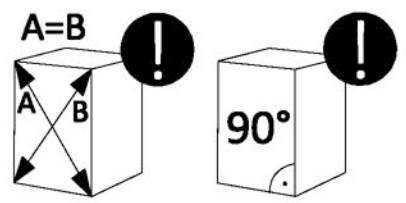
13



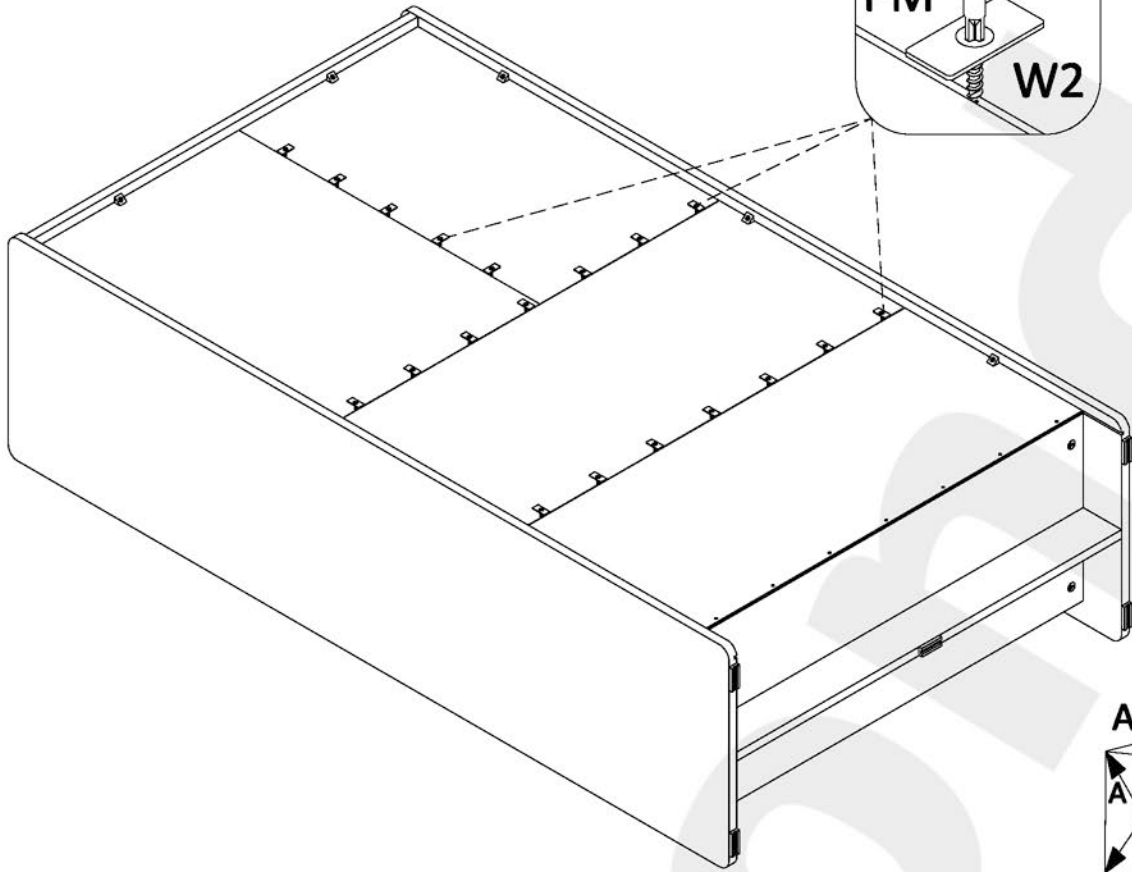
14





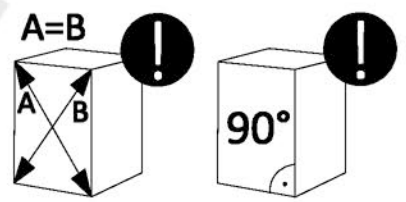
 S	 G
8x	7x



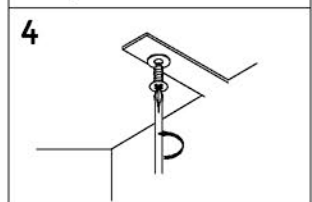
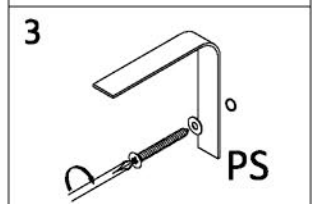
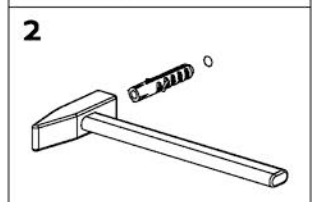
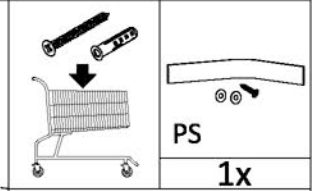
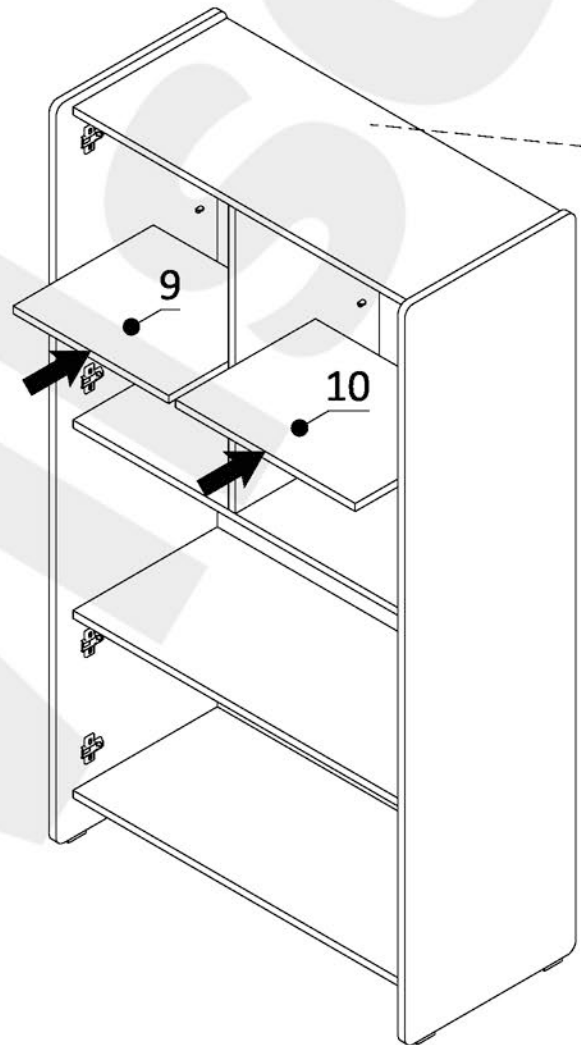
15

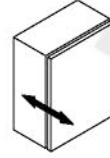
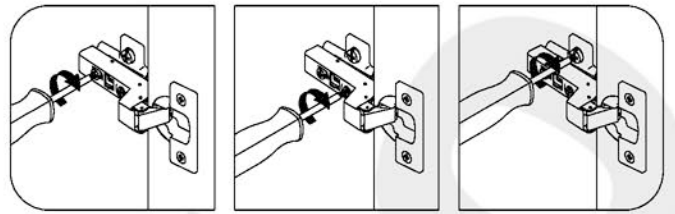


	
PM	W2
19x	19x

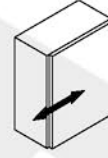


16

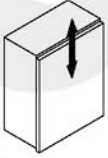




±2mm



±2mm



±2mm

