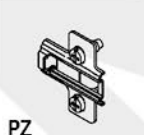
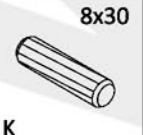





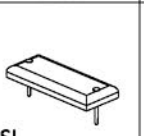
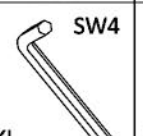
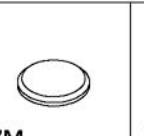
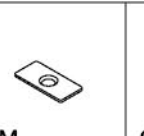
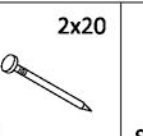
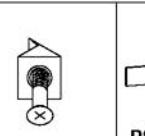
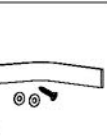
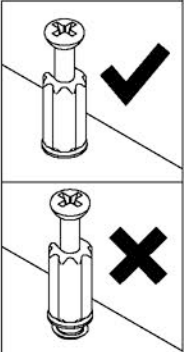
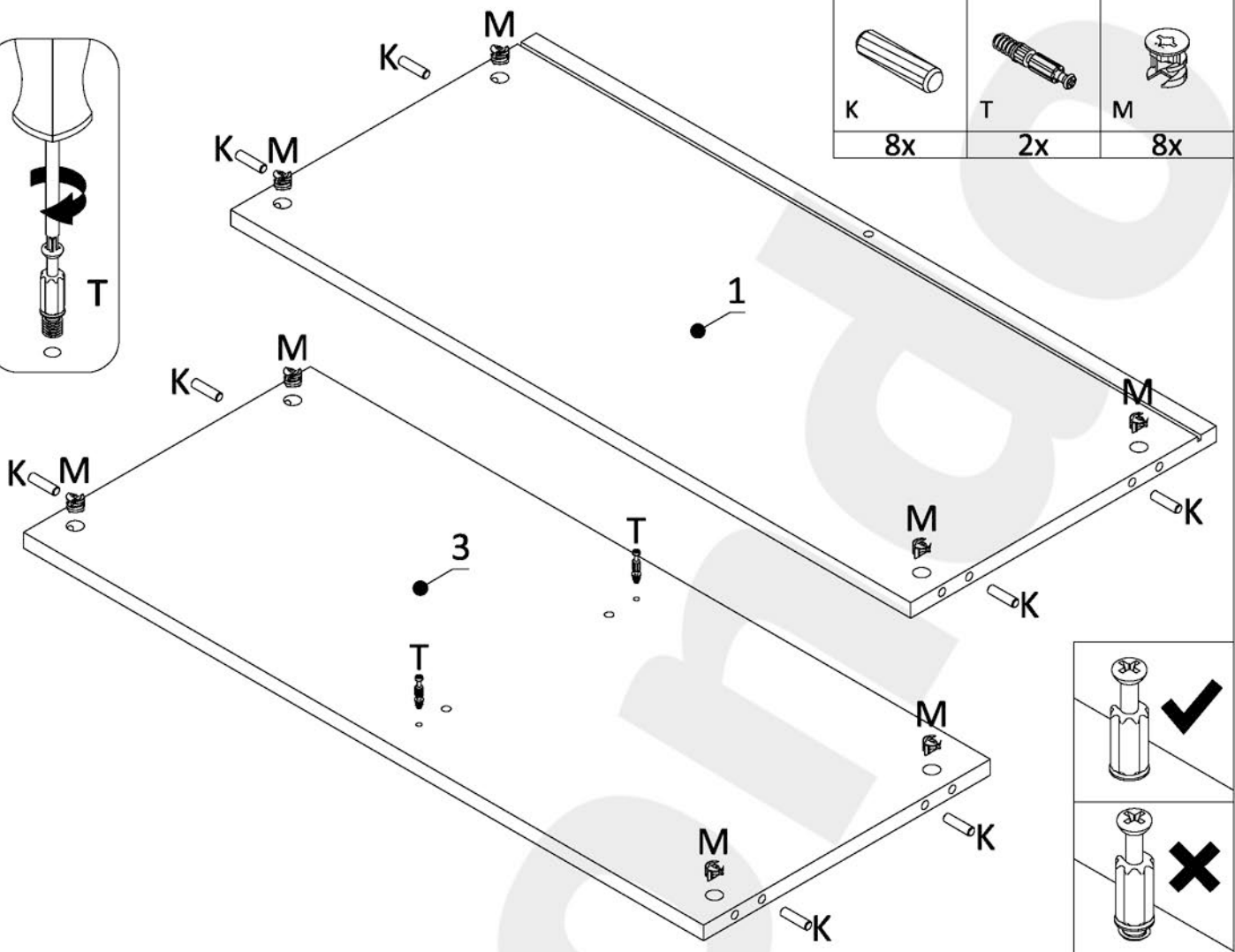
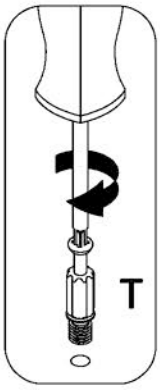
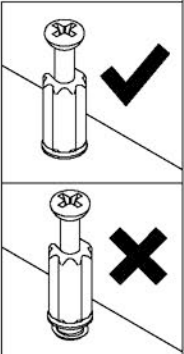
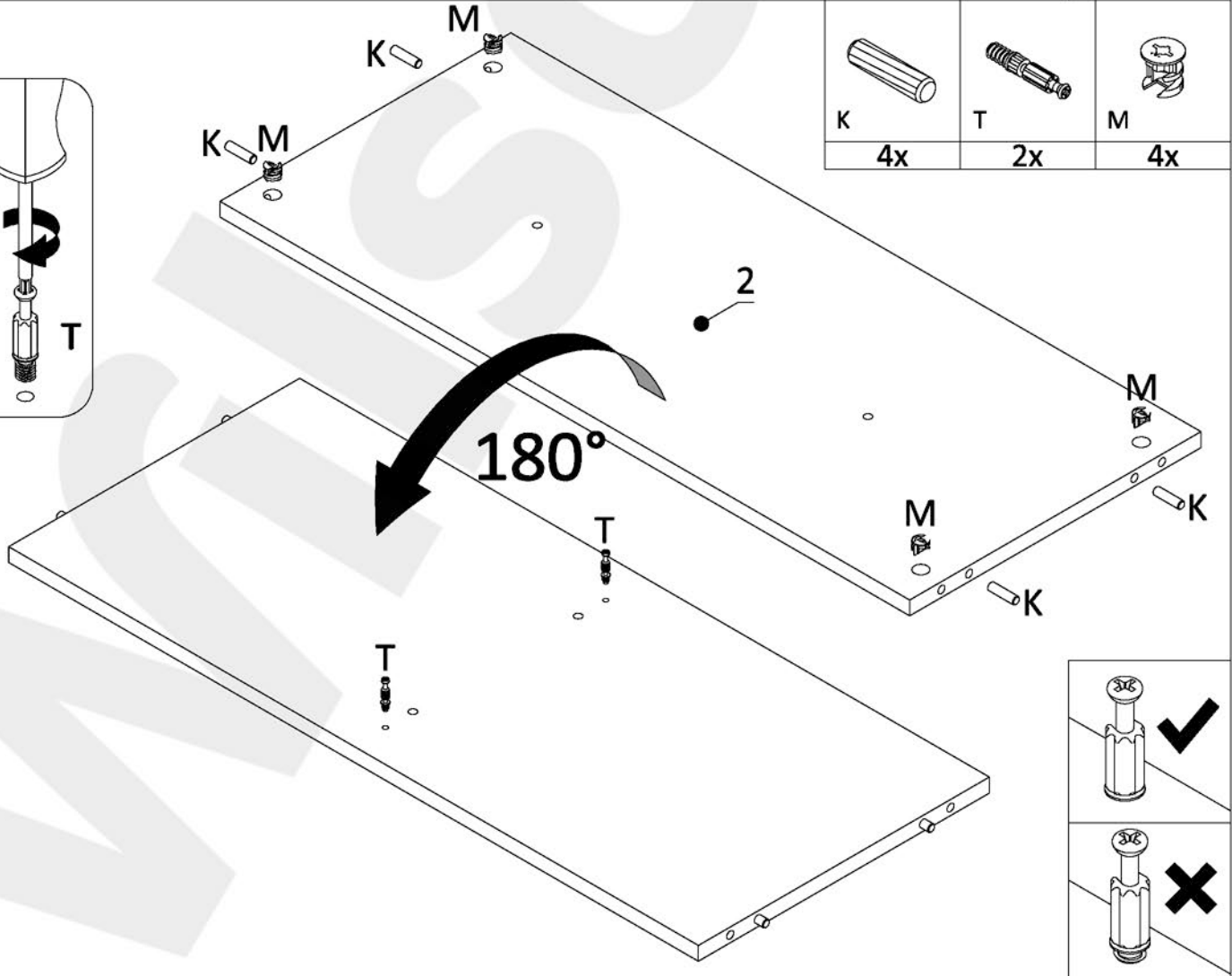
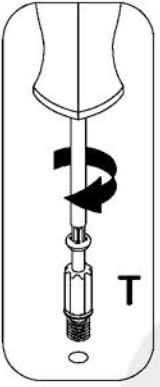
 Z2	 PZ	 8x30 K	 15/12 M	 L20,3 T					
4x	4x	32x	26x	26x					
 KF	 7x50 W2	 3x16 W4	 4x16 SL	 SW4 KL	 ZM	 PM	 2x20 G	 S	 PS
1x	14x	8x	5x	1x	26x	14x	7x	8x	1x

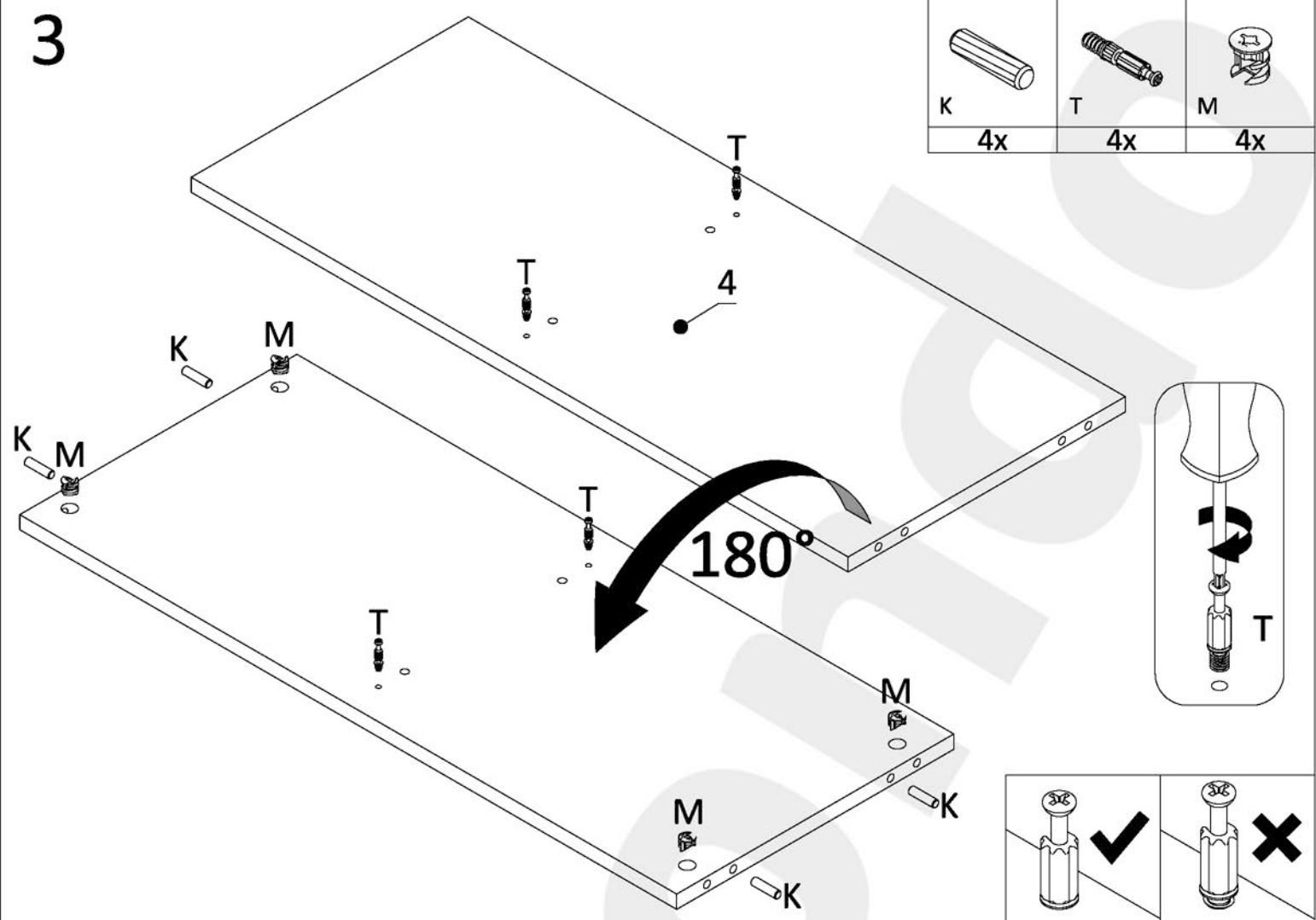
1



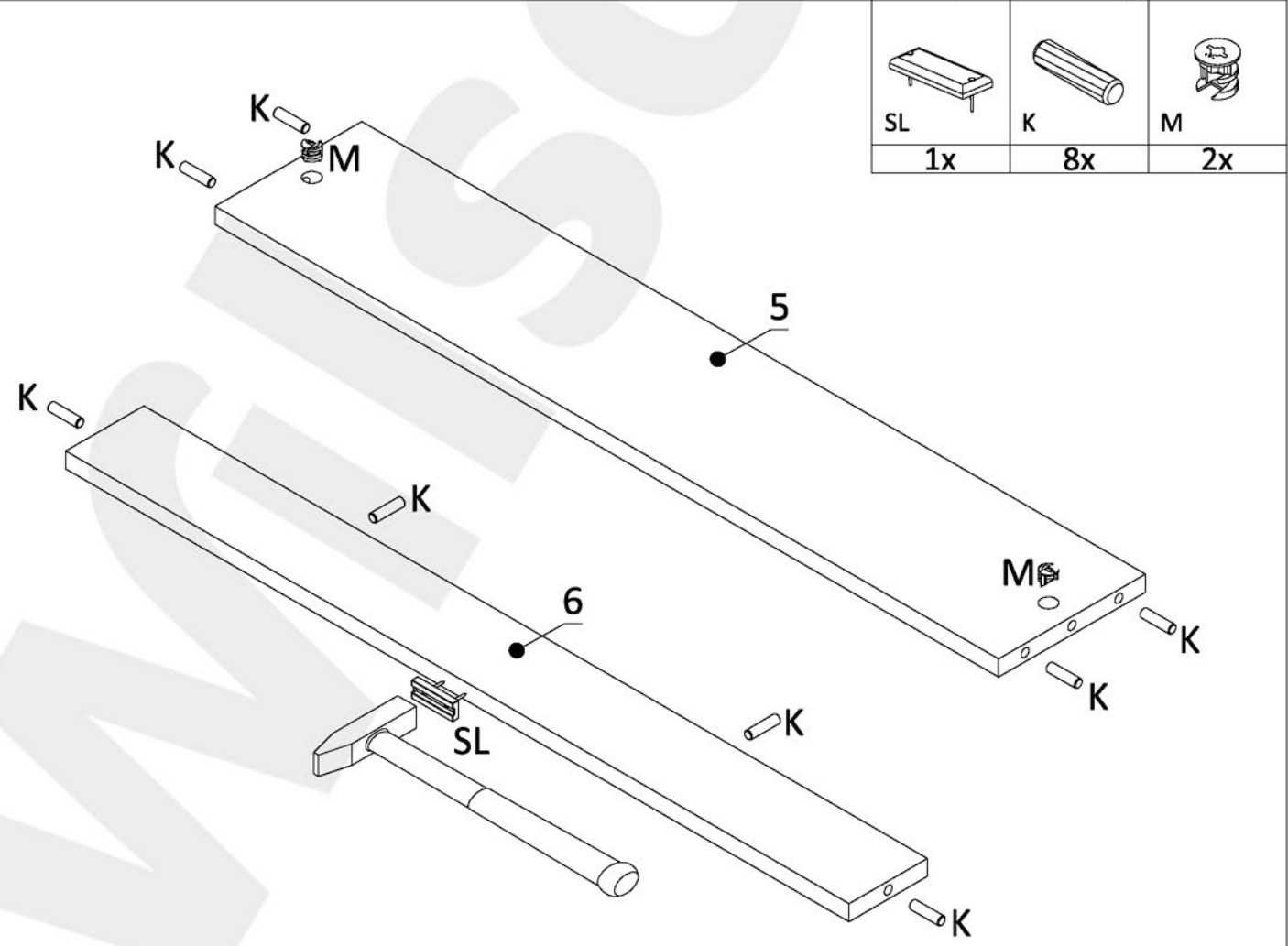
2



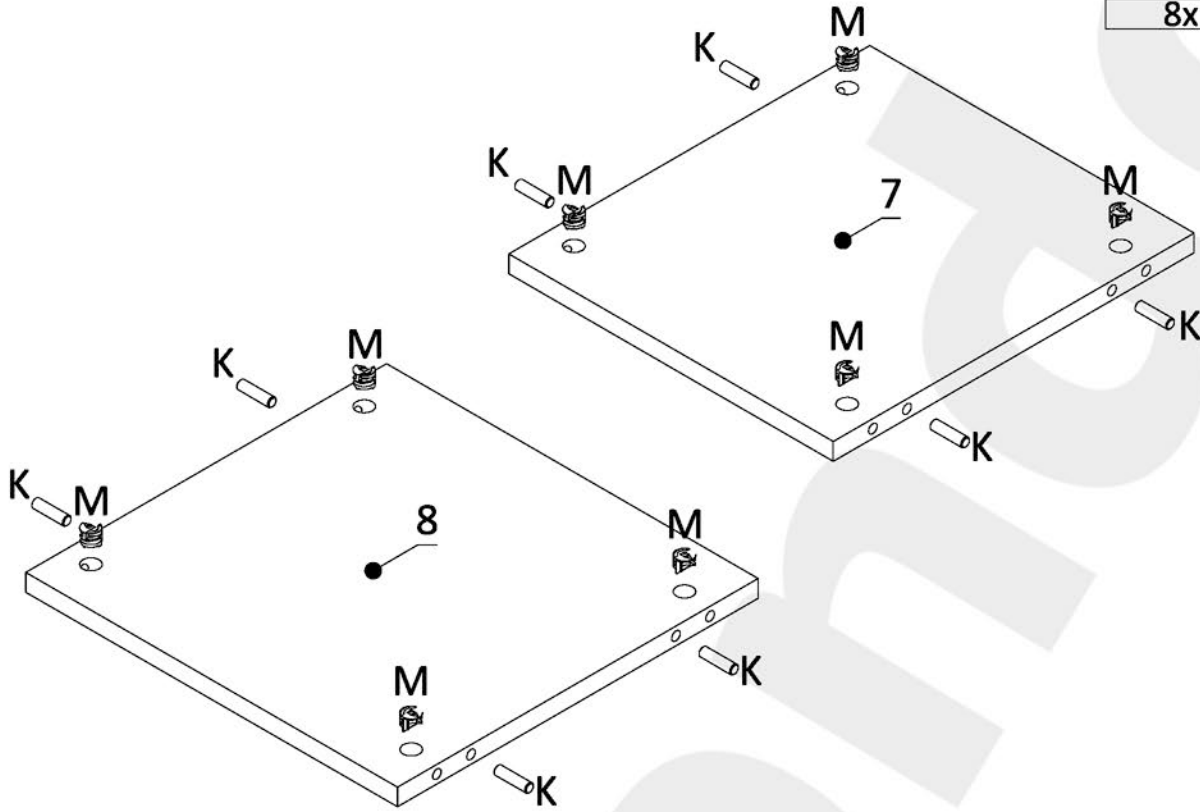
3





4

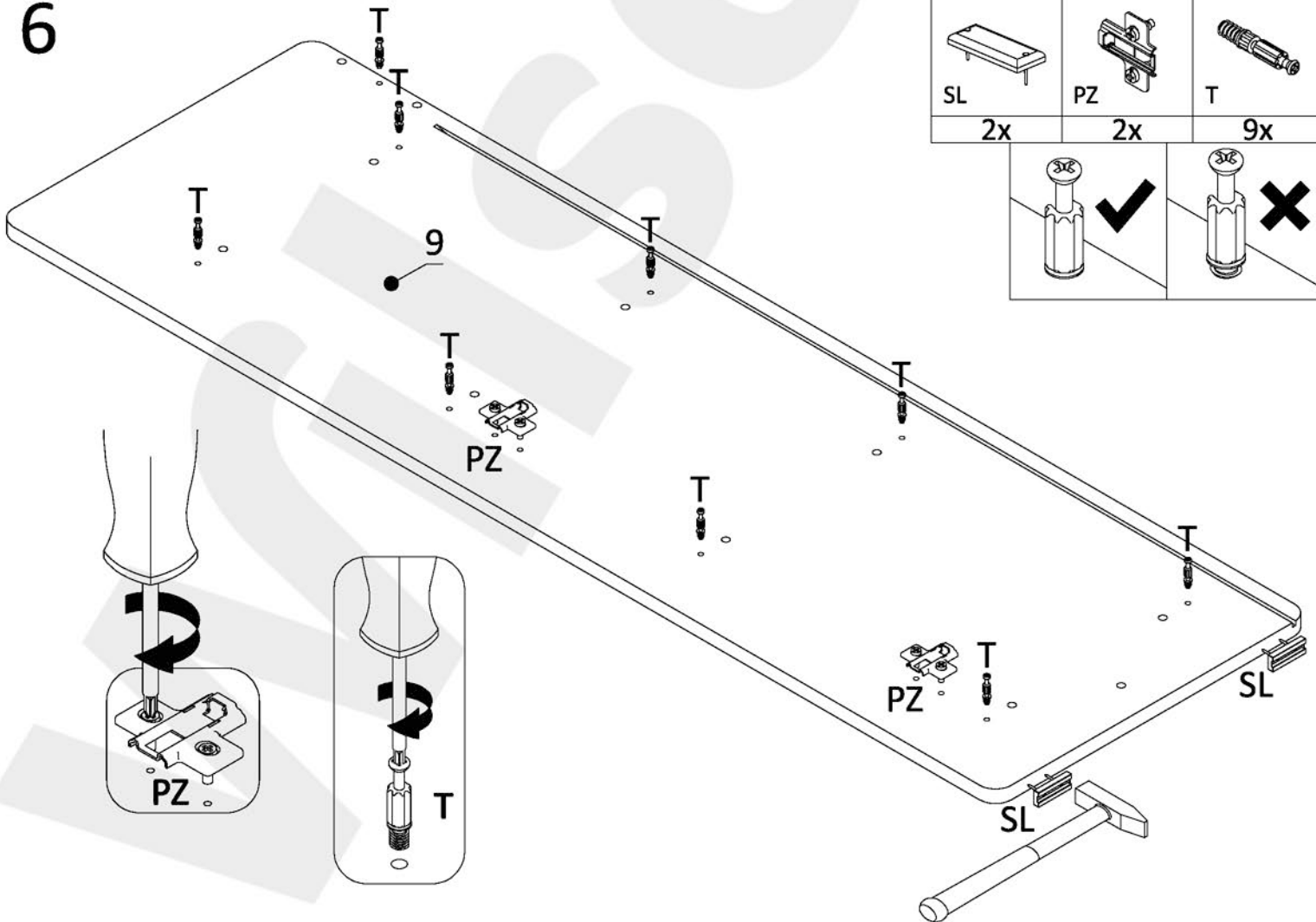





5





 M	 K
8x	8x

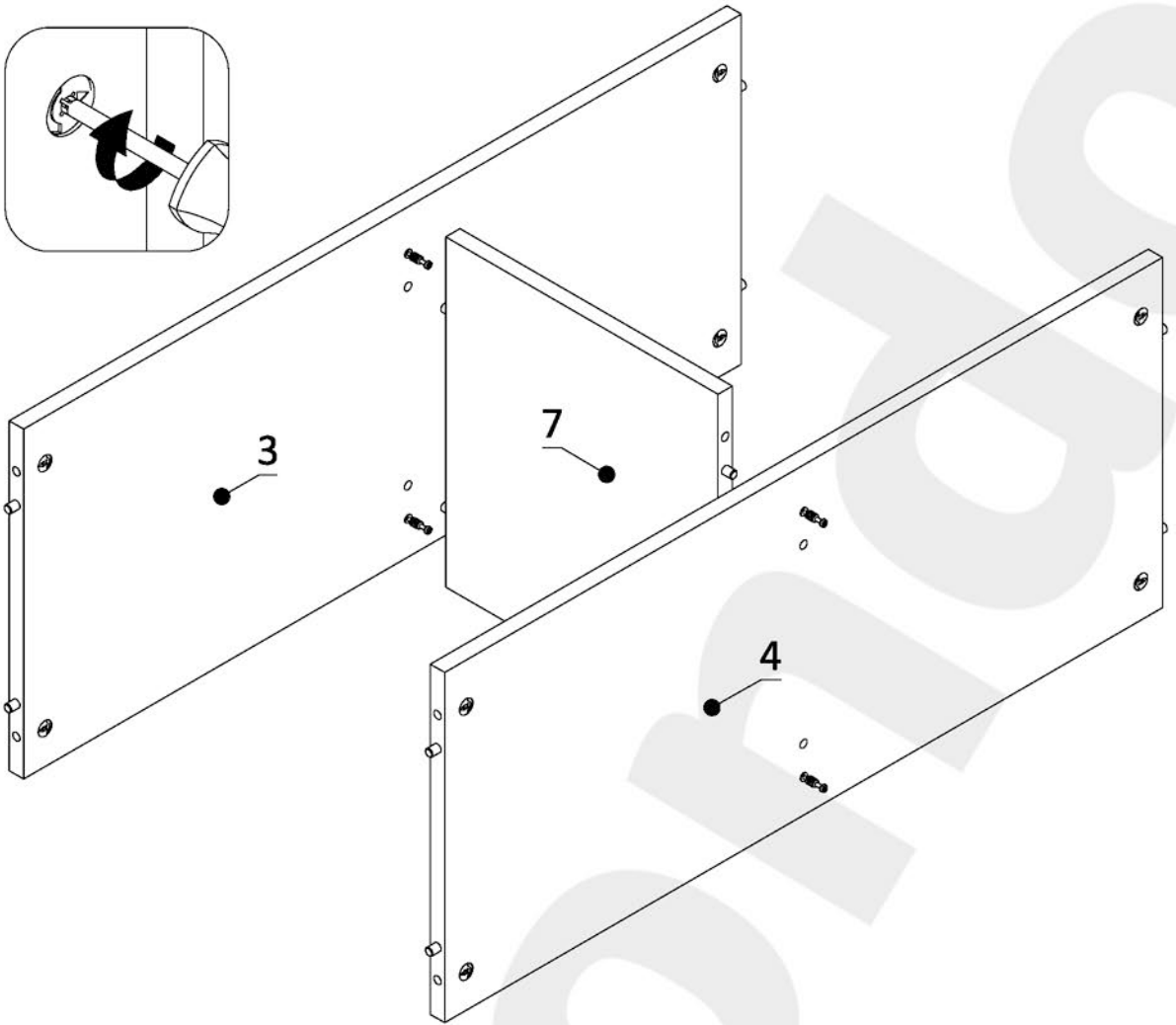
6



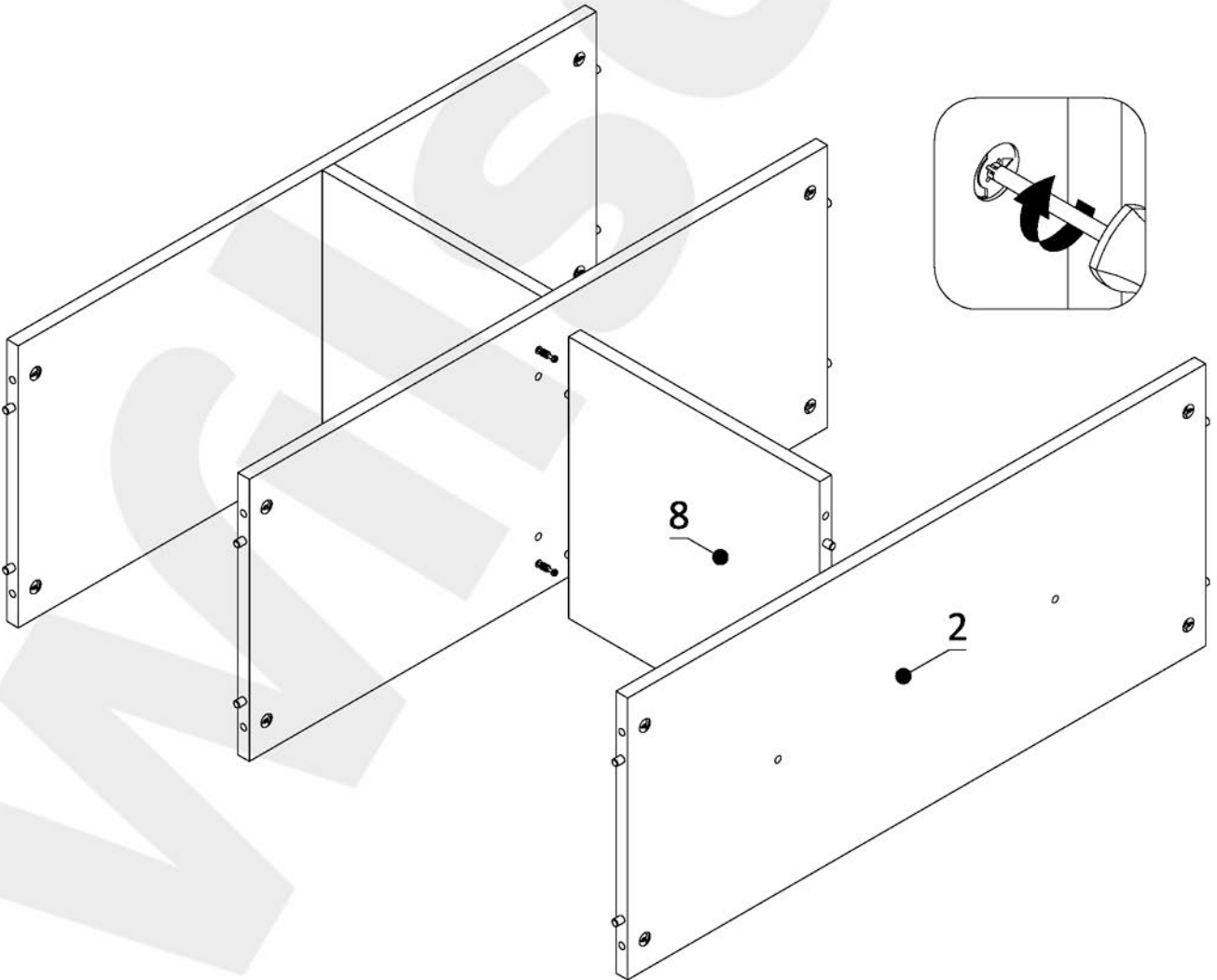
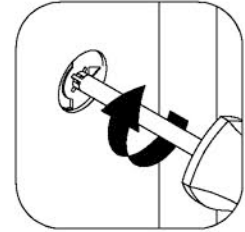
 SL	 PZ	 T
2x	2x	9x

	✓		✗
---------------------------------------------------------------------------------------	---	---------------------------------------------------------------------------------------	---

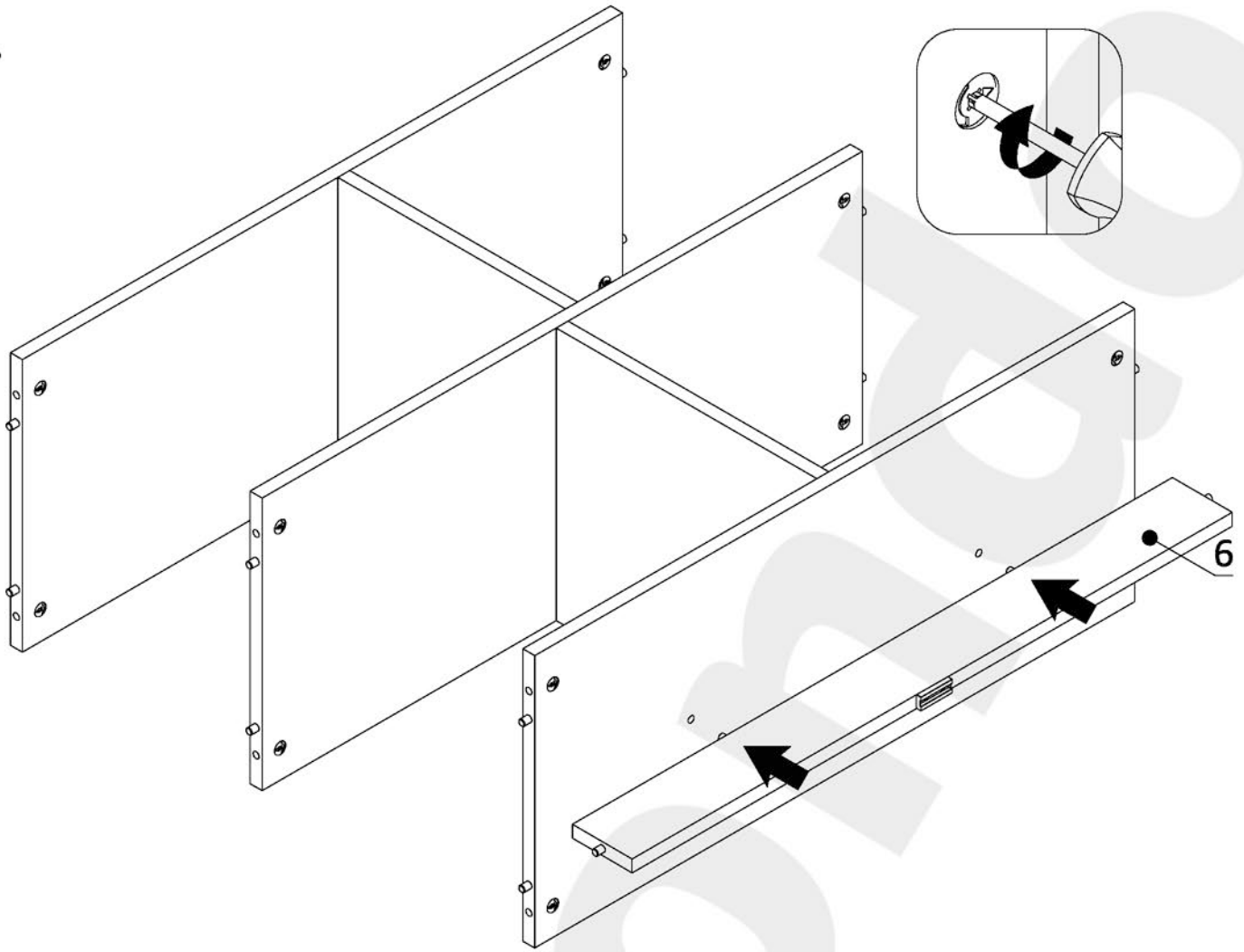
9



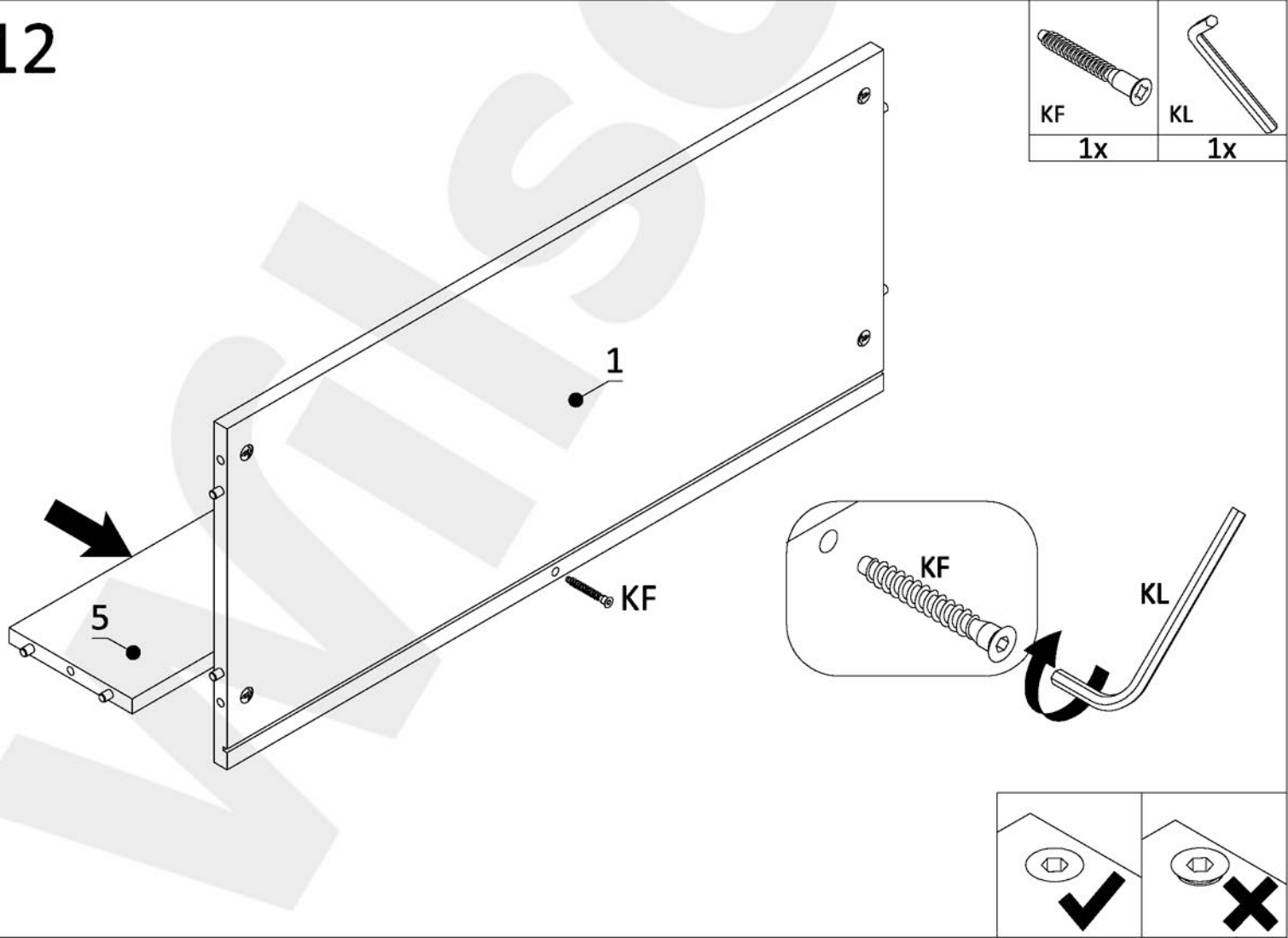
10



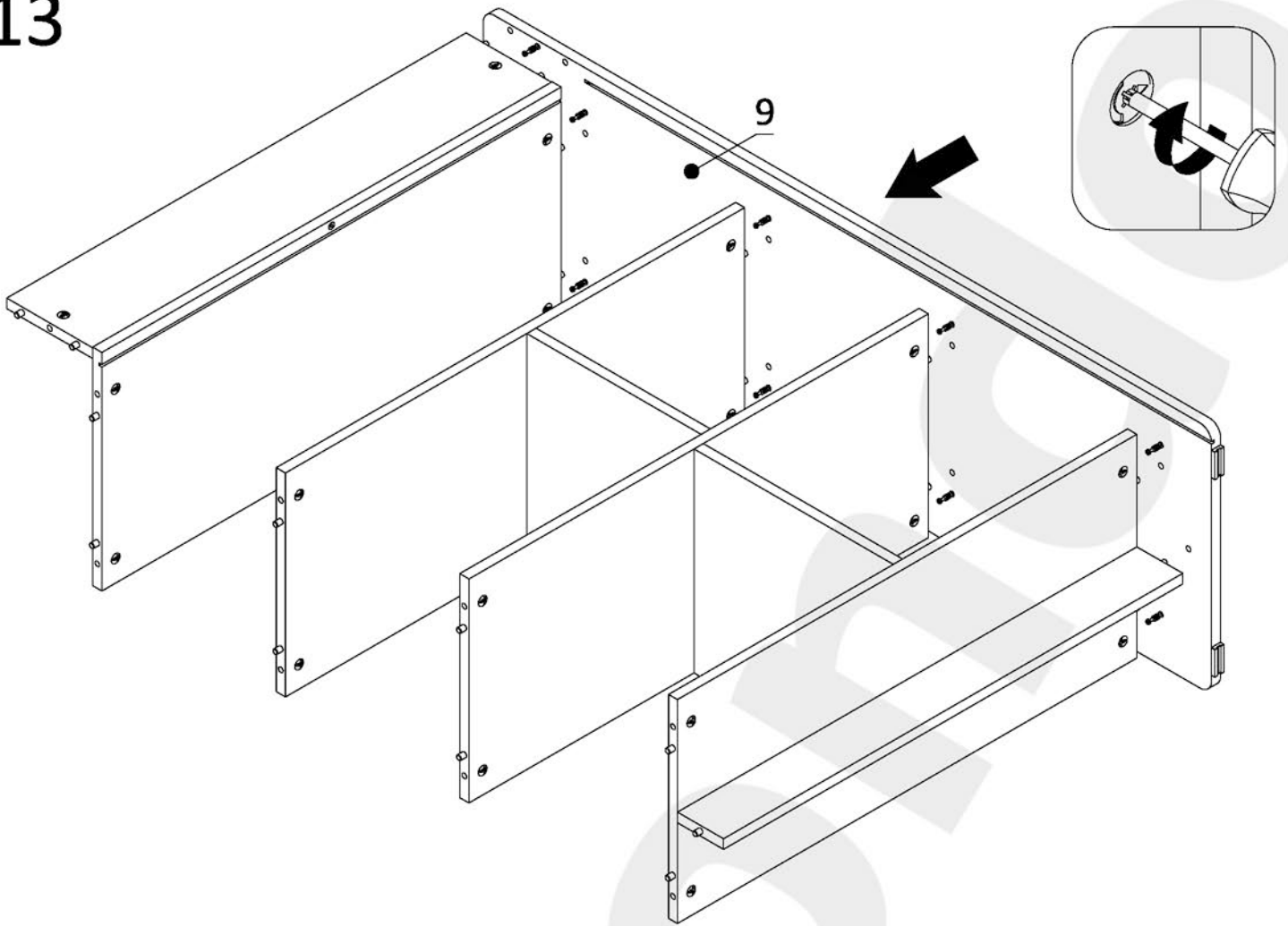
11



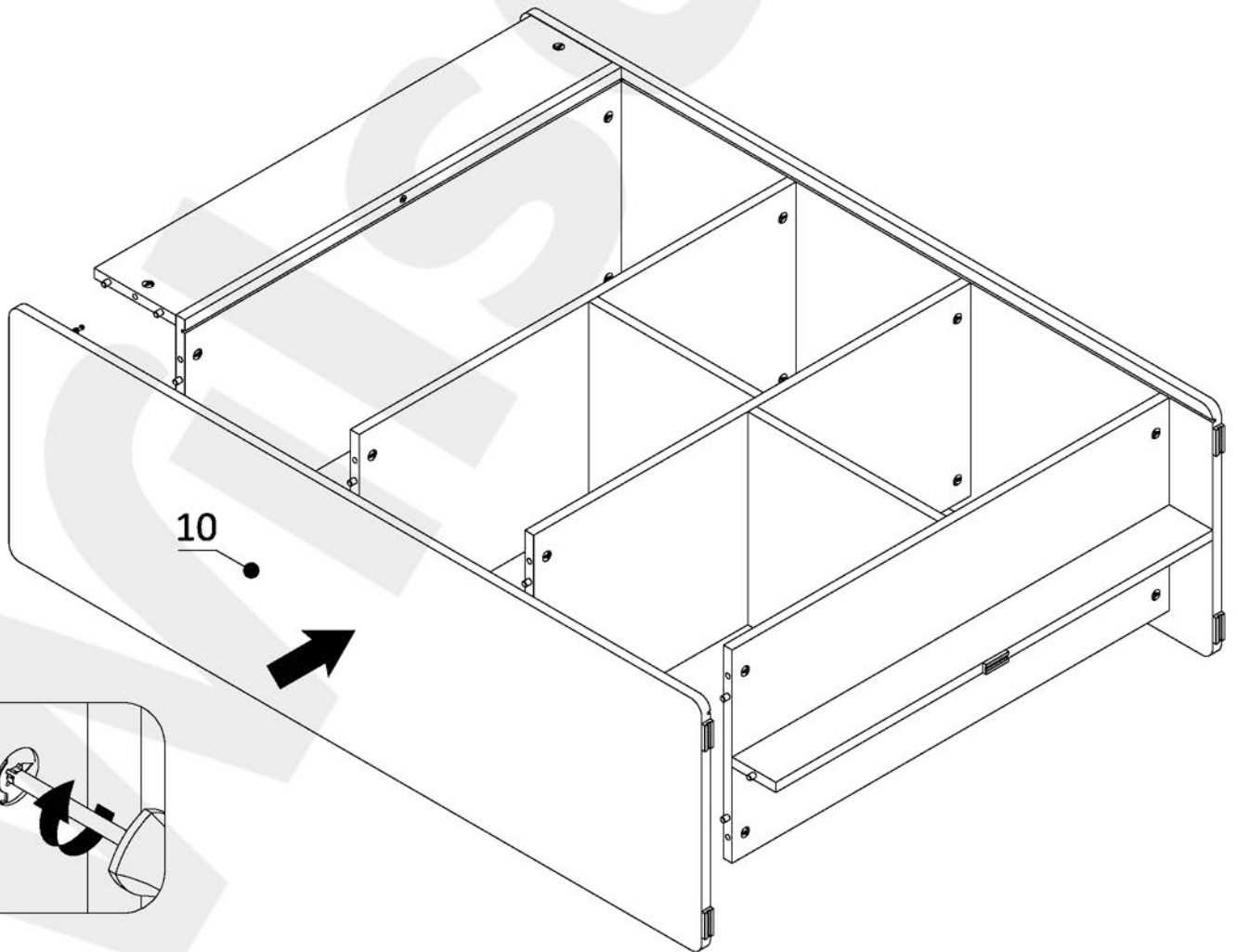
12



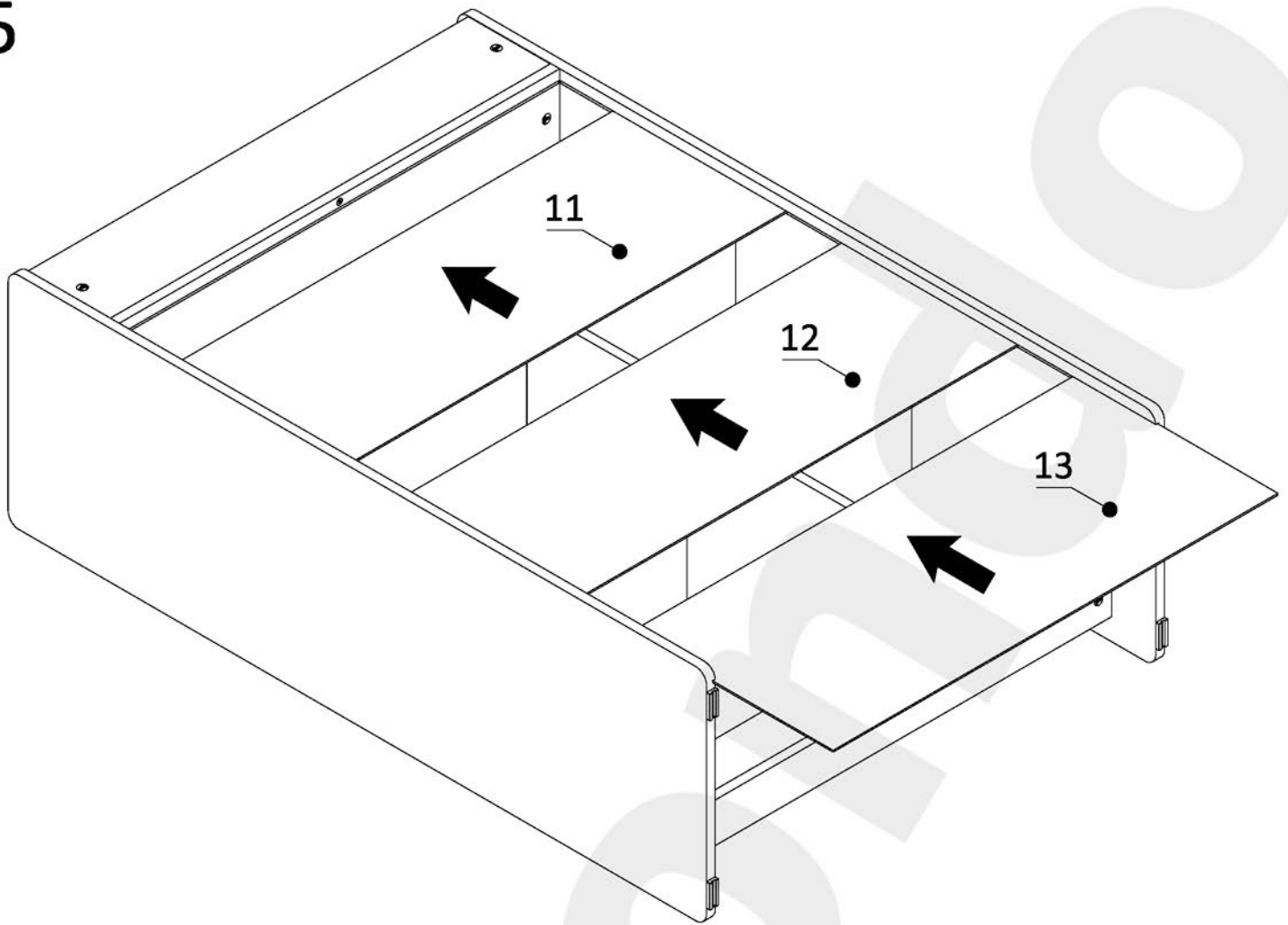
13



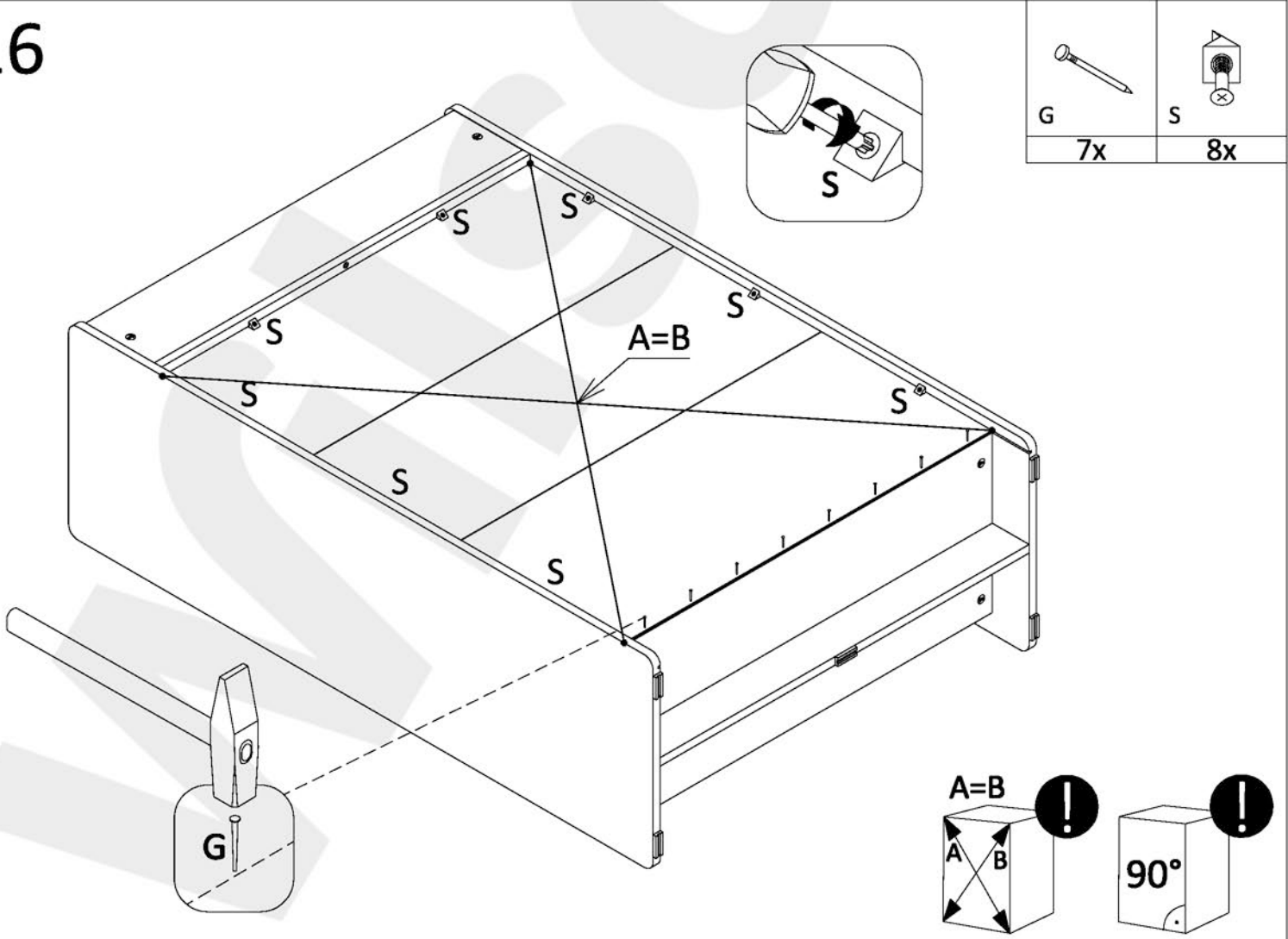
14



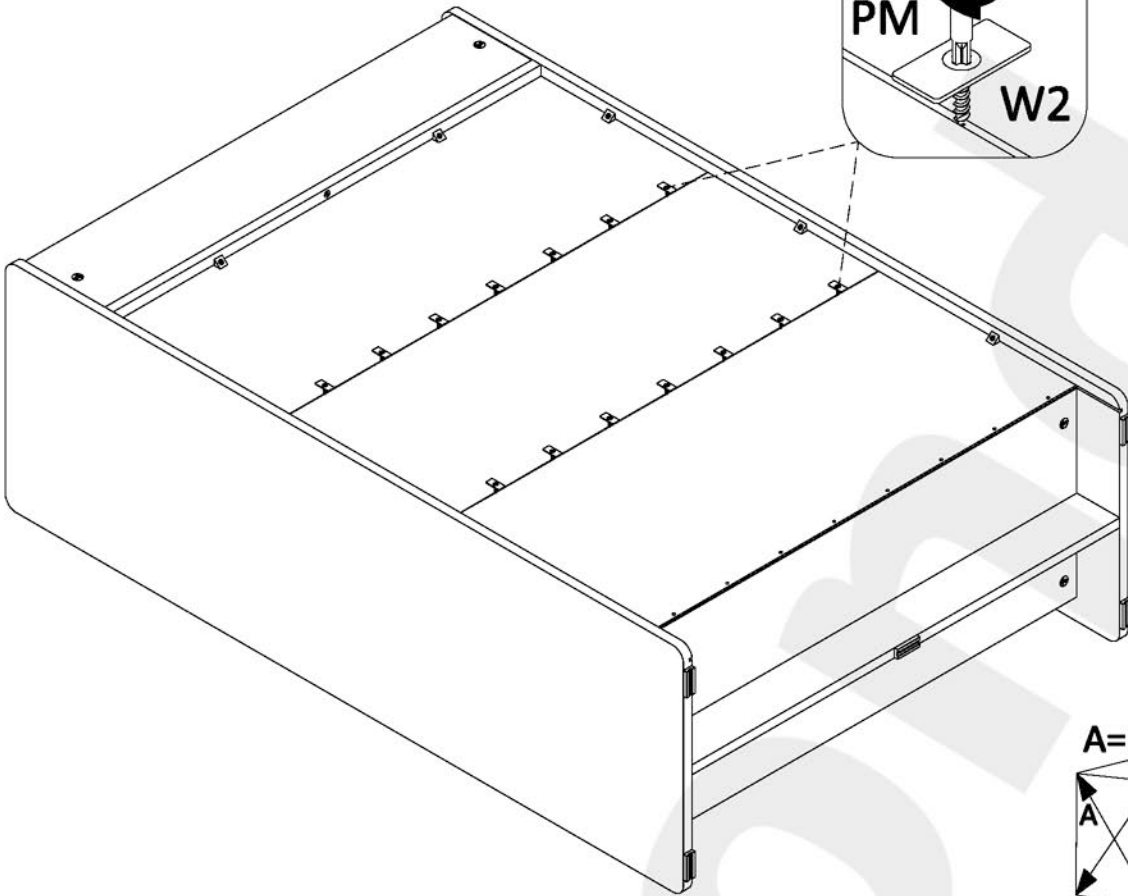
15



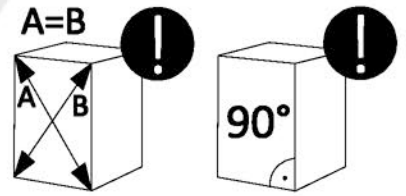
16



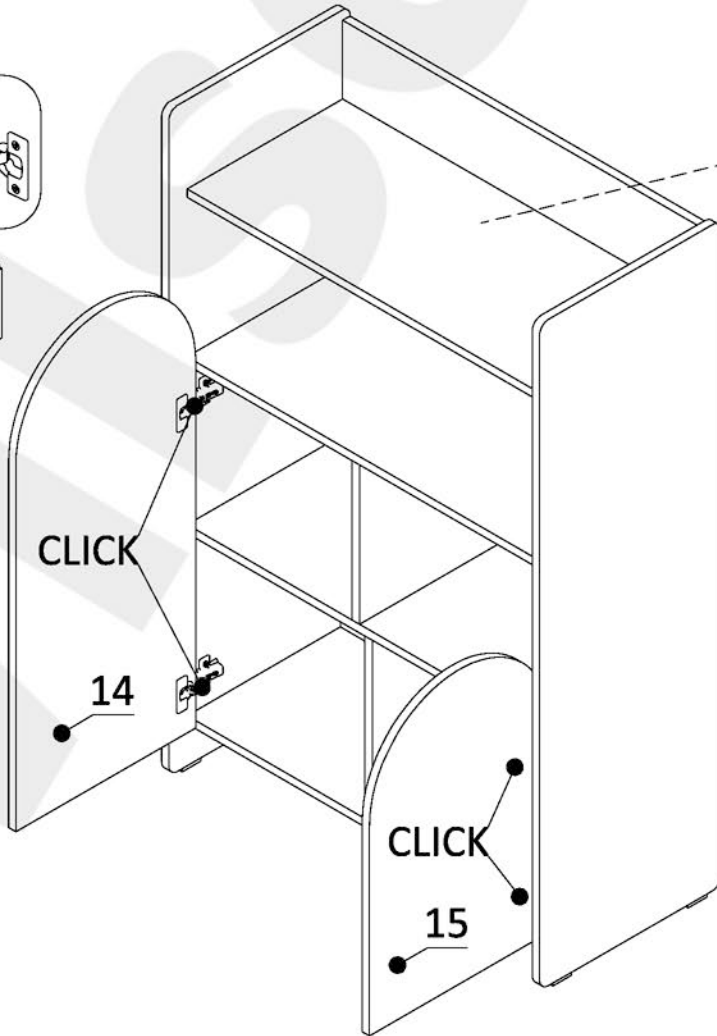
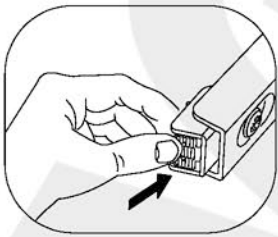
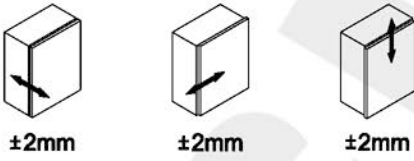
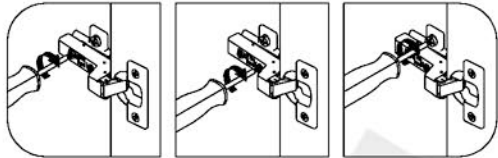
17



W2	PM
14x	14x



18



	PS
	1x
1	
2	
3	
	PS
4	