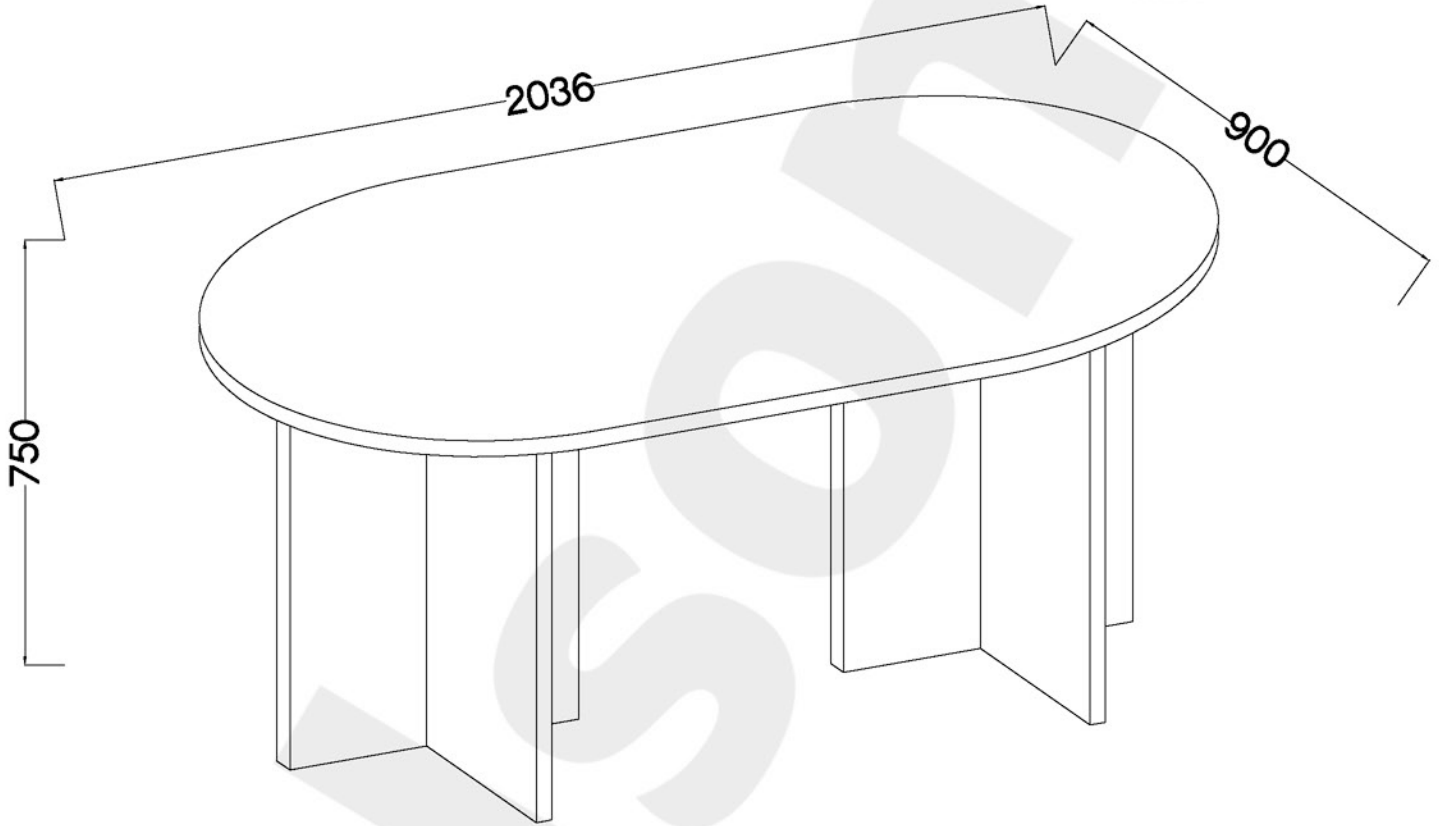
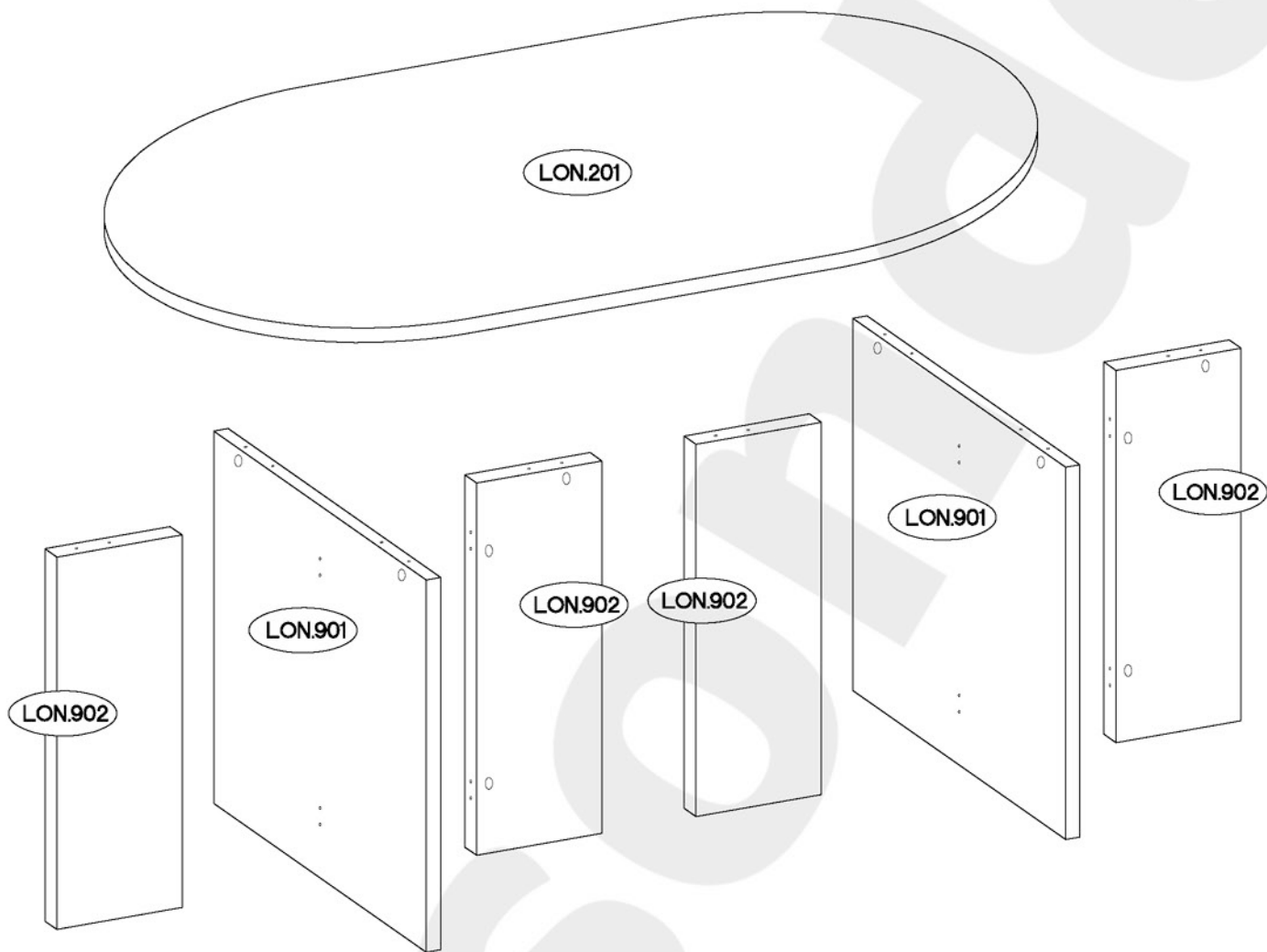
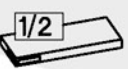
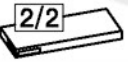


TYP 201







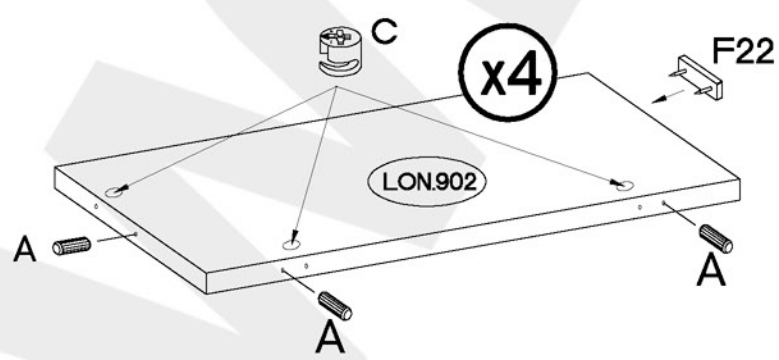
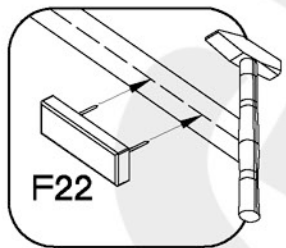
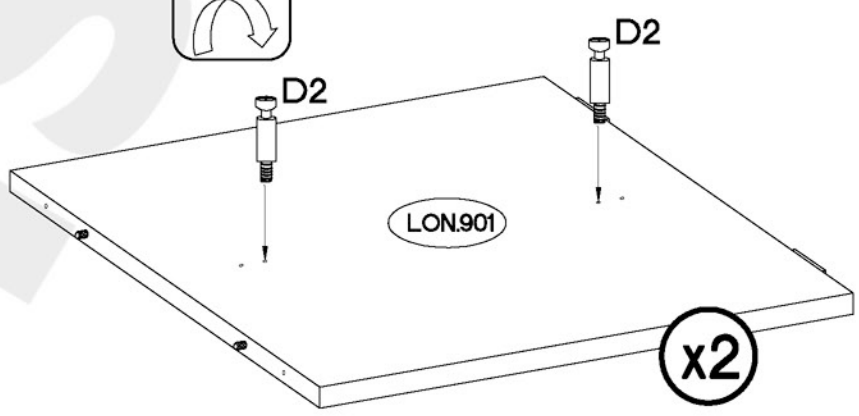
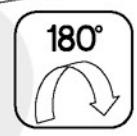
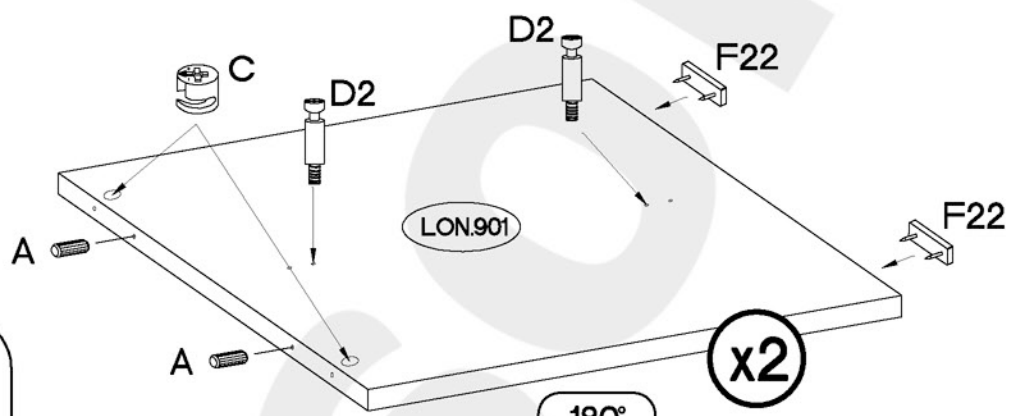
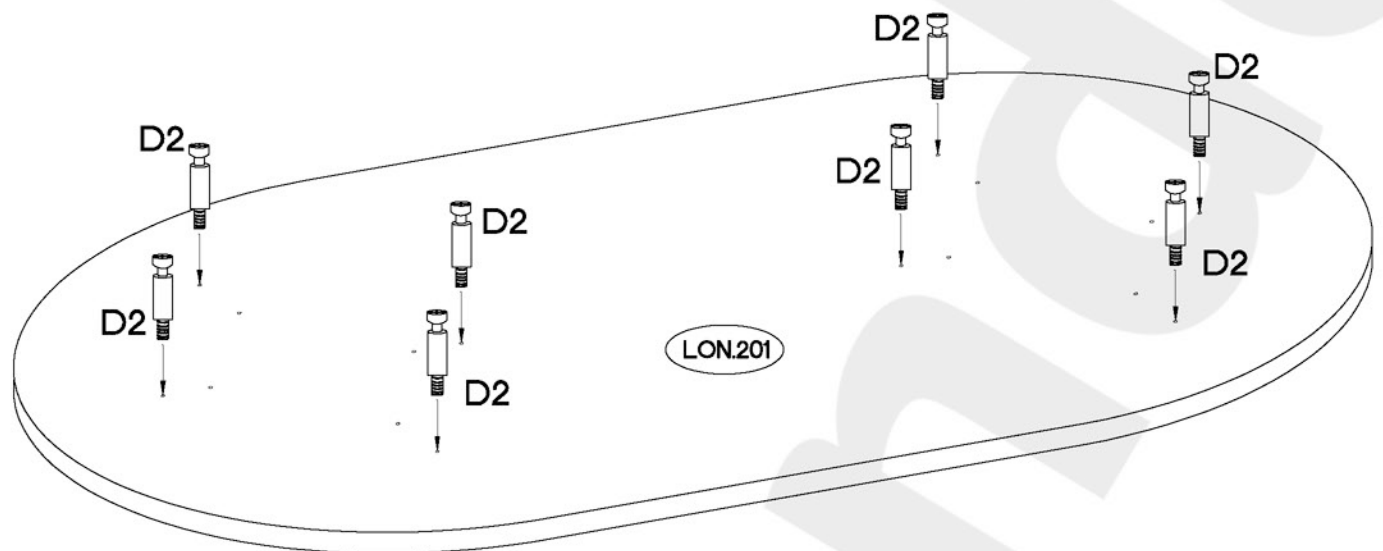
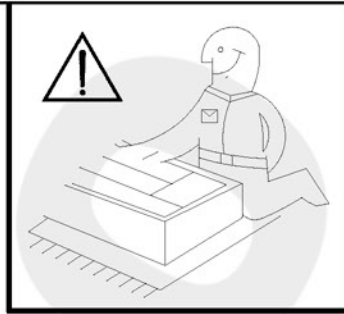
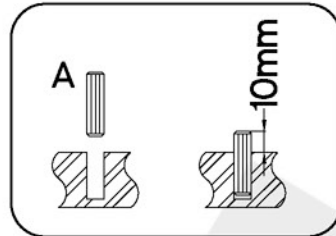
±8x30mm A 16	±15/12mm C 16	L=20mm D2 16	6.5x48x16 F22 8	±20 E11 16
------------------------	-------------------------	------------------------	---------------------------	----------------------



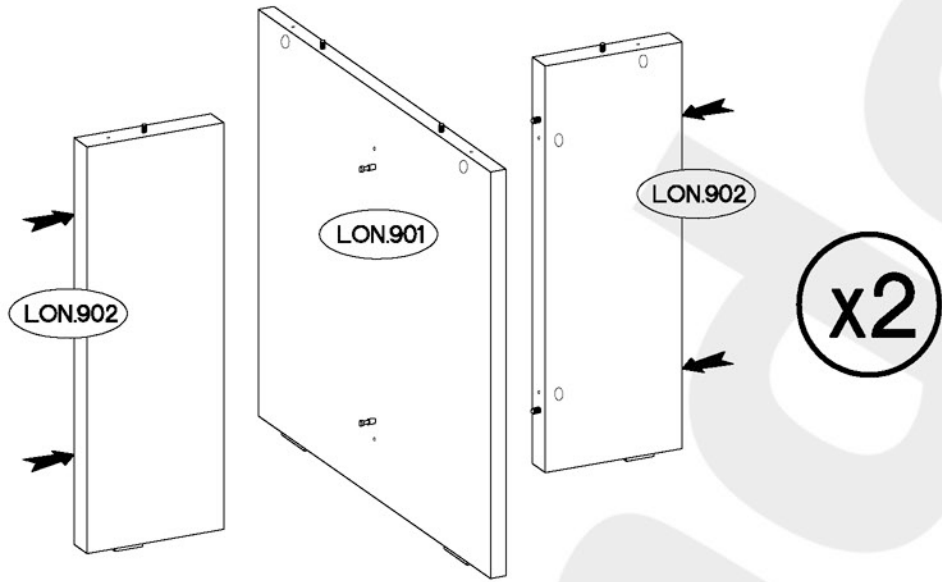
	Ersatzteil Nummer	Dimension
	LON.901 x2	717x500x28
	LON.902 x4	717x245x28
	LON.201	2036x900x28

1

 A 16	 C 16	 D2 16	 F22 8
----------------------------------------------------------------------------------------------------	----------------------------------------------------------------------------------------------------	-----------------------------------------------------------------------------------------------------	-----------------------------------------------------------------------------------------------------



2



3

