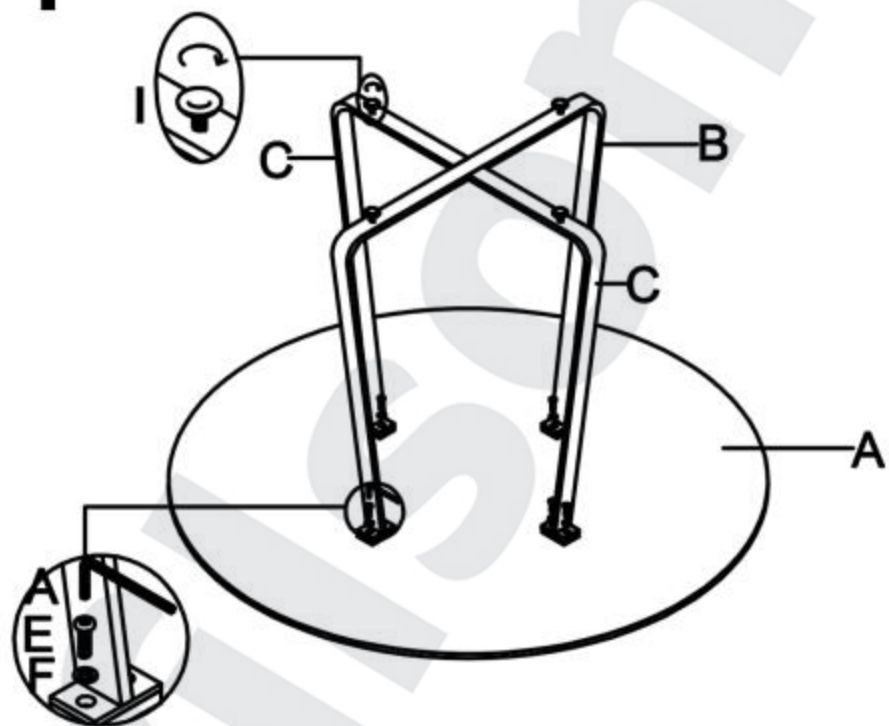
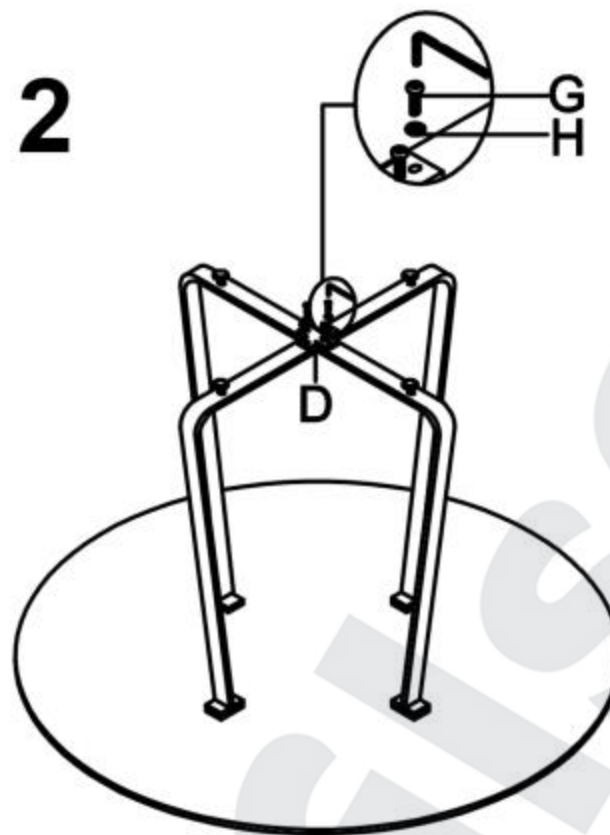


# LOPER 2

## 1



## 2



A		1
B		1
C		2
D		1
E		8
F		4
G		4
H		4
I		4

max. 30 kg

