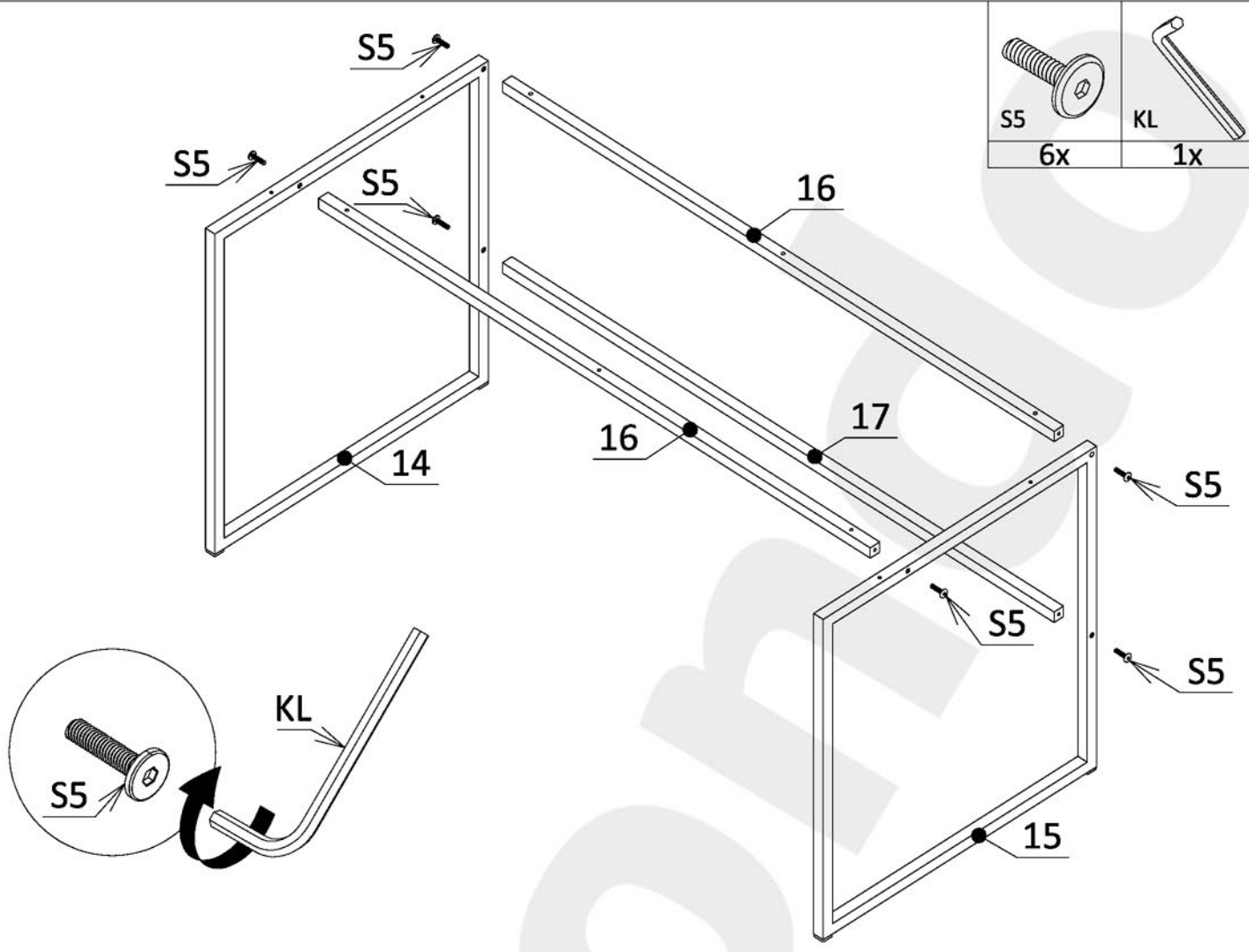
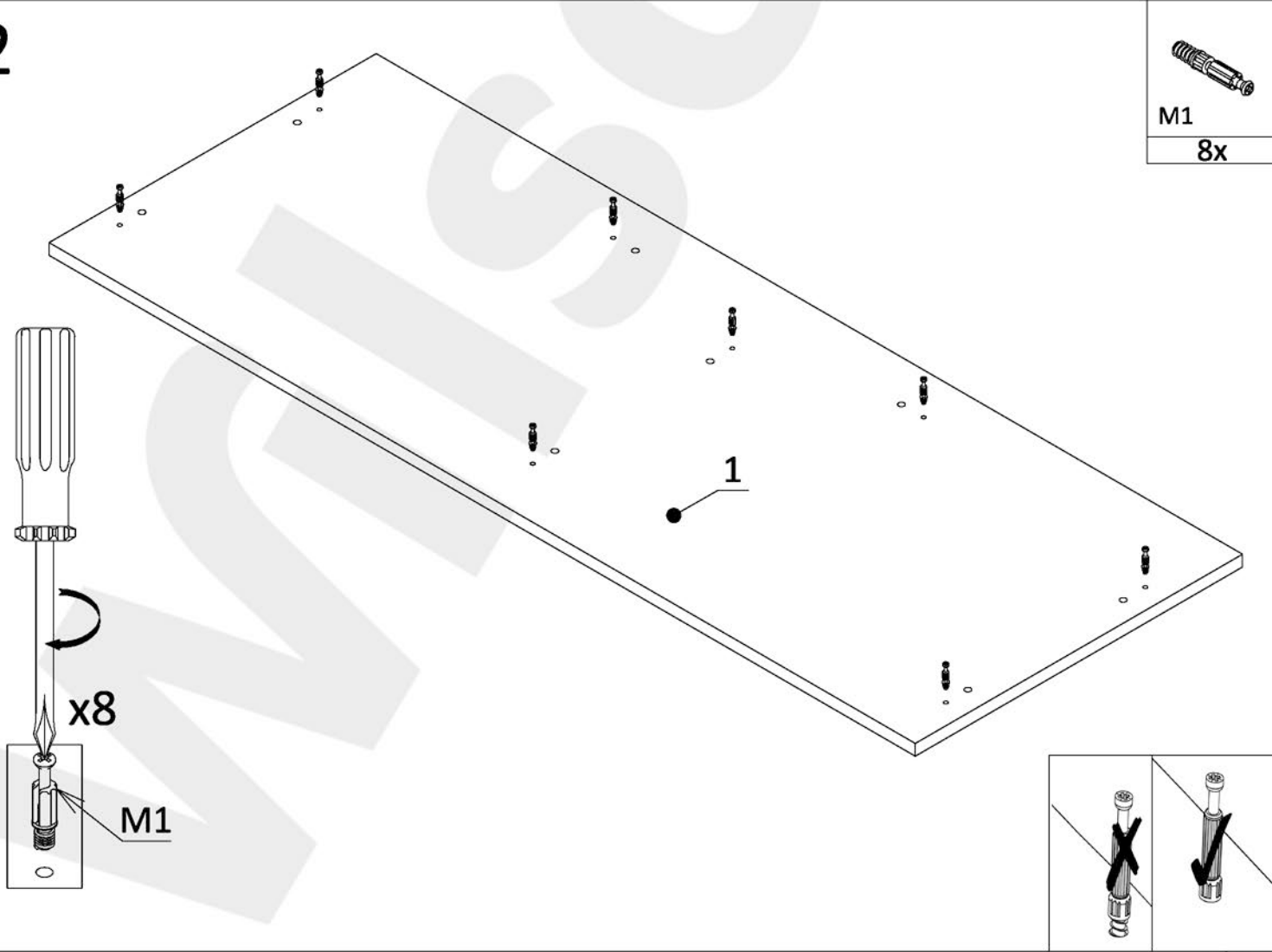


4x16 D4	15/12 M	L20,3 M1	8x30 K	7x50 F	1x PK-0H35-350				
14x	16x	16x	36x	14x					
5x13 E1	M4x15 TL	M4x8 S2	M6x35 S5	PZ	Z1	T	ZM	SW4 KL	2x20 G
12x	2x	4x	6x	2x	2x	2x	16x	1x	48x

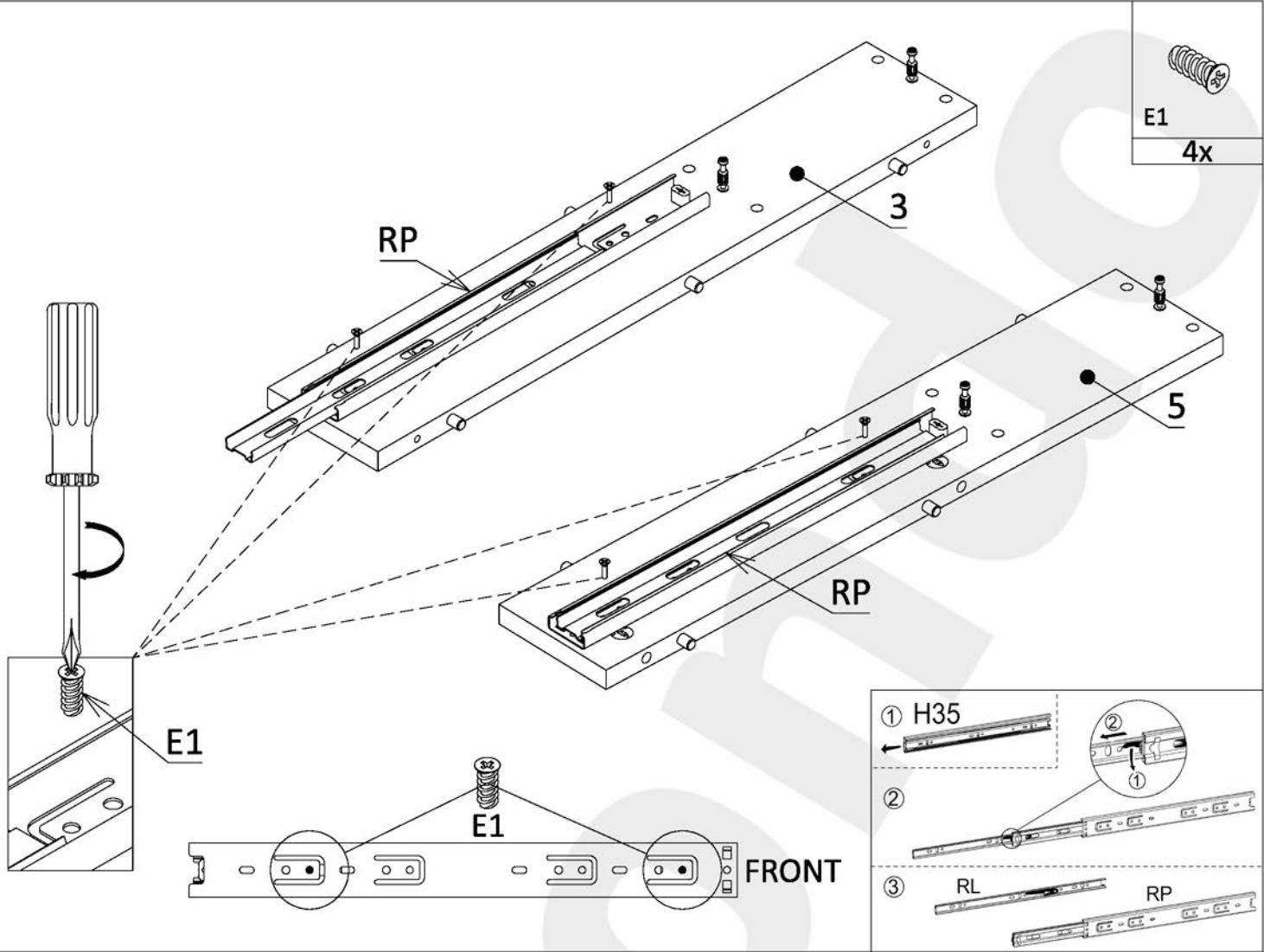
1



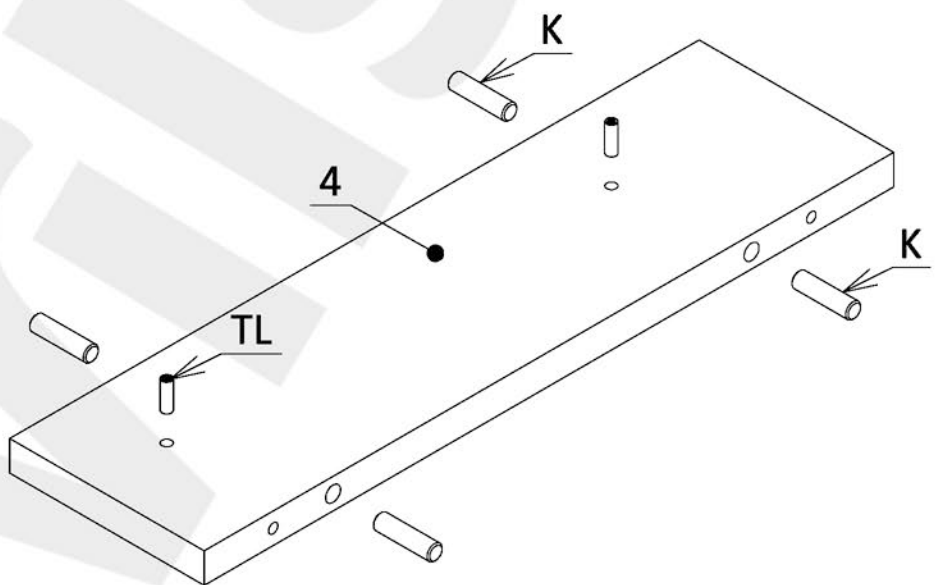
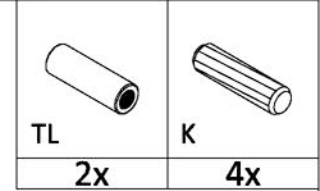
2



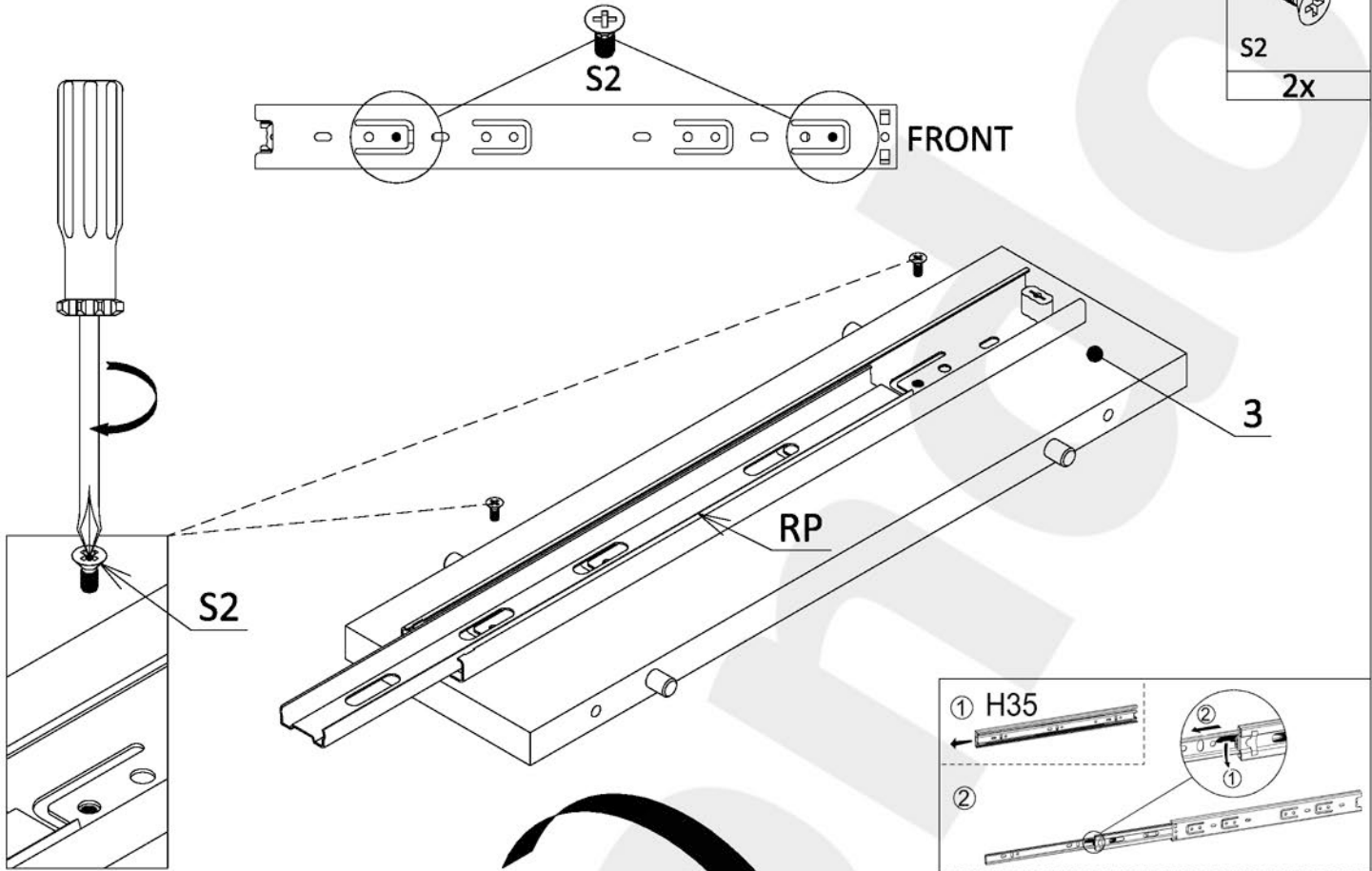
5



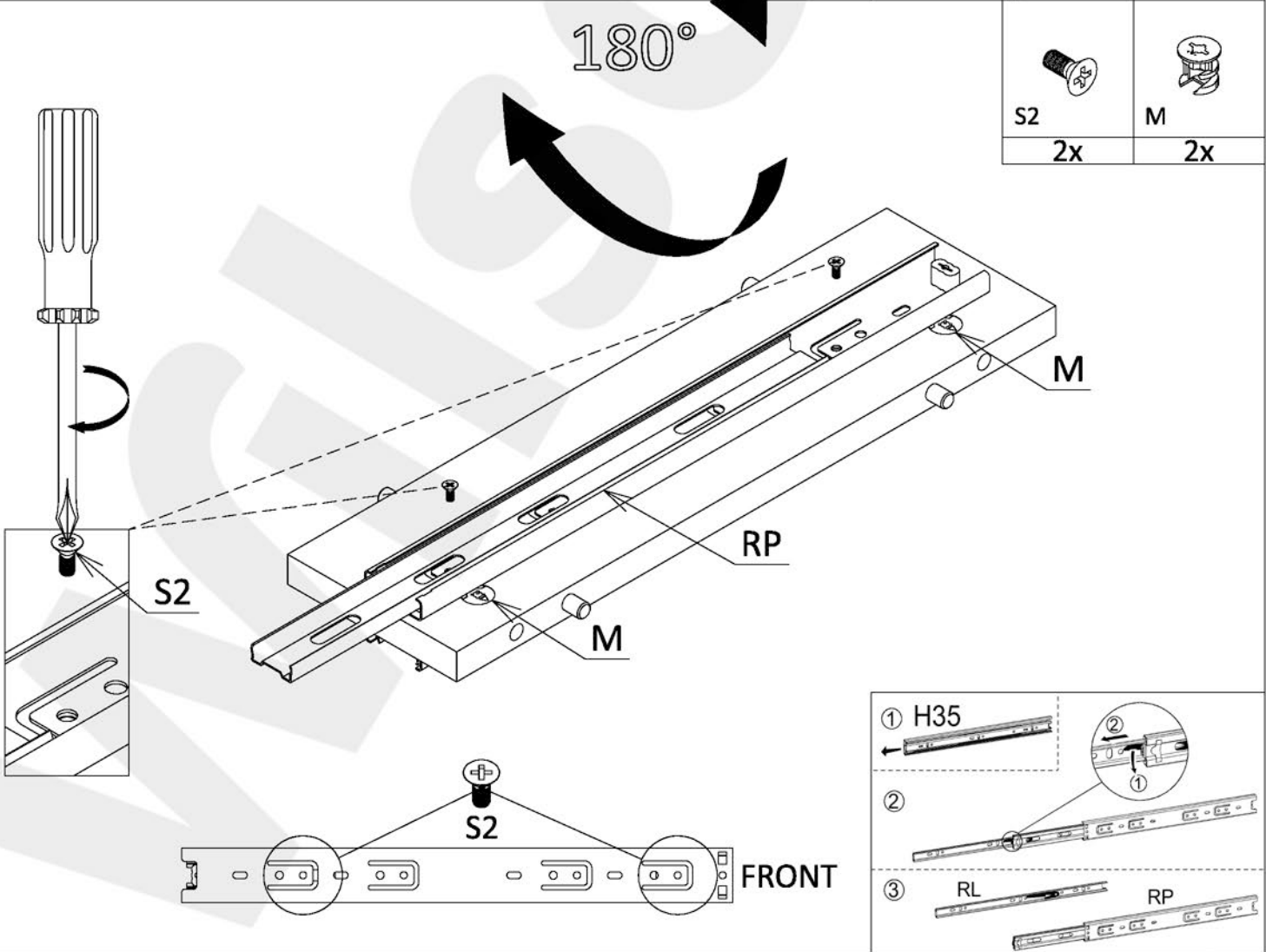
6



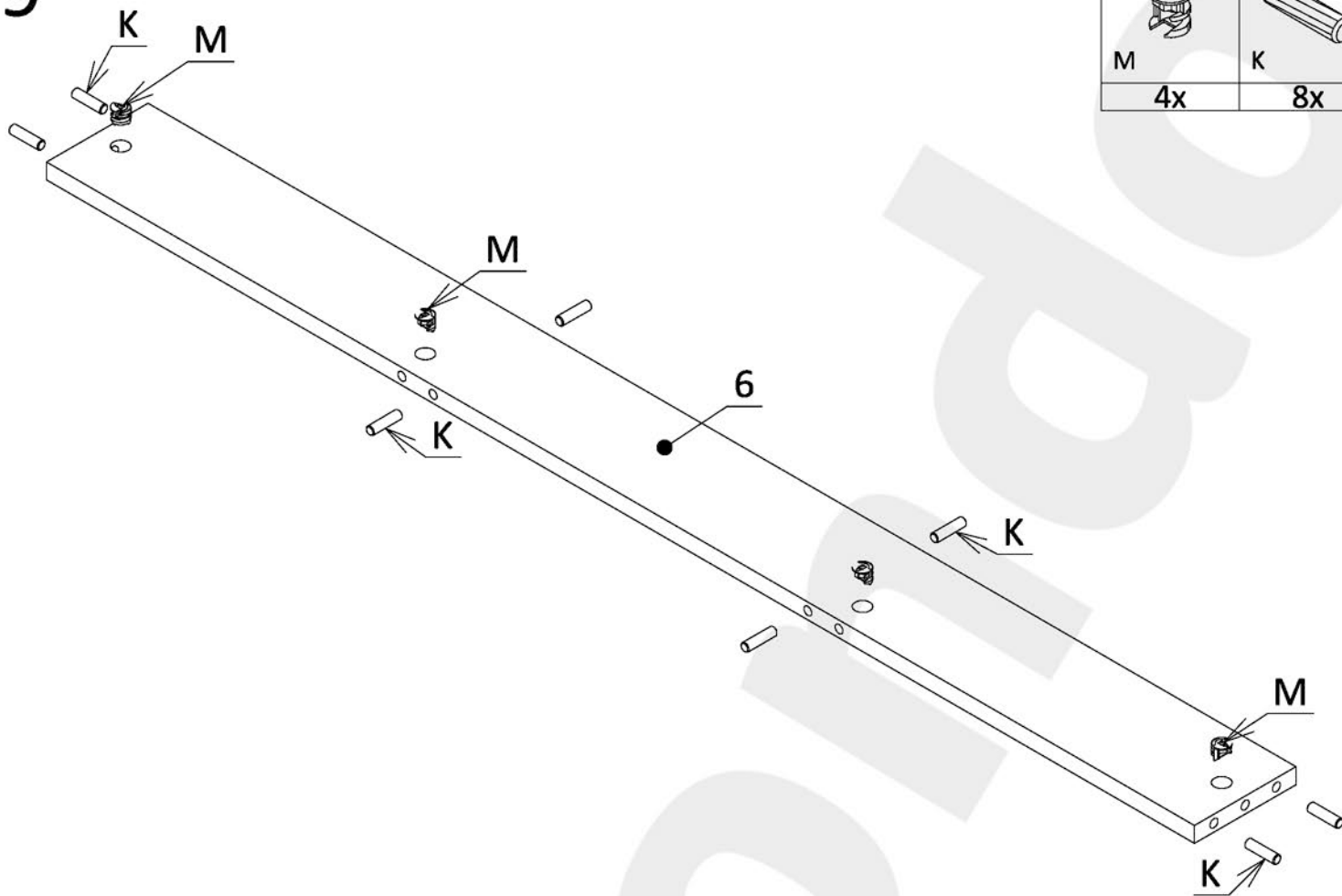
7





8

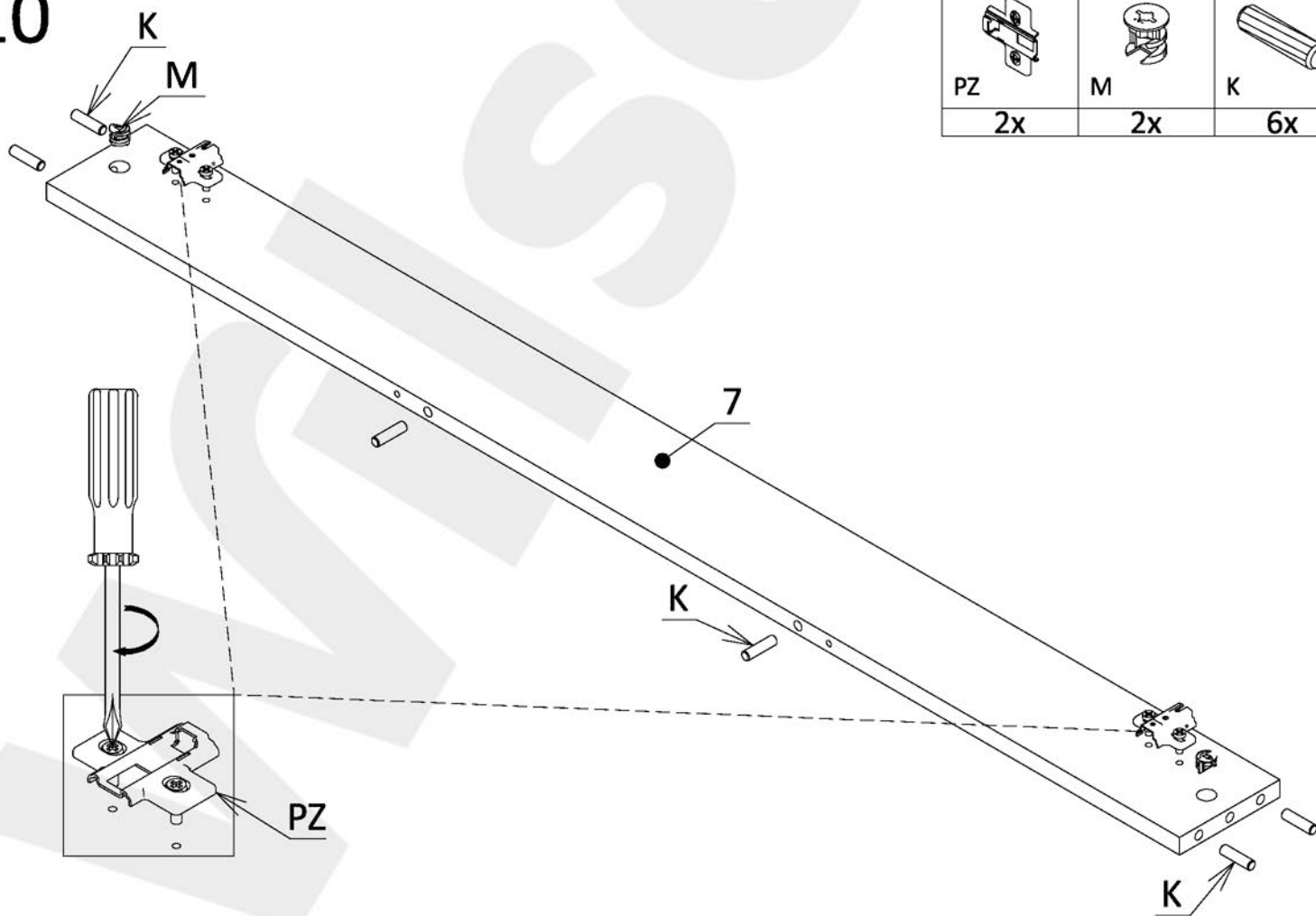




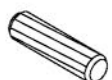
9



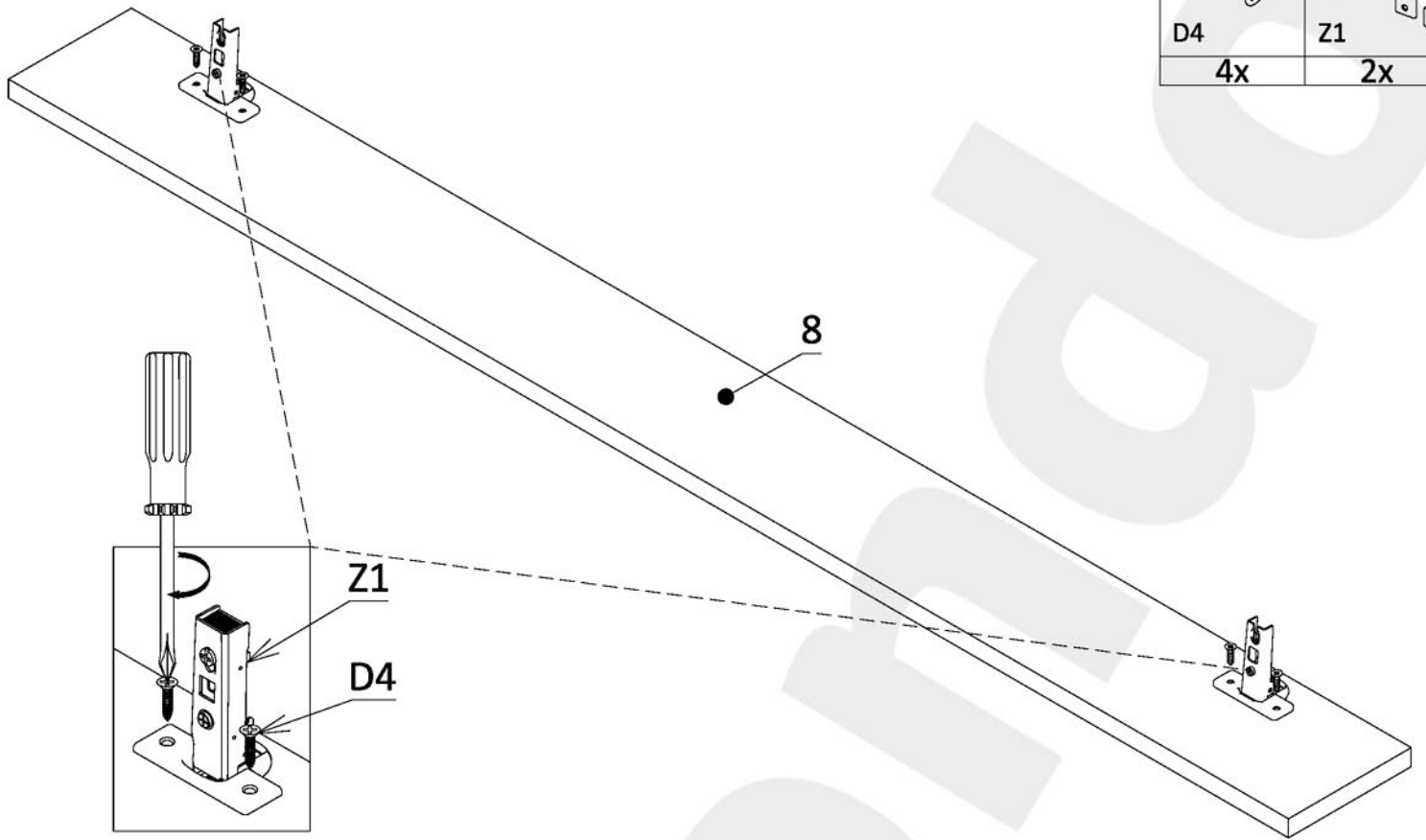
	
M	K
4x	8x

10

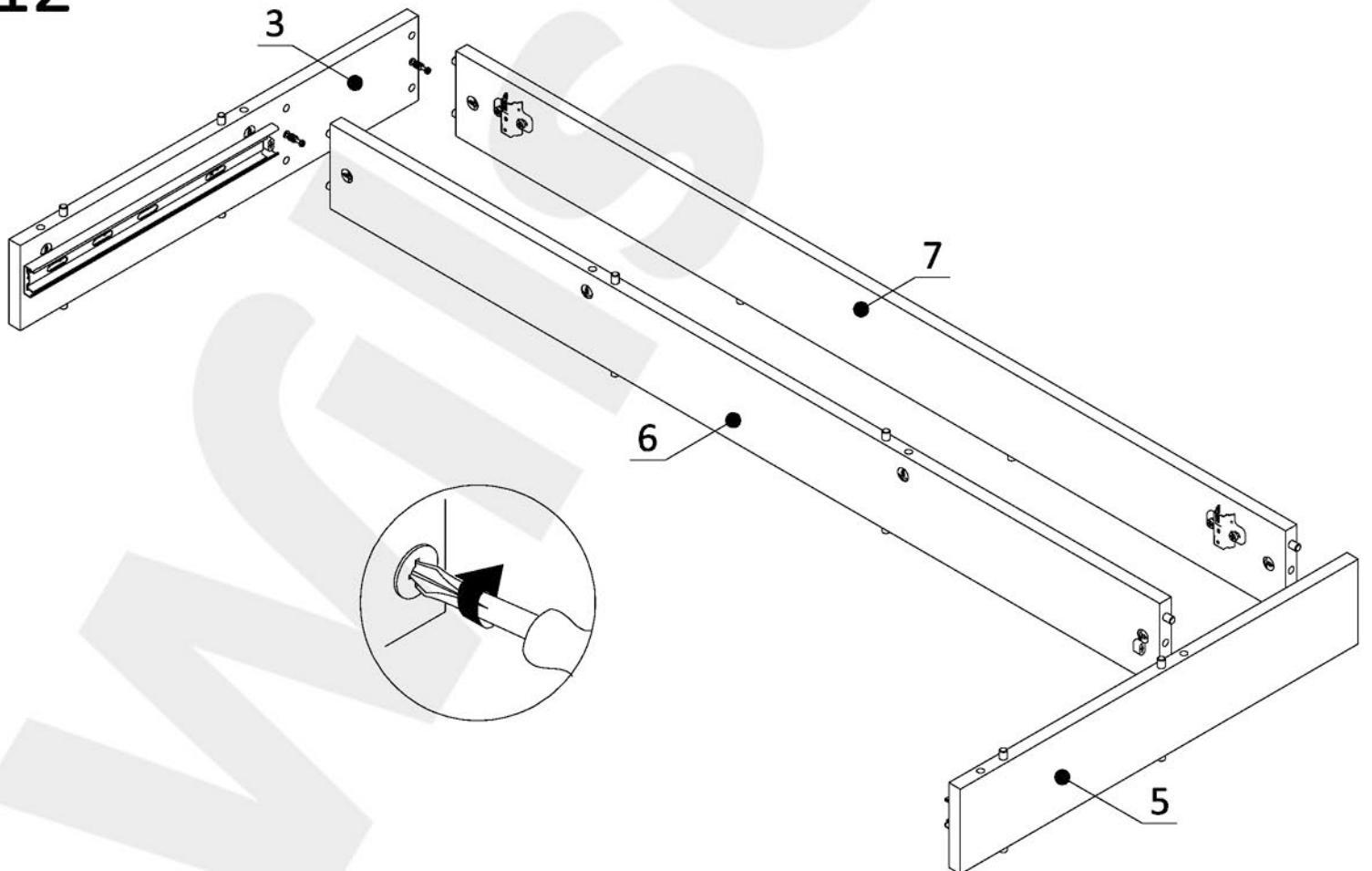


		
PZ	M	K
2x	2x	6x

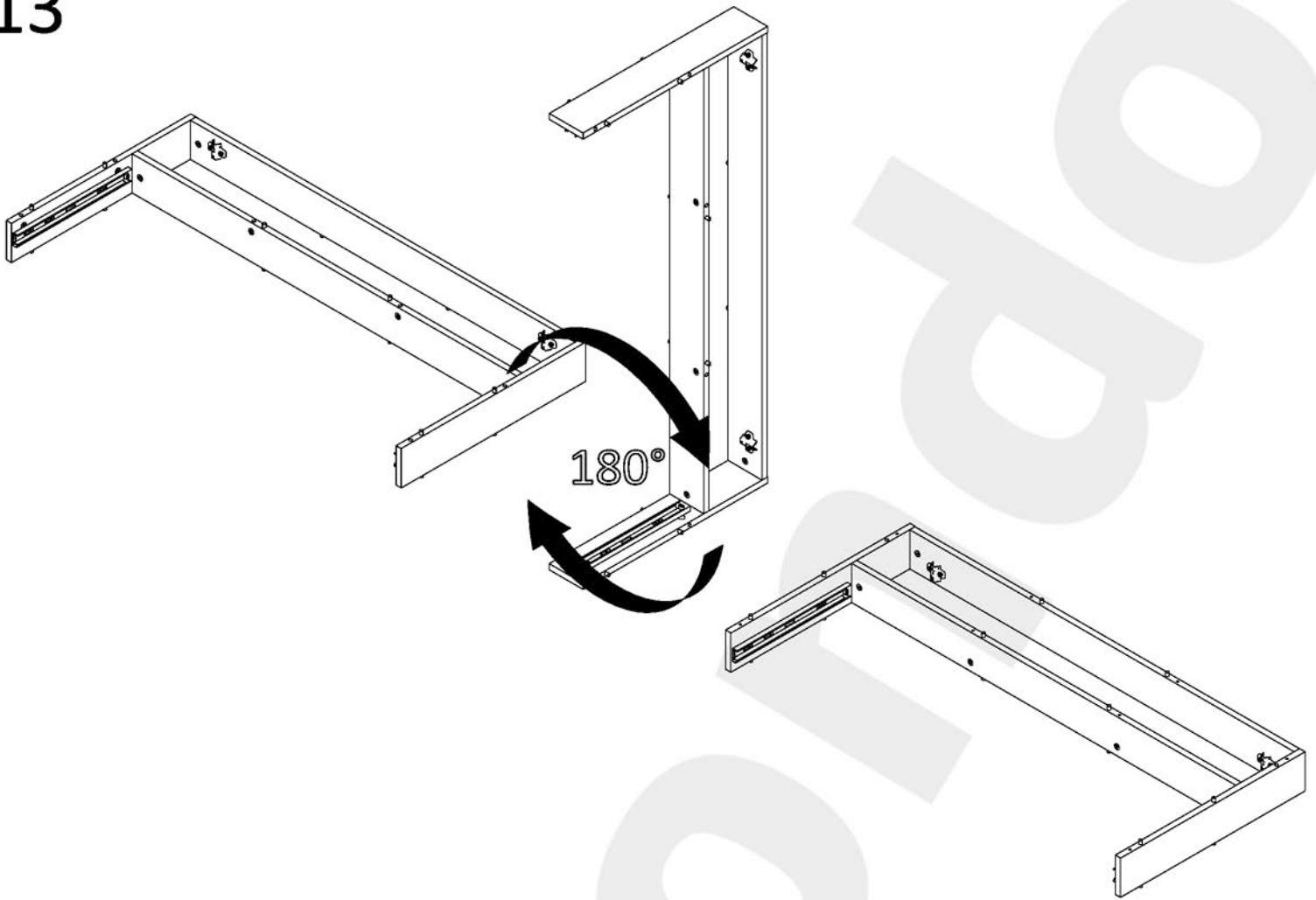
11



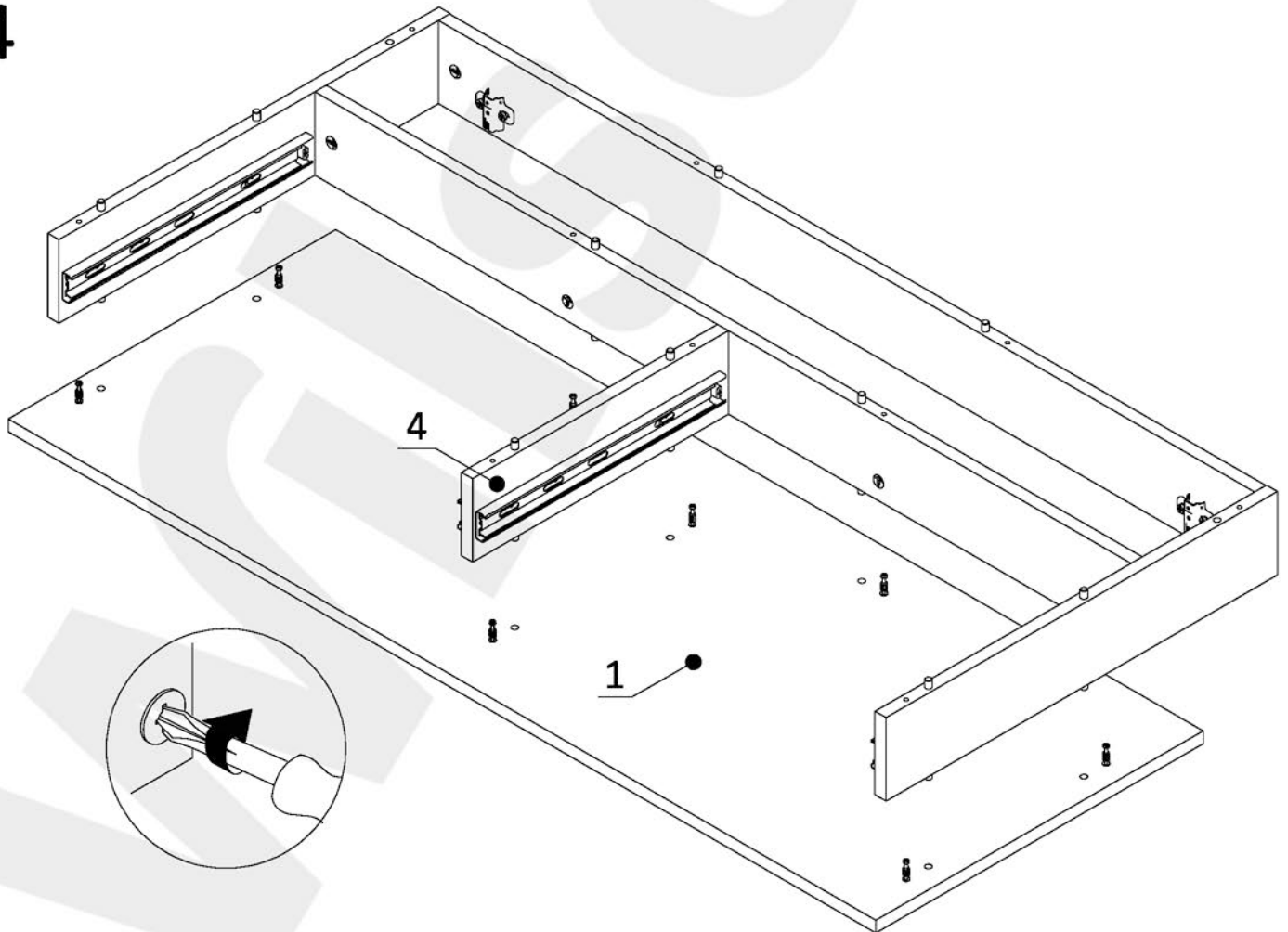
12



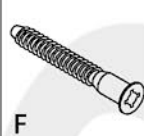

13

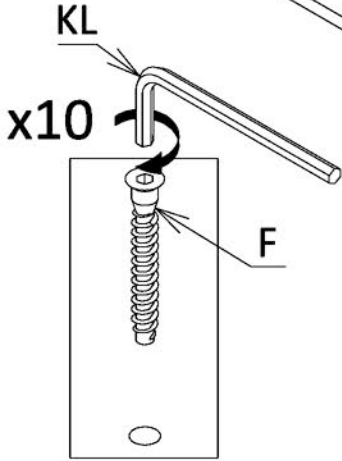
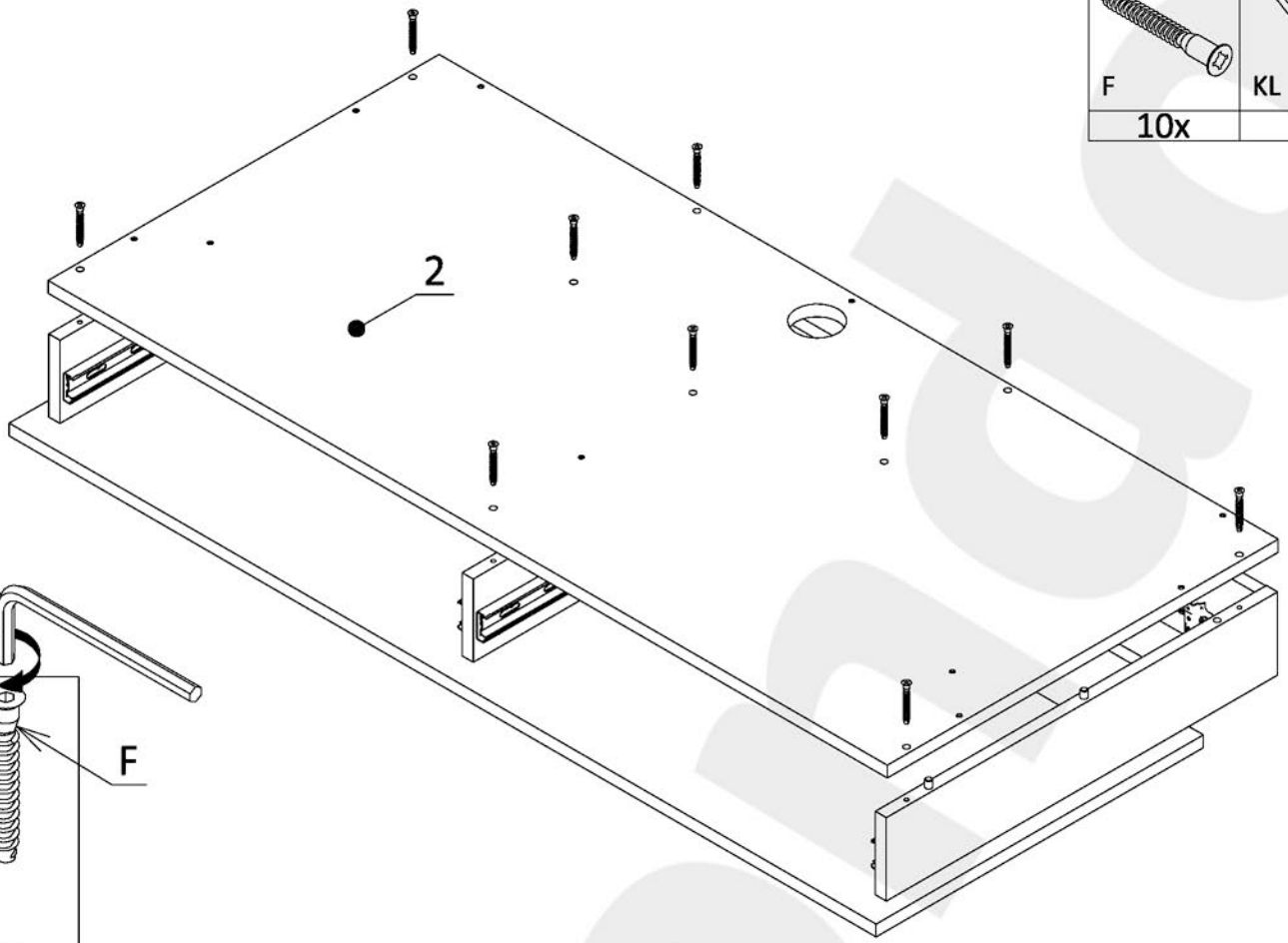


14




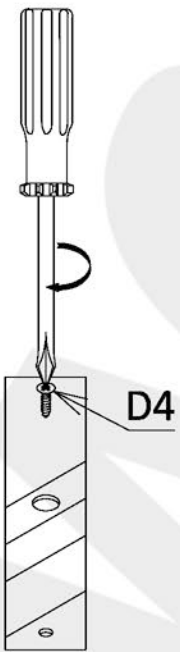
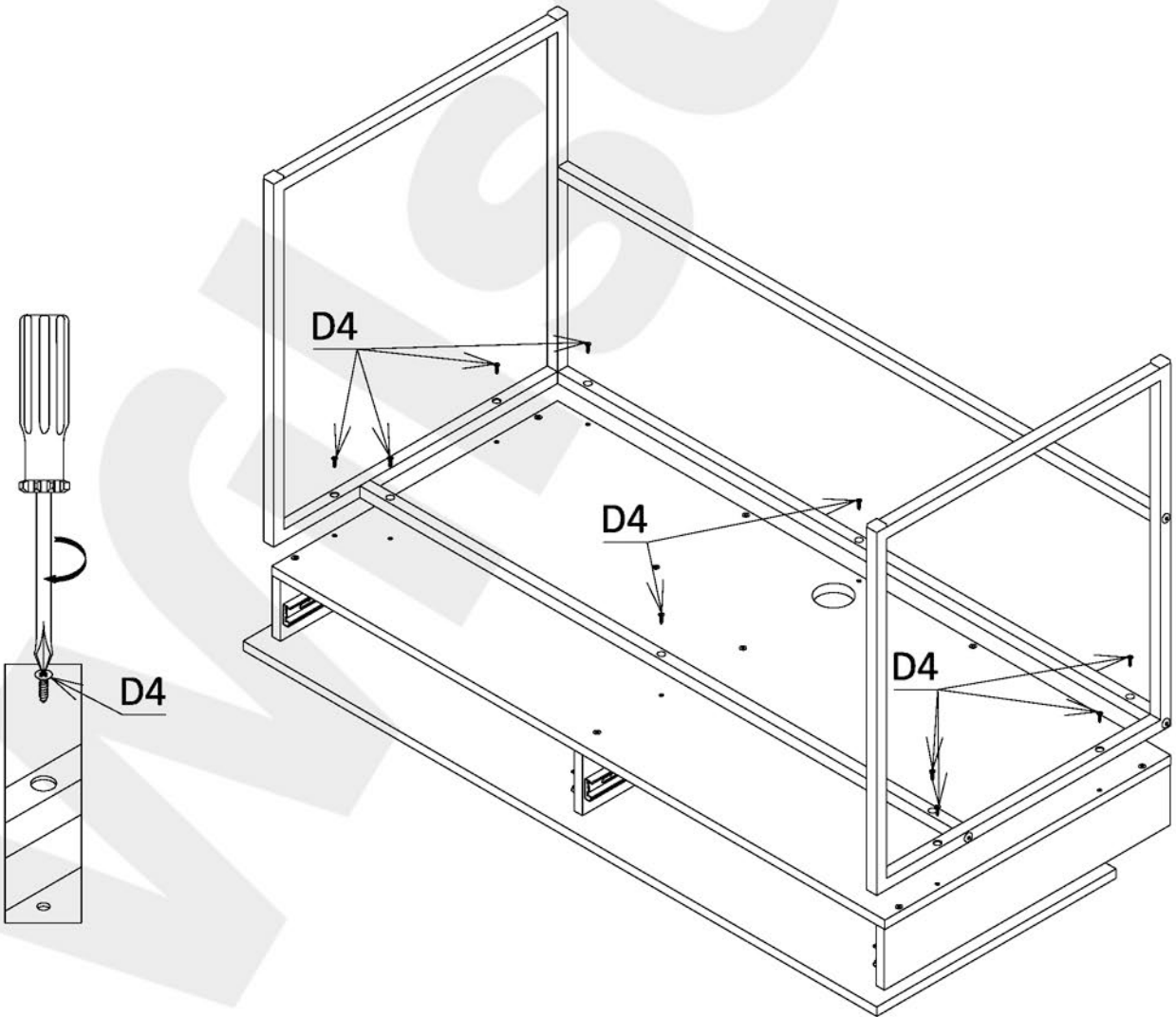
15

	
F	KL
10x	1x





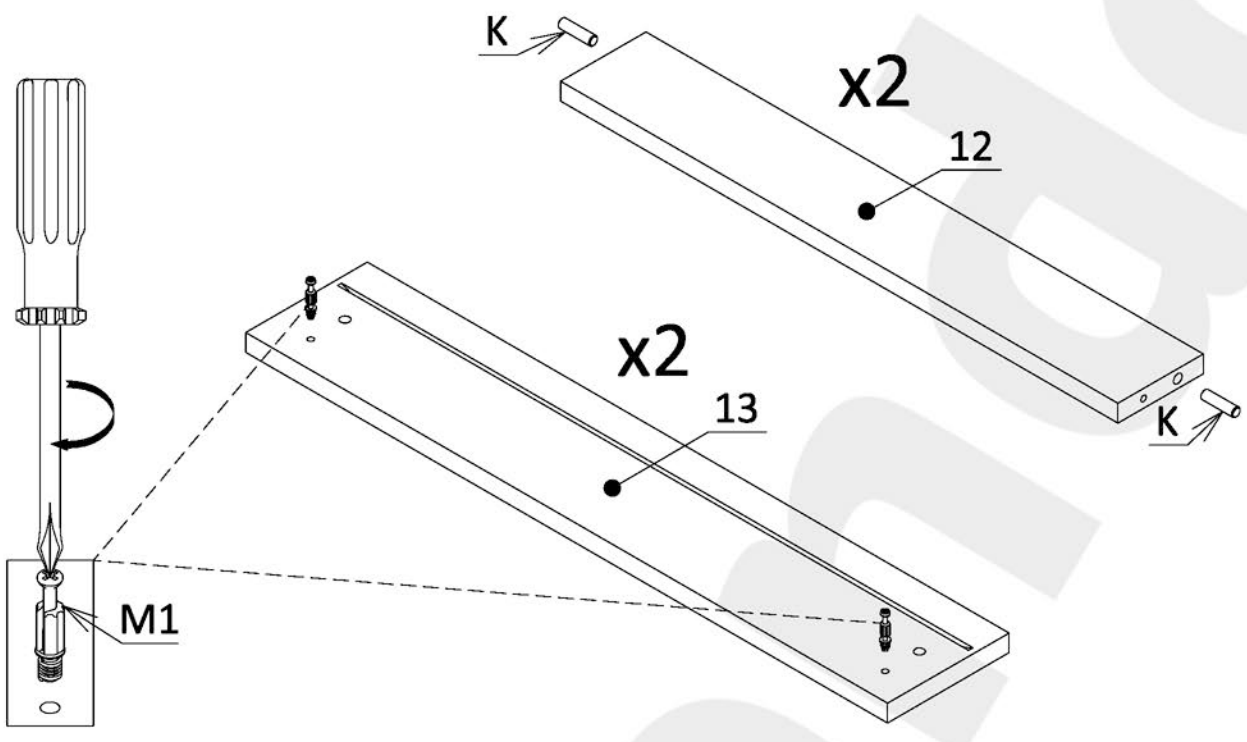
16


D4
10x





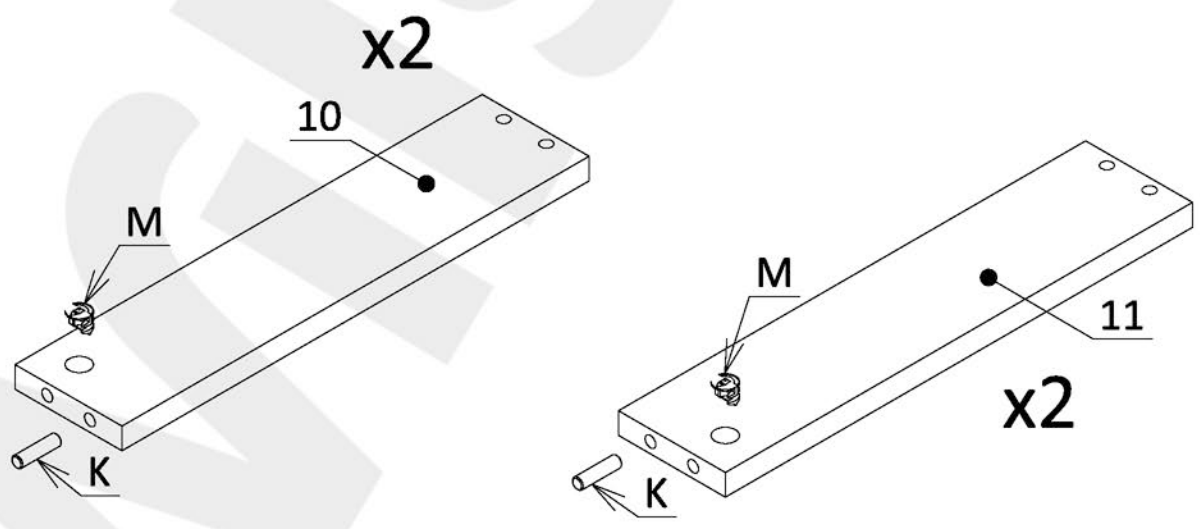
17

	
M1	K
8x	4x

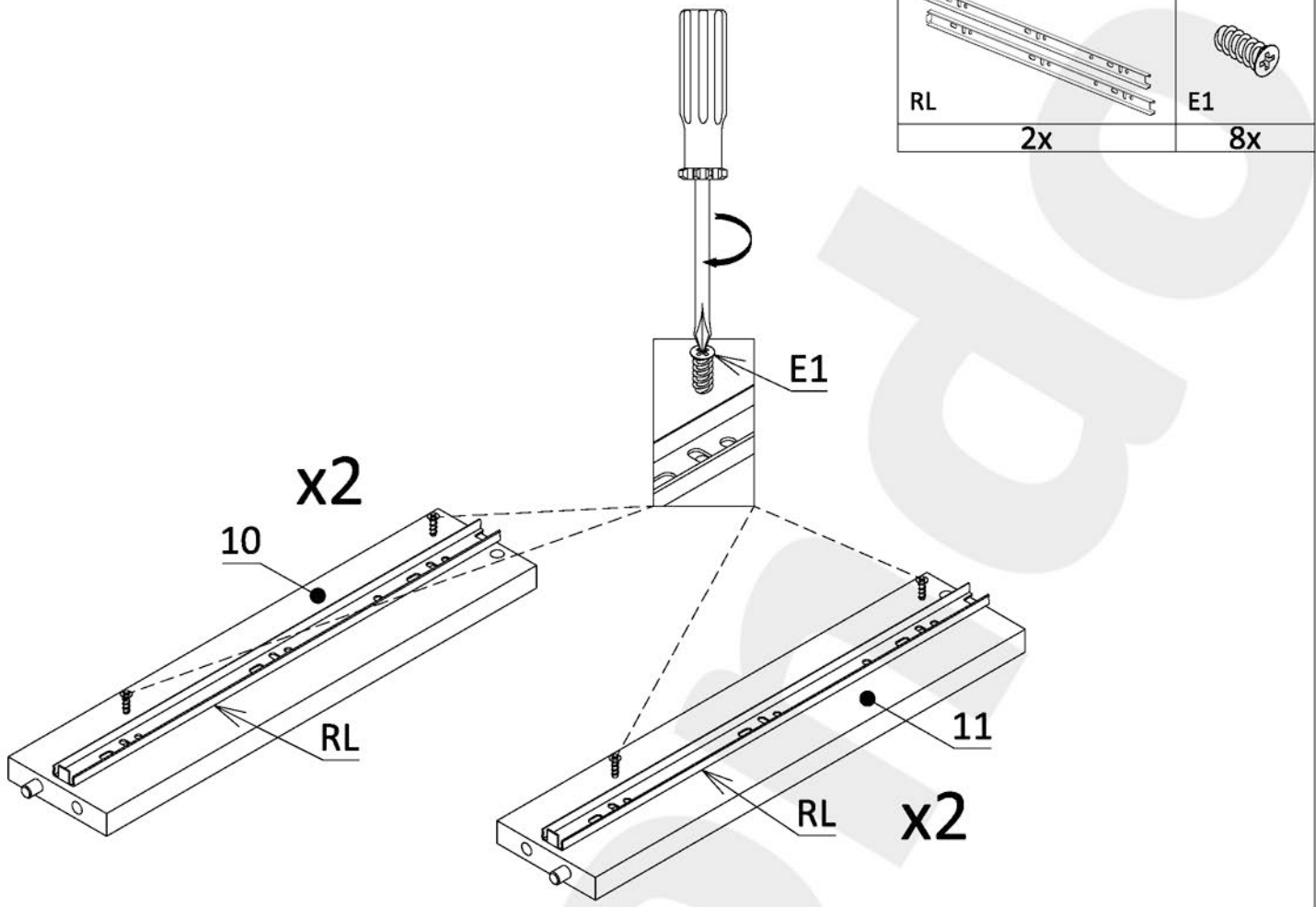


18

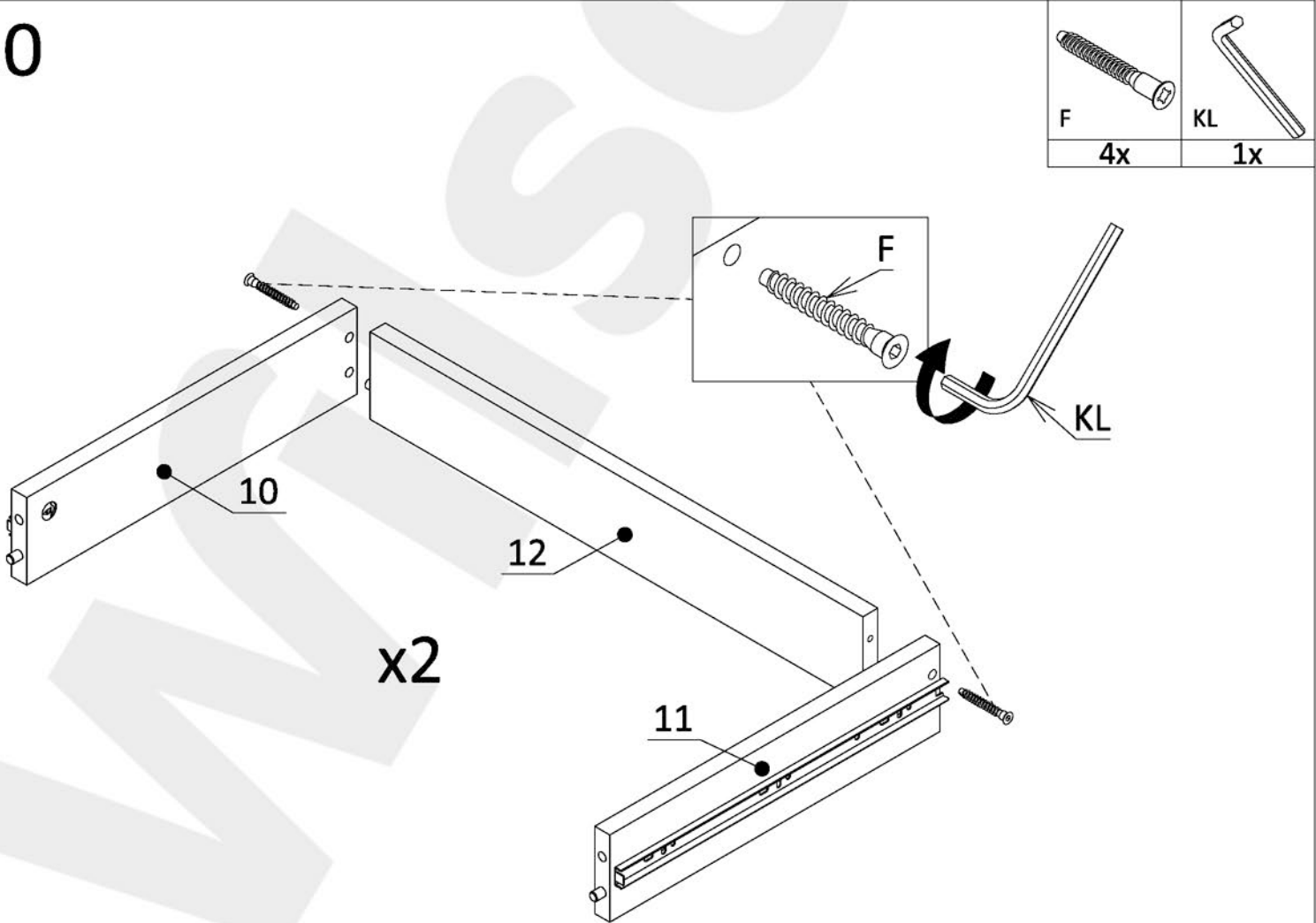
	
M	K
4x	4x



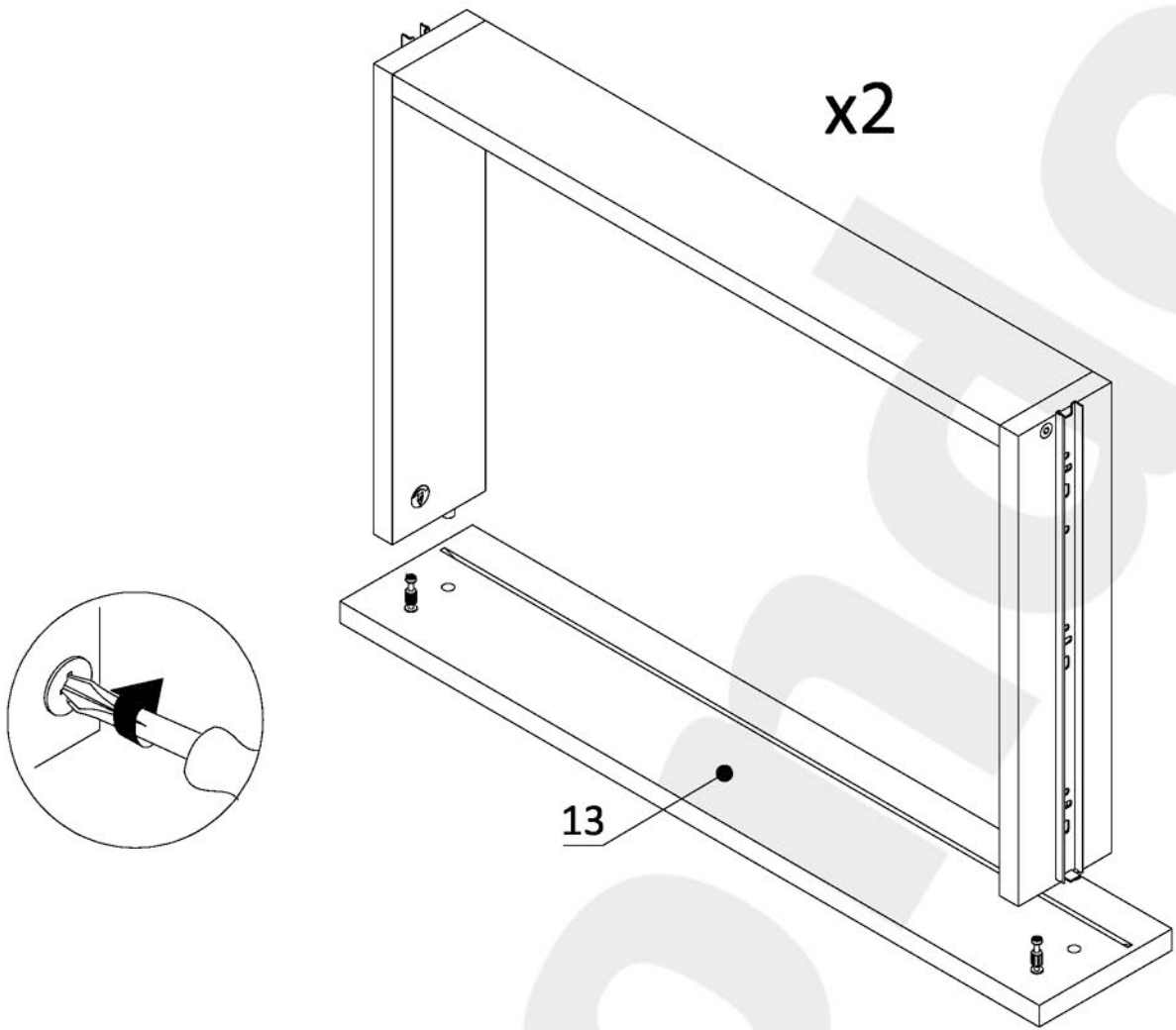
19



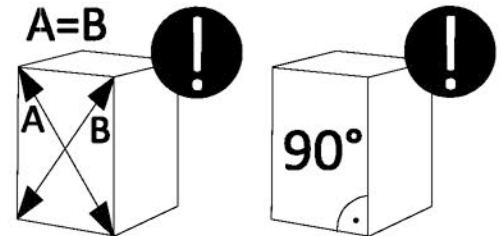
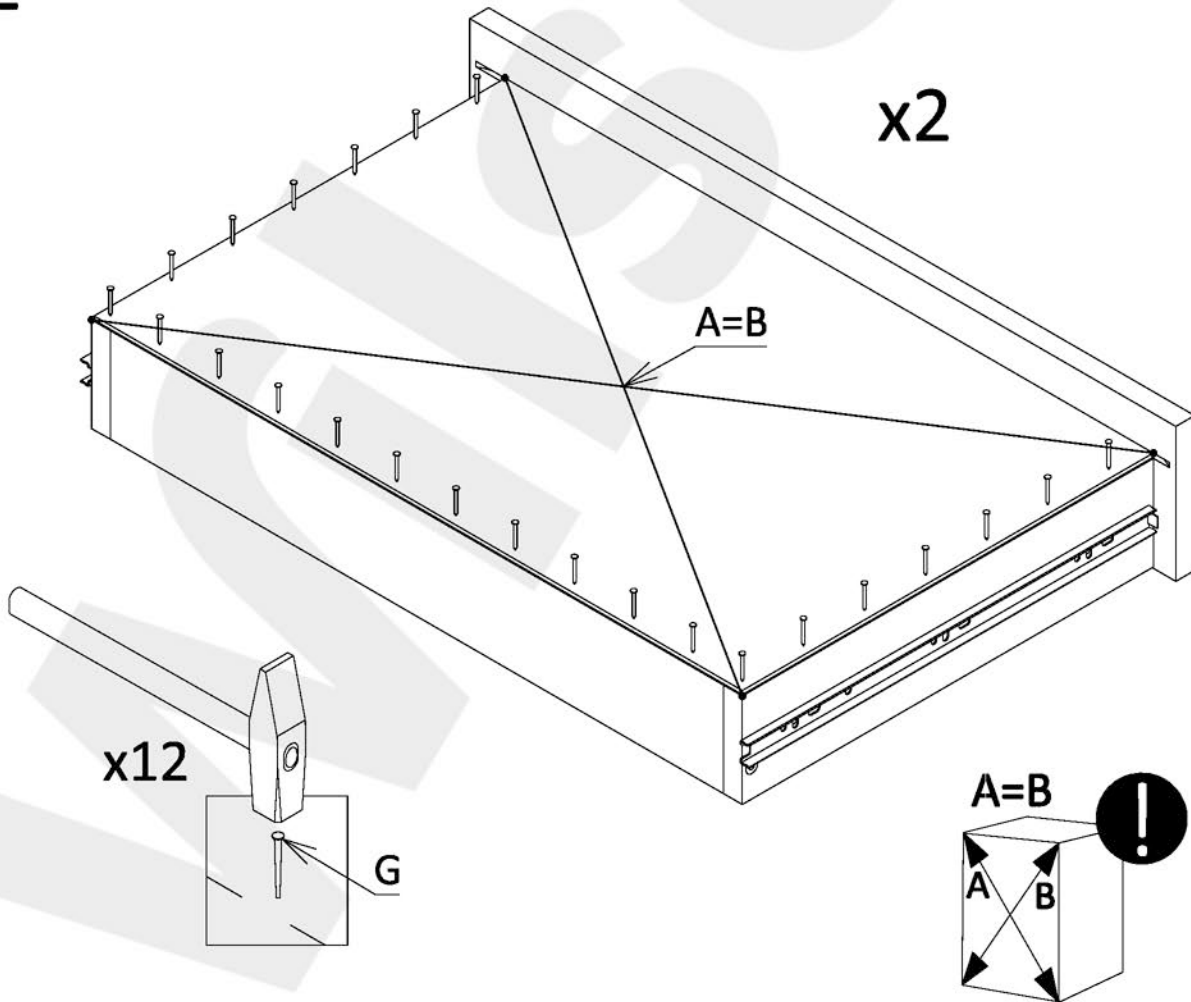
20



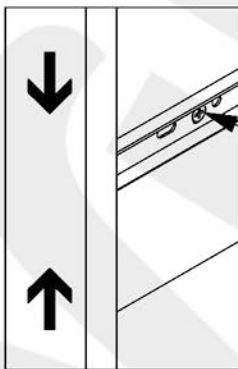
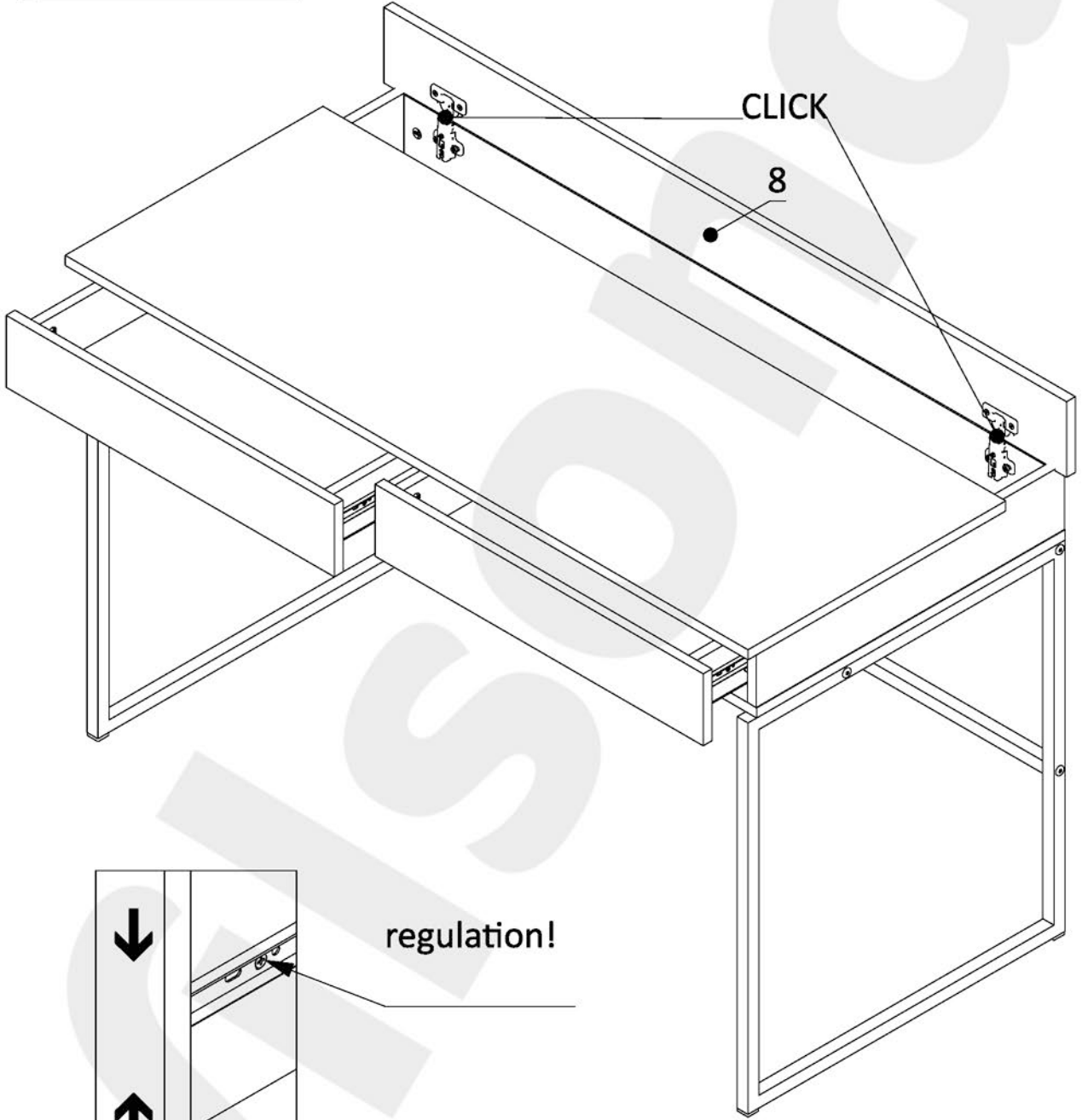
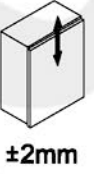
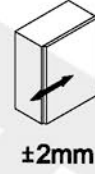
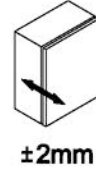
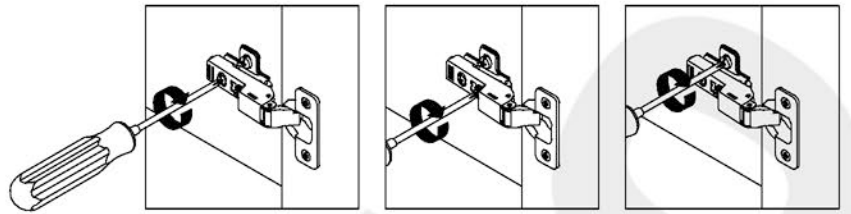
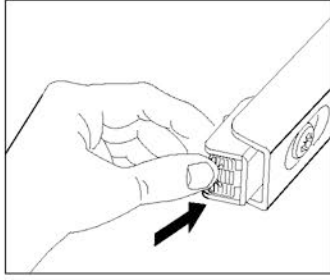
21



22



23



regulation!

