


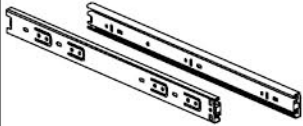


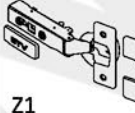




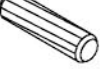
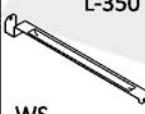
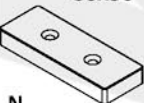
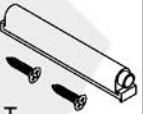









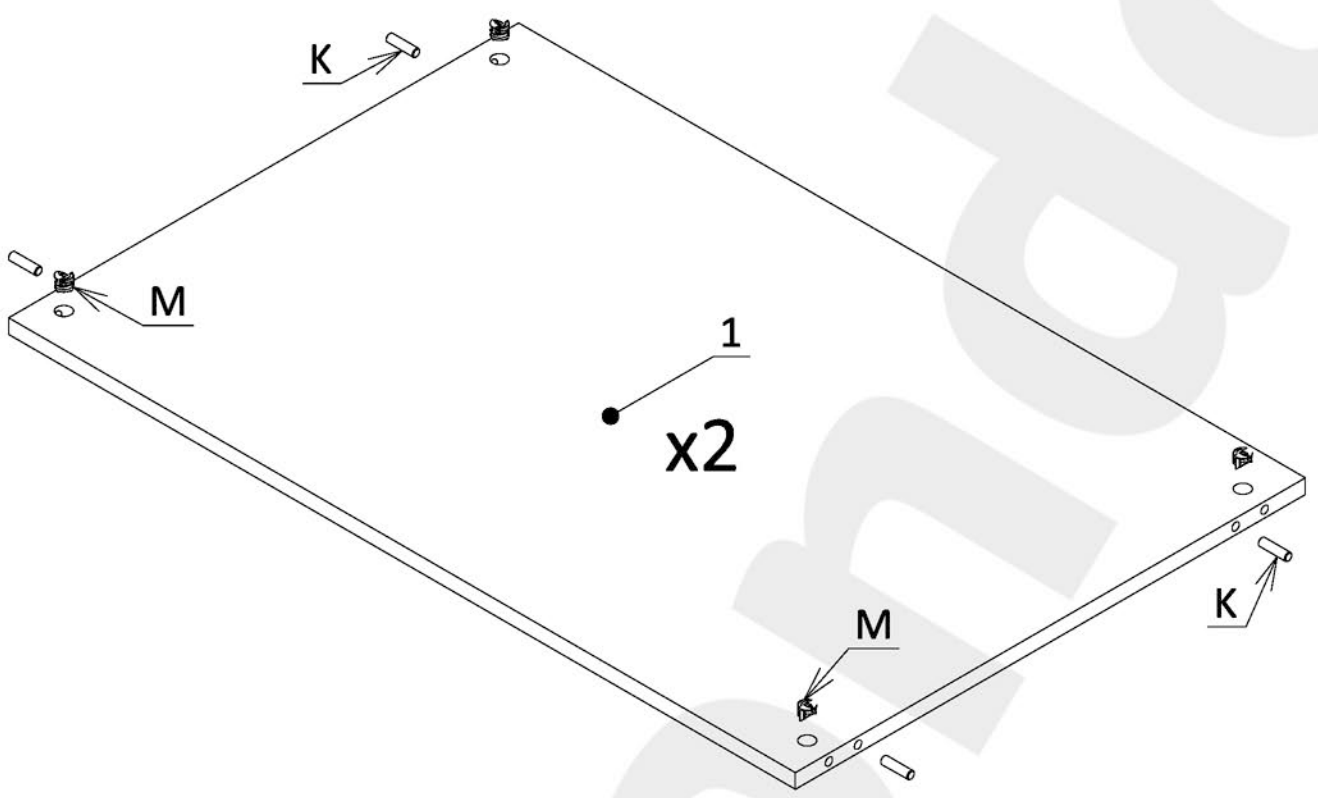



 M 28x	 M1 28x	 F 4x	 U 2x	 2kpl. PK-0H35-350					
 D 1x	 H 1x	 Z1 6x	 PZ 6x	 E1 16x	 D2 8x	 D3 8x	 D4 16x	 D5 4x	 K 28x
 WS 2x	 N 4x	 T 2x	 W 2x	 S 10x	 ZM 28x	 G 36x	 KL 1x	 SL 2x	 PS 1x

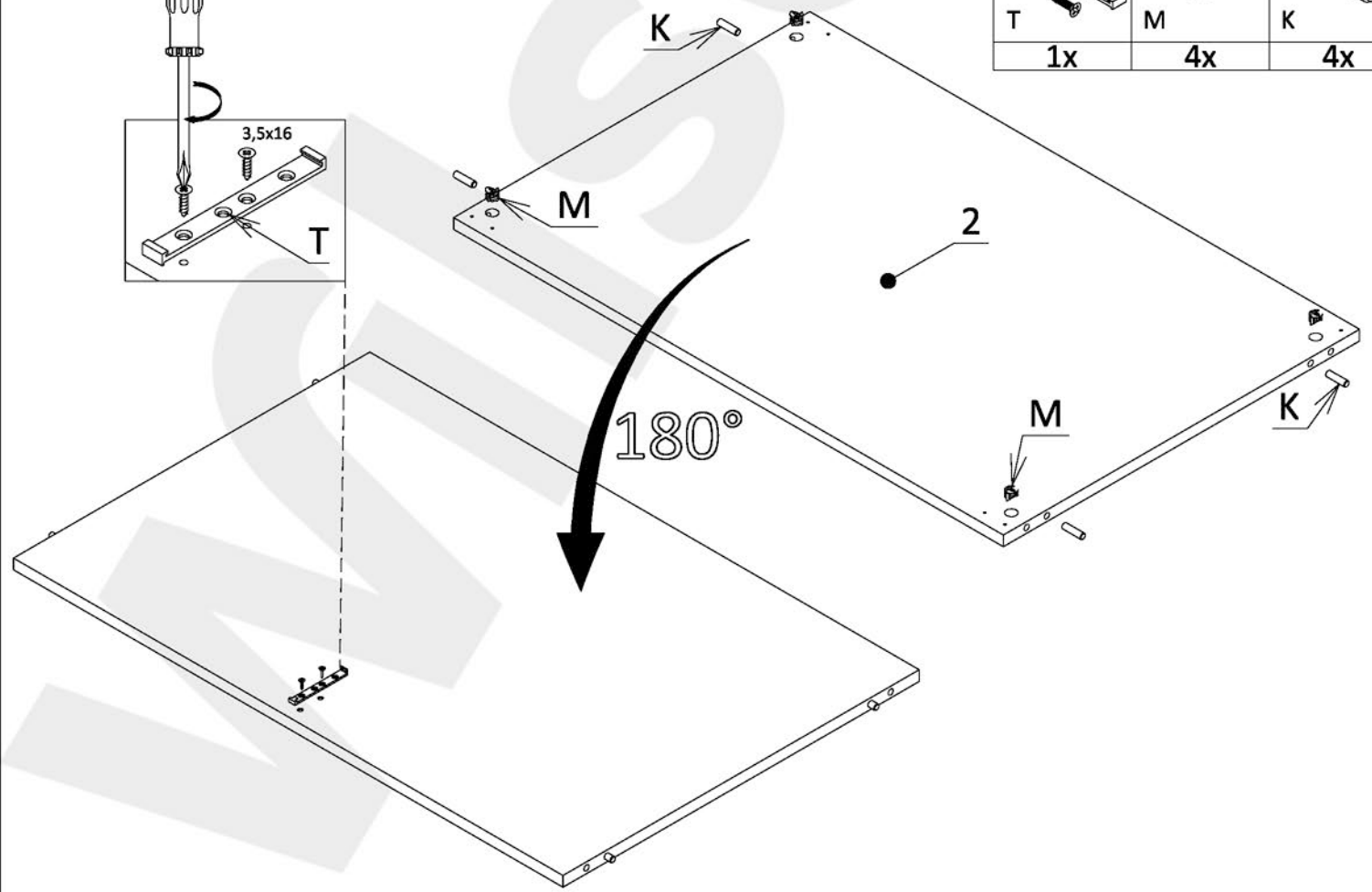
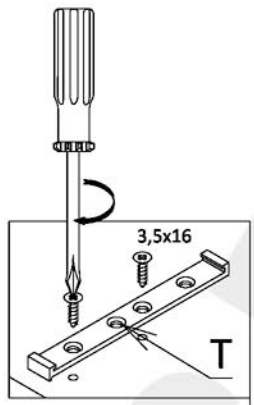
1

	
M	K
8x	8x

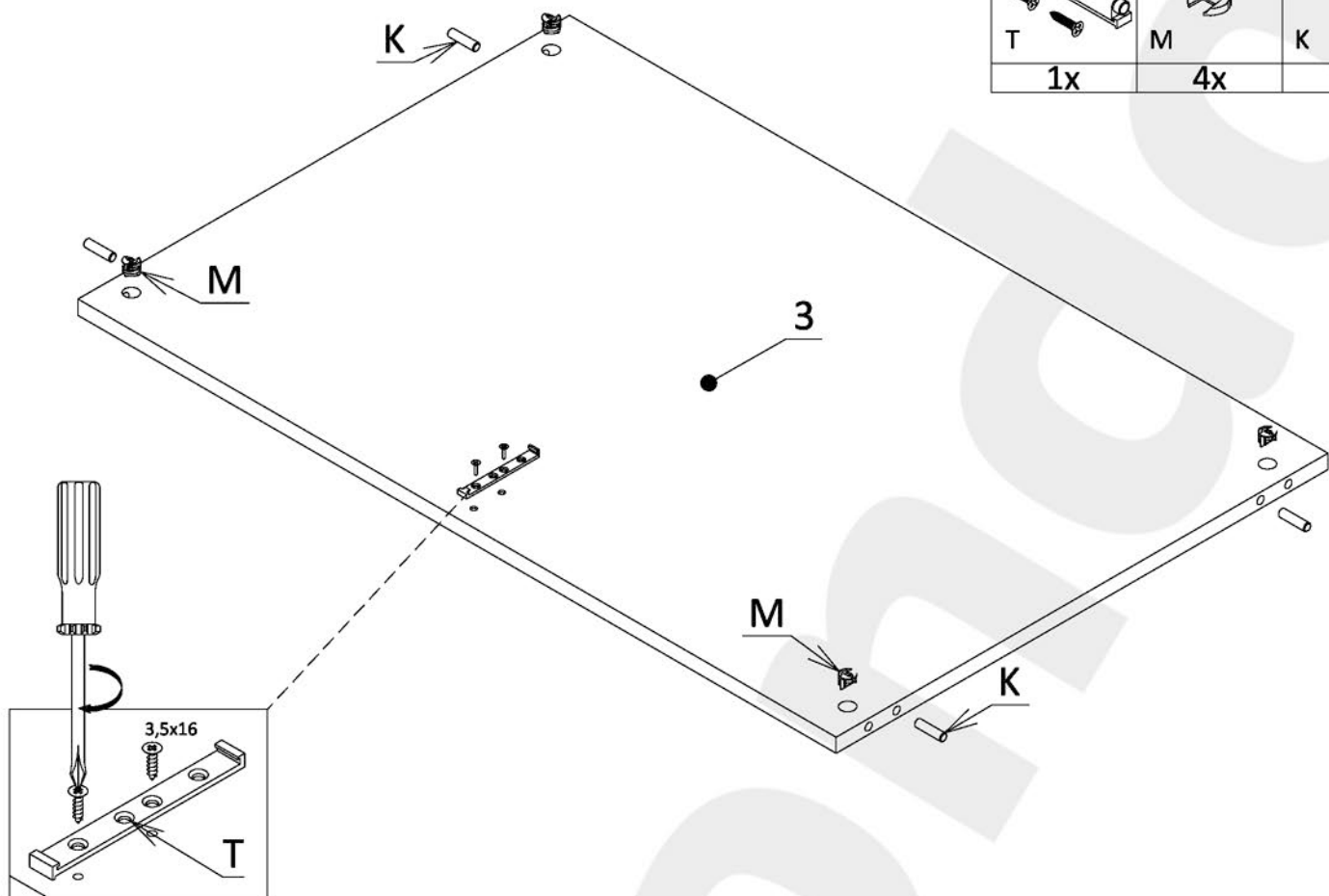


2

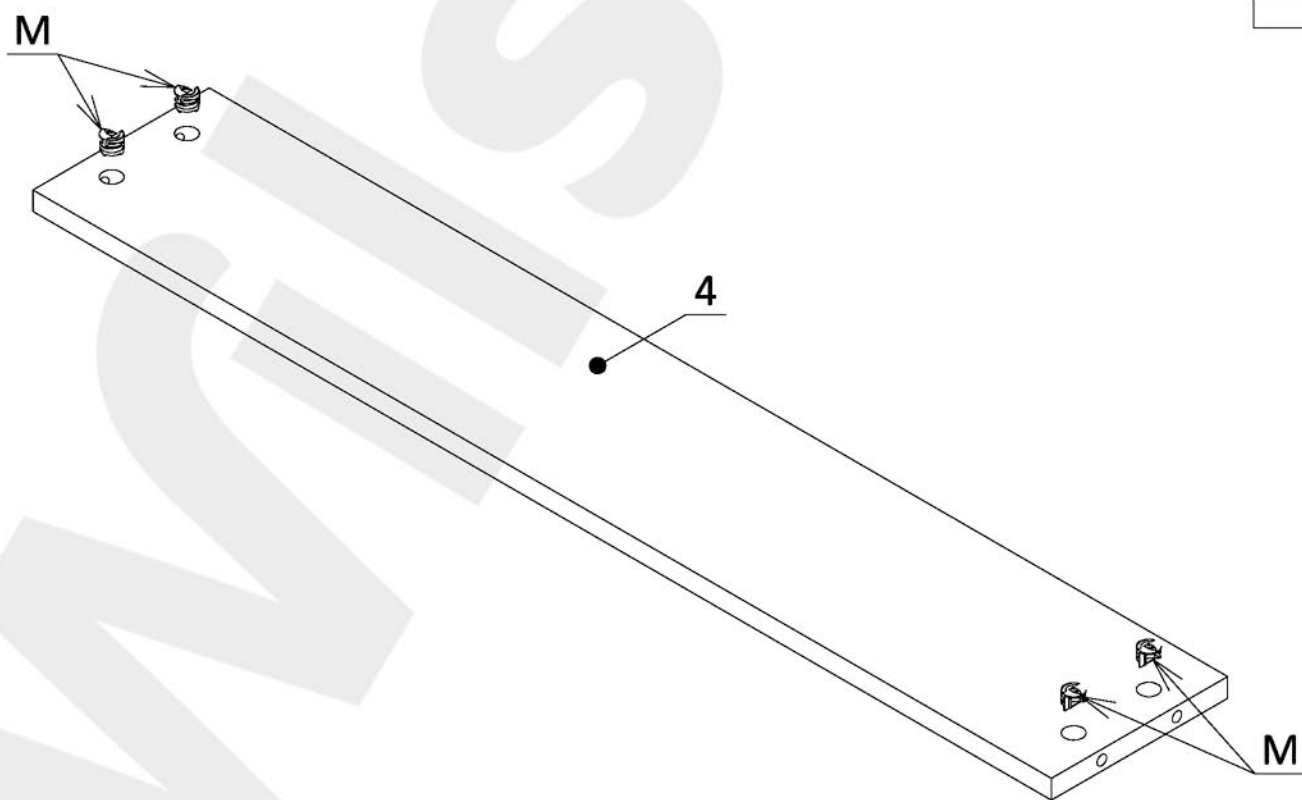
		
T	M	K
1x	4x	4x



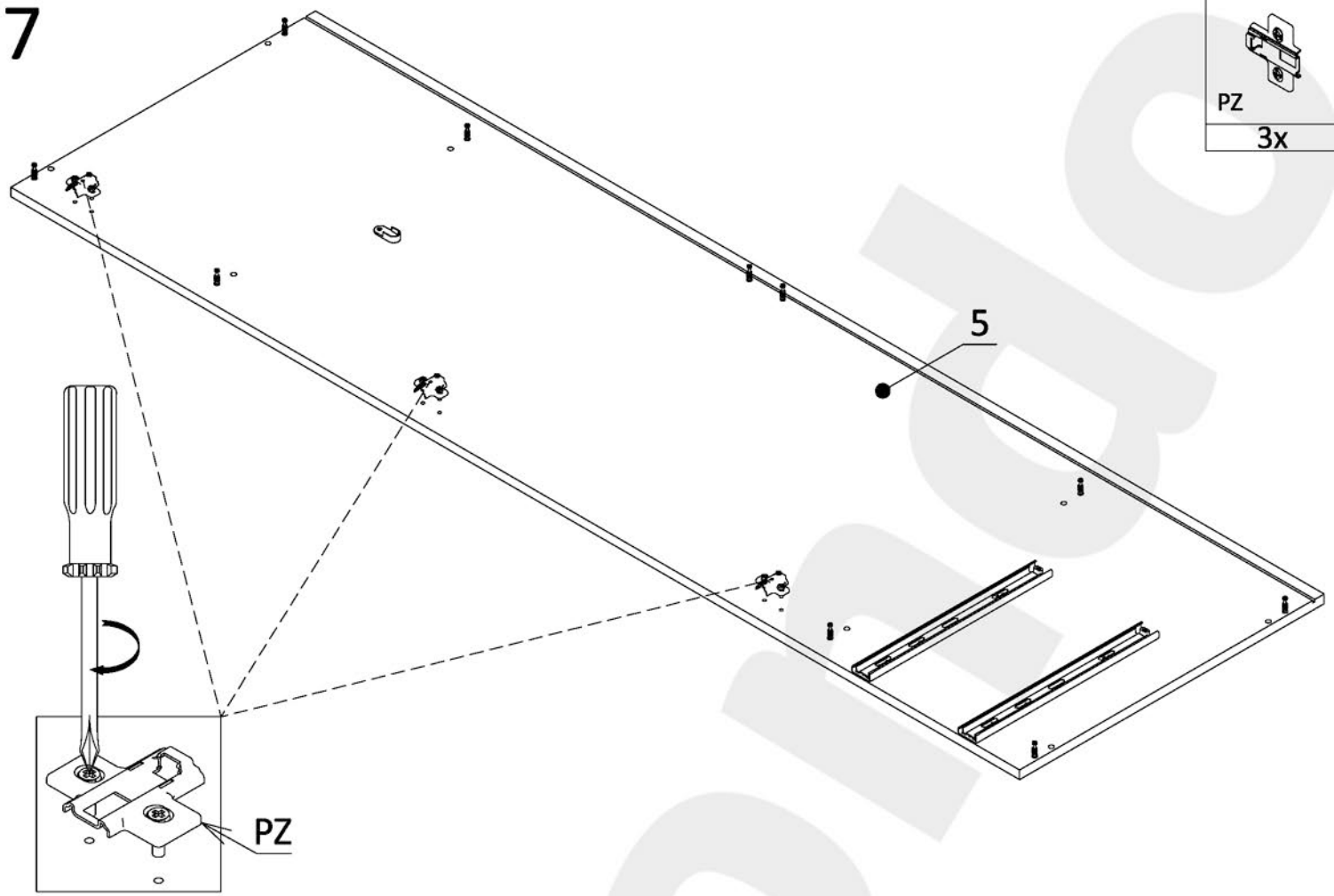
3



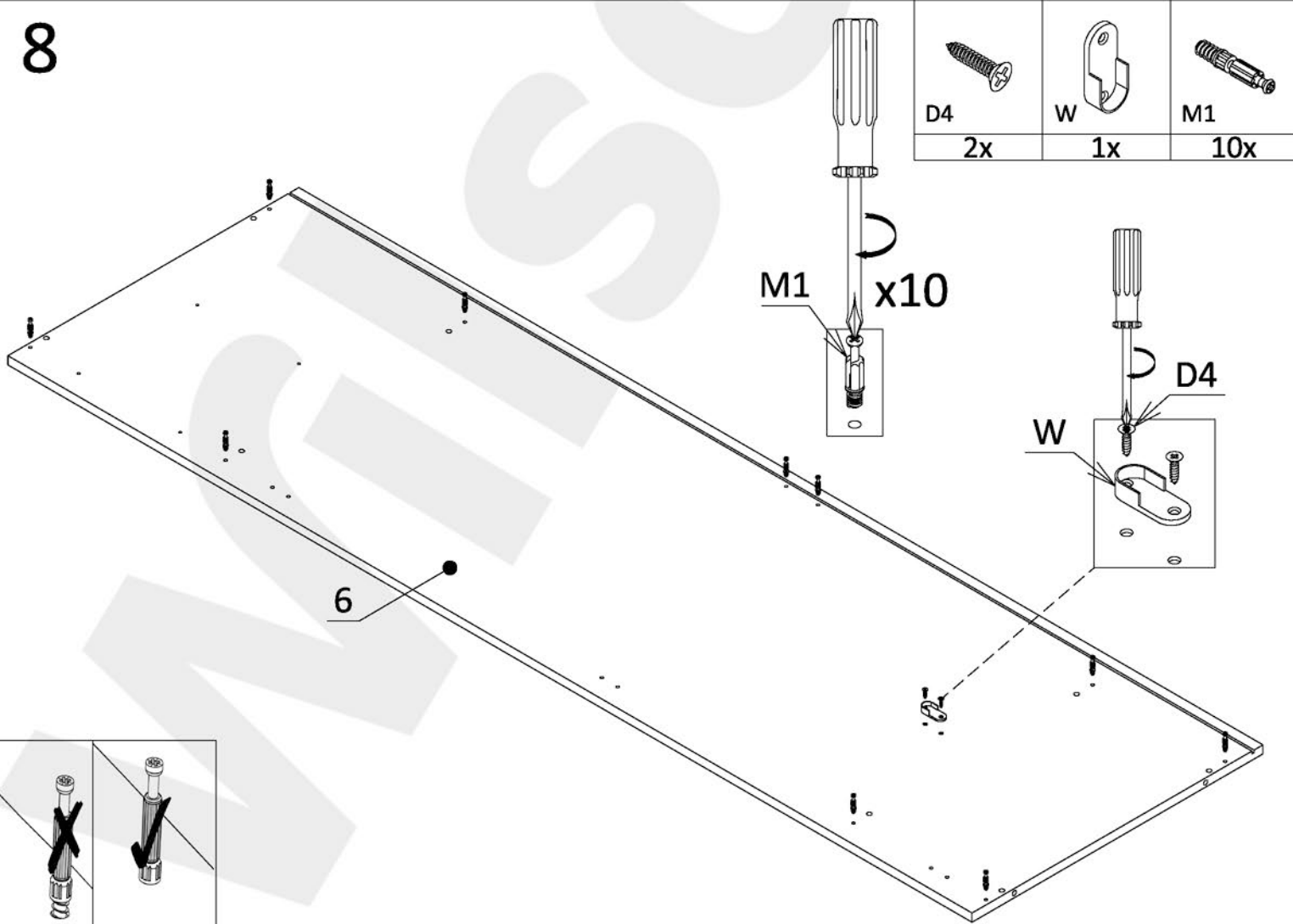
4



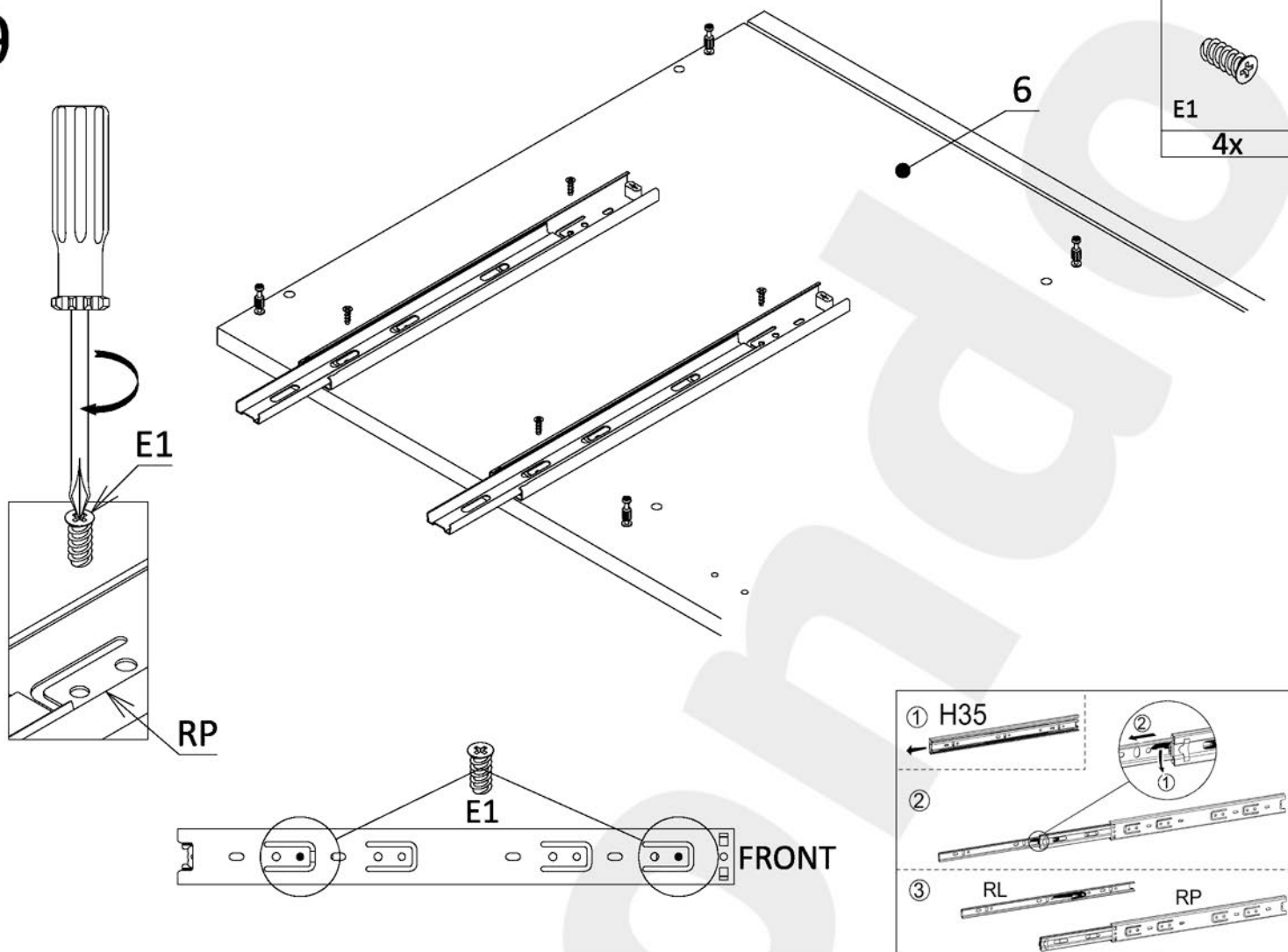
7



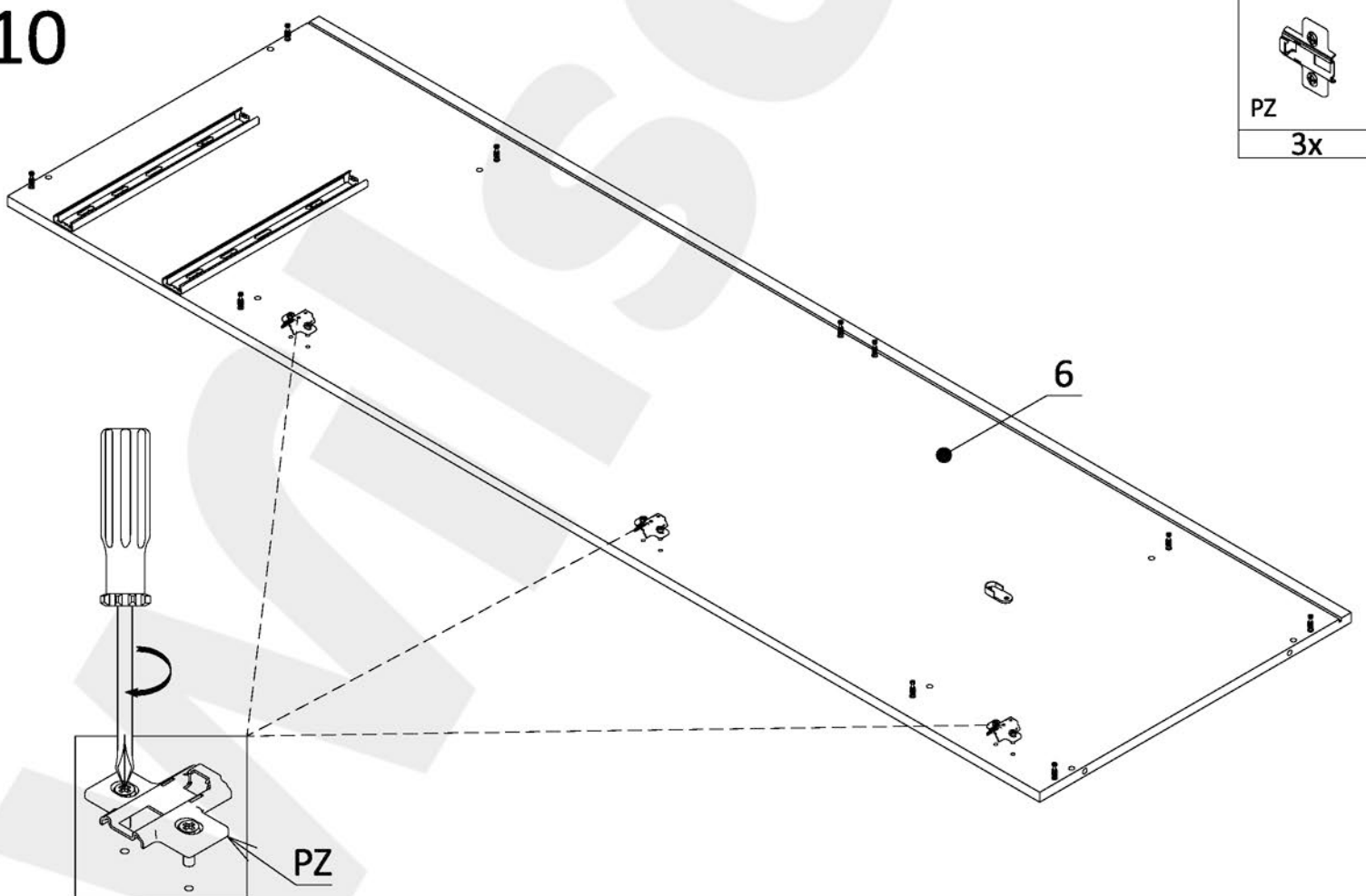
8



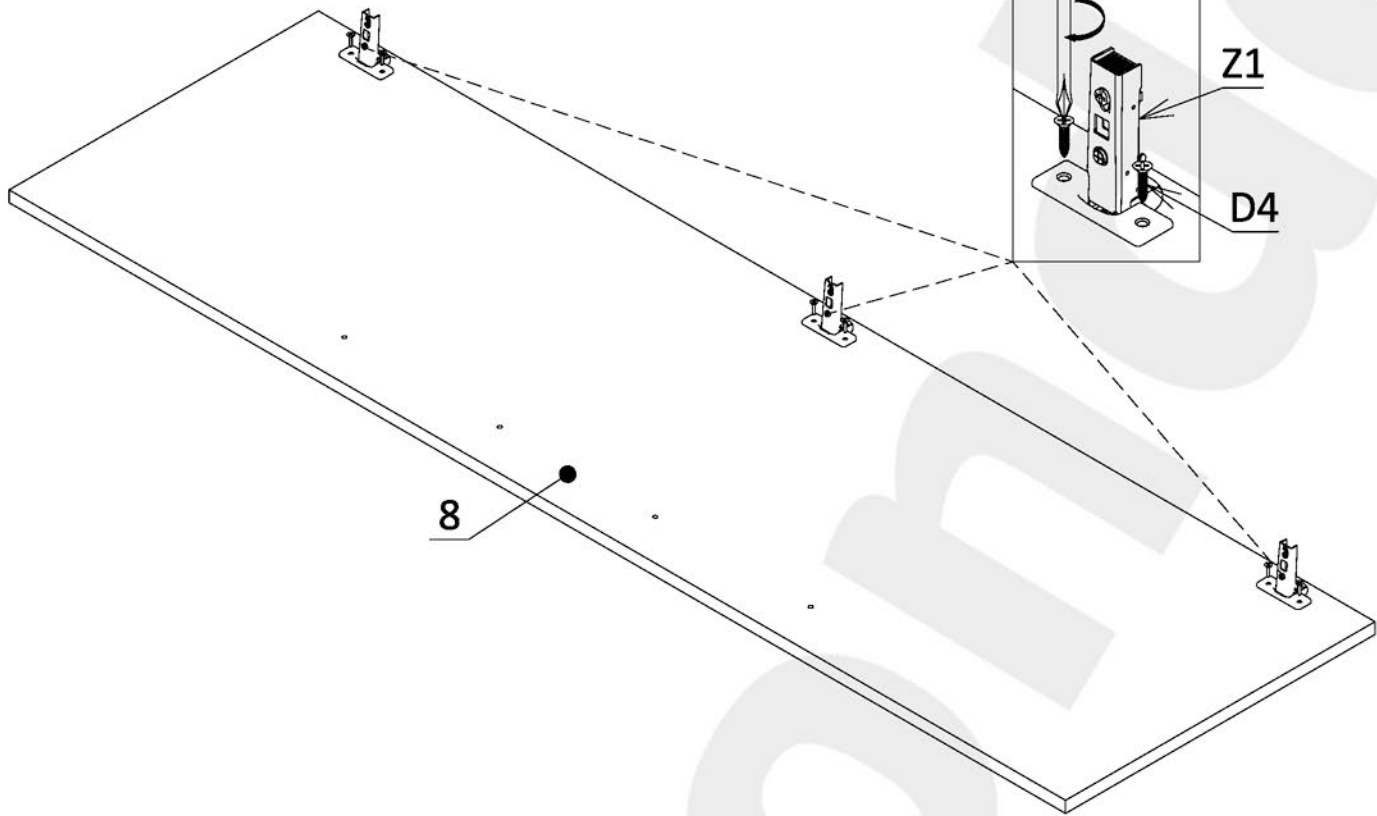
9





10

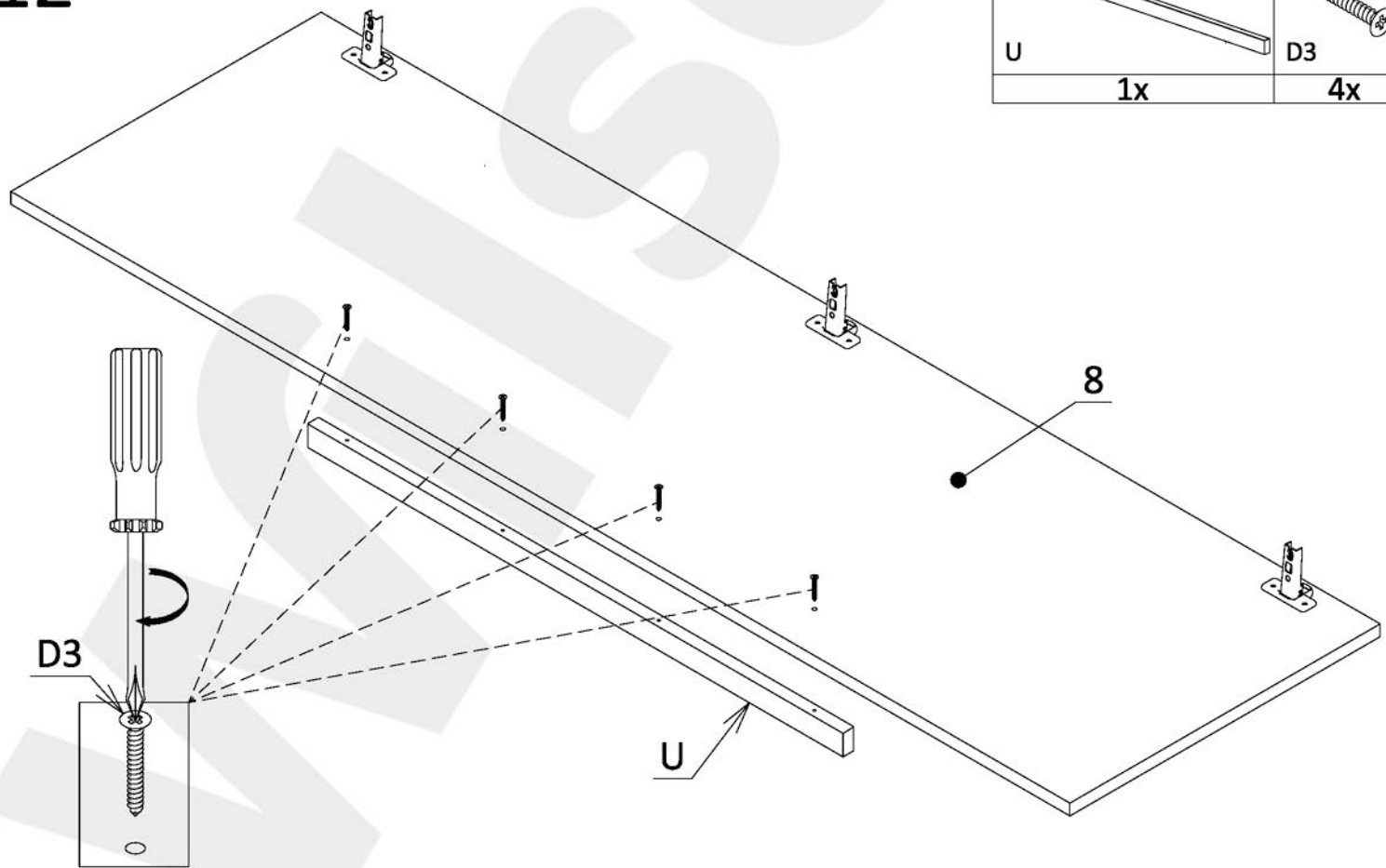


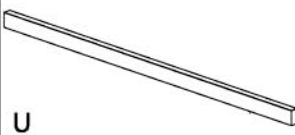

11



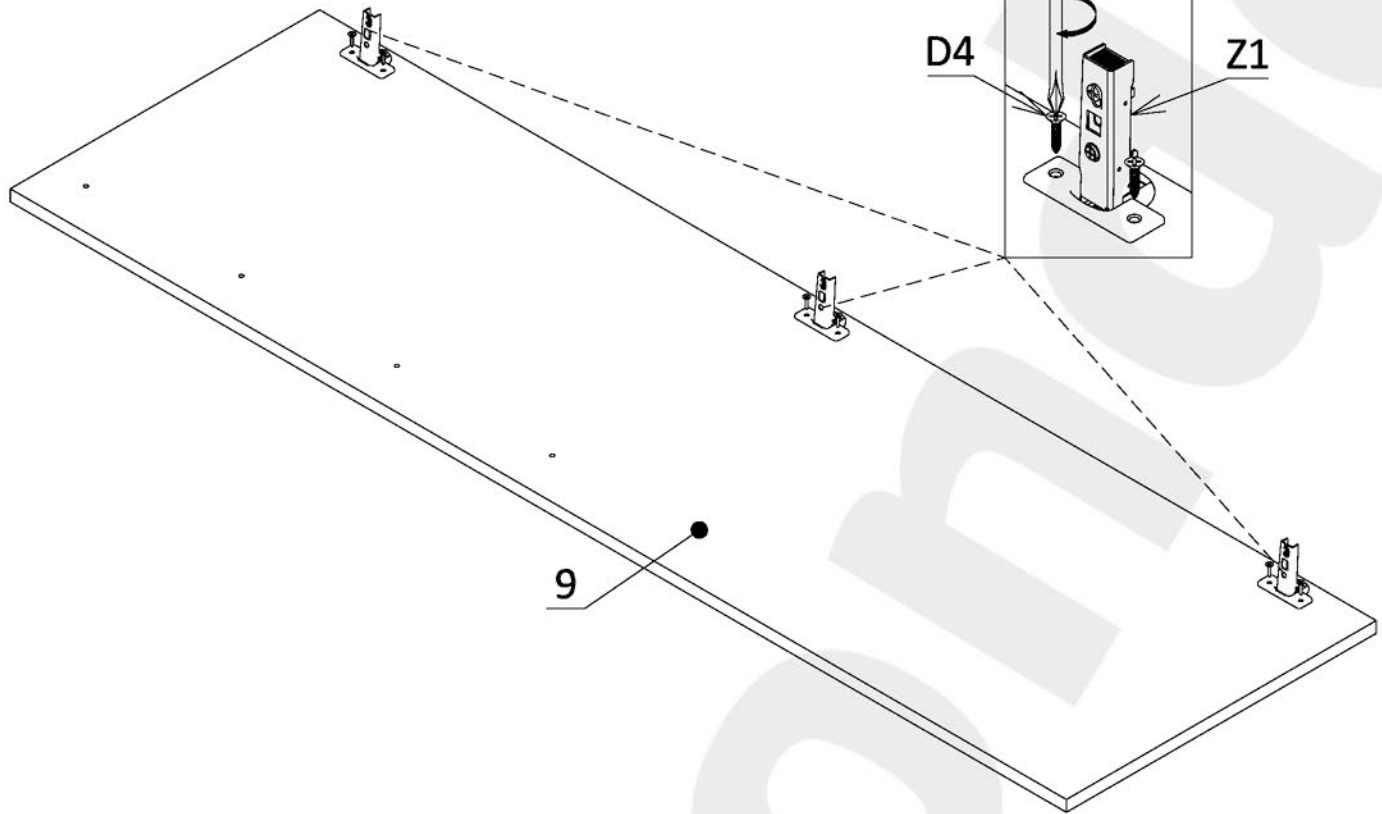
	
D4	Z1
6x	3x



12



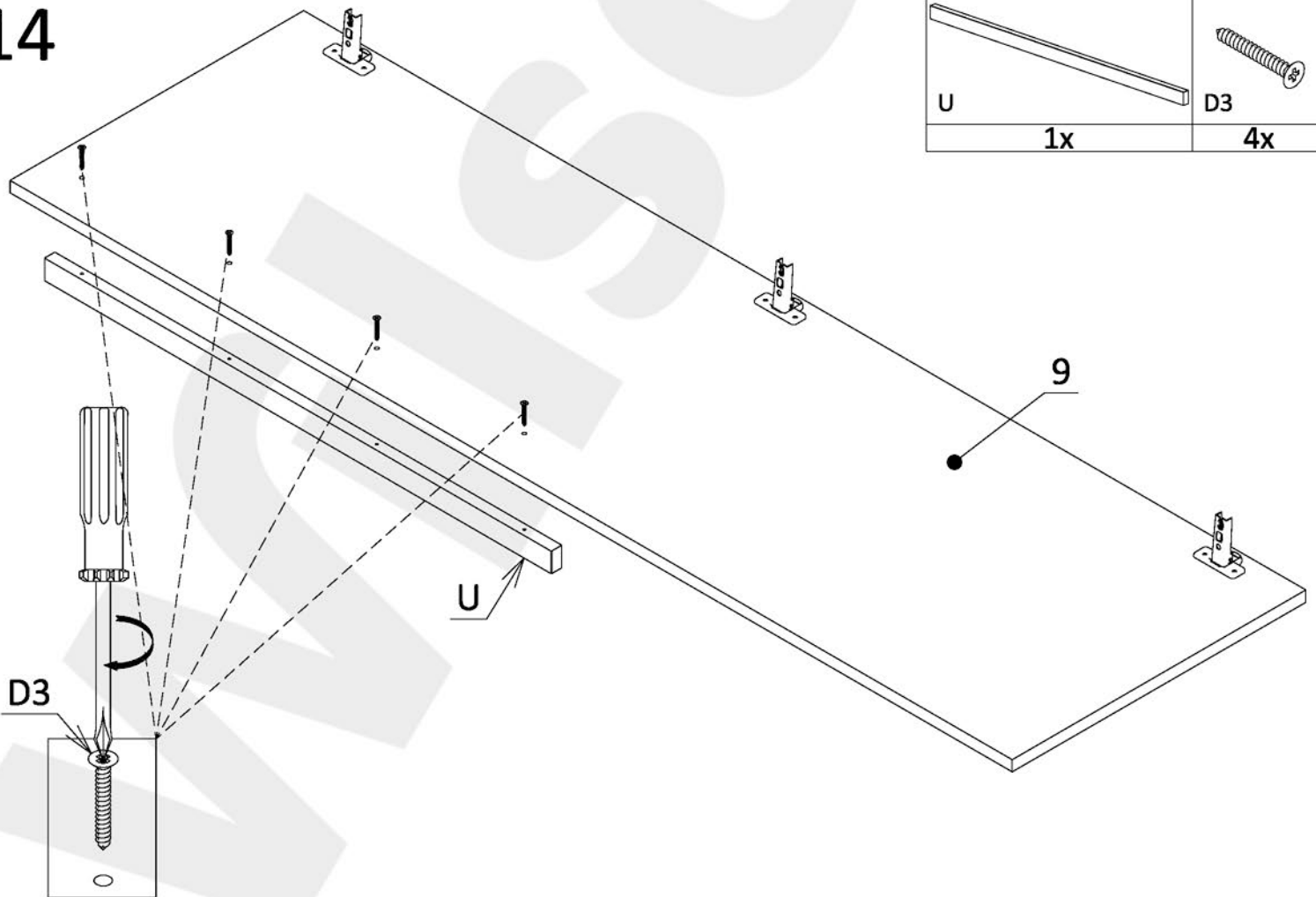
	
U	D3
1x	4x



13



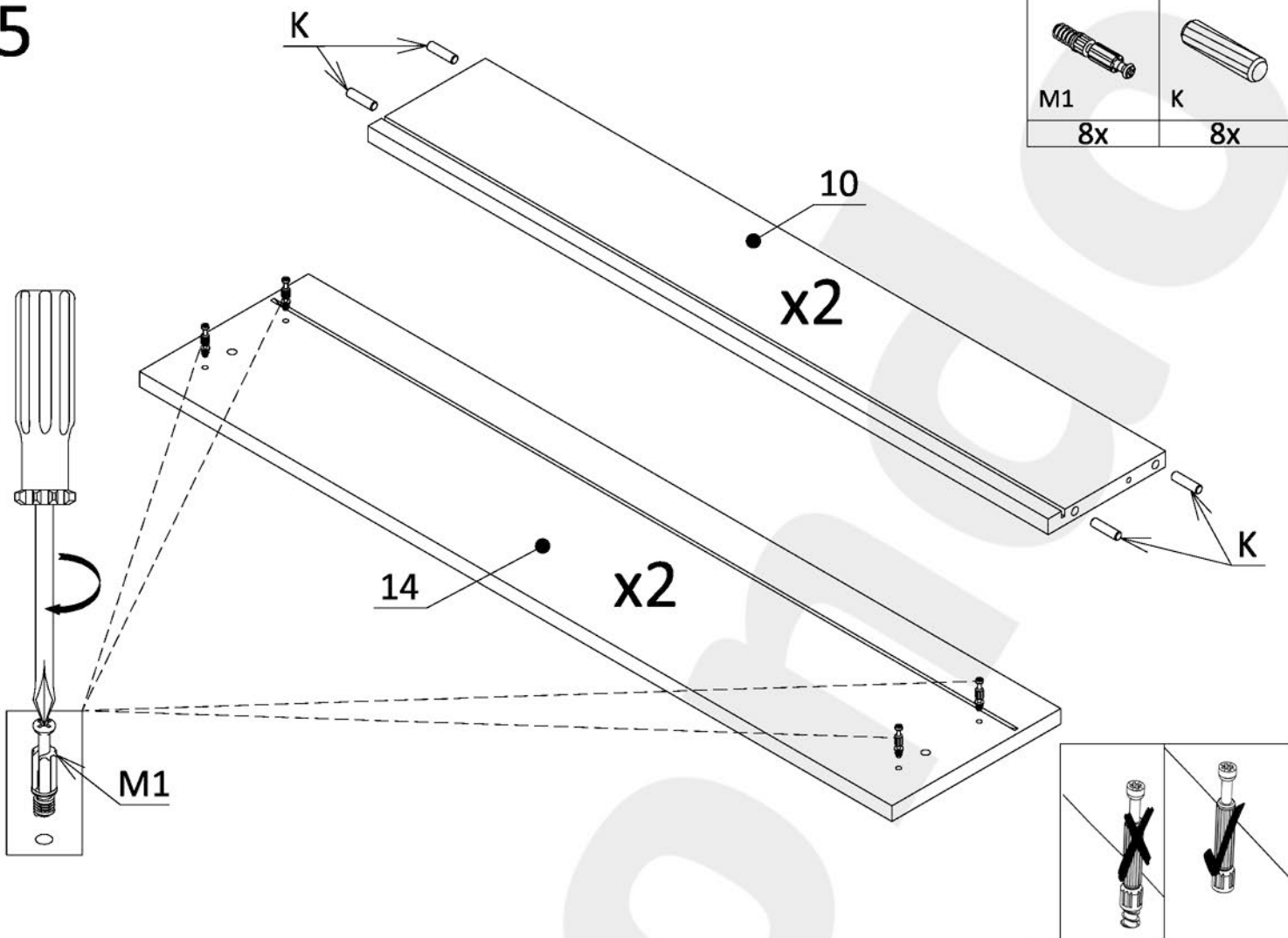
	
D4	Z1
6x	3x

14

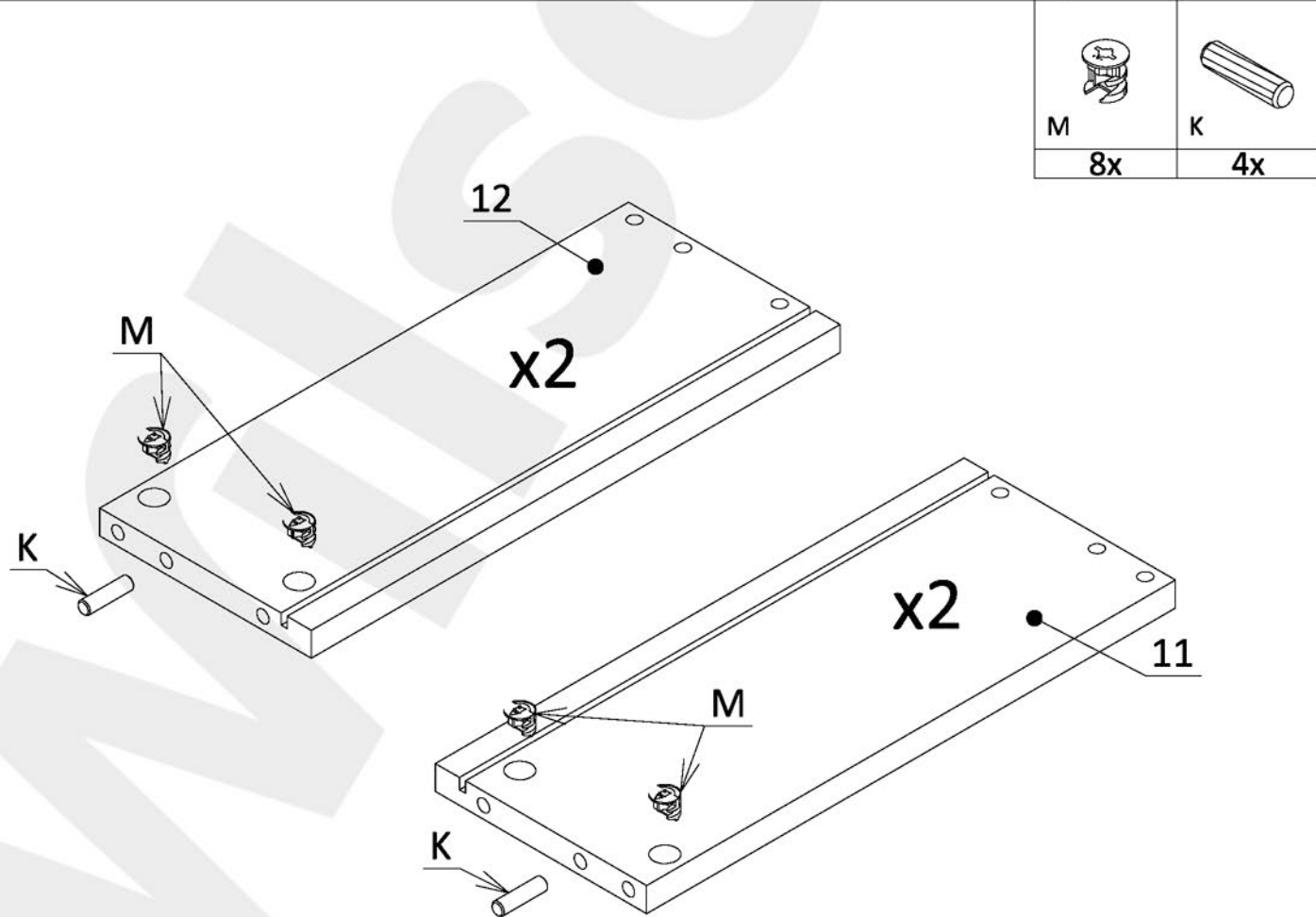


	
U	D3
1x	4x

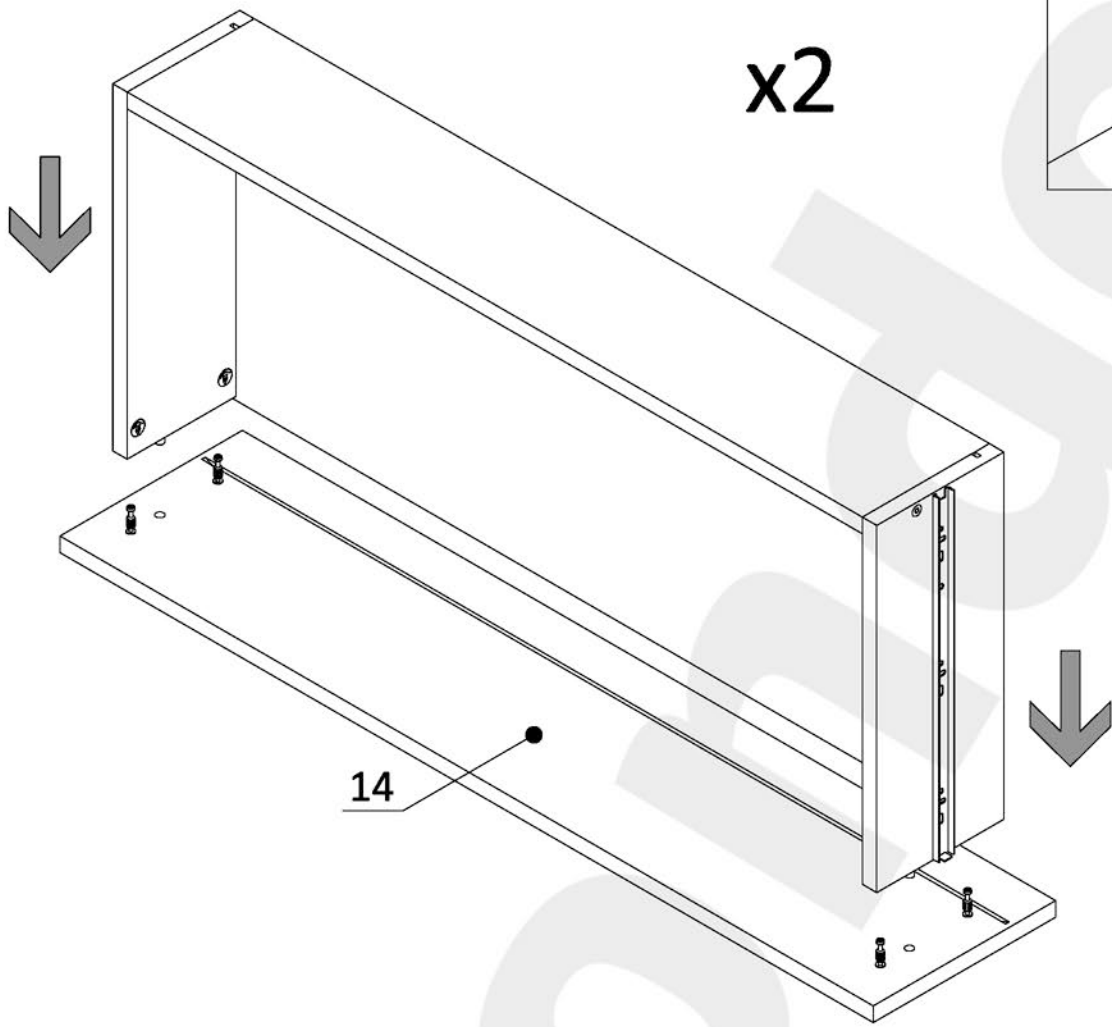
15



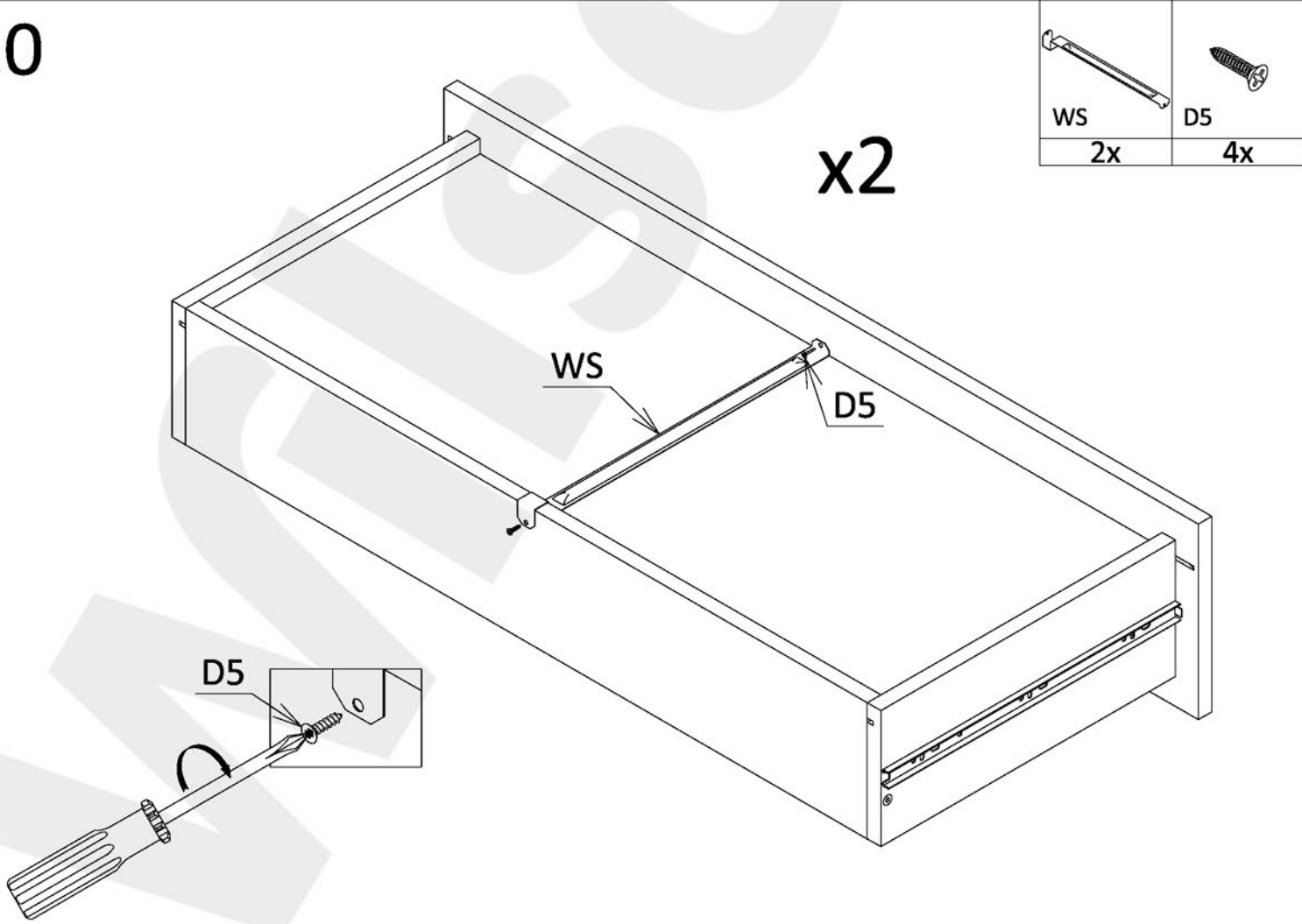
16



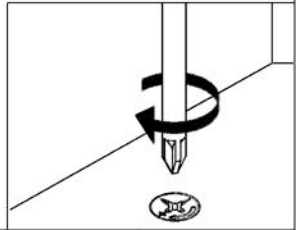
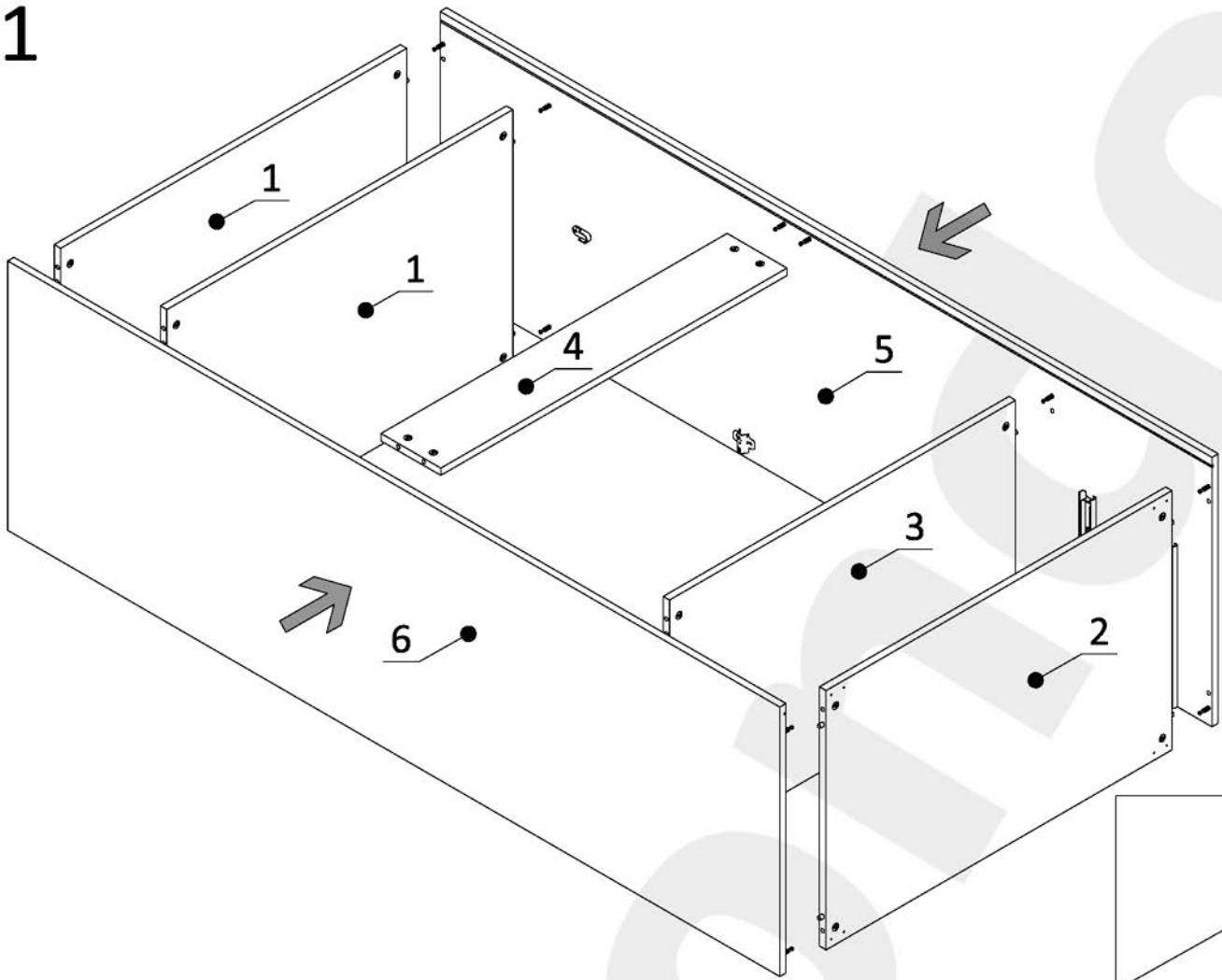
19



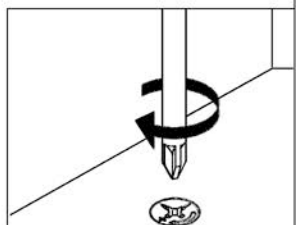
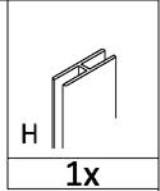
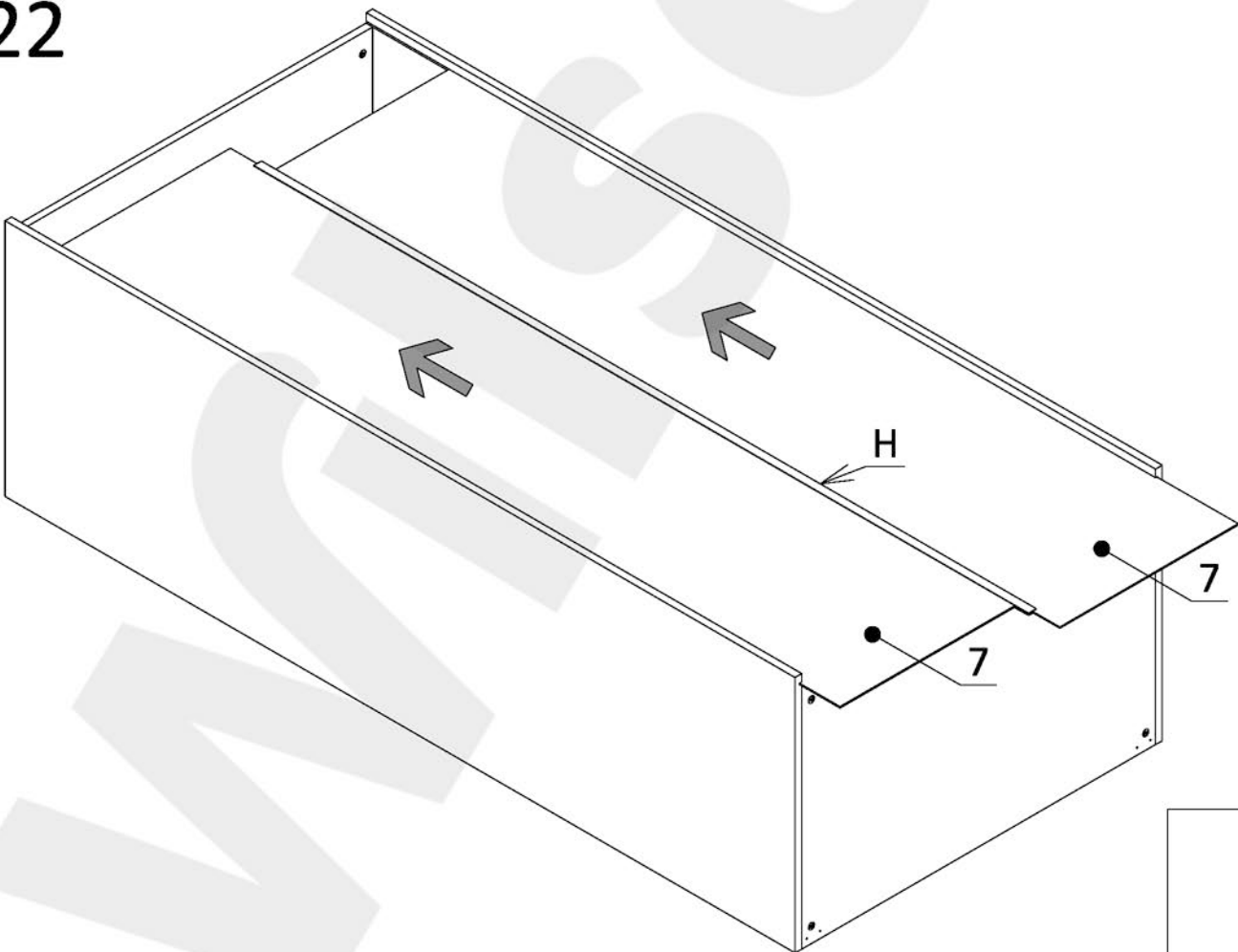
20



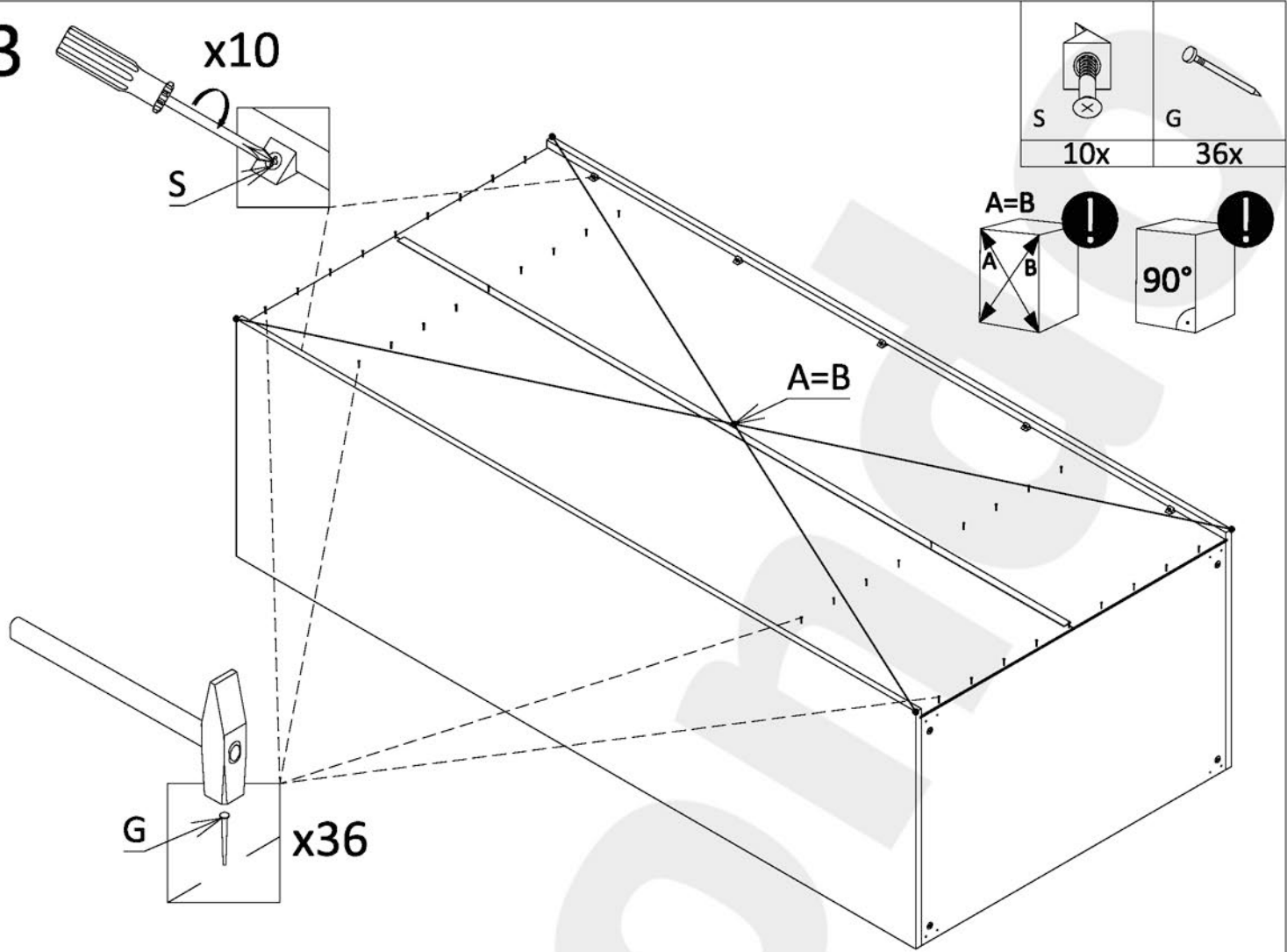
21



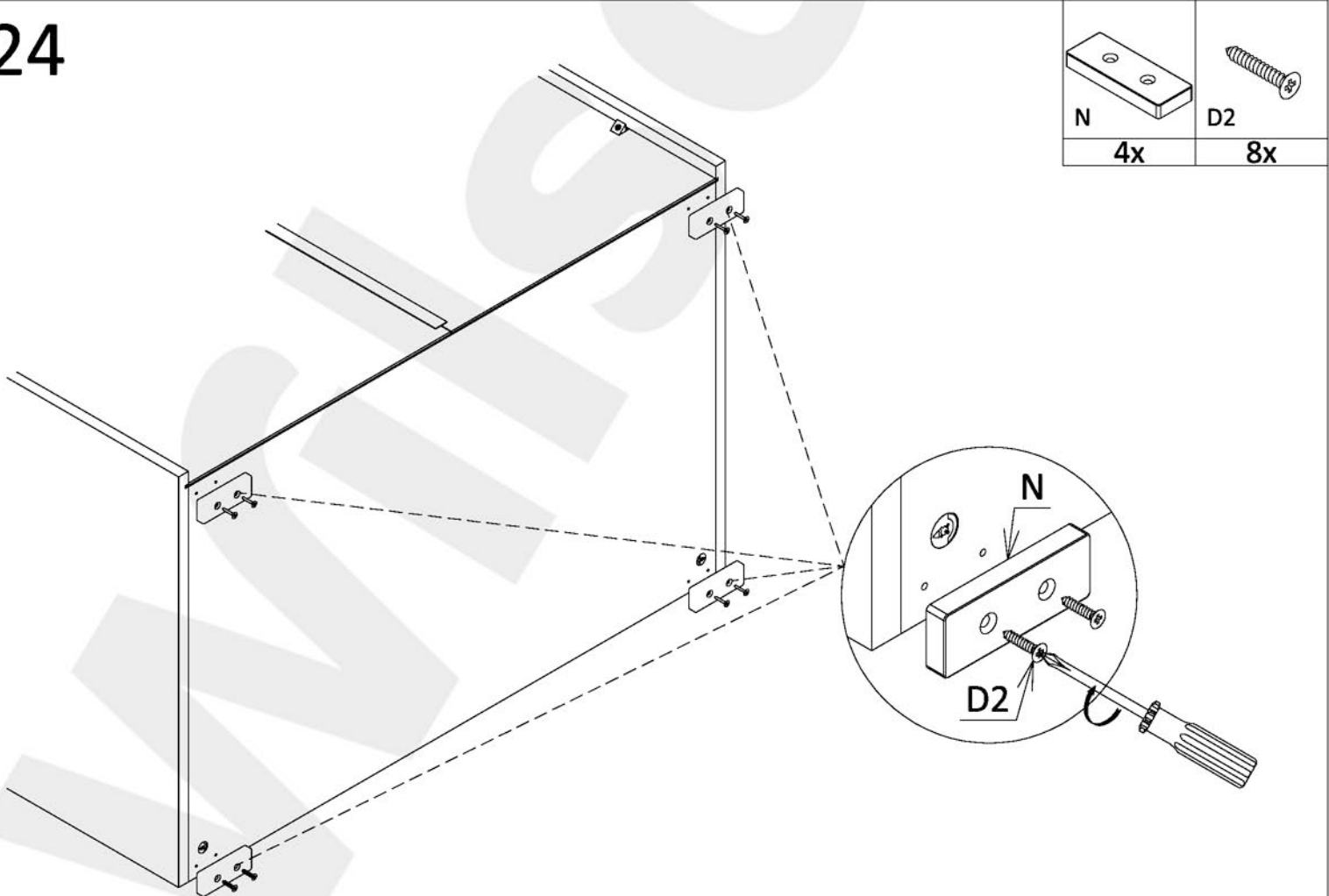
22



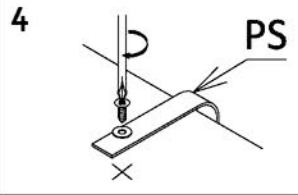
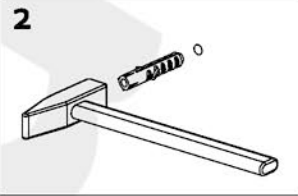
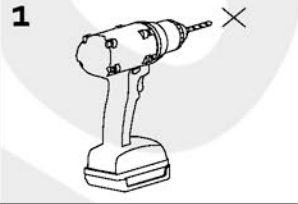
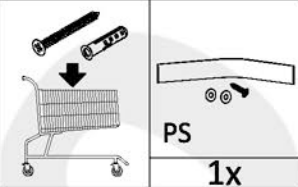
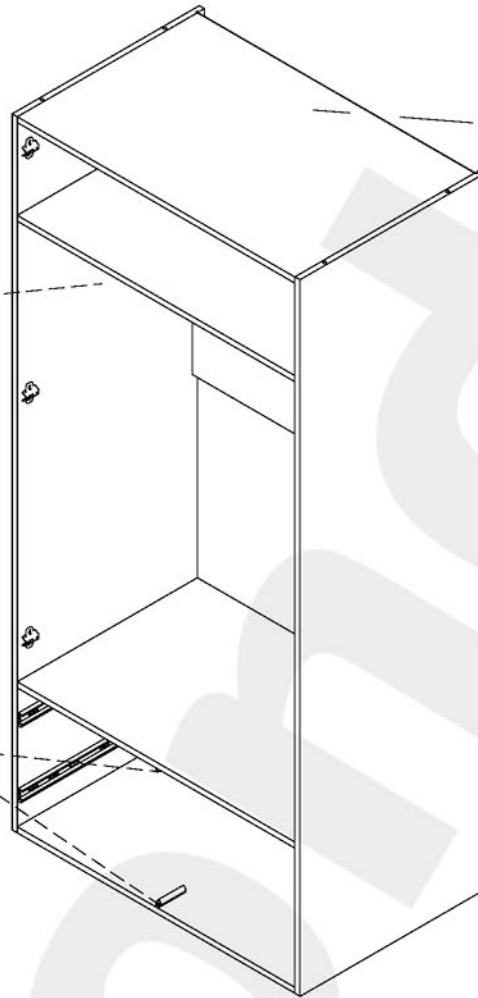
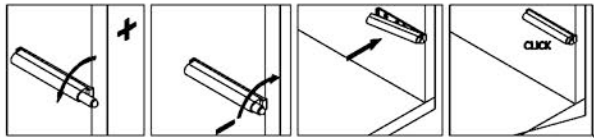
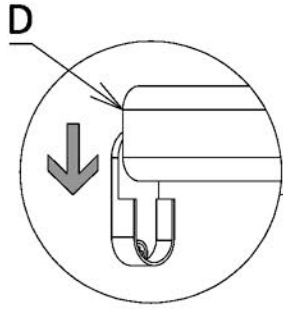
23



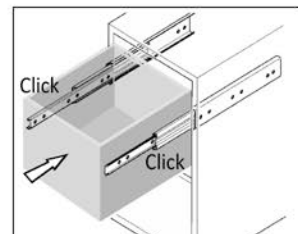
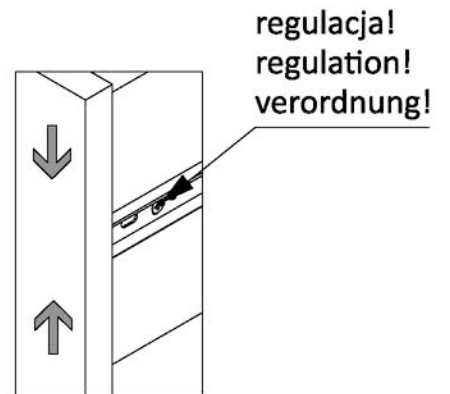
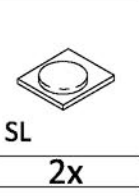
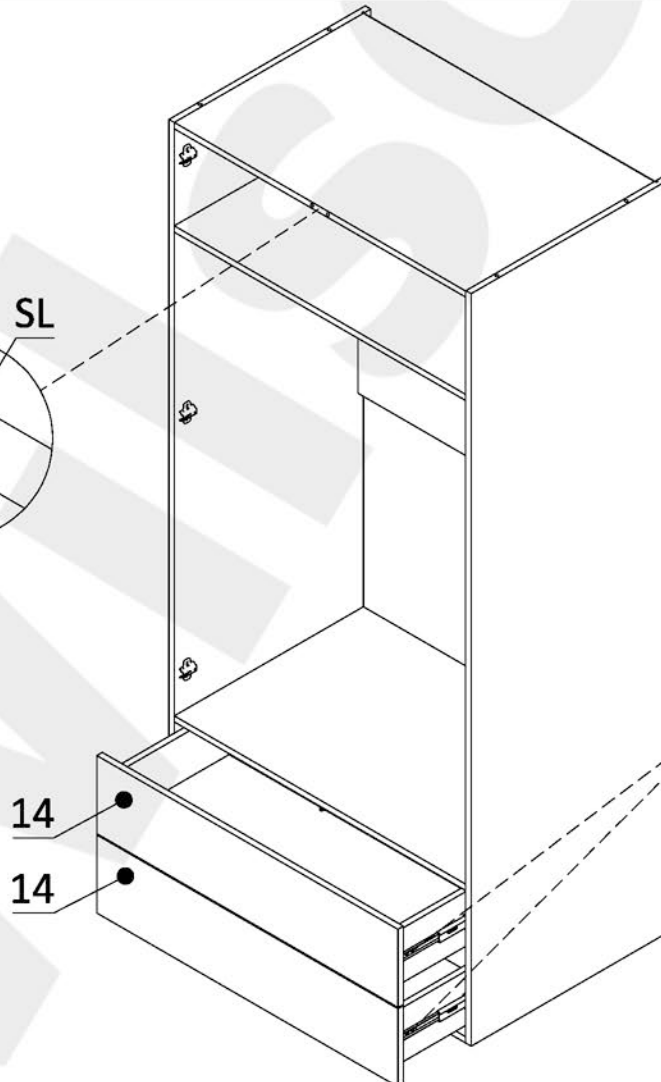
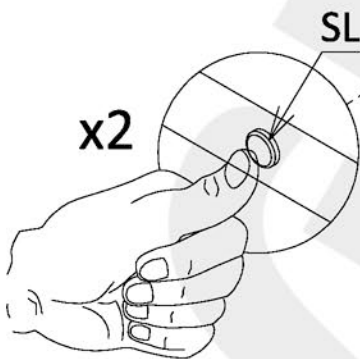
24



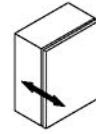
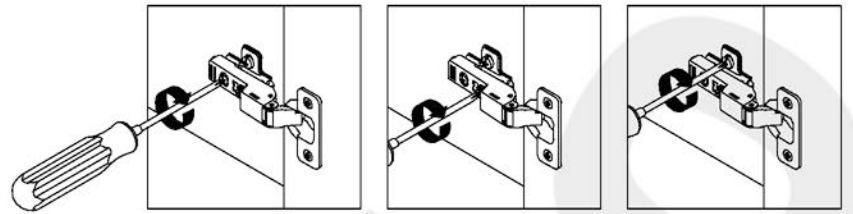
25



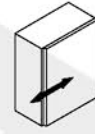
26



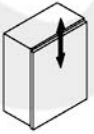
27



±2mm



±2mm



±2mm

