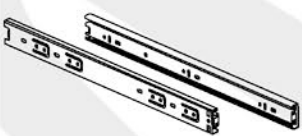





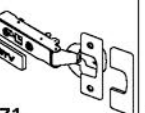




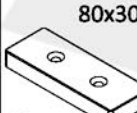






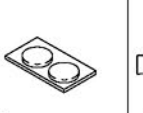
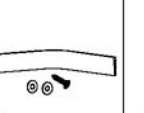



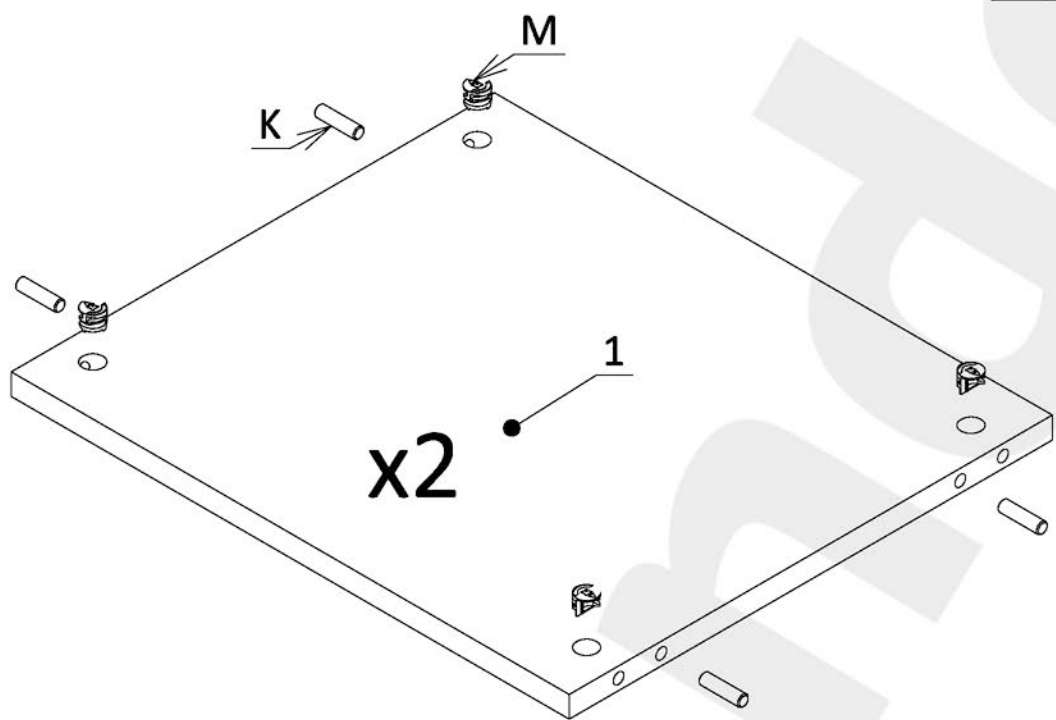




 U 1x		 2kpl. PK-OH35-350									
 F 4x	 E1 16x	 D2 8x	 D3 4x	 D4 6x	 Z1 3x	 PZ 3x	 K 28x	 M 24x	 M1 24x		
 N 4x	 T 2x	 P 8x	 G 20x	 S 10x	 ZM 24x	 KL 1x	 SL 2x	 PS 1x	 ZP 6x		

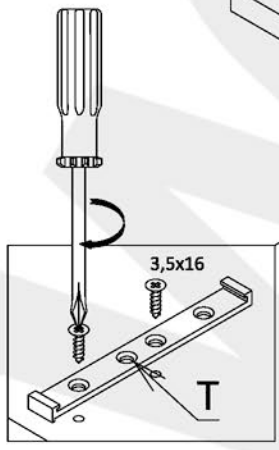
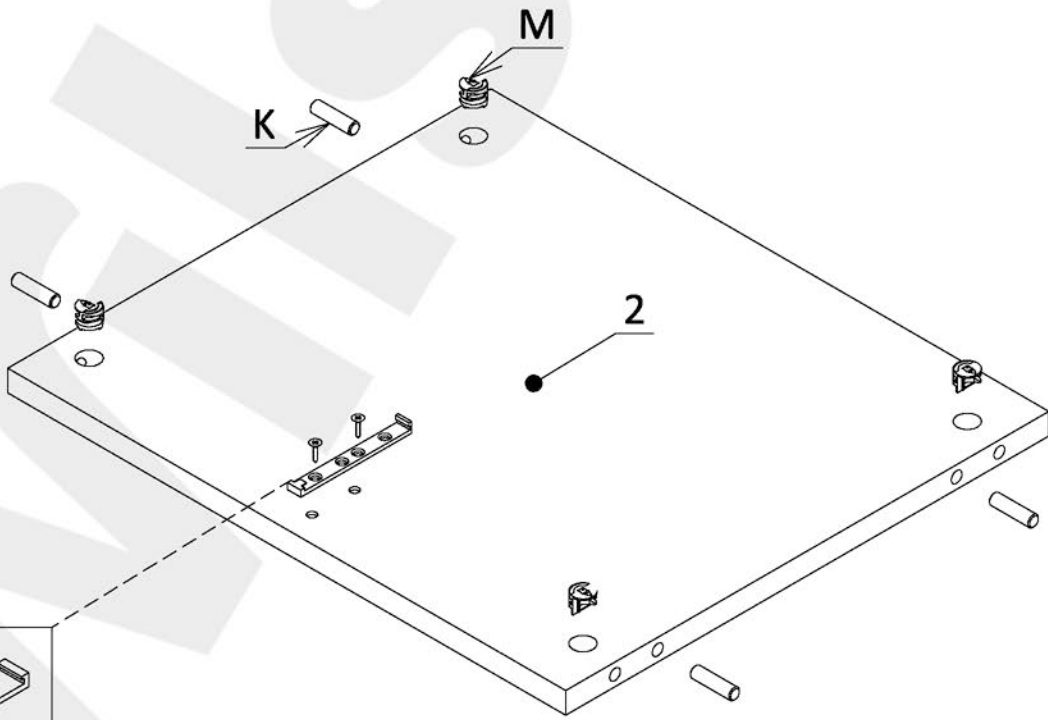
1

	
M	K
8x	8x

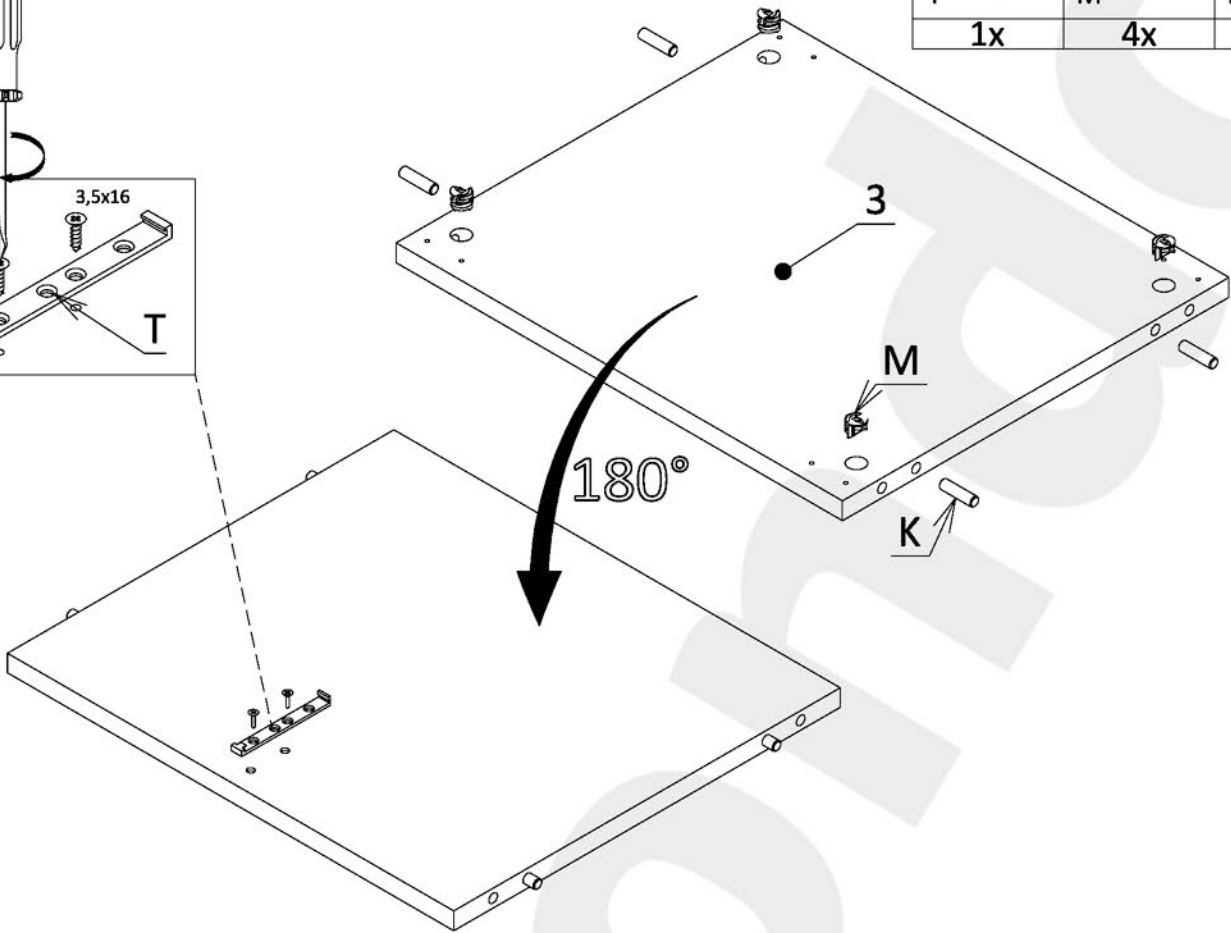
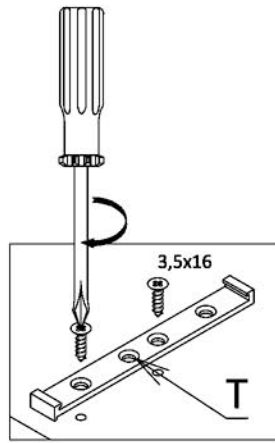


2

 		
T	M	K
1x	4x	4x

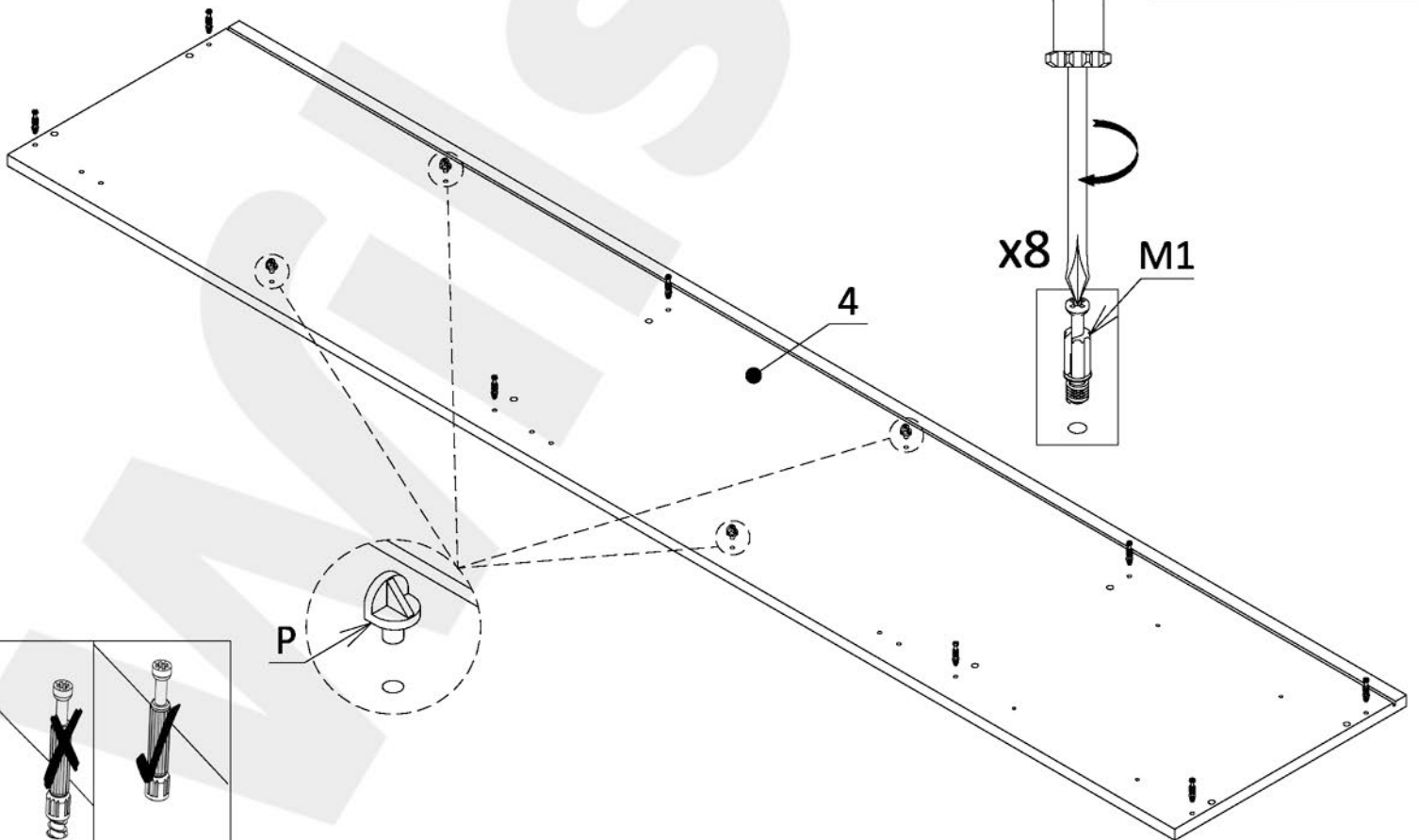


3



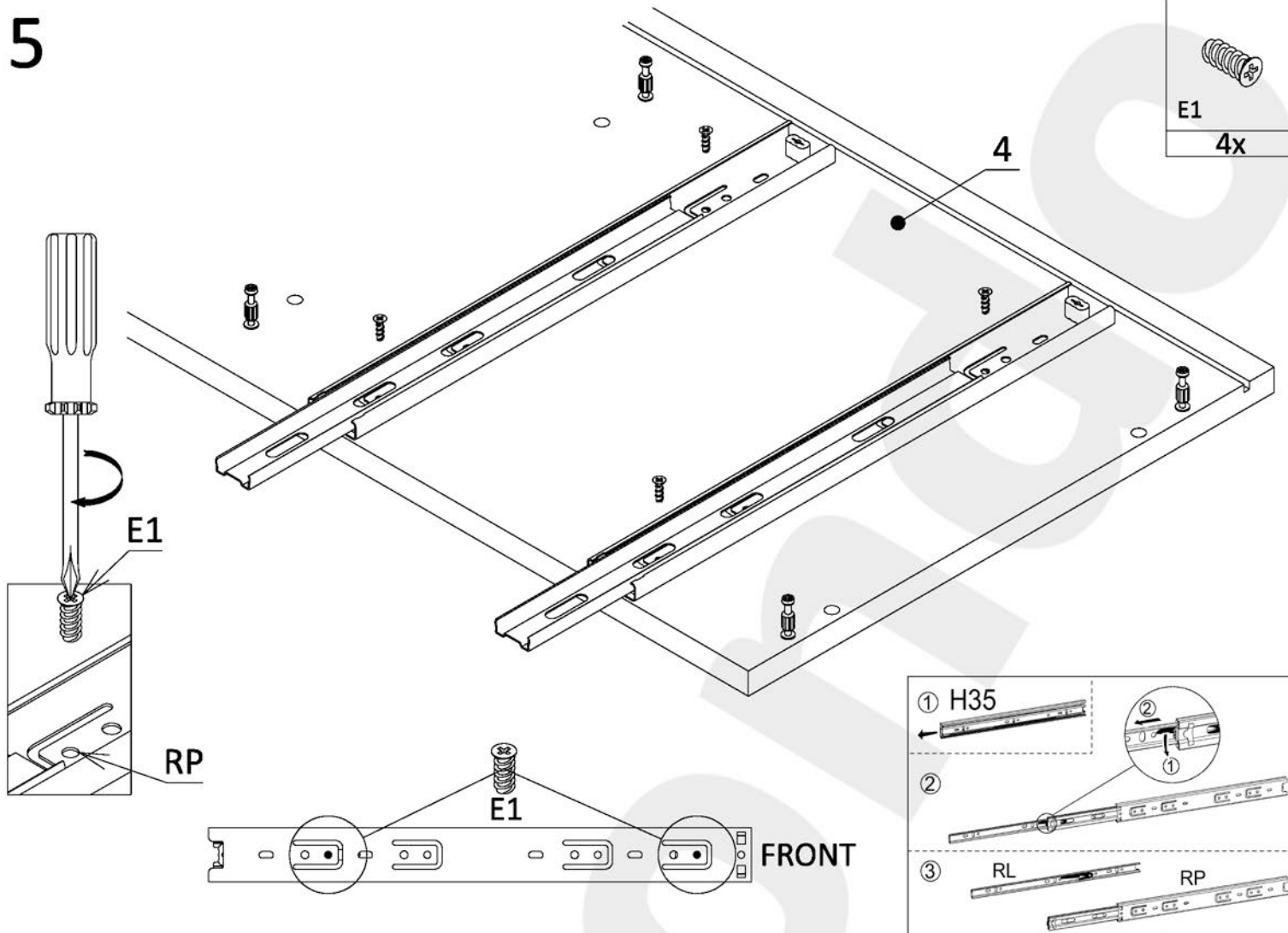
 T	 M	 K
1x	4x	4x

4

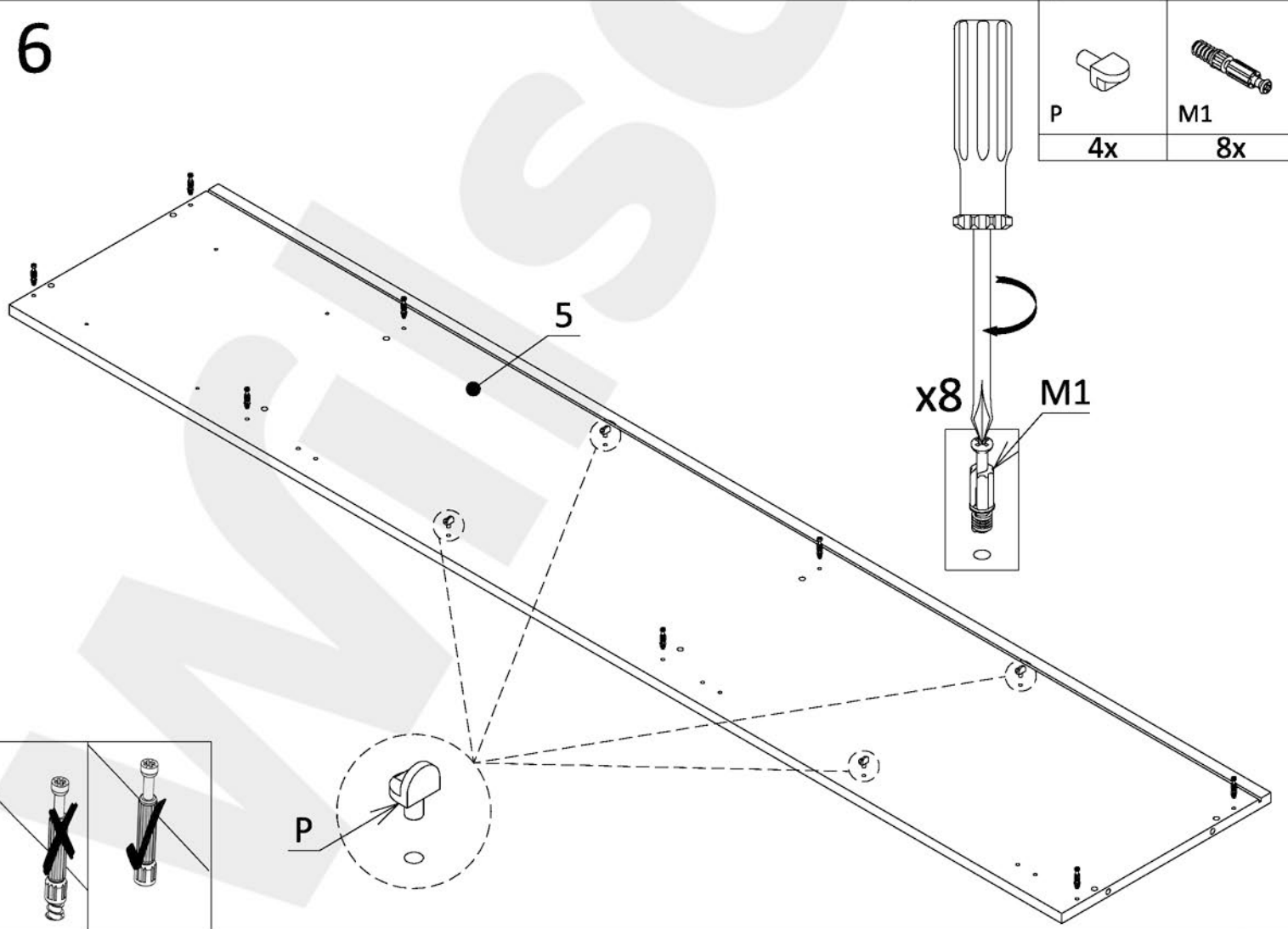


 P	 M1
4x	8x

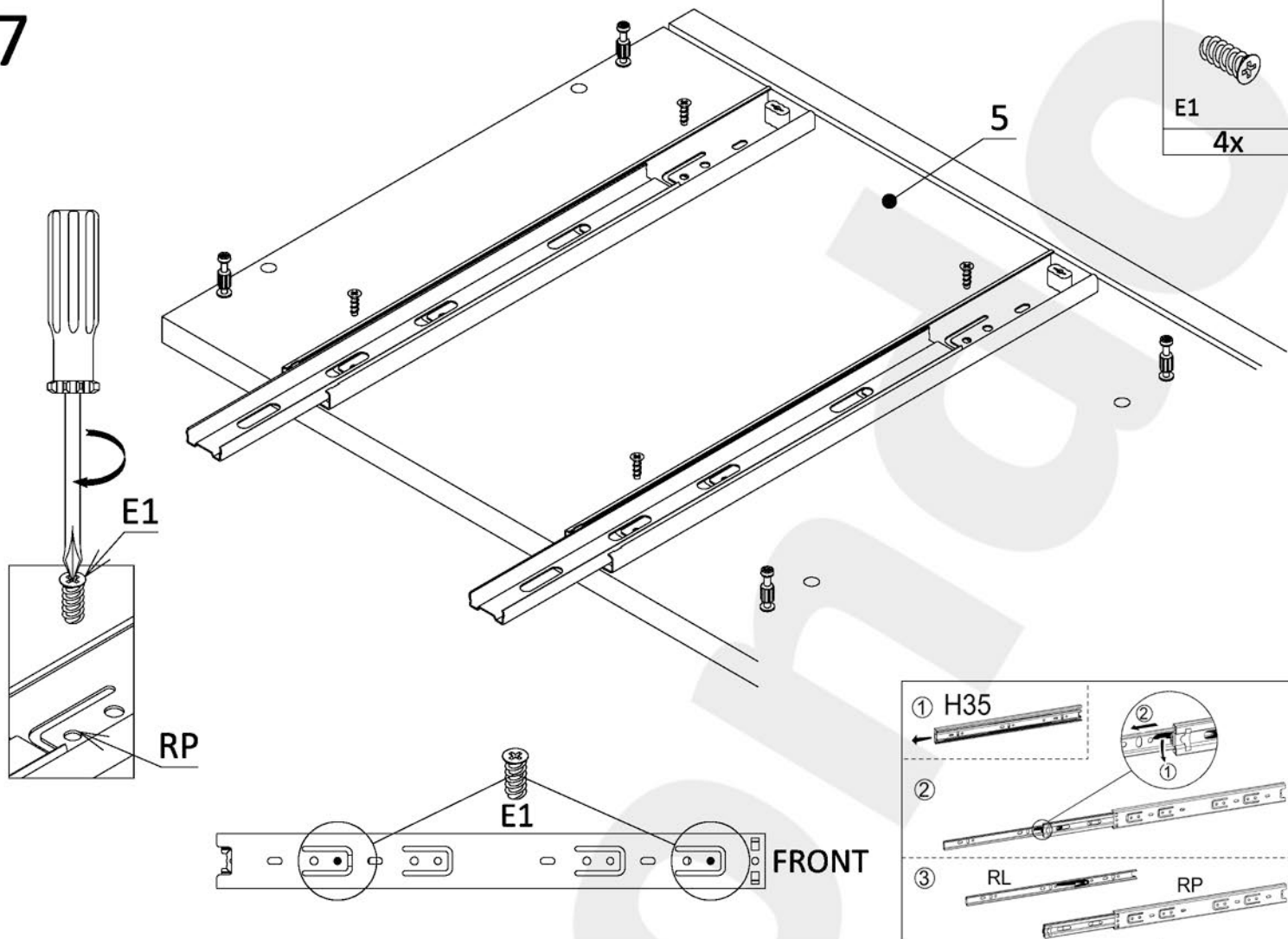
5



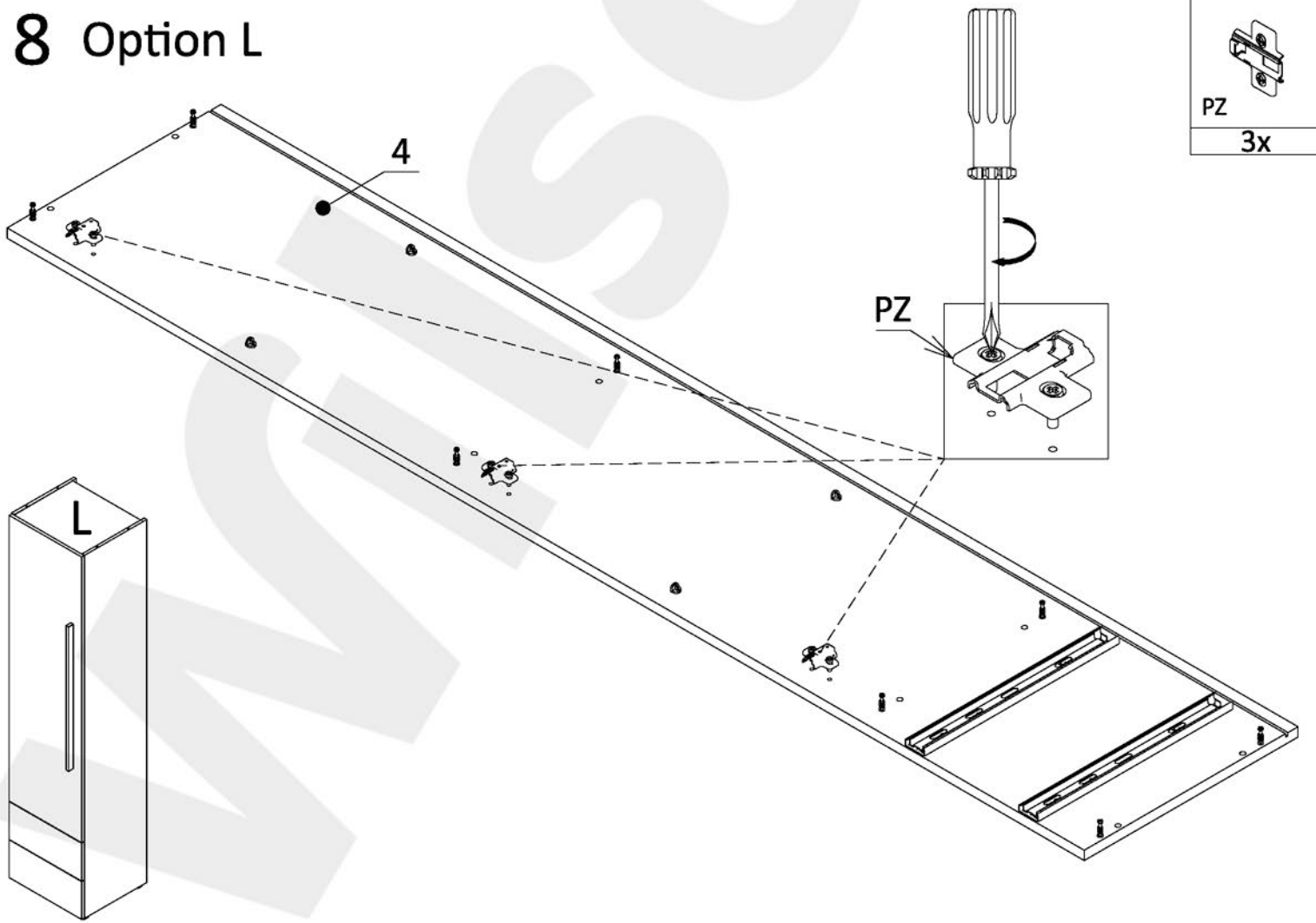
6



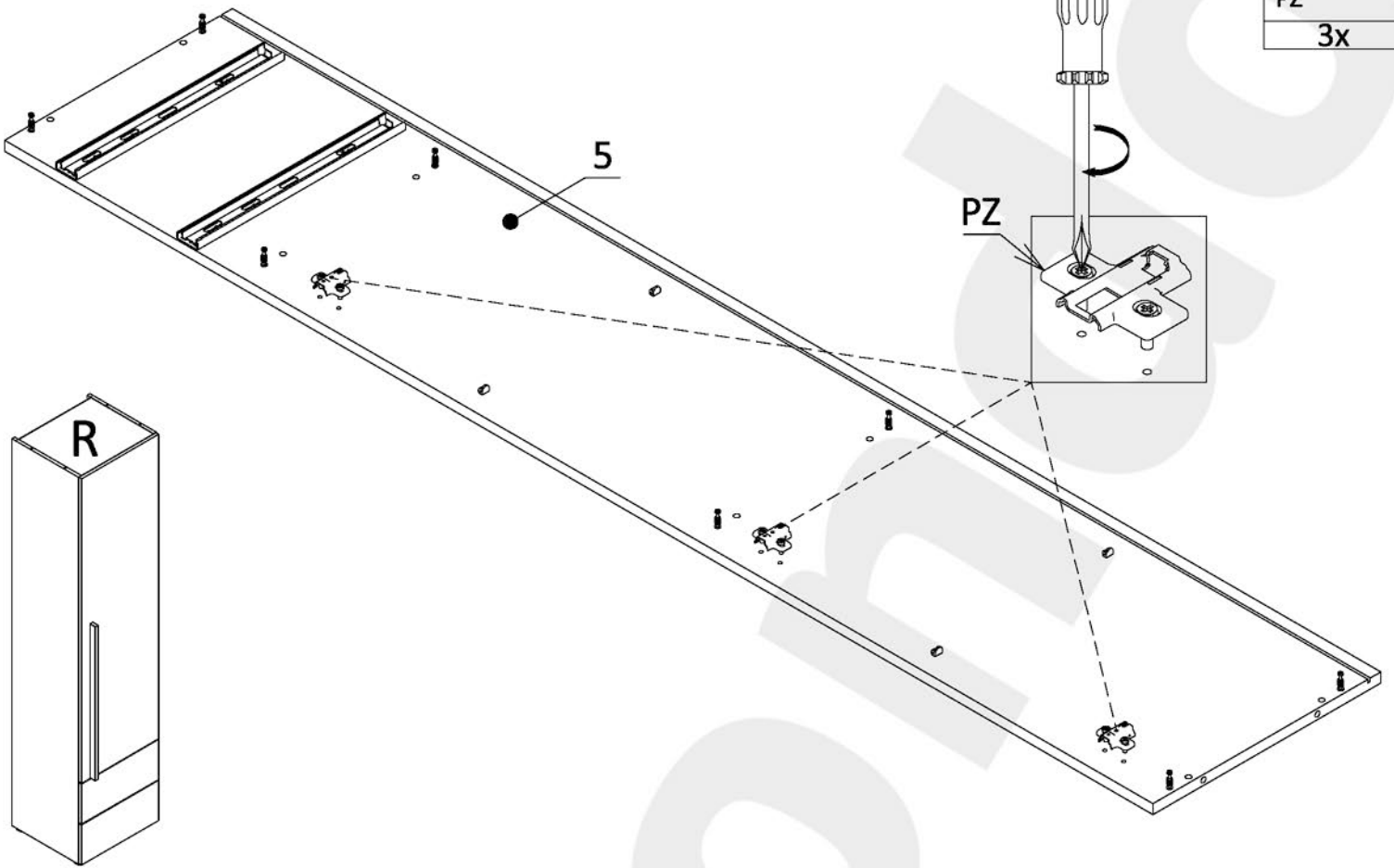
7



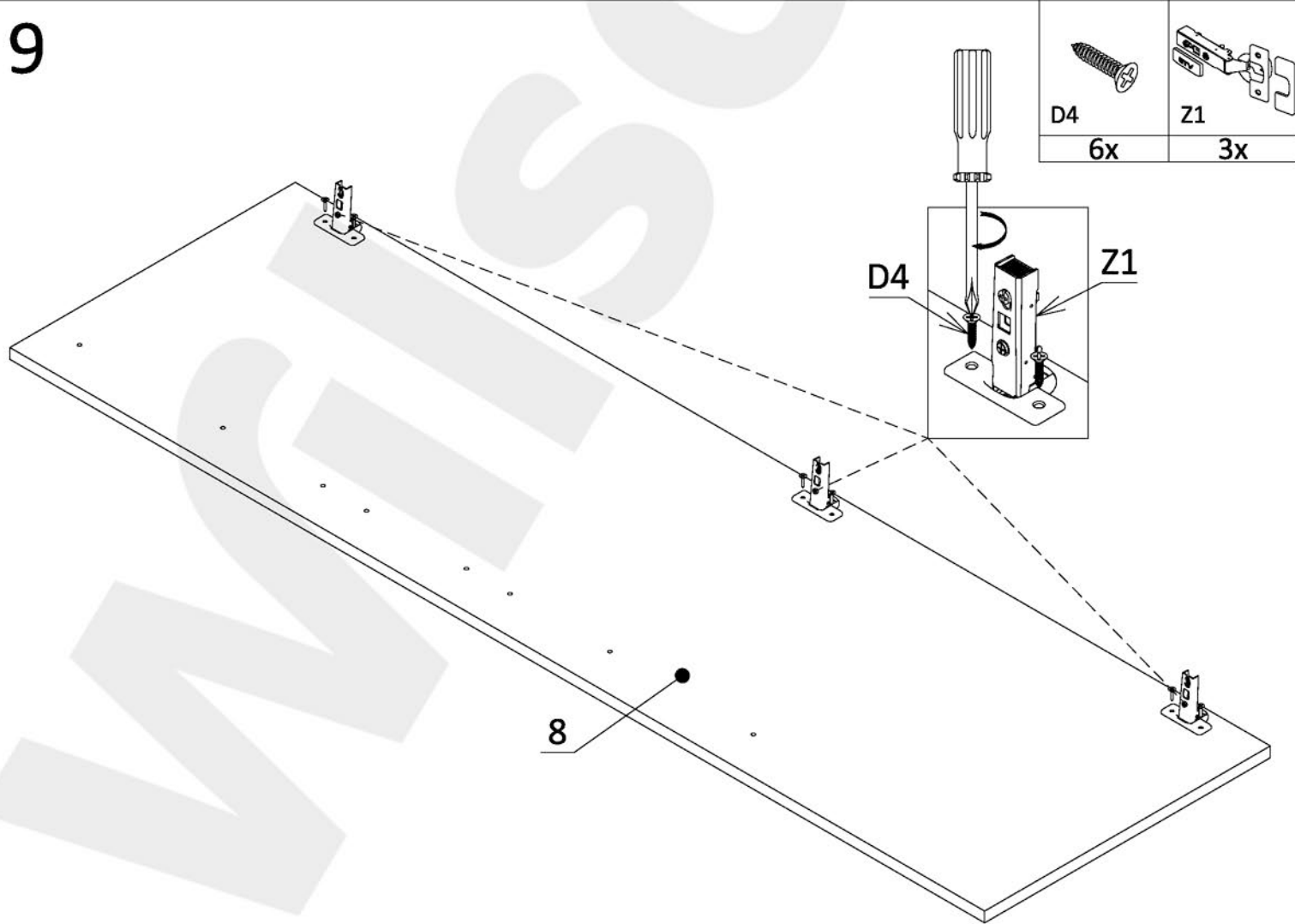
8 Option L



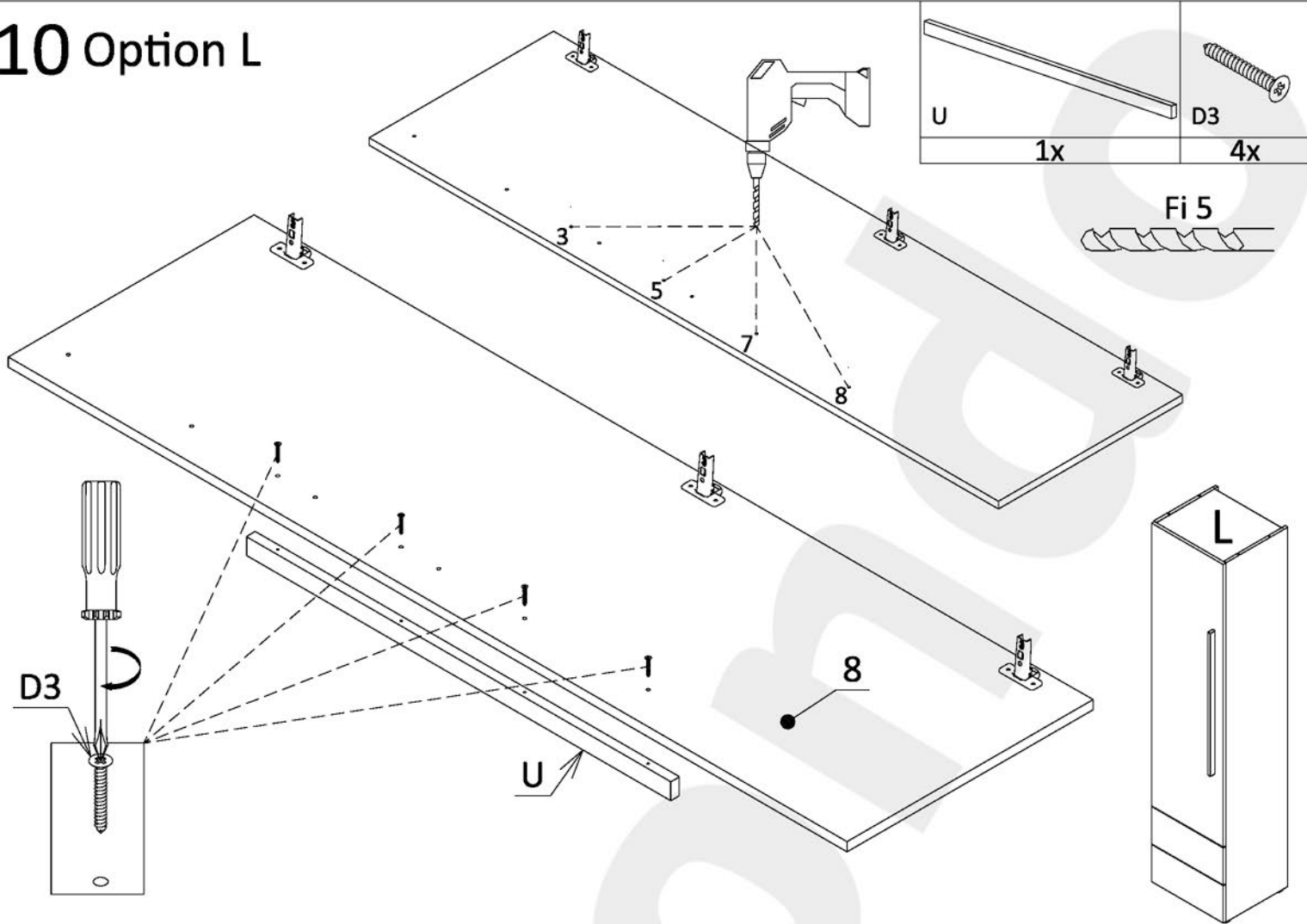
8 Option R



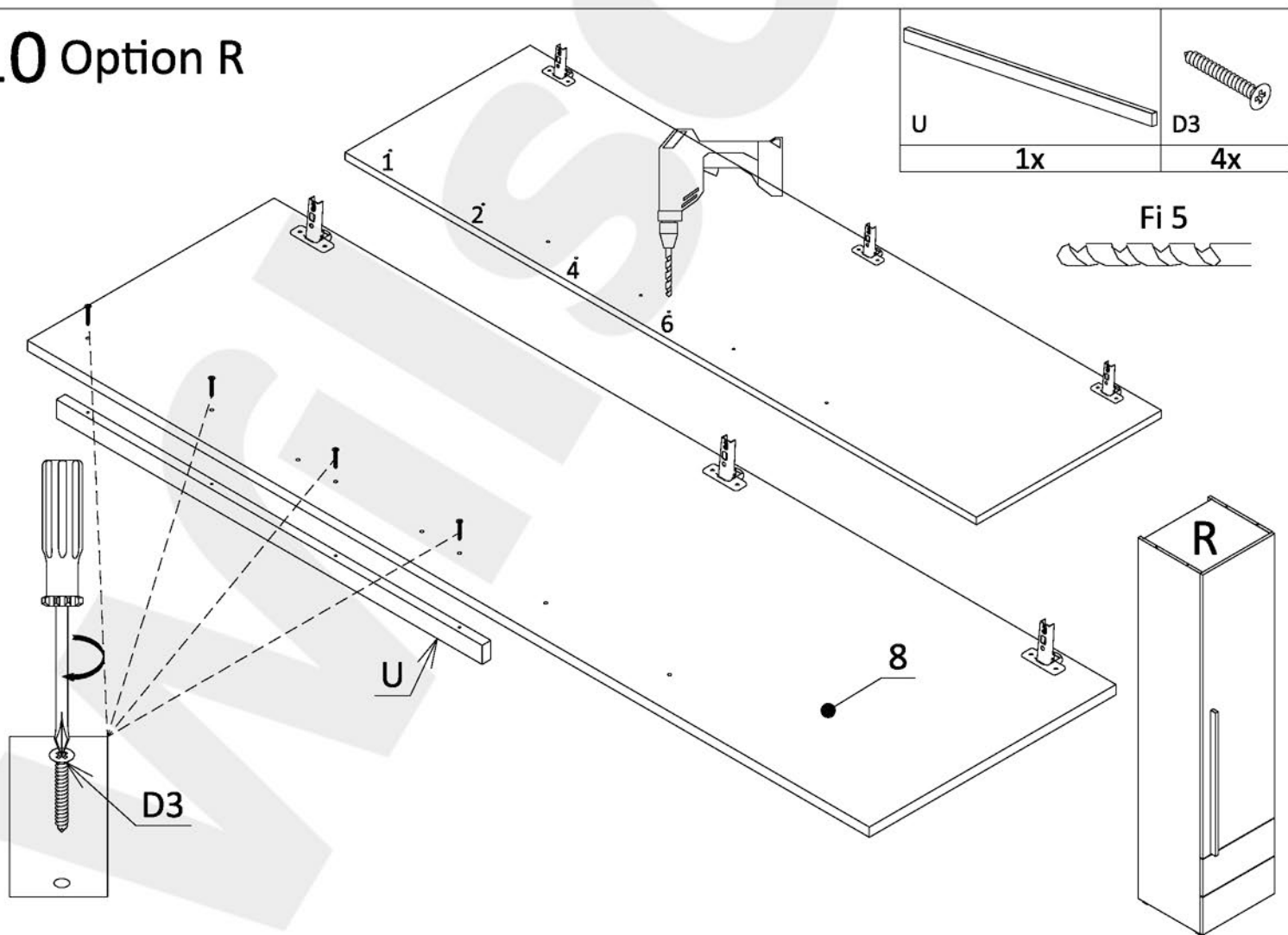
9



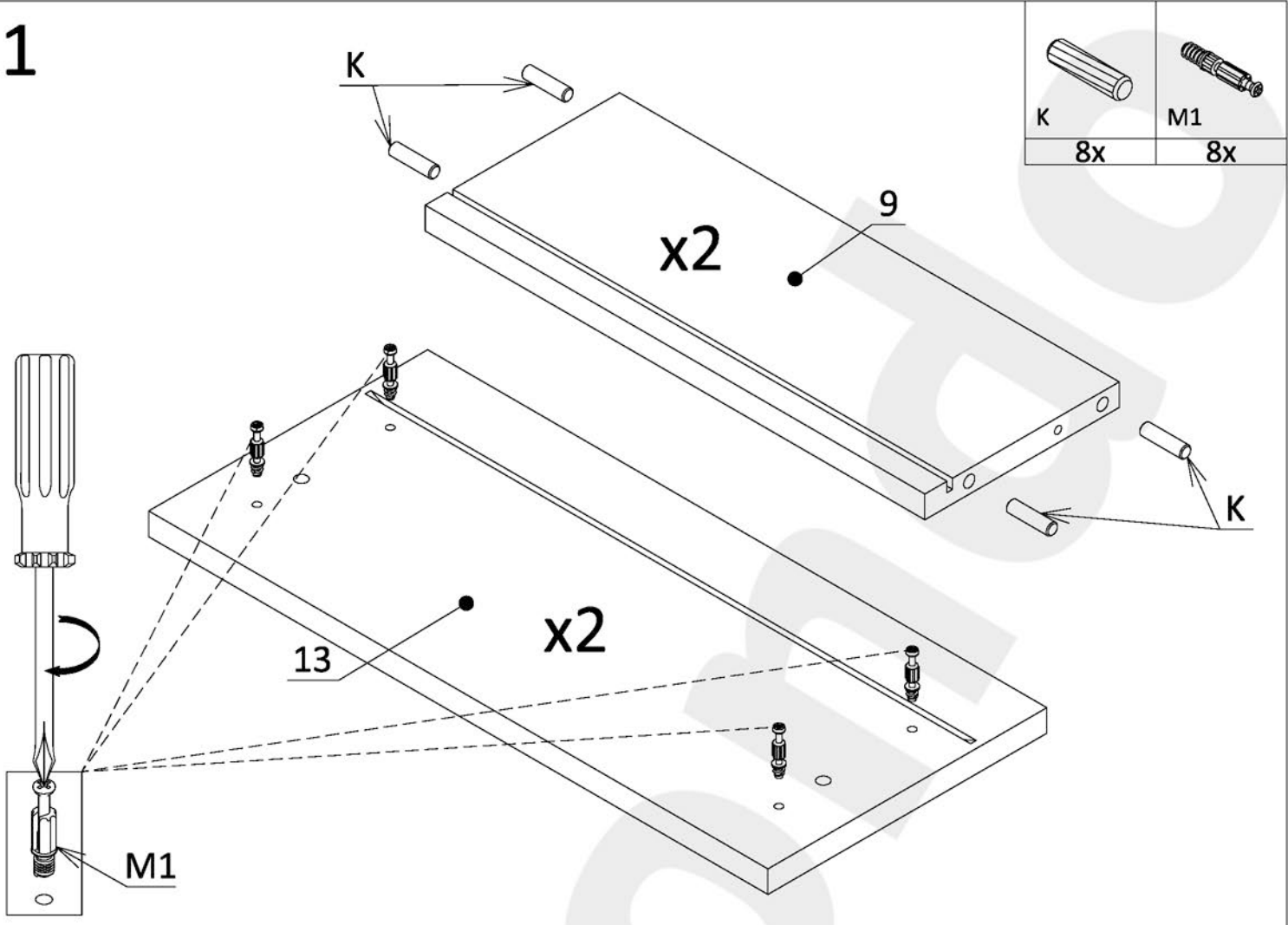
10 Option L



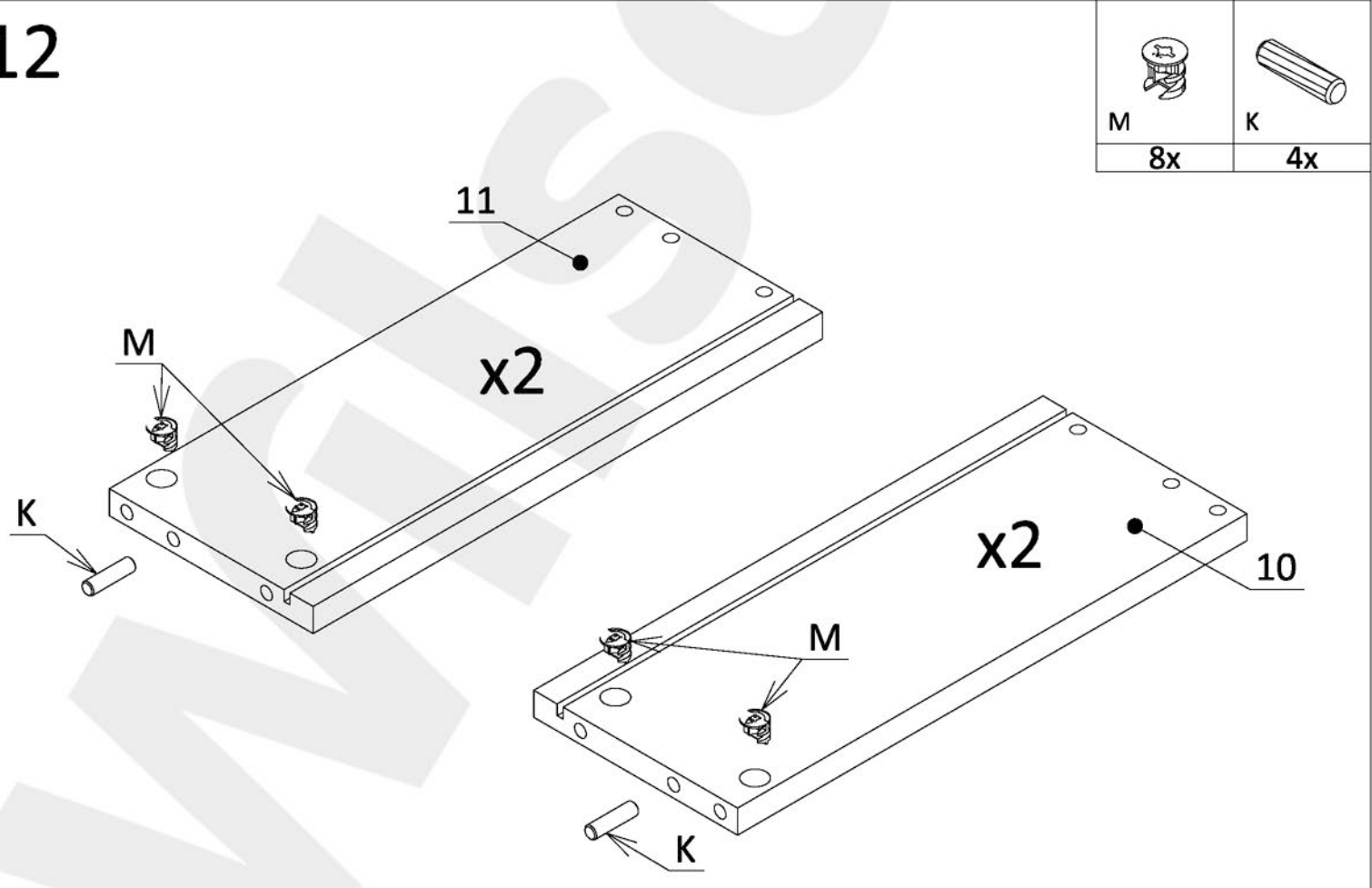
10 Option R



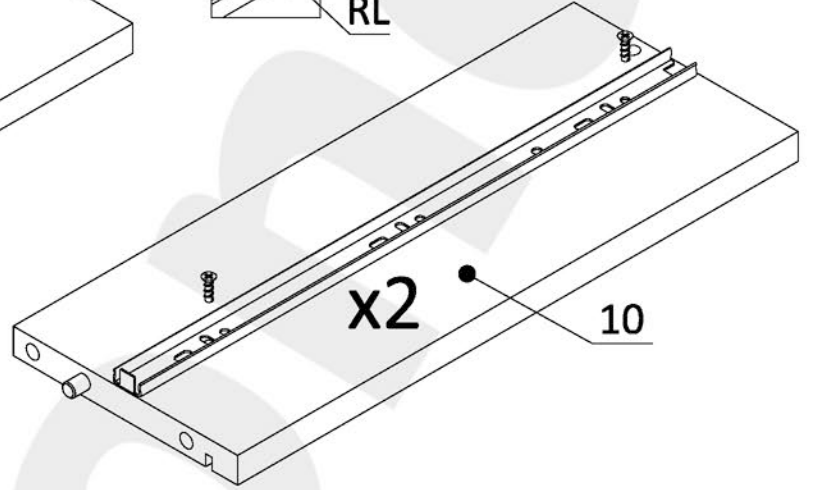
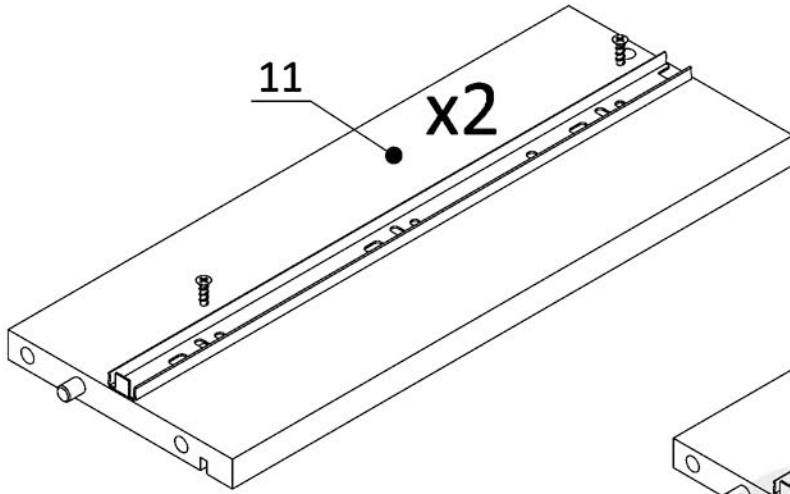
11



12

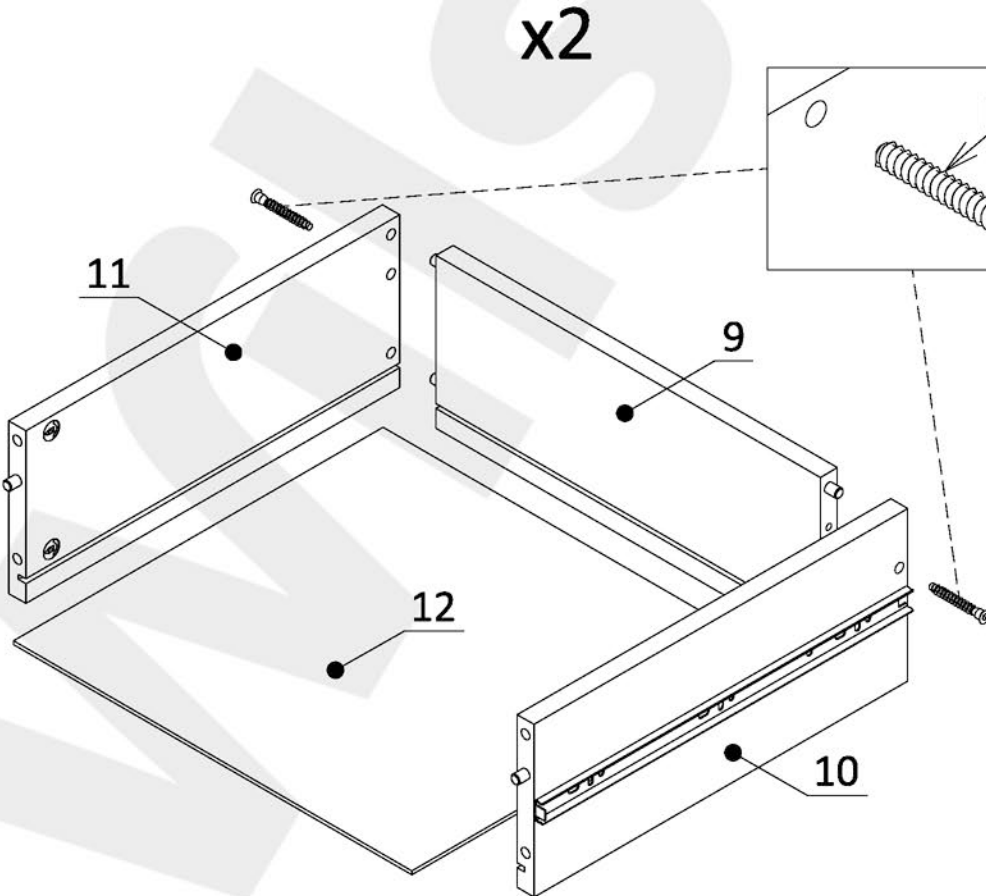


13



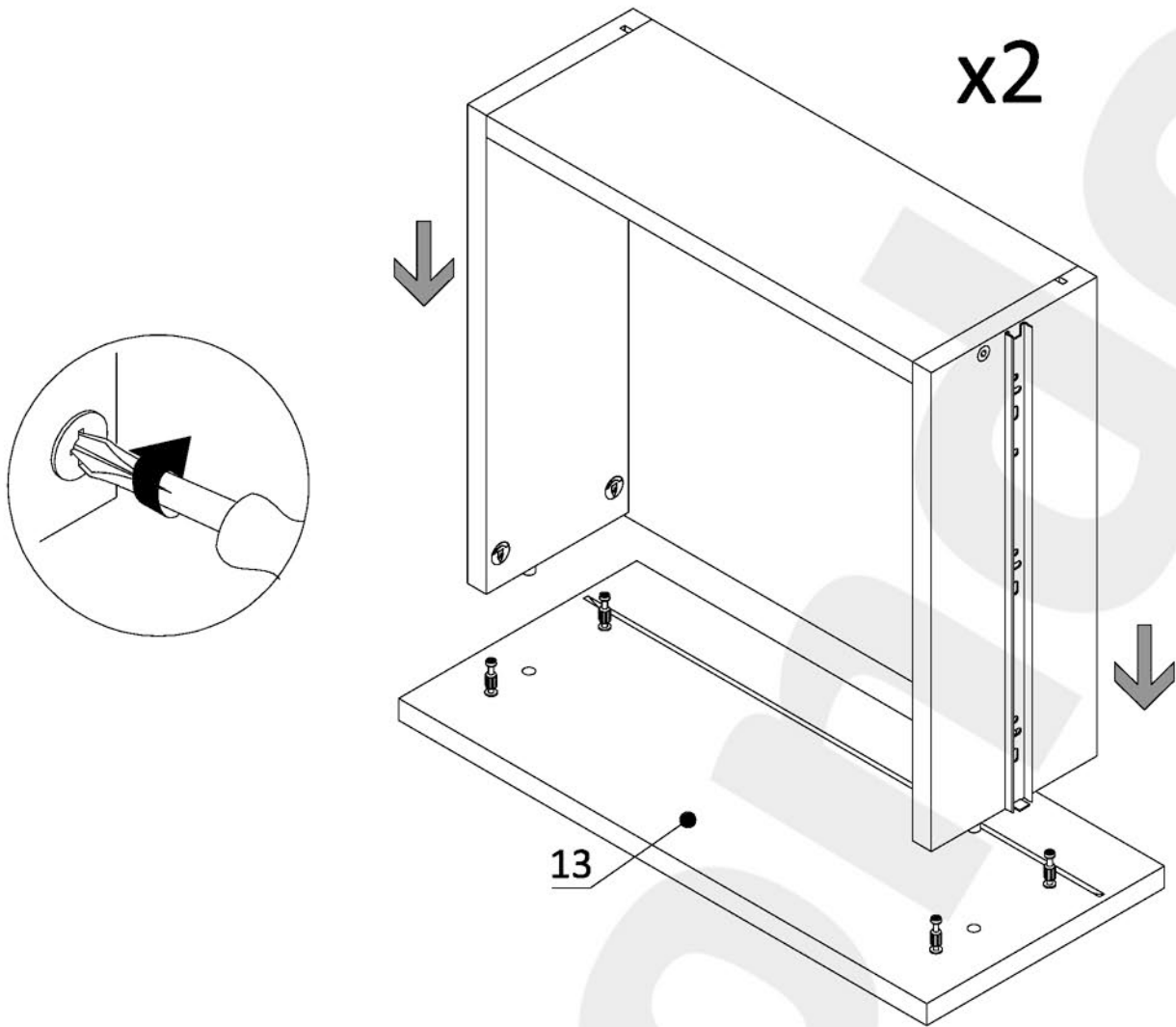
RL	E1
2x	8x

14

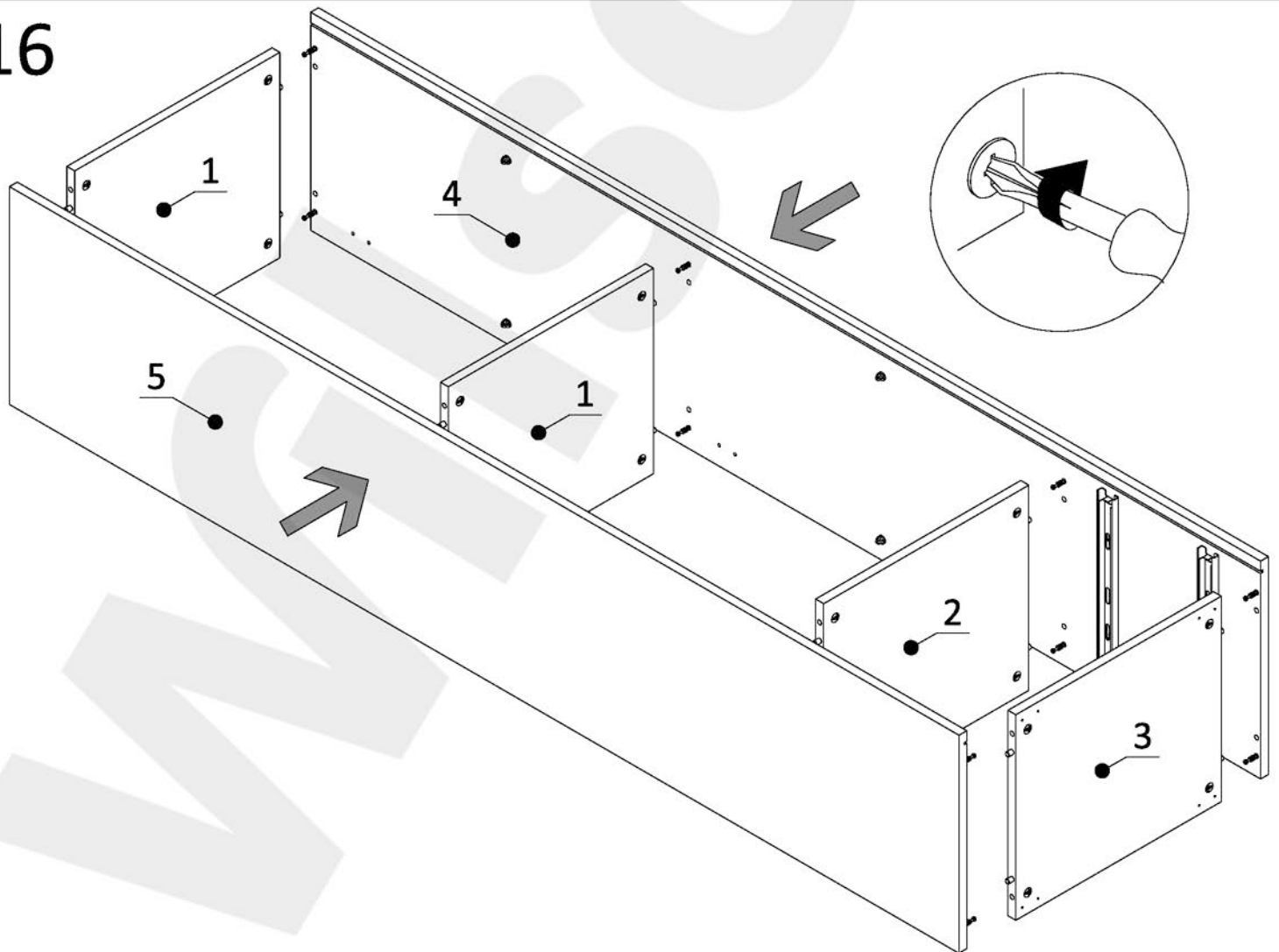


F	KL
4x	1x

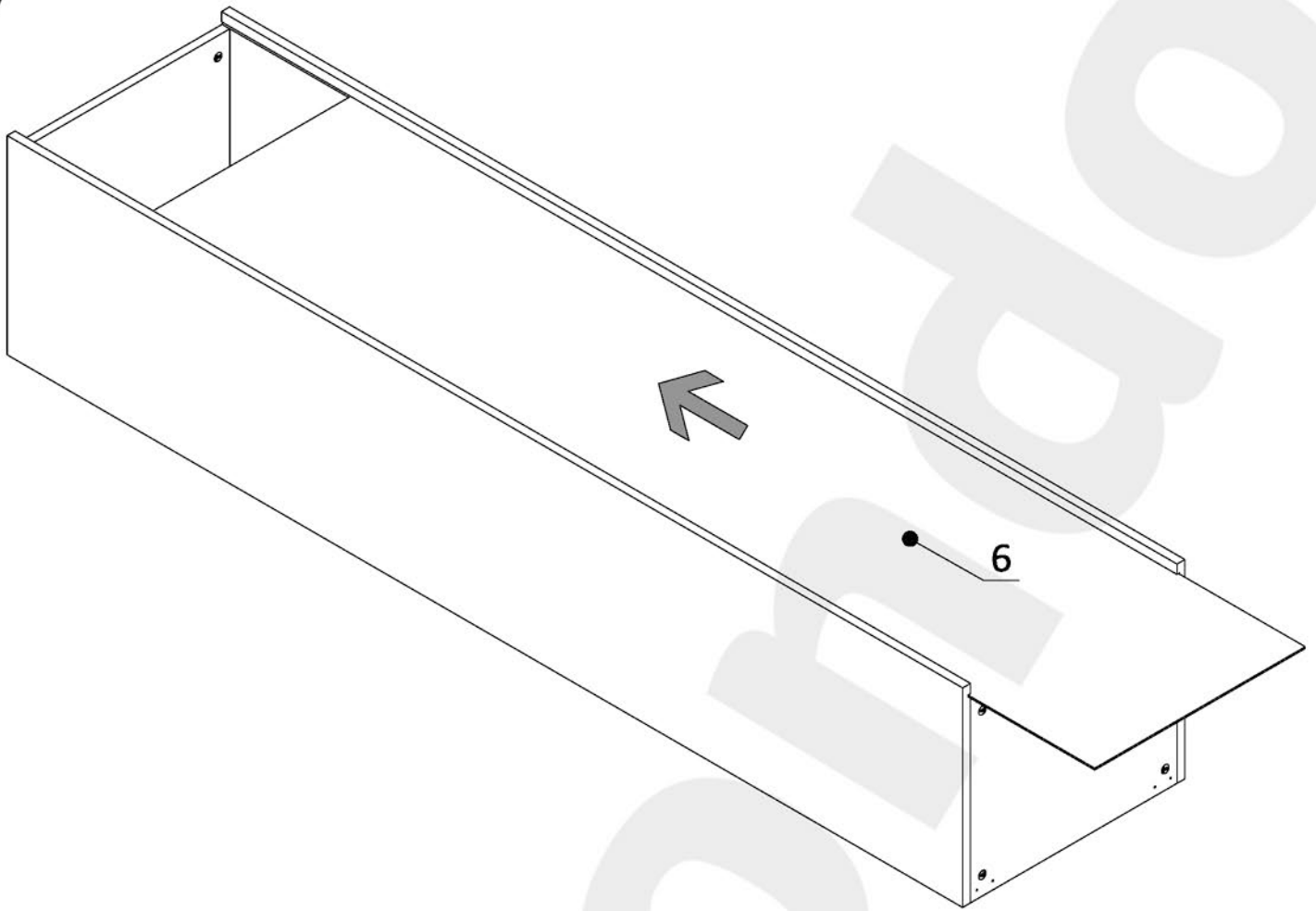
15



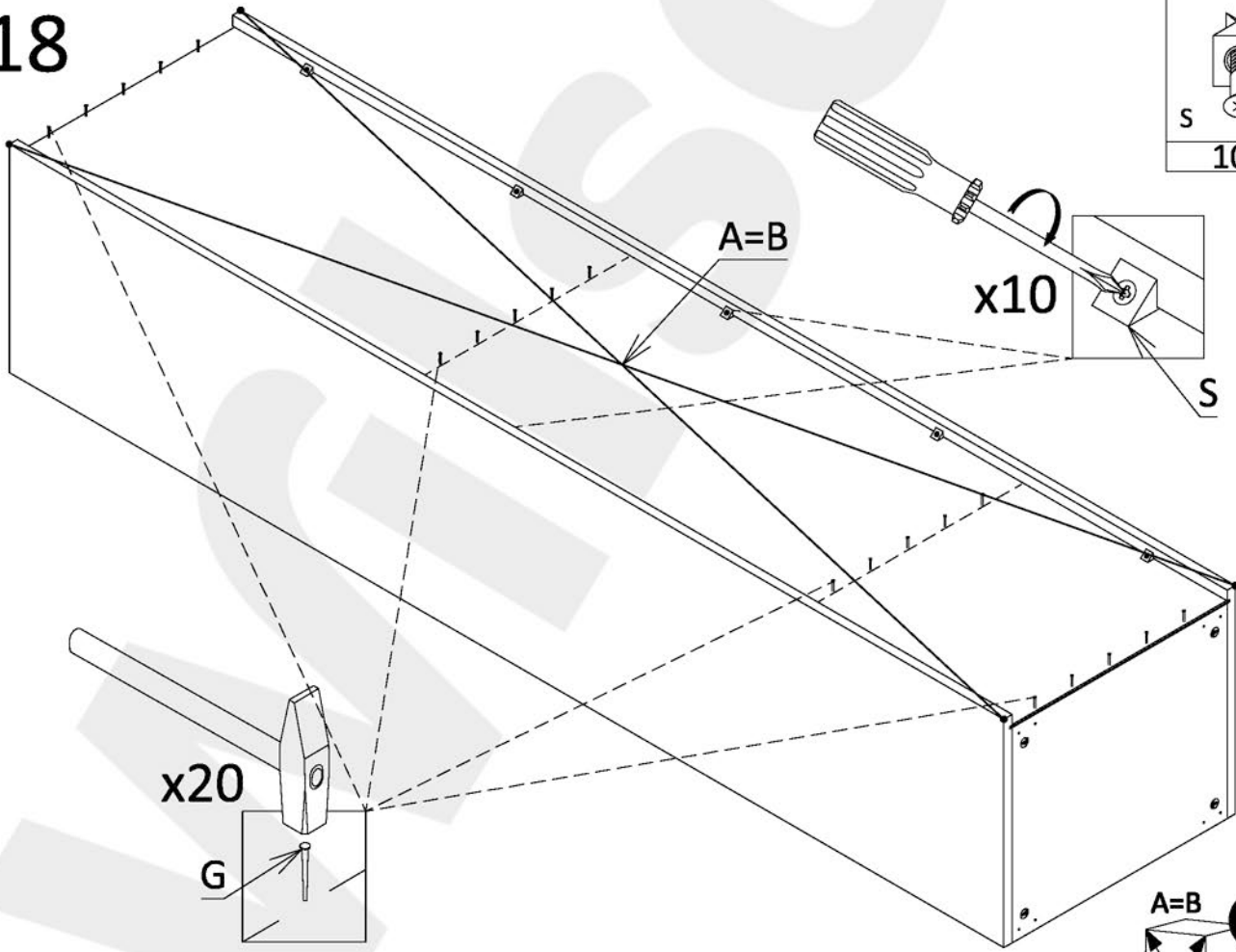
16

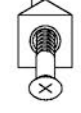



17



18

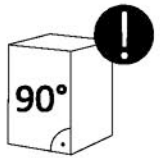
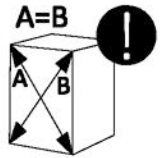


 S	 G
10x	20x

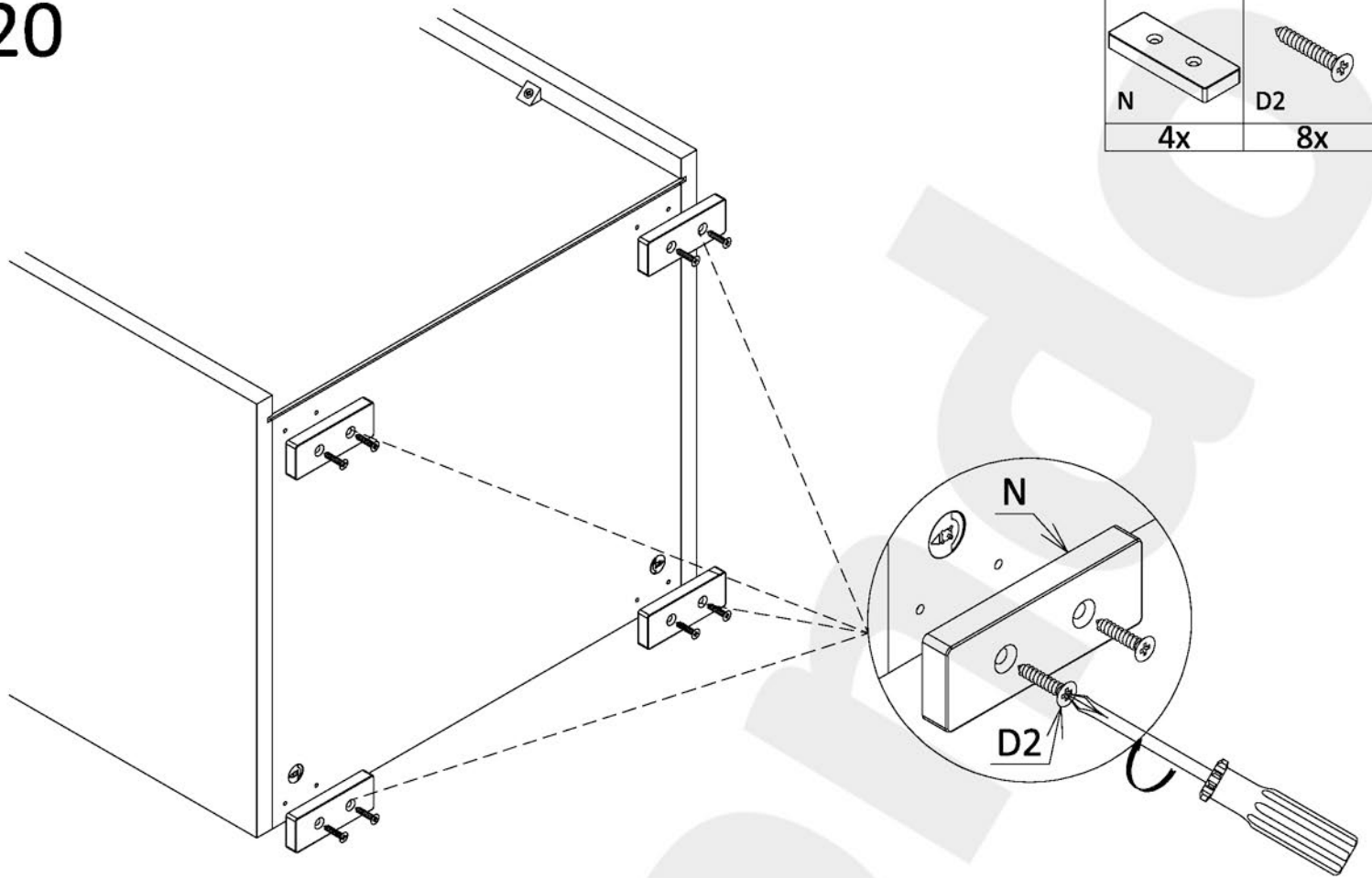
x20
G

x10

A=B

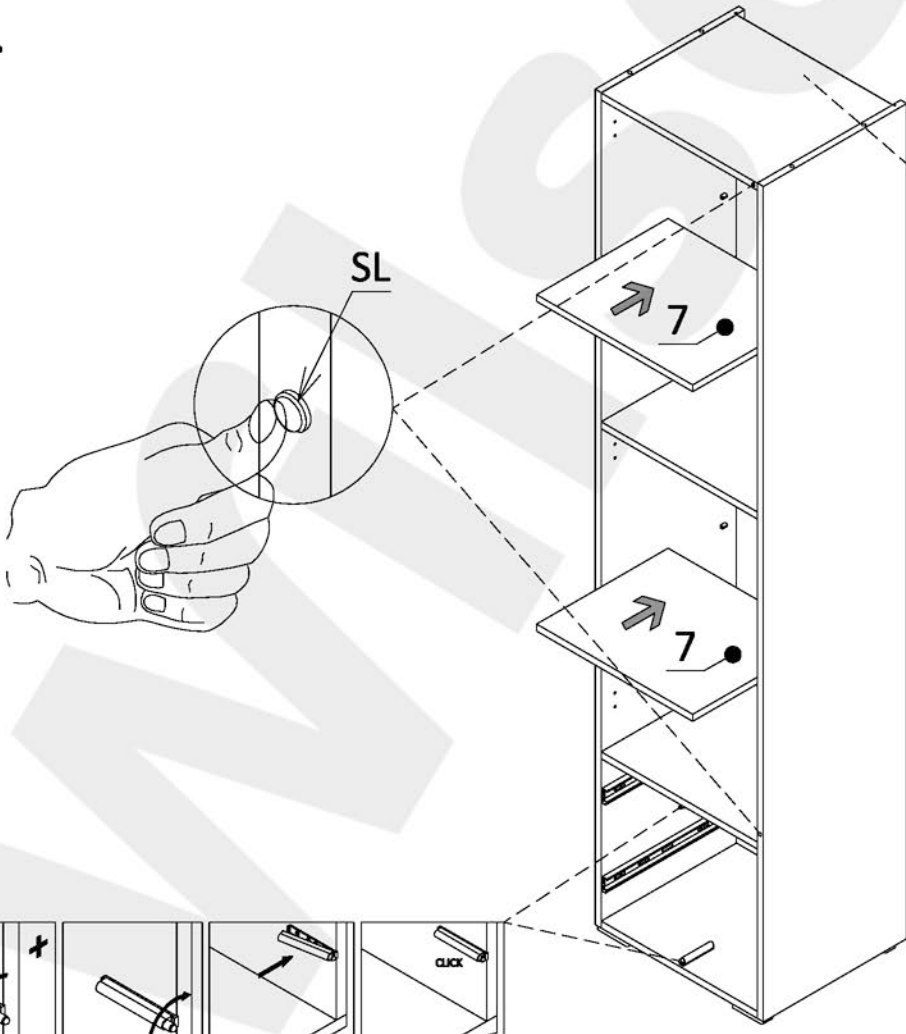


20

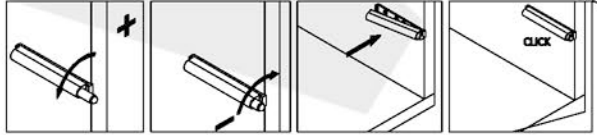


N	D2
4x	8x

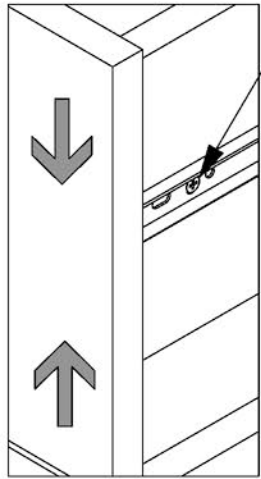
21



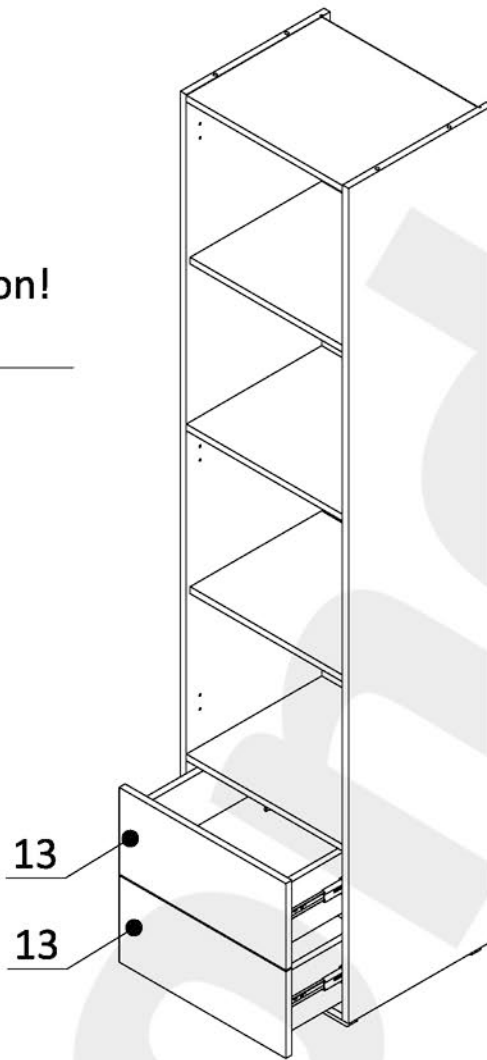
	SL	PS
	2x	1x
1		
2		
3		
4		PS



22

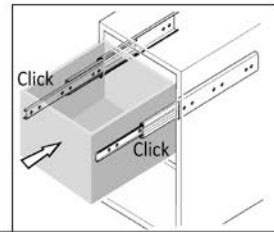


regulation!

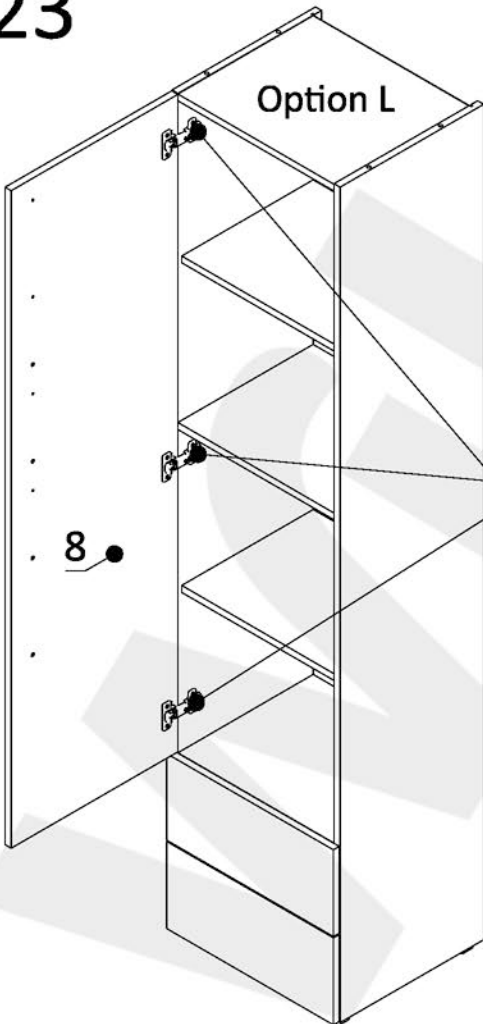


13

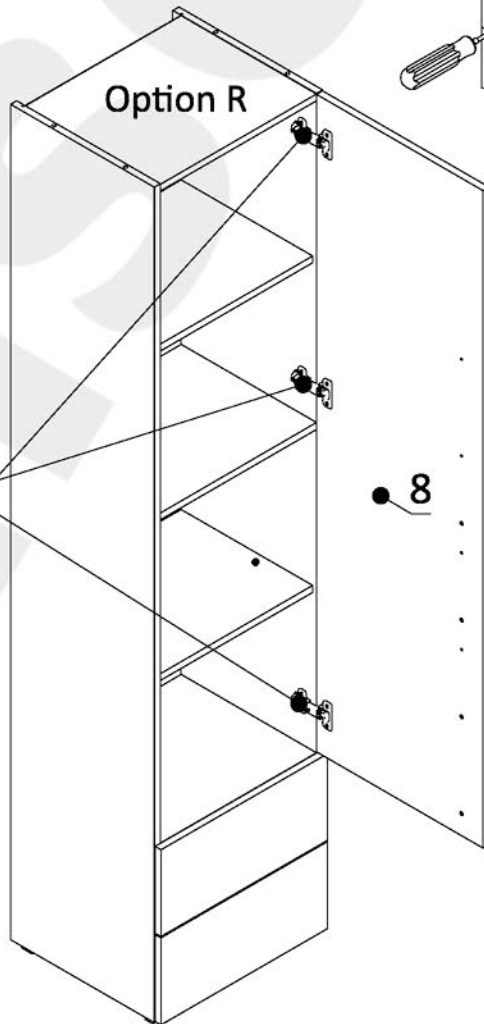
13



23

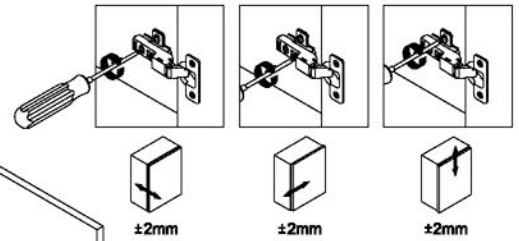


Option L



Option R

CLICK



±2mm

±2mm

±2mm

