


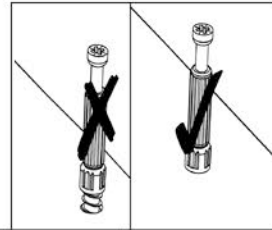
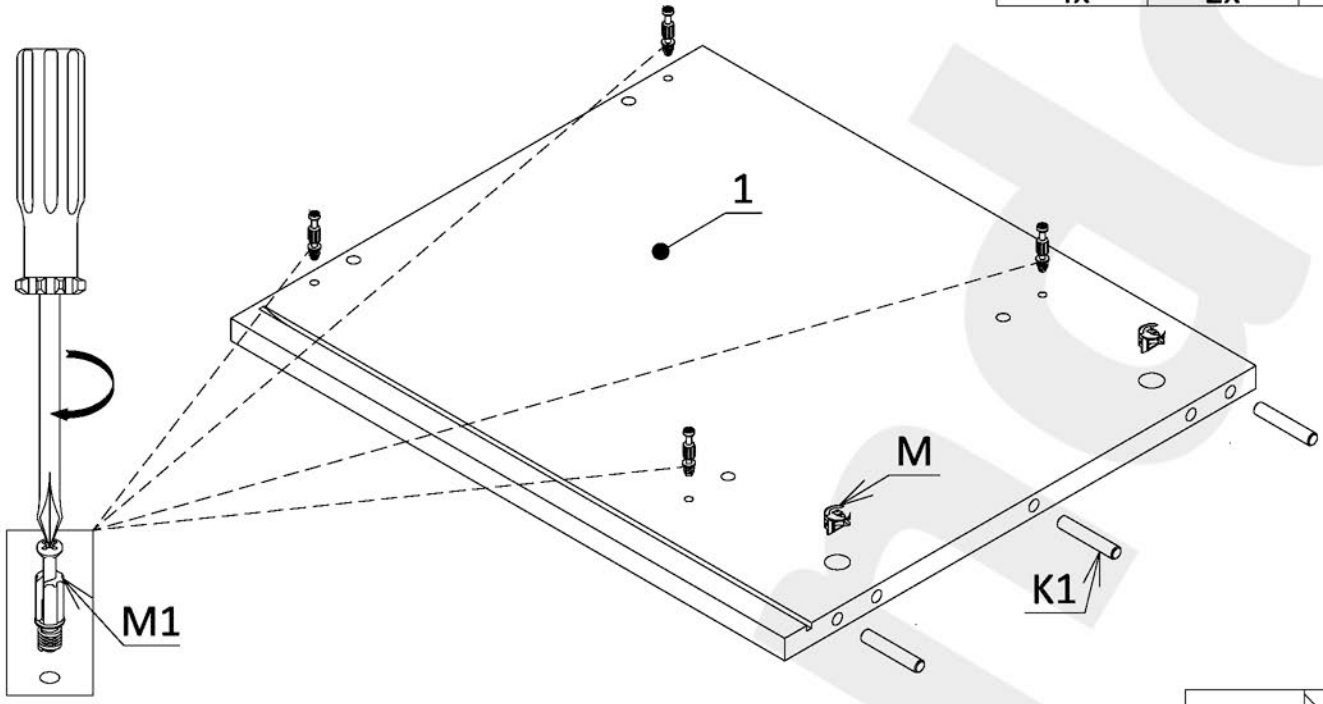


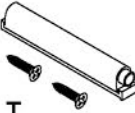


|            |            |            |            |             |                |           |            |            |            |  |
|------------|------------|------------|------------|-------------|----------------|-----------|------------|------------|------------|--|
| 4x16<br>D4 | 3x16<br>D3 | Z1         | PZ         | L386<br>U   | 2x PK-OH35-350 |           |            |            |            |  |
| 8x         | 8x         | 4x         | 4x         | 1x          | 2x PK-OH35-350 |           |            |            |            |  |
| 80x30<br>N | 8x30<br>K  | 8x45<br>K1 | 15/12<br>M | L20,3<br>M1 | L56<br>M2      | 7x50<br>F | 5x13<br>E1 | 4x20<br>D2 | 4x30<br>D3 |  |
| 5x         | 32x        | 3x         | 32x        | 28x         | 2x             | 4x        | 16x        | 10x        | 3x         |  |
| T          | SW4<br>KL  | P          | SL         | ZM          | H              | 2x20<br>G | BL         | S          | PS         |  |
| 3x         | 1x         | 12x        | 2x         | 32x         | 1x             | 15x       | 8x         | 7x         | 1x         |  |

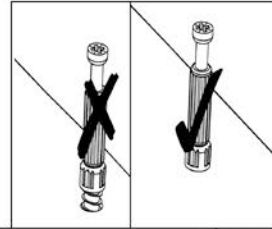
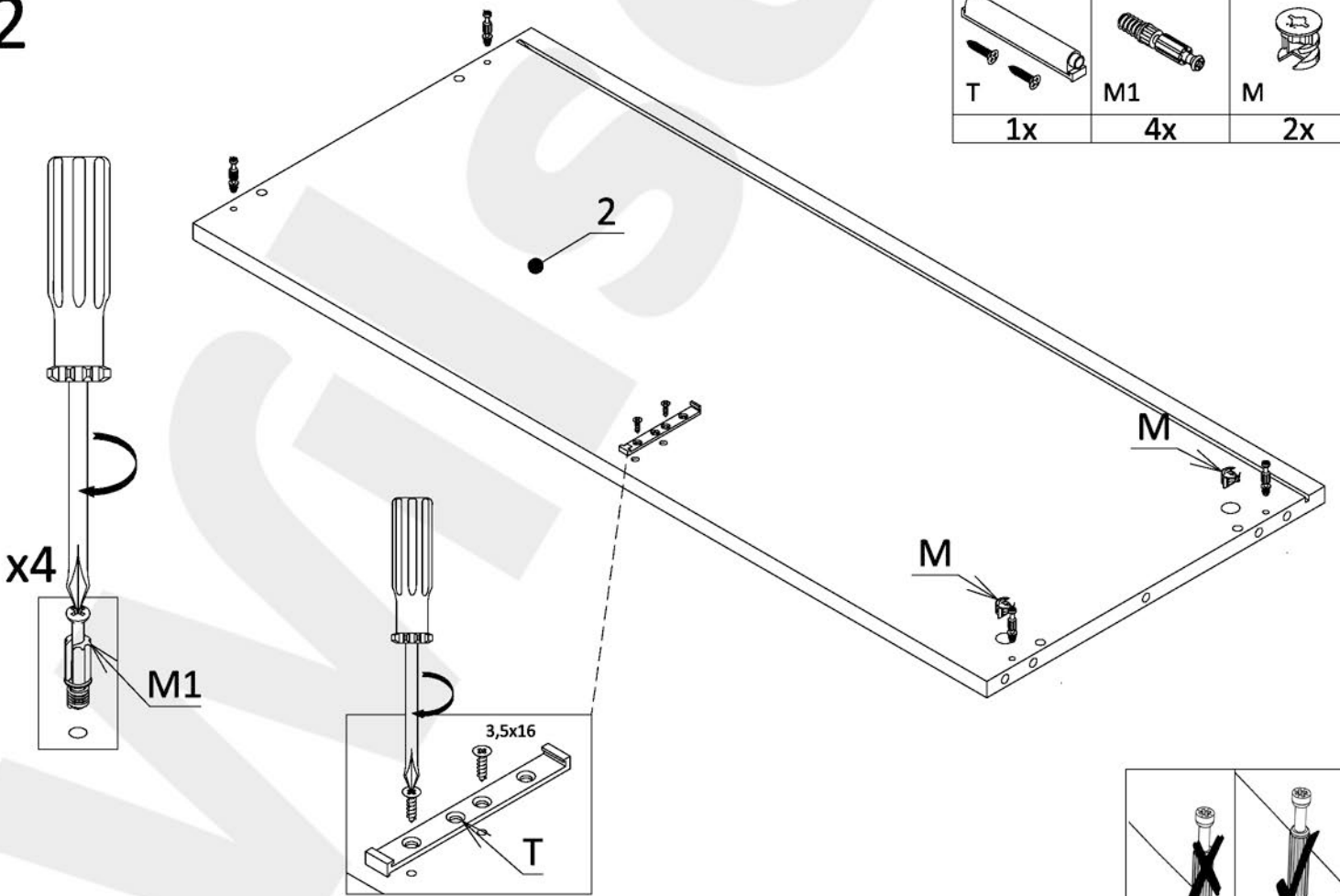
# 1

|  |  |  |
|--|--|--|
|  |  |  |
| M1   | M  | K1   |
| 4x   | 2x   | 3x   |

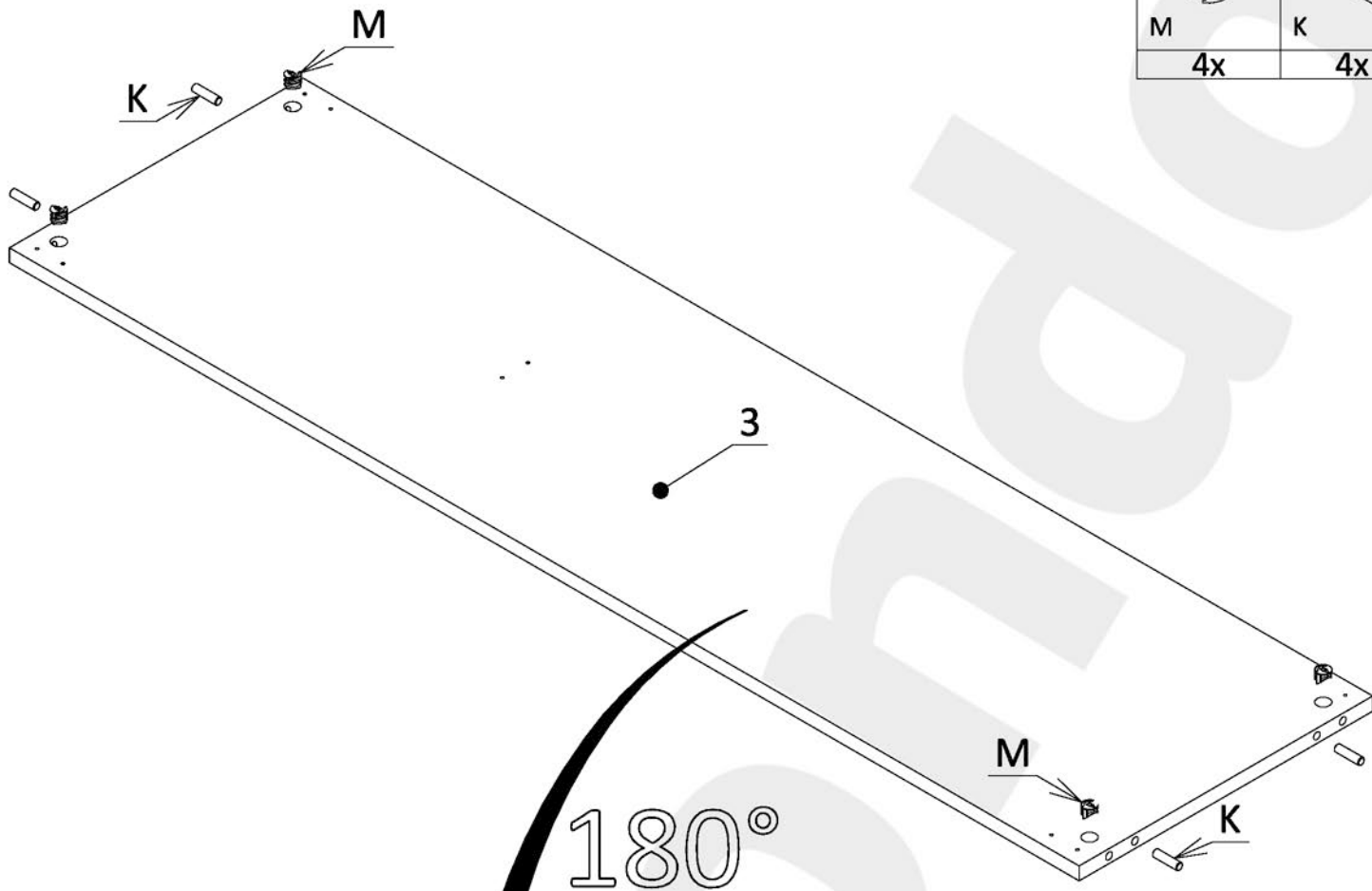




# 2

|   |   |   |
|---|---|---|
|  |  |  |
| T   | M1  | M   |
| 1x  | 4x  | 2x  |

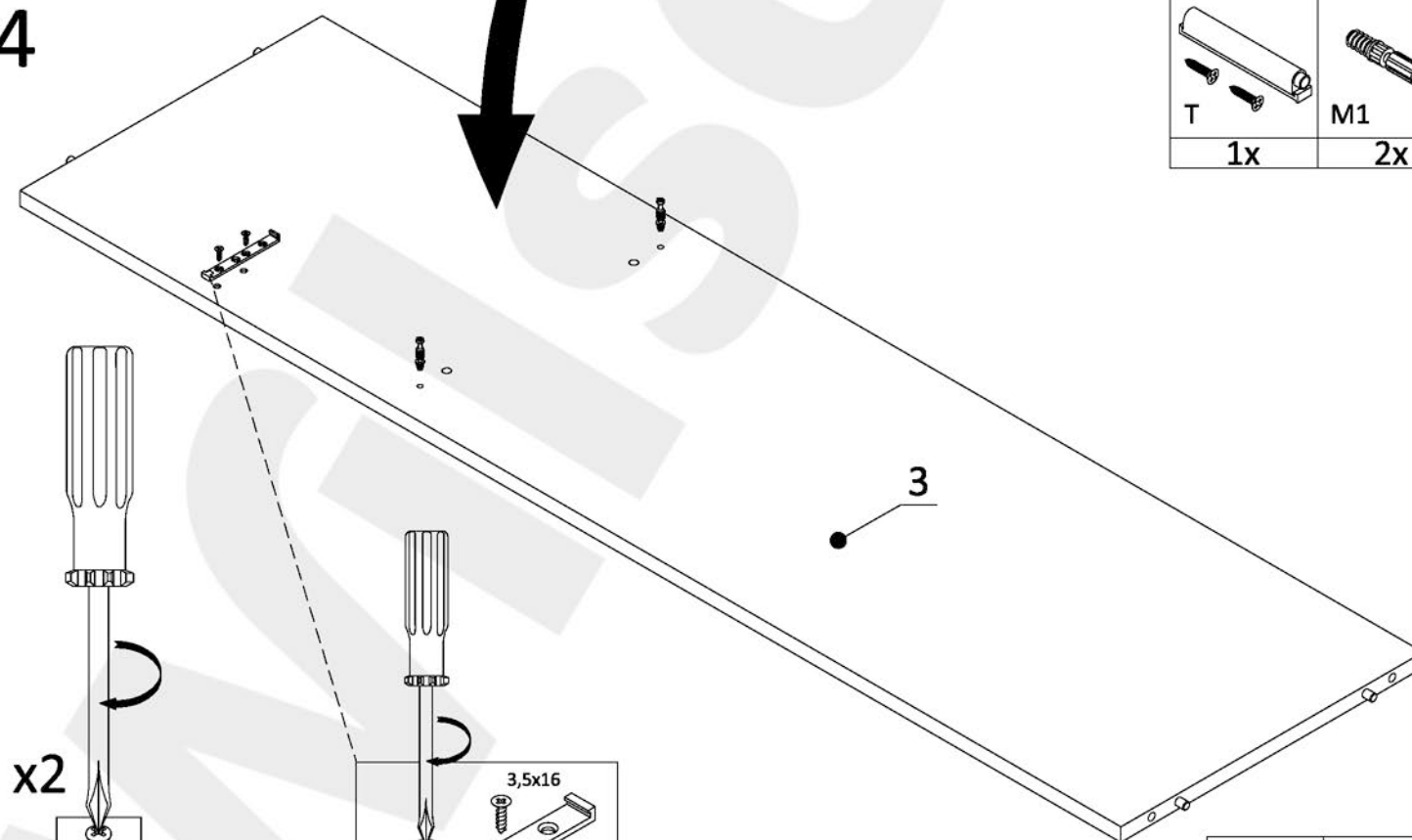




3

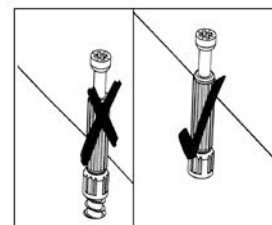
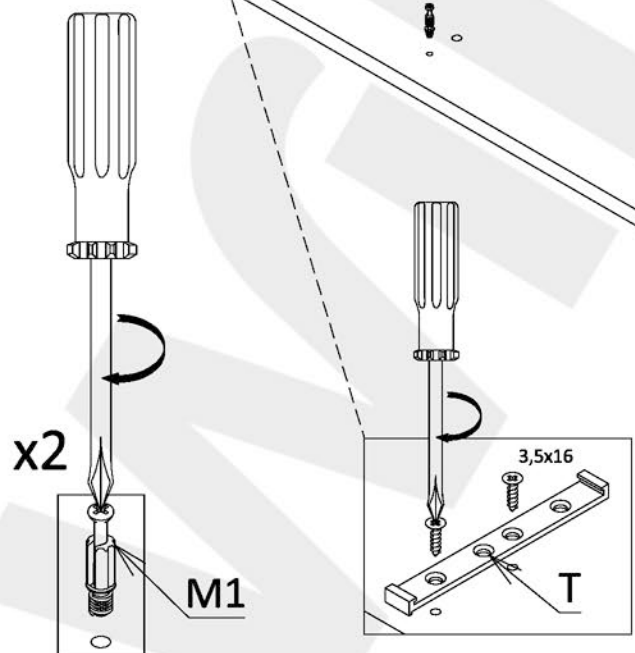


|  |  |
|--|--|
|  |  |
| M  | K  |
| 4x   | 4x   |





4

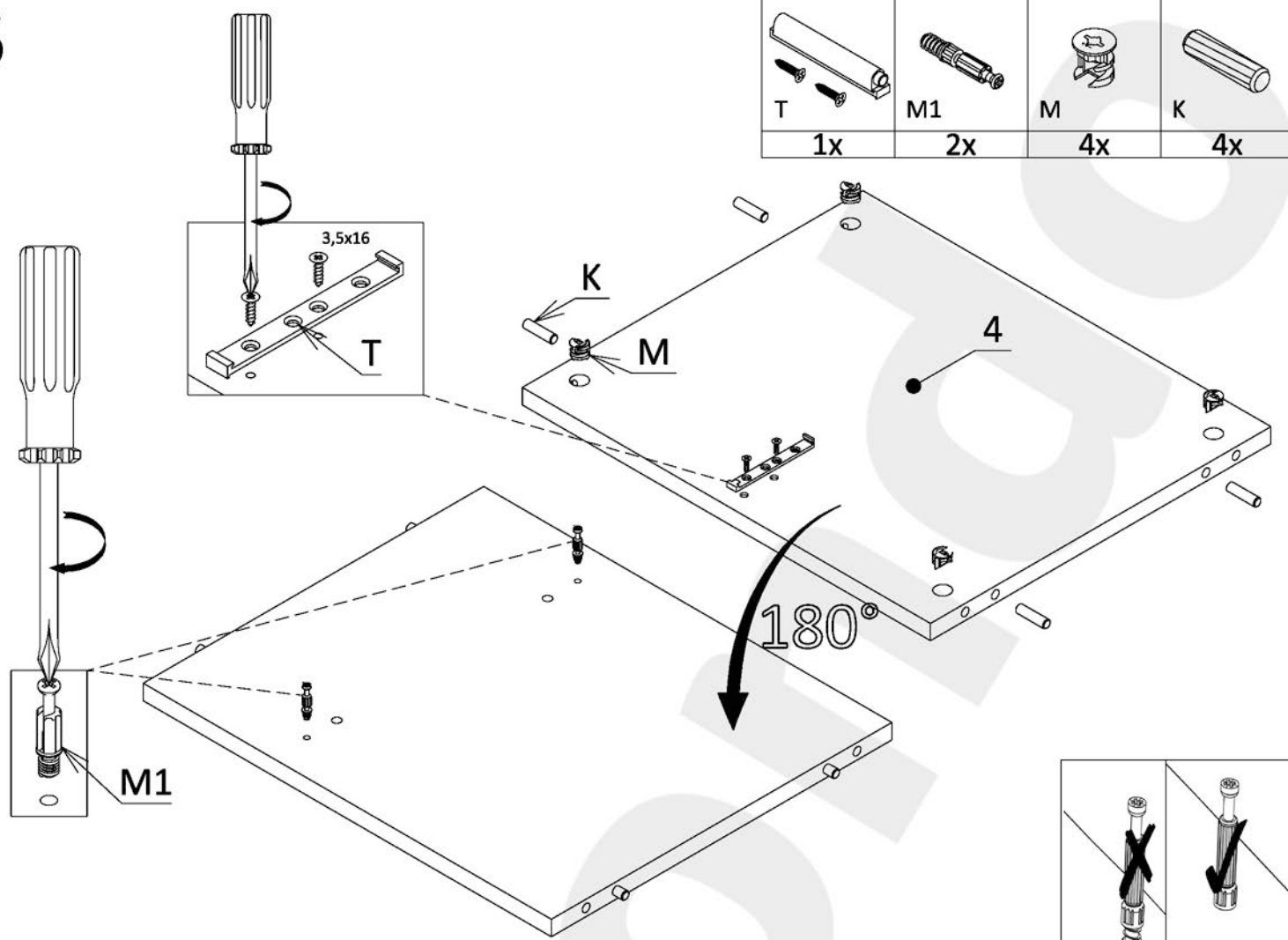


|   |   |
|---|---|
|  |  |
| T   | M1  |
| 1x  | 2x  |



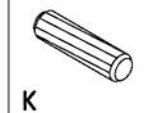



5

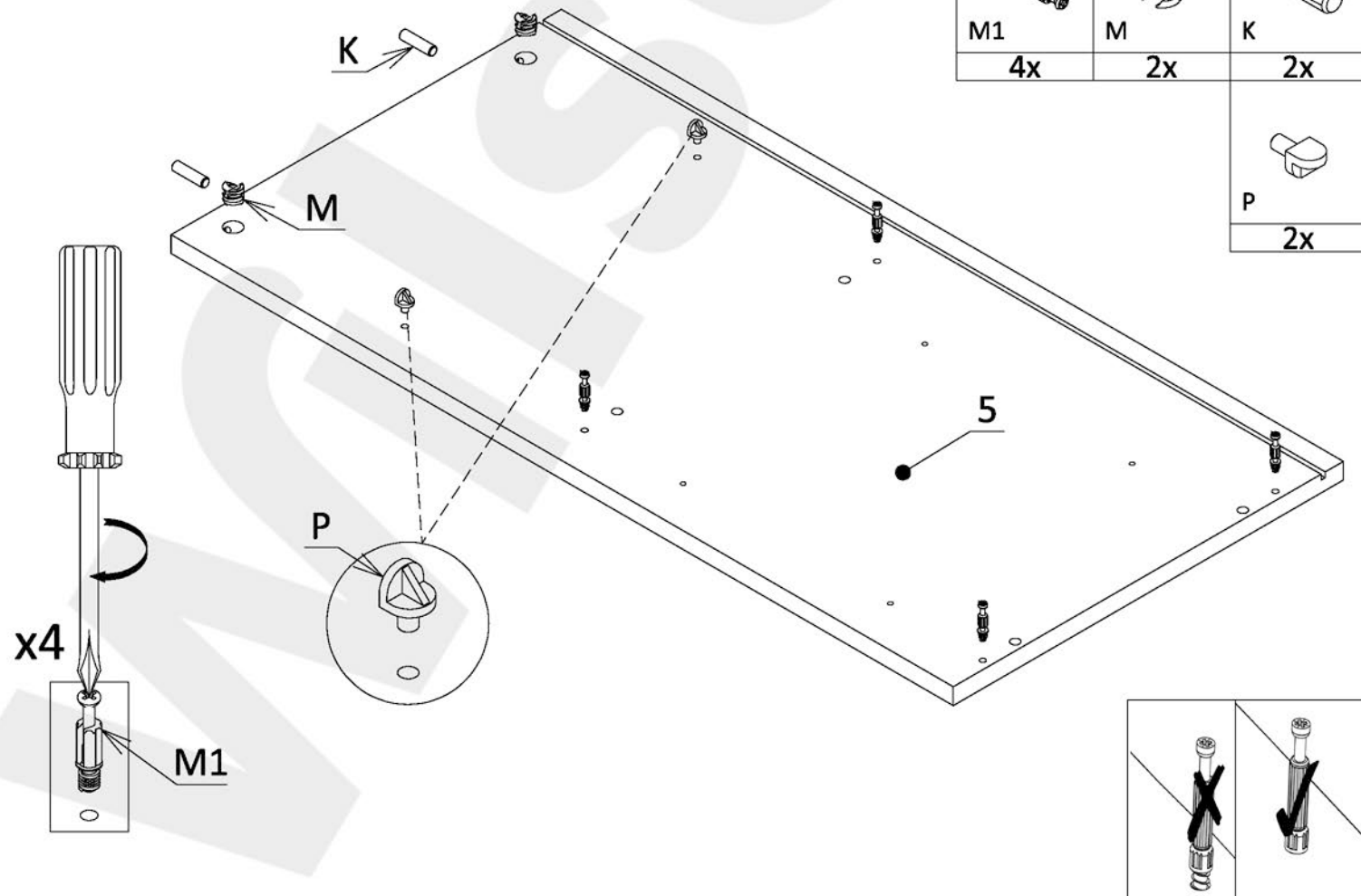
|   |  |  |  |
|---|--|--|--|
|  |  |  |  |
| T   | M1   | M  | K  |
| 1x  | 2x   | 4x   | 4x   |



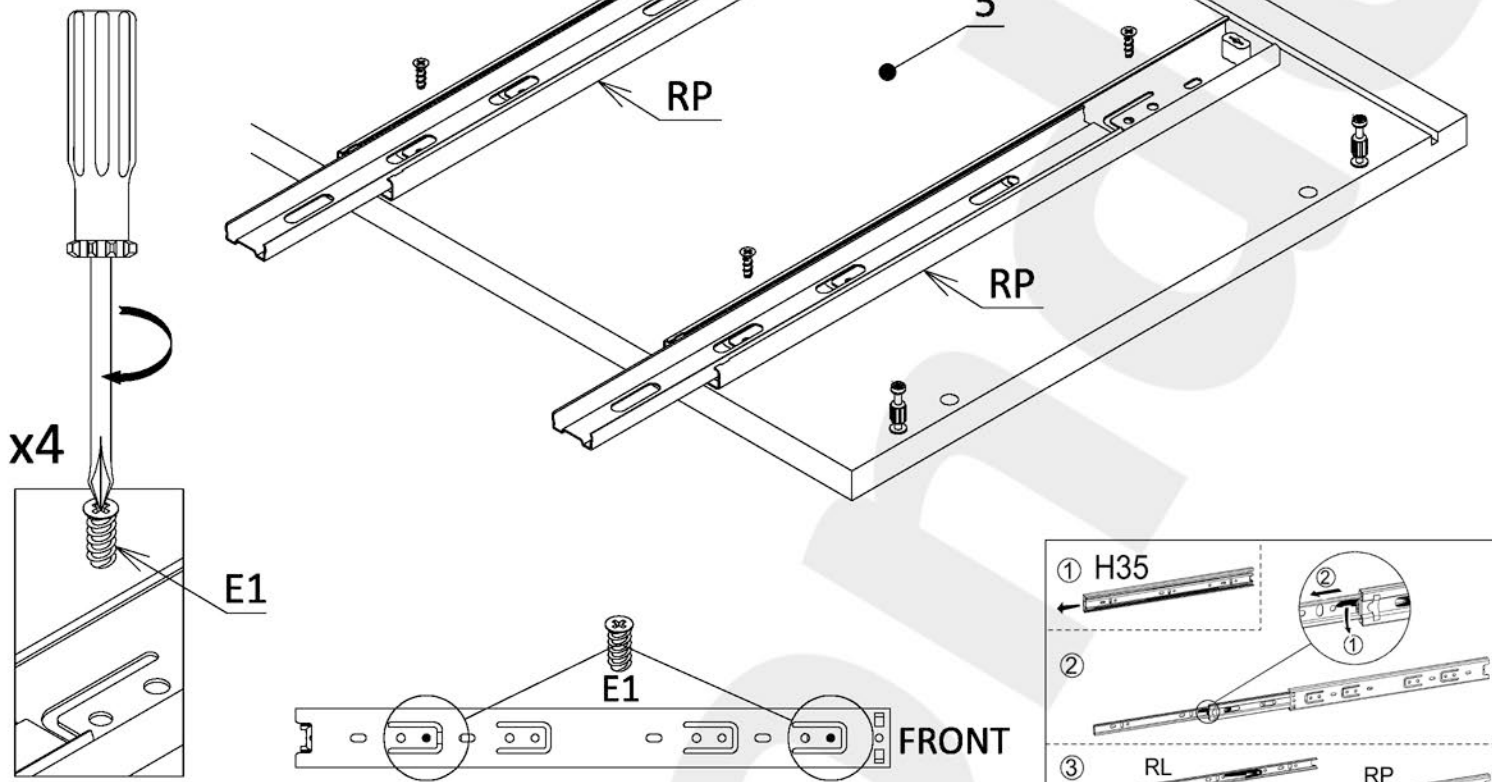
6

|   |   |   |
|---|---|---|
|  |  |  |
| M1  | M   | K   |
| 4x  | 2x  | 2x  |

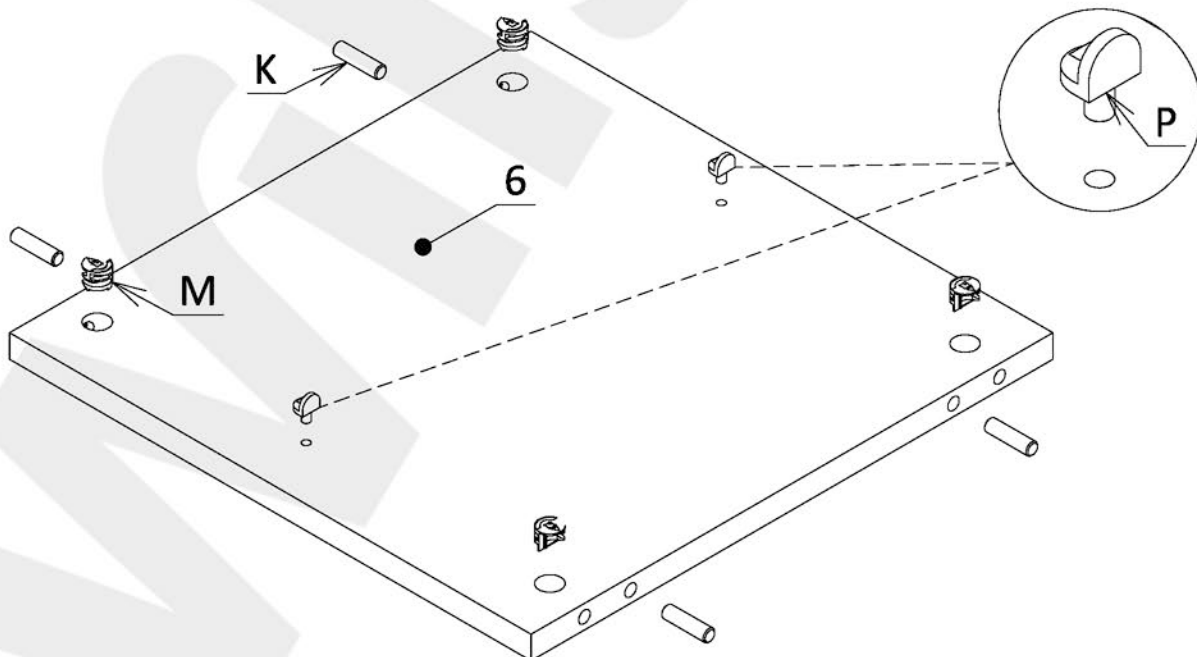
|   |
|---|
|  |
| P   |
| 2x  |



# 7







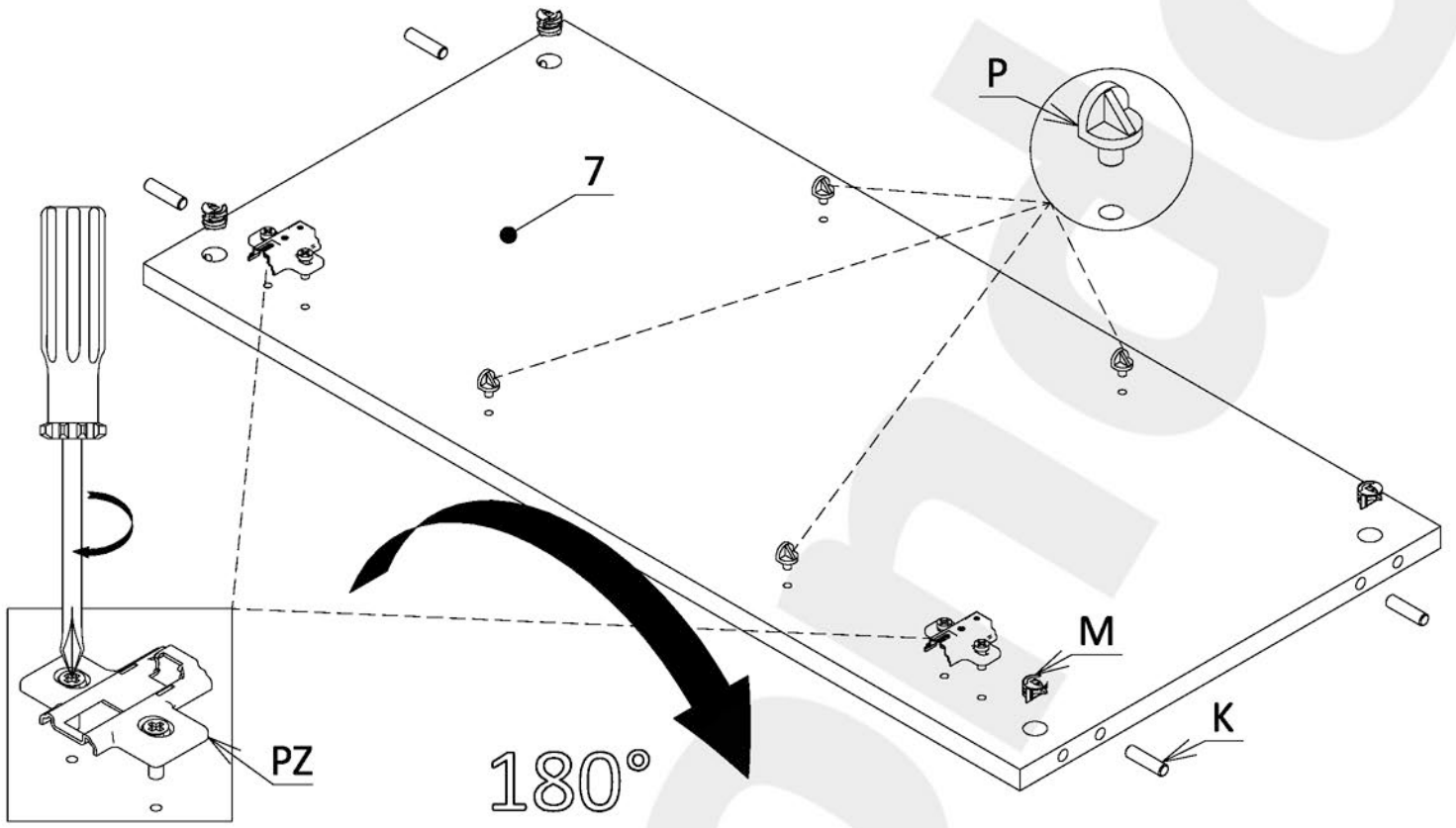
# 8





|           |           |           |
|-----------|-----------|-----------|
|           |           |           |
| <b>P</b>  | <b>M</b>  | <b>K</b>  |
| <b>2x</b> | <b>4x</b> | <b>4x</b> |

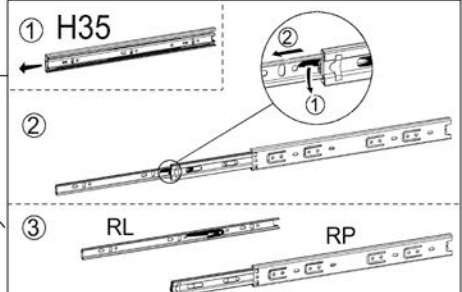
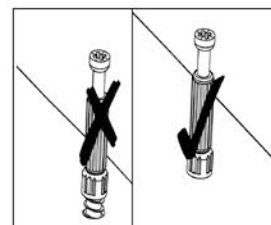
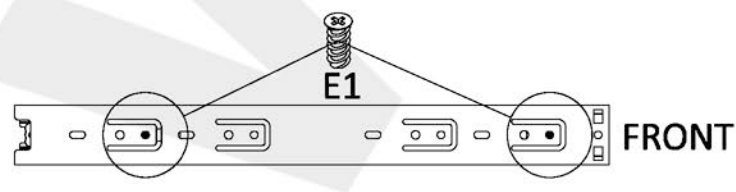
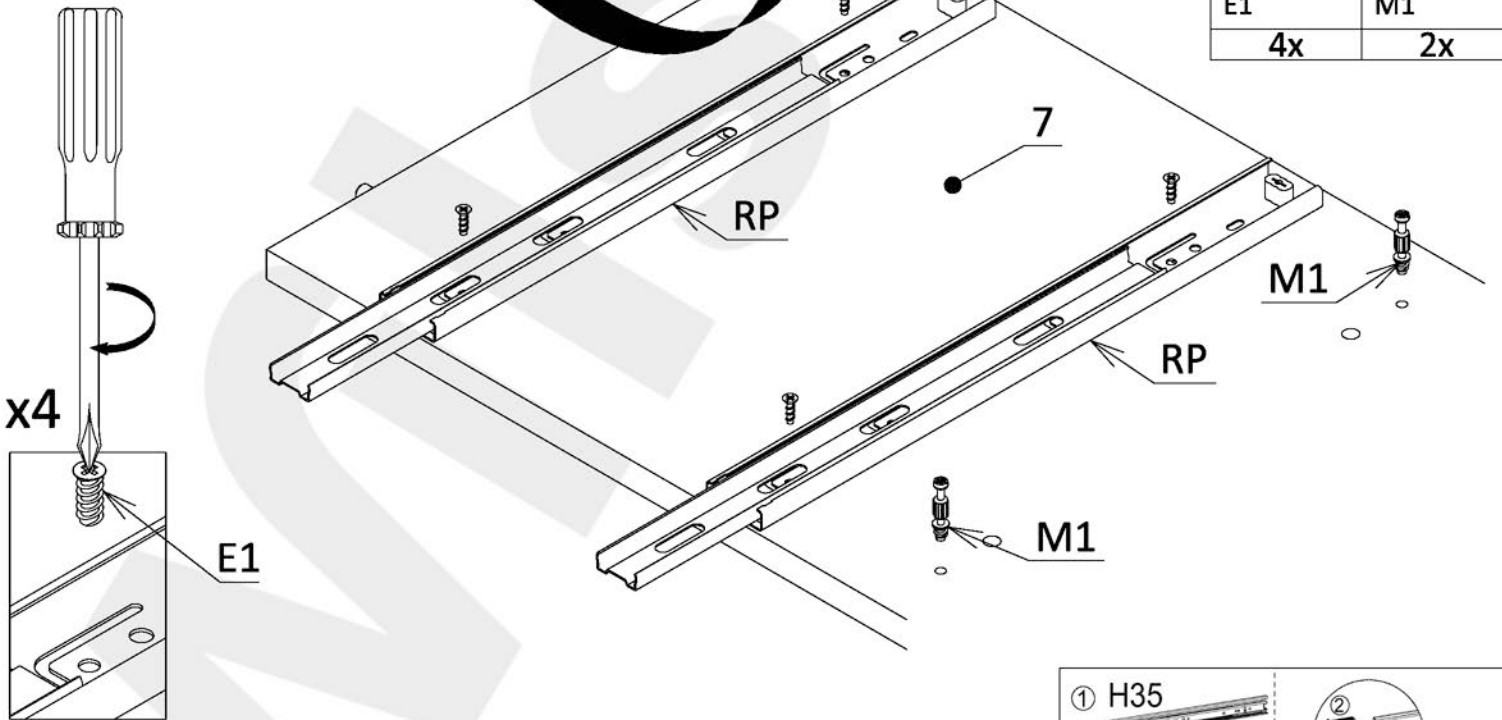
9

|  |  |  |  |
|--|--|--|--|
|  |  |  |  |
| PZ   | P  | K  | M  |
| 2x   | 4x   | 4x   | 4x   |

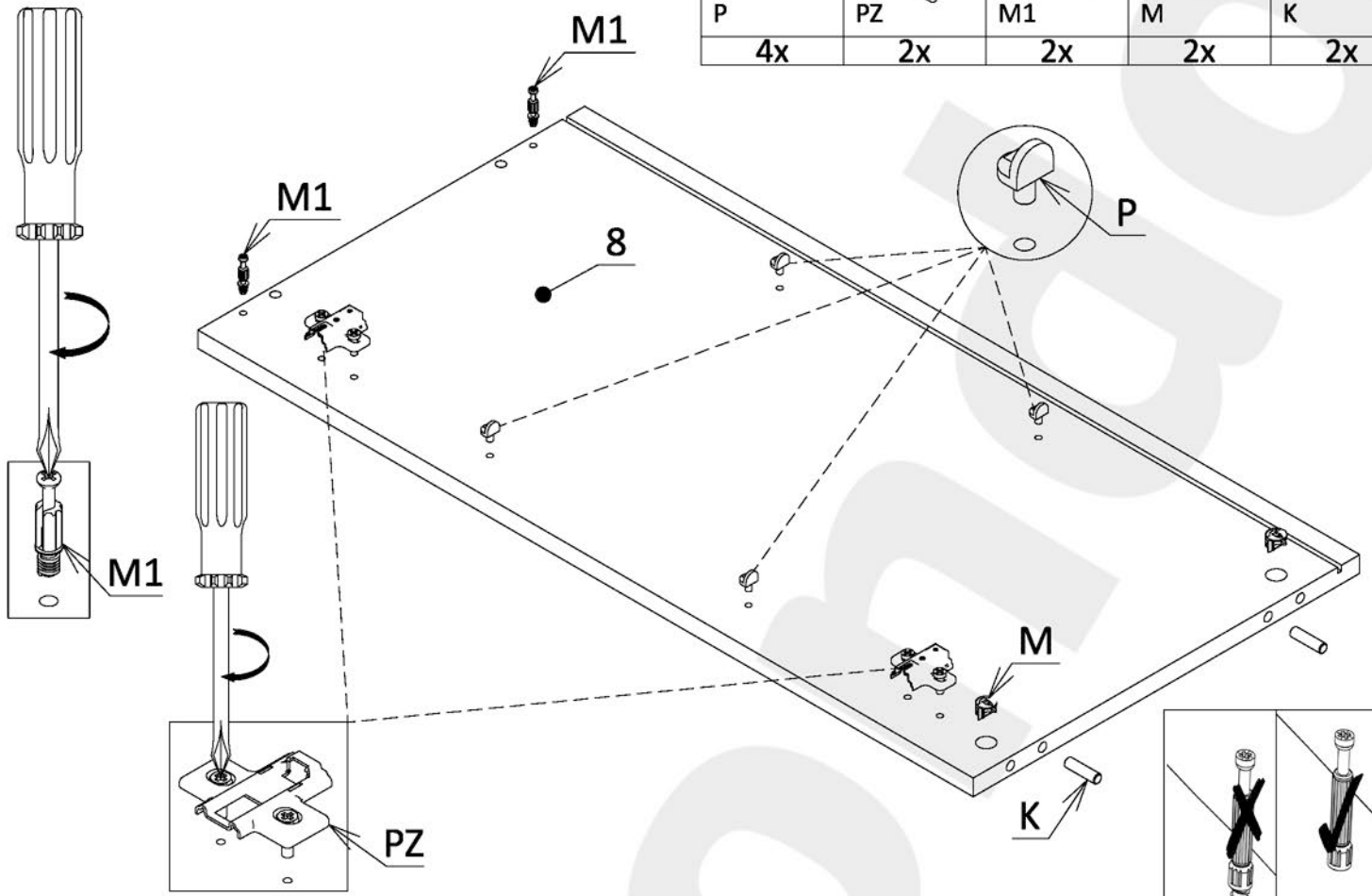


10

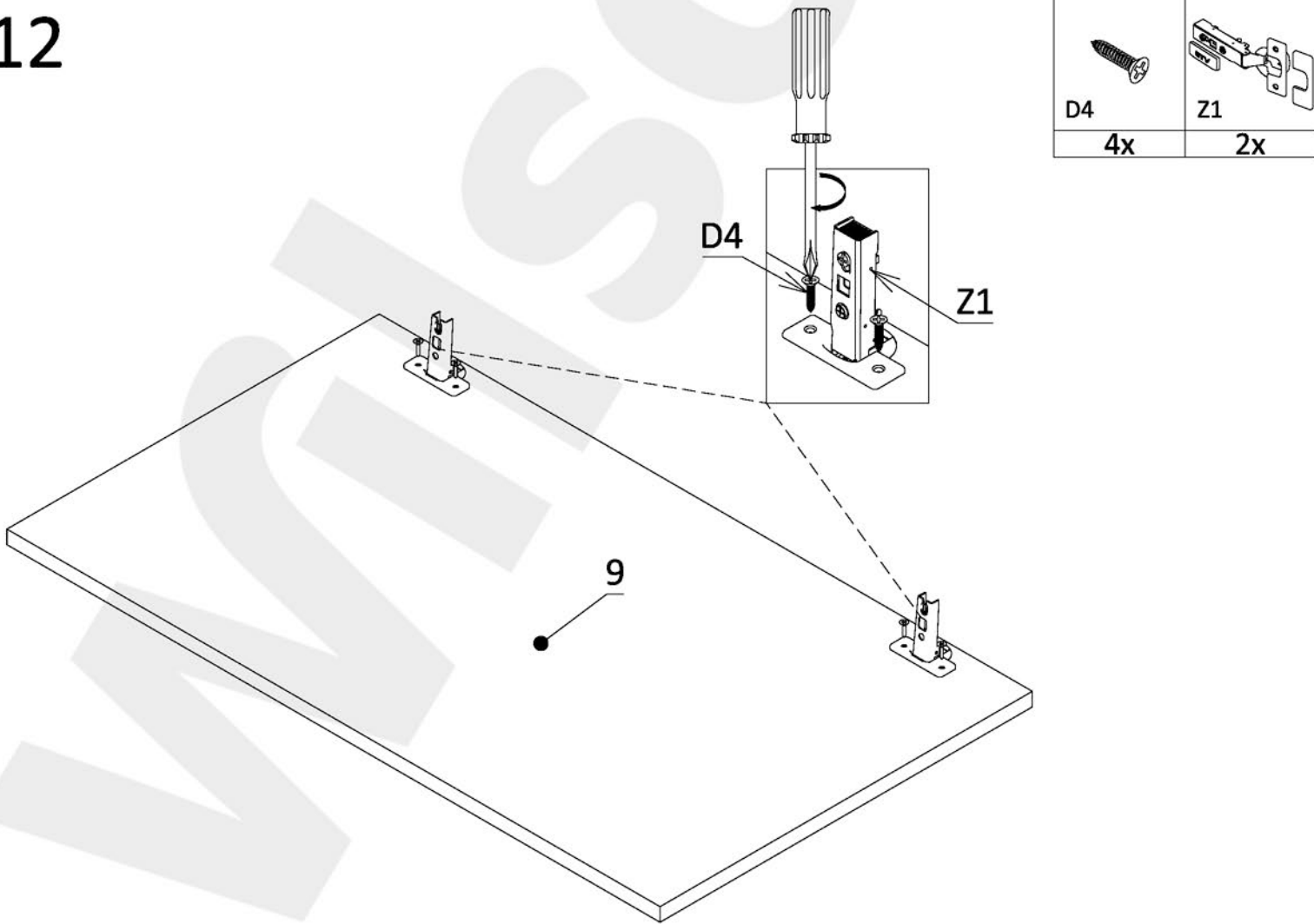
|   |   |
|---|---|
|  |  |
| E1  | M1  |
| 4x  | 2x  |



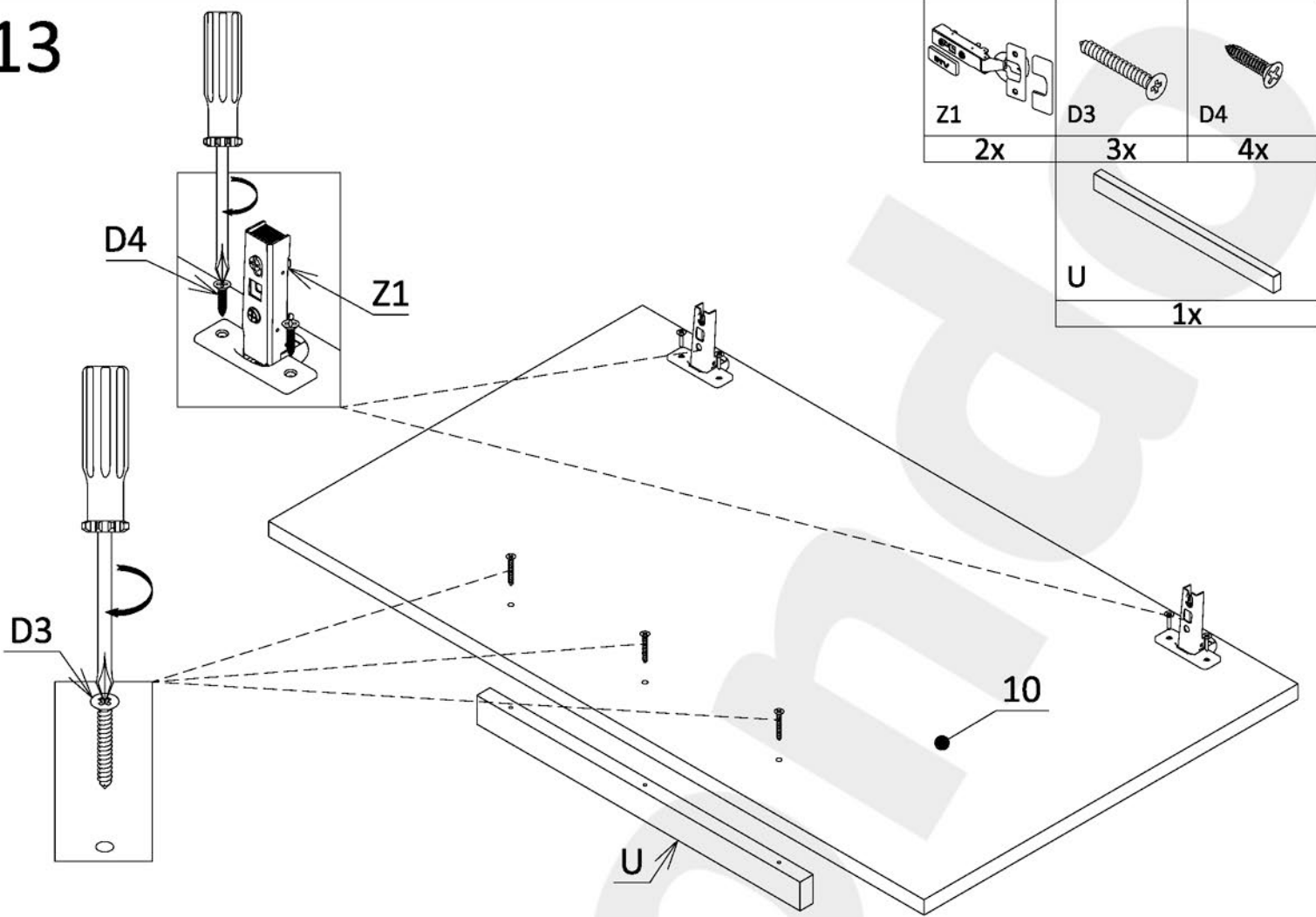
# 11



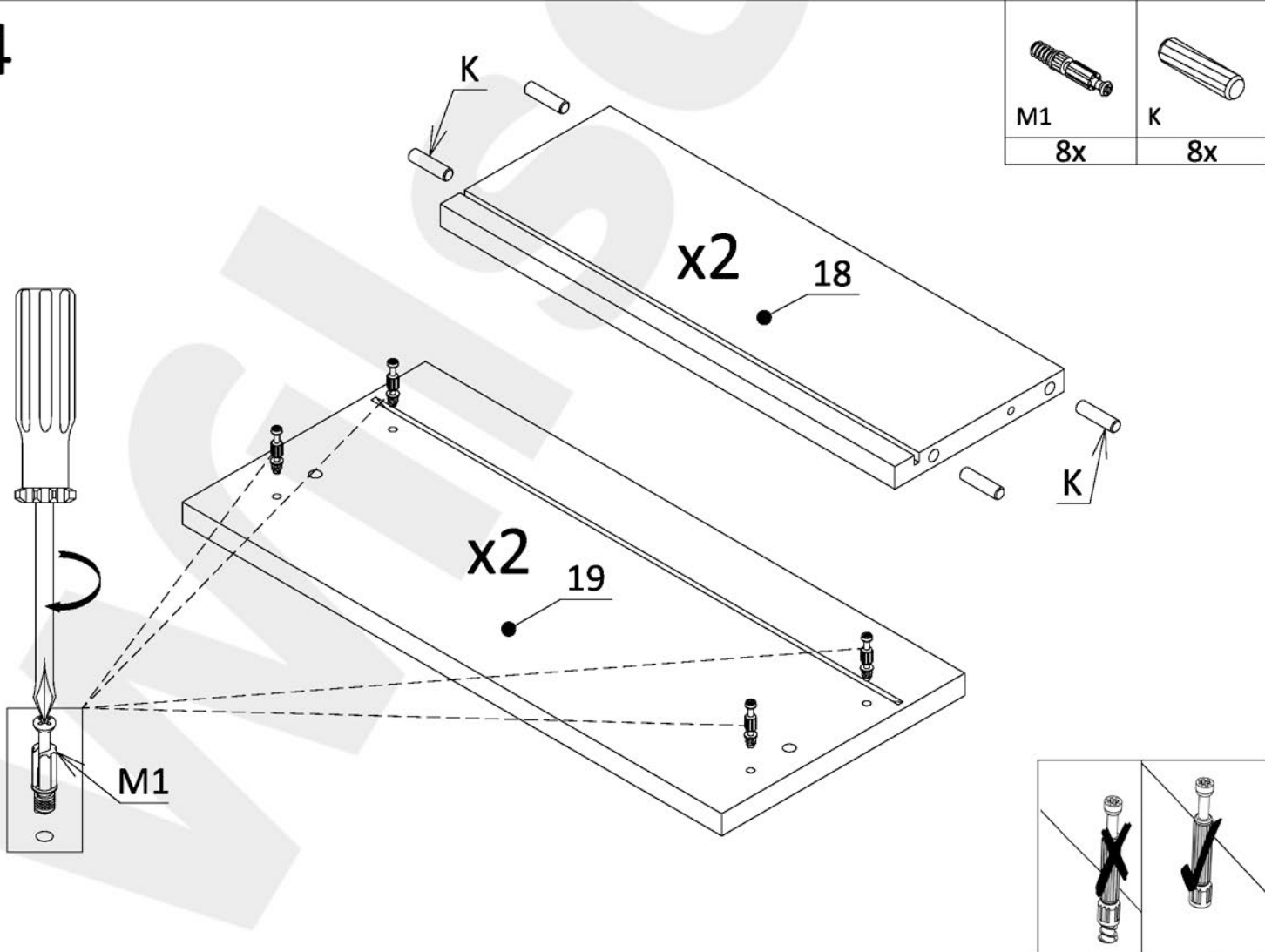
# 12





# 13

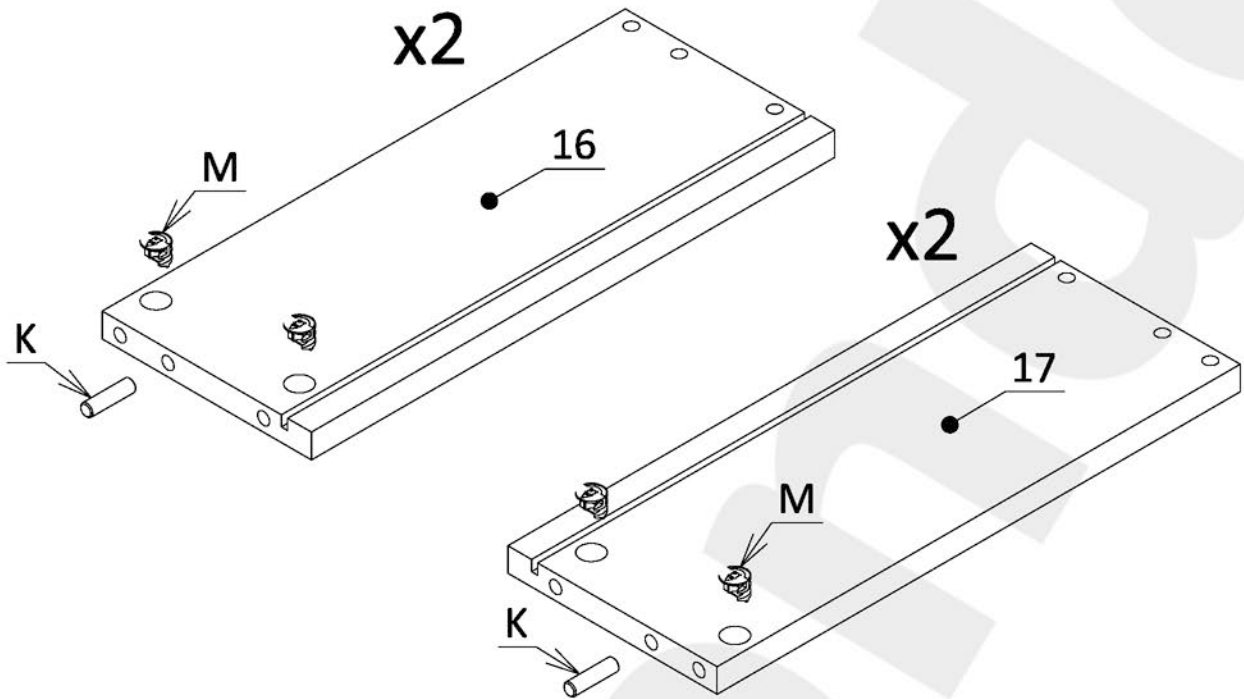


# 14

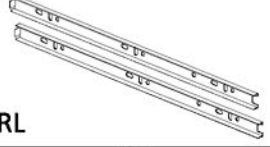



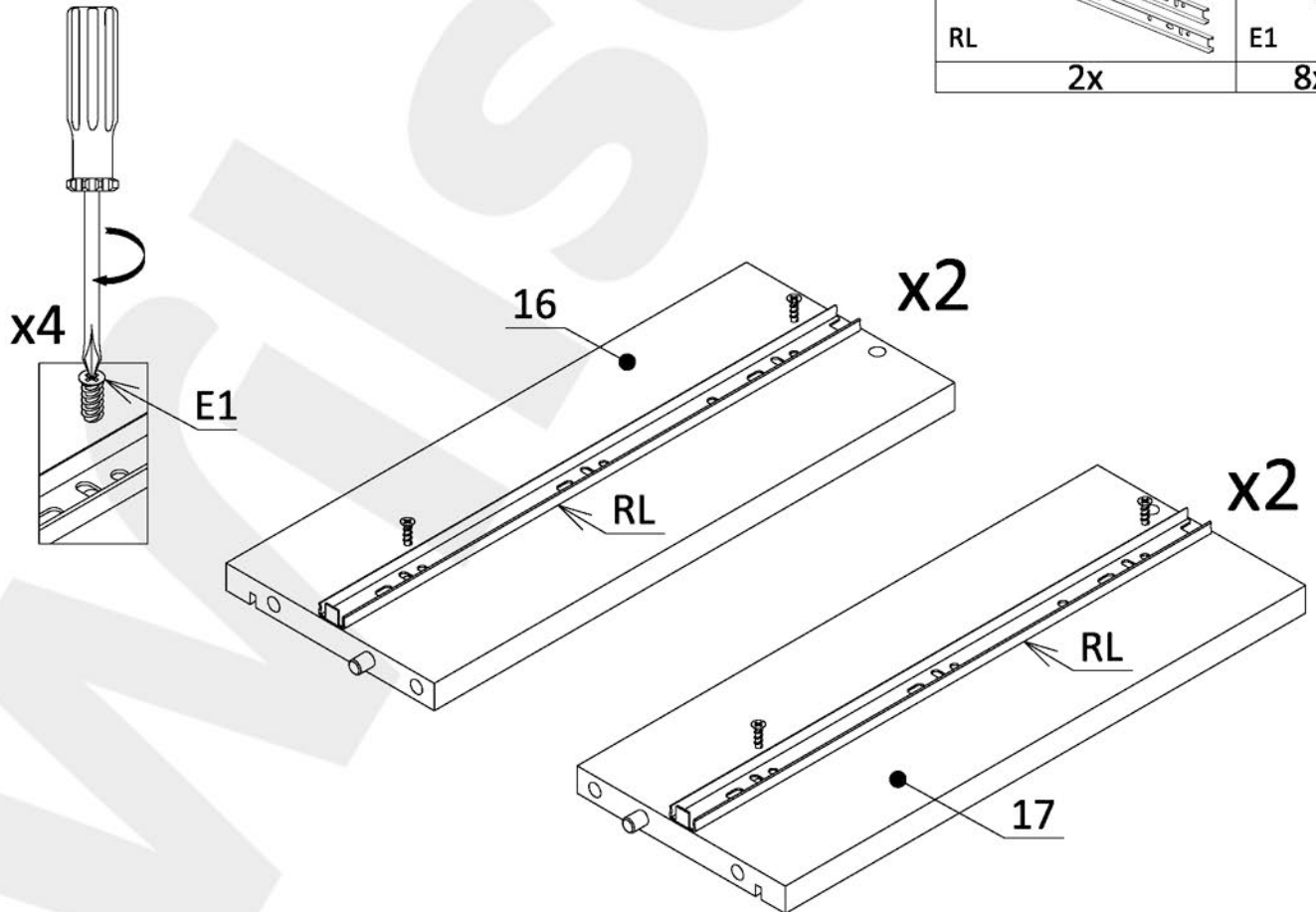
# 15

|  |  |
|--|--|
|  |  |
| M  | K  |
| 8x   | 4x   |



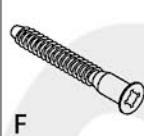

# 16

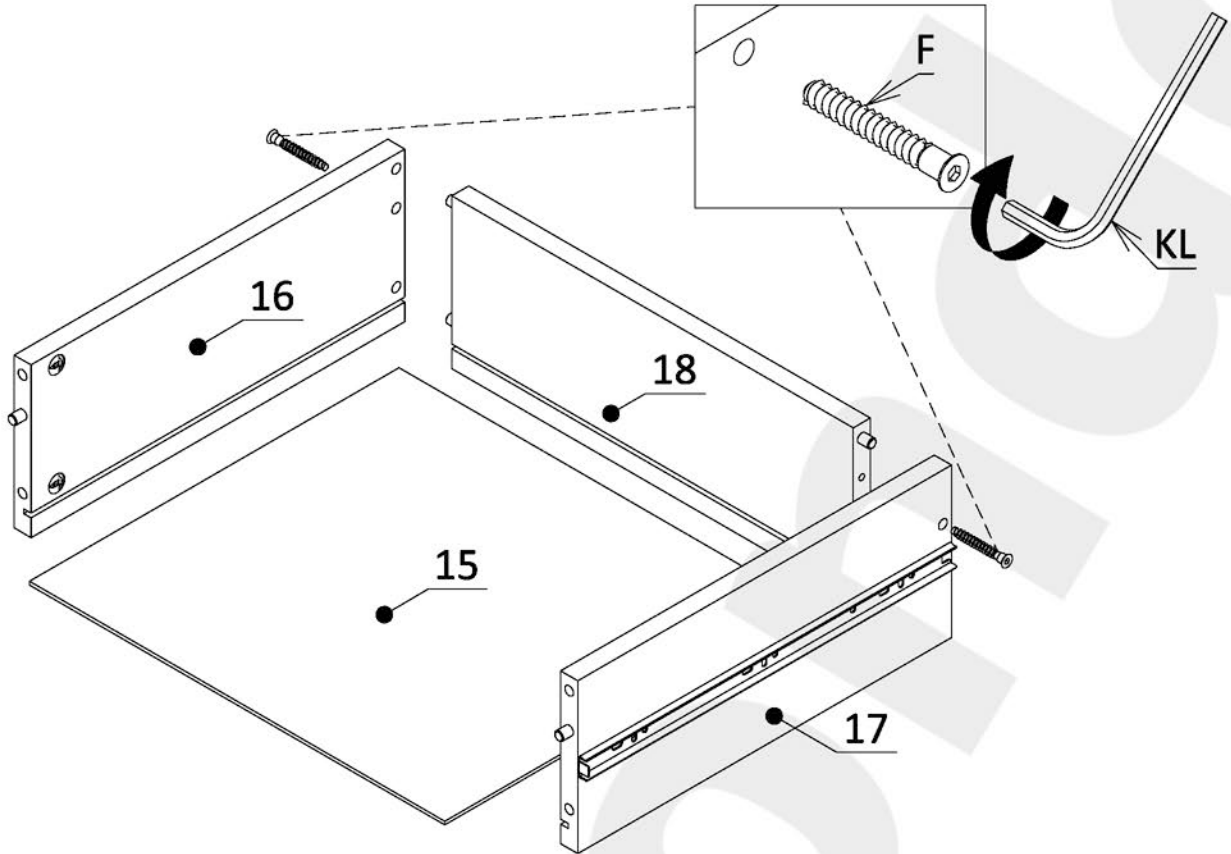
|   |   |
|---|---|
|  |  |
| RL  | E1  |
| 2x  | 8x  |



17

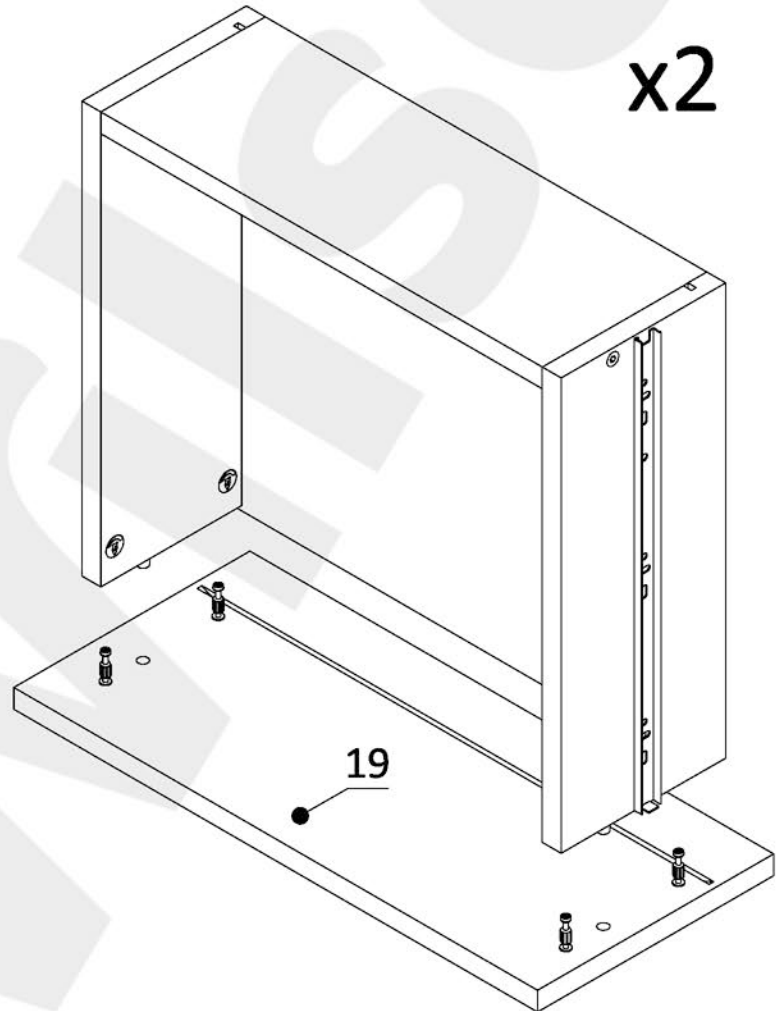
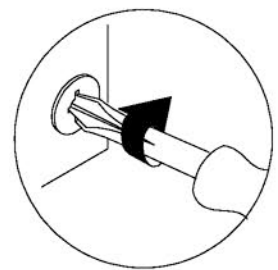
x2

|  |  |
|--|--|
|  |  |
| F  | KL   |
| 4x   | 1x   |



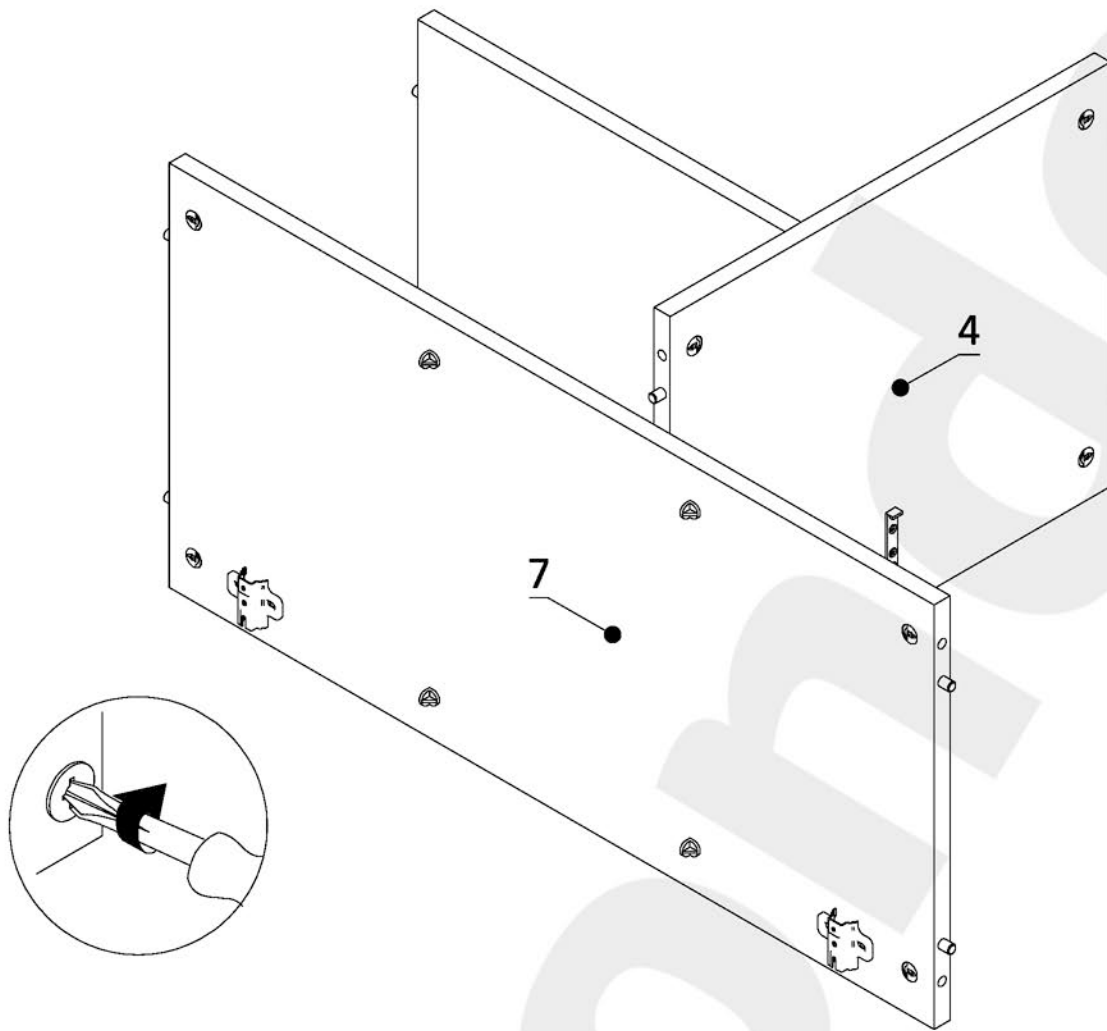
18

x2

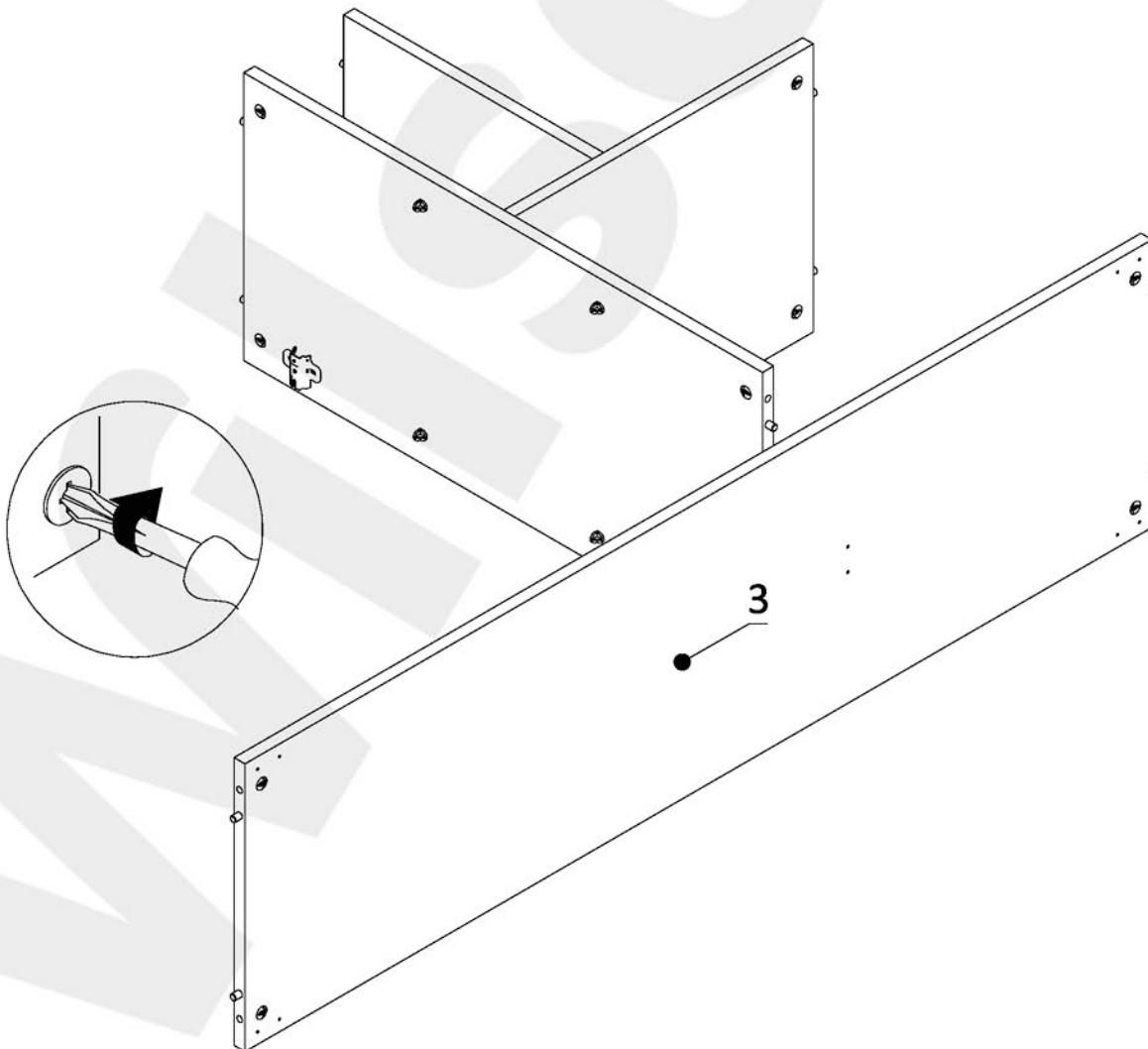




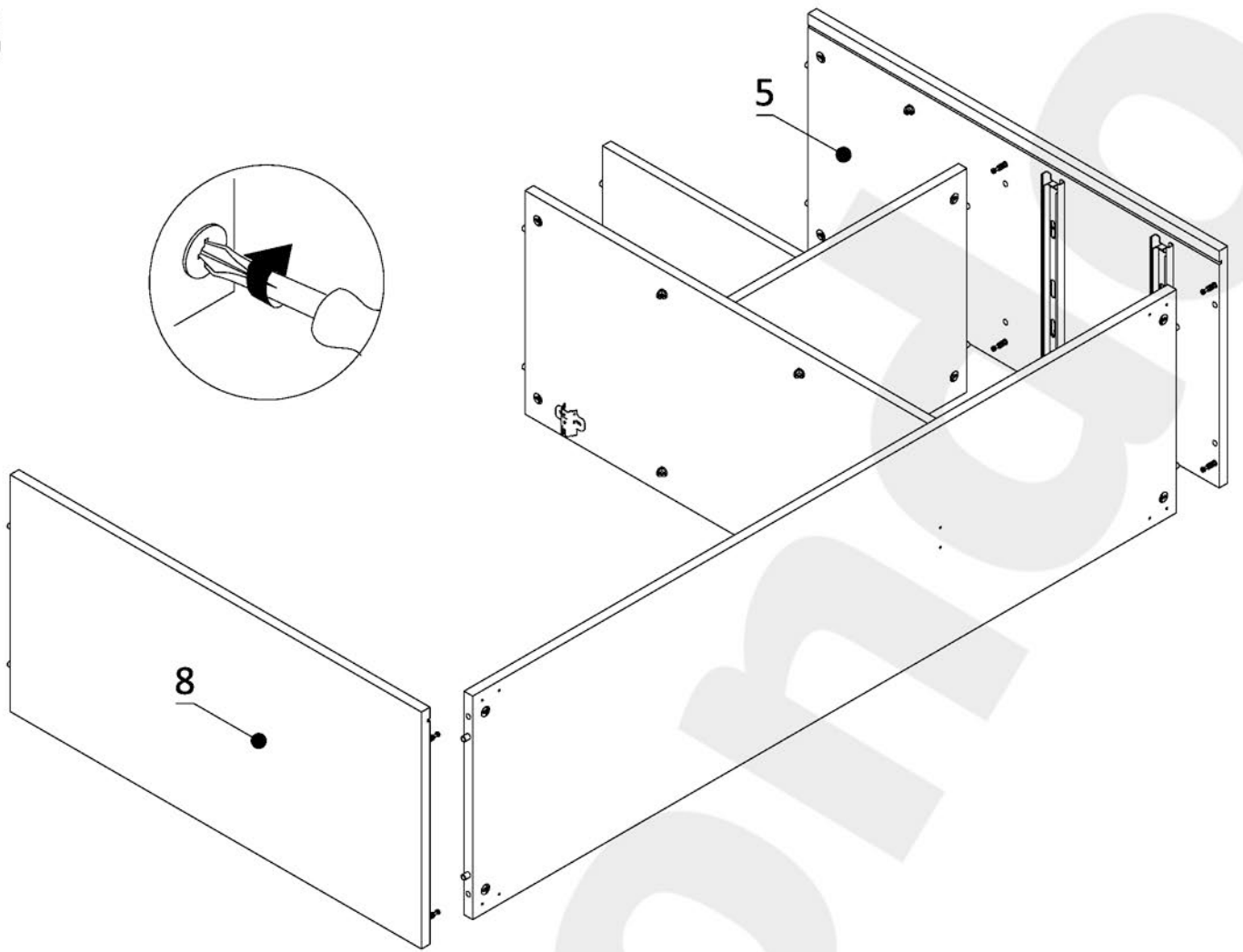
21



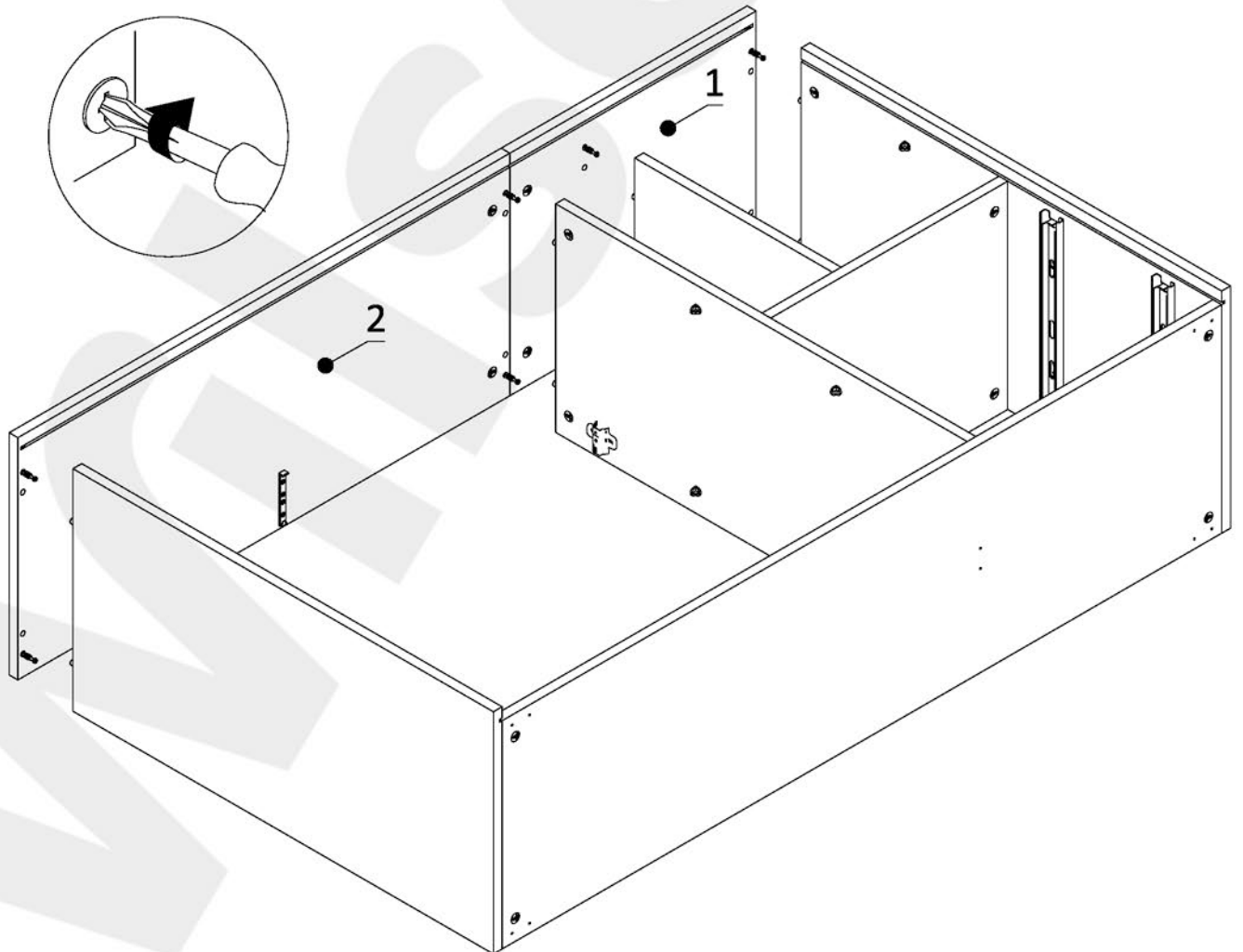
22



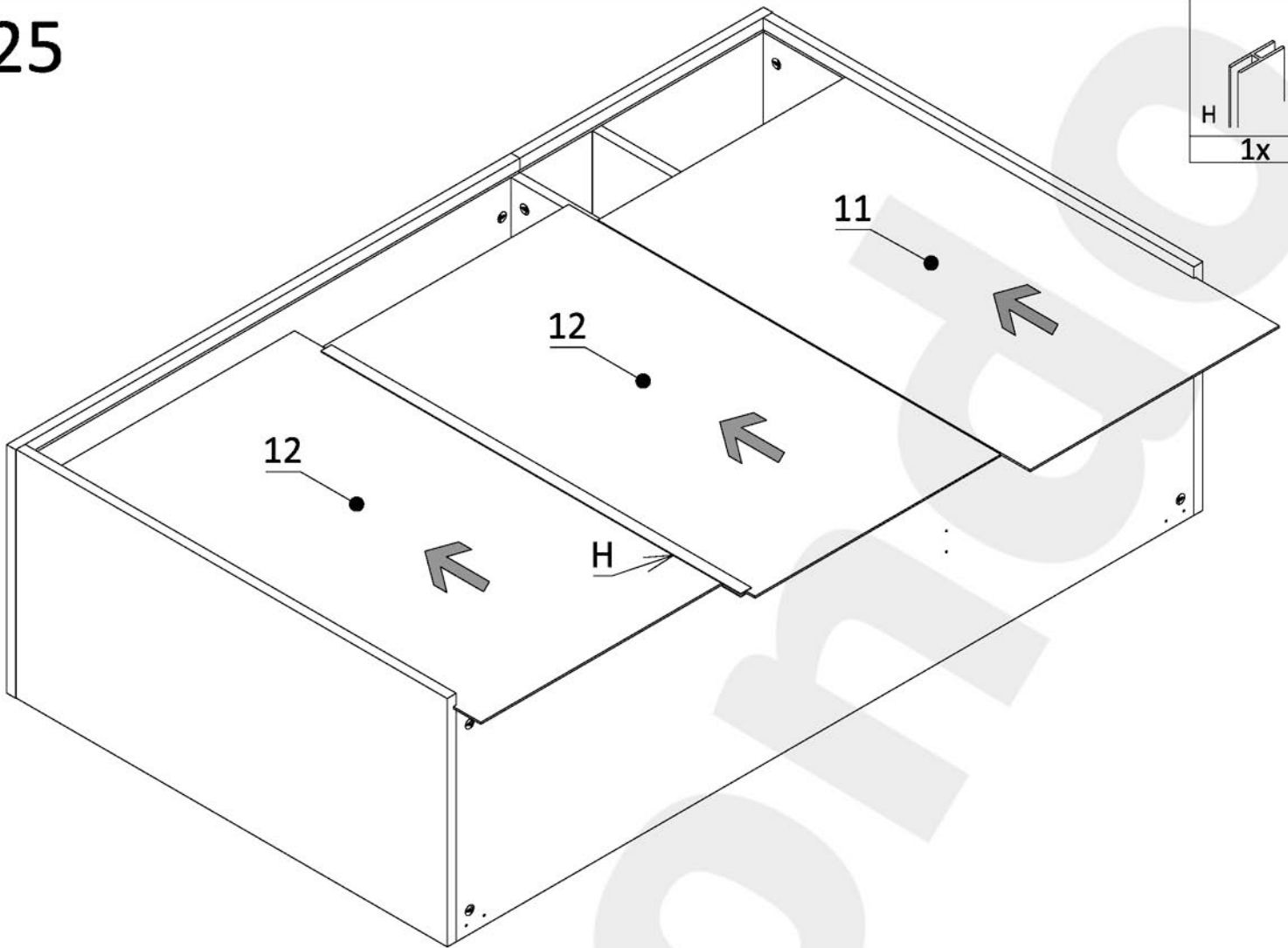
23



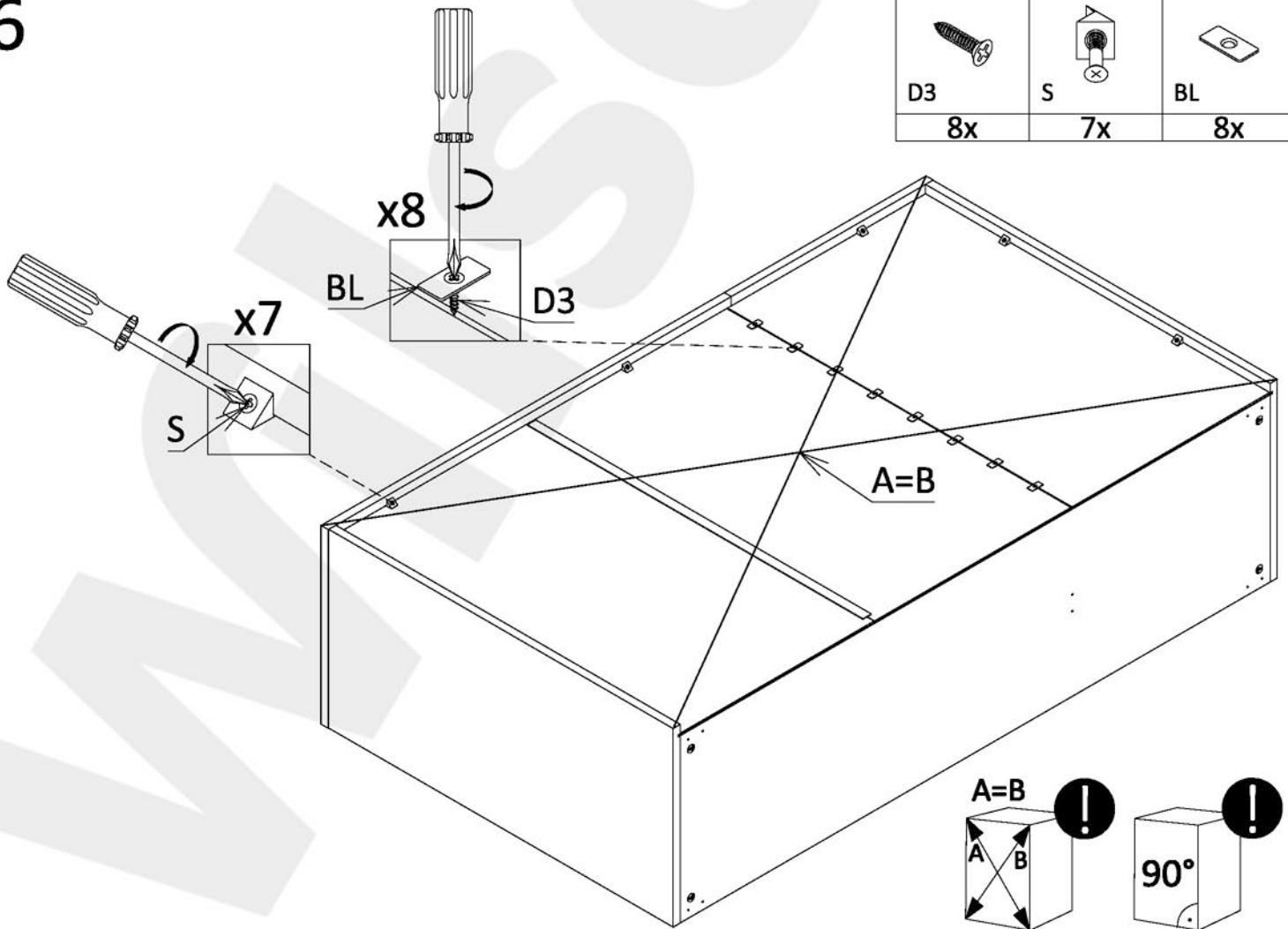
24



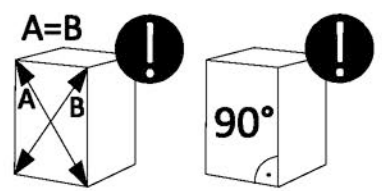
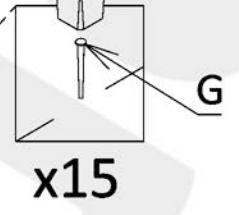
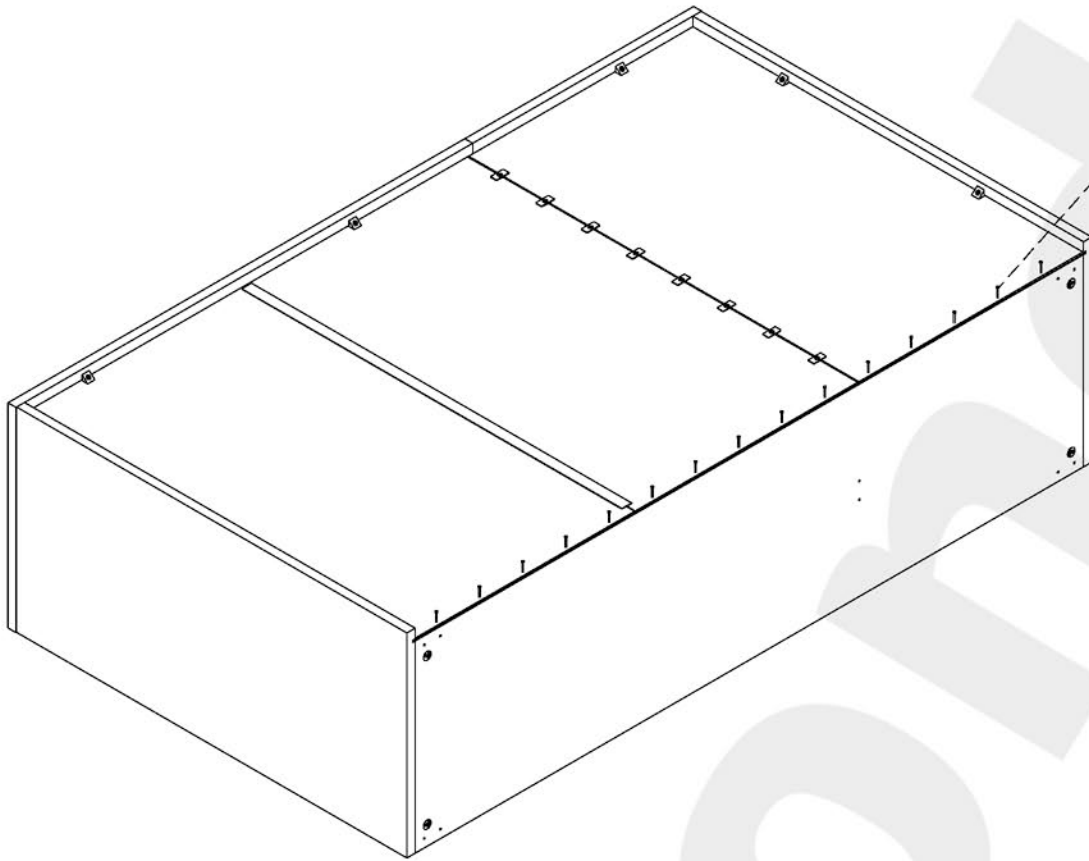
# 25



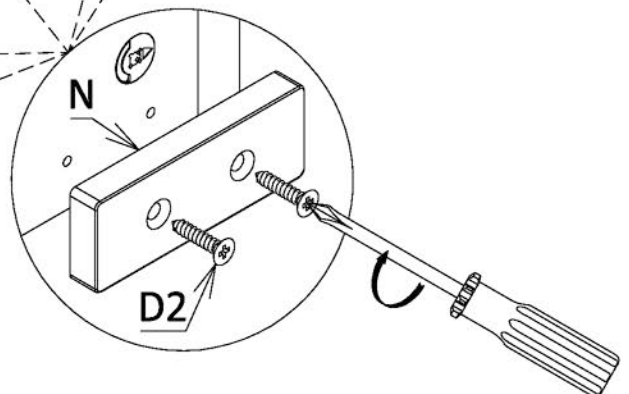
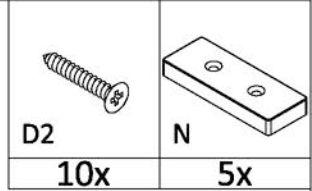
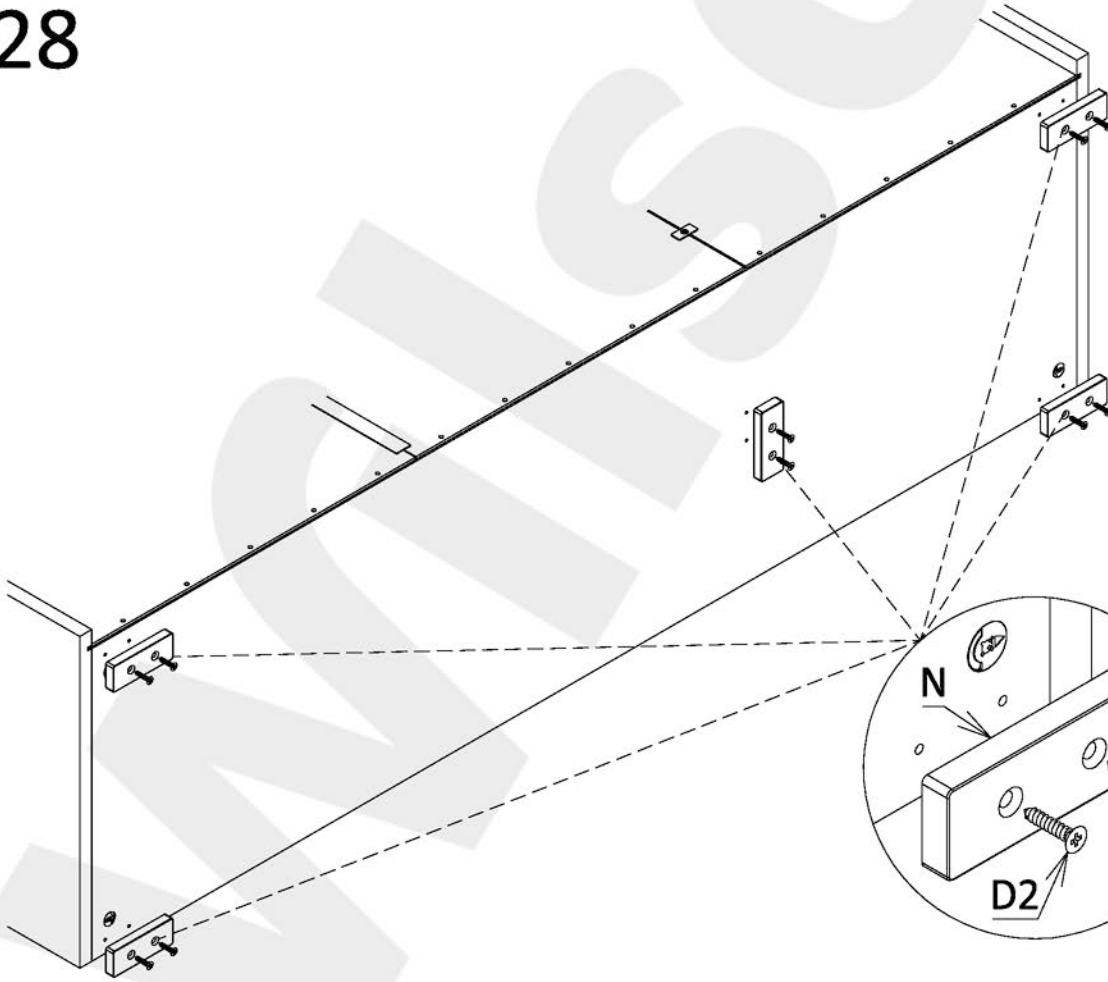
# 26



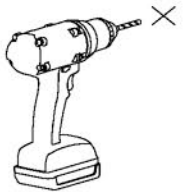
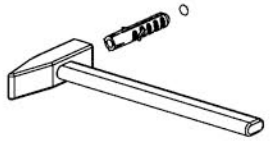
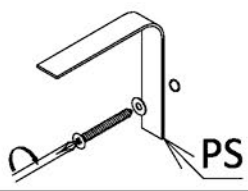
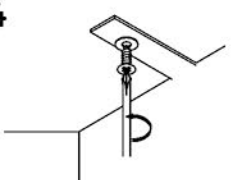
27






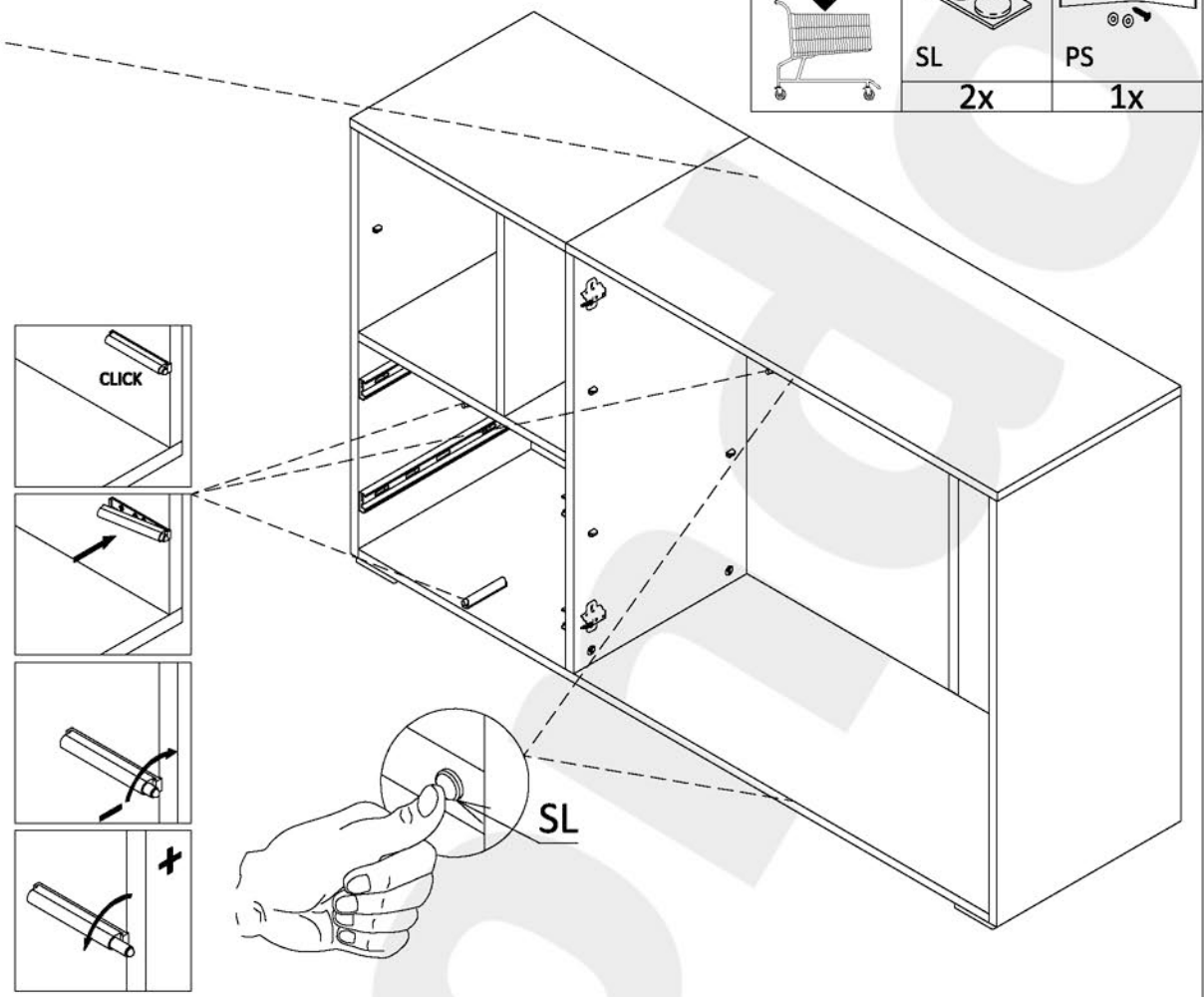
28



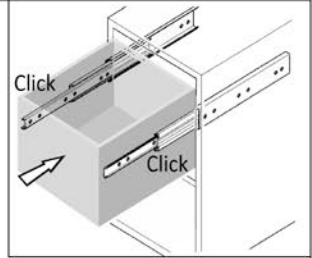
# 29

- 1 
- 2 
- 3 
- 4 

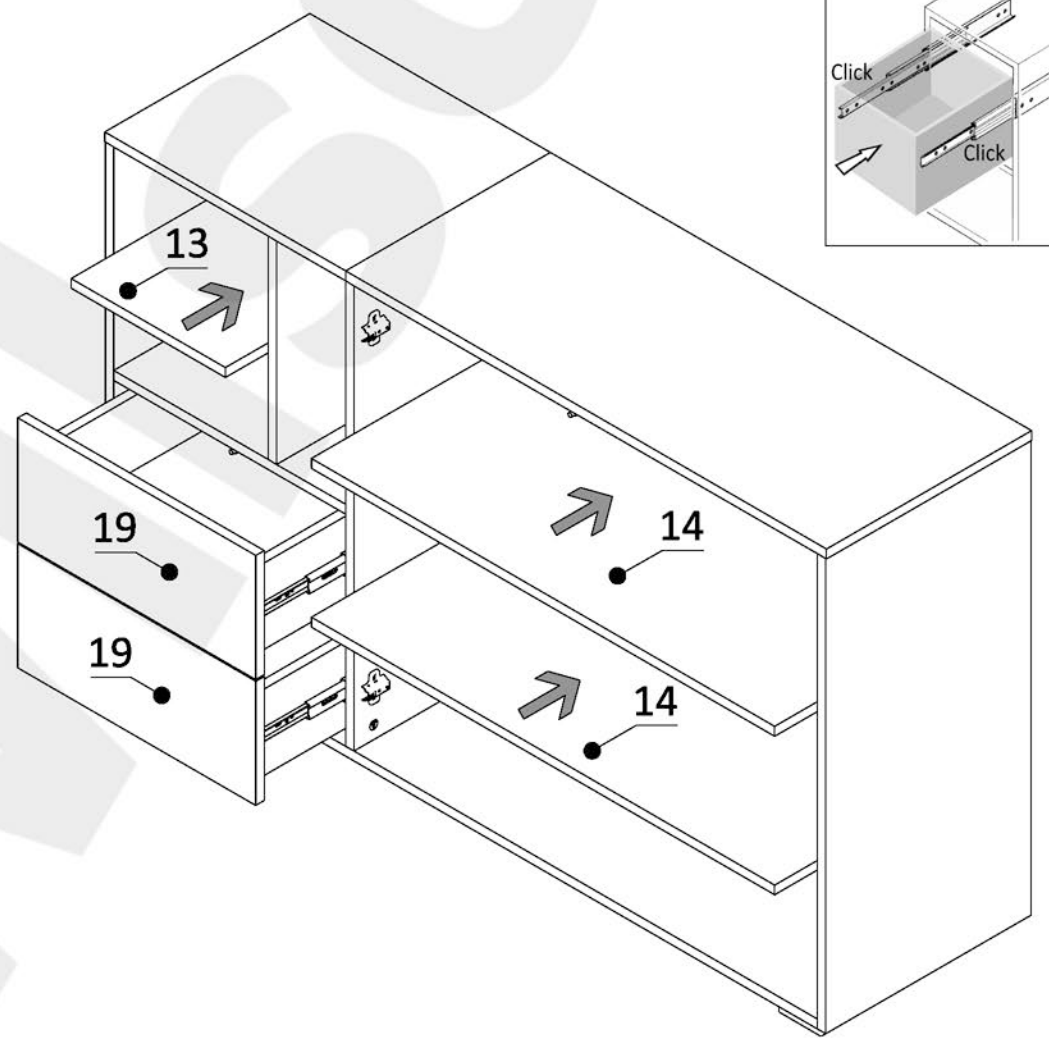
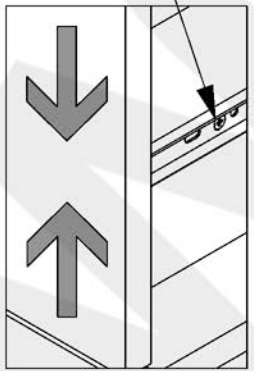
|  |  |  |
|--|--|--|
|  |  |  |
|  | SL   | PS   |
|  | 2x   | 1x   |



# 30



regulacja!  
regulation!  
verordnung!



31

