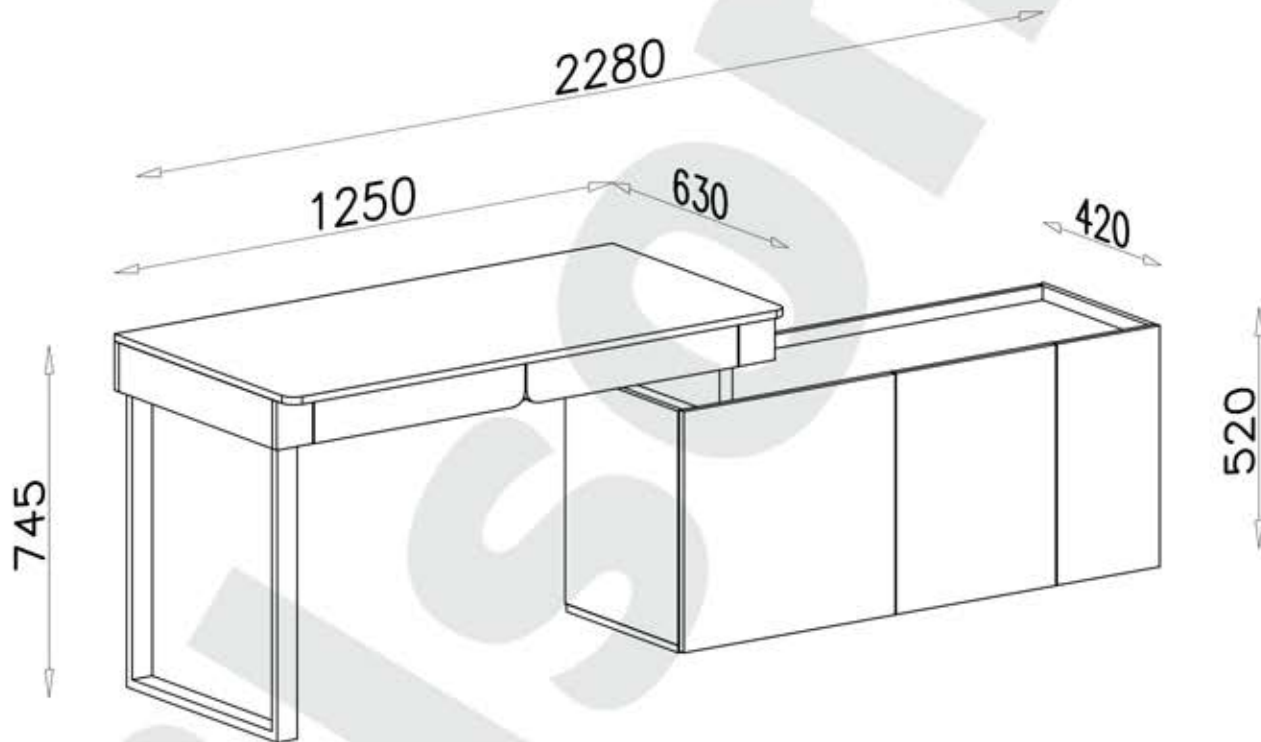
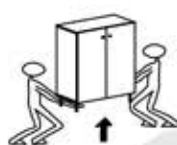
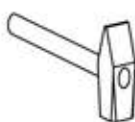
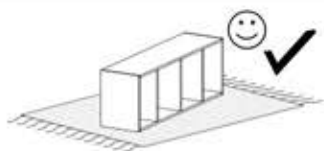


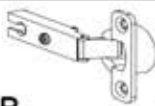

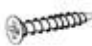






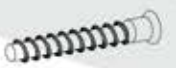




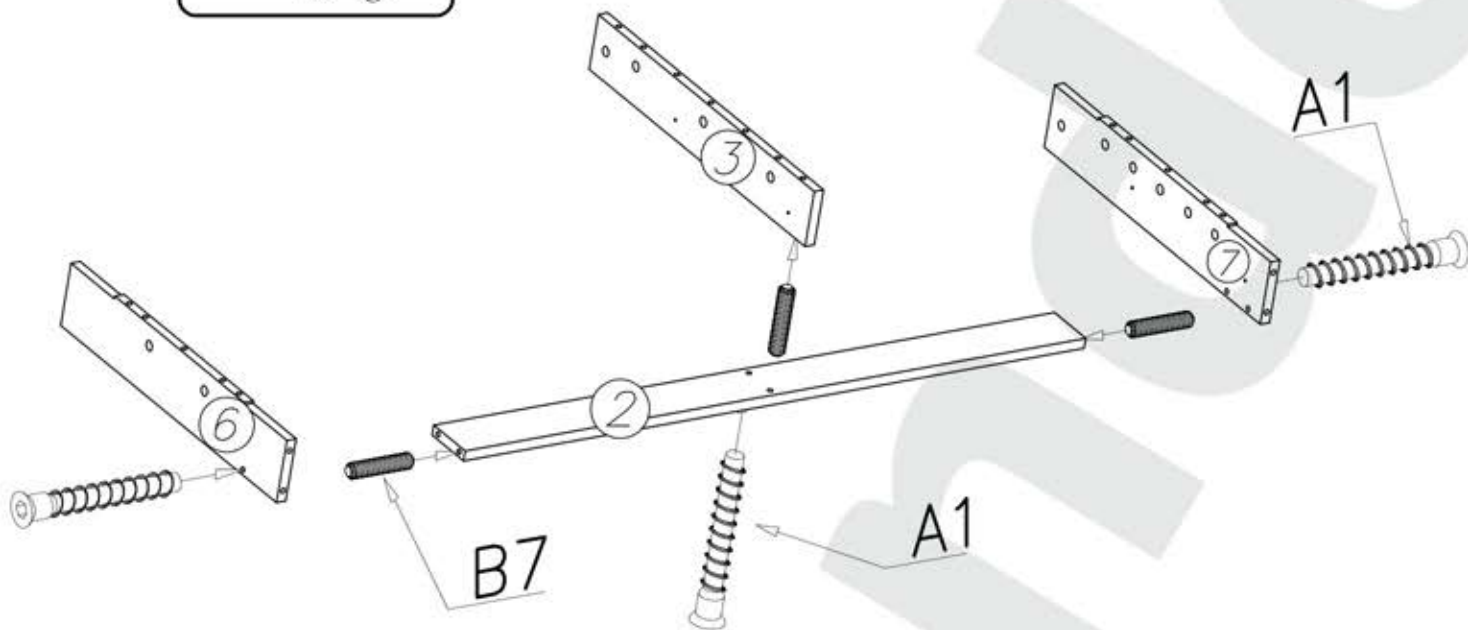
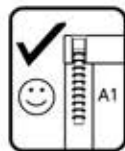
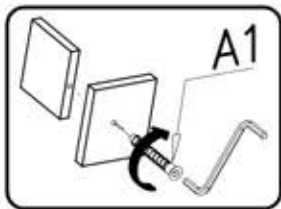


# LUCA LC 10

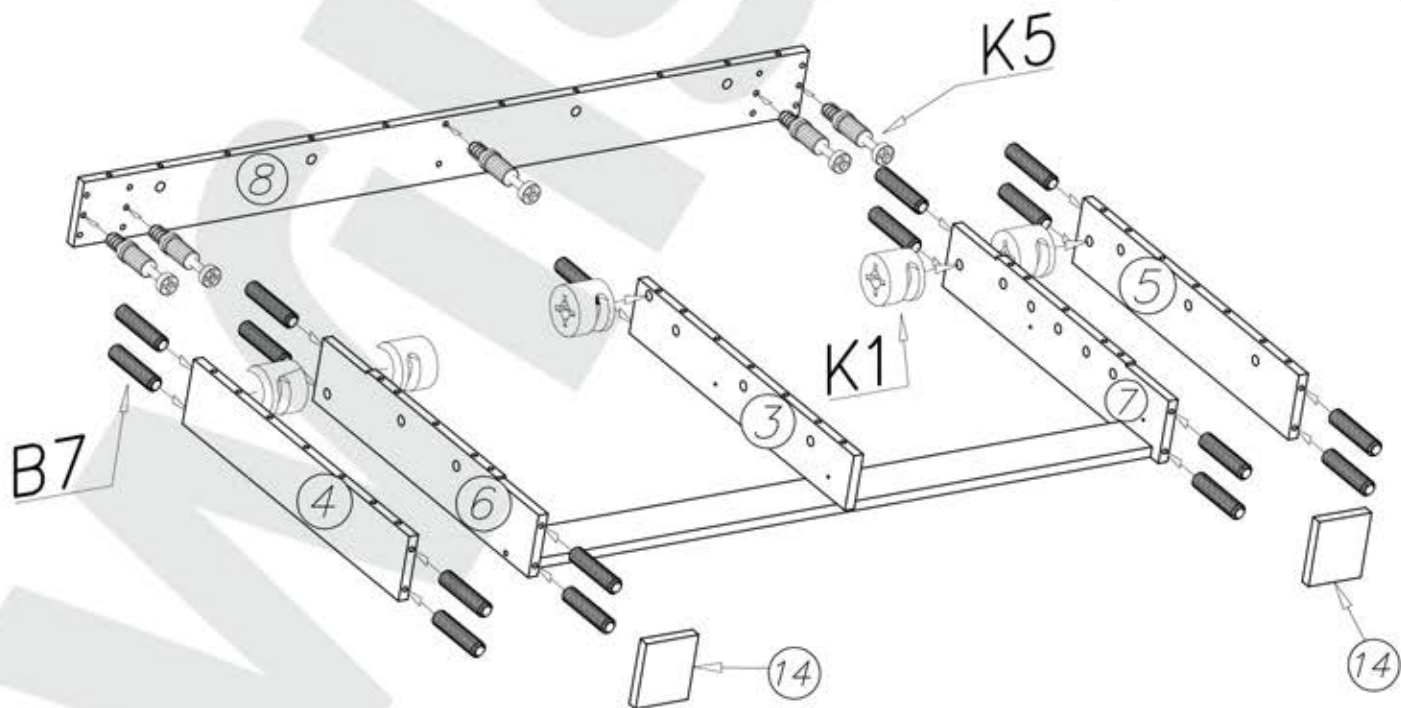
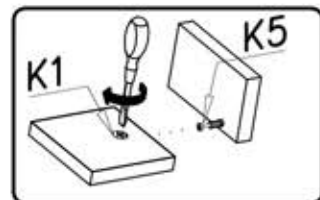
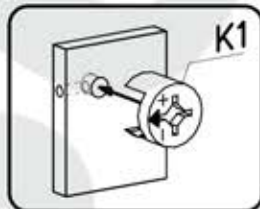
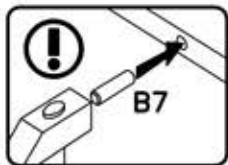


	F1  x12	D3  x6 PZ35PR	C3  x6 Z35PR
P3  x8	G2  x45 3x20	W1  x8 6x16	B  x2
W6  x5 GLUE, LEIM, LEPIDLO, LIM	I7  x34 ø18	K5  x34	K1  x34 ø15x12
A1  x16 ø7x50	B7  x95 ø8x30	W2  x1	G1  x20 4x13
			H26  x2 400mm

I



II

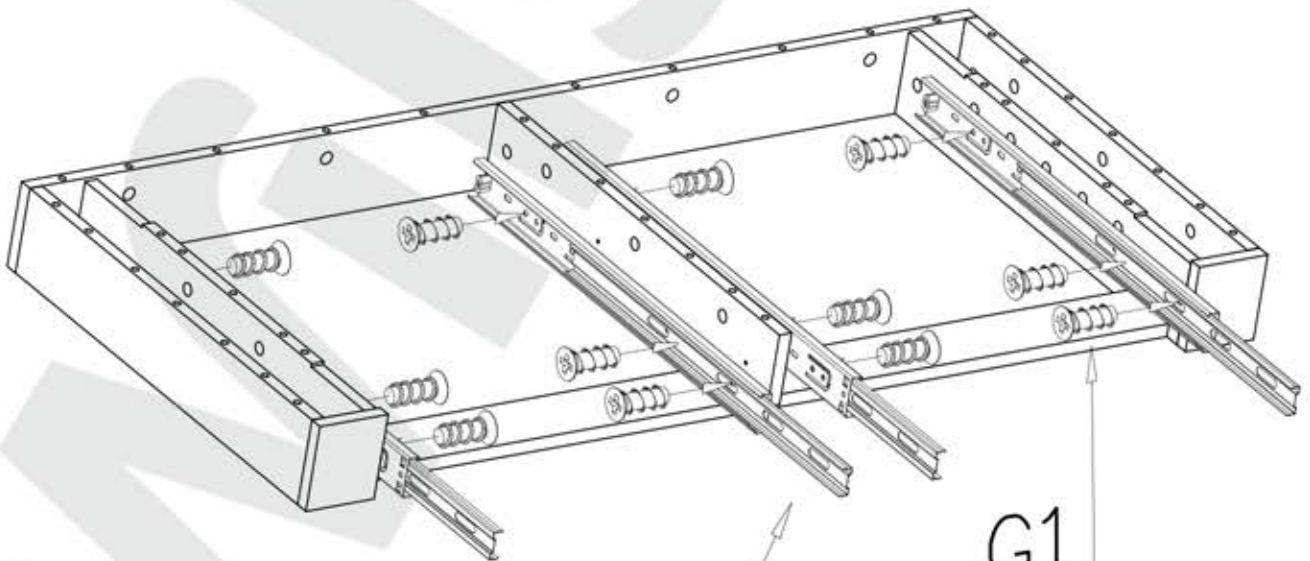
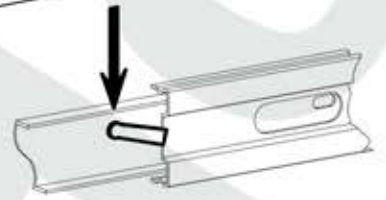


III

A



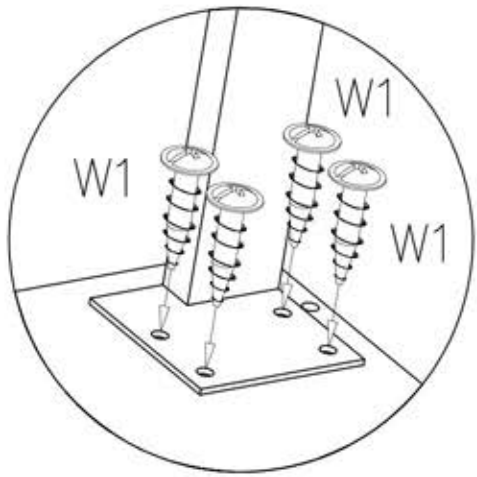
B



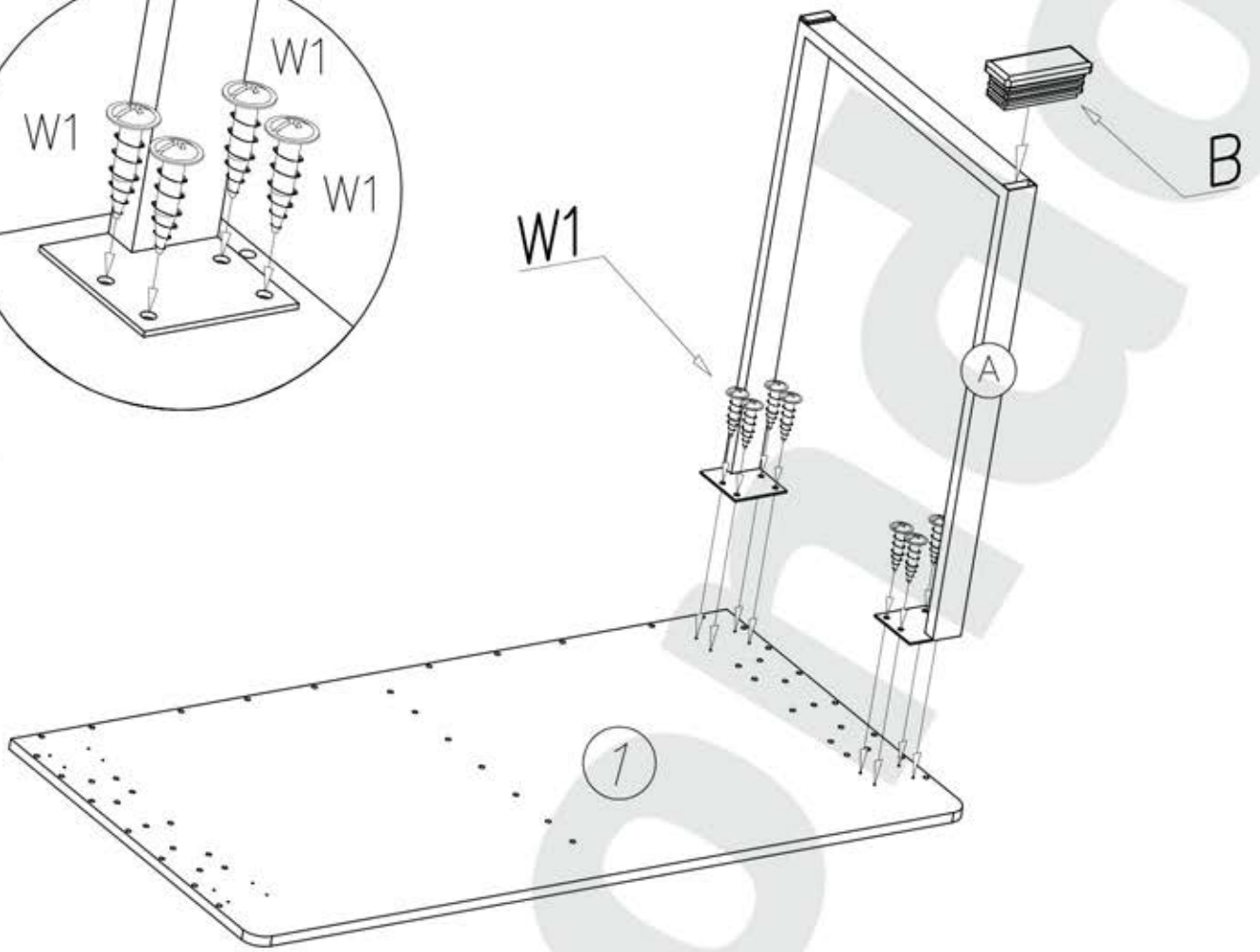
H26

G1

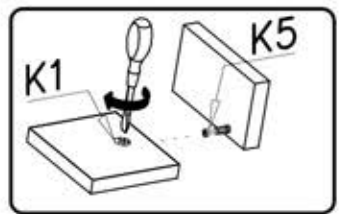
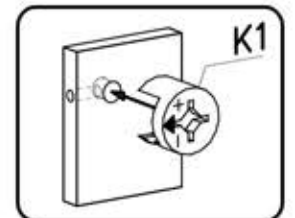
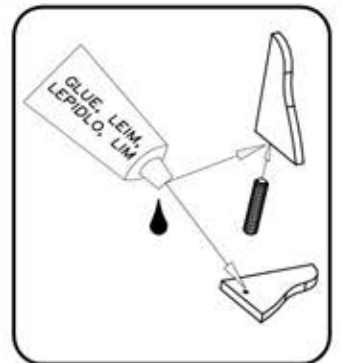
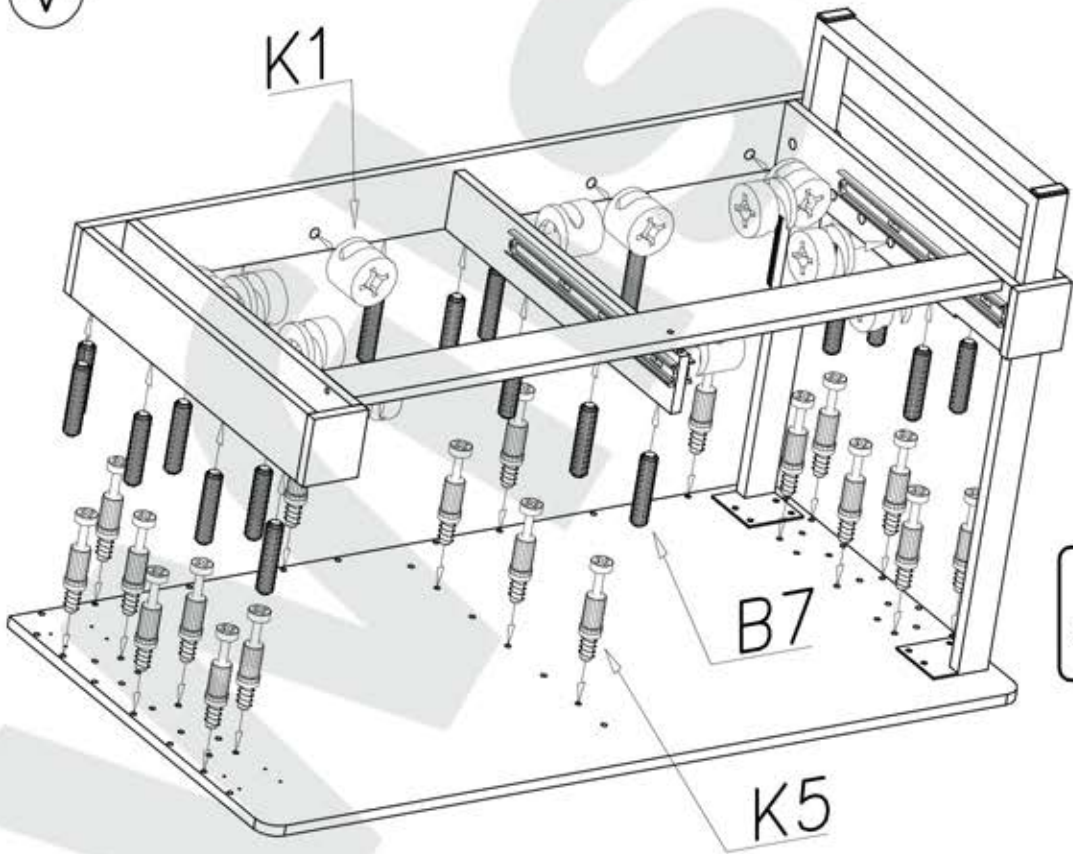




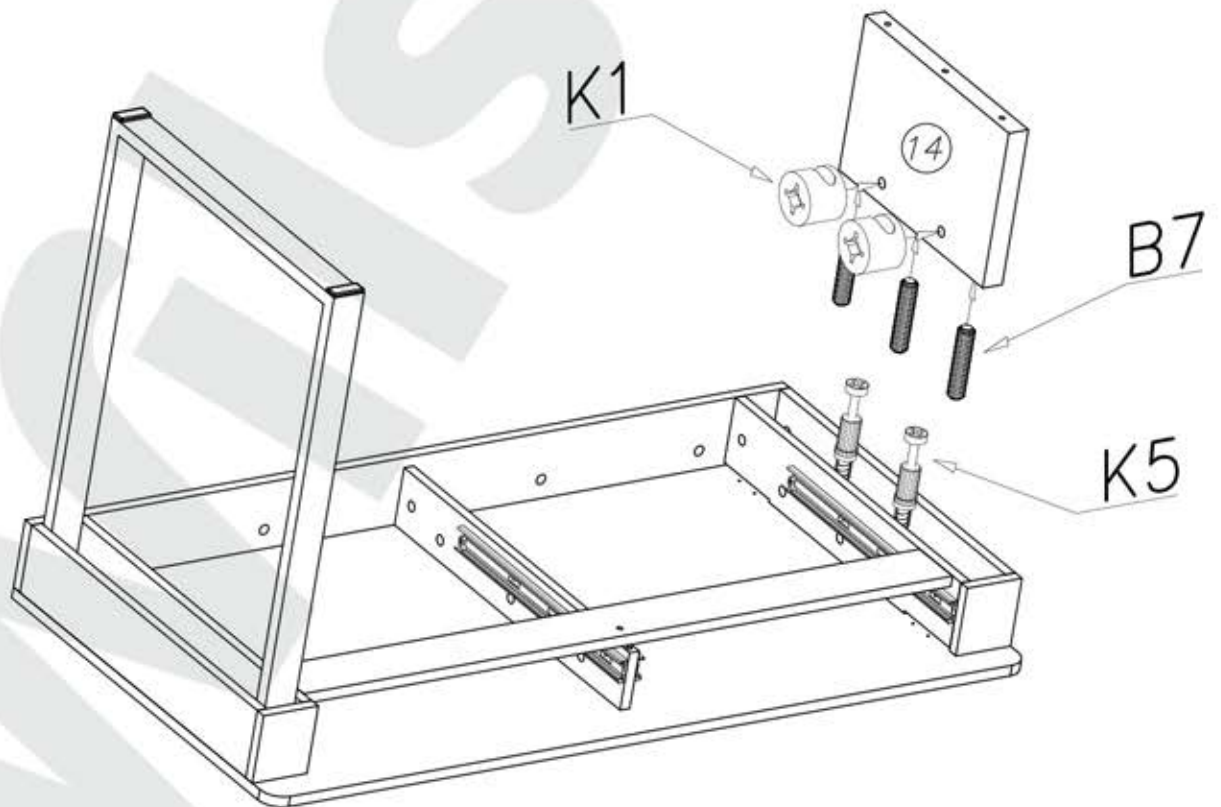
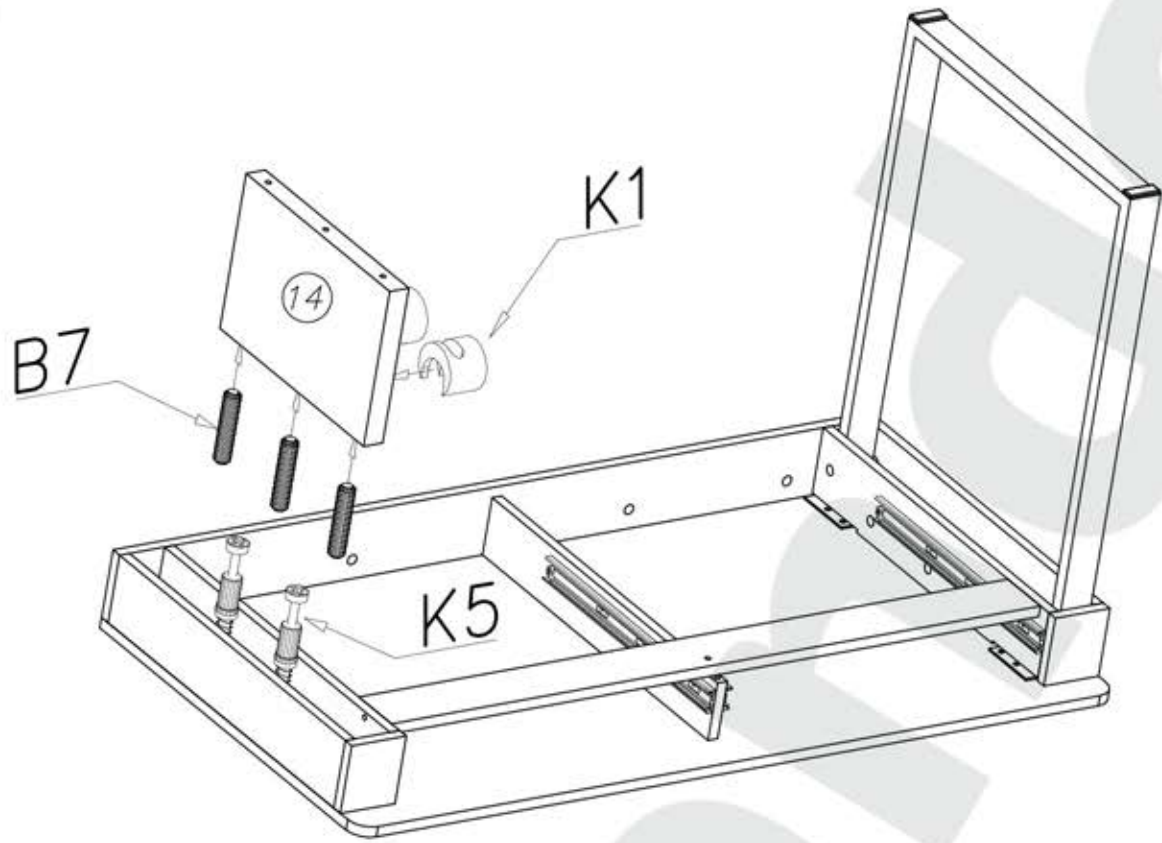
IV



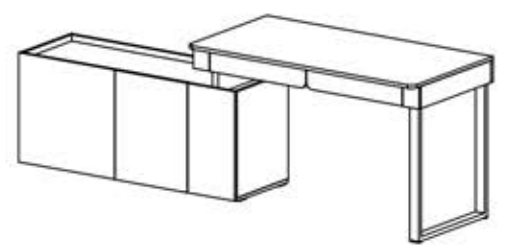
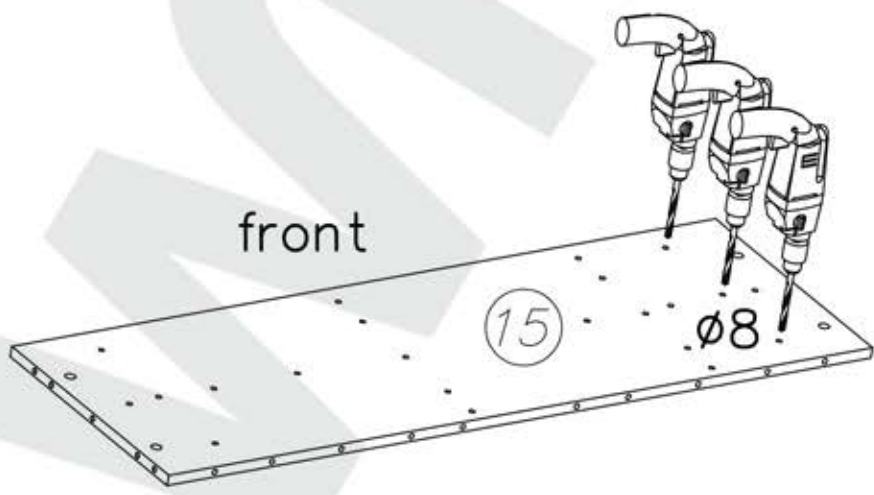
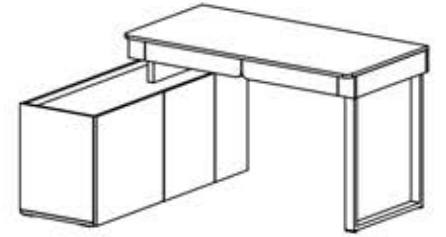
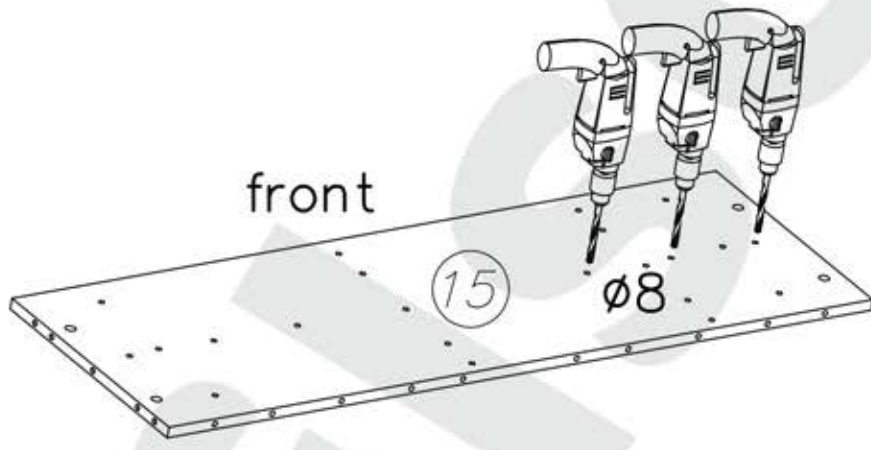
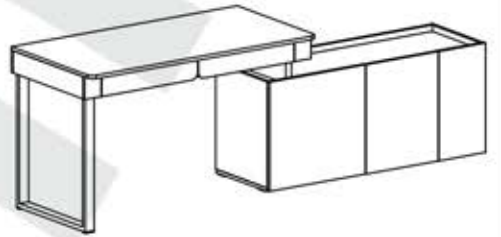
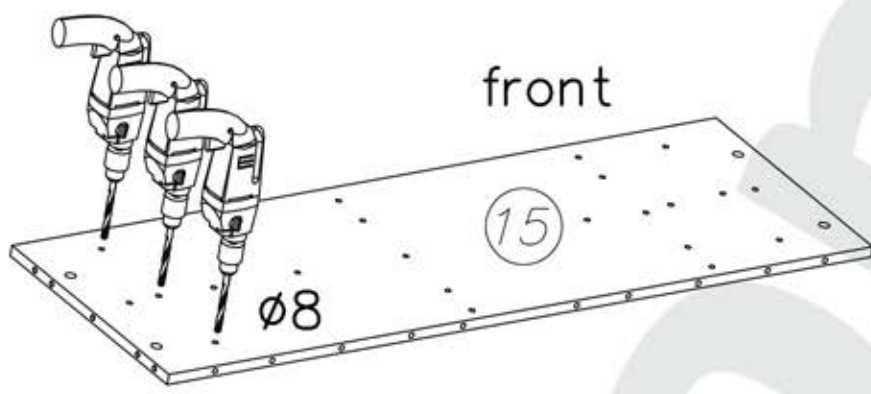
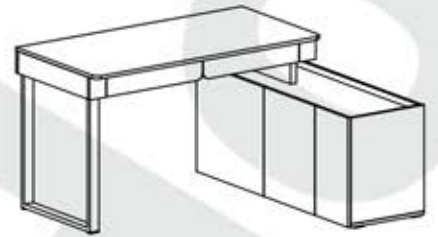
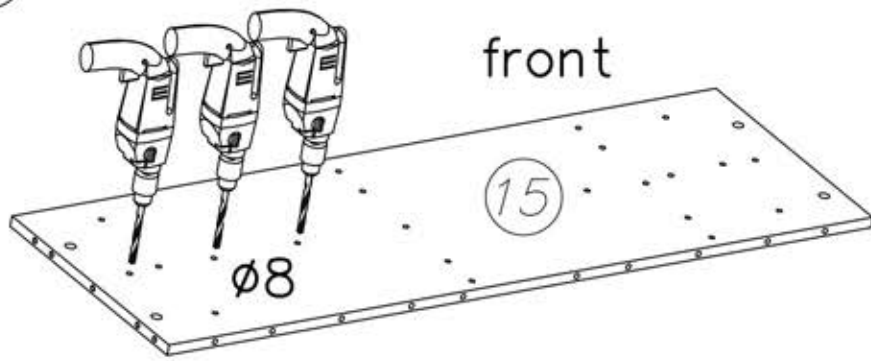
V



VI

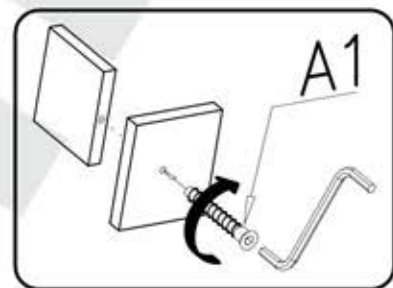
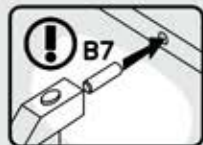
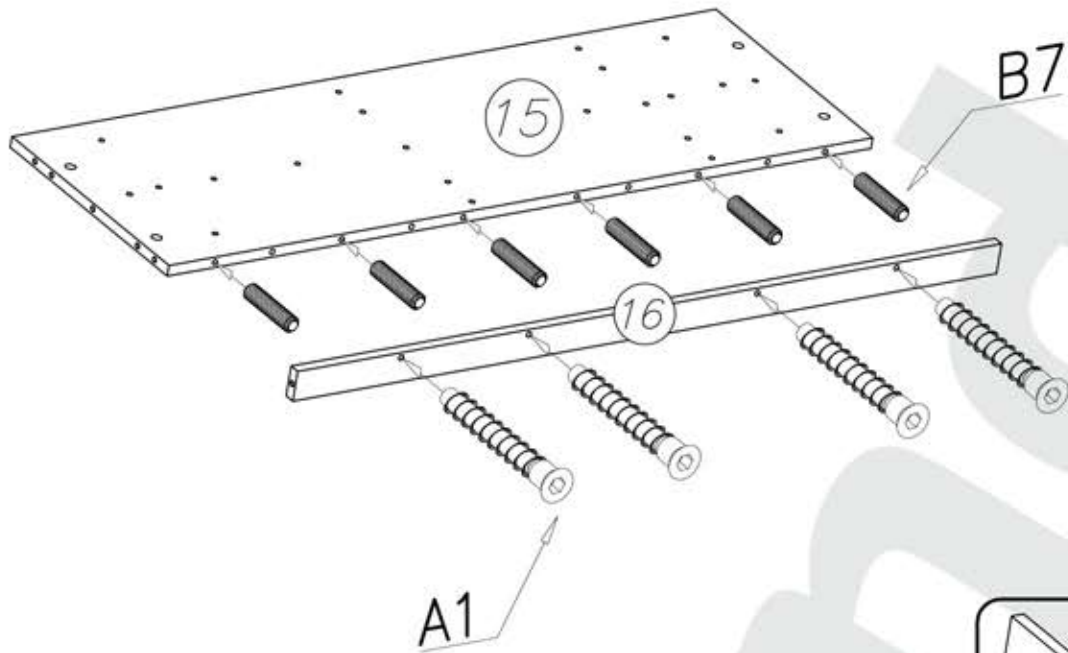


VII

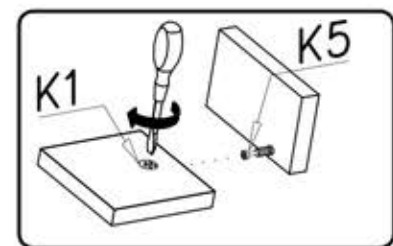
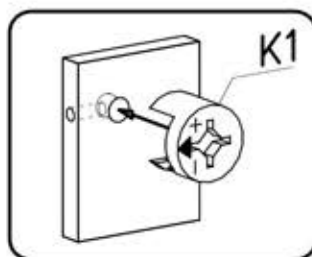
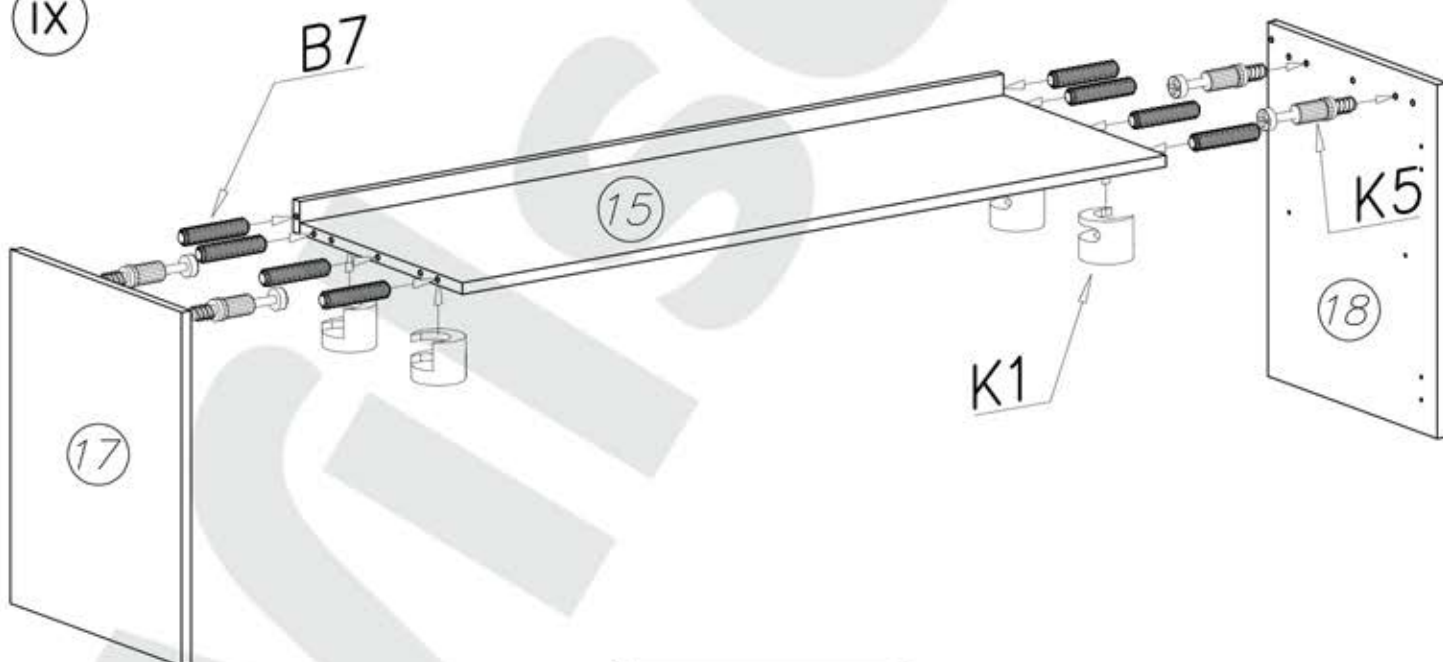




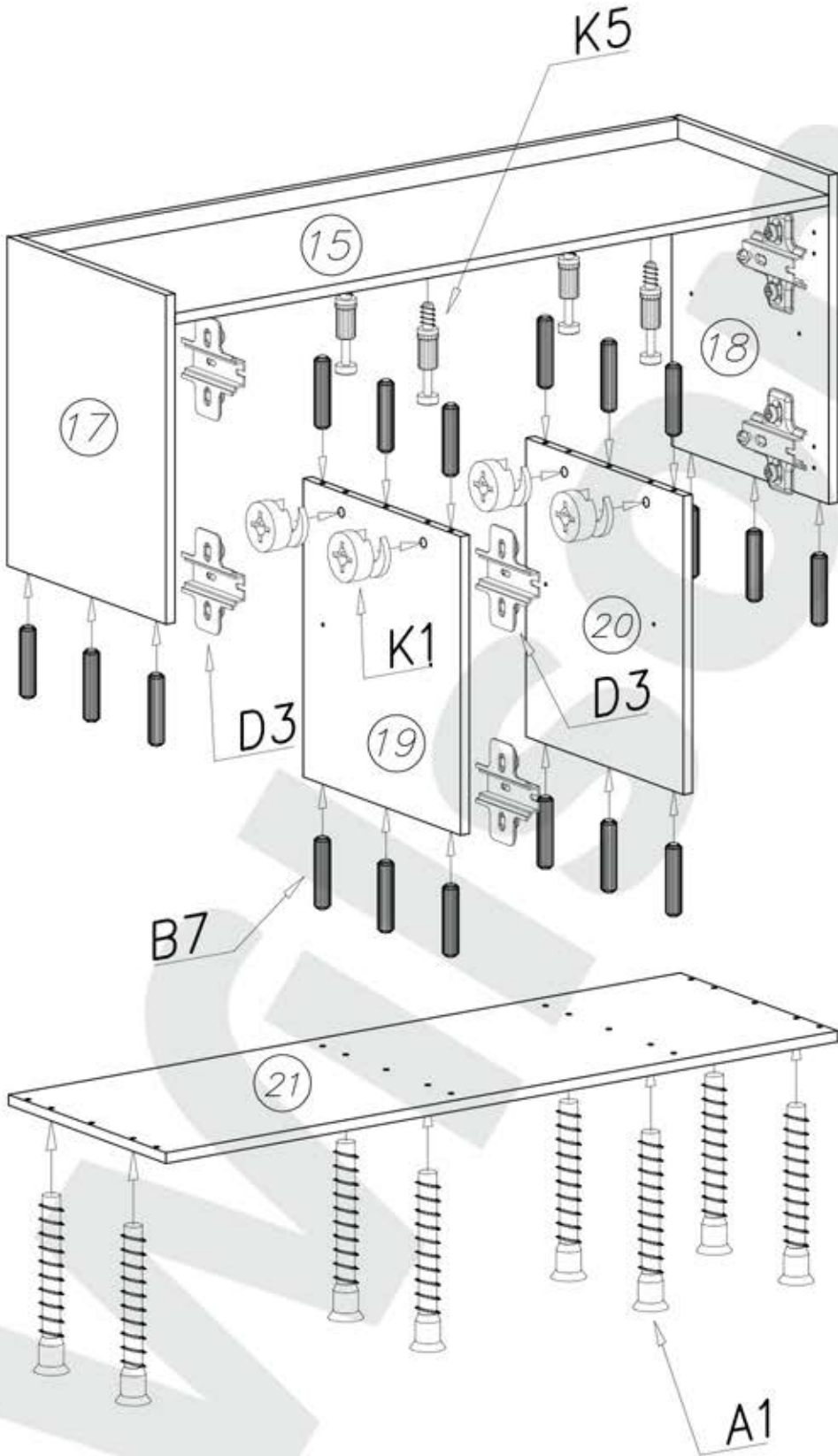
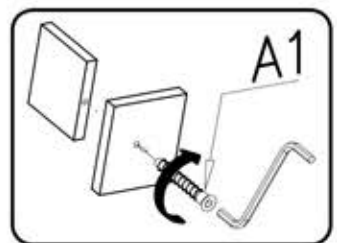
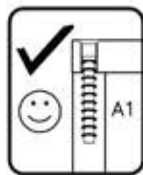
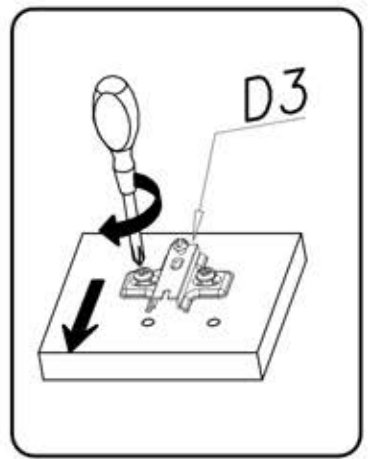
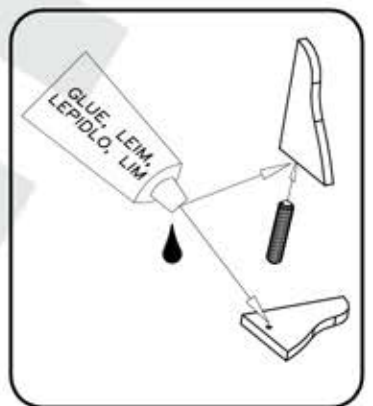
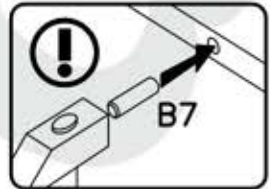
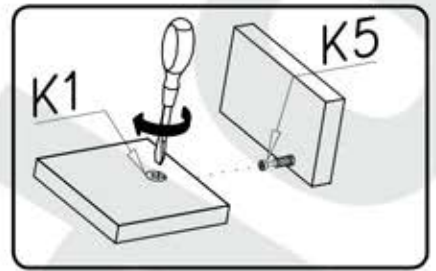
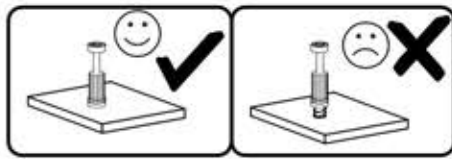
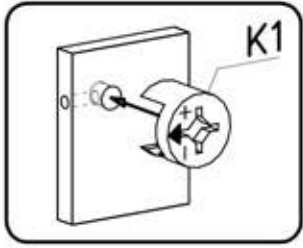
VIII



IX

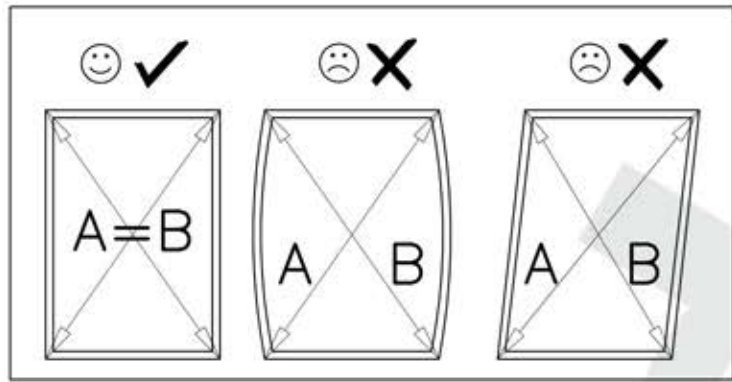


(X)

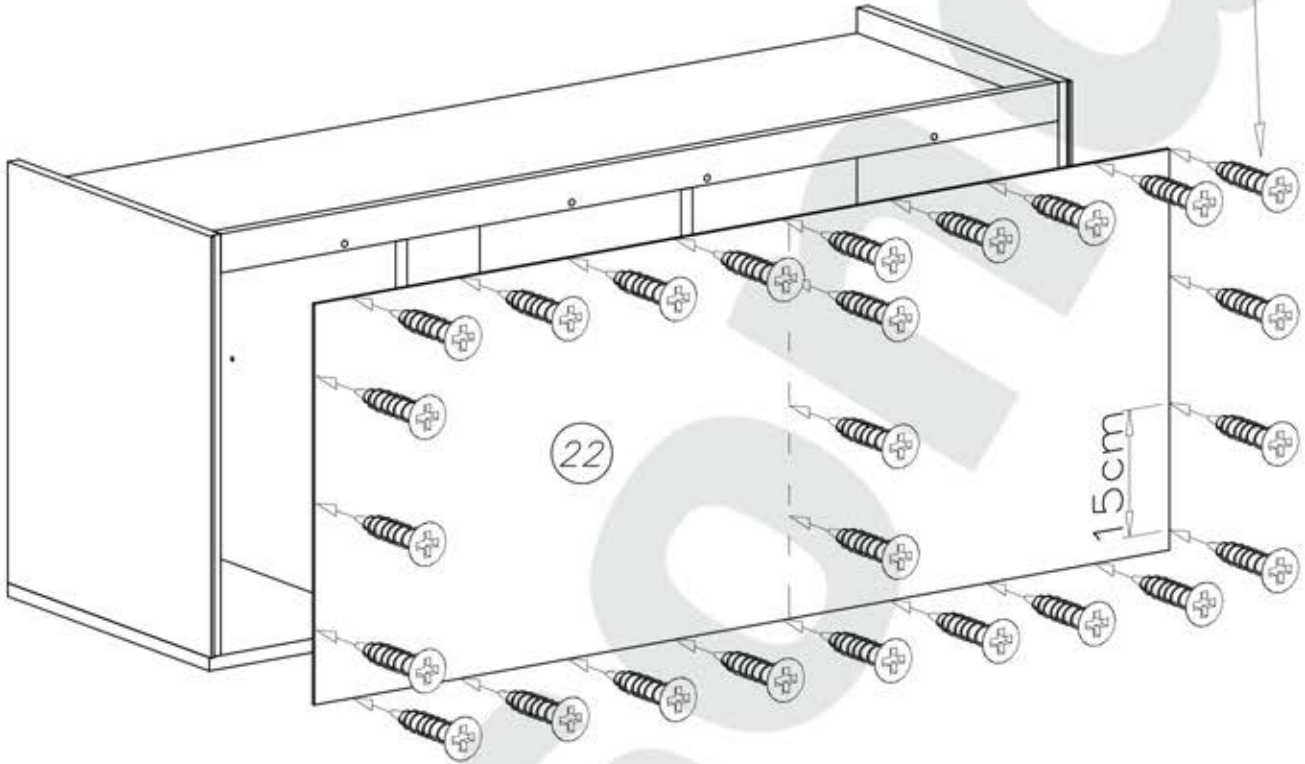




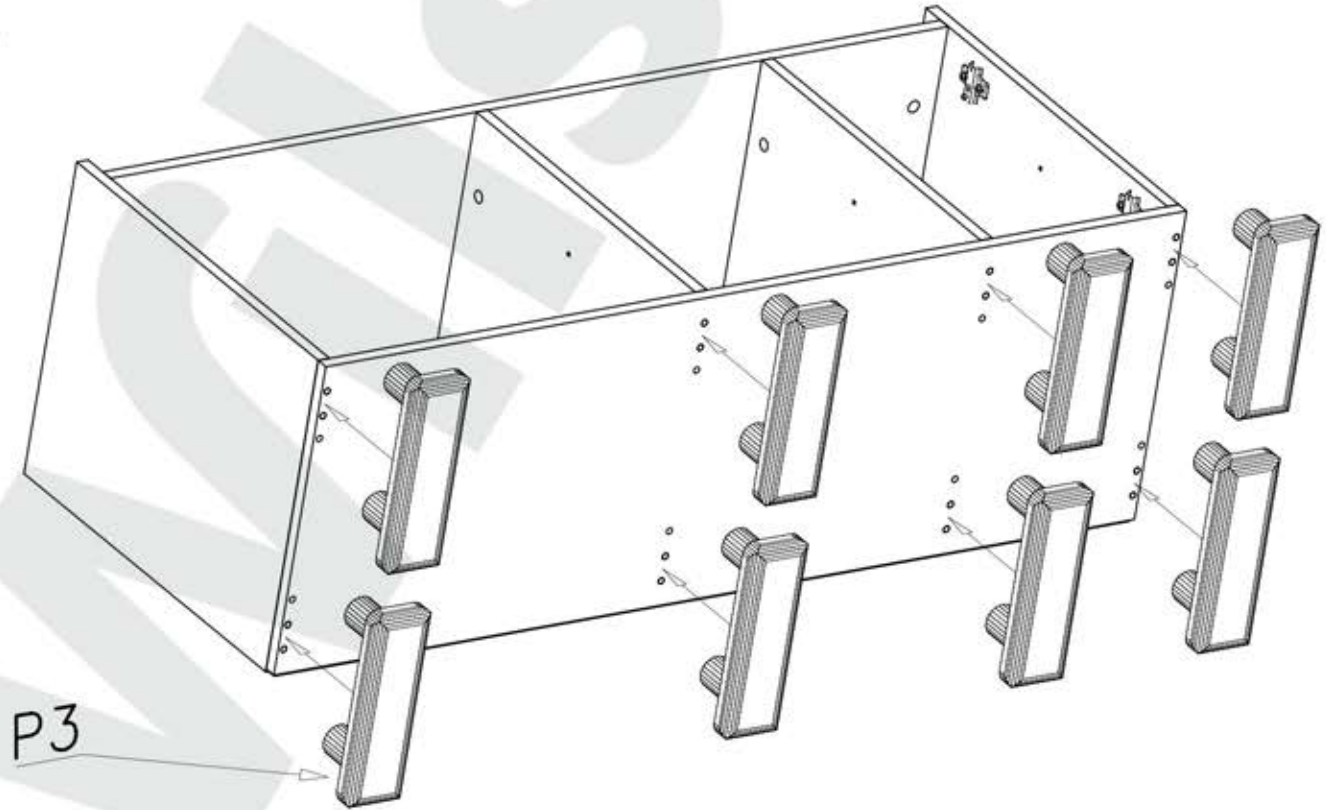
(XI)


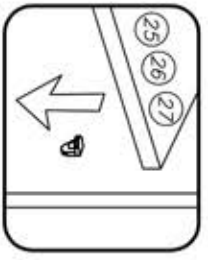


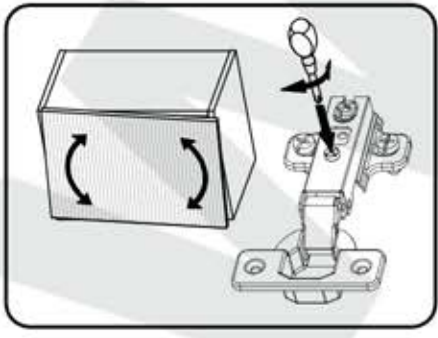
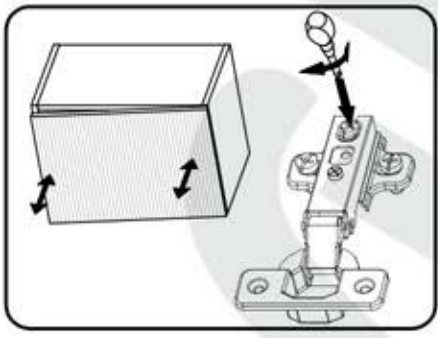
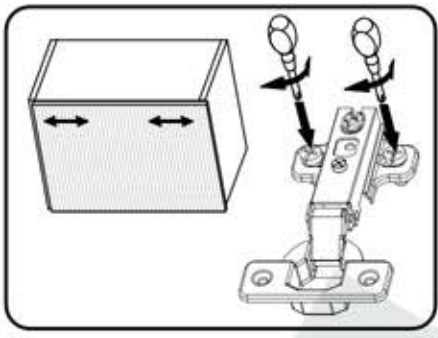
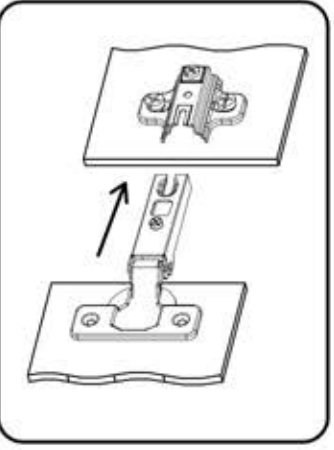
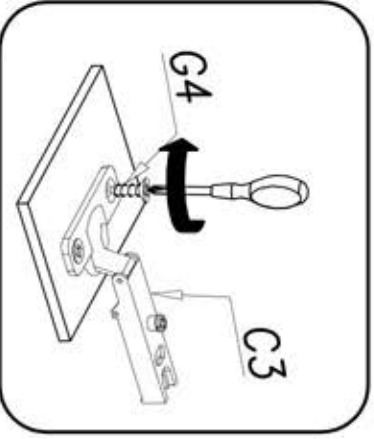
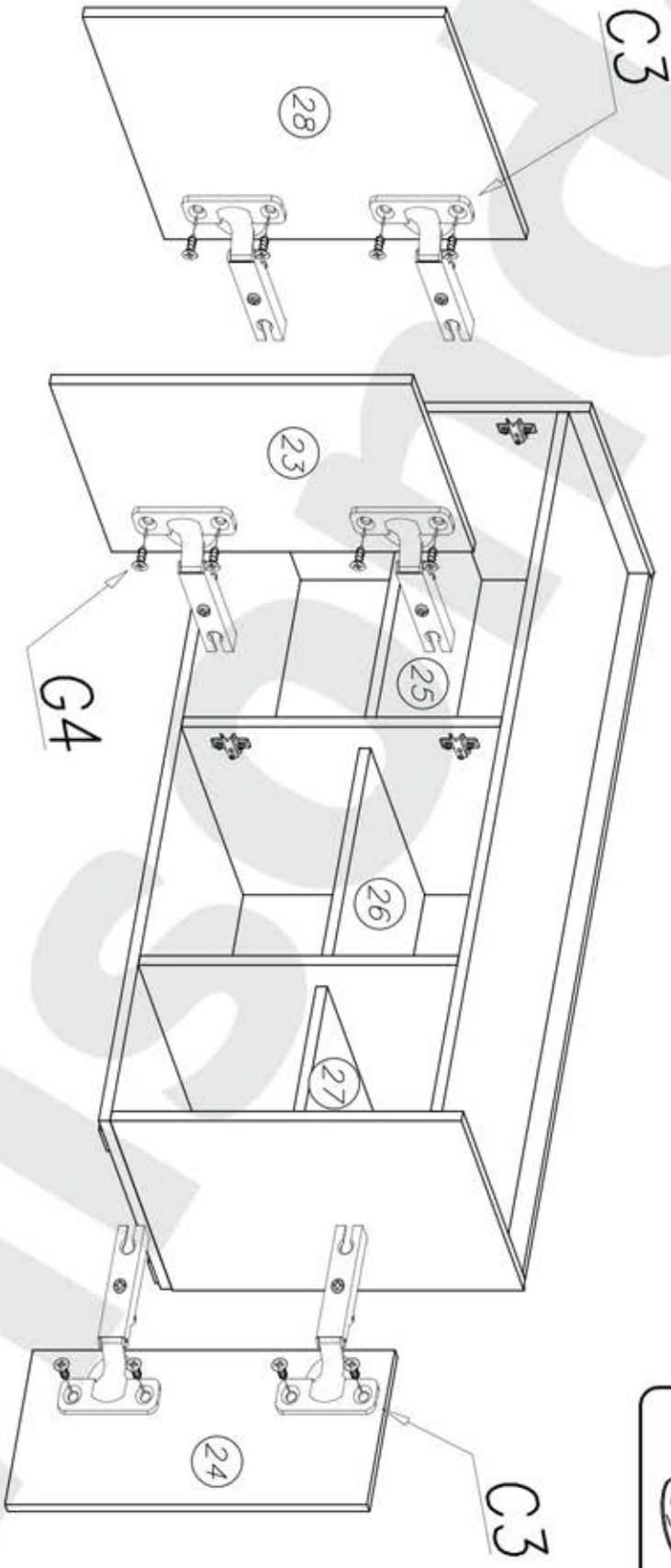
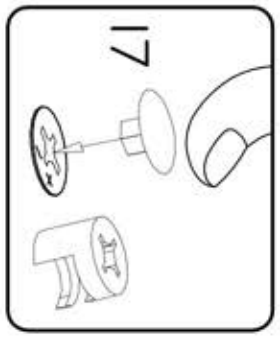
G2



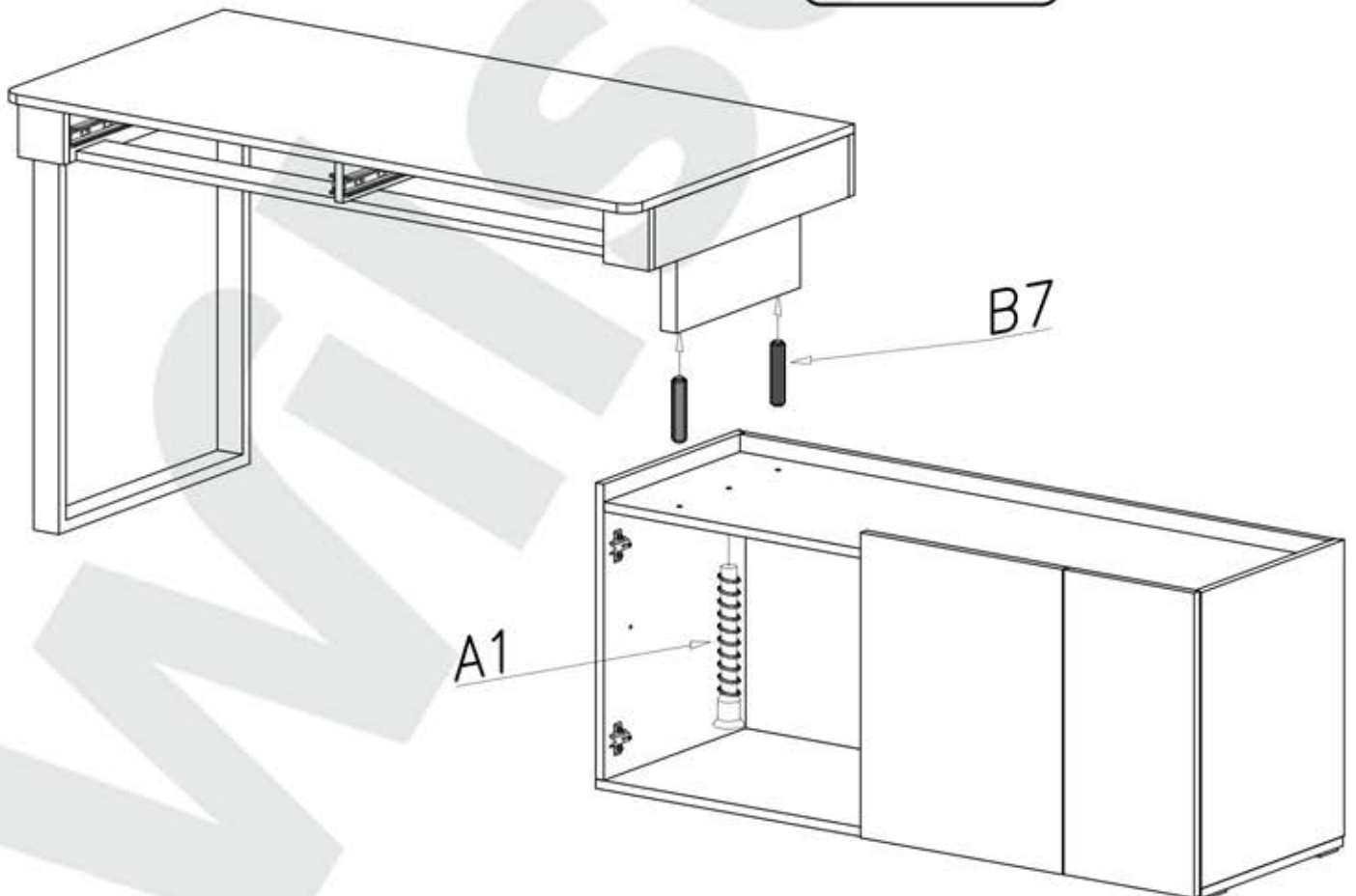
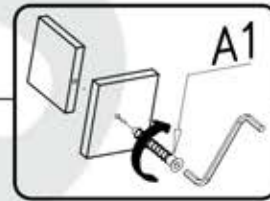
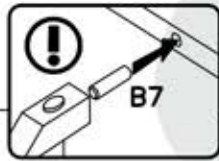
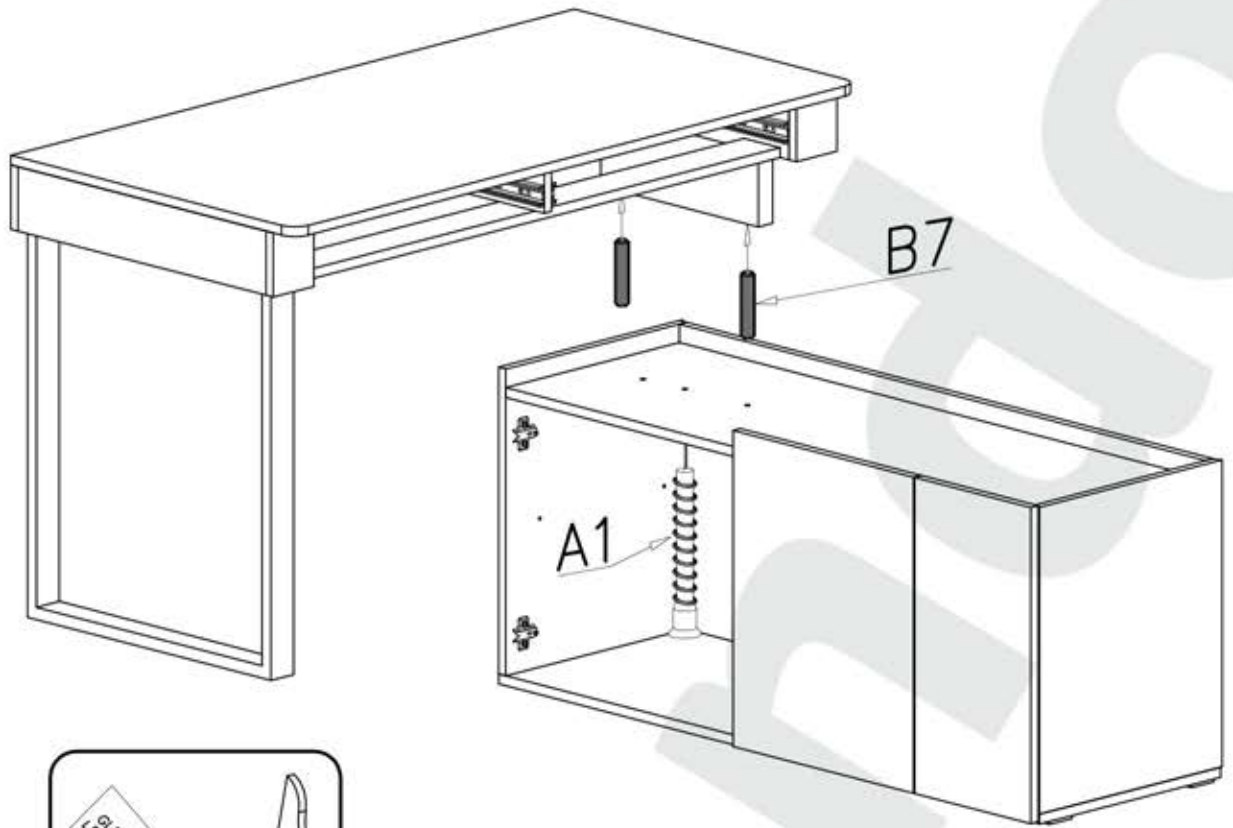
(XII)



- 1 
- 2 

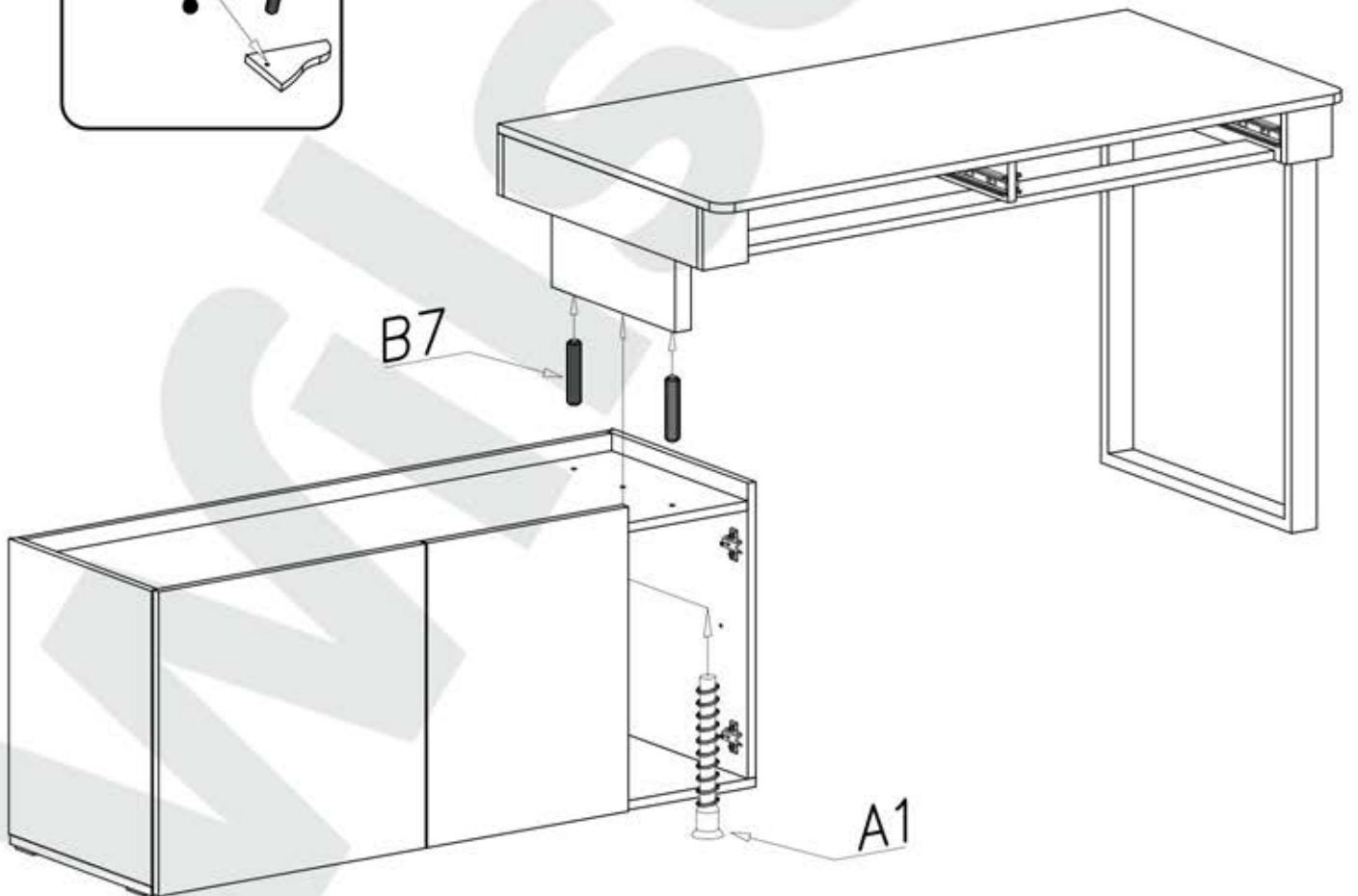
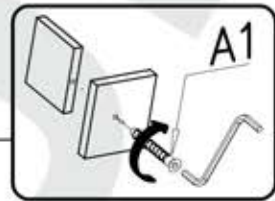
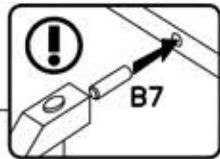
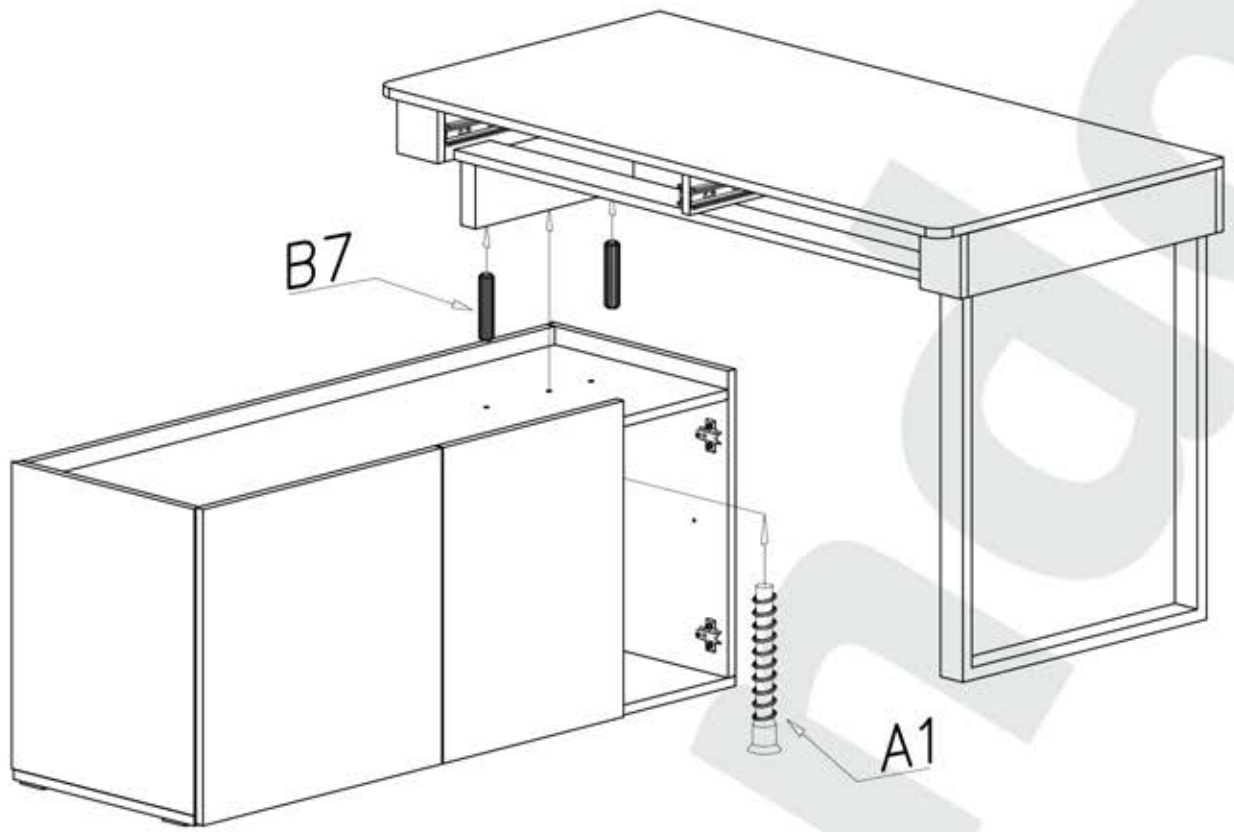


XIV

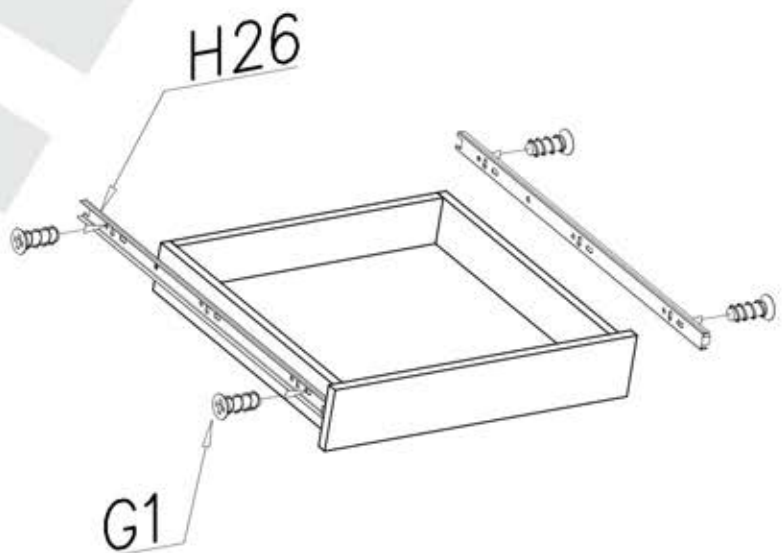
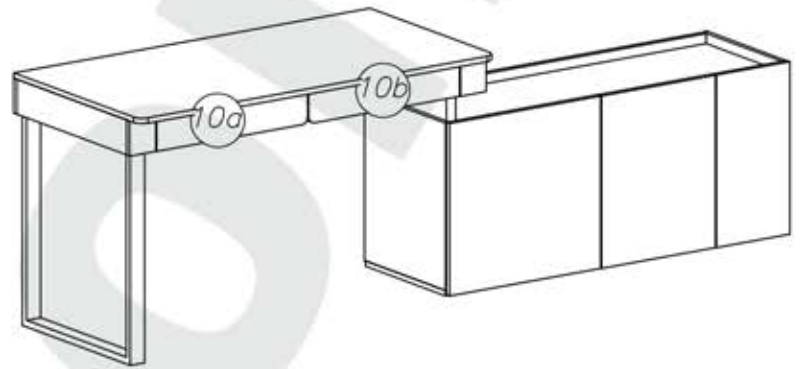
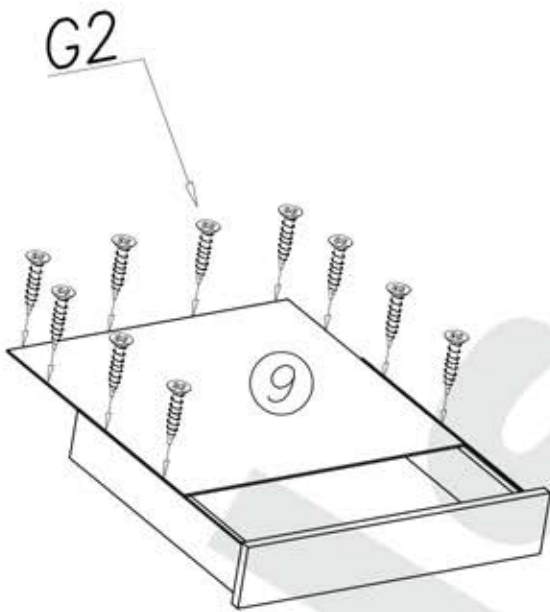
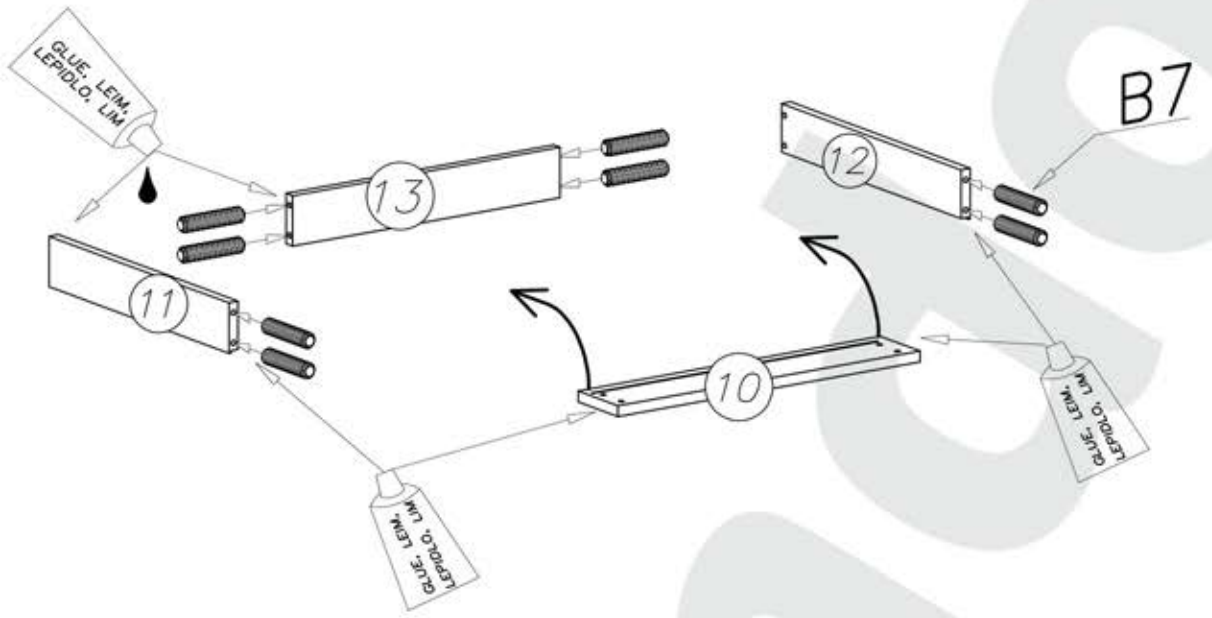




XV



XVI



XVII

