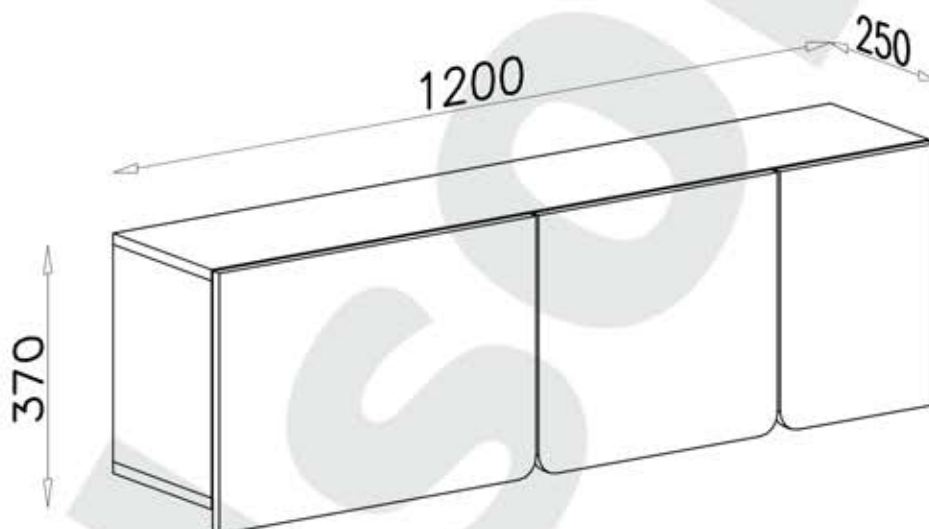
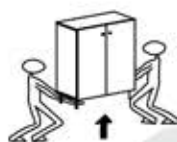
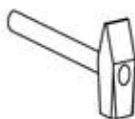
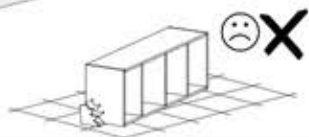
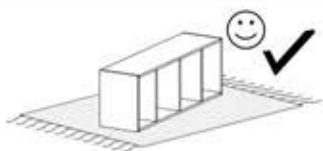

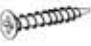
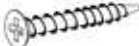
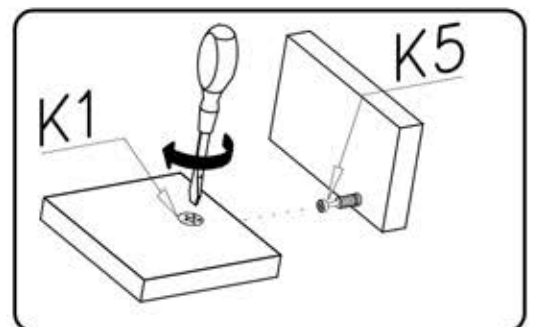
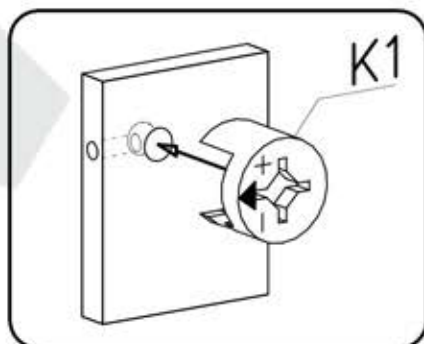
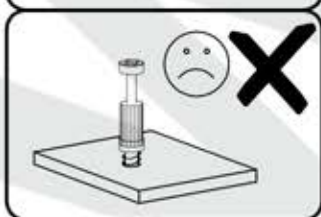
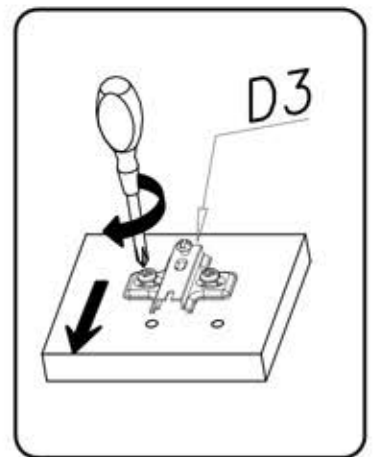
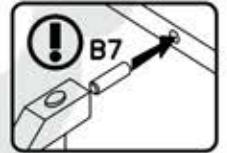
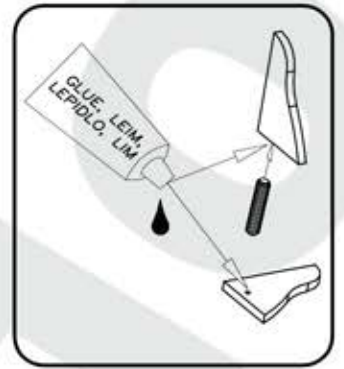
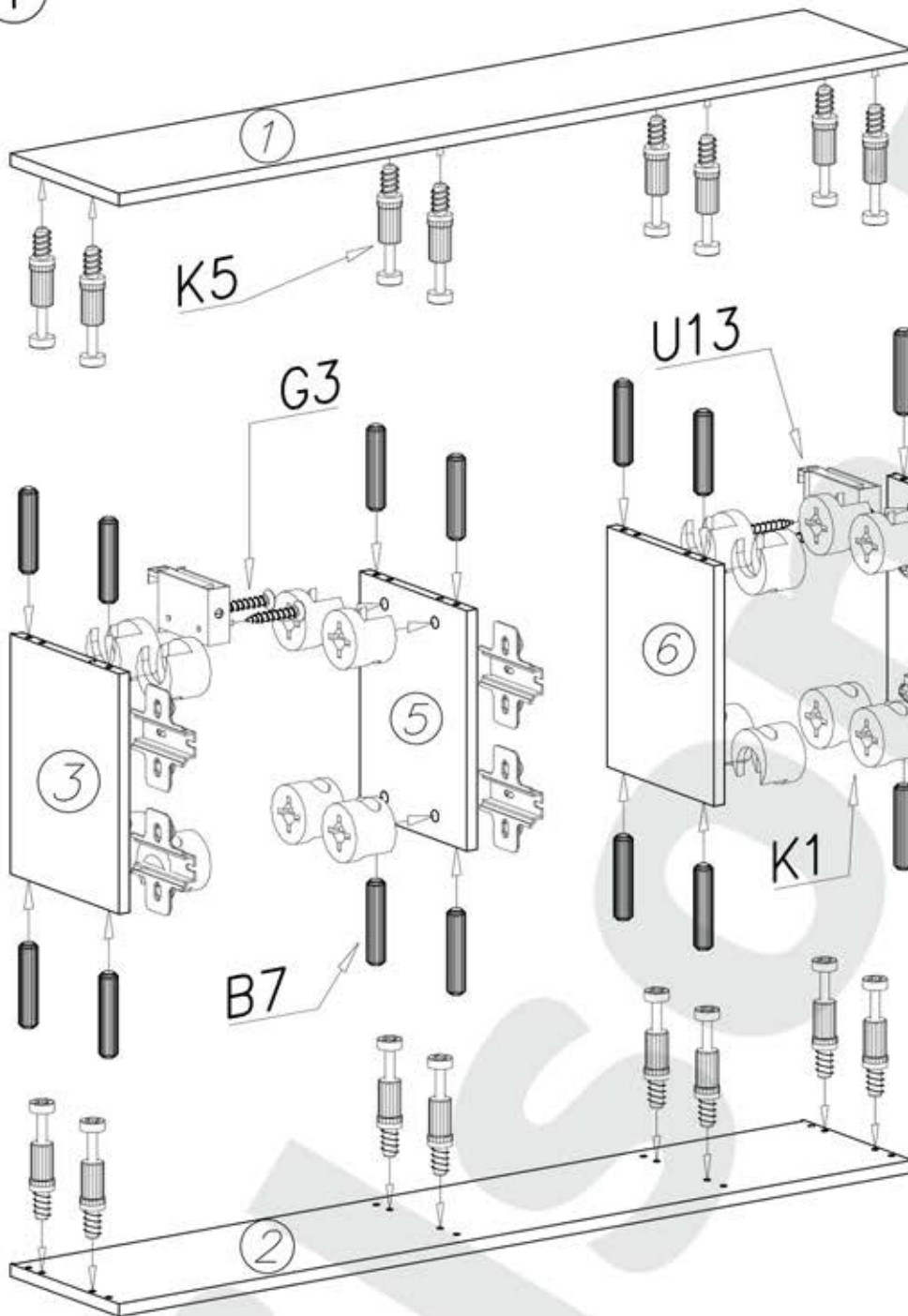


LUCA LC 12

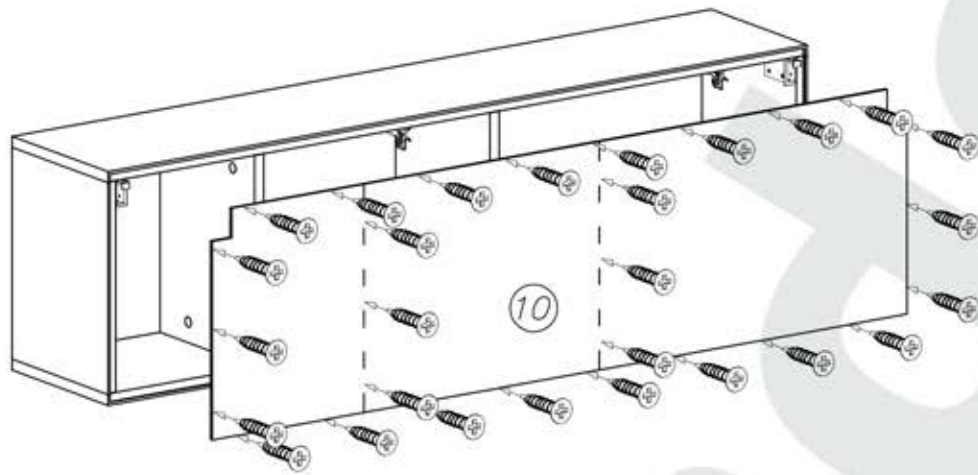


	I7  $\varnothing 18$ x16	U4  x4	U13  x2	U14  x2
K5  x16	G4  4x16 x12	G2  3x20 x30	G3  4x30 x4	D3  PZ35PR x6
K1  $\varnothing 15 \times 12$ x16	B7  $\varnothing 8 \times 30$ x16	W2  x1	W1  GLUE, LEIM, LEPIDLO, LIM x1	C3  Z35PR x6

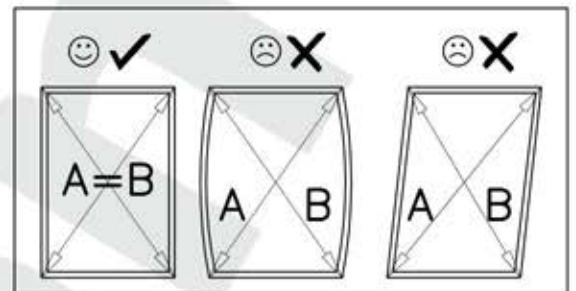
I



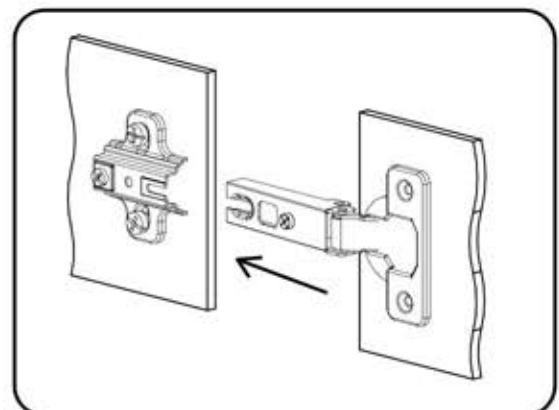
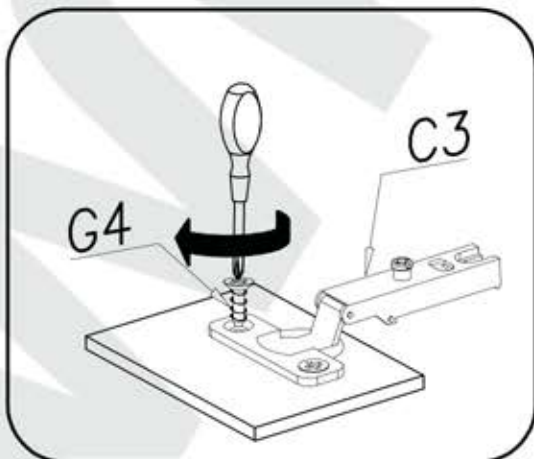
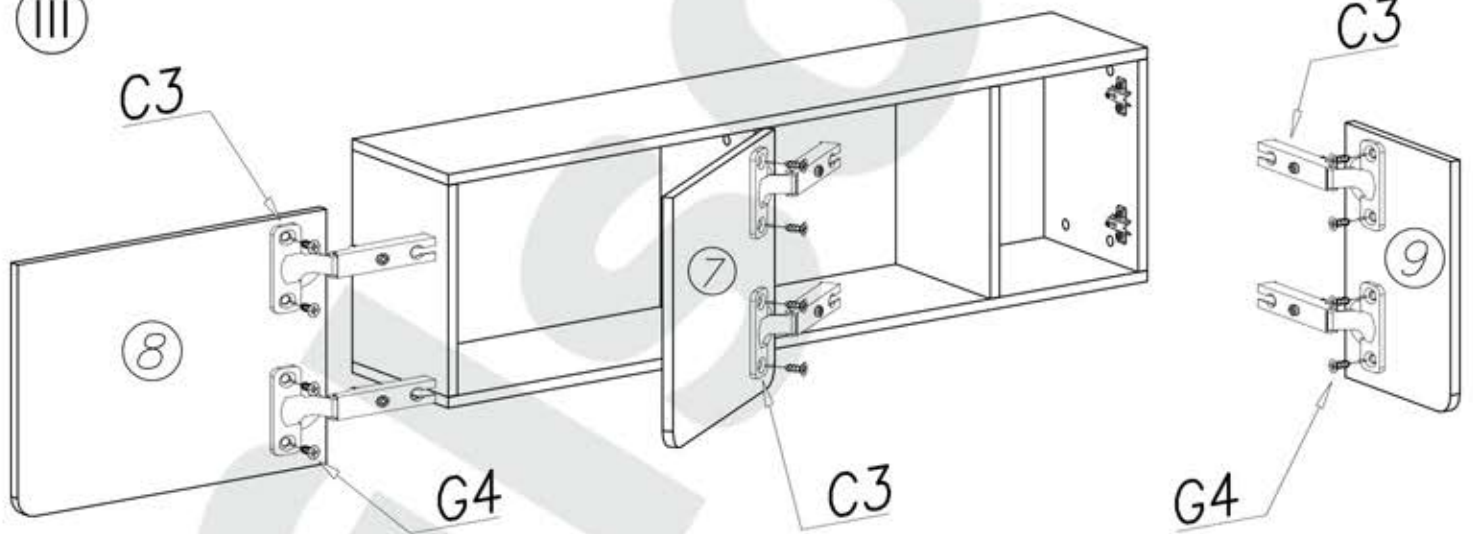
II

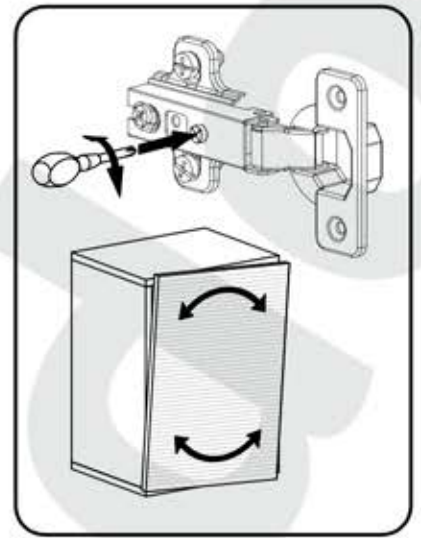
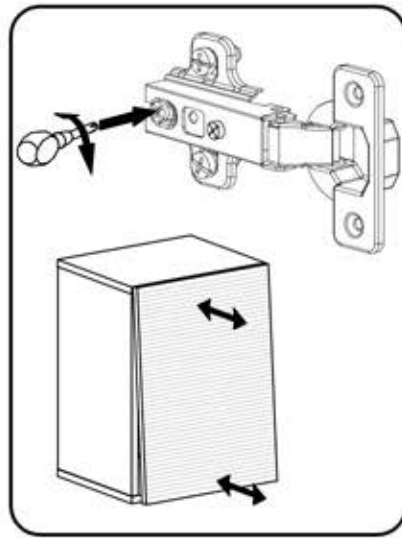
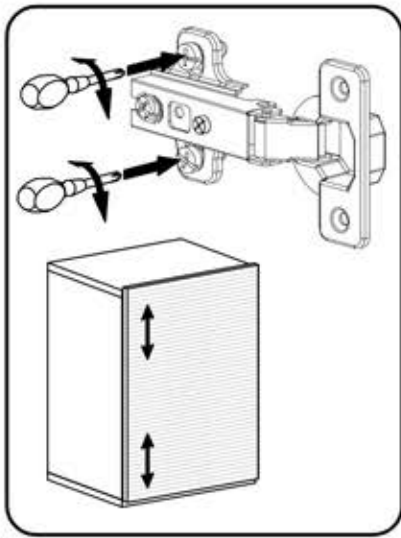


G2



III

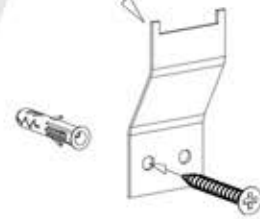




IV



U13



U4

