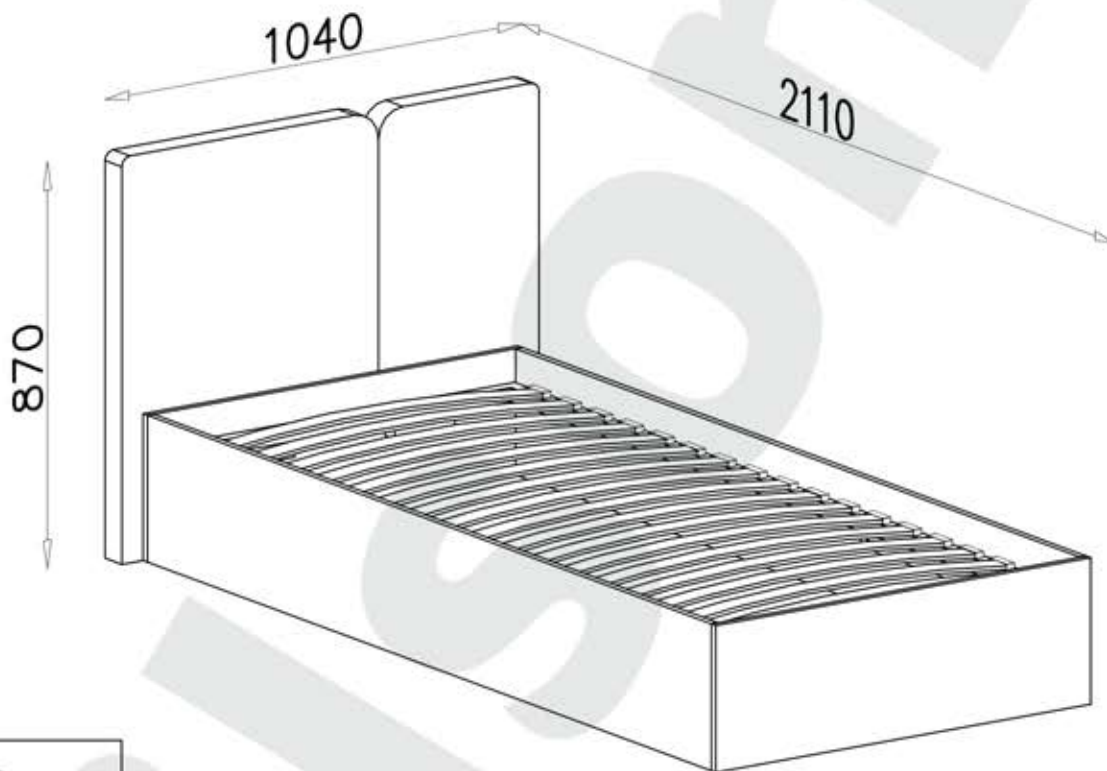
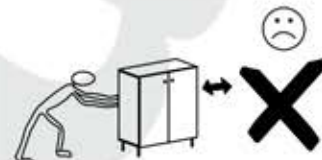
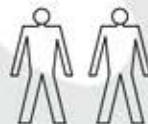
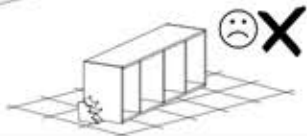
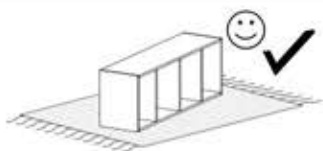


# LUCA LC 13



I7  
ø18 x4



K5  
x12



K1  
ø15x12 x12



N25  
x8



7L  
x1



7P  
x1



W3  
6mm x1



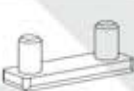
W1  
x1



N34  
M6x45 x9



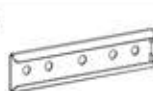
P3  
x13



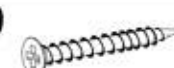
G4  
4x16 x12



M5  
x4



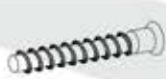
G9  
3,5x25 x24



I8  
x22



A1  
ø7x50 x8



B7  
ø8x30 x12



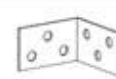
W2  
x1



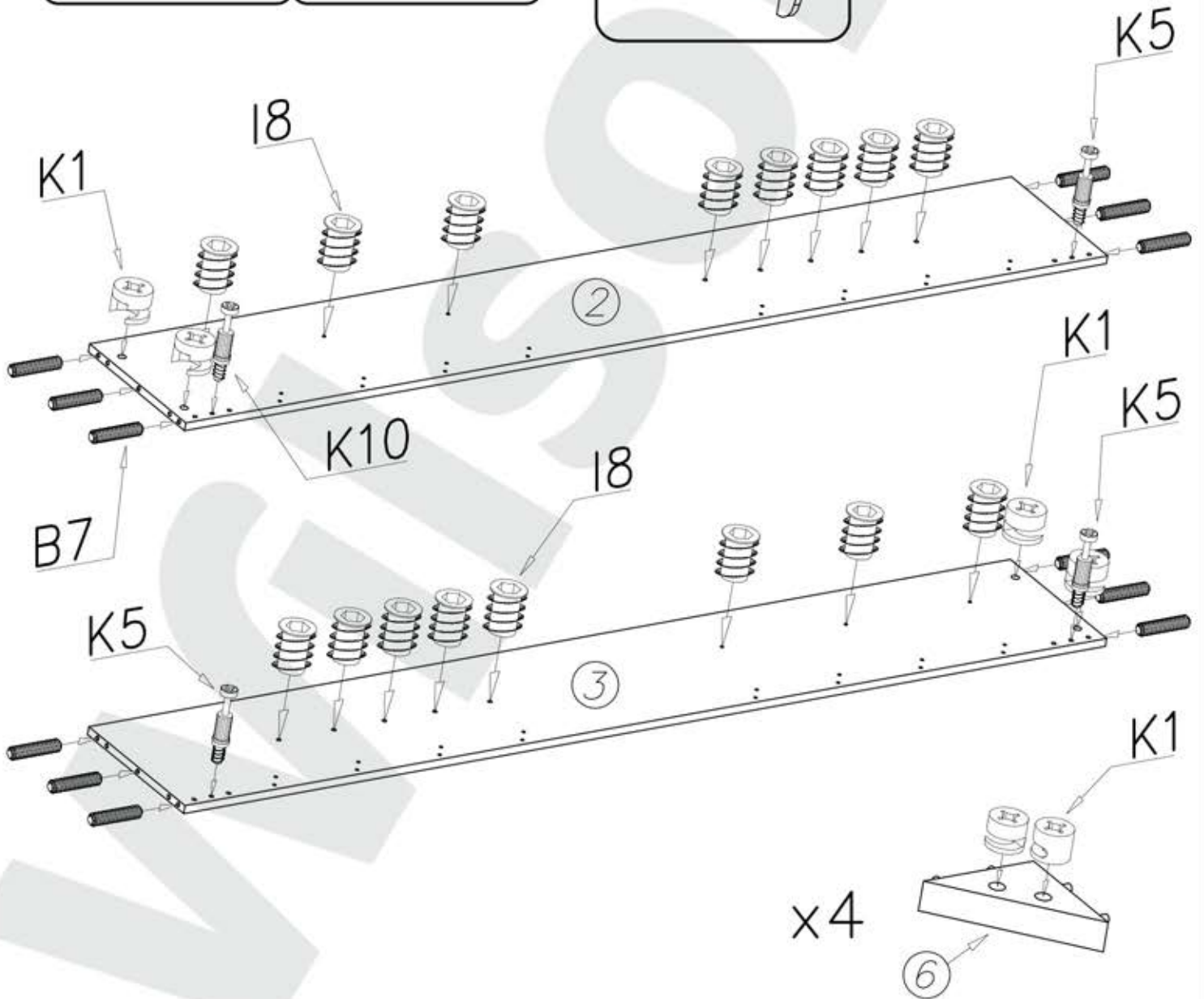
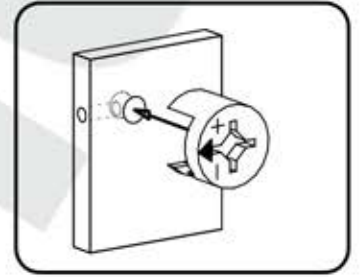
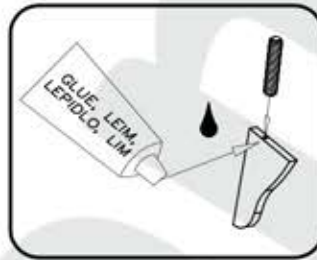
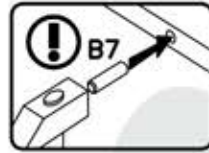
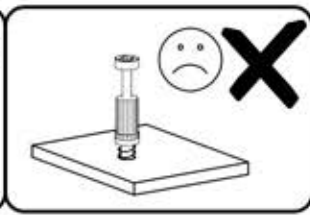
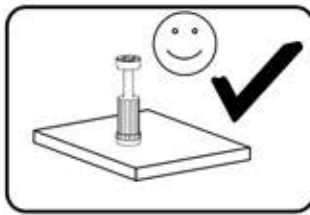
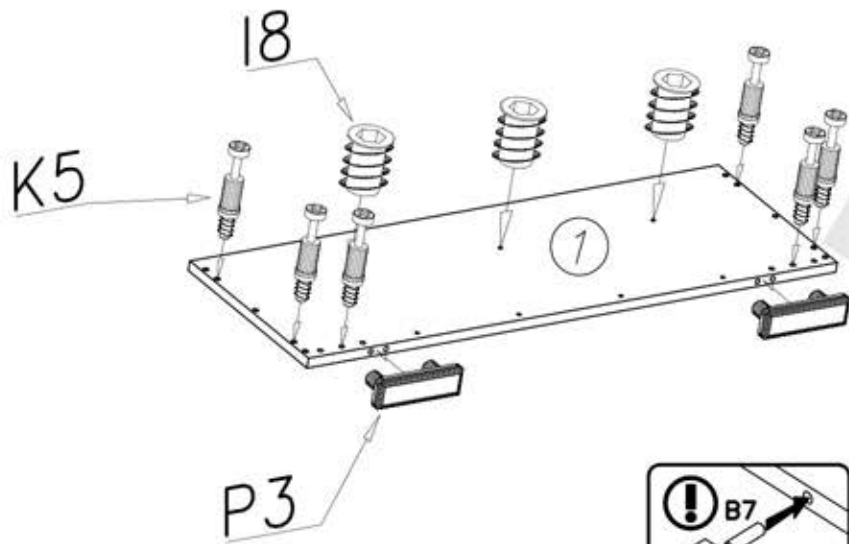
N36  
M6x15 x18



M3  
50x50x25 x2

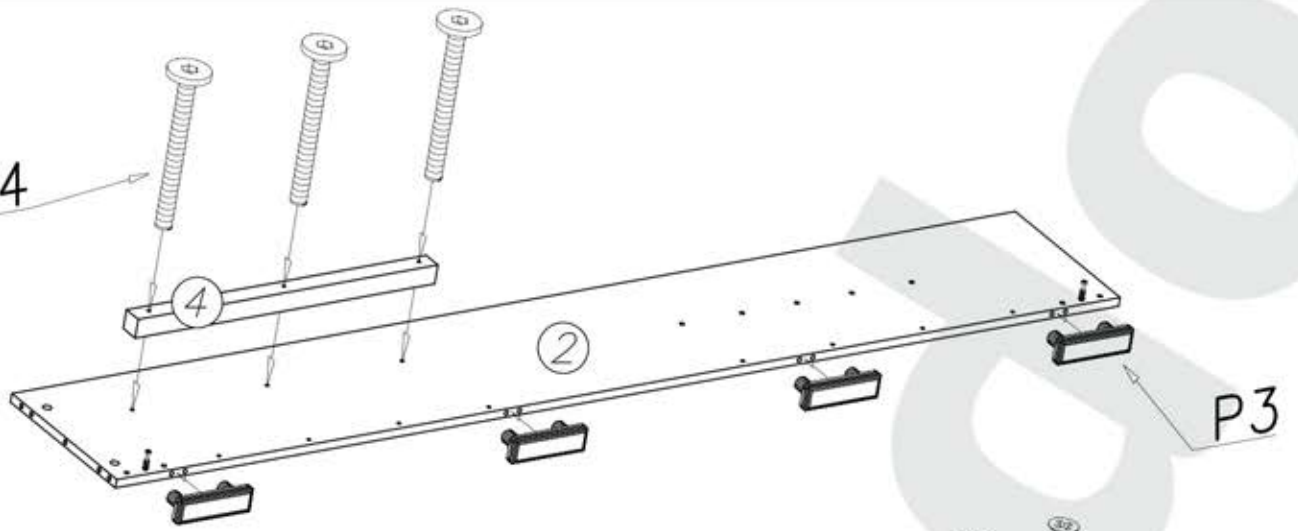


1

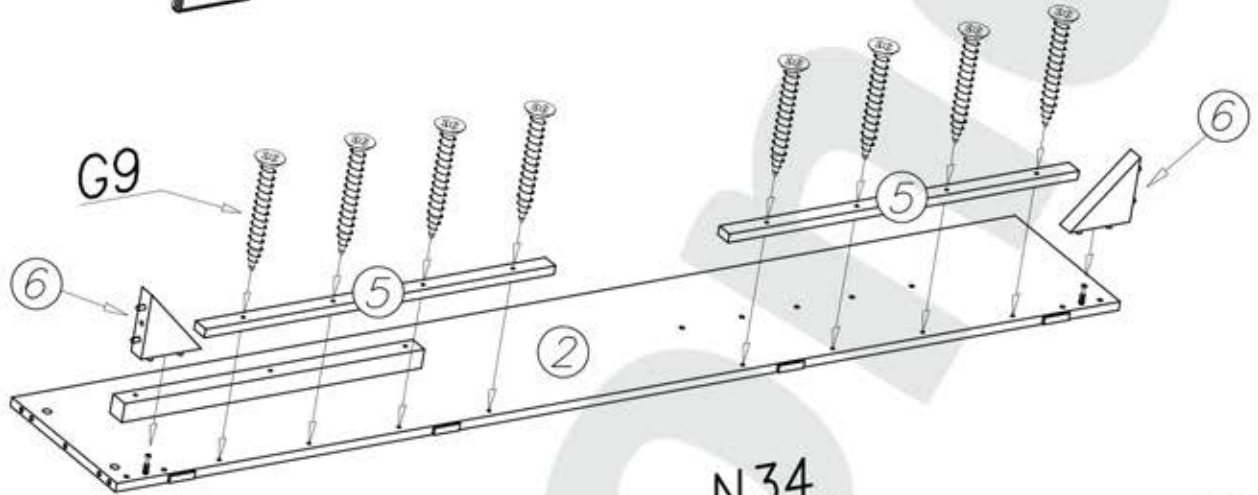


II

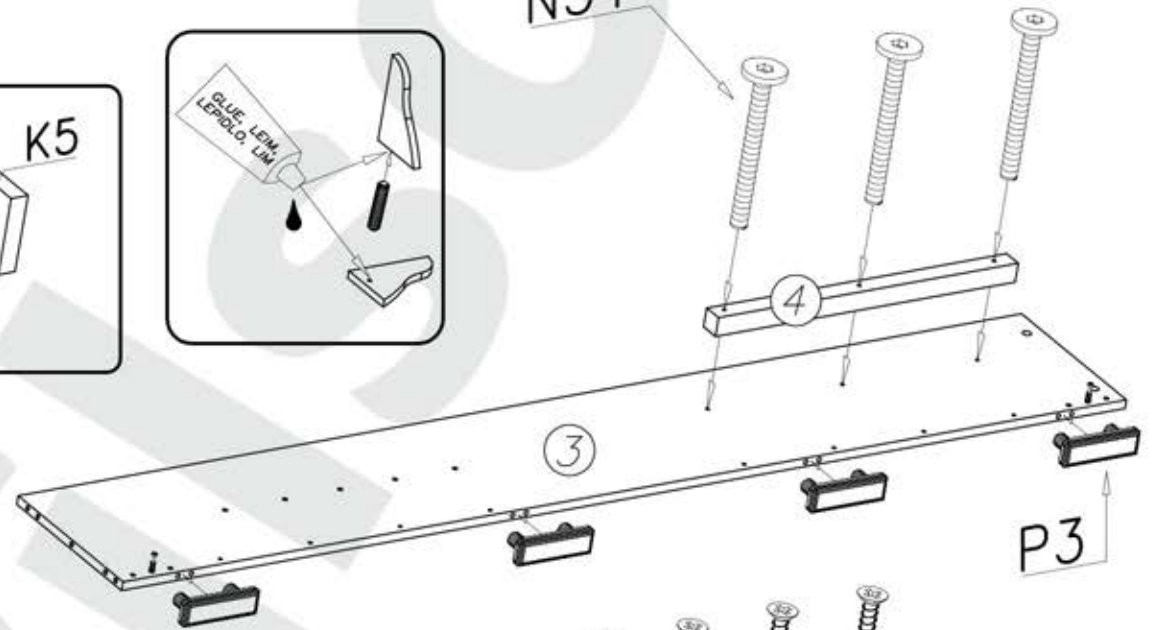
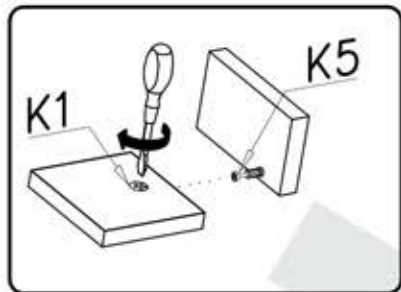
N34



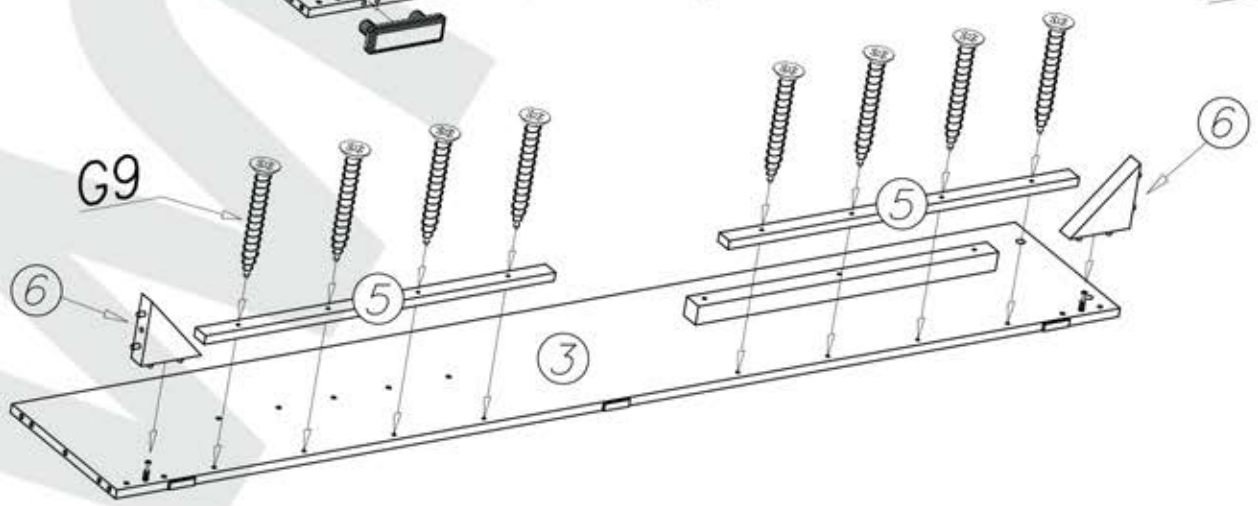
G9



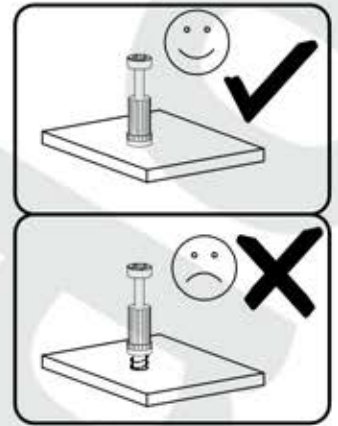
N34



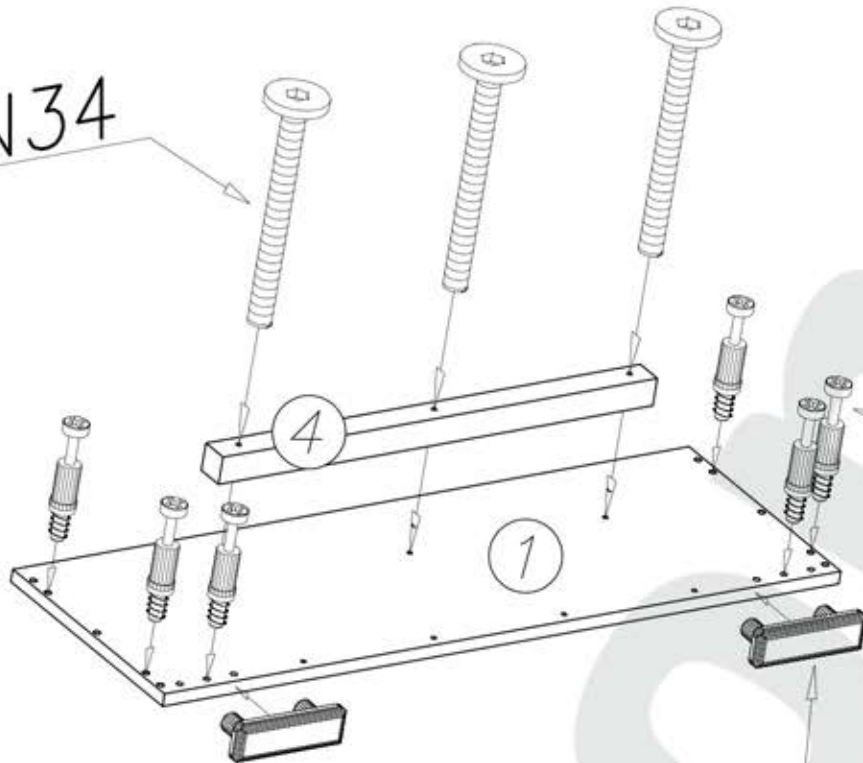
G9



III



N34

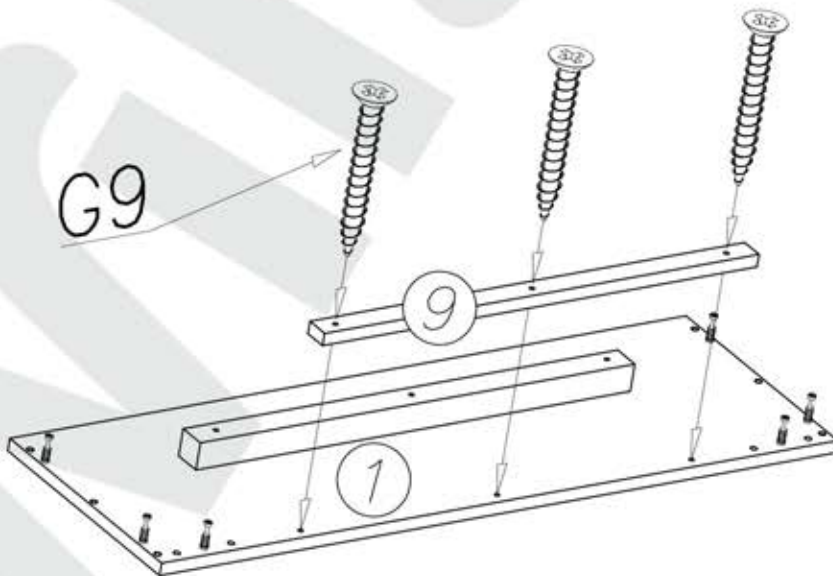


K5

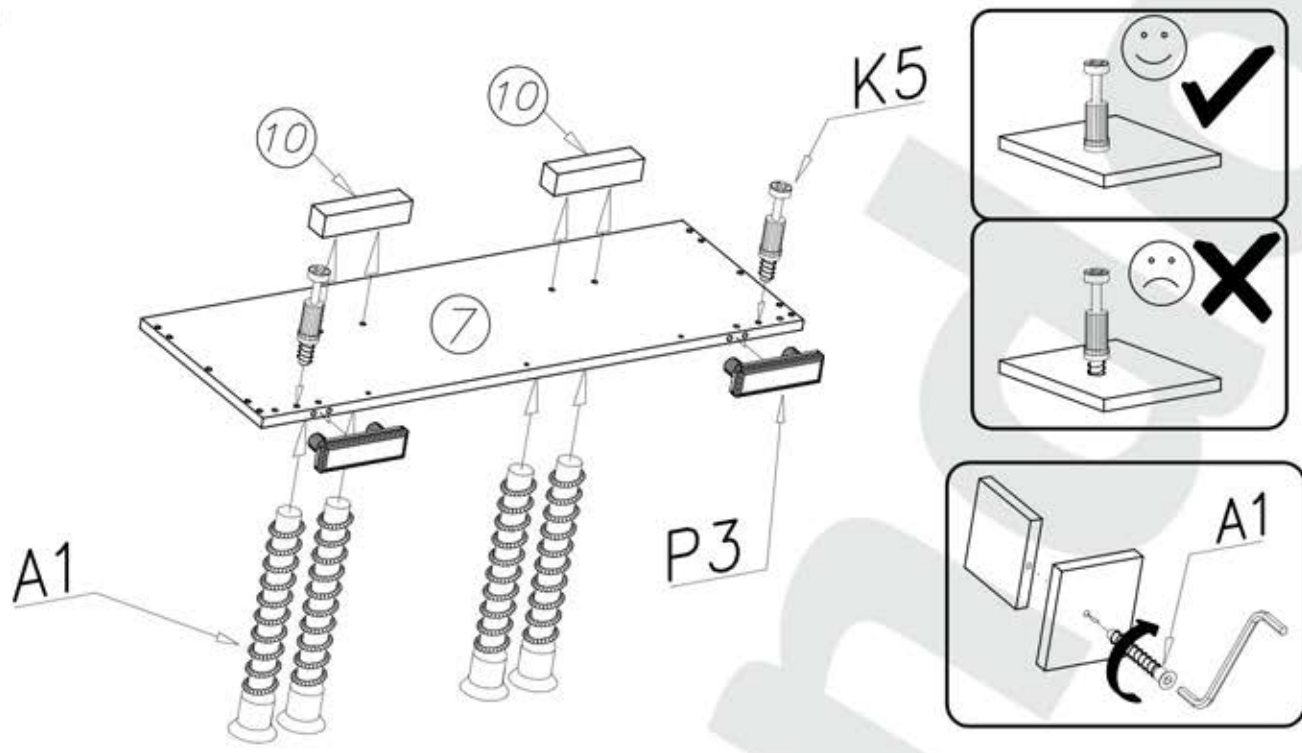
P3

IV

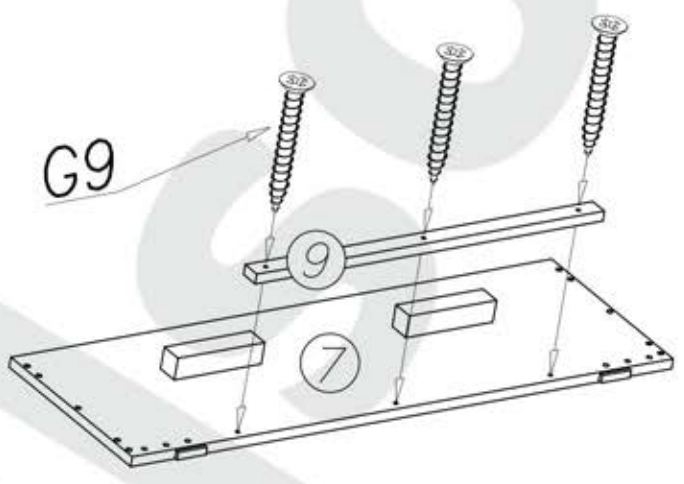
G9



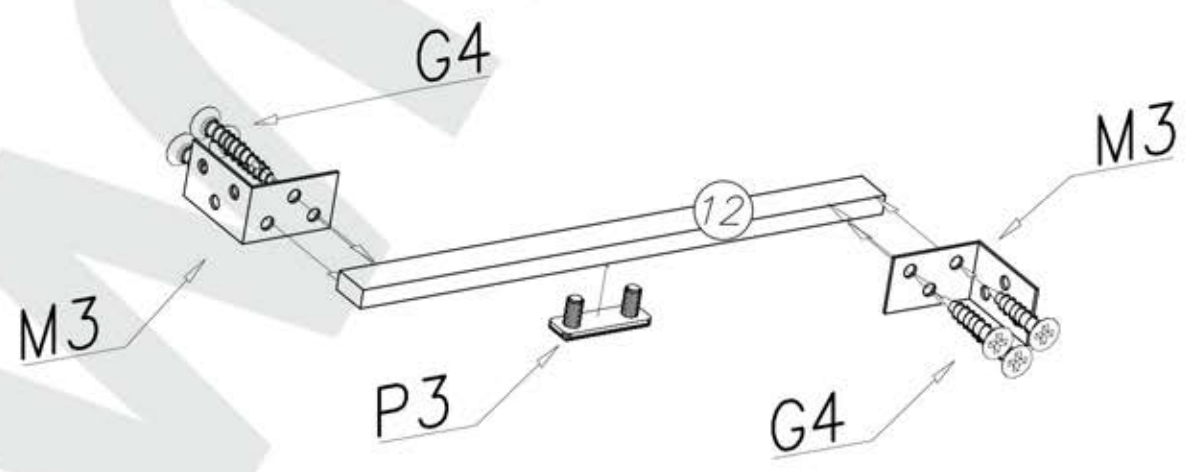
V



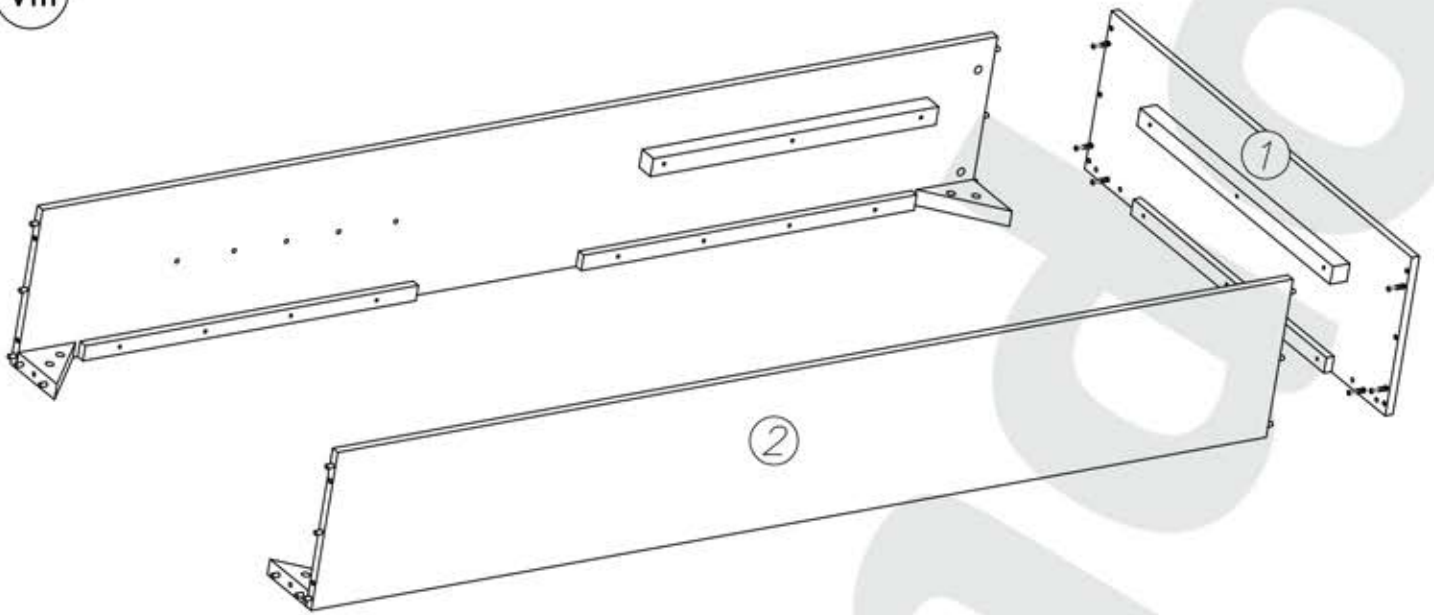
VI



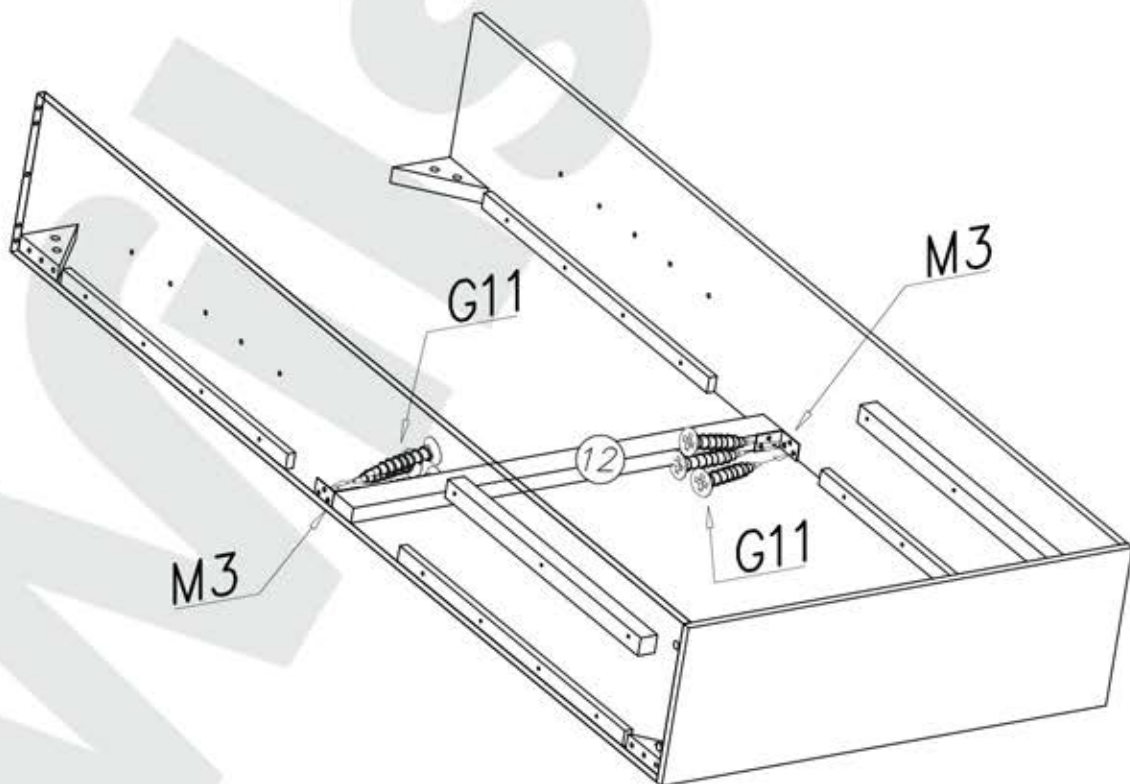
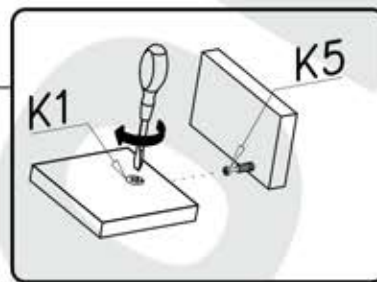
VII



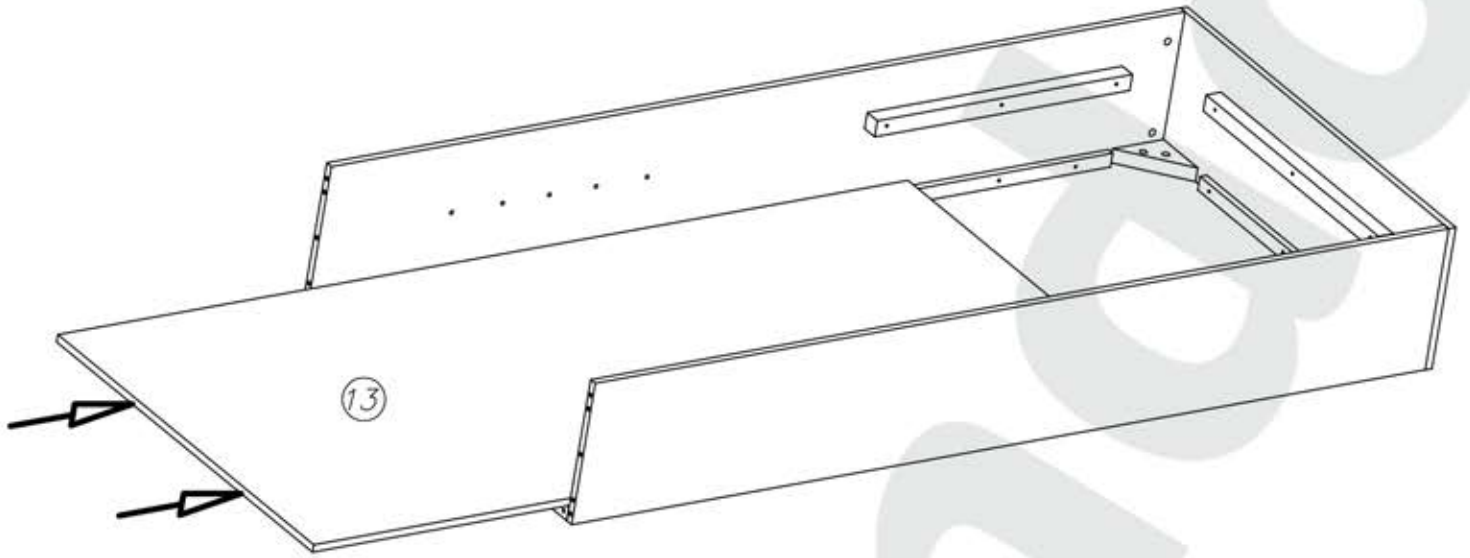
VIII



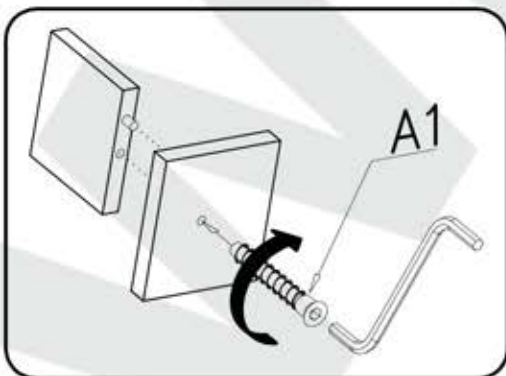
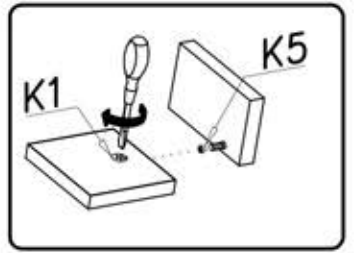
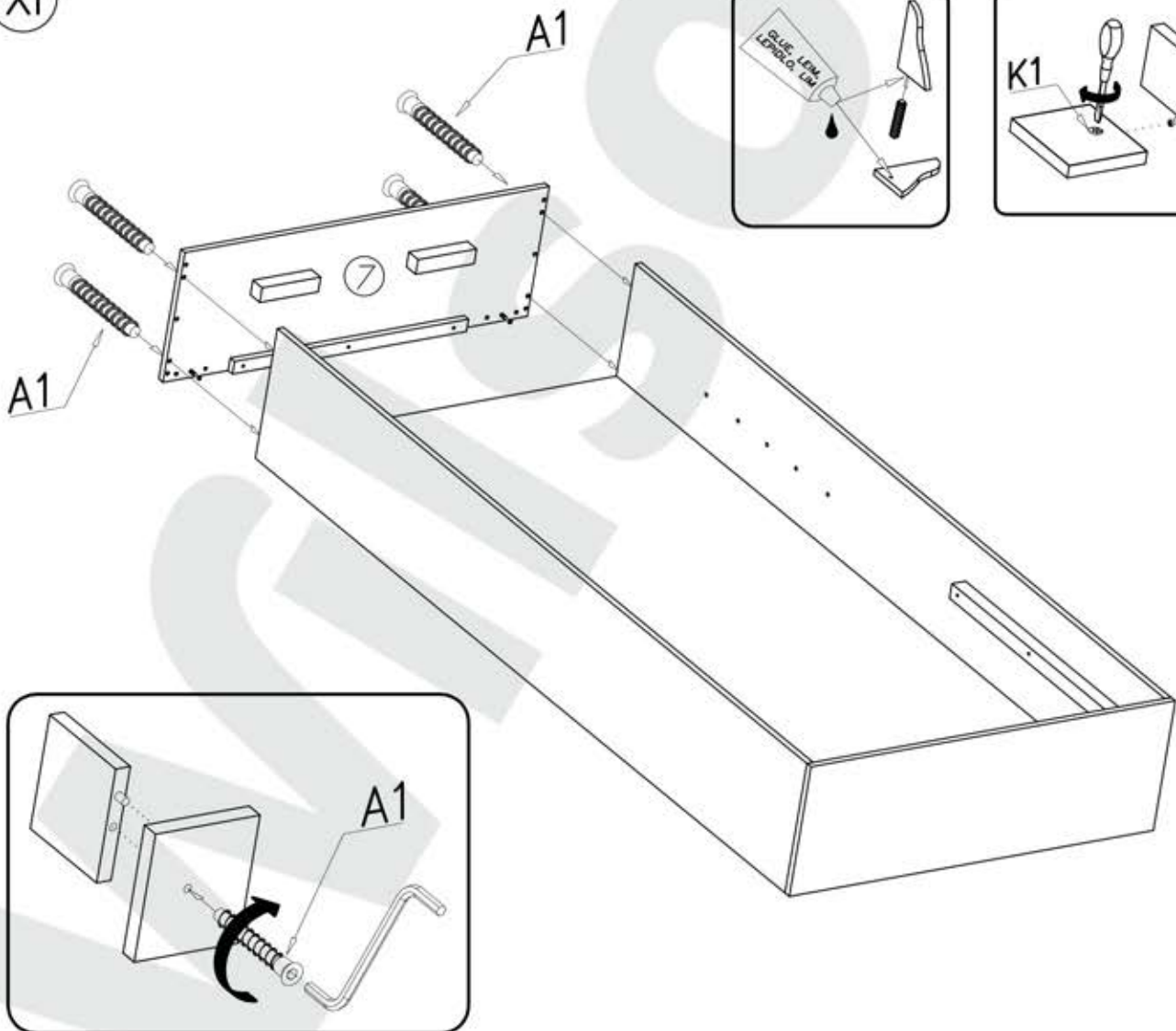
IX



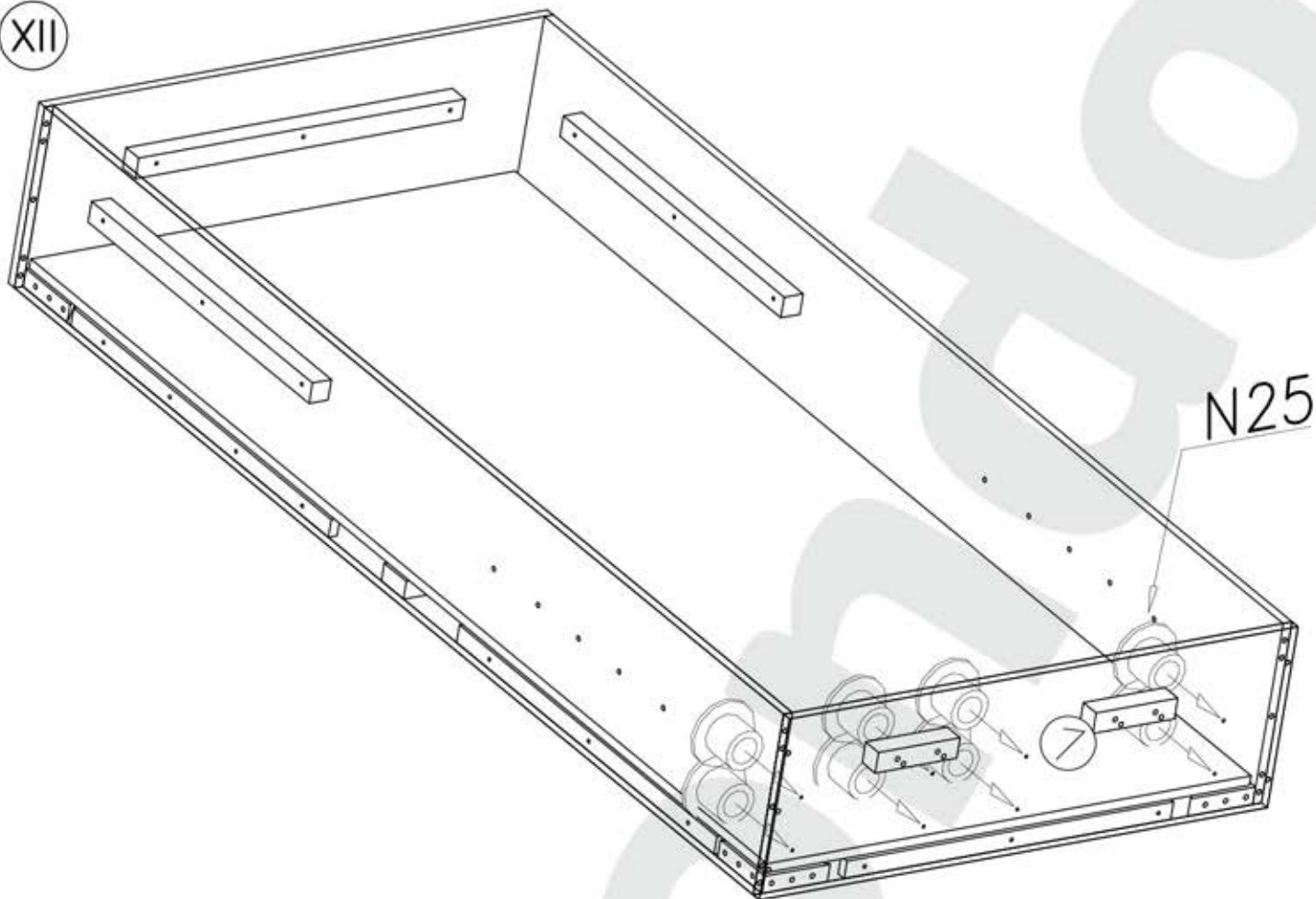
(X)



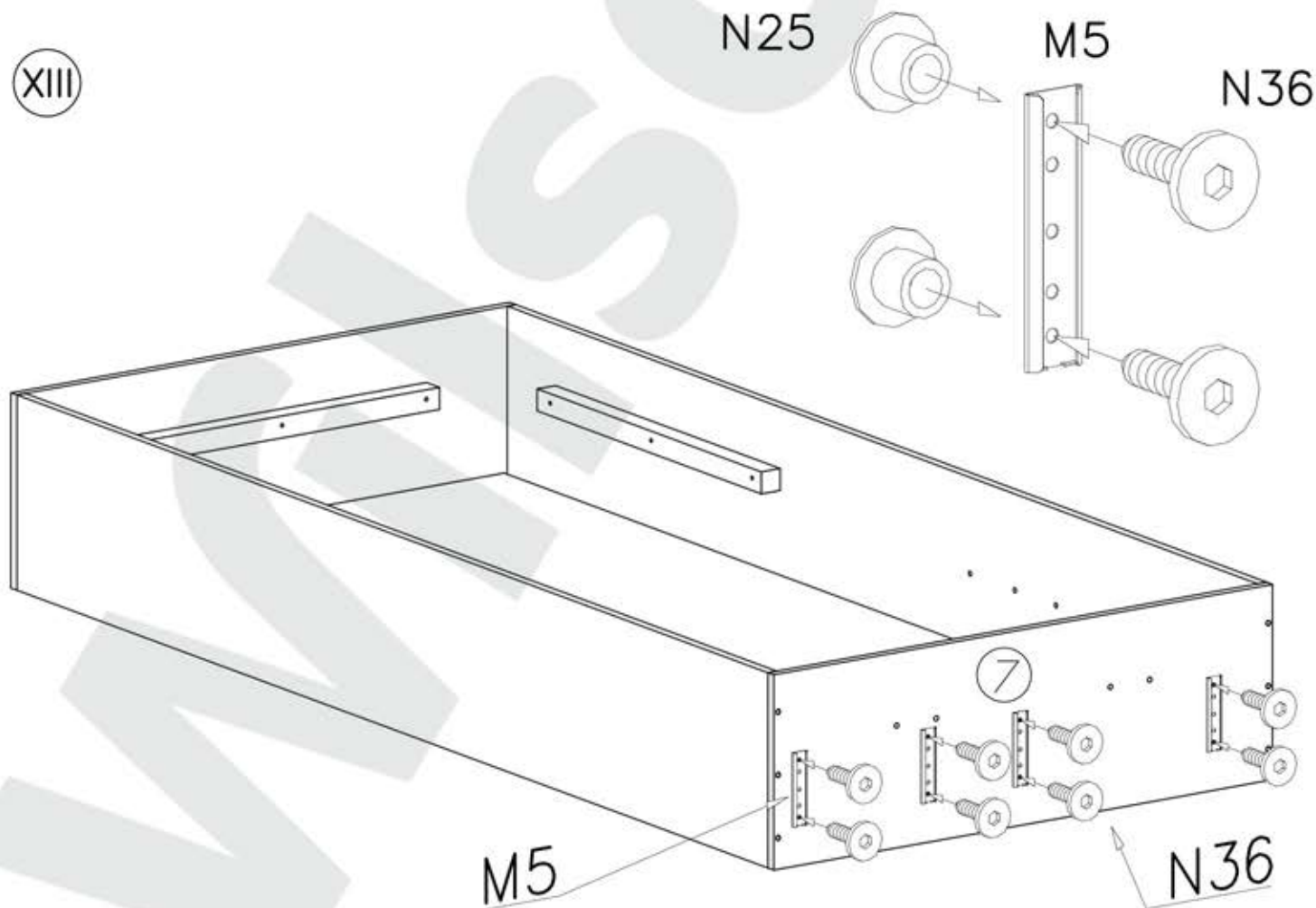
(XI)



XII



XIII





XIV

