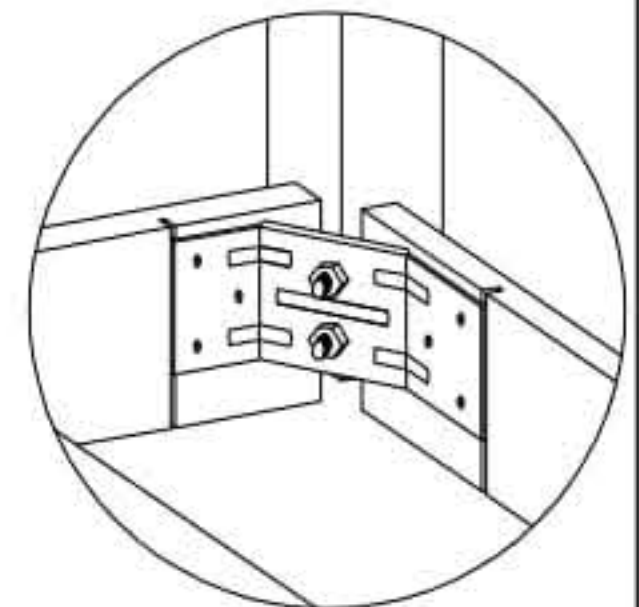
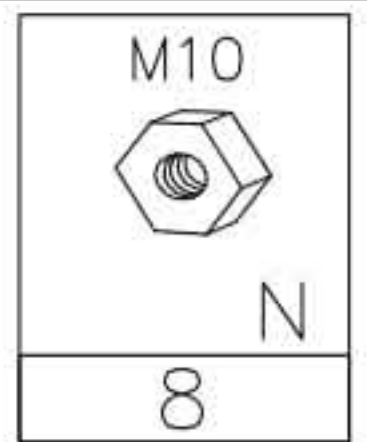
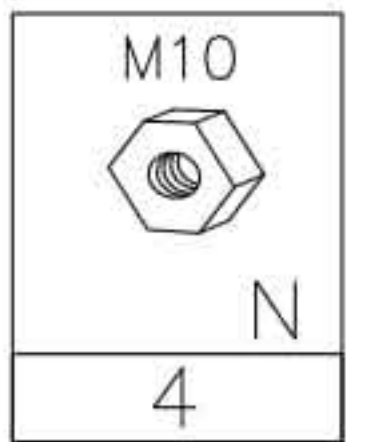
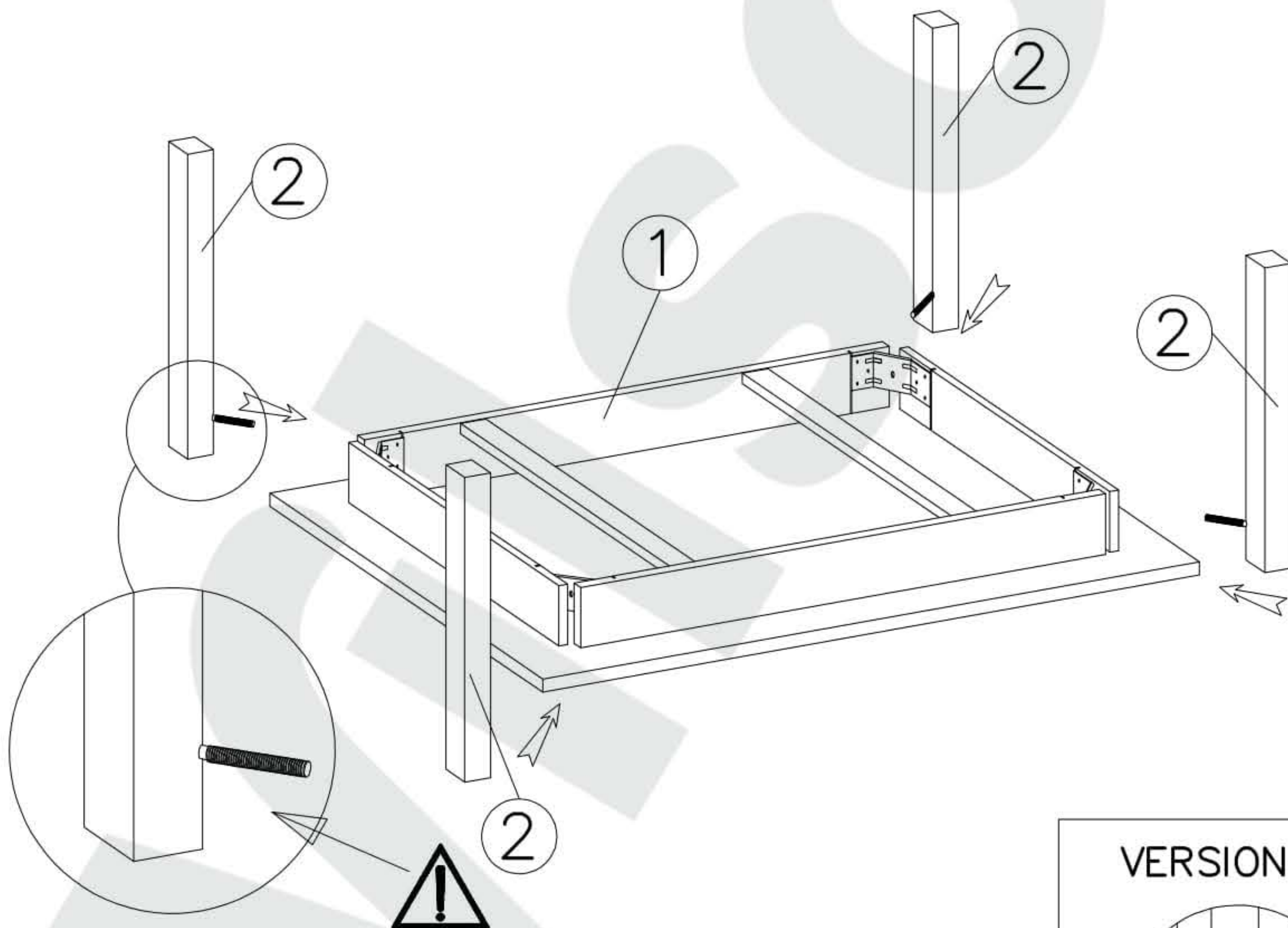
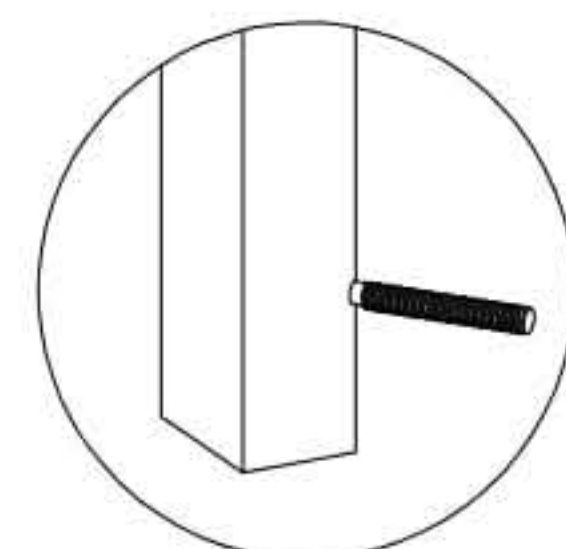


COTTON 100%

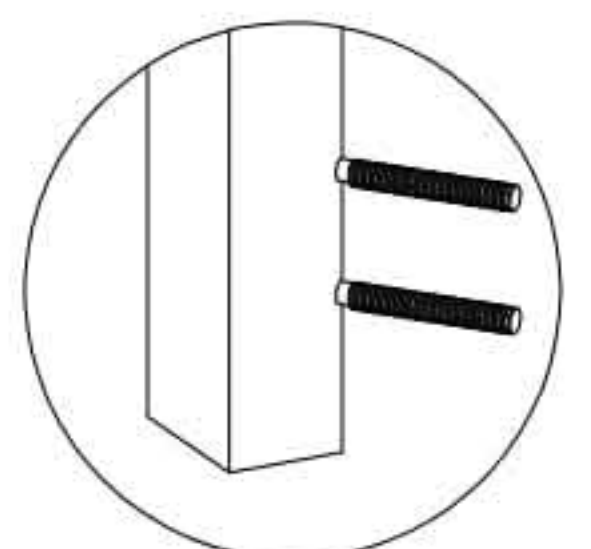


VERSION-1



2-4

VERSION-2



2-4