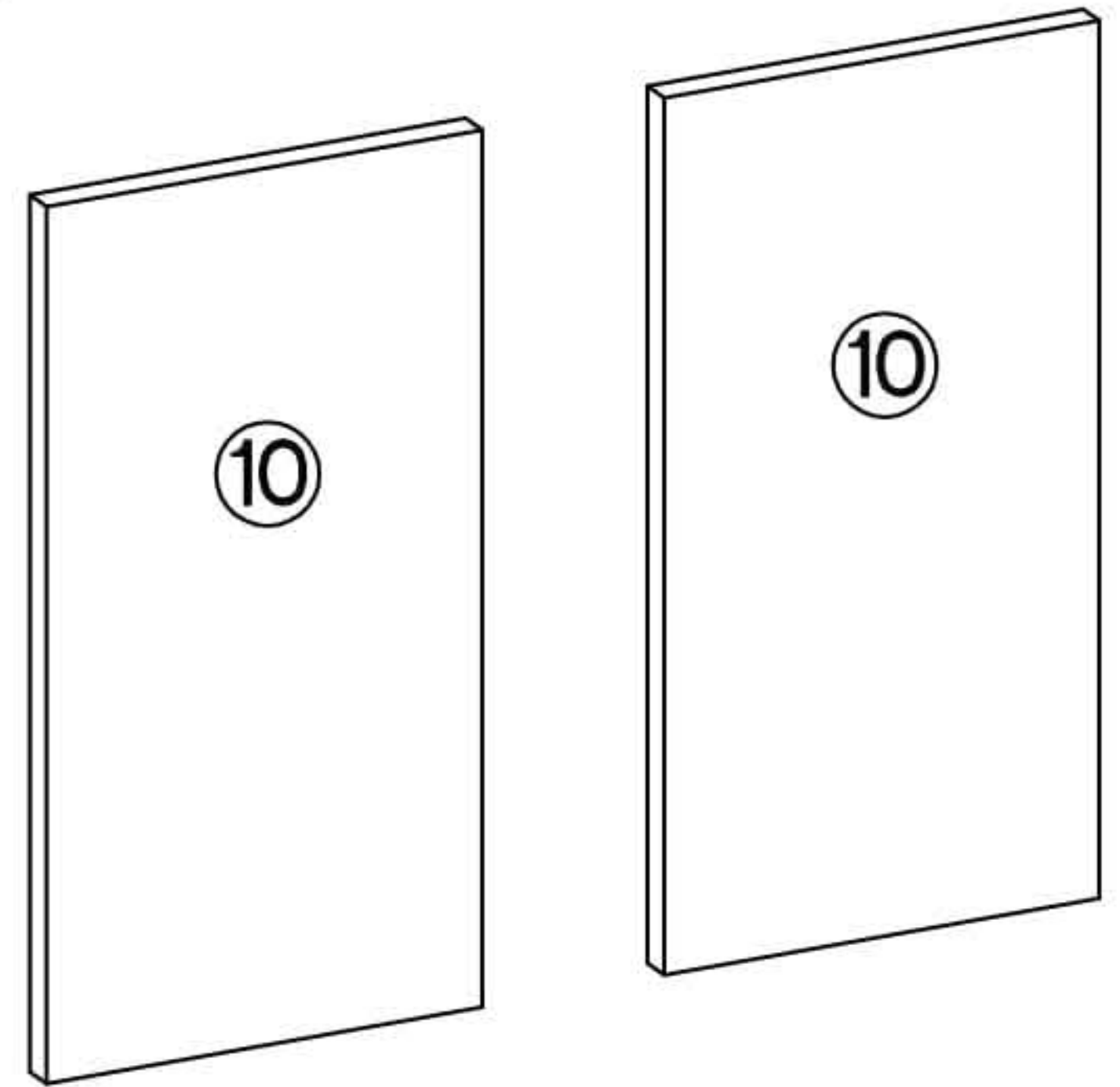
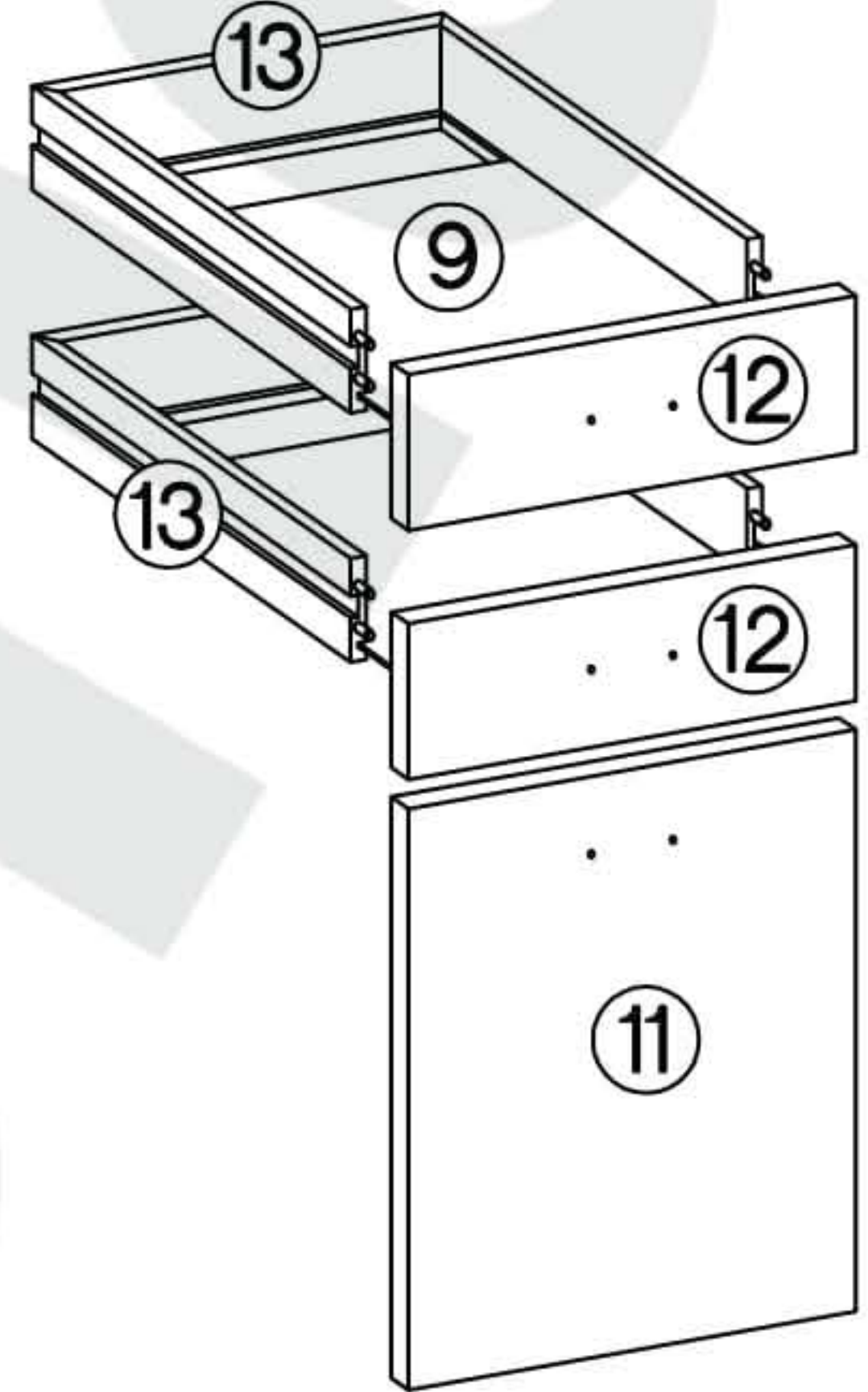
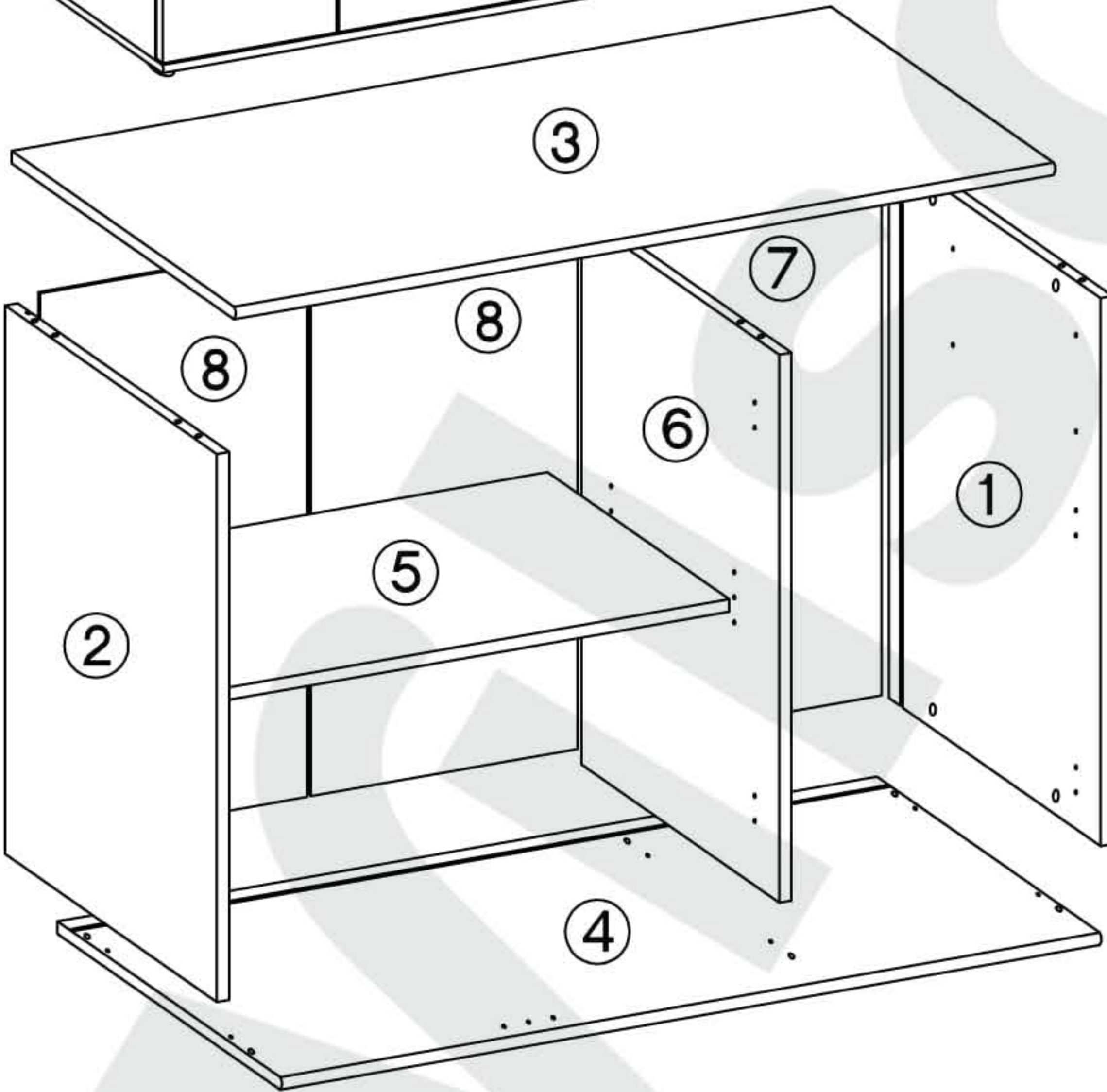
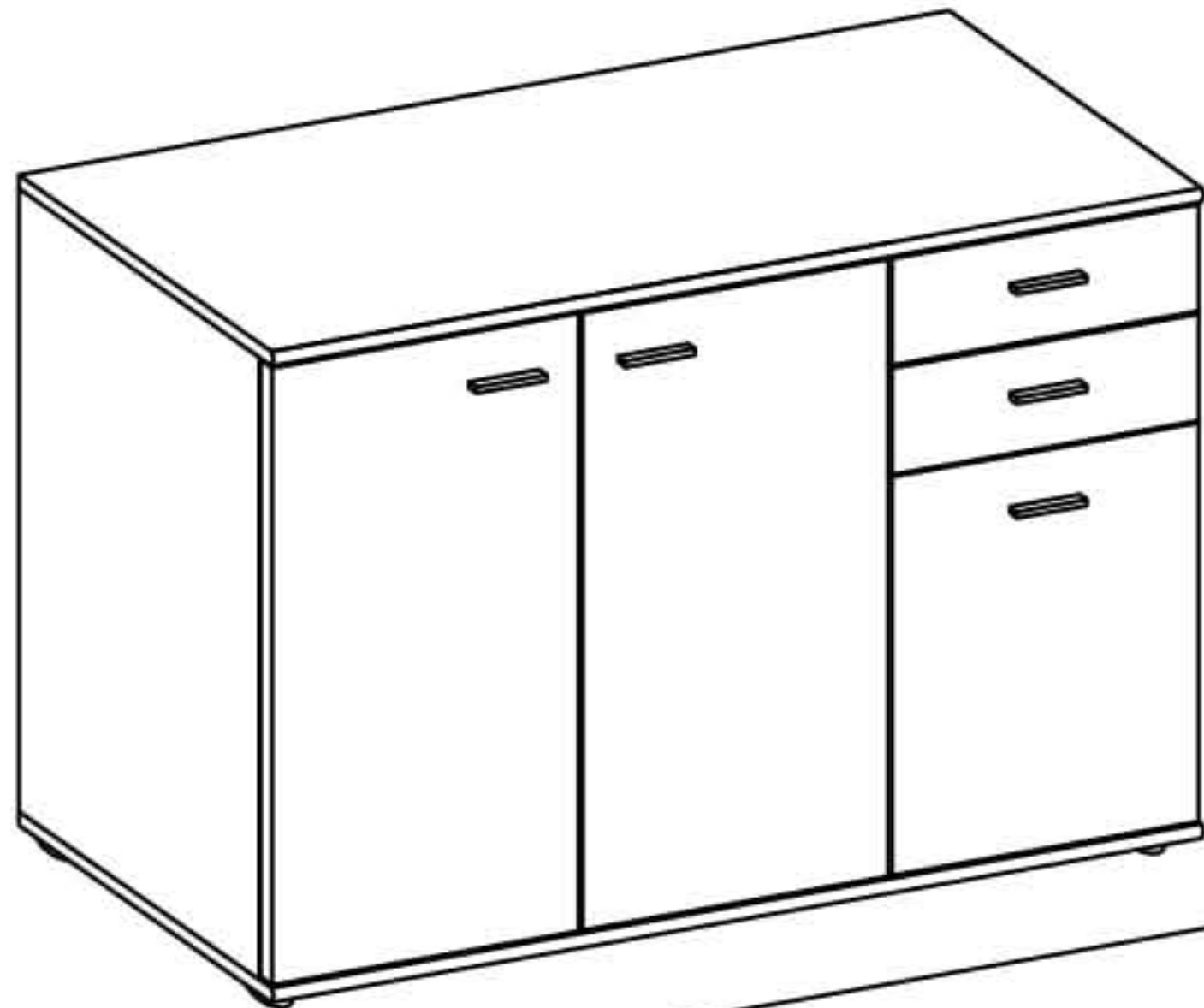
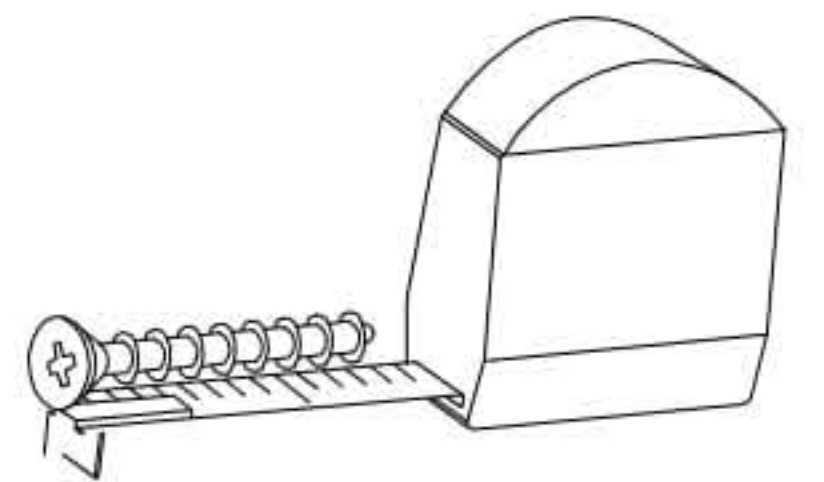


M-ISM-SLO-01

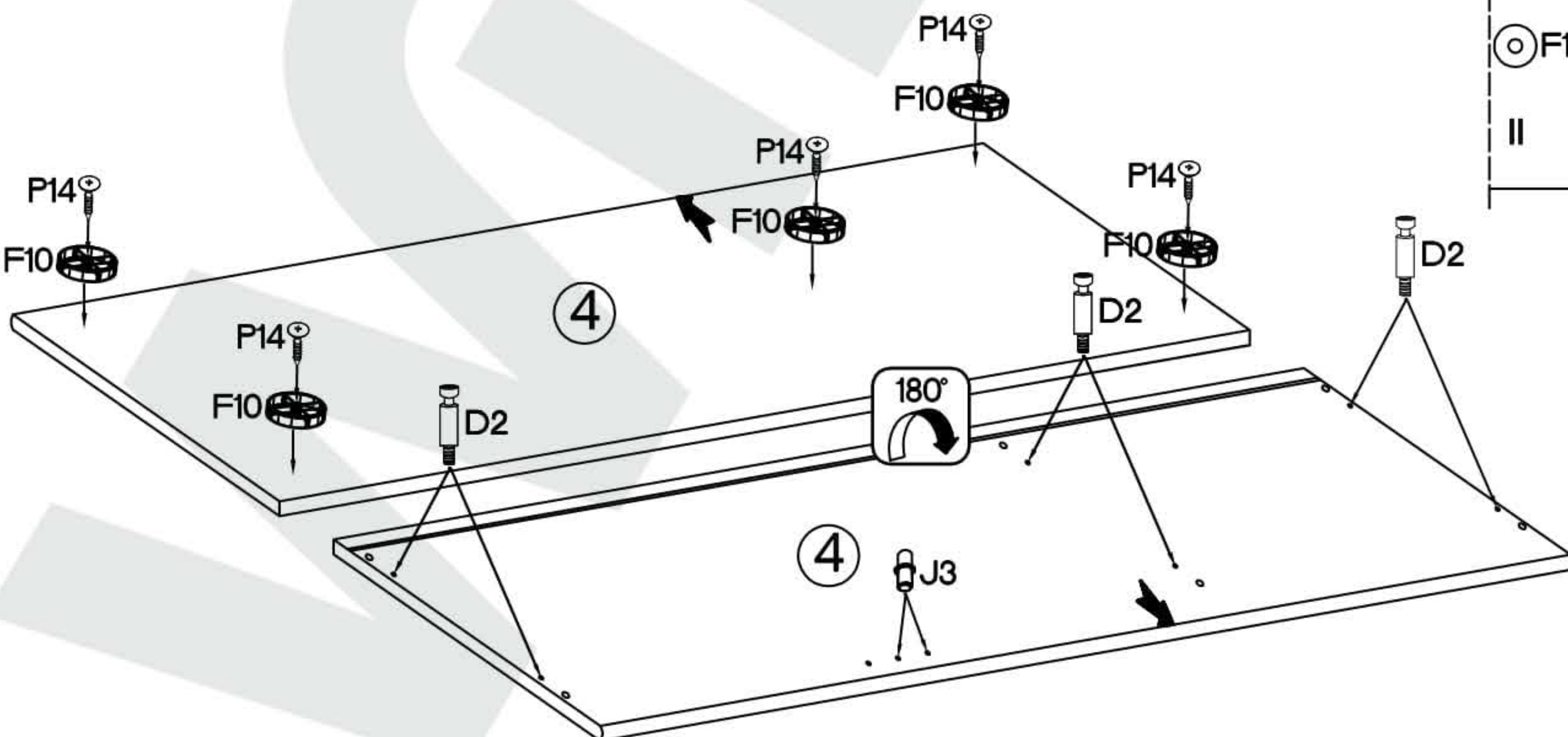
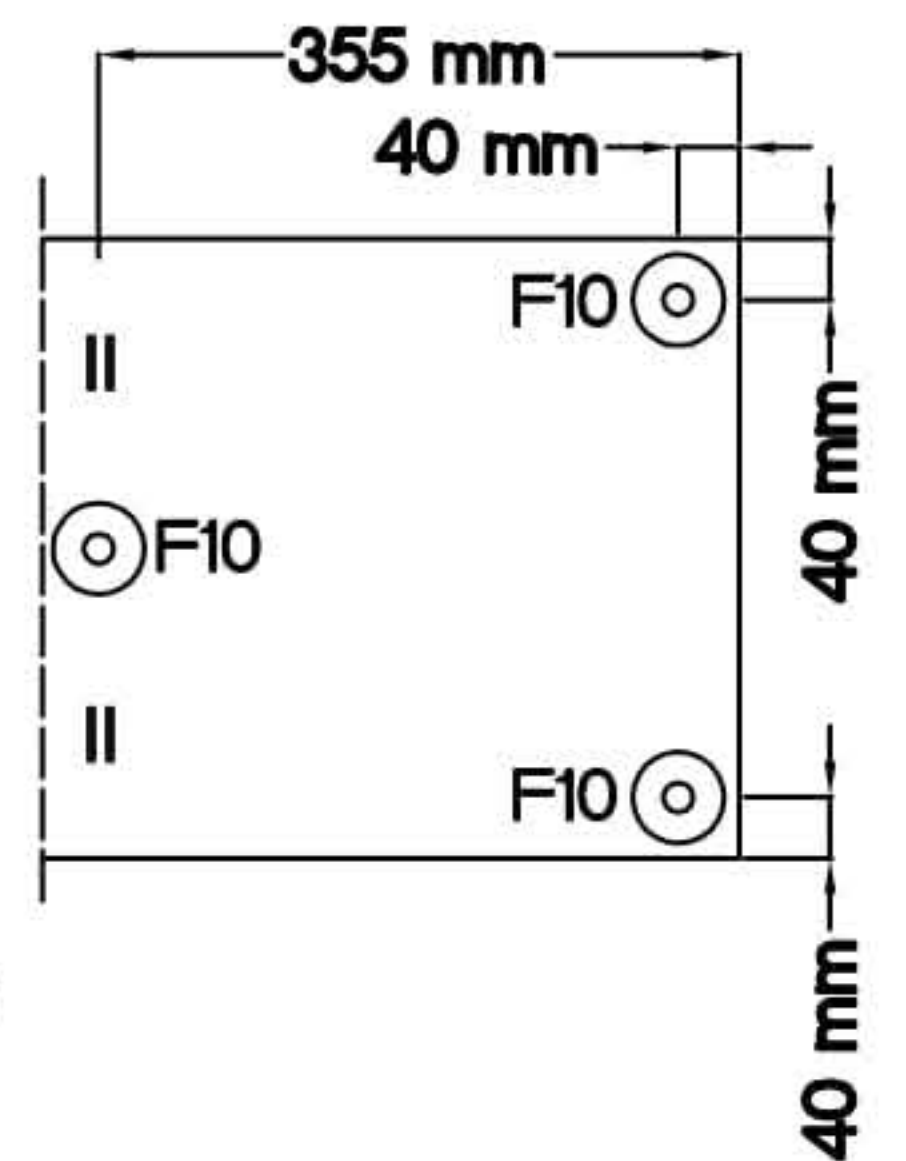
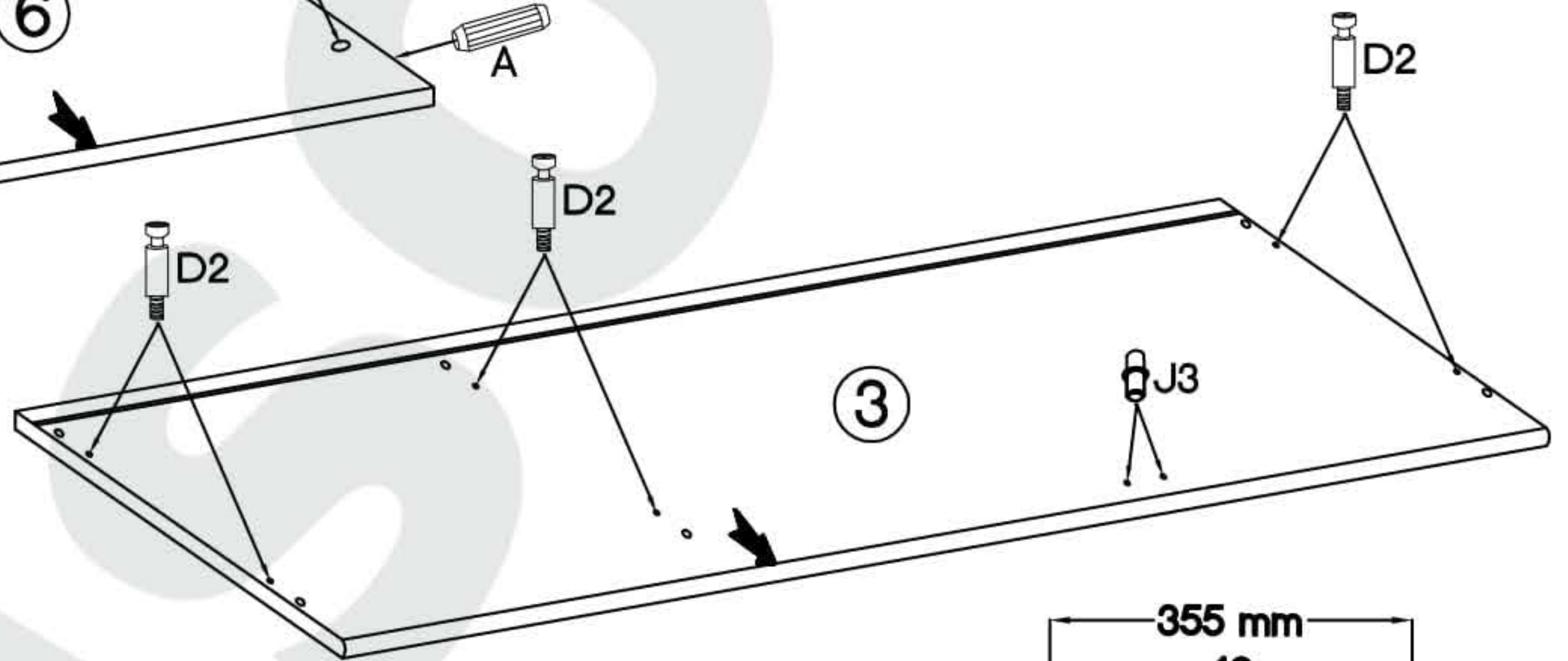
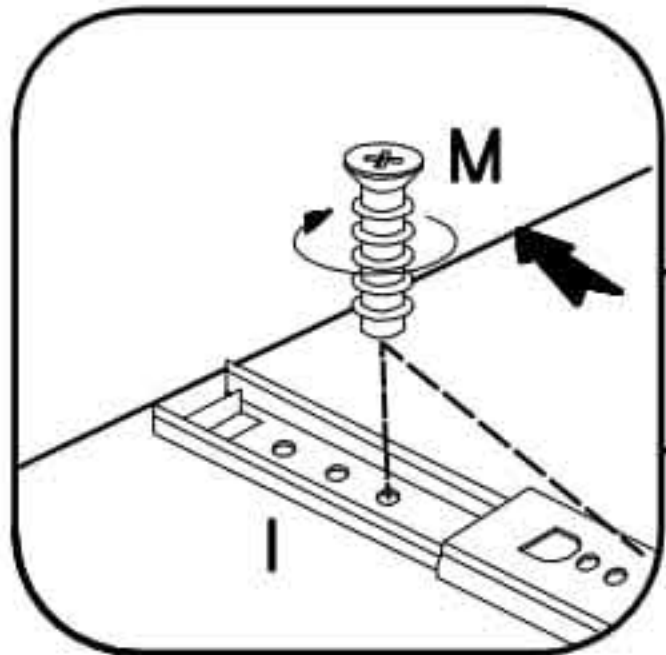
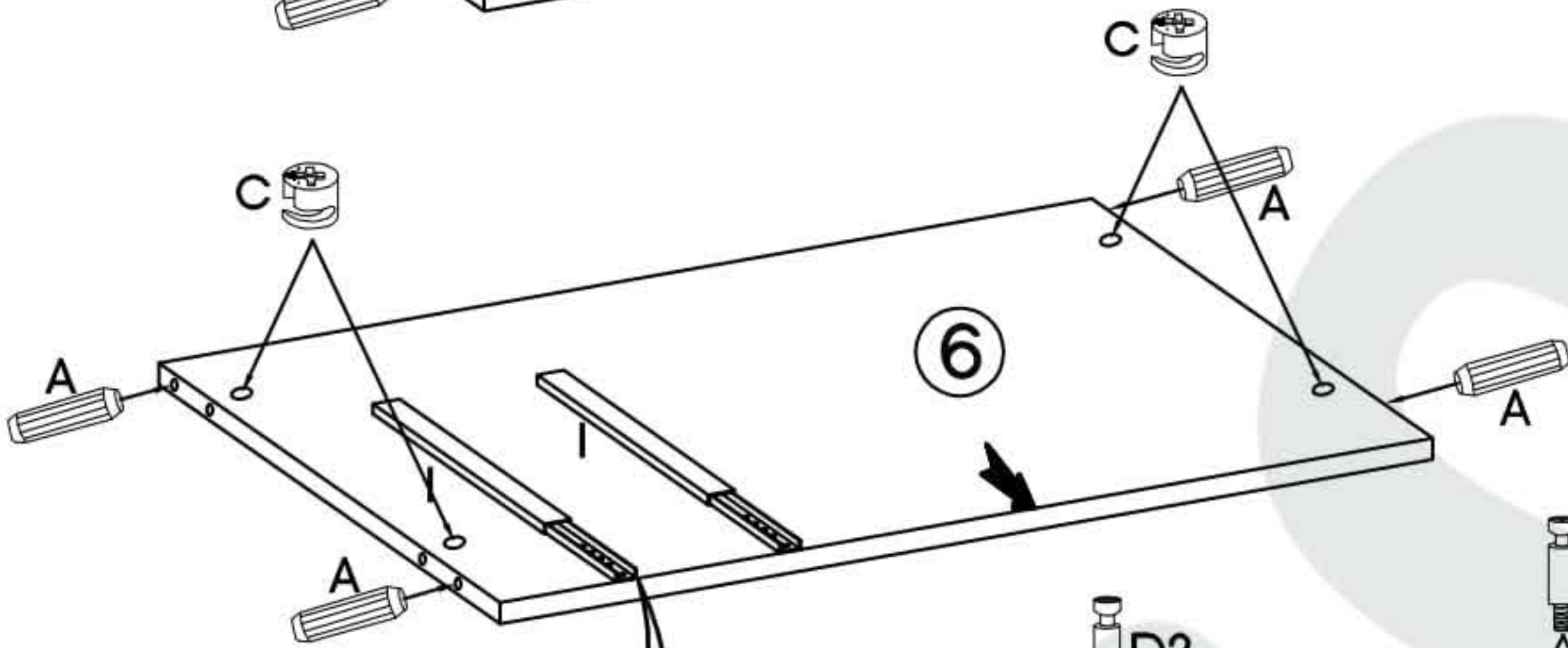
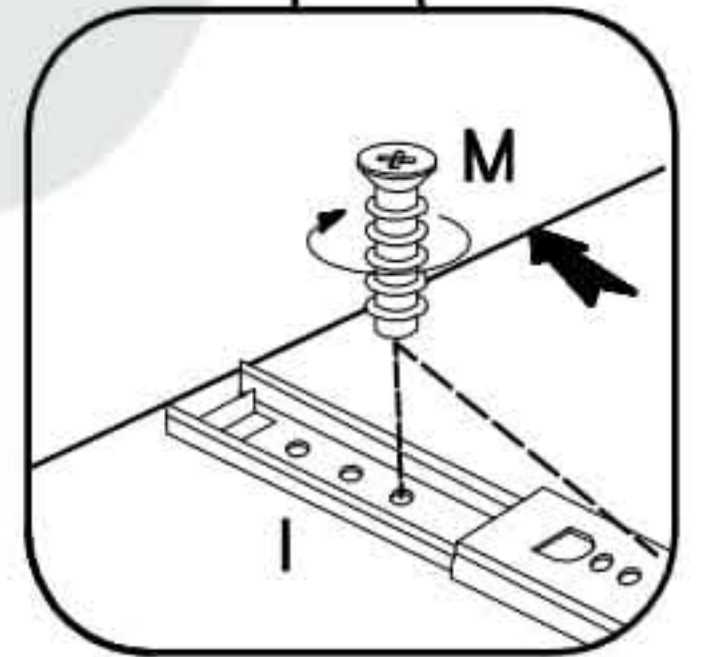
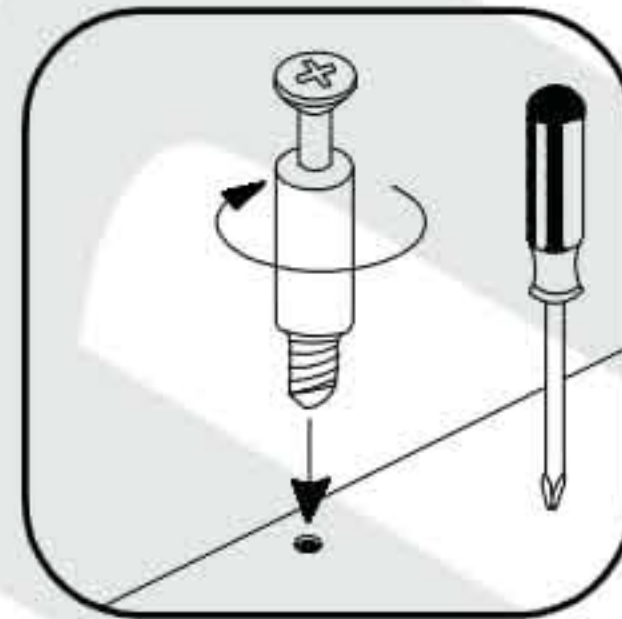
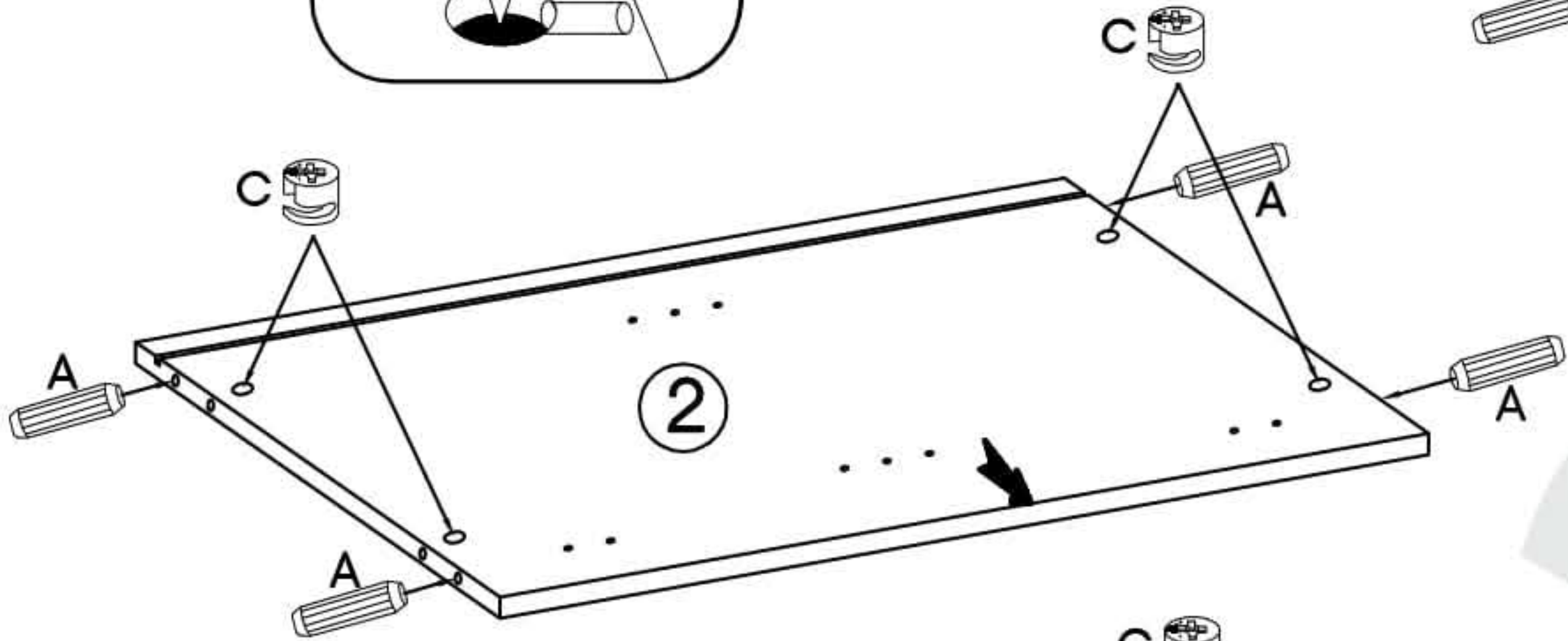
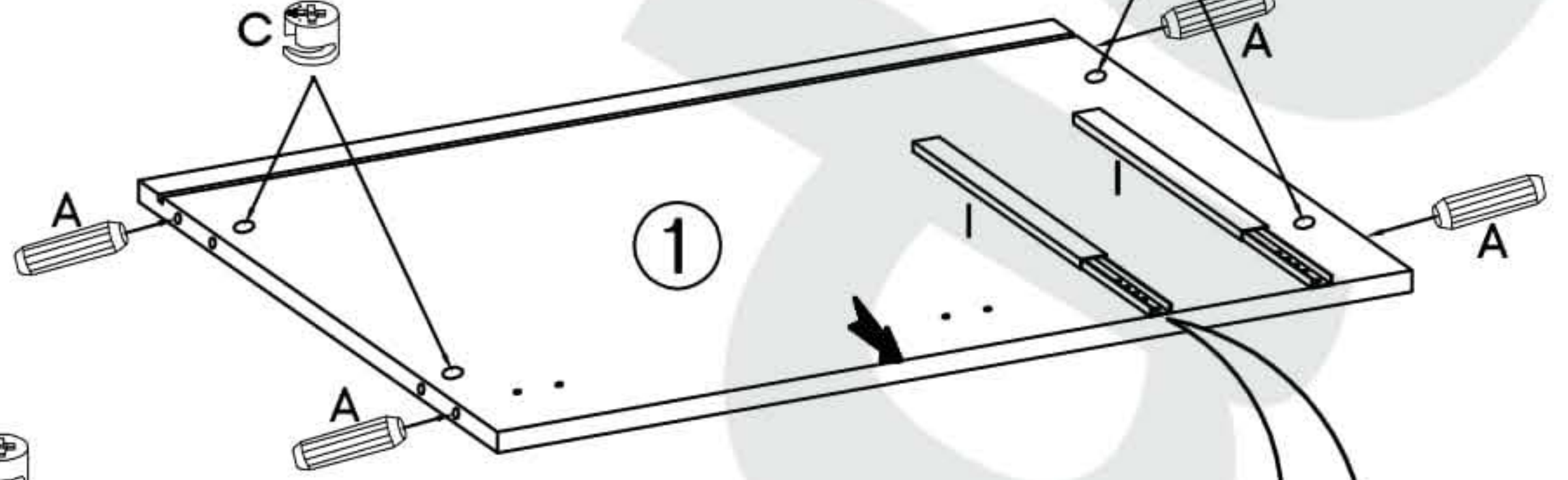


P5	H	G1	P14	F10	U1	O7	L9	L2	J3	L	P7
13	6	2	5	5	4	1	1	5	8	10	
S13	L1	M	A	D2	C	E	O1	G	I	R2	P7
5	1	8	20	12	12	8	1	4	2	10	5





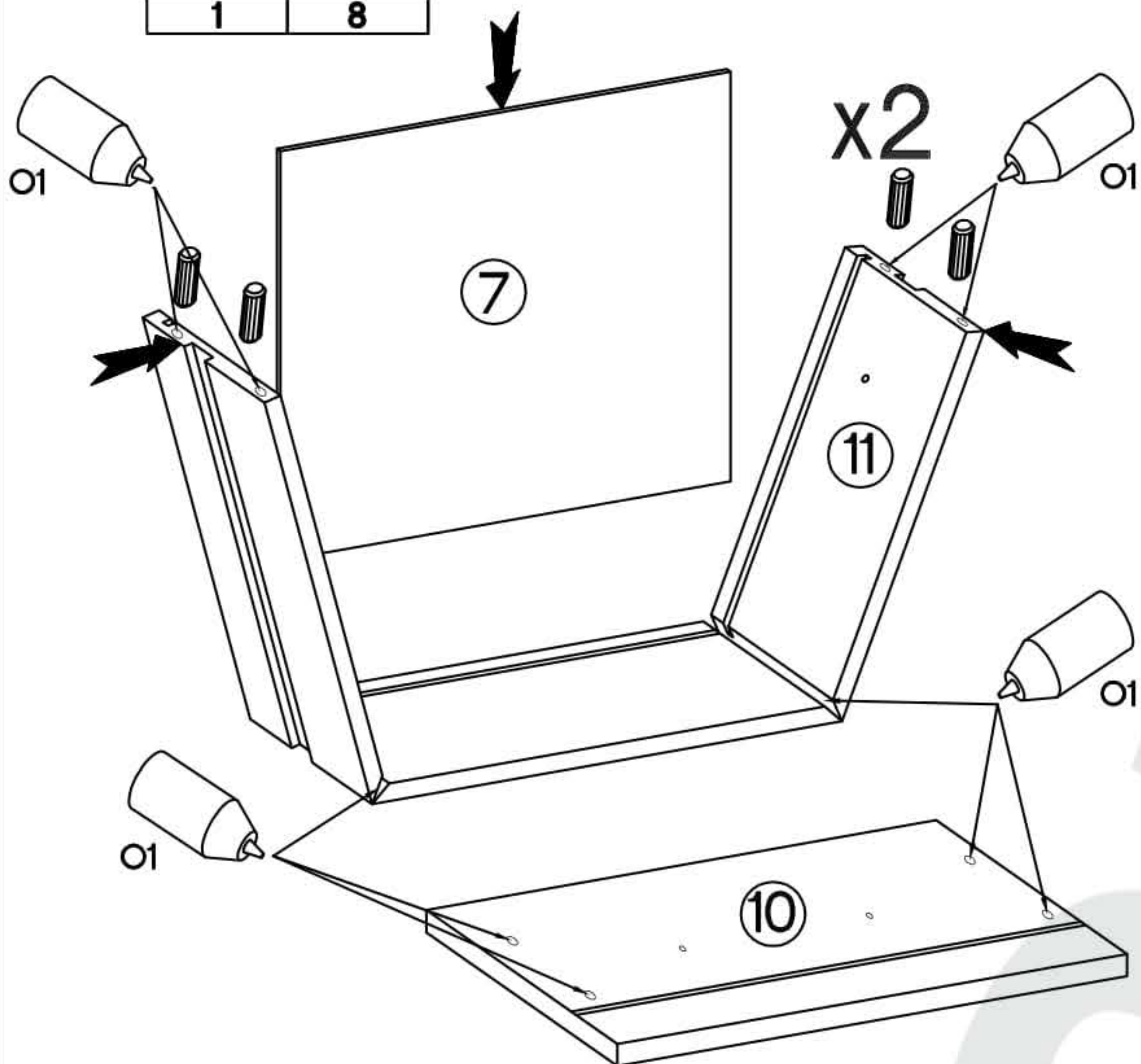
1.

$\varnothing 8 \times 30 \text{mm}$	L=20mm	$\varnothing 5/12 \text{mm}$	$\varnothing 4.0 \times 25 \text{mm}$		L=246/17mm	$\varnothing 5.0 \times 13 \text{mm}$	
A	D2	C	P14	F10	I	M	J3
12	12	12	5	5	2	8	4





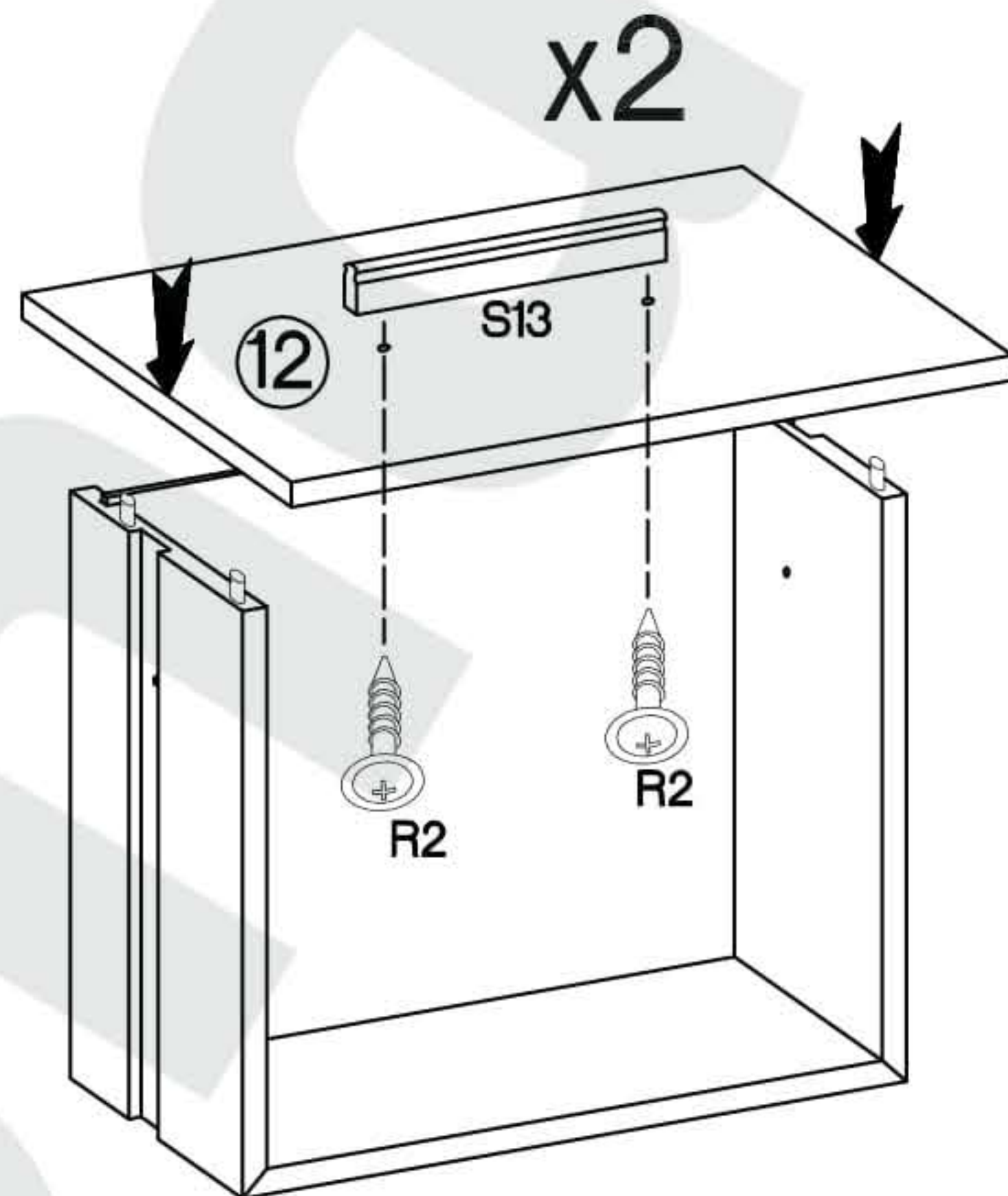
2.

	
O1	A
1	8

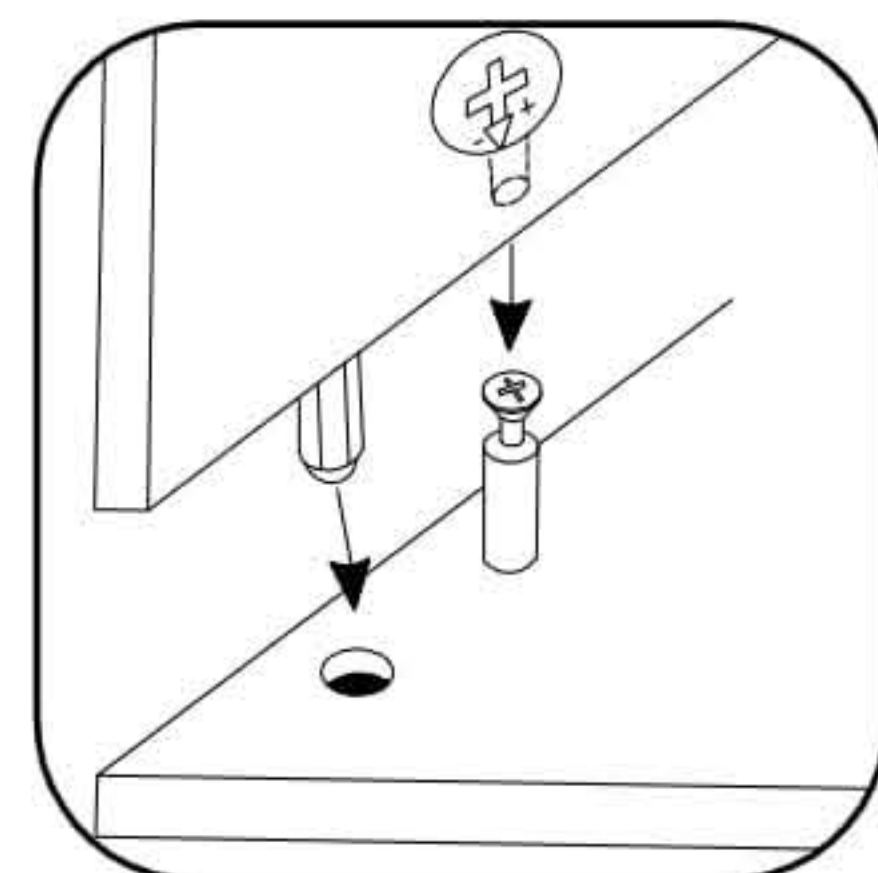
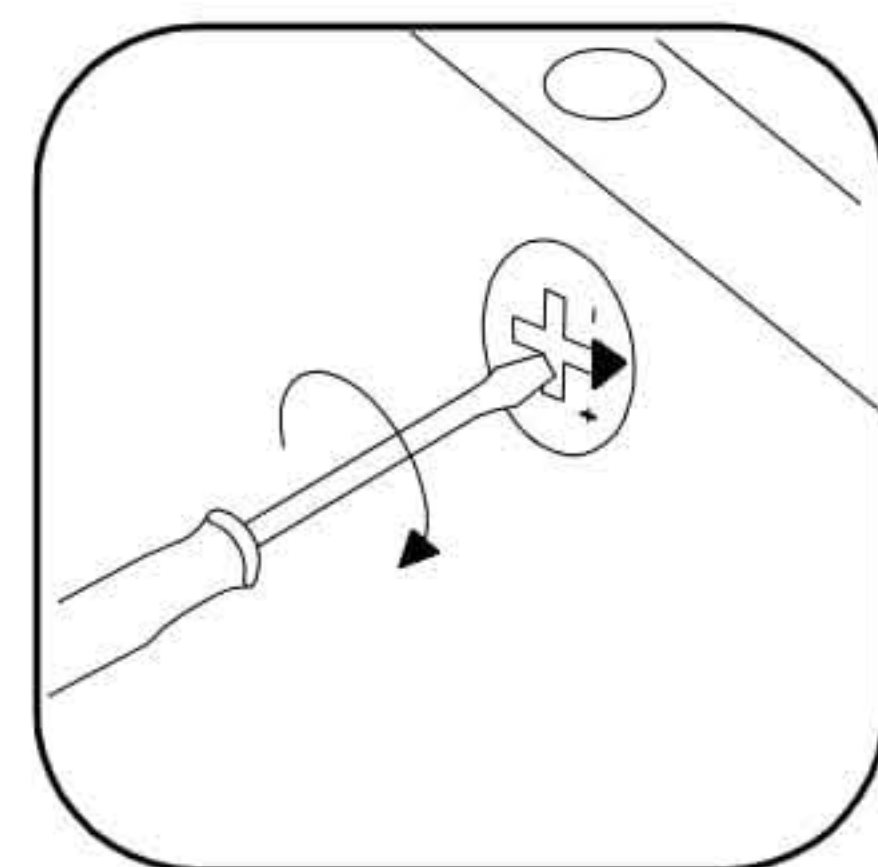
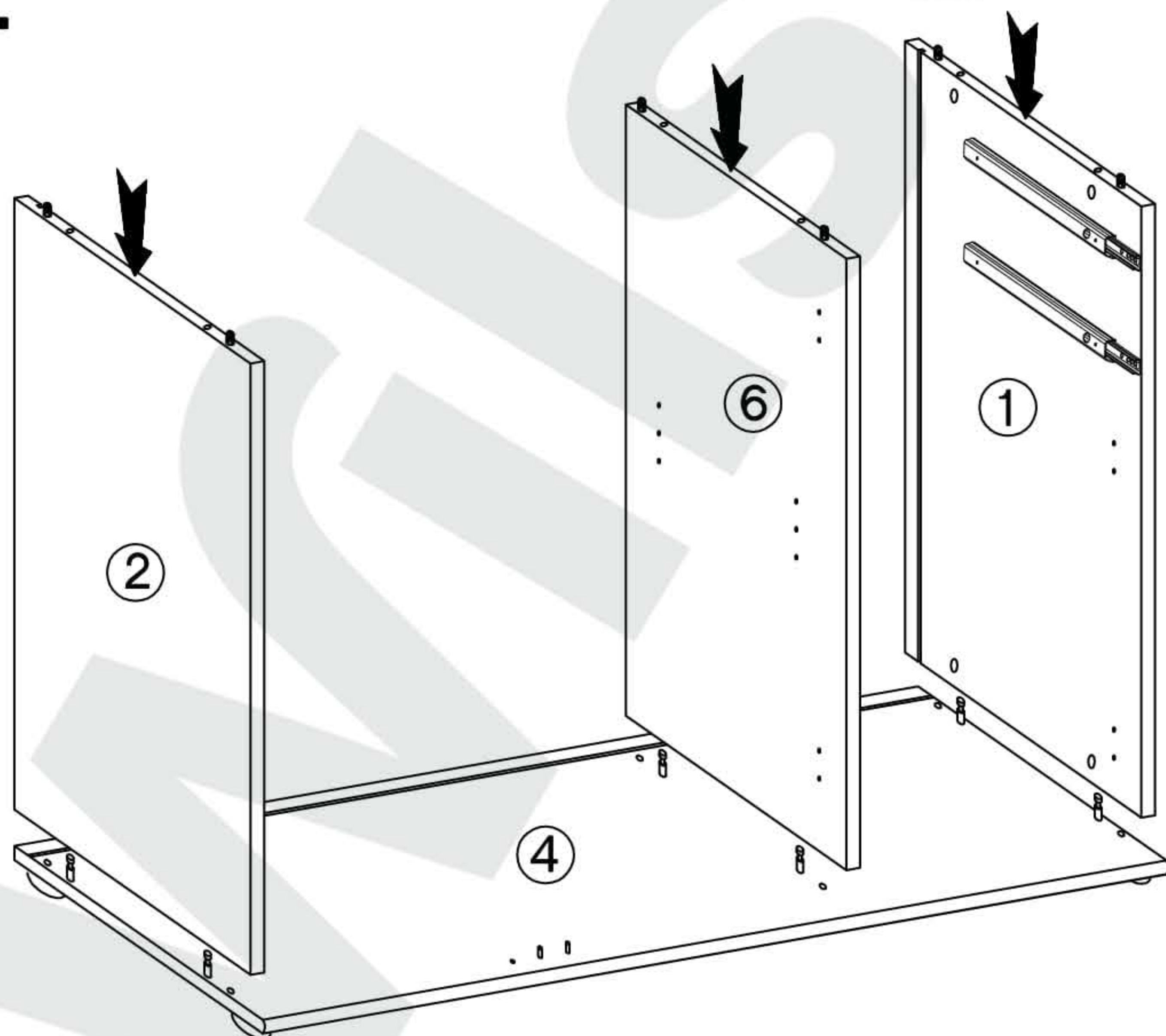


3.

	
S13	R2
2	4



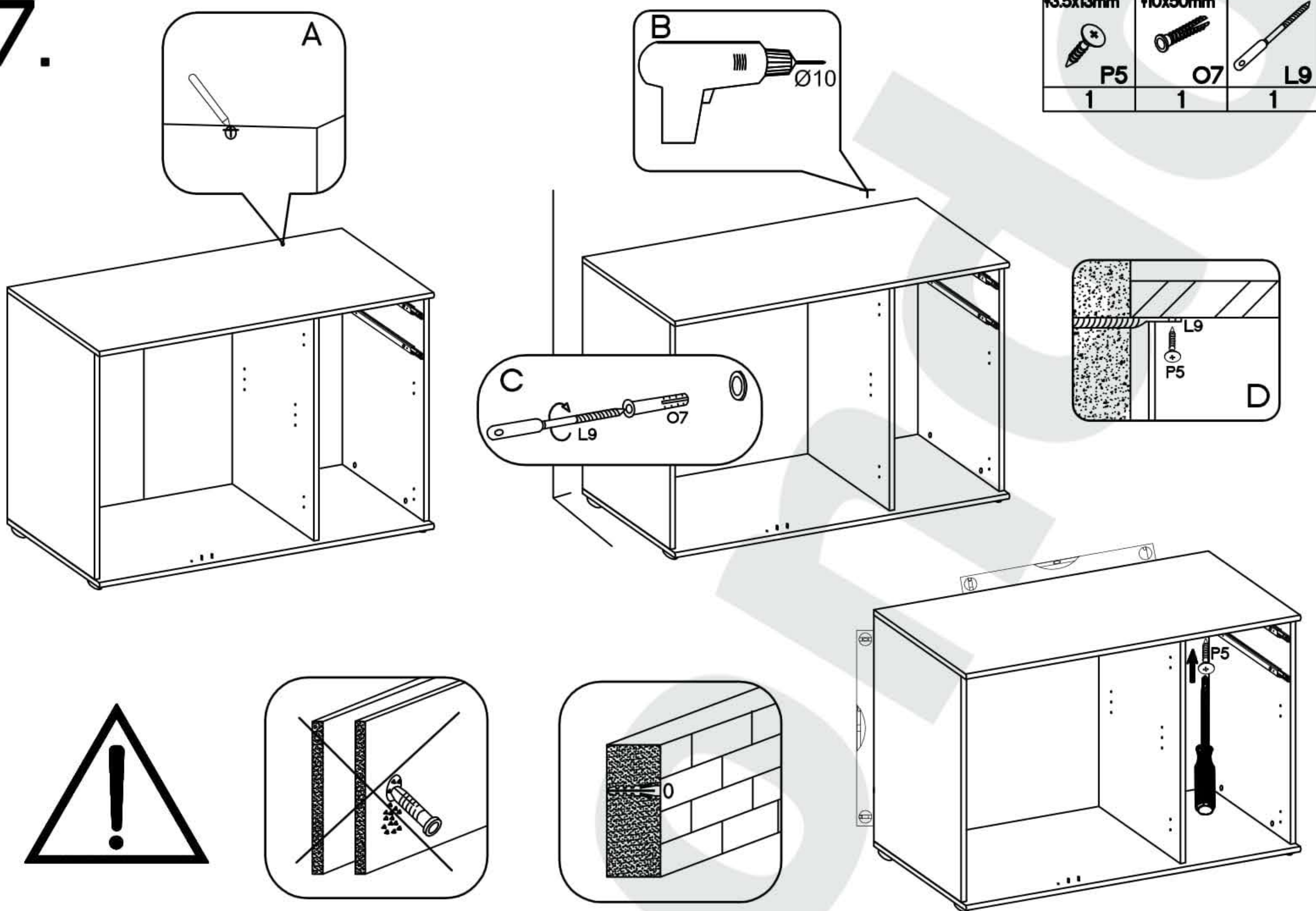
4.



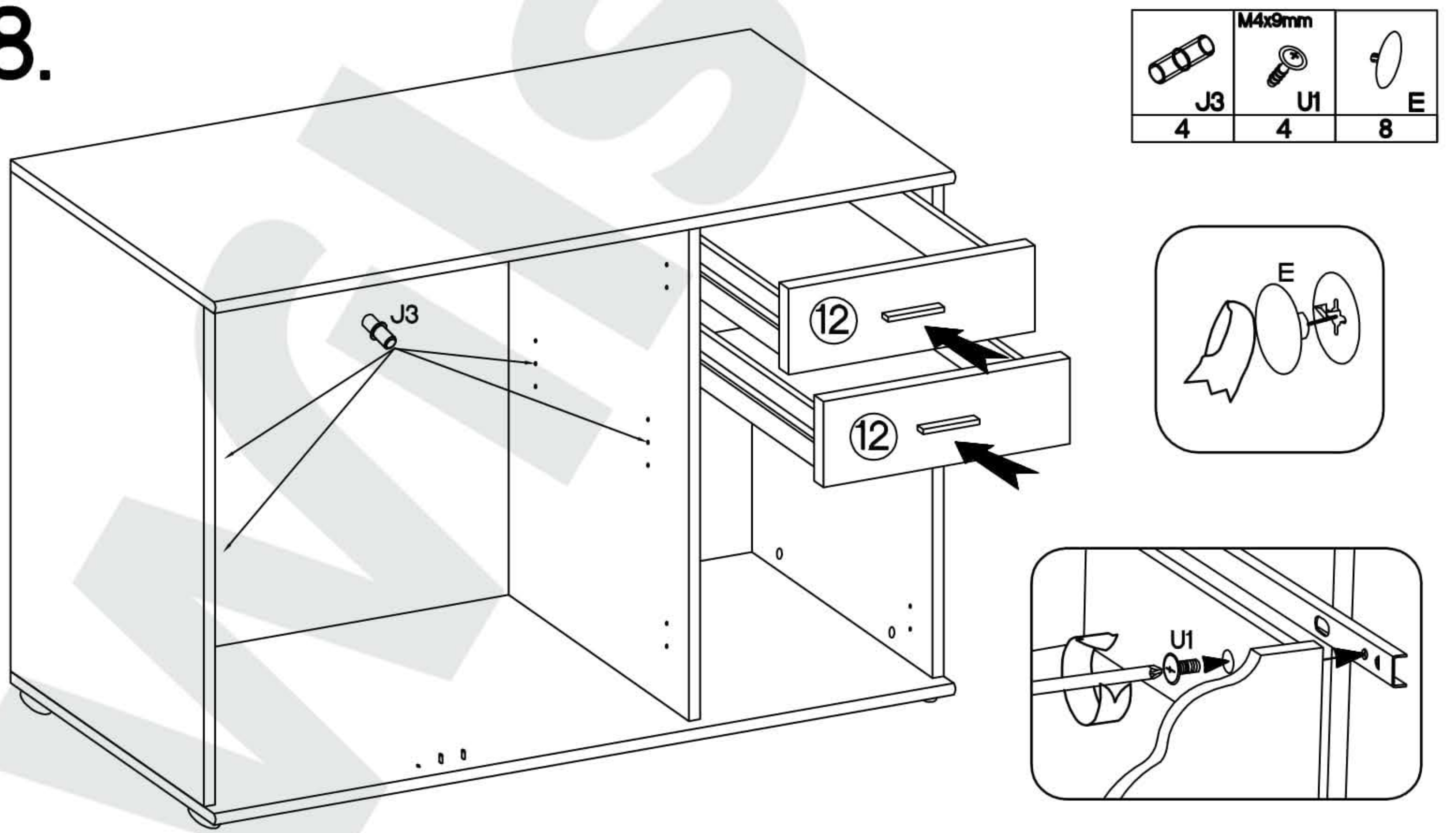
MIKE 1

5/7





7.

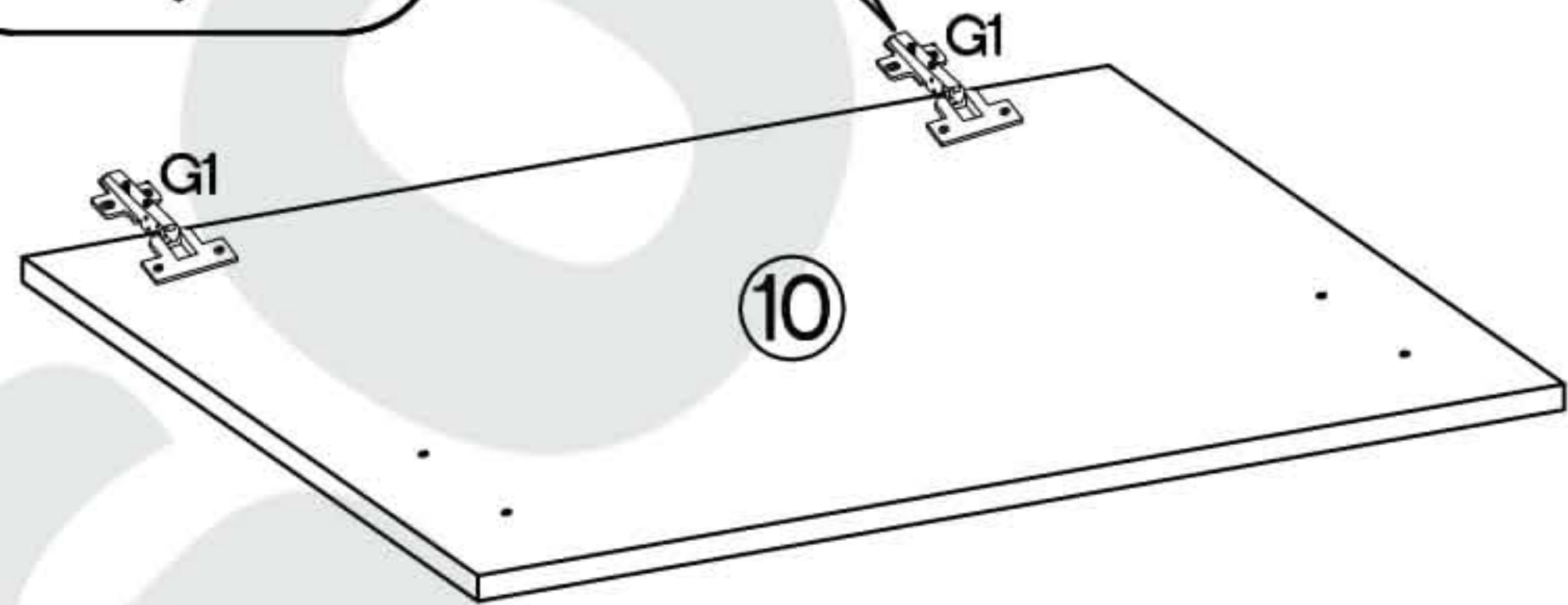
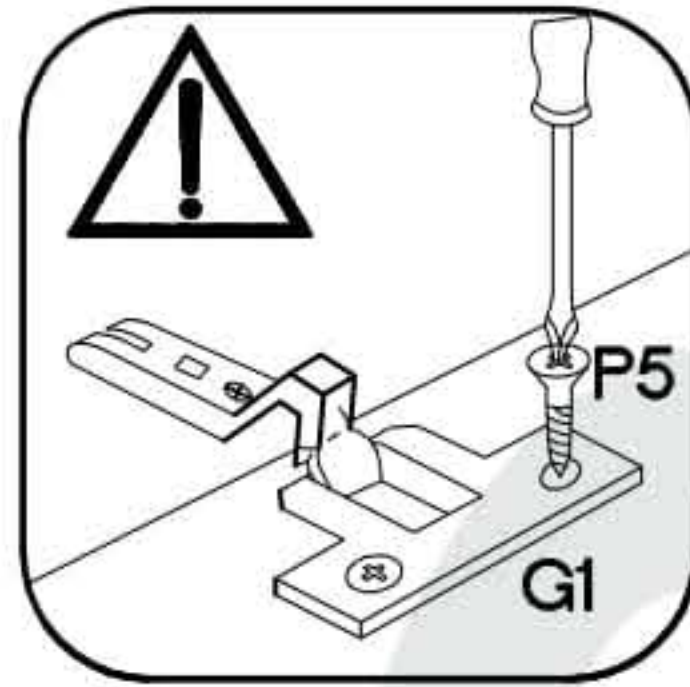
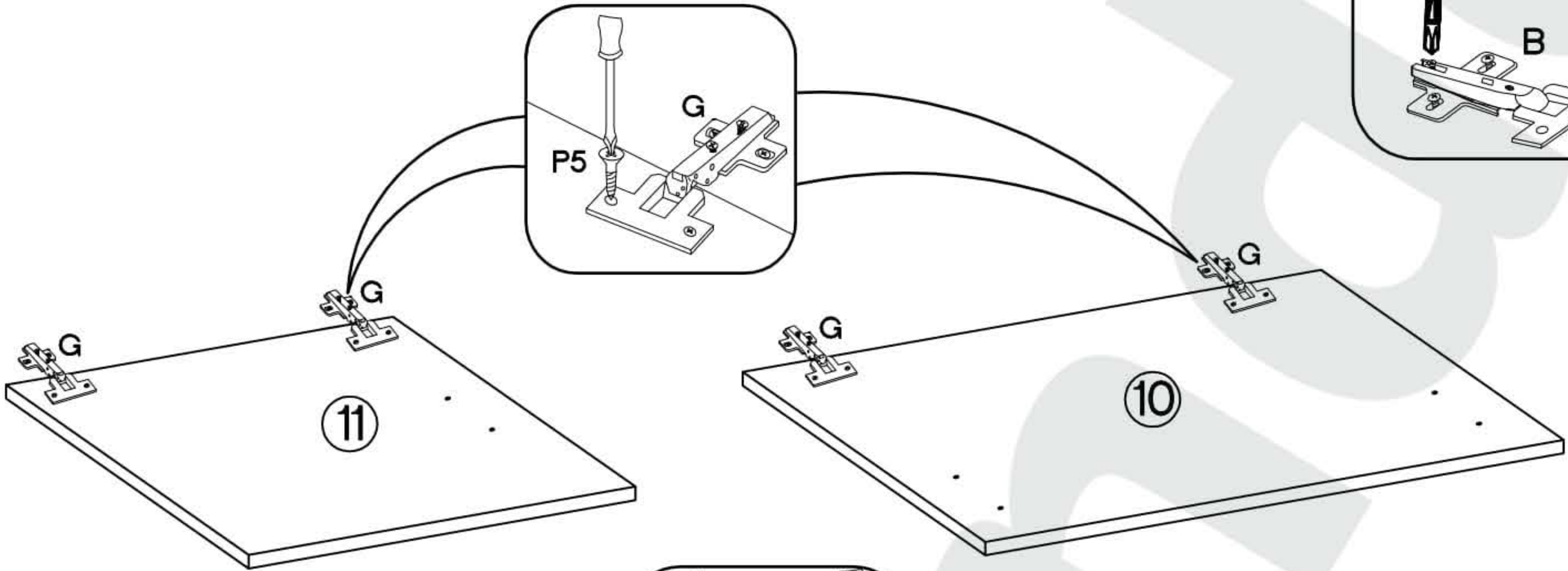
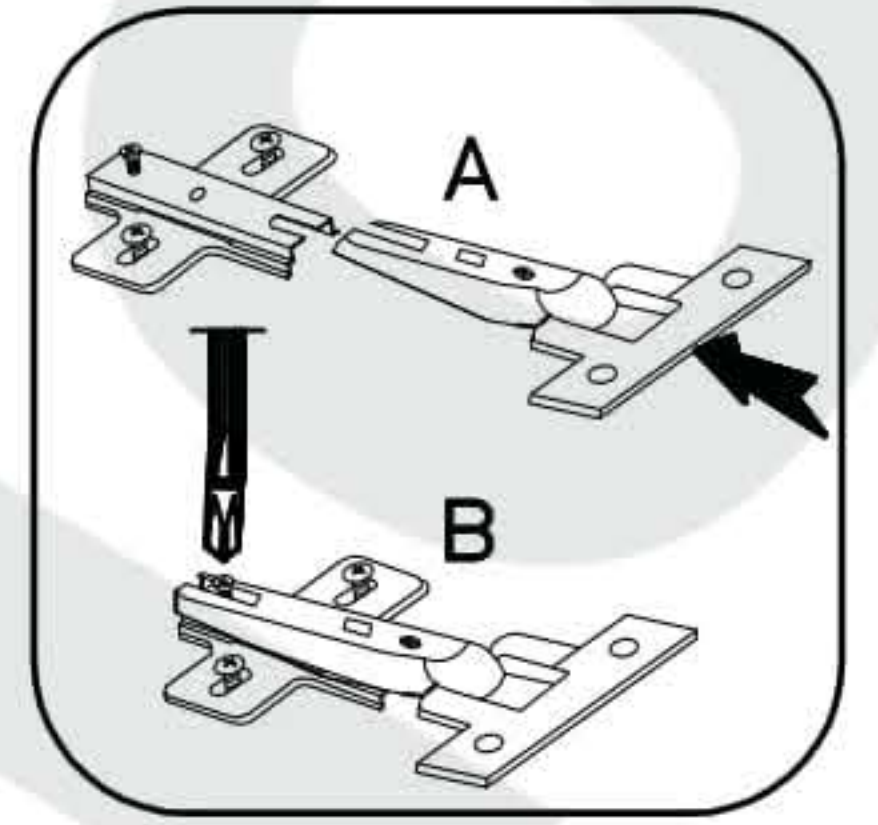


8.





9.

Ø3.5x13mm		Ø35/9mm	Ø35/0mm
			
P5	H	G1	G
12	6	2	4



10.

L-64 mm	4.0x30mm
	
S13	R2
3	6

