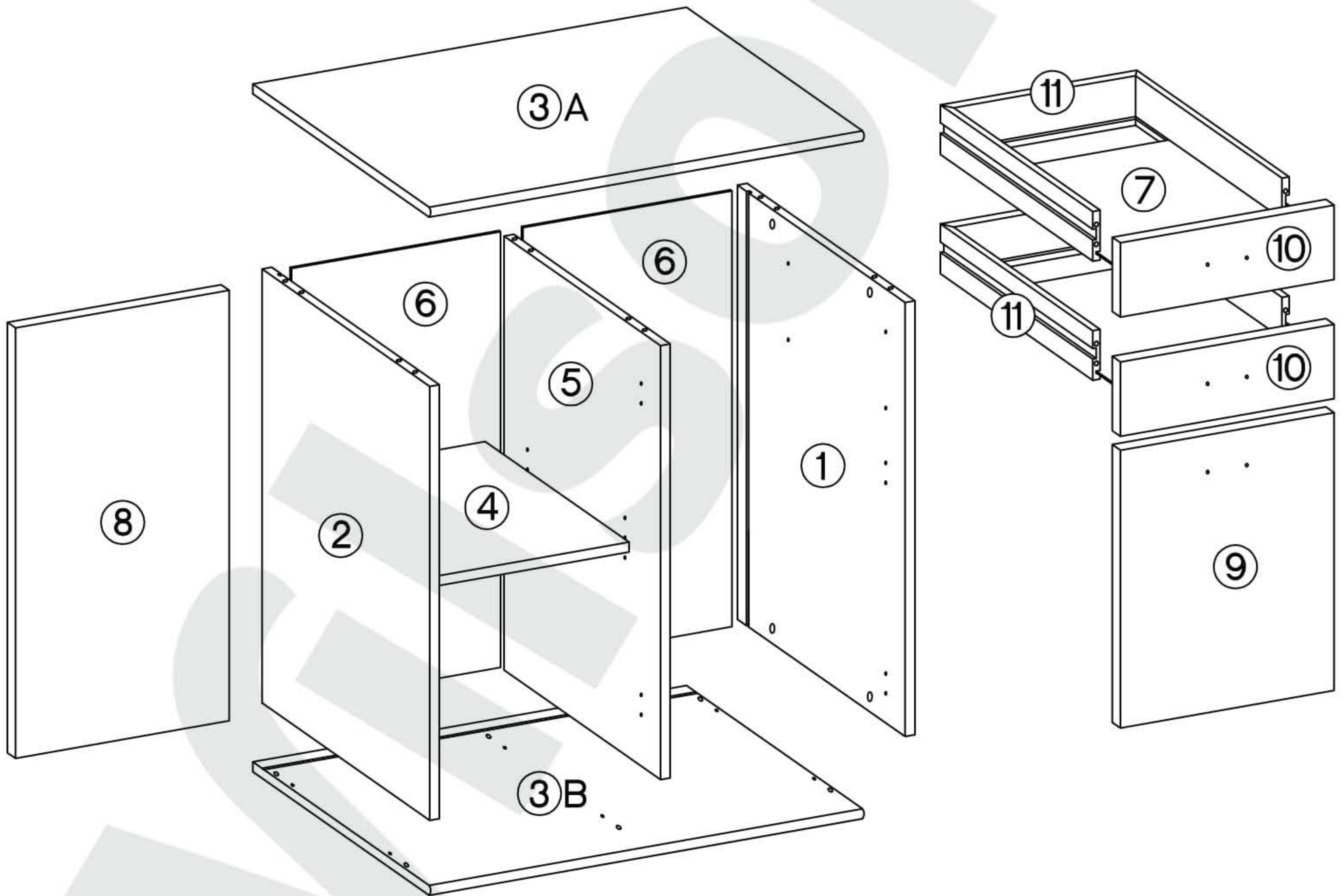
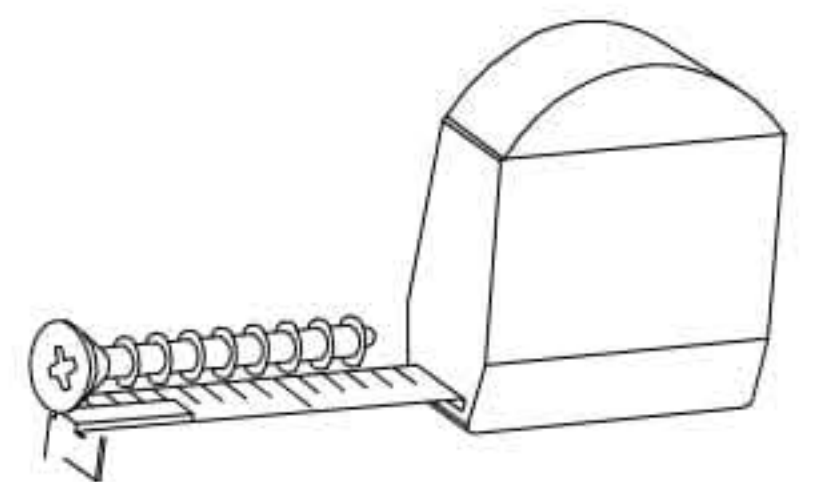


## M-ISM-SLO-02

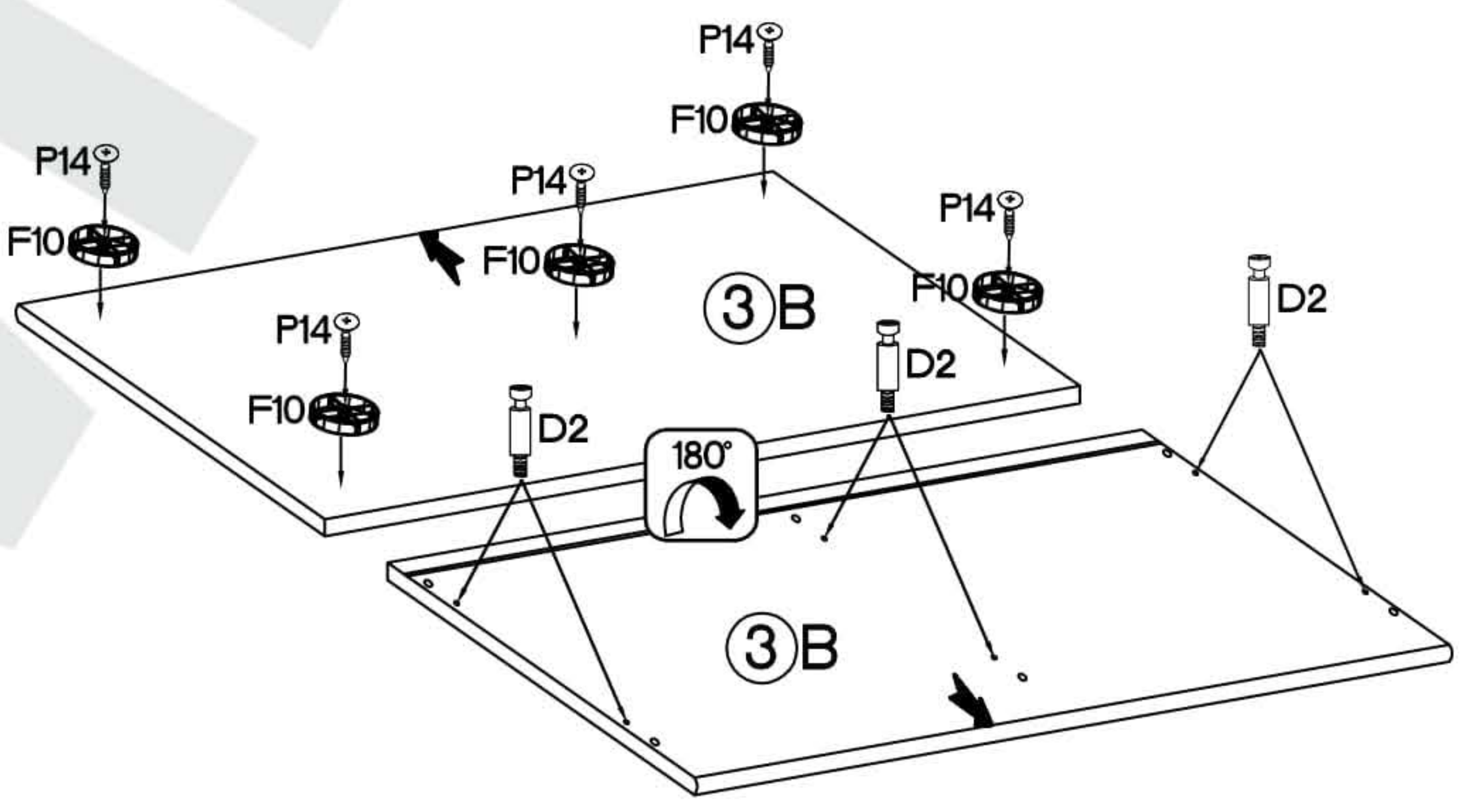
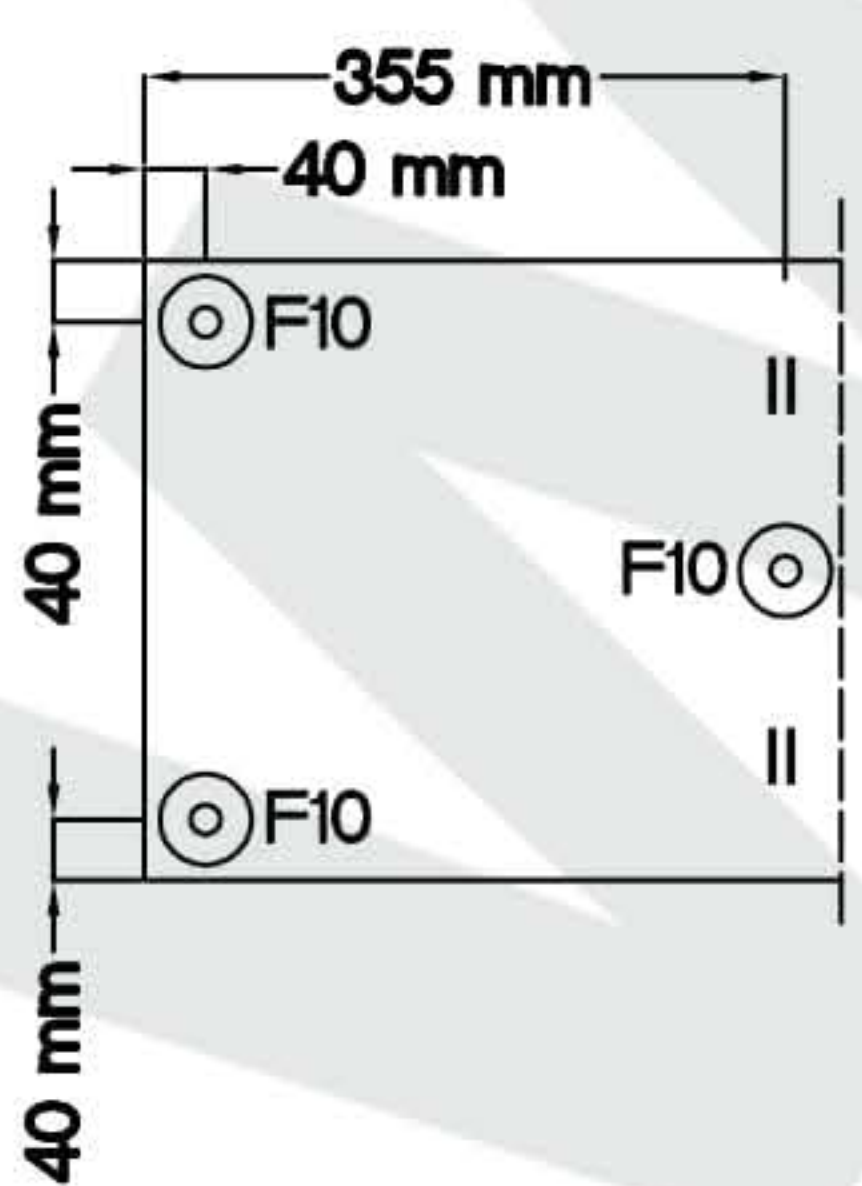
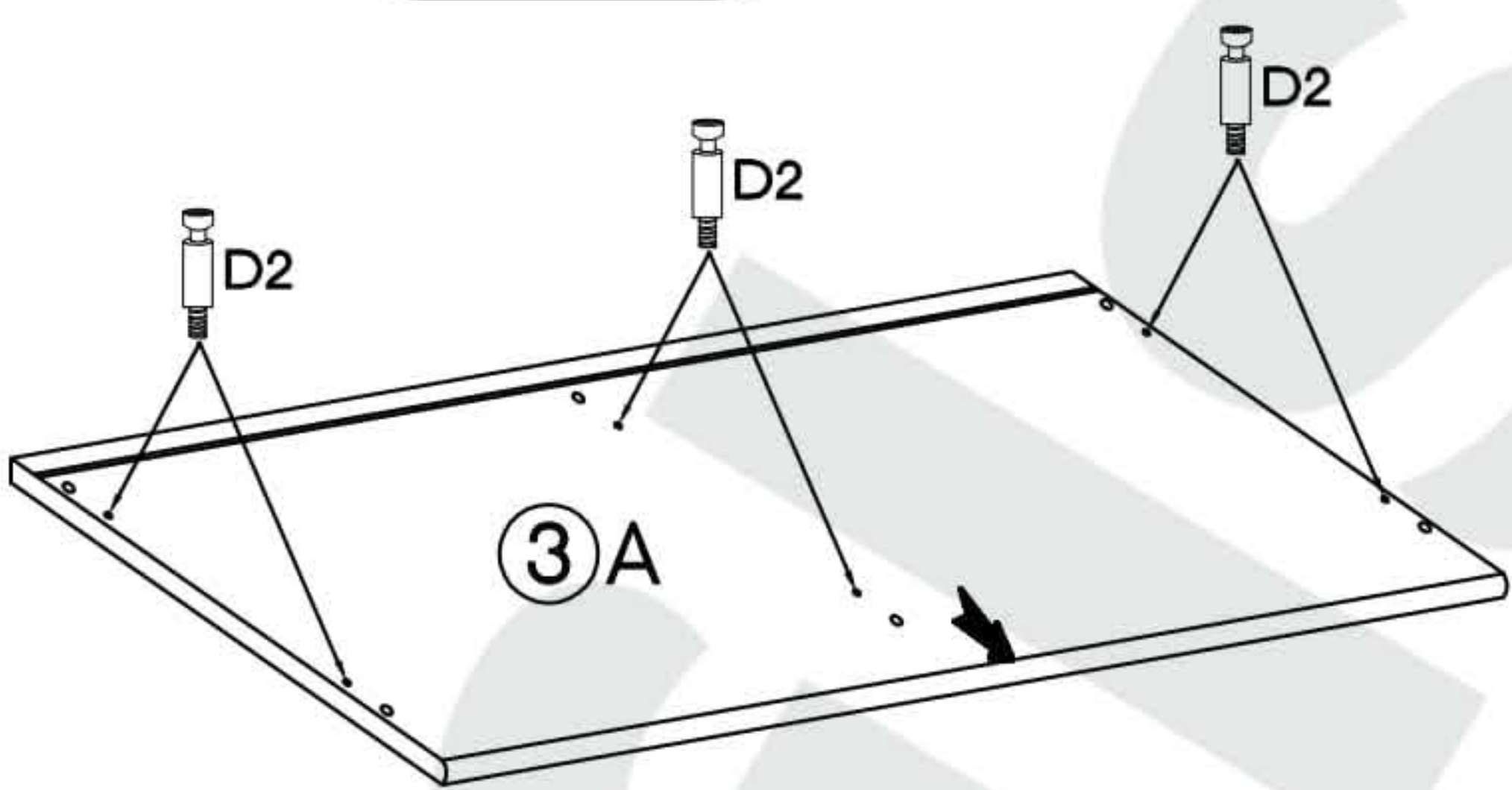
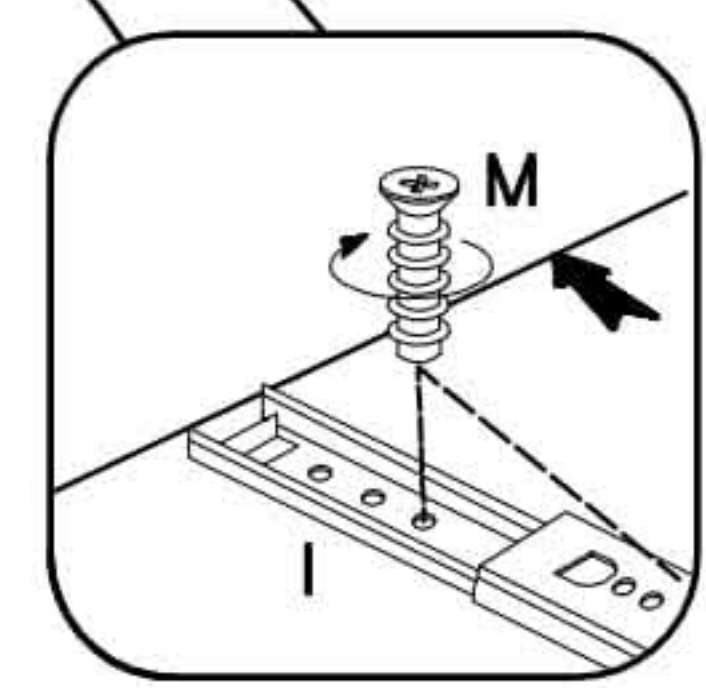
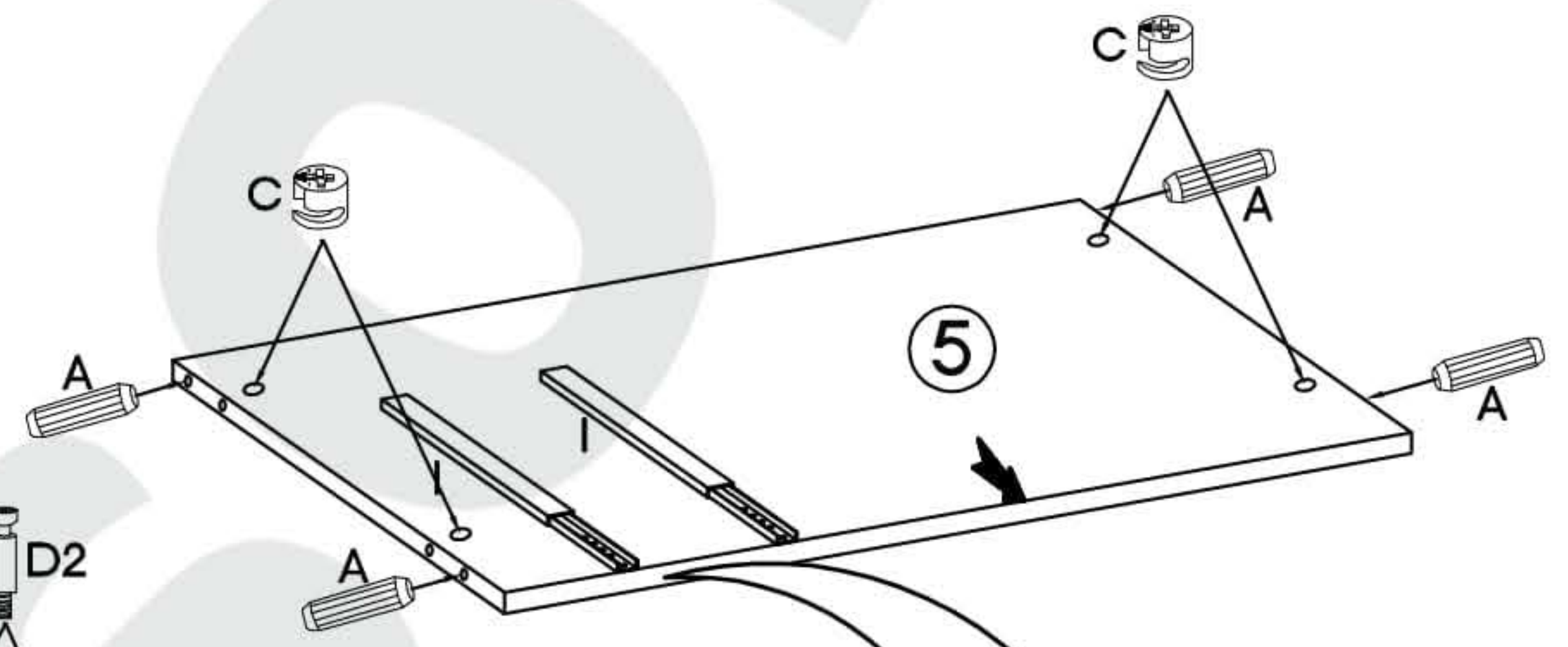
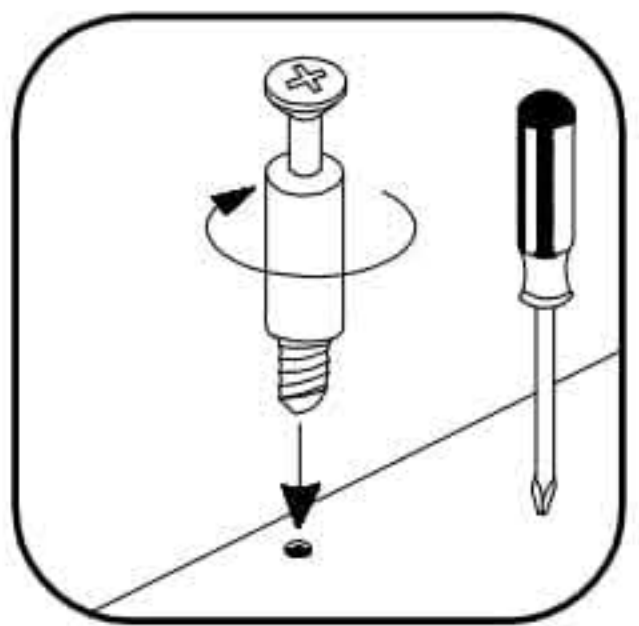
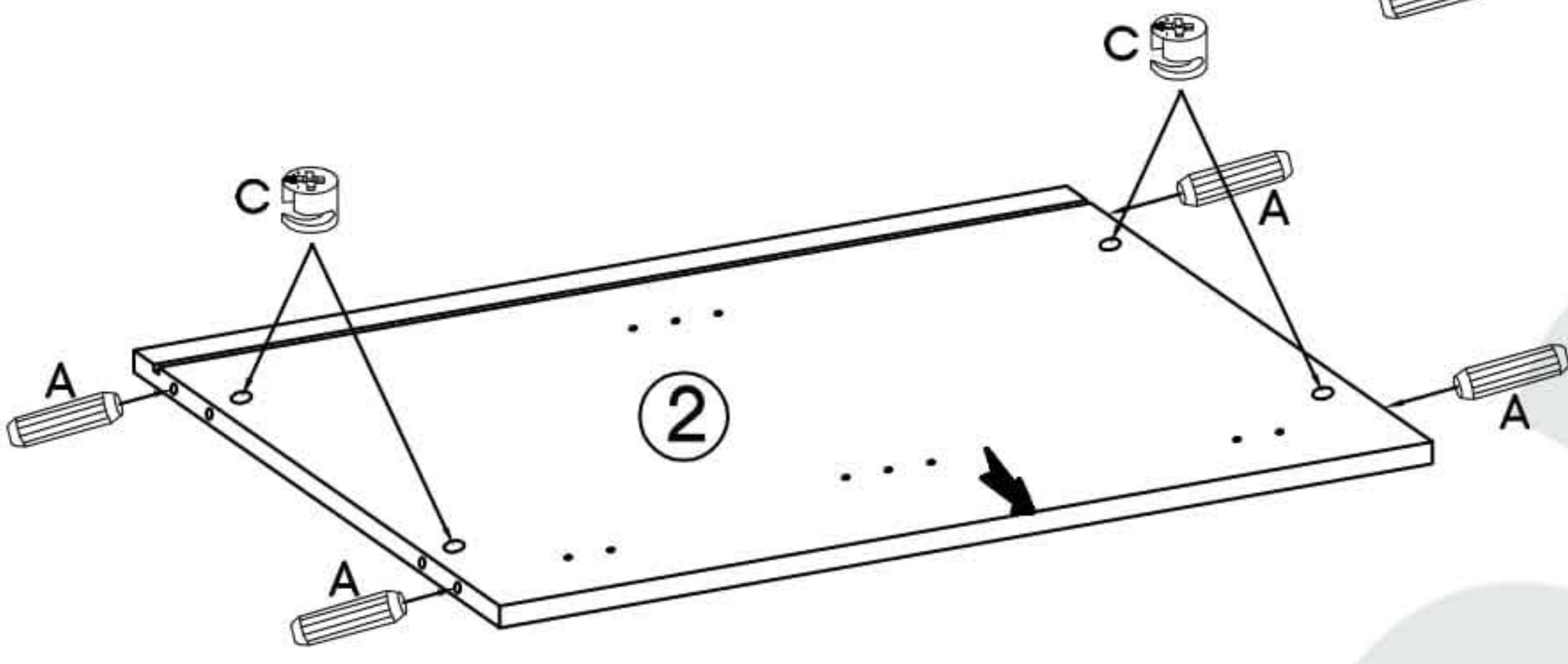
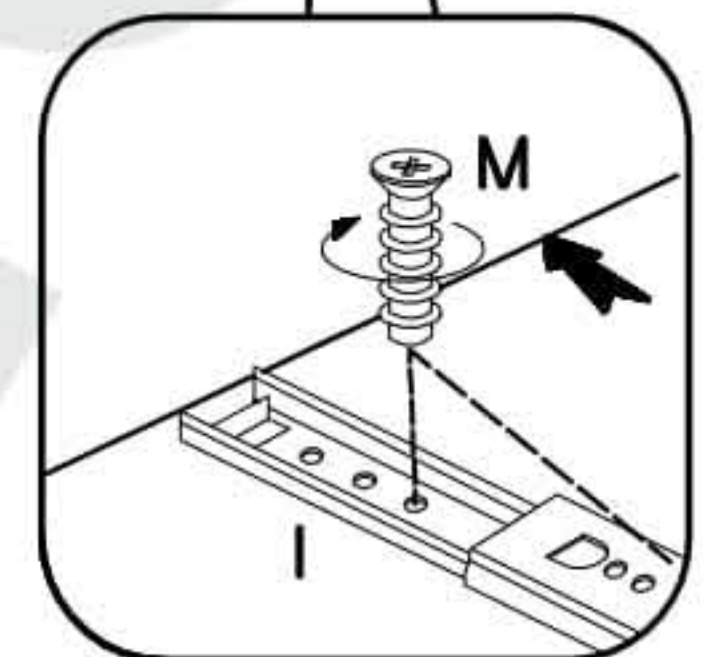
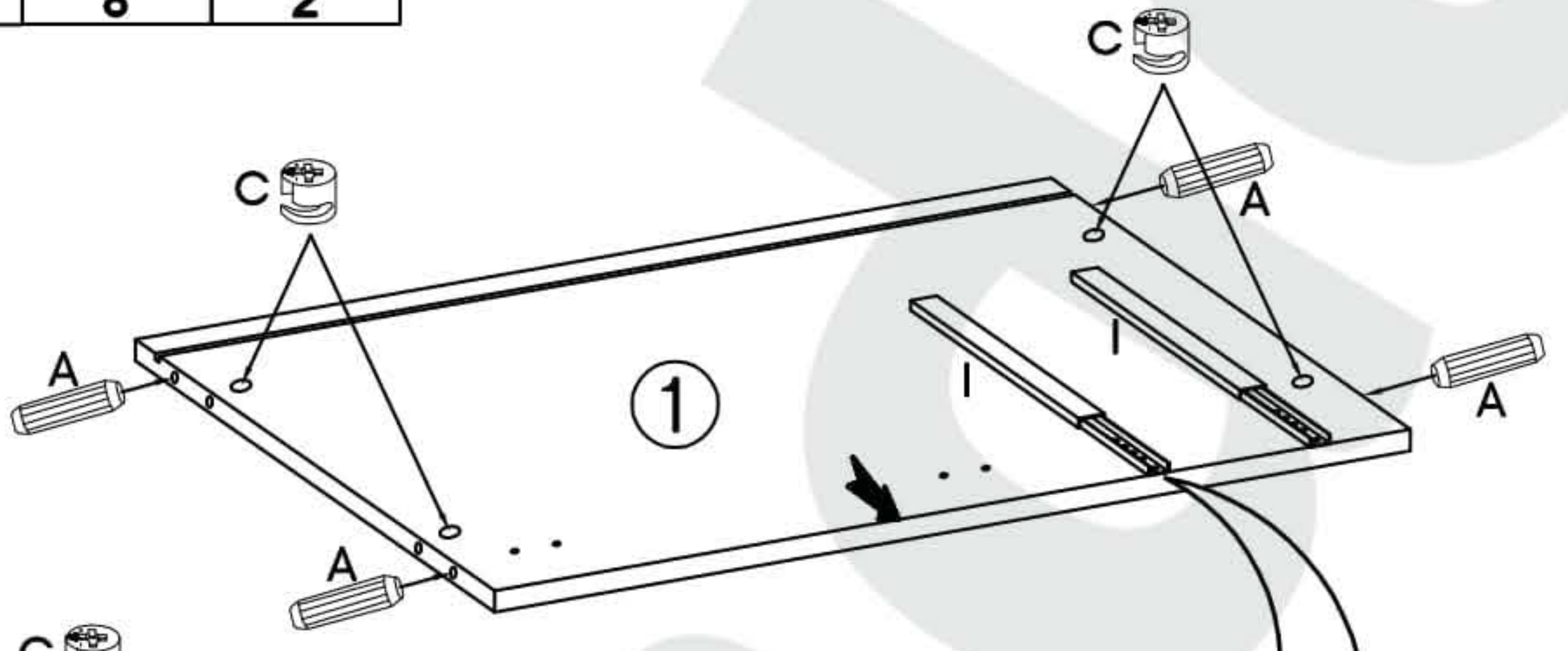


M	I	S13	P14	F10	U1	O7	L9	R2	L2	
8	2	4	5	5	4	1	1	8	5	
P5	H	G	A	D2	C	E	O1	J3	L	P7
9	4	4	20	12	12	8	1	4	8	5



# 1.



16x30mm A	L=20mm D2	15/12mm C	4.0x25mm P14	F10	5.0x13mm M	L=246/17mm I
12	12	12	5	5	8	2

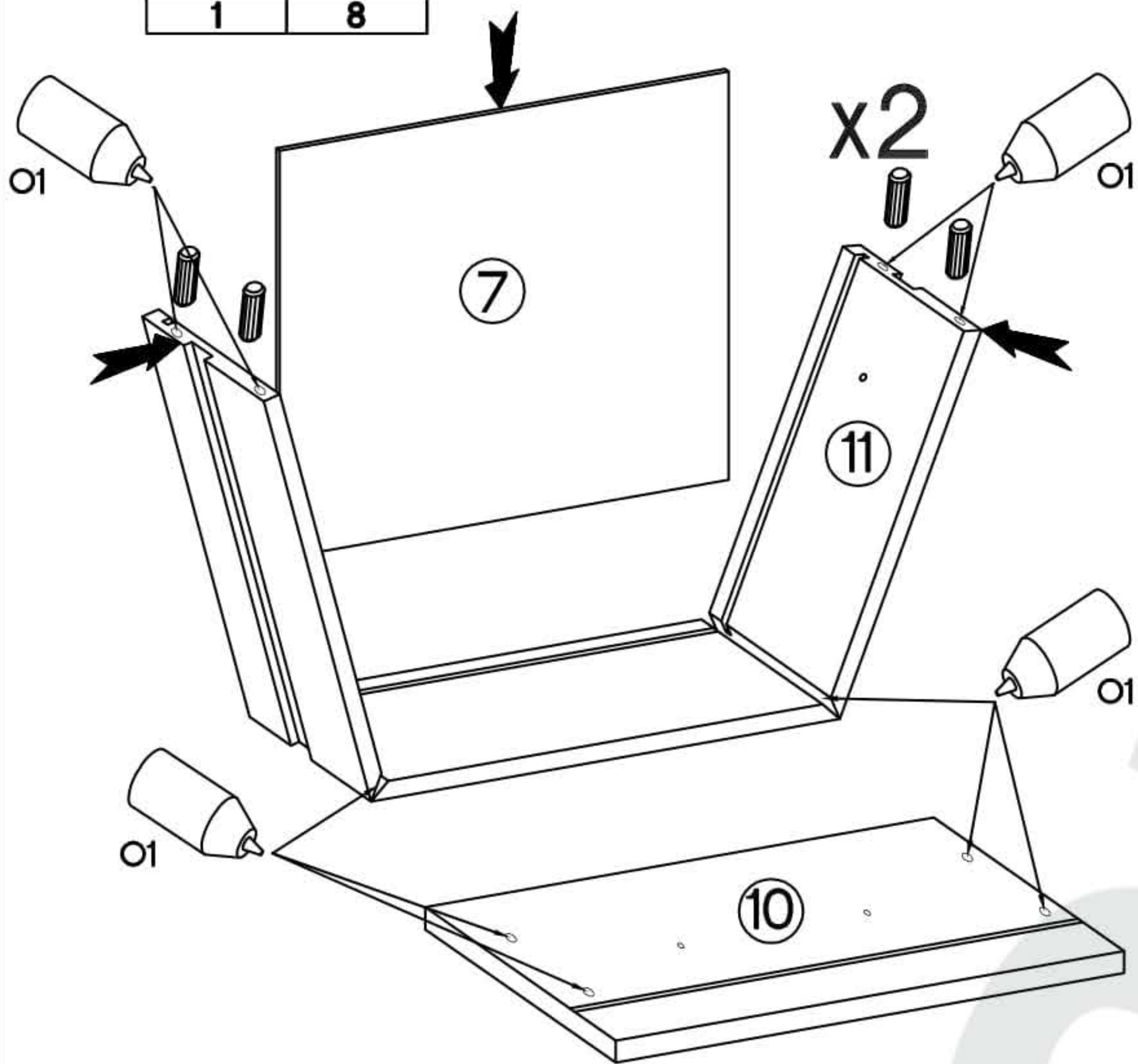


# MIKE 2



3/6

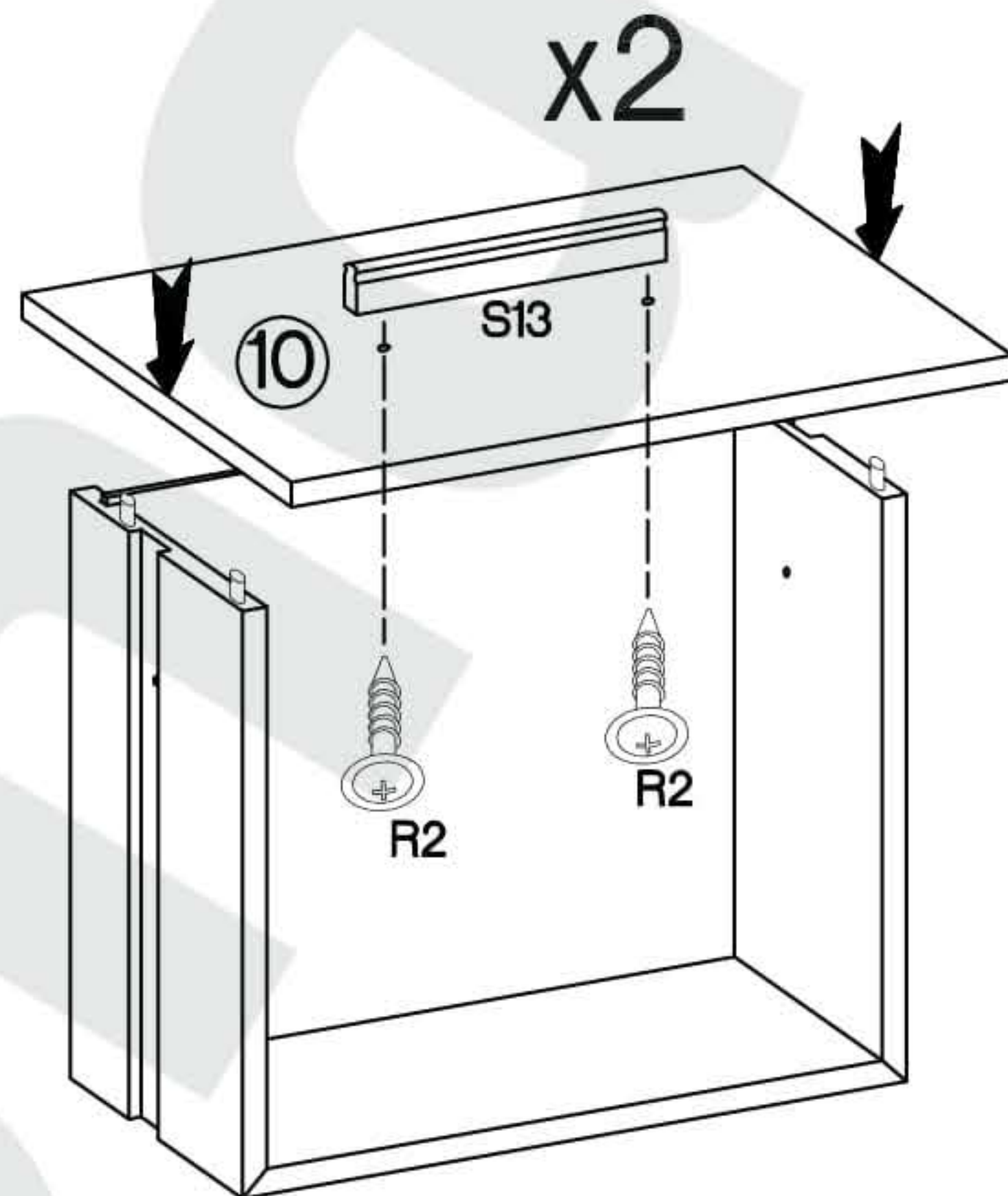
2.

	
O1	A
1	8

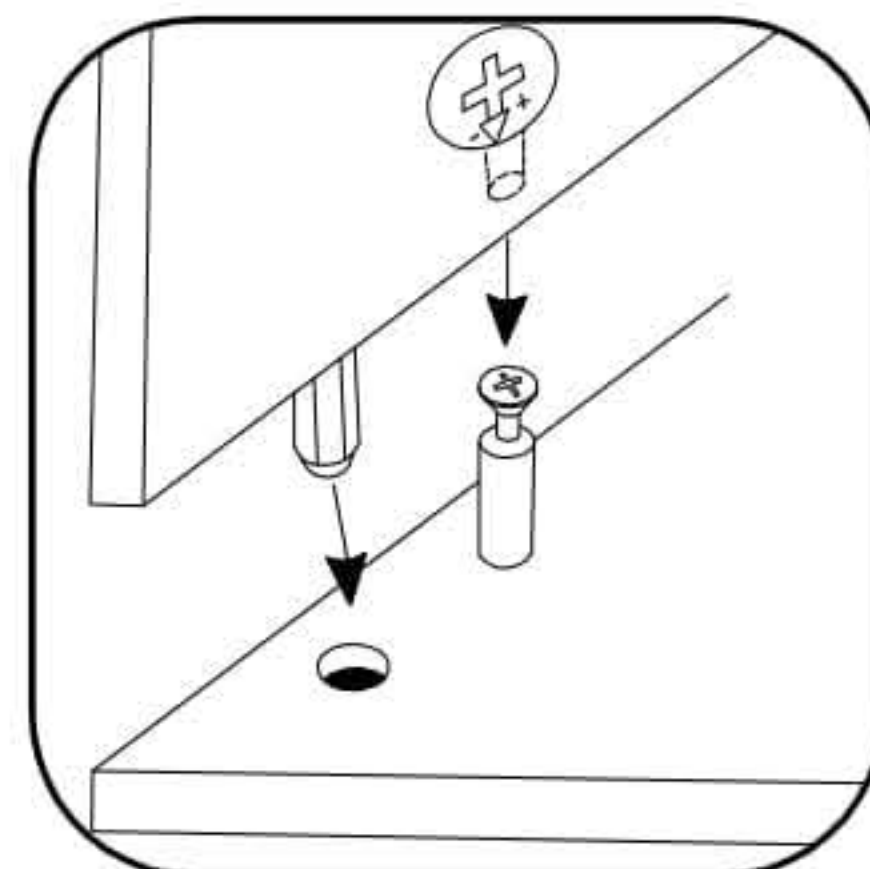
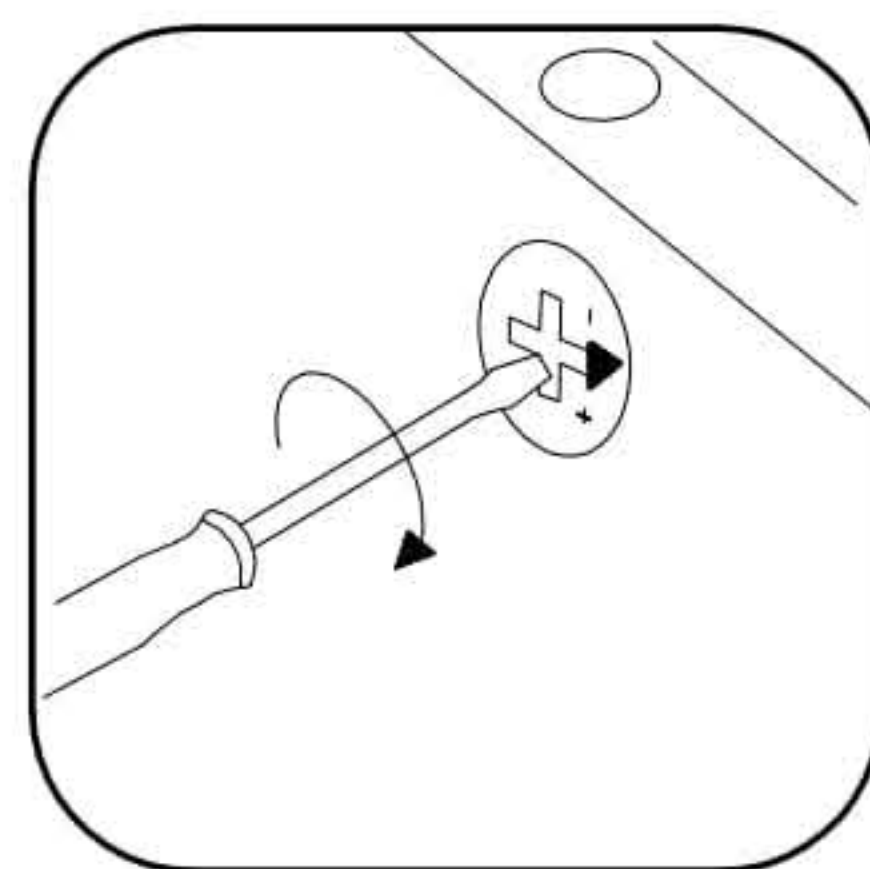
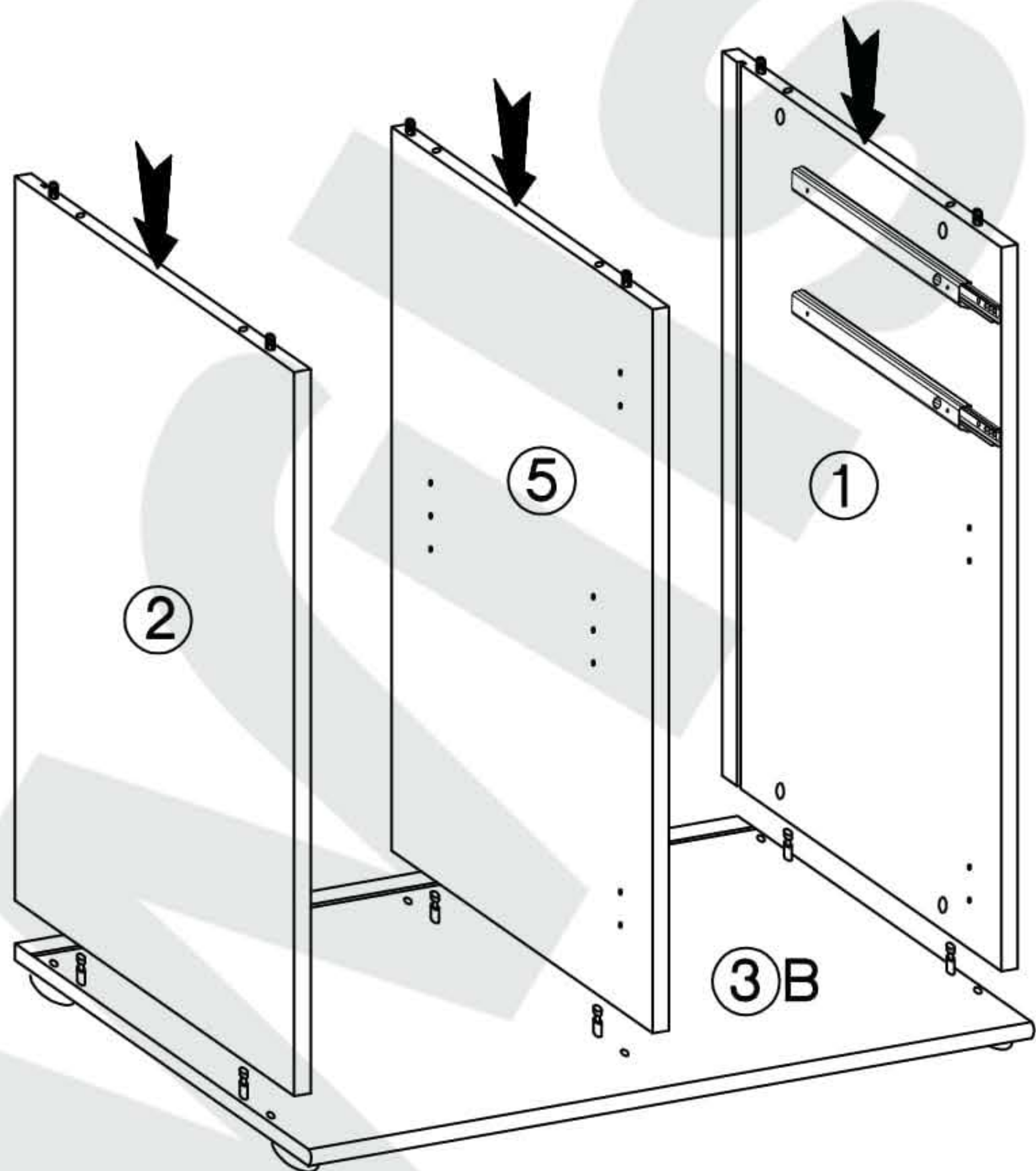


3.

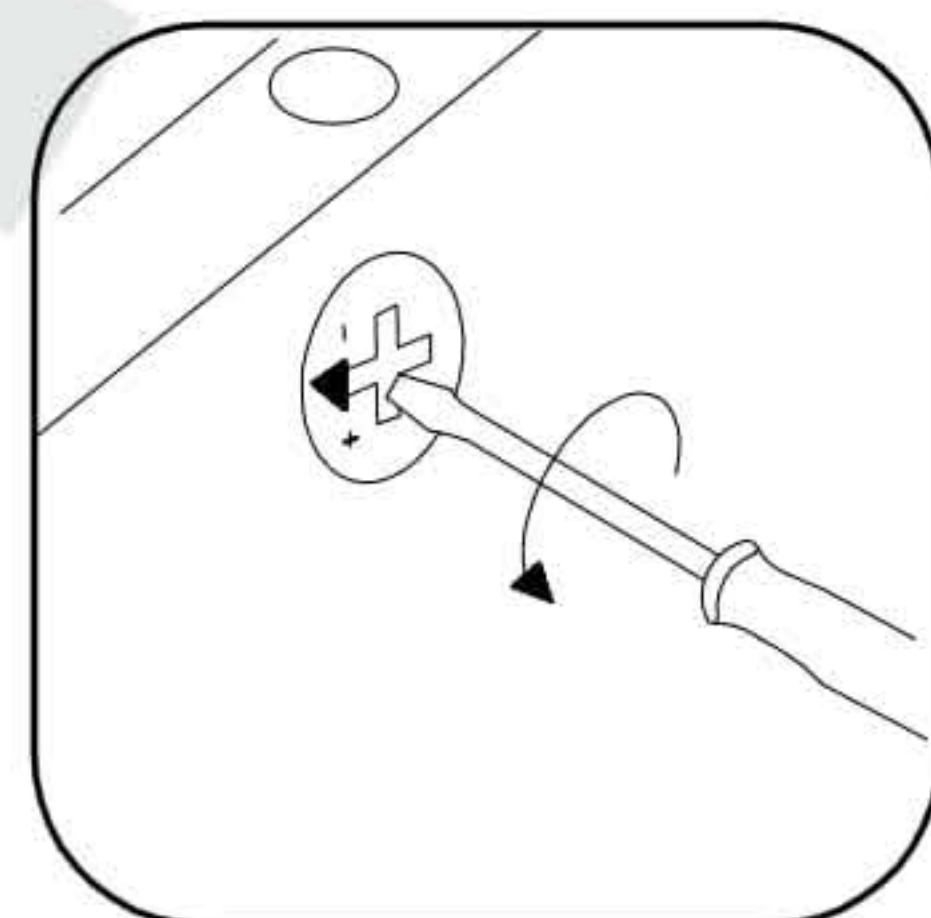
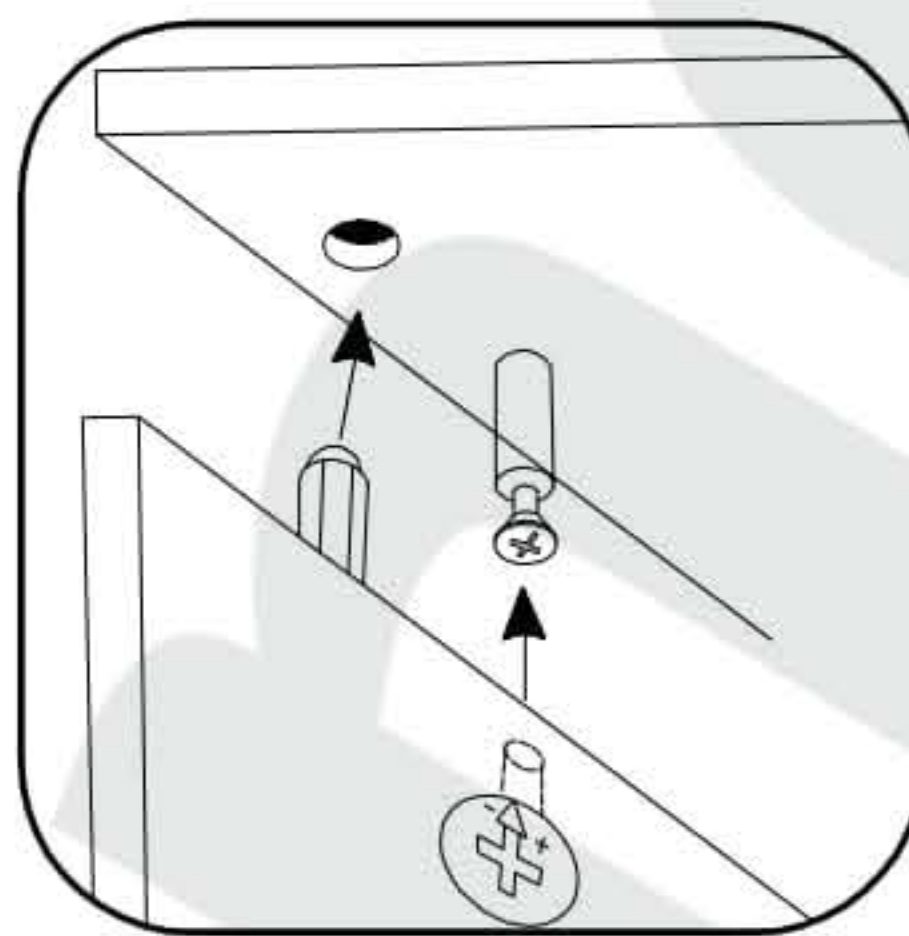
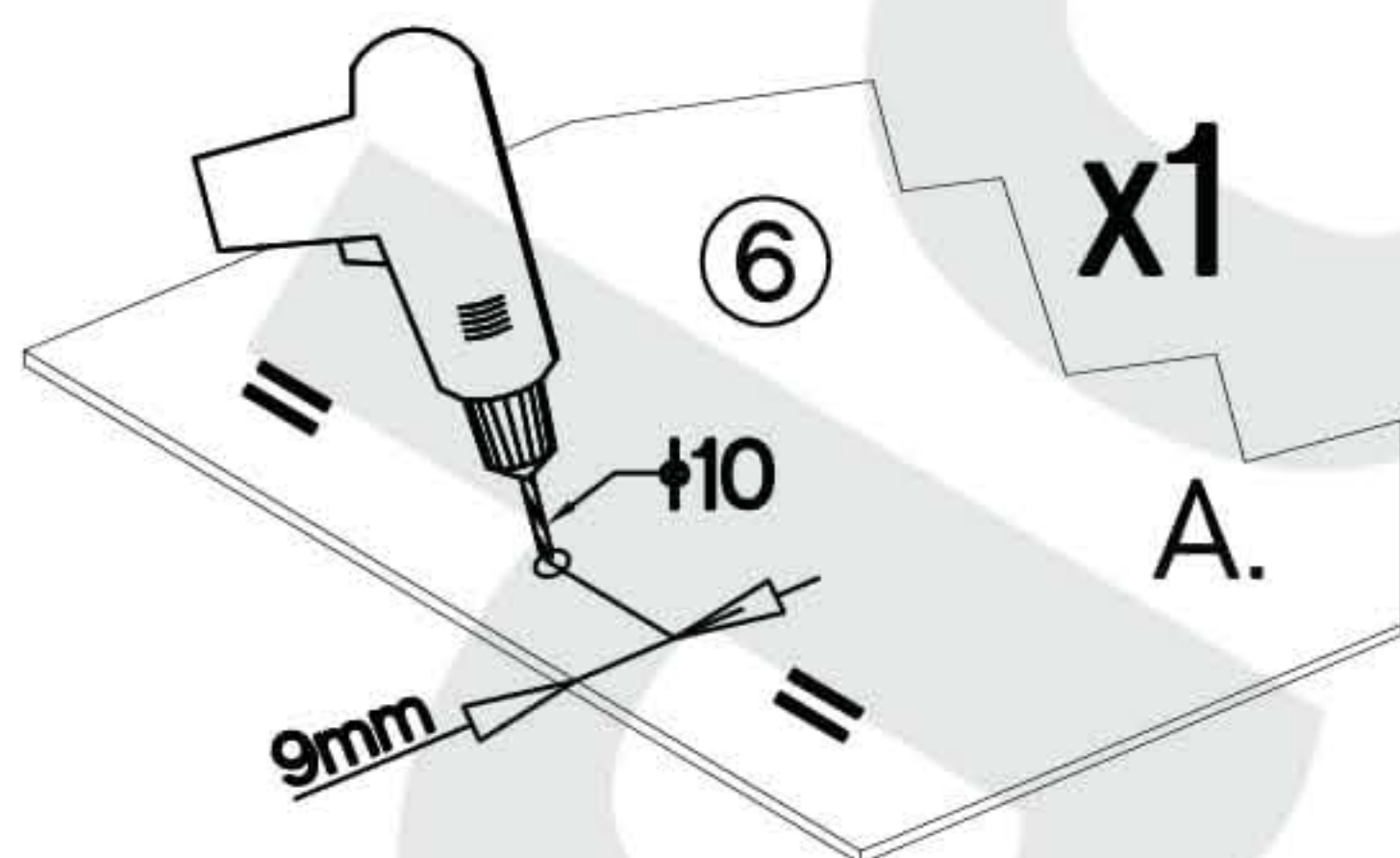
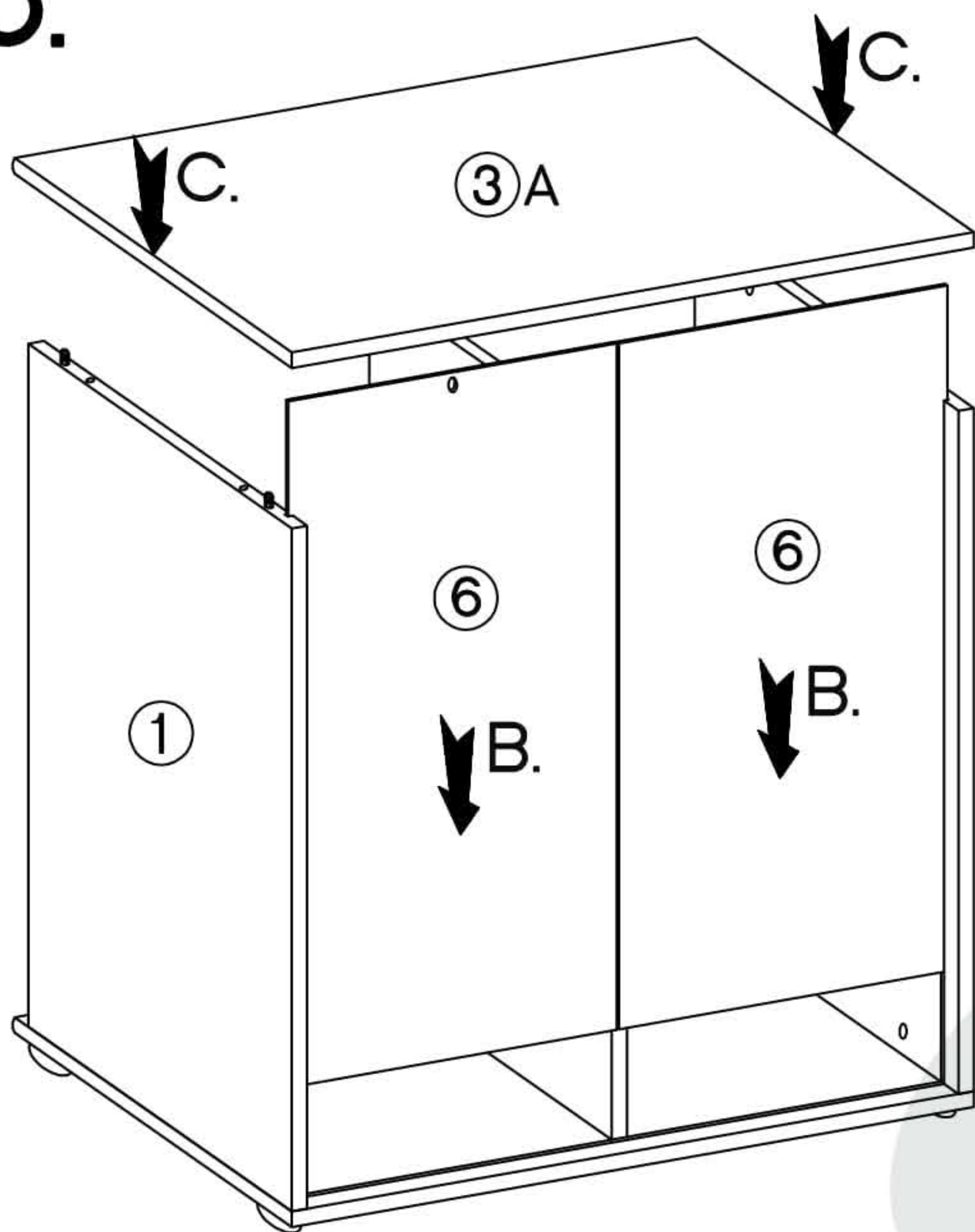
	
S13	R2
2	4



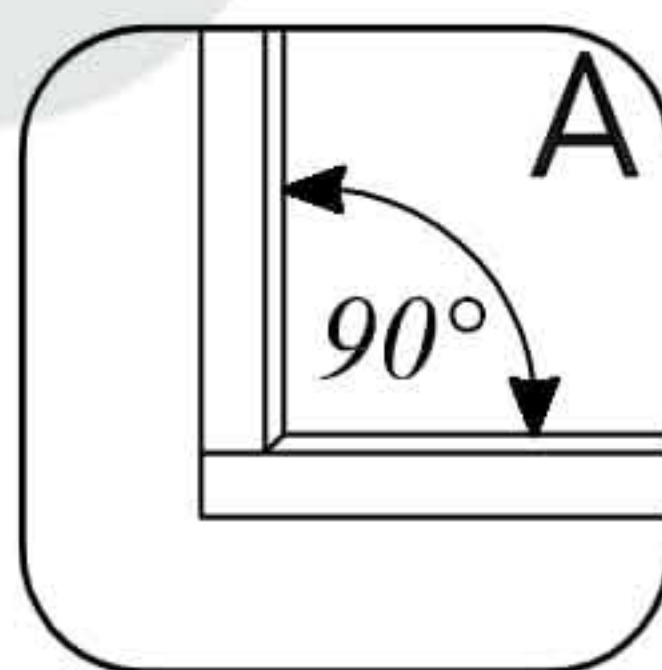
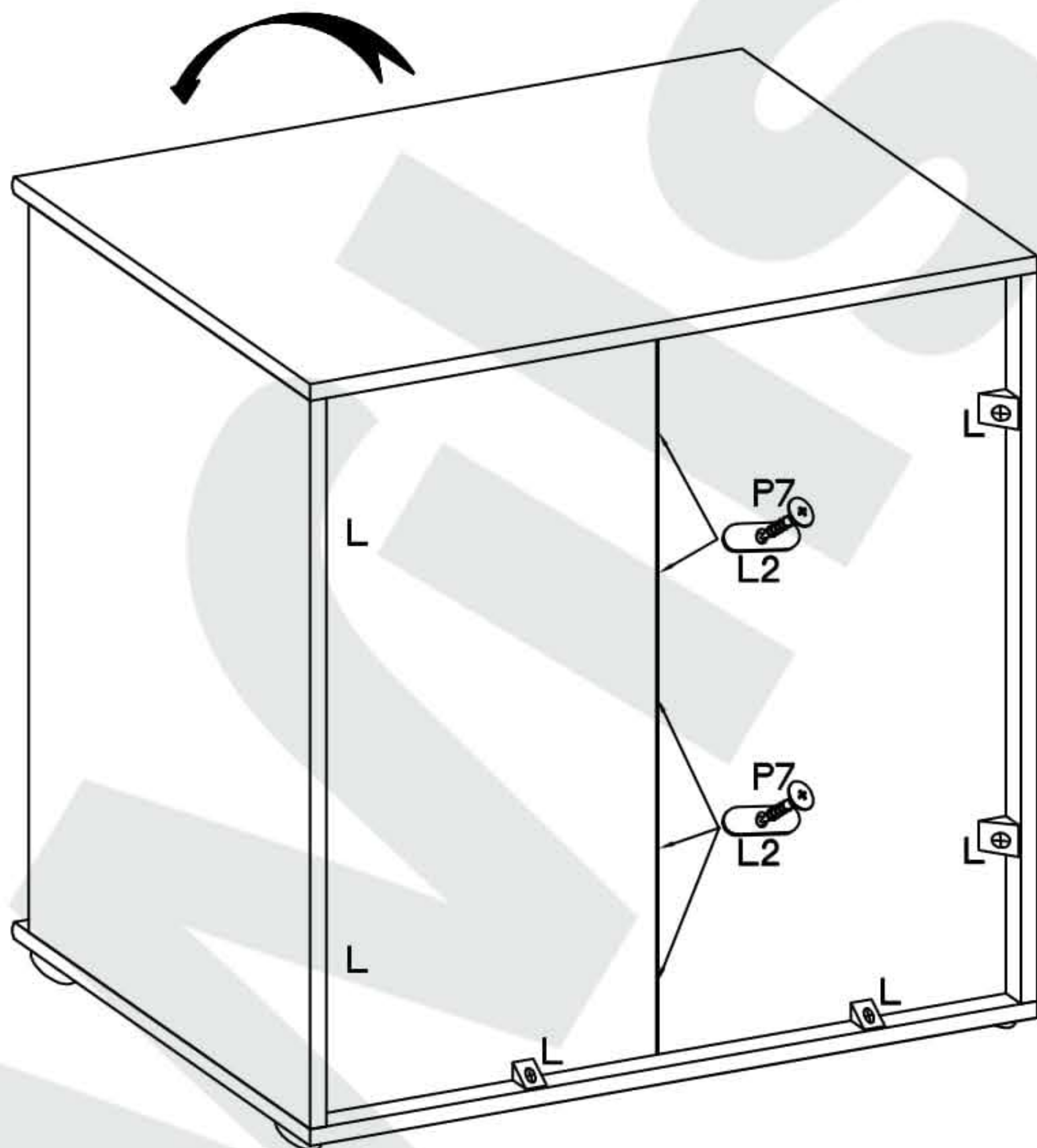
4.



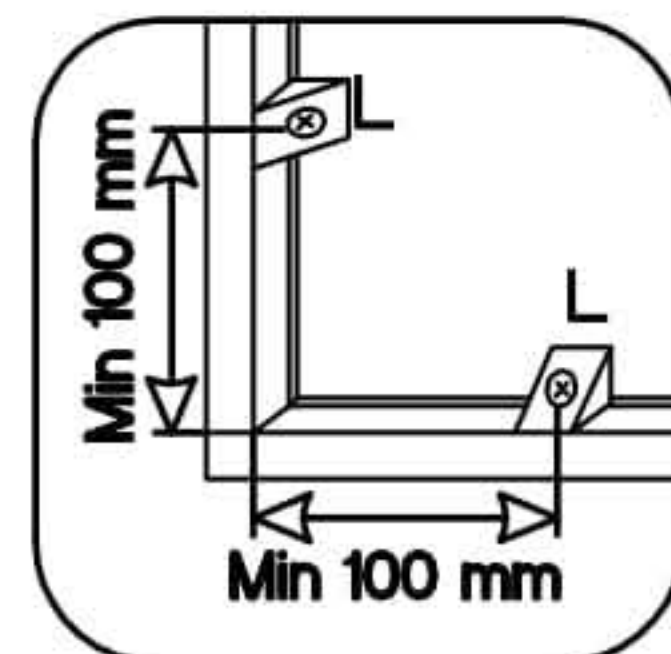
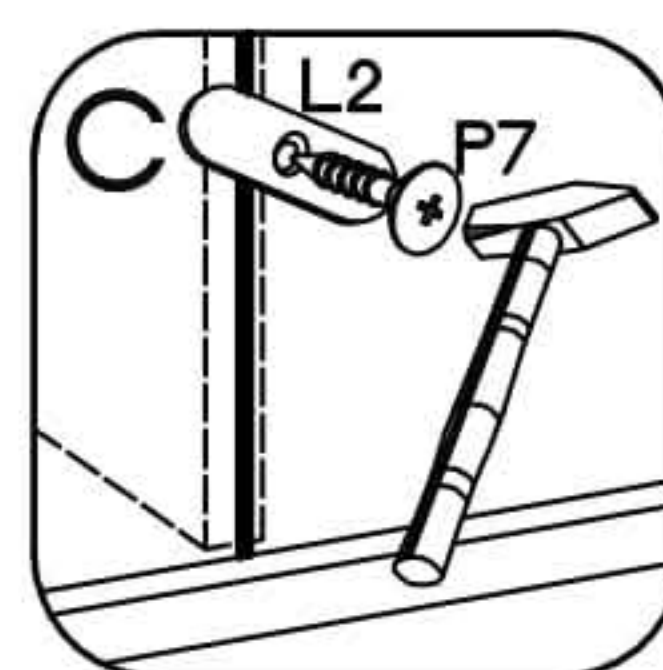
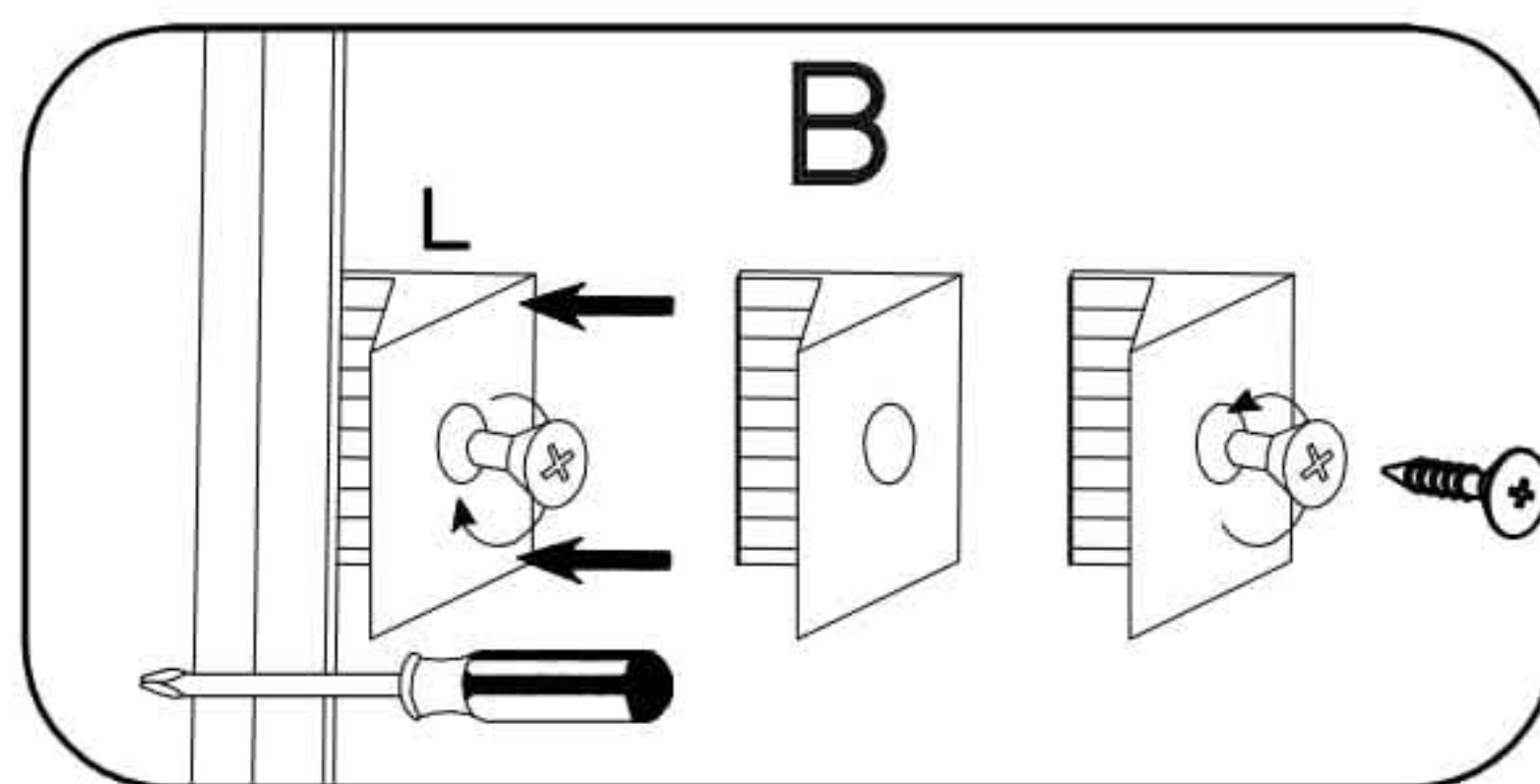
## 5.



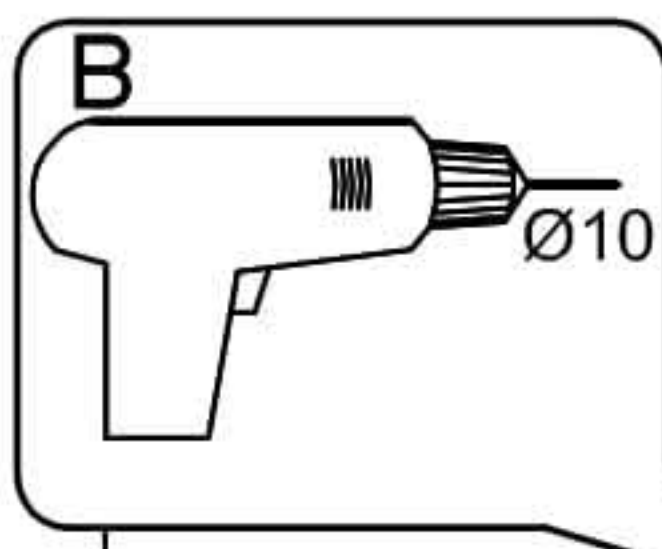
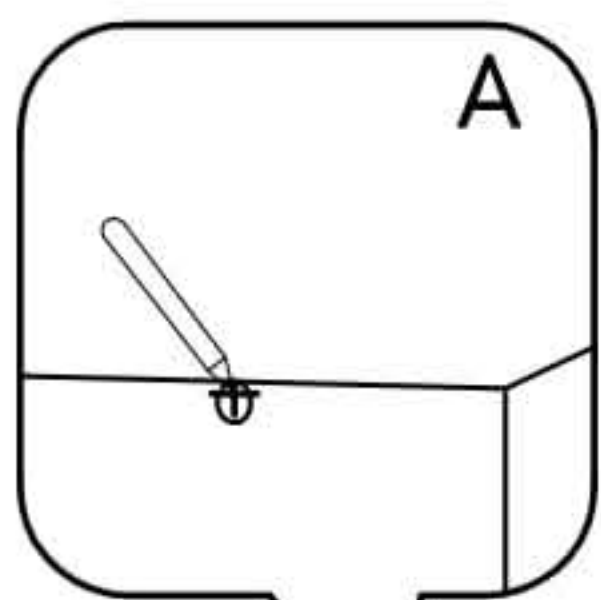
## 6.



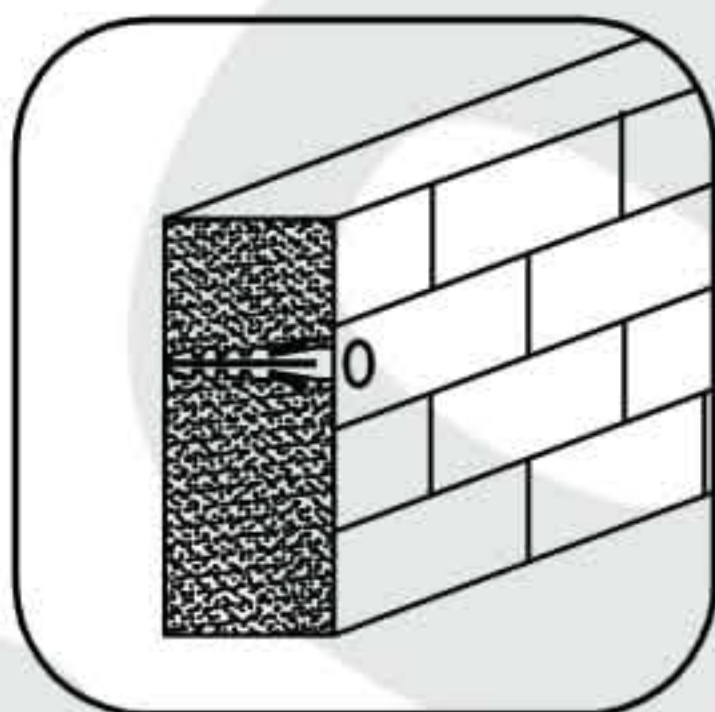
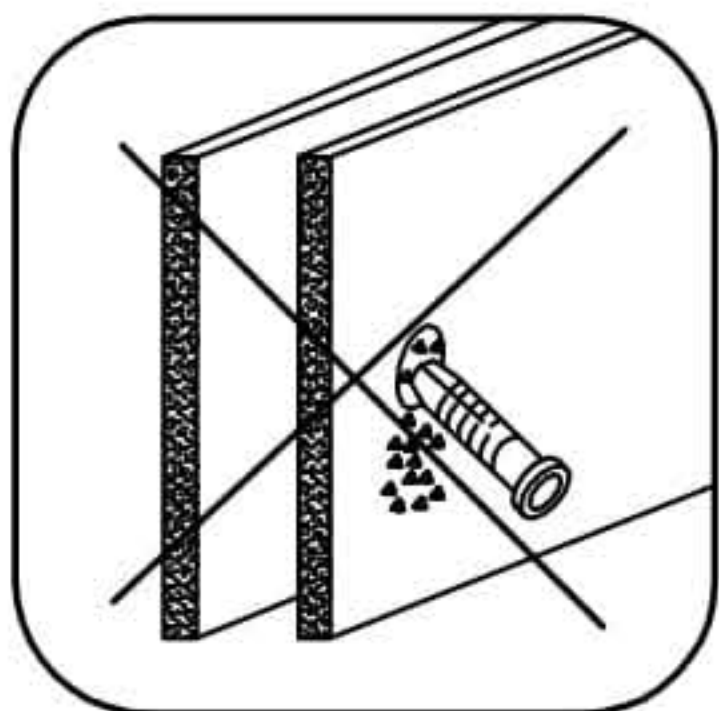
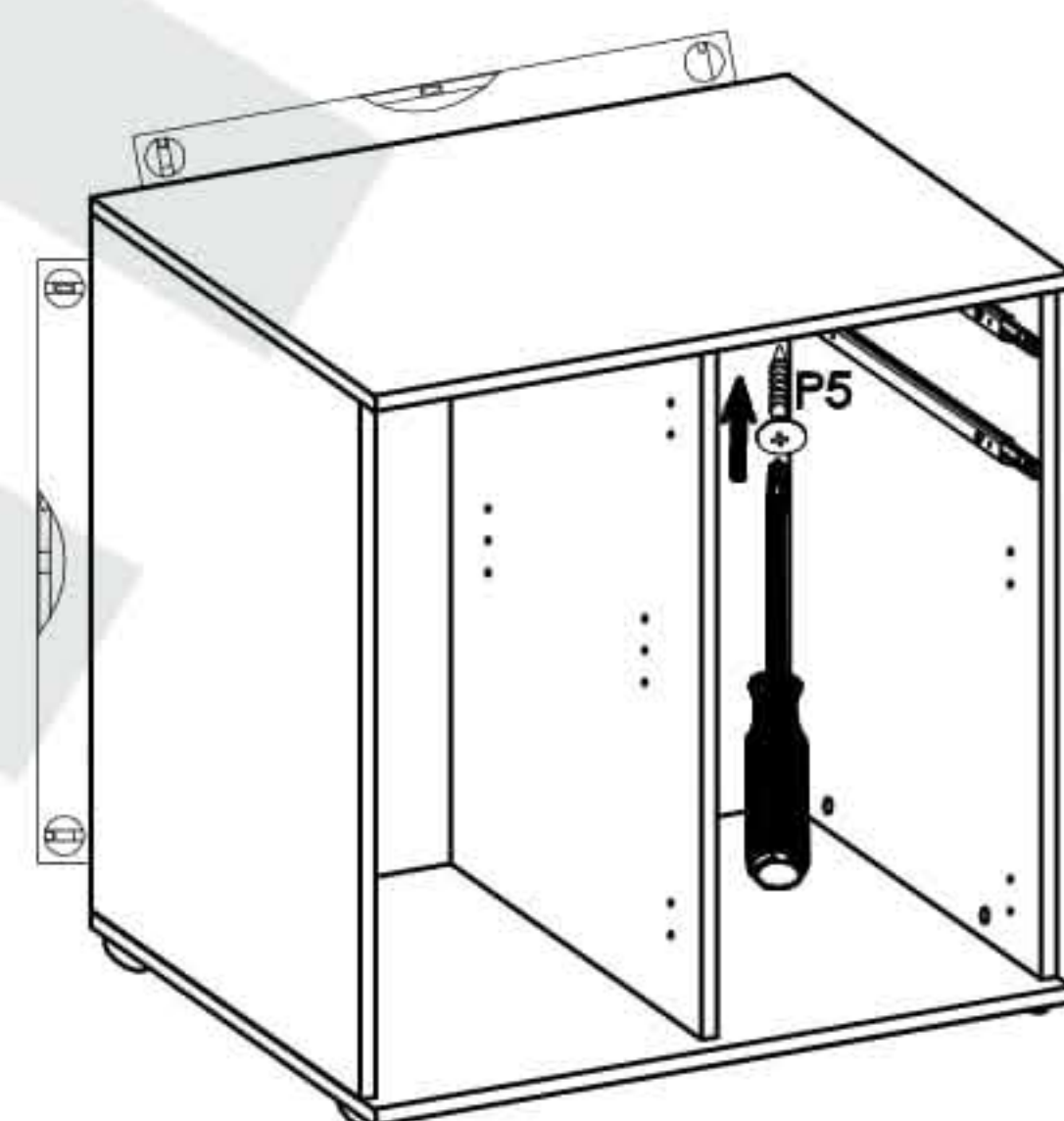
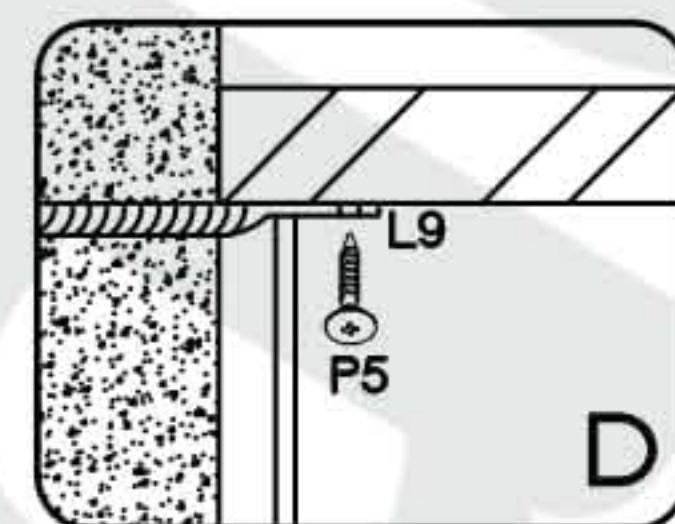
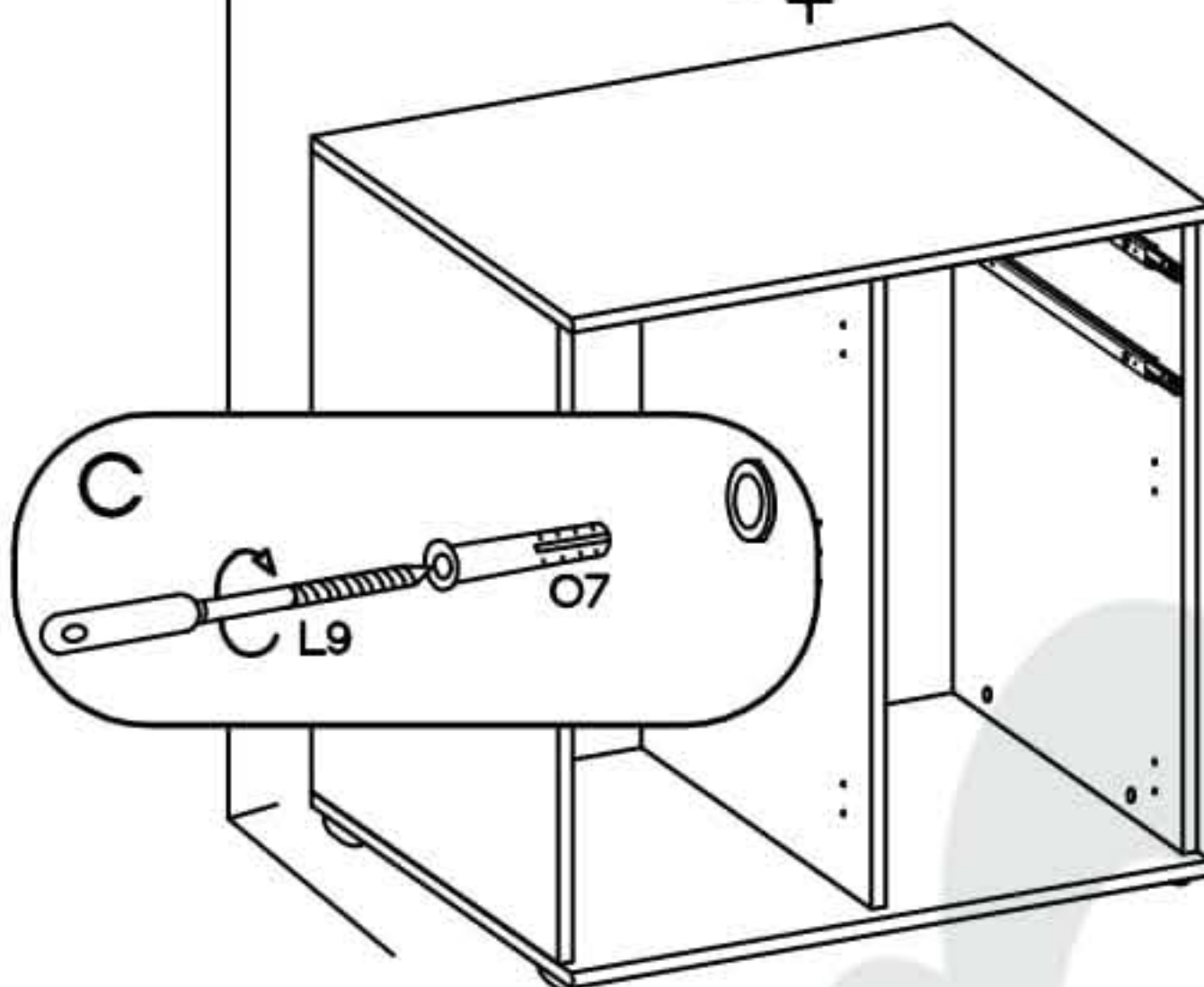
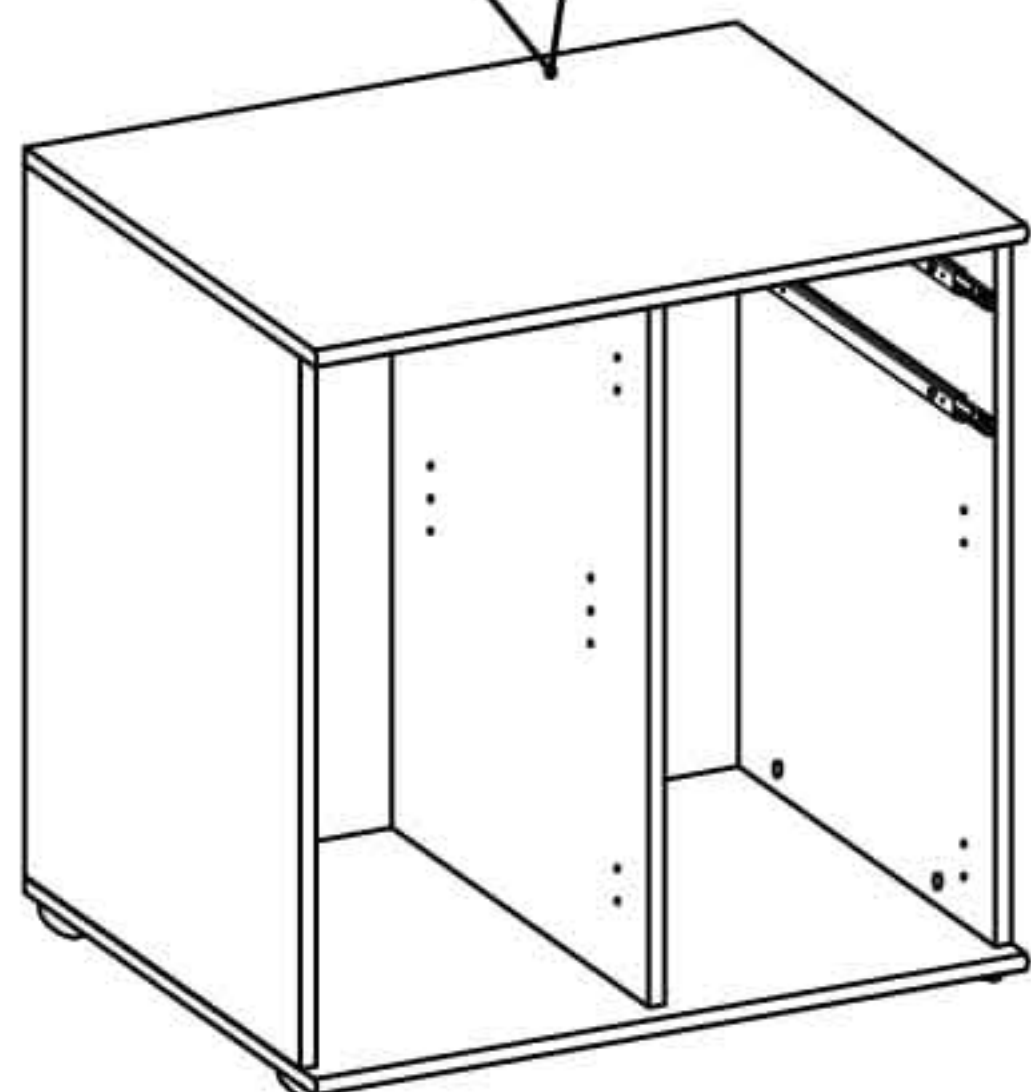
#3.0x20mm		
L2	P7	L
5	5	8



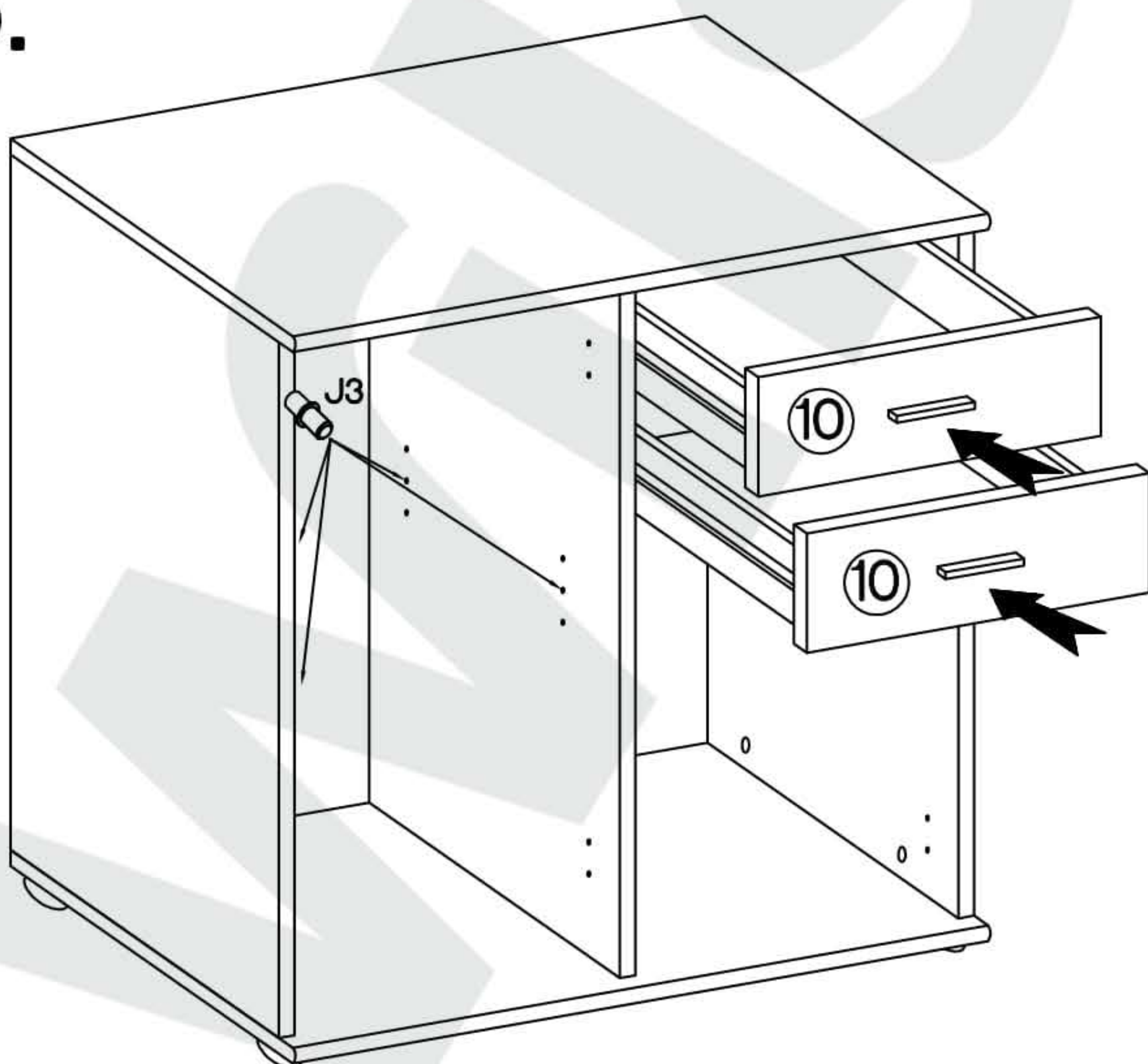
## 7.



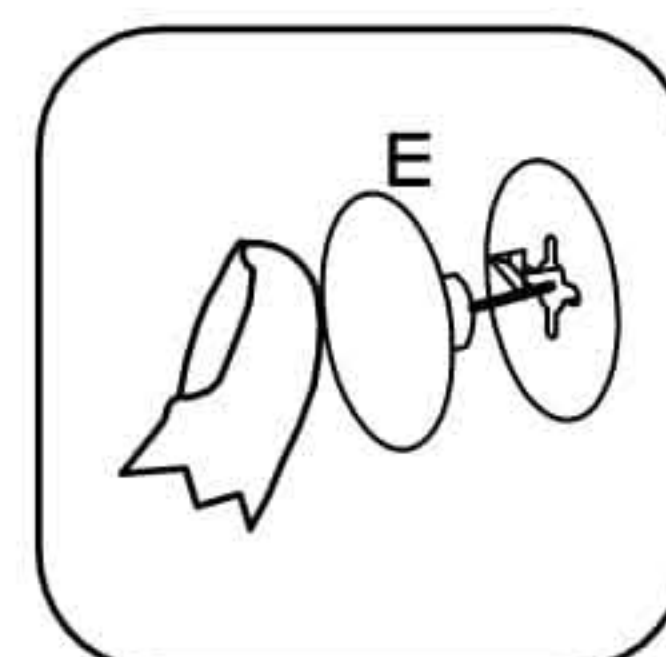
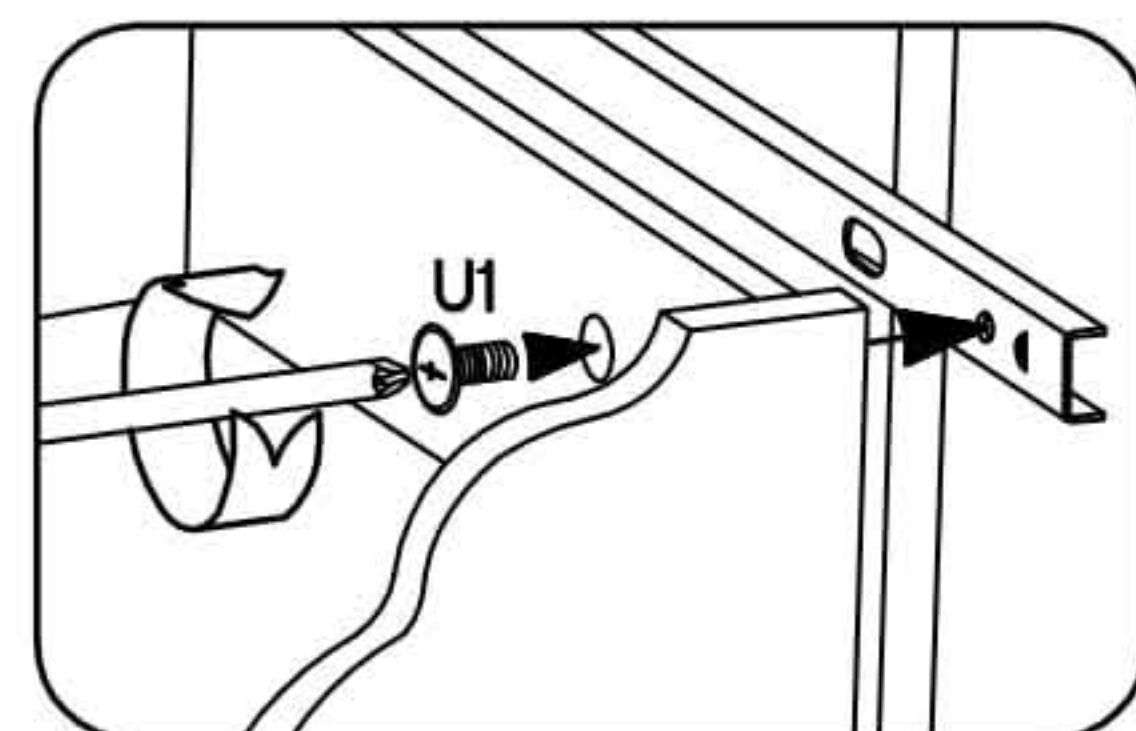
 P5 1	 O7 1	 L9 1
-------------	-------------	-------------




## 8.

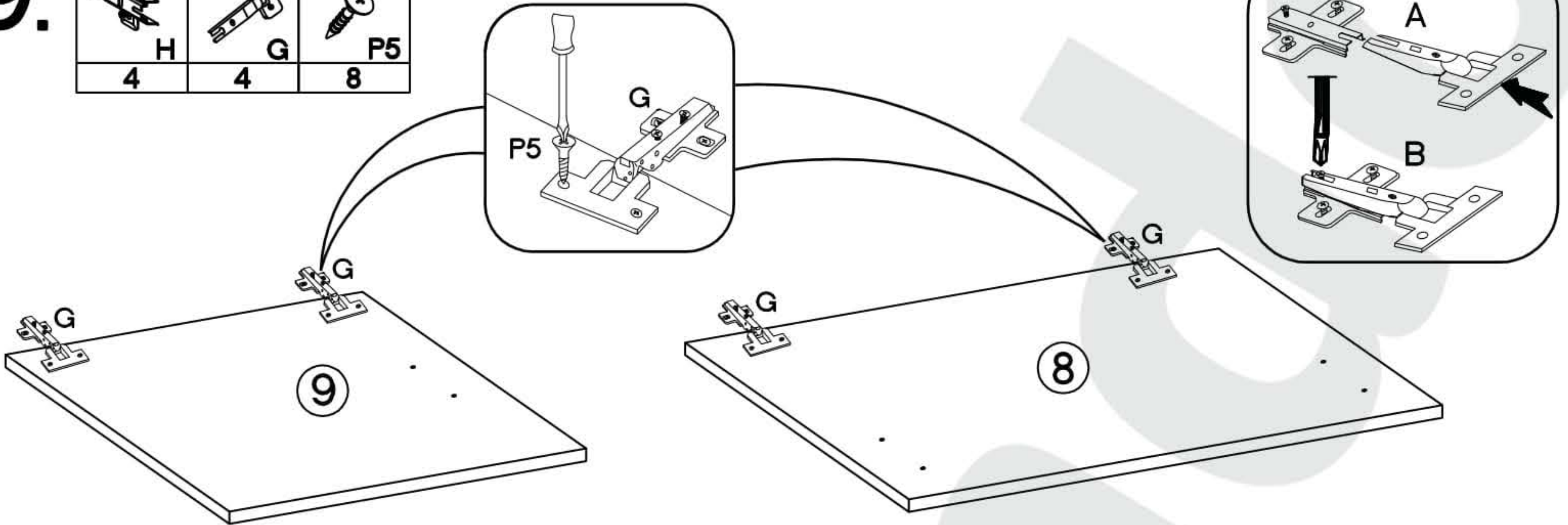


 E 8	 J3 4	 U1 4
------------	-------------	-------------

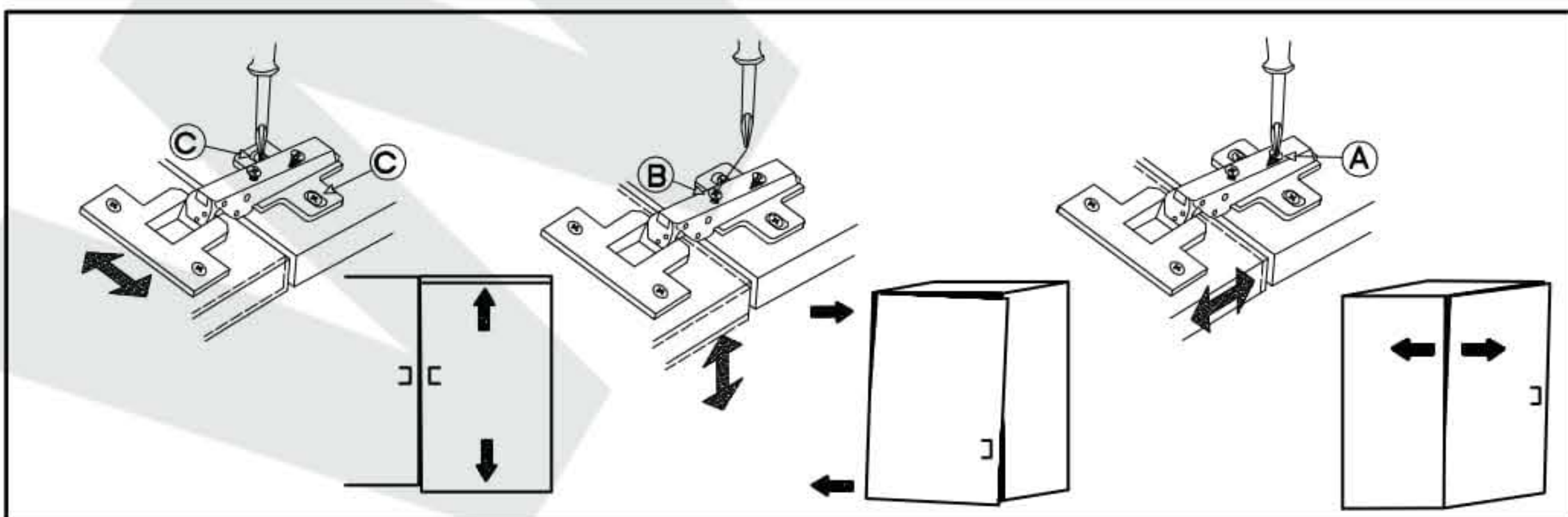
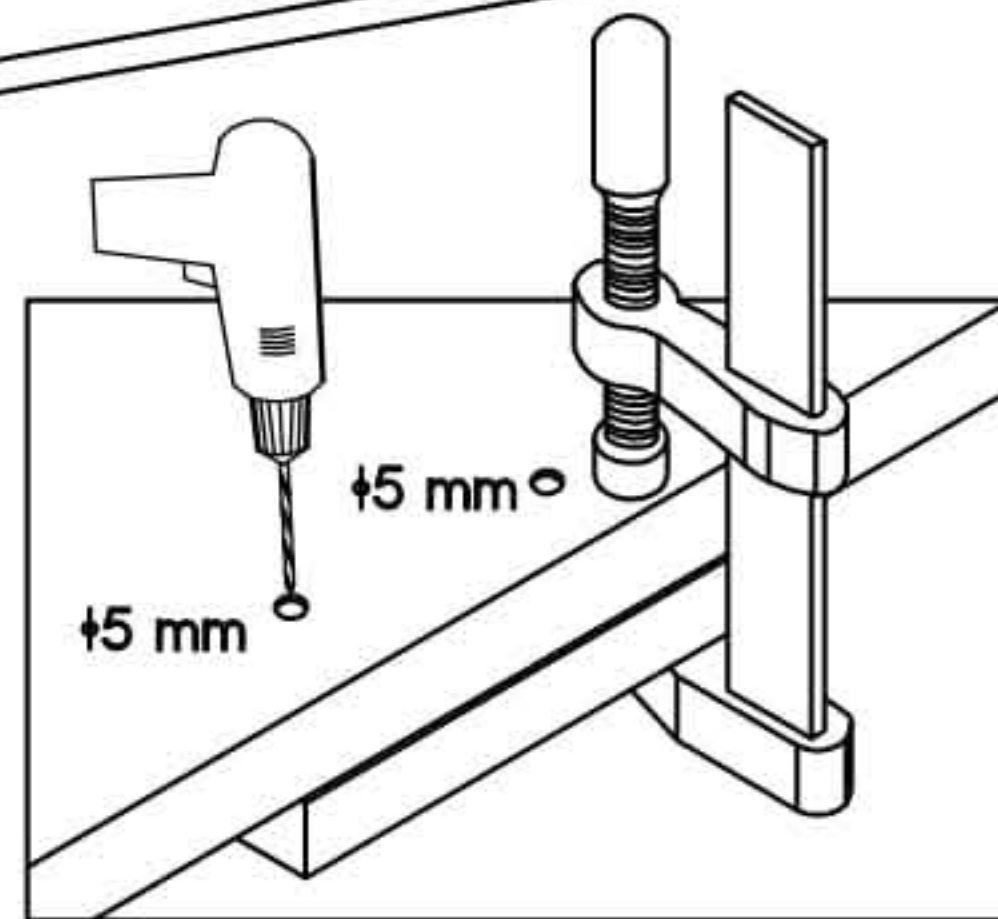
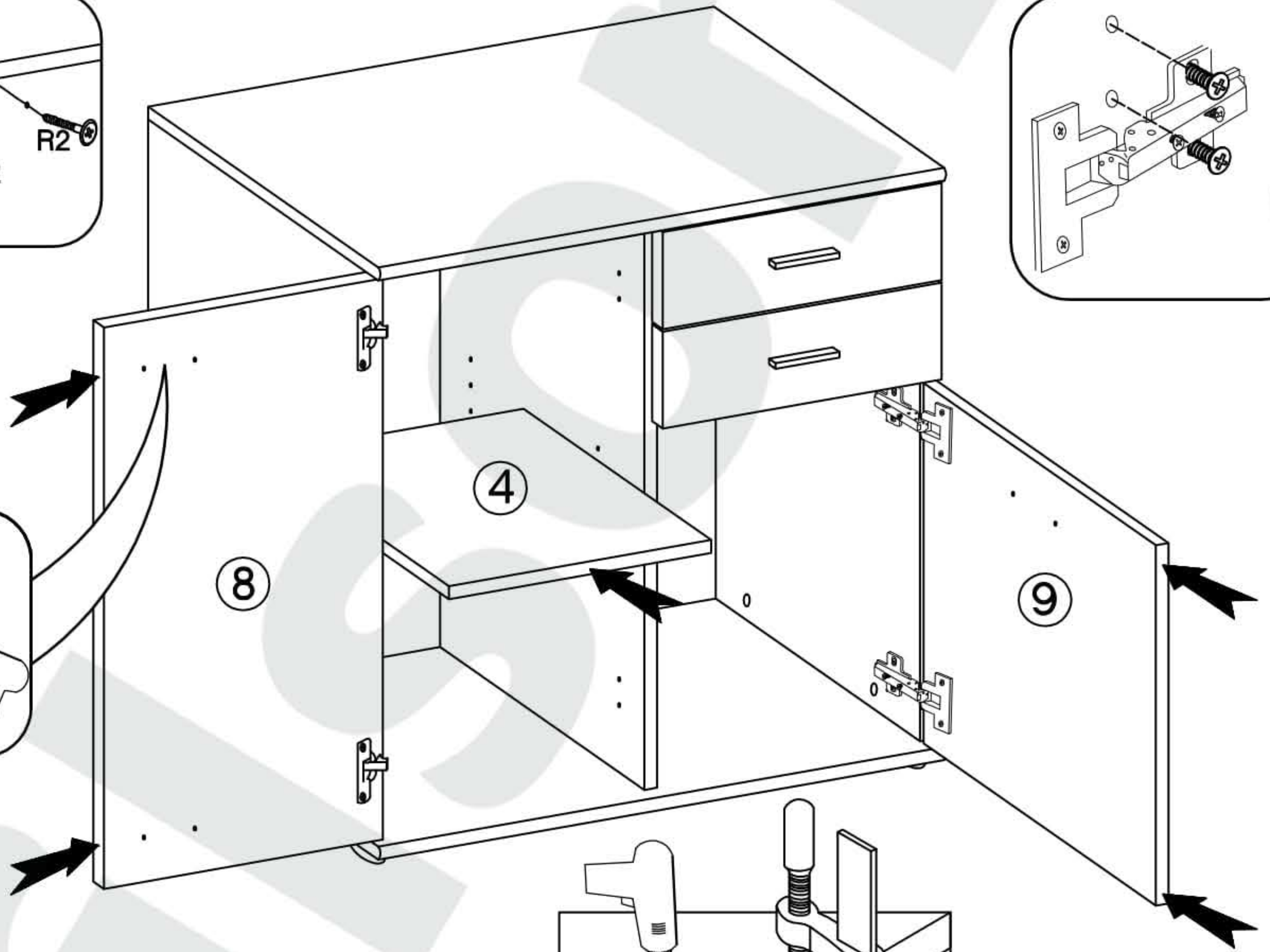
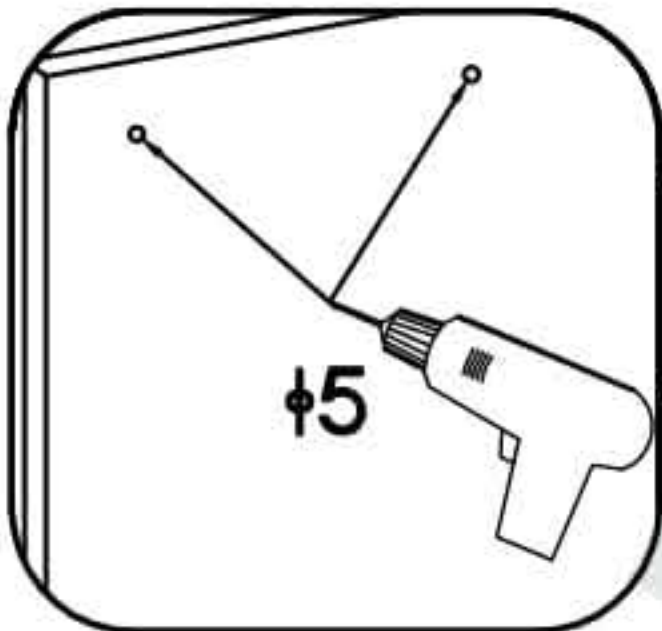
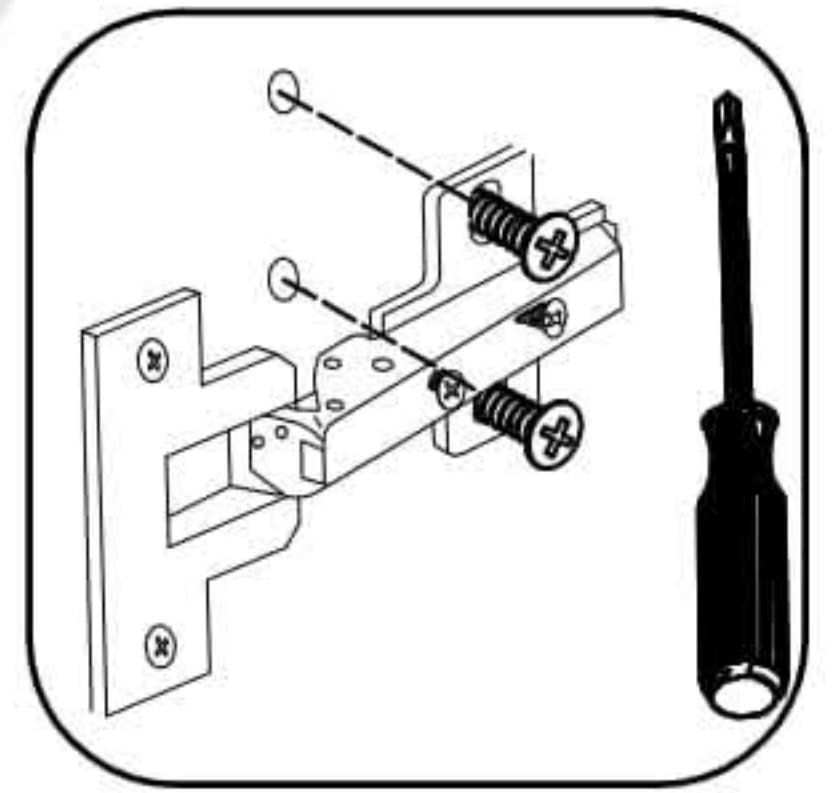
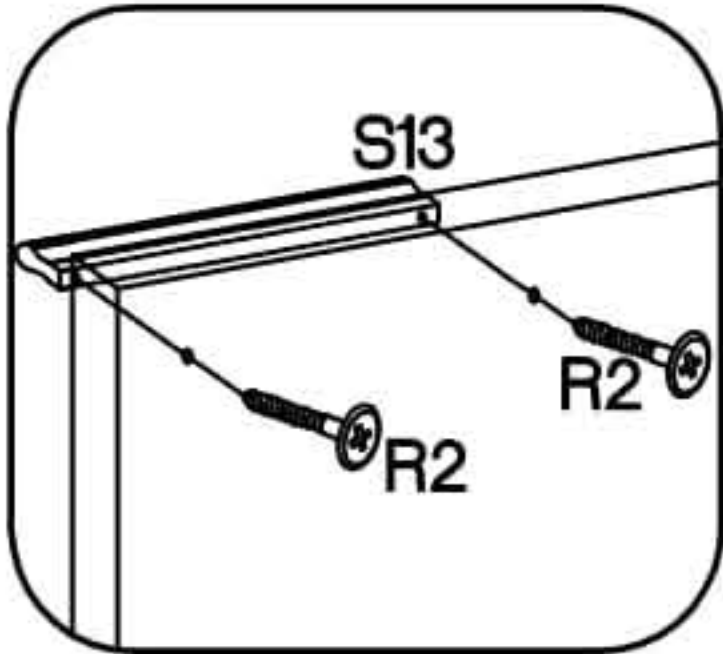


## 9.

	$\pm 35/0\text{mm}$	$\pm 3.5 \times 13\text{mm}$
H	G	P5
4	4	8



## 10.



L=64 mm	$\pm 4.0 \times 30\text{mm}$
S13	R2
2	4